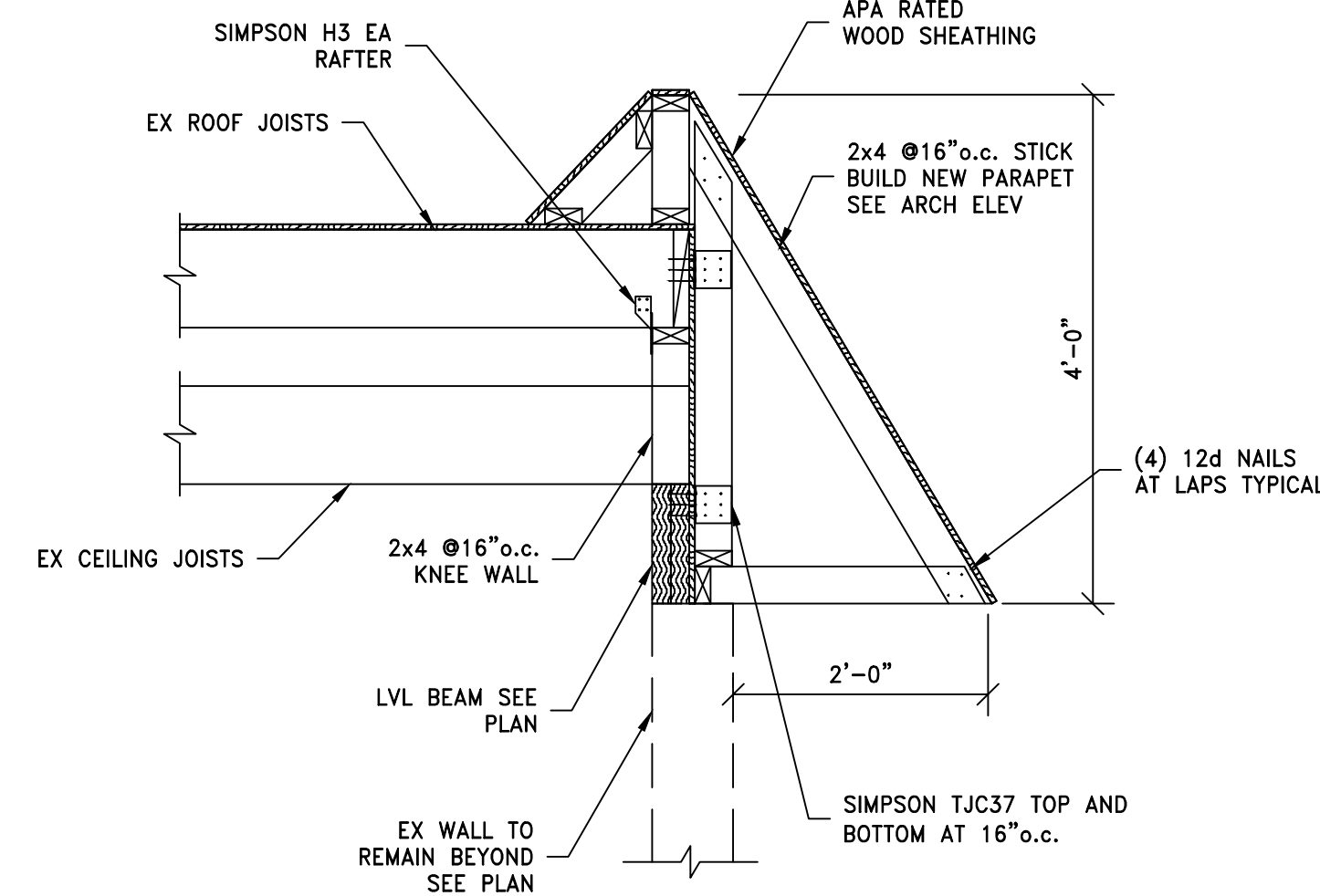
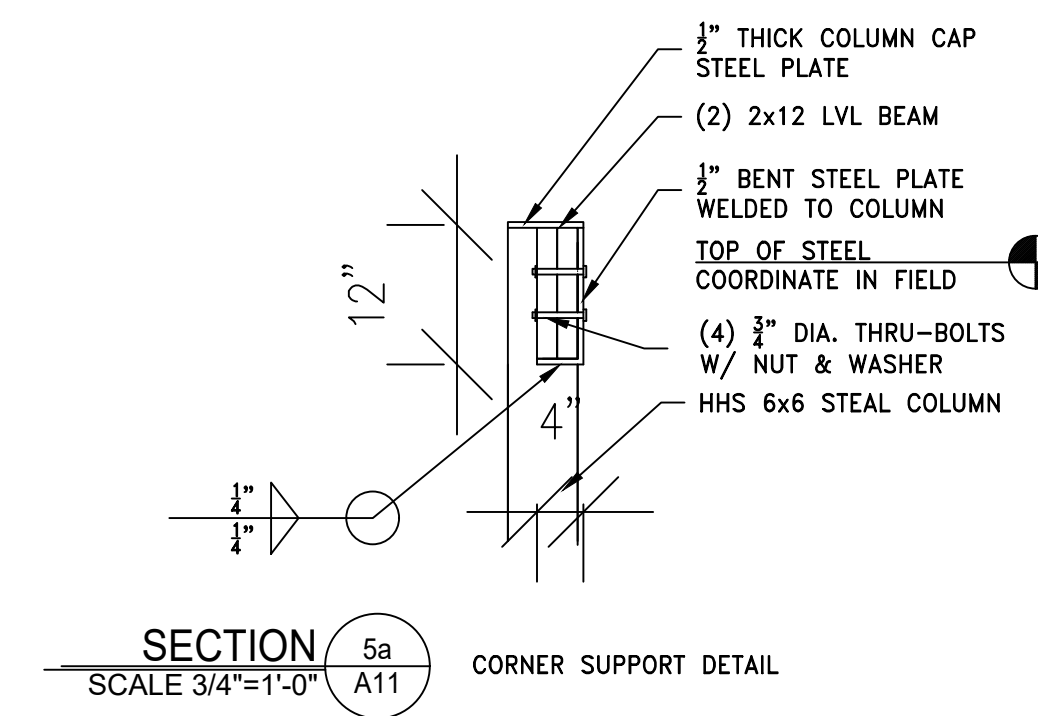


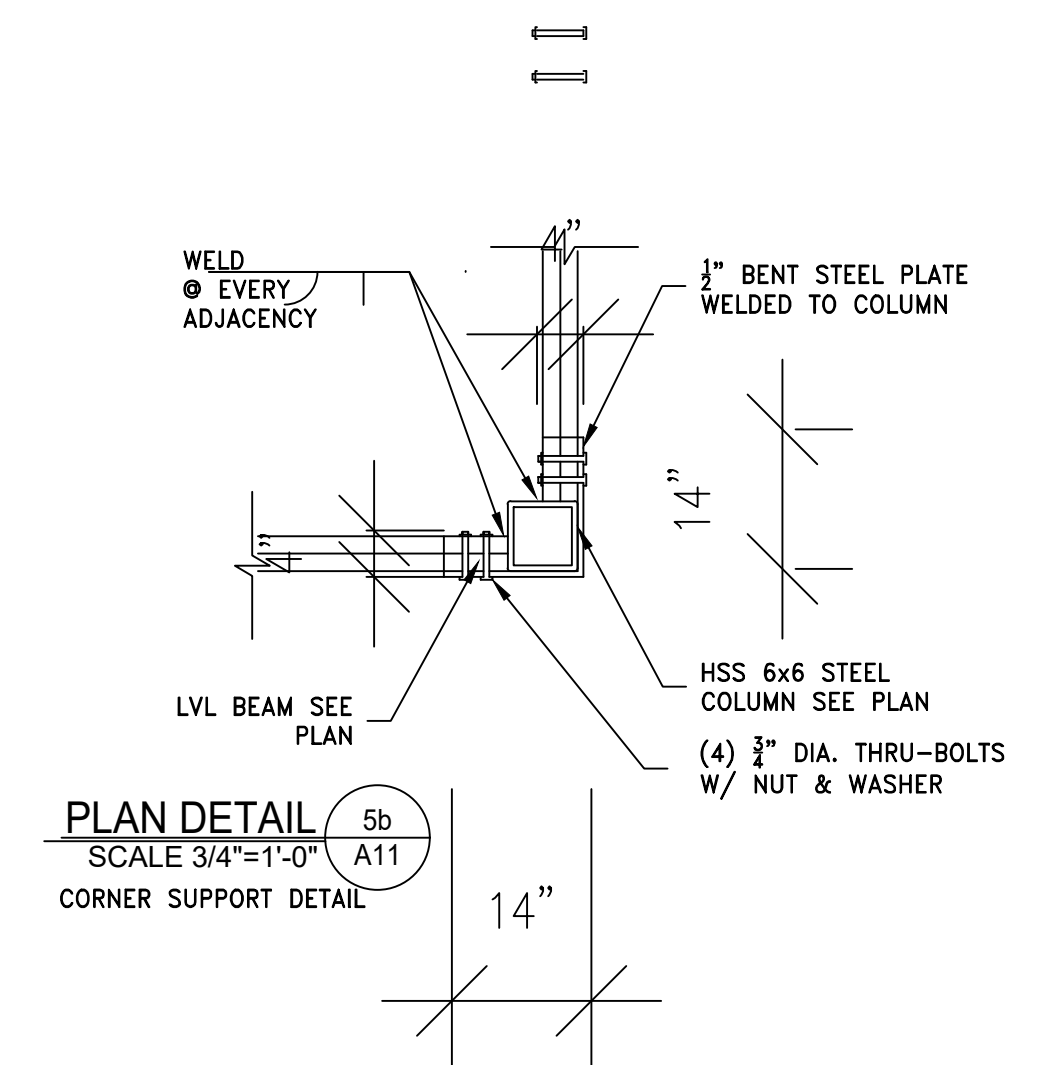
SECTION 1 ROOF RAFTER "SISTER" DETAIL  
SCALE 3/4"=1'-0" A11 SEE A10



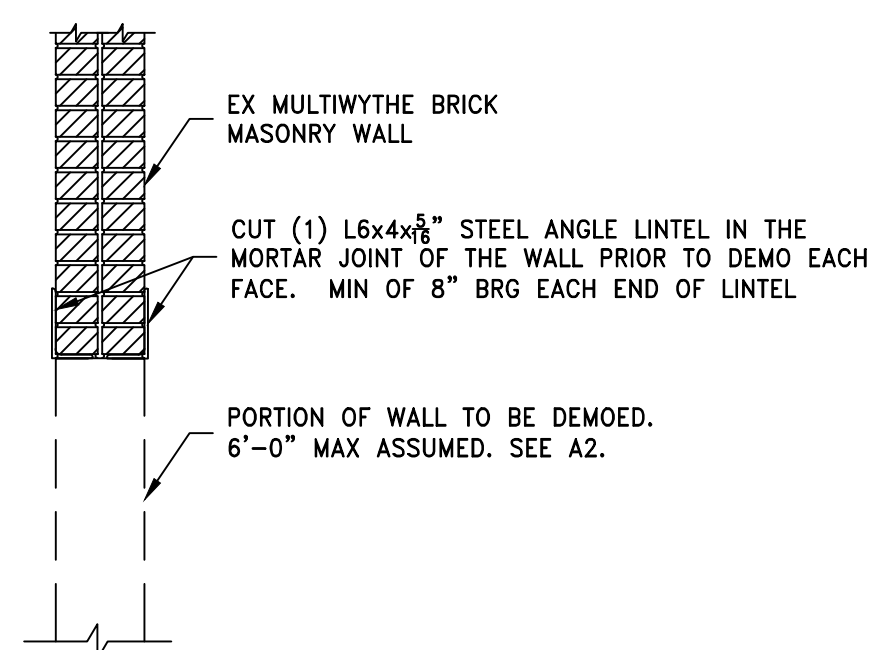
SECTION 3 NEW ROOF OVERHANG DETAIL  
SCALE 3/4"=1'-0" A11 CORNER



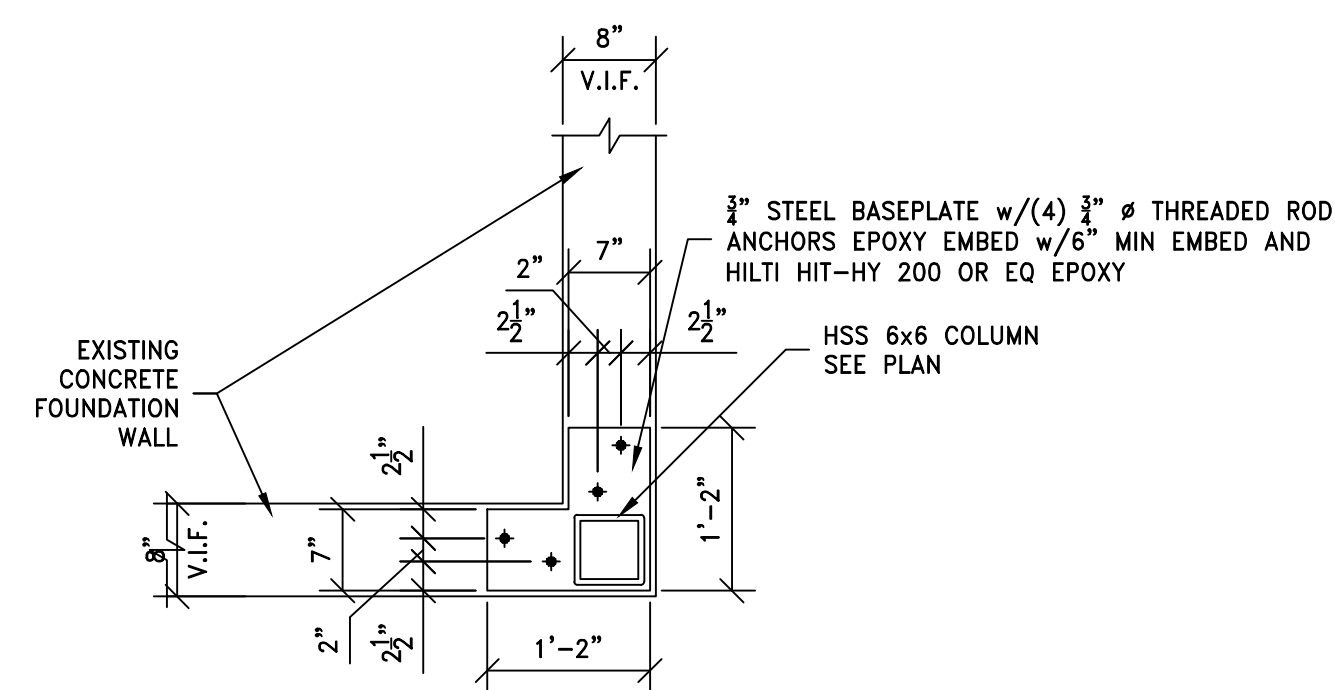
SECTION 5a CORNER SUPPORT DETAIL  
SCALE 3/4"=1'-0" A11



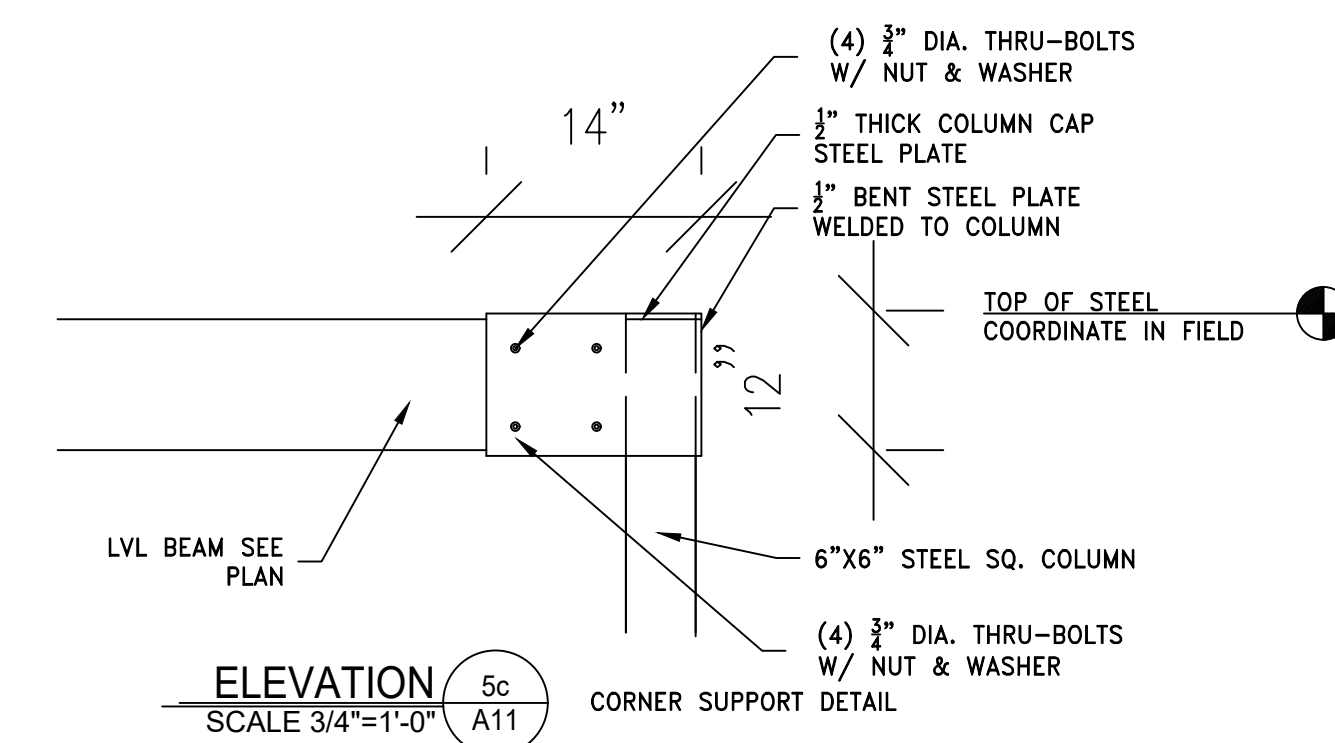
PLAN DETAIL 5b CORNER SUPPORT DETAIL  
SCALE 3/4"=1'-0" A11



SECTION 2 OPENING DETAIL BETWEEN BAYS 3104 & 3106  
SCALE 3/4"=1'-0" A11 DOOR #11



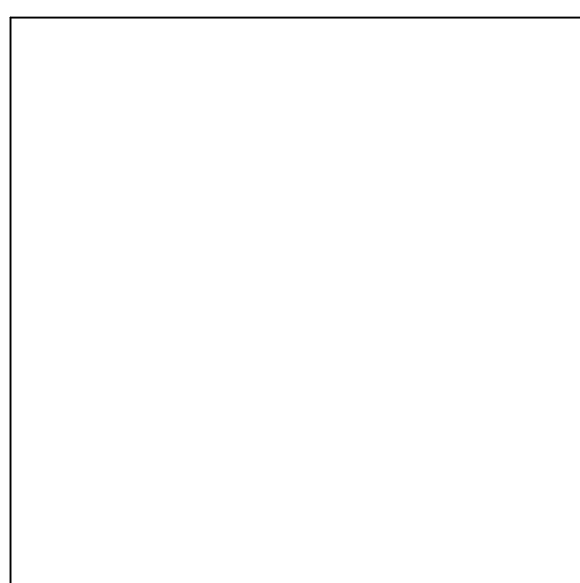
PLAN DETAIL 4 HSS BASEPLATE  
SCALE 3/4"=1'-0" A11



ELEVATION 5c CORNER SUPPORT DETAIL  
SCALE 3/4"=1'-0" A11

# 1 DETAILS AT CORNER

#	Issues & Revisions	Date



Owner  
**KB Partners LLC**  
2155 West 8th Street  
Cinti., Ohio 45204  
tel: 513-244-8023  
email: bill.b@nmmsg.com

**VERACRUZ RESTAURANT**  
3100-06-08 PRICE AVENUE, CINCINNATI, OH 45205

BUILDING PERMIT #: 2020P10651  
HEALTH CONSULTATION #: CFSN200310

Architect:  
**Michael A. Uhlenhake, Architect LLC**  
2405 West McMicken Avenue  
Cincinnati, Ohio 45214  
tel. 513.665.4374  
m.uhlenhake@gmail.com

SEAL / STAMP  
MICHAEL ANTHONY UHLENHAKE  
ARC 9511188  
EXPIRATION DATE:  
31 December 2021

SEAL / STAMP  
STATE OF OHIO  
MICHAEL A. UHLENHAKE  
11188  
REGISTERED ARCHITECT  
MICHAEL ANTHONY UHLENHAKE  
ARC 9511188  
EXPIRATION DATE:  
31 December 2021

DATE  
6 AUGUST 2021

A11