

**HOOD INFORMATION - JOB#4604989**

HOOD NO	TAG	MODEL	MANUFACTURER	LENGTH	MAX COOKING TEMP	TYPE	APPLIANCE DUTY	DESIGN CFM/FT	TOTAL EXH CFM	EXHAUST PLENUM RISER(S)						HOOD CONSTRUCTION	HOOD CONFIG		
										WIDTH	LENG	HEIGHT	DIA	CFM	VEL		SP	END TO END	ROW
1	HD2-VDR2	5424 ND-2	CAPTIVEAIRE	10' 0"	600 DEG	I	HEAVY	160	1600			4'	14'	1600	1497	-0.341'	430 SS WHERE EXPOSED	ALONE	ALONE
2	HDS-VDR5	5424 ND-2	CAPTIVEAIRE	10' 0"	600 DEG	I	HEAVY	160	1600			4'	14'	1600	1497	-0.341'	430 SS WHERE EXPOSED	ALONE	ALONE

**PATENT NUMBERS**

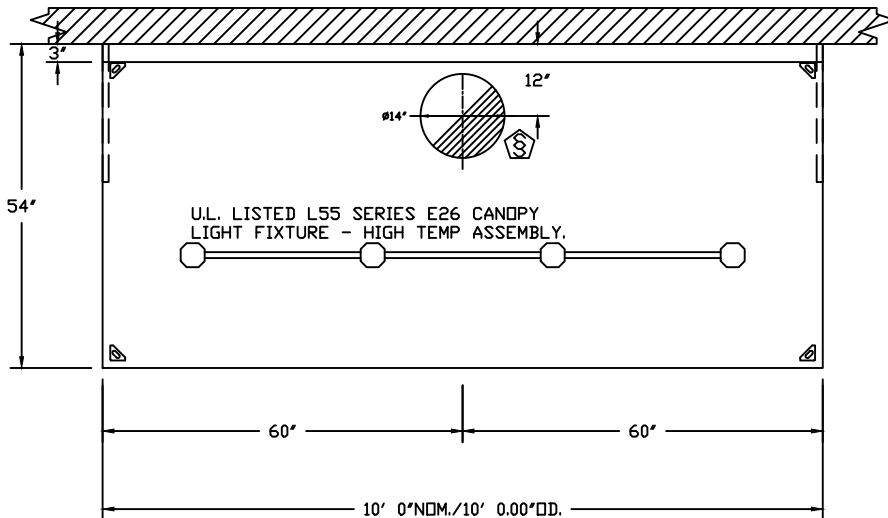
EXHAUST HOODS ND-2/BD-2/SND-2 (CANADA) - CA PATENT 2520435 C.

**HOOD INFORMATION**

HOOD NO	TAG	FILTER(S)				LIGHT(S)				UTILITY CABINET(S)				FIRE SYSTEM PIPING	HOOD HANGING WEIGHT				
		TYPE	QTY	HEIGHT	LENGTH	EFFICIENCY @ 7 MICRONS	QTY	TYPE	WIRE GUARD	LOCATION	SIZE	FIRE SYSTEM				ELECTRICAL	SWITCHES		
1	HD2-VDR2	SS BAFFLE WITH HANDLES	7	16'	16'	30%	4	L55 SERIES E26	NO									NO	453 LBS
2	HDS-VDR5	SS BAFFLE WITH HANDLES	7	16'	16'	30%	4	L55 SERIES E26	NO									NO	444 LBS

**HOOD OPTIONS**

HOOD NO	TAG	OPTION
1	HD2-VDR2	FIELD WRAPPER 15.00' HIGH FRONT, LEFT, RIGHT.
		RIGHT QUARTER END PANEL 23' TOP WIDTH, 0' BOTTOM WIDTH, 23' HIGH 430 SS.
		LEFT QUARTER END PANEL 23' TOP WIDTH, 0' BOTTOM WIDTH, 23' HIGH 430 SS.
		SENSOR-CV.
2	HDS-VDR5	FIELD WRAPPER 15.00' HIGH FRONT, LEFT.
		RIGHT QUARTER END PANEL 23' TOP WIDTH, 0' BOTTOM WIDTH, 23' HIGH 430 SS.
		LEFT QUARTER END PANEL 23' TOP WIDTH, 0' BOTTOM WIDTH, 23' HIGH 430 SS.
		SENSOR-CV.
3	EXIST HD3-4	OPTIONS ONLY: FIELD WRAPPER 15.00' HIGH X 108.00' LONG FRONT 430 SS.
		OPTIONS ONLY: FIELD WRAPPER 15.00' HIGH X 51.00' LONG LEFT 430 SS.
		OPTIONS ONLY: FIELD WRAPPER 15.00' HIGH X 51.00' LONG RIGHT 430 SS.
		OPTIONS ONLY: FIELD WRAPPER 15.00' HIGH X 108.00' LONG FRONT 430 SS.
		OPTIONS ONLY: FIELD WRAPPER 15.00' HIGH X 51.00' LONG LEFT 430 SS.
		OPTIONS ONLY: FIELD WRAPPER 15.00' HIGH X 51.00' LONG RIGHT 430 SS.

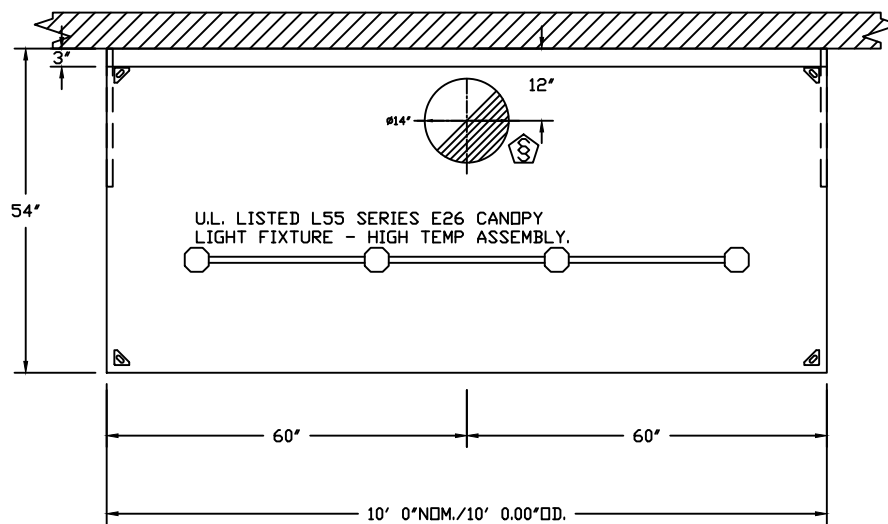


**PLAN VIEW - HOOD #1 (HD2-VDR2)**  
10' 0.00" LONG 5424ND-2

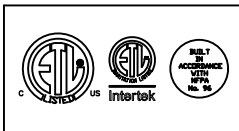


**CAPTIVEAIRE**

JOB West Social FoodHall (Dayton)	
LOCATION Dayton, OH, 45402	
DATE 2/17/2022	JOB # 4604989
DWG # 1	DRAWN BY jcirilli
REV.	SCALE 3/8" = 1'-0"

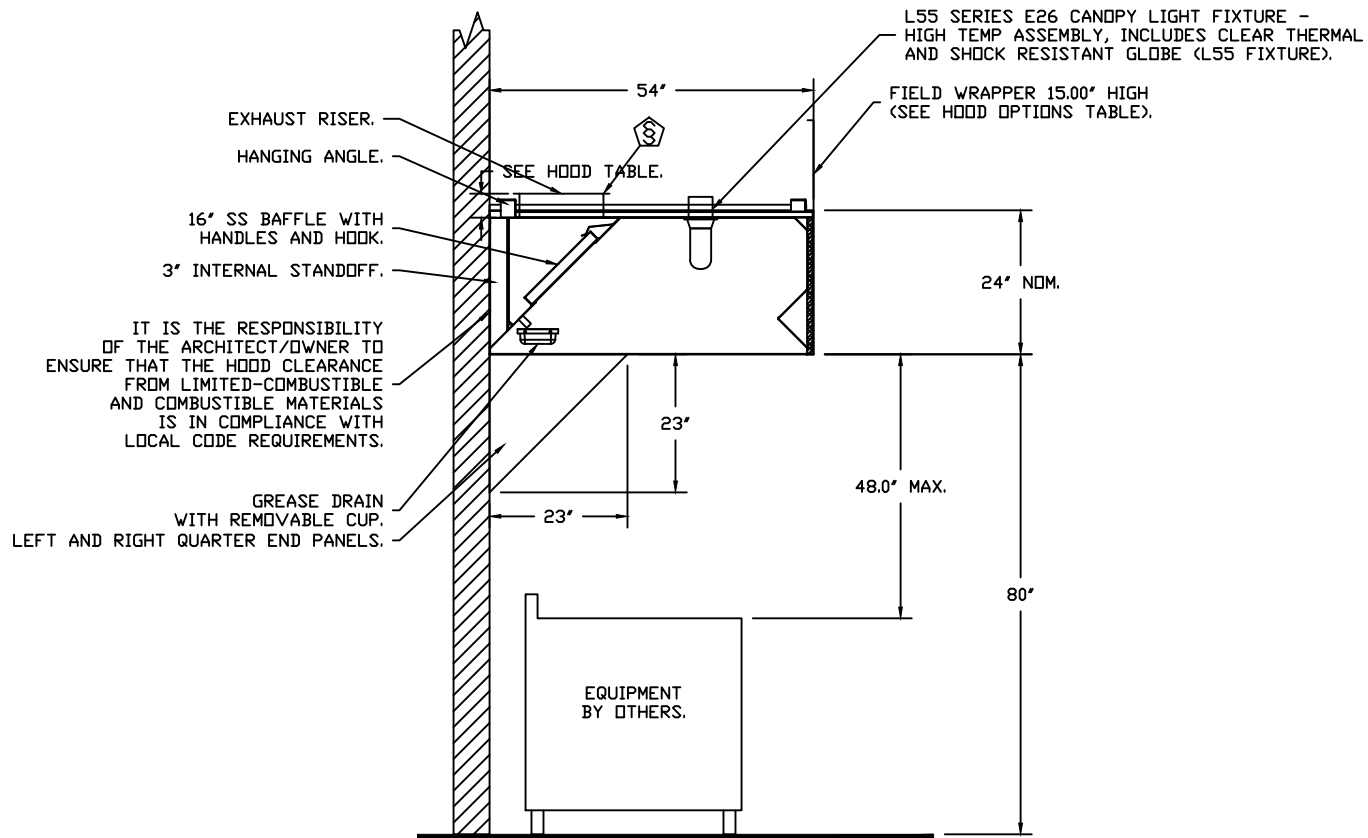


PLAN VIEW - HOOD #2 (HD5-VDR5)  
 10' 0.00" LONG 5424ND-2



**CAPTIVEAIRE**

JOB West Social FoodHall (Dayton)	
LOCATION Dayton, OH, 45402	
DATE 2/17/2022	JOB # 4604989
DWG # 2	DRAWN BY jcirilli
REV.	SCALE 3/8" = 1'-0"

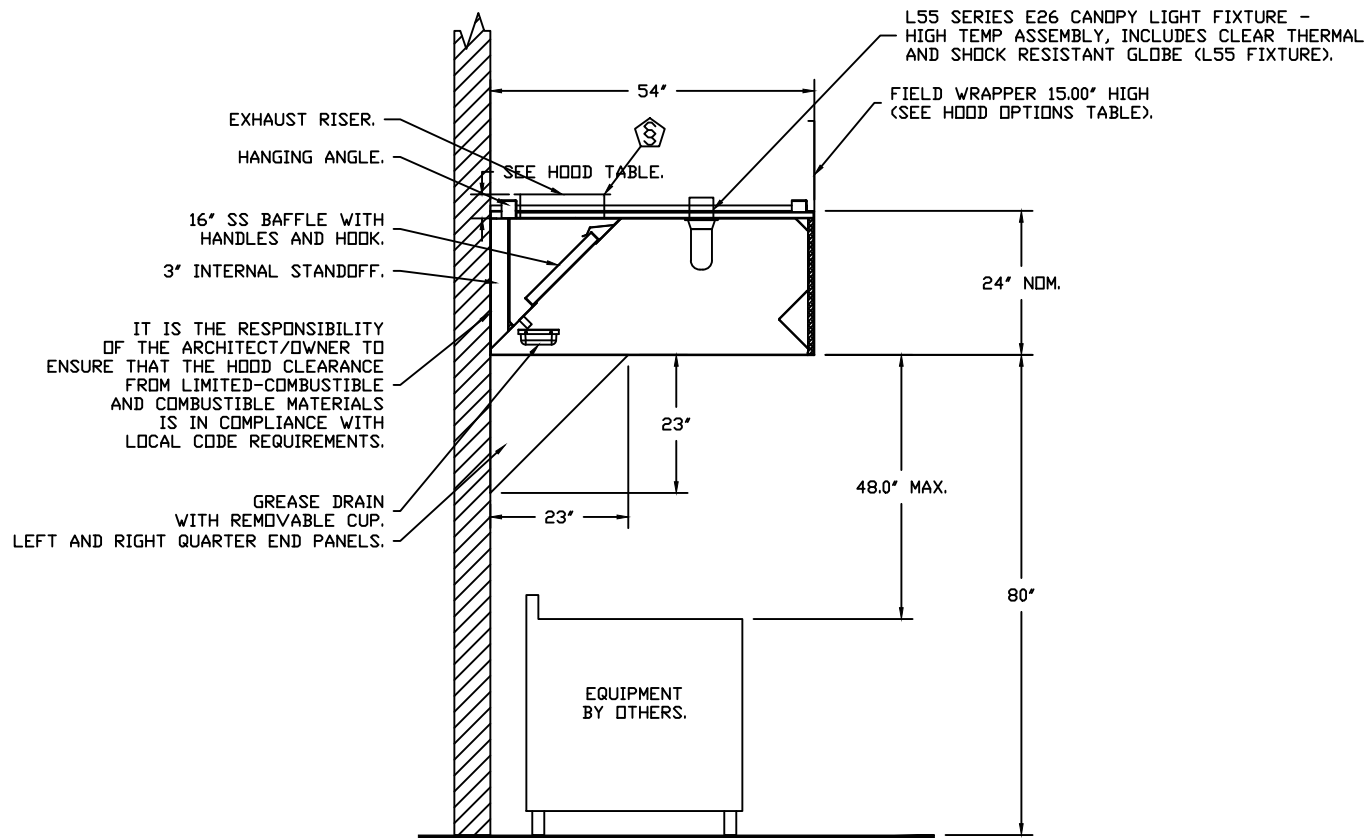


**SECTION VIEW - MODEL 5424ND-2**  
**HOOD - #1 (HD2-VDR2)**



**CAPTIVEAIRE**

JOB West Social FoodHall (Dayton)	
LOCATION Dayton, OH, 45402	
DATE 2/17/2022	JOB # 4604989
DWG # 3	DRAWN BY jcirilli
REV.	SCALE 3/8" = 1'-0"



**SECTION VIEW - MODEL 5424ND-2  
HOOD - #2 (HD5-VDR5)**



**CAPTIVEAIRE**

JOB West Social FoodHall (Dayton)	
LOCATION Dayton, OH, 45402	
DATE 2/17/2022	JOB # 4604989
DWG # 4	DRAWN BY jcirilli
REV.	SCALE 3/8" = 1'-0"

**EXHAUST FAN INFORMATION - JOB#4604989**

FAN UNIT NO	TAG	QTY	FAN UNIT MODEL #	MANUFACTURER	CFM	ESP	RPM	MOTOR ENCL.	HP	BHP	PHASE	VOLT	FLA	DISCHARGE VELOCITY	WEIGHT (LBS)	SONES
1	EF-VDR2	1	DUB5HFA	CAPTIVEAIRE	1600	1.150	1376	TEAD-ECM	1.000	0.4590	1	115	11.6	506 FPM	93	13
2	EF-VDR5	1	DUB5HFA	CAPTIVEAIRE	1600	1.150	1376	TEAD-ECM	1.000	0.4590	1	115	11.6	506 FPM	93	13
3	EF-DVNI	1	NCA8FA	CAPTIVEAIRE	200	0.350	922	DDP	0.250	0.0400	1	115	4.8	99 FPM	110	4.2

**FAN OPTIONS**

FAN UNIT NO	TAG	QTY	DESCRIPTION
1	EF-VDR2	1	GREASE BOX
		1	EXHAUST FAN HEAT BAFFLE
		1	ECM WIRING PACKAGE - PVM SIGNAL FROM ECPMD3 PREWIRE (TELCO MOTOR), CCW ROTATION
		1	2 YEAR PARTS WARRANTY
2	EF-VDR5	1	GREASE BOX
		1	EXHAUST FAN HEAT BAFFLE
		1	ECM WIRING PACKAGE - PVM SIGNAL FROM ECPMD3 PREWIRE (TELCO MOTOR), CCW ROTATION
		1	2 YEAR PARTS WARRANTY
3	EF-DVNI	1	GREASE BOX
		1	EXHAUST FAN HEAT BAFFLE
		1	FAN BASE CERAMIC SEAL - INSTALLED AT PLANT - FOR GREASE DUCTS
		1	TCV11 - TEFLON COATED WHEEL
4	DDAS-1	1	EXTRA SET OF BELTS
		1	2 YEAR PARTS WARRANTY
		1	SINGLE POINT ELECTRICAL CONNECTION FOR RTU. 750VA TRANSFORMER USED. IF A NON-DCV PREWIRE CONTROLS THIS UNIT, THE #28, #47, #A4, OR #E2 PREWIRE OPTION MUST BE SELECTED. DOES NOT PROVIDE SUPPLY STARTER IN PREWIRE
		1	CASLINK BUILDING MONITORING SYSTEM - INTERNET OR CELLULAR CONNECTION REQUIRED
		1	RTU4 DOWN DISCHARGE
		1	2" MERV 13 FILTERS FOR RTU4 (QTY. 12)
		1	OVERHEAT STAT
		1	RTU TOTAL CFM MONITORING
		1	VFD FACTORY MOUNTED AND WIRED IN RTU COMMERCIAL CONTROL VESTIBULE
		1	MANIFOLD PRESSURE GAUGE, 0 TO 10" WC, 1 FURNACE
		1	INLET PRESSURE GAUGE, 0-35"
		1	RTU4 CURB DUCT HANGER
		1	OCCUPIED SCHEDULING
		1	25 TON MODULATING COOLING OPTION, 208/230V. R410A REFRIGERANT, VARIABLE SPEED COMPRESSOR, ECM CONDENSING FANS
		1	25 TON MODULATING REHEAT OPTION - SPACE DEWPOINT CONTROL
		1	RTUVZH70 COMPRESSOR SOUND BLANKET 230V - FACTORY INSTALLED
		1	RTU RETURN MOUNTED SMOKE DETECTOR AND SAMPLING TUBE - FACTORY INSTALLED
		1	RTU INTAKE/RETURN DAMPER - STATIC PRESSURE CONTROL
		1	RTU4 DOWN RETURN
		1	2" MERV 8 FILTERS FOR RTU4 (QTY. 12)
		1	VAV PACKAGE W/ MANUAL/DDC CONTROL (571 VFD INCLUDED)
		1	LINE REACTOR MOUNTED IN FAN
		1	5 YEAR ENTIRE UNIT PARTS WARRANTY, 10 YEAR ENTIRE UNIT PARTS WARRANTY WITH REMOTE MONITORING AND CAPTIVEAIRE SERVICE CONTRACT, 25 YEAR STAINLESS STEEL FURNACE PARTS WARRANTY (SEE ADDITIONAL DETAILS)

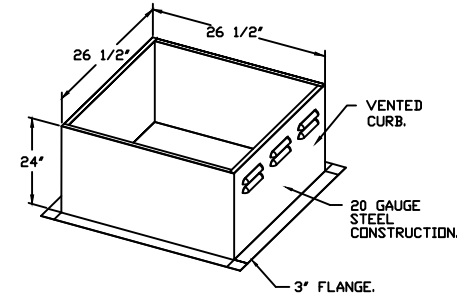
**FAN ACCESSORIES**

FAN UNIT NO	TAG	EXHAUST				SUPPLY			
		GREASE CUP	GRAVITY DAMPER	WALL MOUNT	SIDE DISCHARGE	GRAVITY DAMPER	MOTORIZED DAMPER	WALL MOUNT	
1	EF-VDR2	YES							
2	EF-VDR5	YES							
3	EF-DVNI	YES							

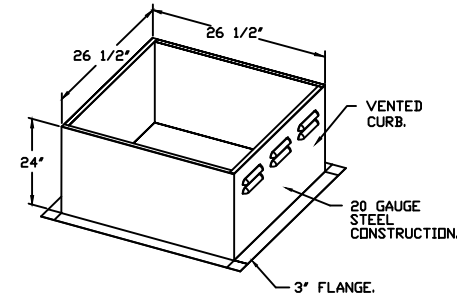
**CURB ASSEMBLIES**

NO	DN FAN	TAG	WEIGHT	ITEM	SIZE
1	# 1	EF-VDR2	41 LBS	CURB	23.000"W X 23.000"L X 24.000"H ALONG LENGTH, RIGHT VENTED HINGED.
2	# 2	EF-VDR5	41 LBS	CURB	23.000"W X 23.000"L X 24.000"H ALONG LENGTH, RIGHT VENTED HINGED.
3	# 3	EF-DVNI	34 LBS	CURB	19.500"W X 19.500"L X 24.000"H ALONG LENGTH, RIGHT VENTED HINGED.
4	# 4	DDAS-1	108 LBS	CURB	80.000"W X 111.000"L X 14.000"H ALONG WIDTH, RIGHT INSULATED.
5		EXIST EF4	38 LBS	CURB	26.500"W X 26.500"L X 24.000"H ALONG LENGTH, RIGHT VENTED HINGED.
6		EXIST EF5	38 LBS	CURB	26.500"W X 26.500"L X 24.000"H ALONG LENGTH, RIGHT VENTED HINGED.

CURB #5 (EXIST EF4) CRB26.5X24E  
 OPTIONS:  
 - ATTACHED HINGED BASE.

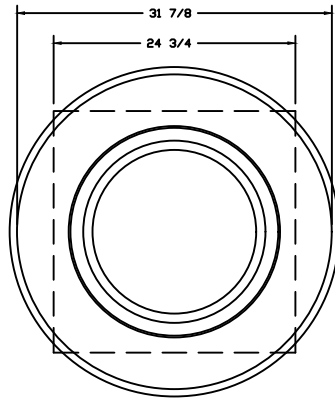
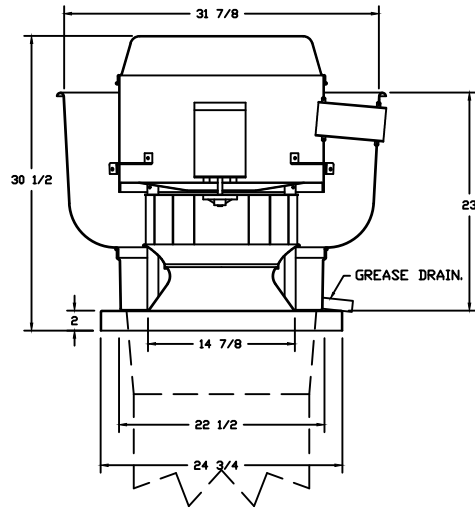


CURB #6 (EXIST EF5) CRB26.5X24E  
 OPTIONS:  
 - ATTACHED HINGED BASE.



JOB West Social FoodHall (Dayton)	
LOCATION Dayton, OH, 45402	
DATE 2/17/2022	JOB # 4604989
DWG # 5	DRAWN BY jcirilli
REV.	SCALE 3/8" = 1'-0"

FANS #1 (EF-VDR2), #2 (EF-VDR5) - DU85HFA EXHAUST FAN



TOP VIEW

FEATURES:

- DIRECT DRIVE CONSTRUCTION (NO BELTS/PULLEYS).
- ROOF MOUNTED FANS.
- RESTAURANT MODEL.
- UL705 AND UL762 AND ULC-S645
- VARIABLE SPEED CONTROL.
- INTERNAL WIRING.
- THERMAL OVERLOAD PROTECTION (SINGLE PHASE).
- HIGH HEAT OPERATION 300°F (149°C).
- GREASE CLASSIFICATION TESTING.
- NEMA 3R SAFETY DISCONNECT SWITCH.

NORMAL TEMPERATURE TEST

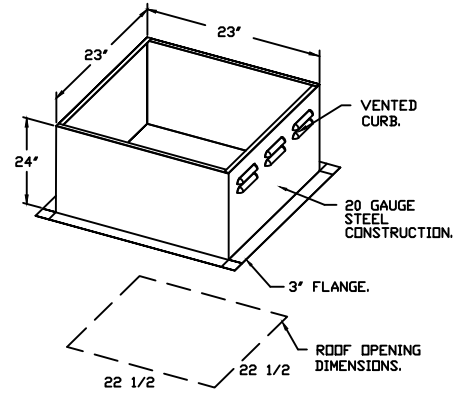
EXHAUST FAN MUST OPERATE CONTINUOUSLY WHILE EXHAUSTING AIR AT 300°F (149°C) UNTIL ALL FAN PARTS HAVE REACHED THERMAL EQUILIBRIUM, AND WITHOUT ANY DETERIORATING EFFECTS TO THE FAN WHICH WOULD CAUSE UNSAFE OPERATION.

ABNORMAL FLARE-UP TEST

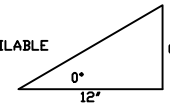
EXHAUST FAN MUST OPERATE CONTINUOUSLY WHILE EXHAUSTING BURNING GREASE VAPORS AT 600°F (316°C) FOR A PERIOD OF 15 MINUTES WITHOUT THE FAN BECOMING DAMAGED TO ANY EXTENT THAT COULD CAUSE AN UNSAFE CONDITION.

OPTIONS

- GREASE BOX.
- EXHAUST FAN HEAT BAFFLE.
- ECM WIRING PACKAGE - PWM SIGNAL FROM ECPM03 PREWIRE (TELCO MOTOR), CCW ROTATION.
- 2 YEAR PARTS WARRANTY.



PITCHED CURBS ARE AVAILABLE FOR PITCHED ROOFS.



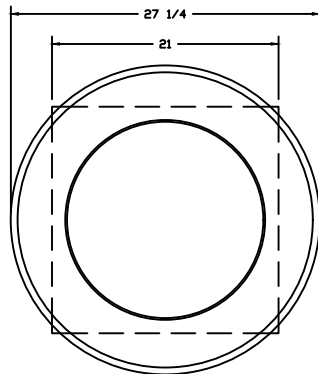
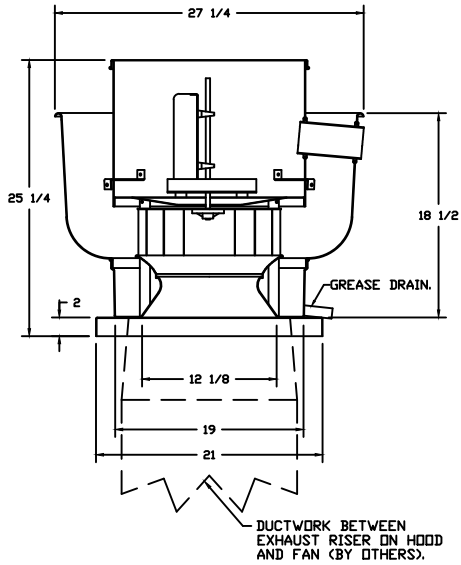
SPECIFY PITCH:  
EXAMPLE: 7/12 PITCH = 30° SLOPE.



**CAPTIVEAIRE**

JOB West Social FoodHall (Dayton)	
LOCATION Dayton, OH, 45402	
DATE 2/17/2022	JOB # 4604989
DWG # 5	DRAWN BY jcirilli
REV.	SCALE 3/8" = 1'-0"

FAN #3 NCA8FA - EXHAUST FAN (EF-QVNI)



TOP VIEW

**FEATURES:**

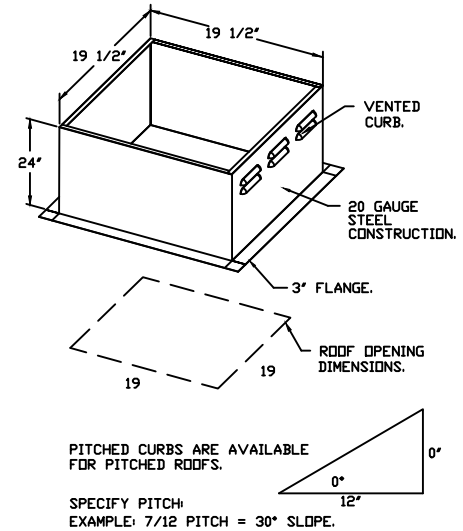
- ROOF MOUNTED FANS.
- RESTAURANT MODEL.
- UL705 AND UL762 AND ULC-S645.
- AMCA SOUND AND AIR CERTIFIED.
- WIRING FROM MOTOR TO DISCONNECT SWITCH.
- NEMA 3R SAFETY DISCONNECT SWITCH.
- HIGH HEAT OPERATION 300°F (149°C).
- GREASE CLASSIFICATION TESTING.

**NORMAL TEMPERATURE TEST**  
EXHAUST FAN MUST OPERATE CONTINUOUSLY WHILE EXHAUSTING AIR AT 300°F (149°C) UNTIL ALL FAN PARTS HAVE REACHED THERMAL EQUILIBRIUM, AND WITHOUT ANY DETERIORATING EFFECTS TO THE FAN WHICH WOULD CAUSE UNSAFE OPERATION.

**ABNORMAL FLARE-UP TEST**  
EXHAUST FAN MUST OPERATE CONTINUOUSLY WHILE EXHAUSTING BURNING GREASE VAPORS AT 600°F (316°C) FOR A PERIOD OF 15 MINUTES WITHOUT THE FAN BECOMING DAMAGED TO ANY EXTENT THAT COULD CAUSE AN UNSAFE CONDITION.

**OPTIONS**

- GREASE BOX.
- EXHAUST FAN HEAT BAFFLE.
- FAN BASE CERAMIC SEAL - INSTALLED AT PLANT - FOR GREASE DUCTS.
- TCW11 - TEFLON COATED WHEEL.
- EXTRA SET OF BELTS.
- 2 YEAR PARTS WARRANTY.



**CAPTIVEAIRE**

JOB West Social FoodHall (Dayton)	
LOCATION Dayton, OH, 45402	
DATE 2/17/2022	JOB # 4604989
DWG # 7	DRAWN BY jcirilli
REV.	SCALE 3/8" = 1'-0"

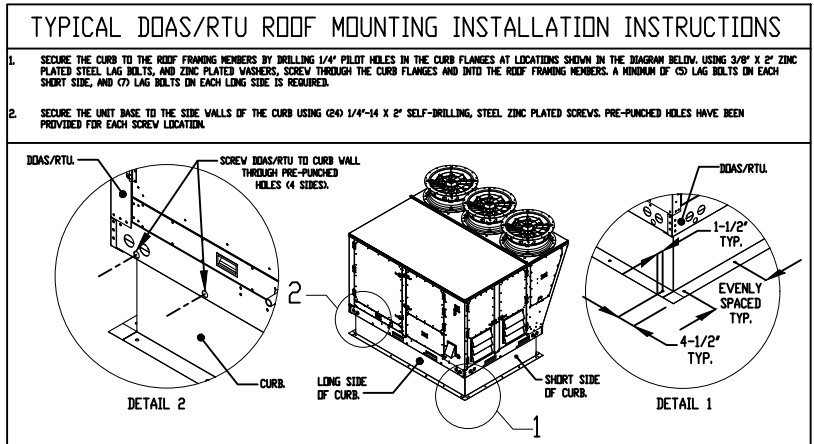
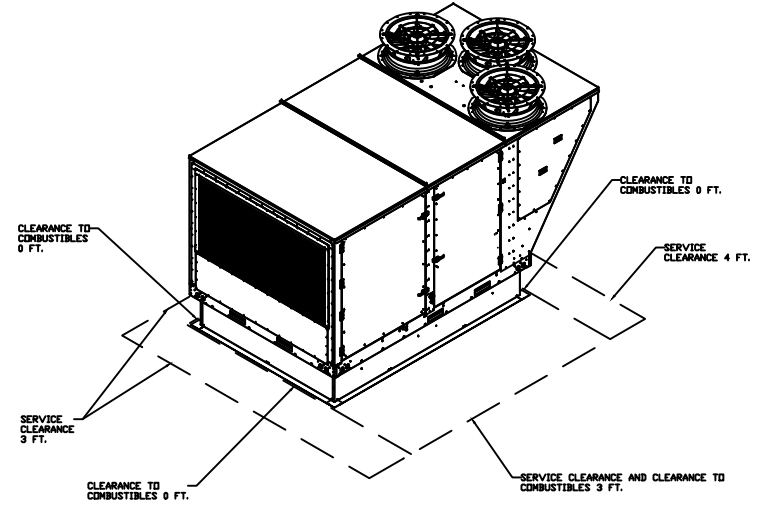
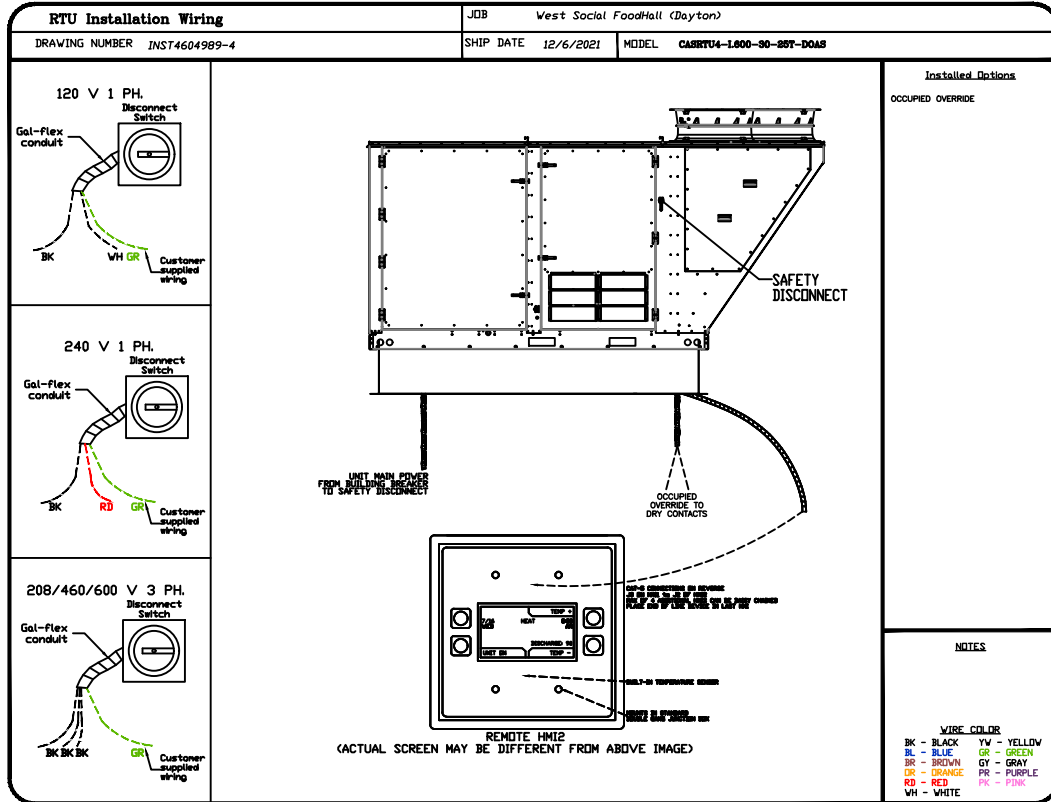
DOAS/RTU FAN SCHEDULE - JOB#4604989

FAN INFORMATION										ELECTRICAL INFORMATION				COOLING INFORMATION					REHEAT INFORMATION			GAS HEAT INFORMATION				NOTES								
FAN UNIT NO.	TAG	QTY	DOAS/RTU MODEL #	MANUFACTURER	BLOWER	RETURN AIR CFM	MAY OUTSIDE AIR CFM	TOTAL CFM	WEIGHT (LBS)	ESP	HP	#	VOLT	MCA	MDCP	OUTSIDE AIR DB	OUTSIDE AIR WB	MIXED AIR DB	MIXED AIR WB	LEAVING AIR DB	LEAVING AIR WB	TOTAL CAPACITY	IEER	DISCHARGE DB	DISCHARGE WB		CAPACITY DESIRED	CAPACITY MAX	MOISTURE REMOVAL RATE	GAS TYPE	INPUT BTUs	OUTPUT BTUs	TEMP RISE	
4	DOAS-1	1	CASRTU4-1600-30-25T-DOAS	CAPTIVEAIRE	30P-4	900	4500	5400	4475	0.800	7.50	3	208	127.5A	150A	82.5°F	76.8°F	81.2°F	74.6°F	55.9°F	55.8°F	336.0 MBH	143.9 MBH	17.9	71.0°F	61.4°F	89 MBH	260 MBH	173.9 LBS/HR	NATURAL	477512	382010	60°F	1,2,3,4,5,6,7,8,9,10,11,12,13,14,15,16

**NOTES:**

1. INVERTER SCROLL COMPRESSOR WITH INTEGRATED OIL SENSOR. DIGITAL OR STAGED SCROLL NOT AN APPROVED EQUAL
2. DIRECT DRIVE PLENUM BLOWER. BELT DRIVEN BLOWERS ARE NOT ACCEPTABLE
3. INTEGRATED MONITORING VIA CELLULAR CONNECTION BY MANUFACTURER
4. REFRIGERATION PRESSURE MONITORING ON HIGH AND LOW PRESSURE SIDE OF SYSTEM INCLUDED THROUGH DIGITAL INTERFACE
5. EC MOTOR CONDENSING FANS
6. ELECTRONIC EXPANSION VALVE. TXV NOT ACCEPTABLE
7. SUCTION LINE ACCUMULATOR
8. FACTORY COMMISSIONING WITH 5 YEAR PARTS WARRANTY, 25 YEAR WARRANTY ON STAINLESS STEEL HEAT EXCHANGER
9. AVERAGING INTAKE, EVAP AND DISCHARGE TEMPERATURE SENSORS (DISCHARGE SENSOR TO BE FACTORY MOUNTED WITHIN UNIT)
10. 2" EXTERIOR DUAL-WALL CONSTRUCTION W/ R-13 INSULATION-MINIMUM 20GA EXTERIOR W/ 14GA BASE
11. SUPPLY CFM MONITORING INTEGRAL TO UNIT WITH CFM MEASUREMENT INCLUDED THROUGH DIGITAL INTERFACE
12. FULLY MODULATING HOT GAS REHEAT
13. STATIC PRESSURE CONTROLLED OUTSIDE AIR DAMPER
14. FACTORY INSTALLED COMPRESSOR SOUND BLANKET
15. DOWN DISCHARGE/DOWN RETURN

16. 80% EFFICIENT FURNACE, WITH MODULATING INDUCER TO MAINTAIN CONSTANT COMBUSTION EFFICIENCY ACROSS FIRING RANGE. 6:1 TURNDOWN WITH NG AND 5:1 TURNDOWN WITH LP



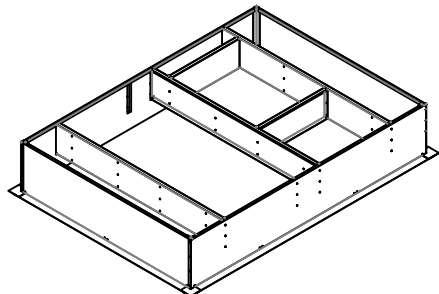
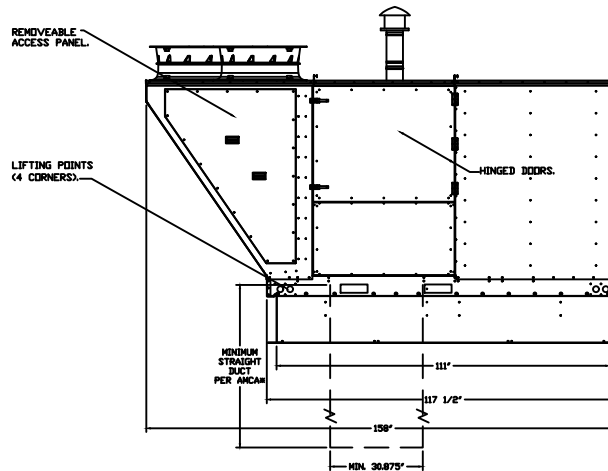
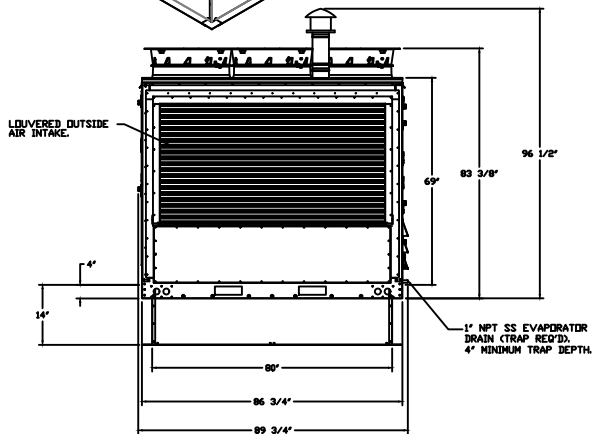
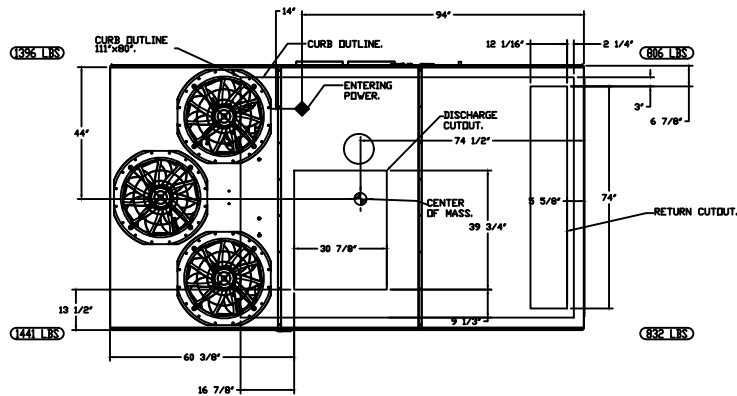
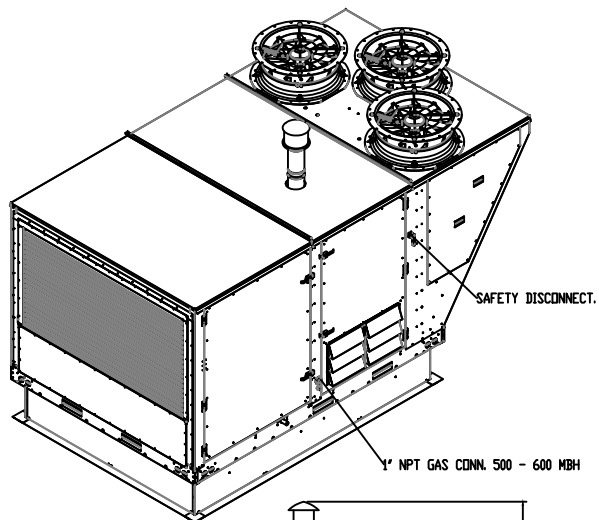
**CAPTIVEAIRE**

JOB West Social FoodHall (Dayton)	
LOCATION Dayton, OH, 45402	
DATE 2/17/2022	JOB # 4604989
DWG # 5	DRAWN BY jcrilli
REV.	SCALE 3/8" = 1'-0"

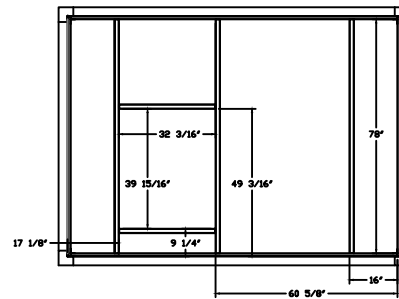
FAN #4 CASRTU4-1600-30-25T-DOAS - HEATER (DOAS-1)

NOTES:

- DO NOT OBSTRUCT OUTSIDE AIR INLET, OUTSIDE AIR COIL OR OUTSIDE AIR FAN.
- DO NOT EXCEED CORNER WEIGHT.
- ROOF OPENING MUST BE 2" SMALLER THAN CURB DIMENSIONS IN BOTH DIRECTIONS.



\*NOTE: SUPPLY DUCT MUST BE INSTALLED TO MEET SMACNA STANDARDS. A MINIMUM STRAIGHT DUCT LENGTH MUST BE MAINTAINED DOWNSTREAM OF UNIT DISCHARGE AS OUTLINED IN AMCA PUBLICATION 201. WHEN USING RECTANGULAR DUCTWORK, ELBOWS MUST BE RADIUS THROAT, RADIUS BACK WITH TURNING VANES. FLEXIBLE DUCTWORK AND SQUARE THROAT/SQUARE BACK ELBOWS SHOULD NOT BE USED. ANY TRANSITION AND/OR TURNS IN THE DUCTWORK WILL CAUSE SYSTEM EFFECT. SYSTEM EFFECT WILL DRASTICALLY INCREASE STATIC PRESSURE AND REDUCE AIRFLOW. DO NOT RELY ON UNIT TO SUPPORT DUCT IN ANY WAY. FAILURE TO PROPERLY SIZE DUCTWORK MAY CAUSE SYSTEM EFFECTS AND REDUCE PERFORMANCE OF THE EQUIPMENT. SUGGESTED STRAIGHT DUCT SIZE IS 30.875" x 39.75".



**CAPTIVEAIRE**

JOB West Social FoodHall (Dayton)	
LOCATION Dayton, OH, 45402	
DATE 2/17/2022	JOB # 4604989
DWG # 9	DRAWN BY jcirilli
REV.	SCALE 3/8" = 1'-0"