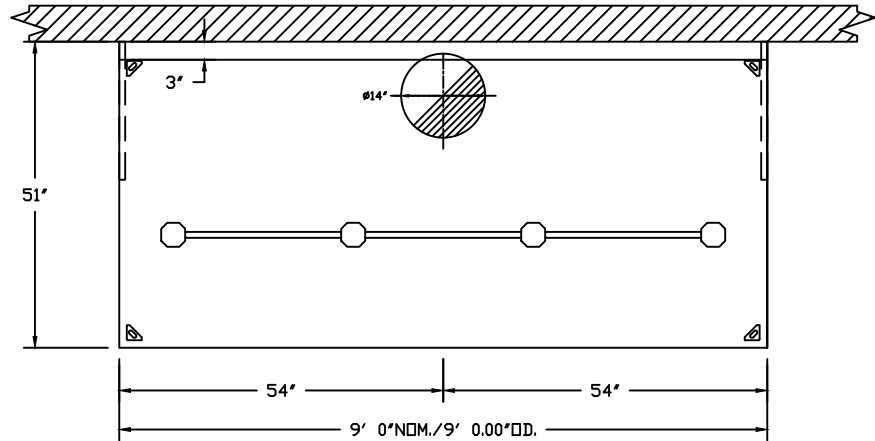
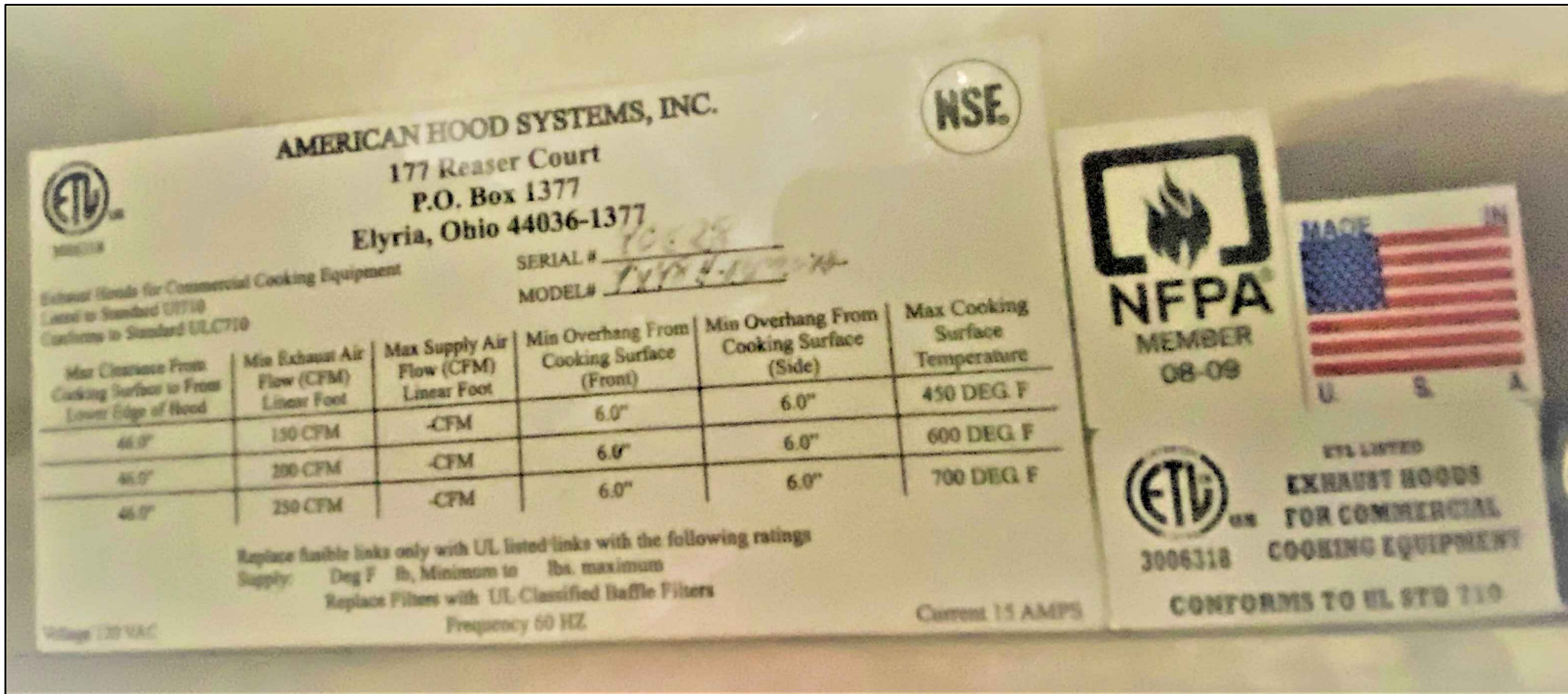


HOOD INFORMATION - JOB#4604989

MANUFACTURER	LENGTH	TYPE	APPLIANCE DUTY	DESIGN CFM/FT	TOTAL CFM	H.P.	PHASE	VOLTAGE
AMERICAN HOOD SYSTEMS	9' 0"	I	MEDIUM	178	1600	1.0	1	208



PLAN VIEW - HOOD #5 (VDR5)



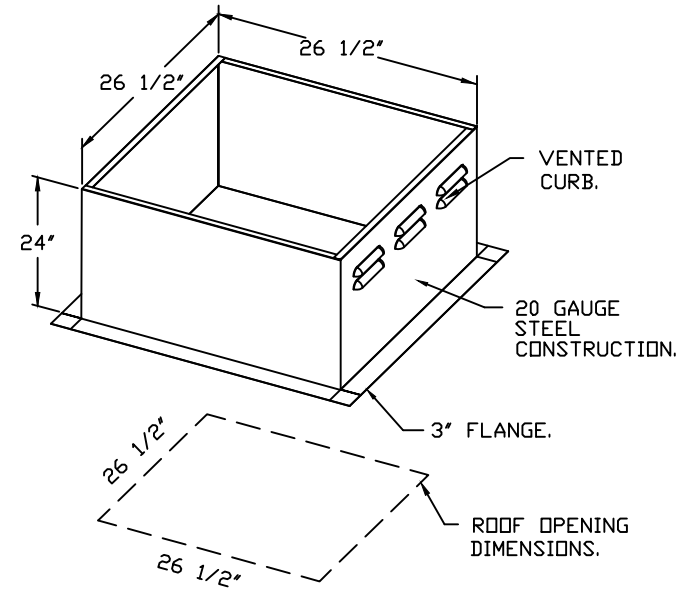
VENDOR 5



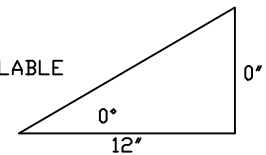
JOB West Social FoodHall (Dayton)	
LOCATION Dayton, OH, 45402	
DATE 12/23/2021	JOB # 4604989
DWG # 1	DRAWN BY jcirilli
REV.	SCALE 3/8' = 1'-0"

FAN INFORMATION – Job#4604989

FAN UNIT NO	MODEL	TAG	EXHAUST CFM	SUPPLY CFM	SP	RPM	HP	PHASE	VOLT	FLA
5	COOK	EXIST EF4	1600	0	0.350	1375	1.0	1	115	11.6



PITCHED CURBS ARE AVAILABLE FOR PITCHED ROOFS.



SPECIFY PITCH:
EXAMPLE: 7/12 PITCH = 30° SLOPE.

VENDOR 5



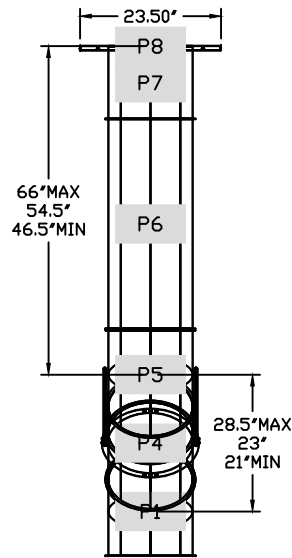
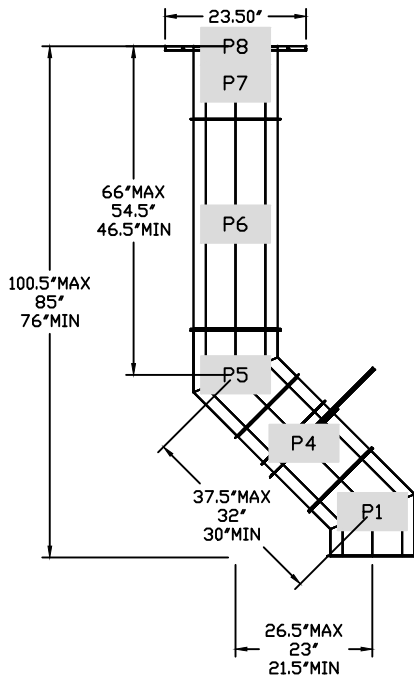
JOB West Social FoodHall (Dayton)	
LOCATION Dayton, OH, 45402	
DATE 12/23/2021	JOB # 4604989
DWG # 2	DRAWN BY jcirilli
REV.	SCALE 3/8" = 1'-0"

DUCTWORK #5 PARTS - JOB#4604989 DR-5 GREASE

TAG	PART #	CFM	GPM	ZONE	COVEREDBY	SP	WEIGHT	VELOCITY	QTY	DESCRIPTION
P1	DW1445ASY	1600				-0.0368	7.22	1496.71	1	SINGLE WALL DUCT 45 DEGREE ELBOW, 14" DUCT, ASSEMBLY.
P2	DW1411LT	1600				-0.0039	5.46	1496.71	1	SINGLE WALL DUCT 14" DIAMETER, 11" LONG, FLANGE AT BOTH ENDS. STAINLESS STEEL.
P3	DW1418AJDKIT	1600				-0.0021	11.56	1496.71	1	SINGLE WALL DUCT ADJUSTABLE, 14" DIAMETER, 17.5" LONG, FLANGE AT ONE END WITH A 14" ADJUSTABLE COLLAR - STAINLESS STEEL.
P4	DW14SUBRASYS						2.96		1	DUCT SUPPORT BRACKET KIT, 14" DUCT, USED FOR HANGING DUCT. 12 GA STEEL, CLEAR ZINC COATING. - 2 RINGS, 4 BRACKETS, & HARDWARE BAG 2.
P5	DW1445ASY	1600				-0.0525	7.22	1496.71	1	SINGLE WALL DUCT 45 DEGREE ELBOW, 14" DUCT, ASSEMBLY.
P6	DW1435LT	1600				-0.0119	16.34	1496.71	1	SINGLE WALL DUCT 14" DIAMETER, 35" LONG, FLANGE AT BOTH ENDS. STAINLESS STEEL.
P7 ASSEMBLED W/P8	DW1430AJDKIT	1600				-0.0041	17.56	1496.71	1	SINGLE WALL DUCT ADJUSTABLE, 14" DIAMETER, 29.5" LONG, FLANGE AT ONE END WITH A 14" ADJUSTABLE COLLAR - STAINLESS STEEL.
P8 ASSEMBLED W/P7	DW2314TPDBEX	1600					8.00	1496.71	1	DUCT TO CURB TRANSITION 3/4" DOWN TURN, 23" CURB TO 14" DUCT, 16 GA ALUMINIZED. USED ON NCA14FA & NCA14HPFA. TRANSITION PLATE DD IS 23.5" DESIGNED FOR USE WITH EXHAUST FAN. NON-STANDARD PART.
SYSTEM AT P8						-0.4523	0.00			
	3M-2000PLUS						0.80		2	DUCT - 3M FIRE BARRIER 2000 PLUS SILICONE - USED AS SEALANT TO SEAL DUCT JOINTS.
	DW14CLASY						1.06		6	DUCT "V" CLAMP WITH NEW DESIGN 14 GA BRACKETS, 14" DUCT, ASSEMBLY.
TOTAL WEIGHT							84.28			

DUCTWORK #5 FRONT VIEW
DR-5 GREASE

DUCTWORK #5 SIDE VIEW
DR-5 GREASE



GREASE DUCT SPECIFICATION - SINGLE WALL

FURNISH SINGLE-WALL, FACTORY BUILT, GREASE DUCT FOR USE WITH TYPE I KITCHEN HOODS, WHICH CONFORMS TO THE REQUIREMENTS OF NFPA-96. PRODUCTS SHALL BE ETL LISTED TO UL-1978 FOR VENTING AIR AND GREASE VAPORS FROM COMMERCIAL COOKING OPERATIONS AS DESCRIBED IN NFPA-96. THE DUCT WALL SHALL BE CONSTRUCTED OF .036 THICK TYPE 430 STAINLESS STEEL AND BE AVAILABLE IN DIAMETERS 8" THROUGH 24". ALL SUPPORTS, FAN ADAPTERS, HOOD CONNECTIONS, FITTINGS AND EXPANSION JOINTS REQUIRED TO INSTALL GREASE DUCT SHALL BE INCLUDED. ROOF PENETRATIONS SHALL COMPLY WITH LISTED CLEARANCE TO COMBUSTIBLES, SEE "CLEARANCE TO COMBUSTIBLES" GUIDE FOR DETAILS. THE GREASE DUCT WILL TERMINATE AT THE FAN ADAPTER PLATE, WILL BE FULLY WELDED TO THE FAN ADAPTER PLATE AND THE FAN ADAPTER PLATE WILL BE FASTENED TO THE CURB USING A SUITABLY SIZED FASTENER PROVIDED BY OTHERS; SEE PAGE 12 OF THE "INSTALLATION, OPERATION AND MAINTENANCE MANUAL" FOR DETAILS. GREASE DUCT JOINTS SHALL BE HELD TOGETHER BY MEANS OF FORMED VEE CLAMPS AND SEALED WITH 3M FIRE BARRIER 2000+. SCREWS USED TO SECURE THE VEE CLAMPS SHALL BE OF THE HEX-HEAD TYPE WITH FLANGED STOPS AND TAPERED "LEAD IN" THREADS FOR EASY STARTING. NUTS SHALL BE RETAINED BY MEANS OF A FREE-FLOATING CAGE TO ALLOW EASY ALIGNMENT. SINGLE-WALL GREASE DUCT SHALL BE INSTALLED IN ACCORDANCE WITH THE MANUFACTURER'S "INSTALLATION, OPERATION AND MAINTENANCE MANUAL", ETL LISTING AND STATE AND LOCAL CODES. GREASE DUCT INSTALLED OUTSIDE OF THE BUILDING SHALL BE PROTECTED AGAINST ACCIDENTAL DAMAGE OR VANDALISM. SUPPORT VERTICALLY INSTALLED GREASE DUCT FROM THE BUILDING STRUCTURE USING RIGID STRUCTURAL SUPPORTS. ANCHOR SUPPORTS TO THE STRUCTURE BY WELDING OR BOLTING STEEL EXPANSION ANCHORS OR CONCRETE INSERTS. SUPPORT HORIZONTALLY INSTALLED GREASE DUCT FROM THE BUILDING STRUCTURE USING ABOVE METHOD OR USE DUCT MATE, WIRE ROPE & CLUTCHERS, PART NUMBERS WR20 & CL20. 1/2" THREADED ROD AND SADDLES MAY ALSO BE USED FOR THE SUPPORT OF HORIZONTAL GREASE DUCT. FANS SHALL BE SUPPORTED INDEPENDENTLY FROM THE GREASE DUCT SECTIONS. PROTECT GREASE DUCT FROM TWISTING OR MOVEMENT CAUSED BY FAN TORQUE OR VIBRATION.

VENDOR 5



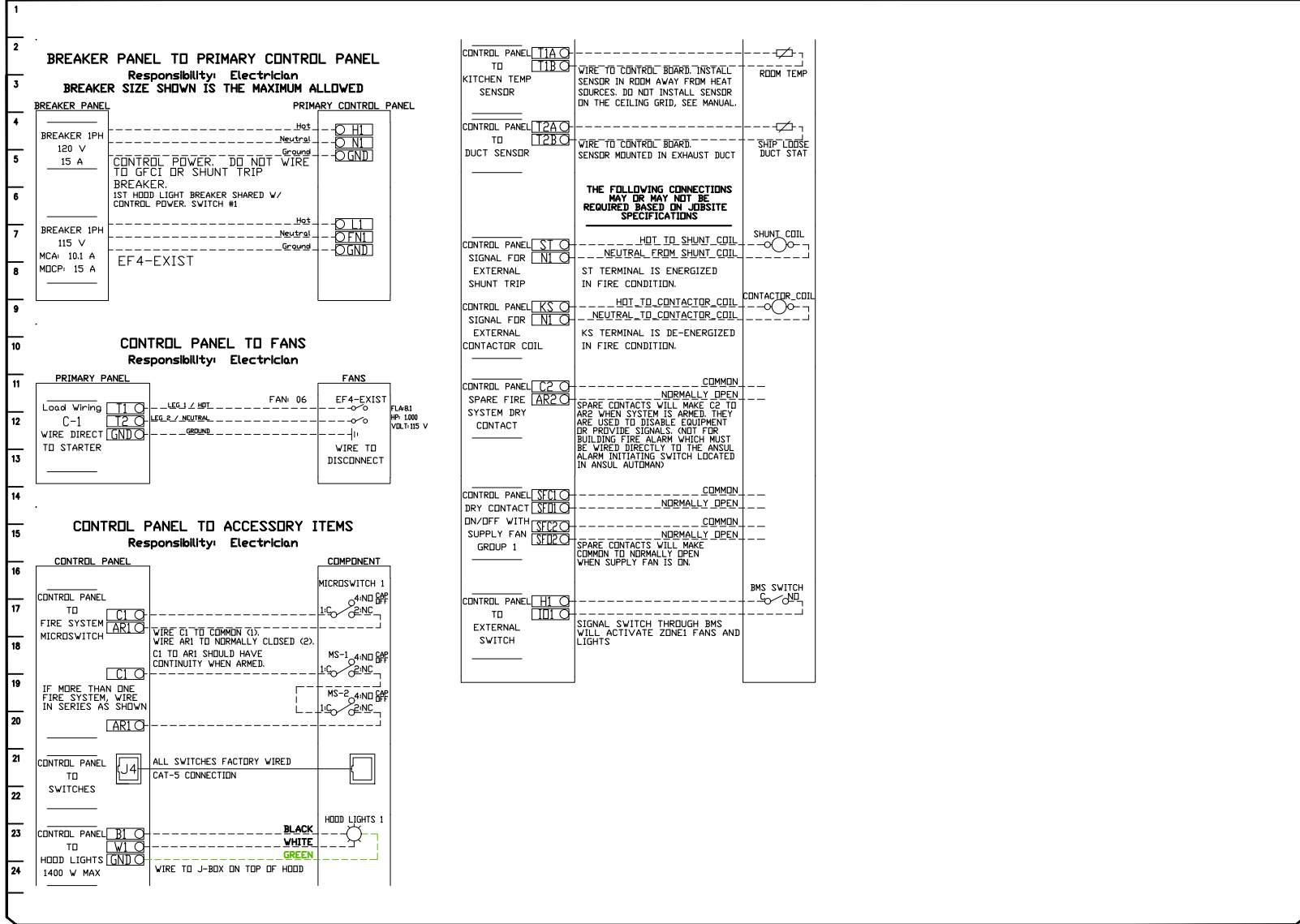
CAPTIVEAIR

JOB West Social FoodHall (Dayton)	
LOCATION Dayton, OH, 45402	
DATE 12/23/2021	JOB # 4604989
DWG # 3	DRAWN BY jcirilli
REV.	SCALE 3/8" = 1'-0"

ELECTRICAL PACKAGE – JOB#4604989

NO	TAG	PACKAGE #	LOCATION	SWITCHES		OPTION	FANS CONTROLLED					
				LOCATION	QUANTITY		FAN TAG	TYPE	Φ	HP	VOLT	FLA
3	EP5-VDR5	SC-110110MA	WALL MOUNT IN SS BOX	05 - SS WALL MOUNT BOX	1 LIGHT 1 FAN	SMART CONTROLS THERMOSTATIC CONTROL W/ RELAY ON/OFF WITH SUPPLY		EXHAUST	1	1.000	115	8.1

JOB NO 4604989	MODEL NUMBER SC-110110MA	DRAWN BY ECP #3-1	SCHEMATIC TYPE INSTALL	DESCRIPTION OF OPERATION: 120V 1 Phase w/ control for 1 Exhaust Fan, Exhaust on In Fire, Lights out in Fire, Relay On/Off with Supply Fan, Fans On/Off Thermostatically Controlled. Room temperature sensor shipped loose for field installation.
	JOB NAME West Social FoodHall (Dayton)	DATE 12/23/2021	DWG NO ECP #3-1	

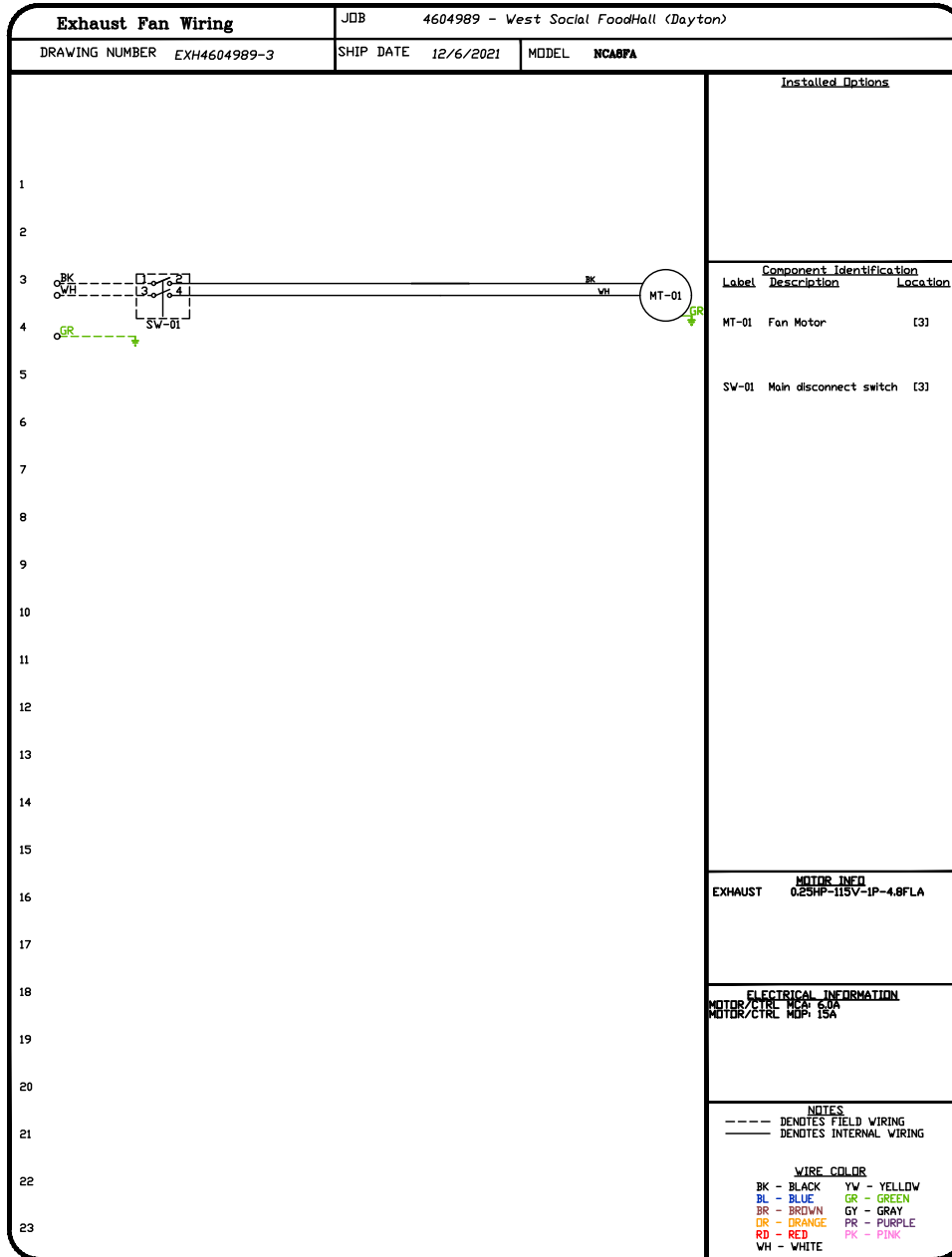


VENDOR 5



CAPTIVEAIRE

JOB West Social FoodHall (Dayton)	
LOCATION Dayton, OH, 45402	
DATE 12/23/2021	JOB # 4604989
DWG # 4	DRAWN BY jcirilli
REV.	SCALE 3/8" = 1'-0"



VENDOR 5



CAPTIVEAIR

JOB West Social FoodHall (Dayton)	
LOCATION Dayton, OH, 45402	
DATE 12/23/2021	JOB # 4604989
DWG # 5	DRAWN BY jcirilli
REV.	SCALE 3/8" = 1'-0"