

1 MECHANICAL FLOOR PLAN
1/4" = 1'-0"

LEGEND			
A-12-400	TYPE - NECK SIZE - CFM	EF#1	EXHAUST FAN #1 (TYP.)
(S)	REMOTE TEMPERATURE SENSOR	(A)	PULL STATION
(H)	HUMIDITY SENSOR	(R)	RETURN/EXHAUST
(A)	STROBE AUDIO/VISUAL ALARM-ANNUNCIATOR	(D)	SUPPLY DIFFUSER (TYP.)
12x18	DUCT SIZE (REVERSE FOR ELEVATION VIEWS) 1ST NUMBER - HORIZONTAL DIMENSION 2ND NUMBER - VERTICAL DIMENSION	(1)	PLAN NOTE REFERENCE
(AC#1)	AIR CONDITIONING UNIT #1 (TYP.)	(CF)	CIRCULATING FAN
(M)	MANUAL VOLUME DAMPER	(SD)	SMOKE DETECTOR
(CO2)	CO2 SENSOR	(AD#1)	AIR DOOR#1 (TYP.)
		(CP)	CONTROL PANEL

FLEX DUCT SIZE			
RANGE	SIZE	RANGE	SIZE
0-80 CFM	6" DIA.	511-750 CFM	14" DIA.
81-170 CFM	8" DIA.	701-1100 CFM	16" DIA.
171-300 CFM	10" DIA.	1101-1450 CFM	18" DIA.
301-510 CFM	12" DIA.	1451-1900 CFM	20" DIA.

NOTES:

- BASED ON WIRE HELIX FLEXIBLE DUCT, TYPE FLEX-MASTER.
- UL LISTING: U-181 ETL CLASS 1 AIR DUCT.
- STANDARD CODE: NFPA 90A AND 90B, BOCA, SBCC HUD/FHA, MIN PROPERTY STD.
- FLAME SPREAD... LESS THAN 25
- SMOKE DEVELOP... LESS THAN 50
- MIN R8 U FOR ATTIC/UNCONDITION SPACE. MANUFACTURER IS TO BE USED AS A BASIS FOR DESIGN. CONTACT ENGINEER OF RECORD TO SUBMIT ON APPROVED EQUALS.

NOTE: REFER TO SCHEDULES AND DETAILS MECHANICAL SHEET FOR FURTHER INFORMATION.

NOTE: MECHANICAL CONTRACTOR TO PROVIDE TEST AND BALANCE REPORT BEFORE FINAL INSPECTION.

NOTE: ALL NEW HOODS SHALL BE RATED WITH ONE INCH THICK LAYER OF FACTORY INSTALLED INSULATION TO MEET "ZERO INCH CLEARANCE" TO COMBUSTIBLE MATERIALS. HOOD SHALL BE CERTIFIED BY ETL SPECIFICATIONS, AND SHALL CONFORM TO UL STANDARD 710, BUILT PER NFPA 96 SECTION 4.2.2., AND NSF LISTED. REFER TO SHEET MH-101.

NOTE: IF BALANCING DAMPERS ARE NOT EXISTING IN THE BRANCH DUCT OR AT THE TAKE-OFF, MECHANICAL CONTRACTOR SHALL SUPPLY AND INSTALL NEW BALANCING DAMPERS WITHIN THE BRANCH DUCT (TYPICAL).

OMD CANOPY NOTE

REFER TO SHEET M-601 FOR FURTHER INFORMATION REGARDING CANOPY SCOPE. MECHANICAL CONTRACTOR TO PURCHASE AND MOUNT NEW CIRCULATION FANS. COORDINATE EXACT NUMBER OF FANS WITH CANOPY MANUFACTURER.

NOTE: GENERAL CONTRACTOR TO HIRE REFRIGERATION CONTRACTOR TO RECLAIM REFRIGERANT FROM EXISTING FREEZER/COOLER ICE MAKERS AND RECHARGE EXISTING ICE MAKERS AFTER EQUIPMENT IS REINSTALLED. REFER TO KEY NOTES #2 AND #5 ON SHEET M-101.

- HVAC GENERAL NOTES**
- DUCT SIZES SERVING DIFFUSERS AND GRILLES ARE SAME SIZE AS DIFFUSER OR GRILLE NECK UNLESS NOTED OTHERWISE.
 - MECHANICAL CONTRACTOR SHALL BALANCE HVAC SYSTEM AS SHOWN ON THE PLAN & RTU SCHEDULE. IF AIRFLOWS DIFFER BY MORE THAN 5%, CONTACT CFA CONSTRUCTION MANAGER.
 - NO PIPING OR DUCTWORK ALLOWED ABOVE ANY ELECTRICAL/CONTROL PANELS.
 - COORDINATE NEW WORK WITH EXISTING CONDUITS, STRUCTURE, & PIPING. FIELD VERIFY EXISTING CONDITIONS PRIOR TO COMMENCING WORK. CONTRACTOR TO NOTIFY DESIGN TEAM WITHOUT DELAY IF ACTUAL LOCATION OF EXISTING MECHANICAL EQUIPMENT DOES NOT MATCH FLOOR PLAN.
 - CONTRACTOR SHALL CLEAN & REFURBISH ALL EXISTING DUCTWORK. PATCH & REPAIR OPENING AIR TIGHT OF EXISTING DUCTWORK AS REQUIRED (TYPICAL ALL). FIELD VERIFY AND COORDINATE ALL EXISTING HVAC SIZES, LOCATIONS, AND CONDITION PRIOR TO BID.
 - REUSE AND REWORK EXISTING HVAC DUCTWORK. PROVIDE NEW SECTION FOR RECONNECTION AS REQUIRED. FIELD VERIFY ALL REQUIREMENTS PRIOR TO BID.
 - CONTRACTOR SHALL BALANCE, INSPECT, REPAIR, OR REPLACE AS NECESSARY IF REQUIRED FOR EXISTING CEILING OR SIDEWALL MOUNTED AIR DEVICES TO REMAIN. FIELD VERIFY AND COORDINATE EXACT SIZE, AIR QUANTITY, LOCATION, AND CONDITION PRIOR TO BID. AIR FLOW SHALL REMAIN AS IS UNLESS NOTED ON PLAN, OR DIRECTED BY CONSTRUCTION MANAGER. ANY DEFICIENCIES OR DISCREPANCIES SHALL BE REPORTED TO ARCHITECT/ENGINEER IMMEDIATELY. COORDINATE AIR BALANCE RESULTS WITH CONSTRUCTION MANAGER.
 - FLEXIBLE DUCT NOT SHOWN FOR CLARITY. ALL TAKE-OFFS SHALL INCLUDE FLEXIBLE DUCT. SEE DETAIL 1/M-401 FOR FLEXIBLE DUCT INSTALLATION REQUIREMENTS.
 - UNLESS NOTED OTHERWISE, MC TO ADJUST ALL DIFFUSER AIR PATTERN DEFLECTORS TO THROW HORIZONTALLY ALONG THE CEILING.
 - SUPPORT ALL DUCT DROPS AT BASE OF DROP FROM STRUCTURE.

- HVAC KEY NOTES**
- TRANSITION IN VERTICAL DROP FROM FULL SIZE OF CURB OPENING TO SIZE SHOWN. TRANSITION WITHIN THE CURB WHERE REQUIRED TO AVOID STRUCTURE. NO TURNING VANES IN ELBOW, FOR RETURN AIR ONLY.
 - PROVIDE A NEW KITCHEN HOOD EXHAUST FAN REPLACING THE EXISTING FAN THROUGH THE EXISTING ROOF OPENING. PROVIDE NEW FAN WITH NEW CURB LOCATION SHOWN ON PLAN. ENSURE A MINIMUM OF 10 FT FROM ANY NEW OR EXISTING OUTSIDE AIR INTAKE. COORDINATE THE EXACT LOCATION IN THE FIELD WITH EXISTING EQUIPMENT AND PIPING. SEE THE DETAIL ON M-401 FOR THE ORIENTATION OF THE HINGE SIDE OF THE FAN ON THE CURB.
 - PROVIDE NEW KITCHEN HOOD EXHAUST FAN WITH NEW CURB LOCATION SHOWN ON PLAN. LOCATE A MINIMUM OF 10 FT FROM PARAPET WALLS OR FROM ANY NEW OR EXISTING OUTSIDE AIR INTAKE. COORDINATE THE EXACT LOCATION IN THE FIELD WITH EXISTING EQUIPMENT AND PIPING. SEE THE DETAIL ON M-401 FOR THE ORIENTATION OF THE HINGE SIDE OF THE FAN ON THE CURB.
 - CJ-3 MOUNTED INSIDE CABINETS SERVING SCJ PLENUM, SEE DETAIL ON MH-101.
 - NEW SUPPLY AIR DIFFUSERS. THE CONTRACTOR SHALL EXTEND THE EXISTING SUPPLY AIR DUCT AS REQUIRED. CFM IS EXISTING TO REMAIN.
 - NEW RETURN AIR GRILLES. THE CONTRACTOR SHALL EXTEND THE EXISTING RETURN AIR DUCT AS REQUIRED. CFM IS EXISTING TO REMAIN.
 - STRONG SYSTEMS SHALL SUPPLY AND INSTALL CO2 SENSOR ANALOX-A60. SENSOR SHALL BE MOUNTED AT 12" AFF WITH SPLASH GUARD AND CAGE. ELECTRICAL CONTRACTOR: PROVIDE SINGLE-GANG J-BOX WITH 1/2" CONDUIT EXTENDED TO ABOVE ACCESSIBLE CEILING SPACE. INSTALL PER MANUFACTURER'S RECOMMENDATIONS AND PER LOCAL CODE REQUIREMENTS. FIELD VERIFY THE EXACT LOCATION AND ALL REQUIREMENTS PRIOR TO BIDDING AND CONSTRUCTION. FOR MORE INFORMATION CONTACT: STRONG SYSTEMS INTERNATIONAL, INC. CHRIS VERCH (770) 729-1199 OR (770) 462-2501.
 - STRONG SYSTEMS SHALL SUPPLY AND INSTALL CO2 ANNUNCIATOR MOUNTED AT 60" AFF. ELECTRICAL CONTRACTOR: PROVIDE SINGLE-GANG J-BOX WITH 1/2" CONDUIT EXTENDED TO ABOVE ACCESSIBLE CEILING SPACE. INSTALL PER MANUFACTURER'S RECOMMENDATIONS AND PER LOCAL CODE. FIELD VERIFY THE EXACT LOCATION AND ALL REQUIREMENTS PRIOR TO BIDDING AND CONSTRUCTION. FOR MORE INFORMATION CONTACT: STRONG SYSTEMS INTERNATIONAL, INC. CHRIS VERCH (770) 729-1199 OR (770) 462-2501.

- YOUNG REGULATOR 10" MODEL 2010 ROUND ZONE DAMPER WITH MODEL T-312CE AUTOMATIC CHANGE-OVER THERMOSTAT. MOUNT CENTER OF T'STAT AT 4'-0" AFF. POWER OPENING/SPRING CLOSE. ADJUST MECHANICAL LIMIT FOR 75 CFM MINIMUM AIRFLOW. PROVIDE 120V/24V, 50 VA TRANSFORMER TO SERVE ZONE DAMPER ACTUATOR AND THERMOSTAT, POWERED FROM 120V POWER CIRCUIT THAT REMAINS LIVE 24/7. PROVIDE ALL NECESSARY WIRING AND COMPONENTS FOR CONTROL AND POWER CONNECTIONS PER MANUFACTURER'S IOM. THERE IS NO INTERLOCKING/MONITORING FROM THE S.E.C. CFA-500 PANEL. SEE WIRING DIAGRAMS ON M-501. CHICK-FIL-A HAS A NATIONAL ACCOUNT W/ WITH TOM BARROW COMPANY FOR THE ZONE DAMPER. THE MECHANICAL CONTRACTOR SHALL PURCHASE THE ZONE DAMPER DIRECTLY FROM TOM BARROW COMPANY. CONTACT MR. SCOTT GEORGE AT 404-351-1010. FOR PRICING AND AVAILABILITY. ZONE DAMPERS NOT PURCHASED THRU TOM BARROW COMPANY WILL NOT BE ACCEPTED.
- MOUNT THE NEW LENNOX HUMIDITY SENSOR ON THE WALL ABOVE THE SPACE TEMP SENSOR AND ROUTE NEW WIRING TO THE UNIT ON THE ROOF. PROVIDE NEW CONTROL WIRE TO ACCOMMODATE LOCATION, DO NOT SPLICE WIRE.
- MOUNT A NEW REMOTE TEMPERATURE SENSOR ON THE WALL AT 60" AFF AND ROUTE NEW WIRING BACK TO THE TEMP CONTROL PANEL. FOR SENSOR SERVING KITCHEN AC#1, COORDINATE THE EXACT LOCATION WITH KITCHEN EQUIPMENT PRIOR TO BID AND CONSTRUCTION.
- PROVIDE LENNOX FACTORY INSTALLED SUPPLY SIDE & RETURN SIDE SMOKE DETECTORS. REFER TO SCHEDULE ON SHEET M-402 AND LENNOX SMOKE DETECTOR AND ANNUNCIATOR WIRING DIAGRAM ON SHEET M-501.
- STRONG SYSTEMS SHALL SUPPLY AND INSTALL CO2 CENTRAL CONTROL UNIT MOUNTED AT 60" AFF. ELECTRICAL CONTRACTOR: PROVIDE SINGLE-GANG J-BOX WITH 1/2" CONDUIT EXTENDED TO ABOVE ACCESSIBLE CEILING SPACE. INSTALL PER MANUFACTURER'S RECOMMENDATIONS AND PER LOCAL CODE. FIELD VERIFY THE EXACT LOCATION AND ALL REQUIREMENTS PRIOR TO BID AND CONSTRUCTION. COORDINATE WITH ELECTRICAL DRAWING E2.2 FOR EXACT LOCATION. FOR MORE INFORMATION CONTACT: STRONG SYSTEMS INTERNATIONAL, INC. CHRIS VERCH (770) 729-1199 OR (770) 462-2501.
- (2) 28x20 SUPPLY AIR RTU DROP AND (1) 60x15 RETURN AIR DROP FROM NEW KITCHEN AC#1.
- SUPPLY AIR DUCT ROUTED BELOW BAR JOIST AS HIGH AS POSSIBLE.
- 50"x18" RETURN AIR PLENUM AS CLOSE AS POSSIBLE TO BOTTOM OF ROOF JOIST.
- 16"Ø SIDE TAP RETURN AIR PLENUM WITH SPIN-IN FITTINGS AND DAMPER. REFER TO THE AIR DEVICE SCHEDULE FOR FURTHER INFORMATION.
- CONTRACTOR SHALL INSTALL AND ROUTE NEW INSULATED REFRIGERANT PIPING FROM ROOF-MOUNTED REMOTE CONDENSER TO FREEZER & COOLER EVAPORATORS.

- 20"x18" SUPPLY AIR RTU DROP TO 18"x16" AND 29"x11" RETURN AIR DROP TO 29"x20" FROM NEW AC#6 UNIT.
- AIR CURTAIN (AD#1) MOUNTED WITHIN THE CEILING CENTERED ABOVE THE DRIVE-THRU DOOR 6" FROM THE EXTERIOR WALL AND (AD#2) MOUNTED WITHIN THE CEILING CENTERED ABOVE THE DRIVE-THRU DOOR 1'-6" FROM THE EXTERIOR WALL. PROVIDE AIR DIVERTER CONE ABOVE DOOR FOR (AD#1). REFER TO SHEET M-401 FOR INFORMATION. ATTACH AIR CURTAIN TO STRUCTURE USING 3/8" ALL THREAD SUPPORTS.
- FIELD WIRE FACTORY PROVIDED CONTROLS. SEE KITCHEN ELEVATIONS FOR THE EXACT LOCATION OF THE SWITCH. MC IS RESPONSIBLE FOR ALL FINAL CONNECTIONS FOR LOW VOLTAGE INTERLOCK WITH THE TORMAX DOOR. REFER TO SHEET M-501 FOR INFORMATION.
- AIR DOOR MOUNTED OVER DOOR HEADER AT 7'-4" AFF TO BOTTOM OF UNIT. PROVIDE BLOCKING IN THE WALL BEHIND AIR CURTAIN. USE FACTORY PRE-PUNCHED MOUNTING HOLES ON THE BACK SIDE OF THE AIR CURTAIN ONLY. ATTACH AIR CURTAIN TO WALL USING 3/8" LAG BOLTS. LENGTH AS REQUIRED TO FULLY PENETRATE BLOCKING. LOCATE MAGNETIC CONTACT TYPE MICROSWITCH IN DOOR FRAME ON STRIKE SIDE.
- NEW EXHAUST AIR DIFFUSERS. THE CONTRACTOR SHALL EXTEND EXISTING EXHAUST AIR DUCT AS REQUIRED. CFM IS EXISTING TO REMAIN.
- MECHANICAL CONTRACTOR TO ADJUST PATTERN DEFLECTORS TO THROW STRAIGHT DOWN.
- NEW SPLIT SYSTEM AIR HANDLER. COORDINATE LOCATION WITH KITCHEN EQUIPMENT CONTRACTOR AND ELECTRICAL CONTRACTOR.
- EXISTING RETURN AIR GRILLES TO REMAIN. BALANCE TO 880 CFM EACH.
- LOCATE NEW SENSOR(S) AT THIS LOCATION. REFER TO KEY NOTES #10 & #11 FOR INSTALLATION INFORMATION.
- NEW SUPPLY AIR DIFFUSERS. CONTRACTOR SHALL EXTEND EXISTING SUPPLY AIR DUCT AS REQUIRED. BALANCE TO 540 CFM.
- NOTE NOT USED.
- EXISTING AC#2 TRUNK DUCT SHOWN FOR REFERENCE ONLY.

- NOTE NOT USED.
- EXISTING TRUNK DUCT FOR AC#3 SHOWN FOR REFERENCE ONLY. EXTEND BRANCH DUCTS SIMILARLY TO SERVE NEW SPACES. EXISTING AIRFLOW TO REMAIN.

Autodesk Docs://FL_02088_Oakleaf Town Center FSU_2022.11_REI102088_MEC_Oakleaf Town Center (copy of C291118) Remodel.rvt
7/25/2024 3:23:59 PM
30-02088-M-201-MECHANICAL FLOOR PLAN

Chick-fil-A
5200 Buffington Road
Atlanta, Georgia
30349-2998

CPH
www.cphcorp.com
A Full Service
A & E Firm
Plans Prepared By:
CPH, LLC.
Licenses:
Eng. C.O.A. No. 3215
Survey L.B. No. 7143
Arch. Lic. No. A22500926
Landscape Lic. No. LC0000298

CHICK-FIL-A
OAKLEAF TOWN CENTER
9630 APPECROSS RD
JACKSONVILLE, FL 32222

FSU#02088
BUILDING TYPE / SIZE: 506(C)-R
RELEASE: 22.05

REVISION SCHEDULE	
NO.	DATE DESCRIPTION
2	12-15-2023 Permit Rev 2
3	03-05-2024 BID ADD 1
6	07-26-2024 CONST REV 3

CONSULTANT PROJECT # C291100
PRINTED FOR PERMIT
DATE 07/21/2023
DRAWN BY JRH

Information contained on this drawing and in all digital files produced for above named project may not be reproduced in any manner without express written or verbal consent from the project representation.

SHEET
MECHANICAL FLOOR PLAN
SHEET NUMBER
M-201

FOR CONSTRUCTION

CIRCULATING FAN SCHEDULE

MARK	CFM	RPM	HP	MODEL	MANUFACTURER
CF	5,750	1,625	1/8	U18TE-HD	TPI

REMARKS

- ALUMINUM PADDLE WITH STEEL HUB/SPIDER PROPELLER
- 360° ROTATING HEAD HORIZONTALLY AND VERTICALLY
- OSHA COMPLIANT DOUBLE LOCKING, COATED STEEL WIRE GUARD
- 3-SPEED, TOTALLY ENCLOSED, PERMANENTLY LUBRICATED BALL BEARING MOTOR
- FACTORY PRE-WIRED POWER CORD
- PROVIDE FACTORY WALL MOUNTING BRACKET. SEE MANUFACTURERS RECOMMENDATIONS FOR INSTALLATION INSTRUCTIONS
- PROVIDE ENGRAVED PLASTIC LABEL AT EACH UNIT WITH UNIT DESIGNATION IN 1" HIGH WHITE LETTERS ON A BLACK BACKGROUND. MOUNT TO UNDERSIDE OF CANOPY OR EXISTING OVERHANG, FACING DOWNWARD, 12" LATERALLY FROM THE FAN LOCATION
- REMOVE PULL CHAIN EXTENSION AT ON/OFF SWITCH IN FIELD
- FACTORY CERTIFIED FOR OUTDOOR INSTALLATION

AIR DEVICE SCHEDULE

MARK	DESCRIPTION	LOCATION	NECK SIZE	FACE SIZE	FRAME TYPE	REMARKS
A	PRICE MODEL APCD ALUMINUM SUPPLY AIR DIFFUSER WITH INDIVIDUALLY ADJUSTABLE CURVED AIR PATTERN CONTROLLERS	DINING/ KITCHEN	VARIES	24"x24"	LAY-IN	1,7
C	PRICE MODEL SMCD STEEL SUPPLY AIR DIFFUSER FIELD ADJUSTABLE AIR PATTERN CONTROLLERS	ENTRY	14"x14"	19"x19"	BEVELED	1,5,6
E	TITUS MODEL 27ZFL DOUBLE DEFLECTION ALUMINUM SIDEWALL SUPPLY GRILLE, FRONT BLADE PARALLEL TO LONG SIDE.	PLAYGROUND	18"x12"	20"x14"	SURFACE	1
F	PRICE MODEL 80 EGGCRATE RETURN AIR GRILLE WITH REMOVABLE WHITE CORE FACTORY FLAT BLACK BACKPAN AND ROUND NECK	DINING/ OFFICE/ KITCHEN	VARIES	24"x24"	LAY-IN	1,7
J	PRICE MODEL SMCD STEEL SUPPLY AIR DIFFUSER FIELD ADJUSTABLE AIR PATTERN CONTROLLERS	RESTROOMS	10"x10"	15"x15"	BEVELED	1,2,5,6
K	PRICE MODEL APDR ALUMINUM PERFORATED FACE RETURN AIR GRILLE.	RESTROOM ENTRY	14"x14"	16"x16"	SURFACE	1,4,5,6
L	PRICE MODEL 21 ALUMINUM SIDEWALL RETURN GRILLE, FRONT BLADE PARALLEL TO LONG SIDE	PLAY AREA	12"x12"	14"x14"	SURFACE	1

NOTES

- CHICK-FIL-A HAS A NATIONAL ACCOUNT WITH TOM BARRROW COMPANY FOR THE AIR DEVICES. THE MECHANICAL CONTRACTOR SHALL PURCHASE THE AIR DEVICES DIRECTLY FROM TOM BARRROW COMPANY. CONTACT MR. SCOTT GEORGE AT 404-351-1010, FOR PRICING AND AVAILABILITY. AIR DEVICES NOT PURCHASED THRU TOM BARRROW COMPANY WILL NOT BE ACCEPTED.

REMARKS

- STANDARD OFF WHITE FINISH
- PROVIDE MODELVCS3 NECK DAMPER.
- NOT USED
- PROVIDE MODEL VCR7 NEC DAMPER ON GRILLES IN RESTROOMS SERVING EXHAUST FAN.
- PROVIDE BACKPAN, MC TO SEAL JOINTS WITH MASTIC AND INSULATE EXTERNALLY.
- FIELD INSULATE BACKPAN AS SHOWN ON DETAIL 2 ON SHEET M3.1.
- FACTORY INSULATED R-6 BACKPAN.

AIR BALANCE SCHEDULE

MARK	SUPPLY AIR	RETURN AIR	OUTSIDE AIR	EXHAUST AIR	BUILDING POSITIVE PRESSURE
NEW AC#1	9,500	7,500	2,000		
NEW AC#2	2,800	2,260	540		
NEW AC#3	4,000	3,150	850		
NEW AC#4	2,765	2,165	600		
NEW AC#5	1,800	1,440	360		
NEW AC#6	1,200	960	240		
TOTALS:	22,065	17,475	4,590	3,715	875.0

NOTES

- CONTRACTOR SHALL REBALANCE AIR CONDITIONING SYSTEMS TO VALUES LISTED ABOVE.

EXHAUST FAN SCHEDULE

MARK	CFM	ESP	RPM	HP	AREA SERVED	MODEL	MANUFACTURER	REMARKS
EF#1	1,912	0.75	1,078	3/4	HOOD H-1 L&R	180VCR	LOREN COOK	1,2,3,4,5,7
EF#2	701	0.75	1,216	1/3	HOOD H-3	150VCR-HP	LOREN COOK	1,2,3,4,5,7
EF#3	400	-	-	-	RESTROOMS	-	EXISTING	6
EF#4	701	0.75	1,216	1/3	HOOD H-2	150VCR-HP	LOREN COOK	1,2,3,4,5,7

NOTES

- GREASE FAN RPM BASED ON 80 DEGREE F AIR AT 1000 FEET ABOVE SEA LEVEL.
- GREASE EXHAUST FANS SHALL BE UL 762 LISTED.
- CHICK-FIL-A HAS A NATIONAL ACCOUNT WITH TOM BARRROW COMPANY FOR THE FAN/CURB PACKAGE. THE MECHANICAL CONTRACTOR SHALL PURCHASE THE AIR DOORS DIRECTLY FROM TOM BARRROW COMPANY. CONTACT MR. SCOTT GEORGE AT 404-351-1010, FOR PRICING AND AVAILABILITY. FANS AND CURBS NOT PURCHASED THRU TOM BARRROW COMPANY WILL NOT BE ACCEPTED.

REMARKS

- PROVIDE FACTORY 1'-0" BASE CURB AND EXTENSION.
- PROVIDE FACTORY INSTALLED, PRE-WIRED, NEMA 3 NON-FUSED DISCONNECT.
- PROVIDE FACTORY INSTALLED HINGED BASE KIT. REFER TO DETAIL SHEET M3.1 FOR HINGE LOCATION INFORMATION.
- PROVIDE AND INSTALL ROOFTOP SOLUTIONS G2 DRIP GUARD. MECHANICAL CONTRACTOR TO CONTACT ROOFTOP SOLUTIONS AT 800-913-7034.
- INTEGRAL THERMAL OVERLOAD WITH AUTOMATIC RESET.
- EXISTING EXHAUST FAN TO REMAIN.
- PROVIDE ROOFTOP ANCHORING. REFER TO 6/M-301.

AIR DOOR SCHEDULE

MARK	CFM	VELOCITY	HEATING CAPACITY	HP	AREA SERVED	MODEL	MANUFACTURER	REMARKS
AD#1	1,543	2,240 FPM	10 KW	3/4 HP	DRIVE THRU	CHA-148(E)	POWERED AIRE	1,2,3,5
AD#2	3,867	4,220 FPM	N/A	3/4 HP	REAR DOOR	RBT-148	POWERED AIRE	4
AD#3	1,197	2,443 FPM	10 KW	3/4 HP	DRIVE THRU	CHA-136(E)	POWERED AIRE	1,2,3

NOTES

- CHICK-FIL-A HAS A NATIONAL ACCOUNT WITH TOM BARRROW COMPANY FOR THE AIR DOORS. THE MECHANICAL CONTRACTOR SHALL PURCHASE THE AIR DOORS DIRECTLY FROM TOM BARRROW COMPANY. CONTACT MR. SCOTT GEORGE AT 404-351-1010, FOR PRICING AND AVAILABILITY. AIR DOORS NOT PURCHASED THRU TOM BARRROW COMPANY WILL NOT BE ACCEPTED.

REMARKS

- FACTORY PROVIDED, WIRED AND UNIT MOUNTED SPEED CONTROLLER LOCATED ABOVE CEILING.
- FACTORY WIRED DISCONNECT.
- FACTORY PROVIDED, FIELD INSTALLED BY MC, REMOTE WALL SWITCHES FOR HEATING ON/OFF AND FAN ON/AUTO. SEE DETAIL, AIR CURTAIN WIRING DIAGRAM.
- FACTORY PROVIDED MAGNETIC DOOR CONTACT WITH FACTORY INSTALLED LOW VOLTAGE CONTROLS LOCATED IN AIR DOOR CABINET.
- PROVIDE WITH DIVERTER BOX. PROVIDE WITH MOUNTING BRACKETS PER MANUFACTURER'S RECOMMENDATION. INSTALL 6" FROM THE WALL.

ELECTRIC ROOFTOP UNIT SCHEDULE

MARK	AREA SERVED	TONNAGE	COOLING CAPACITY (MBH)		HEATING CAPACITY (MBH)		FAN SECTION (CFM) INCLUDING EXISTING AC UNITS REBALANCE				MODEL	% OA	MODEL	MANUFACTURER	ELECTRICAL DATA			REMARKS	APPROX. WEIGHT WITH OPTIONS (POUNDS)
			TOTAL	SENS	KW	MBH	SUPPLY	O.A.	HP	ESP					V/PH/Hz	MCA	MOPP		
NEW AC#1	KITCHEN	25.0	291.6	247.0	30	102.4	2,900	2,000	10	0.8	-	21.3%	LCT300H4M	LENNOX	208/3/60	146	175	1,3,4,5,7,8,9,10,12,14,15,16,17,18,20	2,700
NEW AC#2	DINING A, RR	8.5	95.8	71.8	15	51.2	2,800	540	3.75	0.8	-	17.9%	LCT102H4EE	LENNOX	208/3/60	53	60	1,3,4,5,7,8,9,10,12,14,15,16,17,20	1,300
NEW AC#3	DINING B, DRIVE-THRU	10.0	121.9	95.0	15	51.2	4,000	850	3.75	0.8	-	21.3%	LCT120H4EE	LENNOX	208/3/60	54	70	1,3,4,5,7,8,9,10,12,14,15,16,17,18,20	1,350
NEW AC#4	DINING B	7.5	92.5	69.4	15	51.2	2,765	600	3.75	0.8	-	21.7%	LCT092H4EE	LENNOX	208/3/60	53	60	1,3,4,5,7,8,9,10,12,14,15,16,17,20	1,300
NEW AC#5	PLAY AREA	5.0	63.0	48.6	7.5	25.6	1,800	360	1.5	0.8	-	20.0%	LCT060H4EC	LENNOX	208/3/60	29	40	2,3,4,5,7,8,9,10,12,14,15,16,17,20	800
NEW AC#6	BOH	3.0	37.0	27.7	7.5	25.6	1,200	240	0.5	0.5	-	20.0%	LCT036H4EC	LENNOX	208/3/60	25	26	2,3,4,5,7,8,9,10,12,14,15,16,17,20	800

NOTES

- COOLING CAPACITIES ARE GROSS, BASED ON ENTERING: 80FDB/67FWB, OUTDOOR: 95FDB, AND 400 CFM PER TON.
- CHICK-FIL-A MAINTAINS A NATIONAL ACCOUNT FOR EQUIPMENT WITH LENNOX CORPORATION. CONTACT LENNOX NATIONAL ACCOUNTS AT 972-497-6219 (OR BY FAX AT 972-497-5112) FOR PRICING, ORDERING AND AVAILABILITY.
- MECHANICAL CONTRACTOR TO VERIFY LENNOX SUBMITTAL WITH CONSTRUCTION DOCUMENTS.

REMARKS

- PROVIDE DIFFERENTIAL ENTHALPHY ECONOMIZER WITH POWER EXHAUST.
- PROVIDE DIFFERENTIAL ENTHALPHY ECONOMIZER WITH BAROMETRIC EXHAUST.
- PROVIDE 14" HIGH ROOF CURB. PROVIDE CURBS PLUS ANCHOR IN ACCORDANCE WITH NOA #21-1119.01. REFER TO 8/M-401 FOR ANCHORING.
- SEE DETAIL ON SHEET M-501 FOR SETTING OF PRODIGY M3 BOARD CONTROL PARAMETERS BY MC.
- PROVIDE FACTORY INSTALLED AND UNIT POWERED 115V GFI SERVICE OUTLET.
- PROVIDE FACTORY INSTALLED 115V GFI SERVICE OUTLET.
- PROVIDE FACTORY INSTALLED SUPPLY AND RETURN SIDE SMOKE DETECTOR.
- PROVIDE FACTORY INSTALLED NON-FUSED DISCONNECT.
- PROVIDE 2" MERV 8 THROW AWAY FILTERS.
- PROVIDE HINGED PANELS FOR FILTER ACCESS, FAN MOTOR ACCESS, COMPRESSOR ACCESS AND CONTROL COMPARTMENT ACCESS.
- ADJUST GAS MANIFOLD PRESSURE AT LOCATIONS WHERE ELEVATION EXCEEDS 2000' ABOVE SEA LEVEL AS RECOMMENDED BY MANUFACTURER.
- PROVIDE FRESH AIR TEMPERING KIT.
- PROVIDE FACTORY COIL HALL GUARD, FIELD INSTALLED.
- PROVIDE HUMIDITROL OPTION WITH FACTORY WALL MOUNTED HUMIDITY SENSOR.
- PROVIDE FACTORY INSTALLED BELT TENSIONER.
- PROVIDE FACTORY CONFUSED PHASE LOSS PROTECTION.
- PROVIDE FACTORY INSTALLED CONDENSATE PAN DRAIN OVERFLOW SWITCH.
- PROVIDE UNIT WITH MSAV BLOWER.
- PROVIDE FACTORY STAINLESS STEEL HEAT EXCHANGER.
- PROVIDE WITH 100K SCCR RATING.

CONTRACTOR SHALL VERIFY EXACT ELECTRICAL CONNECTIONS, WIRE SIZES, BREAKERS, DISCONNECT, ETC. FOR THE NEW ROOFTOP UNITS PRIOR TO ORDERING AND BID.

DUCTLESS SPLIT SYSTEM

UNIT MARK	SERVICE	LOCATION	SEER	EER	INDOOR UNIT				FAN DATA	ELECTRICAL SERVICE				MANUFACTURER MODEL NUMBER (AS STANDARD)	UNIT NUMBER	LOCATION	OUTDOOR UNIT				REMARKS				
					TOTAL MBH	SENSIBLE MBH	INDOOR TEMP DB(F) / WB(F)	OUTDOOR TEMP DB(F)		CFM 3-SPEED	MCA	MOPP	VOLTS				PH	HZ	MCA	MOPP		VOLTS	PH	HZ	
AC#7	DRIVE-THRU	DRIVE-THRU	16.2	12.0	33.5	23.8	75	64	95	635-73-830	1.0	--	208	1	60	MITSUBISHI / PKA-A30KA7	CU#7	ROOFTOP	28.0	40	208	1	60	MITSUBISHI / PUZ-HA36NH45	1,2,3,4,5,6,7,8,9

NOTES

- INDOOR UNIT SHALL BE STANDARD COLOR: WHITE
- PROVIDE WITH INDOOR MOUNTING BRACKET. COORDINATE WITH ARCHITECT FOR SUPPORT BLOCKING IN WALL.
- PROVIDE WITH CLEANABLE FILTERS.
- INDOOR UNIT IS POWERED FROM OUTDOOR UNIT.
- PROVIDE WALL-MOUNTED THERMOSTAT MODEL PAR-C01MAU-SB ON WALL. MC TO PROGRAM THERMOSTAT TO MATCH ADJACENT AIR SYSTEM SETPOINTS.
- PROVIDE DRAIN PAN OVERFLOW SENSOR WIRED TO SHUT DOWN UNIT IN CASE OF DETECTION OF INCREASED WATER LEVEL IN DRAIN PAN.
- PROVIDE 208/230V MAXIBLE CONDENSATE PUMP W/RESERVOIR AND SENSOR. IF GRAVITY FLOW TO DRAIN IS NOT FEASIBLE.
- PROVIDE PAC-SE56RA-E CONNECTOR AT INDOOR UNIT CONNECTOR CN3, WIRE ORANGE AND RED WIRES TO SPARE POLE ON R-1 RELAY IN SUNCOAST T-500 PANEL. (TERMINALS 11 & 7, RESPECTIVELY) AND CAP THE BROWN WIRE.
- PROVIDE HIGH-WIND TIE-DOWN ANCHOR IN ACCORDANCE WITH MANUFACTURER RECOMMENDATIONS. REFER TO DETAILS.



Chick-Fil-A

5200 Buffington Road
Atlanta, Georgia
30349-2998

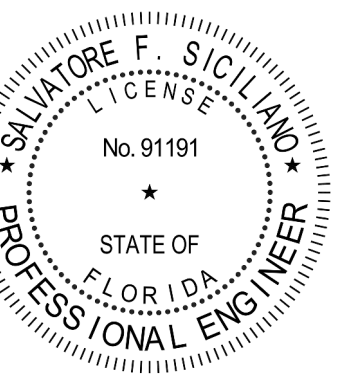


www.cphcorp.com

A Full Service
A & E Firm

Plans Prepared By:
CPH, LLC.

Licenses:
Eng. C.O.A. No. 3215
Survey L.B. No. 7143
Arch. Lic. No. AZ200826
Landscape Lic. No. LC0000298



CHICK-FIL-A
OAKLEAF TOWN CENTER

9630 APPLECROSS RD
JACKSONVILLE, FL 32222

FSU#02088

BUILDING TYPE / SIZE: 506(C)-R
RELEASE: 22.05

REVISION SCHEDULE

NO.	DATE	DESCRIPTION
1	12-15-2023	Permit Rev 2
2	12-15-2023	Permit Rev 2
3	03-05-2024	BID ADD 1

CONSULTANT PROJECT # C291100

DATE	PERMIT
07/21/2023	

DRAWN BY: JRH

Information contained on this drawing and in all digital files produced for above named project may not be reproduced in any manner without express written or verbal consent from the project representatives.

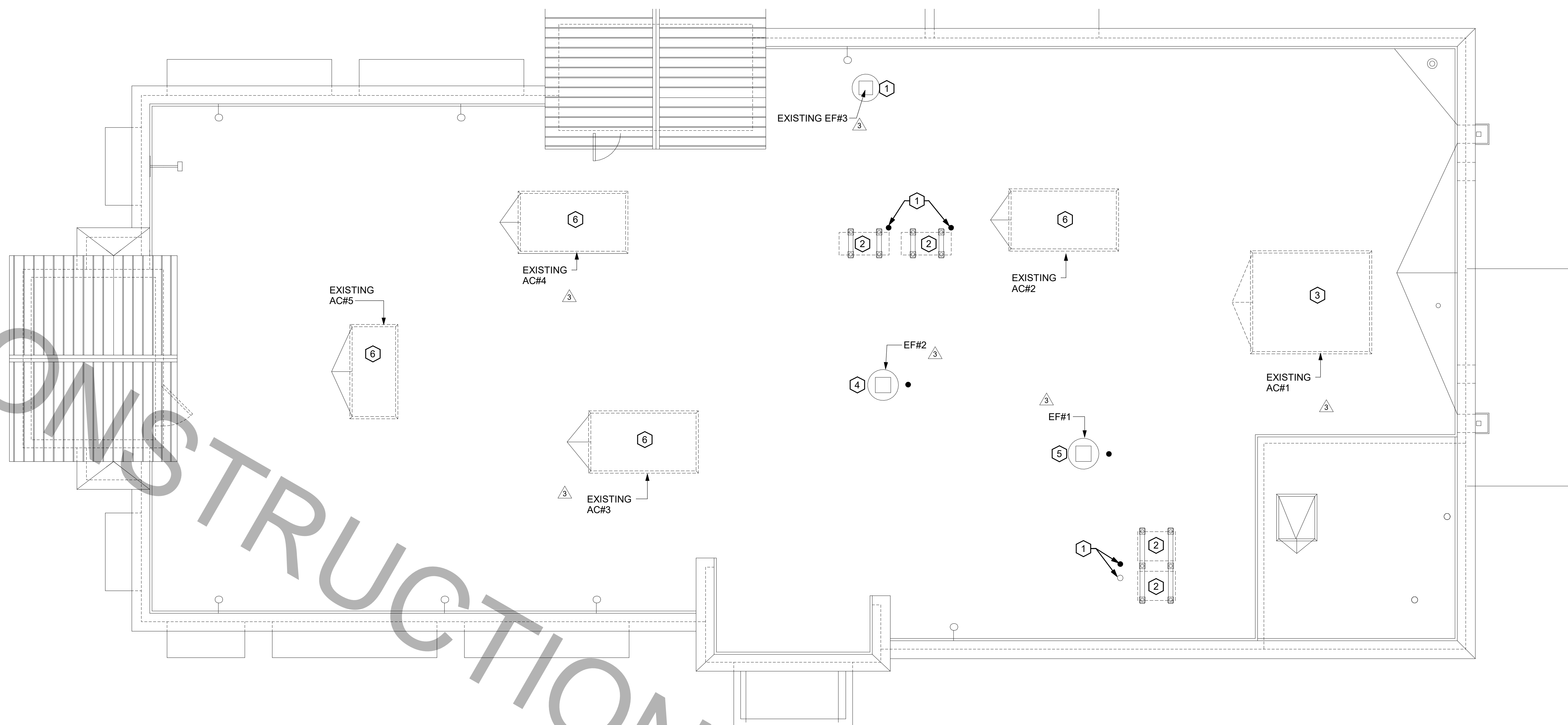
SHEET
HVAC SCHEDULES

SHEET NUMBER

M-402

Autodesk Docs://FL_02088_Oakleaf Town Center FSU_2022.11_REI02088_MEC_Oakleaf Town Center (copy of C291100) Remodel.rvt
3/4/2024 4:17:00 PM
30-02088-M-402-HVAC SCHEDULES

FOR CONSTRUCTION



1 MECHANICAL DEMOLITION ROOF PLAN
1/4" = 1'-0"

MECHANICAL GENERAL NOTES:

1. ALL WORK PERFORMED SHALL BE IN ACCORDANCE WITH ALL LOCAL CODES AND ACCEPTABLE TO THE AUTHORITY HAVING JURISDICTION.
2. ALL DIMENSIONS, CLEARANCES AND TOLERANCES SHALL BE VERIFIED PRIOR TO INSTALLATION.
3. ALL MATERIALS, FIXTURES AND EQUIPMENT USED SHALL BE IN ACCORDANCE WITH CHICK-FIL-A SPECIFICATIONS. SPECIFICATIONS ARE CONTAINED WITHIN THESE DRAWINGS ANY VARIANCE FROM THE CHICK-FIL-A SPECIFICATIONS SHALL BE REVIEWED AND APPROVED BY THE ENGINEER-OF-RECORD.
4. ALL EQUIPMENT SHALL BE INSTALLED IN ACCORDANCE WITH ITS LISTING AND/OR THE MANUFACTURER'S INSTALLATION INSTRUCTIONS.
5. SEE COORDINATION SCHEDULE FOR ADDITIONAL SCOPE OF WORK.

KEY NOTES:

- 1 EXISTING EQUIPMENT TO REMAIN.
- 2 CONTRACTOR SHALL DEMO/REMOVE REMOTE CONDENSING UNITS AND REFRIGERANT PIPING DOWN TO EQUIPMENT BELOW. REFRIGERANT PIPE GOOSENECK AND RACKSTAND ARE EXISTING TO REMAIN FOR RE-USE IN RENOVATION PHASE. REFRIGERANTS THAT ARE RECOVERED FROM REFRIGERANT AND AIR-CONDITIONING SYSTEMS SHALL NOT BE REUSED OTHER THAN IN THE SYSTEM FROM WHICH THEY WERE RECOVERED AND IN OTHER SYSTEMS OF THE SAME OWNER. RECOVERED REFRIGERANTS SHALL BE FILTERED AND DRIED BEFORE REUSE. RECOVERED REFRIGERANTS THAT SHOW CLEAR SIGNS OF CONTAMINATION SHALL NOT BE REUSED UNLESS RECLAIMED IN ACCORDANCE WITH SECTION 1102.2.2 OF THE FBC-M-2020.
- 3 CONTRACTOR SHALL DEMO/REMOVE AND DISCARD KITCHEN AC-1 AND ROOF CURB AS REQUIRED.
- 4 REMOVE EXISTING EXHAUST FAN AND CURB. OPENING TO REMAIN FOR REPLACEMENT FAN TO BE INSTALLED IN SAME LOCATION.
- 5 DEMO/REMOVE EXHAUST FAN AND ROOF CURB. COORDINATE NEW EXHAUST FAN LOCATION WITH M-250.
- 6 CONTRACTOR SHALL DEMO/REMOVE AND DISCARD EXISTING AC#X. ASSESS FEASIBILITY OF ROOF CURB USE FOR HURRICANE ANCHORAGE AND/OR FUTURE USE. REFER TO M-250 FOR INFORMATION.

Autodesk Docs://FL_02088_Oakleaf Town Center FSU_2022.11_REI02088_MEC_Oakleaf Town Center (copy of C291118) Remodel.rvt
3/4/2024 4:16:45 PM
30-02088-M-101-MECHANICAL DEMOLITION ROOF PLAN



CHICK-FIL-A
OAKLEAF TOWN CENTER
9630 APPLECROSS RD
JACKSONVILLE, FL 32222

FSU#02088
BUILDING TYPE / SIZE: S06(C)-R
RELEASE: 22.05

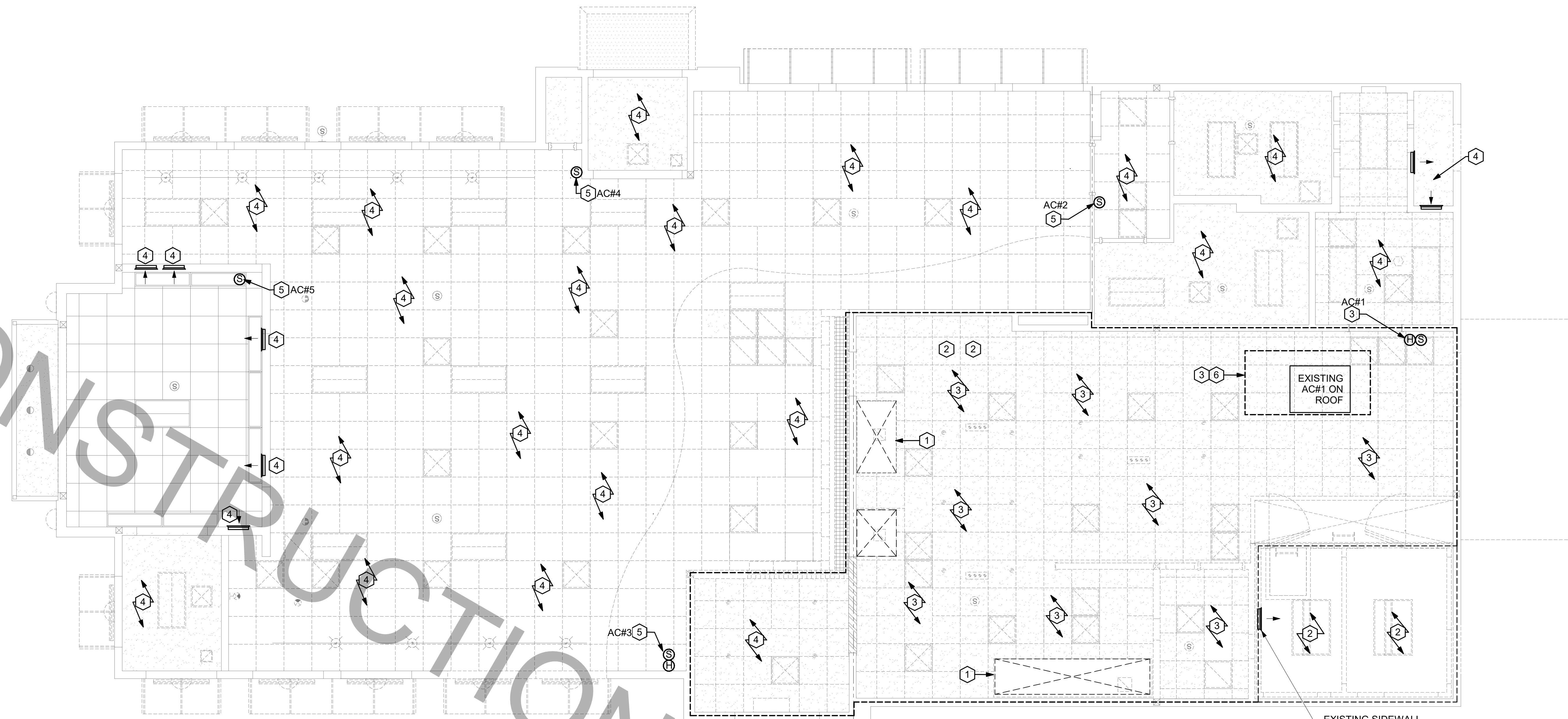
REVISION SCHEDULE		
NO.	DATE	DESCRIPTION
3	03-05-2024	BID ADD 1

CONSULTANT PROJECT #	C291100
PRINTED FOR	PERMIT
DATE	07/21/2023
DRAWN BY	JRH

Information contained on this drawing and in all digital files produced for above named project may not be reproduced in any manner without express written or verbal consent from the project representative.
SHEET
MECHANICAL
DEMOLITION ROOF PLAN
SHEET NUMBER

M-101

FOR CONSTRUCTION



1 MECHANICAL DEMOLITION FLOOR PLAN
1/4" = 1'-0"

MECHANICAL GENERAL NOTES:	KEY NOTES:
<p>1. ALL WORK PERFORMED SHALL BE IN ACCORDANCE WITH ALL LOCAL CODES AND ACCEPTABLE TO THE AUTHORITY HAVING JURISDICTION.</p> <p>2. ALL DIMENSIONS, CLEARANCES AND TOLERANCES SHALL BE VERIFIED PRIOR TO INSTALLATION.</p> <p>3. ALL MATERIALS, FIXTURES AND EQUIPMENT USED SHALL BE IN ACCORDANCE WITH CHICK-FIL-A SPECIFICATIONS. SPECIFICATIONS ARE CONTAINED WITHIN THESE DRAWINGS AND THE CHICK-FIL-A PROJECT MANUAL. ANY CONTRACTOR IN NEED OF A COPY OF THE CHICK-FIL-A PROJECT MANUAL SHALL CONTACT THE CHICK-FIL-A AREA CONSTRUCTION MANAGER. ANY VARIANCE FROM THE CHICK-FIL-A SPECIFICATIONS SHALL BE REVIEWED AND APPROVED BY THE ENGINEER-OF-RECORD.</p> <p>4. ALL EQUIPMENT SHALL BE INSTALLED IN ACCORDANCE WITH ITS LISTING AND/OR THE MANUFACTURER'S INSTALLATION INSTRUCTIONS.</p> <p>5. SEE COORDINATION SCHEDULE FOR ADDITIONAL SCOPE OF WORK.</p>	<p>1 CONTRACTOR SHALL DEMO/REMOVE AND DISCARD EXHAUST HOOD AND FIRE SUPPRESSION. CONTRACTOR SHALL DEMO/REMOVE AND DISCARD INSULATED EXHAUST DUCT UP TO EXISTING EXHAUST FAN LOCATED ON ROOF. CONTRACTOR SHALL RETAIN REMOTE PULL STATION FOR RELOCATION DURING NEW WORK PHASE.</p> <p>2 CONTRACTOR SHALL DEMO/REMOVE AND DISCARD REFRIGERANT PIPING FROM ALL EXISTING COOLER/FREEZER AND ICE MACHINE EQUIPMENT BACK TO REMOTE CONDENSER LOCATED ON ROOF. REFRIGERANTS THAT ARE RECOVERED FROM REFRIGERANT AND AIR-CONDITIONING SYSTEMS SHALL NOT BE REUSED OTHER THAN IN THE SYSTEM FROM WHICH THEY WERE RECOVERED AND IN OTHER SYSTEMS OF THE SAME OWNER. RECOVERED REFRIGERANTS SHALL BE FILTERED AND DRIED BEFORE REUSE. RECOVERED REFRIGERANTS THAT SHOW CLEAR SIGNS OF CONTAMINATION SHALL NOT BE REUSED UNLESS RECLAIMED IN ACCORDANCE WITH SECTION 1102.2.2 OF THE FBC-M-2020.</p> <p>3 CONTRACTOR SHALL DEMO/REMOVE AND DISCARD EXISTING SUPPLY AIR AND RETURN AIR PLENUM, SUPPLY AIR DIFFUSERS, RETURN AIR DIFFUSERS, SUPPLY AIR DUCT, RETURN AIR DUCT, AND ALL HANGERS, STRAPS, ETC., AND ALL OTHER HVAC APPURTENANCES ASSOCIATED WITH KITCHEN AC#1.</p> <p>4 CONTRACTOR TO REMOVE ALL EXISTING SUPPLY AND RETURN GRILLES IN DINING ROOM, VESTIBULE AND PLAY AREAS AS NOTED. EXISTING SUPPLY AND RETURN DUCTWORK TO REMAIN FOR RECONNECTION TO NEW SUPPLY AND RETURN GRILLES DURING RENOVATION.</p> <p>5 EXISTING SENSORS TO BE REMOVED FOR RENOVATION. REFER TO SHEET M-201 FOR SENSOR RELOCATION OR REPLACEMENT INFORMATION.</p> <p>6 CONTRACTOR TO DEMO/REMOVE EXISTING AIR DROPS, HANGERS, ALL APPURTENANCES AND WIRING BACK TO SOURCE.</p>

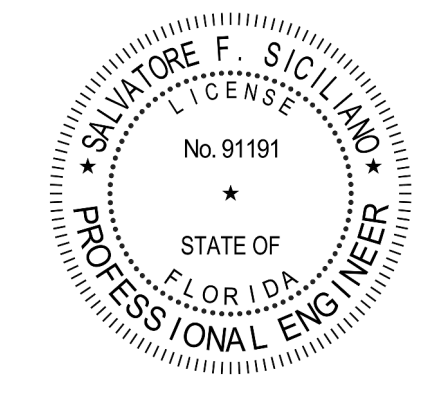
Autodesk Docs://FL_02088_Oakleaf Town Center FSU_2022.11_REI02088_MEC_Oakleaf Town Center (copy of C291118) Remodel.rvt
3/4/2024 4:16:46 PM
30-02088-M-102-MECHANICAL DEMOLITION FLOOR PLAN



Chick-fil-A
5200 Buffington Road
Atlanta, Georgia
30349-2998



www.cphcorp.com
**A Full Service
A & E Firm**
Plans Prepared By:
CPH, LLC.
Licenses:
Eng. C.O.A. No. 3215
Survey L.B. No. 7143
Arch. Lic. No. AA2500926
Landscape Lic. No. LC0000298



CHICK-FIL-A
OAKLEAF TOWN CENTER
9630 APPLECROSS RD
JACKSONVILLE, FL 32222

FSU#02088
BUILDING TYPE / SIZE: 506(C)-R
RELEASE: 22.05

REVISION SCHEDULE		
NO.	DATE	DESCRIPTION
3	03-05-2024	BID ADD 1

CONSULTANT PROJECT #	C291100
PRINTED FOR	PERMIT
DATE	07/21/2023
DRAWN BY	JRH

Information contained on this drawing and in all digital files produced for above named project may not be reproduced in any manner without express written or verbal consent from the project representatives.
SHEET
MECHANICAL
DEMOLITION FLOOR PLAN
SHEET NUMBER

M-102

8

7

6

5

4

3

2

1

CHICK-FIL-A HAS A NATIONAL ACCOUNT WITH TOM BARROW COMPANY FOR THE ROYAL METAL PRODUCTS START COLLARS FOR BOTH WITH AND WITHOUT A MANUAL BALANCING DAMPER. THE MECHANICAL CONTRACTOR IS REQUIRED TO PURCHASE THE ROYAL METAL PRODUCTS START COLLARS DIRECTLY FROM TOM BARROW COMPANY. CONTACT MR. SCOTT GEORGE AT 404-351-1010 FOR PRICING AND AVAILABILITY. ROYAL METAL PRODUCTS START COLLARS NOT PURCHASED THRU TOM BARROW COMPANY WILL NOT BE ACCEPTED.

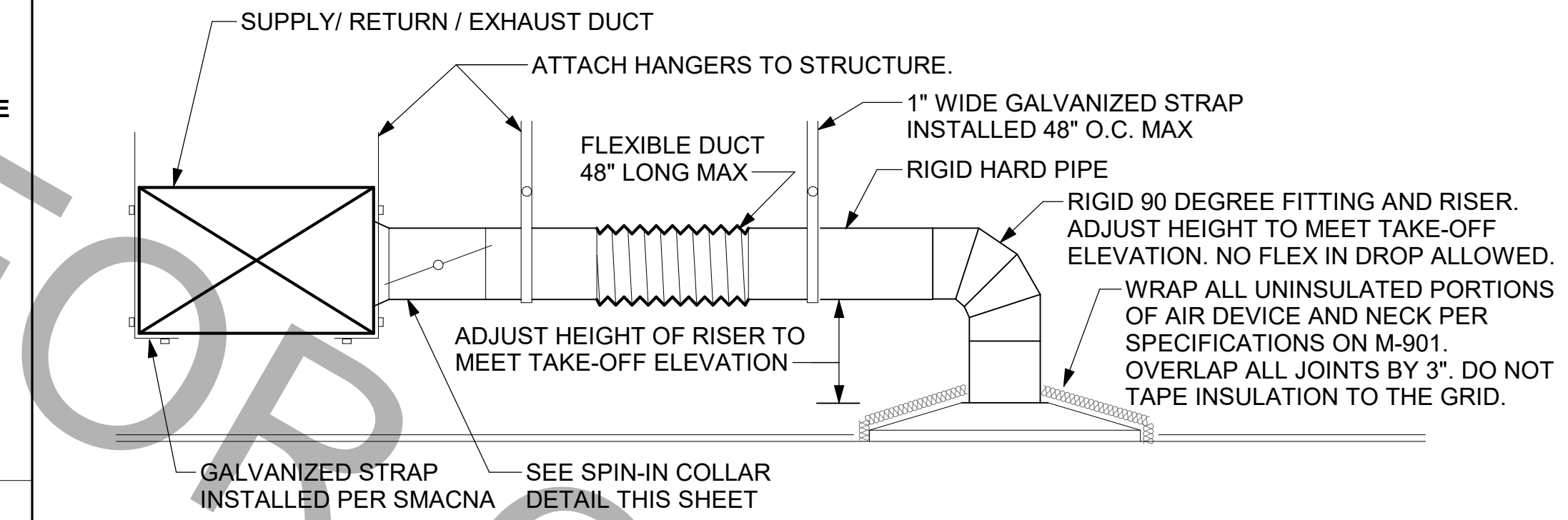
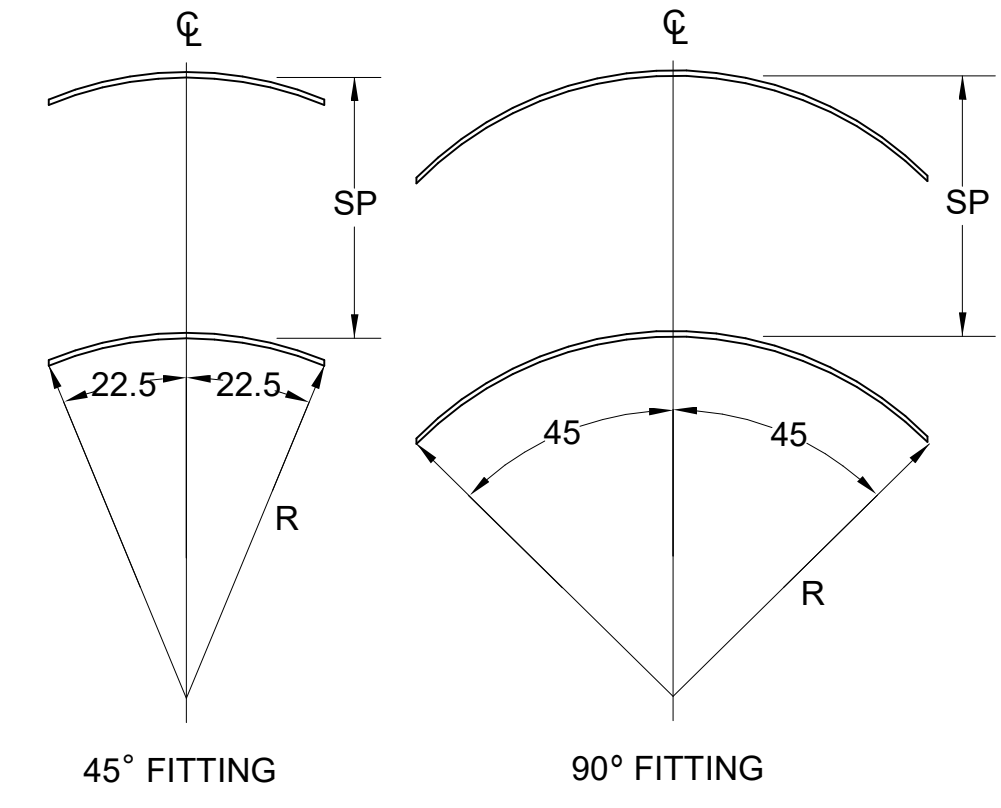
DAMPER CONTROL HANDLE MUST BE EXPOSED, LOCATED ON THE LEFT OR RIGHT (9 OR 3 O'CLOCK) SIDE WHEN INSTALLED ON HORIZONTAL DUCTS, AND LOCATED ON THE LEFT, RIGHT OR BOTTOM (9, 3, OR 6 O'CLOCK) WHEN INSTALLED ON VERTICAL DUCTS. DAMPER CONTROL HANDLES NOT INSTALLED IN THE CORRECT ORIENTATION AS SPECIFIED ABOVE WILL NOT BE ACCEPTED. ATTACH YELLOW FLUORESCENT CONSTRUCTION RIBBON TO THE HANDLE. RIBBON MUST BE 12" LONG AND BE EASILY IDENTIFIABLE FOR TEST AND BALANCE CONTRACTOR.

DO NOT APPLY START COLLAR OVER DUCT WRAP

TURNING VANE SCHEDULE

R	SP	GA
2"	1.5"	24

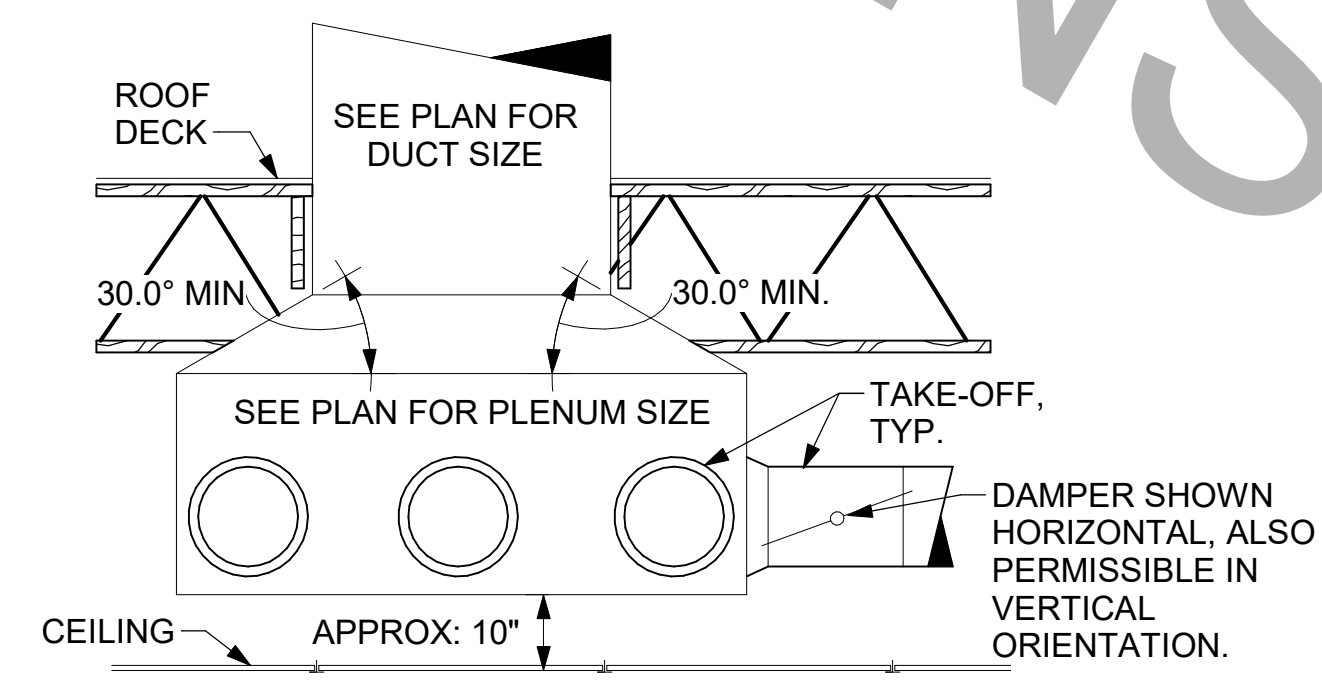
- NO TRAILING EDGE.
- SINGLE THICKNESS CONSTRUCTION.



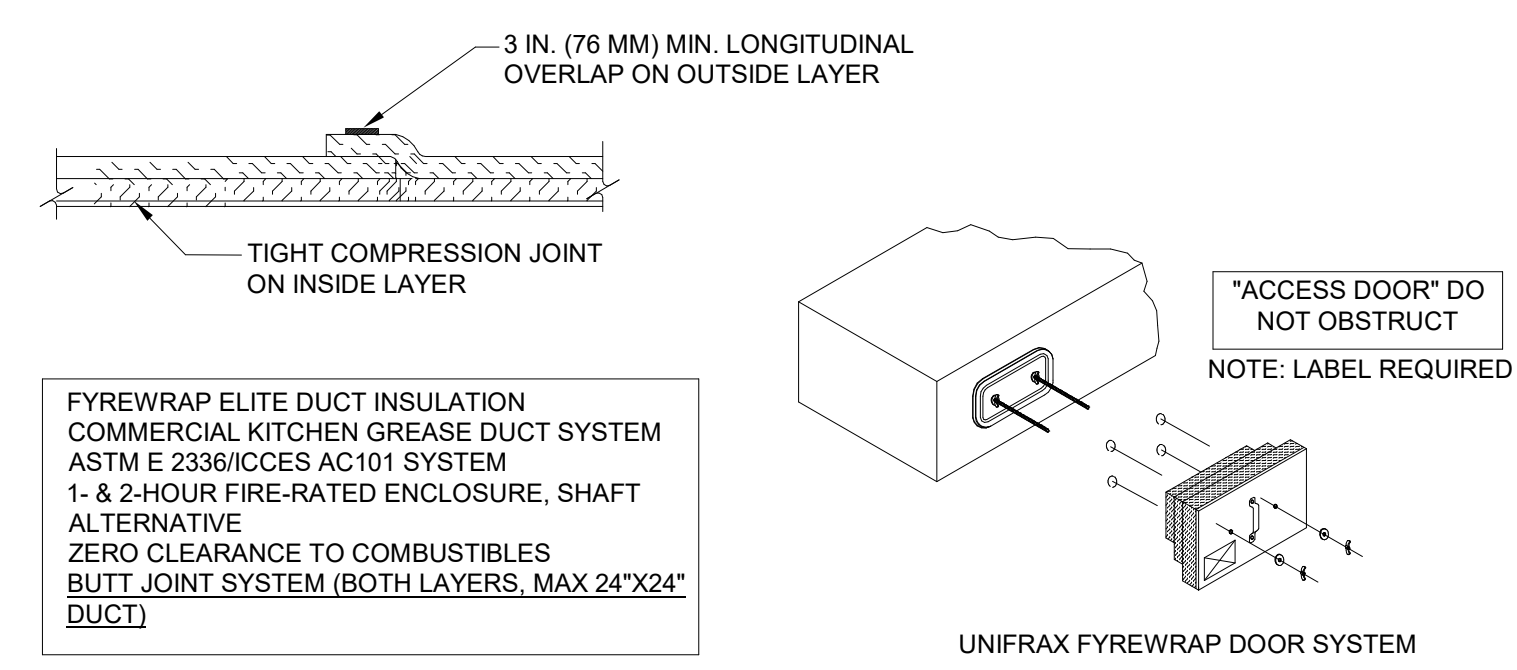
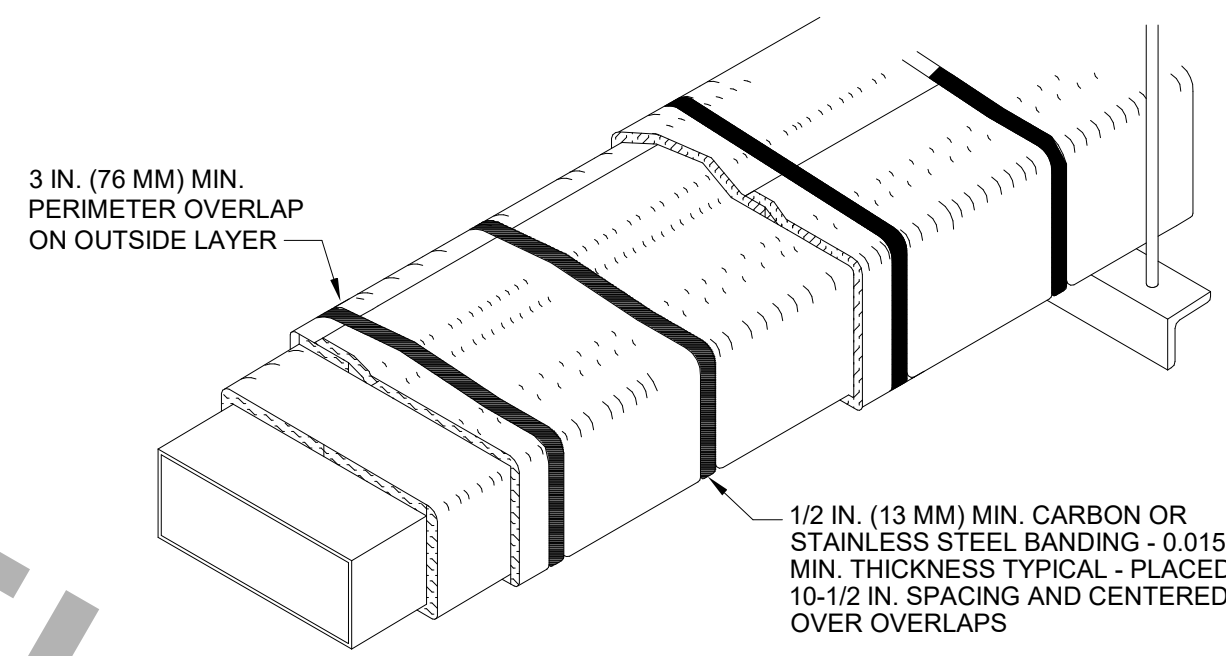
1 SAG/RAG/GRILLE TAKE-OFF - LARGE
NOT TO SCALE

2 START COLLAR - LARGE
NOT TO SCALE

3 TURNING VANES
NOT TO SCALE



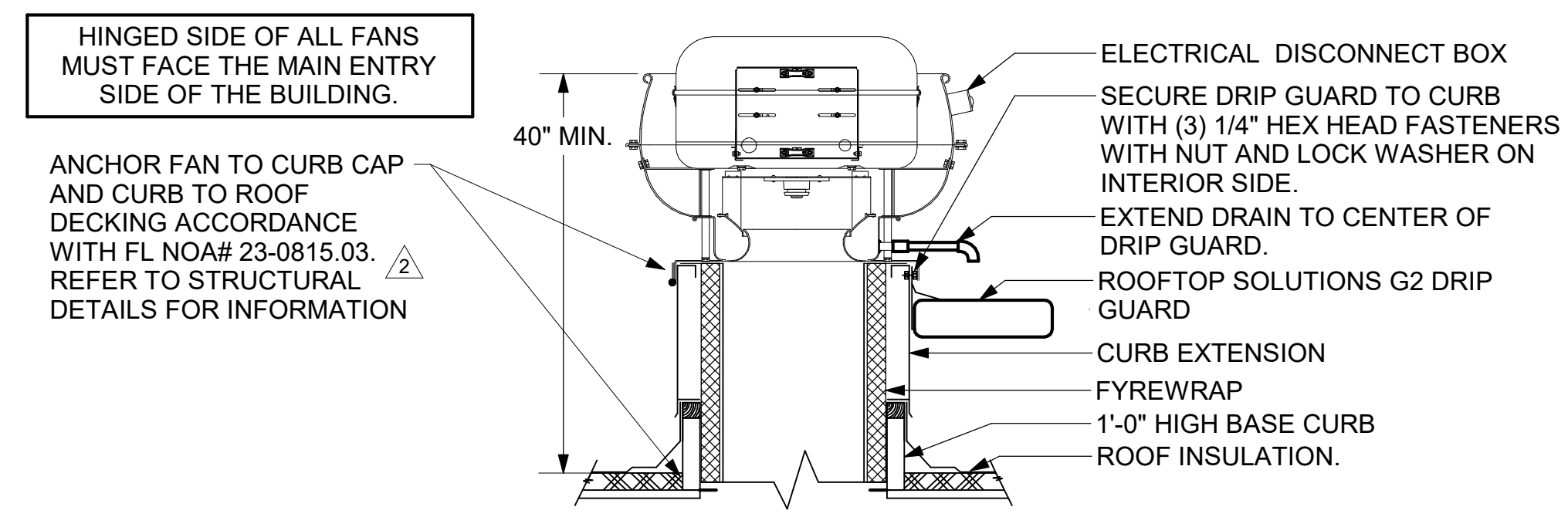
4 RETURN DROP GEOMETRY
NOT TO SCALE



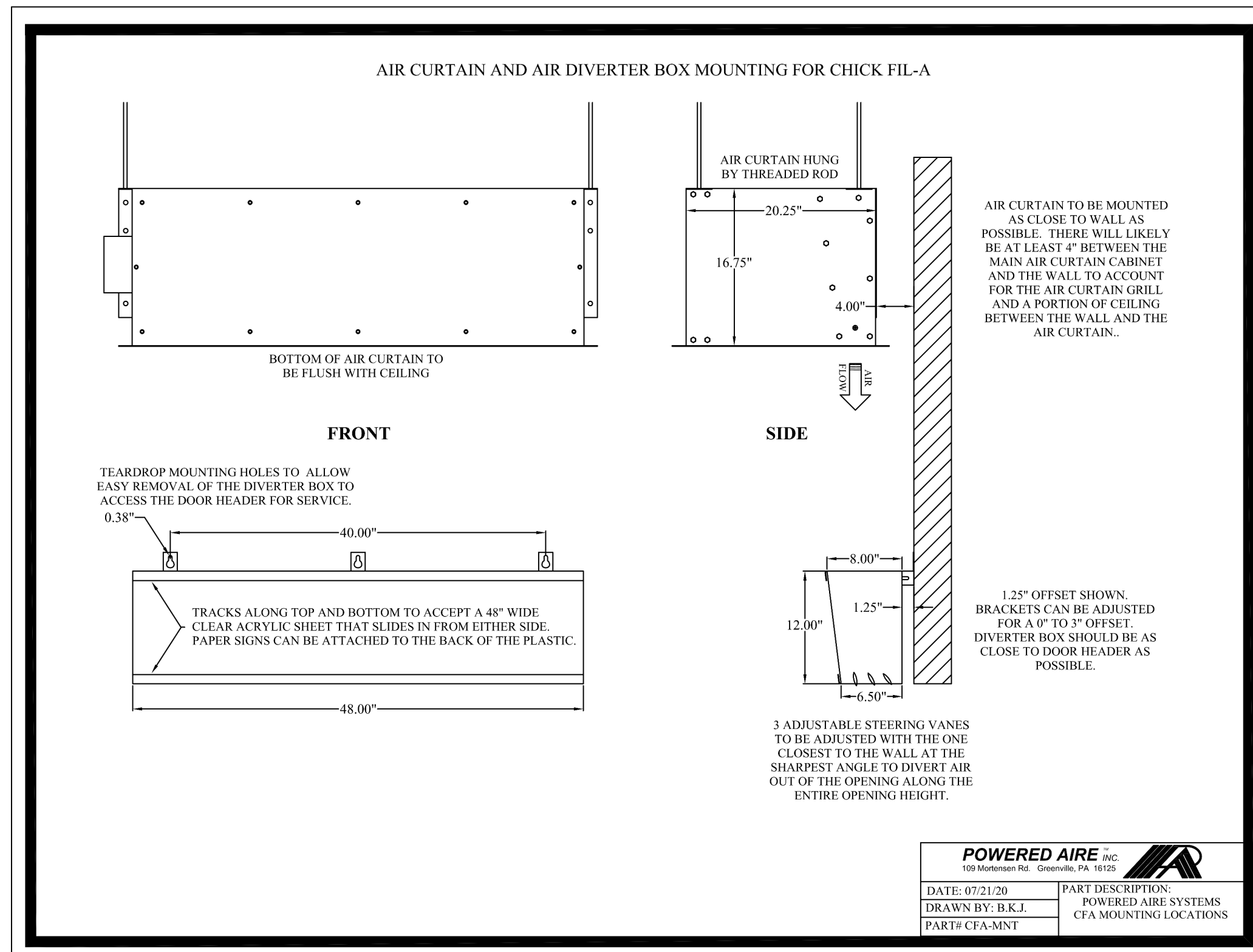
- UNIFRAX Fyrewrap ELITE 1.5 DUCT INSULATION HAS BEEN TESTED IN ACCORDANCE WITH ASTM E 2336 TO PROVIDE ZERO CLEARANCE TO COMBUSTIBLES AND MEETS THE REQUIREMENTS FOR ONE OR TWO HOUR ENCLOSURES. THROUGH PENETRATIONS FIRESTOP SYSTEMS ARE TESTED IN ACCORDANCE WITH EITHER ASTM E 814 OR UL 1479. ICC-ES APPROVAL PER REPORT ESR 2213 OR ESR 2832. UNDERWRITER'S LABORATORIES (UL) LISTINGS SHOW COMPLIANCE TO UL 1479 FOR THROUGH PENETRATION FIRESTOP SYSTEMS.
- COMPLIANT TO THE FOLLOWING CODES:

BUILDING CODE: 2020 FLORIDA BUILDING CODE	MECHANICAL CODE: 2020 FLORIDA MECHANICAL CODE	ELECTRICAL CODE: 2017 NATIONAL ELECTRICAL CODE	FIRE CODE: 2020 FLORIDA FIRE PREVENTION CODE
PLUMBING CODE: 2020 FLORIDA PLUMBING CODE	FUEL GAS CODE: 2020 FLORIDA FUEL GAS CODE	ENERGY CODE: 2020 FLORIDA ENERGY CONSERVATION CODE	
- INSULATION APPLIED IN TWO LAYERS WITH TIGHT COMPRESSION JOINT ON INSIDE LAYER AND 3 INCH MINIMUM OVERLAPS ON BOTH PERIMETER AND LONGITUDINAL OVERLAPS ON OUTSIDE LAYER.
- GREASE EXHAUST DUCT RUNS FROM THE HOOD EXHAUST CONNECTION UP TO THE EXHAUST FAN ON THE ROOF WITH MINIMAL TURNS OR BENDS AND MAINTAINING MINIMUM 1/4 UNIT VERTICAL RISE PER 12 UNITS HORIZONTAL RUN. NFPA 96 COMPLIANT ACCESS DOORS LOCATED AS REQUIRED BY CODE.
- UNIFRAX Fyrewrap ELITE 1.5 ACCESS DOORS AS SPECIFIED IN ICC-ES BUILDING CODE REPORTS ESR 2213 OR ESR 2832.
- ROOF MOUNTED EXHAUST FAN IS MOUNTED ON A HINGED BASE WHICH ALLOWS ACCESS TO THE DUCT FROM THE ROOF.
- SUPPORT HANGER SYSTEMS DO NOT NEED TO BE WRAPPED PROVIDED THE HANGER RODS ARE AT LEAST A MINIMUM OF 3/8 IN. DIAMETER. USE MINIMUM 2 X 2 X 1/8 IN. STEEL ANGLE OR SMACNA EQUIVALENT SUPPORT SYSTEM.
- UNIFRAX Fyrewrap ELITE 1.5 DUCT ENCLOSURE SYSTEM SHALL BE INSTALLED IN ACCORDANCE WITH MANUFACTURERS INSTRUCTIONS.
- UNIFRAX Fyrewrap ELITE 1.5 DUCT WRAP SHALL BE INSTALLED ON THE DUCT FROM THE HOOD CONNECTION TO THE CONNECTION TO THE FAN.

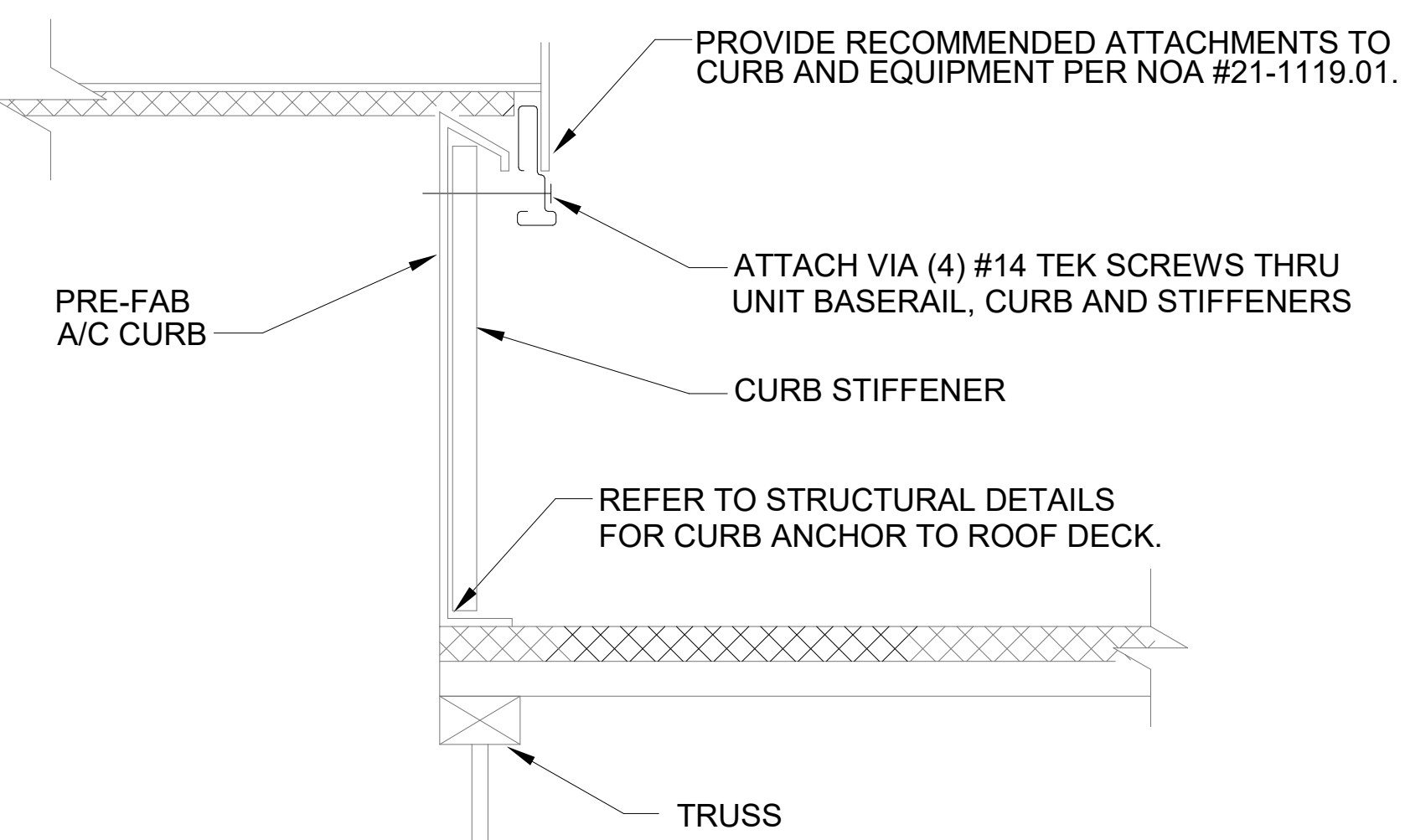
5 GREASE EXHAUST DUCT PROTECTION TO COMBUSTIBLES DETAIL
1/4" = 1'-0"



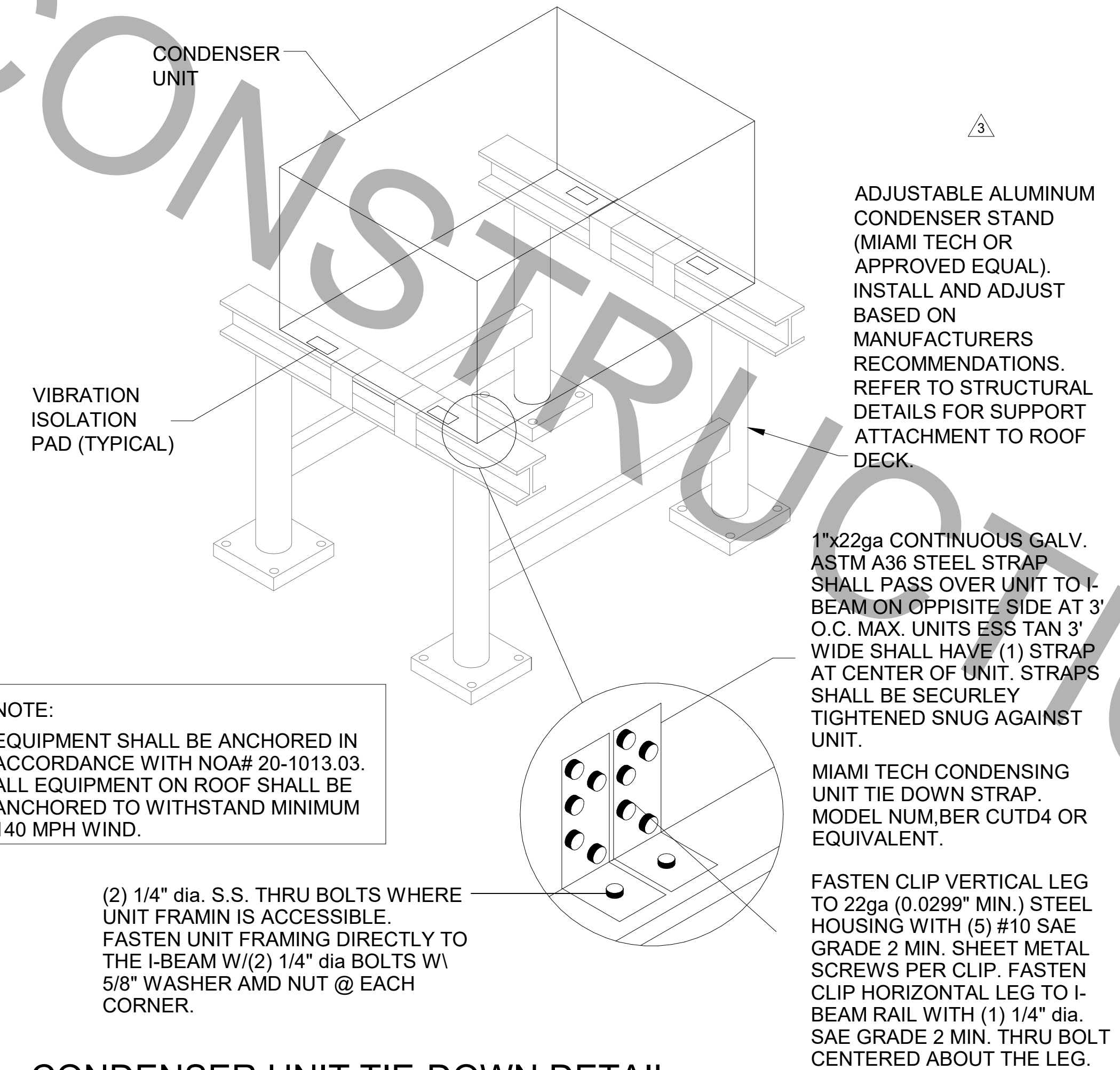
6 KITCHEN HOOD EXHAUST FAN
1/4" = 1'-0"



7 AIR DIVERTER DETAIL
SCALE: N.T.S.



8 RTU TIE-DOWN DETAIL-NOA #21-1119.01
1/4" = 1'-0"



9 CONDENSER UNIT TIE-DOWN DETAIL
NOT TO SCALE



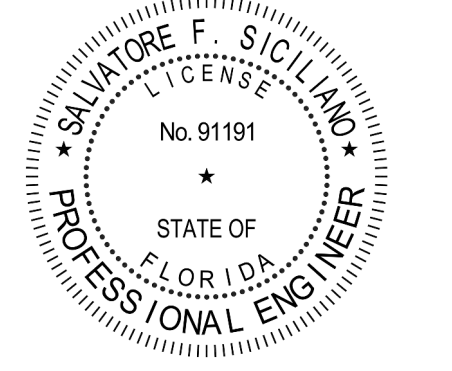
Chick-fil-A

Chick-fil-A
5200 Buffington Road
Atlanta, Georgia
30349-2998



www.cphcorp.com
A Full Service
A & E Firm

Plans Prepared By:
CPH, LLC.
Licenses:
Eng. C.O.A. No. 3215
Survey L.B. No. 7143
Arch. Lic. No. A2300926
Landscape Lic. No. LC0000298



CHICK-FIL-A
OAKLEAF TOWN CENTER
9630 APPLECROSS RD
JACKSONVILLE, FL 32222

FSU#02088

BUILDING TYPE / SIZE: 506(C)-R
RELEASE: 22.05

REVISION SCHEDULE

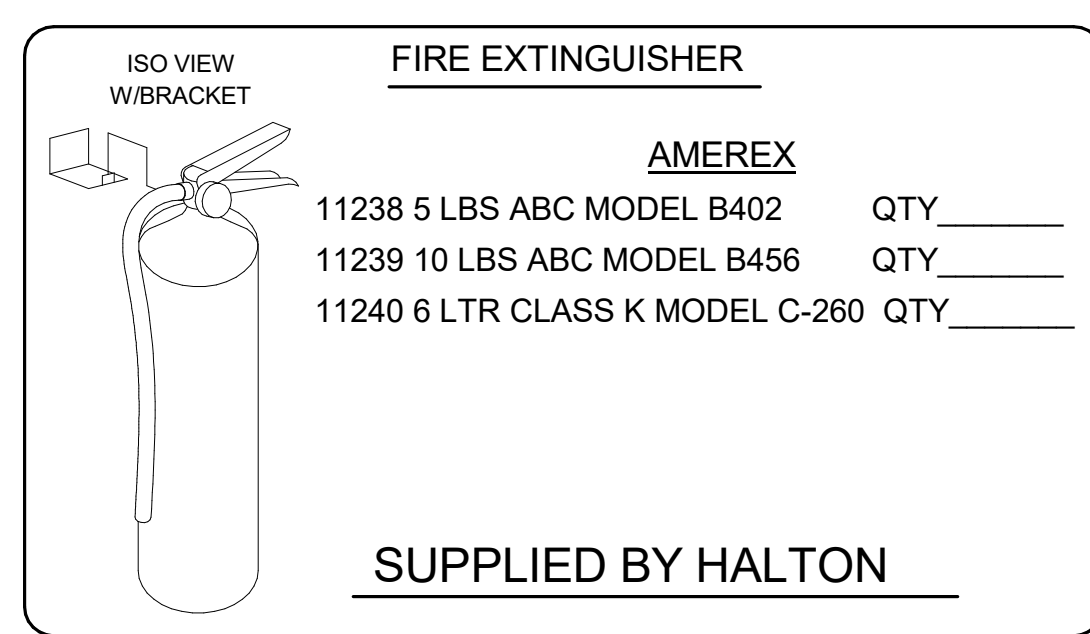
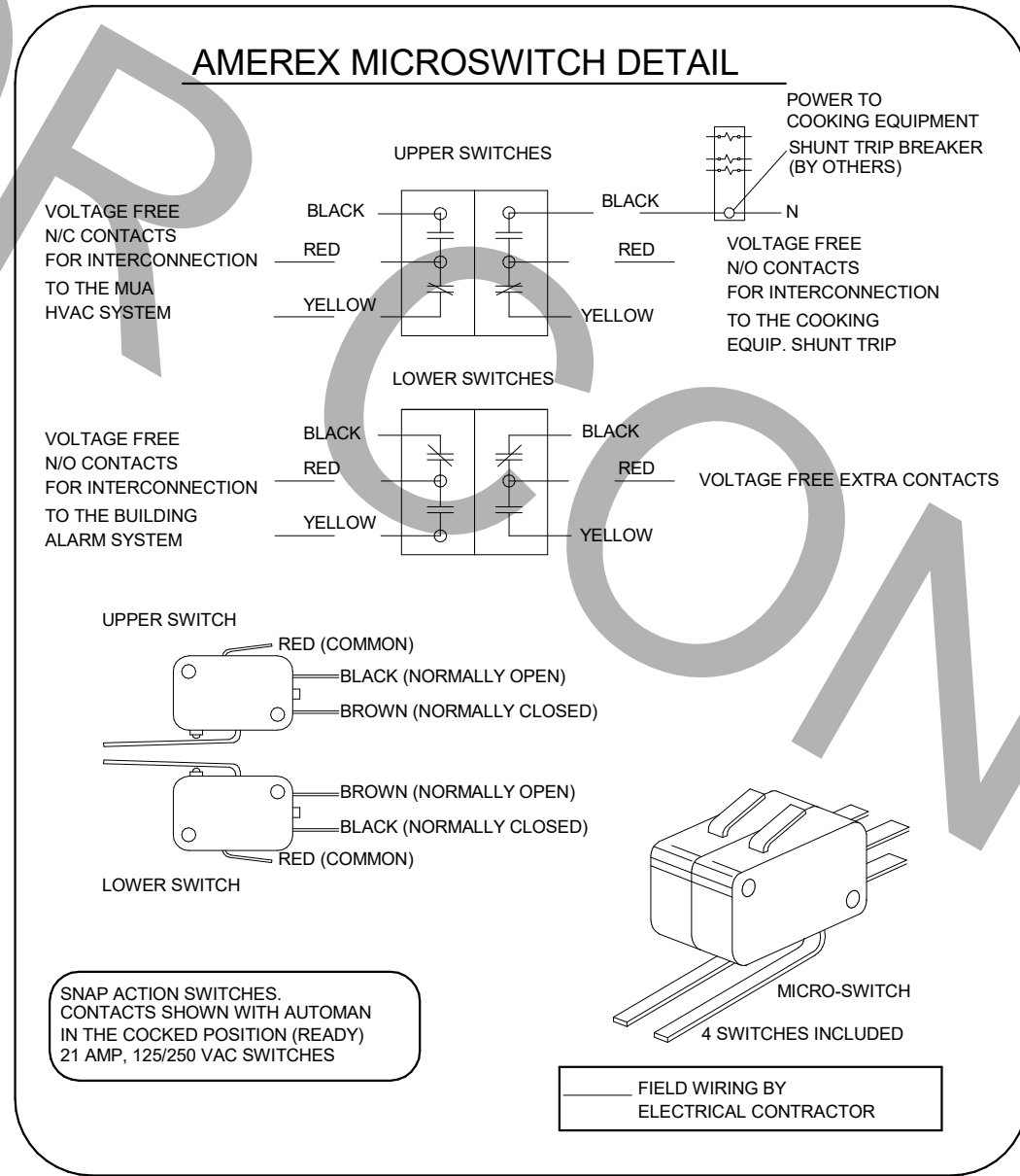
NO.	DATE	DESCRIPTION
2	12-15-2023	Permit Rev 2
3	03-05-2024	BID ADD 1

CONSULTANT PROJECT #	C291100
PRINTED FOR	PERMIT
DATE	07/21/2023
DRAWN BY	JRH
SHEET	HVAC DETAILS

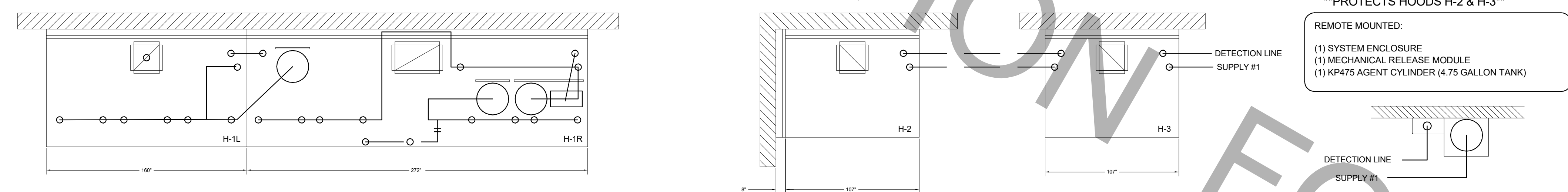
SHEET NUMBER
M-401

Autodesk Docs://FL_02088_Oakleaf Town Center 2022.11_REI02088_MEC_Oakleaf Town Center (copy of C291118) Remodel.rvt
3/4/2024 4:16:58 PM
30-02088-M-401-HVAC DETAILS

E
D
C
B
A



1/2" BLACK IRON SUPPLY LINE REQ'D FROM TANK TO FIRST BRANCH LINE FOR 475 TANKS ONLY!



FUSIBLE LINK RATINGS
ITEM TEMP
OPEN FRYERS 450°
2 BURNER / FLAT TOP 450°
PRESSURE FRYERS 450°
GRILL 450°
EXHAUST COLLARS 450°

AMEREX FIRE SYSTEM NOTES
(1) KP375 & (2) KP475 TANK SYSTEM MOUNTED ON TOP OF (H-1R)
MAXIMUM FLOW POINTS = 39
AMEREX FIRE SYSTEM NOTES
KP475 TANK SYSTEM REMOTE MOUNTED
(1) TANK
MAXIMUM FLOW POINTS = 14

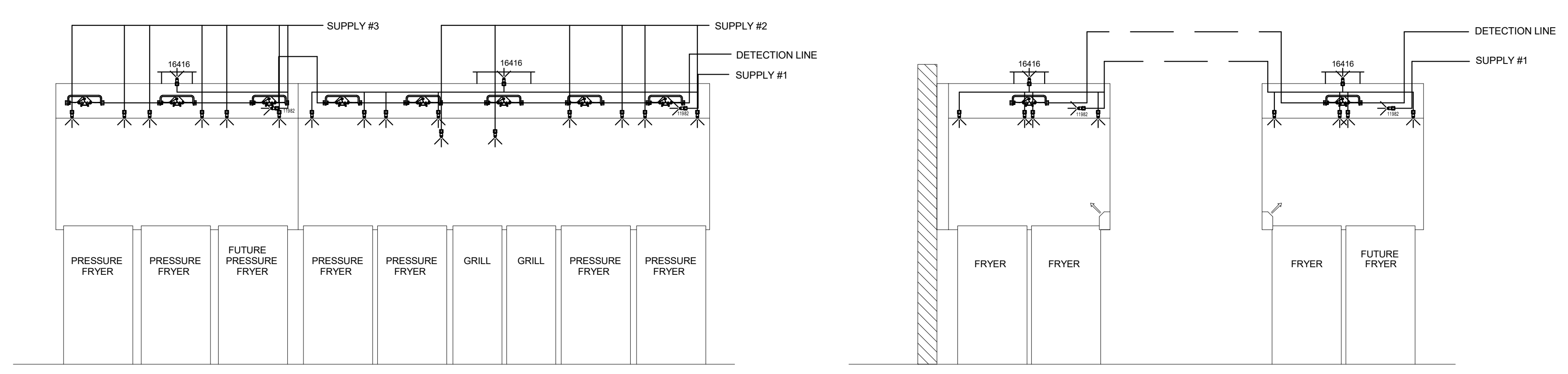
AMEREX FIRE SYSTEM
A) (1) KP375 TANK - 11 FLOW POINTS
(2) KP475 TANKS - 14 FLOW POINTS (MOUNTED ON HOOD H-1R)
FOR HOODS H-1L & H-1R
B) 1/2" & 3/8" BLACK IRON PIPING W/ 3/8" S.S. APPLIANCE DROPS
(1) MECHANICAL RELEASE MODULE
(2) EXTRA MICRO SWITCH ASSEMBLIES (MOUNTED IN MECHANICAL REL. MODULE)
(3) 1.75 GALLON TANK
(4) 4.75 GALLON TANK

NOZZLE	QTY	DESCRIPTION
16416	1 EA.	DUCT NOZZLES
11982	1 PER 10'	PLENUM NOZZLES
11982	2 PER FRYER	ALL OPEN FRYERS
13729	2 PER FRYER	ALL PRESSURE FRYERS
14178	1 PER GRILL	ALL GRILLS
ALL APPLIANCE NOZZLES WITH SWIVELS		

AMEREX FIRE SYSTEM
A) (1) KP475 TANKS - 14 FLOW POINTS (REMOTE MOUNTED) (FOR HOOD H-2 & H-3)
B) 3/8" BLACK IRON PIPING W/ 3/8" S.S. APPLIANCE DROPS
(1) SYSTEM ENCLOSURE
(2) EXTRA MICRO SWITCH ASSEMBLIES (MOUNTED IN MECHANICAL REL. MODULE)
(3) 1.75 GALLON TANK
(4) 4.75 GALLON TANK

ITEM	QTY	DESCRIPTION	FLOW PTS (TOTAL)
16416	4	DUCT NOZZLES	4
11982	4	PLENUM NOZZLES	4
11982	8	APPLIANCE NOZZLES	8
14178	2	APPLIANCE NOZZLES	4
13729	14	APPLIANCE NOZZLES	28
TOTAL FLOW POINTS			48
ITEM	QTY	DESCRIPTION	
12508-P001	10	DETECTORS BRACKET ASSEMBLY	
13334	1	KP375 AGENT CYLINDER	
17379	3	KP475 AGENT CYLINDER	
18001	1	MECHANICAL RELEASE MODULE W/ DOUBLE POLE MICRO SWITCH	
25851	1	SYSTEM ENCLOSURE W/ DOUBLE POLE MICRO SWITCH	
21481	2	REMOTE MANUAL PULL STATION	

AMEREX FIRE SYSTEM
UL LISTED PER STD LATEST STD 300
1. FINAL INSTALLATION IS TO BE MADE IN ACCORDANCE WITH ALL APPLICABLE CODES
2. ALL ELECTRICAL COMPONENTS FOR EQUIPMENT SHUT DOWN TO BE PROVIDED BY THE ELECTRICIAN. MICRO-SWITCH INSTALLED IN REGULATED RELEASE BY AMEREX INSTALLER
3. REMOTE PULL STATION LOCATED PER MECHANICAL DRAWINGS



AMEREX FIRE SYSTEM LAYOUT

THIS DRAWING MUST BE CHECKED, SIGNED AND RETURNED TO THE APPROPRIATE FACTORY. PLEASE VERIFY THE FOLLOWING:
1. ALL DIMENSIONAL INFORMATION, MOUNTING POSITIONS
2. THE LOCATION AND TYPE OF COOKING EQUIPMENT.
NOTE TO APPROVER: ANY CHANGES IN COOKING EQUIPMENT SUCH AS INCREASED ENERGY INPUTS OR EQUIPMENT CHANGES OCCURRING AT RECALCULATION MUST BE NOTED AND APPROVED BY THE APPROVER.
 REVISE AND RESUBMIT
 APPROVED FOR FABRICATION
 WITH NO CHANGES
 WITH CHANGES AS NOTED



WEBSITE: www.halton.com
HALTON CO. (USA)
101 INDUSTRIAL DRIVE
SCC
1-270-237-5500

REV	DATE	DESCRIPTION
1	06/13/23	NOT TO SCALE

PROJECT: CHICK-FIL-A #2088 OAKLEAF TOWN CENTER
LOCATION: JACKSONVILLE, FL
DRAWN BY: SKK
DATE: 06/13/23
SCALE: NOT TO SCALE
DRAWING NO.: U23-551-02
SHEET NO.: H-1.2



Chick-fil-A
5200 Buffington Road
Atlanta, Georgia
30349-2998



A Full Service
A & E Firm
Plans Prepared By:
CPH, LLC.
Licenses:
Eng. C.O.A. No. 3215
Survey L.B. No. 7142
Arch. Lic. No. AZ2500925
Landscape Lic. No. LC0000298

THE EQUIPMENT SHOWN ON THIS SHEET IS DESIGNED BY OTHERS NOT UNDER THE RESPONSIBLE CHARGE OF THE ENGINEER OF RECORD (EOR). THIS SHEET IS ISSUED FOR INFORMATION AND CLARIFICATION ONLY. EOR ACCEPTS NO RESPONSIBILITY FOR ANY OF THIS EQUIPMENT.

CHICK-FIL-A
OAKLEAF TOWN CENTER
9630 APPLECROSS RD
JACKSONVILLE, FL 32222

FSU#02088
BUILDING TYPE / SIZE: S06(C)-R
RELEASE: 22.05

NO.	DATE	DESCRIPTION
1	07/21/2023	PERMIT

CONSULTANT PROJECT # C291100
DATE 07/21/2023
DRAWN BY JRH
SHEET HALTON HOOD SHOP DRAWING
SHEET NUMBER MH-102

PERMIT

1. SECTION C15000 - MECHANICAL SPECIFICATIONS

PART I - GENERAL

1.01 SCOPE

- A. IT IS THE RESPONSIBILITY OF CONTRACTOR TO READ ALL SPECIFICATIONS AND CONSULT ALL DRAWINGS WHICH MAY AFFECT THE INSTALLATION AND COORDINATION OF HIS WORK WITH OTHER TRADES. CONTRACTOR SHALL COORDINATE AND MAKE MINOR ADJUSTMENTS IN LOCATION OF EQUIPMENT AND MATERIALS AS NECESSARY TO SECURE COORDINATION.
 - B. COMPLETED INSTALLATION SHALL CONFORM TO ALL APPLICABLE FEDERAL, STATE AND LOCAL CODES AND ORDINANCES, INCLUDING BUT NOT LIMITED TO THE LATEST APPROVED EDITIONS OF NFPA-96, NFPA-90A, NFPA-54, SMACNA, ASHRAE 90.1 AND ASHRAE 62.
 - C. SYSTEM LAYOUT IS SCHEMATIC AND EXACT LOCATIONS SHALL BE DETERMINED BY STRUCTURAL CONDITIONS, COORDINATION WITH OTHER TRADES, COORDINATION WITH FINISHES AND OTHER CONDITIONS. STRUCTURAL SUPPORTS SHALL NOT BE CUT OR ALTERED TO ASSURE FIT OF HVAC SYSTEM. TEN FOOT CLEARANCE SHALL BE MAINTAINED BETWEEN OUTSIDE AIR INTAKES AND EXHAUST FANS AND PLUMBING VENT TERMINALS.
 - D. CONTRACTOR SHALL BE RESPONSIBLE FOR ALL DEFECTS, REPAIRS AND REPLACEMENTS IN MATERIALS AND WORKMANSHIP FOR A PERIOD OF ONE (1) YEAR AFTER FINAL PAYMENT IS APPROVED. CONTRACTOR SHALL HONOR FACTORY WARRANTIES ON ALL EQUIPMENT PROVIDED AS PART OF THIS SYSTEM.
 - E. UPON COMPLETION OF PROJECT, ALL SYSTEM EQUIPMENT AND MATERIALS SHALL BE IN NEW, CLEAN CONDITION WITH ALL DAMAGE RESTORED TO CONDITION ACCEPTABLE TO THE OWNERS REPRESENTATIVE. ALL EQUIPMENT, COMPONENTS, DUCTWORK AND AIR DEVICES SHALL BE INSPECTED THOROUGHLY, CLEANED, CLEARED OF DEBRIS, AND READY FOR USE. AT COMPLETION OF JOB, ALL MISCELLANEOUS TOOLS, SCAFFOLDING, SURPLUS MATERIALS, RUBBISH AND DEBRIS SHALL BE REMOVED BY CONTRACTOR.
 - F. CONTRACTOR SHALL PROVIDE TWO SETS OF 2" MERV 8 OR HIGHER THROW AWAY TYPE FILTERS. A CLEAN SET SHALL BE PROVIDED PRIOR TO TEST AND BALANCE AND AGAIN PRIOR TO OPENING.
- PART II - PRODUCTS
- 2.01 HEATING AND COOLING EQUIPMENT (C15730)
- A. FURNISH AND INSTALL R-410A ROOFTOP SINGLE PACKAGE COMBINATION ELECTRIC COOLING AND ELECTRIC HEATING UNITS BY LENNOX AS SHOWN ON DRAWINGS. EQUIPMENT SHALL BE ARI CERTIFIED AND U.L. LISTED.
 - B. ACCESSORIES SHALL INCLUDE LOW AND HIGH PRESSURE SAFETIES, CRANK CASE HEATER, OVERCURRENT AND OVERTEMPERATURE SAFETY, COMPRESSOR VIBRATION ISOLATORS, FILTER DRIERS, REFRIGERANT SERVICE VALVES, COIL HAIL GUARDS WHERE SCHEDULED, CONVENIENCE OUTLETS FACTORY INSTALLED ON SCHEDULED UNITS, UNIT MOUNTED NON-FUSED DISCONNECTS, LOW AMBIENT OPERATION DOWN TO 30 DEGREES F AND EVAPORATOR FREEZE STAT.
 - C. COMPRESSORS SHALL BE FULLY HERMETIC SCROLL TYPE WITH INTERNAL VIBRATION ISOLATORS. COMPRESSORS SHALL BE PROVIDED WITH A MINIMUM FIVE (5) YEAR FULL WARRANTY.
 - D. ELECTRIC HEATER ELEMENTS SHALL BE CONSTRUCTED OF HEAVY-DUTY NICKEL CHROMIUM WIRE ELEMENTS. STAGING SHALL BE ACHIEVED THROUGH SYSTEM CONTROLS. EACH HEATER PACKAGE SHALL HAVE MULTIPLE AUTOMATIC RESET AND SINGLE OPERATION HIGH TEMPERATURE LIMIT CONTROLS OPERATING TO BREAK LINE POWER TO THE HEATER ELEMENT. ALL HEATERS SHALL BE INDIVIDUALLY FUSED FROM THE FACTORY, AND SHALL MEET ALL NEC AND CEC REQUIREMENTS. POWER ASSEMBLIES SHALL PROVIDE SINGLE-POINT CONNECTION. ELECTRIC HEAT MODULES SHALL BE UL LISTED OR CSA CERTIFIED. SLIDE OUT SERVICE CASING
 - E. CHICK-FIL-A MAINTAINS A NATIONAL ACCOUNT FOR EQUIPMENT WITH LENNOX CORPORATION. PRICING FOR THE EQUIPMENT HAS BEEN ESTABLISHED IN ADVANCE. CONTACT LENNOX NATIONAL ACCOUNTS AT 972-497-6260 (OR BY FAX AT 972-497-5112) FOR PRICING, ORDERING AND AVAILABILITY.

2.02 DUCTWORK (C15735) (SEE DWG M-301 FOR ADDITIONAL GREASE DUCT SYSTEM REQ.)

- A. ACCEPTABLE MANUFACTURERS OF INSULATION ARE MANVILLE, OWENS CORNING OR KNAUF.
- B. ALL DUCTWORK SHALL BE SHEET METAL, UNLESS NOTED OTHERWISE (U.N.O.).
- C. DUCT DIMENSIONS SHOWN ARE INSIDE CLEAR DIMENSIONS, U.N.O.
- D. CONSTRUCTION OF DUCTWORK SHALL MEET SMACNA 1" W.C. PRESSURE CLASS STANDARD AND RECOMMENDATIONS. SMACNA SHALL BE FOLLOWED WITH RESPECT TO GAGE THICKNESS, JOINTS, REINFORCING, CONSTRUCTION, INSTALLATION AND SUPPORT FOR PRESSURE CLASS STATED. ALL TRANSVERSE JOINTS IN RECTANGULAR AND ROUND DUCT INCLUDING DUCT CONNECTION TO AIR DEVICE COLLAR SHALL BE SEALED PER SMACNA SEAL CLASS C WITH U.L. DUCT MASTIC SEALANT APPROVED FOR INTENDED USE. DUCT TAPE IS NOT AN ACCEPTABLE SUBSTITUTE FOR MASTIC UNLESS EQUAL TO HARDCAST FOIL-GRIP 1402 BUTYL RUBBER ADHESIVE TAPE.
- E. DUCT SHALL BE SUPPORTED AT BASE OF DUCT DROPS. CURB DUCT RAILS ARE NOT INTENDED TO AND SHALL NOT SUPPORT THE WEIGHT OF THE DUCT.
- F. ALL DUCT INSULATION SHALL MEET MINIMUM R-VALUE REQUIRED BY ASHRAE 90.1 LATEST EDITION. ALL DUCT WRAP SHALL BE MINIMUM 2" THICK, 3/4 PCF AND 6 R VALUE INSTALLED WITH EITHER A VAPOR BARRIER WITH MAXIMUM PERMEANCE 0.05 OR A MINIMUM 2 MIL ALUMINUM REINFORCED FOIL/KRAFT FACING.
- G. ALL DUCT DROPS FROM THE ROOFTOP UNITS SHALL BE EXTERNALLY INSULATED.
- H. SUPPLY AND RETURN AIR DUCTWORK SERVING ALL AREAS SHALL BE EXTERNALLY INSULATED.
- I. ALL AIR CONVEYANCE COMPONENTS SUCH AS, BUT NOT LIMITED TO DUCT, DUCT PLENUMS, GRILLES/DIFFUSERS, BACK PANS, AND BOOTS SHALL BE INSULATED. INSULATION TYPE IS COVERED ELSEWHERE IN THIS SPECIFICATION.
- J. RESTROOM RECTANGULAR EXHAUST AIR DUCTWORK SHALL BE LINED WITH 1" THICK, 1-1/2 PCF INSULATION. RESTROOM ROUND EXHAUST DUCT SHALL BE EXTERNALLY INSULATED PER SECTION 2.02F.
- K. TRUNK DUCTS SHALL BE ISOLATED FROM UNIT VIBRATION WITH THE USE OF NFPA AND U.L. APPROVED FLEXIBLE CONNECTORS INSTALLED AT THE TOP OF BOTH SUPPLY AND RETURN DROPS.
- L. INSULATED FLEXIBLE DUCT MAY BE UTILIZED FOR RUNOUTS TO GRILLES AND DIFFUSERS ONLY IN THE HORIZONTAL POSITION AND IN MAXIMUM LENGTHS OF 4'-0", NO EXCEPTIONS. SEE TAKE-OFF DETAIL ON DRAWING M-401.
- M. CONSTRUCTION OF FLEXIBLE DUCTWORK SHALL INCLUDE SPIRAL METAL HELIX BONDED TO A POLYESTER CORE, FIBERGLASS INSULATION WITH POLYETHYLENE OR MYLAR VAPOR BARRIER. ALL COMPONENTS SHALL HAVE APPROPRIATE U.L. APPROVAL AND SHALL BE EQUIVALENT TO THERMAFLEX MKE.
- N. FLEXIBLE DUCT SHALL BE INSTALLED PER THE "ADC FLEXIBLE DUCT PERFORMANCE AND INSTALLATION STANDARDS, 4TH ED" USING FOIL TAPE AND DRAWBAND ON THE INNER CORE AND TAPE OR DRAWBAND ON THE OUTER JACKET.
- O. DUCT TAPE SHALL BE EQUAL TO FASSON 181-B FX, 2-1/2" WIDE.
- P. SINGLE THICKNESS TURNING VANES SHALL BE INSTALLED AT 90 DEGREE TURNS IN SUPPLY DUCTWORK WHERE ANY ONE DIMENSION IS GREATER THAN 12".
- Q. RADIUS ELBOWS MAY BE SUBSTITUTED FOR 90 DEGREE ELBOWS AT THE DISCRETION OF THE CONTRACTOR. CENTERLINE RADIUS EQUAL TO: R=W PER FIGURE NO. 4-2 IN SMACNA HVAC DUCT CONSTRUCTION STANDARDS.
- R. EXTERNAL INSULATION ON BOTTOM OF DUCTS 24" OR WIDER SHALL BE SUPPORTED WITH STICK PINS ON 18" CENTERS. STICK PIN WASHERS SHALL BE COVERED WITH DUCT TAPE OR MASTIC.

2.03 CONTROLS (C15735)

- A. SYSTEMS SHALL BE COMPLETE WITH CONNECTIONS TO CFA-500 TEMPERATURE CONTROL PANEL AS MANUFACTURED BY SUNCOAST ENVIRONMENTAL CONTROLS (S.E.C.) (PH: 877-544-6679). THE PANEL IS PROVIDED AND MOUNTED BY THE ELECTRICAL CONTRACTOR. CONTROL WIRING TERMINATIONS ARE BY THE MECHANICAL CONTRACTOR.
- B. THE SMOKE DETECTORS SHALL BE FACTORY INSTALLED AND WIRED BY THE ROOFTOP UNIT MANUFACTURER.
- C. A FACTORY INSTALLED SMOKE DETECTOR IN THE RETURN AIR AND SUPPLY AIR SECTION OF EACH AIR CONDITIONING UNIT SHALL STOP THE INDOOR FAN AND CLOSE THE OUTSIDE AIR DAMPER IN THE EVENT OF EXCESSIVE TEMPERATURE OR SMOKE. SMOKE DETECTOR SHALL BE LOCATED PRIOR TO ANY EXHAUST FROM THE BUILDING OR MIXING WITH FRESH AIR MAKE-UP. UPON DETECTION, THE SYSTEM SHALL NOT RESTART UNTIL THE DEVICE IS MANUALLY RESET. DEVICES SHALL BE LOCATED WHERE THEY CAN BE EASILY ACCESSED AND WHERE CLEAR OF FILTERS.
- D. CHICK-FIL-A HAS A NATIONAL ACCOUNT WITH SUNCOAST ENVIRONMENTAL CONTROLS FOR THE SMOKE DETECTOR TEST/RESET ANNUNCIATOR STATIONS. THE TEST/RESET STATIONS WILL BE PURCHASED BY THE ELECTRICAL CONTRACTOR AS A PART OF A NATIONAL ACCOUNT PACKAGE AND TURNED OVER TO THE MECHANICAL CONTRACTOR FOR INSTALLATION.
- E. THE REMOTE TEST/RESET ANNUNCIATORS SHALL BE PROVIDED BY THE ELECTRICAL CONTRACTOR AND INSTALLED BY THE MECHANICAL CONTRACTOR. INSTALLATION BY MECHANICAL SHALL INCLUDE MOUNTING OF THE ANNUNCIATORS AND ALL WIRING FROM EACH DEVICE TO THE RTU. ELECTRICAL WILL PROVIDE A JUNCTION BOX IN THE WALL WITH 1/2" CONDUIT STUBBED UP ABOVE THE CEILING FOR EACH REMOTE TEST STATION AS SHOWN ON THE ELECTRICAL PLANS. ANNUNCIATOR SHALL BE SUNCOAST CONTROLS REMOTE TEST/RESET STATION WITH POWER LED, TROUBLE LED, ALARM LED, 90DB HORN AND TEST/RESET BUTTON.
- F. THE RESTROOM FAN SHALL BE INTERLOCKED TO THE LIGHTS SERVING THE MEN AND WOMEN'S RESTROOMS. THE HOOD FANS SHALL BE CONTROLLED VIA THE SUNCOAST CFA-500 CONTROL PANEL. WIRING, RELAYS AND SWITCHES FOR CONTROL OF ALL FANS ARE BY ELECTRICAL CONTRACTOR.
- G. LENNOX UNITS - THERMOSTATS ARE PROVIDED AND INTEGRATED INTO THE TEMPERATURE CONTROL PANEL BY SUNCOAST ENVIRONMENTAL CONTROLS. SUNCOAST WILL PROVIDE A NETWORK THERMOSTAT US32-CFA THERMOSTAT PREWIRED IN THE TEMPERATURE CONTROL PANEL. A REMOTE TEMPERATURE SENSOR FOR EACH THERMOSTAT IS ALSO PROVIDED. MECHANICAL CONTRACTOR SHALL INSTALL ALL WIRING BETWEEN THE THERMOSTAT, THE REMOTE SENSOR AND THE ROOFTOP UNIT.
- H. MECHANICAL CONTRACTOR SHALL INSTALL CONTROL WIRING IN 1/2" CONDUIT WHERE REQUIRED BY CODE. WHERE NOT REQUIRED TO BE IN CONDUIT, ALL WIRING SHALL BE RUN PARALLEL TO STRUCTURAL MEMBERS OR PERPENDICULAR WITH NO DIAGONAL ROUTING. ALL WIRING SHALL BE SECURED TO THE FRAMING TO PREVENT SAGGING IN RUNS. WIRING TO ROOFTOP UNITS SHALL BE ROUTED THROUGH THE FACTORY THRU-BASE FITTING IN THE UNIT BASE. NO SPLICING OF WIRING WILL BE ACCEPTED. ALL WIRING ABOVE THE ROOF SHALL BE INSTALLED IN EXTERIOR GRADE FLEXIBLE CONDUIT. ALL CONTROL WIRING AND CONTROL WIRING CONDUIT SHALL BE FURNISHED AND INSTALLED BY THE MECHANICAL CONTRACTOR. WIRING SHALL BE INSTALLED IN ACCORDANCE WITH LATEST EDITION OF NEC. ALL LOW VOLTAGE CONTROL WIRING SHALL BE NO LESS THAN 18 AWG MIN. CONTROL WIRING CONDUCTORS SHALL BE SIZED TO ACCOUNT FOR LOAD AND LENGTH OF RUN TO ALLOW SUFFICIENT VOLTAGE AVAILABLE AT CONTROLLED DEVICE TO OPERATE THE SYSTEM RELIABLY.

PART III - EXECUTION

3.01 SCOPE

- A. FURNISH AND INSTALL SYSTEM IN ACCORDANCE WITH REFERENCED STANDARDS, APPLICABLE CODES, MANUFACTURER'S RECOMMENDATIONS AND AS INDICATED ON DRAWINGS.
 - B. CONTRACTOR SHALL INSTRUCT THE OWNER'S REPRESENTATIVE IN ALL MATTERS PERTAINING TO THE PROPER MAINTENANCE OF EQUIPMENT FURNISHED UNDER THIS CONTRACT THROUGH DEMONSTRATION AND EXPLANATION OF OPERATING & MAINTENANCE MANUALS.
 - C. CONTRACTOR SHALL PROVIDE A "SAMPLE MAINTENANCE PROPOSAL" TO THE OWNER'S REPRESENTATIVE IN ALL MATTERS PERTAINING TO THE PROPER MAINTENANCE OF EQUIPMENT FURNISHED UNDER THIS CONTRACT.
 - D. CONTRACTOR SHALL COMPLETE A/C EQUIPMENT STARTUP DOCUMENTATION PROVIDED BY OWNER AND/OR MANUFACTURER. THIS SHALL INCLUDE RETORQUE OF ALL FIELD AND FACTORY HIGH VOLTAGE CONNECTIONS.
- 3.02 TEST & BALANCE
- A. OWNER SHALL TEST AND BALANCE MECHANICAL SYSTEM IN ACCORDANCE WITH NEBB, NBC OR AABC STANDARDS TO ASSURE CONFORMANCE WITH DESIGN. G.C. WILL MAKE MECHANICAL CONTRACTOR AVAILABLE DURING TEST AND BALANCE TO ASSIST TESTING AGENCY AND TO MAKE CORRECTIONS IMMEDIATELY NECESSARY. CONTRACTOR SHALL CORRECT ITEMS ON WRITTEN TEST AND BALANCE REPORT.
 - B. ALL EQUIPMENT TO BE BALANCED MUST HAVE GONE THRU SUCCESSFUL START-UP PROCEDURE BY THE MECHANICAL CONTRACTOR (MC) PRIOR TO TAB VISIT.
 - C. THE FLOOR OF THE RESTAURANT SHALL BE CLEARED OF DEBRIS, STAGED CONSTRUCTION MATERIALS, EQUIPMENT, ETC. WHICH MAY, IN THE OPINION OF THE TAB TECHNICIAN, OBSTRUCT ACCESS TO AIR DISTRIBUTION COMPONENTS IN AND ABOVE THE CEILING.
 - D. EQUIPMENT ACCESS PANELS, DUCT AIR DEVICES SUCH AS BALANCING DAMPERS AND ACTUATORS SHALL BE ACCESSIBLE AND CLEAR OF PIPING, CONDUIT, FRAMING, SUPPORTS ETC...
 - E. PROVIDE AN 8 FT PORTABLE A-FRAME STYLE LADDER DEDICATED FOR THE TAB TECHNICIAN'S USE DURING THE ENTIRE TAB EFFORT DURATION.
 - F. THE MC SHALL BE AVAILABLE DURING THE ENTIRE DURATION OF THE TAB EFFORT AND HAVE ON-SITE THE RESOURCES AND TOOLS TO MAKE CORRECTIONS AS NEEDED UNDER THE DIRECTION OF THE TAB TECHNICIAN.

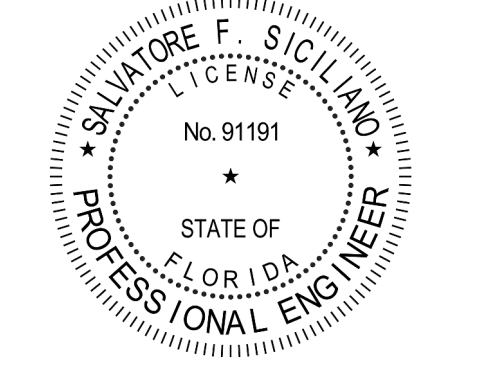
NATIONAL ACCOUNTS	
1.	LENNOX EQUIPMENT - CONTACT LENNOX NATIONAL ACCOUNTS AT 972-497-6260 (OR BY FAX AT 972-497-5112) FOR PRICING, ORDERING AND AVAILABILITY. LENNOX EQUIPMENT NOT PURCHASED THRU LENNOX NATIONAL ACCOUNTS WILL NOT BE ACCEPTED.
2.	LOREN COOK FAN AND CURB PACKAGE - THE MECHANICAL CONTRACTOR IS REQUIRED TO PURCHASE THE FAN/CURB PACKAGE DIRECTLY FROM TOM BARROW COMPANY. CONTACT MR. SCOTT GEORGE AT 404-351-1010 FOR PRICING AND AVAILABILITY. FANS AND CURBS NOT PURCHASED THRU TOM BARROW COMPANY WILL NOT BE ACCEPTED.
3.	PRICE AIR DEVICES - THE MECHANICAL CONTRACTOR IS REQUIRED TO PURCHASE THE AIR DEVICES DIRECTLY FROM TOM BARROW COMPANY. CONTACT MR. SCOTT GEORGE AT 404-351-1010 FOR PRICING AND AVAILABILITY. AIR DEVICES NOT PURCHASED THRU TOM BARROW COMPANY WILL NOT BE ACCEPTED.
4.	AIR DOORS - THE MECHANICAL CONTRACTOR IS REQUIRED TO PURCHASE THE AIR DOORS DIRECTLY FROM TOM BARROW COMPANY. CONTACT MR. SCOTT GEORGE AT 404-351-1010 FOR PRICING AND AVAILABILITY. AIR DOORS NOT PURCHASED THRU TOM BARROW COMPANY WILL NOT BE ACCEPTED.
5.	SUNCOAST ENVIRONMENTAL CONTROLS - THE CFA 500 PANEL AND THE TEST/RESET STATIONS WILL BE PURCHASED AND PROVIDED BY THE electrical CONTRACTOR AS A PART OF A NATIONAL ACCOUNT PACKAGE. SEE PART II PARAGRAPH 2.03 OF THE MECHANICAL SPECIFICATIONS FOR MORE INFORMATION.
6.	HALTON HOODS - CHICK-FIL-A WILL PURCHASE AND PROVIDE THE HOODS FOR INSTALLATION BY THE MECHANICAL CONTRACTOR. THE MECHANICAL CONTRACTOR SHALL BE RESPONSIBLE FOR RECEIVING THE HOODS. CONTACT HALTON CO. AT 270-237-5600 FOR MORE INFO.
7.	ROYAL METAL PRODUCTS START COLLARS - THE MECHANICAL CONTRACTOR IS REQUIRED TO PURCHASE THE START COLLARS DIRECTLY FROM TOM BARROW COMPANY. CONTACT MR. SCOTT GEORGE AT 404-351-1010 FOR PRICING AND AVAILABILITY. START COLLARS NOT PURCHASED THRU TOM BARROW COMPANY WILL NOT BE ACCEPTED.
8.	TPI FAN PACKAGE - THE MECHANICAL CONTRACTOR IS REQUIRED TO PURCHASE THE FAN PACKAGE DIRECTLY FROM TOM BARROW COMPANY. CONTACT MR. SCOTT GEORGE AT 404-351-1010 FOR PRICING AND AVAILABILITY. FANS NOT PURCHASED THRU TOM BARROW COMPANY WILL NOT BE ACCEPTED.
9.	MITSUBISHI SPLIT SYSTEM UNIT PACKAGE - THE MECHANICAL CONTRACTOR IS REQUIRED TO PURCHASE THE SPLIT SYSTEM PACKAGE DIRECTLY FROM TRANE/MITSUBISHI COMPANY. CONTACT CFA@TRANE.COM OR CALL 866-9864822. SCOTT ROWLEY/TRANE CAN ALSO BE REACHED DIRECTLY AT 630-200-7155. ONLY WHEN INVENTORY ISSUES PREVENT TIMELY PROCUREMENT OF PRIMARY MITSUBISHI OPTION, SAMSUNG ALTERNATE (AC036BNTDCH/AA / ACO36BXADCH/AA) IS INTENDED FOR USE. FOR SAMSUNG, PLEASE CONTACT CHAD FISHER AT 479-621-3020. DUE TO PROCUREMENT SUPPLY ISSUES IN ASHRAE CLIMATE ZONES 0-3, MITSUBISHI (NTXWST36B112AA / NTXST36B112AA) MAY BE USED AS A SECOND ALTERNATIVE @ TRANE CONTACT INFO ABOVE. MINI SPLIT SYSTEMS NOT PURCHASED THRU TRANE/MITSUBISHI COMPANY OR ALTERNATES WILL NOT BE ACCEPTED.



Chick-fil-A
5200 Buffington Road
Atlanta, Georgia
30349-2998



www.cphcorp.com
**A Full Service
A & E Firm**
Plans Prepared By:
CPH, LLC.
Licenses:
Eng. C.O.A. No. 3215
Survey L.B. No. 7143
Arch. Lic. No. A2500926
Lndscp. Lic. No. LC0000298



CHICK-FIL-A
OAKLEAF TOWN CENTER
9630 APPLECROSS RD
JACKSONVILLE, FL 32222

FSU#02088

BUILDING TYPE / SIZE: 506(C)-R
RELEASE: 22/05

REVISION SCHEDULE

NO.	DATE	DESCRIPTION

CONSULTANT PROJECT # C291100
PRINTED FOR PERMIT
DATE 07/21/2023
DRAWN BY JRH

Information contained on this drawing and in all digital files produced for above named project may not be reproduced in any manner without express written or verbal consent from the project representative.
SHEET
HVAC SPECIFICATIONS

SHEET NUMBER
M-901

Autodesk Docs://FL_02088_Oakleaf_Town_Center_FSU_2022.11_REI02088_MEC_Oakleaf_Town_Center (copy of C291118) Remodel.rvt
3/4/2024 4:17:03 PM
30-02088-M-901-HVAC SPECIFICATIONS

LEGEND

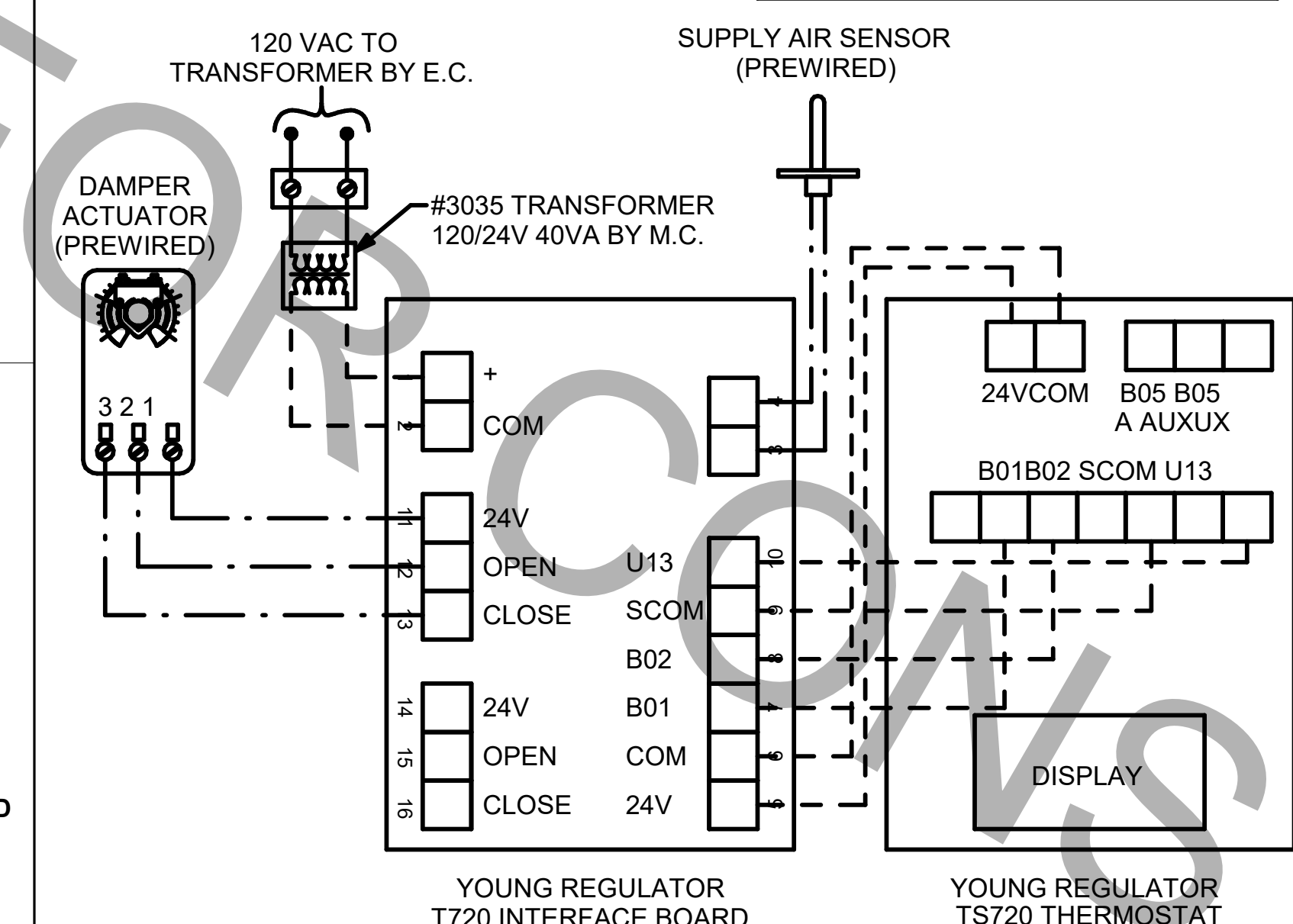
M.C.	MECHANICAL CONTRACTOR
E.C.	ELECTRICAL CONTRACTOR
---	18 AWG MIN WIRING BY M.C.
---	HIGH VOLTAGE BY E.C.
---	FACTORY WIRING

NOTES

- SEE DWG M201 FOR COMPONENT MODEL NUMBERS AND ORDERING INFORMATION.
- 120V POWER FOR TRANSFORMER TO BE NON-SWITCHED AND LIVE 24 HOURS EACH DAY.
- PROVIDE ALL NECESSARY WIRING AND COMPONENTS TO MAKE CONTROL AND POWER CONNECTIONS TO TRANSFORMER, ZONE DAMPER, AND THERMOSTAT PER MANUFACTURER'S IOM.
- PROVIDE MYLAR LABEL AT ALL NEW THERMOSTATS WITH 1/4" HIGH WHITE LETTERING ON BLACK BACKGROUND, I.E. "OFFICE THERMOSTAT". PLACE LABELS ON WALL ADJACENT TO DEVICE. DO NOT APPLY DIRECTLY ON DEVICE.

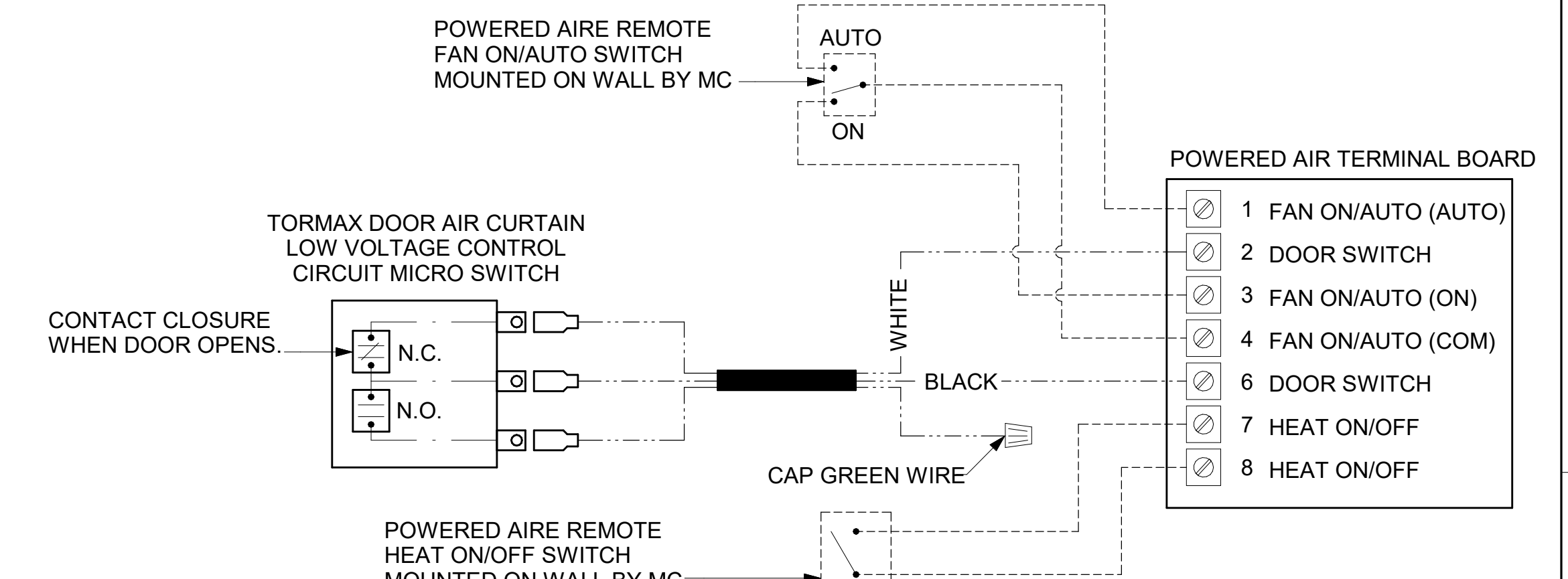
SEQUENCE OF OPERATION

- WHEN THE SUPPLY AIR TEMPERATURE IS LESS THAN 72F THE DAMPER WILL MODULATE ON A RISE IN SPACE TEMPERATURE ABOVE THE SETPOINT.
- WHEN THE SUPPLY AIR TEMPERATURE IS GREATER THAN 71F THE DAMPER WILL MODULATE ON A FALL IN SPACE TEMPERATURE BELOW THE SETPOINT.
- WHEN SPACE TEMPERATURE FALLS BELOW 68F (ADJ), THE THERMOSTAT SHALL SEND AN ENABLE SIGNAL TO THE EDH. THE EDH SHALL THEN MODULATE CAPACITY TO MAINTAIN AN 80F (ADJ) DISCHARGE AIR SETPOINT.



LEGEND

---	18 AWG MIN LOW VOLTAGE WIRING BY MC, U.N.O.
---	22 AWG LOW VOLTAGE WIRING PROVIDED BY TORMAX. WIRING INSTALLED BY MC.

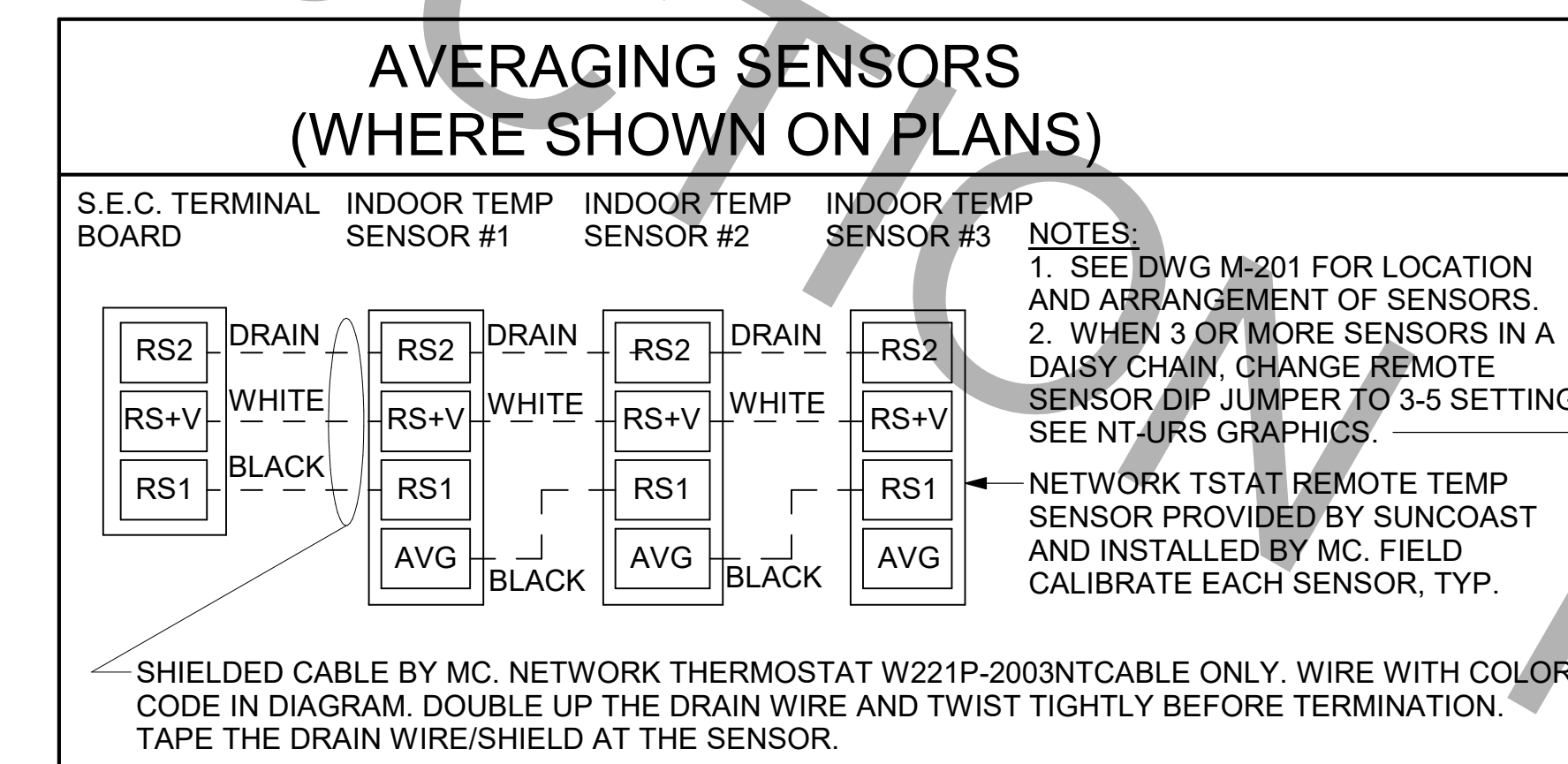
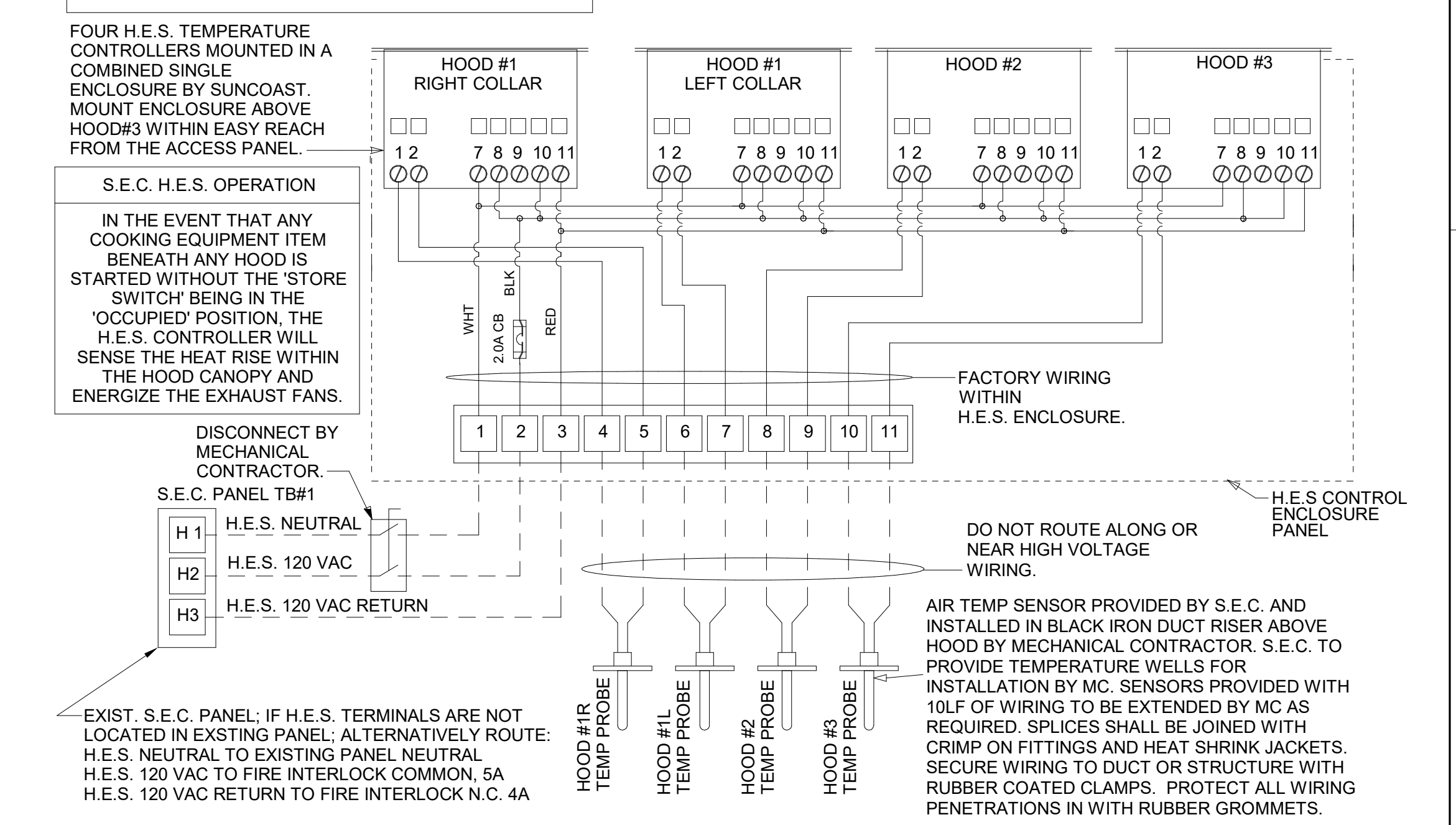


LEGEND

S.E.C.	SUNCOAST ENVIRONMENTAL CONTROLS CFA-500 ENERGY MGT PANEL
H.E.S.	SUNCOAST ENVIRONMENTAL CONTROLS HOOD EXHAUST SAFETY CONTROLLER
M.C.	MECHANICAL CONTRACTOR
---	18 AWG MIN UNSHIELDED LOW VOLTAGE WIRING BY MC, U.N.O.
---	120 VAC WIRING BY MECHANICAL CONTRACTOR

GENERAL NOTES

- MECHANICAL CONTRACTOR TO PURCHASE THE H.E.S. CONTROL PANEL AND COMPONENTS FROM SUNCOAST ENVIRONMENTAL CONTROLS. TELEPHONE 877-544-6679.
- CONTROLS COMPONENTS TO BE FACTORY MOUNTED IN LABELED NEMA-1 ENCLOSURES.
- MECHANICAL CONTRACTOR TO PROVIDE A PROFESSIONALLY LAMINATED COPY OF THIS DETAIL ATTACHED TO THE ENCLOSURE CONTACT ENGINEER OF RECORD FOR A REPRODUCIBLE COPY OF THE DETAIL.



NOTES:

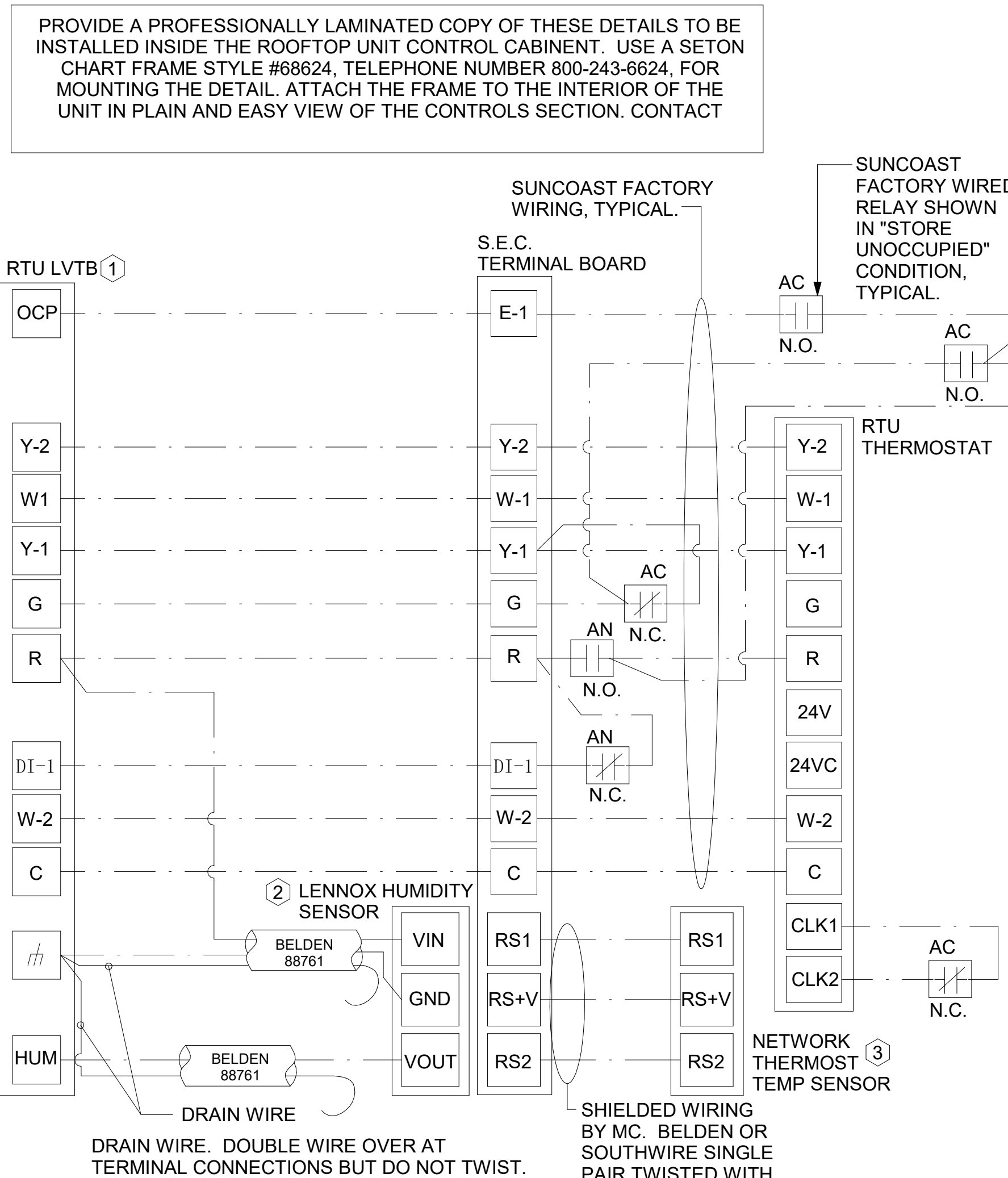
- MECHANICAL CONTRACTOR SHALL MAKE PLASTIC LAMINATE OF THIS DETAIL AND INSTALL PERMANENTLY ON INSIDE DOOR OF ROOFTOP UNIT CONTROL COMPARTMENT.
- SEE DETAILS THIS SHEET FOR SMOKE DETECTOR AND ANNUNCIATOR WIRING.
- SET ALL THERMOSTATS FOR AUTO CHANGEOVER.
- PROVIDE PLASTIC ENGRAVED LABEL AT ALL NEW SENSORS WITH 1/4" HIGH WHITE LETTERING ON BLACK BACKGROUND, I.E. "AC-1 HUMIDITY SENSOR" OR "AC-1 TEMP SENSOR". PLACE LABELS ON WALL ADJACENT TO DEVICE. DO NOT APPLY DIRECTLY TO DEVICE.

KEYED NOTES:

- LOW VOLTAGE WIRING TO RTU TO BE ROUTED TO UNIT THRU FACTORY WIREWAY.
- HUMIDITROL UNITS ONLY: WIRING TO HUMIDITY SENSOR TO BE MADE WITH TWO SEPARATE RUNS OF SHIELDED TWISTED PAIR. TERMINATE SHIELD WIRES AT TB-1, LEAVE OPEN AT SENSOR.
- NETWORK TSTAT REMOTE TEMP SENSOR PROVIDED BY SUNCOAST AND INSTALLED BY MC. FIELD CALIBRATE EACH SENSOR.

LEGEND

S.E.C.	SUNCOAST ENVIRONMENTAL CONTROLS (SUPPLIER OF TEMP/FAN CONTROL PANEL) LOCATED IN KITCHEN
1	KEY NOTE REFERENCE
MC	MECHANICAL CONTRACTOR
AC	SUNCOAST RELAY FACTORY INSTALLED AND WIRED IN CFA-500 PANEL. ENERGIZED BY PUTTING STORE SWITCH IN "STORE OCCUPIED" POSITION.
AN	SUNCOAST RELAY FACTORY INSTALLED AND WIRED IN CFA-500 PANEL. DENERGIZED WHEN FIRE SUPPRESSION SYSTEM IS ACTIVATED, AS NOTED.
---	18 AWG MIN LOW VOLTAGE WIRING BY MC, U.N.O. USE BELDEN OR SOUTHWIRE SINGLE PAIR TWISTED WITH FOIL SHIELD AND DRAIN WIRE FOR TEMPERATURE SENSORS (NOT HUMIDITY SENSORS).
---	LOW VOLTAGE WIRING BY S.E.C.
---	LINE VOLTAGE BY ELECTRICIAN OR S.E.C.

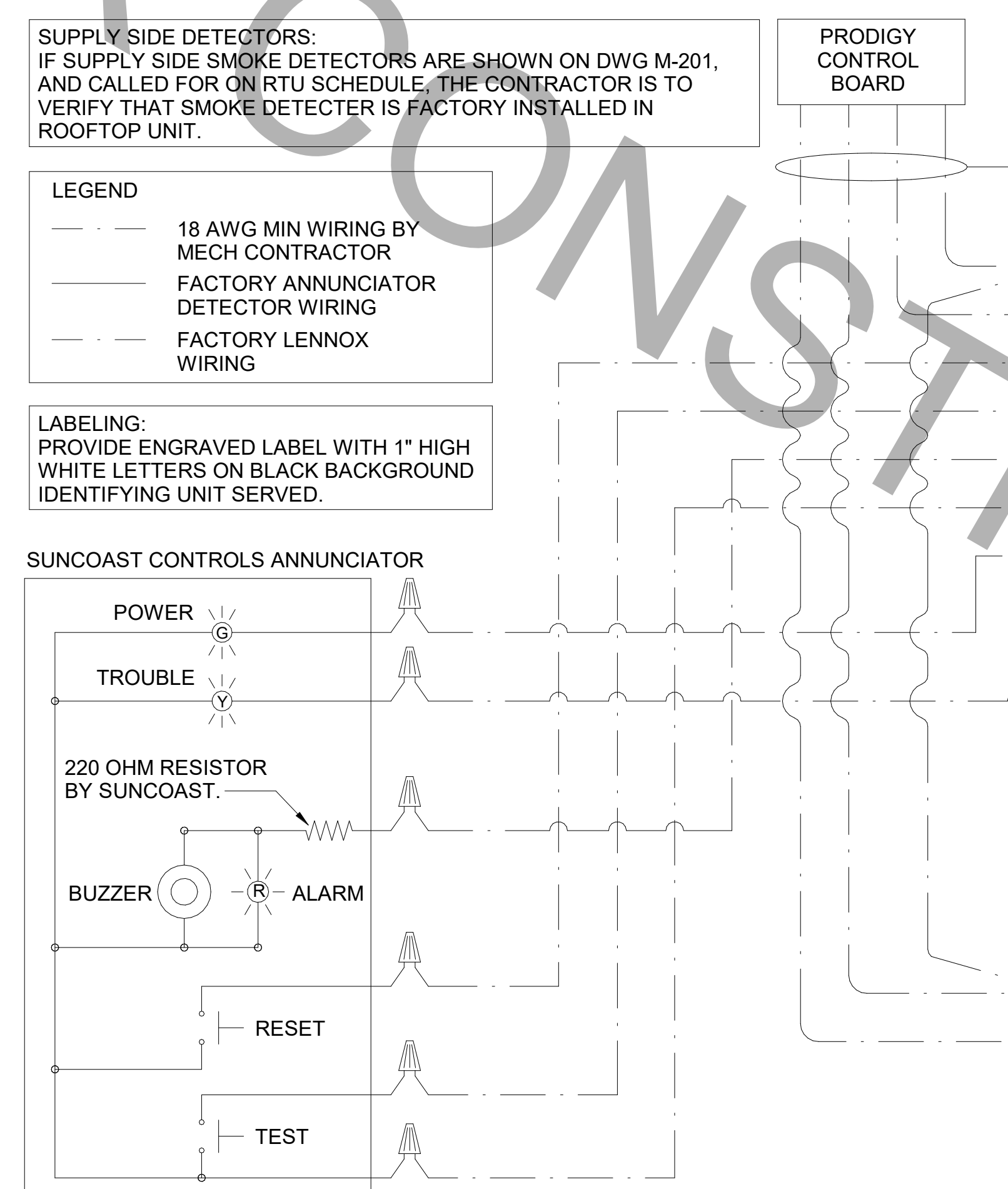


LENNOX PRODIGY CONTROLLER SETTINGS:

- FOR ALL RTU'S EXCEPT AC#1, ELIMINATE THE MORNING WARMUP/OA DAMPER DELAY. THE MENU PATH IS:
 - MAIN MENU > SETTINGS > RTU OPTIONS > EDIT PARAMETERS
 - FOR GAS HEAT UNITS (LGT):
 - CHANGE PARAMETER #65 SETTING TO 1 FOR ELECTRIC HEAT UNITS (LCT):
 - CHANGE PARAMETER #58 TO 1
 - ON UNIT AC#1
 - FOR GAS HEAT (LG) LEAVE AT 60-MINUTE DEFAULT
 - FOR ELECTRIC HEAT (LC) CHANGE VALUE TO EQUAL 90-MINUTE
- FOR HUMIDITROL UNITS THE MENU PATH IS:
 - MAIN MENU > SETTINGS > RTU OPTIONS > DEHUMIDIFIER MODE > NO CONDITIONS
 - SELECT LOCAL SENSOR AND SAVE
 - SET POINT: 60% DEHUMID DEADBAND: 2%
 - FOR ALL UNITS, SET BLOWER TO OPERATE AT ONE AIRFLOW FOR ALL MODES. MENU PATH IS:
 - MAIN MENU > INSTALL > TEST AND BALANCE > BLOWER
 - SET ALL HEATING AND COOLING CFM VALUES TO THE SAME VALUE AS SCHEDULED.
 - ADJUST AIRFLOW BY MEANS OF ADJUSTABLE BLOWER MOTOR SHEAVE.

LENNOX FRESH AIR HEATING SETUP WHEN SPECIFIED:

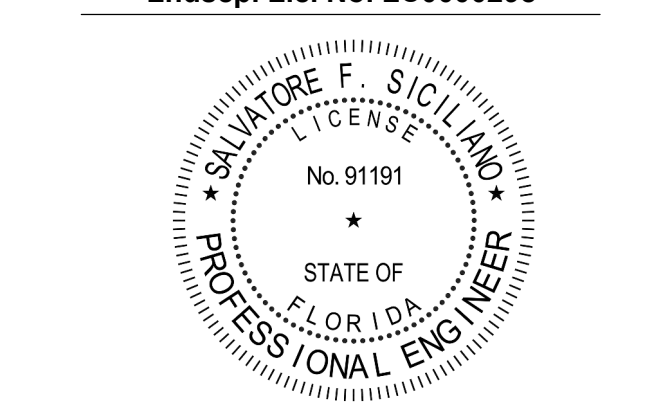
- INSTALL FRESH AIR TEMPERING KIT WIRING HARNESS AS RECOMMENDED BY LENNOX.
- LOCATE SUPPLY AIR TEMPERATURE SENSOR IN SUPPLY DUCT DOWNSTREAM OF FIRST ELBOW. SECURE WIRING TO DUCT OR STRUCTURE WITH RUBBER COATED CLAMPS. DO NOT RUN WIRING INSIDE DUCT WORK. PROTECT ALL WIRING PENETRATIONS WITH RUBBER GROMMETS.
- FOR PRODIGY 2.0: FIRST SET FRESH AIR HEATING ENABLE TO "YES" THRU THE TAB/DAMPER MENU (LEAVE FRESH AIR COOLING AS "NO"). NEXT, CHANGE PRODIGY-M3 BOARD CONTROL PARAMETER #156 TO A VALUE OF 66. THIS WILL PREVENT THE SUPPLY AIR TEMPERATURE FROM DROPPING BELOW 66F DEG DURING HEATING MODE WHEN THERMOSTAT IS NOT ACTIVELY CALLING FOR HEAT.
- CHANGE PRODIGY-M3 BOARD CONTROL PARAMETER #157 TO A VALUE OF 14. THIS WILL MAKE THE DEADBAND VALUE EQUAL 14F.
- CHANGE PRODIGY-M3 BOARD CONTROL PARAMETER #158 TO A VALUE OF 300. THIS WILL MAKE THE CYCLE TIME VALUE EQUAL 5 MINUTES.



Chick-fil-A
5200 Buffington Road
Atlanta, Georgia
30349-2998



www.cphcorp.com
A Full Service A & E Firm
Plans Prepared By:
CPH, LLC.
Licenses:
Eng. C.O.A. No. 3215
Survey L.B. No. 7143
Arch. Lic. No. A22600926
Lndscp. Lic. No. LC000298



CHICK-FIL-A
OAKLEAF TOWN CENTER
9630 APPLECROSS RD
JACKSONVILLE, FL 32222

FSU#02088
BUILDING TYPE / SIZE: 506(C)-R
RELEASE: 22.05

REVISION SCHEDULE

NO.	DATE	DESCRIPTION
1	12-15-2023	Permit Rev 2
2	03-05-2024	BID ADD 1

LEGEND

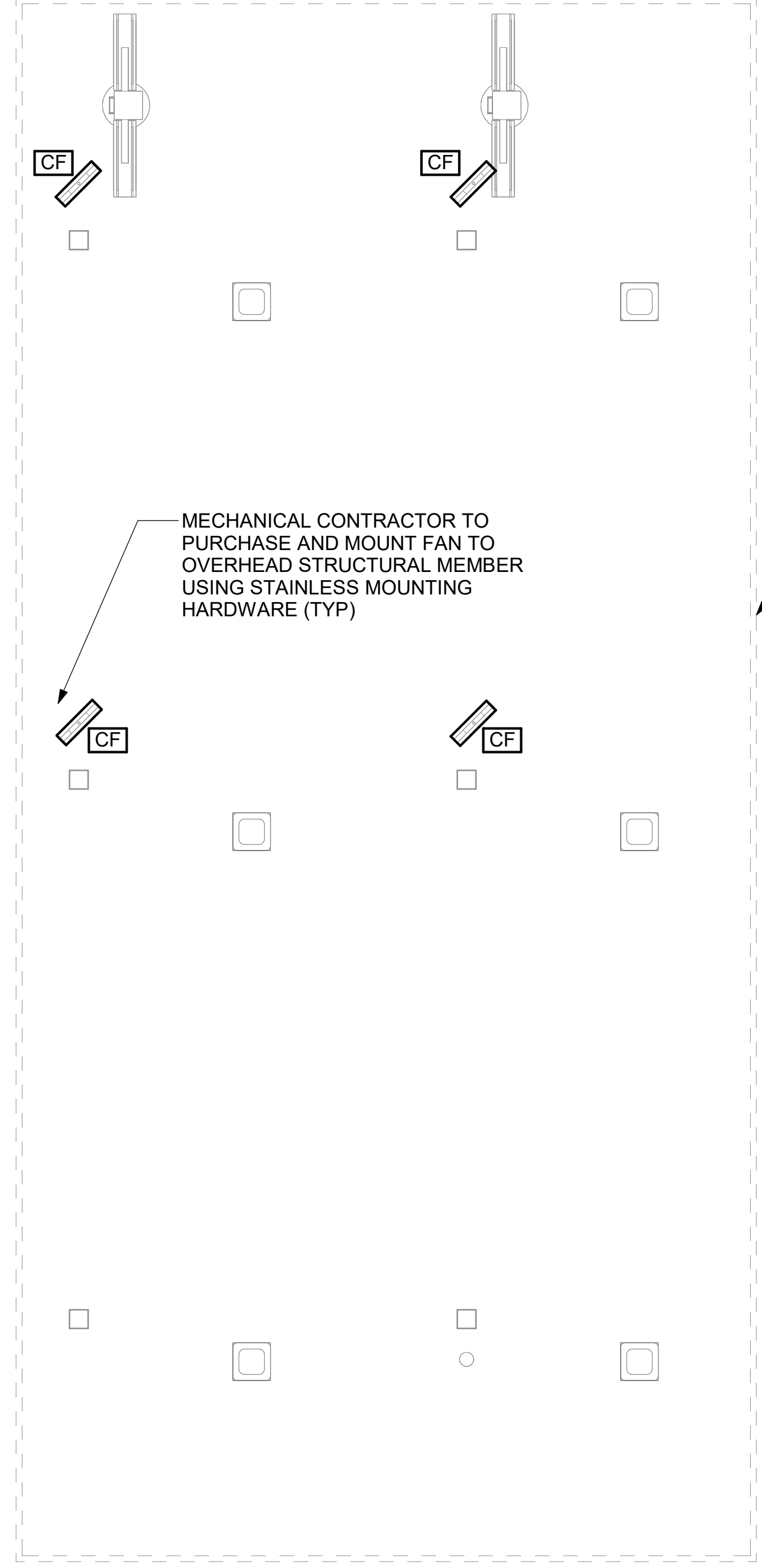
1	POWER (24VAC)	ALARM CONTACTS ARE SHOWN IN STANDBY STATE.
2	POWER (COM)	
3	RESET	
4	TEST	
5	ALARM SIGNAL	
6	AUXILIARY POWER (-)	
7	AUXILIARY POWER (+)	
8	ALARM INITIATION (COM)	ALARM N.O.
9	ALARM INITIATION (N.O.)	ALARM N.C.
21	TROUBLE CONTACT (N.C.)	TROUBLE N.C.
11	TROUBLE CONTACT (COM)	TROUBLE N.O.
10	TROUBLE CONTACT (N.O.)	TROUBLE N.C.
12	120V NEUTRAL	TROUBLE CONTACTS ARE SHOWN IN STANDBY STATE.
13	120VAC LINE	
15	AUX RELAY (N.C.)	AUX ALARM CONTACT A
16	AUX RELAY (COM/COM)	AUX ALARM CONTACT A
17	AUX RELAY (N.O.)	AUX ALARM CONTACT B
18	AUX RELAY (N.O.)	AUX ALARM CONTACT B
19	AUX RELAY (COM/COM)	AUX ALARM CONTACT B
20	AUX RELAY (N.C.)	AUX ALARM CONTACT B

CONSULTANT PROJECT # C291100
PRINTED FOR PERMIT
DATE 07/21/2023
DRAWN BY JRH

Information contained on this drawing and in all digital files produced for above named project may not be reproduced in any manner without express written or verbal consent from the project representative.
SHEET HVAC CONTROLS
SHEET NUMBER M-501

Autodesk Docs://FL_02088_Oakleaf Town Center FSU_2022.11_REI02088_MEC_Oakleaf Town Center (copy of C291118) Remodel.rvt
3/4/2024 4:17:02 PM
30-02088-M-601-CANOPY MECHANICAL PLANS

FOR CONSTRUCTION FOR CONSTRUCTION FOR CONSTRUCTION



1 MECHANICAL FLOOR PLAN - ORDER POINT CANOPY
1/4" = 1'-0"

CANOPY GENERAL NOTES

1. COORDINATE NEW WORK WITH EXISTING CONDUIT, STRUCTURE, AND PIPING. FIELD VERIFY EXISTING CONDITIONS PRIOR TO START OF WORK.
2. COORDINATE LOCATION AND RESPONSIBILITIES FOR UNDERGROUND PIPING AND ASSOCIATED TRENCHING WITH GENERAL CONTRACTOR PRIOR TO START OF WORK.



Chick-fil-A
5200 Buffington Road
Atlanta, Georgia
30349-2998

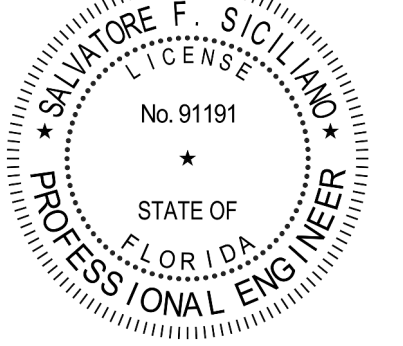


www.cphcorp.com

**A Full Service
A & E Firm**

Plans Prepared By:
CPH, LLC.

Licenses:
Eng. C.O.A. No. 3215
Survey L.B. No. 7143
Arch. Lic. No. AA2500826
Landscape Lic. No. LC0000298



CHICK-FIL-A
OAKLEAF TOWN CENTER
9630 APPLECROSS RD
JACKSONVILLE, FL 32222

FSU#02088

BUILDING TYPE / SIZE: S06(C)-R
RELEASE: 22.05

REVISION SCHEDULE

NO.	DATE	DESCRIPTION

CONSULTANT PROJECT #	C291100
PRINTED FOR	PERMIT
DATE	07/21/2023
DRAWN BY	JRH

Information contained on this drawing and in all digital files produced for above named project may not be reproduced in any manner without express written or verbal consent from authorized project representatives.

SHEET
CANOPY MECHANICAL
PLANS
SHEET NUMBER

M-601

PERMIT