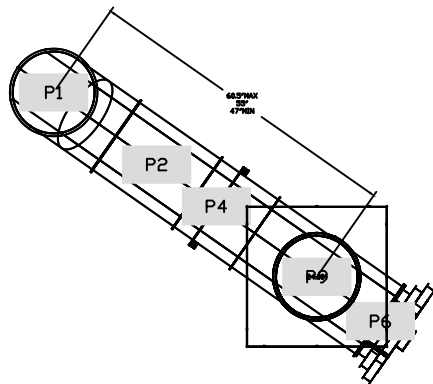


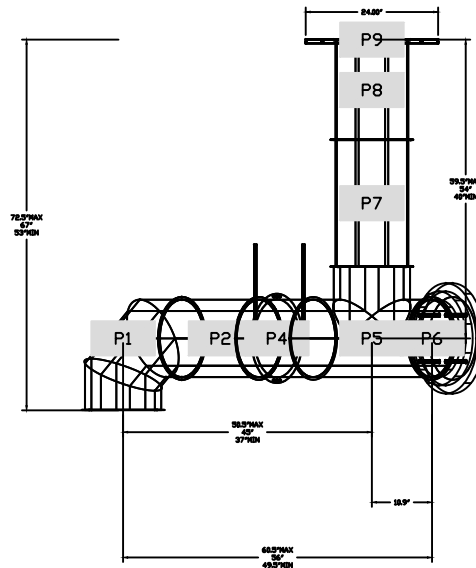
DUCTWORK #1 PARTS - JOB#5410203 DUCT RUN

TAG	PART #	CFM	GPM	ZONE	COVEREDBY	SP	WEIGHT	VELOCITY	QTY	DESCRIPTION
P1	EDW1490ASY	2000				-0.175	10.62	1870.88	1	SINGLE WALL DUCT 90 DEGREE ELBDW, 14" DUCT, ASSEMBLY.
P2	EDW1417LT	2000				-0.0088	8.22	1870.88	1	SINGLE WALL DUCT 14" DIAMETER, 17" LONG, FLANGE AT BOTH ENDS. STAINLESS STEEL.
P3	EDW1424AJDKIT	2000				-0.0062	14.56	1870.88	1	SINGLE WALL DUCT ADJUSTABLE, 14" DIAMETER, 23.5" LONG, FLANGE AT ONE END WITH A 14" ADJUSTABLE COLLAR - STAINLESS STEEL.
P4	EDW14SUBRASY						2.96		1	DUCT SUPPORT BRACKET KIT, 14" DUCT, USED FOR HANGING DUCT. 12 GA STEEL, CLEAR ZINC COATING. - 2 RINGS, 4 BRACKETS, & HARDWARE BAG 2.
P5 ASSEMBLED W/P6	EDW14TEASY	2000		1		-0.2	15.95	1870.88	1	SINGLE WALL DUCT TEE, 14" DUCT, ASSEMBLY.
P6 ASSEMBLED W/P5 D=S	EDW1415ADIASY						13.89		1	DUCT ACCESS DOOR - INSULATED - USED WITH 14" DUCT - GREASE DAM INCLUDED - ASSEMBLY.
P7	EDW1423LT	2000				-0.0118	10.97	1870.88	1	SINGLE WALL DUCT 14" DIAMETER, 23" LONG, FLANGE AT BOTH ENDS. STAINLESS STEEL.
P8 ASSEMBLED W/P9	EDW1430AJDKIT	2000				-0.0092	17.56	1870.88	1	SINGLE WALL DUCT ADJUSTABLE, 14" DIAMETER, 29.5" LONG, FLANGE AT ONE END WITH A 14" ADJUSTABLE COLLAR - STAINLESS STEEL.
P9 ASSEMBLED W/P8	EDW23514TPDBEX	2000					8.00	1870.88	1	DUCT TO CURB TRANSITION 3/4" DOWN TURN, 23.50" CURB TO 14" DUCT, 16 GA ALUMINIZED. USED ON BUIIS AND DUES. TRANSITION PLATE DD IS 23.5" DESIGNED FOR USE WITH EXHAUST FAN. NON-STANDARD PART.
SYSTEM AT P9						-1.479	0.00			
	E3M-2000PLUS						0.80		3	DUCT - 3M FIRE BARRIER 2000 PLUS SILICONE - USED AS SEALANT TO SEAL DUCT JOINTS.
	EDW14CLASY						1.06		7	DUCT 'V' CLAMP WITH NEW DESIGN 14 GA BRACKETS, 14" DUCT, ASSEMBLY.
TOTAL WEIGHT							112.55			

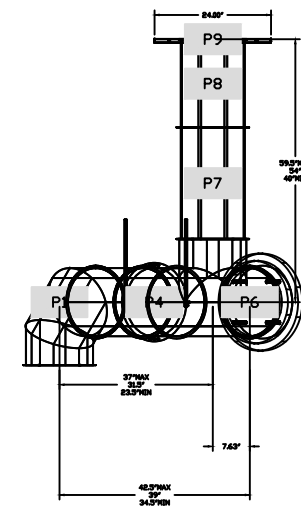
DUCTWORK #1 TOP VIEW
DUCT RUN



DUCTWORK #1 FRONT VIEW
DUCT RUN



DUCTWORK #1 SIDE VIEW
DUCT RUN



REVISIONS

NO.	DESCRIPTION	DATE

econ·air
Air Solutions
www.econair.com
1328 East Kemper Rd. Ste. 4210, Cincinnati, OH 45244-5005
PHONE: (513) 846-5005
EMAIL: eqt20@econair.com

LaRosa's Ductwork (College Hill)
5830 Hamilton Ave,
Cincinnati, OH, 45224

DATE: 4/5/2022
DWG.#: 5410203
DRAWN BY: jcl-III
SCALE: 3/4" = 1'-0"
MASTER DRAWING

SHEET NO.
1