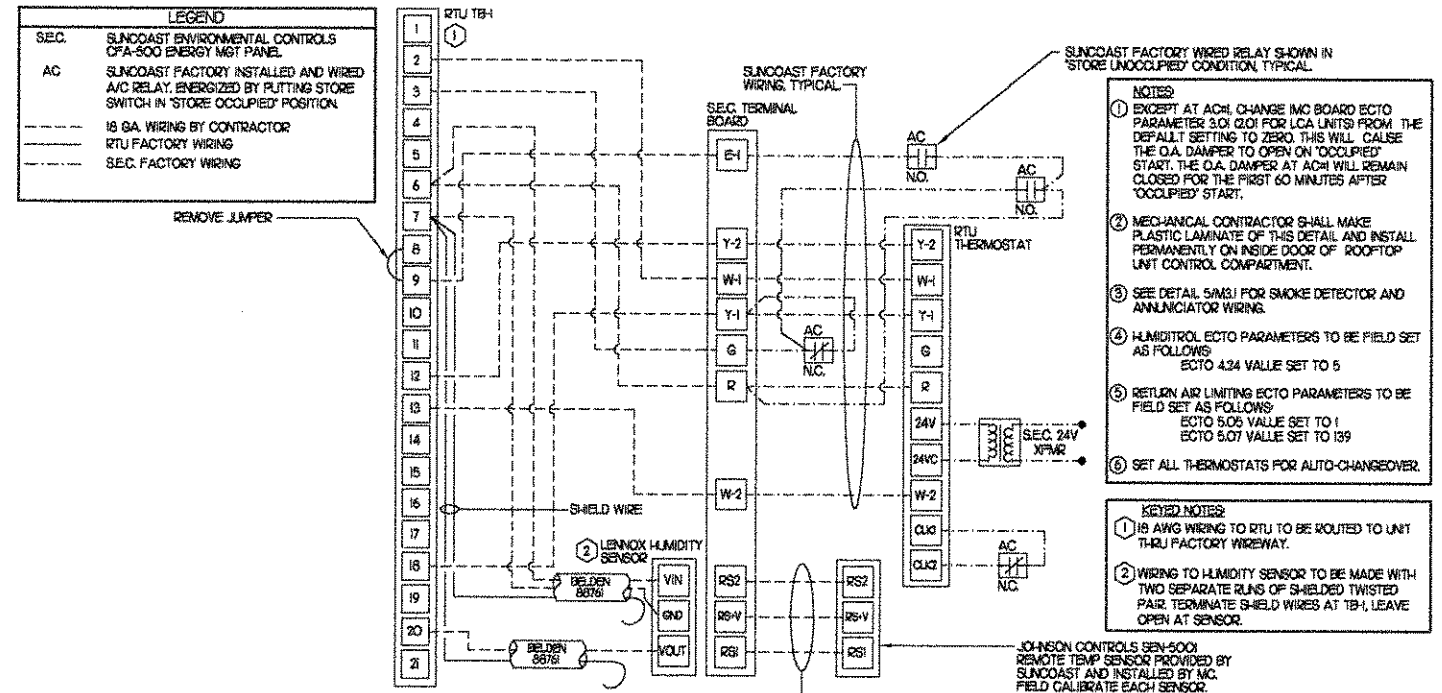


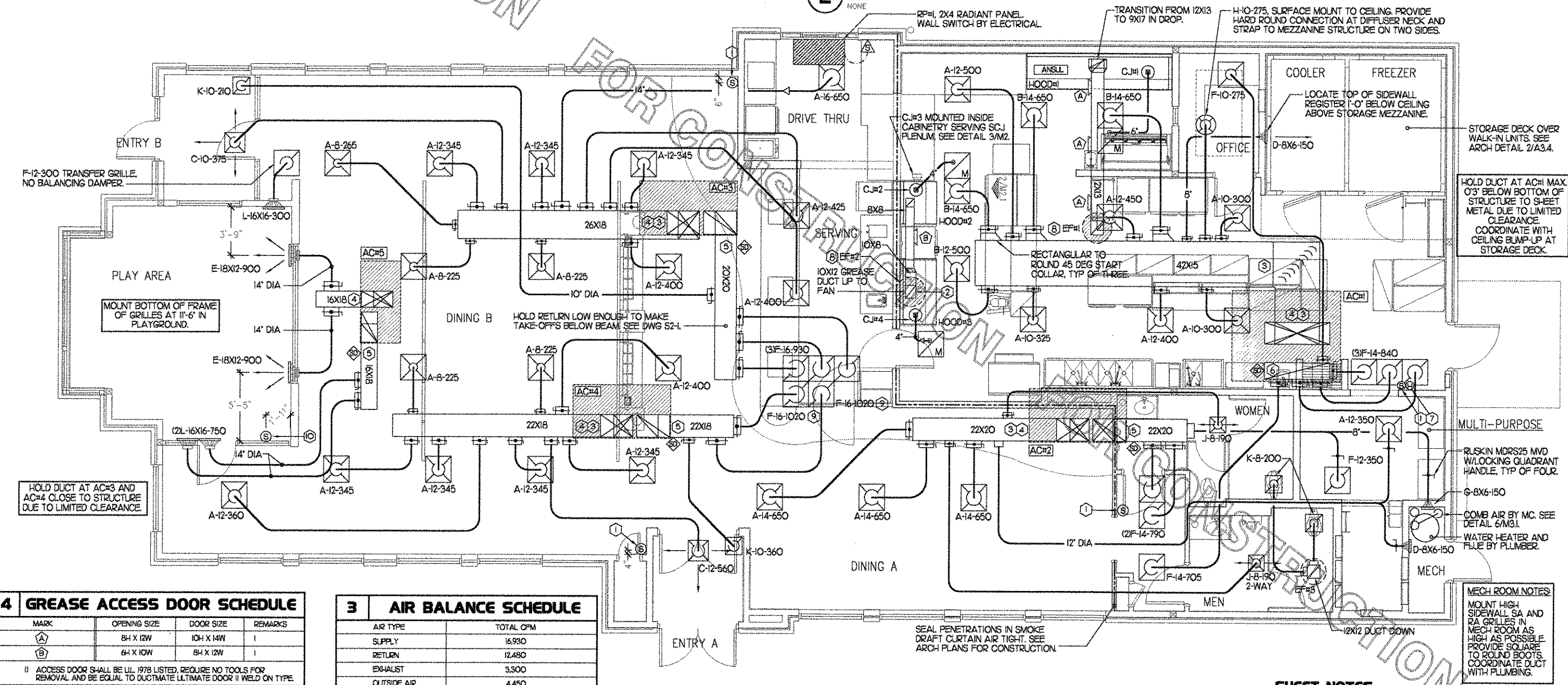
LEGEND			
A-12-400	TYPE - NECK SIZE - CFM	EF#1	EXHAUST FAN #1 (TYP)
	SPIN-IN FITTING WITH MANUAL BALANCING DAMPER, WITHOUT SCOOP	ACH#1	AIR CONDITIONING UNIT #1 (TYP)
	SPIN-IN HARD ϕ FLEXIBLE ϕ DIFFUSER		RETURN/EXHAUST (TYP)
	REMOTE TEMPERATURE SENSOR		SUPPLY DIFFUSER, SO FACE (TYP)
	HUMIDITY SENSOR		PLAN NOTE REFERENCE
	SMOKE DETECTOR		MANUAL VOLUME DAMPER
12X18	DUCT SIZE 1ST NUMBER - HORIZONTAL DIMENSION 2ND NUMBER - VERTICAL DIMENSION		DIRECTION OF THROW ON DIFFUSER

KEY NOTES

- MOUNT REMOTE SENSOR ON WALL AT 5'-0" AFF AND ROUTE WIRING BACK TO SUNCOAST TEMP CONTROL PANEL.
- 6X8 CONNECTION TO HOOD#3 WITH HALTON KBD EQUALIZER IN RISER. SEE DWG M21 FOR MORE INFORMATION.
- BRANCH TAKE-OFFS ARE NOT TO BE LOCATED CLOSER THAN 3'-0" FROM ANY ELBOW INCLUDING THE SUPPLY AIR DROP FROM CURB.
- TRANSITION IN VERTICAL DROP FROM FULL SIZE OF CURB OPENING TO SIZE SHOWN, PROVIDE TURNING VANES IN ELBOW.
- TRANSITION IN VERTICAL DROP FROM FULL SIZE OF CURB OPENING TO SIZE SHOWN, NO TURNING VANES IN ELBOW.
- R/A DUCT DROP TO BE FULL SIZE OF CURB CONNECTION. TERMINATE DROP 0'-5" ABOVE CEILING.
- MOUNT LENOX HUMIDITY SENSOR ON WALL ABOVE SPACE TEMP SENSOR AND ROUTE WIRING TO UNIT ON ROOF.
- EF#1 AND EF#2 MUST BE LOCATED A MINIMUM OF 10 FT FROM PARAPETS.
- INSULATION ON DUCT DROP THROUGH UPPER CEILING TO STOP AT UPPER CEILING PENETRATION SAND/DEGREASE GALVANIZED SHEET METAL AND PAINT FLAT WHITE. CEILING TILE AT UPPER CEILING TO BE CUT TO FIT AROUND DUCT DROP.
- MOUNT REMOTE SENSOR FOR PLAYGROUND 10'-4" AFF. ROUTE WIRING BACK TO SUNCOAST TEMP CONTROL PANEL.



2 ROOFTOP UNIT CONTROL WIRING



4 GREASE ACCESS DOOR SCHEDULE

MARK	OPENING SIZE	DOOR SIZE	REMARKS
A	84 X 12W	104 X 14W	1
B	64 X 10W	84 X 12W	1

1 ACCESS DOOR SHALL BE UL 1978 LISTED, REQUIRE NO TOOLS FOR REMOVAL AND BE EQUAL TO DUCTMATE ULTIMATE DOOR II WELD ON TYPE.

3 AIR BALANCE SCHEDULE

AIR TYPE	TOTAL CFM
SUPPLY	16,930
RETURN	12,480
EXHAUST	3,500
OUTSIDE AIR	4,450
BUILDING POSITIVE PRESSURE	150

1 MECHANICAL FLOOR PLAN

1/4"=1'-0"

SHEET NOTES

- DUCT SIZES SERVING DIFFUSERS AND GRILLES ARE SAME SIZE AS DIFFUSER OR GRILLE NECK UNLESS NOTED OTHERWISE.

5200 Buffington Rd.
Atlanta Georgia,
30349-2998

Revisions:

Mark	Date	By
△		
△		
△		

Seal

BENBOR ENGINEERING, LLC
3000 Langford Road
Building 2400
Norcross, GA 30071
(770) 728-1422, bus
(770) 728-0490, fax
rbennor@bennor-eng.com

STORE
Kedron Village FSU
S06-B

Highway 74 at
Peachtree Pkwy
Peachtree City, GA

SHEET TITLE
MECHANICAL
FLOOR PLAN

DWG. EDITION 05.9
REVISION

Job No. : 6084
Store : 2007
Date : 6-10-08
Drawn By : RWW
Checked By : RDB
Sheet

M-11

FOR CONSTRUCTION

5 KITCHEN HOOD SYSTEMS NOTES

1. CHICK-FIL-A MAINTAINS A NATIONAL ACCOUNT WITH HALTON CO. FOR THE HOODS. CHICK-FIL-A WILL PURCHASE AND PROVIDE THE HOODS FOR INSTALLATION BY THE MECHANICAL CONTRACTOR. THE MECHANICAL CONTRACTOR SHALL BE RESPONSIBLE FOR RECEIVING THE HOODS. CONTACT HALTON CO. AT 270-237-5600 FOR MORE INFO.
2. THE FIRE SUPPRESSION SYSTEM SHALL CONSIST OF A COMPLETE WET ANSLL SYSTEM FURNISHED BY HALTON. THE HOOD SHALL BE FURNISHED PRE-PIPED BY HALTON.
3. THE R-102 ANSLL FIRE SUPPRESSION SYSTEM EXTERNAL TO THE HOODS SHALL BE INSTALLED IN ACCORDANCE WITH HOOD MANUFACTURER'S SHOP DRAWINGS BY AN AUTHORIZED ANSLL SYSTEM INSTALLER HIRED BY HALTON.
4. HOOD EXHAUST DUCTWORK SHALL BE 16 GA. BLACK STEEL WITH CONTINUOUS LIQUID TIGHT WELD OF JOINTS & SEAMS.
5. TURNS IN GREASE EXHAUST DUCTWORK SHALL BE LONG RADIUS TYPE, WITH A CENTERLINE RADIUS R=3W/2, NO EXCEPTIONS ALLOWED. NO MITERED FITTINGS ALLOWED.
6. ALL STAINLESS STEEL CLOSURE PANELS SHALL BE SUPPLIED BY HOOD MANUFACTURER AND INSTALLED BY THE MECHANICAL CONTRACTOR ACCORDING TO MANUFACTURER'S RECOMMENDATIONS.
7. SLOPE ALL GREASE EXHAUST DUCT BACK TO HOOD AT 1/4" PER FOOT OF RUN.
8. WRAP NEW GREASE DUCT WITH 3M FIRE BARRIER 15A. ACCESS DOORS SHALL BE INSTALLED ACCORDING TO 3M FIRE BARRIER PRODUCTS INSTALLATION MANUAL.
9. SUPPORT HOODS WITH 1/2" THREADED ROD AT FOUR CORNERS. ATTACH TO STRUCTURE WITH STRUT AS DETAILED ON STRUCTURAL DRAWING SS-1.

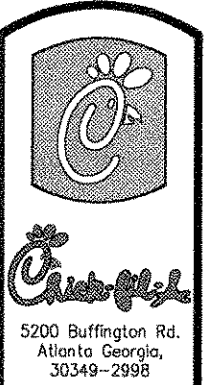
4 HOOD SCHEDULE

MARK	EXHAUST CFM	SP * TAB PORT	CAPTURE JET CFM & S.P.	TYPE	COLLAR SIZE	WIDTH	DEPTH	HEIGHT	MANUFACTURER	MODEL	REMARKS
HOOD#1	1700	0.20'	100 * 0.30'	BACK SHELF	9X17	136.5"	34"	48"	HALTON	KVL	1,2,3,4,5,6,7,9,10
HOOD#2	700	0.27'	30 * 0.30'	BACK SHELF	8'X8'	40"	34"	48"	HALTON	KVL	1,2,4,5,10,11
HOOD#3	500	0.07'	30 * 0.30'	BACK SHELF	8'X8'	67"	34"	48"	HALTON	KVL	1,2,4,5,10,12,13,14

NOTES: DIMENSIONS OF HOODS INCLUDE BACK AND SIDE SPACERS (HEIGHT DOES NOT INCLUDE CLOSURE PANELS).

REMARKS:

- 1) STAINLESS STEEL CONSTRUCTION.
- 2) PROVIDE FULL HEIGHT SS CLOSURE PANEL WITH ACCESS PANEL IN FRONT LARGE ENOUGH TO REMOVE CAPTURE JET FAN.
- 3) PROVIDE FULL HEIGHT SS CLOSURE PANEL WITH ACCESS PANEL IN FRONT LARGE ENOUGH TO SERVICE ANSLL COMPONENTS.
- 4) PROVIDE PRE-PIPED ANSLL R-102 WET FIRE EXTINGUISHING SYSTEM.
- 5) PROVIDE 3" BACK SPACER.
- 6) PROVIDE 3" RIGHT SIDE SPACER.
- 7) PROVIDE NOTCHED LEFT END SIDE PANEL.
- 8) PROVIDE NOTCHED RIGHT END SIDE PANEL.
- 9) ANSLL CABINET AND COMPONENTS ON LEFT SIDE ABOVE HOOD.
- 10) PROVIDE TOP PLENUM CAPTURE JET FAN, SPEED CONTROLLER AND COLLAR.
- 11) PROVIDE COUNTER MOUNTED SIDE CAPTURE JET PLENUM ASSEMBLY AND FAN ON RIGHT SIDE OF HOOD.
- 12) PROVIDE HALTON KBD EQUALIZER WITH FACTORY INSTALLED 6X6 TRANSITIONS ON LEAVING CONNECTION FLANGE.
- 13) PROVIDE ACCESS PANEL IN FRONT LARGE ENOUGH TO ACCESS KBD EQUALIZER JACK SCREW.
- 14) PROVIDE FULL LEFT END PANEL EXTENDING BELOW TOP OF COOKING SURFACE.



Revisions:

Mark	Date	By
△		
△		
△		

Seal

BENKOR ENGINEERING, LLC
 3000 Langford Road
 Building 2400
 Norcross, GA 30071
 (770) 729-1422, bus
 (770) 729-0430, fax
 cad@benkor-engineering.com

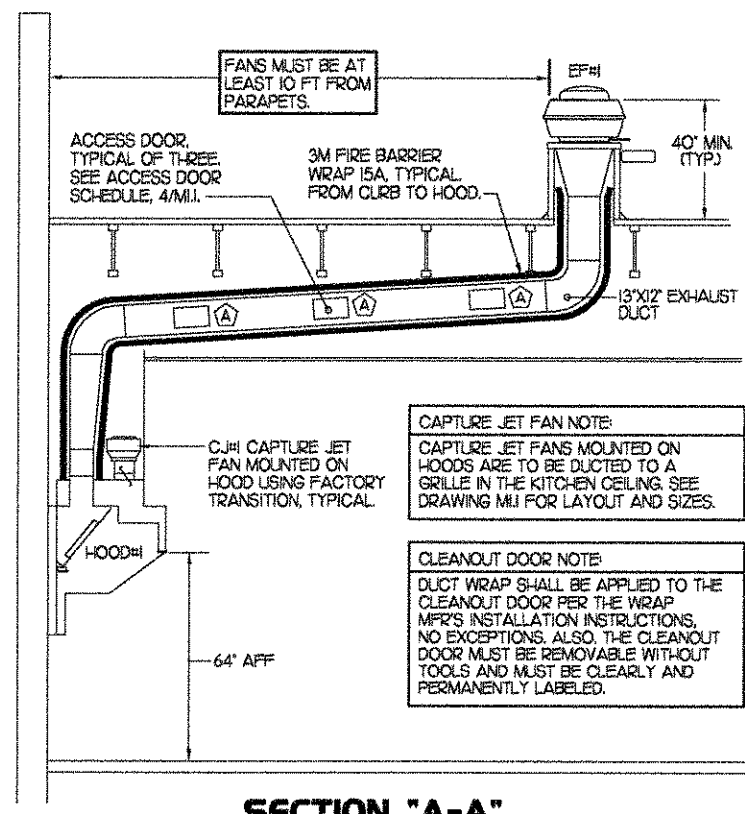
STORE
 Kedron Village FSU
 S06-B
 Highway 74 at
 Peachtree Pkwy
 Peachtree City, GA

SHEET TITLE
**HOOD DETAILS
 & SCHEDULES**

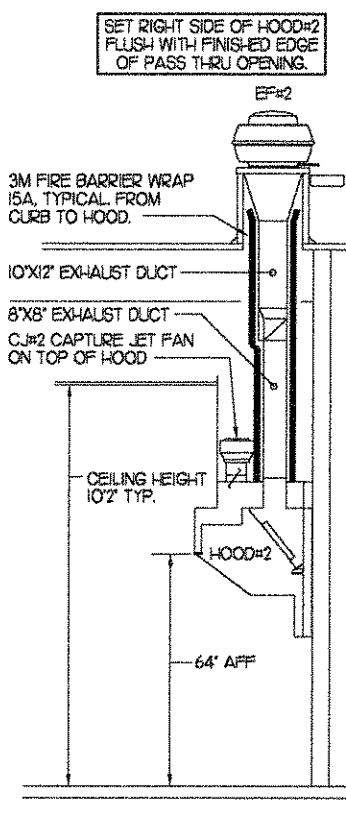
DWG EDITION 05.9
 REVISION -

Job No. : 6064
 Store : 2007
 Date : 6-10-06
 Drawn By : RWW
 Checked By : ROB

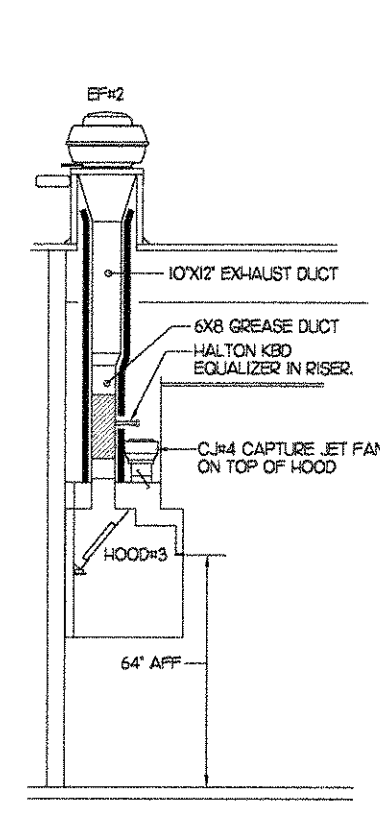
Sheet
M-2.1



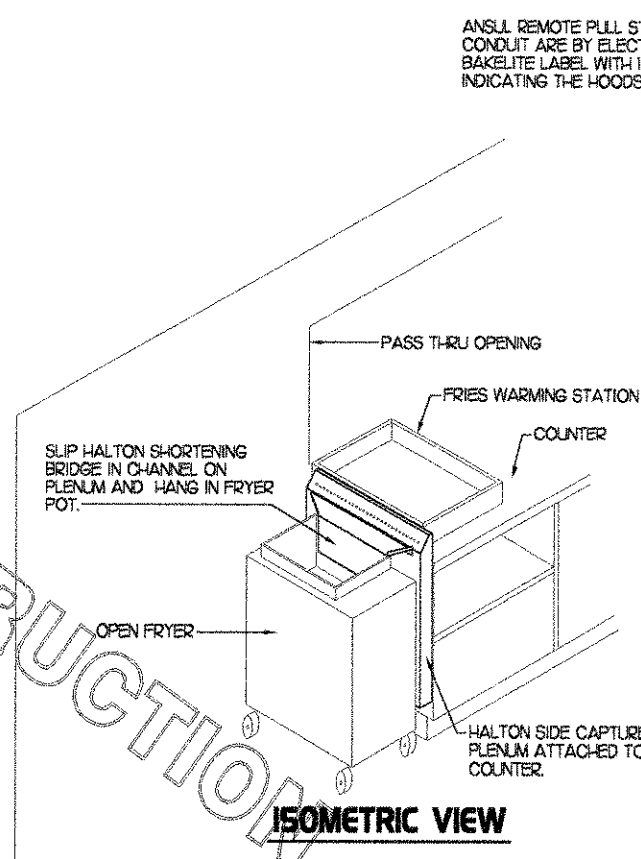
SECTION "A-A"



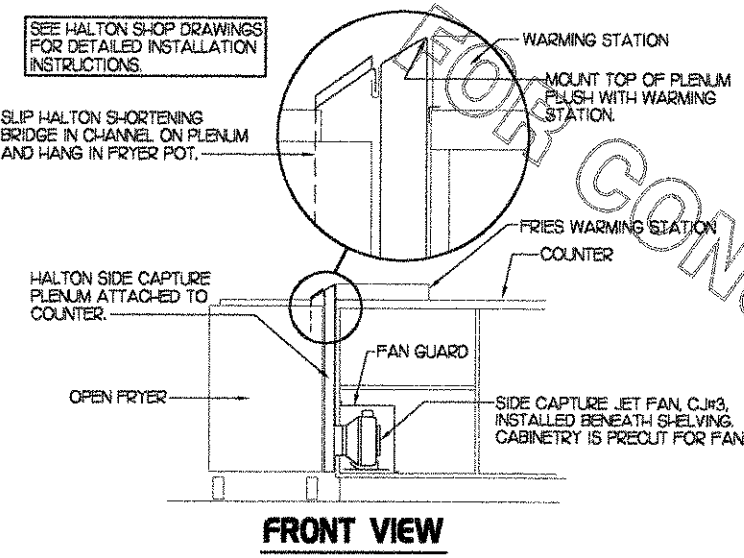
SECTION "B-B"



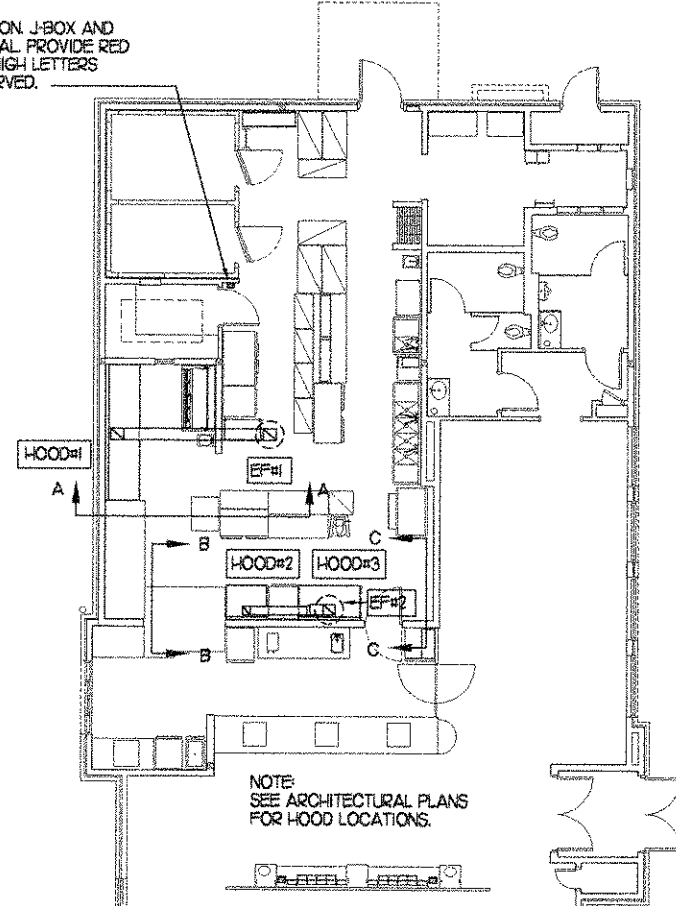
SECTION "C-C"



ISOMETRIC VIEW



FRONT VIEW



HOOD LAYOUT

2 HALTON SIDE CAPTURE JET PLENUM
 NOT TO SCALE

3 HOOD ELEVATIONS
 NONE

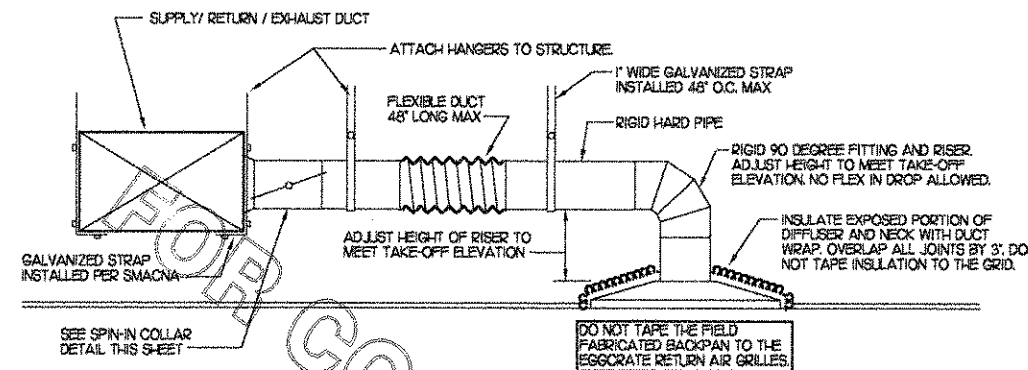
3

1

1/8"=1'-0"

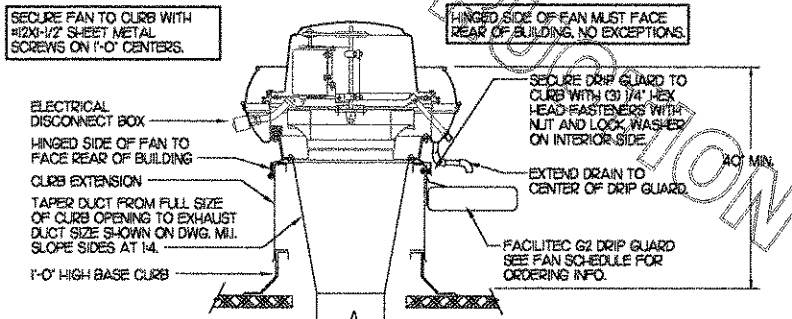
FOR CONSTRUCTION

FOR CONSTRUCTION



1 SAG/RAG/GRILLE TAKE-OFF

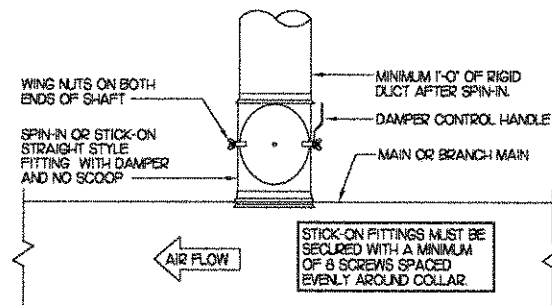
NO SCALE



3 KITCHEN HOOD EXHAUST FAN

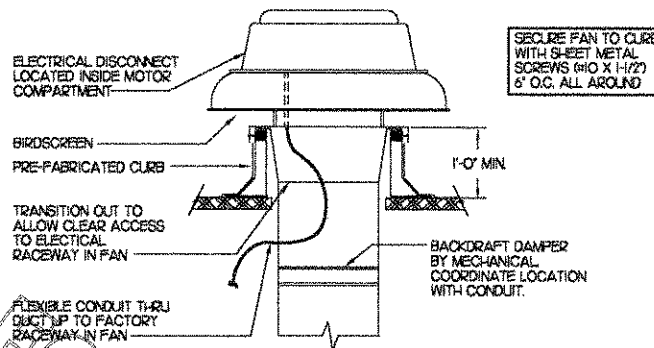
NO SCALE

DAMPER CONTROL HANDLE MUST BE EXPOSED. ATTACH A YELLOW FLUORESCENT CONSTRUCTION RIBBON TO THE HANDLE RIBBON MUST HANG 12\"/>



2 SPIN-IN COLLAR

NO SCALE



4 RESTROOM EXHAUST FAN

NO SCALE

10 GAS FIRED ROOFTOP UNIT SCHEDULE											
MARK	COOLING CAPACITY (MBH)		HEATING CAPACITY (MBH)		FAN SECTION (CFM)			MODEL	MANUFACTURER	REMARKS	
	TOTAL	SENS	INPUT	OUTPUT	SUPPLY	O.A.	ESP				
AC#1	18.9	13.2	48.0	38.0	5,000	1,650	5	.70	LG18042EH	LENNOX	13.5.8.9.10.11.2
AC#2	10.0	7.8	24.0	19.0	2,850	750	2	.65	LG10202EH	LENNOX	2.3.5.8.9.10.11.2
AC#3	128.0	90.8	240.0	192.0	4,000	1,000	3	.65	LG12042EH	LENNOX	13.5.7.8.9.10.11.2
AC#4	10.0	7.8	24.0	19.0	3,350	750	2	.65	LG10202EH	LENNOX	2.3.5.8.9.10.11.2
AC#5	63.9	47.3	125.0	100.0	1,800	300	1.5	.65	LG10202EH	LENNOX	3.4.5.7.8.9.10.11.2

NOTES:
 • COOLING CAPACITIES ARE GROSS, BASED ON INDOOR 75°F DB/62°F WB, OUTDOOR 95°F DB/75.2°F WB
 • CHICK-FIL-A MAINTAINS A NATIONAL ACCOUNT FOR EQUIPMENT WITH LENNOX CORPORATION. CONTACT EMILY MURRAY WITH LENNOX NATIONAL ACCOUNTS AT 972-497-5261 (OR BY FAX AT 972-497-5260) FOR PRICING, ORDERING AND AVAILABILITY.

REMARKS:
 1) PROVIDE DIFFERENTIAL ENTHALPY ECONOMIZER WITH POWER EXHAUST.
 2) PROVIDE DIFFERENTIAL ENTHALPY ECONOMIZER WITH BAROMETRIC EXHAUST.
 3) PROVIDE 14\"/>

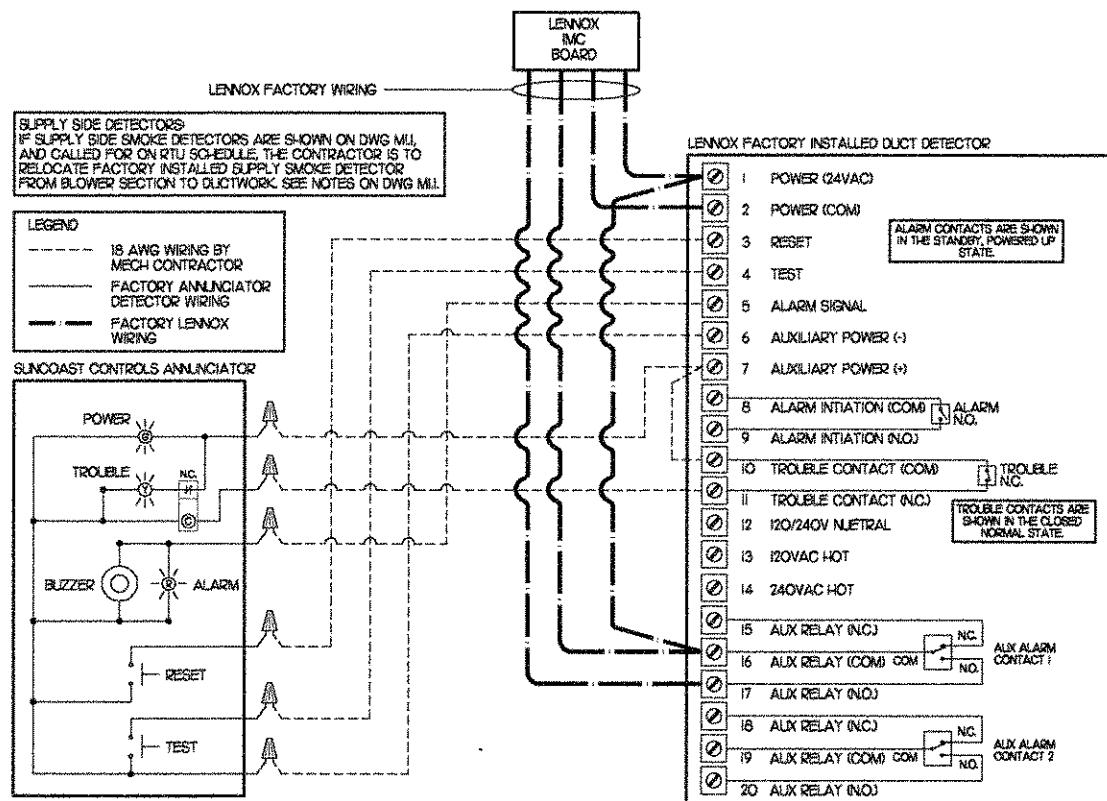
9 EXHAUST FAN SCHEDULE										
MARK	CFM	ESP	RPM	TIP SPEED (FPS)	IP	AREA SERVED	MODEL	MANUFACTURER	REMARKS	
EF#1	1700	3/4	1574	101	3/4	HOOD#	NERTD-140A	JENN	12.3.4.10	
EF#2	1200	3/4	1286	85	3/4	HOOD#2 & HOOD#3	NERTD-140A	JENN	12.3.4.10	
EF#3	400	1/4	1225	50	1/4	RESTROOMS	RE2810S+	JENN	25.6.7.8.9.10	

NOTES:
 GREASE EXHAUST FAN RPM BASED ON 76 DEGREE F AIR AT SEA LEVEL.

REMARKS:
 1) PROVIDE FACTORY 1\"/>

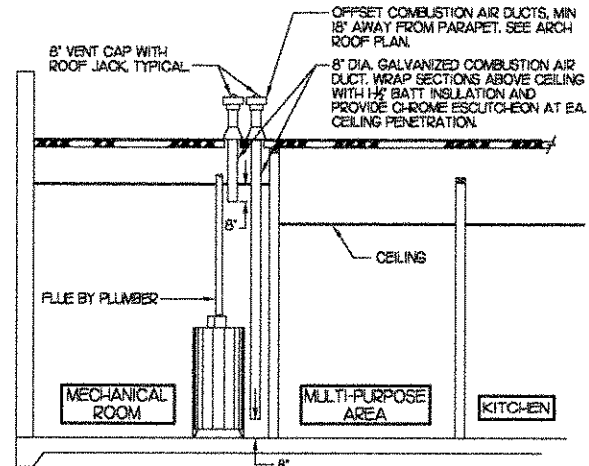
8 AIR DEVICE SCHEDULE							
MARK	DESCRIPTION	LOCATION	NECK SIZE	FACE SIZE	FRAME TYPE	REMARKS	
A	TITUS MODEL PSS-AA ALUMINUM SUPPLY AIR DIFFUSER WITH AIR PATTERN CONTROLLER.	DINING AREA KITCHEN	SEE PLAN	24X24	LAY-IN	17	
B	TITUS MODEL PAR-AA ALUMINUM RETURN AIR GRILLE USED AS A SUPPLY DIFFUSER.	KITCHEN	SEE PLAN	24X24	LAY-IN	17	
C	TITUS MODEL MCD STEEL SUPPLY AIR DIFFUSER FIELD ADJUSTABLE AIR PATTERN CONTROLLERS.	ENTRY 'A' ENTRY 'B'	14X14	19X19	SURFACE	15.7	
D	TITUS MODEL 272P DOUBLE DEFLECTION ALUMINUM SIDEWALL SUPPLY GRILLE FRONT BLADE PARALLEL TO SHORT SIDE.	MECHANICAL ROOM MEZZANINE	8X6	10X8	SURFACE	17	
E	TITUS MODEL 272FL DOUBLE DEFLECTION ALUMINUM SIDEWALL SUPPLY GRILLE FRONT BLADE PARALLEL TO LONG SIDE.	PLAYGROUND	18X12	20X14	SURFACE	17	
F	DONCO MODEL CDF EGGRATE RETURN AIR GRILLE WITH REMOVABLE WHITE COKE, FACTORY FLAT BACKPAN AND ROUND NECK.	DINING/OFFICE KITCHEN	SEE PLAN	24X24	LAY-IN	17	
G	TITUS MODEL 56FL ALUMINUM SIDEWALL RETURN GRILLE, FRONT BLADE PARALLEL TO LONG SIDE.	MECHANICAL ROOM	8X6	10X8	SURFACE	17	
H	TITUS MODEL TMR-AA ALUMINUM CONCENTRIC ROUND CONE SUPPLY DIFFUSER.	OFFICE	10	18	LAY-IN	16.7	
J	TITUS MODEL MCD STEEL SUPPLY AIR DIFFUSER FIELD ADJUSTABLE AIR PATTERN CONTROLLERS.	RESTROOMS	10X10	15X15	SURFACE	12.3.5.7	
	TITUS MODEL PAR STEEL PERFORATED FACE RETURN AIR GRILLE WITH OBD.	RESTROOMS ENTRY 'A' & 'B'	14X14	16X16	SURFACE	14.7	
	TITUS MODEL 56FL ZERO DEGREE DEFLECTION ALUMINUM SIDEWALL RETURN GRILLE FRONT BLADE PARALLEL TO LONG SIDE.	PLAYGROUND	16X16	18X18	SURFACE	17	
M	TITUS MODEL PAR-AA ALUMINUM RETURN AIR GRILLE	KITCHEN	6	24X24	LAY-IN	17	

REMARKS:
 1) STANDARD OPE WHITE FINISH.
 2) PROVIDE MODEL AG-85 NECK DAMPER.
 3) SEE DRAWINGS MILL FOR THROW.
 4) PROVIDE MODEL AG-75 NECK DAMPER ON GRILLES IN RESTROOMS.
 5) FIELD FABRICATE 8\"/>



5 SMOKE DETECTOR AND ANNUNCIATOR WIRING DIAGRAM

NO SCALE

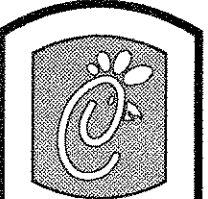


6 WATER HEATER VENT/C.A. ROUTING

NO SCALE

7 RADIANT CEILING PANEL SCHEDULE						
MARK	WATTAGE	FRAME SIZE	BTU	MOUNTING TYPE	MODEL	MANUFACTURER
RP#1	750	24\"/>				

REMARKS:
 1) MANUAL SWITCH ON WALL BY ELECTRICAL.
 2) COORDINATE ELECTRICAL CHARACTERISTICS WITH ELECTRICAL PLANS PRIOR TO ORDERING.
 3) MECHANICAL TO PROVIDE PLASTIC ENGRAVED LABEL ON WALL SWITCH WITH 1/2\"/>



5200 Buffington Rd.
 Atlanta Georgia,
 30349-2998

Revisions:
 Mark Date By

△

Mark Date By

△

Mark Date By

△

Seal

BENOR ENGINEERING, LLC
 3000 Longford Road
 Building 2400
 Norcross, GA 30071
 (770) 728-1422 bus
 (770) 728-0490 fax
 rbenor@benoreng.com

STORE
 Kedron Village FSU
 S06-B

Highway 74 at
 Peachtree Pkwy
 Peachtree City, GA

SHEET TITLE
 HVAC DETAILS
 & SCHEDULES

DWG EDITION 05.9
 REVISION

Job No. : 6064
 Store : 2007
 Date : 6-10-06

Drawn By : RWW
 Checked By : ROB

Sheet

M-31

