

HOOD INFORMATION – JOB#5023373

HOOD NO	TAG	MODEL	MANUFACTURER	LENGTH	MAX COOKING TEMP	TYPE	APPLIANCE DUTY	DESIGN CFM/FT	TOTAL EXH CFM	EXHAUST PLENUM RISER(S)						HOOD CONSTRUCTION	HOOD CONFIG		
										WIDTH	LENG	HEIGHT	DIA	CFM	VEL		SP	END TO END	ROW
1	HD 1	5424 ND-2	CAPTIVEAIRE	6' 0"	450 DEG	I	MEDIUM	185	1110			4'	12"	1110	1413	-0.288'	430 SS WHERE EXPOSED	ALONE	ALONE

PATENT NUMBERS

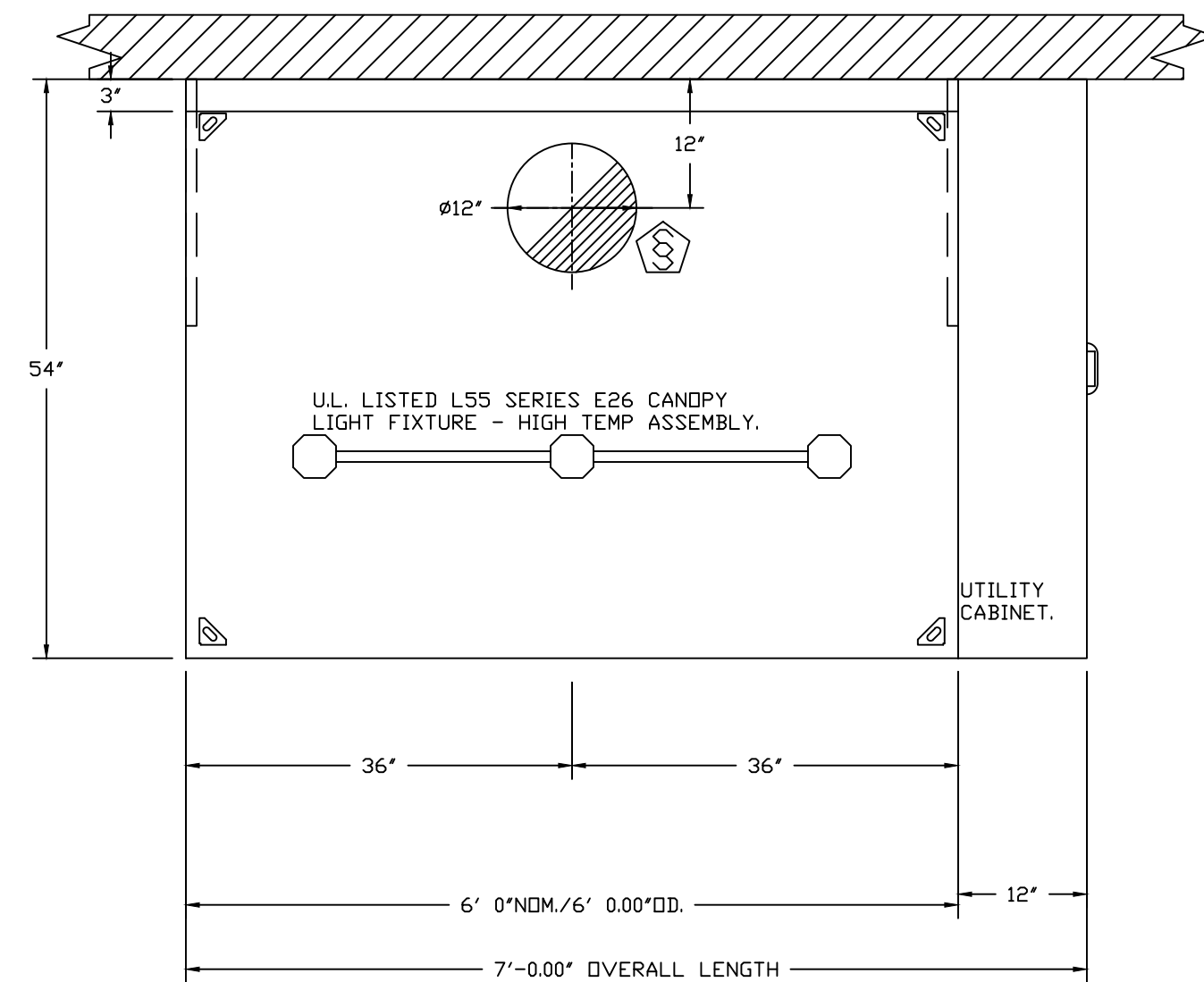
EXHAUST HOODS ND-2/BD-2/SND-2 (CANADA) – CA PATENT 2520435 C.

HOOD INFORMATION

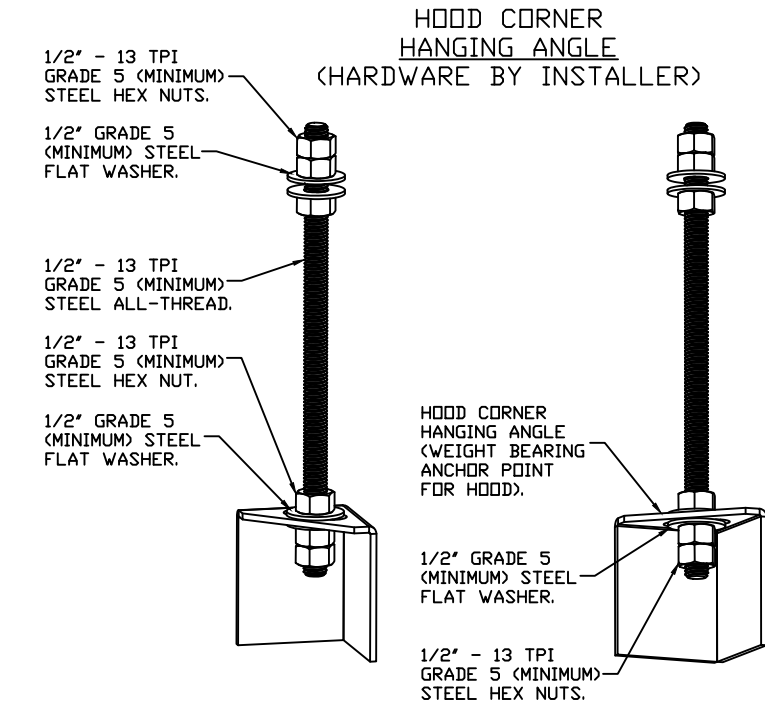
HOOD NO	TAG	FILTER(S)				LIGHT(S)				UTILITY CABINET(S)				FIRE SYSTEM	HOOD HANGING WEIGHT		
		TYPE	QTY	HEIGHT	LENGTH	EFFICIENCY @ 7 MICRONS	QTY	TYPE	WIRE GUARD	LOCATION	SIZE	TYPE	SIZE			ELECTRICAL MODEL #	SWITCHES QUANTITY
1	HD 1	SS BAFFLE WITH HANDLES	4	16"	16"	30%	3	L55 SERIES E26	NO	RIGHT	12"x54"x24"	TANK FS	4.0	SC-110110MA	1 LIGHT 1 FAN	YES	536 LBS

HOOD OPTIONS

HOOD NO	TAG	OPTION
1	HD 1	FIELD WRAPPER 15.00" HIGH FRONT, LEFT, RIGHT. RIGHT QUARTER END PANEL 23" TOP WIDTH, 0" BOTTOM WIDTH, 23" HIGH 430 SS. LEFT QUARTER END PANEL 23" TOP WIDTH, 0" BOTTOM WIDTH, 23" HIGH 430 SS. SENSOR-CV.

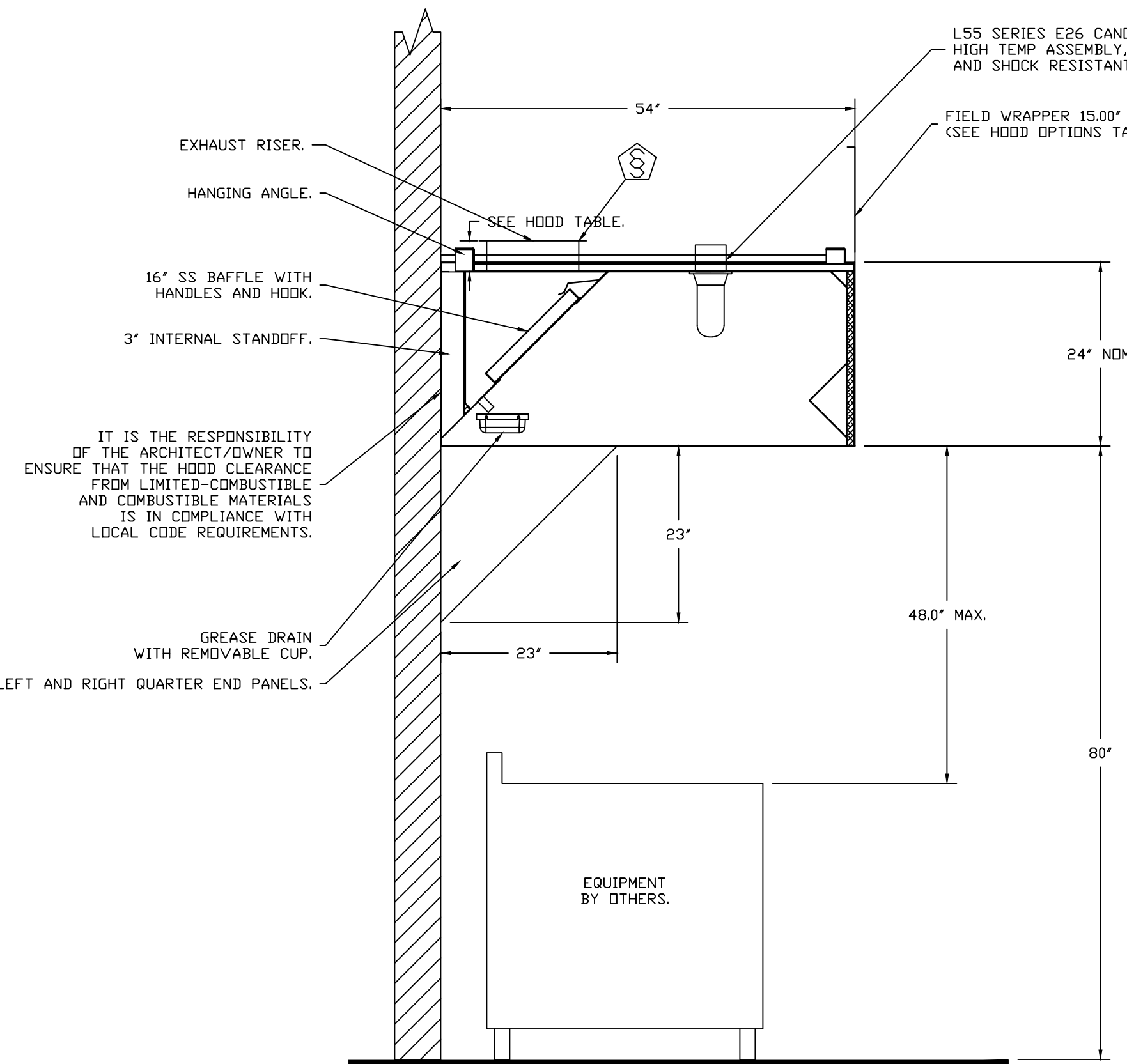


PLAN VIEW – HOOD #1 (HD 1)
6' 0.00" LONG 5424ND-2



ASSEMBLY INSTRUCTIONS

HANGING ANGLE MUST BE SUPPORTED WITH 1/2" – 13 TPI GRADE 5 (MINIMUM) ALL-THREAD. SANDWICH HANGING ANGLES AND CEILING ANCHOR POINTS WITH 1/2" GRADE 5 (MINIMUM) STEEL FLAT WASHERS AND 1/2" – 13 TPI GRADE 5 (MINIMUM) HEX NUTS AS SHOWN. MUST USE DOUBLED HEX NUT CONFIGURATION BENEATH HOOD HANGING ANGLES AND ABOVE CEILING ANCHORS. MAINTAIN 1/4" OF EXPOSED THREADS BENEATH BOTTOM HEX NUT. TORQUE ALL HEX NUTS TO 57 FT-LBS.



SECTION VIEW – MODEL 5424ND-2
HOOD – #1 (HD 1)

EXHAUST FAN INFORMATION – JOB#5023373

FAN UNIT NO	TAG	QTY	FAN UNIT MODEL #	MANUFACTURER	CFM	ESP	RPM	MOTOR ENCL	HP	BHP	PHASE	VOLT	FLA	DISCHARGE VELOCITY	WEIGHT (LBS)	SONES
1	KEF 1	1	DU50HFA	CAPTIVEAIRE	1110	0.850	1472	TEAD-ECM	0.500	0.3300	1	115	6.3	422 FPM	77	15.4

FAN OPTIONS

FAN UNIT NO	TAG	QTY	DESCRIPTION
1	KEF 1	1	GREASE BOX.
1	KEF 1	1	ECM WIRING PACKAGE – PWM SIGNAL FROM ECPM03 PREWIRE (TELCO MOTOR), CCW ROTATION.
1	KEF 1	1	2 YEAR PARTS WARRANTY.

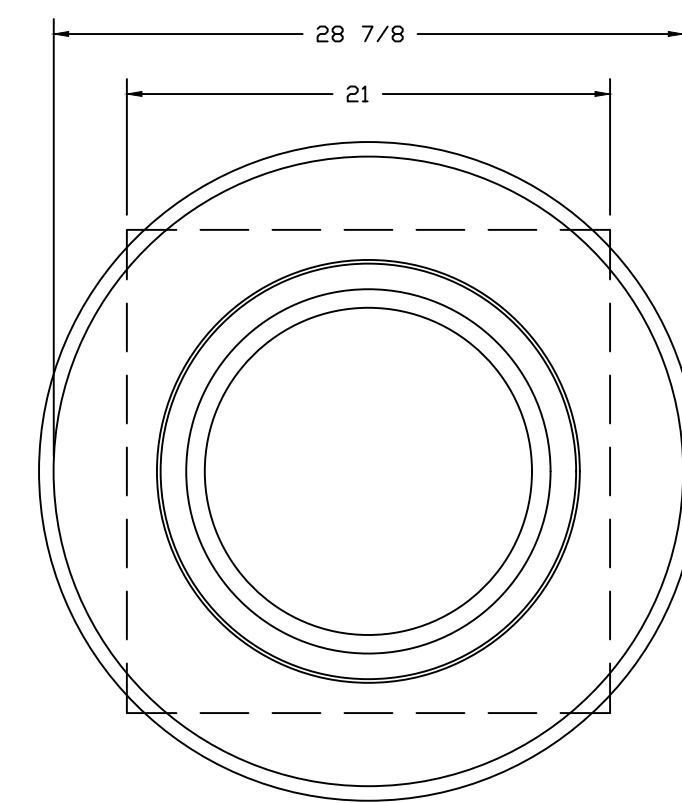
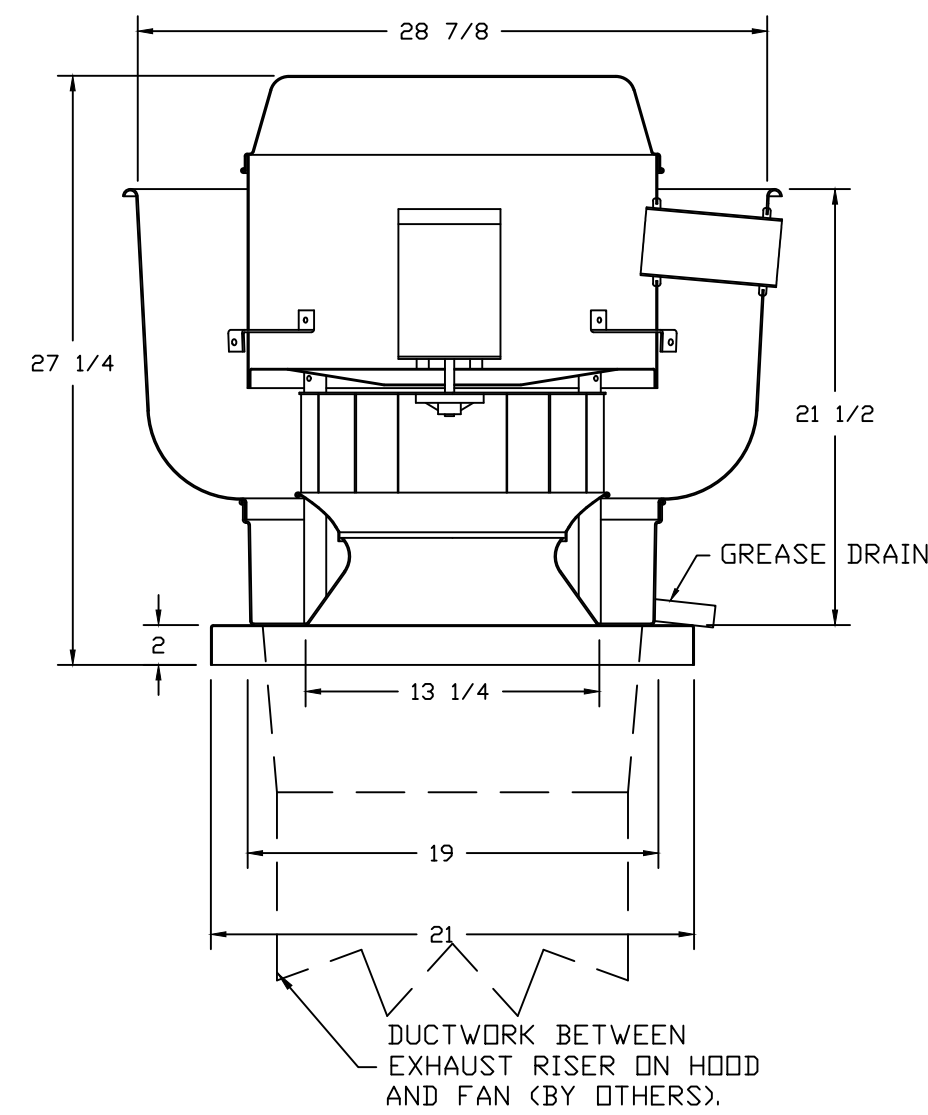
FAN ACCESSORIES

FAN UNIT NO	TAG	EXHAUST				SUPPLY		
		GREASE CUP	GRAVITY DAMPER	WALL MOUNT	SIDE DISCHARGE	GRAVITY DAMPER	MOTORIZED DAMPER	WALL MOUNT
1	KEF 1	YES						

CURB ASSEMBLIES

NO	ON FAN	TAG	WEIGHT	ITEM	SIZE
1	# 1	KEF 1	34 LBS	CURB	19.500"W X 19.500"L X 24.000"H ALONG LENGTH, RIGHT VENTED HINGED.

FAN #1 DU50HFA – EXHAUST FAN (KEF 1)



TOP VIEW

FEATURES:

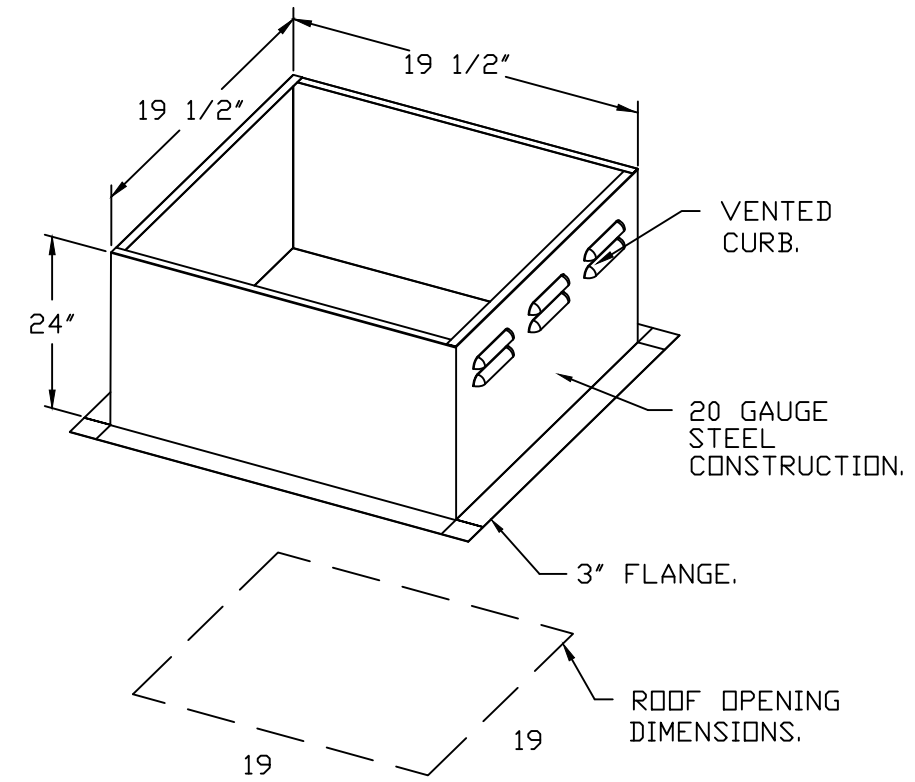
- DIRECT DRIVE CONSTRUCTION (NO BELTS/PULLEYS).
- ROOF MOUNTED FANS.
- RESTAURANT MODEL.
- UL705 AND UL762 AND ULC-S645
- VARIABLE SPEED CONTROL.
- INTERNAL WIRING.
- THERMAL OVERLOAD PROTECTION (SINGLE PHASE).
- HIGH HEAT OPERATION 300°F (149°C).
- GREASE CLASSIFICATION TESTING.
- NEMA 3R SAFETY DISCONNECT SWITCH.

NORMAL TEMPERATURE TEST
EXHAUST FAN MUST OPERATE CONTINUOUSLY WHILE EXHAUSTING AIR AT 300°F (149°C) UNTIL ALL FAN PARTS HAVE REACHED THERMAL EQUILIBRIUM, AND WITHOUT ANY DETERIORATING EFFECTS TO THE FAN WHICH WOULD CAUSE UNSAFE OPERATION.

ABNORMAL FLARE-UP TEST
EXHAUST FAN MUST OPERATE CONTINUOUSLY WHILE EXHAUSTING BURNING GREASE VAPORS AT 600°F (316°C) FOR A PERIOD OF 15 MINUTES WITHOUT THE FAN BECOMING DAMAGED TO ANY EXTENT THAT COULD CAUSE AN UNSAFE CONDITION.

OPTIONS

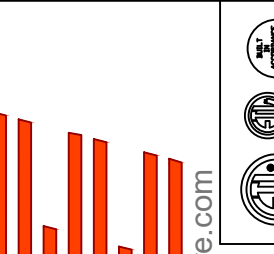
- GREASE BOX.
- ECM WIRING PACKAGE – PWM SIGNAL FROM ECPM03 PREWIRE (TELCO MOTOR), CCW ROTATION.
- 2 YEAR PARTS WARRANTY.



PITCHED CURBS ARE AVAILABLE FOR PITCHED ROOFS.
SPECIFY PITCH:
EXAMPLE: 7/12 PITCH = 30° SLOPE.

REVISIONS

DESCRIPTION	DATE



CAPTIVE AIR SOLUTIONS
www.captiveair.com
1329 East Kemper Rd., Ste. 4210, Cincinnati, OH, 45246 PHONE: (513) 860-5555 EMAIL: reg121@captiveair.com

Chicka Wing
1875 S Limestone St,
Springfield, OH, 45505

DATE: 10/4/2021

DWG.#:
5023373

DRAWN BY: jcirilli

SCALE:
3/4" = 1'-0"

MASTER DRAWING

SHEET NO.

