



**Chick-fil-A**  
 5200 Buffington Road  
 Atlanta, Georgia  
 30349-2998

**Kurzynske & Associates**  
 2705 Lebanon Pike - Suite One  
 Nashville, Tennessee 37214  
 Telephone: (615) 255-5203

MARK T. KURZYSKIE  
 FLORIDA LICENSE # 53568

01/20/23

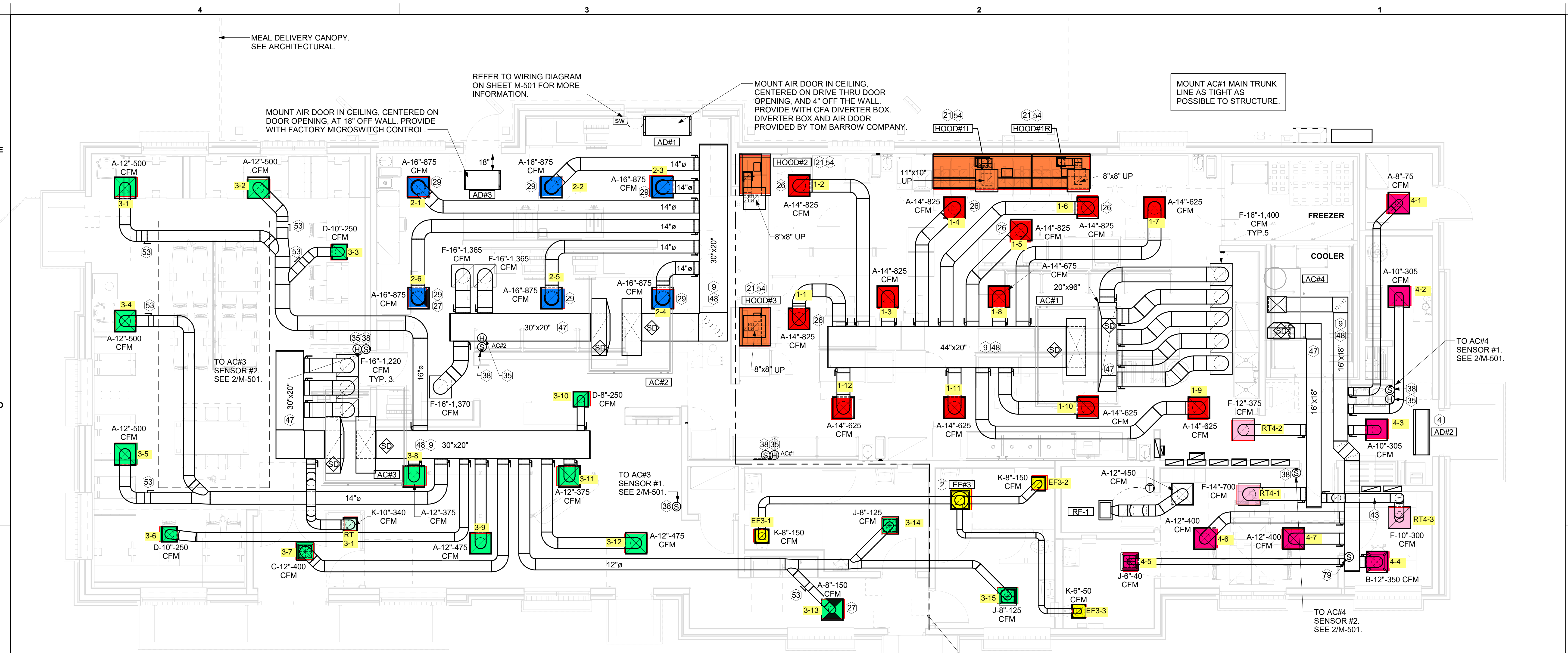
**CHICK-FIL-A**  
**FORT WALTON BEACH**  
 122 EGLIN PKWY NE  
 FT WALTON BEACH, FL 32548

**FSR#05183**  
 BUILDING TYPE / SIZE: P14 LS LRG  
 RELEASE: 22.08  
 PRINTED FOR: CONSTRUCTION  
**REVISION SCHEDULE**

NO.	DATE	DESCRIPTION
2	01/20/23	IFC Set

CONSULTANT PROJECT # 22098.CC.S  
 DATE 10/17/2022  
 DRAWN BY BLM  
 Information contained on this drawing and all digital files produced for above named project may not be reproduced in any manner without express written or verbal consent from authorized project representatives.  
 SHEET MECHANICAL FLOOR PLAN  
 SHEET NUMBER

**M-201**



**1 MECHANICAL FLOOR PLAN**  
 1/4" = 1'-0"

**SHEET NOTES**

- DUCT SIZES SERVING DIFFUSERS AND GRILLES ARE SAME SIZE AS DIFFUSER OR GRILLE NECK UNLESS NOTED OTHERWISE.
- FLEXIBLE DUCT NOT SHOWN FOR CLARITY. ALL TAKE-OFFS SHALL INCLUDE FLEXIBLE DUCT. SEE DETAIL 1/M-401 FOR FLEXIBLE DUCT INSTALLATION REQUIREMENTS.
- FOR SUPPLY AND RETURN OPENINGS, CUT OPENING AROUND DUCT DROPS 4" TO 8" MINIMUM (EXCEPT WHERE STRUCTURE PREVENTS THIS). SEE ARCHITECTURAL AND STRUCTURAL DRAWINGS.
- AT EACH PIECE OF ROOF EQUIPMENT, PROVIDE A PLASTIC ENGRAVED LABEL WITH 1" HIGH WHITE LETTERS ON A BLACK BACKGROUND. THE LABEL IS TO HAVE A SELF ADHESIVE BACKING.
- UNLESS NOTED OTHERWISE, MC TO ADJUST ALL DIFFUSER AIR PATTERN DEFLECTORS TO THROW HORIZONTALLY ALONG THE CEILING.
- SUPPORT ALL DUCT DROPS AT BASE OF DROP FROM STRUCTURE.

**KEY NOTES**

- 10X10 UP THRU ROOF.
- AIR CURTAIN MOUNTED OVER DOOR HEADER AT 7'-2" AFF TO BOTTOM OF UNIT. PROVIDE BLOCKING IN WALL BEHIND AIR CURTAIN. USE FACTORY PRE-PUNCHED MOUNTING HOLES ON BACK SIDE OF AIR CURTAIN ONLY. ATTACH AIR CURTAIN TO WALL USING 3/8" LAG BOLTS. LENGTH AS REQUIRED TO FULLY PENETRATE BLOCKING. LOCATE MAGNETIC CONTACT TYPE MICROSWITCH IN DOOR FRAME ON STRIKE SIDE.
- BRANCH TAKE-OFFS ARE NOT TO BE LOCATED CLOSER THAN 3'-0" FROM ANY OFFSET OR ELBOW INCLUDING THE SUPPLY AIR DROP FROM CURB.
- HALTON KBD DAMPER AT HOOD COLLAR BY MECHANICAL CONTRACTOR. SEE HOOD ELEVATIONS ON M-301 FOR LOCATION.
- MECHANICAL CONTRACTOR TO ADJUST PATTERN DEFLECTORS TO THROW STRAIGHT DOWN.
- MECHANICAL CONTRACTOR TO CLOSE THE AIR PATTERN DEFLECTORS ON SHADED SIDE.
- PROVIDE 16" TO 14" TRANSITION ON COLLAR OF DIFFUSER.
- MOUNT REMOTE HUMIDITY SENSOR ON WALL ABOVE SPACE TEMP SENSOR AND ROUTE WIRING TO UNIT ON ROOF.
- MOUNT REMOTE SENSOR ON WALL AT 5'-0" AFF U.N.O. AND ROUTE WIRING BACK TO SUNCOAST TEMP CONTROL PANEL. FOR SENSOR SERVING AC#1, COORDINATE EXACT LOCATION WITH KITCHEN EQUIPMENT.
- ROUTE DUCT WITHIN STRUCTURE.
- TRANSITION IN VERTICAL DROP FROM FULL SIZE OF CURB OPENING TO SIZE SHOWN. SEE DETAIL 6/M-401 FOR REQUIRED TRANSITION GEOMETRY. TRANSITION WITHIN CURB WHERE REQUIRED TO AVOID STRUCTURE. WHERE THE DUCT IS SHOWN OFFSET HORIZONTALLY, PROVIDE ELBOW WITHOUT TURNING VANES. FOR DROPS WITH NO HORIZONTAL OFFSET, EXTEND DROP BELOW STRUCTURE TO ACCOMMODATE START COLLARS. TERMINATE DROP A MINIMUM 0'-10" ABOVE CEILING IF REQUIRED TO ACCOMMODATE TAKE-OFF AND DROP IS NOT LOCATED DIRECTLY ABOVE A LIGHT).
- TRANSITION IN VERTICAL DROP FROM FULL SIZE OF CURB OPENING TO SIZE SHOWN. TRANSITION WITHIN CURB WHERE REQUIRED TO AVOID STRUCTURE. WHERE THE DUCT IS SHOWN OFFSET HORIZONTALLY, PROVIDE ELBOW WITH TURNING VANES. FOR DROPS WITH NO HORIZONTAL OFFSET, EXTEND DROP BELOW STRUCTURE TO ACCOMMODATE START COLLARS. TERMINATE DROP A MINIMUM 0'-10" ABOVE CEILING IF REQUIRED TO ACCOMMODATE TAKE-OFF AND DROP IS NOT LOCATED DIRECTLY ABOVE A LIGHT).
- RUSKIN MDRS25 MVD W/LOCKING QUADRANT HANDLE.
- SEE ELEVATIONS ON M-301 FOR CJ FAN DUCTING REQUIREMENT.
- TO AC#4, SENSOR #3. SEE 2/M-501.

**LEGEND**

MARK	TYPE - NECK SIZE - CFM	EF#1	EXHAUST FAN #1 (TYP.)
[Symbol]	SPIN-IN FITTING WITH MANUAL BALANCING DAMPER, WITHOUT SCOOP	AC#1	AIR CONDITIONING UNIT #1 (TYP.)
[Symbol]	SPIN-IN HARD Ø FLEXIBLE Ø DIFFUSER	[Symbol]	RETURN/EXHAUST (TYP.)
[Symbol]	REMOTE TEMPERATURE SENSOR	[Symbol]	SUPPLY DIFFUSER, SQ FACE (TYP.)
[Symbol]	HUMIDITY SENSOR	[Symbol]	PLAN NOTE REFERENCE
[Symbol]	SMOKE DETECTOR	[Symbol]	MANUAL VOLUME DAMPER
[Symbol]	DUCT SIZE (reverse for elevation views) 1ST NUMBER - HORIZONTAL DIMENSION 2ND NUMBER - VERTICAL DIMENSION	[Symbol]	DIRECTION OF THROW ON DIFFUSER
[Symbol]	AIR DOOR SWITCH	[Symbol]	CLOSED AIR PATTERN DEFLECTOR
[Symbol]	ELECTRICAL CONTRACTOR	[Symbol]	GAS INFRARED HEATER (TYP.)
[Symbol]	MECHANICAL CONTRACTOR	[Symbol]	BELOW GRADE
[Symbol]	ELECTRIC INFRARED HEATER	[Symbol]	THERMOSTAT

**AIR BALANCE SCHEDULE - LARGE**

MARK	SUPPLY AIR	RETURN AIR	OUTSIDE AIR	EXHAUST AIR	BUILDING POSITIVE PRESSURE
AC#1	8,750 CFM	7,000 CFM	1,750 CFM	0 CFM	
AC#2	5,250 CFM	4,100 CFM	1,150 CFM	0 CFM	
AC#3	5,250 CFM	4,000 CFM	1,250 CFM	0 CFM	
AC#4	1,875 CFM	1,375 CFM	500 CFM	0 CFM	
EF#1	0 CFM	0 CFM	0 CFM	1,913 CFM	
EF#2	0 CFM	0 CFM	0 CFM	1,402 CFM	
EF#3	0 CFM	0 CFM	0 CFM	375 CFM	
	21,125 CFM	16,475 CFM	4,650 CFM	3,690 CFM	960 CFM

**H.E.S. SYSTEM**

MECHANICAL CONTRACTOR TO PROVIDE AND INSTALL SUNCOAST H.E.S. SYSTEM FOR ALL HOODS. SEE HOOD FAN/EQUIPMENT INTERLOCK WIRING DIAGRAM ON M-501 FOR MORE INFORMATION.

Autodesk Docs://FL\_05183\_Fort Walton Beach\_2022\_3\_FSR/05183\_Fort Walton Beach\_MECH.nt  
 1/17/2023 4:03:05 PM  
 3D-LS-05183-M-201-MECHANICAL FLOOR PLAN

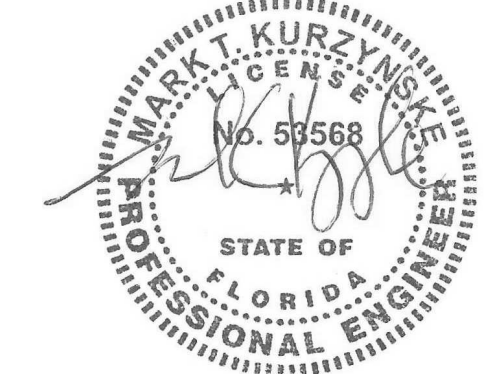


**Chick-fil-A**  
 5200 Buffington Road  
 Atlanta, Georgia  
 30349-2998



**Kurzynske & Associates**  
 2705 Lebanon Pike - Suite One  
 Nashville, Tennessee 37214  
 Telephone: (615) 255-5203

MARK T. KURZYNSKE  
 FLORIDA LICENSE # 53568



01/20/23

**CHICK-FIL-A**  
**FORT WALTON BEACH**  
 122 EGLIN PKWY NE  
 FT WALTON BEACH, FL 32548

**FSR#05183**

BUILDING TYPE / SIZE: P14 LS LRG

RELEASE: 22.08

PRINTED FOR: CONSTRUCTION

REVISION SCHEDULE

NO. DATE DESCRIPTION

SHEET

CONSULTANT PROJECT # 22098.CC.S

DATE 10/17/2022

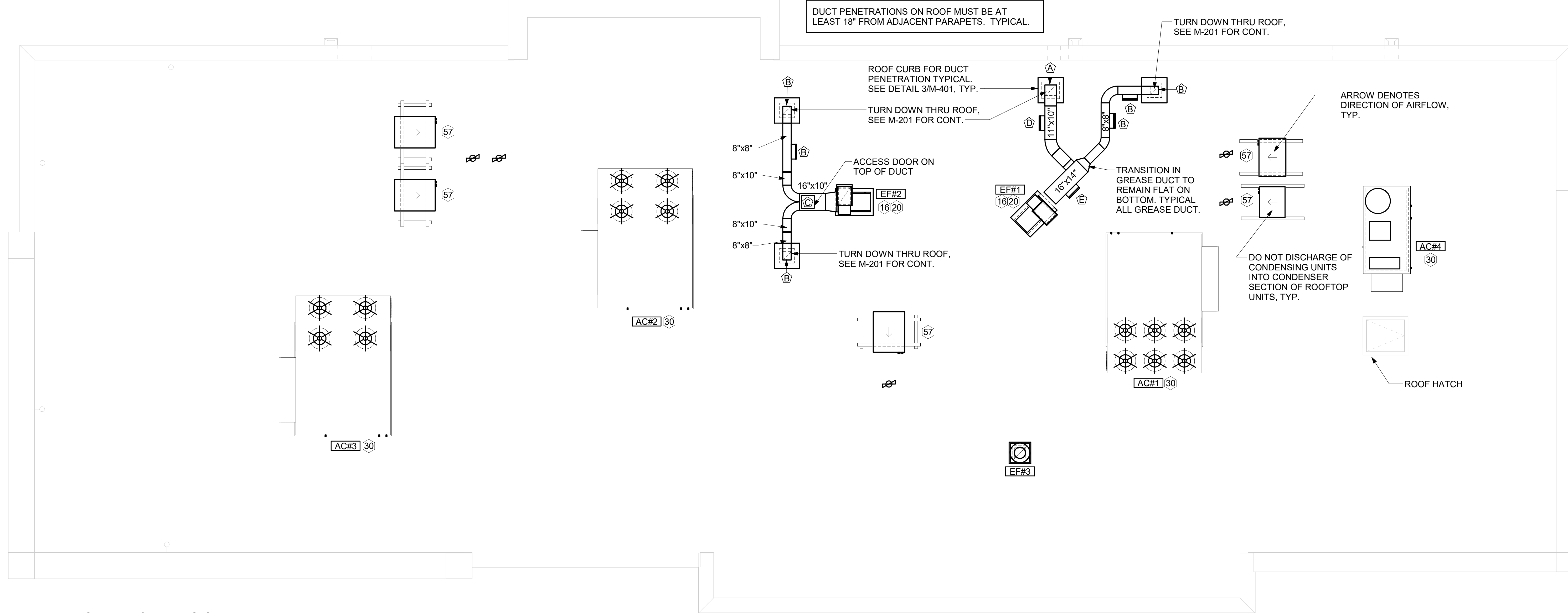
DRAWN BY BLM

Information contained on this drawing and all digital files produced for above named project may not be reproduced in any manner without express written or verbal consent from authorized project representatives.

SHEET MECHANICAL ROOF PLAN

SHEET NUMBER

**M-250**



**1 MECHANICAL ROOF PLAN**  
 1/4" = 1'-0"

**GAS FIRED ROOFTOP UNIT SCHEDULE**

MARK	TOTAL COOLING MBH	SENSIBLE COOLING MBH	HEATING INPUT MBH	HEATING OUTPUT MBH	SUPPLY CFM	OA CFM	HP	ESP (in-wg)	EER	IEER	VOLTAGE	PHASE	MCA	MOCAP	MODEL R-410A	MFGR	REMARKS
AC#1	285.6	193.90	260	210	8,750	1,750	7.5	0.8	10.6	14.5	208 V	3	135 A	150 A	LGT300S4M	LENNOX	1,3,4,5,6,7,8,9,10,11,12,13,14,15
AC#2	181.8	138.50	260	210	5,250	1,150	5	0.8	12	15	208 V	3	76 A	90 A	LGT180H4M	LENNOX	1,3,4,5,6,7,8,9,10,11,12,13,14,15
AC#3	181.8	138.50	260	210	5,250	1,250	5	0.8	12	15	208 V	3	76 A	90 A	LGT180H4M	LENNOX	1,3,4,5,6,7,8,9,10,11,12,13,14,15
AC#4	61.3	48.20	100	80	1,875	500	1	0.8	12.8	17.1	208 V	3	28 A	40 A	LGT060H4E	LENNOX	2,3,4,5,6,7,8,9,10,11,12,13,14,16

NOTES

- CHICK-FIL-A MAINTAINS A NATIONAL ACCOUNT FOR EQUIPMENT WITH LENNOX CORPORATION. CONTACT LENNOX NATIONAL ACCOUNTS AT 800-367-6285 (OR BY FAX AT 972-497-5112) FOR PRICING, ORDERING AND AVAILABILITY.
- MECHANICAL CONTRACTOR TO VERIFY LENNOX SUBMITTAL WITH CONSTRUCTION DOCUMENTS.

REMARKS

- PROVIDE DIFFERENTIAL ENTHALPY ECONOMIZER WITH POWER EXHAUST.
- PROVIDE DIFFERENTIAL ENTHALPY ECONOMIZER WITH BAROMETRIC EXHAUST.
- PROVIDE 14" HIGH ROOF CURB. PROVIDE WITH CURBS PLUS RESTRAINT CLIP KIT FOR PROJECT WIND LOAD.
- SEE DETAIL 2/M-501 FOR SETTING OF CONTROL PARAMETERS BY MC.
- PROVIDE FACTORY INSTALLED SUPPLY AND RETURN AIR SMOKE DETECTORS.
- PROVIDE FACTORY INSTALLED NON-FUSED DISCONNECT.
- PROVIDE 2" MERV 8 THROW AWAY FILTERS.
- PROVIDE HINGED PANELS FOR ACCESS TO FILTER(S), FAN BLOWER & MOTOR, COMPRESSOR(S) ACCESS AND CONTROLS.
- PROVIDE FACTORY INSTALLED COIL HAIL GUARD.
- PROVIDE HOT GAS DEHUMIDIFICATION OPTION WITH WALL MOUNTED HUMIDITY SENSOR.
- FACTORY PROVIDED, FIELD INSTALLED BELT TENSIONER.
- PROVIDE FACTORY CONFIGURED PHASE LOSS PROTECTION.
- PROVIDE FACTORY INSTALLED CONDENSATE PAN DRAIN OVERFLOW SWITCH.
- PROVIDE WITH 100K SCOR RATING.
- PROVIDE FACTORY INSTALLED 115V, 20 AMP GFI SERVICE OUTLET. SEPERATE 115V CIRCUIT PROVIDED BY ELECTRICAL CONTRACTOR.
- PROVIDE FACTORY INSTALLED AND POWERED 115V GFI SERVICE OUTLET.

**SHEET NOTES**

- ALL DUCTWORK AND UNFINISHED METAL ON ROOF EXCEPT STAINLESS SHALL BE PREPARED WITH TWO COATS OF SHERWIN WILLIAMS PRO INDUSTRIAL DTM ACRYLIC COATING, SEMI-GLOSS, WHITE. DEGREASE AND PRIME BARE METAL SURFACE WITH ONE COAT OF SHERWIN WILLIAMS PRO INDUSTRIAL PRO-CRYL ACRYLIC UNIVERSAL PRIMER, WHITE, PRIOR TO PAINTING.
- AT EACH PIECE OF ROOF EQUIPMENT, PROVIDE A PLASTIC ENGRAVED LABEL WITH 1" HIGH WHITE LETTERS ON A BLACK BACKGROUND. THE LABEL IS TO HAVE A SELF ADHESIVE BACKING.
- MAINTAIN 18" CLEARANCE FROM GREASE EXHAUST DUCTWORK ABOVE ROOF TO ANY COMBUSTIBLE CONSTRUCTION INCLUDING PARAPET WALLS.

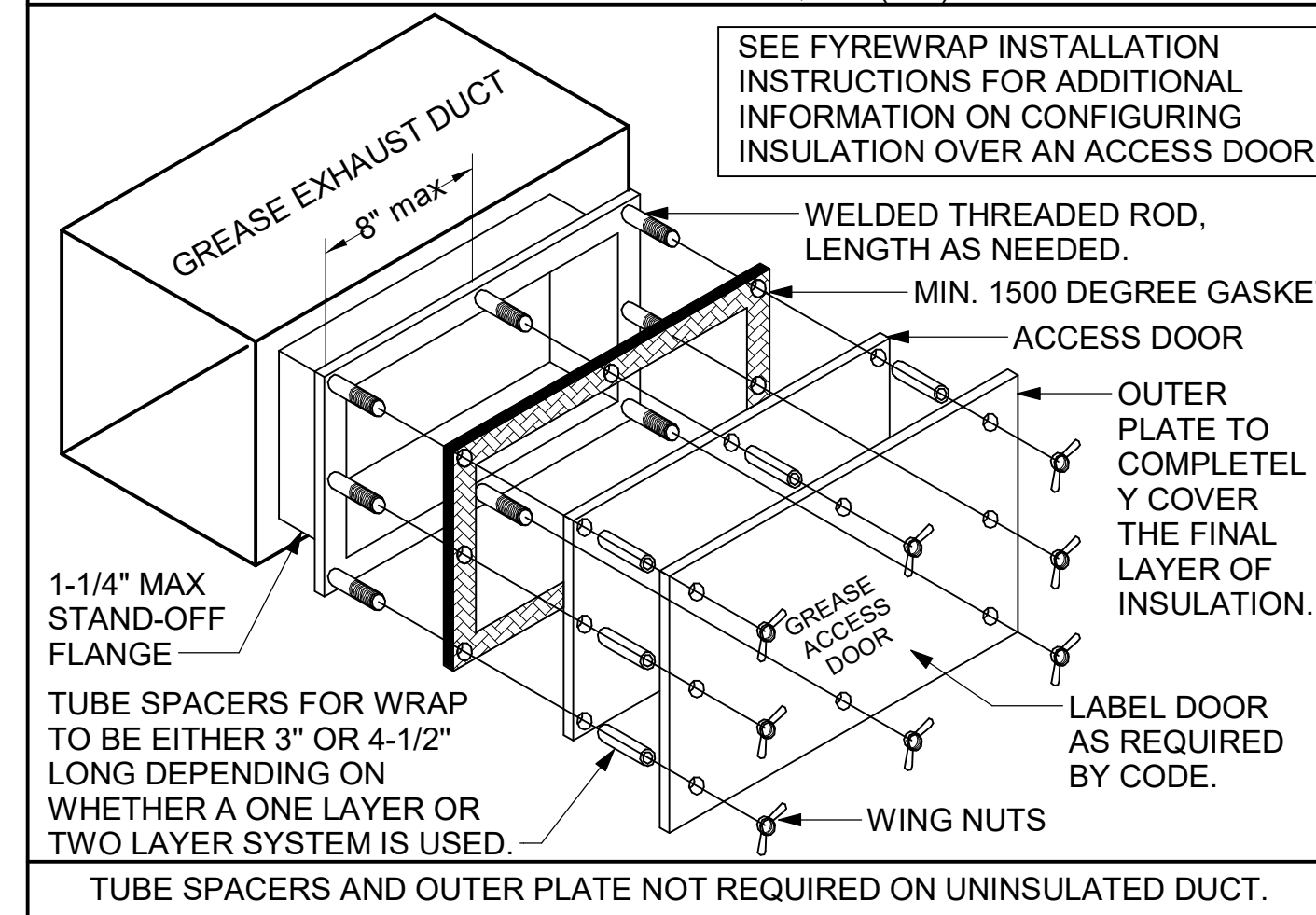
**KEY NOTES**

- FABRICATE DISCHARGE AIR NOZZLE. VERIFY EXHAUST TERMINATION IS A MINIMUM 10'-0" FROM PARAPETS AND OUTSIDE AIR INTAKES. SEE DETAIL 3/M-401.
- GREASE EXHAUST DUCT LOCATED ON ROOF SHALL SLOPE 1/4" PER FOOT TOWARDS THE HOOD, THE FAN, OR A COMBINATION OF THE TWO SUCH THAT NO PORTION OF THE RADIUS ELBOW AT THE CURB IS BELOW THE CURB CAP AND SUCH THAT THE FAN BASE SETS DIRECTLY ON THE CURB RAILS. THE BOTTOM OF THE RADIUS ELBOW MAY BE EVEN OR FLUSH WITH THE CURB CAP, BUT NOT BELOW THE CAP. THE DUCT AT THE FAN MUST BE CENTERED ON THE FAN INLET. THE MC MAY ADD A VERTICAL RISER AT THE RADIUS ELBOW LOCATED AT THE DUCT CURB AS NEEDED IN ORDER TO CENTER THE DUCT ON THE FAN INLET.
- MECHANICAL CONTRACTOR TO SEE ARCHITECTURAL ROOF PLAN FOR NOTES REGARDING LEVELING FRAMES FOR RTUS. COORDINATE WITH GENERAL CONTRACTOR EXACT LOCATIONS AND SIZE NEEDED.
- GC SHALL PROVIDE EQUIPMENT STANDS AS MANUFACTURED BY AVCOA OR EQUAL. STANDS SHALL BE INSTALLED PRIOR TO ROOF INSULATION SO THAT THE INSULATION IS CONTINUOUS UP TO THE PIPE POSTS. POSTS SHALL BE FLASHED IN ACCORDANCE WITH ROOFING MANUFACTURER'S INSTALLATION INSTRUCTIONS. COORDINATE BLOCKING BELOW THE ROOF DECK AS REQUIRED.

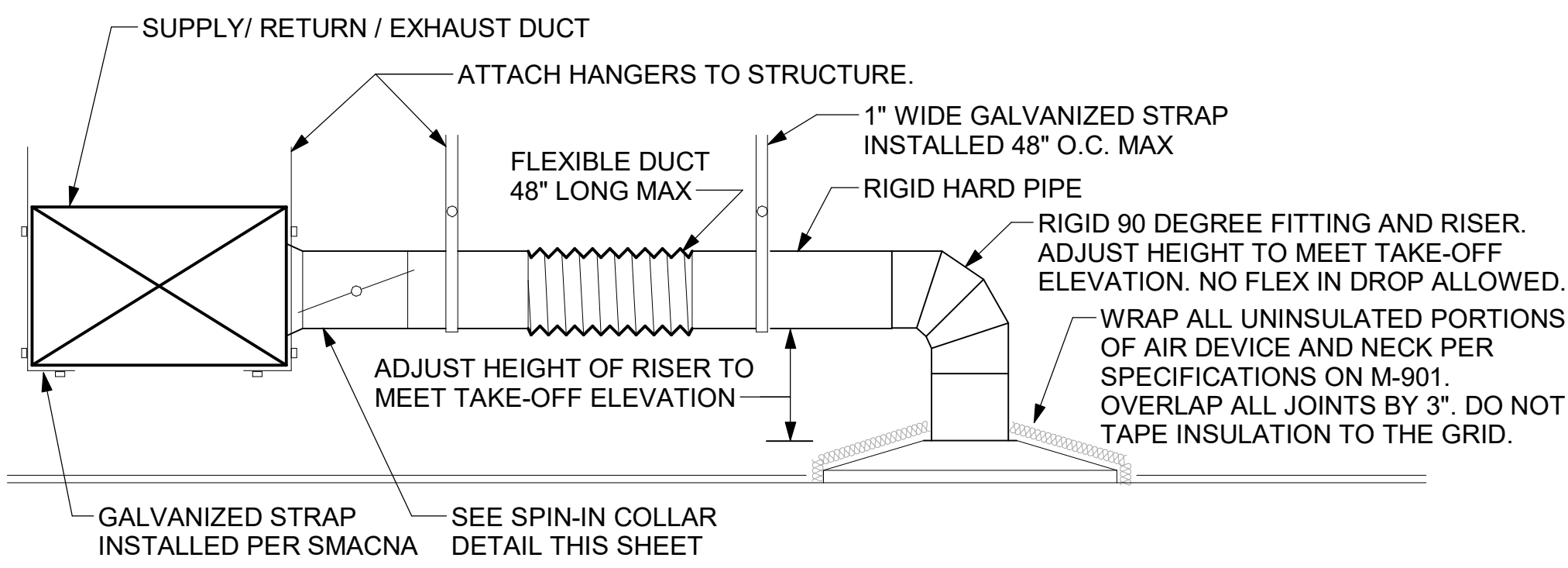
**GREASE ACCESS DOOR SCHEDULE**

MARK	OPENING SIZE	DOOR SIZE	REMARKS
A	9H X 14W	11H X 16W	1
B	6H X 14W	8H X 16W	1
C	12H X 12W	14H X 14W	1
D	8H X 14W	10H X 16W	1
E	12H X 14W	14H X 16W	1

- ACCESS DOORS SHALL BE U.L. 1978 LISTED OR FIELD FABRICATED. REQUIRE NO TOOLS FOR REMOVAL AND MEET THE REQUIREMENTS OF THE CURRENT EDITION OF THE IMC. ACCESS DOOR ASSEMBLY SHALL BE WELDED IN PLACE TO THE GREASE EXHAUST DUCT AND THE ACCESS DOOR SHALL BE SECURED WITH THUMB SCREWS. ACCESS DOORS SHALL BE SEALED WITH A MINIMUM 1500 DEGREE GASKET MATERIAL EQUIVALENT TO THAT MANUFACTURED BY BRENTON INDUSTRIES, INC. (800) 382-2491.

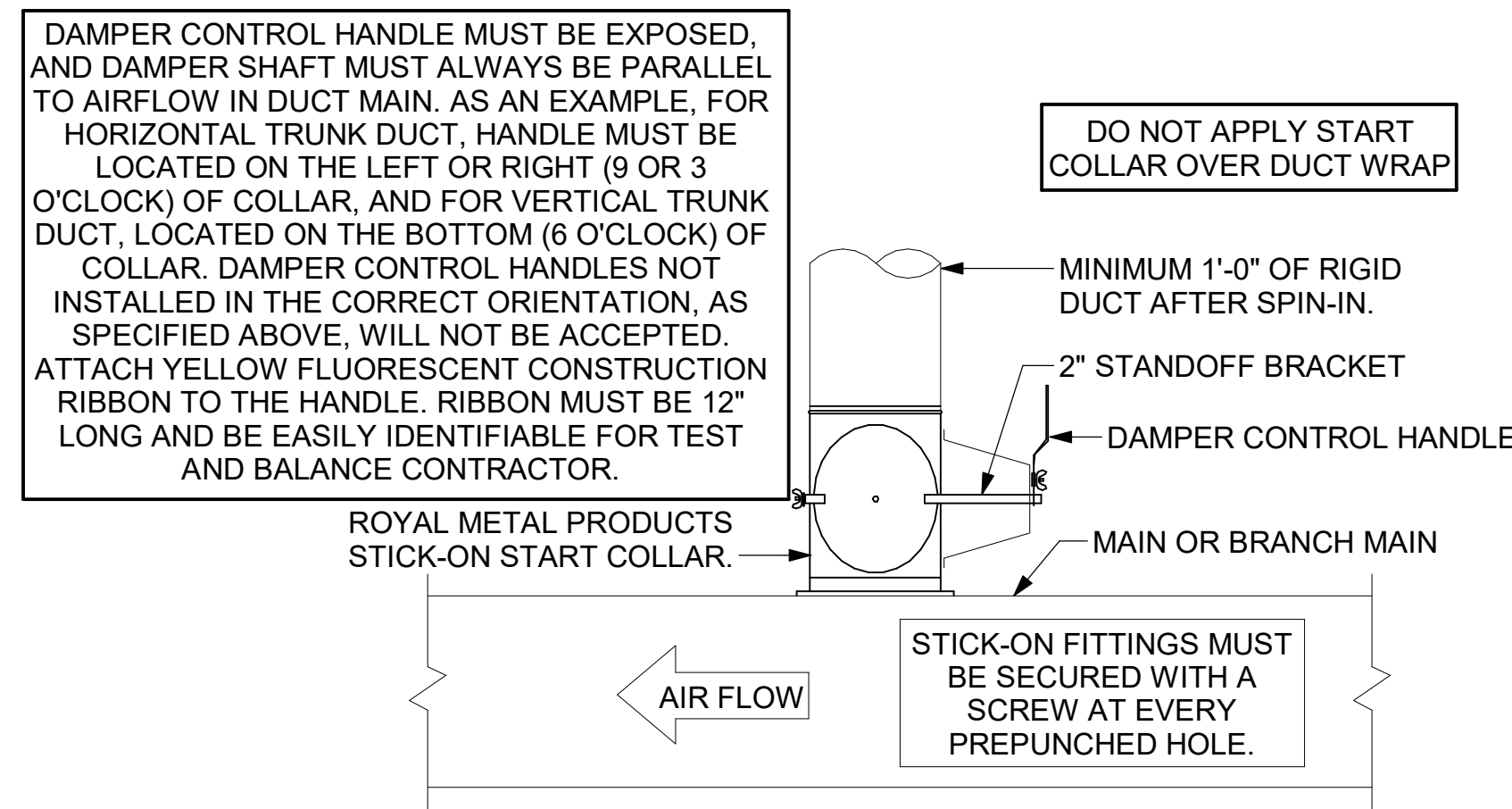


Autodesk Docs://FL\_05183\_Fort Walton Beach\_2022\_3\_FSR/05183\_Fort Walton Beach\_MECH.rvt  
 1/19/2023 5:09:26 PM  
 3D-LS-05183-M-250-MECHANICAL ROOF PLAN



1 SAG/RAG/GRILLE TAKE-OFF - LARGE  
NOT TO SCALE

CHICK-FIL-A HAS A NATIONAL ACCOUNT WITH TOM BARROW COMPANY FOR THE ROYAL METAL PRODUCTS START COLLARS FOR BOTH WITH AND WITHOUT A MANUAL BALANCING DAMPER. THE MECHANICAL CONTRACTOR IS REQUIRED TO PURCHASE THE ROYAL METAL PRODUCTS START COLLARS DIRECTLY FROM TOM BARROW COMPANY. CONTACT MR. SCOTT GEORGE AT 404-351-1010 FOR PRICING AND AVAILABILITY. ROYAL METAL PRODUCTS START COLLARS NOT PURCHASED THRU TOM BARROW COMPANY WILL NOT BE ACCEPTED.



2 START COLLAR - LARGE  
NOT TO SCALE

EXHAUST FAN SCHEDULE - LARGE

MARK	FAN CFM	ESP	RPM	TIP SPEED	HP	AREA SERVED	VOLTAGE	PHASE	MOCOP	Model	MANUFACTURER	REMARKS
EF#1	1,913 CFM	0.75 in-wg	1,331 RPM	5,226 FPM	0.75 hp	HOOD#1	120 V	1	25 A	150 CPS	LOREN COOK	1,2,3,4,5,6,7,8,9,10,11,17
EF#2	1,402 CFM	0.95 in-wg	1,199 RPM	4,708 FPM	0.75 hp	HOOD#2 & HOOD#3	120 V	1	25 A	150 CPS	LOREN COOK	1,2,3,4,5,6,7,8,9,10,11,17
EF#3	375 CFM	0.375 in-wg	1,550 RPM	3,658 FPM	0.125 hp	RESTROOMS	120 V	1	20 A	ACED-90C15DH	LOREN COOK	3,11,12,13,14,15,16

**NOTES**

- GREASE EXHAUST FAN RPM BASED ON 80 DEGREE F AIR AT 1000 FEET ABOVE SEA LEVEL.
- GREASE EXHAUST FANS TO BE U.L. 762 LISTED.
- CHICK-FIL-A HAS A NATIONAL ACCOUNT WITH TOM BARROW COMPANY FOR THE FAN/CURB PACKAGE. THE MECHANICAL CONTRACTOR IS REQUIRED TO PURCHASE THE FAN/CURB PACKAGE DIRECTLY FROM TOM BARROW COMPANY. CONTACT MR. SCOTT GEORGE AT 404-351-1010 FOR PRICING AND AVAILABILITY. FANS AND CURBS NOT PURCHASED THRU TOM BARROW COMPANY WILL NOT BE ACCEPTED.

**REMARKS**

- UPBLAST, ARRANGEMENT 10, CCW ROTATION. SEE PLANS TO CONFIRM CONFIGURATION.
- PROVIDE FACTORY ALUMINUM FAN WHEEL.
- PROVIDE FACTORY INSTALLED PREWIRED NON-FUSED DISCONNECT.
- PROVIDE FACTORY STEEL INLET FLANGE AND INLET COMPANION FLANGE.
- PROVIDE AND INSTALL ROOFTOP SOLUTIONS G2 DRIP GUARD. MECHANICAL CONTRACTOR TO CONTACT ROOFTOP SOLUTIONS AT 800-913-7034.
- PROVIDE FACTORY WEATHER HOUSING W/ HINGED ACCESS DOOR.
- PROVIDE FACTORY DRAIN CONNECTION.
- PROVIDE FACTORY BOLTED ACCESS DOOR ON SCROLL.
- PROVIDE FACTORY INSTALLED BELT DRIVE WITH ADJUSTABLE MOTOR SHEAVE AND SPARE BELT..
- PROVIDE FACTORY STEEL OUTLET COMPANION FLANGE.
- INTEGRAL THERMAL OVERLOAD WITH AUTOMATIC RESET.
- PROVIDE BIRDSCREEN.
- BACKDRAFT DAMPER IN DUCT BY MECHANICAL CONTRACTOR AS SHOWN ON 4/M401.
- STARTER BY ELECTRICAL CONTRACTOR. INTERLOCK WITH LIGHTS BY ELECTRICAL CONTRACTOR.
- PROVIDE 12" HIGH CURB.
- PROVIDE FACTORY INSTALLED AND WIRED SPEED CONTROLLER.
- UTILITY SET FAN CURB (MFG FOR PROJECT WIND LOAD) AND ASSOCIATED EXHAUST DUCT CURB PROVIDED BY TOM BARROW COMPANY.

AIR DOOR SCHEDULE - LARGE

MARK	CFM	VELOCITY	HEATING CAP	HP	AREA SERVED	MODEL	MANUFACTURER	REMARKS
AD#1	1,765 CFM	2,670 FPM	10 kW	3/4 HP	DRIVE THRU	CHA-1-48E	Powered Aire	1,2,3,5
AD#2	3,867 CFM	4,218 FPM	N/A	3/4 HP	REAR DOOR	RBT-1-48	Powered Aire	4
AD#3	1,268 CFM	2,757 FPM	N/A	3/4 HP	DRIVE-THRU	CHA-1-36	Powered Aire	1,2,4

**NOTES**

- CHICK-FIL-A HAS A NATIONAL ACCOUNT WITH TOM BARROW COMPANY FOR THE AIR DOORS. THE MECHANICAL CONTRACTOR SHALL PURCHASE THE AIR DOORS DIRECTLY FROM TOM BARROW COMPANY. CONTACT MR. SCOTT GEORGE AT 404-351-1010, FOR PRICING AND AVAILABILITY. AIR DOORS NOT PURCHASED THRU TOM BARROW COMPANY WILL NOT BE ACCEPTED.

**REMARKS**

- FACTORY PROVIDED, WIRED, AND UNIT MOUNTED SPEED CONTROLLER LOCATED ABOVE CEILING
- FACTORY WIRED DISCONNECT.
- FACTORY PROVIDED, FIELD INSTALLED BY MC, REMOTE WALL SWITCHES FOR HEATING ON/OFF AND FAN ON/AUTO SWITCH. SEE DETAIL, AIR CURTAIN WIRING DIAGRAM.
- FACTORY PROVIDED MAGNETIC DOOR CONTACT WITH FACTORY INSTALLED LOW VOLTAGE CONTROLS LOCATED IN AIR DOOR CABINET.
- PROVIDE WITH A DIVERTER BOX. PROVIDE WITH MOUNTING BRACKETS PER MANUFACTURER'S RECOMMENDATIONS.

AIR DEVICE SCHEDULE - LARGE

MARK	DESCRIPTION	LOCATION	NECK SIZE	FACE SIZE	FRAME TYPE	REMARKS
A	PRICE MODEL APDC ALUMINUM SUPPLY AIR DIFFUSER WITH INDIVIDUALLY ADJUSTABLE CURVED AIR PATTERN CONTROLLERS.	DINING/ KITCHEN	VARIES	24"x24"	LAY-IN	1,7
B	VARITHERM PLAQUE DIFFUSER	OFFICE	12"	24"x24"	LAY-IN	1,7,8
C	PRICE MODEL SMCD STEEL SUPPLY AIR DIFFUSER FIELD ADJUSTABLE AIR PATTERN CONTROLLERS.	ENTRY	14"x14"	16"x16"	BEVELLED	1,3,5,6
D	PRICE MODEL APDC ALUMINUM SUPPLY AIR DIFFUSER WITH INDIVIDUALLY ADJUSTABLE CURVED AIR PATTERN CONTROLLERS.	DINING	VARIES	16"x16"	SURFACE	1,3,5,6
F	PRICE MODEL 80 EGGCRATE RETURN AIR GRILLE WITH REMOVABLE WHITE CORE, FACTORY FLAT BLACK BACKPAN AND ROUND NECK.	DINING/ OFFICE/ KITCHEN	VARIES	24"x24"	LAY-IN	1,7
J	PRICE MODEL SMCD STEEL SUPPLY AIR DIFFUSER FIELD ADJUSTABLE AIR PATTERN CONTROLLERS.	RESTROOMS	14"x14"	16"x16"	BEVELLED	1,3,5,6
K	PRICE MODEL APDDR ALUMINUM PERFORATED FACE RETURN AIR GRILLE.	RESTROOMS/ ENTRY	14"x14"	16"x16"	SURFACE	1,4,5,6

**NOTES**

- CHICK-FIL-A HAS A NATIONAL ACCOUNT WITH TOM BARROW COMPANY FOR THE AIR DEVICES. THE MECHANICAL CONTRACTOR SHALL PURCHASE THE AIR DEVICES DIRECTLY FROM TOM BARROW COMPANY. CONTACT MR. SCOTT GEORGE AT 404-351-1010, FOR PRICING AND AVAILABILITY. AIR DEVICES NOT PURCHASED THRU TOM BARROW COMPANY WILL NOT BE ACCEPTED.

**REMARKS**

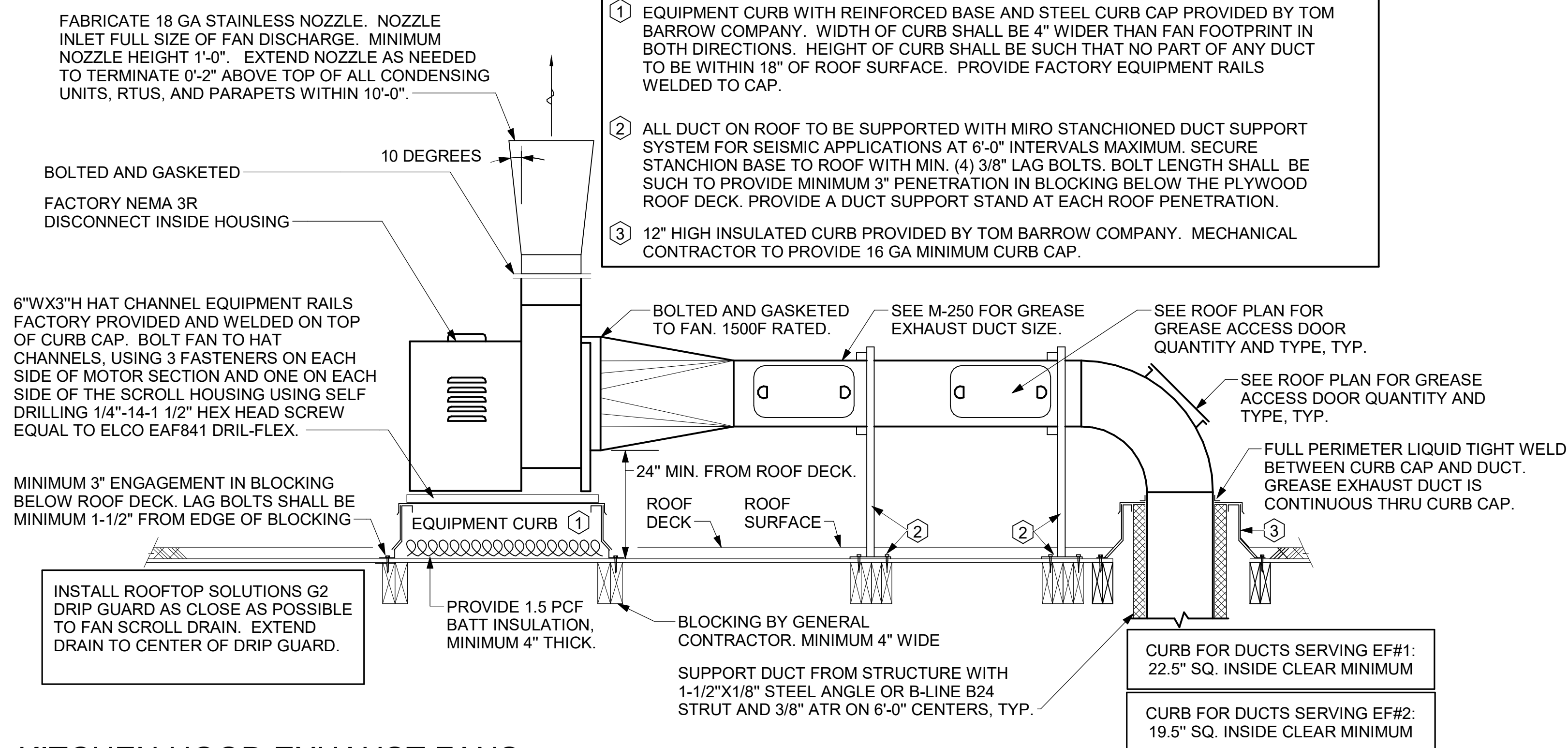
- STANDARD OFF WHITE FINISH.
- PROVIDE MODEL VCS3 NECK DAMPER.
- SEE DRAWING M-201 FOR THROW.
- PROVIDE MODEL VCR7 NECK DAMPER ON GRILLES IN RESTROOMS SERVING EXHAUST FAN.
- PROVIDE BACKPAN. MC TO SEAL JOINTS WITH MASTIC AND INSULATE EXTERNALLY.
- FIELD INSULATE BACKPAN AS SHOWN ON DETAIL 1/M-401.
- FACTORY INSULATED R-6 BACKPAN.
- PROVIDE RELIEF COLLAR ACCESSORY FOR VAV DIFFUSER.

**IMPORTANT:**  
STRUCTURAL CALCULATIONS FOR EQUIPMENT CURB TO BE PROVIDED BY CURB MANUFACTURER. PROVIDE ANY ADDITIONAL REQUIRED BRACING/SUPPORT/ATTACHMENT AS INDICATED IN MFR'S SUBMITTAL.

ALL DUCTWORK AND UNFINISHED METAL ON ROOF EXCEPT STAINLESS SHALL BE PREPARED WITH TWO COATS OF SHERWIN WILLIAMS B66-200 SERIES DTM WHITE ACRYLIC SEMI-GLOSS INDUSTRIAL MAINTENANCE COATING. DEGREASE AND PRIME BARE METAL SURFACE WITH ONE COAT OF SHERWIN WILLIAMS DTM ACRYLIC PRIMER PRIOR TO PAINTING.

**KEYED NOTES:**

- EQUIPMENT CURB WITH REINFORCED BASE AND STEEL CURB CAP PROVIDED BY TOM BARROW COMPANY. WIDTH OF CURB SHALL BE 4" WIDER THAN FAN FOOTPRINT IN BOTH DIRECTIONS. HEIGHT OF CURB SHALL BE SUCH THAT NO PART OF ANY DUCT TO BE WITHIN 18" OF ROOF SURFACE. PROVIDE FACTORY EQUIPMENT RAILS WELDED TO CAP.
- ALL DUCT ON ROOF TO BE SUPPORTED WITH MIRO STANCHIONED DUCT SUPPORT SYSTEM FOR SEISMIC APPLICATIONS AT 6'-0" INTERVALS MAXIMUM. SECURE STANCHION BASE TO ROOF WITH MIN. (4) 3/8" LAG BOLTS. BOLT LENGTH SHALL BE SUCH TO PROVIDE MINIMUM 3" PENETRATION IN BLOCKING BELOW THE PLYWOOD ROOF DECK. PROVIDE A DUCT SUPPORT STAND AT EACH ROOF PENETRATION.
- 12" HIGH INSULATED CURB PROVIDED BY TOM BARROW COMPANY. MECHANICAL CONTRACTOR TO PROVIDE 16 GA MINIMUM CURB CAP.



3 KITCHEN HOOD EXHAUST FANS  
NOT TO SCALE

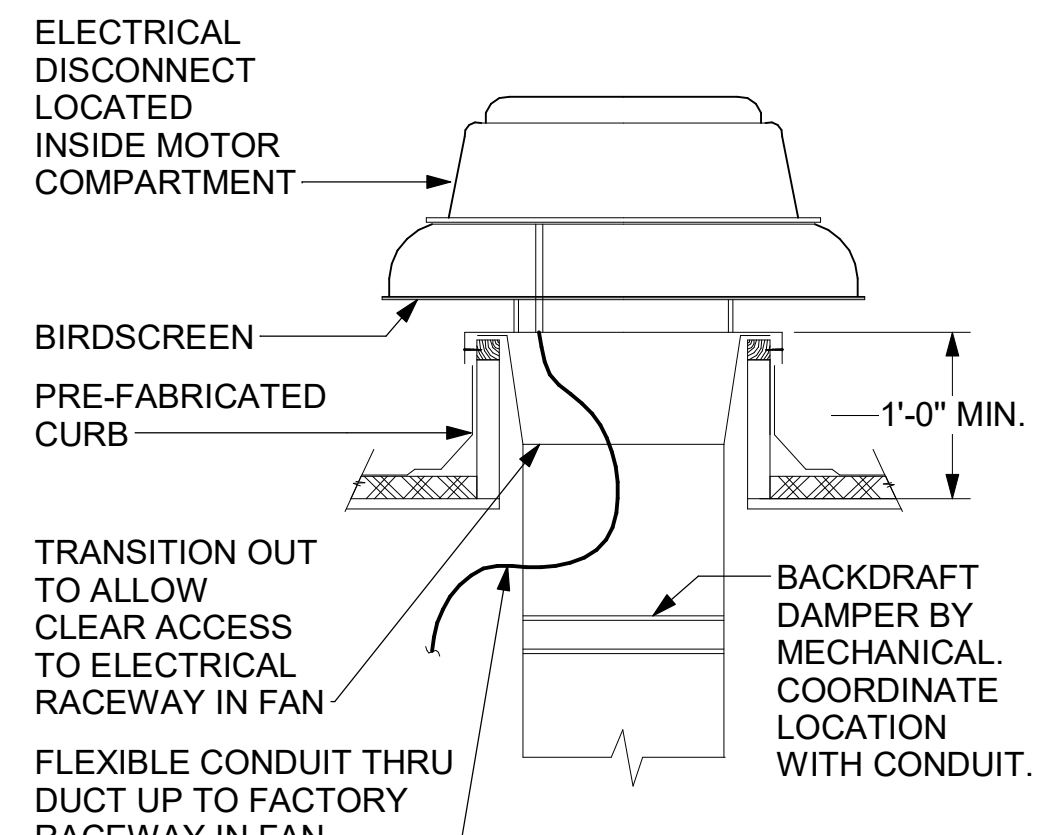
SECURE FAN TO CURB WITH HEX WASHER HEAD SELF-DRILLING SCREW (#12 x 2"). THE FASTENERS SHALL BE 2" FROM EACH CORNER OF THE FAN BASE AND THE DISTANCE BETWEEN FASTENERS SHALL BE 4" OR LESS. MINIMUM 5 FASTENERS PER SIDE OF CURB. ALL FASTENERS ARE TO BE HIGH QUALITY CORROSION RESISTANT STEEL OR STAINLESS STEEL.

SECURE CURB TO WOOD ROOF STRUCTURE WITH STEEL LAG BOLTS NOMINAL SIZE OF 5/16" DIA. OR LARGER. WOOD IS TO BE 4" NOMINAL SIZE OR GREATER. THE BOLT SHALL HAVE A MINIMUM OF 3" THREAD ENGAGEMENT AND SHALL BE AT LEAST 1-1/2" FROM MATERIAL EDGE. MINIMUM 5 FASTENERS EACH SIDE OF CURB.

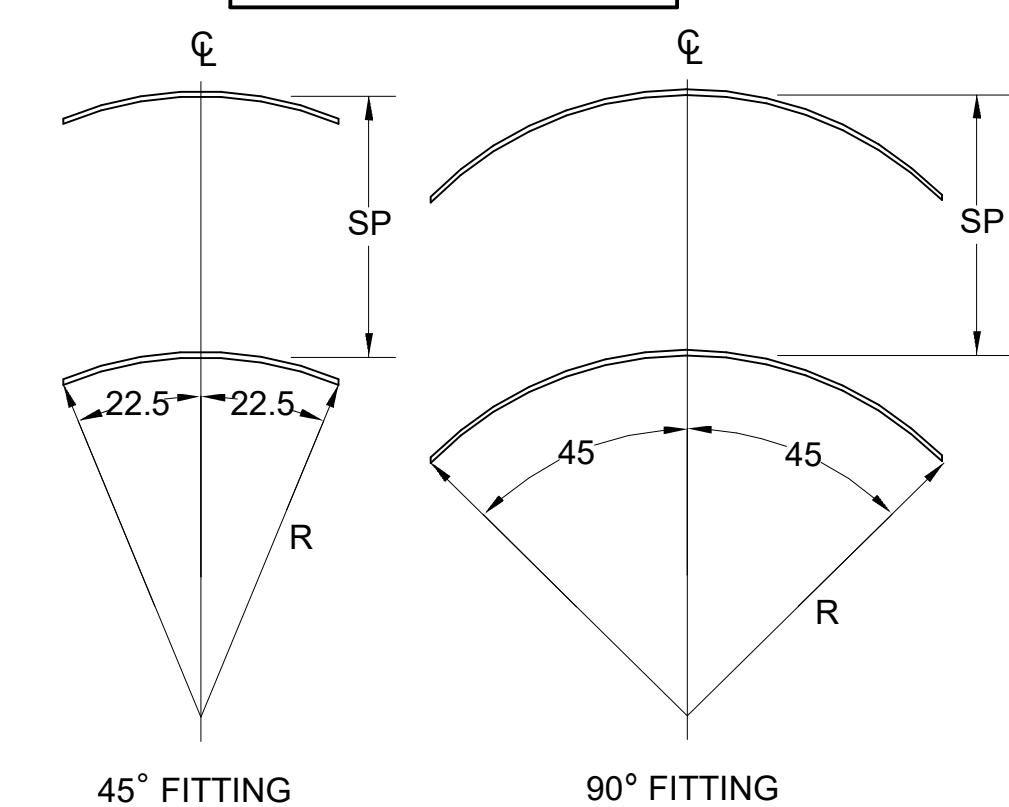
TURNING VANE SCHEDULE

R	SP	GA
2"	1.5"	24

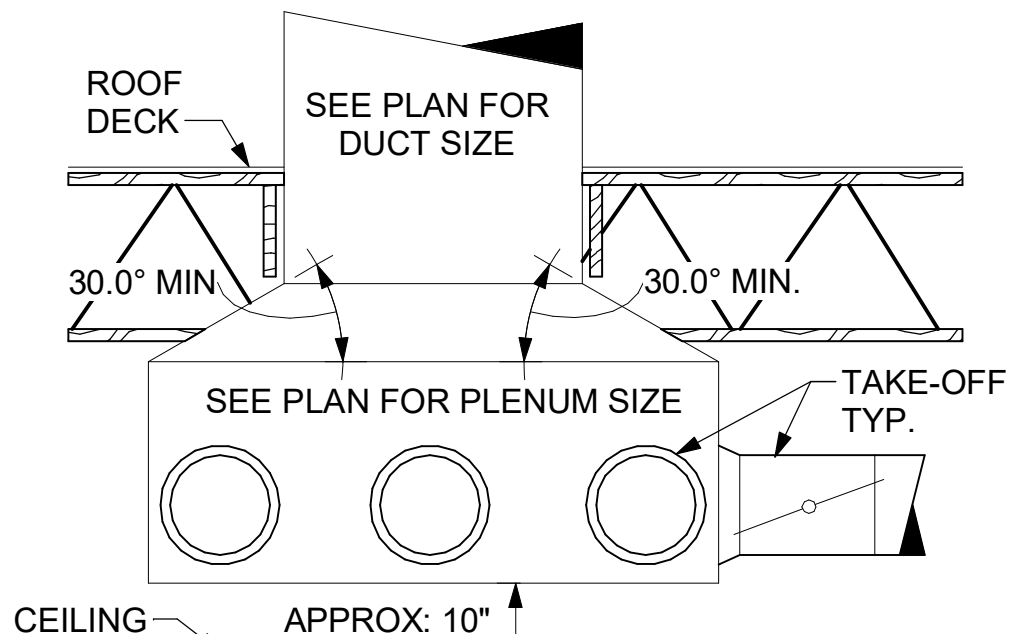
- NO TRAILING EDGE.
- SINGLE THICKNESS CONSTRUCTION.



4 RESTROOM EXHAUST FAN  
NOT TO SCALE



5 TURNING VANES  
NOT TO SCALE



6 RETURN DROP GEOMETRY  
NOT TO SCALE



**Chick-fil-A**  
5200 Buffington Road  
Atlanta, Georgia  
30349-2998



**Kurzynske & Associates**  
2705 Lebanon Pike - Suite One  
Nashville, Tennessee 37214  
Telephone: (615) 255-5203

MARK T. KURZYNSKE  
FLORIDA LICENSE # 53568



01/20/23

**CHICK-FIL-A**  
**FORT WALTON BEACH**  
122 EGLIN PKWY NE  
FT WALTON BEACH, FL 32548

**FSR#05183**

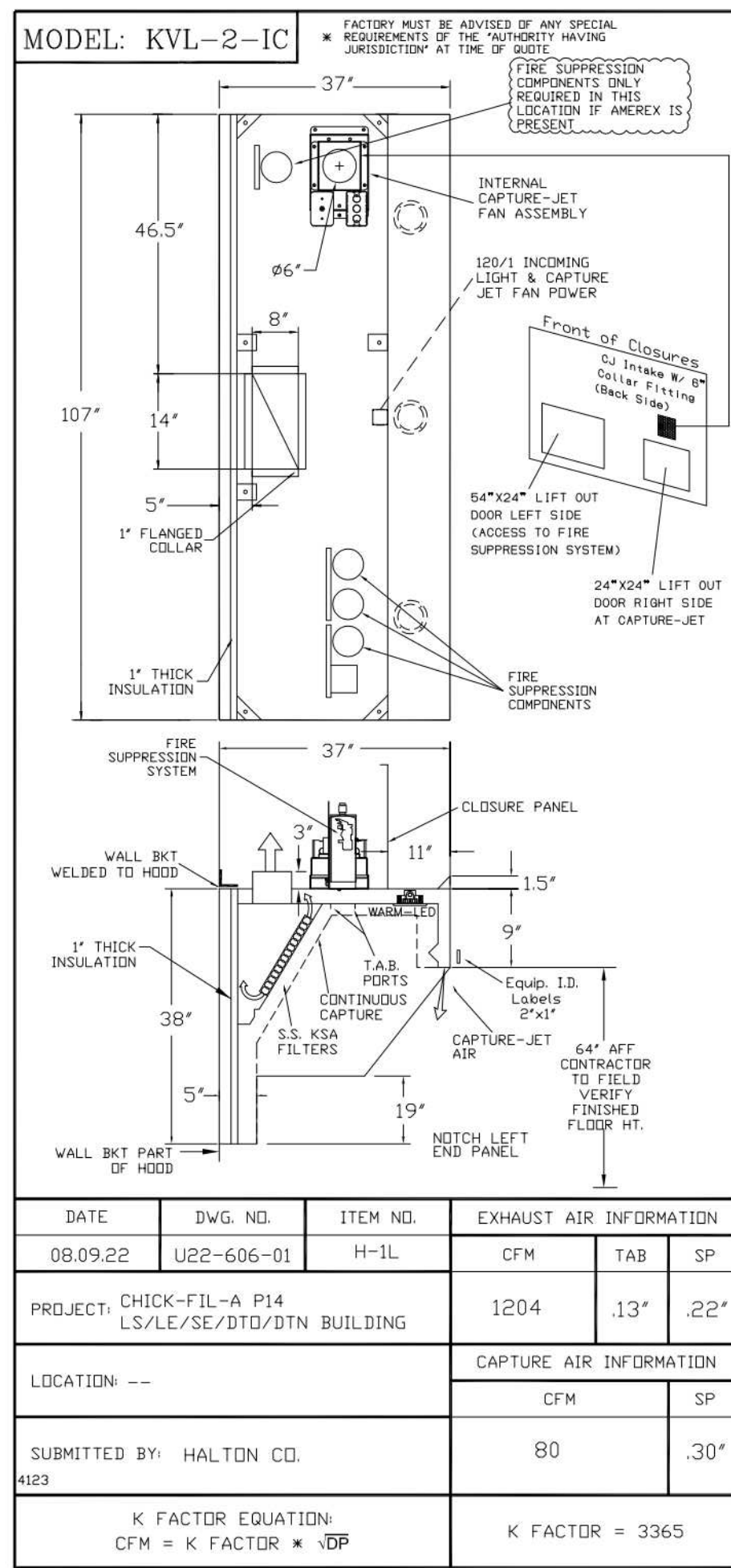
BUILDING TYPE / SIZE: P14 LS LRJ  
RELEASE: 22.08  
PRINTED FOR CONSTRUCTION  
REVISION SCHEDULE  
NO. DATE DESCRIPTION  
2 01/20/23 IFC Set

CONSULTANT PROJECT # 22098.CC.S  
DATE 10/17/2022  
DRAWN BY BLM

Information contained on this drawing and in all digital files produced for above named project may not be reproduced in any manner without express written or verbal consent from authorized project representatives.  
SHEET HVAC DETAILS AND SCHEDULES  
SHEET NUMBER

**M-401**

Autodesk Docs://FL\_05183\_Fort Walton Beach\_2022\_3\_FSR/05183\_Fort Walton Beach\_MEC.rvt  
1/17/2023 4:03:06 PM  
3D-LS-05183-M-401-HVAC DETAILS AND SCHEDULES



STANDARD FEATURES	
S.S. FILTERS (KSA)	5
1/2 S.S. FILTERS (KSA)	1
CAPTURE-JET	*
STAND-OFF	*
LED LIGHTS	3

OPTIONS	
REMOTE SWITCH PANEL	*
FIRE PROTECTION	*
ETL LISTED W/D EXHAUST DAMPER	*
CEILING CLOSURE	2
STD. BACKSPLASH	*
INSULATED BACKSPLASH	*
KBD DAMPER	*

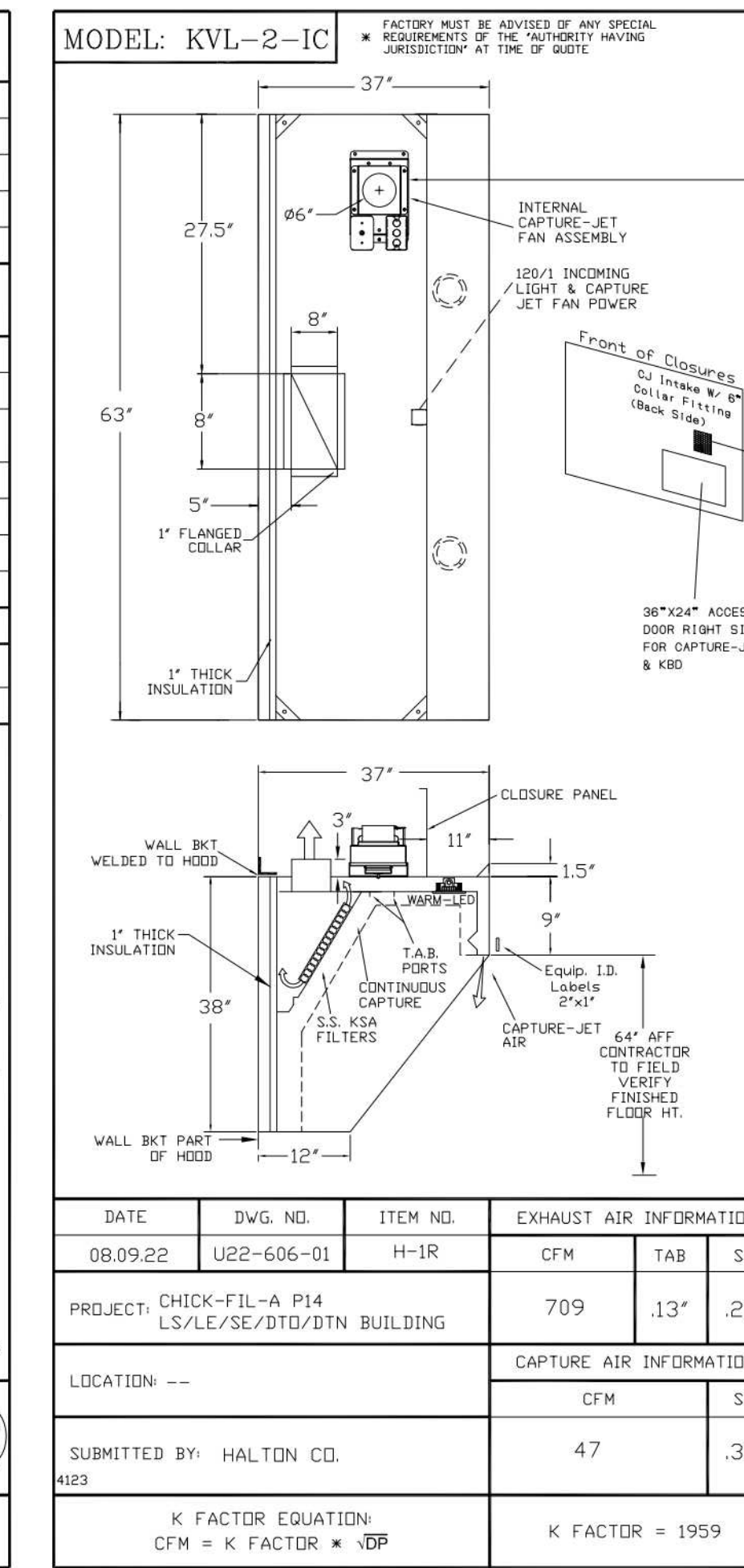
MATERIAL	
EXPOSED SURFACES	18 GA. S.S.
ALL 18 GA. S.S.	*

COMMENTS	
CLOSURE HEIGHT = 91" (TWO SIDES)	
CEILING HEIGHT = 122" (THREE SIDES)	
CEILING CLOSURE RECESSED 11" FROM FRONT TO CREATE SHELF	
FRONT CLOSURE PANEL WITH 64"x24" LIFT OUT DOOR LEFT SIDE (ACCESS TO FIRE SUPPRESSION SYSTEM)	
24"x24" LIFT OUT DOOR RIGHT SIDE AT CAPTURE-JET	
64" AFF. CONTRACTOR TO FIELD VERIFY FINISHED FLOOR HT.	
CONTINUOUS CAPTURE INTERNAL RIGHT END OUTLET	
3" REAR STAND-OFF TO HAVE 1" THICK INSULATION	
NOTCHED LEFT END PANEL	

EQUIPMENT COVERED (2) FRYERS			
DATE	DWG. NO.	ITEM NO.	EXHAUST AIR INFORMATION
08.09.22	U22-606-01	H-1L	CFM TAB SP
PROJECT: CHICK-FIL-A P14	LS/LE/SE/DTN BUILDING	1204	.13' .22'
LOCATION: --	CAPTURE AIR INFORMATION	CFM	SP
SUBMITTED BY: HALTON CO.	80	.30'	



STANDARD FEATURES	
S.S. FILTERS (KSA)	3
1/2 S.S. FILTERS (KSA)	1
CAPTURE-JET	*
STAND-OFF	*
LED LIGHTS	2

OPTIONS	
REMOTE SWITCH PANEL	*
FIRE PROTECTION	*
ETL LISTED W/D EXHAUST DAMPER	*
CEILING CLOSURE	2
STD. BACKSPLASH	*
INSULATED BACKSPLASH	*
KBD DAMPER	*

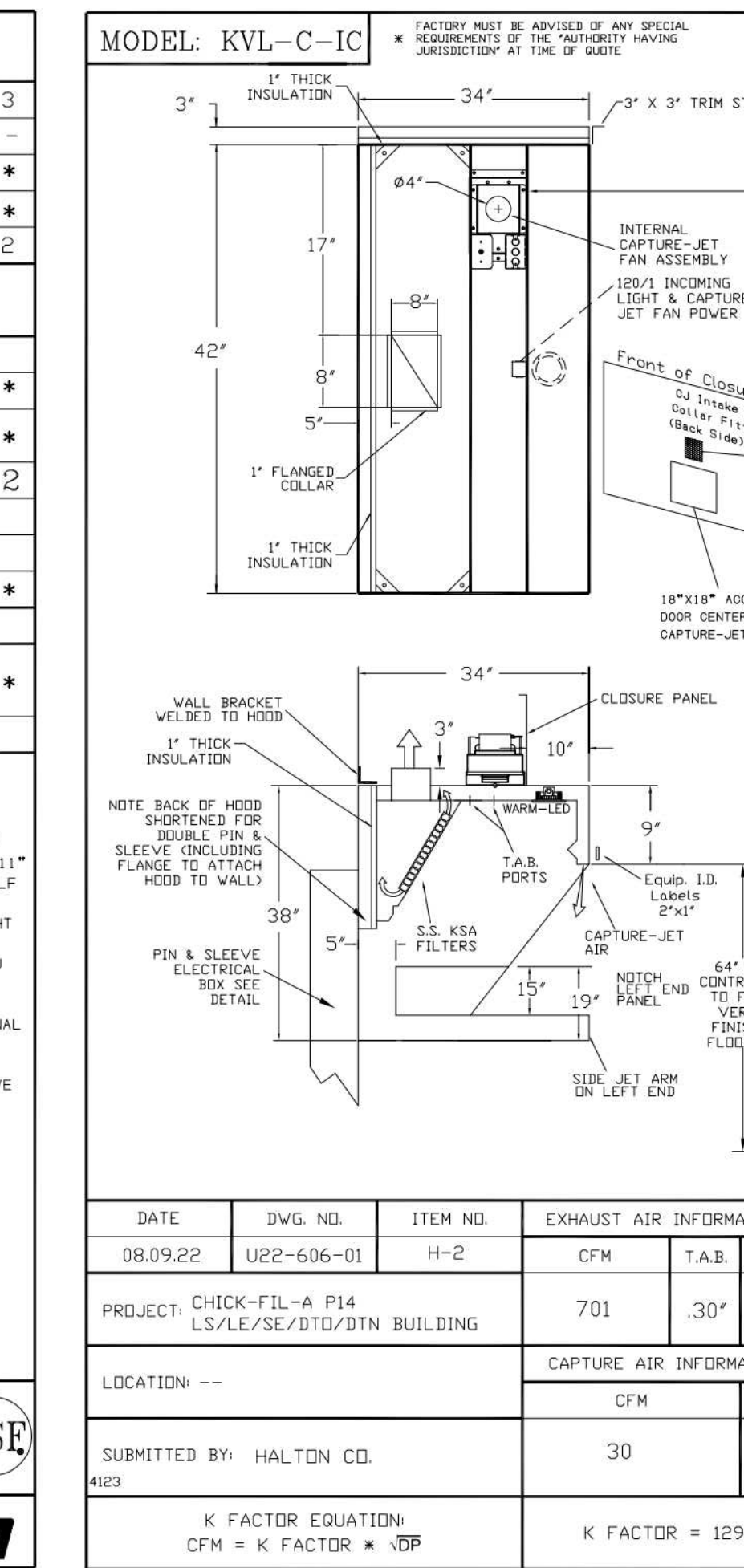
MATERIAL	
EXPOSED SURFACES	18 GA. S.S.
ALL 18 GA. S.S.	*

COMMENTS	
CLOSURE HEIGHT = 51" (TWO SIDES)	
CEILING HEIGHT = 122" (THREE SIDES)	
CEILING CLOSURE RECESSED 11" FROM FRONT TO CREATE SHELF	
FRONT CLOSURE PANEL WITH 64"x24" LIFT OUT DOOR LEFT SIDE (ACCESS TO FIRE SUPPRESSION SYSTEM)	
24"x24" LIFT OUT DOOR RIGHT SIDE AT CAPTURE-JET	
64" AFF. CONTRACTOR TO FIELD VERIFY FINISHED FLOOR HT.	
CONTINUOUS CAPTURE INTERNAL LEFT END OUTLET	
3" REAR STAND-OFF TO HAVE 1" THICK INSULATION	
EQUIPMENT COVERED (3) FRYERS	

EQUIPMENT COVERED (3) FRYERS			
DATE	DWG. NO.	ITEM NO.	EXHAUST AIR INFORMATION
08.09.22	U22-606-01	H-1R	CFM TAB SP
PROJECT: CHICK-FIL-A P14	LS/LE/SE/DTN BUILDING	709	.13' .23'
LOCATION: --	CAPTURE AIR INFORMATION	CFM	SP
SUBMITTED BY: HALTON CO.	47	.29'	



STANDARD FEATURES	
S.S. FILTERS (KSA)	2
CAPTURE-JET	*
STAND-OFF	*
LED LIGHTS	1

OPTIONS	
REMOTE SWITCH PANEL	*
FIRE PROTECTION	*
ETL LISTED W/D EXHAUST DAMPER	*
CEILING CLOSURE	2
STD. BACKSPLASH	*
INSULATED BACKSPLASH	*
KBD DAMPER	*

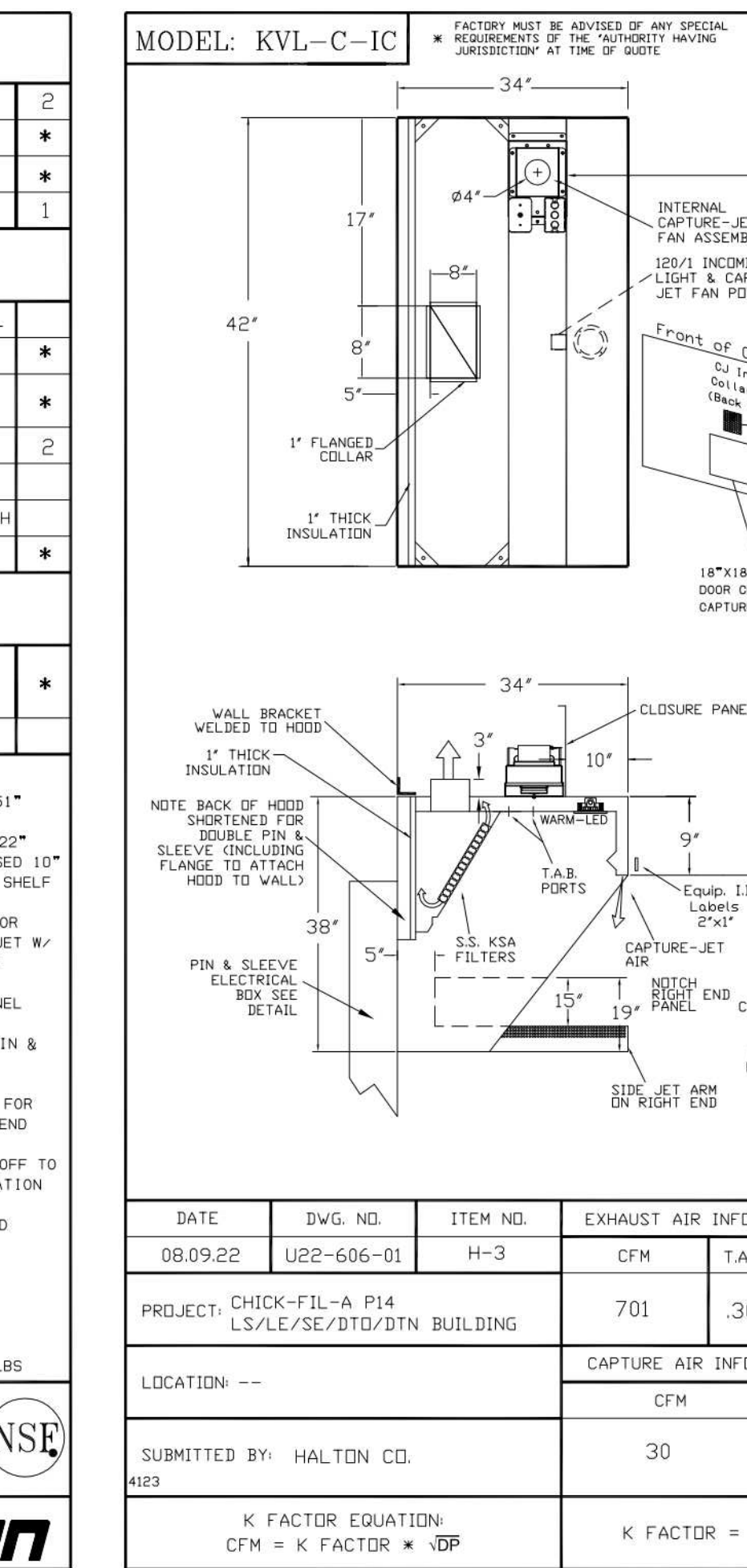
MATERIAL	
EXPOSED SURFACES	18 GA. S.S.
ALL 18 GA. S.S.	*

COMMENTS	
CLOSURE HEIGHT = 51" (TWO SIDES)	
CEILING HEIGHT = 122" (THREE SIDES)	
CEILING CLOSURE RECESSED 10" FROM FRONT TO CREATE SHELF	
FRONT CLOSURE PANEL WITH 64"x24" LIFT OUT DOOR LEFT SIDE (ACCESS TO FIRE SUPPRESSION SYSTEM)	
24"x24" LIFT OUT DOOR RIGHT SIDE AT CAPTURE-JET	
64" AFF. CONTRACTOR TO FIELD VERIFY FINISHED FLOOR HT.	
NOTCH LEFT END PANEL	
DOUBLE RECEPTACLE PIN & SLEEVE	
3" X 3" TRIM STRIP FOR STAND-OFF ON RIGHT END	
3" SIDE & REAR STAND-OFF TO HAVE 1" THICK INSULATION	
EQUIPMENT COVERED (2) FRYERS	

EQUIPMENT COVERED (2) FRYERS			
DATE	DWG. NO.	ITEM NO.	EXHAUST AIR INFORMATION
08.09.22	U22-606-01	H-2	CFM TAB SP
PROJECT: CHICK-FIL-A P14	LS/LE/SE/DTN BUILDING	701	.30' .39'
LOCATION: --	CAPTURE AIR INFORMATION	CFM	SP
SUBMITTED BY: HALTON CO.	30	.29'	



STANDARD FEATURES	
S.S. FILTERS (KSA)	2
CAPTURE-JET	*
STAND-OFF	*
LED LIGHTS	1

OPTIONS	
REMOTE SWITCH PANEL	*
FIRE PROTECTION	*
ETL LISTED W/D EXHAUST DAMPER	*
CEILING CLOSURE	3
STD. BACKSPLASH	*
INSULATED BACKSPLASH	*
KBD DAMPER	*

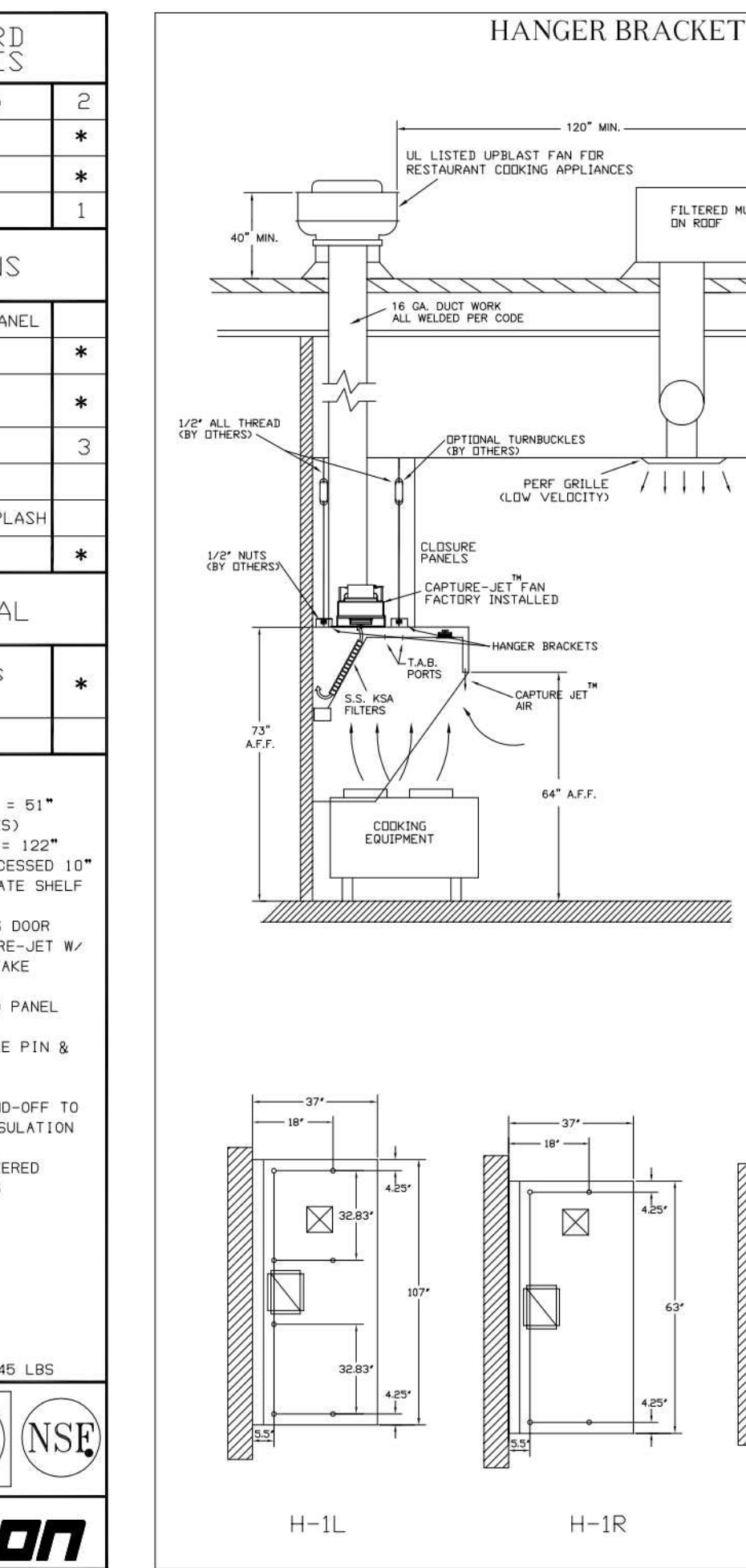
MATERIAL	
EXPOSED SURFACES	18 GA. S.S.
ALL 18 GA. S.S.	*

COMMENTS	
CLOSURE HEIGHT = 51" (TWO SIDES)	
CEILING HEIGHT = 122" (THREE SIDES)	
CEILING CLOSURE RECESSED 10" FROM FRONT TO CREATE SHELF	
FRONT CLOSURE PANEL WITH 64"x24" LIFT OUT DOOR LEFT SIDE (ACCESS TO FIRE SUPPRESSION SYSTEM)	
24"x24" LIFT OUT DOOR RIGHT SIDE AT CAPTURE-JET	
64" AFF. CONTRACTOR TO FIELD VERIFY FINISHED FLOOR HT.	
NOTCH RIGHT END PANEL	
DOUBLE RECEPTACLE PIN & SLEEVE	
3" REAR SIDE STAND-OFF TO HAVE 1" THICK INSULATION	
EQUIPMENT COVERED (2) FRYERS	

EQUIPMENT COVERED (2) FRYERS			
DATE	DWG. NO.	ITEM NO.	EXHAUST AIR INFORMATION
08.09.22	U22-606-01	H-3	CFM TAB SP
PROJECT: CHICK-FIL-A P14	LS/LE/SE/DTN BUILDING	701	.30' .39'
LOCATION: --	CAPTURE AIR INFORMATION	CFM	SP
SUBMITTED BY: HALTON CO.	30	.29'	



EQUIPMENT COVERED (2) FRYERS			
DATE	DWG. NO.	ITEM NO.	EXHAUST AIR INFORMATION
08.09.22	U22-606-01	H-1L	CFM TAB SP
PROJECT: CHICK-FIL-A P14	LS/LE/SE/DTN BUILDING	1204	.13' .22'
LOCATION: --	CAPTURE AIR INFORMATION	CFM	SP
SUBMITTED BY: HALTON CO.	80	.30'	

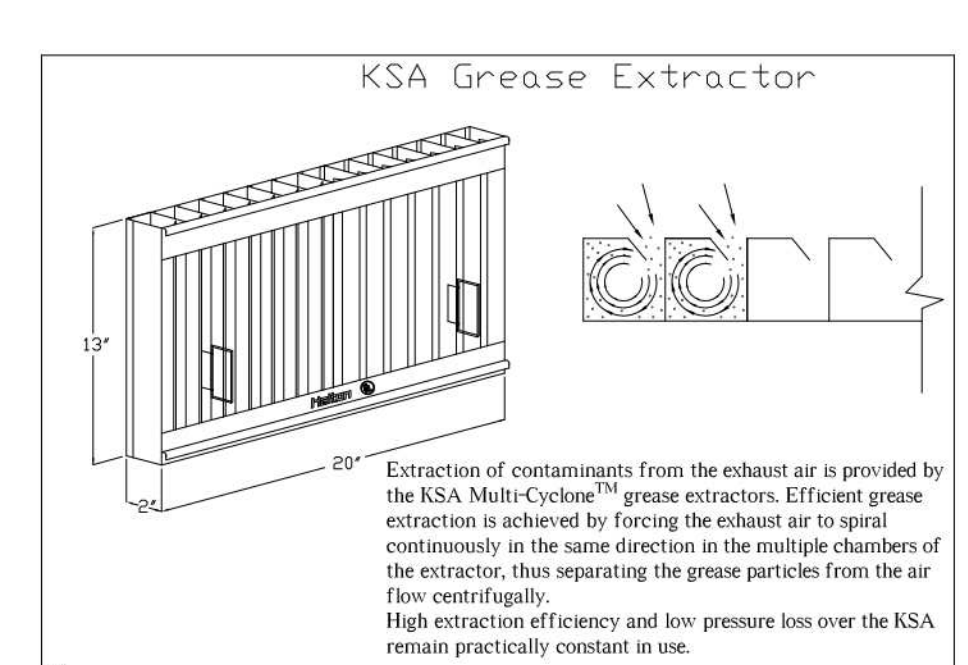
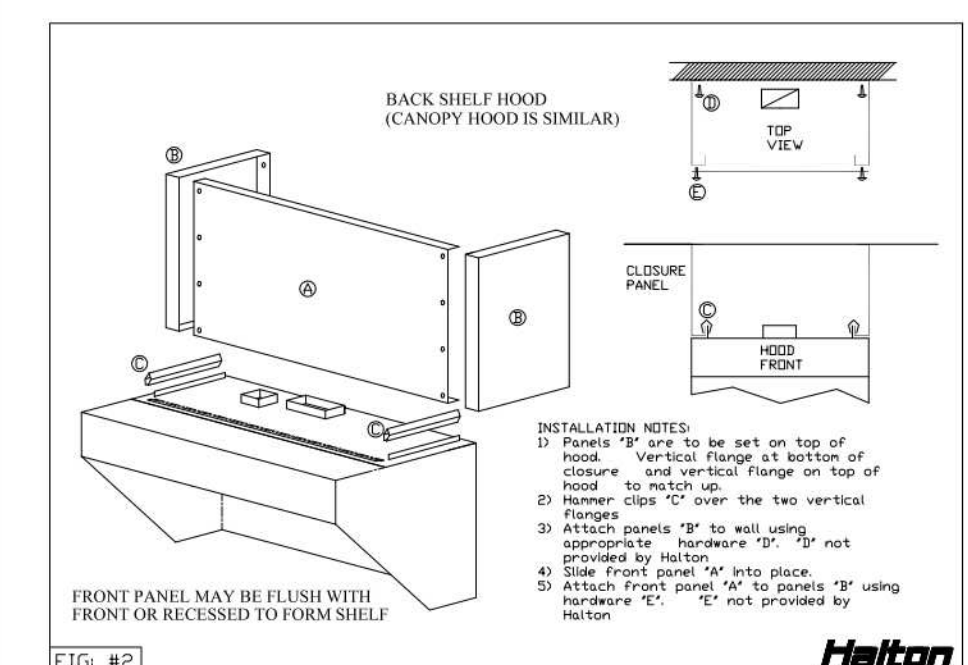
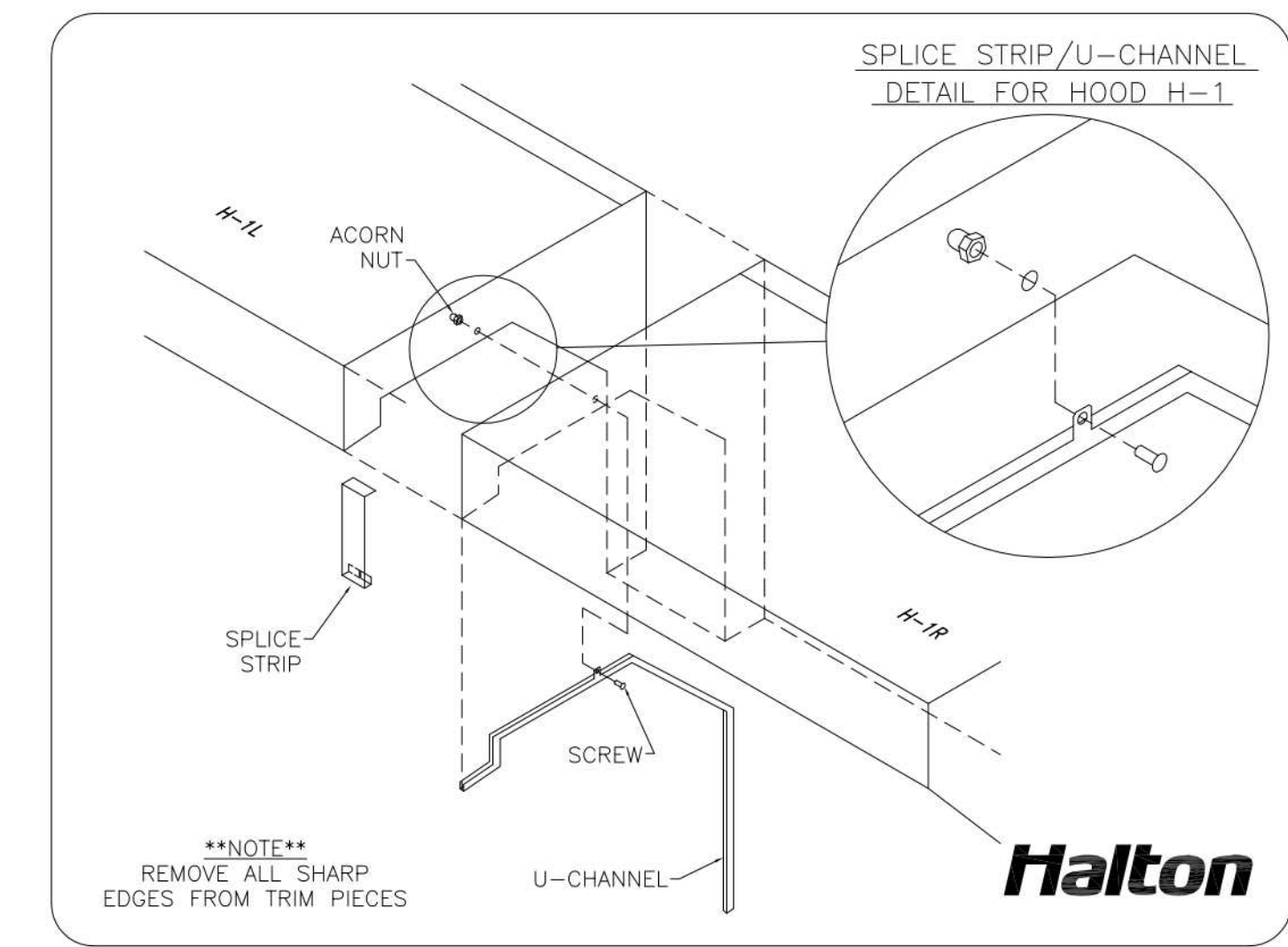
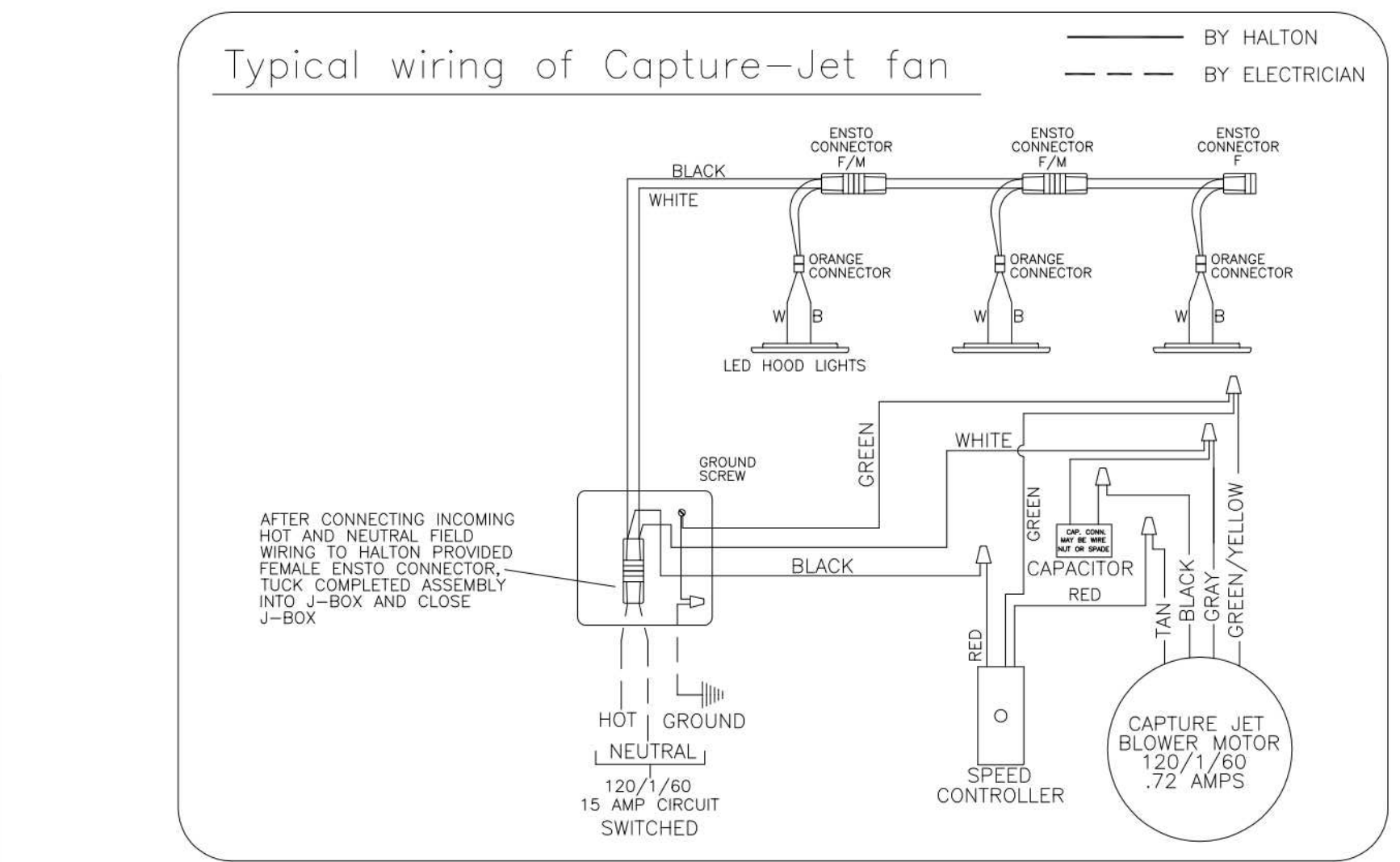
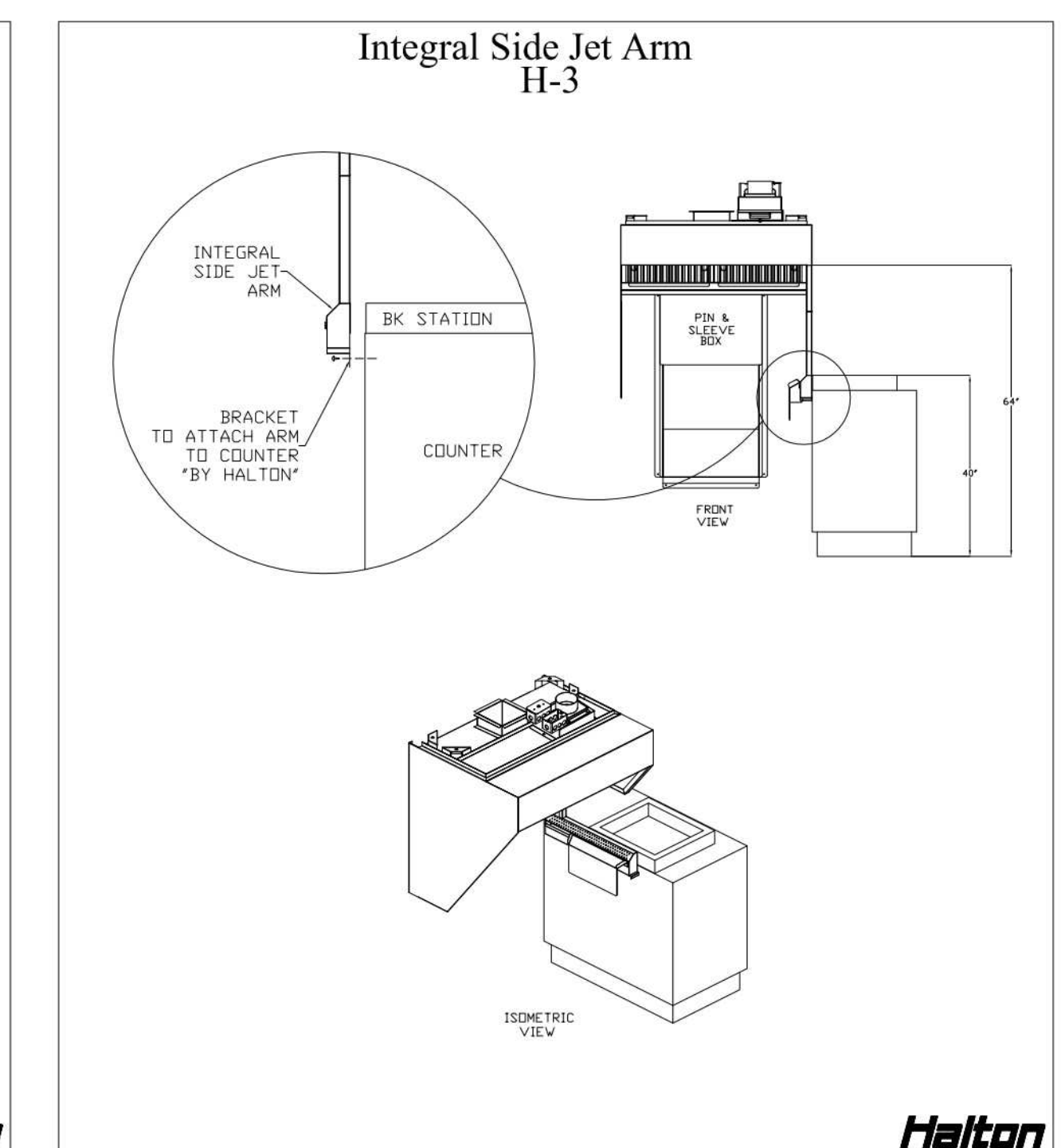
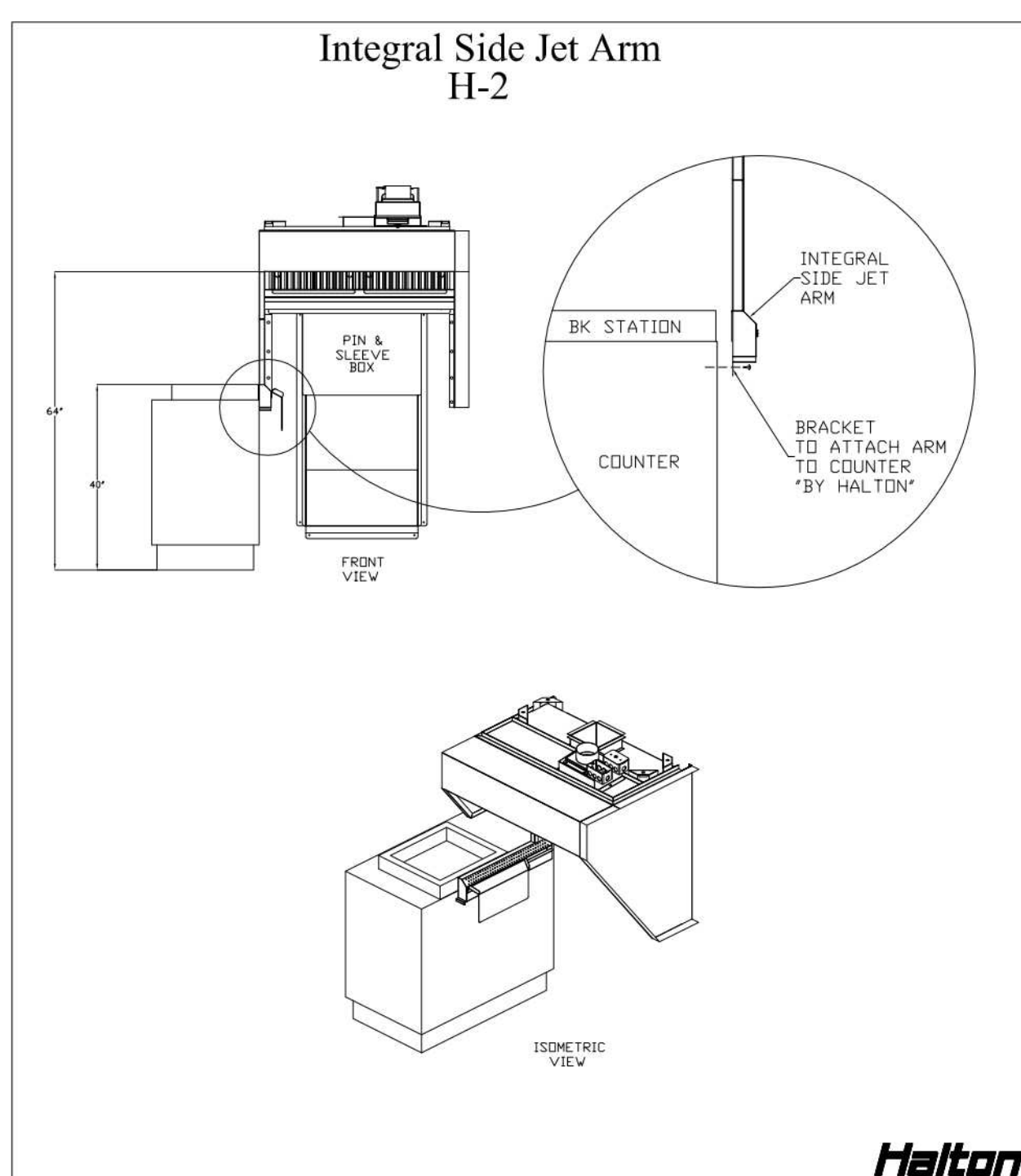
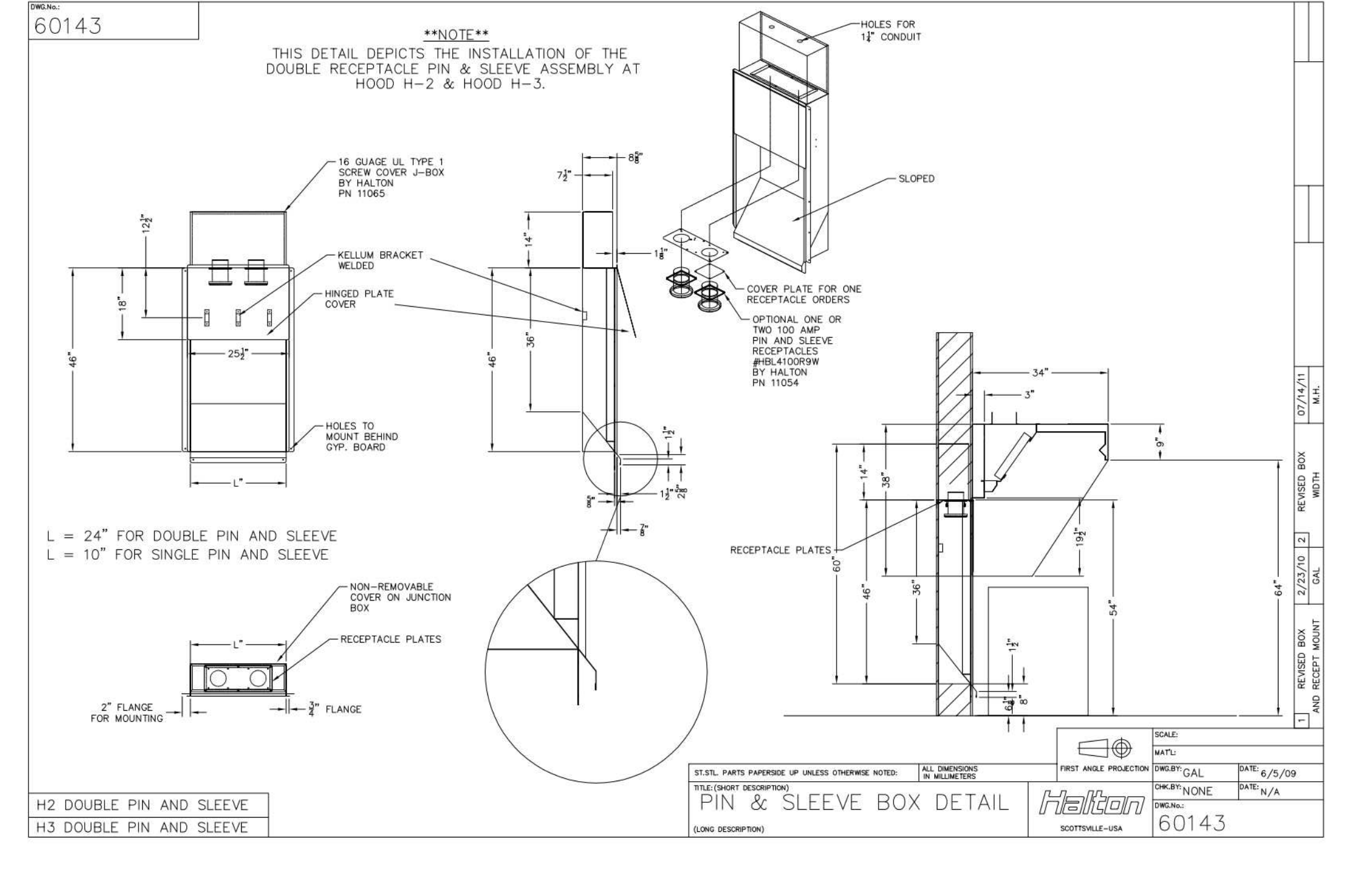
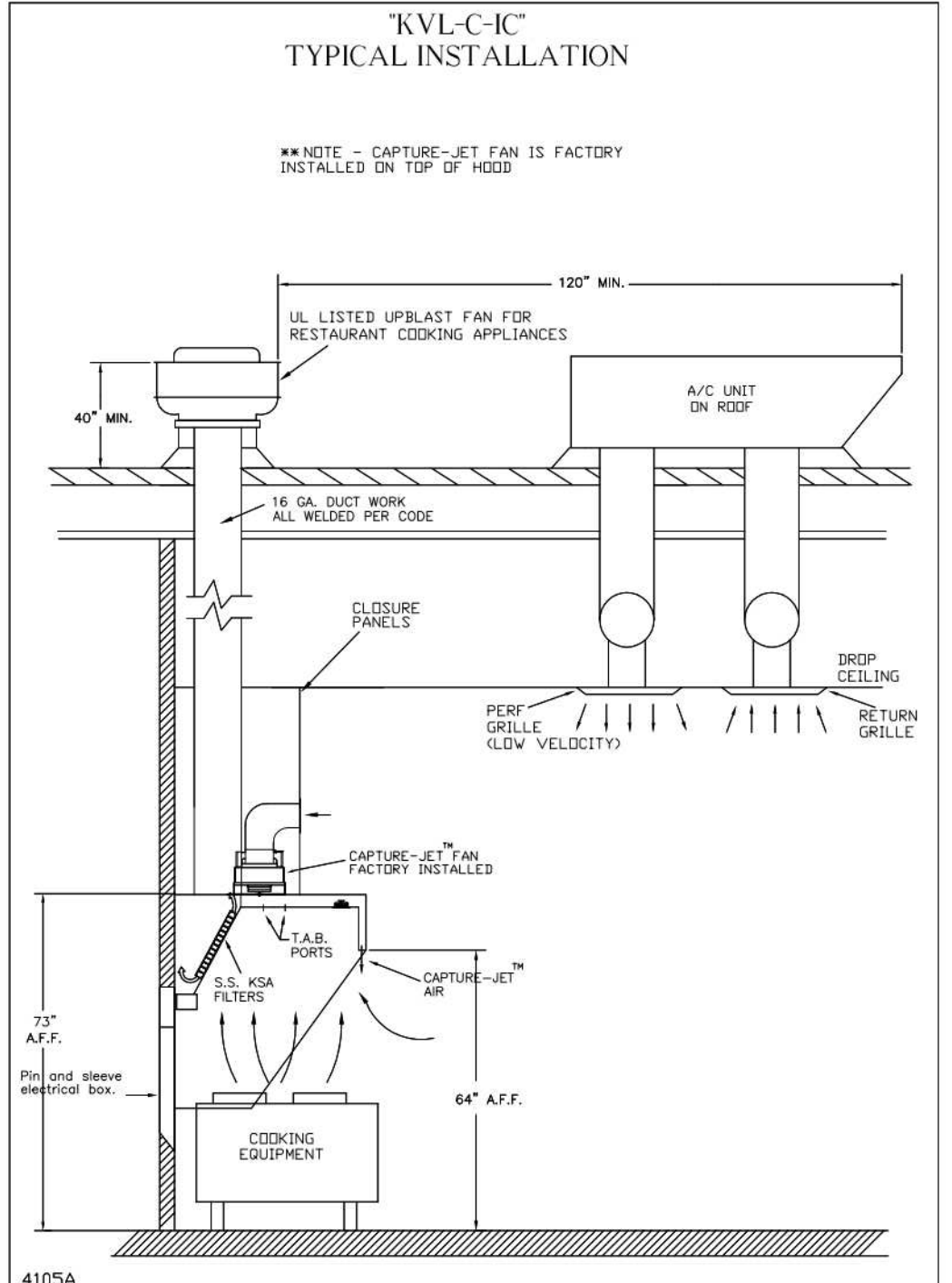
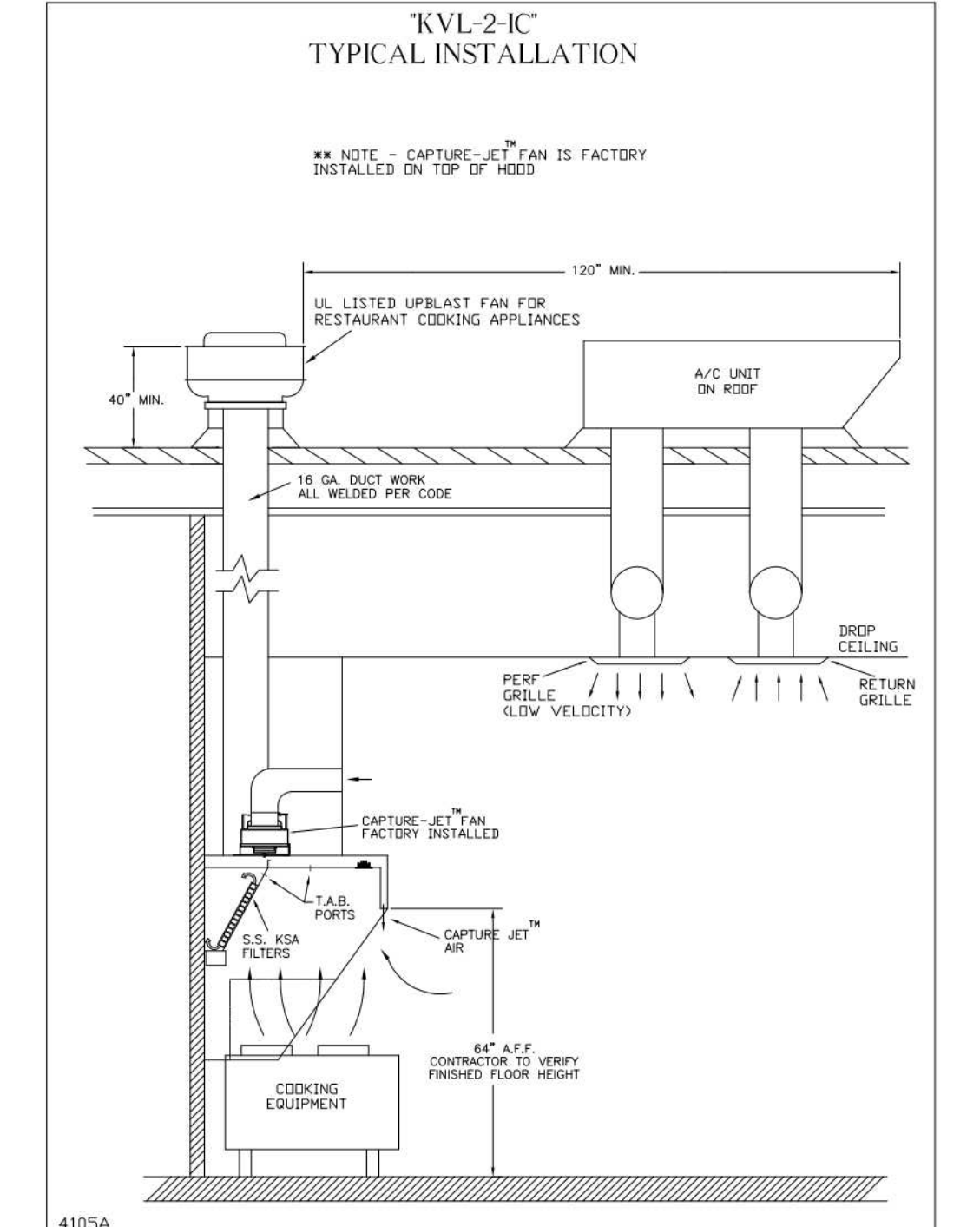
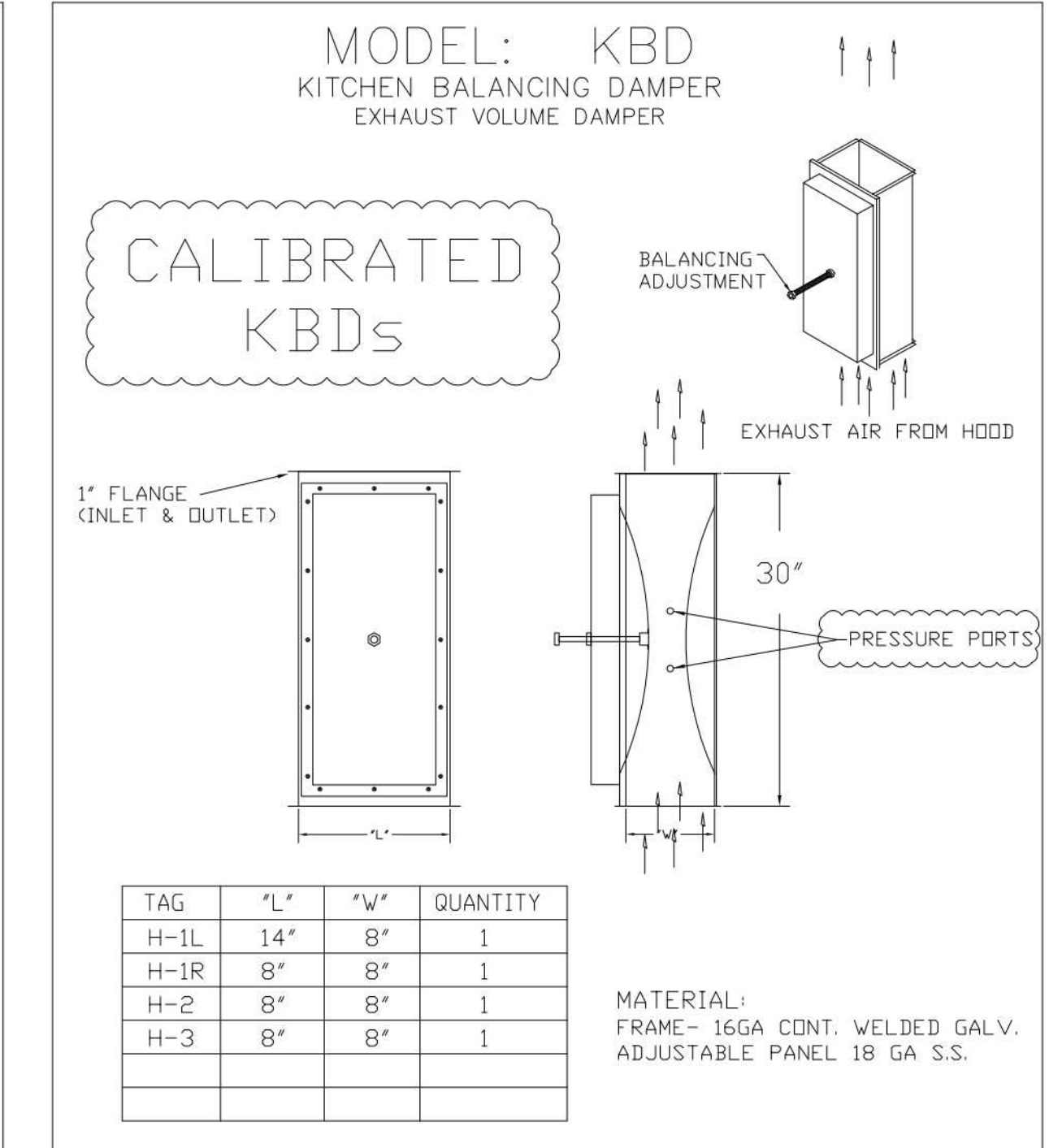
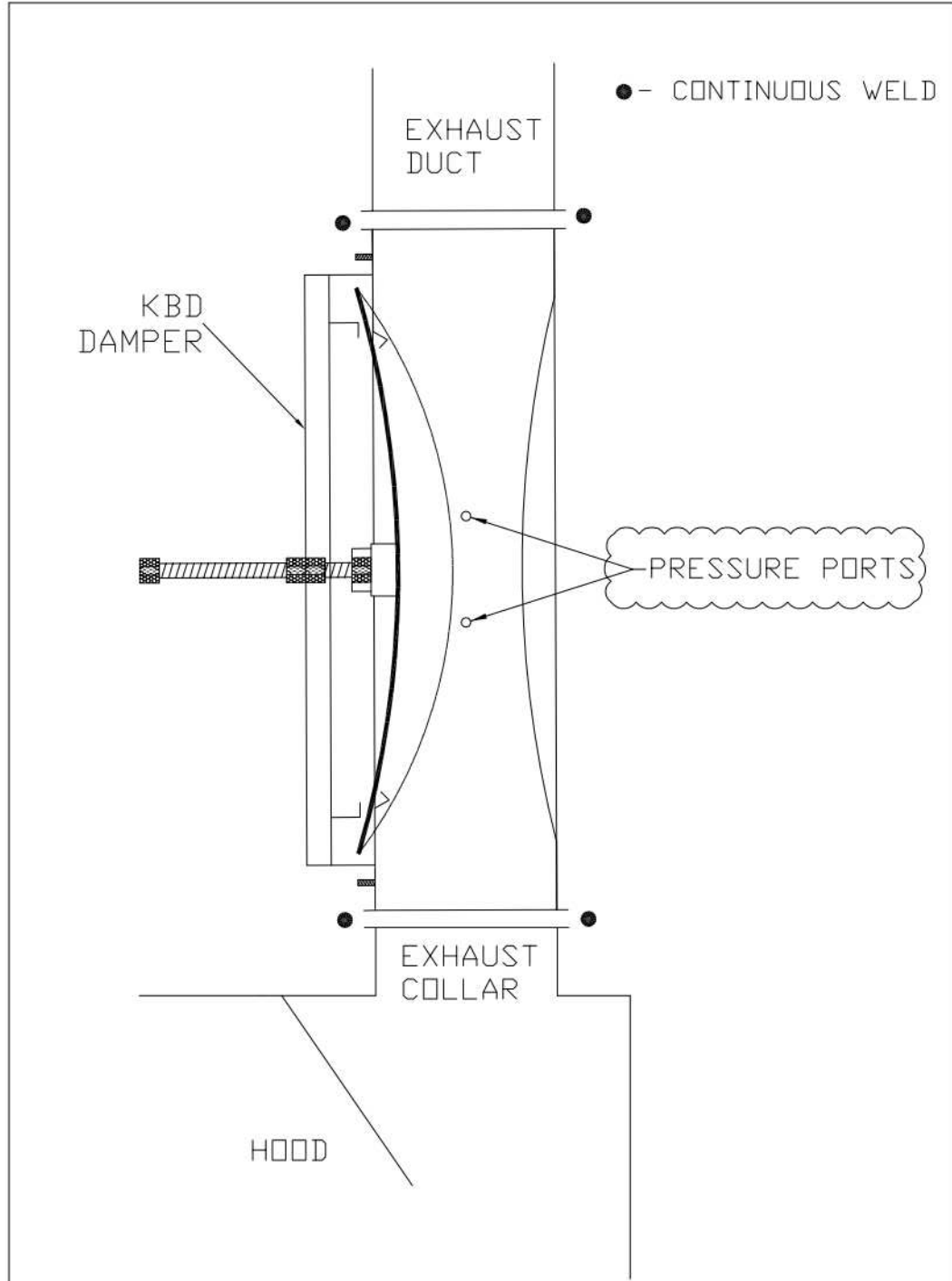
THIS DRAWING MUST BE CHECKED, SIGNED AND RETURNED TO THE APPROPRIATE FACTORY. PLEASE VERIFY THE FOLLOWING:

- ALL DIMENSIONAL INFORMATION, MOUNTING POSITIONS
- THE LOCATION AND TYPE OF COOKING EQUIPMENT.

NOTE TO APPROVER: ANY CHANGES IN COOKING EQUIPMENT, SUCH AS INCREASED ENERGY INPUTS OR EQUIPMENT POSITION MAY AFFECT EXHAUST AIRFLOW. HALTON MUST BE NOTIFIED IF ANY OF THESE CHANGES OCCUR, A RECALCULATION EXHAUST AIRFLOW MAY BE REQUIRED.

APPROVED FOR FABRICATION:  WITH NO CHANGES  WITH CHANGES AS NOTED

DATE: \_\_\_\_\_



HALTON HOODS	
- ETL LISTED PER LATEST 710 STANDARD	
- BUILT PER NFPA 96	
- NSF LISTED	

GENERAL REQUIREMENTS	
EXTRACTION EFFICIENCY: 90% MIN.	
EXHAUST AIR FLOW: 100 CFM PER 1000 BTU/HOUR INPUT	
EXHAUST AIR TEMPERATURE: 200°F MAX.	
EXHAUST AIR PRESSURE: 0.5 INCHES W.C. MAX.	
EXHAUST AIR NOISE: 65 DBA MAX.	
EXHAUST AIR VIBRATION: 0.05 INCHES PER SECOND MAX.	
EXHAUST AIR PARTICULATE: 0.1 GRAMS PER CUBIC FOOT MAX.	
EXHAUST AIR OIL: 0.1 GRAMS PER CUBIC FOOT MAX.	
EXHAUST AIR SOLIDS: 0.1 GRAMS PER CUBIC FOOT MAX.	
EXHAUST AIR HUMIDITY: 50% MAX.	
EXHAUST AIR OXYGEN: 21% MIN.	
EXHAUST AIR CARBON MONOXIDE: 50 PPM MAX.	
EXHAUST AIR SULFUR DIOXIDE: 50 PPM MAX.	
EXHAUST AIR NITROGEN DIOXIDE: 50 PPM MAX.	
EXHAUST AIR AMMONIA: 50 PPM MAX.	
EXHAUST AIR HYDROGEN SULFIDE: 50 PPM MAX.	
EXHAUST AIR PHOSPHINE: 50 PPM MAX.	
EXHAUST AIR SILANE: 50 PPM MAX.	
EXHAUST AIR ETHYLENE: 50 PPM MAX.	
EXHAUST AIR PROPYLENE: 50 PPM MAX.	
EXHAUST AIR BUTYLENE: 50 PPM MAX.	
EXHAUST AIR PENTYLENE: 50 PPM MAX.	
EXHAUST AIR HEXYLENE: 50 PPM MAX.	
EXHAUST AIR HEPTYLENE: 50 PPM MAX.	
EXHAUST AIR OCTYLENE: 50 PPM MAX.	
EXHAUST AIR NONYLENE: 50 PPM MAX.	
EXHAUST AIR DECYLENE: 50 PPM MAX.	
EXHAUST AIR UNDESIRABLE: 50 PPM MAX.	

MAIL APPROVED DRAWINGS TO APPROPRIATE FACTORY BELOW:

WEBSITE: WWW.HALTON.COM

HALTON CO. (USA)  
101 INDUSTRIAL DRIVE  
SCOTTSVILLE, KY 42164  
1-270-237-9600

HALTON CO. (CANADA)  
1021 BREVK PLACE 3R7  
MISSISSAUGA, ON  
1-905-624-0301

PROJECT: CHICK-FIL-A P14  
LS/LE/SE/DTN BUILDING

LOCATION: --

DATE: 08.09.22

SCALE: NTS

Halton Dwg: U22-606-01

Sheet MH-1.1

**GREASE EXHAUST DUCT CLEARANCE NOTE:**  
 CLEARANCES ABOVE CEILING ARE TIGHT. MECHANICAL CONTRACTOR TO FIELD VERIFY EXACT ROUTING AND CLEARANCES PRIOR TO FABRICATING GREASE EXHAUST DUCT.

**CLEANOUT DOOR NOTE:**  
 DUCT WRAP SHALL BE APPLIED TO THE CLEANOUT DOOR PER THE WRAP MFR'S INSTALLATION INSTRUCTIONS. NO EXCEPTIONS. ALSO, THE CLEANOUT DOOR MUST BE REMOVABLE WITHOUT TOOLS AND MUST BE CLEARLY AND PERMANENTLY LABELED.

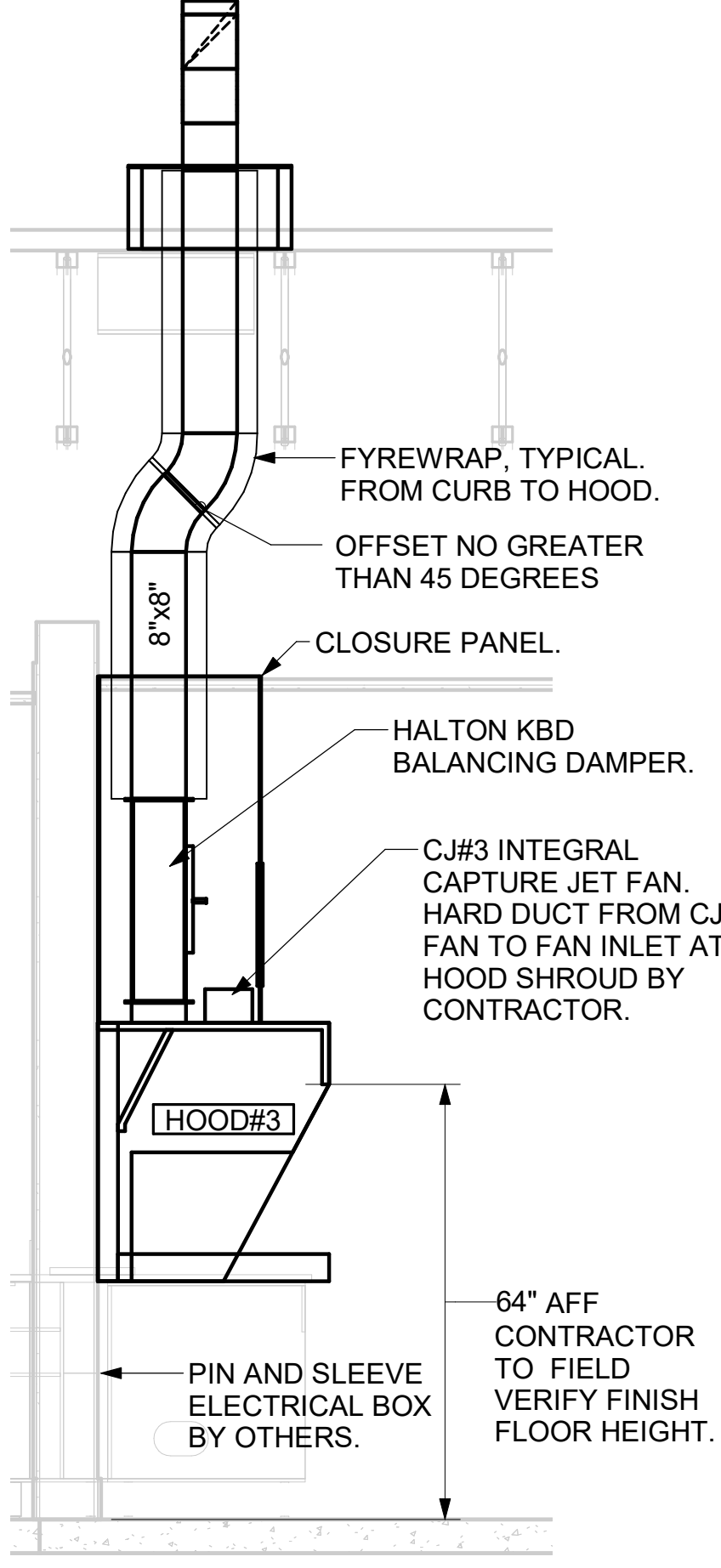
HOOD SCHEDULE											
MARK	EXHAUST CFM	SP @ TAB PORT	CAPTURE JET CFM & S.P.	TYPE	COLLAR SIZE	WIDTH	DEPTH	HEIGHT	MANUFACTURER	MODEL	REMARKS
HOOD#1L	1,204 CFM	0.13"	80 @ 0.30"	BACKSHELF	14"X8"	107"	37"	38"	HALTON	KVL-2 IC	1
HOOD#1R	709 CFM	0.13"	47 @ 0.30"	BACKSHELF	8"X8"	63"	37"	38"	HALTON	KVL-2 IC	1
HOOD#2	701 CFM	0.30"	30 @ 0.29"	BACKSHELF	8"X8"	45"	34"	38"	HALTON	KVL-C IC	1
HOOD#3	701 CFM	0.30"	30 @ 0.29"	BACKSHELF	8"X8"	42"	34"	38"	HALTON	KVL-C IC	1

NOTES  
 DIMENSIONS OF HOODS INCLUDE BACK AND SIDE SPACERS (HEIGHT DOES NOT INCLUDE CLOSURE PANELS).

REMARKS  
 1. REFER TO HOOD SHOP DRAWINGS FOR HOOD OPTIONS AND CONSTRUCTION. HOOD SHOP DRAWINGS ARE INCLUDED FOR REFERENCE ON SHEETS MH-101 AND MH-102.

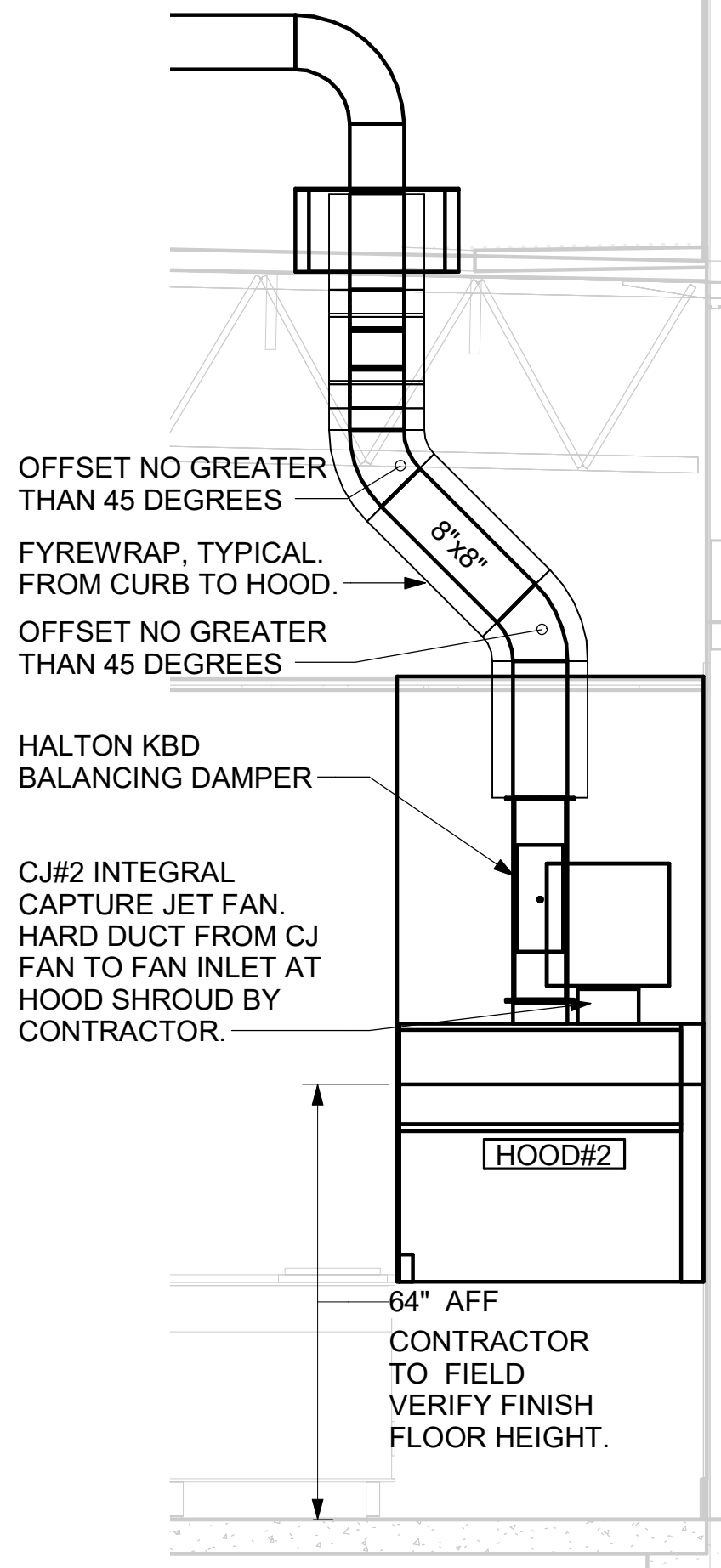
- KITCHEN HOOD SYSTEMS NOTES**
- CHICK-FIL-A MAINTAINS A NATIONAL ACCOUNT WITH HALTON CO. FOR THE HOODS. CHICK-FIL-A WILL PURCHASE AND PROVIDE THE HOODS FOR INSTALLATION BY THE MECHANICAL CONTRACTOR. THE MECHANICAL CONTRACTOR SHALL BE RESPONSIBLE FOR RECEIVING THE HOODS. CONTACT HALTON CO. AT 270-237-5600 FOR MORE INFO.
  - THE FIRE SUPPRESSION SYSTEM SHALL CONSIST OF A COMPLETE WET CHEMICAL SYSTEM FURNISHED BY HALTON. THE HOOD SHALL BE FURNISHED PRE-PIPED BY HALTON.
  - THE FIRE SUPPRESSION SYSTEM EXTERNAL TO THE HOODS SHALL BE INSTALLED IN ACCORDANCE WITH HOOD MANUFACTURER'S SHOP DRAWINGS BY AN AUTHORIZED INSTALLER SELECTED AND HIRED BY HALTON. COST FOR INSTALLATION INCLUDED IN PRICE OF HOODS TO CFA.
  - HOOD EXHAUST DUCTWORK SHALL BE 16 GA. BLACK STEEL WITH CONTINUOUS LIQUID TIGHT WELD OF JOINTS & SEAMS.
  - TURNS IN GREASE EXHAUST DUCTWORK SHALL BE LONG RADIUS TYPE, WITH A CENTERLINE RADIUS  $R=3W/2$ , UNLESS OTHERWISE NOTED. NO MITERED FITTINGS ALLOWED.
  - ALL STAINLESS STEEL CLOSURE PANELS SHALL BE SUPPLIED BY HOOD MANUFACTURER AND INSTALLED BY THE MECHANICAL CONTRACTOR ACCORDING TO MANUFACTURER'S RECOMMENDATIONS.
  - SLOPE ALL GREASE EXHAUST DUCT BACK TO HOOD AT 1/4" PER FOOT OF RUN.
  - WRAP NEW GREASE DUCT WITH UNIFRAX FYREWRAPI. INSULATION ON ACCESS DOORS SHALL BE INSTALLED ACCORDING TO MANUFACTURER'S INSTALLATION RECOMMENDATIONS. UNIFRAX FYREWRAPI PRODUCT USED SHALL MEET LOCAL CODE REQUIREMENTS.
  - SUPPORT ALL HOODS WITH THREADED ROD AT EACH FACTORY SUPPORT POINT. EACH SUPPORT POINT MUST SUPPORT THE HOOD WEIGHT EQUALLY. ATTACH TO STRUCTURE AS DETAILED ON STRUCTURAL DRAWINGS. ATTACH HOOD TO WALL AT 16" INTERVALS ALONG FULL LENGTH OF HOOD ON TOP AND BOTTOM. ATTACHMENT TO WALL REQUIRES FIELD DRILLING OF SUPPORT ANGLE AT BACK OF HOODS. EACH WALL ATTACHMENT POINT MUST OCCUR AT A WALL STUD. ATTACHMENT HARDWARE TO BE #12-24 HEX HEAD SHEET METAL SCREW EQUAL TO TEXTRON SDS EDT265, LENGTH AS REQUIRED TO FULLY PENETRATE THE STUD.
  - MECHANICAL CONTRACTOR TO PROVIDE AND INSTALL SUNCOAST H.E.S. SYSTEM FOR ALL HOODS. SEE HOOD FAN/EQUIPMENT INTERLOCK WIRING DIAGRAM ON M-501 FOR MORE INFORMATION.

SET RIGHT SIDE OF HOOD#3 FLUSH WITH FINISHED EDGE OF PASS THRU OPENING.

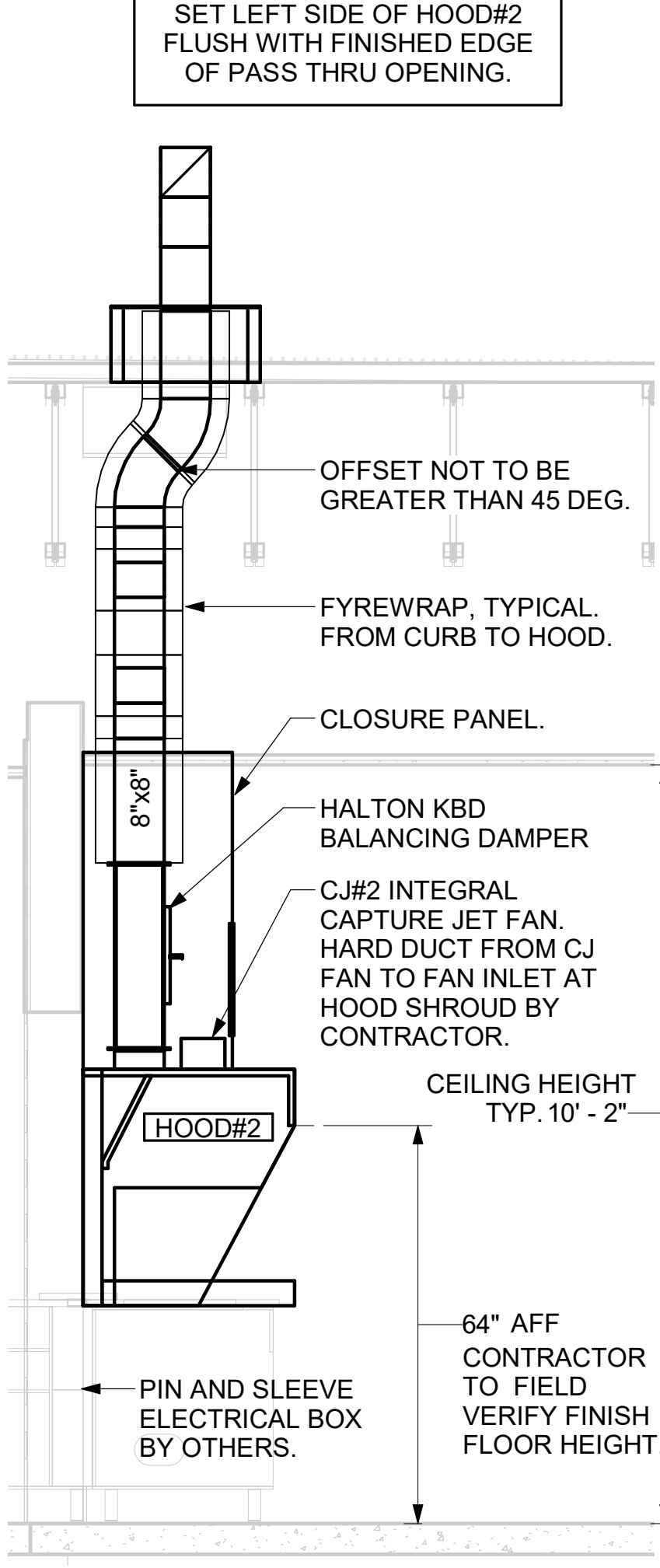


7 HOOD ELEVATION - HOOD#3  
 NOT TO SCALE

SET LEFT SIDE OF HOOD#2 FLUSH WITH FINISHED EDGE OF PASS THRU OPENING.

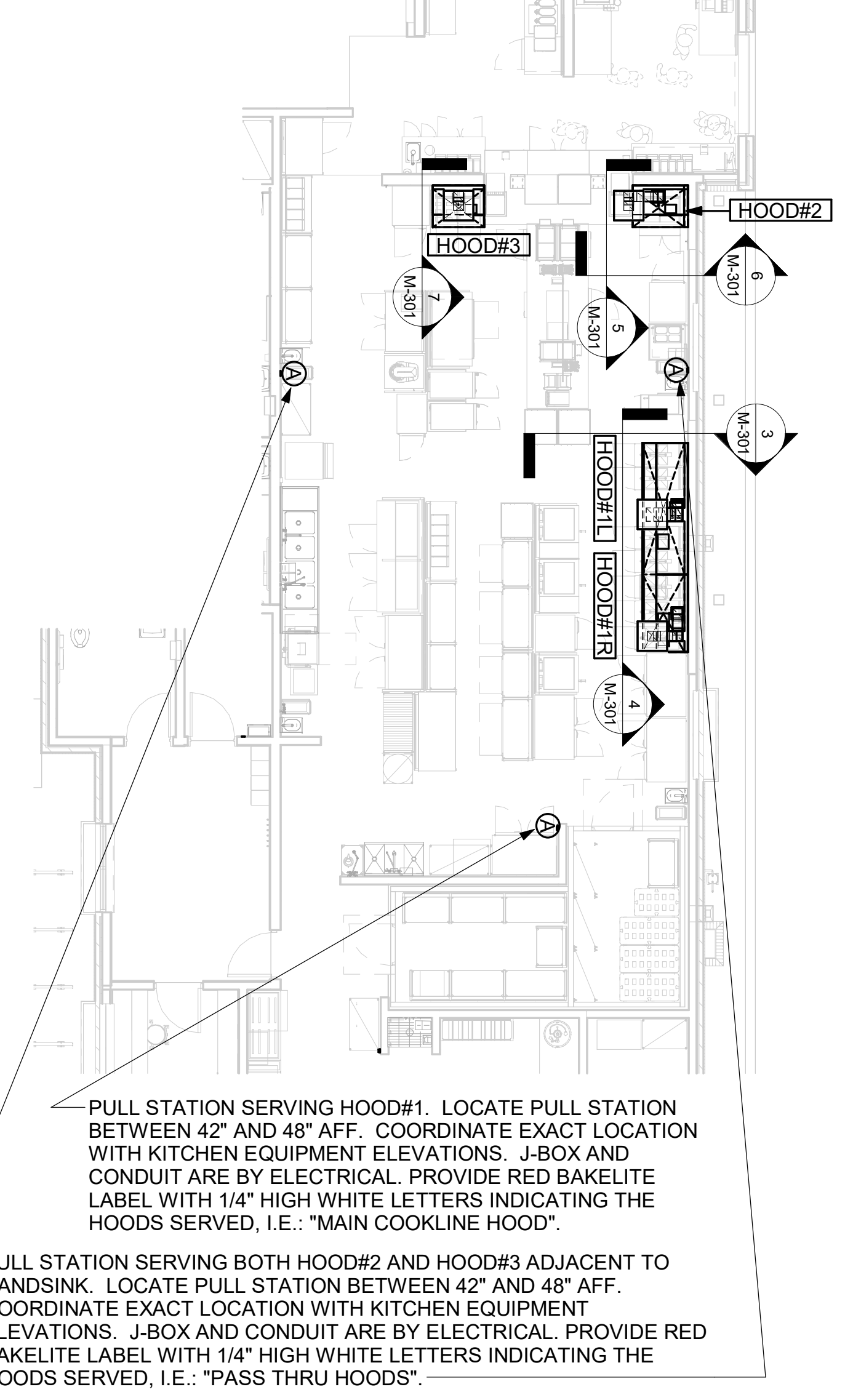


6 HOOD ELEVATION - HOOD#2 - FRONT  
 NOT TO SCALE

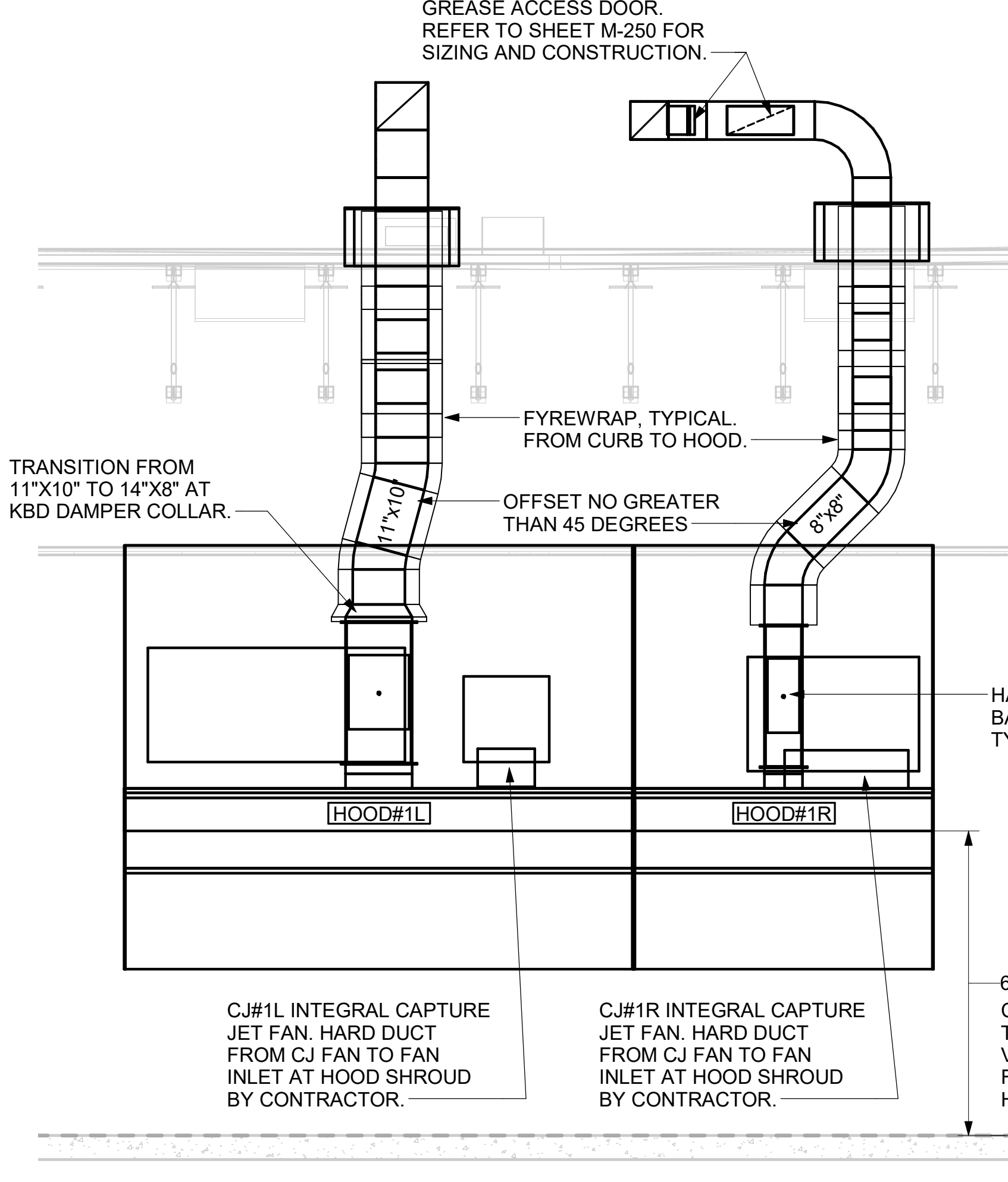


5 HOOD ELEVATION - HOOD#2 - SIDE  
 NOT TO SCALE

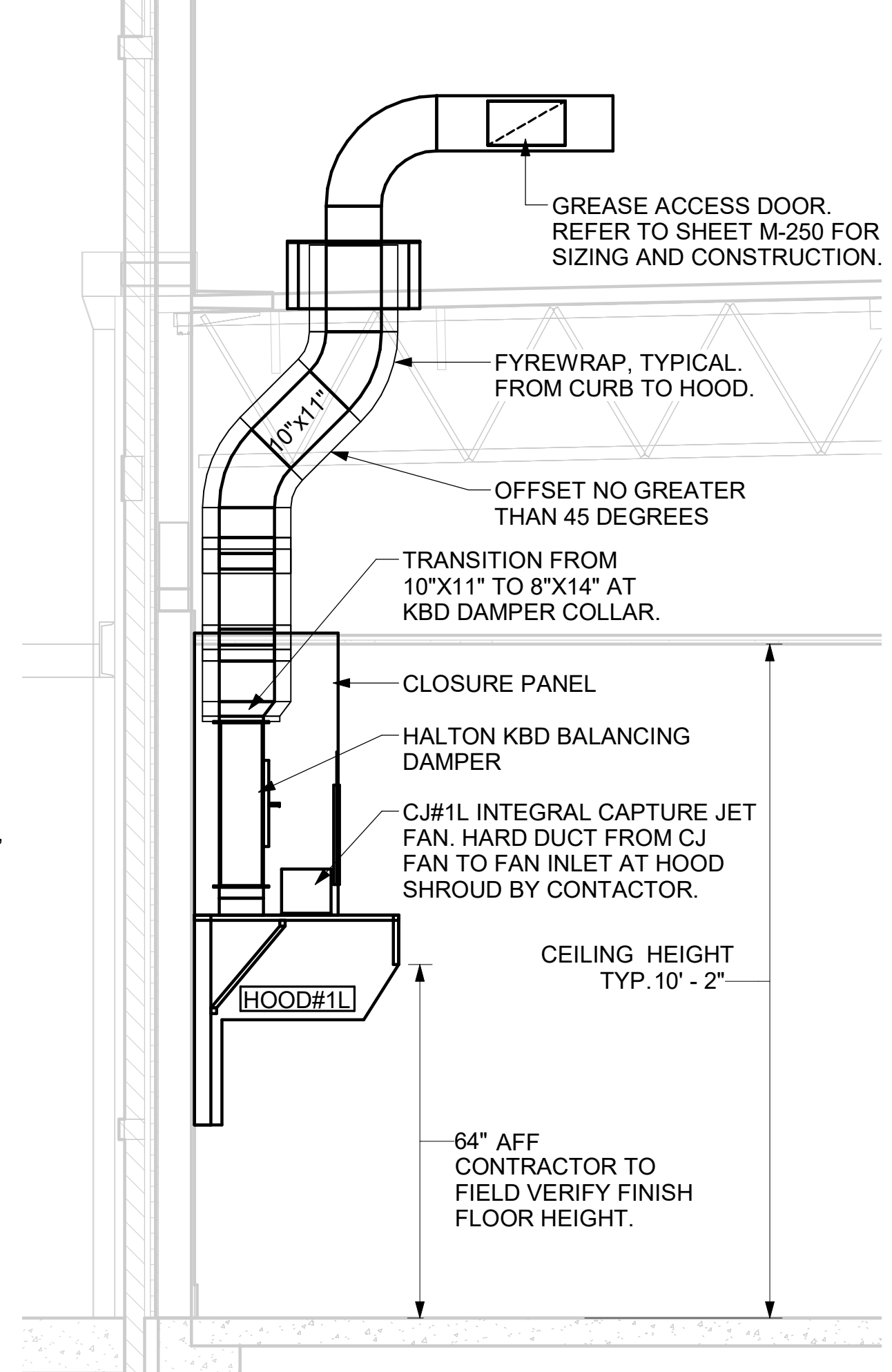
NOTE: SEE ARCHITECTURAL PLANS FOR HOOD LOCATIONS.



1 HOOD LAYOUT  
 1/8" = 1'-0"



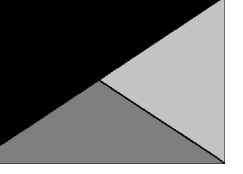
4 HOOD ELEVATION - HOOD#1 - FRONT  
 NONE



3 HOOD ELEVATION - HOOD#1 - SIDE  
 NOT TO SCALE



**Chick-fil-A**  
 5200 Buffington Road  
 Atlanta, Georgia  
 30349-2998



**Kurzynske & Associates**  
 2705 Lebanon Pike - Suite One  
 Nashville, Tennessee 37214  
 Telephone: (615) 255-5203



01/20/23

**CHICK-FIL-A**  
**FORT WALTON BEACH**  
 122 EGLIN PKWY NE  
 FT WALTON BEACH, FL 32548

**FSR#05183**

BUILDING TYPE / SIZE: P14 LS LRG  
 RELEASE DATE: 10/17/2022  
 PRINTED FOR: CONSTRUCTION  
 REVISION SCHEDULE

NO.	DATE	DESCRIPTION

CONSULTANT PROJECT # 22098.CC.S  
 DATE 10/17/2022  
 DRAWN BY BLM

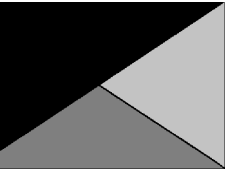
Information contained on this drawing and in all digital files produced for above named project may not be reproduced in any manner without express written or verbal consent from authorized project representatives.

SHEET HOOD DETAILS AND SCHEDULES  
 SHEET NUMBER

**M-301**



**Chick-fil-A**  
5200 Buffington Road  
Atlanta, Georgia  
30349-2998



**Kurzynske & Associates**  
2705 Lebanon Pike - Suite One  
Nashville, Tennessee 37214  
Telephone: (615) 255-5203

MARK T. KURZYNSKE  
FLORIDA LICENSE # 53568



01/20/23

**CHICK-FIL-A**  
**FORT WALTON BEACH**  
122 EGLIN PKWY NE  
FT WALTON BEACH, FL 32548

**FSR#05183**

BUILDING TYPE / SIZE: P14 LS LRG  
RELEASE: 22.08  
PRINTED FOR:  
CONSTRUCTION

REVISION SCHEDULE

NO.	DATE	DESCRIPTION

DRAWN BY: BLM

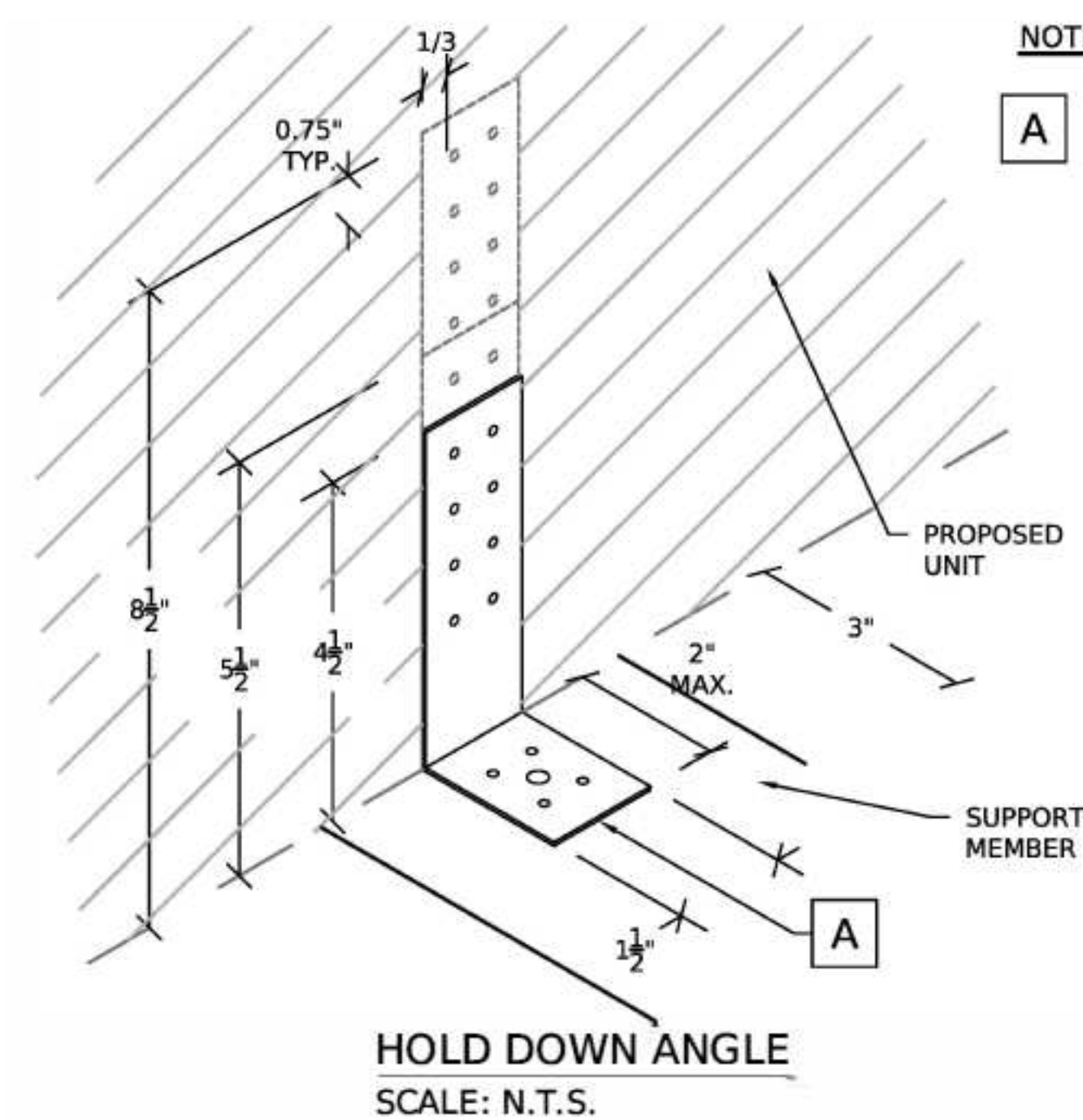
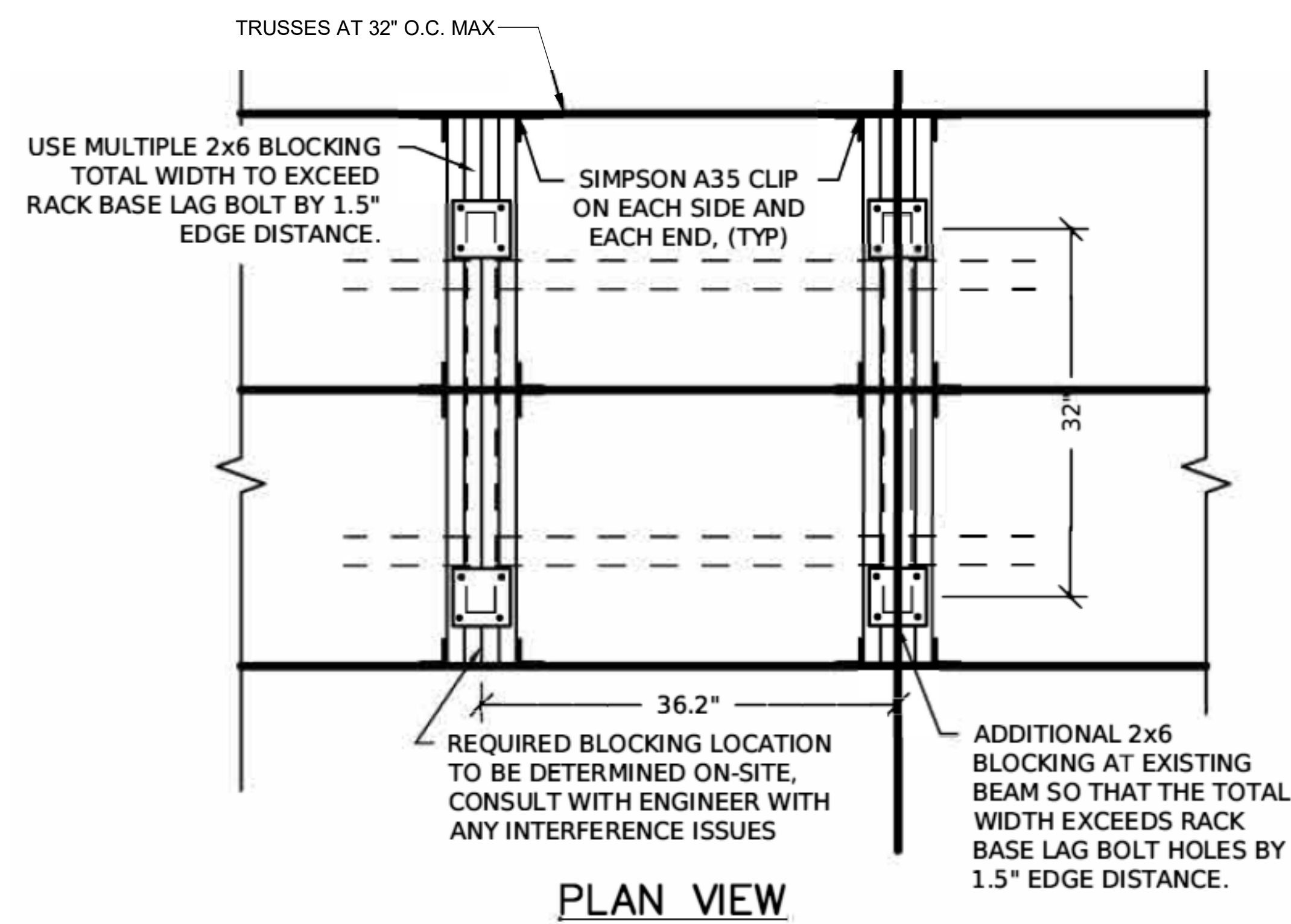
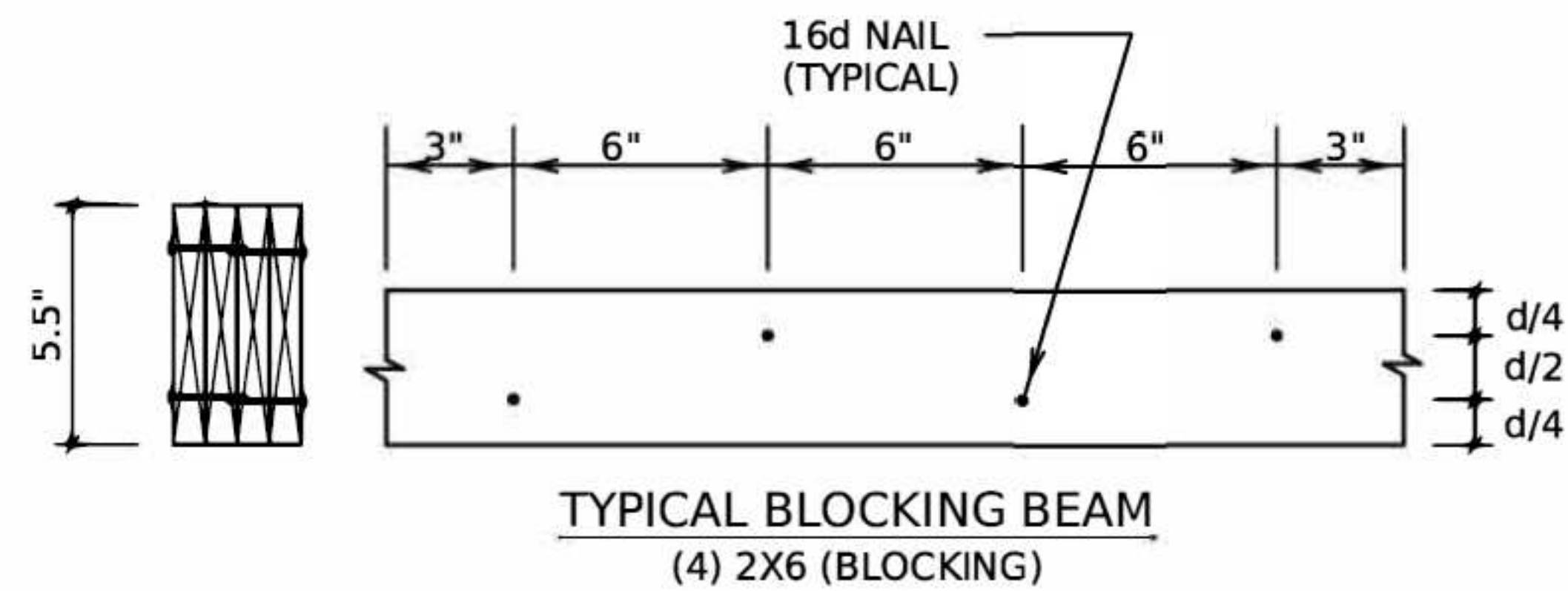
CONSULTANT PROJECT #: 22098.CC.S

DATE: 10/17/2022

Information contained on this drawing and in all digital files produced for above named project may not be reproduced in any manner without express written or verbal consent from authorized project representatives.

SHEET: SEISMIC DETAILS

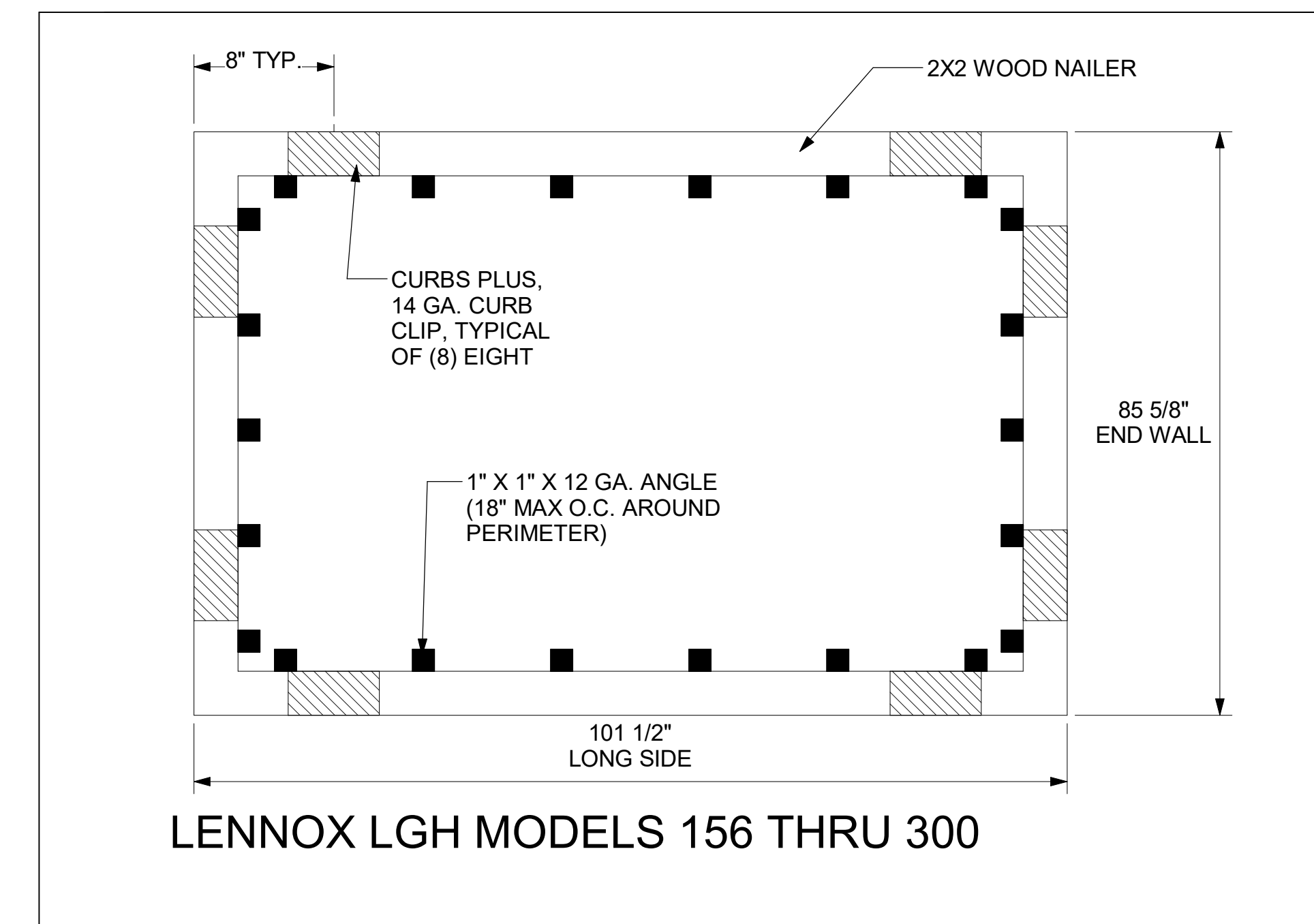
SHEET NUMBER: M-402



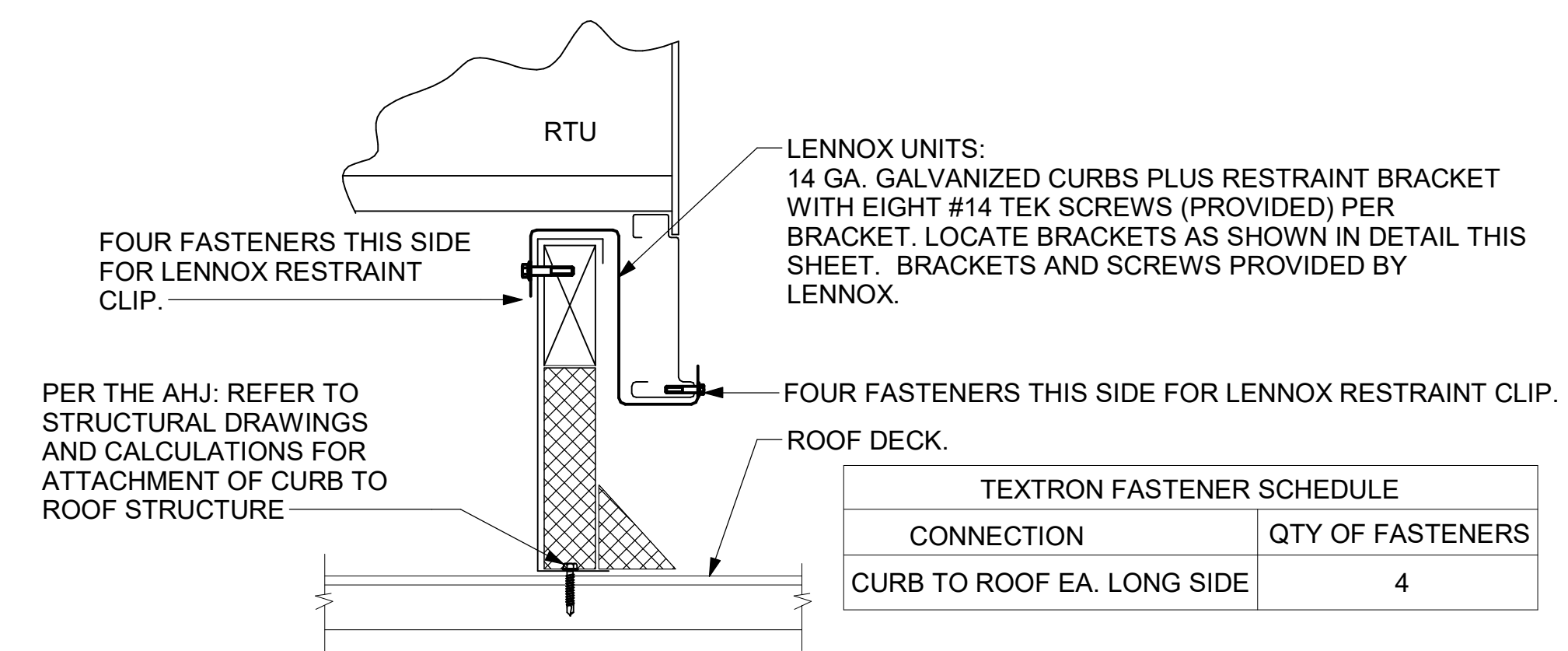
NOTE:

**A** 1", 1.5" or 2" WIDE x 4.5", 5.5", 8" or 10" x 14 GA. OR 16 GA. GALVANIZED OR (16 OR 18 GA.) STAINLESS STEEL HOLD DOWN CLIP. USE (4)-#10 SMS INTO A/C UNIT FOR 4.5" AND 5.5" CLIP AND (2)-#10 SMS INTO 8", 8.5" OR 10" CLIP. IT IS RECOMMENDED TO USE 1/4" CARBON STEEL SIMPSON STRONG BOLT, OR POWERS WEDGE BOLT WITH 1 3/4" EMBEDMENT OR EQUAL TAPCON, WITH 2.5" EDGE DISTANCE FROM EDGE OF PAD. BASE PROVIDER TO VERIFY BASE AND CONNECTION. UNIT SHALL HAVE A MINIMUM OF 20 GA. ENCLOSURE FOR HOLD DOWN ANGLE.

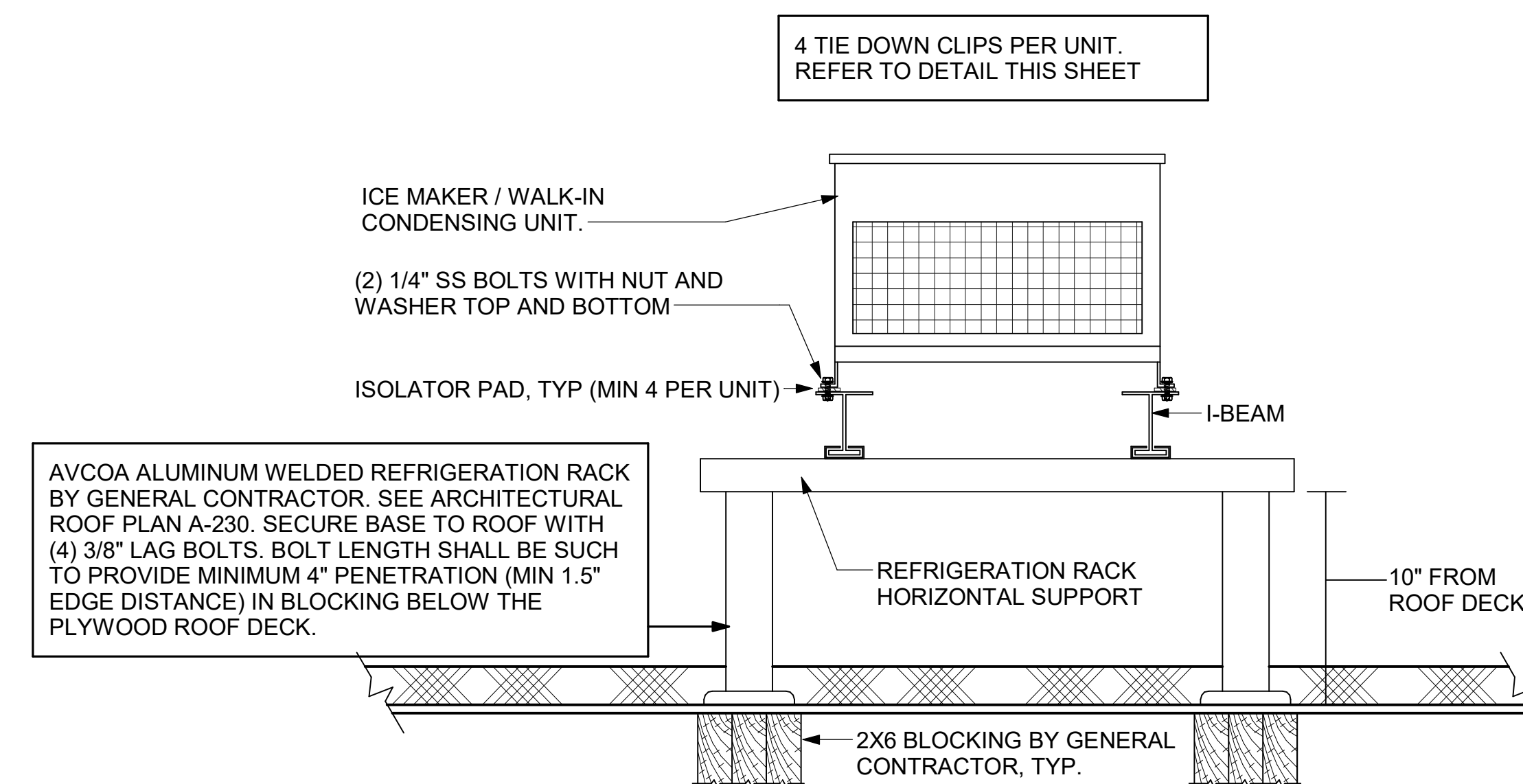
**5** CONDENSER STAND DETAILS  
NOT TO SCALE



**4** RTU CURB CLIP INSTALLATION  
NOT TO SCALE



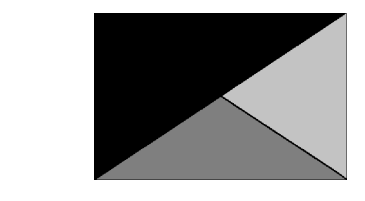
**3** RTU CURB BRACKET  
NTS



**1** CONDENSING UNIT TIE DOWN DETAIL  
NTS



**Chick-Fil-A**  
 5200 Buffington Road  
 Atlanta, Georgia  
 30349-2998



**Kurzynske & Associates**  
 2705 Lebanon Pike - Suite One  
 Nashville, Tennessee 37214  
 Telephone: (615) 255-5203



MARK T. KURZYNSKE  
 FLORIDA LICENSE # 53568  
 01/20/23

**CHICK-FIL-A**  
**FORT WALTON BEACH**  
 122 EGLIN PKWY NE  
 FT WALTON BEACH, FL 32548

**FSR#05183**  
 BUILDING TYPE / SIZE: P14 LS LRG  
 RELEASE: 22098.CC.S  
 PRINTED FOR: CONSTRUCTION  
 REVISION SCHEDULE

NO.	DATE	DESCRIPTION

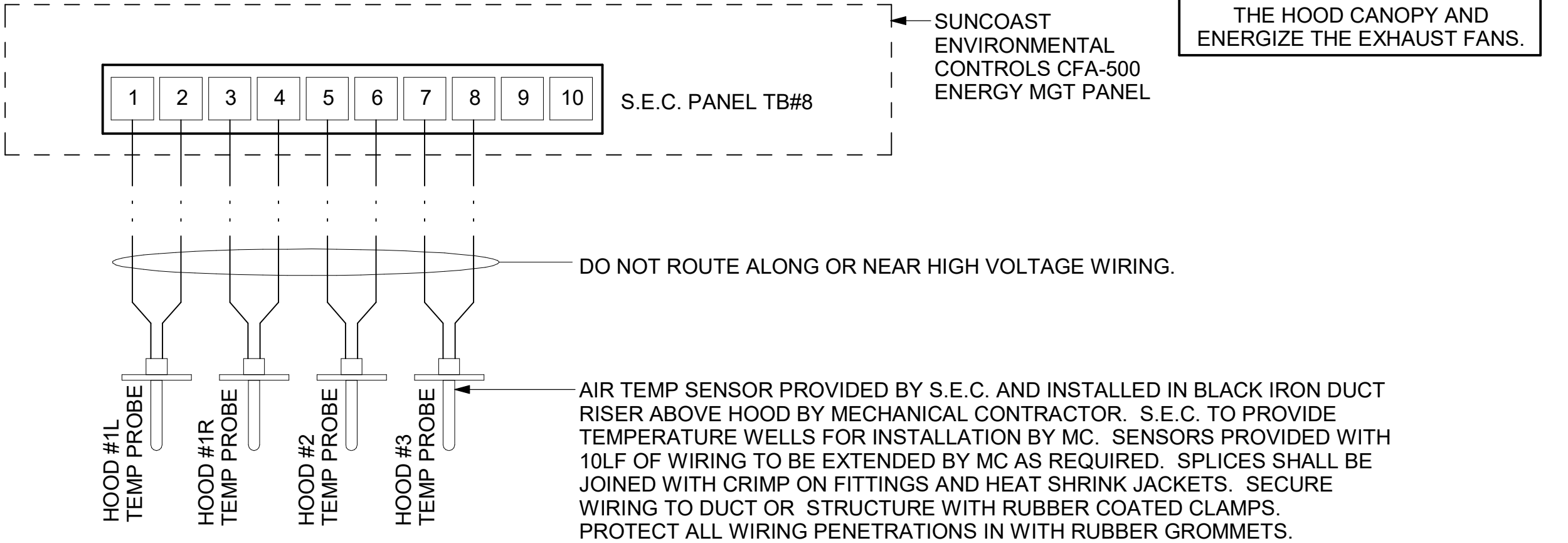
CONSULTANT PROJECT # 22098.CC.S  
 DATE 10/17/2022  
 DRAWN BY BLM

Information contained on this drawing and in all digital files produced for above named project may not be reproduced in any manner without express written or verbal consent from authorized project representatives.  
 HVAC CONTROLS

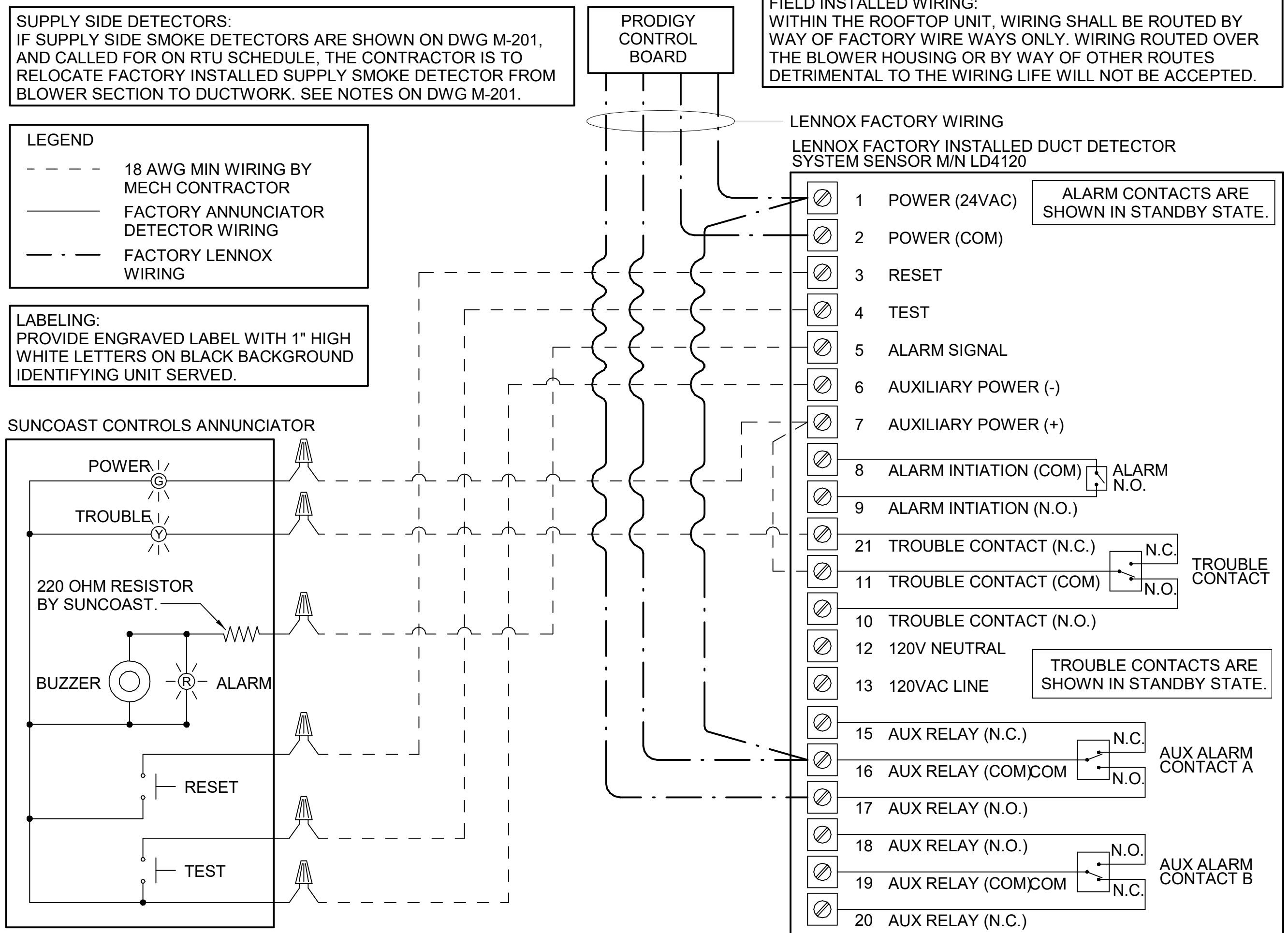
SHEET NUMBER  
**M-501**

PROVIDE A PROFESSIONALLY LAMINATED COPY OF THESE DETAILS TO BE INSTALLED INSIDE THE ROOFTOP UNIT CONTROL CABINET. USE A SETON CHART FRAME STYLE #6824, TELEPHONE NUMBER 800-243-6524, FOR MOUNTING THE DETAIL. ATTACH THE FRAME TO THE INTERIOR OF THE UNIT IN PLAIN AND EASY VIEW OF THE CONTROLS SECTION. CONTACT ENGINEER OF RECORD FOR A REPRODUCIBLE COPY OF THE DETAIL.

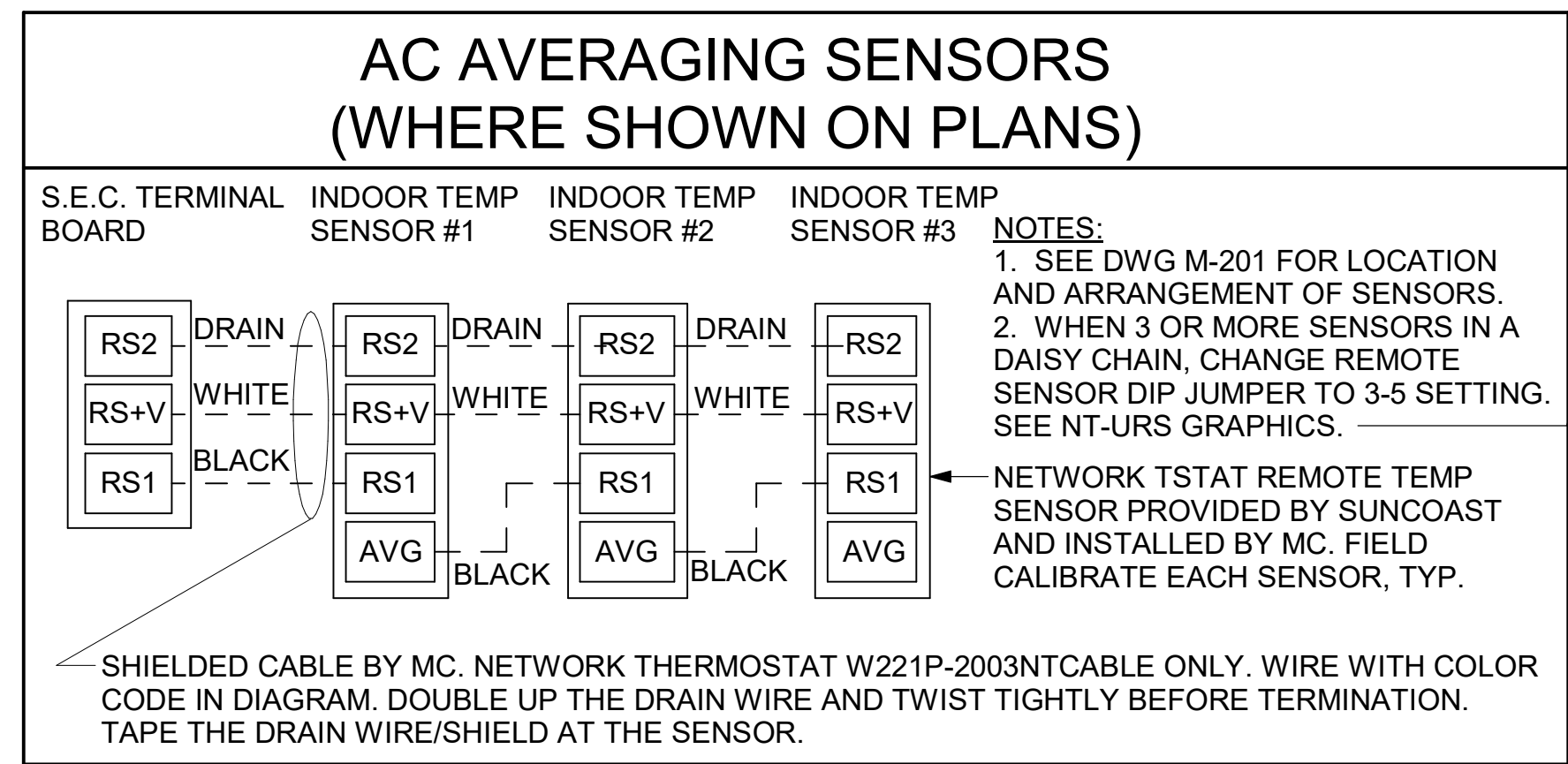
LEGEND		GENERAL NOTES	S.E.C. H.E.S. OPERATION
S.E.C.	SUNCOAST ENVIRONMENTAL CONTROLS CFA-500 ENERGY MGT PANEL	1. THE SUNCOAST H.E.S. SYSTEM HAS BEEN INTEGRATED INTO THE SUNCOAST ENVIRONMENTAL CONTROLS CFA-500 ENERGY MGT PANEL.	IN THE EVENT THAT ANY COOKING EQUIPMENT ITEM BENEATH ANY HOOD IS STARTED WITHOUT THE 'STORE SWITCH' BEING IN THE 'OCCUPIED' POSITION, THE H.E.S. CONTROLLER WILL SENSE THE HEAT RISE WITHIN THE HOOD CANOPY AND ENERGIZE THE EXHAUST FANS.
M.C.	MECHANICAL CONTRACTOR		
---	18 AWG MIN UNSHIELDED LOW VOLTAGE WIRING BY MC, U.N.O.		



**3 HOOD FAN/EQUIPMENT INTERLOCK - 3 Hood (4 Collars) - CFA500 Integrated**  
 1/4" = 1'-0"



**1 SMOKE DETECTOR AND ANNUNCIATOR WIRING DIAGRAM - LARGE**  
 NOT TO SCALE



- NOTES:**
- MECHANICAL CONTRACTOR SHALL MAKE PLASTIC LAMINATE OF THIS DETAIL AND INSTALL PERMANENTLY ON INSIDE DOOR OF ROOFTOP UNIT CONTROL COMPARTMENT.
  - SEE DETAILS THIS SHEET FOR SMOKE DETECTOR AND ANNUNCIATOR WIRING.
  - SET ALL THERMOSTATS FOR AUTO CHANGEOVER.
  - PROVIDE PLASTIC ENGRAVED LABEL AT ALL NEW SENSORS WITH 1/4" HIGH WHITE LETTERING ON BLACK BACKGROUND, I.E. "AC#2 HUMIDITY SENSOR" OR "AC#2 TEMP SENSOR". PLACE LABELS ON WALL ADJACENT TO DEVICE, DO NOT APPLY DIRECTLY TO DEVICE.

- KEYED NOTES:**
- LOW VOLTAGE WIRING TO RTU TO BE ROUTED TO UNIT THRU FACTORY WIREWAY.
  - HUMIDITROL UNITS ONLY: WIRING TO HUMIDITY SENSOR TO BE MADE WITH TWO SEPARATE RUNS OF SHIELDED TWISTED PAIR. TERMINATE SHIELD WIRES AT TB-1, LEAVE OPEN AT SENSOR.
  - NETWORK TSTAT REMOTE TEMP SENSOR PROVIDED BY SUNCOAST AND INSTALLED BY MC. SENSOR IS INTENDED TO BE SURFACE MOUNTED AND DOES NOT REQUIRE A SINGLE GANG BOX OF CONDUIT. FIELD CALIBRATE EACH SENSOR.

**LEGEND**

S.E.C. SUNCOAST ENVIRONMENTAL CONTROLS (SUPPLIER OF TEMP/FAN CONTROL PANEL) LOCATED IN KITCHEN

① KEY NOTE REFERENCE

MC MECHANICAL CONTRACTOR

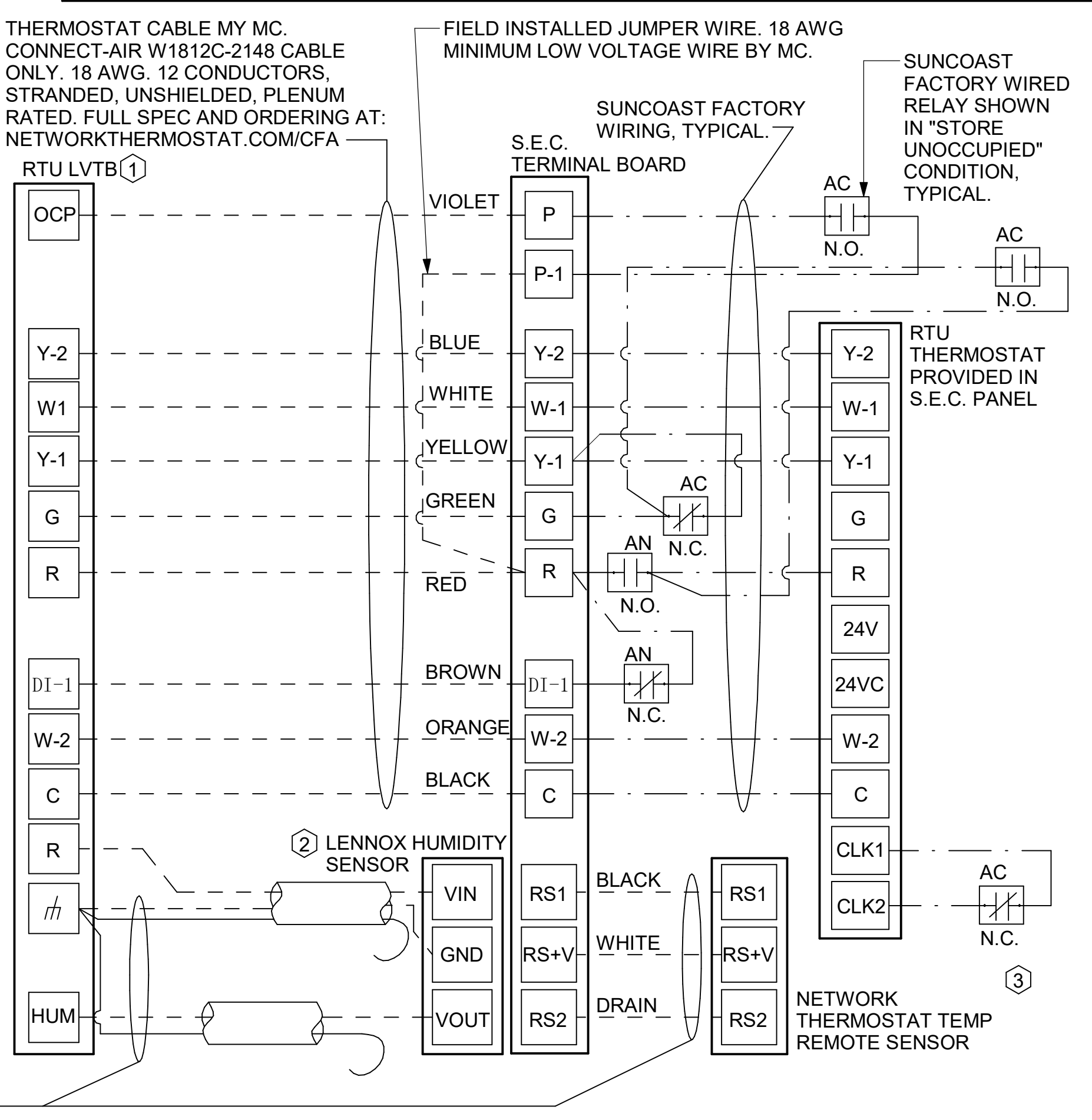
AC SUNCOAST RELAY FACTORY INSTALLED AND WIRED IN CFA-500 PANEL, ENERGIZED BY PUTTING STORE SWITCH IN "STORE OCCUPIED" POSITION.

AN SUNCOAST RELAY FACTORY INSTALLED AND WIRED IN CFA-500 PANEL, DENERGIZED WHEN ANSUL FIRE SUPPRESSION SYSTEM IS ACTIVATED, AS NOTED.

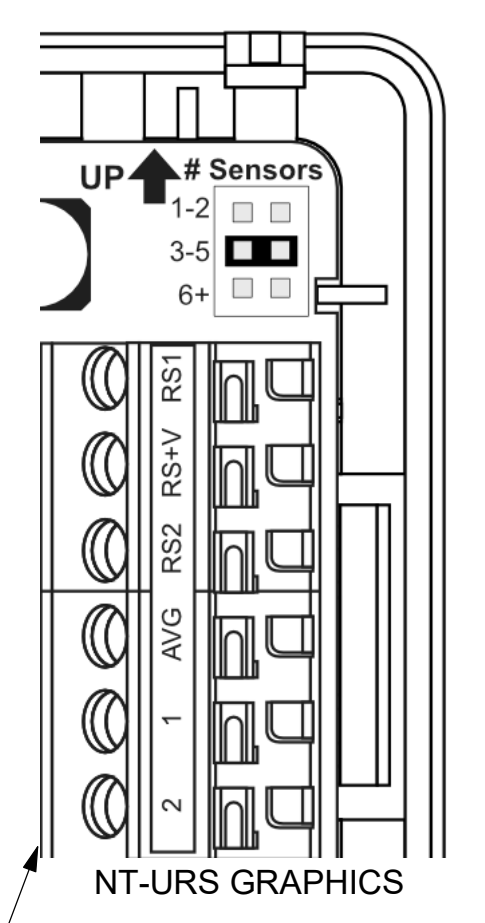
--- ALL LOW VOLTAGE CABLING BY MC. ONLY USE CABLE SPECIFIED. NO SUBSTITUTIONS.

--- LOW VOLTAGE WIRING BY S.E.C.

--- LINE VOLTAGE BY ELECTRICIAN OR S.E.C.



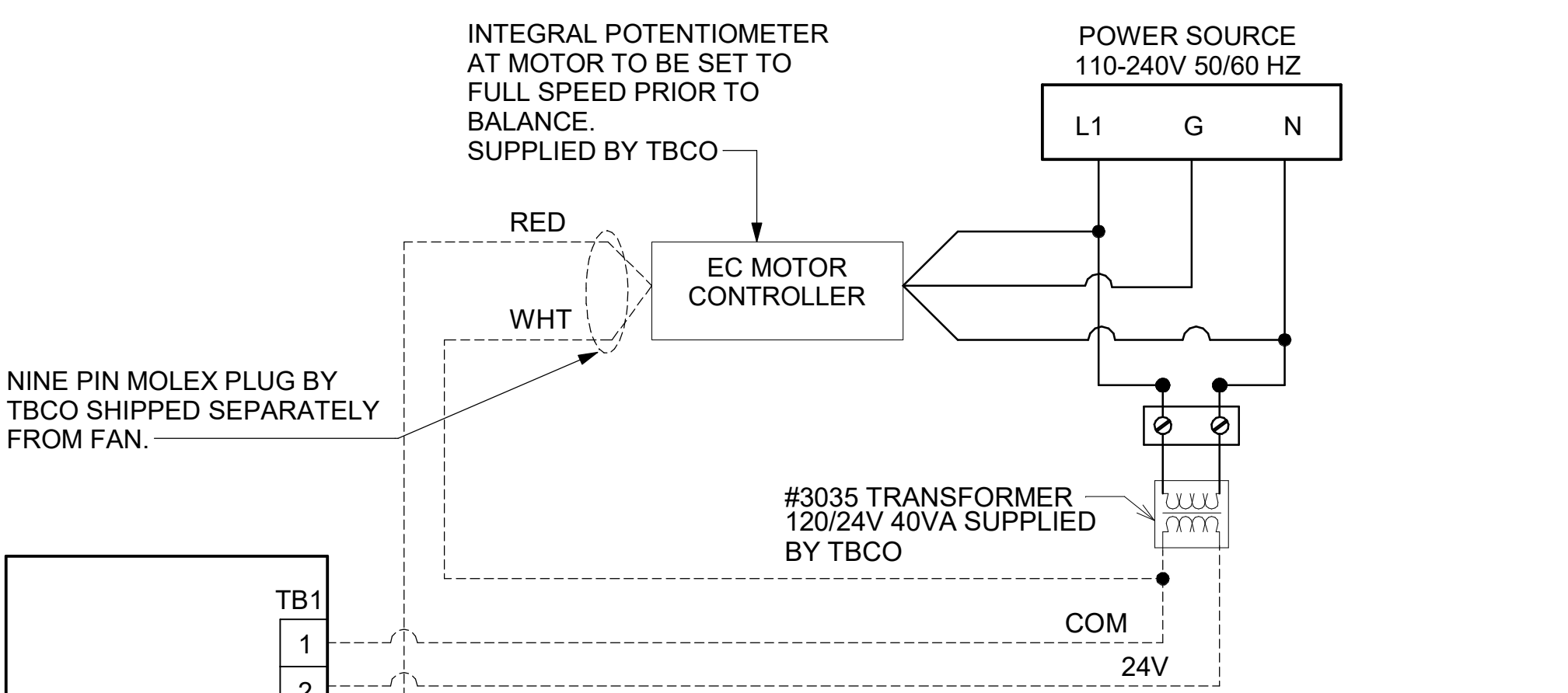
**2 ROOFTOP UNIT CONTROL WIRING - LENNOX**  
 NOT TO SCALE



- LENNOX PRODIGY 2.0 OR CORE UNIT CONTROLLER SETTINGS:**
- FOR ALL RTUS EXCEPT AC#1, ELIMINATE THE MORNING WARMUPOUSA DAMPER DELAY. THE MENU PATH IS:  
 MAIN MENU > SETTINGS > RTU OPTIONS > EDIT PARAMETERS  
 FOR GAS HEAT UNITS (LGT):  
 • CHANGE PARAMETER #65 SETTING TO 1  
 FOR ELECTRIC HEAT UNITS (LCT):  
 • CHANGE PARAMETER #58 TO 1
  - FOR HUMIDITROL UNITS THE MENU PATH IS:  
 MAIN MENU > SETTINGS > RTU OPTIONS > DEHUMIDIFIER MODE > NO CONDITIONS  
 SELECT LOCAL SENSOR AND SAVE  
 • SET POINT: 60%  
 • DEHUMID DEADBAND: 2%
  - FOR ALL UNITS, SET BLOWER TO OPERATE AT ONE AIRFLOW FOR ALL MODES. MENU PATH IS:  
 MAIN MENU > INSTALL > TEST AND BALANCE > BLOWER  
 • SET ALL HEATING AND COOLING CFM VALUES TO THE SAME VALUE AS SCHEDULED  
 • ADJUST AIRFLOW BY MEANS OF ADJUSTABLE BLOWER MOTOR SHEAVE.

- LENNOX FRESH AIR HEATING SETUP WHEN SPECIFIED:**
- INSTALL FRESH AIR TEMPERING KIT WIRING HARNESS AS RECOMMENDED BY LENNOX.
  - LOCATE SUPPLY AIR TEMPERATURE SENSOR IN SUPPLY DUCT DOWNSTREAM OF FIRST ELBOW. SECURE WIRING TO DUCT OR STRUCTURE WITH RUBBER COATED CLAMPS. DO NOT RUN WIRING INSIDE DUCT WORK. PROTECT ALL WIRING PENETRATIONS WITH RUBBER GROMMETS.
  - FOR PRODIGY 2.0 OR CORE UNIT CONTROLLER WITHIN MAIN MENU GO TO SET-UP TO TEST AND BALANCE > DAMPER. FOLLOW MENU PATH SET FRESH AIR HEATING ENABLE TO "YES" SET FAH SETPOINT TO 66F THIS WILL TEMPER SUPPLY AIR BELOW 66F WITH INTERMITTENT HEATING WHEN THERMOSTAT IS NOT ACTIVELY CALLING FOR HEAT.
  - CHANGE PRODIGY 2.0 OR CORE UNIT CONTROLLER PARAMETER #157. WITHIN MAIN MENU GO TO SETTINGS TO RTU OPTIONS TO EDIT PARAMETER VALUE TO 14 FOR A 14F FAH DEADBAND AND SAVE.
  - CHANGE PRODIGY 2.0 OR CORE UNIT CONTROLLER PARAMETER #158. WITHIN MAIN MENU GO TO SETTINGS TO RTU OPTIONS TO EDIT PARAMETER ADJUST VALUE TO 300 SECONDS FOR 5 MINUTE CYCLE TIME AND SAVE.

**4 AIR CURTAIN WIRING DIAGRAM**  
 NOT TO SCALE



**NOTES**

- MECHANICAL CONTRACTOR SHALL MAKE PLASTIC LAMINATE OF THIS DETAIL AND INSTALL PERMANENTLY ON SIDE OF FAN HOUSING.
- PROVIDE PLASTIC ENGRAVED LABEL AT ALL NEW THERMOSTATS WITH 1/4" HIGH WHITE LETTERING ON BLACK BACKGROUND, I.E. "RFR#1 THERMOSTAT". PLACE LABELS ON WALL ADJACENT TO DEVICE, DO NOT APPLY DIRECTLY TO DEVICE.
- PARAMETERS PRESET BY TBCO, BUT MC TO CHECK: SET THERMOSTAT TO 76° F. (FAN SHALL RUN AT 20% WHEN TEMP IS BELOW 76° F AND 100% WHEN TEMP IS ABOVE 80° F. FAN SPEED WILL LINEARLY INCREASE FROM 20% TO 100% AS TEMP INCREASES FROM 76° F TO 80° F.)

**LEGEND**

MC MECHANICAL CONTRACTOR

TBCO TOM BARROW COMPANY

--- 18 AWG MIN LOW VOLTAGE WIRING BY MC.

--- LINE VOLTAGE BY ELECTRICAL CONTACTOR

**5 TECH CLOSET CONTROL DIAGRAM**  
 NOT TO SCALE

Autodesk Docs://FL\_05183\_Fort Walton Beach\_2022\_3\_FSR/05183\_Fort Walton Beach\_MEC.rvt  
 1/17/2023 4:00:35 PM  
 30-LS-05183-M-501-HVAC CONTROLS

1. SECTION C15000 - MECHANICAL SPECIFICATIONS

PART I - GENERAL

1.01 SCOPE

- A. IT IS THE RESPONSIBILITY OF CONTRACTOR TO READ ALL SPECIFICATIONS AND CONSULT ALL DRAWINGS WHICH MAY AFFECT THE INSTALLATION AND COORDINATION OF HIS WORK WITH OTHER TRADES. CONTRACTOR SHALL COORDINATE AND MAKE MINOR ADJUSTMENTS IN LOCATION OF EQUIPMENT AND MATERIALS AS NECESSARY TO SECURE COORDINATION.
- B. COMPLETED INSTALLATION SHALL CONFORM TO ALL APPLICABLE FEDERAL, STATE AND LOCAL CODES AND ORDINANCES, INCLUDING BUT NOT LIMITED TO THE LATEST APPROVED EDITIONS OF NFPA-96, NFPA-90A, NFPA-94, SMACNA, ASHRAE 90.1 AND ASHRAE 62.
- C. SYSTEM LAYOUT IS SCHEMATIC AND EXACT LOCATIONS SHALL BE DETERMINED BY STRUCTURAL CONDITIONS, COORDINATION WITH OTHER TRADES, COORDINATION WITH FINISHES AND OTHER CONDITIONS. STRUCTURAL SUPPORTS SHALL NOT BE CUT OR ALTERED TO ASSURE FIT OF HVAC SYSTEM. TEN FOOT CLEARANCE SHALL BE MAINTAINED BETWEEN OUTSIDE AIR INTAKES AND EXHAUST FANS AND PLUMBING VENT TERMINALS.
- D. CONTRACTOR SHALL BE RESPONSIBLE FOR ALL DEFECTS, REPAIRS AND REPLACEMENTS IN MATERIALS AND WORKMANSHIP FOR A PERIOD OF ONE (1) YEAR AFTER FINAL PAYMENT IS APPROVED. CONTRACTOR SHALL HONOR FACTORY WARRANTIES ON ALL EQUIPMENT PROVIDED AS PART OF THIS SYSTEM.
- E. UPON COMPLETION OF PROJECT, ALL SYSTEM EQUIPMENT AND MATERIALS SHALL BE IN NEW, CLEAN CONDITION WITH ALL DAMAGE RESTORED TO CONDITION ACCEPTABLE TO THE OWNERS REPRESENTATIVE. ALL EQUIPMENT, COMPONENTS, DUCTWORK AND AIR DEVICES SHALL BE INSPECTED, THOROUGHLY CLEANED, CLEARED OF DEBRIS, AND READY FOR USE. AT COMPLETION OF JOB, ALL MISCELLANEOUS TOOLS, SCAFFOLDING, SURPLUS MATERIALS, RUBBISH AND DEBRIS SHALL BE REMOVED BY CONTRACTOR.
- F. CONTRACTOR SHALL PROVIDE TWO SETS OF 2" MERV 8 OR HIGHER THROW AWAY TYPE FILTERS. A CLEAN SET SHALL BE PROVIDED PRIOR TO TEST AND BALANCE AND AGAIN PRIOR TO OPENING.

PART II - PRODUCTS

2.01 HEATING AND COOLING EQUIPMENT (C15730)

- A. FURNISH AND INSTALL R-410A ROOFTOP SINGLE PACKAGE COMBINATION ELECTRIC COOLING AND NATURAL GAS FIRED HEATING UNITS AS SHOWN ON DRAWINGS. EQUIPMENT SHALL BE ARI CERTIFIED AND A.G.A. AND U.L. LISTED.
- B. ACCESSORIES SHALL INCLUDE LOW AND HIGH PRESSURE SAFETIES, CRANK CASE HEATER, OVERCURRENT AND OVERTEMPERATURE SAFETY, COMPRESSOR VIBRATION ISOLATORS, FILTER DRIERS, REFRIGERANT SERVICE VALVES, COIL HAIL GUARDS WHERE SCHEDULED, CONVENIENCE OUTLETS FACTORY INSTALLED ON SCHEDULED UNITS, UNIT MOUNTED NON-FUSED DISCONNECTS, LOW AMBIENT OPERATION DOWN TO 30 DEGREES F AND EVAPORATOR FREEZE STAT.
- C. COMPRESSORS SHALL BE FULLY HERMETIC SCROLL TYPE WITH INTERNAL VIBRATION ISOLATORS. COMPRESSORS SHALL BE PROVIDED WITH A MINIMUM FIVE (5) YEAR FULL WARRANTY.
- D. THE UNIT HEAT EXCHANGERS SHALL BE STEEL WITH ALUMINIZED STEEL COATING. HEATING CONTROLS SHALL CONSIST OF REDUNDANT GAS VALVES, INTERMITTENT PILOT WITH ELECTRONIC SPARK OR HOT PLATE IGNITION SYSTEM, COMBUSTION/EXHAUST FAN PROTECTED BY CENTRIFUGAL SWITCHES, HEAT LIMIT SWITCHES, TIME-DELAY RELAY, FLAME, AND PILOT SENSORS. ALL UNITS SHALL BE CAPABLE OF TWO STAGES OF HEAT. HEAT EXCHANGES SHALL HAVE A TEN (10) YEAR WARRANTY. BURNERS SHALL BE ALUMINIZED IN-SHOT TYPE. THE DRAFT MOTOR SHALL BE MONITORED BY THE CONTROL SYSTEM.
- E. CHICK-FIL-A MAINTAINS A NATIONAL ACCOUNT FOR EQUIPMENT THE MANUFACTURER LISTED. PRICING FOR THE EQUIPMENT HAS BEEN ESTABLISHED IN ADVANCE. CONTACT NATIONAL ACCOUNTS AS NOTED ON THIS SHEET FOR PRICING, ORDERING AND AVAILABILITY.

2.02 DUCTWORK (C15735) (SEE DWG M-301 FOR ADDITIONAL GREASE DUCT SYSTEM REQ.)

- A. ACCEPTABLE MANUFACTURERS OF INSULATION ARE MANVILLE, OWENS CORNING OR KNAUF.
- B. ALL DUCTWORK SHALL BE SHEET METAL, UNLESS NOTED OTHERWISE (U.N.O.).
- C. DUCT DIMENSIONS SHOWN ARE INSIDE CLEAR DIMENSIONS, U.N.O.
- D. CONSTRUCTION OF DUCTWORK SHALL MEET SMACNA 1" W.C. PRESSURE CLASS STANDARD AND RECOMMENDATIONS. SMACNA SHALL BE FOLLOWED WITH RESPECT TO GAGE THICKNESS, JOINTS, REINFORCING, CONSTRUCTION, INSTALLATION AND SUPPORT FOR PRESSURE CLASS STATED. ALL TRANSVERSE JOINTS IN RECTANGULAR AND ROUND DUCT INCLUDING DUCT CONNECTION TO AIR DEVICE COLLAR SHALL BE SEALED PER SMACNA SEAL CLASS C WITH U.L. DUCT MASTIC SEALANT APPROVED FOR INTENDED USE. DUCT TAPE IS NOT AN ACCEPTABLE SUBSTITUTE FOR MASTIC UNLESS EQUAL TO HARDCAST FOIL-GRIP 1402 BUTYL RUBBER ADHESIVE TAPE.
- E. DUCT SHALL BE SUPPORTED AT BASE OF DUCT DROPS. CURB DUCT RAILS ARE NOT INTENDED TO AND SHALL NOT SUPPORT THE WEIGHT OF THE DUCT.
- F. ALL DUCT INSULATION SHALL MEET MINIMUM R-VALUE REQUIRED BY ASHRAE 90.1 LATEST EDITION. ALL DUCT WRAP SHALL BE MINIMUM 2" THICK, 3/4 PCF AND 6 R-VALUE INSTALLED WITH EITHER A VAPOR BARRIER WITH MAXIMUM PERMEANCE 0.05 OR A MINIMUM 2 MIL ALUMINUM REINFORCED FOIL/KRAFF FACING.
- G. ALL DUCT DROPS FROM THE ROOFTOP UNITS SHALL BE EXTERNALLY INSULATED.
- H. SUPPLY AND RETURN AIR DUCTWORK SERVING ALL AREAS SHALL BE EXTERNALLY INSULATED.
- I. ALL AIR CONVEYANCE COMPONENTS SUCH AS, BUT NOT LIMITED TO DUCT, DUCT PLENUMS, GRILLES/DIFFUSERS, BACK PANS, AND BOOTS SHALL BE INSULATED. INSULATION TYPE IS COVERED ELSEWHERE IN THIS SPECIFICATION.
- J. RESTROOM RECTANGULAR EXHAUST AIR DUCTWORK SHALL BE LINED WITH 1" THICK, 1-1/2 PCF INSULATION. RESTROOM ROUND EXHAUST DUCT SHALL BE EXTERNALLY INSULATED PER SECTION 2.02F.
- K. TRUNK DUCTS SHALL BE ISOLATED FROM UNIT VIBRATION WITH THE USE OF NFPA AND U.L. APPROVED FLEXIBLE CONNECTORS INSTALLED AT THE TOP OF BOTH SUPPLY AND RETURN DROPS.
- L. INSULATED FLEXIBLE DUCT MAY BE UTILIZED FOR RUNOUTS TO GRILLES AND DIFFUSERS ONLY IN THE HORIZONTAL POSITION AND IN MAXIMUM LENGTHS OF 4'-0", NO EXCEPTIONS. SEE TAKE-OFF DETAIL ON DRAWING M-401.
- M. CONSTRUCTION OF FLEXIBLE DUCTWORK SHALL INCLUDE SPIRAL METAL HELIX BONDED TO A POLYESTER CORE, FIBERGLASS INSULATION WITH POLYETHYLENE OR MYLAR VAPOR BARRIER. ALL COMPONENTS SHALL HAVE APPROPRIATE U.L. APPROVAL AND SHALL BE EQUIVALENT TO THERMAFLEX MKE.
- N. FLEXIBLE DUCT SHALL BE INSTALLED PER THE "ADC FLEXIBLE DUCT PERFORMANCE AND INSTALLATION STANDARDS, 4TH ED" USING FOIL TAPE AND DRAWBAND ON THE INNER CORE AND TAPE OR DRAWBAND ON THE OUTER JACKET.
- O. DUCT TAPE SHALL BE EQUAL TO FASSON 181-B FX, 2-1/2" WIDE.
- P. SINGLE THICKNESS TURNING VANES SHALL BE INSTALLED AT 90 DEGREE TURNS IN SUPPLY DUCTWORK WHERE ANY ONE DIMENSION IS GREATER THAN 12".
- Q. RADIUS OF ELBOWS MAY BE SUBSTITUTED FOR 90 DEGREE ELBOWS AT THE DISCRETION OF THE CONTRACTOR. CENTERLINE RADIUS EQUAL TO R-W PER FIGURE NO. 4-2 IN SMACNA HVAC DUCT CONSTRUCTION STANDARDS.
- R. EXTERNAL INSULATION ON BOTTOM OF DUCTS 24" OR WIDER SHALL BE SUPPORTED WITH STICK PINS ON 18" CENTERS. STICK PIN WASHERS SHALL BE COVERED WITH DUCT TAPE OR MASTIC.

2.03 CONTROLS (C15735)

- A. SYSTEMS SHALL BE COMPLETE WITH CONNECTIONS TO CFA-500 TEMPERATURE CONTROL PANEL AS MANUFACTURED BY SUNCOAST ENVIRONMENTAL CONTROLS (S.E.C.) (PH: 877-544-6679). UNITS IS PROVIDED AND MOUNTED BY THE ELECTRICAL CONTRACTOR. CONTROL WIRING TERMINATIONS ARE BY THE MECHANICAL CONTRACTOR.
- B. THE SMOKE DETECTORS SHALL BE FACTORY INSTALLED AND WIRED BY THE ROOFTOP UNIT MANUFACTURER.
- C. A FACTORY INSTALLED SMOKE DETECTOR IN THE SUPPLY AND RETURN AIR SECTION OF EACH AIR CONDITIONING UNIT SHALL STOP THE INDOOR FAN AND CLOSE THE OUTSIDE AIR DAMPER IN THE EVENT OF EXCESSIVE TEMPERATURE OR SMOKE. SMOKE DETECTORS SHALL BE LOCATED PRIOR TO ANY EXHAUST FROM THE BUILDING OR MIXING WITH FRESH AIR MAKE-UP. UPON DETECTION, THE SYSTEM SHALL NOT RESTART UNTIL THE DEVICE IS MANUALLY RESET. DEVICES SHALL BE LOCATED WHERE THEY CAN BE EASILY ACCESSED AND WHERE CLEAR OF FILTERS.
- D. CHICK-FIL-A HAS A NATIONAL ACCOUNT WITH SUNCOAST ENVIRONMENTAL CONTROLS FOR THE SMOKE DETECTOR TEST/RESET ANNUNCIATOR STATIONS. THE TEST/RESET STATIONS WILL BE PURCHASED BY THE ELECTRICAL CONTRACTOR AS A PART OF A NATIONAL ACCOUNT PACKAGE AND TURNED OVER TO THE MECHANICAL CONTRACTOR FOR INSTALLATION.
- E. THE REMOTE TEST/RESET ANNUNCIATORS SHALL BE PROVIDED BY THE ELECTRICAL CONTRACTOR AND INSTALLED BY THE MECHANICAL CONTRACTOR. INSTALLATION BY MECHANICAL SHALL INCLUDE MOUNTING OF THE ANNUNCIATORS AND ALL WIRING FROM EACH DEVICE TO THE RTU. ELECTRICAL WILL PROVIDE A JUNCTION BOX IN THE WALL WITH 1/2" CONDUIT STUBBED UP ABOVE THE CEILING FOR EACH REMOTE TEST STATION AS SHOWN ON THE ELECTRICAL PLANS. ANNUNCIATOR SHALL BE SUNCOAST CONTROLS REMOTE TEST/RESET STATION WITH POWER LED, TROUBLE LED, ALARM LED, 90DB HORN AND TEST/RESET BUTTON.
- F. THE RESTROOM FAN SHALL BE INTERLOCKED TO THE LIGHTS SERVING THE MEN AND WOMEN'S RESTROOMS. THE HOOD FANS SHALL BE CONTROLLED VIA THE SUNCOAST CFA-500 CONTROL PANEL. WIRING, RELAYS AND SWITCHES FOR CONTROL OF ALL FANS ARE BY ELECTRICAL CONTRACTOR.
- G. ROOFTOP UNITS - THERMOSTATS ARE PROVIDED AND INTEGRATED INTO THE TEMPERATURE CONTROL PANEL BY SUNCOAST ENVIRONMENTAL CONTROLS. SUNCOAST WILL PROVIDE A NETWORK THERMOSTAT US32-CFA THERMOSTAT PRE-WIRED IN THE TEMPERATURE CONTROL PANEL. A REMOTE TEMPERATURE SENSOR FOR EACH THERMOSTAT IS ALSO PROVIDED. MECHANICAL CONTRACTOR SHALL INSTALL ALL WIRING BETWEEN THE THERMOSTAT, THE REMOTE SENSOR AND THE ROOFTOP UNIT.
- H. MECHANICAL CONTRACTOR SHALL INSTALL CONTROL WIRING IN 1/2" CONDUIT WHERE REQUIRED BY CODE. WHERE NOT REQUIRED TO BE IN CONDUIT, ALL WIRING SHALL BE RUN PARALLEL TO STRUCTURAL MEMBERS OR PERPENDICULAR WITH NO DIAGONAL ROUTING. ALL WIRING SHALL BE SECURED TO THE FRAMING TO PREVENT SAGGING IN RUNS. WIRING TO ROOFTOP UNITS SHALL BE Routed THROUGH THE FACTORY THRU-BASE FITTING IN THE UNIT BASE. NO SPLICING OF WIRING WILL BE ACCEPTED. ALL WIRING ABOVE THE ROOF SHALL BE INSTALLED IN EXTERIOR GRADE FLEXIBLE CONDUIT. ALL CONTROL WIRING AND CONTROL WIRING CONDUIT SHALL BE FURNISHED AND INSTALLED BY THE MECHANICAL CONTRACTOR. WIRING SHALL BE INSTALLED IN ACCORDANCE WITH LATEST EDITION OF NEC. ALL LOW VOLTAGE CONTROL WIRING SHALL BE NO LESS THAN 18 AWG MIN. CONTROL WIRING CONDUCTORS SHALL BE SIZED TO ACCOUNT FOR LOAD AND LENGTH OF RUN TO ALLOW SUFFICIENT VOLTAGE AVAILABLE AT CONTROLLED DEVICE TO OPERATE THE SYSTEM RELIABLY.

PART III - EXECUTION

3.01 SCOPE

- A. FURNISH AND INSTALL SYSTEM IN ACCORDANCE WITH REFERENCED STANDARDS, APPLICABLE CODES, MANUFACTURER'S RECOMMENDATIONS AND AS INDICATED ON DRAWINGS.
  - B. CONTRACTOR SHALL INSTRUCT THE OWNER'S REPRESENTATIVE IN ALL MATTERS PERTAINING TO THE PROPER MAINTENANCE OF EQUIPMENT FURNISHED UNDER THIS CONTRACT THROUGH DEMONSTRATION AND EXPLANATION OF OPERATING & MAINTENANCE MANUALS.
  - C. CONTRACTOR SHALL PROVIDE A "SAMPLE MAINTENANCE PROPOSAL" TO THE OWNER'S REPRESENTATIVE IN ALL MATTERS PERTAINING TO THE PROPER MAINTENANCE OF EQUIPMENT FURNISHED UNDER THIS CONTRACT.
  - D. CONTRACTOR SHALL COMPLETE A/C EQUIPMENT STARTUP DOCUMENTATION PROVIDED BY OWNER AND/OR MANUFACTURER. THIS SHALL INCLUDE RE-TORQUE OF ALL FIELD AND FACTORY HIGH VOLTAGE CONNECTIONS.
- 3.02 LEED PROJECTS
- A. CONTRACTOR SHALL COMPLETE RECEIPT INSPECTION CHECKLISTS PROVIDED IN THE COMMISSIONING PLAN WITHIN 5 DAYS OF RECEIVING EQUIPMENT ON SITE.
  - B. CONTRACTOR SHALL COMPLETE PRE-FUNCTIONAL CHECKLISTS PROVIDED IN THE COMMISSIONING PLAN. CHECKLISTS SHALL BE RETURNED AT LEAST 5 DAYS PRIOR TO SCHEDULING FUNCTIONAL PERFORMANCE TESTING.
  - C. CONTRACTOR SHALL PROVIDE A TECHNICIAN TO ASSIST THE THIRD PARTY COMMISSIONING AUTHORITY WITH FUNCTIONAL TESTING. FUNCTIONAL TESTING SHALL OCCUR AFTER ALL CONTROLS HAVE BEEN INSTALLED AND VERIFIED AND AFTER TEST AND BALANCE IS COMPLETE. THE FUNCTIONAL PERFORMANCE TEST PROCEDURES CAN BE FOUND IN THE COMMISSIONING PLAN.
  - D. IF THE TOTAL TIME REQUIRED TO CORRECT PROBLEMS DURING TESTING IS GREATER THAN FORTY-FIVE (45) MINUTES (UNLESS EXTENUATING CIRCUMSTANCES EXIST), THE TEST SHALL BE CONSIDERED FAILED AND MUST BE REPEATED IN ITS ENTIRETY.
  - E. RE-TESTING: DURING THE COURSE OF THE RETEST, IF AT ANY POINT A MAJOR DEFICIENCY IS DISCOVERED, THE TEST WILL BE STOPPED. REPEAT TESTS UNTIL ACCEPTABLE RESULTS ARE ACHIEVED. IF MORE THAN TWO FUNCTIONAL PERFORMANCE TESTS (ONE INITIAL TEST AND ONE RETEST) FOR ANY TYPE OF EQUIPMENT DUE TO ISSUES THAT THE CONTRACTOR HAD DIRECT OR INDIRECT CONTROL OVER ARE REQUIRED, THE COSTS FOR THE CXA TO WITNESS RETESTING OF SIMILAR TYPES OF EQUIPMENT UNTIL SATISFACTORY RESULTS ARE OBTAINED SHALL BE THE RESPONSIBILITY OF THE CONTRACTOR.
- 3.03 TEST & BALANCE
- A. OWNER SHALL TEST AND BALANCE MECHANICAL SYSTEM IN ACCORDANCE WITH NEBB, NBC OR AABC STANDARDS TO ASSURE CONFORMANCE WITH DESIGN. G.C. WILL MAKE MECHANICAL CONTRACTOR AVAILABLE DURING TEST AND BALANCE TO ASSIST TESTING AGENCY AND TO MAKE CORRECTIONS IMMEDIATELY NECESSARY. CONTRACTOR SHALL CORRECT ITEMS ON WRITTEN TEST AND BALANCE REPORT.
  - B. ALL EQUIPMENT TO BE BALANCED MUST HAVE GONE THRU SUCCESSFUL START-UP PROCEDURE BY THE MECHANICAL CONTRACTOR (MC) PRIOR TO TAB VISIT.
  - C. THE FLOOR OF THE RESTAURANT SHALL BE CLEARED OF DEBRIS, STAGED CONSTRUCTION MATERIALS, EQUIPMENT, ETC. WHICH MAY, IN THE OPINION OF THE TAB TECHNICIAN, OBSTRUCT ACCESS TO AIR DISTRIBUTION COMPONENTS IN AND ABOVE THE CEILING.
  - D. EQUIPMENT ACCESS PANELS, DUCT AIR DEVICES SUCH AS BALANCING DAMPERS AND ACTUATORS SHALL BE ACCESSIBLE AND CLEAR OF PIPING, CONDUIT, FRAMING, SUPPORTS ETC...
  - E. PROVIDE AN 8 FT PORTABLE A-FRAME STYLE LADDER DEDICATED FOR THE TAB TECHNICIAN'S USE DURING THE ENTIRE TAB EFFORT DURATION.
  - F. THE MC SHALL BE AVAILABLE DURING THE ENTIRE DURATION OF THE TAB EFFORT AND HAVE ON-SITE RESOURCES AND TO MAKE CORRECTIONS AS NEEDED UNDER THE DIRECTION OF THE TAB TECHNICIAN.

VENTILATION CALCULATIONS					
ZONE	PEOPLE OUTDOOR AIR RATE (Rp)	ZONE POPULATION (Pz)	AREA OUTDOOR AIR RATE (Ra)	ZONE FLOOR AREA (Az)	OUTDOOR AIRFLOW RATE REQ'D (Vbz)
CORRIDOR (ENTRYWAYS)	--	--	0.06	195	12
SALES (SERVING AREA)	7.5	11	0.12	756	173
SALES (DINING AREA)	7.5	7	0.12	490	111
DINING (CAFETERIA, FAST FOOD)	7.5	89	0.18	891	828
OFFICE	5	1	0.06	66	9
STORAGE	--	--	0.12	247	30
TEAM MEMBER (RECEPTION)	5	5	0.06	171	35
KITCHEN	7.5	25	0.12	1256	338
ZONE 1 - KITCHEN = 338 CFM. $338 \text{ CFM (Vbz)} / 0.8 = 423 \text{ CFM (Voz)}$ AC#1 PROVIDES 1,750 CFM OUTSIDE AIR TO ZONE 1. ZONE 2 - SALES (SERVING AREA) = 173 CFM. $173 \text{ CFM (Vbz)} / 0.8 = 216 \text{ CFM (Voz)}$ AC#2 PROVIDES 1,150 CFM OUTSIDE AIR TO ZONE 2. ZONE 3 - DINING + CORRIDORS + SALES (DINING AREA) = 951 CFM. $951 \text{ CFM (Vbz)} / 0.8 = 1,189 \text{ CFM (Voz)}$ AC#3 PROVIDES 1,250 CFM OUTSIDE AIR TO ZONE 3. ZONE 4 - TEAM MEMBER (RECEPTION) + STORAGE + OFFICE = 74 CFM. $74 \text{ CFM (Vbz)} / 0.8 = 93 \text{ CFM (Voz)}$ AC#4 PROVIDES 500 CFM OUTSIDE AIR TO ZONE 4. KITCHEN IS 1,256 SQUARE FEET. AT 0.70 CFM EXHAUST REQUIRED PER SQ. FT. KITCHEN IS REQUIRED TO EXHAUST 879 CFM. KITCHEN EXHAUSTS 3,315 CFM. CALCULATIONS ARE BASED ON TABLE 403.3.3.1, 2020 FLORIDA BUILDING CODE - MECHANICAL. (FOR OA RATE: Vbz = RpAz + RaAz    FOR ZONE OA RATE: Voz = Vbz/0.8)					

NATIONAL ACCOUNTS	
1.	LENNOX EQUIPMENT - CONTACT LENNOX NATIONAL ACCOUNTS AT 972-497-6260 (OR BY FAX AT 972-497-5112) FOR PRICING, ORDERING AND AVAILABILITY. LENNOX EQUIPMENT NOT PURCHASED THRU LENNOX NATIONAL ACCOUNTS WILL NOT BE ACCEPTED.
2.	LOREN COOK FAN AND CURB PACKAGE - THE MECHANICAL CONTRACTOR IS REQUIRED TO PURCHASE THE FAN/CURB PACKAGE DIRECTLY FROM TOM BARROW COMPANY. CONTACT MR. SCOTT GEORGE AT 404-351-1010 FOR PRICING AND AVAILABILITY. FANS AND CURBS NOT PURCHASED THRU TOM BARROW COMPANY WILL NOT BE ACCEPTED.
3.	PRICE AIR DEVICES - THE MECHANICAL CONTRACTOR IS REQUIRED TO PURCHASE THE AIR DEVICES DIRECTLY FROM TOM BARROW COMPANY. CONTACT MR. SCOTT GEORGE AT 404-351-1010 FOR PRICING AND AVAILABILITY. AIR DEVICES NOT PURCHASED THRU TOM BARROW COMPANY WILL NOT BE ACCEPTED.
4.	AIR DOORS - THE MECHANICAL CONTRACTOR IS REQUIRED TO PURCHASE THE AIR DOORS DIRECTLY FROM TOM BARROW COMPANY. CONTACT MR. SCOTT GEORGE AT 404-351-1010 FOR PRICING AND AVAILABILITY. AIR DOORS NOT PURCHASED THRU TOM BARROW COMPANY WILL NOT BE ACCEPTED.
5.	SUNCOAST ENVIRONMENTAL CONTROLS - THE CFA 500 PANEL AND THE TEST/RESET STATIONS WILL BE PURCHASED AND PROVIDED BY THE ELECTRICAL CONTRACTOR AS A PART OF A NATIONAL ACCOUNT PACKAGE. SEE PART II PARAGRAPH 3A, 3D, AND 3E OF THE MECHANICAL SPECIFICATIONS FOR MORE INFORMATION.
6.	HALTON HOODS - CHICK-FIL-A WILL PURCHASE AND PROVIDE THE HOODS FOR INSTALLATION BY THE MECHANICAL CONTRACTOR. THE MECHANICAL CONTRACTOR SHALL BE RESPONSIBLE FOR RECEIVING THE HOODS. CONTACT HALTON CO. AT 270-237-5600 FOR MORE INFO.
7.	ROYAL METAL PRODUCTS START COLLARS - THE MECHANICAL CONTRACTOR IS REQUIRED TO PURCHASE THE START COLLARS DIRECTLY FROM TOM BARROW COMPANY. CONTACT MR. SCOTT GEORGE AT 404-351-1010 FOR PRICING AND AVAILABILITY. START COLLARS NOT PURCHASED THRU TOM BARROW COMPANY WILL NOT BE ACCEPTED.

Autodesk Docs://FL\_05183\_Fort Walton Beach\_2022\_3\_FSR/05183\_Fort Walton Beach\_MEC.rvt  
 1/17/2023 4:00:36 PM  
 3D-LS-05183-M-301-MECHANICAL SPECIFICATIONS



**Chick-fil-A**  
 5200 Buffington Road  
 Atlanta, Georgia  
 30349-2998

**Kurzynske & Associates**  
 2705 Lebanon Pike - Suite One  
 Nashville, Tennessee 37214  
 Telephone: (615) 255-5203



**CHICK-FIL-A**  
 FORT WALTON BEACH  
 122 EGLIN PKWY NE  
 FT WALTON BEACH, FL 32548

**FSR#05183**  
 BUILDING TYPE / SIZE: P14 LS LRG  
 RELEASE: 22.08

CONSTRUCTION REVISION SCHEDULE		
NO.	DATE	DESCRIPTION

CONSULTANT PROJECT # 22098.CC.S  
 DATE 10/17/2022  
 DRAWN BY BLM

Information contained on this drawing and all digital files produced for above named project may not be reproduced in any manner without express written or verbal consent from authorized project representatives.

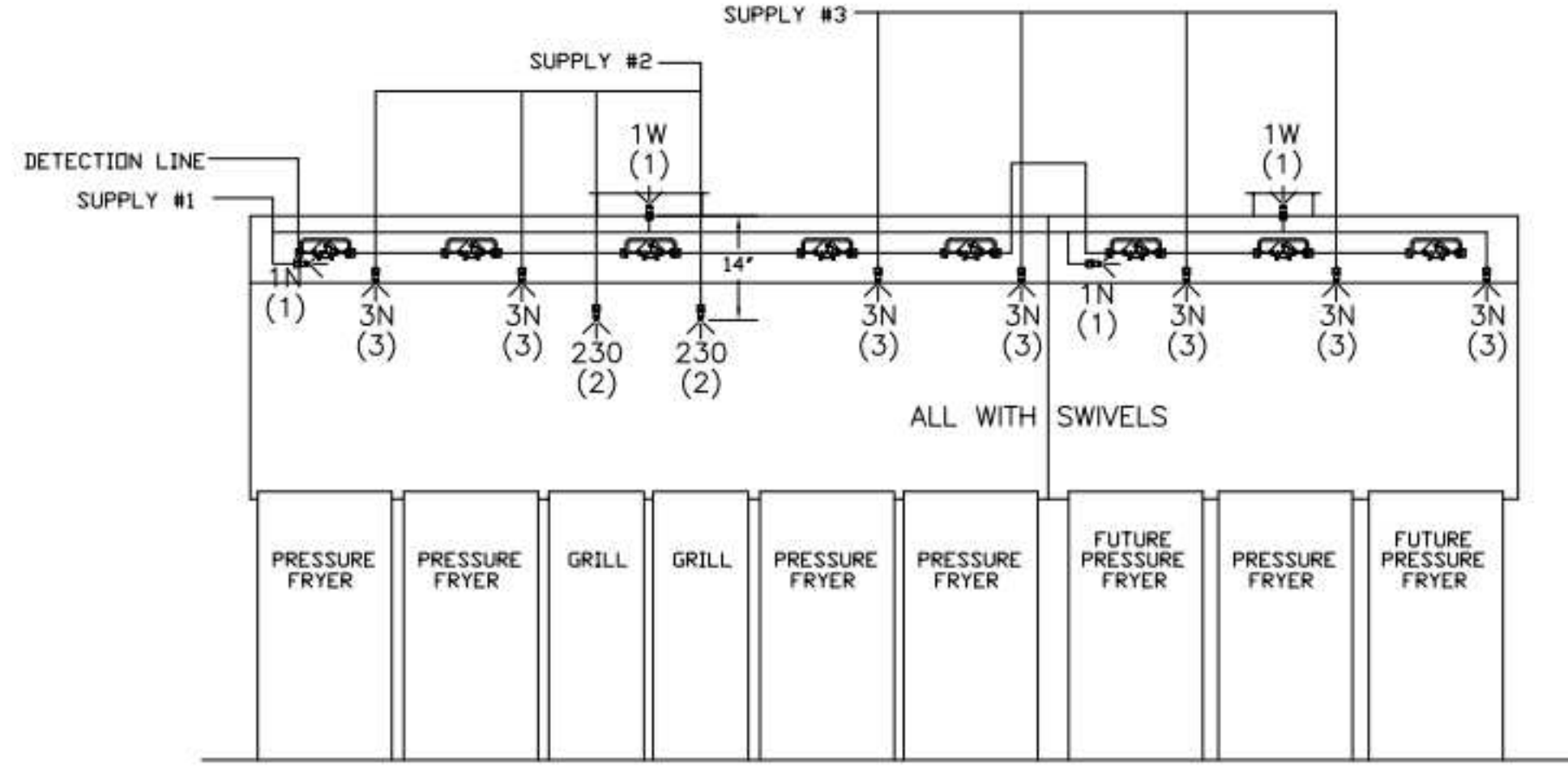
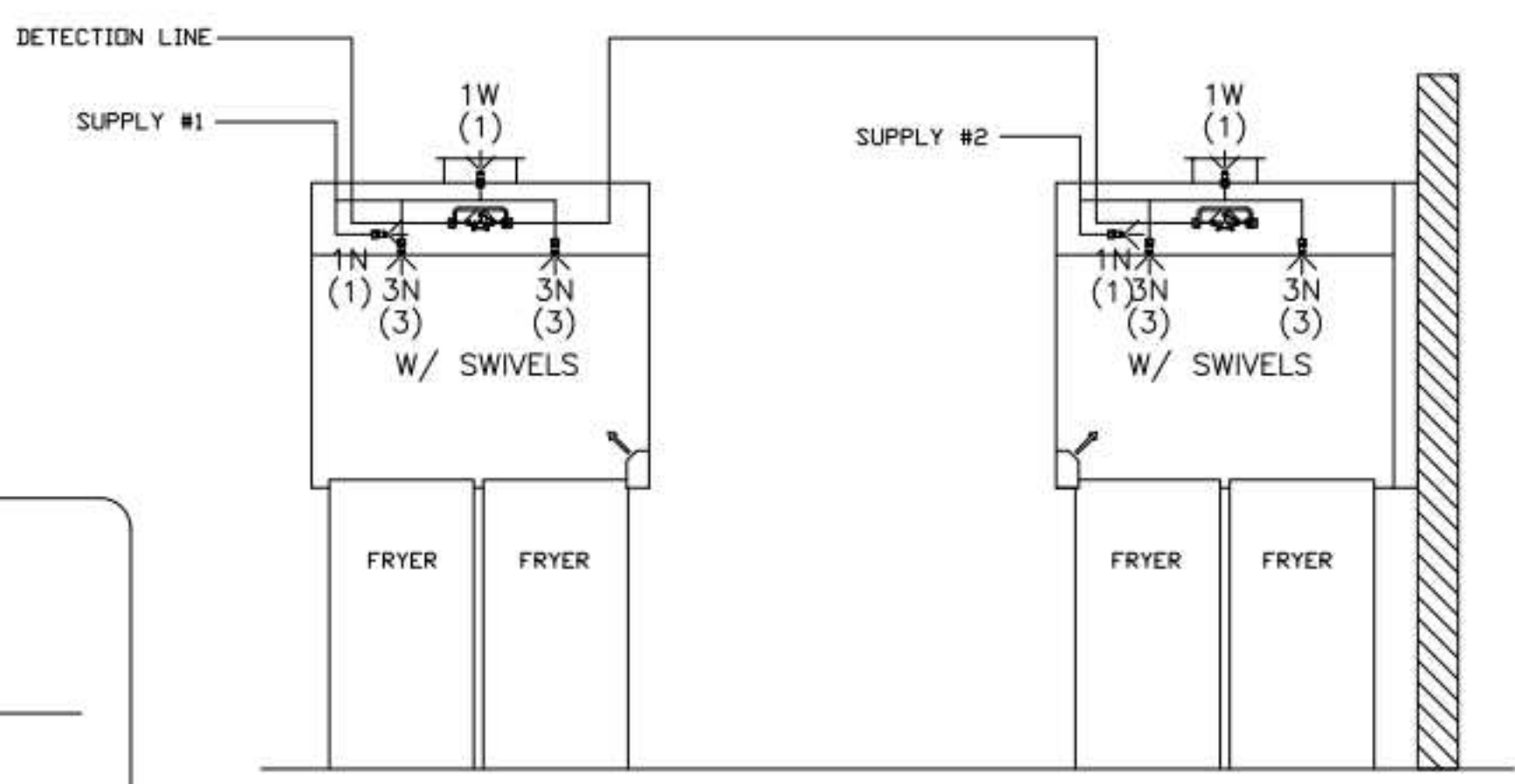
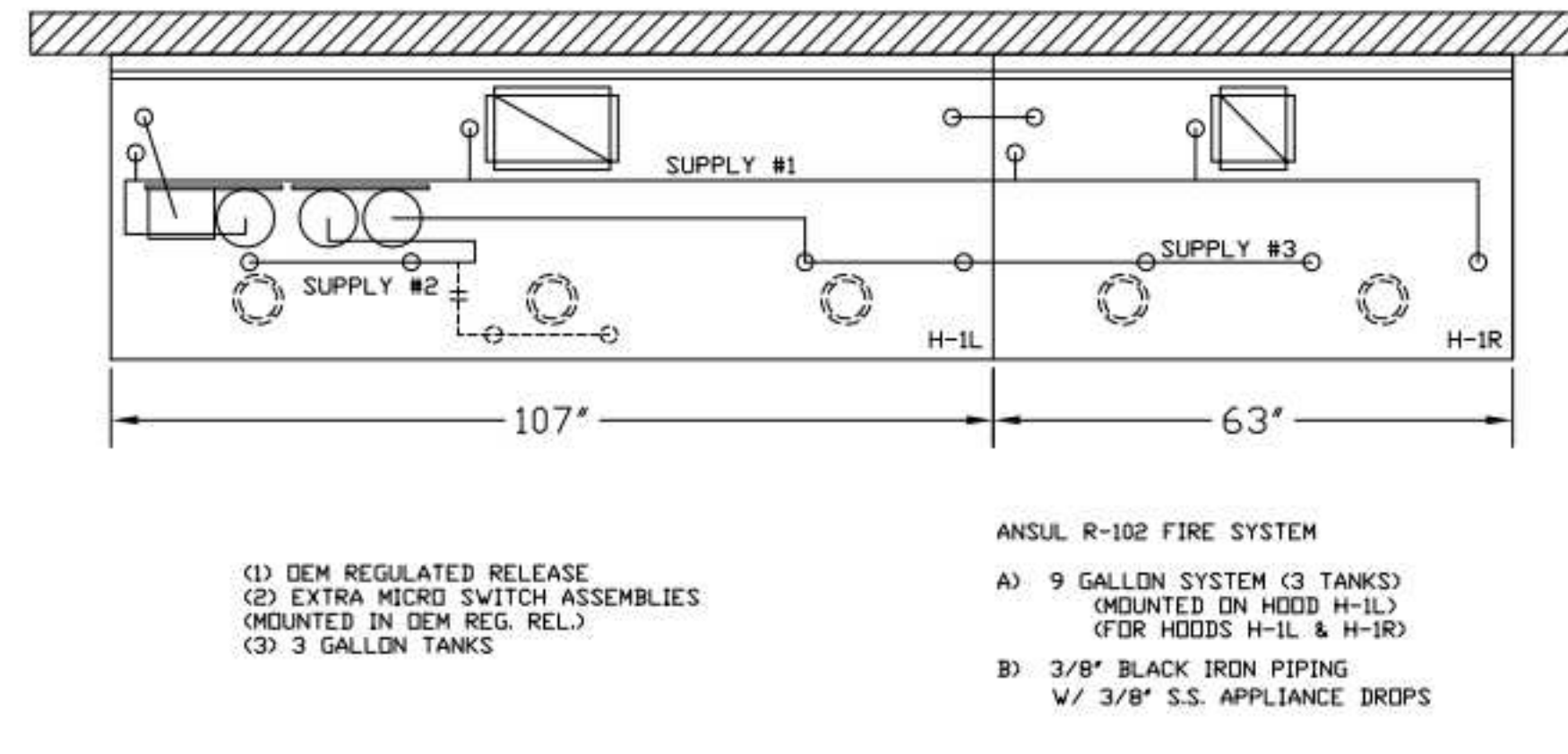
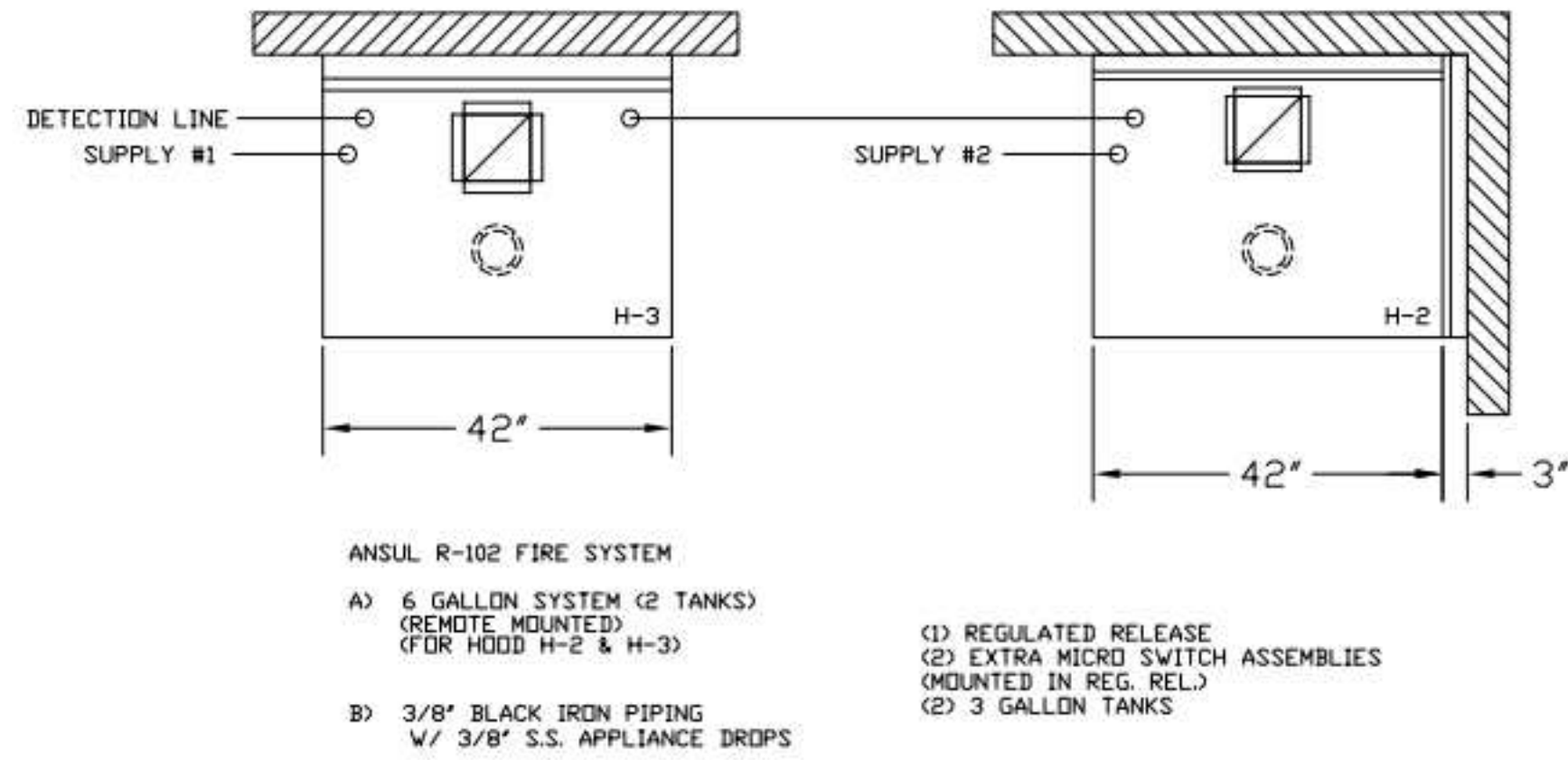
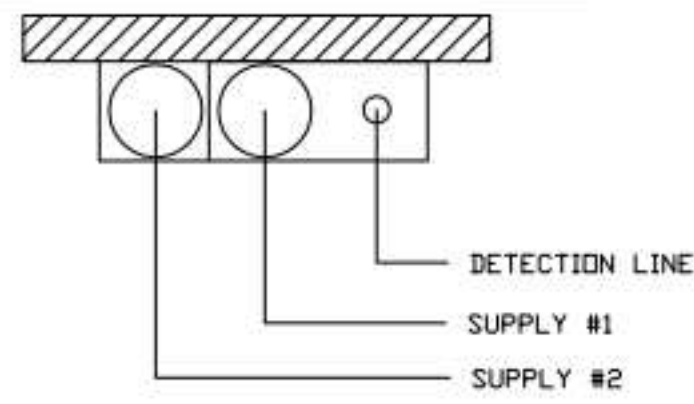
SHEET  
 MECHANICAL SPECIFICATIONS

SHEET NUMBER  
**M-901**

**NOTE:**

FIRE SYSTEM TYPE TO BE DETERMINED AT TIME OF ORDER RELEASE.

**\*\*PROTECTS HOODS H-2 & H-3\*\***  
 REMOTE MOUNTED:  
 (1) REGULATED RELEASE (WITH ONE TANK)  
 (1) SINGLE TANK ENCLOSURE (WITH ONE TANK)



FUSIBLE LINK RATINGS

ITEM	TEMP
OPEN FRYERS	450°
2 BURNER / FLAT TOP	450°
PRESSURE FRYERS	450°
GRILL	450°
EXHAUST COLLARS	450°

ANSUL R-102 FIRE SYSTEM NOTES  
 THREE TANK SYSTEM MOUNTED ON TOP OF (H-1L)  
 MAXIMUM FLOW POINTS = 33

ANSUL R-102 FIRE SYSTEM NOTES  
 TWO TANK SYSTEM REMOTE MOUNTED  
 MAXIMUM FLOW POINTS = 22

ITEM #	QTY	DESCRIPTION	FLOW PTS (TOTAL)
1W	4	DUCT NOZZLES	4
1N	4	PLENUM NOZZLES	4
230	2	APPLIANCE NOZZLES	4
3N	11	APPLIANCE NOZZLES	33
<b>TOTAL FLOW POINTS - 45</b>			

ITEM #	QTY	DESCRIPTION
#200	8	SERIES DETECTORS W/ FUSIBLE LINKS
#201	2	TERMINAL DETECTOR W/ FUSIBLE LINKS
#202	1	DEM REGULATED RELEASE W/ DOUBLE POLE MICRO SWITCH
#202	1	REGULATED RELEASE W/ DOUBLE POLE MICRO SWITCH
#203	5	3 GALLON TANKS
#204	1	SINGLE TANK ENCLOSURE
#205	2	REMOTE PULL STATION

ANSUL R-102 FIRE SYSTEM  
 UL LISTED PER STD LATEST STD 300  
 1. FINAL INSTALLATION IS TO BE MADE IN ACCORDANCE WITH ALL APPLICABLE CODES  
 2. ALL ELECTRICAL COMPONENTS FOR EQUIPMENT SHUT DOWN TO BE PROVIDED BY THE ELECTRICIAN. MICRO-SWITCH INSTALLED IN REGULATED RELEASE BY ANSUL INSTALLER  
 3. REMOTE PULL STATION LOCATED PER MECHANICAL DRAWINGS

**FIRE EXTINGUISHER**

ISO VIEW W/BACKET

5 LBS. ABC MODEL B402 QTY: \_\_\_\_\_

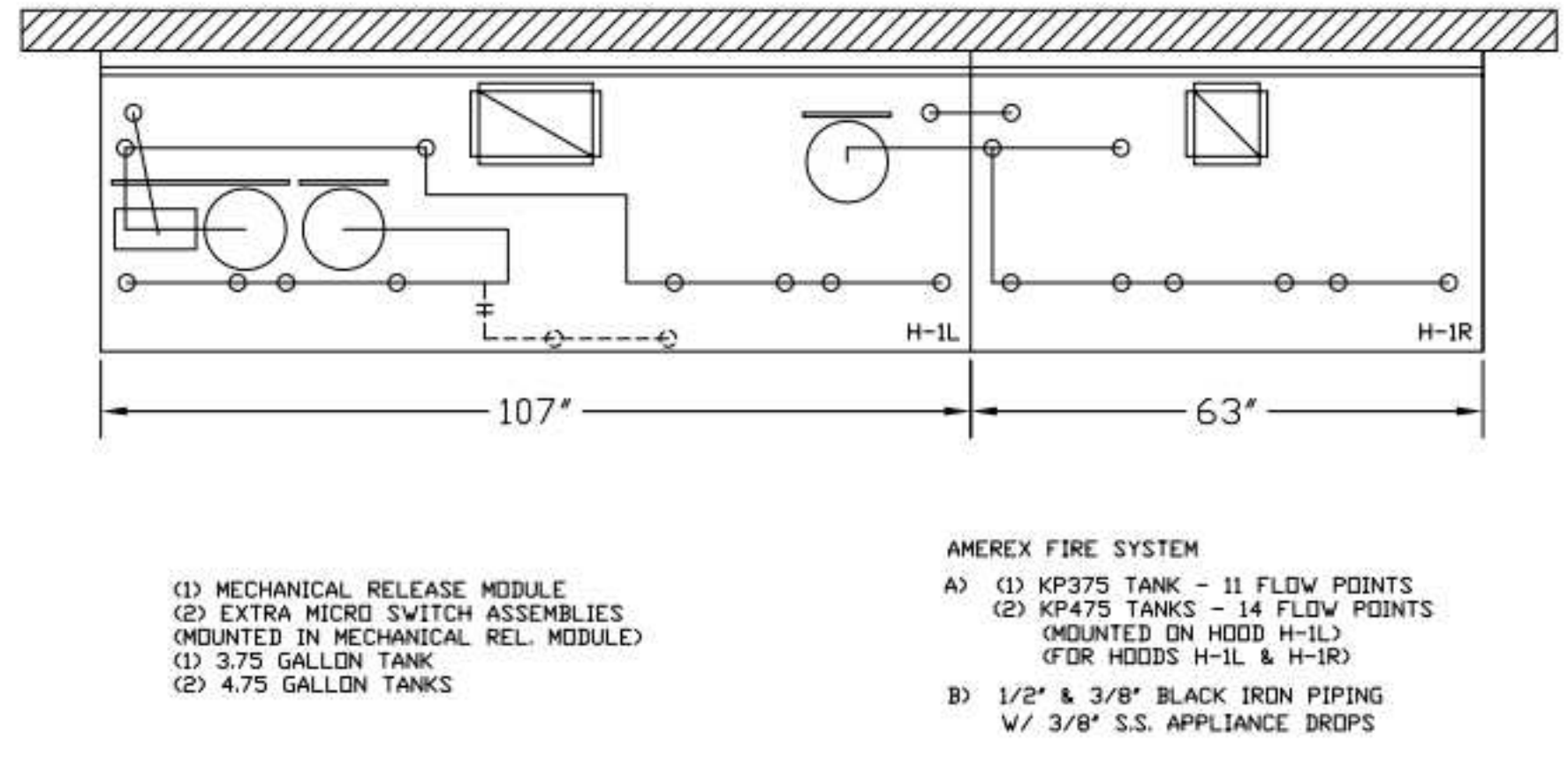
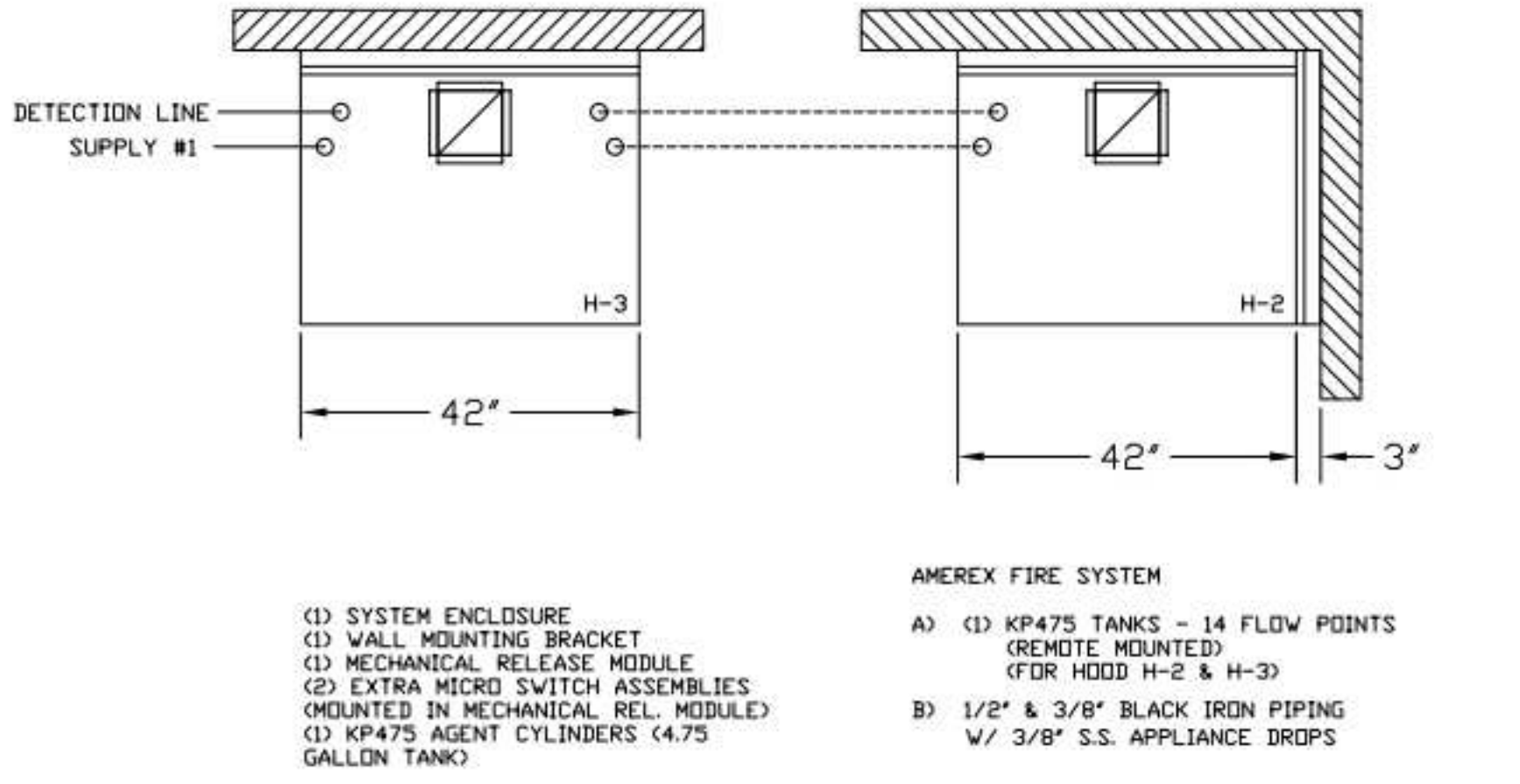
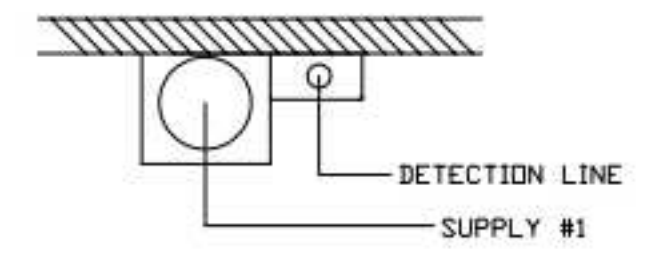
10 LBS. ABC MODEL B456 QTY: \_\_\_\_\_

6 LTR CLASS K MODEL C-260 QTY: \_\_\_\_\_

SUPPLIED BY HALTON

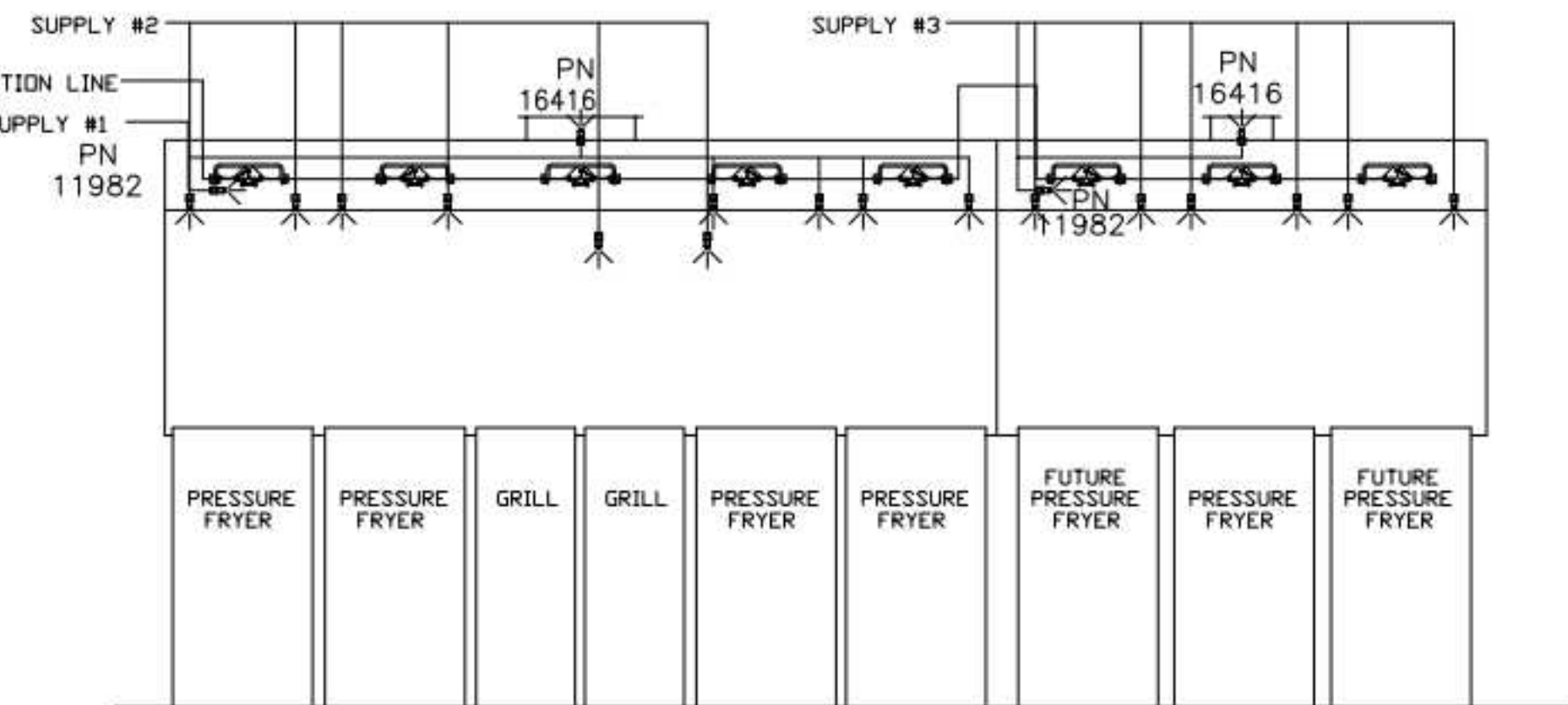
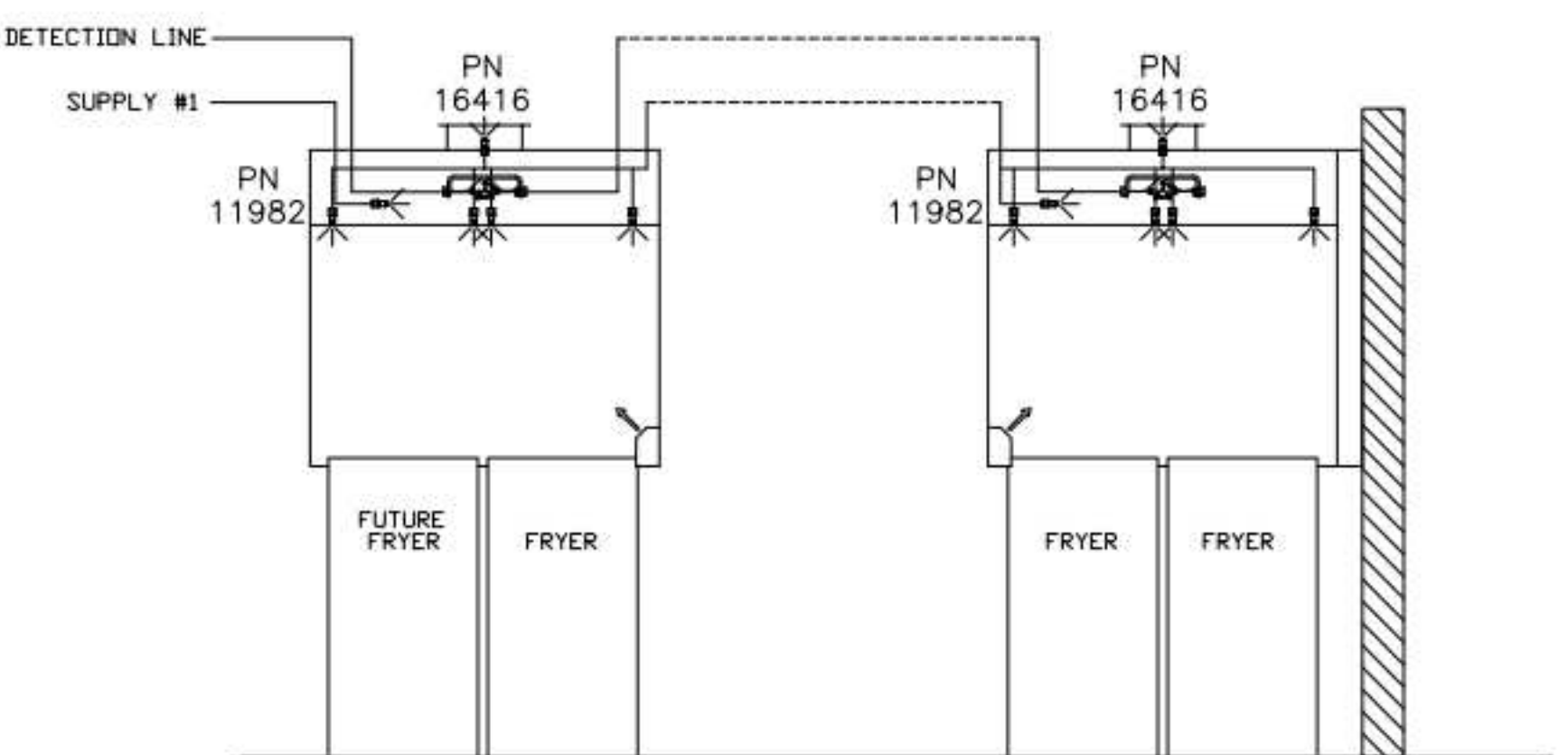
1/2" BLACK IRON SUPPLY LINE REQ'D FROM TANK TO FIRST BRANCH LINE FOR 475 TANKS ONLY!

**\*\*PROTECTS HOODS H-2 & H-3\*\***  
 REMOTE MOUNTED:  
 (1) SYSTEM ENCLOSURE  
 (1) WALL MOUNTING BRACKET  
 (1) MECHANICAL RELEASE MODULE  
 (1) KP475 AGENT CYLINDER (4.75 GALLON TANK)



ALL APPLIANCE NOZZLES FOR H-2 & H-3 ARE PN 11982 NOZZLES W/ SWIVELS.

ALL APPLIANCE NOZZLES FOR PRESSURE FRYERS ARE PN 13729 NOZZLES W/ SWIVELS. ALL GRILL NOZZLES ARE 14178 NOZZLES W/ SWIVELS.



FUSIBLE LINK RATINGS

ITEM	TEMP
OPEN FRYERS	450°
2 BURNER / FLAT TOP	450°
PRESSURE FRYERS	450°
GRILL	450°
EXHAUST COLLARS	450°

AMEREX FIRE SYSTEM NOTES  
 (1) KP375 & (2) KP475 TANK SYSTEM MOUNTED ON TOP OF (H-1L)  
 MAXIMUM FLOW POINTS = 39

AMEREX FIRE SYSTEM NOTES  
 KP475 TANK SYSTEM REMOTE MOUNTED  
 (1) TANK  
 MAXIMUM FLOW POINTS = 14

ITEM #	QTY	DESCRIPTION	FLOW PTS (TOTAL)
16416	4	DUCT NOZZLES	4
11982	4	PLENUM NOZZLES	4
11982	8	APPLIANCE NOZZLES	8
14178	2	APPLIANCE NOZZLES	4
13729	14	APPLIANCE NOZZLES	28
<b>TOTAL FLOW POINTS - 48</b>			

ITEM #	QTY	DESCRIPTION
12508-P001	10	DETECTOR BRACKET ASSEMBLY
13334	1	KP375 AGENT CYLINDER
17379	3	KP475 AGENT CYLINDER
18001	1	MECHANICAL RELEASE MODULE W/ DOUBLE POLE MICRO SWITCH
25851	1	SYSTEM ENCLOSURE W/ DOUBLE POLE MICRO SWITCH
16920	1	WALL MOUNTING BRACKET
21481	3	REMOTE MANUAL PULL STATION

AMEREX FIRE SYSTEM  
 TESTED & LISTED BY UNDERWRITERS LABORATORIES, INC. TO UL STANDARD 300.  
 1. FINAL INSTALLATION IS TO BE MADE IN ACCORDANCE WITH ALL APPLICABLE CODES  
 2. ALL ELECTRICAL COMPONENTS FOR EQUIPMENT SHUT DOWN TO BE PROVIDED BY THE ELECTRICIAN. MICRO-SWITCH INSTALLED IN REGULATED RELEASE BY AMEREX INSTALLER  
 3. REMOTE PULL STATION LOCATED PER MECHANICAL DRAWINGS



THIS DRAWING MUST BE CHECKED, SIGNED AND RETURNED TO THE APPROPRIATE FACTORY. PLEASE VERIFY THE FOLLOWING:  
 1. ALL DIMENSIONAL INFORMATION, MOUNTING POSITIONS  
 2. THE LOCATION AND TYPE OF COOKING EQUIPMENT.  
 NOTE TO APPROVER: ANY CHANGES IN COOKING EQUIPMENT SUCH AS INCREASED ENERGY INPUTS OR EQUIPMENT POSITION MAY AFFECT EXHAUST AIRFLOW. HALTON MUST BE NOTIFIED IF ANY OF THESE CHANGES OCCUR. A RECALCULATION EXHAUST AIRFLOW MAY BE REQUIRED.  
 REVISE AND RESUBMIT  
 APPROVED FOR FABRICATION  
 WITH NO CHANGES  
 WITH CHANGES AS NOTED



REV.	DATE	BY
1		
2		
3		
4		
5		
6		
7		

WEBSITE: WWW.HALTON.COM  
 HALTON CO. (USA)  
 101 INDUSTRIAL DRIVE  
 SCOTTSDALE, KY 42164  
 1-270-237-9600

MAIL APPROVED DRAWINGS TO APPROPRIATE FACTORY BELOW:  
 HALTON CO. (CANADA)  
 1021 BREVK PLACE 3R7  
 MISSISSAUGA, ON L4W 1L9  
 1-905-624-0301

PROJECT: CHICK-FIL-A P14  
 LS/LE/SE/DTO/DTN BUILDING  
 LOCATION: ---  
 DRAWN BY: CG DATE: 08.09.22  
 SCALE: NTS  
 Halton Dwg: U:22-606-02FS

Sheet MH-1.2