



RICHARD STANLEY
 LICENSE NO. 44010
 EXP. DATE: 12/31/22
CINTECH
 CONSTRUCTION
 9121/2322
 Steve Michaels
 Email

SCALE	AS NOTED
DATE	2-21-21
DRAWN	JHS
FILE	600

REVISION	DESCRIPTION

RSL COMMERCIAL ARCHITECTURE
5877 Rockwell Road Cincinnati, OH 45236 513-883-9900 (local) www.rslarch.com

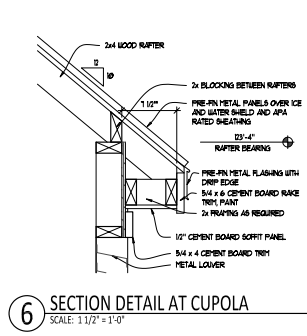
Kings Island
 Cedar Fair Entertainment Company



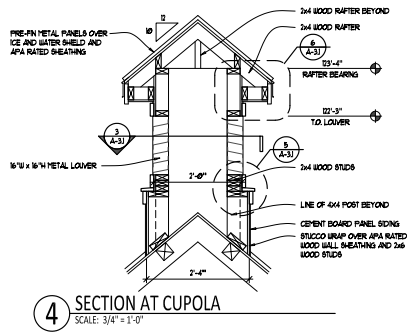
BUILDING SECTIONS
2022 COCONUT COVE

SHEET NO.
A-3.1
 10 of 16

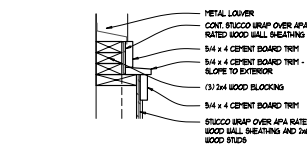
RSL #221177



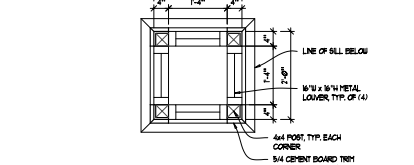
6 SECTION DETAIL AT CUPOLA
 SCALE: 1 1/2" = 1'-0"



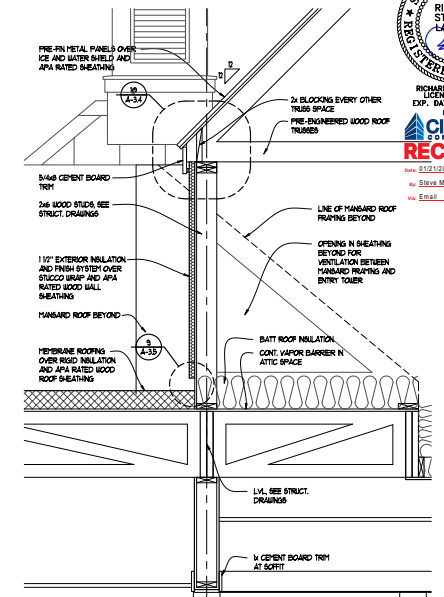
4 SECTION AT CUPOLA
 SCALE: 3/4" = 1'-0"



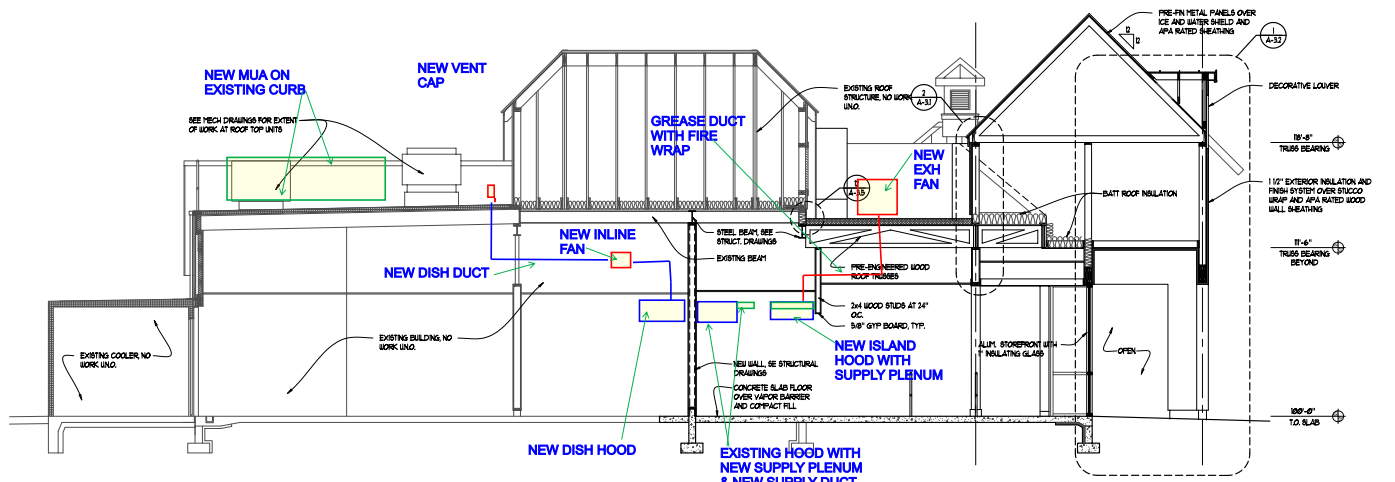
5 SECTION DETAIL AT CUPOLA
 SCALE: 1 1/2" = 1'-0"



3 PLAN AT CUPOLA
 SCALE: 3/4" = 1'-0"



2 WALL SECTION AT ENTRY - BACK
 SCALE: 3/4" = 1'-0"



1 BUILDING SECTION
 SCALE: 3/4" = 1'-0"

Cedar Fair, Inc. has been identified as the copyright owner of the information contained on this drawing. Any reproduction or use of this drawing without the express written consent of Cedar Fair, Inc. may result in legal action.