



Chick-fil-A

5200 Bufington Rd.
Atlanta Georgia,
30349-2998

Revisions:
Mark Date By
1 8/1/04 rea
2 03/03/04 REVIEWS

Mark Date By
1
2

Mark Date By
1
2

Mark Date By
1
2

Mark Date By
1
2

Seal

A-1-00320
CA 1660
933 BIRCHWOOD 1888 FLOOR
COLUMBIA, SC 29910
PH 803 744 0000
FX 803 709 0124

INTERPLAN 31
MECHANICAL
PACKAGE DESIGN
INTERIOR DESIGN
PROJECT MANAGEMENT

STORE
SERIES
FSU 03-A

DOLPHIN VILLAGE
4623 GULF BLVD.
ST. PETE BEACH, FL

SHEET TITLE
MECHANICAL
FLOOR PLAN

DWG EDITION 03.8

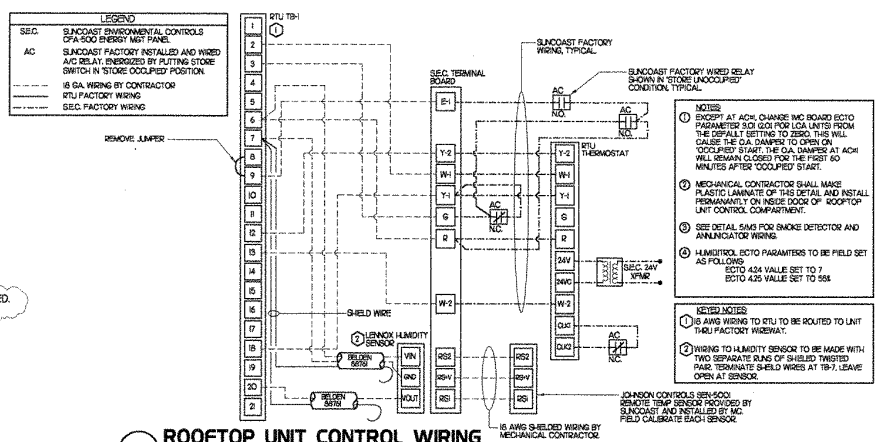
Job No. : 2004-0255
Store : 1740

Date : 8/30/04
Drawn By :
Checked By :
Sheet

M-I-O

LEGEND			
A-12-400	TYPE - NECK SIZE - CFM	EPH#	EXHAUST FAN # (TYP)
	SPIN-IN FITTINGS WITH MANUAL BALANCING DAMPERS WITHOUT SCOOP	ACH#	AIR CONDITIONING UNIT # (TYP)
	SPIN-IN HARD DIFFUSER		RETURN/EXHAUST (TYP)
	REMOTE TEMPERATURE SENSOR		SUPPLY DIFFUSER, SQ FACE (TYP)
	HUMIDITY SENSOR		PLAN NOTE REFERENCE
	SMOKE DETECTOR		MANUAL VOLUME DAMPER
	DUCT SIZE 1ST NUMBER - HORIZONTAL DIMENSION 2ND NUMBER - VERTICAL DIMENSION		DIRECTION OF FLOW ON DIFFUSER

- ### KEY NOTES
- MOUNT REMOTE SENSOR ON WALL AT 5'-0" AFF AND ROUTE WIRING BACK TO SUNCOAST TEMP CONTROL PANEL.
 - AIR CURTAIN MOUNTED OVER DOOR HEADER AT 7'-5" AFF TO BOTTOM OF UNIT. LOCATE PLUNGER TYPE MICROSWITCH IN DOOR FRAME ON STRIKE SIDE.
 - BRANCH TAKE-OFFS ARE NOT TO BE LOCATED CLOSER THAN 3'-0" FROM THE ELBOW AT THE SUPPLY AIR DOOR FROM CURB.
 - MOUNT LENOX HUMIDITY SENSOR ON WALL ABOVE SPACE TEMP SENSOR AND ROUTE WIRING TO UNIT ON ROOF.
 - MOUNT REMOTE SENSOR FOR PLAYGROUND ABOVE DOOR FRAME NEAR THE RETURN AIR GRILLES. ROUTE WIRING BACK TO SUNCOAST TEMP CONTROL PANEL.
 - TRANSITION IN VERTICAL DROP FROM FULL SIZE OF CURB OPENING TO SIZE SHOWN PROVIDE TURNING VANES IN ELBOW.
 - TRANSITION IN VERTICAL DROP FROM FULL SIZE OF CURB OPENING TO SIZE SHOWN NO TURNING VANES IN ELBOW.
 - ALL DUCT WORK SHALL BE SHEET METAL. DUCT BOARD IS NOT PERMITTED.



2 ROOFTOP UNIT CONTROL WIRING

SHEET NOTES

- DUCT SIZES SERVING DIFFUSERS AND GRILLES ARE SAME SIZE AS DIFFUSER OR GRILLE NECK UNLESS NOTED OTHERWISE.

DUCT WILL PASS OVER HOOD SUPPORT POINT, OFFSET HANGER ROOF BELOW DUCT WITH STRUT.

16X9 ACCESS DOOR, TYPICAL OF THREE.

EPH#1 AND EPH#2 MUST BE LOCATED A MINIMUM OF 10 FT FROM PARAPETS.

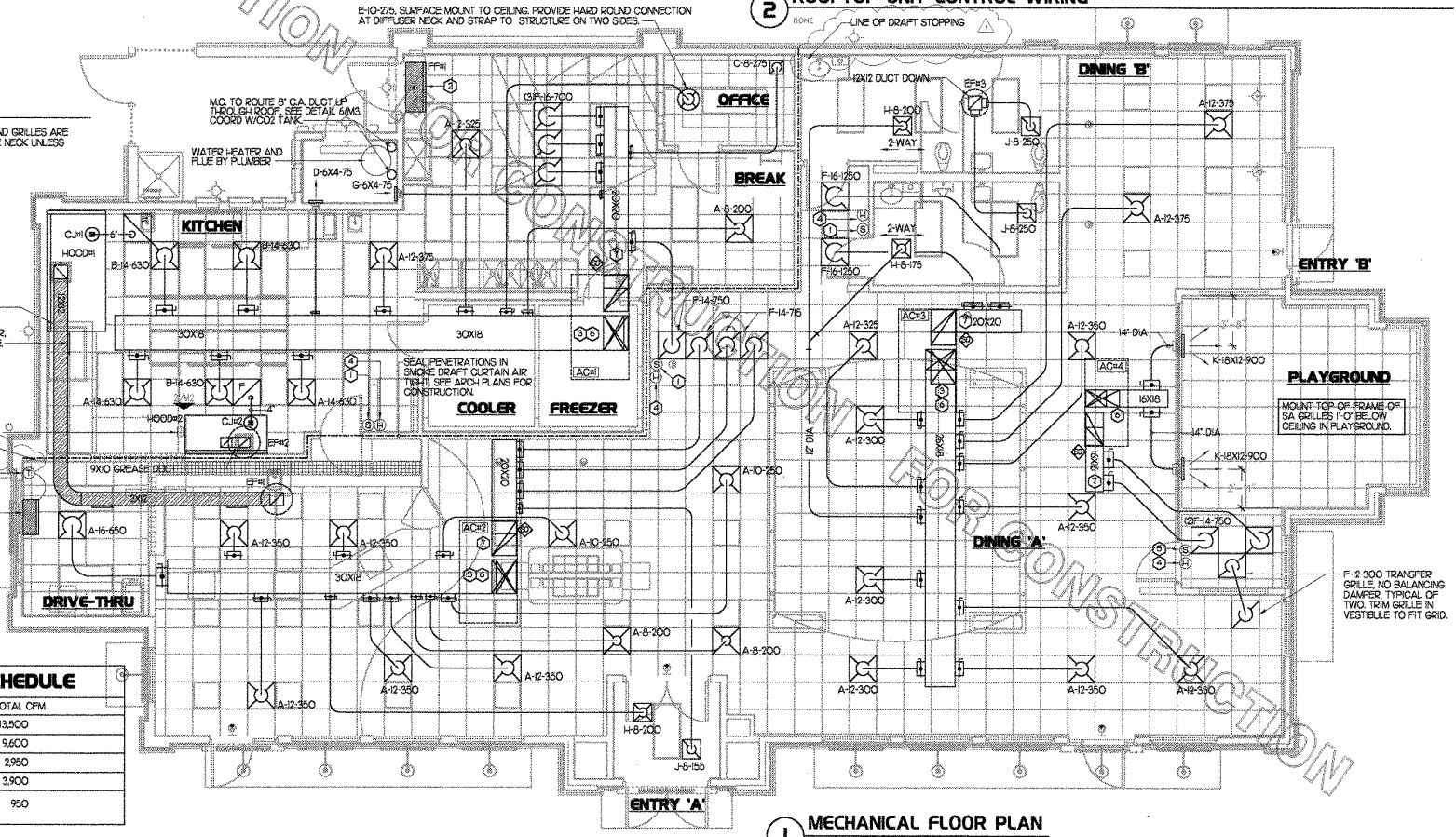
CJ#3 MOUNTED INSIDE CABINETRY SERVING SCJ PLENUM. SEE DETAIL 3W2.

LINE OF DRAFT STOPPING.

THERMOSTAT MOUNTED 55" AFF.

AIR CURTAIN, PPH#2 MOUNTED 70" AFF TO BOTTOM OF UNIT.

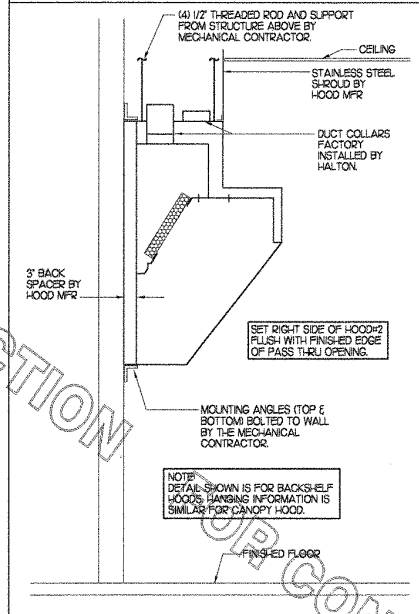
AIR BALANCE SCHEDULE	
AIR TYPE	TOTAL CFM
SUPPLY	13,500
RETURN	9,600
EXHAUST	2,950
OUTSIDE AIR	3,900
BUILDING POSITIVE PRESSURE	950



KITCHEN HOOD SYSTEMS NOTES

1. CHECK-FLA MAINTAINS A NATIONAL ACCOUNT WITH HALTON CO. FOR THE HOODS. CHECK-FLA WILL PURCHASE AND PROVIDE THE HOODS FOR INSTALLATION BY THE GENERAL CONTRACTOR. THE GENERAL CONTRACTOR SHALL BE RESPONSIBLE FOR RECEIVING THE HOODS. CONTACT HALTON CO. AT 270-257-5600 FOR MORE INFO.
2. REFER TO "PART 2 CONTROLS" OF THE MECHANICAL SPECIFICATIONS FOR DIFFERENTIATION BETWEEN CONTROL, AND POWER WIRING RESPONSIBILITIES.
3. ANY CONTACTORS OR WIRING REQUIRED FOR SHUT-OFF OF ELECTRIC COOKING EQUIPMENT SHALL BE FURNISHED AND INSTALLED BY ELECTRICAL CONTRACTOR.
4. ALL ROOF CURBS SHALL BE SHIMMED LEVEL.
5. ROOF CURBS FOR EXHAUST SYSTEMS SHALL BE INSTALLED IN ACCORDANCE WITH THE NATIONAL ROOFING CONTRACTORS ASSOCIATION GUIDELINES, AND THE ROOFING SUPPLIERS DETAILS AND GUIDELINES FOR THE SPECIFIC ROOFING MATERIALS USED. ALL CURB INSULATION SHALL BE SUPPLIED AND INSTALLED BY ROOFING CONTRACTOR.
6. THE GENERAL CONTRACTOR SHALL PROVIDE ALL ROOF CUT OPENINGS AND OTHER STRUCTURAL REQUIREMENTS FOR THE INSTALLATION OF ALL ROOF EQUIPMENT. REFER TO STRUCTURAL FRAMING PLAN FOR EQUIPMENT LOCATION DIMENSIONS.
7. THE FIRE SUPPRESSION SYSTEM SHALL CONSIST OF A COMPLETE WET ANSL SYSTEM FURNISHED BY HALTON. THE HOOD SHALL BE FURNISHED PRE-PIPED BY HALTON. COMPONENTS AND INSTALLATION SHALL MEET THE REQUIREMENTS OF NFPA-96, NFPA-70A, ALL APPLICABLE STATE AND FEDERAL CODES AND STANDARDS.
8. THE R-102 ANSL FIRE SUPPRESSION SYSTEM EXTERNAL TO THE HOODS SHALL BE INSTALLED IN ACCORDANCE WITH HOOD MANUFACTURER'S SHOP DRAWINGS BY AN AUTHORIZED ANSL SYSTEM INSTALLER HIRED BY HALTON.
9. PORTABLE FIRE EXTINGUISHERS IN THE KITCHEN SHALL BE PROVIDED BY THE GENERAL CONTRACTOR IN COMPLIANCE WITH NFPA-10 AND LOCAL REQUIREMENTS.
10. OUTLETS OF EXHAUST FANS SHALL BE AT LEAST 40 INCHES ABOVE ROOF LINE.
11. EXHAUST FANS SHALL BE LOCATED A MINIMUM OF 10 FEET FROM ANY FRESH AIR INTAKE. MEASUREMENT SHALL BE MADE USING STRETCHED STRING METHOD.
12. HOOD EXHAUST DUCTWORK SHALL BE 16 GA. BLACK STEEL WITH CONTINUOUS LIQUID TIGHT WELD OF JOINTS & SEAMS AS PER NFPA-96.
13. TURNS IN GREASE EXHAUST DUCTWORK SHALL BE LONG RADIUS TYPE, WITH A CENTERLINE RADIUS R-3W/2, NO EXCEPTIONS ALLOWED, NO MITERED FITTINGS ALLOWED.
14. HOODS AND ASSOCIATED DUCTWORK SHALL BE INSTALLED PER NFPA 96 AND LOCAL CODES.
15. ALL STAINLESS STEEL SURFACES SHALL BE SUPPLIED BY HOOD MANUFACTURER AND INSTALLED BY THE GENERAL CONTRACTOR ACCORDING TO MANUFACTURER'S RECOMMENDATIONS.
16. HOODS, FANS AND ACCESS DOORS SHALL BE LISTED BY UNDERWRITERS INC. AND SHALL MEET REQUIREMENTS OF NFPA-96.
17. ACCESS DOORS SHALL BE REMOVABLE WITHOUT USE OF TOOLS AND BE PROVIDED WITH GASKET SEAL.
18. SLOPE ALL GREASE EXHAUST DUCT BACK TO HOOD AT 1/4" PER FOOT OF RUN.
19. WRAP NEW GREASE DUCT WITH 3M FIRE BARRIER ISA. ACCESS DOORS SHALL BE INSTALLED ACCORDING TO 3M FIRE BARRIER PRODUCTS INSTALLATION MANUAL.

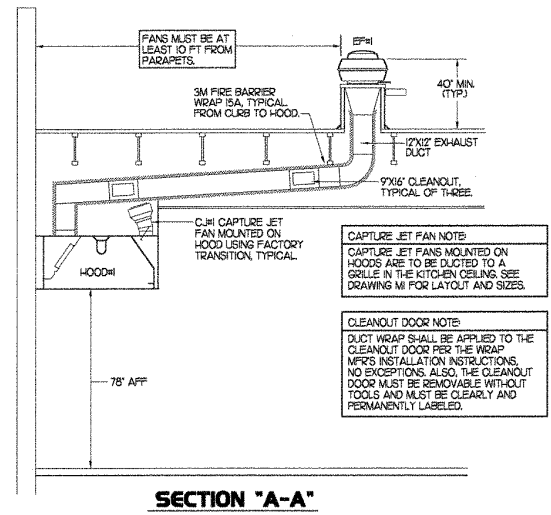
SIDE VIEW OF HOOD



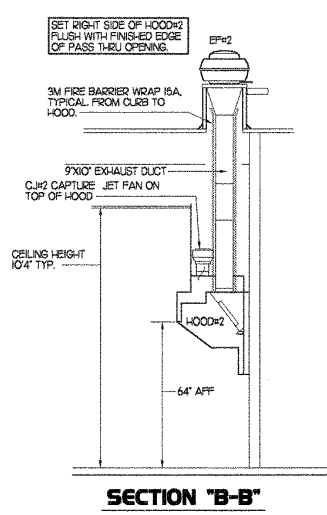
HOOD SCHEDULE

MARK	EXHAUST CFM	SP * TAB FOOT	CAPTURE JET CFM & SP.	TYPE	COLLAR SIZE	WIDTH	DEPTH	HEIGHT	MANUFACTURER	MODEL	REMARKS
HOOD#1	1500	23'	102 * 0.72	CANOPY	12X12	102"	57"	24"	HALTON	KVE	L23A56789
HOOD#2	950	23'	48 * 0.37	BACK SHELF	9X10	72"	34"	48"	HALTON	KVL	L24A56789

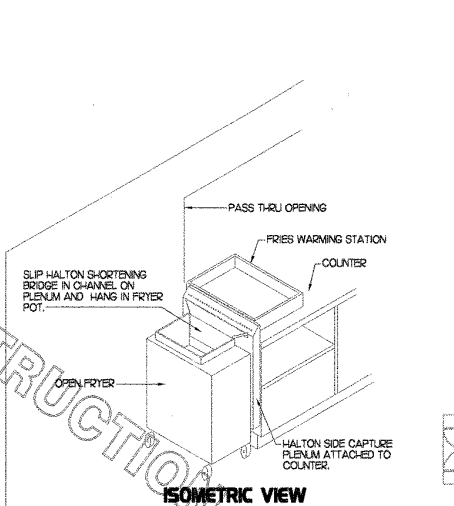
- NOTES: DIMENSIONS OF HOODS INCLUDE BACK AND SIDE SPACERS (HEIGHT DOES NOT INCLUDE CLOSURE PANELS).
- REMARKS:
- 1) STAINLESS STEEL CONSTRUCTION.
 - 2) PROVIDE FULL HEIGHT SS CLOSURE PANEL WITH ACCESS PANEL IN FRONT LARGE ENOUGH TO REMOVE CAPTURE JET FAN.
 - 3) PROVIDE FULL HEIGHT SS CLOSURE PANEL WITH ACCESS PANEL IN FRONT LARGE ENOUGH TO SERVICE ANSL COMPONENTS.
 - 4) PROVIDE PRE-PIPED ANSL R-102 WET FIRE EXTINGUISHING SYSTEM.
 - 5) PROVIDE 3" BACK SPACER.
 - 6) PROVIDE 3" RIGHT SIDE SPACER.
 - 7) PROVIDE PARTIAL SIDE SKIRT ON LEFT SIDE.
 - 8) PROVIDE BLANK-OFF PLATE FOR SWITCH COVER.
 - 9) PROVIDE TOP PLENUM CAPTURE JET FAN, SPEED CONTROLLER AND COLLAR.
 - 10) PROVIDE COUNTER MOUNTED SIDE CAPTURE JET PLENUM ASSEMBLY AND FAN.



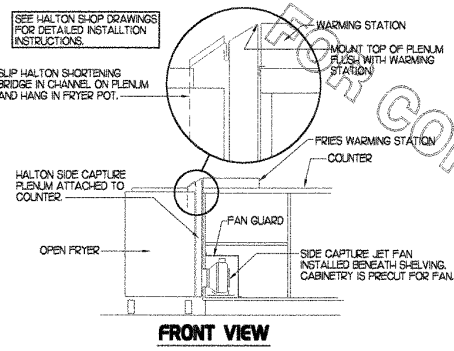
SECTION "A-A"



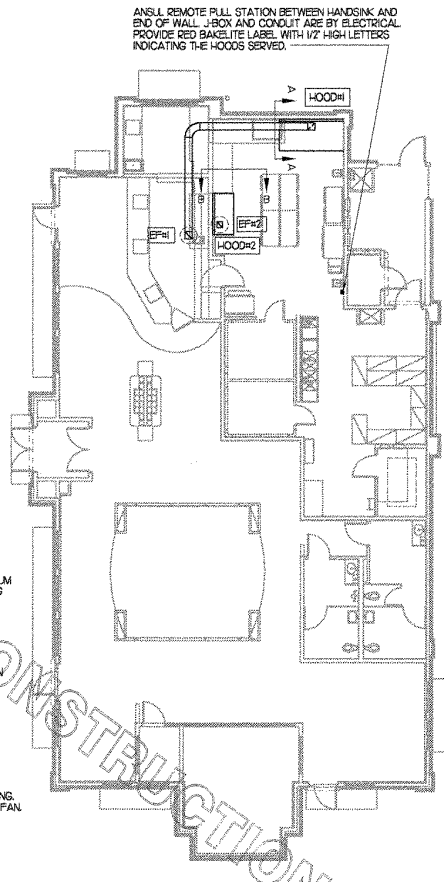
SECTION "B-B"



ISOMETRIC VIEW



FRONT VIEW



HOOD LAYOUT

3 HOOD ELEVATIONS
NONE

2 HALTON SIDE CAPTURE JET PLENUM
NOT TO SCALE

1 HOOD LAYOUT
1/8"=1'-0"

5200 Buffington Rd.
Atlanta Georgia,
30349-2939

Revisions:
Mark Date By
△
△
△

Seal

AX 00020 CA 1660
NS 15000 FL 10000
CO 00000 TX 00000
PH 407 658 0508
FL 407 659 9124

INTERPLAN 3
ARCHITECTURE
ENGINEERING
INTERIOR DESIGN
PROJECT MANAGEMENT

STORE
SERIES
FSU 03-A

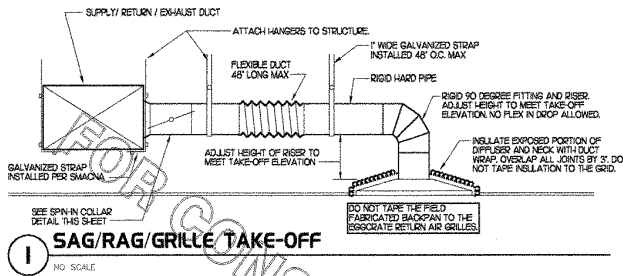
DOLPHIN VILLAGE
4623 GULF BLVD.
ST. PETE BEACH, FL

SHEET TITLE
HOOD DETAILS
& SCHEDULES

DRWG. EDITION: 03.8

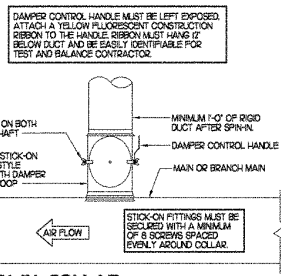
Job No. : 2004.0255
Store : 1749
Date : 8/30/04
Drawn By :
Checked By :
Sheet

M-2.0



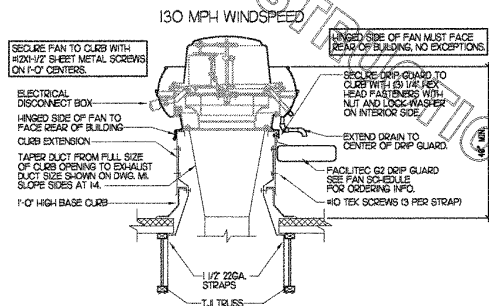
1 SAG/RAG/GRILLE TAKE-OFF

NO SCALE



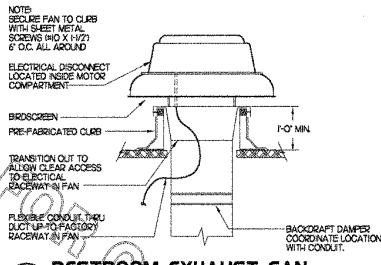
2 SPIN-IN COLLAR

NO SCALE



3 TYPICAL FAN TIE-DOWN SYSTEM DETAIL

NO SCALE



4 RESTROOM EXHAUST FAN

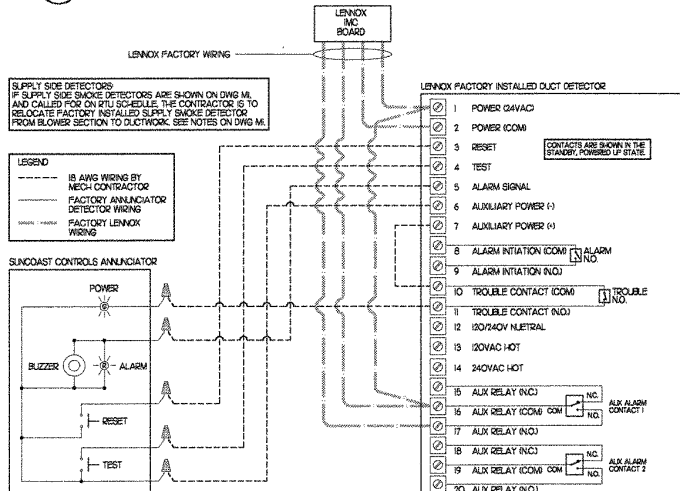
NO SCALE

GAS FIRED ROOFTOP UNIT SCHEDULE												
MARK	COOLING CAPACITY (BTU)			HEATING CAPACITY (BTU)			FAN SECTION (CFM)			MODEL	MANUFACTURER	REMARKS
	TOTAL	SENS	EAT (DHW)	INPUT	OUTPUT	HP	OA	HP	ESP			
ACH	456	990	8087	2550	1880	4.400	1200	3	70	LG02028H	LENNOX	1356785001028045
ACH	620	951	81967	2550	1880	3.500	1200	3	65	LS04028H	LENNOX	1356785001028045
ACH	445	1008	83364	2550	1880	3.800	1300	3	70	LG02028H	LENNOX	1356785001028045
ACH	607	463	78546	250	1000	1.800	300	15	65	LG04028H	LENNOX	3463786001028045

NOTES:
 COOLING CAPACITIES ARE GROSS, BASED ON OUTDOOR 95°F DB.
 1) PROVIDE DIFFERENTIAL ENTHALPY ECONOMIZER WITH POWER EXHAUST.
 2) PROVIDE DIFFERENTIAL ENTHALPY ECONOMIZER WITH BACKFLOW EXHAUST.
 3) PROVIDE 1\"/>

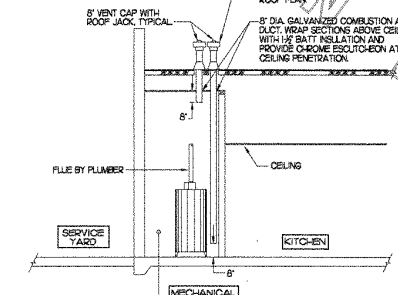
EXHAUST FAN SCHEDULE									
MARK	CFM	ESP	RPM	TIP SPEED (FPS)	HP	AREA SERVED	MODEL	MANUFACTURER	REMARKS
EP4	1500	0.75	200	105	3/4	H00D1	NERFD-H0A	JENI	13349
EP2	950	0.60	90	91	3/4	H00D2	NERFD-H0A	JENI	13349
EP4S	500	0.35	103	58	1/4	RESTROOMS	REK0205	JENI	256749

NOTES:
 GREASE EXHAUST FAN RPM BASED ON 75 DEGREE F AIR AT SEA LEVEL.
 1) PROVIDE FACTORY 1\"/>



5 SMOKE DETECTOR AND ANNUNCIATOR WIRING DIAGRAM

NO SCALE



6 WATER HEATER VENT/C.A. ROUTING

NO SCALE

AIR DEVICE SCHEDULE									
MARK	DESCRIPTION	LOCATION	NECK SIZE	FACE SIZE	CEILING TYPE	REMARKS			
A	TITUS MODEL PHS-A-A ALUMINUM SUPPLY AIR DIFFUSER WITH AIR PATTERN CONTROLLER	DINING AREA	SEE PLAN	24X24	LAY-N	1			
B	TITUS MODEL PAR-A-A ALUMINUM RETURN AIR GRILLE USED AS A SUPPLY DIFFUSER	KITCHEN	SEE PLAN	24X24	LAY-N	1			
C	TITUS MODEL 50P ALUMINUM EGSGOATE RETURN AIR GRILLE	OFFICE	10X10	12X12	LAY-N	15			
D	TITUS MODEL 22PFL DOUBLE DEFLECTION ALUMINUM SIDEWALL SUPPLY REGISTER, FRONT BLADE PARALLEL TO SHORT SIDE	MECHANICAL ROOM	SEE PLAN	SEE PLAN	NA	1			
E	TITUS MODEL THA-A-A ALUMINUM CONCENTRIC ROUND CONE SUPPLY DIFFUSER	OFFICE	10	18	LAY-N	16			
F	TITUS MODEL 50P ALUMINUM EGSGOATE RETURN AIR GRILLE	DINING/KITCHEN PLAYGROUND	24X24	24X24	LAY-N	15			
G	TITUS MODEL 3PL ALUMINUM SIDEWALL RETURN GRILLE, FRONT BLADE PARALLEL TO LONG SIDE	MECHANICAL ROOM	SEE PLAN	SEE PLAN	NA	1			
H	TITUS MODEL MDD STEEL SUPPLY AIR DIFFUSER, FIELD ADJUSTABLE AIR PATTERN CONTROLLER	RESTROOMS ENTRY 'A'	8X8	13X13	G1P8M	12,13			
I	TITUS MODEL 50P ALUMINUM EGSGOATE RETURN AIR GRILLE WITH OBD	RESTROOMS ENTRY 'A'	8X8	10X10	G1P8M	14,5			
J	TITUS MODEL 22PFL DOUBLE DEFLECTION ALUMINUM SIDEWALL SUPPLY REGISTER, FRONT BLADE PARALLEL TO LONG SIDE	PLAYGROUND	18X12	20X14	NA	1			

REMARKS:
 1) STANDARD OFF-WHITE FINISH.
 2) PROVIDE MODEL AG-85 NECK DAMPER.
 3) DIFFUSER IN RESTROOMS SHALL BE 2-HAY THRU.
 4) PROVIDE MODEL JAGHS NECK DAMPER ON GRILLES IN RESTROOMS AND ENTRY VESTIBULE.
 5) FIELD FABRICATE 8\"/>

AIR DOOR SCHEDULE									
MARK	CFM	VELOCITY	HEATING CAP	HP	AREA SERVED	MODEL	MANUFACTURER	REMARKS	
FP4	3384	4000	NA	3/4	REAR DOOR	BDT-142	POWERED-AIR	14	
FP2	750	3050	12 KW	1/5	DRIVE THRU	MEP-305	POWERED-AIR	23,4	

REMARKS:
 1) FACTORY PROVIDED PLUNGER TYPE MICRO-SWITCH.
 2) FACTORY PROVIDED REMOTE MOUNTED HEAT/AUTO CONTROLS.
 3) FACTORY PROVIDED UNIT MOUNTED SPEED CONTROLLER.
 4) CHICK-FIL-A HAS A NATIONAL ACCOUNT WITH POWERED-AIR. THE MECHANICAL CONTRACTOR SHALL PURCHASE THE FANS DIRECTLY FROM THE NATIONAL ACCOUNT REP, TOM BARROW COMPANY, CONTACT MR. TOM BARROW SR AT 404-391-1100, FOR PRICING AND AVAILABILITY.

5200 Buffington Rd.
 Atlanta Georgia,
 30349-2995

Revisions:
 Mark Date By
 1 5/1/04 JSA
 2 2/20/06 RE-JSA

Mark Date By
 1
 2

Mark Date By
 1
 2

3/1
 INTERPLAN
 ARCHITECTURE
 INTERIOR DESIGN
 PROJECT MANAGEMENT

STORE SERIES
 FSU 03-A

DOLPHIN VILLAGE
 4623 GULF BLVD.,
 ST. PETE BEACH, FL

SHEET TITLE
 HVAC DETAILS
 & SCHEDULES

DWG EDITION 03.8

Job No. : 2004.0255
 Store : 1740
 Date : 8/30/04
 Drawn By :
 Checked By :
 Sheet

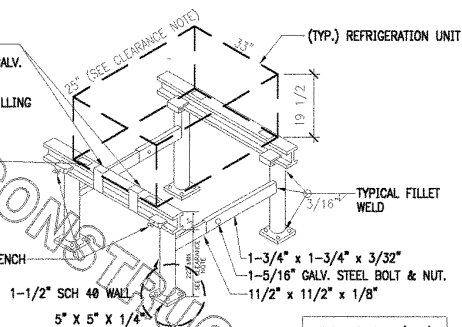
M-3.0

(130 MPH WINDSPEED)

PROVIDE 4-22 GA. - 1 1/8" WIDE HURRICANE STRAPS PER A/C UNIT.
 A.) 2-3/8" X 3/4" LONG A387 STEEL GALV. BOLTS AND NUTS FASTENED TO WEB OF ALUMINUM STAND RAIL.
 B.) 3-10-16 X 3/4" BWH #3 SELF DRILLING HILTI KWIK-FLEX SCREWS TO WEB OF ALUMINUM STAND RAIL.

PAD (TYP.) BY A/C CONTRACTOR
 EXAMPLES:
 RUBBER VIBRATION PAD
 (RP. 3/4" - 2"x2")
 (RP. 3/8" - 2"x2")

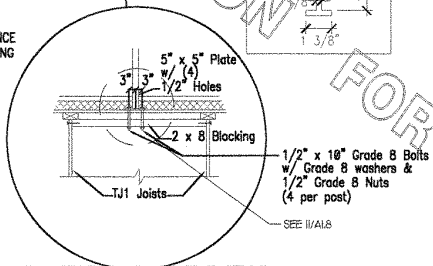
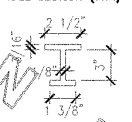
1/4" X 3/4" GALVANIZED STEEL THUMBSCREW TIGHTEN WITH TORQUE WRENCH TO REFUSAL.



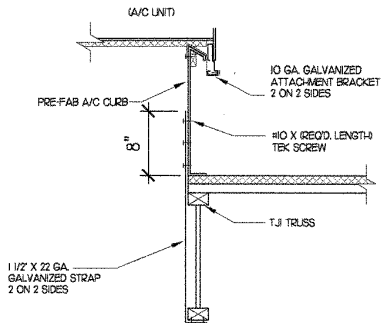
NOTES:

- 1.) ALL CONSTRUCTION TO MEET ALUMINUM ASSOCIATION SPECS.
- 2.) VIBRATION INSULATOR PADS SHALL BE PROVIDED BY THE A/C CONTRACTOR SO AS NOT TO CAUSE VIBRATION TO EXISTING SUB-STRUCTURE.
- 3.) ALUMINUM EQUIPMENT STAND SUPPORTS AS MANUFACTURED BY AVCOA CORPORATION OF FORT LAUDERDALE, FLA. OR APPROVED EQUAL STANDS SHALL PROVIDE 18" MINIMUM CLEARANCE AND SHALL BE SIZED AND INSTALLED ACCORDING TO THE MANUFACTURERS LOAD CHARTS AND PRINTED INSTALLATION DETAILS.
CONTACT: (800) 266-7212
- 4.) STRAP DOWN UNITS WITH 22 GAUGE STRAPS AT 4 CORNERS WITH TEK SCREWS

RAIL SECTION (TYP.)



130 MPH WINDSPEED




2 ROOFTOP A/C UNIT TIE-DOWN DETAIL

NO SCALE

REFRIGERATION SYSTEM FRAMING SUPPORT DETAIL

NO SCALE



Chick-fil-C

5200 Buffington Rd.
Atlanta Georgia,
30349-2998

Revisions:

Mark	Date	By
△		
△		
△		

Serial

AA 00439
CA 8660
933 IEE ROAD, 3RD FLOOR
CHICK-FIL-C
PH 407 445 5038
FX 407 459 9134

INTERPLAN 37
 ARCHITECTURE
 ENGINEERING
 INTERIOR DESIGN
 PROJECT MANAGEMENT

STORE
 SERIES
 FSU 03-A

DOLPHIN VILLAGE
 4623 GULF BLVD.
 ST. PETE BEACH, FL

SHEET TITLE
 HVAC DETAILS

DWG EDITION: 03.8

Job No. : 2004.0255
 Store : 1740
 Date : 8/30/04
 Drawn By :
 Checked By :
 Sheet

M-3J

MECHANICAL SPECIFICATIONS

PART I GENERAL

1. FURNISH ALL MATERIALS, LABOR, TOOLS, TRANSPORTATION AND INCIDENTALS TO COMPLETE IN EVERY DETAIL, AND LEAVE IN WORKING ORDER ALL ITEMS CALLED FOR HEREIN OR SHOWN ON THE ACCOMPANYING DRAWINGS.
2. IT IS THE RESPONSIBILITY OF CONTRACTOR TO READ ALL SPECIFICATIONS AND CONSULT ALL DRAWINGS WHICH MAY AFFECT THE INSTALLATION AND COORDINATION OF HIS WORK WITH OTHER TRADES. CONTRACTOR SHALL COORDINATE AND MAKE MINOR ADJUSTMENTS IN LOCATION OF EQUIPMENT AND MATERIALS AS NECESSARY TO SECURE COORDINATION.
3. CONTRACTOR SHALL PROVIDE SIX SUBMITTAL SETS OF SHOP DRAWINGS TO ENGINEER FOR APPROVAL PRIOR TO STARTING WORK. IF ANY CHANGES ARE DESIRED, THE SUBMITTALS SHALL ALSO SHOW ALL REQUIRED MODIFICATIONS AND CHANGES INCLUDING THOSE INVOLVING OTHER TRADES, AND COST THEREOF SHALL BE SUBMITTED TO THE OWNER.
4. CONTRACTOR MUST RECEIVE PRIOR APPROVAL, SIGNED BY ENGINEER BEFORE PROCEEDING WITH ANY MODIFICATIONS, WORK INSTALLED USING UNAPPROVED LAYOUT OR SUBSTITUTIONS SHALL BE REPLACED AT AN ADDITIONAL COST TO THE OWNER.
5. CONTRACTOR SHALL VISIT THE SITE AND FULLY INFORM HIMSELF CONCERNING ALL CONDITIONS AFFECTING SCOPE OF WORK. FAILURE TO DO SO SHALL NOT RELIEVE CONTRACTOR OF ANY RESPONSIBILITY IN THE PERFORMANCE OF HIS WORK. ALL WORKMANSHIP SHALL BE OF THE HIGHEST QUALITY IN ACCORDANCE WITH THE BEST PRACTICES OF THE TRADE BY CRAFTSMEN SKILLED IN THIS PARTICULAR WORK.
6. CONTRACTOR SHALL FILE ALL DRAWINGS, PAY ALL FEES AND OBTAIN ALL PERMITS AND CERTIFICATES OF INSPECTION RELATIVE TO THIS WORK.
7. COMPLETED INSTALLATION SHALL CONFORM TO ALL APPLICABLE FEDERAL, STATE AND LOCAL CODES AND ORDINANCES, INCLUDING BUT NOT LIMITED TO THE LATEST APPROVED EDITIONS OF NFPA 96, NFPA-90A, NFPA-94, SMACNA, ASHRAE 90J AND ASHRAE 62.
8. SYSTEM LAYOUT IS SCHEMATIC AND EXACT LOCATIONS SHALL BE DETERMINED BY STRUCTURAL CONDITIONS, COORDINATION WITH OTHER TRADES, COORDINATION WITH FINISHES AND OTHER CONDITIONS. STRUCTURAL SUPPORTS SHALL NOT BE CUT OR ALTERED TO ASSURE FIT OF HVAC SYSTEM. TEN FOOT CLEARANCE SHALL BE MAINTAINED BETWEEN OUTSIDE AIR INTAKES AND EXHAUST FANS AND PLUMBING VENT TERMINALS.
9. CONTRACTOR SHALL BE RESPONSIBLE FOR ALL DEFECTS, REPAIRS AND REPLACEMENTS IN MATERIALS AND WORKMANSHIP FOR A PERIOD OF ONE (1) YEAR AFTER FINAL PAYMENT IS APPROVED. CONTRACTOR SHALL HONOR FACTORY WARRANTIES ON ALL EQUIPMENT PROVIDED AS PART OF THIS SYSTEM.
10. UPON COMPLETION OF PROJECT, ALL SYSTEM EQUIPMENT AND MATERIALS SHALL BE IN NEW, CLEAN CONDITION WITH ALL DAMAGE RESTORED TO CONDITION ACCEPTABLE TO THE OWNER'S REPRESENTATIVE. ALL EQUIPMENT, COMPONENTS AND DUCTWORK SHALL BE INSPECTED AND THOROUGHLY CLEANED, READY FOR USE. AT COMPLETION OF JOB, ALL MISCELLANEOUS TOOLS, SCAFFOLDING, SURPLUS MATERIALS, RUBBER AND DEBRIS SHALL BE REMOVED BY CONTRACTOR.
11. IF HVAC EQUIPMENT IS USED FOR TEMPORARY HEATING, ETC., THE CONTRACTOR SHALL ASSUME THE RESPONSIBILITY FOR CLEANING COILS, ETC. FINAL PERMANENT CONNECTIONS OF SERVICES TO UNITS SHALL BE COMPLETE PRIOR TO ANY START-UP OF EQUIPMENT. PROVIDE NEW FILTERS AT WORK COMPLETION.
12. CONTRACTOR SHALL SUBMIT SIX (6) SETS OF INSTRUCTION BOOKS INCLUDING INSTALLATION, OPERATION AND MAINTENANCE INSTRUCTIONS, PAMPHLETS OR BROCHURES AND ALL EQUIPMENT WARRANTIES OBTAINED FROM EACH MANUFACTURER OF EQUIPMENT TO OWNER'S REPRESENTATIVE.
13. DRAWINGS ARE DIAGRAMMATIC AND SHALL NOT BE SCALED FOR EXACT SIZES OR LOCATIONS. THEY ARE NOT INTENDED TO DISCLOSE ABSOLUTE OR UNCONDITIONAL KNOWLEDGE OF ACTUAL FIELD CONDITIONS.

PART II PRODUCTS

I. HEATING AND COOLING EQUIPMENT

- A. FURNISH AND INSTALL ROOFTOP SINGLE PACKAGE COMBINATION ELECTRIC COOLING AND NATURAL GAS FIRED HEATING UNITS BY LENOX AS SHOWN ON DRAWINGS. EQUIPMENT SHALL BE AIR CERTIFIED AND A.S.G.A. AND U.L. LISTED.
- B. UNIT SHALL BE FACTORY ASSEMBLED, TESTED AND HAVE COMPLETE REFRIGERANT R-22 CHARGE, READY TO OPERATE. ALL TUBING JOINTS SHALL BE BRAZED. COILS SHALL BE MINIMUM OF 3-RROWS DEEP.
- C. INDOOR FAN SHALL BE STATICALLY AND DYNAMICALLY BALANCED, DOUBLE INLET, FORWARD CURVED BELT DRIVEN BLOWER CAPABLE OF DELIVERING DESIGN CFM. FAN SHALL BE QUIET IN OPERATION AND INTERNALLY VIBRATION ISOLATED.
- D. FILTERS SHALL BE THROW AWAY TYPE: F40 30/2 Z OR EQUAL. A CLEAN SET OF REPLACEMENT FILTERS SHALL BE PROVIDED AND INSTALLED BY CONTRACTOR AFTER SUCCESSFUL START-UP OF EQUIPMENT AND AGAIN PRIOR TO OPENING.
- E. ACCESSORIES SHALL INCLUDE LOW AND HIGH PRESSURE SAFETIES, CRANK CASE HEATER, OVERCURRENT AND OVERTEMPERATURE SAFETY, COMPRESSOR VIBRATION ISOLATORS, FILTER DRIERS, REFRIGERANT SERVICE VALVES, COIL HEAT GUARDS (FL, TX, OK ONLY), CONVENIENCE OUTLETS FACTORY INSTALLED ON SCHEDULED UNITS. UNIT MOUNTED REVERSE DISCONNECTS, LOW AMBIENT OPERATION DOWN TO 50 DEGREES F AND EVAPORATOR FREEZE STAT.
- F. COMPRESSORS SHALL BE FULLY HERMETIC SCROLL TYPE WITH INTERNAL REBILION ISOLATORS. COMPRESSORS SHALL BE PROVIDED WITH A MINIMUM FIVE (5) YEAR FULL WARRANTY.
- G. UNIT SHALL BE DOWN DISCHARGE AS INDICATED ON THE DRAWINGS.
- H. UNITS SHALL BE PROVIDED WITH FACTORY INSTALLED DIFFERENTIAL ENTHALPHY ECONOMIZERS WITH POWER OR BAROMETRIC EXHAUST AS SCHEDULED. PLAYGROUND UNIT SHALL BE EQUIPPED WITH OHIO MOTORIZED O.A. DAMPER ASSEMBLY.
- I. THE UNIT HEAT EXCHANGERS SHALL BE STEEL WITH ALUMINIZED STEEL COATING. HEATING CONTROLS SHALL CONSIST OF REDUNDANT GAS VALVES, INTERMITTENT PILOT WITH ELECTRONIC SPARKOR HOT PLATE IGNITION SYSTEM, COMBUSTION EXHAUST FAN PROTECTED BY CENTRIFUGAL SWITCHES, HEAT LIMIT SWITCHES, TIME DELAY RELAY, FLAME AND PILOT SENSORS. ALL UNITS SHALL BE CAPABLE OF TWO STAGES OF HEAT. HEAT EXCHANGERS SHALL HAVE A TEN (10) YEAR WARRANTY. BURNERS SHALL BE ALUMINIZED IN-SHOT TYPE. THE DRAFT MOTOR SHALL BE MONITORED BY THE CONTROL SYSTEM.
- J. CHICK-FIL-A MAINTAINS A NATIONAL ACCOUNT FOR EQUIPMENT WITH LENOX CORPORATION. PRICES FOR THE EQUIPMENT HAS BEEN ESTABLISHED IN ADVANCE. CONTACT LENOX NATIONAL ACCOUNTS AT 972-497-5307 FOR PRICING, ORDERING AND AVAILABILITY.

2. GENERAL EXHAUST AND KITCHEN HOOD FANS

- A. FANS SHALL BE JENN MODELS, UP BLAST OR DOWN BLAST, CENTRIFUGAL OR PROPELLER, AS INDICATED ON DRAWINGS AND SHALL BE LOCATED WHERE SHOWN ON DRAWINGS. ALL FANS SHALL BE U.L. LISTED FOR INTENDED USE AND SHALL BEAR THE AMCA SEAL. MANUFACTURERS OTHER THAN THE JENN MODELS SPECIFIED ARE NOT ACCEPTABLE.
- B. ROOF CURBS
- A. EQUIPMENT MANUFACTURER SHALL PROVIDE ALL ROOF CURBS FOR ROOF MOUNTED EQUIPMENT.
- B. ROOF CURBS FOR ALL EQUIPMENT SHALL BE INSTALLED IN ACCORDANCE WITH THE NATIONAL ROOFING CONTRACTORS ASSOCIATION GUIDELINES, AND THE ROOFING SUPPLIERS DETAILS AND GUIDELINES FOR THE SPECIFIC ROOFING MATERIALS USED.
- C. CURB CONSTRUCTION AND HEIGHT FOR THE HOOD FANS SHALL CONFORM TO THE REQUIREMENTS OF NFPA 96.
- D. THE RESTROOM EXHAUST FAN CURB SHALL BE 1'-0" HIGH MINIMUM.
- E. ALL CURBS SHALL HAVE PERIMETER INSULATION PROVIDED AND INSTALLED BY THE ROOFING INSTALLER.
- F. THE ROOFTOP EQUIPMENT CURBS SHALL HAVE A 2" THICK ACOUSTICAL INSULATION BLANKET APPLIED BETWEEN THE ROOF AND EQUIPMENT BY THE MECHANICAL CONTRACTOR.
- G. ROOFTOP EQUIPMENT SHALL BE SECURED TO ROOF CURB AND ROOF STRUCTURE TO RESIST 140 MPH WIND LOAD.

4. DUCTWORK, INSULATION & INSTALLATION (SEE DWG M2 FOR GREASE DUCT)

- A. ACCEPTABLE MANUFACTURERS OF INSULATION ARE MANVILLE, OWENS CORNING OR KNAUF.
- B. ALL DUCTWORK SHALL BE SHEET METAL.
- C. DUCT DIMENSIONS SHOWN ARE INSIDE CLEAR DIMENSIONS.
- D. CONSTRUCTION OF DUCTWORK SHALL MEET SMACNA 1 W.C. PRESSURE CLASS STANDARD AND RECOMMENDATIONS. SMACNA SHALL BE FOLLOWED WITH RESPECT TO GAGE THICKNESS, JOINTS, REINFORCING, CONSTRUCTION, INSTALLATION AND SUPPORT FOR PRESSURE CLASS STATED. ALL TRANSVERSE JOINTS IN RECTANGULAR AND ROUND DUCT SHALL BE SEALED PER SMACNA SEAL CLASS C WITH U.L. DUCT MASTIC SEALANT APPROVED FOR INTENDED USE. STANDARD DUCT TAPE IS NOT ACCEPTABLE.
- E. ALL DUCT INSULATION SHALL MEET MINIMUM R-VALUE REQUIRED BY ASHRAE 90J LATEST EDITION. ALL DUCT WRAP SHALL BE MINIMUM 2" THICK, 3/4 POF AND 5/8 R-VALUE INSTALLED WITH EITHER A VAPOR BARRIER WITH MAXIMUM PERMEANCE 0.05 OR A MINIMUM 2 MIL ALUMINUM REINFORCED POLYKRAFT PAGING.
- F. ALL DUCT DROPS FROM THE ROOFTOP UNITS SHALL BE EXTERNALLY INSULATED.
- G. SUPPLY AND RETURN AIR DUCTWORK SERVING THE PLAYGROUND, KITCHEN, SERVING AND DINING AREAS SHALL BE EXTERNALLY INSULATED.
- H. RESTROOM RECTANGULAR EXHAUST AIR DUCTWORK SHALL BE LINED WITH 1" THICK, 1/2 POF INSULATION.
- I. TRUNK DUCTS SHALL BE ISOLATED FROM UNIT VIBRATION WITH THE USE OF NFPA AND U.L. APPROVED FLEXIBLE CONNECTORS INSTALLED AT THE TOP OF BOTH SUPPLY AND RETURN DROPS.
- J. INSULATED FLEXIBLE DUCT MAY BE UTILIZED FOR RUNOUTS TO GRILLES AND DIFFUSERS ONLY IN THE HORIZONTAL POSITION AND IN MAXIMUM LENGTHS OF 4'-0". NO EXCEPTIONS. SEE TAKE-OFF DETAIL ON DRAWING M3.
- K. CONSTRUCTION OF FLEXIBLE DUCTWORK SHALL INCLUDE SPIRAL METAL HELIX BONDED TO A POLYESTER CORE. FIBERGLASS INSULATION WITH POLYETHYLENE OR MILAR VAPOR BARRIER. ALL COMPONENTS SHALL HAVE APPROPRIATE U.L. APPROVAL AND SHALL BE EQUIVALENT TO FLEXMASTER TYPE 3M.
- L. FLEXIBLE DUCT SHALL BE INSTALLED USING DRAWBANDS AND FOIL TAPE ON THE INNER CORE AND OUTER INSULATION.
- M. SINGLE THICKNESS TURNING VANES SHALL BE INSTALLED AT 90 DEGREE TURNS IN SUPPLY DUCTWORK WHERE ANY ONE DIMENSION IS GREATER THAN 12".
- N. RADIOUS ELBOWS MAY BE SUBSTITUTED FOR 90 DEGREE ELBOWS AT THE DISCRETION OF THE CONTRACTOR. CENTERLINE RADIUS EQUAL TO 3W/2 PER FIGURE NO. 2-2 IN SMACNA HVAC DUCT CONSTRUCTION STANDARDS.
5. AIR DEVICES
- A. AIR DEVICES SHALL BE BY TITUS. ACCEPTABLE EQUIVALENTS ARE: KRUEGER AND METALARE. COORDINATE FRAME TYPE WITH REFLECTED CEILING PLAN PRIOR TO ORDERING. FURNISH AND INSTALL ACCESS DOORS IN GYPSUM CEILINGS AND WALLS FOR DAMPER ACCESS. PAINT ACCESS DOOR TO MATCH CEILING FINISH.
- B. MANUAL VOLUME BALANCING DAMPERS SHALL BE SPIN-IN OR STICK-ON TYPES WITH STRAIGHT TAKE-OFF STYLE AND MUST HAVE WING NUTS EXTERNALLY LOCATED AT BOTH ENDS OF DAMPER SHAFT.
6. PAINTING
- A. ALL EQUIPMENT LOCATED OUTDOORS SHALL HAVE ANY SCRATCHES TOUCHED UP WITH PAINT OF THE SAME TYPE AND COLOR AS ORIGINAL.
7. CONTROLS
- A. SYSTEMS SHALL BE COMPLETE WITH CONNECTIONS TO CFA-500 TEMPERATURE CONTROL PANEL AS MANUFACTURED BY SUNCOAST ENVIRONMENTAL CONTROLS (SEC) (PH 877-544-6679). THE PANEL IS PROVIDED AND MOUNTED BY THE ELECTRICAL CONTRACTOR. CONTROL WIRING TERMINATIONS ARE BY THE MECHANICAL CONTRACTOR.
- B. THE SMOKE DETECTORS SHALL BE FACTORY INSTALLED AND WIRED BY THE ROOFTOP UNIT MANUFACTURER.
- C. A FACTORY INSTALLED SMOKE DETECTOR IN THE RETURN AIR SECTION OF EACH AIR CONDITIONING UNIT SHALL STOP THE INDOOR FAN AND CLOSE THE OUTSIDE AIR DAMPER IN THE EVENT OF EXCESSIVE TEMPERATURE OR SMOKE. SMOKE DETECTOR SHALL BE LOCATED PRIOR TO ANY EXHAUST FROM THE BUILDING OR MIXING WITH FRESH AIR MAKE-UP. UPON DETECTION THE SYSTEM SHALL NOT RESTART UNTIL THE DEVICE IS MANUALLY RESET. DEVICES SHALL BE LOCATED WHERE THEY CAN BE EASILY ACCESSSED AND WHERE CLEAR OF FILTERS.
- D. CHICK-FIL-A HAS A NATIONAL ACCOUNT WITH SUNCOAST ENVIRONMENTAL CONTROLS FOR THE SMOKE DETECTOR TEST/RESET ANNUNCIATOR STATIONS. THE TEST/RESET STATIONS WILL BE PURCHASED AND PROVIDED BY THE MECHANICAL CONTRACTOR AS A PART OF A NATIONAL ACCOUNT PACKAGE.

- E. THE REMOTE TEST/RESET ANNUNCIATORS SHALL BE PROVIDED, INSTALLED AND WIRED BY THE MECHANICAL CONTRACTOR. INSTALLATION BY MECHANICAL SHALL INCLUDE MOUNTING OF THE ANNUNCIATORS AND ALL WIRING FROM EACH DEVICE TO THE RTU. ELECTRICAL WILL PROVIDE A JUNCTION BOX IN THE WALL WITH 1/2" CONDUIT STUBBED UP ABOVE THE CEILING FOR EACH REMOTE TEST STATION AS SHOWN ON THE ELECTRICAL PLANS. ANNUNCIATOR SHALL BE SUNCOAST CONTROLS REMOTE TEST/RESET STATION WITH POWER LED, ALARM LED, 90DB HORN AND TEST/RESET BUTTON.
- F. WHERE REQUIRED BY LOCAL CODE, INSTALL A FIRESTAT IN THE RETURN AIR DUCT OF EACH PIECE OF AIR CONDITIONING EQUIPMENT HANDLING 2000 CFM OR MORE TO STOP THE INDOOR FAN AND CLOSE THE OUTSIDE AIR DAMPER WHEN HEAT WITHIN THE DUCT IS IN EXCESS OF 165 DEGREES FAHRENHEIT. FIRESTAT SHALL BE EQUIVALENT TO HONEYWELL MODEL #40202 HIGH LIMIT CONTROLLER. FIRESTATS SHALL BE PROVIDED AND MOUNTED BY THE MECHANICAL CONTRACTOR. INSTALLATION BY MECHANICAL SHALL INCLUDE MOUNTING OF THE DEVICE AND ALL WIRING FROM THE DEVICE TO THE RTU. SHUTDOWN OF UNIT AND INDOOR FAN SHALL BE IMMEDIATE WITH NO DELAY.
- F. THE RESTROOM FAN SHALL BE INTERLOCKED TO THE LIGHTS SERVING THE MEN AND WOMEN'S RESTROOMS. THE HOOD FANS SHALL BE CONTROLLED VIA THE SUNCOAST CFA-500 CONTROL PANEL. WIRING, RELAYS AND SWITCHES FOR CONTROL OF ALL FANS ARE BY ELECTRICAL CONTRACTOR.
- G. THERMOSTATS ARE PROVIDED AND INTEGRATED INTO THE TEMPERATURE CONTROL PANEL BY SUNCOAST ENVIRONMENTAL CONTROLS. SUNCOAST WILL PROVIDE A JOHNSON CONTROLS REMOTE TEMPERATURE SENSOR MODEL SEN-500-1 FOR EACH THERMOSTAT. MECHANICAL CONTRACTOR SHALL INSTALL ALL WIRING BETWEEN THERMOSTAT, SENSOR AND ROOFTOP UNIT.
- H. EACH THERMOSTAT SHALL BE PROVIDED WITH AN ENGRAVED PLASTIC LABEL 1/2" HIGH WITH WHITE LETTERING ON BLACK FIELD. EACH LABEL SHALL INDICATE A/C UNIT # AND ZONE SERVED, I.E. "A02" PLAYGROUND. PROVIDED AND INSTALLED BY MC. DO NOT INSTALL LABELS DIRECTLY ON THERMOSTATS.
- I. MECHANICAL CONTRACTOR SHALL INSTALL CONTROL WIRING IN 1/2" CONDUIT WHERE REQUIRED BY CODE. WHERE NOT REQUIRED TO BE IN CONDUIT, ALL WIRING SHALL BE RUN PARALLEL TO STRUCTURAL MEMBERS OR PERPENDICULAR WITH NO DIAGONAL ROUTING. ALL WIRING SHALL BE SECURED TO THE FRAMING TO PREVENT SAGGING IN RUNS. WIRING TO ROOFTOP UNITS SHALL BE ROUTED THROUGH THE FACTORY THRU-BASE FITTING IN THE UNIT BASE. ALL WIRING ABOVE THE ROOF SHALL BE INSTALLED IN EXTERIOR GRADE FLEXIBLE CONDUIT. ALL CONTROL WIRING AND CONTROL WIRING CONDUIT SHALL BE FURNISHED AND INSTALLED BY THE MECHANICAL CONTRACTOR. WIRING SHALL BE INSTALLED IN ACCORDANCE WITH LATEST EDITION OF NEC.
- B. SEQUENCE OF OPERATION
- A. WHEN STORE IS OPEN, THE EXHAUST FANS AND ROOFTOP UNITS SHALL OPERATE THRU CONTROL OF THE SWITCHES AND SENSORS SHOWN ON THE MECHANICAL AND ELECTRICAL PLANS. THE ROOFTOP UNIT INDOOR FANS SHALL RUN CONTINUOUSLY AND THE OUTSIDE AIR DAMPERS SHALL REMAIN OPEN.
- B. WHEN THE STORE IS CLOSED, THE EXHAUST FANS SHALL BE SWITCHED OFF AND THE THERMOSTATS SHALL BEGIN NIGHT SET-BACK MODE. OUTSIDE AIR DAMPERS AT THE ROOFTOP UNITS SHALL REMAIN CLOSED AT ALL AT ALL TIMES DURING NIGHT SET-BACK MODE.
- C. HOOD EXHAUST FANS SHALL NOT BE CAPABLE OF OPERATION UNLESS SUNCOAST CFA-500 CONTROL PANEL STORE SWITCH HAS BEEN PUT INTO THE STORE OPEN POSITION.
- D. ACTION OF ANSL SYSTEM SHALL STOP ALL ROOFTOP UNITS, EXHAUST THE O.A. DAMPERS AND MAINTAIN OPERATION OF THE GREASE HOOD EXHAUST FANS.
- E. RESTROOM EXHAUST FAN SHALL ENERGIZE UPON OPERATION OF LIGHTS IN RESTROOMS.

PART III EXECUTION

- A. FURNISH AND INSTALL SYSTEM IN ACCORDANCE WITH REFERENCED STANDARDS, APPLICABLE CODES, MANUFACTURERS RECOMMENDATIONS AND AS INDICATED ON DRAWINGS.
- B. OWNER SHALL TEST AND BALANCE MECHANICAL SYSTEM IN ACCORDANCE WITH NFI OR AABC STANDARDS TO ASSURE CONFORMANCE WITH DESIGN. S/C WILL MAKE MECHANICAL CONTRACTOR AVAILABLE DURING TEST AND BALANCE TO ASSIST TESTING AGENCY AND TO MAKE CORRECTIONS IMMEDIATELY NECESSARY. CONTRACTOR SHALL CORRECT ITEMS ON WRITTEN TEST AND BALANCE REPORT.
- C. CONTRACTOR SHALL INSTALLED THE OWNER'S REPRESENTATIVE IN ALL MATTERS PERTAINING TO THE PROPER MAINTENANCE OF EQUIPMENT FURNISHED UNDER THIS CONTRACT THROUGH DEMONSTRATION AND EXPLANATION OF OPERATING & MAINTENANCE MANUALS.
- D. CONTRACTOR SHALL PROVIDE A SAMPLE MAINTENANCE PROPOSAL TO THE OWNER'S REPRESENTATIVE IN ALL MATTERS PERTAINING TO THE PROPER MAINTENANCE OF EQUIPMENT FURNISHED UNDER THIS CONTRACT.



Chick-fil-A

5200 Buffington Rd.
Atlanta Georgia,
30349-2998

Revisions:
Mark Date By
1 8/1/24 ree
2 8/20/24

Mark Date By

Mark Date By

seal

AN 03030
CA 94660
03030
CONSTRUCTION
PH: 407-848-9008
TX: 407-857-9108

INTERPLAN 31
ARCHITECTURE
ENGINEERING
INTERIOR DESIGN
PROJECT MANAGEMENT

STORE
SERIES
FSU 03-A

DOLPHIN VILLAGE
4823 GULF BLVD.
ST. PETE BEACH, FL

SHEET TITLE
MECHANICAL
SPECIFICATIONS

DWG. EDITION: 03.8

Job No.: 2064.0255
Store: 1740
Date: 8/30/24
Drawn By:
Checked By:

Sheet

M-4.0