

FOR
 CONSTRUCTION

COPYRIGHT 2025
 THIS DRAWING IS AN INSTRUMENT OF SERVICE
 AND AS SUCH REMAINS THE PROPERTY OF
 CHIPOTLE MEXICAN GRILL, INC. PERMISSION FOR
 USE OF THIS DOCUMENT IS LIMITED AND CAN BE
 EXTENDED ONLY BY WRITTEN AGREEMENT WITH
 CHIPOTLE MEXICAN GRILL, INC.



CHIPOTLE MEXICAN GRILL, INC.
 PO BOX 182566
 COLUMBUS, OH 43218-2566
 TELEPHONE: 614.318.2400
 INTERNET: WWW.CHIPOTLE.COM

STORE NO.: 5584
 GEORGETOWN & I-75
 98 OSBORNE WAY
 GEORGETOWN, KY 40324

Issue Record:	
03/19/2025	PERMIT SET
07/16/2025	CONSTRUCTION SET

Revisions:

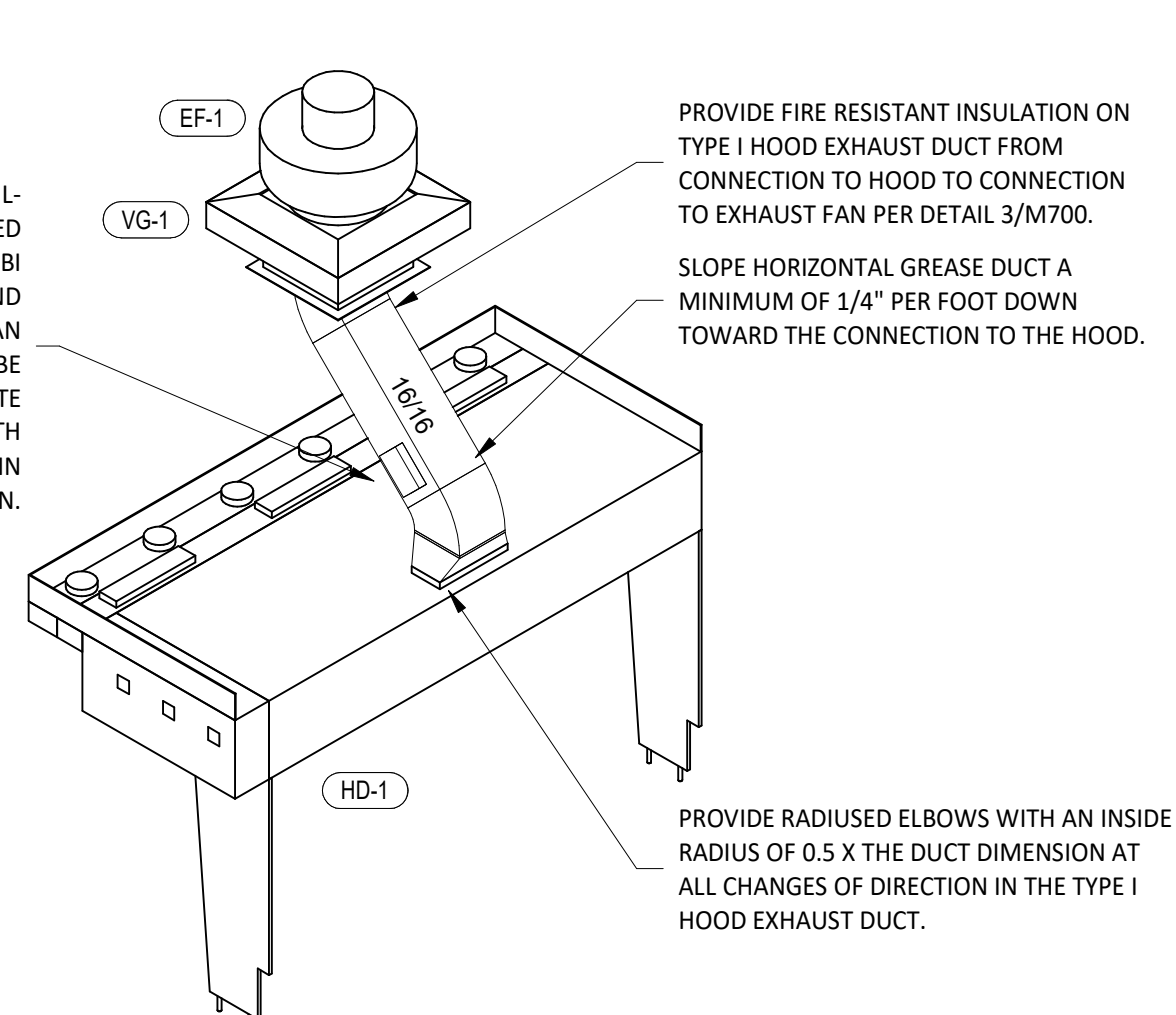
Drawn: JEJ Checked: CJK

Project No:
 2402035

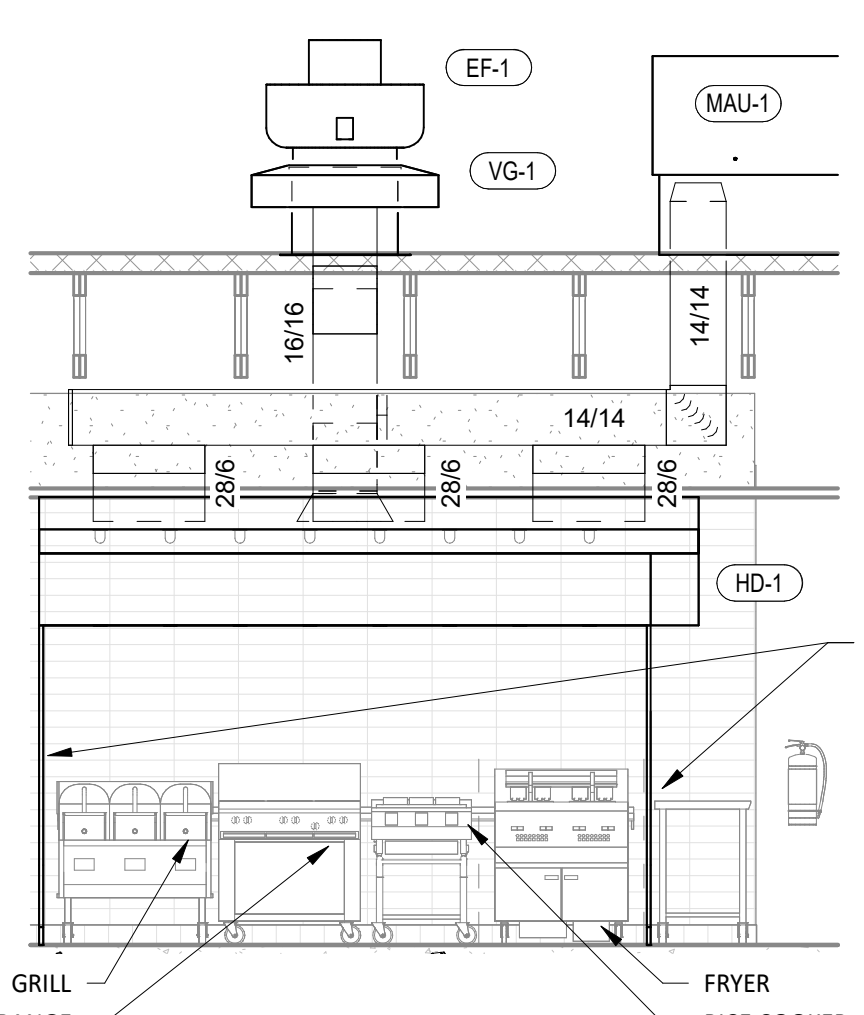
Contents:

HVAC DETAILS

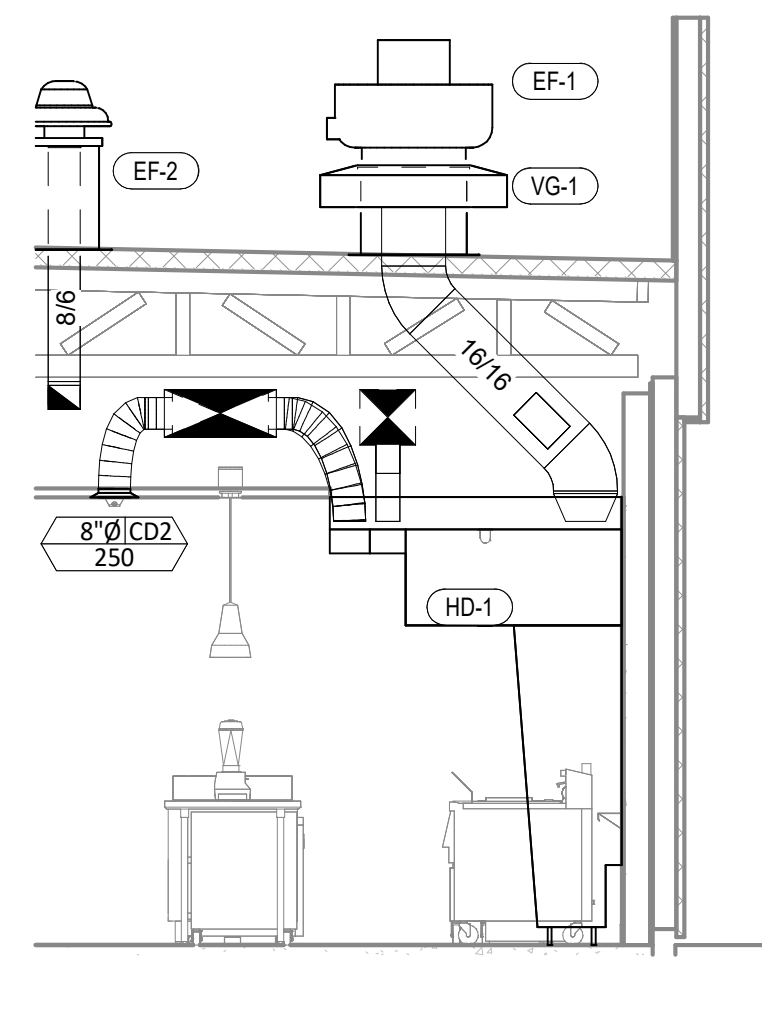
M700



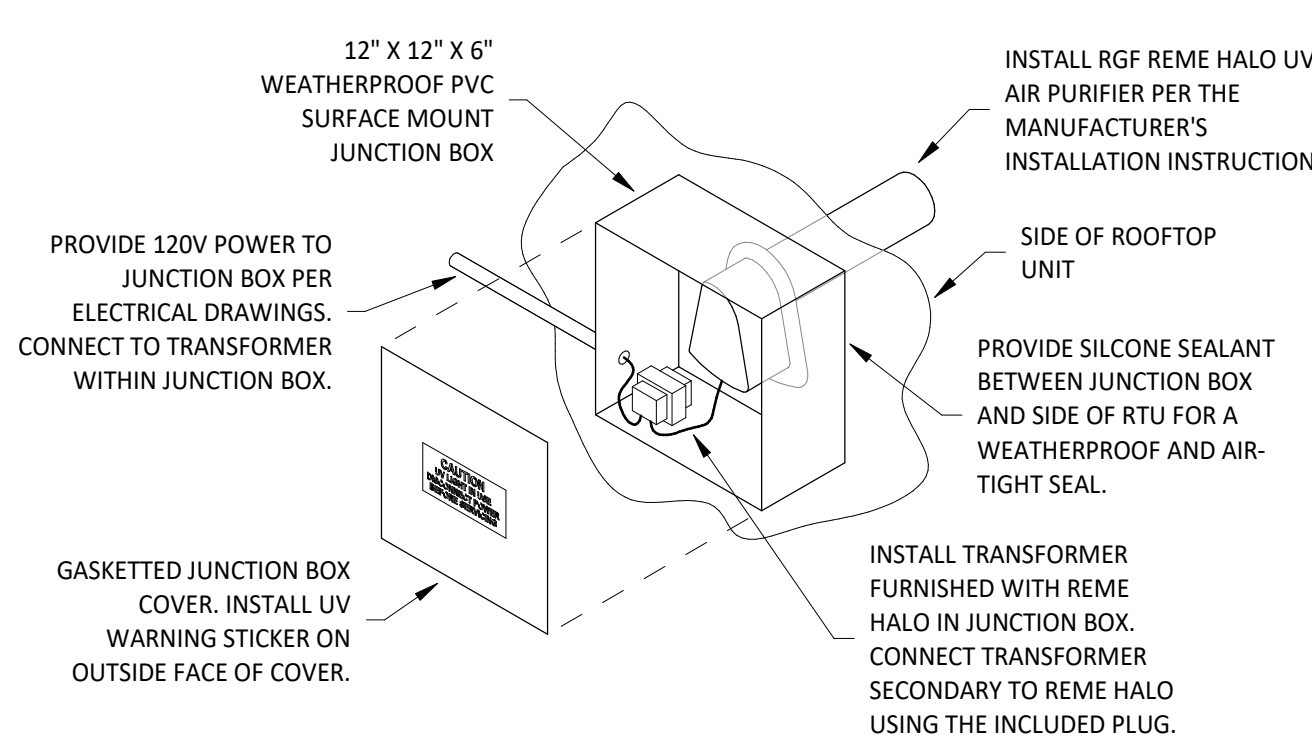
9 HOOD EXHAUST ISOMETRIC
 M700 NOT TO SCALE



8 HOOD ELEVATION
 M700 1/4" = 1'-0"

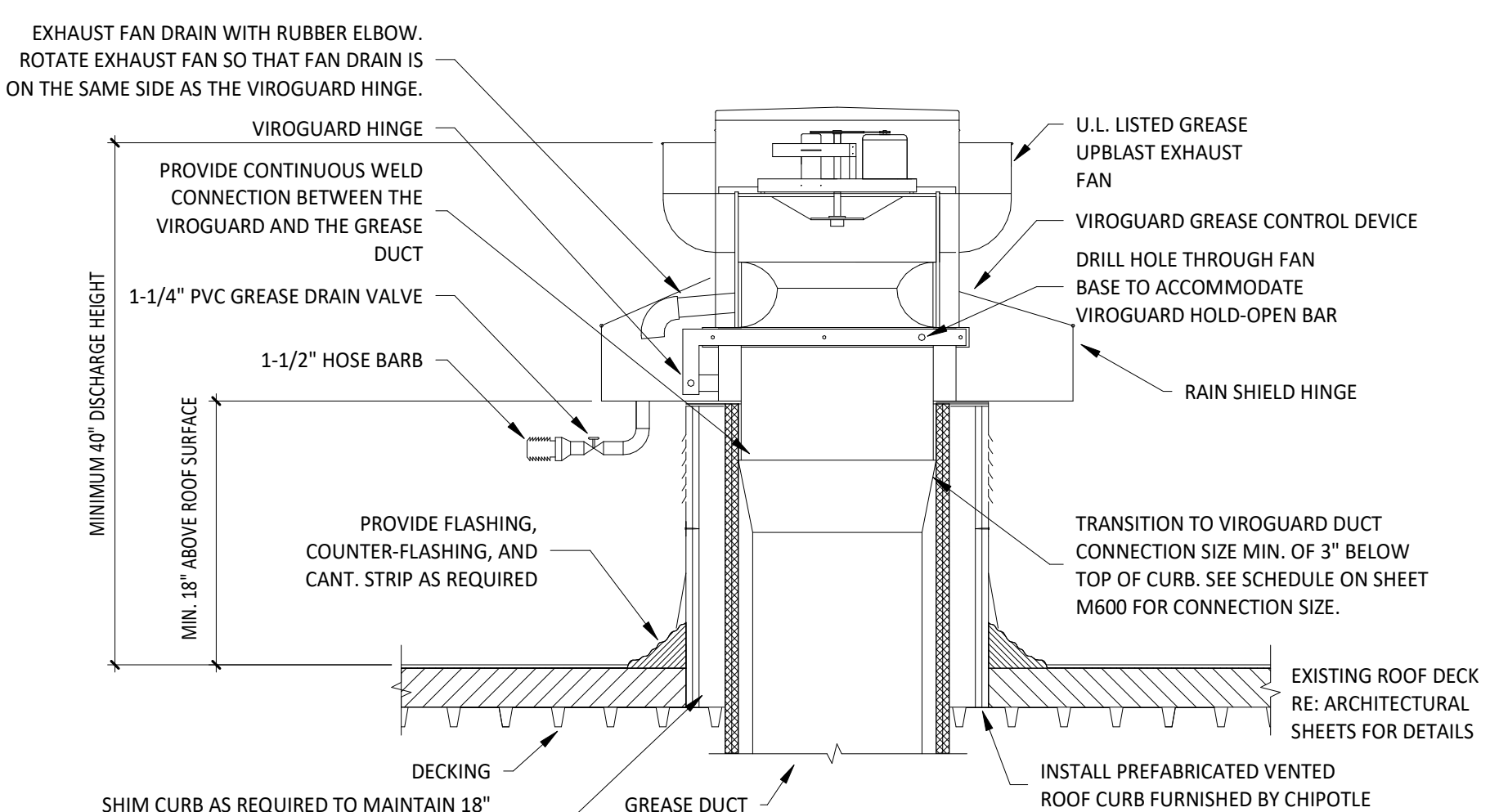


7 DUCT SECTION AT HOOD
 M700 1/4" = 1'-0"



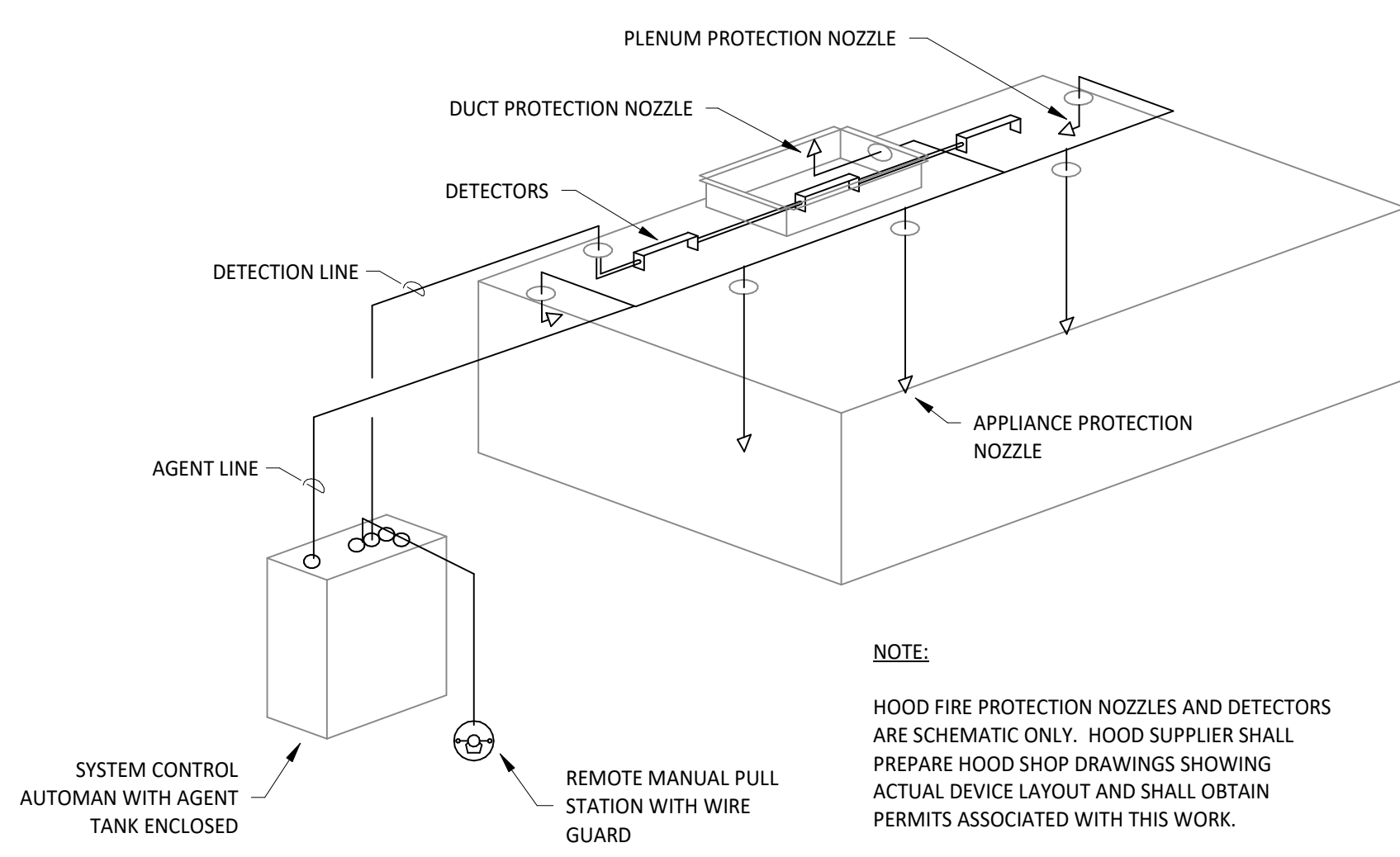
12" X 12" X 6" WEATHERPROOF PVC SURFACE MOUNT JUNCTION BOX
 PROVIDE 120V POWER TO JUNCTION BOX PER ELECTRICAL DRAWINGS. CONNECT TO TRANSFORMER WITHIN JUNCTION BOX.
 GASKETED JUNCTION BOX COVER. INSTALL UV WARNING STICKER ON OUTSIDE FACE OF COVER.
 INSTALL RGF REME HALO UV AIR PURIFIER PER THE MANUFACTURER'S INSTALLATION INSTRUCTIONS.
 SIDE OF ROOFTOP UNIT
 PROVIDE SILICONE SEALANT BETWEEN JUNCTION BOX AND SIDE OF RTU FOR A WEATHERPROOF AND AIR-TIGHT SEAL.
 INSTALL TRANSFORMER FURNISHED WITH REME HALO IN JUNCTION BOX. CONNECT TRANSFORMER SECONDARY TO REME HALO USING THE INCLUDED PLUG.

6 UV AIR PURIFIER INSTALLATION
 M700 NOT TO SCALE

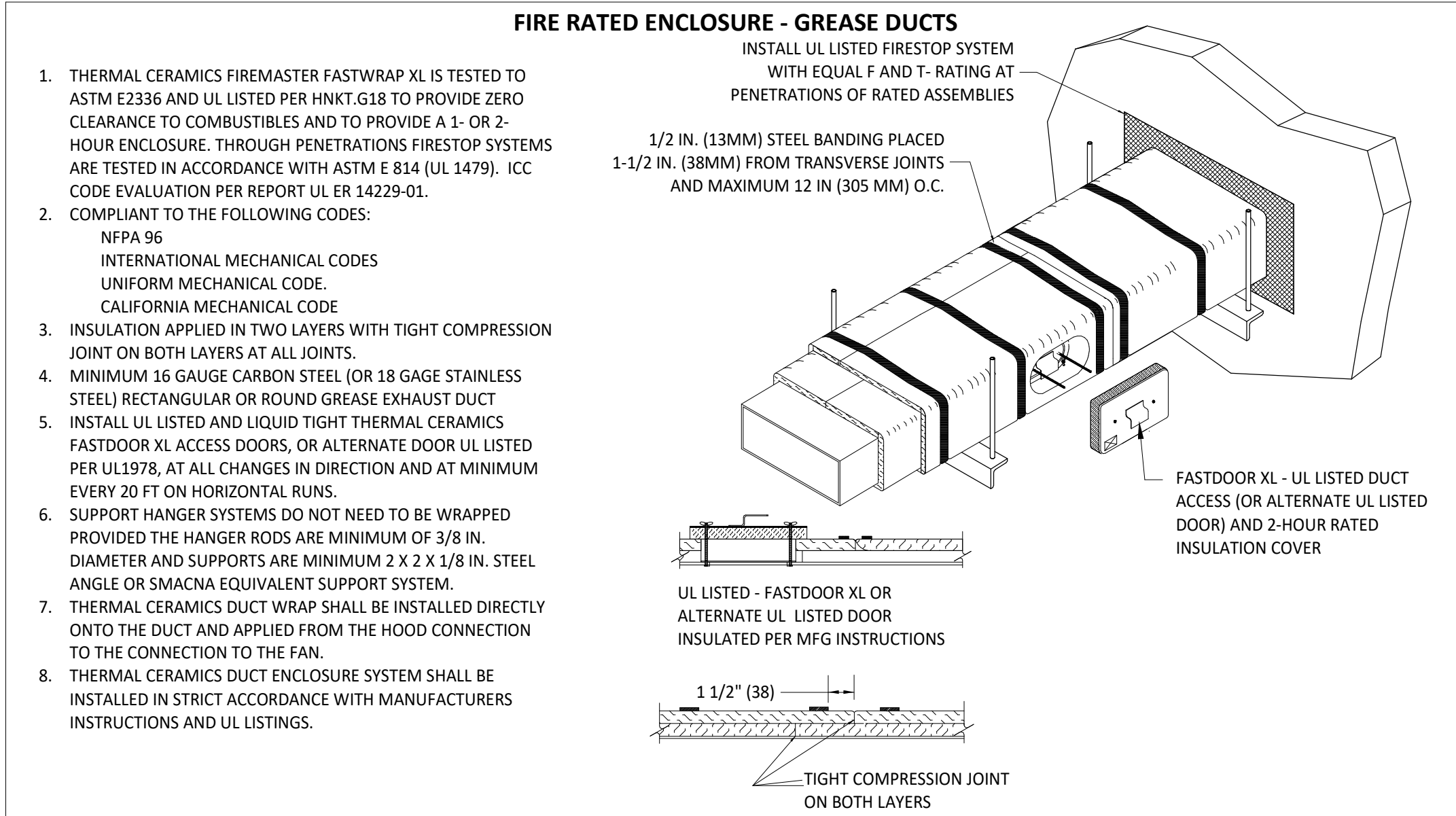


EXHAUST FAN DRAIN WITH RUBBER ELBOW. ROTATE EXHAUST FAN SO THAT FAN DRAIN IS ON THE SAME SIDE AS THE VIROGUARD HINGE.
 VIROGUARD HINGE
 PROVIDE CONTINUOUS WELD CONNECTION BETWEEN THE VIROGUARD AND THE GREASE DUCT
 1-1/4" PVC GREASE DRAIN VALVE
 1-1/2" HOSE BARB
 U.L. LISTED GREASE UPBLAST EXHAUST FAN
 VIROGUARD GREASE CONTROL DEVICE
 DRILL HOLE THROUGH FAN BASE TO ACCOMMODATE VIROGUARD HOLD-OPEN BAR
 RAIN SHIELD HINGE
 PROVIDE FLASHING, COUNTER-FLASHING, AND CANT. STRIP AS REQUIRED
 TRANSITION TO VIROGUARD DUCT CONNECTION SIZE MIN. OF 3" BELOW TOP OF CURB. SEE SCHEDULE ON SHEET M600 FOR CONNECTION SIZE.
 EXISTING ROOF DECK RE: ARCHITECTURAL SHEETS FOR DETAILS
 INSTALL PREFABRICATED VENTED ROOF CURB FURNISHED BY CHIPOTLE
 DECKING
 SHIM CURB AS REQUIRED TO MAINTAIN 18" CLEARANCE FROM BOTTOM OF VIROGUARD TO ROOF SURFACE AND OTHER COMBUSTIBLE MATERIALS. SEE STRUCTURAL DRAWINGS FOR ANY REQUIRED CONNECTION DETAILS.
 GREASE DUCT
 NOTE:
 1. INSTALLATION SHALL BE IN ACCORDANCE WITH NFPA 96 REQUIREMENTS.
 2. HINGE FAN SO IT TIPS BACK TOWARD FAN DRAIN AND TOWARD VIROGUARD DRAIN.

5 GREASE EXHAUST FAN
 M700 NOT TO SCALE



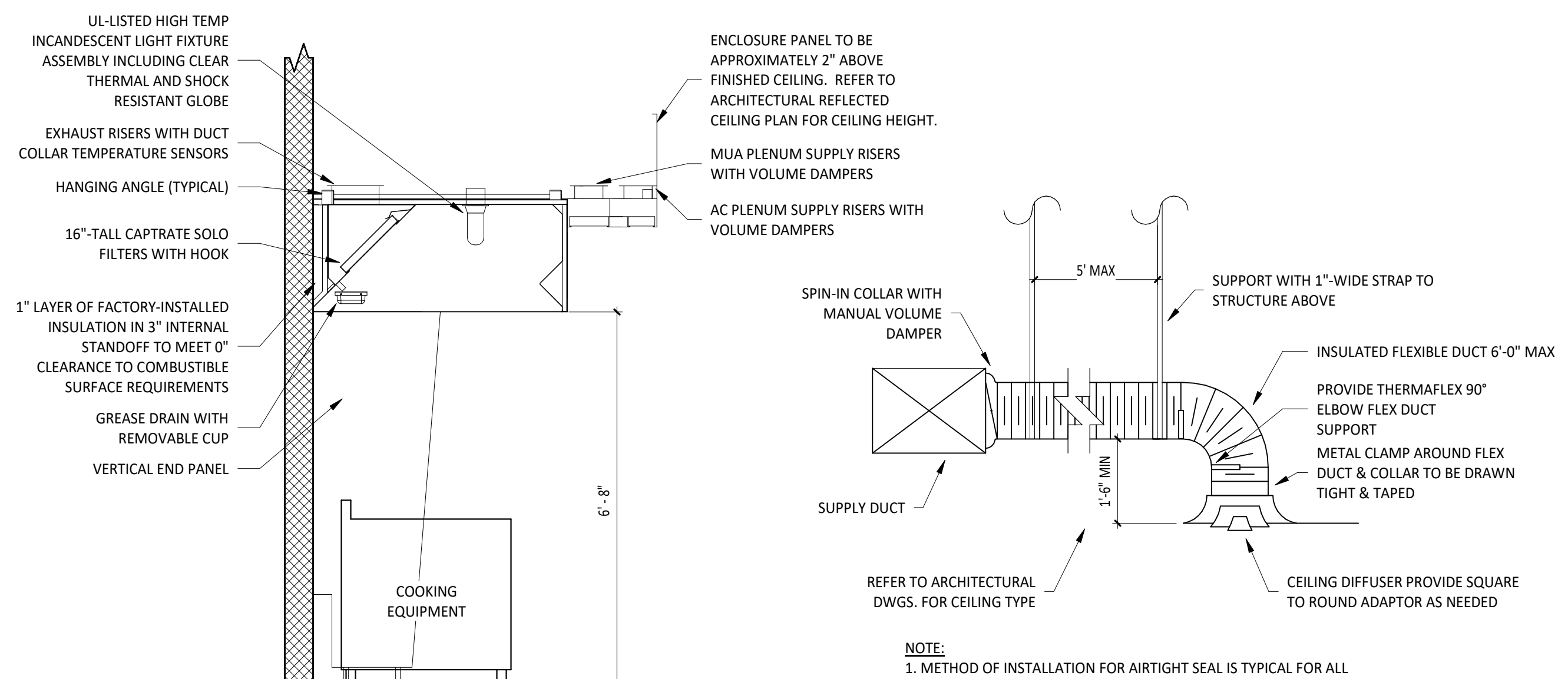
4 FIRE SUPPRESSION SYSTEM SCHEMATIC
 M700 NOT TO SCALE



1. THERMAL CERAMICS FIREMASTER FASTWRAP XL IS TESTED TO ASTM E2336 AND UL LISTED PER HNK1.G18 TO PROVIDE ZERO CLEARANCE TO COMBUSTIBLES AND TO PROVIDE A 1- OR 2-HOUR ENCLOSURE. THROUGH PENETRATIONS FIRESTOP SYSTEMS ARE TESTED IN ACCORDANCE WITH ASTM E 814 (UL 1479). ICC CODE EVALUATION PER REPORT UL 14229-01.
2. COMPLIANT TO THE FOLLOWING CODES:
 NFPA 96
 INTERNATIONAL MECHANICAL CODES
 UNIFORM MECHANICAL CODE
 CALIFORNIA MECHANICAL CODE
3. INSULATION APPLIED IN TWO LAYERS WITH TIGHT COMPRESSION JOINT ON BOTH LAYERS AT ALL JOINTS.
4. MINIMUM 16 GAUGE CARBON STEEL (OR 18 GAGE STAINLESS STEEL) RECTANGULAR OR ROUND GREASE EXHAUST DUCT
5. INSTALL UL LISTED AND LIQUID TIGHT THERMAL CERAMICS FASTDOOR XL ACCESS DOORS, OR ALTERNATE DOOR UL LISTED PER UL1978, AT ALL CHANGES IN DIRECTION AND AT MINIMUM EVERY 20 FT ON HORIZONTAL RUNS.
6. SUPPORT HANGER SYSTEMS DO NOT NEED TO BE WRAPPED PROVIDED THE HANGER RODS ARE MINIMUM OF 3/8 IN. DIAMETER AND SUPPORTS ARE MINIMUM 2 X 2 X 1/8 IN. STEEL ANGLE OR SMACNA EQUIVALENT SUPPORT SYSTEM.
7. THERMAL CERAMICS DUCT WRAP SHALL BE INSTALLED DIRECTLY ONTO THE DUCT AND APPLIED FROM THE HOOD CONNECTION TO THE CONNECTION TO THE FAN.
8. THERMAL CERAMICS DUCT ENCLOSURE SYSTEM SHALL BE INSTALLED IN STRICT ACCORDANCE WITH MANUFACTURERS INSTRUCTIONS AND UL LISTINGS.

INSTALL UL LISTED FIRESTOP SYSTEM WITH EQUAL F AND T- RATING AT PENETRATIONS OF RATED ASSEMBLIES
 1/2 IN. (13MM) STEEL BANDING PLACED 1-1/2 IN. (38MM) FROM TRANSVERSE JOINTS AND MAXIMUM 12 IN. (305 MM) O.C.
 FASTDOOR XL - UL LISTED DUCT ACCESS (OR ALTERNATE UL LISTED INSULATION COVER)
 UL LISTED - FASTDOOR XL OR ALTERNATE UL LISTED DOOR INSULATED PER MFG INSTRUCTIONS
 TIGHT COMPRESSION JOINT ON BOTH LAYERS

3 FIREMASTER DUCT WRAP - UL HNK1-G18
 M700 NOT TO SCALE



UL-LISTED HIGH TEMP INCANDESCENT LIGHT FIXTURE ASSEMBLY INCLUDING CLEAR THERMAL AND SHOCK RESISTANT GLOBE
 EXHAUST RISERS WITH DUCT COLLAR TEMPERATURE SENSORS
 HANGING ANGLE (TYPICAL)
 16"-TALL CAPTRATE SOLO FILTERS WITH HOOK
 1" LAYER OF FACTORY-INSTALLED INSULATION IN 3" INTERNAL STANDOFF TO MEET 0" CLEARANCE TO COMBUSTIBLE SURFACE REQUIREMENTS
 GREASE DRAIN WITH REMOVABLE CUP
 VERTICAL END PANEL
 ENCLOSURE PANEL TO BE APPROXIMATELY 2" ABOVE FINISHED CEILING. REFER TO ARCHITECTURAL REFLECTED CEILING PLAN FOR CEILING HEIGHT.
 MUA PLENUM SUPPLY RISERS WITH VOLUME DAMPERS
 AC PLENUM SUPPLY RISERS WITH VOLUME DAMPERS
 SPIN-IN COLLAR WITH MANUAL VOLUME DAMPER
 SUPPORT WITH 1"-WIDE STRAP TO STRUCTURE ABOVE
 INSULATED FLEXIBLE DUCT 6'-0" MAX
 PROVIDE THERMAFLEX 90° ELBOW FLEX DUCT SUPPORT
 METAL CLAMP AROUND FLEX DUCT & COLLAR TO BE DRAWN TIGHT & TAPED
 CEILING DIFFUSER PROVIDE SQUARE TO ROUND ADAPTOR AS NEEDED
 SUPPLY DUCT
 REFER TO ARCHITECTURAL DWGS. FOR CEILING TYPE

2 HOOD SECTION VIEW
 M700 NOT TO SCALE

1 DIFFUSER CONNECTION
 M700 NOT TO SCALE

NOTE:
 1. METHOD OF INSTALLATION FOR AIRTIGHT SEAL IS TYPICAL FOR ALL FLEX CONNECTIONS TO AIR DISTRIBUTION DEVICES.