

FIELD VERIFY EXISTING AIR DEVICE NECK SIZE PRIOR TO ORDERING REPLACEMENT. TYPICAL.

HOLD NEW DUCT AS HIGH AS POSSIBLE DUE TO LIMITED CLEARANCE ABOVE CEILING.

AIR CURTAIN REMOTE WALL SWITCHES BY MECHANICAL. REFER TO AIR DOOR SCHEDULE AND AIR CURTAIN WIRING DIAGRAM FOR FURTHER INFORMATION. COORDINATE EXACT LOCATION FOR SWITCHES WITH KITCHEN ELEVATIONS.

ELECTRIC HEATER CENTERED OVER DOOR. MC TO MOUNT ON WALL PER MANUFACTURER'S RECOMMENDATIONS.

NEW AIR CURTAIN AD#1 MOUNTED IN CEILING GRID, CENTERED ON THE DOOR AT 4" OFF THE EXTERIOR WALL. MECHANICAL CONTRACTOR SHALL ADJUST THE AIR DEFLECTORS TOWARD AIR DIVERTER BOX.

G.C. TO HIRE VENTILATION CLEANING CONTRACTOR CERTIFIED BY NATIONAL AIR DUCT CLEANERS ASSOCIATION (NADCA) TO CLEAN ALL EXISTING DUCTWORK THAT IS TO REMAIN.

**1 MECHANICAL FLOOR PLAN**  
1/4" = 1'-0"

**KEY NOTES**

- CONNECT NEW AIR DEVICE TO EXISTING TAKE-OFF. IF NECESSARY, MECHANICAL CONTRACTOR SHALL PROVIDE AND INSTALL NEW DUCT IN ORDER TO MAKE CONNECTION TO AIR DEVICE IN NEW LOCATION. ANY FLEX DUCT USED SHALL NOT BE LONGER THAN 4'-0". SEE DETAIL 1/M-401. COORDINATE AIR DEVICE LOCATIONS WITH ARCHITECTURAL REFLECTED CEILING PLAN.
- AIR CURTAIN MOUNTED OVER DOOR HEADER AT 7'-2" AFF TO BOTTOM OF UNIT. PROVIDE BLOCKING IN WALL BEHIND AIR CURTAIN. USE FACTORY PRE-PUNCHED HOLES ON BACK SIDE OF AIR CURTAIN ONLY. ATTACH AIR CURTAIN TO WALL USING 3/8" LAG BOLTS, LENGTH AS REQUIRED TO FULLY PENETRATE BLOCKING. LOCATE MAGNETIC CONTACT TYPE MICROSWITCH IN DOOR FRAME ON STRIKE SIDE.
- BRANCH TAKE-OFFS SHALL NOT BE LOCATED CLOSER THAN 3'-0" FROM ANY ELBOW INCLUDING THE SUPPLY AIR DROP FROM CURB.
- TRANSITION IN VERTICAL DROP FROM FULL SIZE OF CURB OPENING TO SIZE SHOWN. TRANSITION WITHIN CURB WHERE REQUIRED TO AVOID STRUCTURE. PROVIDE TURNING VANES IN ELBOWS, INCLUDING THE SUPPLY AIR DROP FROM UNIT. TERMINATE DROP A MINIMUM 0'-10" ABOVE CEILING (0'-4" ABOVE CEILING IF REQUIRED TO ACCOMMODATE TAKE-OFF AND DROP IS NOT LOCATED ABOVE A LIGHT).
- TRANSITION IN VERTICAL DROP FROM FULL SIZE OF CURB OPENING TO SIZE SHOWN. SEE DETAIL ON SHEET M-401 FOR REQUIRED TRANSITION GEOMETRY. TRANSITION WITHIN CURB WHERE REQUIRED TO AVOID STRUCTURE. NO TURNING VANES IN ELBOW. TERMINATE A MINIMUM 0'-10" ABOVE CEILING (0'-4" ABOVE CEILING IF REQUIRED TO ACCOMMODATE TAKE-OFF AND DROP IS NOT LOCATED DIRECTLY ABOVE A LIGHT).
- HALCON MBD DAMPER AT HOOD COLLAR BY MECHANICAL CONTRACTOR. REFER TO SHEET M-301 AND HOOD SHOP DRAWINGS FOR FURTHER INFORMATION.
- MECHANICAL CONTRACTOR TO ADJUST AIR PATTERN DEFLECTORS TO THROW STRAIGHT DOWN.
- GREASE DUCT UP THRU ROOF FROM FULL SIZE OF MBD COLLAR. OFFSETS THRU ROOF NOT TO BE GREATER THAN 45 DEGREES. SEE SHEET M-250 FOR CONTINUATION.
- MOUNT NEW SMOKE DETECTOR TEST/RESET STATIONS FOR ALL AC UNITS ON WALL. COORDINATE EXACT LOCATION WITH KITCHEN ELEVATIONS AND ELECTRICAL. CONTACT SUNCOAST ENVIRONMENTAL CONTROLS AT 1-877-544-6679 TO PURCHASE A NEW SMOKE DETECTOR TEST/RESET STATION FOR EACH RTU.
- ROUTE DUCT BETWEEN WALL STUDS ABOVE CEILING. COORDINATE WITH ARCHITECTURAL AND STRUCTURAL FOR EXACT LOCATION. USE 1" WRAP INSULATION AT WALL PENETRATION.
- ANSUL UTILITY CABINET. LOCATE TOP OF CABINET 0'-2" BELOW CEILING. COORDINATE FINAL MOUNTING LOCATION WITH KITCHEN EQUIPMENT.
- PROVIDE AND INSTALL NEW SPIN-IN COLLAR AND ROUTE NEW DUCT AS SHOWN.
- RUSKIN MODEL MDRS25 OR EQUIVALENT MANUAL VOLUME DAMPER WITH LOCKING QUADRANT HANDLE.
- YOUNG REGULATOR 12" MODEL 2010 ROUND ZONE DAMPER WITH MODEL T-312CE AUTOMATIC CHANGE-OVER THERMOSTAT. MOUNT T'STAT AT 4'-0" AFF. POWER OPEN/SPRING CLOSE. ADJUST MECHANICAL LIMIT FOR 50 CFM MINIMUM AIRFLOW. CHICK-FIL-A HAS A NATIONAL ACCOUNT WITH TOM BARRROW COMPANY FOR THE ZONE DAMPER. THE MECHANICAL CONTRACTOR SHALL PURCHASE THE ZONE DAMPER DIRECTLY FROM TOM BARRROW COMPANY. CONTACT MR. SCOTT GEORGE AT 404-351-1010 FOR PRICING AND AVAILABILITY. ZONE DAMPERS NOT PURCHASED THRU TOM BARRROW COMPANY WILL NOT BE ACCEPTED.
- PROVIDE 120V/24V 50VA TRANSFORMER TO SERVE YOUNG REGULATOR ZONE DAMPER ACTUATOR AND THERMOSTAT. POWER TRANSFORMER FROM 120V POWER CIRCUIT THAT REMAINS LIVE 247. PROVIDE ALL NECESSARY WIRING AND COMPONENTS TO MAKE CONTROL AND POWER CONNECTIONS TO TRANSFORMER, ZONE DAMPER, AND THERMOSTAT PER MANUFACTURER'S IOM. SEE DETAIL ON SHEET M-501 FOR MORE INFORMATION.
- MOUNT AIR HANDLER ON OVERHEAD WALL ABOVE CASED OPENING. MOUNT UNIT AT 12" ABOVE CASED OPENING. ROUTE REFRIGERANT PIPING ABOVE CEILING AND UP THRU ROOF TO CONDENSING UNIT, CU#1. SEE SHEET M-250 FOR CONDENSING UNIT LOCATION. REFRIGERANT PIPING BELOW ROOF SHALL BE HIDDEN WITHIN WALLS AND CEILINGS.
- ROUTE CONDENSATE ABOVE CEILING FROM AHU#1 AND DOWN IN WALL CAVITY TO AN EXIT POINT 12" ABOVE FLOOR DRAIN TO TERMINATE INTO FLOOR DRAIN LOCATED BEHIND ICE MAKER IN DRIVE-THRU WITH CODE APPROVED AIR GAP. COORDINATE EXACT LOCATION OF DRAIN WITH PLUMBING PLANS. CONDENSATE PIPING SHALL BE TYPE 'K' COPPER WITH 1/2" ARMAFLEX INSULATION. CONDENSATE MUST SLOPE MIN 1/8" PER FOOT TO TERMINATION POINT. CONTRACTOR SHALL INSTALL A CONDENSATE LIFT PUMP IN ORDER TO ROUTE CONDENSATE ABOVE CEILING.
- MOUNT AHU#1 THERMOSTAT ON WALL NEXT TO AD#1 REMOTE WALL SWITCHES. SEE SCHEDULE ON SHEET M-401 FOR INTERLOCK WITH T500 PANEL.
- CONTACT SUNCOAST ENVIRONMENTAL CONTROLS TO PURCHASE A NEW T'STAT FOR EACH NEW RTU. NEW T'STATS SHALL BE INSTALLED IN EXISTING CFA T500 PANEL. CONTROL WIRING TERMINATIONS BETWEEN NEW T'STATS, NEW SENSORS, AND NEW RTUS BY MECHANICAL CONTRACTOR. REFER TO WIRING DIAGRAM ON SHEET M-501.
- MOUNT NEW REMOTE TEMP SENSOR FOR KITCHEN RTU ON WALL AT 5'-8" AFF AND ROUTE NEW WIRING TO NEW T'STAT IN CFA T500 PANEL. COORDINATE FINAL MOUNTING LOCATION IN FIELD WITH KITCHEN EQUIPMENT, SHELFLING, AND ELECTRICAL. MOUNT NEW HUMIDITY SENSOR DIRECTLY ABOVE REMOTE TEMP SENSOR AND ROUTE NEW WIRING TO UNIT ON ROOF. REFER TO WIRING DIAGRAM ON SHEET M-501.
- MOUNT NEW REMOTE TEMP SENSOR AND NEW HUMIDITY SENSOR FOR RTU IN THE SAME LOCATION AS DEMOLISHED SENSORS. ROUTE NEW WIRING FOR REMOTE TEMP SENSOR TO NEW T'STAT IN CFA T500 PANEL. ROUTE NEW WIRING FOR HUMIDITY SENSOR TO UNIT ON ROOF. REFER TO WIRING DIAGRAM ON SHEET M-501.
- MOUNT NEW REMOTE TEMP SENSOR FOR RTU ON WALL AT 5'-0" AFF (OR ABOVE WAINSCOTING IF APPLICABLE) AND ROUTE NEW WIRING TO NEW T'STAT IN CFA T500 PANEL. MOUNT NEW HUMIDITY SENSOR DIRECTLY ABOVE REMOTE TEMP SENSOR AND ROUTE NEW WIRING TO UNIT ON ROOF. REFER TO WIRING DIAGRAM ON SHEET M-501.
- INSTALL NEW DUCT SMOKE DETECTOR IN THE SAME LOCATION AS DEMOLISHED DUCT SMOKE DETECTOR. ROUTE NEW WIRING TO NEW SMOKE DETECTOR TEST/RESET STATION ON KITCHEN WALL. REFER TO WIRING DIAGRAM ON SHEET M-501.
- MECHANICAL CONTRACTOR TO CLOSE THE AIR PATTERN DEFLECTORS ON THE SHADED SIDE.
- RE-BALANCE AIR DEVICE TO CFM SHOWN.
- ROUTE DUCT WITHIN STRUCTURE TO AVOID CONFLICT.
- TRANSFER AIR DUCT, NO BALANCING DAMPERS AT GRILLES.
- GC TO CONFIRM EXACT LOCATION OF AC#3 MAIN DUCT RUNS RELATIVE TO PROPOSED NEW WALL PRIOR TO START OF CONSTRUCTION. CONTACT JLL PM OR AOR IF DETERMINED THERE IS A CONFLICT.

| LEGEND   |   |      |                                 |
|----------|---|------|---------------------------------|
| A-12-400 | TYPE - NECK SIZE - CFM  | EF#1 | EXHAUST FAN #1 (TYP.)           |
|          | SPIN-IN FITTING WITH MANUAL BALANCING DAMPER, WITHOUT SCOOP   | AC#1 | AIR CONDITIONING UNIT #1 (TYP.) |
|          | SPIN-IN HARD Ø FLEXIBLE Ø DIFFUSER  |      | RETURN/EXHAUST (TYP.)           |
|          | REMOTE TEMPERATURE SENSOR   |      | SUPPLY DIFFUSER, SQ FACE (TYP.) |
|          | HUMIDITY SENSOR   |      | PLAN NOTE REFERENCE             |
|          | SMOKE DETECTOR  |      | MANUAL VOLUME DAMPER            |
|          | DUCT SIZE (reverse for elevation views)<br>1ST NUMBER - HORIZONTAL DIMENSION<br>2ND NUMBER - VERTICAL DIMENSION |      | DIRECTION OF THROW ON DIFFUSER  |
|          | CLOSED AIR PATTERN DEFLECTOR  |      | GAS INFRARED HEATER (TYP.)      |
|          | AIR DOOR SWITCH   |      | BELOW GRADE                     |
|          | ELECTRICAL CONTRACTOR   |      | THERMOSTAT                      |
|          | POINT OF CONNECTION TO EXISTING   |      | SMOKE DETECTOR ANNUNCIATOR      |

**H.E.S. SYSTEM**  
MECHANICAL CONTRACTOR TO PROVIDE AND INSTALL SUNCOAST H.E.S. SYSTEM FOR ALL HOODS. SEE HOOD FAN/EQUIPMENT INTERLOCK WIRING DIAGRAM ON M-501 FOR MORE INFORMATION.

EXISTING CONDITIONS SHOWN ARE FROM PREVIOUS DRAWINGS. MECHANICAL CONTRACTOR SHALL FIELD VERIFY EXACT LOCATIONS OF ALL DUCT AND DIFFUSERS. IF MAJOR DIFFERENCES OCCUR IN FIELD, CONTACT CHICK-FIL-A CONSTRUCTION MANAGER.

**SHEET NOTES**

- DUCT SIZES SERVING DIFFUSERS AND GRILLES ARE SAME SIZE AS DIFFUSER OR GRILLE NECK UNLESS NOTED OTHERWISE.
- HARDPIPE SHALL BE USED FOR ALL TAKE-OFFS EXCEPT WHERE ALLOWED BY DETAIL 1/M-401. USE OF FLEXIBLE DUCT SHALL BE LIMITED TO THOSE SITUATIONS WHERE NO OTHER MEANS TO ACCOMPLISH ROUTING IS POSSIBLE.
- COORDINATE NEW WORK WITH EXISTING CONDUITS, STRUCTURE, AND PIPING. FIELD VERIFY EXISTING CONDITIONS PRIOR TO COMMENCING WORK. CONTRACTOR TO NOTIFY DESIGN TEAM WITHOUT DELAY IF ACTUAL LOCATION OF EXISTING MECHANICAL EQUIPMENT DOES NOT MATCH FLOOR PLAN.
- MECHANICAL CONTRACTOR SHALL BALANCE HVAC SYSTEM AS SHOWN ON THIS PLAN AND IN SCHEDULES ON SHEET M-401. IF AIRFLOWS DIFFER BY MORE THAN 5%, CONTACT CFA CONSTRUCTION MANAGER. TEST AND BALANCE REPORT SHALL BE DONE PRIOR TO STORE TURNOVER AND SUBMITTED TO CFA'S CONSTRUCTION MANAGER.
- AT EACH PIECE OF ROOF EQUIPMENT, PROVIDE A PLASTIC ENGRAVED LABEL WITH 1" HIGH WHITE LETTERS ON A BLACK BACKGROUND. THE LABEL IS TO HAVE A SELF ADHESIVE BACKING.

| AIR BALANCE SCHEDULE |            |            |             |             |                            |
|----------------------|------------|------------|-------------|-------------|----------------------------|
| Mark                 | SUPPLY AIR | RETURN AIR | OUTSIDE AIR | EXHAUST AIR | BUILDING POSITIVE PRESSURE |
| AC#1 NEW             | 8500       | 6500       | 2000        |             |                            |
| AC#2 EXIST           | 2830       | 2080       | 750         |             |                            |
| AC#3 EXIST           | 5000       | 3645       | 1355        |             |                            |
| AC#4 EXIST           | 1800       | 1500       | 300         |             |                            |
| EF#1 NEW             |            |            |             | 1913        |                            |
| EF#2 NEW             |            |            |             | 1402        |                            |
| EF#3 EXIST           |            |            |             | 400         |                            |
|                      | 18130      | 13725      | 4405        | 3715        | 690                        |



**Chick-fil-A**  
5200 Buffington Road  
Atlanta, Georgia  
30349-2998

**Kurzynske & Associates**  
2705 Lebanon Pike - Suite One  
Nashville, Tennessee 37214  
Telephone: (615) 255-5203



**CHICK-FIL-A**  
**WARD PARKWAY FSU**  
8551 State Line Rd  
Kansas City, MO 64114

**FSR#01772**  
BUILDING TYPE / SIZE: S06E-R  
RELEASE: v2.20.08  
PRINTED FOR: ISSUED FOR CONSTRUCTION

| NO. | DATE       | DESCRIPTION   |
|-----|------------|---------------|
| 2   | 01/13/2023 | Issue for Bid |
| 3   | 01/27/2023 | City Comments |

CONSULTANT PROJECT # 22117.CD.R  
DATE 11/30/22  
DRAWN BY DISF  
Information contained on this drawing and all digital files produced for above named project may not be reproduced in any manner without express written or verbal consent from authorizing project representatives.  
SHEET MECHANICAL FLOOR PLAN  
SHEET NUMBER

**M-201**

**DEMOLITION NOTES**

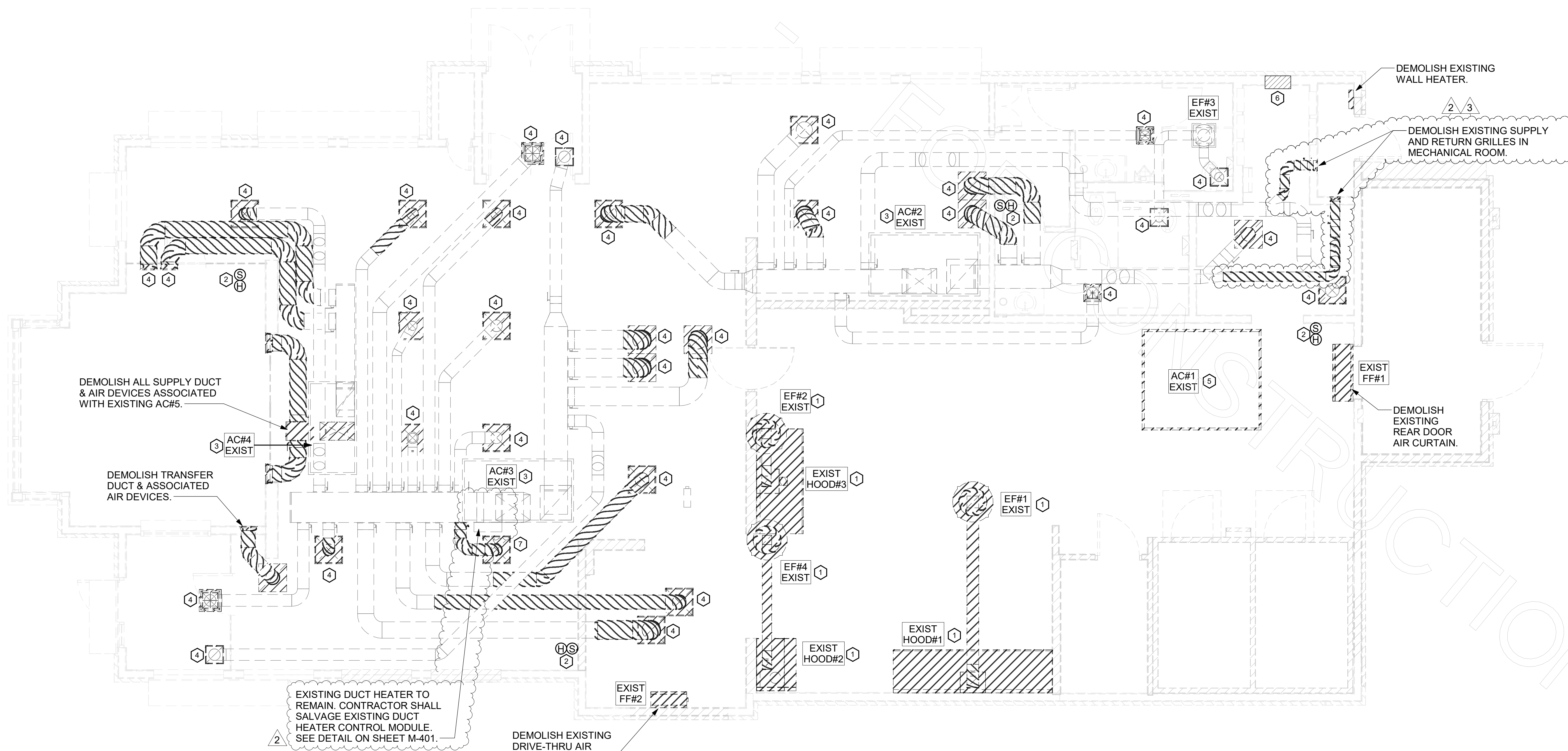
1. CONTRACTOR IS RESPONSIBLE FOR OBTAINING ALL NECESSARY PERMITS AND PAYING ALL APPLICABLE FEES.
2. DISPOSAL OF EQUIPMENT AND MATERIALS REQUIRED TO BE REMOVED SHALL BE THE RESPONSIBILITY OF THE CONTRACTOR PERFORMING THE WORK.
3. DE-ENERGIZE ALL ELECTRICAL CIRCUITS RELATED TO EQUIPMENT THAT WILL BE MOVED OR REMOVED PRIOR TO STARTING WORK. DE-ENERGIZED CIRCUITS SHALL BE PROTECTED WITH LOCKING DEVICES USING APPROPRIATE WARNING LABELS.
4. MECHANICAL CONTRACTOR SHALL BE RESPONSIBLE FOR PATCHING ROOF AFTER REMOVAL OF EXISTING MECHANICAL EQUIPMENT. SEE ARCHITECTURAL DRAWINGS FOR ROOF PATCHING REQUIREMENTS.
5. EXCEPT WHERE NOTED, EXISTING REMOTE TEMPERATURE AND/OR HUMIDITY SENSORS TO REMAIN. IF DURING RENOVATION PURPOSES CONTROLS SHALL BE TAKEN DOWN, MECHANICAL CONTRACTOR SHALL BE RESPONSIBLE FOR REINSTALLING AND TO PROVIDE ANY ADDITIONAL WIRING NEEDED. VERIFY EXISTING UNIT CONTROLS ARE IN GOOD WORKING ORDER. IF NOT, CONTACT CHICK-FIL-A CONSTRUCTION MANAGER.
6. MECHANICAL CONTRACTOR SHALL REPLACE FILTERS FOR ALL RTUS AT END OF PROJECT AND PRIOR TO REOPENING. MC TO PROVIDE PROPOSAL TO FACILITIES MANAGER, CONSTRUCTION MANAGER, AND OPERATOR TO CORRECT EXISTING RTU PUNCH ITEMS IDENTIFIED BY HALTON.
7. CONTRACTOR SHALL INDICATE SALVAGE VALUE IN BID FOR ROOFTOP UNITS BEING REPLACED.

| DEMOLITION LEGEND |   |
|-------------------|---|
|                   | EXISTING EQUIPMENT, DUCT, AIR DEVICE, ETC. TO REMAIN INTACT |
|                   | EXISTING EQUIPMENT, DUCT, AIR DEVICE, ETC. TO BE DEMOLISHED |

EXISTING CONDITIONS SHOWN ARE FROM PREVIOUS DRAWINGS. MECHANICAL CONTRACTOR SHALL FIELD VERIFY EXACT LOCATIONS OF ALL DUCT AND DIFFUSERS. IF MAJOR DIFFERENCES OCCUR IN FIELD, CONTACT CHICK-FIL-A CONSTRUCTION MANAGER.

**KEY NOTES**

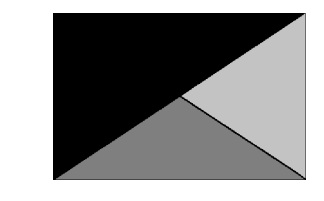
1. DEMOLISH EXISTING HOOD, ALL ASSOCIATED GREASE DUCT, CAPTURE JET FAN AND DIFFUSER (IF EXISTING), EXHAUST FAN, AND ITS ASSOCIATED ROOF CURB. PATCH AND REPAIR ROOF TO MATCH SURROUNDING CONSTRUCTION.
2. EXISTING REMOTE TEMPERATURE AND/OR REMOTE HUMIDITY SENSORS TO BE REPLACED WITH NEW. DEMOLISH ASSOCIATED CONTROL WIRING. SEE SHEET M-201 FOR FURTHER INFORMATION.
3. DEMOLISH EXISTING DUCT SMOKE DETECTOR(S) AND REMOTE TEST/RESET STATION(S) AND ASSOCIATED CONTROL WIRING. SEE SHEET M-201 FOR NEW.
4. DETACH AND DEMOLISH EXISTING AIR DEVICE. SECURE DUCT ABOVE CEILING GRID FOR RE-CONNECTION. SEE SHEET M-201 FOR NEW CONNECTION.
5. DEMOLISH EXISTING KITCHEN AC UNIT, UNIT CONTROLS (REMOTE TEMP SENSOR, REMOTE HUMIDITY SENSOR, T-STAT, REMOTE SMOKE DETECTOR TEST/RESET STATION, ETC.), SUPPLY/RETURN AIR DROPS, AND ALL ASSOCIATED SUPPLY/RETURN DUCT AND AIR DEVICES. COVER EXISTING ROOF CURB WEATHER-TIGHT FOR RE-USE.
6. DEMOLISH EXISTING CFA T500 PANEL AND ALL THERMOSTATS WITHIN.
7. DEMOLISH EXISTING AIR DEVICE AND ASSOCIATED BRANCH DUCT BACK TO PLENUM. SEAL PLENUM AIR-TIGHT.



**1 MECHANICAL DEMO PLAN**  
1/4" = 1'-0"



**Chick-fil-A**  
5200 Buffington Road  
Atlanta, Georgia  
30349-2998



**Kurzynske & Associates**  
2705 Lebanon Pike - Suite One  
Nashville, Tennessee 37214  
Telephone: (615) 255-5203



4/7/23

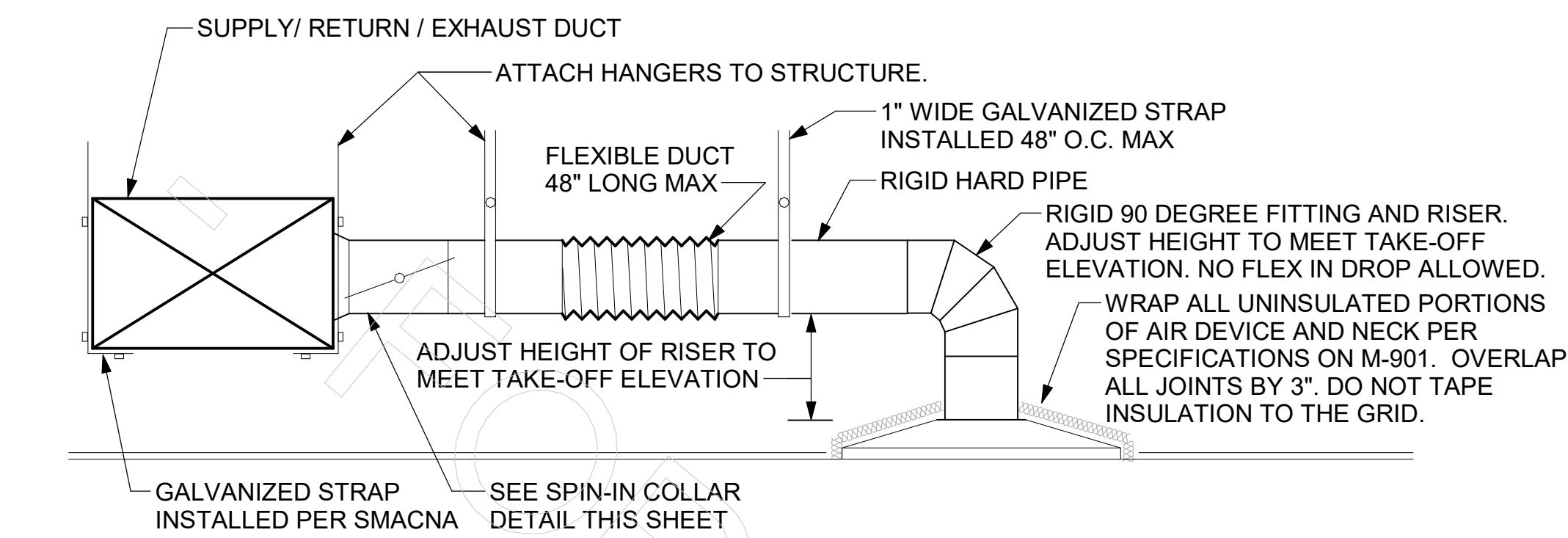
**CHICK-FIL-A**  
**WARD PARKWAY FSU**  
8551 State Line Rd  
Kansas City, MO 64114

**FSR#01772**  
BUILDING TYPE / SIZE: S06E-R  
RELEASE: v2.20.08  
PRINTED FOR:  
**ISSUED FOR CONSTRUCTION**

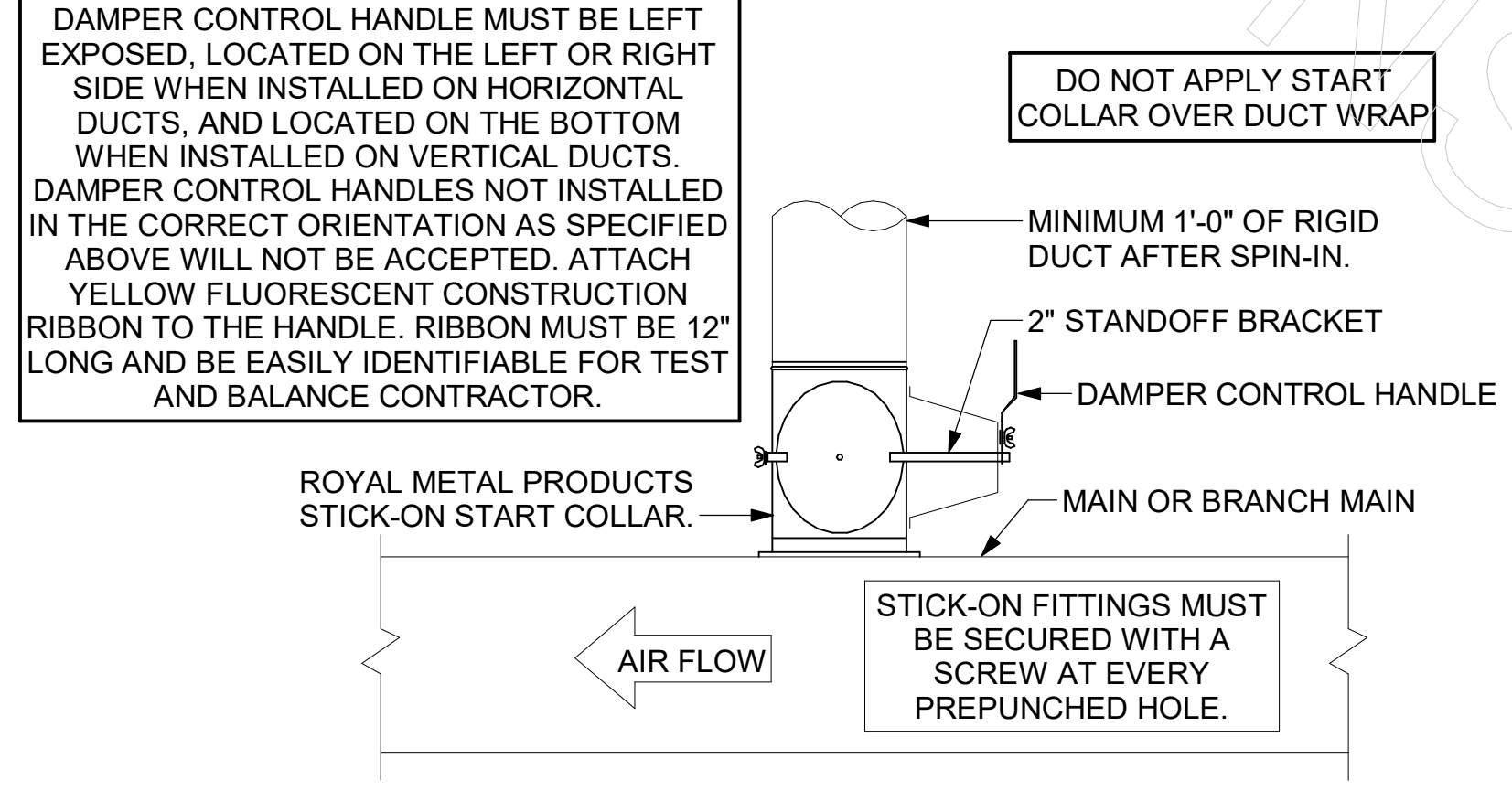
| NO. | DATE       | DESCRIPTION   |
|-----|------------|---------------|
| 2   | 01/13/2023 | Issue for Bid |
| 3   | 01/27/2023 | City Comments |

CONSULTANT PROJECT # 22117.CD.R  
DATE 11/30/22  
DRAWN BY DSF  
Information contained on this drawing and all digital files produced for above named project may not be reproduced in any manner without express written or verbal consent from authorized project representatives.  
**MECHANICAL DEMO PLAN**  
SHEET NUMBER

**M-200**



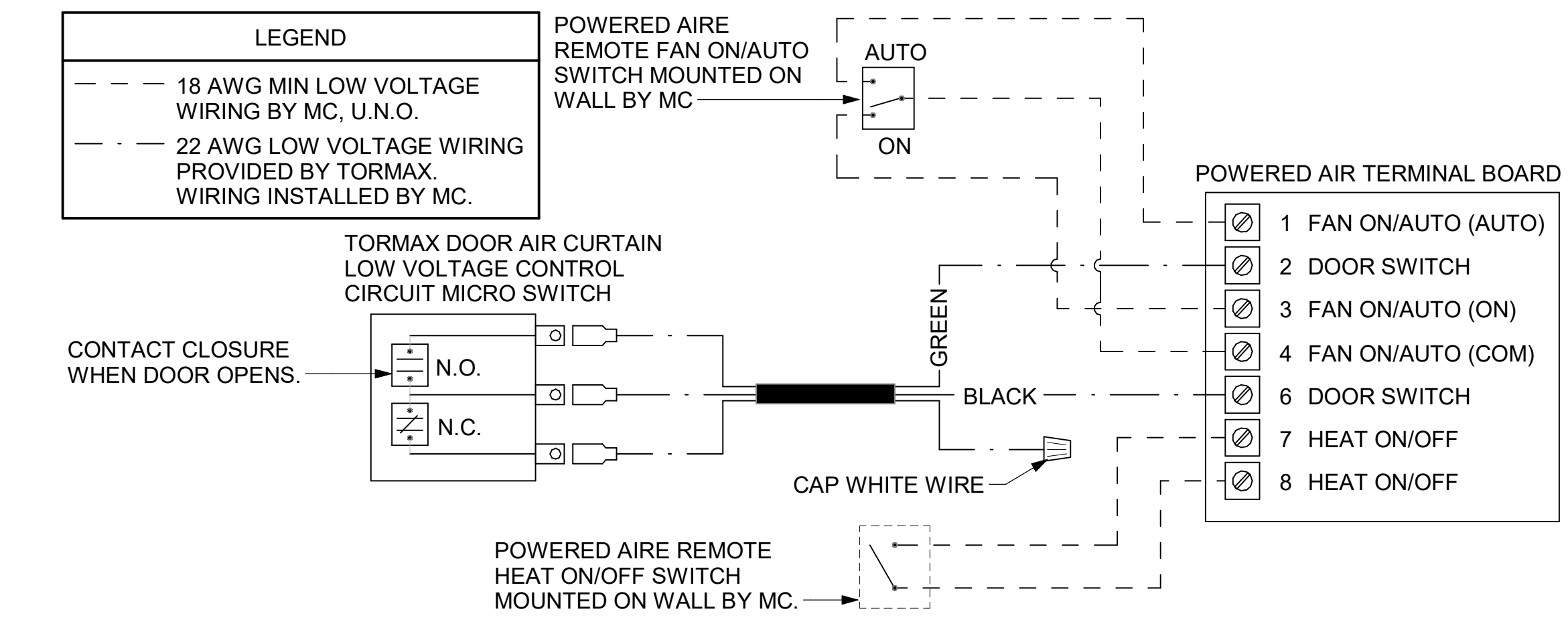
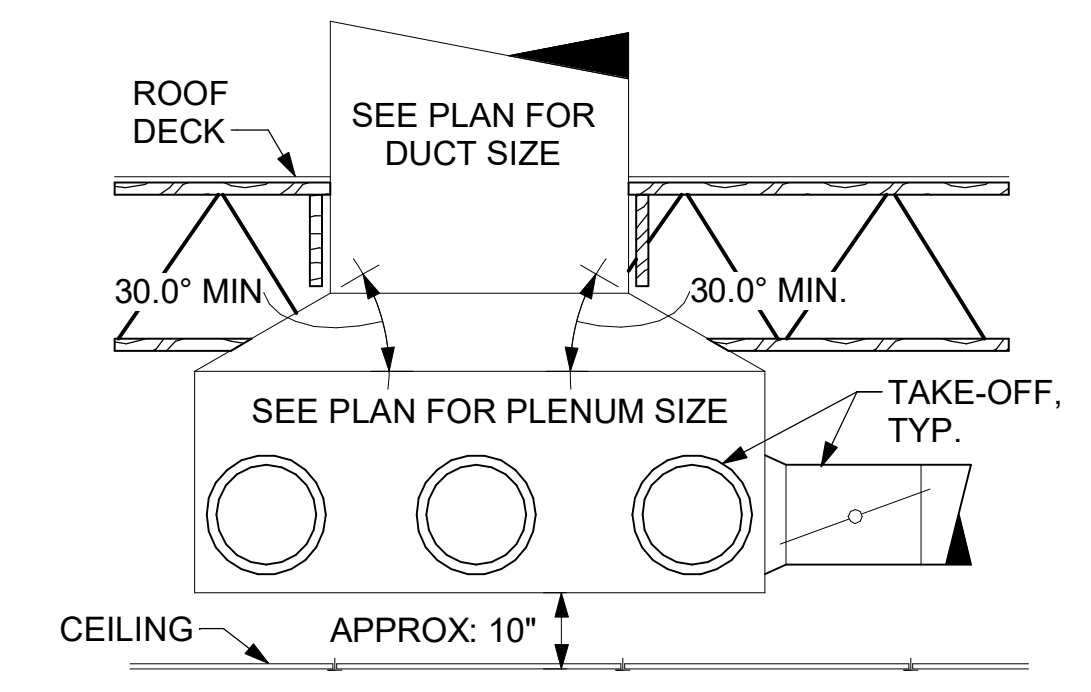
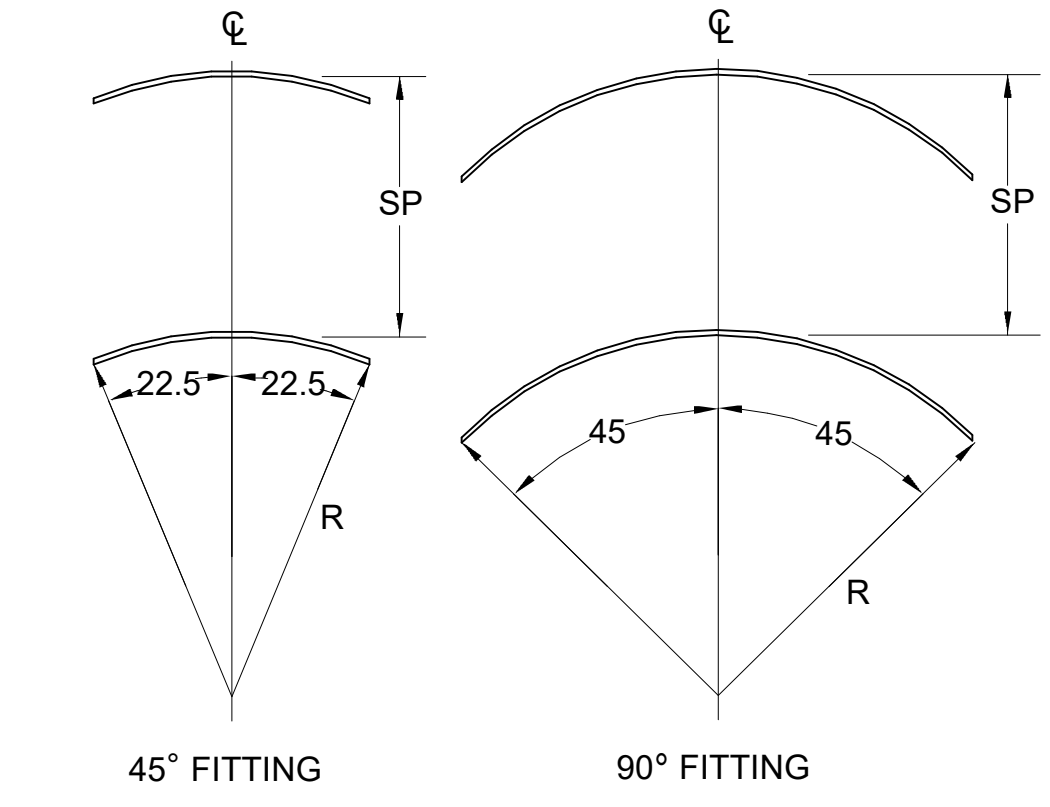
CHICK-FIL-A HAS A NATIONAL ACCOUNT WITH TOM BARROW COMPANY FOR THE ROYAL METAL PRODUCTS START COLLARS FOR BOTH WITH AND WITHOUT A MANUAL BALANCING DAMPER. THE MECHANICAL CONTRACTOR IS REQUIRED TO PURCHASE THE ROYAL METAL PRODUCTS START COLLARS DIRECTLY FROM TOM BARROW COMPANY. CONTACT MR. SCOTT GEORGE AT 404-351-1010 FOR PRICING AND AVAILABILITY. ROYAL METAL PRODUCTS START COLLARS NOT PURCHASED THRU TOM BARROW COMPANY WILL NOT BE ACCEPTED.



TURNING VANE SCHEDULE

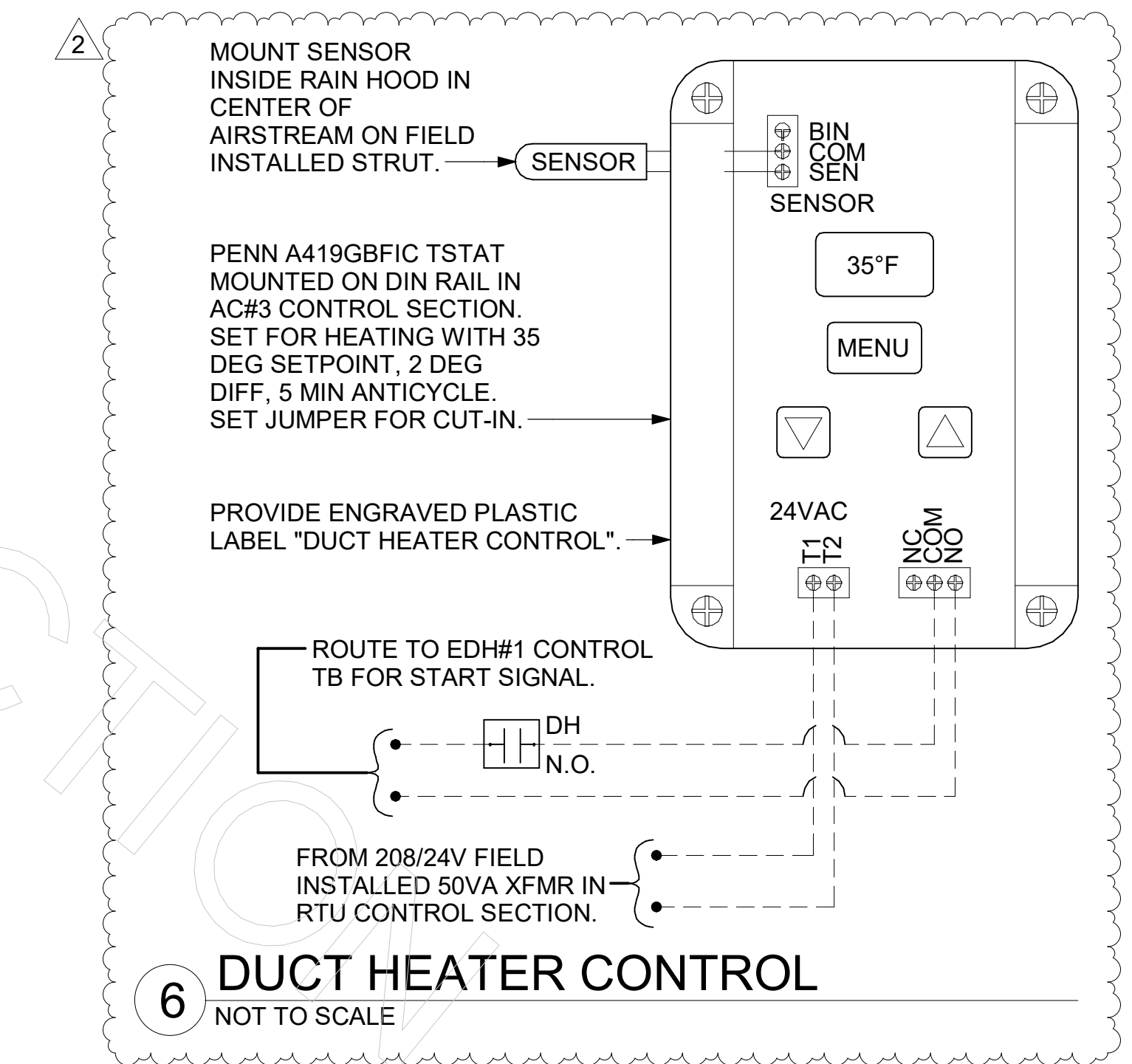
| R  | SP   | GA |
|----|------|----|
| 2" | 1.5" | 24 |

1. NO TRAILING EDGE.  
2. SINGLE THICKNESS CONSTRUCTION.



### LENNOX FRESH AIR TEMPERING SETUP

- INSTALL FRESH AIR TEMPERING KIT WIRING HARNESS AS RECOMMENDED BY LENNOX.
- LOCATE SUPPLY AIR TEMPERATURE SENSOR IN SUPPLY DUCT DOWNSTREAM OF FIRST ELBOW. SECURE WIRING TO DUCT OR STRUCTURE WITH RUBBER COATED CLAMPS. DO NOT RUN WIRING INSIDE DUCT WORK. PROTECT ALL WIRING PENETRATIONS WITH RUBBER GROMMETS.
- CHANGE PRODIGY-M3 BOARD CONTROL PARAMETER #156 TO A VALUE OF 66. THIS WILL PREVENT THE SUPPLY AIR TEMPERATURE FROM DROPPING BELOW 66F DEG DURING HEATING MODE WHEN THERMOSTAT IS NOT ACTIVELY CALLING FOR HEAT. NOTICE - THIS PARAMETER #156 MUST BE CHANGED TO ACTIVATE THE FRESH AIR TEMPERING FEATURE.
- CHANGE PRODIGY-M3 BOARD CONTROL PARAMETER #157 TO A VALUE OF 14. THIS WILL MAKE THE DEADBAND VALUE EQUAL 14F.
- CHANGE PRODIGY-M3 BOARD CONTROL PARAMETER #158 TO A VALUE OF 300. THIS WILL MAKE THE CYCLE TIME VALUE EQUAL 5 MINUTES.



### AIR DOOR SCHEDULE

| MARK     | CFM  | VELOCITY | HEATING CAP | HP     | AREA SERVED           | MODEL      | MANUFACTURER | REMARKS |
|----------|------|----------|-------------|--------|-----------------------|------------|--------------|---------|
| AD#1 NEW | 1543 | 2340 FPM | 10 KW       | 3/4 HP | DRIVE-THRU DOOR       | CHA-148(E) | POWERED AIRE | 1-4     |
| AD#2 NEW | 3867 | 4220 FPM | N/A         | 3/4 HP | REAR DOOR             | RBT-148    | POWERED AIRE | 5       |
| AD#3 NEW | 2899 | 4220 FPM | N/A         | 3/4 HP | DRIVE-THRU SWING DOOR | RBT-136    | POWERED AIRE | 5       |

NOTES: CHICK-FIL-A HAS A NATIONAL ACCOUNT WITH TOM BARROW COMPANY FOR THE AIR DOORS. THE MECHANICAL CONTRACTOR SHALL PURCHASE THE AIR DOORS DIRECTLY FROM TOM BARROW COMPANY. CONTACT MR. SCOTT GEORGE AT 404-351-1010. FOR PRICING AND AVAILABILITY. AIR DOORS NOT PURCHASED THRU TOM BARROW COMPANY WILL NOT BE ACCEPTED.

REMARKS: 1. FACTORY PROVIDED, WIRED, AND UNIT MOUNTED SPEED CONTROLLER LOCATED ABOVE CEILING. 2. FACTORY WIRED DISCONNECT. 3. FACTORY PROVIDED, FIELD INSTALLED BY MC. REMOTE WALL SWITCHES FOR HEATING ON/OFF AND FAN ON/AUTO SWITCH. SEE DETAIL, AIR CURTAIN WIRING DIAGRAM. 4. PROVIDE WITH DIVERTER BOX FROM TOM BARROW COMPANY. PROVIDE WITH MOUNTING BRACKETS PER MANUFACTURER'S RECOMMENDATIONS. INSTALL PER MANUFACTURER'S MOUNTING INSTRUCTIONS. 5. FACTORY PROVIDED MAGNETIC DOOR CONTACT WITH FACTORY INSTALLED LOW VOLTAGE CONTROLS LOCATED IN AIR DOOR CABINET.

### AIR DEVICE SCHEDULE

| MARK | DESCRIPTION  | LOCATION         | NECK SIZE | FACE SIZE | FRAME TYPE | REMARKS   |
|------|--|------------------|-----------|-----------|------------|-----------|
| A    | PRICE MODEL APDC ALUMINUM SUPPLY AIR DIFFUSER WITH INDIVIDUALLY ADJUSTABLE CURVED AIR PATTERN CONTROLLERS.     | DINING/ KITCHEN  | VARIES    | 24"x24"   | LAY-IN     | 1,7       |
| C    | PRICE MODEL SMCD STEEL SUPPLY AIR DIFFUSER FIELD ADJUSTABLE AIR PATTERN CONTROLLERS.                           | ENTRY            | 14"x14"   | 19"x19"   | BEVELLED   | 1,3,5,6   |
| F    | PRICE MODEL 80 EGGRATE RETURN AIR GRILLE WITH REMOVABLE WHITE CORE, FACTORY FLAT BLACK BACKPAN AND ROUND NECK. | DINING/ KITCHEN  | VARIES    | 24"x24"   | LAY-IN     | 1,7       |
| J    | PRICE MODEL SMCD STEEL SUPPLY AIR DIFFUSER FIELD ADJUSTABLE AIR PATTERN CONTROLLERS.                           | RESTROOMS        | 10"x10"   | 15"x15"   | BEVELLED   | 1,2,3,5,6 |
| K    | PRICE MODEL APDR ALUMINUM PERFORATED FACE RETURN AIR GRILLE.   | ENTRY/ RESTROOMS | 14"x14"   | 16"x16"   | SURFACE    | 1,4,5,6   |

NOTES: CHICK-FIL-A HAS A NATIONAL ACCOUNT WITH TOM BARROW COMPANY FOR THE AIR DEVICES. MECHANICAL CONTRACTOR SHALL PURCHASE THE AIR DEVICES DIRECTLY FROM TOM BARROW COMPANY. CONTACT MR. SCOTT GEORGE AT 404-351-1010. FOR PRICING AND AVAILABILITY. AIR DEVICES NOT PURCHASED THRU TOM BARROW COMPANY WILL NOT BE ACCEPTED.

REMARKS: 1. STANDARD OFF WHITE FINISH. 2. PROVIDE MODEL VCS3 NECK DAMPER. 3. SEE DRAWING M-201 FOR THROW. 4. PROVIDE MODEL VCR7 NECK DAMPER ON GRILLES IN RESTROOMS SERVING EXHAUST FAN. 5. PROVIDE BACKPAN. MC TO SEAL JOINTS WITH MASTIC AND INSULATE EXTERNALLY. 6. FIELD INSULATE BACKPAN AS SHOWN ON DETAIL 1/M-401. 7. FACTORY INSULATED R-6 BACKPAN.

### EXHAUST FAN SCHEDULE

| MARK       | CFM  | ESP   | RPM  | TIP SPEED | HP  | AREA SERVED       | MODEL   | MANUFACTURER | REMARKS |
|------------|------|-------|------|-----------|-----|-------------------|---------|--------------|---------|
| EF#1 NEW   | 1913 | 0.75  | 1331 | 5226      | 3/4 | HOOD#1L & HOOD#1R | 150 CPS | LOREN COOK   | 1-12    |
| EF#2 NEW   | 1402 | 0.95  | 1199 | 4708      | 3/4 | HOOD#2 & HOOD#3   | 150 CPS | LOREN COOK   | 1-12    |
| EF#3 EXIST | 400  | 0.375 | --   | --        | --  | RESTROOMS         | --      | EXISTING     | --      |

NOTES: GREASE EXHAUST FAN RPM BASED ON 80 DEGREE F AIR AT 1000 FEET ABOVE SEA LEVEL. GREASE EXHAUST FANS TO BE U.L. 762 LISTED. CHICK-FIL-A HAS A NATIONAL ACCOUNT WITH TOM BARROW COMPANY FOR THE FAN/CURB PACKAGE. MECHANICAL CONTRACTOR IS REQUIRED TO PURCHASE THE FAN/CURB PACKAGE DIRECTLY FROM TOM BARROW COMPANY. CONTACT MR. SCOTT GEORGE AT 404-351-1010 FOR PRICING AND AVAILABILITY. FANS AND CURBS NOT PURCHASED THRU TOM BARROW COMPANY WILL NOT BE ACCEPTED.

REMARKS: 1. UPBLAST ARRANGEMENT 10. C/W ROTATION. SEE PLANS TO CONFIRM CONFIGURATION. 2. PROVIDE FACTORY STEEL FAN WHEEL. 3. PROVIDE FACTORY INSTALLED, PRE-WIRED, NEMA 3 NON-FUSED DISCONNECT. COORDINATE WITH ELECTRICAL CONTRACTOR. 4. PROVIDE FACTORY STEEL INLET FLANGE AND INLET COMPANION FLANGE. 5. PROVIDE AND INSTALL ROOFTOP SOLUTIONS G2 DRIP GUARD. MECHANICAL CONTRACTOR TO CONTACT ROOFTOP SOLUTIONS AT 800-913-7034. 6. PER SCHEDULE IF NECESSARY. PROVIDE FACTORY WEATHER HOUSING W/ HINGED ACCESS DOOR. 7. PROVIDE FACTORY DRAIN CONNECTION. 8. PROVIDE FACTORY BOLTED ACCESS DOOR ON SCROLL. 9. PROVIDE FACTORY INSTALLED BELT DRIVE WITH ADJUSTABLE MOTOR SHEAVE AND SPARE BELT. 10. PROVIDE FACTORY STEEL OUTLET COMPANION FLANGE. 11. INTEGRAL THERMAL OVERLOAD WITH AUTOMATIC RESET. 12. UTILITY SET FAN CURB AND ASSOCIATED EXHAUST DUCT CURB PROVIDED BY TOM BARROW COMPANY.

### GAS FIRED ROOFTOP SCHEDULE

| MARK       | TOTAL COOLING MBH | SENSIBLE COOLING MBH | HEATING INPUT MBH | HEATING OUTPUT MBH | STAGES | SUPPLY | O.A. | HP  | ESP | MODEL     | MANUFACTURER | REMARKS |
|------------|-------------------|----------------------|-------------------|--------------------|--------|--------|------|-----|-----|-----------|--------------|---------|
| AC#1 NEW   | 282.5             | 205.3                | 480               | 384                | 2      | 8500   | 2000 | 7.5 | 1.0 | LGH300S4M | LENNOX       | 1-16    |
| AC#2 EXIST |                   |                      |                   |                    |        | 2830   | 750  |     |     | EXISTING  | LENNOX       |         |
| AC#3 EXIST |                   |                      |                   |                    |        | 5000   | 1355 |     |     | EXISTING  | LENNOX       |         |
| AC#4 EXIST |                   |                      |                   |                    |        | 1800   | 300  |     |     | EXISTING  | LENNOX       |         |

NOTES: COOLING CAPACITIES ARE GROSS, BASED ON INDOOR: 80FDB/67FWB, OUTDOOR: 95FDB. FOR PROPER BUILDING AIR BALANCE, VERIFY THE AMOUNT OF OUTSIDE AIR PROVIDED BY ALL EXISTING UNITS. ADJUST AS PER SCHEDULE IF NECESSARY. VERIFY MIN. 10' DISTANCE OF O.A. INTAKE OPENINGS OF A/C UNITS FROM ANY EXISTING SOURCE OF AIR POLLUTION (EXHAUST FAN, COMBUSTION FLUE, VENT, ETC.). IF SUCH CONDITIONS EXIST, CONTRACTOR IS REQUIRED TO DUCT OUTSIDE AIR INTAKE ON ROOF AWAY FROM ANY SUCH SOURCE.

REMARKS: 1. PROVIDE DIFFERENTIAL ENTHALPHY ECONOMIZER WITH POWER EXHAUST. 2. SEE DETAIL 2/M-501 FOR SETTING OF PRODIGY M3 BOARD CONTROL PARAMETERS BY MC. 3. PROVIDE FACTORY INSTALLED AND UNIT POWERED 115V GFI SERVICE OUTLET. 4. PROVIDE FACTORY INSTALLED RETURN SIDE SMOKE DETECTOR. 5. PROVIDE FACTORY INSTALLED NON-FUSED DISCONNECT. 6. PROVIDE 2" MERV 8 THROW AWAY FILTERS. 7. PROVIDE HINGED PANELS FOR FILTER ACCESS, FAN MOTOR ACCESS, COMPRESSOR ACCESS AND CONTROL COMPARTMENT ACCESS. 8. ADJUST GAS MANIFOLD PRESSURE AT LOCATIONS WHERE ELEVATION EXCEEDS 2000' ABOVE SEA LEVEL AS RECOMMENDED BY MANUFACTURER. 9. PROVIDE FACTORY INSTALLED COIL HAIL GUARD. 10. PROVIDE HUMIDITROL OPTION AND FACTORY WALL MOUNTED REMOTE HUMIDITY SENSOR. 11. PROVIDE FACTORY CONDENSATE DRAIN PAN OVERFLOW SWITCH. 12. PROVIDE FIELD INSTALLED BELT TENSIONER. 13. PROVIDE WITH MSAV BLOWER. 14. PROVIDE FACTORY CONFIGURED PHASE LOSS PROTECTION. 15. PROVIDE HIGH FAULT SCCR (100K). 16. PROVIDE FACTORY FRESH AIR TEMPERING KIT.

### SPLIT SYSTEM HEAT PUMP SCHEDULE

| MARK           | COOLING CAPACITY (MBH) |      | HEATING CAPACITY (MBH) |      | EFFICIENCIES |      | FAN SECTION (CFM) | ELECTRICAL DATA |      | R-410A MODEL |            | MFR          |            |
|----------------|------------------------|------|------------------------|------|--------------|------|-------------------|-----------------|------|--------------|------------|--------------|------------|
|                | MIN.                   | MAX. | MIN.                   | MAX. | SEER         | HSPF |                   | MCA             | MOCP | VOLTAGE      | AHU        |              | CU         |
| AHU#1/CU#1 NEW | 18.0                   | 33.5 | 18.0                   | 40.0 | 16.2         | 10.0 | 635-730-830       | 28              | 40   | 208/1/60     | PKA-A36KA7 | PUZ-HA36NHA5 | MITSUBISHI |

NOTES: MECHANICAL CONTRACTOR SHALL PURCHASE THE SPLIT SYSTEM HEAT PUMP DIRECTLY FROM TRANE/MITSUBISHI. CONTACT MS. LAURI FRANKOWSKI AT 630-400-4285, FOR PRICING AND AVAILABILITY.

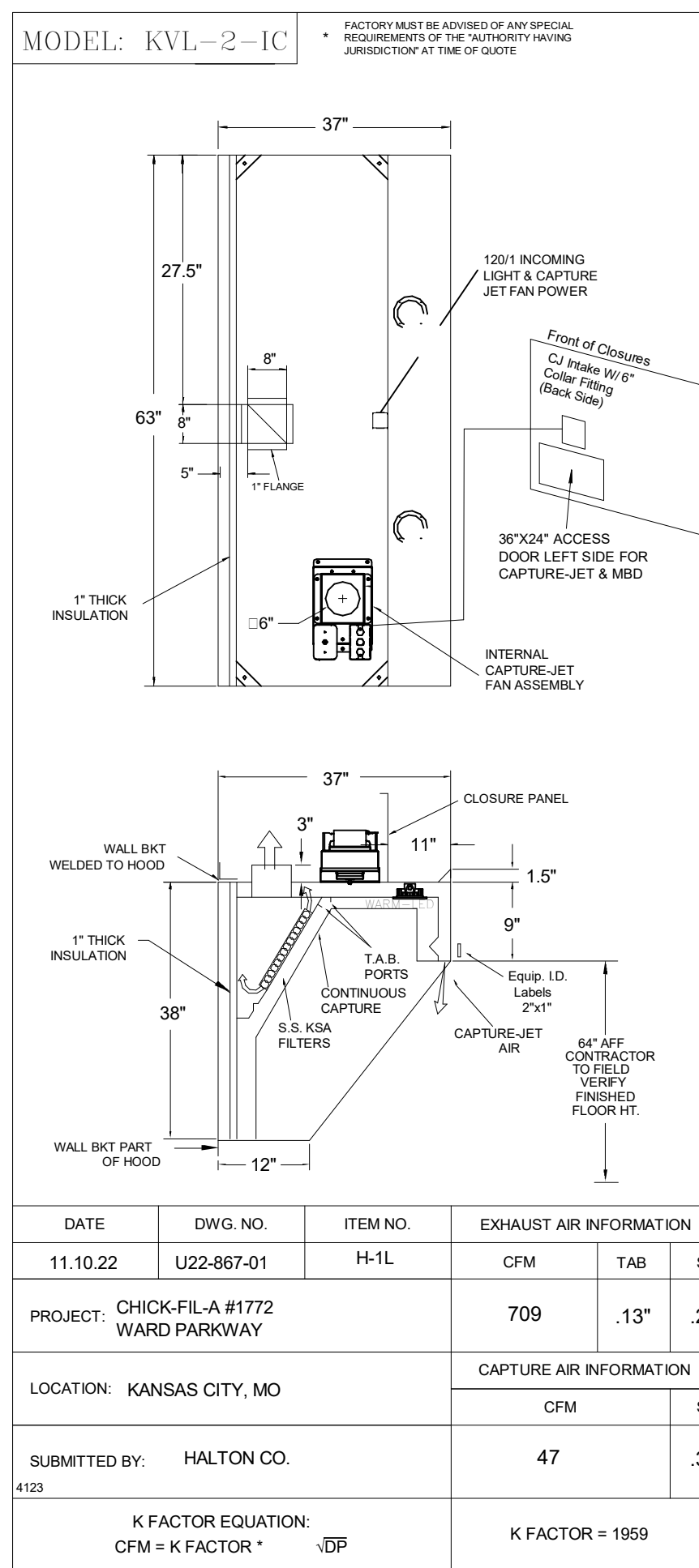
REMARKS: 1. ELECTRICIAN TO PROVIDE NON-FUSED DISCONNECT. 2. MECHANICAL TO PROVIDE AND INSTALL REFRIGERANT PIPING AS PER MFR RECOMMENDATIONS. 3. PROVIDE ENGRAVED PLASTIC LABEL AT AHU AND CU WITH 1" HIGH WHITE LETTERS ON A BLACK BACKGROUND RIVETED TO UNIT CABINET. 4. PROVIDE WITH ADEQUATE REFRIGERANT LINE SET. FIELD VERIFY DISTANCE FROM WHERE CONDENSER IS TO BE SET TO WHERE AIR HANDLER IS TO BE MOUNTED PRIOR TO ORDERING. 5. PROVIDE WITH WALL MOUNTED THERMOSTAT (TAR-CTOIMAU-SB). USE TWO-WIRE, STANDARD, NON-POLAR CONTROL WIRE TO CONNECTOR TB15 ON INDOOR UNIT CONTROLLER. PROGRAM THERMOSTAT CONTROLS TO MATCH DRIVE-THRU RTU SETPOINTS. 6. PROVIDE PAC-SE55RA-E CONNECTOR AT INDOOR UNIT (CONNECTOR CN32). WIRE ORANGE AND RED WIRES TO SPARE POLE ON RELAY R-1 IN SUNCOAST T500 PANEL (TERMINALS 11 AND 7 RESPECTIVELY) AND CAP THE BROWN WIRE. 7. PROVIDE WITH CONDENSATE PUMP (BLUE DIAMOND MAXI BLUE MODEL# X87-721).



**CHICK-FIL-A**  
WARD PARKWAY FSU  
8551 State Line Rd  
Kansas City, MO 64114

**FSR#01772**  
BUILDING TYPE / SIZE: S06E-R  
RELEASE: v2.20.08  
PRINTED FOR: ISSUED FOR CONSTRUCTION  
REVISION SCHEDULE  
NO. DATE DESCRIPTION  
2 01/13/2023 Issue for Bid

CONSULTANT PROJECT # 22117.CD.R  
DATE 11/30/22  
DRAWN BY DISF  
Information contained on this drawing and all digital files produced for above named project may not be reproduced in any manner without express written or verbal consent from authorized project representatives.  
SHEET HVAC DETAILS AND SCHEDULES  
SHEET NUMBER M-401



**MODEL: KVL-2-C**

FACTORY MUST BE ADVISED OF ANY SPECIAL REQUIREMENTS OF THE "CUSTOMER" BEFORE FABRICATION OF THIS HOOD.

| STANDARD FEATURES      |   |
|------------------------|---|
| S.S. FILTERS (KSA)     | 3 |
| 1/2 S.S. FILTERS (KSA) | - |
| CAPTURE-JET            | * |
| STAND-OFF              | * |
| L.E.D. LIGHTS          | 2 |

**OPTIONS**

REMOTE SWITCH PANEL

FIRE PROTECTION

ETL LISTED

W/O EXHAUST DAMPER

CEILING CLOSURE

STD. BACKSLASH

INSULATED BACKSLASH

M/D DAMPER

**MATERIAL**

EXPOSED SURFACES 18 GA. S.S.

ALL 18 GA. S.S.

**COMMENTS:**

CLOSURE HEIGHT = TBD (TWO SIDES)

CEILING HEIGHT = ADVISE

CEILING CLOSURE RECESSED 11" FROM FRONT TO CREATE SHELF

FRONT CLOSURE PANEL WITH 40"x24" LIFT OFF DOOR RIGHT SIDE (ACCESS TO FIRE SUPPRESSION)

40"x24" LIFT OFF DOOR LEFT SIDE AT CAPTURE-JET WITH FRONT CJ INTAKE & M/D

CONTINUOUS CAPTURE INTERNAL RIGHT END CUTOFF

CONTINUOUS CAPTURE INTERNAL LEFT END CUTOFF

3" REAR STAND-OFF TO HAVE 1" THICK INSULATION

EQUIPMENT COVERED (3) PRESSURE FRYERS

HOOD WEIGHT = 394 LBS

DATE: 11.10.22 DWG. NO: U22-967-01 ITEM NO: H-1L EXHAUST AIR INFORMATION: CFM: 709 TAB: 13" SP: 23"

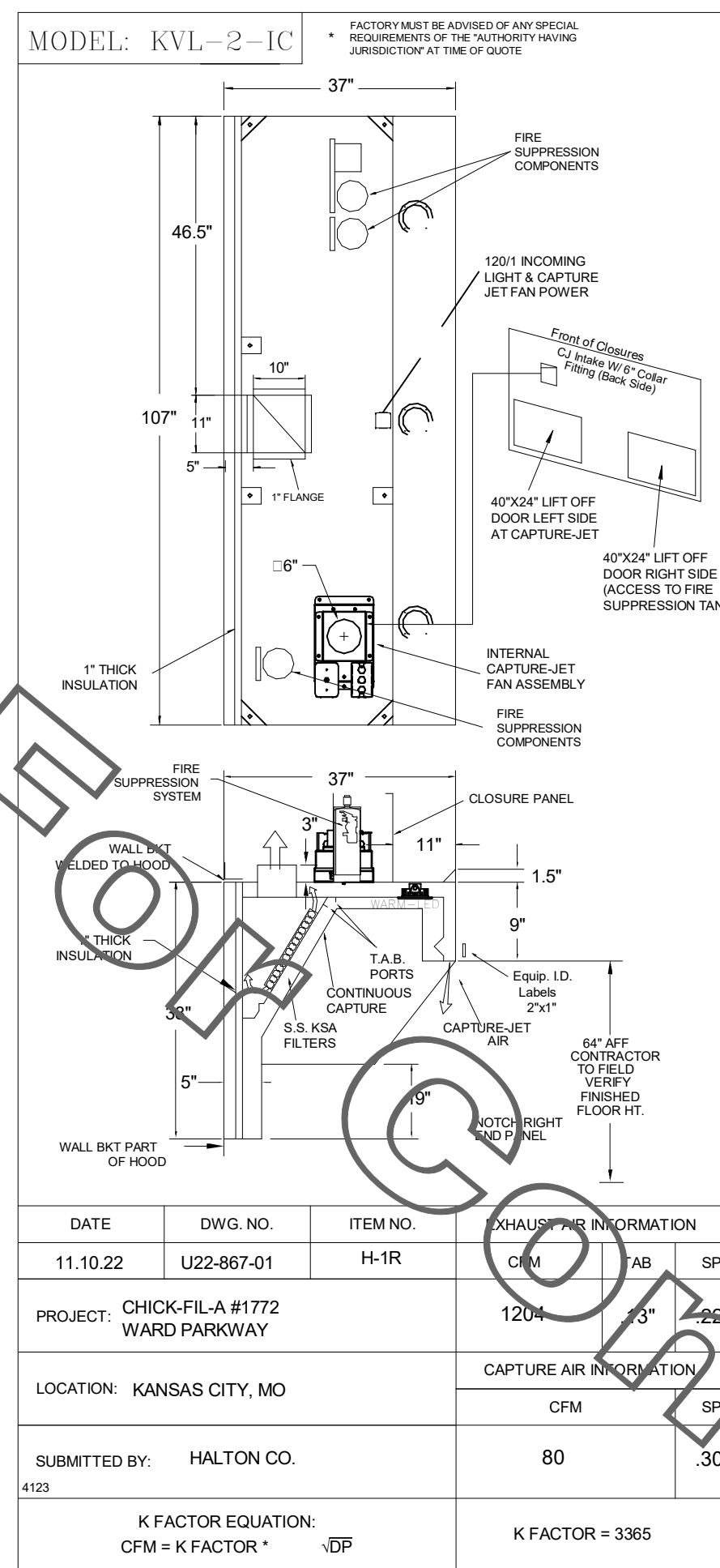
PROJECT: CHICK-FLA-#1772 WARD PARKWAY

LOCATION: KANSAS CITY, MO

SUBMITTED BY: HALTON CO.

K FACTOR EQUATION: CFM = K FACTOR \* ΔSP

K FACTOR = 1959



**MODEL: KVL-2-C**

FACTORY MUST BE ADVISED OF ANY SPECIAL REQUIREMENTS OF THE "CUSTOMER" BEFORE FABRICATION OF THIS HOOD.

| STANDARD FEATURES      |   |
|------------------------|---|
| S.S. FILTERS (KSA)     | 5 |
| 1/2 S.S. FILTERS (KSA) | - |
| CAPTURE-JET            | * |
| STAND-OFF              | * |
| L.E.D. LIGHTS          | 3 |

**OPTIONS**

REMOTE SWITCH PANEL

FIRE PROTECTION

ETL LISTED

W/O EXHAUST DAMPER

CEILING CLOSURE

STD. BACKSLASH

INSULATED BACKSLASH

M/D DAMPER

**MATERIAL**

EXPOSED SURFACES 18 GA. S.S.

ALL 18 GA. S.S.

**COMMENTS:**

CLOSURE HEIGHT = TBD

CEILING HEIGHT = ADVISE

CEILING CLOSURE RECESSED 11" FROM FRONT TO CREATE SHELF

FRONT CLOSURE PANEL WITH 40"x24" LIFT OFF DOOR RIGHT SIDE (ACCESS TO FIRE SUPPRESSION)

40"x24" LIFT OFF DOOR LEFT SIDE AT CAPTURE-JET WITH FRONT CJ INTAKE

CONTINUOUS CAPTURE INTERNAL LEFT END CUTOFF

3" REAR STAND-OFF TO HAVE 1" THICK INSULATION

NOTCHED RIGHT END PANEL

EQUIPMENT COVERED (4) PRESSURE FRYERS

AMEREX WEIGHT = 264 LBS

HOOD WEIGHT = 669 LBS

DATE: 11.10.22 DWG. NO: U22-967-01 ITEM NO: H-1R EXHAUST AIR INFORMATION: CFM: 1204 TAB: 10" SP: 23"

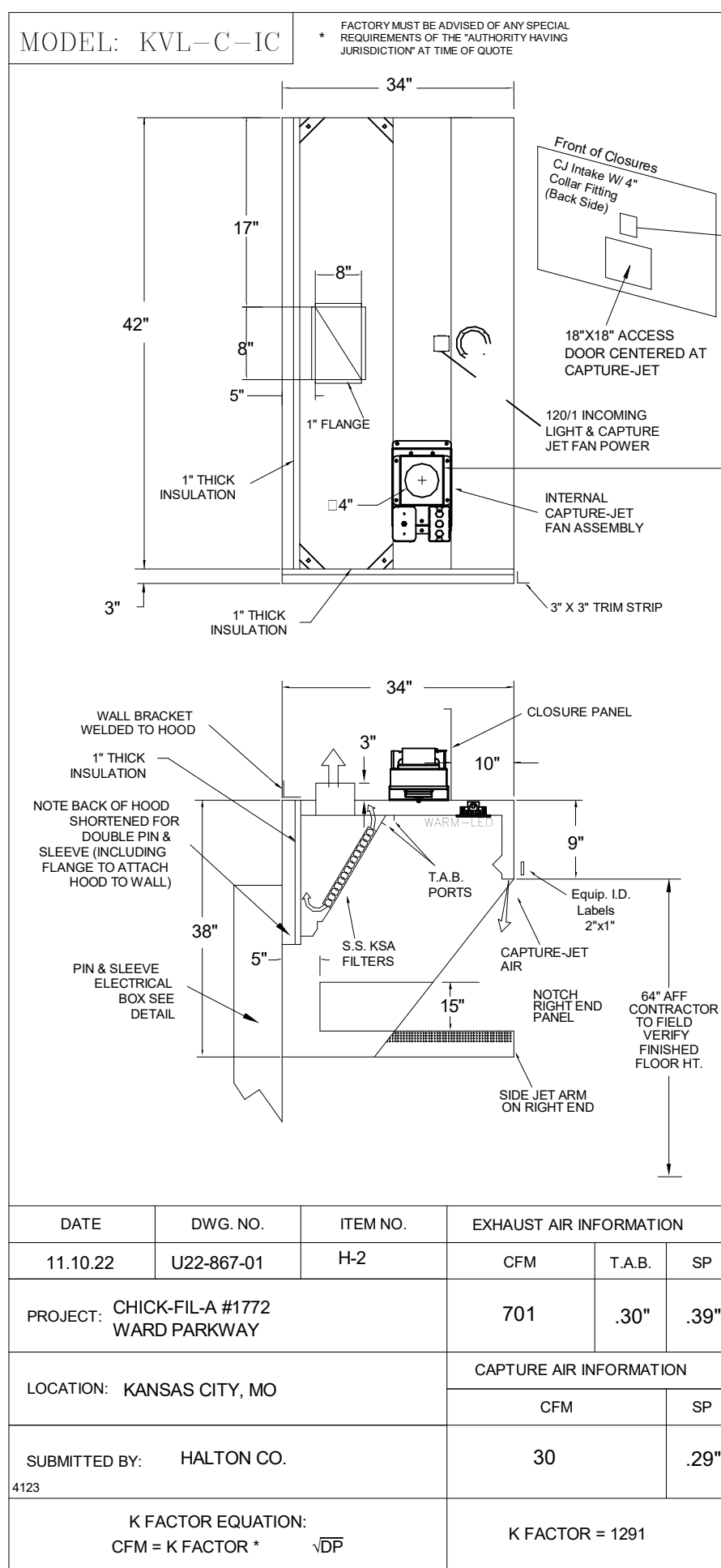
PROJECT: CHICK-FLA-#1772 WARD PARKWAY

LOCATION: KANSAS CITY, MO

SUBMITTED BY: HALTON CO.

K FACTOR EQUATION: CFM = K FACTOR \* ΔSP

K FACTOR = 3385



**MODEL: KVL-C-C**

FACTORY MUST BE ADVISED OF ANY SPECIAL REQUIREMENTS OF THE "CUSTOMER" BEFORE FABRICATION OF THIS HOOD.

| STANDARD FEATURES  |   |
|--------------------|---|
| S.S. FILTERS (KSA) | 2 |
| CAPTURE-JET        | * |
| STAND-OFF          | * |
| L.E.D. LIGHTS      | 1 |

**OPTIONS**

REMOTE SWITCH PANEL

FIRE PROTECTION

ETL LISTED

W/O EXHAUST DAMPER

CEILING CLOSURE

STD. BACKSLASH

INSULATED BACKSLASH

M/D DAMPER

**MATERIAL**

EXPOSED SURFACES 18 GA. S.S.

ALL 18 GA. S.S.

**COMMENTS:**

CLOSURE HEIGHT = TBD

CEILING HEIGHT = ADVISE

CEILING CLOSURE RECESSED 10" FROM FRONT TO CREATE SHELF

18"x18" ACCESS DOOR CENTERED AT CAPTURE-JET WITH FRONT CJ INTAKE

NOTCH RIGHT END PANEL

DOUBLE RECEPTACLE PIN & SLEEVE

3" REAR STAND-OFF TO HAVE 1" THICK INSULATION

EQUIPMENT COVERED (2) FRYERS

HOOD WEIGHT = 245 LBS

DATE: 11.10.22 DWG. NO: U22-967-01 ITEM NO: H-2 EXHAUST AIR INFORMATION: CFM: 701 TAB: 30" SP: 39"

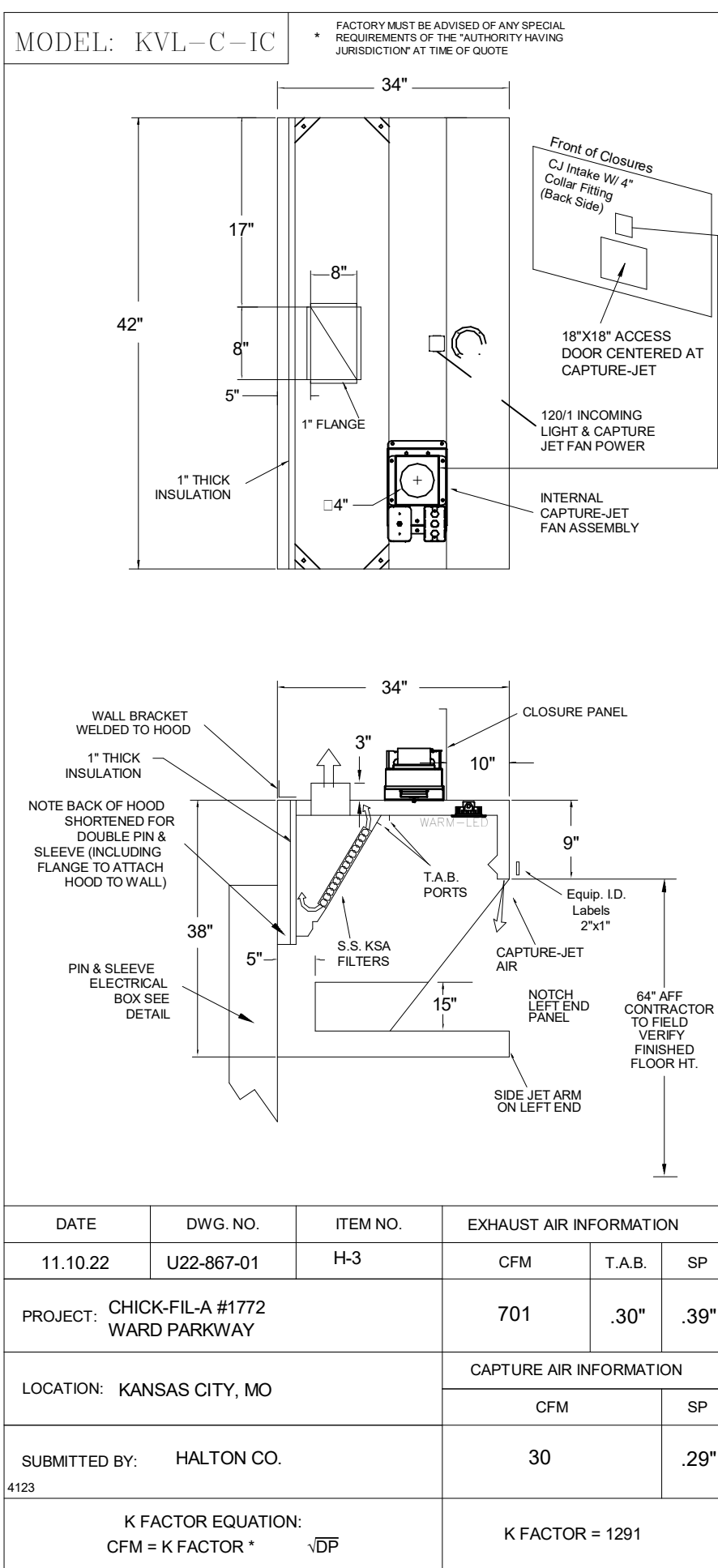
PROJECT: CHICK-FLA-#1772 WARD PARKWAY

LOCATION: KANSAS CITY, MO

SUBMITTED BY: HALTON CO.

K FACTOR EQUATION: CFM = K FACTOR \* ΔSP

K FACTOR = 1291



**MODEL: KVL-C-C**

FACTORY MUST BE ADVISED OF ANY SPECIAL REQUIREMENTS OF THE "CUSTOMER" BEFORE FABRICATION OF THIS HOOD.

| STANDARD FEATURES  |   |
|--------------------|---|
| S.S. FILTERS (KSA) | 2 |
| CAPTURE-JET        | * |
| STAND-OFF          | * |
| L.E.D. LIGHTS      | 1 |

**OPTIONS**

REMOTE SWITCH PANEL

FIRE PROTECTION

ETL LISTED

W/O EXHAUST DAMPER

CEILING CLOSURE

STD. BACKSLASH

INSULATED BACKSLASH

M/D DAMPER

**MATERIAL**

EXPOSED SURFACES 18 GA. S.S.

ALL 18 GA. S.S.

**COMMENTS:**

CLOSURE HEIGHT = TBD

CEILING HEIGHT = ADVISE

CEILING CLOSURE RECESSED 10" FROM FRONT TO CREATE SHELF

18"x18" ACCESS DOOR CENTERED AT CAPTURE-JET WITH FRONT CJ INTAKE

DOUBLE RECEPTACLE PIN & SLEEVE

3" REAR STAND-OFF TO HAVE 1" THICK INSULATION

EQUIPMENT COVERED (2) FRYERS

HOOD WEIGHT = 245 LBS

DATE: 11.10.22 DWG. NO: U22-967-01 ITEM NO: H-3 EXHAUST AIR INFORMATION: CFM: 701 TAB: 30" SP: 39"

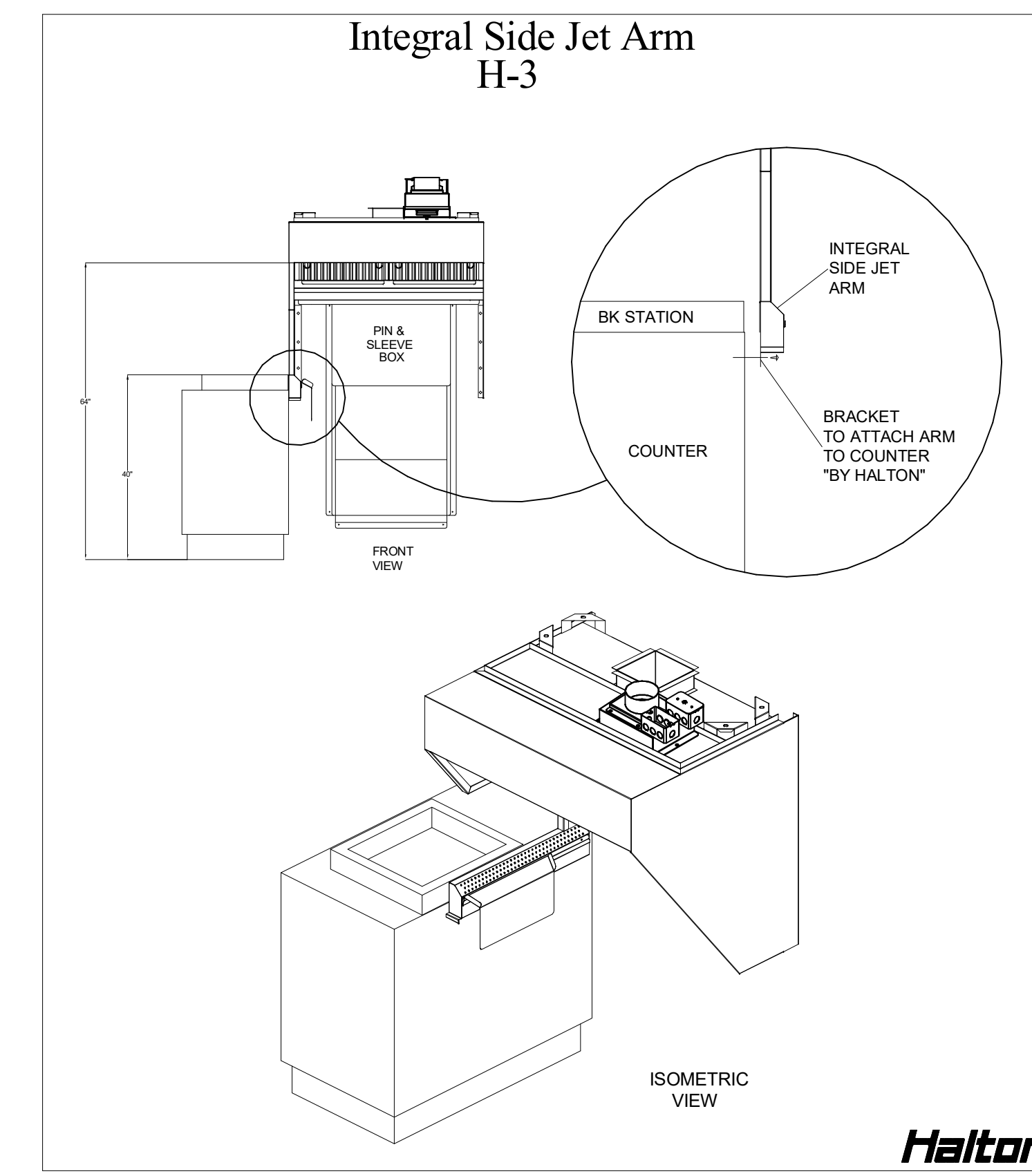
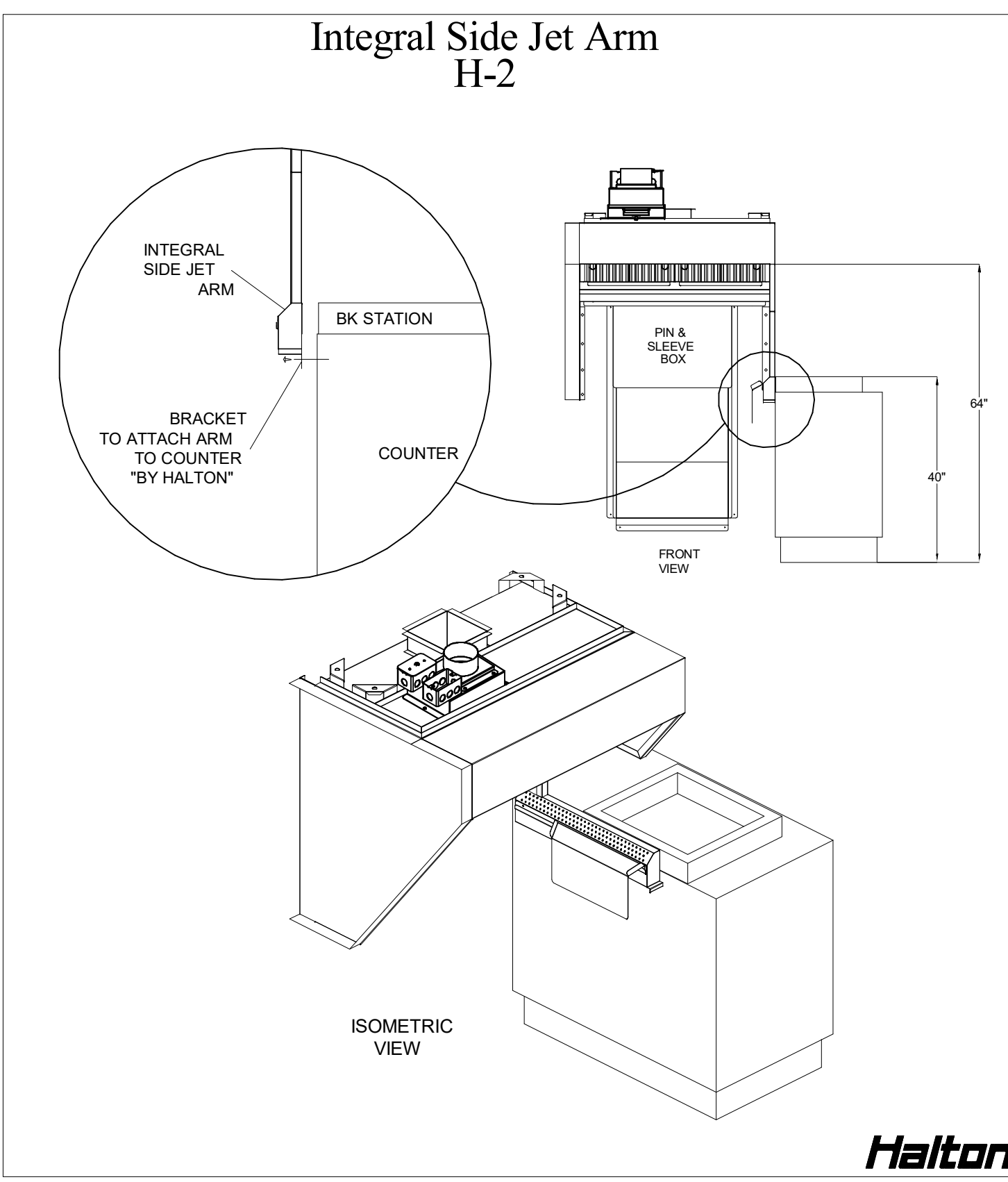
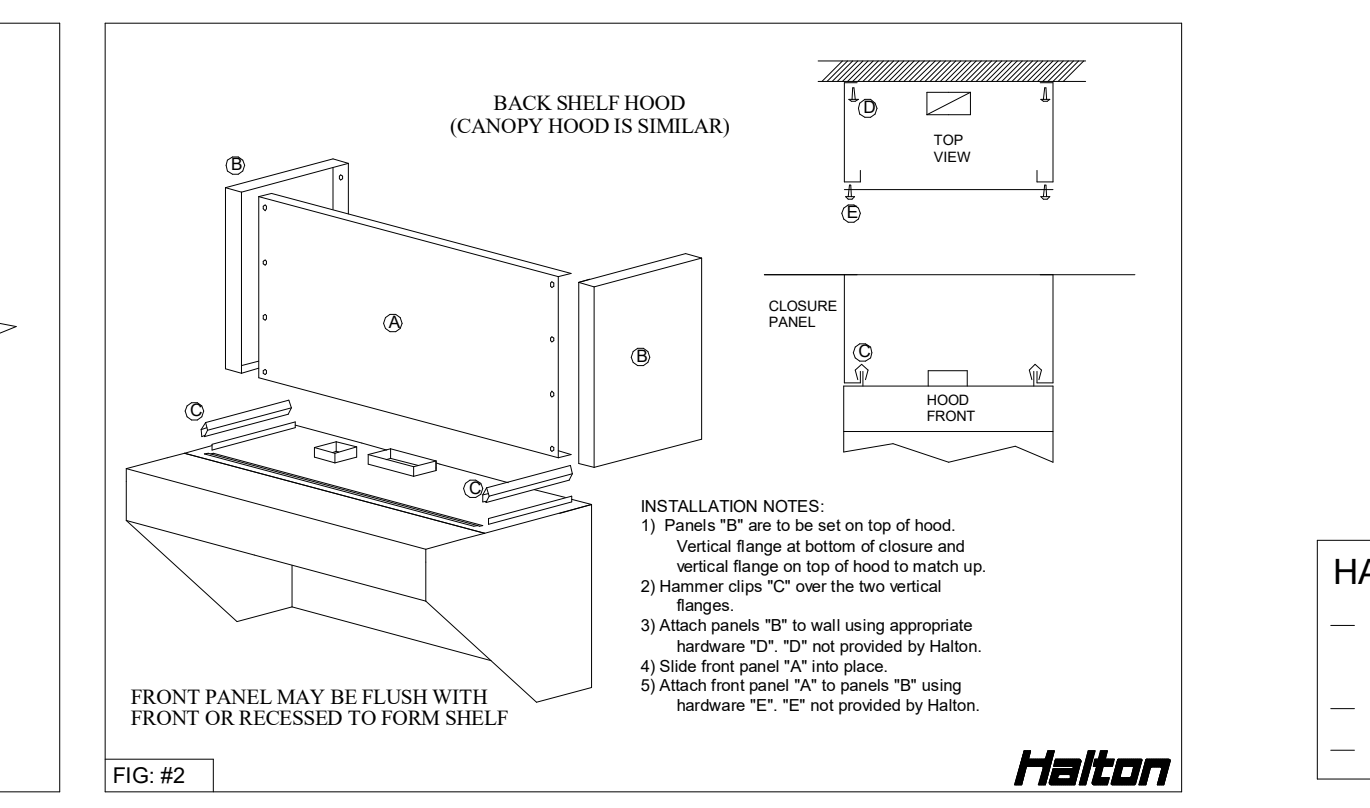
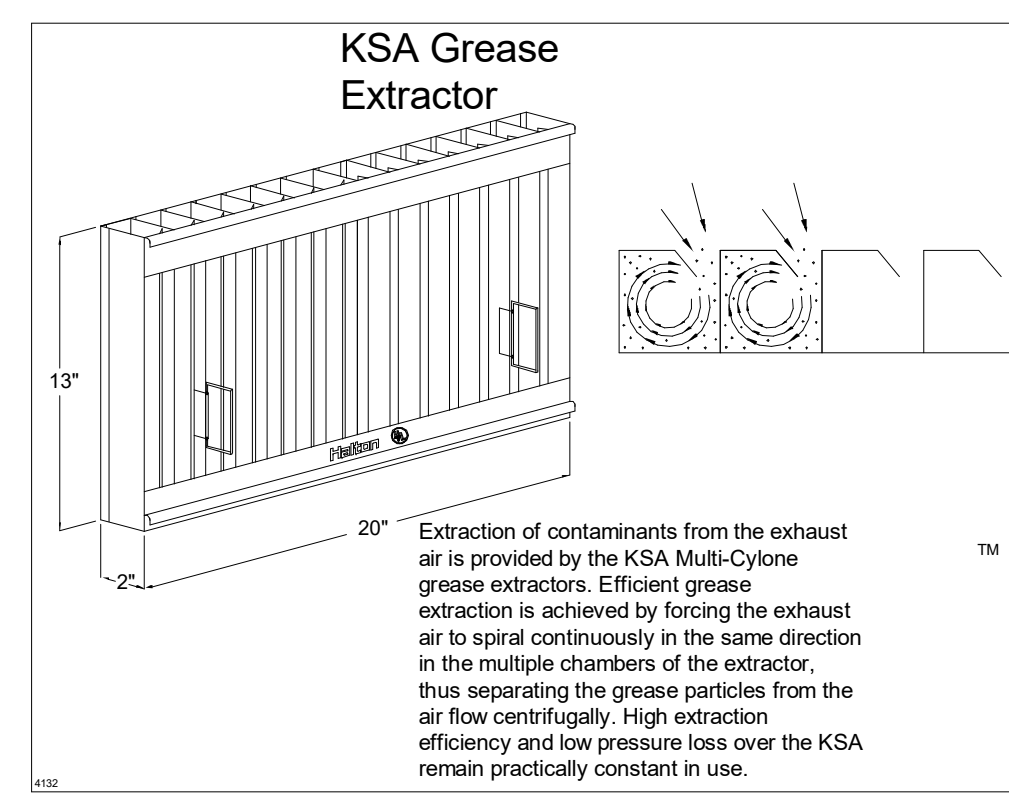
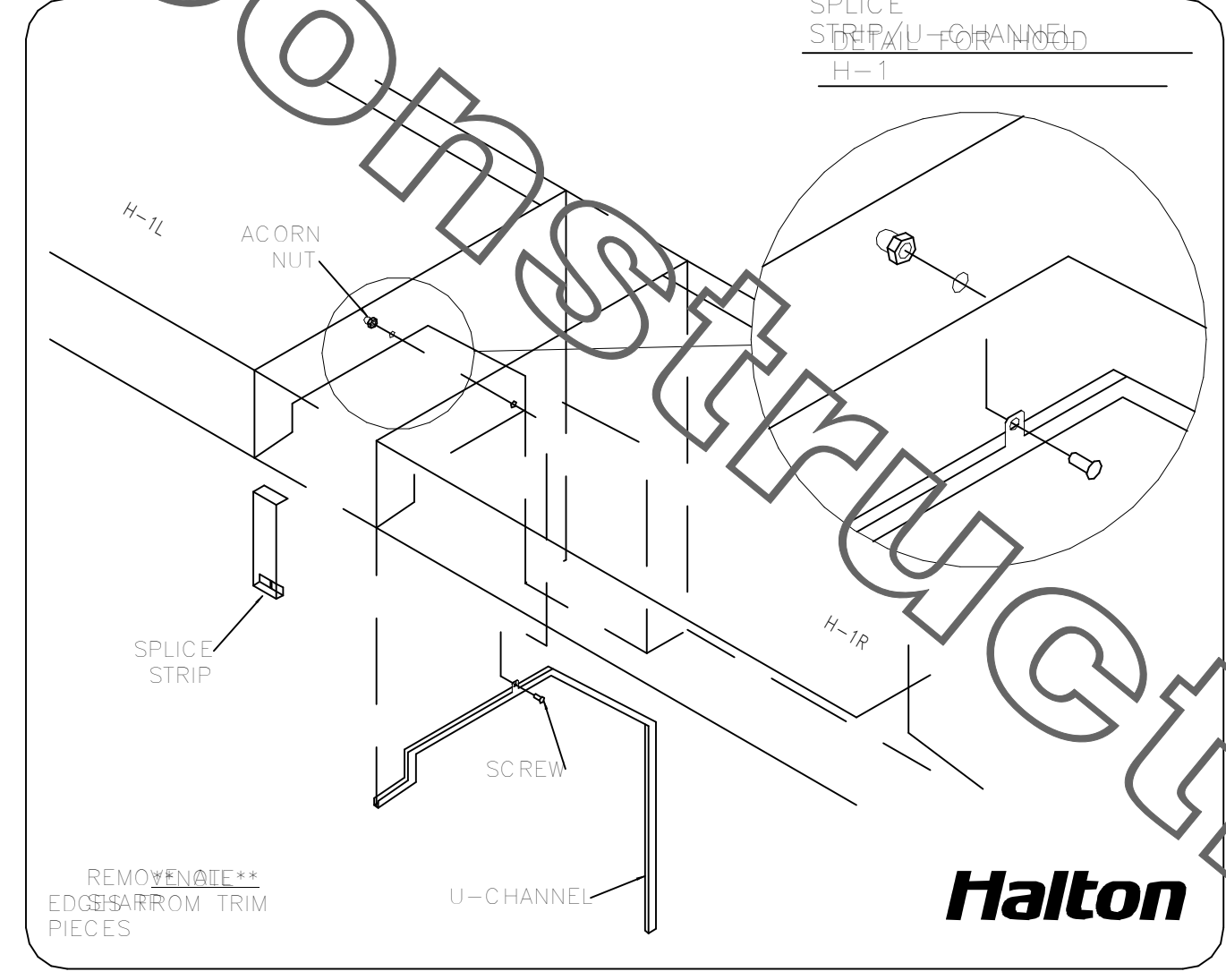
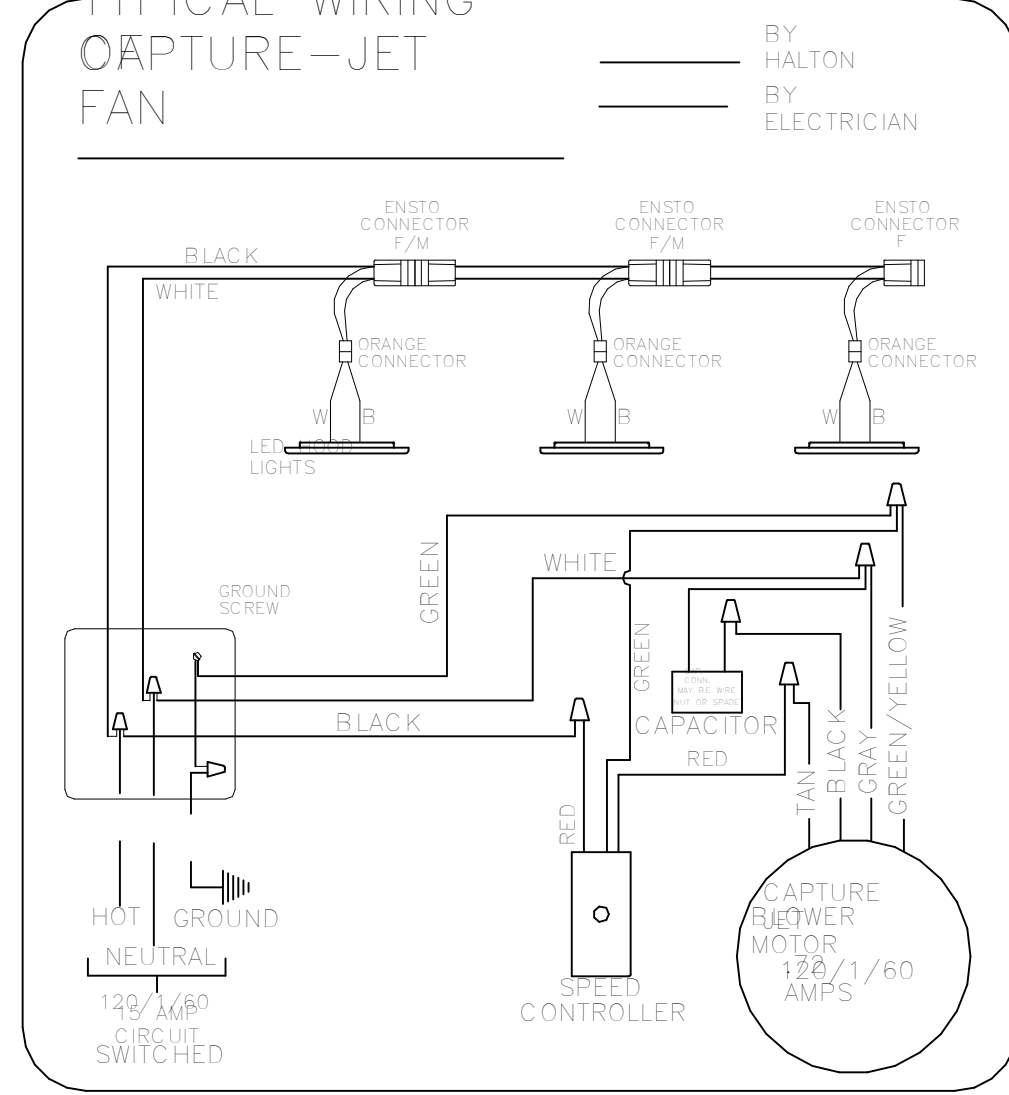
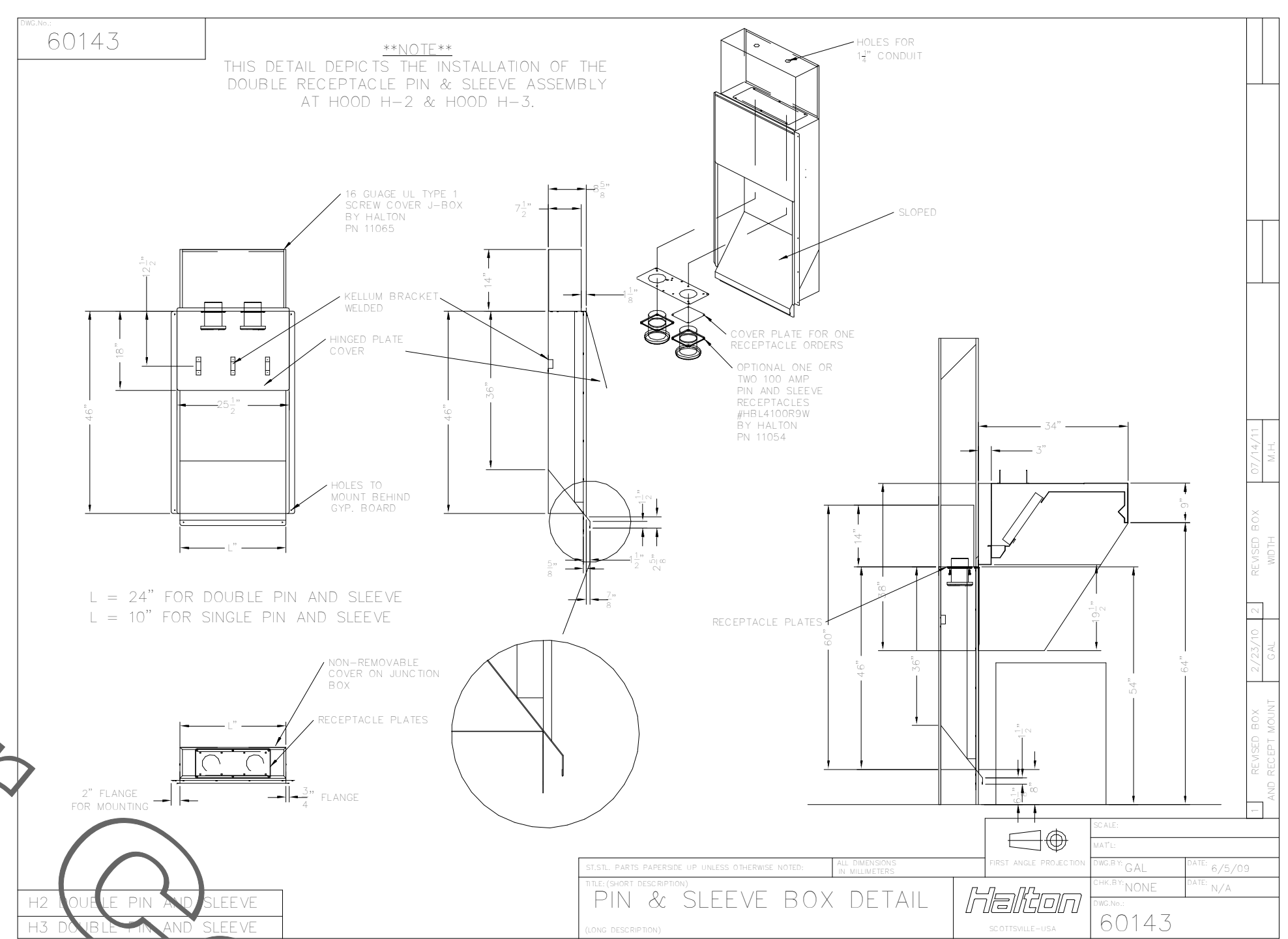
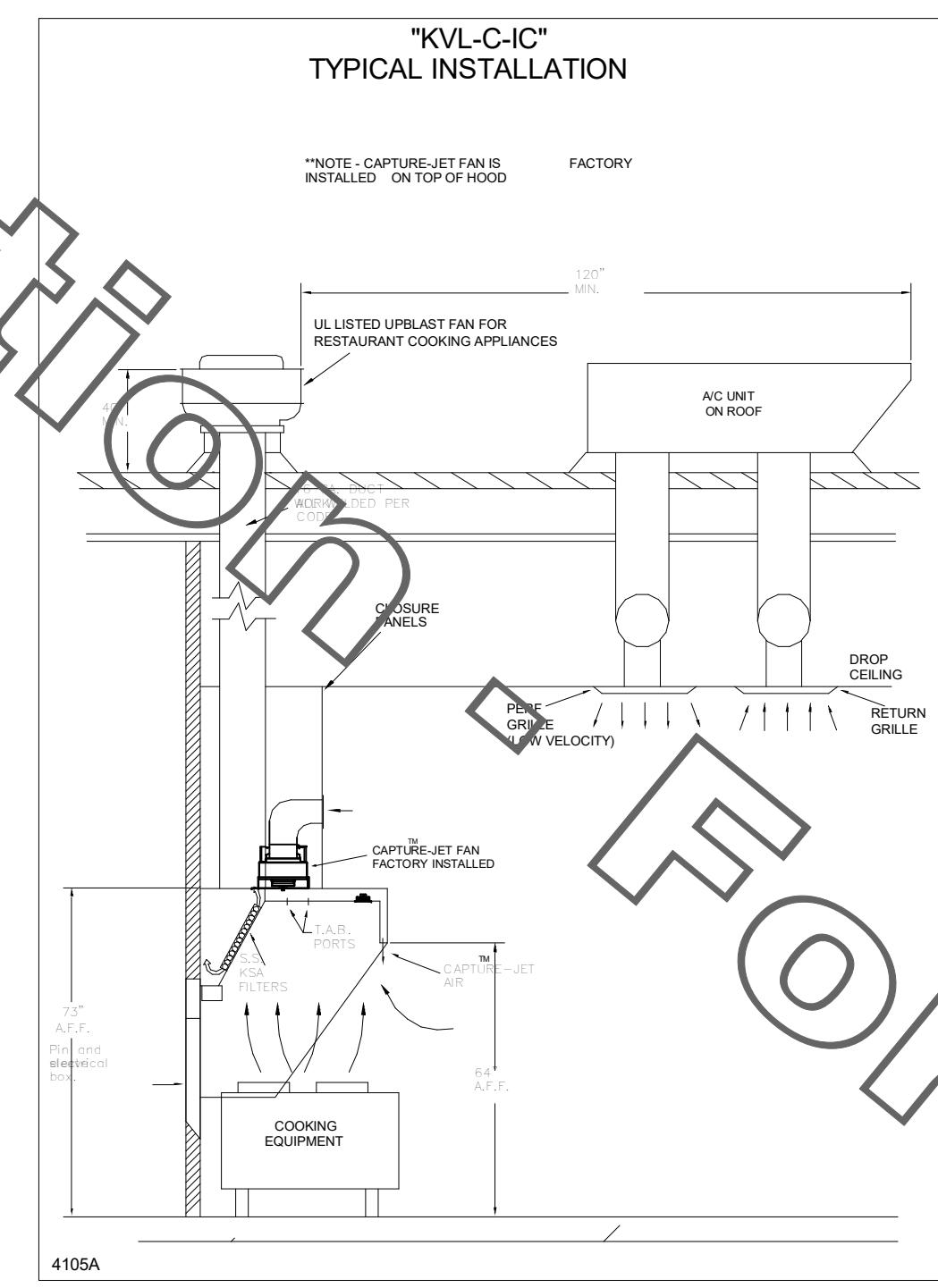
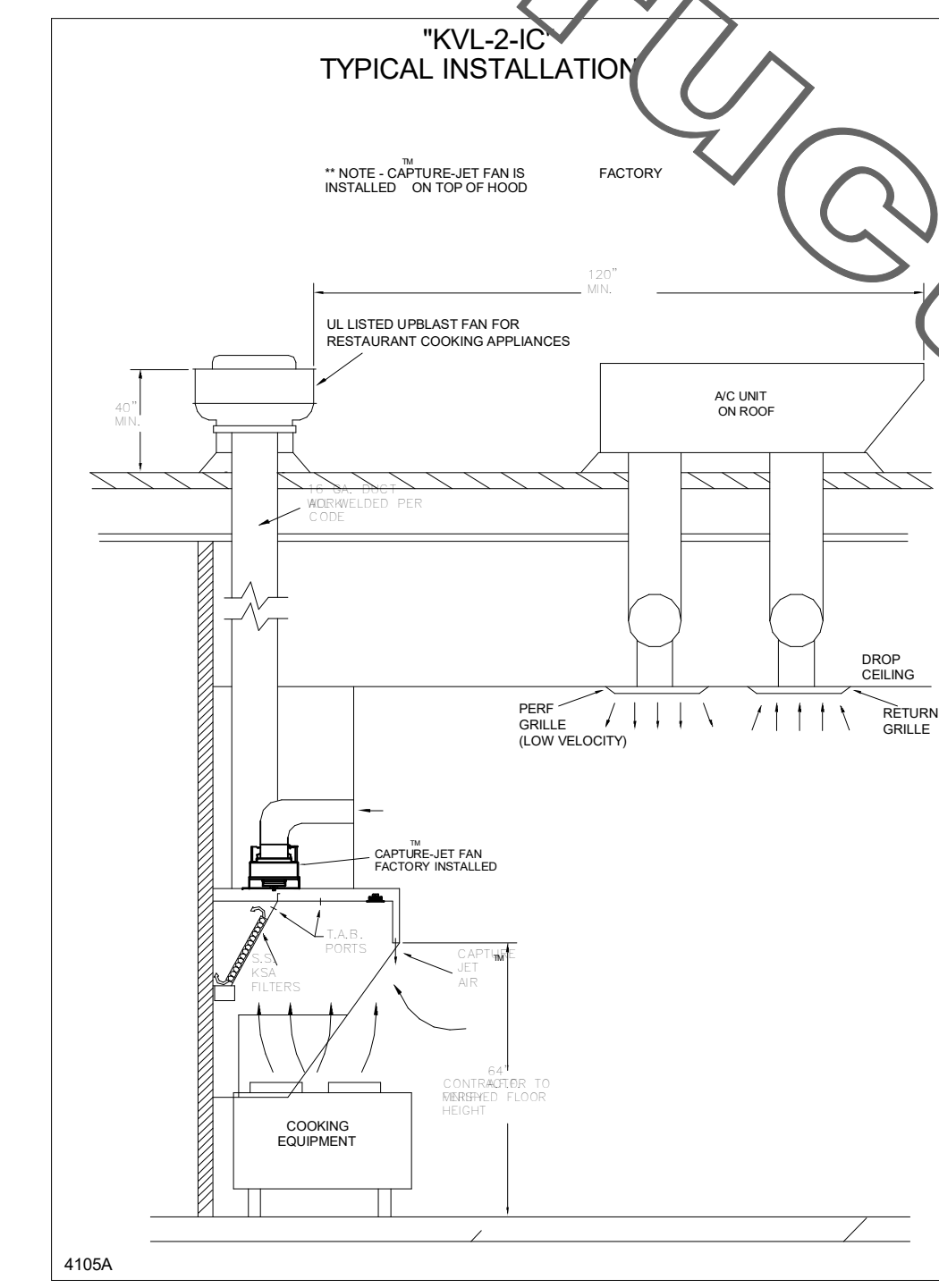
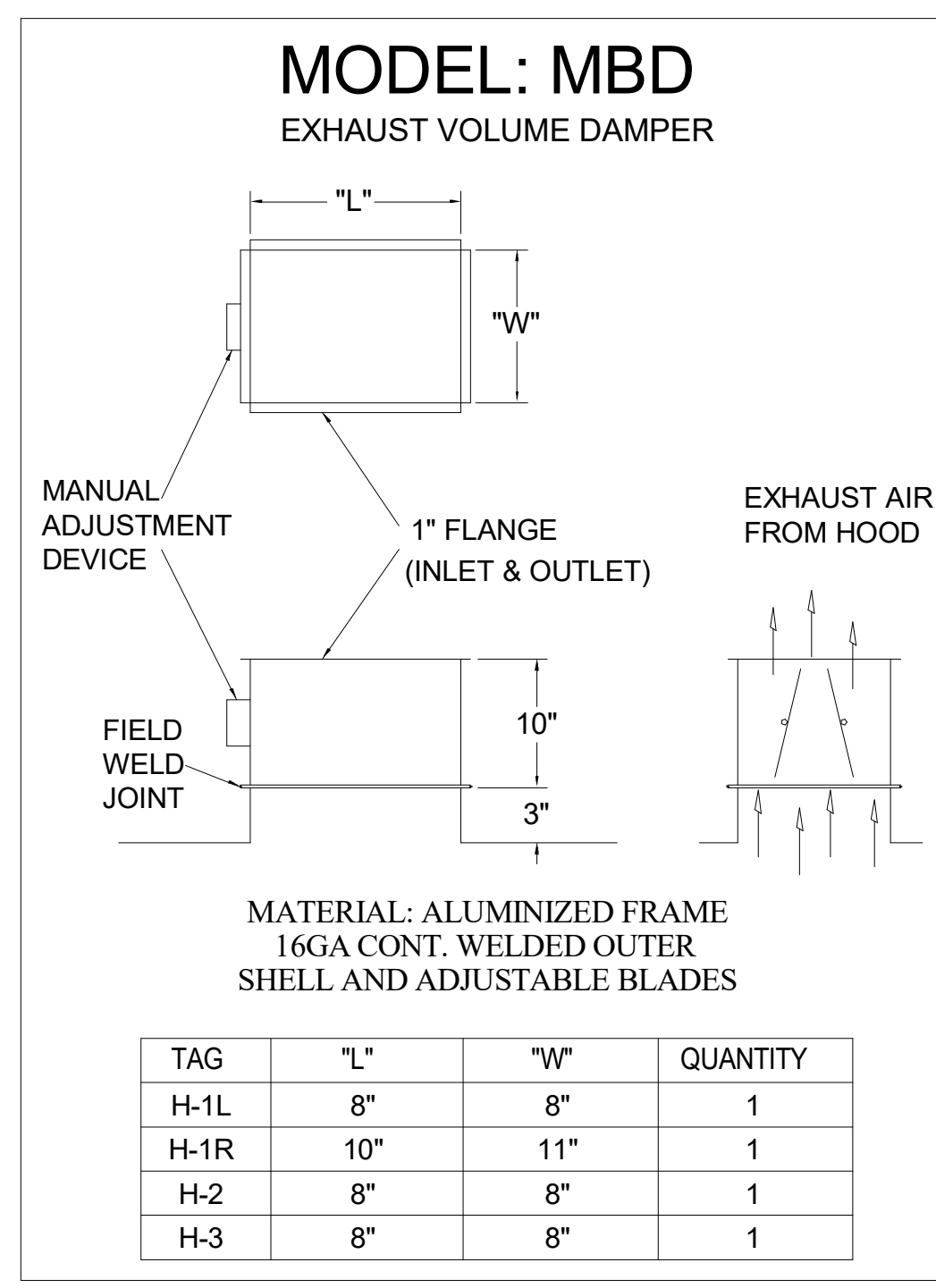
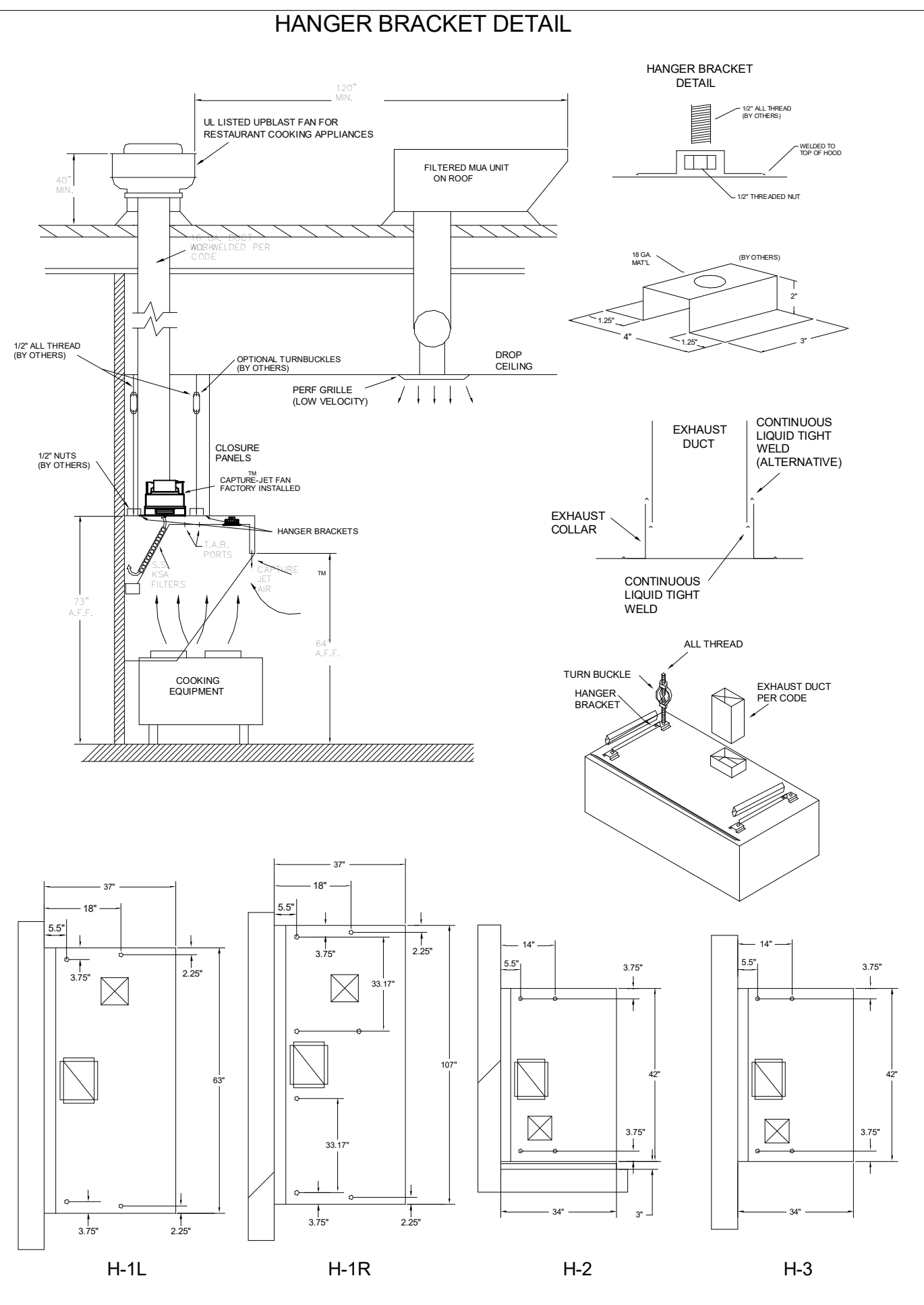
PROJECT: CHICK-FLA-#1772 WARD PARKWAY

LOCATION: KANSAS CITY, MO

SUBMITTED BY: HALTON CO.

K FACTOR EQUATION: CFM = K FACTOR \* ΔSP

K FACTOR = 1291



- HALTON HOODS**
- ETL LISTED PER LATEST 710 STANDARD
  - BUILT PER NFPA 96
  - NSF LISTED

MAIL APPROVED DRAWINGS TO APPROPRIATE FACTORY. BELOW WEBSITE: WWW.HALTONCOMPANY.COM

PROJECT: CHICK-FLA-#1772 WARD PARKWAY

DATE: 11/30/22

SCALE: NTS

Halton Dwg: U22-967-01

Sheet MH-101

FOR CONSTRUCTION

REVISIONS:

| REV. | DATE | BY | DESCRIPTION |
|------|------|----|-------------|
| 1    |      |    |             |
| 2    |      |    |             |
| 3    |      |    |             |
| 4    |      |    |             |
| 5    |      |    |             |
| 6    |      |    |             |
| 7    |      |    |             |

APPROVED FOR FABRICATION: [Signature]

WITH CHANGES AS NOTED

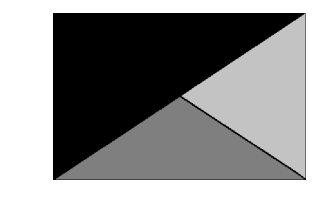
UL LISTED

ETL LISTED

NSF LISTED



**Chick-Fil-A**  
 5200 Buffington Road  
 Atlanta, Georgia  
 30349-2998



**Kurzynski & Associates**  
 2705 Lebanon Pike - Suite One  
 Nashville, Tennessee 37214  
 Telephone: (615) 255-5203



4/17/23

### HOOD SCHEDULE

| MARK        | EXHAUST CFM | SP @ TAB PORT | CAPTURE JET CFM & S.P. | TYPE      | COLLAR SIZE | WIDTH | DEPTH | HEIGHT | MANUFACTURER | MODEL | REMARKS |
|-------------|-------------|---------------|------------------------|-----------|-------------|-------|-------|--------|--------------|-------|---------|
| HOOD#1L NEW | 709         | 0.13"         | 47 @ 0.30"             | BACKSHELF | 8"x8"       | 63"   | 37"   | 38"    | HALTON       | KVL-2 | 1       |
| HOOD#1R NEW | 1204        | 0.13"         | 80 @ 0.30"             | BACKSHELF | 11"x10"     | 107"  | 37"   | 38"    | HALTON       | KVL-2 | 1       |
| HOOD#2 NEW  | 701         | 0.30"         | 30 @ 0.29"             | BACKSHELF | 8"x8"       | 45"   | 34"   | 38"    | HALTON       | KVL-C | 1       |
| HOOD#3 NEW  | 701         | 0.30"         | 30 @ 0.29"             | BACKSHELF | 8"x8"       | 42"   | 34"   | 38"    | HALTON       | KVL-C | 1       |

NOTES: DIMENSIONS OF HOODS INCLUDE BACK AND SIDE SPACERS (HEIGHT DOES NOT INCLUDE CLOSURE PANELS).

REMARKS: 1. HOOD SHOP DRAWINGS ARE INCLUDED FOR REFERENCE ON SHEET MH-101. REFER TO SHOP DRAWINGS FOR HOOD OPTIONS AND CONSTRUCTION.

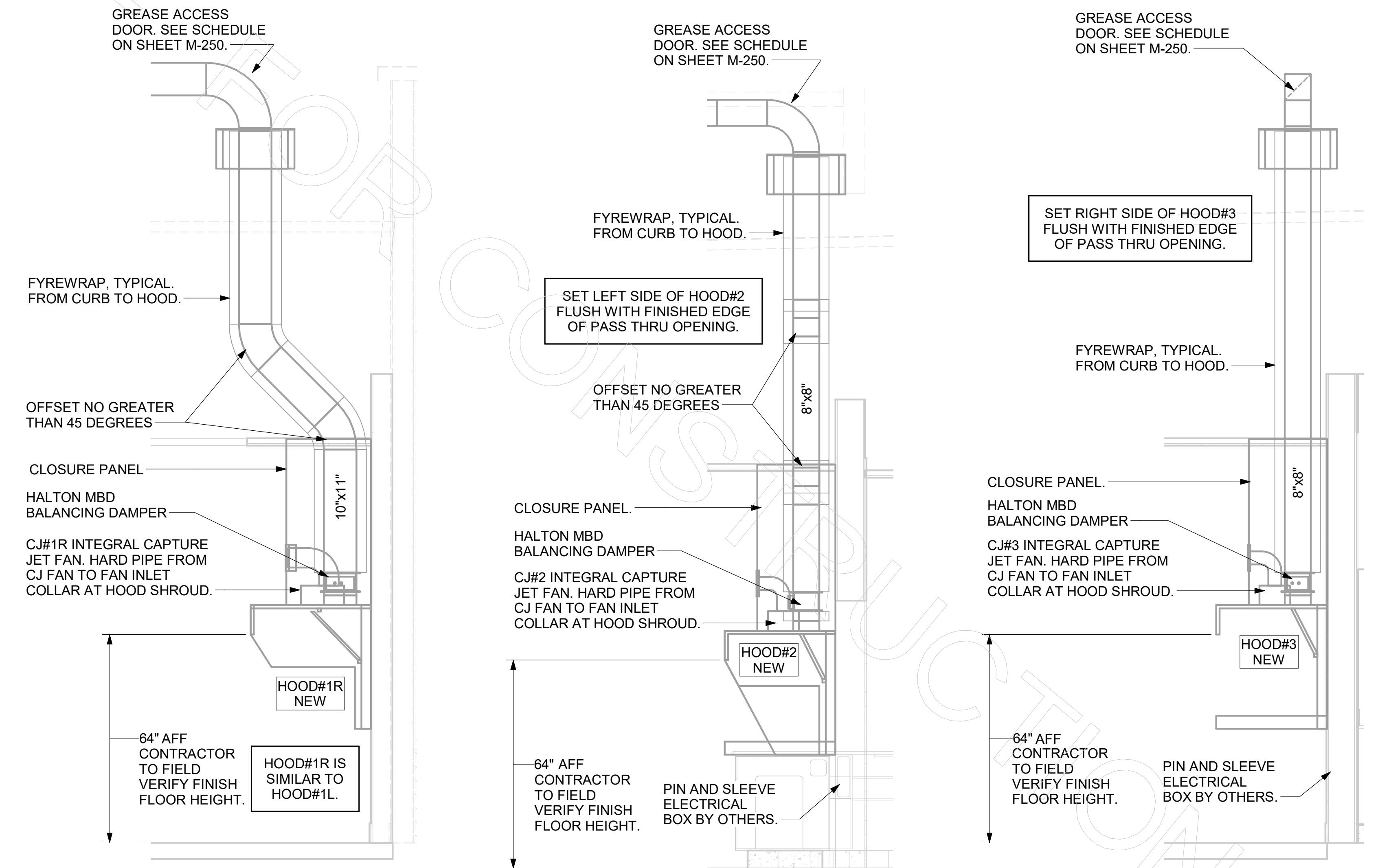
### KITCHEN HOOD SYSTEMS NOTES

- CHICK-FIL-A MAINTAINS A NATIONAL ACCOUNT WITH HALTON CO. FOR THE HOODS. CHICK-FIL-A WILL PURCHASE AND PROVIDE THE HOODS FOR INSTALLATION BY THE MECHANICAL CONTRACTOR. THE MECHANICAL CONTRACTOR SHALL BE RESPONSIBLE FOR RECEIVING THE HOODS. CONTACT HALTON CO. AT 270-237-5600 FOR MORE INFO.
- THE FIRE SUPPRESSION SYSTEM SHALL CONSIST OF A COMPLETE WET ANSUL SYSTEM FURNISHED BY HALTON. THE HOOD SHALL BE FURNISHED PRE-PIPED BY HALTON.
- THE R-102 ANSUL FIRE SUPPRESSION SYSTEM EXTERNAL TO THE HOODS SHALL BE INSTALLED IN ACCORDANCE WITH HOOD MANUFACTURER'S SHOP DRAWINGS BY AN AUTHORIZED ANSUL SYSTEM INSTALLER SELECTED AND HIRED BY HALTON. COST FOR ANSUL INSTALLATION INCLUDED IN PRICE OF HOODS TO CFA.
- HOOD EXHAUST DUCTWORK SHALL BE 16 GA. BLACK STEEL WITH CONTINUOUS LIQUID TIGHT WELD OF JOINTS & SEAMS.
- URNS IN GREASE EXHAUST DUCTWORK SHALL BE LONG RADIUS TYPE, WITH A CENTERLINE RADIUS R=3W/2, UNLESS OTHERWISE NOTED. NO MITERED FITTINGS ALLOWED.
- ALL STAINLESS STEEL CLOSURE PANELS SHALL BE SUPPLIED BY HOOD MANUFACTURER AND INSTALLED BY THE MECHANICAL CONTRACTOR ACCORDING TO MANUFACTURER'S RECOMMENDATIONS.
- SLOPE ALL GREASE EXHAUST DUCT BACK TO HOOD AT 1/4" PER FOOT OF RUN.
- WRAP NEW GREASE DUCT WITH UNIFRAX FyreWrap. INSULATION ON ACCESS DOORS SHALL BE INSTALLED ACCORDING TO MANUFACTURER'S INSTALLATION RECOMMENDATIONS. UNIFRAX FyreWrap PRODUCT USED SHALL MEET LOCAL CODE REQUIREMENTS.
- SUPPORT ALL HOODS WITH THREADED ROD AT EACH FACTORY SUPPORT POINT. EACH SUPPORT POINT MUST SUPPORT THE HOOD WEIGHT EQUALLY. ATTACH TO STRUCTURE AS DETAILED ON STRUCTURAL DRAWINGS. ATTACH HOOD TO WALL AT 16" INTERVALS ALONG FULL LENGTH OF HOOD ON TOP AND BOTTOM. ATTACHMENT TO WALL REQUIRES FIELD DRILLING OF SUPPORT ANGLE AT BACK OF HOODS. EACH WALL ATTACHMENT POINT MUST OCCUR AT A WALL STUD. ATTACHMENT HARDWARE TO BE #12-24 HEX HEAD SHEET METAL SCREW EQUAL TO TEXTRON SDS ED285. LENGTH AS REQUIRED TO FULLY PENETRATE THE STUD.
- MECHANICAL CONTRACTOR TO PROVIDE AND INSTALL SUNCOAST H.E.S. SYSTEM FOR ALL HOODS. SEE HOOD FAN/EQUIPMENT INTERLOCK WIRING DIAGRAM ON SHEET M-501 FOR MORE INFORMATION.

**GREASE EXHAUST DUCT CLEARANCE NOTE:**  
 CLEARANCES ABOVE CEILING ARE TIGHT. MECHANICAL CONTRACTOR TO FIELD VERIFY EXACT ROUTING AND CLEARANCES PRIOR TO FABRICATING GREASE EXHAUST DUCT.

**CLEANOUT DOOR NOTE:**  
 DUCT WRAP SHALL BE APPLIED TO THE CLEANOUT DOOR PER THE WRAP MFR'S INSTALLATION INSTRUCTIONS. NO EXCEPTIONS. ALSO, THE CLEANOUT DOOR MUST BE REMOVABLE WITHOUT TOOLS AND MUST BE CLEARLY AND PERMANENTLY LABELED.

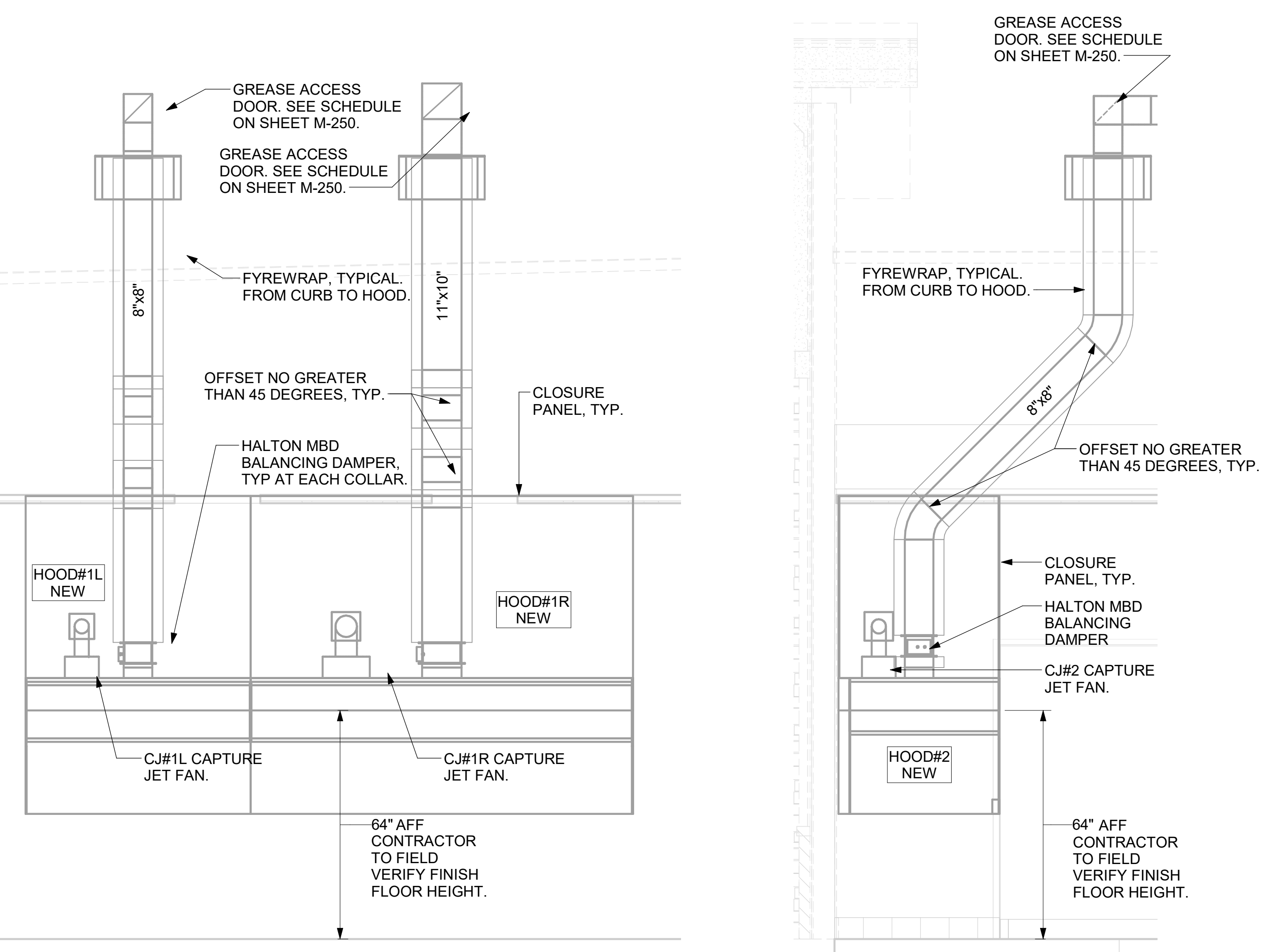
NOTE: SEE ARCHITECTURAL PLANS FOR HOOD LOCATIONS.



**3 HOOD#1 SIDE ELEVATION**  
 NOT TO SCALE

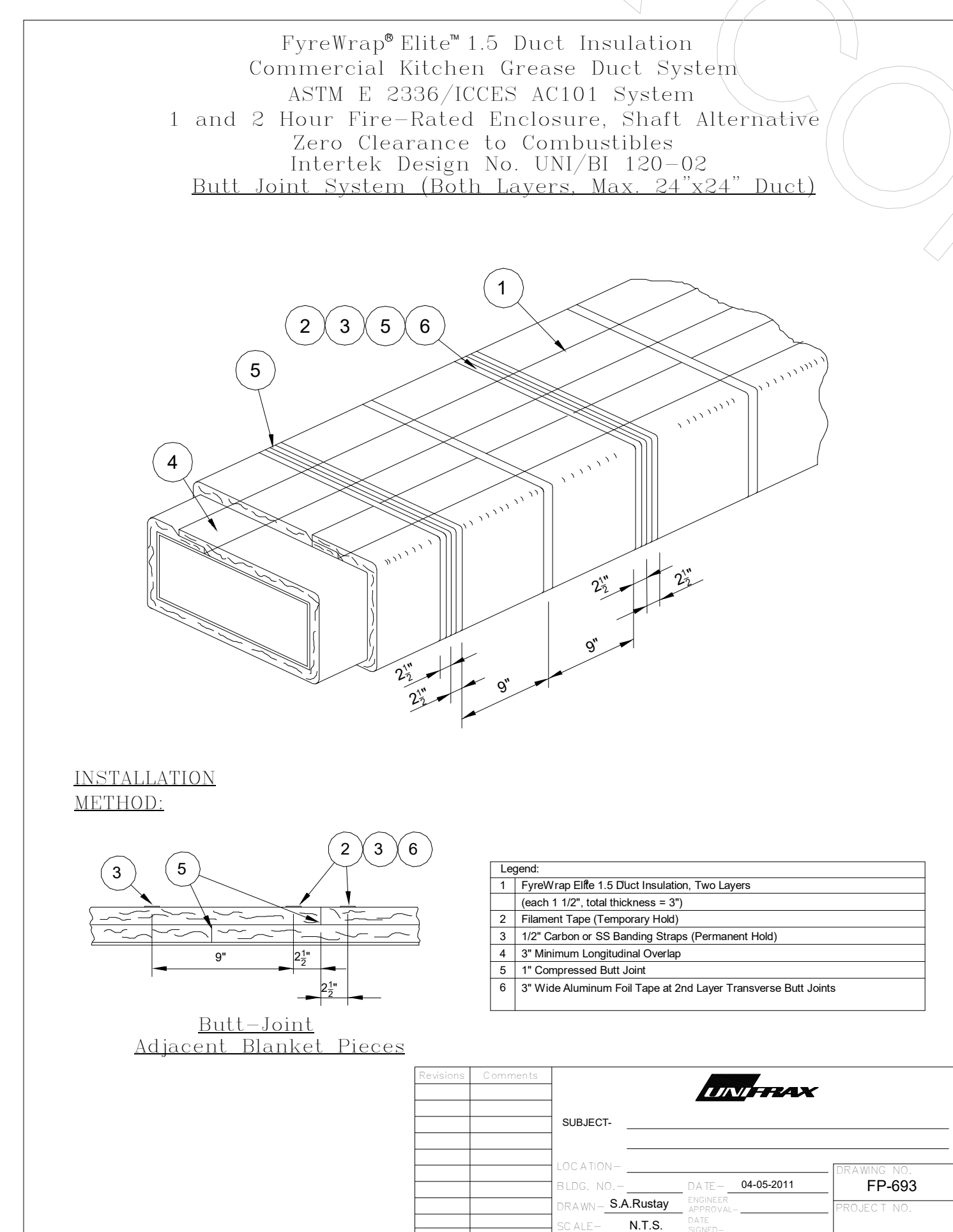
**5 HOOD#2 SIDE ELEVATION**  
 NOT TO SCALE

**7 HOOD#3 SIDE ELEVATION**  
 NOT TO SCALE



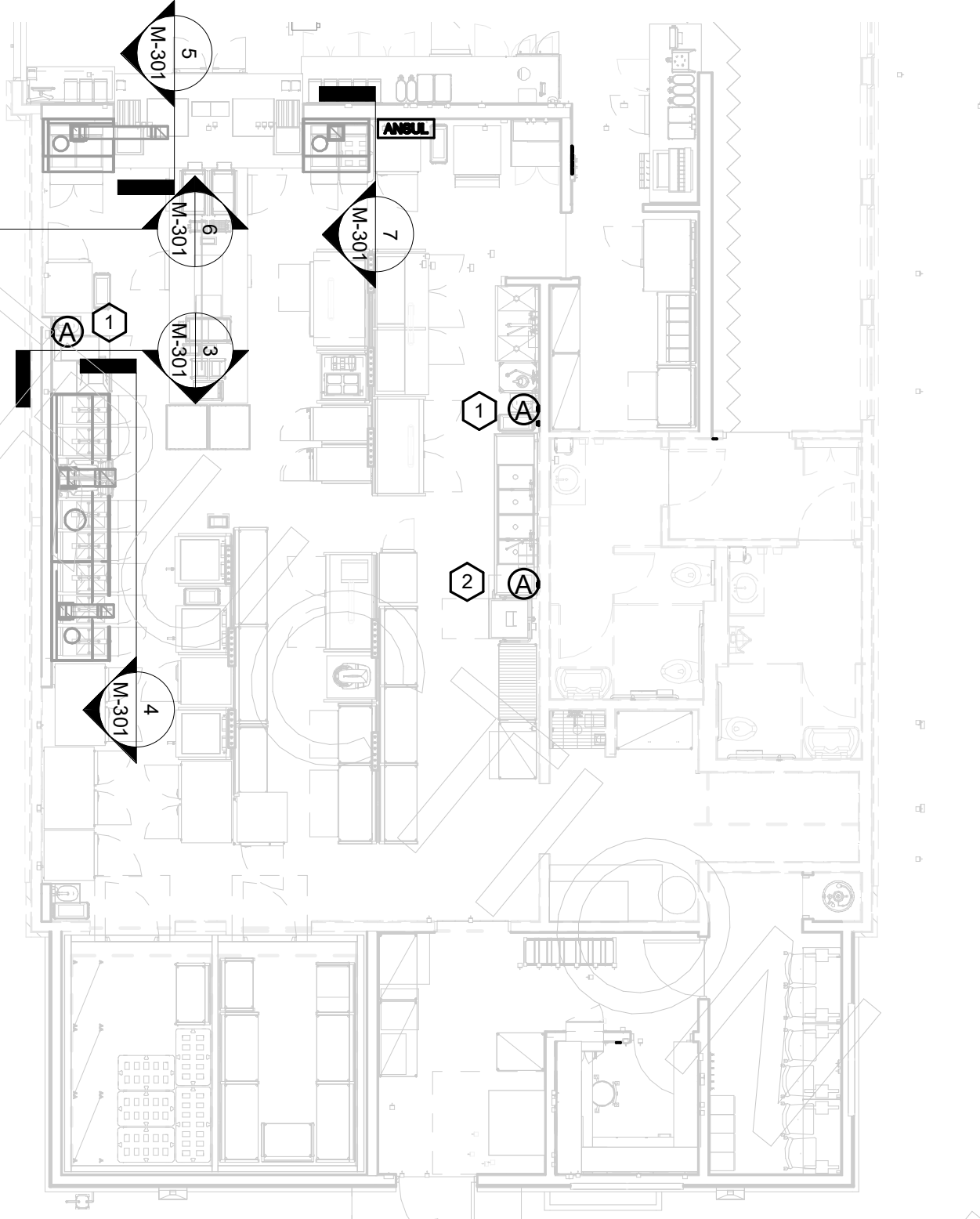
**4 HOOD#1 FRONT ELEVATION**  
 NONE

**6 HOOD#2 FRONT ELEVATION**  
 NOT TO SCALE



### KEY NOTES

- ANSUL PULL STATIONS SERVING HOOD#2 AND HOOD#3. LOCATE ANSUL PULL STATIONS BETWEEN 42" AND 48" AFF. COORDINATE EXACT LOCATION WITH KITCHEN EQUIPMENT ELEVATIONS. J-BOX AND CONDUIT ARE BY ELECTRICAL. PROVIDE WHITE BAKELITE LABEL WITH 1/4" HIGH LETTERS INDICATING THE HOODS SERVED. I.E. "PASS-THRU HOODS". BOTH PULL STATIONS SERVE THE SAME REMOTE MOUNTED ANSUL TANKS.
- ANSUL PULL STATION SERVING HOOD#1L AND HOOD#1R. LOCATE ANSUL PULL STATION BETWEEN 42" AND 48" AFF. COORDINATE EXACT LOCATION WITH KITCHEN EQUIPMENT ELEVATIONS. J-BOX AND CONDUIT ARE BY ELECTRICAL. PROVIDE WHITE BAKELITE LABEL WITH 1/4" HIGH LETTERS INDICATING THE HOODS SERVED. I.E. "MAIN COOKLINE HOODS".



**1 HOOD LAYOUT**  
 1/8" = 1'-0"

**CHICK-FIL-A**  
 WARD PARKWAY FSU  
 8551 State Line Rd  
 Kansas City, MO 64114

**FSR#01772**

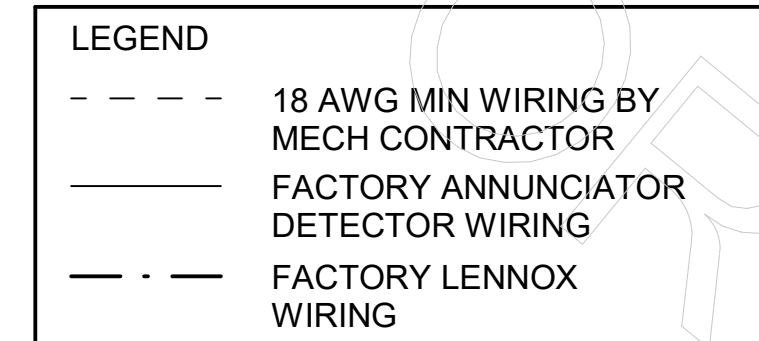
BUILDING TYPE / SIZE: S06E-R  
 RELEASE: v2.20.08  
 PRINTED FOR:  
**ISSUED FOR CONSTRUCTION**

| REVISION | SCHEDULE | NO. | DATE | DESCRIPTION |
|----------|----------|-----|------|-------------|
|          |          |     |      |             |

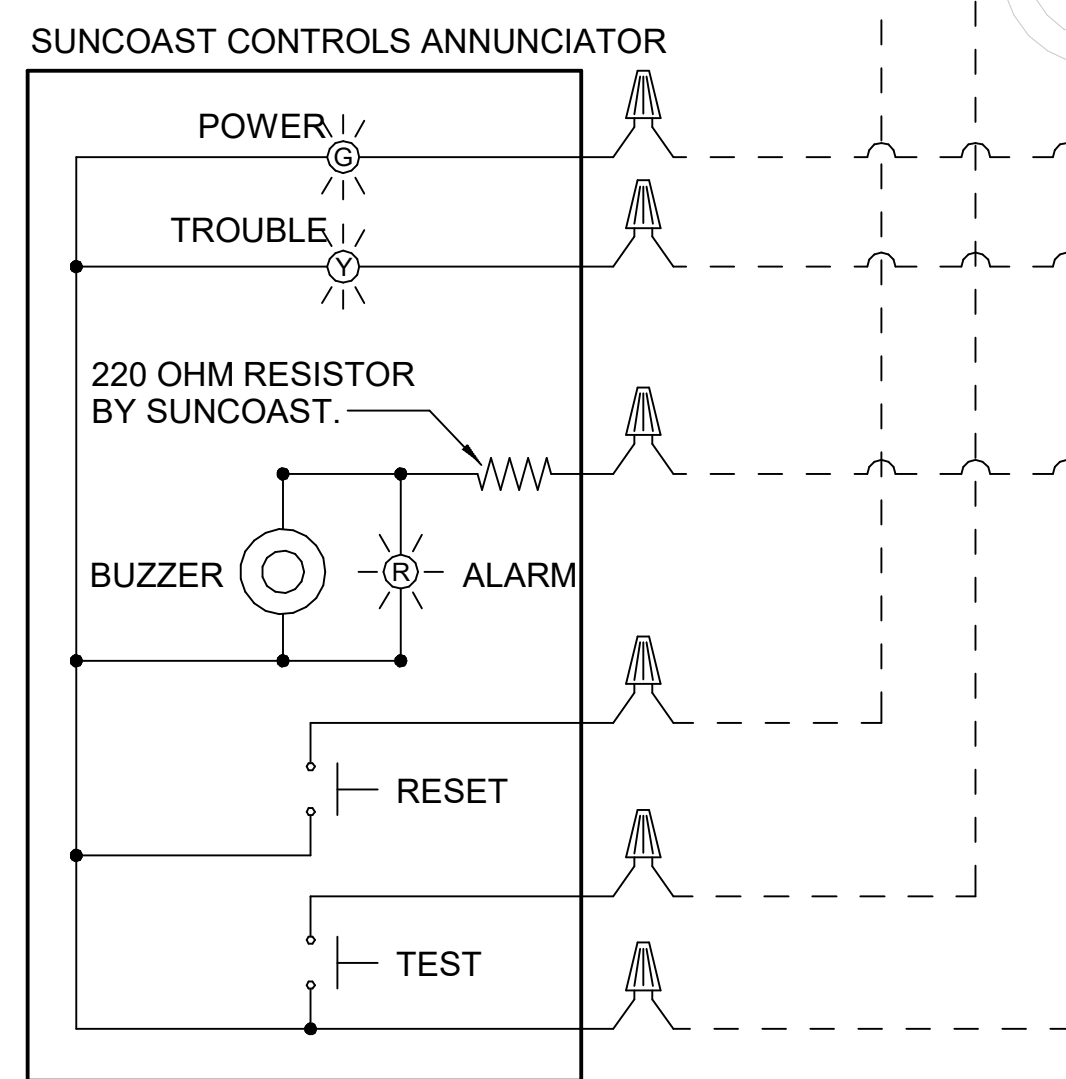
CONSULTANT PROJECT # 22117.CD.R  
 DATE 11/30/22  
 DRAWN BY DSF  
 INFORMATION CONTAINED ON THIS DRAWING ARCHITECTURAL IS THE PROPERTY OF CHICK-FIL-A AND IS NOT TO BE REPRODUCED OR TRANSMITTED IN ANY FORM OR BY ANY MEANS, ELECTRONIC OR MECHANICAL, WITHOUT PERMISSION IN WRITING FROM CHICK-FIL-A.  
**HOOD DETAILS AND SCHEDULES**  
 SHEET NUMBER **M-301**



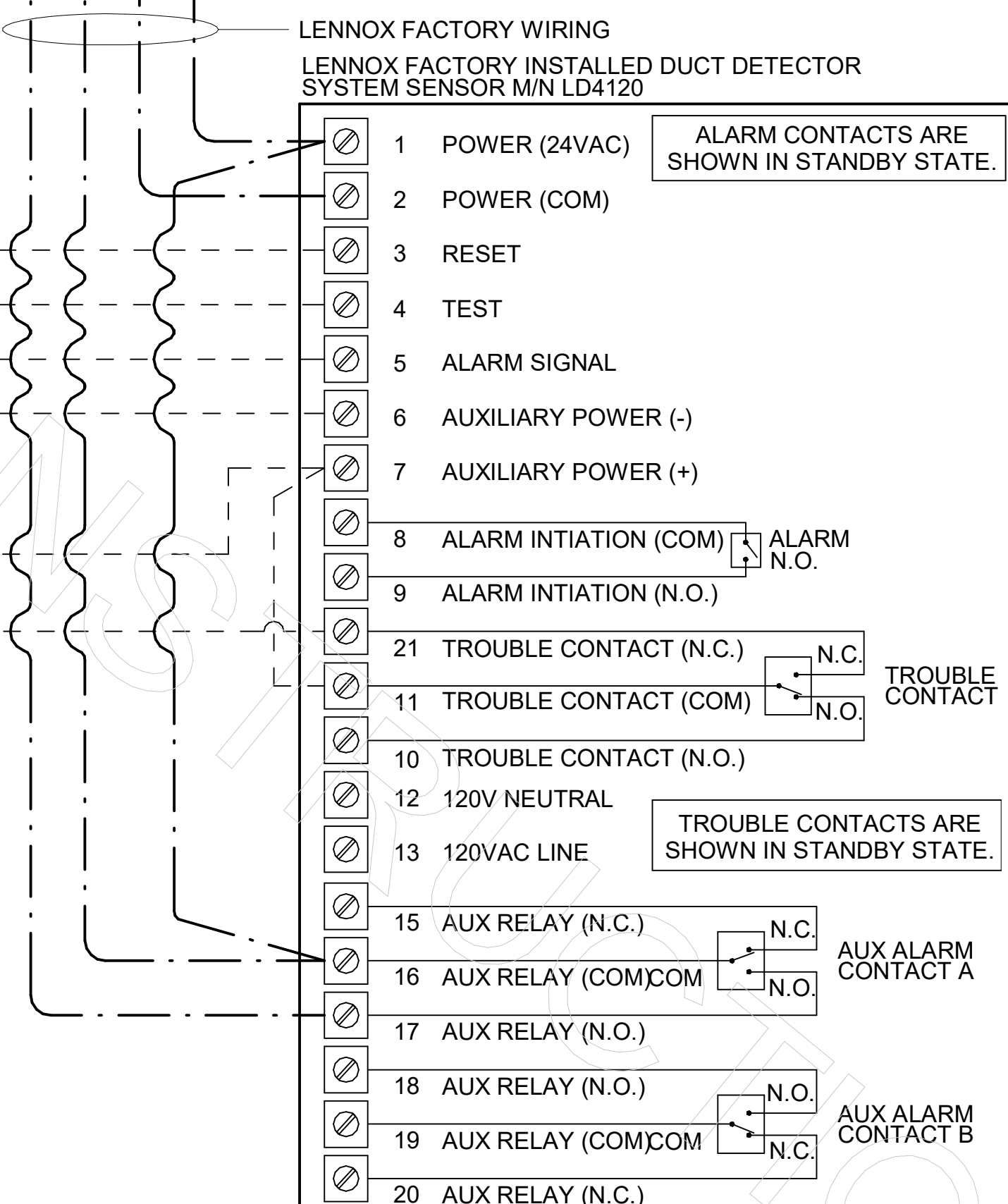
SUPPLY SIDE DETECTORS:  
IF SUPPLY SIDE SMOKE DETECTORS ARE SHOWN ON DWG M-201, AND CALLED FOR ON RTU SCHEDULE, THE CONTRACTOR IS TO RELOCATE FACTORY INSTALLED SUPPLY SMOKE DETECTOR FROM BLOWER SECTION TO DUCTWORK. SEE NOTES ON DWG M-201.



LABELING:  
PROVIDE ENGRAVED LABEL WITH 1" HIGH WHITE LETTERS ON BLACK BACKGROUND IDENTIFYING UNIT SERVED.

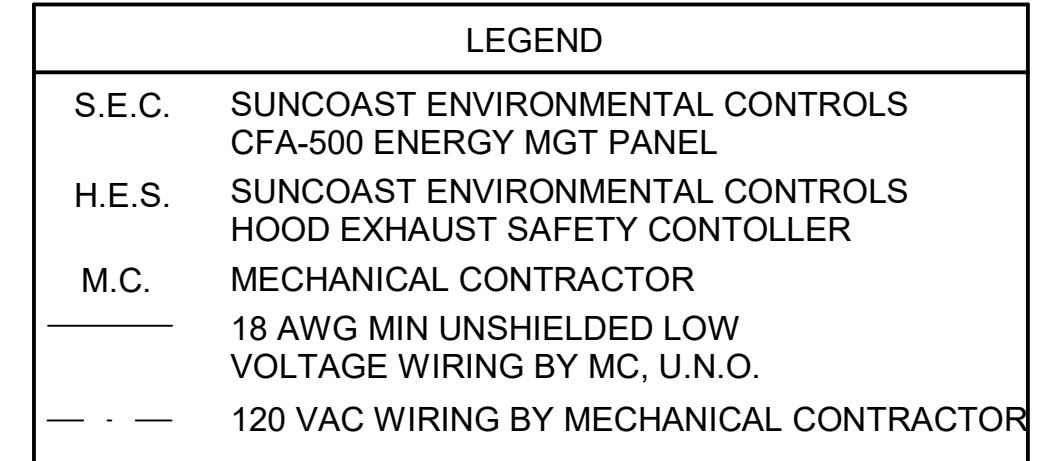


FIELD INSTALLED WIRING:  
WITHIN THE ROOFTOP UNIT, WIRING SHALL BE ROUTED BY WAY OF FACTORY WIREWAYS ONLY. WIRING ROUTED OVER THE BLOWER HOUSING OR BY WAY OF OTHER ROUTES DETRIMENTAL TO THE WIRING LIFE WILL NOT BE ACCEPTED.



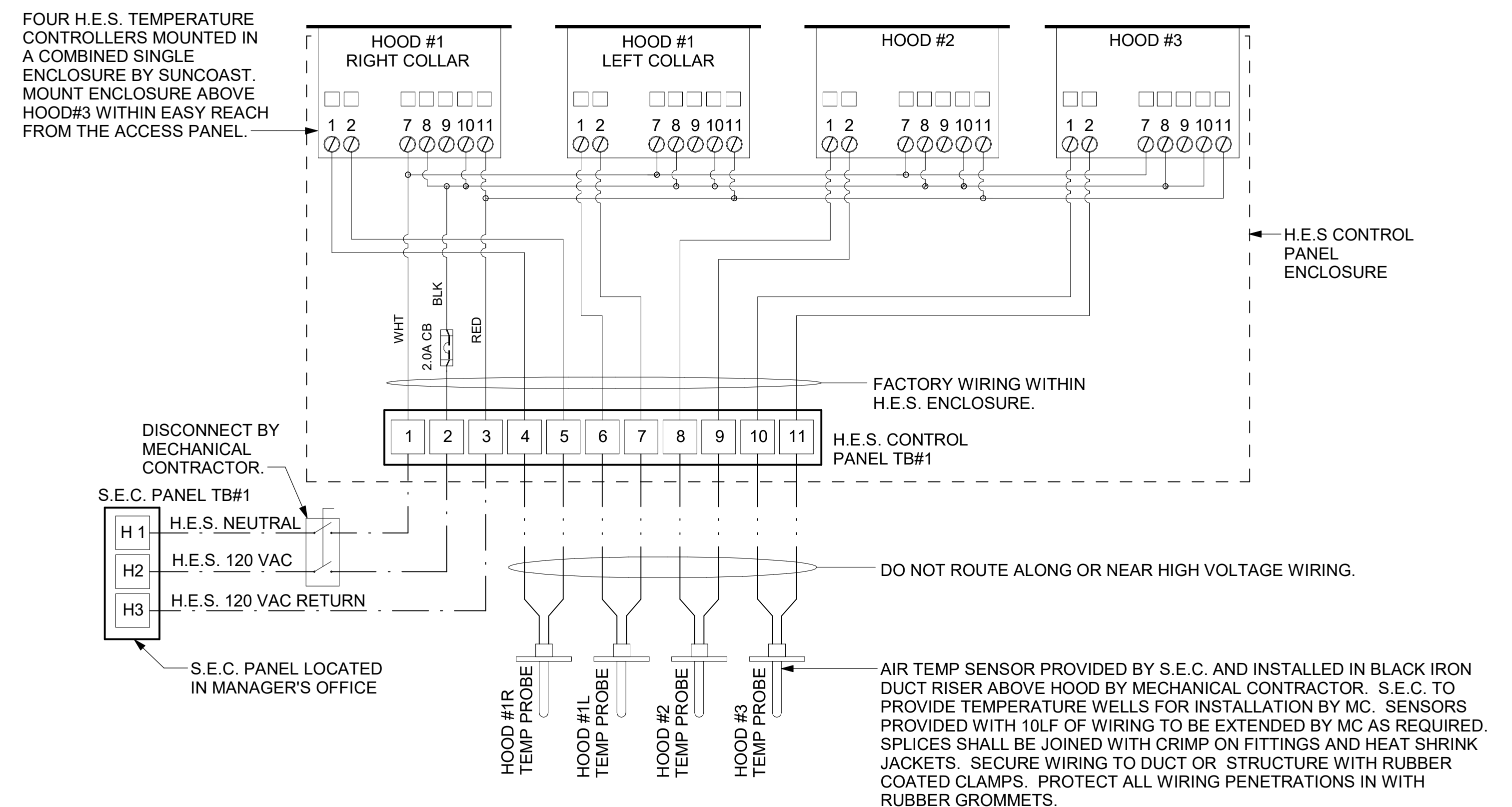
2 SMOKE DETECTOR AND ANNUNCIATOR WIRING DIAGRAM - LENNOX  
NOT TO SCALE

PROVIDE A PROFESSIONALLY LAMINATED COPY OF THESE DETAILS TO BE INSTALLED INSIDE THE ROOFTOP UNIT CONTROL CABINET. USE A SETON CHART FRAME STYLE #68624, TELEPHONE NUMBER 800-243-6624, FOR MOUNTING THE DETAIL. ATTACH THE FRAME TO THE INTERIOR OF THE UNIT IN PLAIN AND EASY VIEW OF THE CONTROLS SECTION. CONTACT ENGINEER OF RECORD FOR A REPRODUCIBLE COPY OF THE DETAIL.



GENERAL NOTES  
1. MECHANICAL CONTRACTOR TO PURCHASE THE H.E.S. CONTROL PANEL AND COMPONENTS FROM SUNCOAST ENVIRONMENTAL CONTROLS. TELEPHONE 877-544-6679.  
2. CONTROLS COMPONENTS TO BE FACTORY MOUNTED IN LABELED NEMA-1 ENCLOSURES.  
3. MECHANICAL CONTRACTOR TO PROVIDE A PROFESSIONALLY LAMINATED COPY OF THIS DETAIL ATTACHED TO THE ENCLOSURE. CONTACT ENGINEER OF RECORD FOR A REPRODUCIBLE COPY OF THE DETAIL.

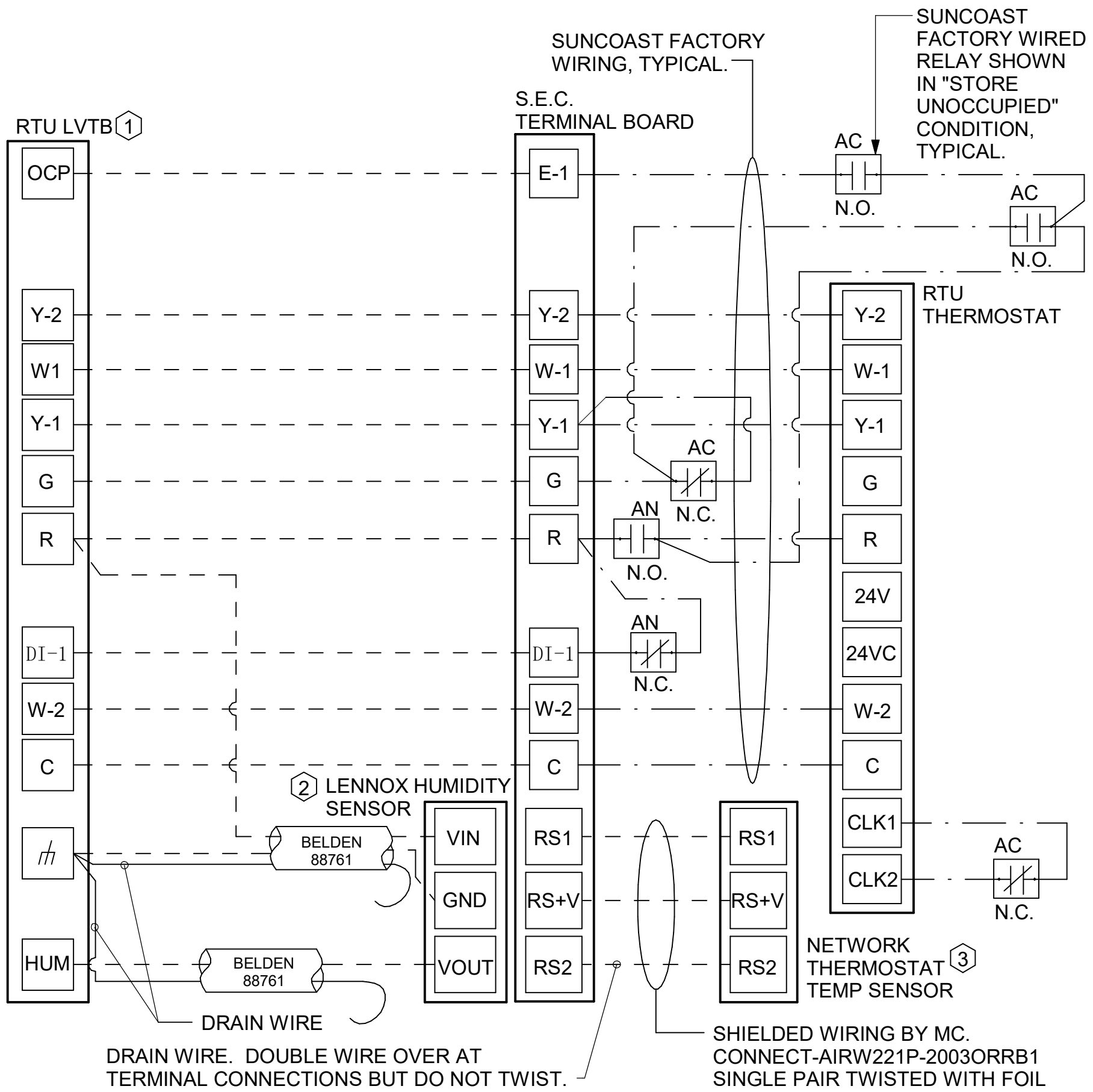
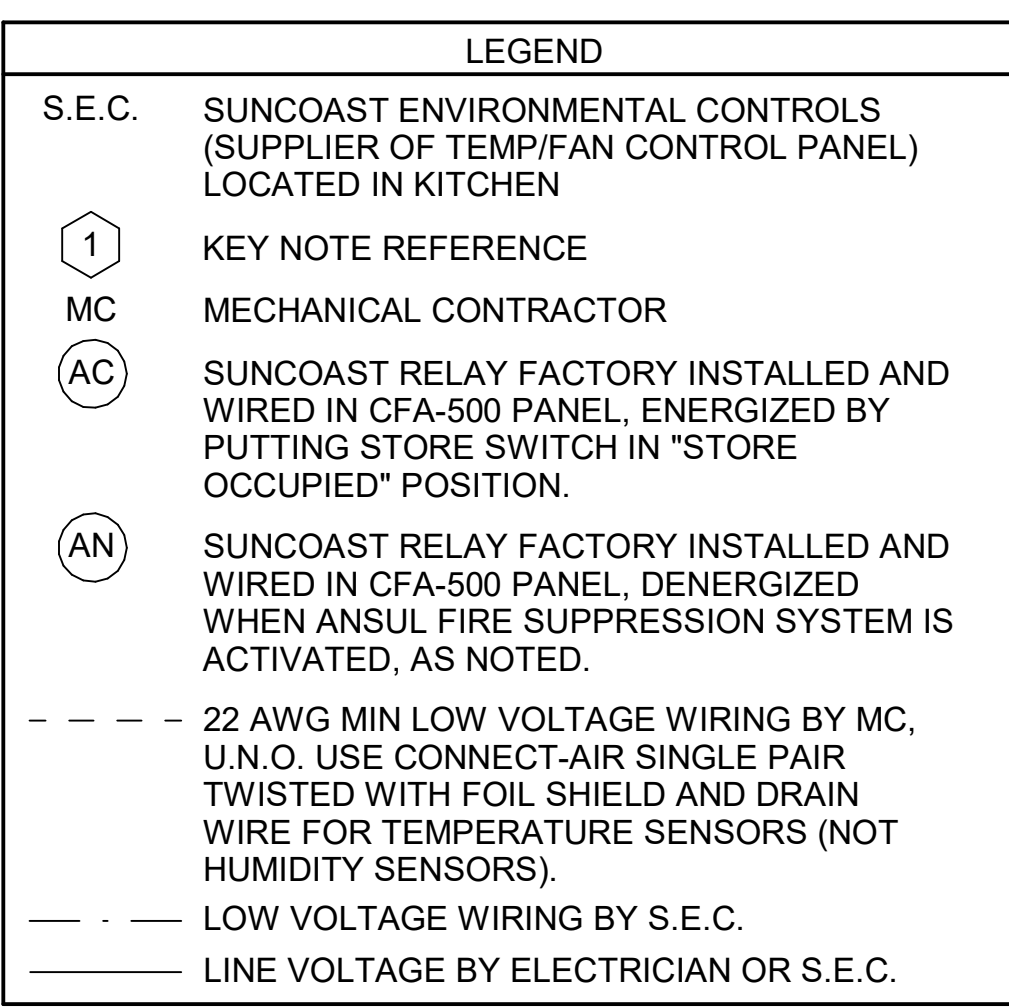
S.E.C. H.E.S. OPERATION  
IN THE EVENT THAT ANY COOKING EQUIPMENT ITEM BENEATH ANY HOOD IS STARTED WITHOUT THE 'STORE SWITCH' BEING IN THE 'OCCUPIED' POSITION, THE H.E.S. CONTROLLER WILL SENSE THE HEAT RISE WITHIN THE HOOD CANOPY AND ENERGIZE THE EXHAUST FANS.



3 HOOD FAN/EQUIPMENT INTERLOCK  
NOT TO SCALE

- NOTES:
- MECHANICAL CONTRACTOR SHALL MAKE PLASTIC LAMINATE OF THIS DETAIL AND INSTALL PERMANENTLY ON INSIDE DOOR OF ROOFTOP UNIT CONTROL COMPARTMENT.
  - SEE DETAILS THIS SHEET FOR SMOKE DETECTOR AND ANNUNCIATOR WIRING.
  - SET ALL THERMOSTATS FOR AUTO CHANGEOVER.
  - PROVIDE PLASTIC ENGRAVED LABEL AT ALL NEW SENSORS WITH 1/4" HIGH WHITE LETTERING ON BLACK BACKGROUND, I.E. "AC#2 HUMIDITY SENSOR" OR "AC#2 TEMP SENSOR". PLACE LABELS ON WALL ADJACENT TO DEVICE, DO NOT APPLY DIRECTLY TO DEVICE.

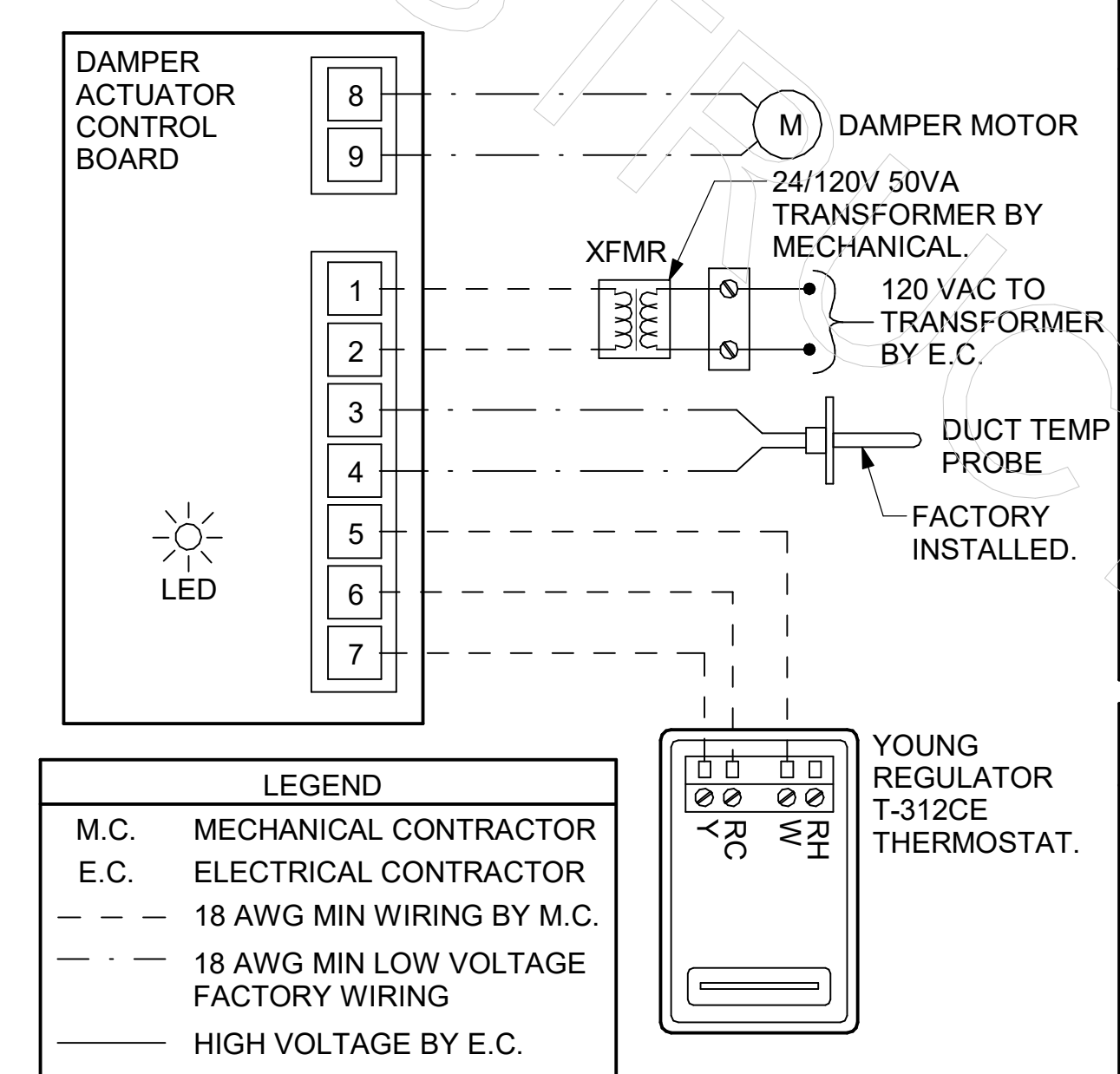
- KEYED NOTES:
- LOW VOLTAGE WIRING TO RTU TO BE ROUTED TO UNIT THRU FACTORY WIREWAY.
  - HUMIDITROL UNITS ONLY: WIRING TO HUMIDITY SENSOR TO BE MADE WITH TWO SEPARATE RUNS OF SHIELDED TWISTED PAIR. TERMINATE SHIELD WIRES AT TB-1, LEAVE OPEN AT SENSOR.
  - NETWORK TSTAT REMOTE TEMP SENSOR PROVIDED BY SUNCOAST AND INSTALLED BY MC. SENSOR IS INTENDED TO BE SURFACE MOUNTED AND DOES NOT REQUIRE A SINGLE GANG BOX OR CONDUIT. FIELD CALIBRATE EACH SENSOR.



1 ROOFTOP UNIT CONTROL WIRING - LENNOX  
NOT TO SCALE

- LENNOX PRODIGY CONTROLLER SETTINGS:
- FOR ALL RTU'S EXCEPT AT AC#1, CHANGE PRODIGY-M3 BOARD CONTROL PARAMETER #65 TO ZERO (#58 ON LCH UNITS). THIS WILL CAUSE THE O.A. DAMPER TO OPEN ON "OCCUPIED" START. AT KITCHEN RTU(S) (LGH TYPE) LEAVE THE SETTINGS AT THE DEFAULT VALUE SO THE O.A. DAMPER WILL REMAIN CLOSED FOR THE FIRST 60 MINUTES AFTER "OCCUPIED" START. AT KITCHEN RTU(S) (LCH TYPE) CHANGE THE VALUE TO 5400 SO THE O.A. DAMPER WILL REMAIN CLOSED FOR THE FIRST 90 MINUTES AFTER "OCCUPIED" START.
  - AT HUMIDITROL RTU'S, SET PRODIGY-M3 BOARD CONTROL PARAMETER #105 FOR DEHUMIDIFICATION OPERATION TO A VALUE OF 7.
  - AT HUMIDITROL RTU'S, SET PRODIGY-M3 BOARD CONTROL PARAMETER #106 FOR DEHUMIDIFICATION SET POINT TO A VALUE OF 60 (60% RH).
  - AT HUMIDITROL RTU'S, SET PRODIGY-M3 BOARD CONTROL PARAMETER #107 FOR DEHUMIDIFICATION MODE DEAD BAND TO A VALUE OF 2 (2% RH).
  - AT MSAV UNITS, SET THE MSAV LOW SPEED SETTING TO THE SAME VALUE AS THE HIGH SPEED SETTING AFTER TAB IS COMPLETE.

- LENNOX FRESH AIR HEATING SETUP WHEN SPECIFIED:
- INSTALL FRESH AIR TEMPERING KIT WIRING HARNESS AS RECOMMENDED BY LENNOX.
  - LOCATE SUPPLY AIR TEMPERATURE SENSOR IN SUPPLY DUCT DOWNSTREAM OF FIRST ELBOW. SECURE WIRING TO DUCT OR STRUCTURE WITH RUBBER COATED CLAMPS. DO NOT RUN WIRING INSIDE DUCT WORK. PROTECT ALL WIRING PENETRATIONS WITH RUBBER GROMMETS.
  - FOR PRODIGY 2.0: FIRST SET FRESH AIR HEATING ENABLE TO "YES" THRU THE TAB/DAMPER MENU (LEAVE FRESH AIR COOLING AS "NO"). NEXT, CHANGE PRODIGY-M3 BOARD CONTROL PARAMETER #156 TO A VALUE OF 66. THIS WILL PREVENT THE SUPPLY AIR TEMPERATURE FROM DROPPING BELOW 66F DEG DURING HEATING MODE WHEN THERMOSTAT IS NOT ACTIVELY CALLING FOR HEAT.
  - CHANGE PRODIGY-M3 BOARD CONTROL PARAMETER #157 TO A VALUE OF 14. THIS WILL MAKE THE DEADBAND VALUE EQUAL 14F.
  - CHANGE PRODIGY-M3 BOARD CONTROL PARAMETER #158 TO A VALUE OF 300. THIS WILL MAKE THE CYCLE TIME VALUE EQUAL 5 MINUTES.



4 VAV DAMPER AND TSTAT - MGRS OFFICE  
NOT TO SCALE

- NOTES
- SEE DWG M-201 FOR COMPONENT MODEL NUMBERS AND ORDERING INFORMATION.
  - 120V POWER FOR TRANSFORMER TO BE NON-SWITCHED AND LIVE 24 HOURS EACH DAY.
  - PROVIDE ALL NECESSARY WIRING AND COMPONENTS TO MAKE CONTROL AND POWER CONNECTIONS TO TRANSFORMER, ZONE DAMPER, AND THERMOSTAT PER MANUFACTURER'S IOM.
  - PROVIDE MYLAR LABEL AT ALL NEW THERMOSTATS WITH 1/4" HIGH WHITE LETTERING ON BLACK BACKGROUND, I.E. "OFFICE THERMOSTAT". PLACE LABELS ON WALL ADJACENT TO DEVICE. DO NOT APPLY DIRECTLY ON DEVICE.
- SEQUENCE OF OPERATION
- WHEN THE SUPPLY AIR TEMPERATURE IS LESS THAN 72F THE DAMPER WILL OPEN FULLY ON A RISE IN SPACE TEMPERATURE ABOVE THE SETPOINT.
  - WHEN THE SUPPLY AIR TEMPERATURE IS GREATER THAN 71F THE DAMPER WILL OPEN FULLY ON A FALL IN SPACE TEMPERATURE BELOW THE SETPOINT.



**CHICK-FIL-A**  
WARD PARKWAY FSU  
8551 State Line Rd  
Kansas City, MO 64114

**FSR#01772**  
BUILDING TYPE / SIZE: S06E-R  
RELEASE: v2.20.08  
PRINTED FOR:  
**ISSUED FOR CONSTRUCTION**

REVISION SCHEDULE  
NO. DATE DESCRIPTION  
2 01/13/2023 Issue for Bid

CONSULTANT PROJECT # 22117.GD.R  
DATE 11/30/22  
DRAWN BY  
Information contained on this drawing and all digital files produced for above named project may not be reproduced in any manner without explicit written or verbal consent from authorized project representatives.  
SHEET  
HVAC CONTROLS  
SHEET NUMBER  
**M-501**

FOR CONSTRUCTION

**COMcheck Software Version 4.1.5.1**  
**Envelope Compliance Certificate**

**Project Information**  
 Energy Code: 2012 IECC  
 Project Title: Chick-fil-A #1772  
 Location: Kansas City, Missouri  
 Climate Zone: 4a  
 Project Type: Addition

Construction Site: 8551 State Line Rd. Kansas City, MO 64114  
 Owner/Agent: Chick-fil-A 5200 Buffington Road Atlanta, GA 30349  
 Designer/Contractor: Kurzynske & Associates 2705 Lebanon Pike - Suite One Nashville, TN 37214 615-255-5203

**Building Area**

| Building Area   | Floor Area |
|---|------------|
| 1-Storage/Office (Dining, cafeteria/fast food) - Nonresidential | 573        |

**Envelope Assemblies**

| Assembly  | Gross Area or Perimeter | Cavity R-Value | Cont. R-Value | Proposed U-Factor | Budget U-Factor |
|---|-------------------------|----------------|---------------|-------------------|-----------------|
| Roof 1: Insulation Entirely Above Deck. High Albedo Roof Required. (Bldg. Use 1 - Storage/Office) | 573                     | ---            | 30.0          | 0.032             | 0.039           |
| Floor 1: Slab-On-Grade/Unvented, Vertical 2 ft. (Bldg. Use 1 - Storage/Office) (b)                | 112                     | ---            | 10.0          | 0.540             | 0.540           |
| <b>NORTH</b>  |                         |                |               |                   |                 |
| Exterior Wall 1: Wood-Framed, 16" o.c. (Bldg. Use 1 - Storage/Office)                             | 203                     | 20.0           | 0.0           | 0.064             | 0.064           |
| <b>EAST</b>   |                         |                |               |                   |                 |
| Exterior Wall 2: Wood-Framed, 16" o.c. (Bldg. Use 1 - Storage/Office)                             | 638                     | 20.0           | 0.0           | 0.064             | 0.064           |
| Door 1: Insulated Metal, Swinging, (Bldg. Use 1 - Storage/Office)                                 | 28                      | ---            | ---           | 0.330             | 0.610           |
| <b>SOUTH</b>  |                         |                |               |                   |                 |
| Exterior Wall 3: Wood-Framed, 16" o.c. (Bldg. Use 1 - Storage/Office)                             | 203                     | 20.0           | 0.0           | 0.064             | 0.064           |

(a) Budget U-factors are used for software baseline calculations ONLY, and are not code requirements.  
 (b) Slab-On-Grade proposed and budget U-factors shown in table are F-factors.

**Envelope PASSES: Design 3% better than code**

**Envelope Compliance Statement**  
 Compliance Statement: The proposed envelope design represented in this document is consistent with the building plans, specifications, and other calculations submitted with this permit application. The proposed envelope systems have been designed to meet the 2012 IECC requirements in COMcheck Version 4.1.5.1 and to comply with any applicable mandatory requirements listed in the Inspection Checklist.

Project Title: Chick-fil-A #1772 Report date: 11/14/22  
 Data filename: Z:\Shared\02 Prototypes\Chick-fil-A\2022\Remodels\22117.CD.R - Kansas City, MO (Ward Parkway) - 1772\ComCheck\CFA #1772 2012 IECC ComCheck.ck Page 1 of 9

Name - Title \_\_\_\_\_ Signature \_\_\_\_\_ Date \_\_\_\_\_

Project Title: Chick-fil-A #1772 Report date: 11/14/22  
 Data filename: Z:\Shared\02 Prototypes\Chick-fil-A\2022\Remodels\22117.CD.R - Kansas City, MO (Ward Parkway) - 1772\ComCheck\CFA #1772 2012 IECC ComCheck.ck Page 2 of 9

**COMcheck Software Version 4.1.5.1**  
**Mechanical Compliance Certificate**

**Project Information**  
 Energy Code: 2012 IECC  
 Project Title: Chick-fil-A #1772  
 Location: Kansas City, Missouri  
 Climate Zone: 4a  
 Project Type: Addition

Construction Site: 8551 State Line Rd. Kansas City, MO 64114  
 Owner/Agent: Chick-fil-A 5200 Buffington Road Atlanta, GA 30349  
 Designer/Contractor: Kurzynske & Associates 2705 Lebanon Pike - Suite One Nashville, TN 37214 615-255-5203

**Mechanical Systems List**

**Quantity System Type & Description**

1 ACR1 (25 ton) (Single Zone):  
 Heating: 1 each - Central Furnace, Gas, Capacity = 384 kBtu/h  
 Proposed Efficiency = 80.00% EI, Required Efficiency: 80.00 % EI  
 Cooling: 1 each - Single Package DX Unit, Capacity = 283 kBtu/h, Air-Cooled Condenser, Air Economizer  
 Proposed Efficiency = 10.50 SEER, Required Efficiency: 9.80 SEER + 9.9 IEER  
 Fan System: ACR1 Kitchen - Compliance (Motor nameplate HP method) : Passes

Fans:  
 Supply Supply, Constant Volume, 8500 CFM, 7.5 motor nameplate hp  
 Exhaust Exhaust, Constant Volume, 2000 CFM, 0.7 motor nameplate hp

1 AHU#1CUR1 (Single Zone):  
 Split System Heat Pump  
 Heating Mode: Capacity = 40 kBtu/h,  
 Proposed Efficiency = 10.00 HSPF, Required Efficiency = 7.70 HSPF  
 Cooling Mode: Capacity = 34 kBtu/h, No Economizer, Economizer exception: None  
 Proposed Efficiency = 16.20 SEER, Required Efficiency: 13.00 SEER  
 Fan System: None  
 SYSTEM COMPLIANCE FAILS: Economizer requirements have not been met.

1 EH (Electric Heater) (Single Zone):  
 Heating: 1 each - Radiant Heater, Electric, Capacity = 20 kBtu/h  
 No minimum efficiency requirement applies  
 Fan System: None

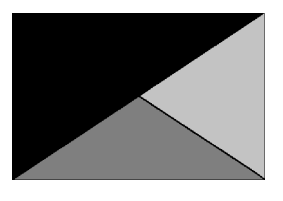
**Mechanical Compliance Statement**  
 Compliance Statement: The proposed mechanical design represented in this document is consistent with the building plans, specifications, and other calculations submitted with this permit application. The proposed mechanical systems have been designed to meet the 2012 IECC requirements in COMcheck Version 4.1.5.1 and to comply with any applicable mandatory requirements listed in the Inspection Checklist.

Name - Title \_\_\_\_\_ Signature \_\_\_\_\_ Date \_\_\_\_\_

Project Title: Chick-fil-A #1772 Report date: 11/14/22  
 Data filename: Z:\Shared\02 Prototypes\Chick-fil-A\2022\Remodels\22117.CD.R - Kansas City, MO (Ward Parkway) - 1772\ComCheck\CFA #1772 2012 IECC ComCheck.ck Page 1 of 8



**Chick-fil-A**  
 5200 Buffington Road  
 Atlanta, Georgia  
 30349-2998



**Kurzynske & Associates**  
 2705 Lebanon Pike - Suite One  
 Nashville, Tennessee 37214  
 Telephone: (615) 255-5203



4/17/23

**CHICK-FIL-A**  
**WARD PARKWAY FSU**  
 8551 State Line Rd  
 Kansas City, MO 64114

**FSR#01772**

BUILDING TYPE / SIZE: S06E-R  
 RELEASE: v2.20.08  
 PRINTED FOR  
**ISSUED FOR CONSTRUCTION**

**REVISION SCHEDULE**

| NO. | DATE | DESCRIPTION |
|-----|------|-------------|
|     |      |             |

CONSULTANT PROJECT # 22117.CD.R  
 DATE 11/30/22  
 DRAWN BY DSF  
 Information contained on this drawing and all digital files produced for above named project may not be reproduced in any manner without express written or verbal consent from authorized project representatives.  
**ENVELOPE & MECHANICAL COMCHECK**  
 SHEET NUMBER

**M-801**

1. SECTION C15000 - MECHANICAL SPECIFICATIONS

PART I - GENERAL

1.01 SCOPE

- A. IT IS THE RESPONSIBILITY OF CONTRACTOR TO READ ALL SPECIFICATIONS AND CONSULT ALL DRAWINGS WHICH MAY AFFECT THE INSTALLATION AND COORDINATION OF HIS WORK WITH OTHER TRADES. CONTRACTOR SHALL COORDINATE AND MAKE MINOR ADJUSTMENTS IN LOCATION OF EQUIPMENT AND MATERIALS AS NECESSARY TO SECURE COORDINATION.
- B. COMPLETED INSTALLATION SHALL CONFORM TO ALL APPLICABLE FEDERAL, STATE AND LOCAL CODES AND ORDINANCES, INCLUDING BUT NOT LIMITED TO THE LATEST APPROVED EDITIONS OF NFPA-96, NFPA-90A, NFPA-54, SMACNA, ASHRAE 90.1 AND ASHRAE 62.
- C. SYSTEM LAYOUT IS SCHEMATIC AND EXACT LOCATIONS SHALL BE DETERMINED BY STRUCTURAL CONDITIONS, COORDINATION WITH OTHER TRADES, COORDINATION WITH FINISHES AND OTHER CONDITIONS. STRUCTURAL SUPPORTS SHALL NOT BE CUT OR ALTERED TO ASSURE FIT OF HVAC SYSTEM. TEN FOOT CLEARANCE SHALL BE MAINTAINED BETWEEN OUTSIDE AIR INTAKES AND EXHAUST FANS AND PLUMBING VENT TERMINALS.
- D. CONTRACTOR SHALL BE RESPONSIBLE FOR ALL DEFECTS, REPAIRS AND REPLACEMENTS IN MATERIALS AND WORKMANSHIP FOR A PERIOD OF ONE (1) YEAR AFTER FINAL PAYMENT IS APPROVED. CONTRACTOR SHALL HONOR FACTORY WARRANTIES ON ALL EQUIPMENT PROVIDED AS PART OF THIS SYSTEM.
- E. UPON COMPLETION OF PROJECT, ALL SYSTEM EQUIPMENT AND MATERIALS SHALL BE IN NEW, CLEAN CONDITION WITH ALL DAMAGE RESTORED TO CONDITION ACCEPTABLE TO THE OWNERS REPRESENTATIVE. ALL EQUIPMENT, COMPONENTS, DUCTWORK, AND AIR DEVICES SHALL BE INSPECTED AND THOROUGHLY CLEANED, CLEARED OF DEBRIS, AND READY FOR USE. AT COMPLETION OF JOB, ALL MISCELLANEOUS TOOLS, SCAFFOLDING, SURPLUS MATERIALS, RUBBISH AND DEBRIS SHALL BE REMOVED BY CONTRACTOR.
- F. CONTRACTOR SHALL PROVIDE TWO SETS OF 2" MERV 8 OR HIGHER THROW AWAY TYPE FILTERS. A CLEAN SET SHALL BE PROVIDED PRIOR TO TEST AND BALANCE AND AGAIN PRIOR TO OPENING.

PART II - PRODUCTS

2.01 HEATING AND COOLING EQUIPMENT (C15730)

- A. FURNISH AND INSTALL R-410A ROOFTOP SINGLE PACKAGE COMBINATION ELECTRIC COOLING AND NATURAL GAS FIRED HEATING UNITS BY LENNOX AS SHOWN ON DRAWINGS. EQUIPMENT SHALL BE ARI CERTIFIED AND A.G.A. AND U.L. LISTED.
- B. ACCESSORIES SHALL INCLUDE LOW AND HIGH PRESSURE SAFETIES, CRANK CASE HEATER, OVERCURRENT AND OVERTEMPERATURE SAFETY, COMPRESSOR VIBRATION ISOLATORS, FILTER DRIERS, REFRIGERANT SERVICE VALVES, COIL HAIL GUARDS WHERE SCHEDULED, CONVENIENCE OUTLETS FACTORY INSTALLED ON SCHEDULED UNITS, UNIT MOUNTED NON-FUSED DISCONNECTS, LOW AMBIENT OPERATION DOWN TO 30 DEGREES F AND EVAPORATOR FREEZE STAT.
- C. COMPRESSORS SHALL BE FULLY HERMETIC SCROLL TYPE WITH INTERNAL VIBRATION ISOLATORS. COMPRESSORS SHALL BE PROVIDED WITH A MINIMUM FIVE (5) YEAR FULL WARRANTY.
- D. THE UNIT HEAT EXCHANGERS SHALL BE STEEL WITH ALUMINIZED STEEL COATING. HEATING CONTROLS SHALL CONSIST OF REDUNDANT GAS VALVES, INTERMITTENT PILOT WITH ELECTRONIC SPARK OR HOT PLATE IGNITION SYSTEM, COMBUSTION/EXHAUST FAN PROTECTED BY CENTRIFUGAL SWITCHES, HEAT LIMIT SWITCHES, TIME-DELAY RELAY, FLAME, AND PILOT SENSORS. ALL UNITS SHALL BE CAPABLE OF TWO STAGES OF HEAT. HEAT EXCHANGES SHALL HAVE A TEN (10) YEAR WARRANTY. BURNERS SHALL BE ALUMINIZED IN-SHOT TYPE. THE DRAFT MOTOR SHALL BE MONITORED BY THE CONTROL SYSTEM.
- E. CHICK-FIL-A MAINTAINS A NATIONAL ACCOUNT FOR EQUIPMENT WITH LENNOX CORPORATION. PRICING FOR THE EQUIPMENT HAS BEEN ESTABLISHED IN ADVANCE. CONTACT LENNOX NATIONAL ACCOUNTS AT 972-497-6260 (OR BY FAX AT 972-497-5112) FOR PRICING, ORDERING AND AVAILABILITY.

2.02 DUCTWORK (C15735) (SEE DWG M-301 FOR ADDITIONAL GREASE DUCT SYSTEM REQ.)

- A. ACCEPTABLE MANUFACTURERS OF INSULATION ARE MANVILLE, OWENS CORNING OR KNAUF.
- B. ALL DUCTWORK SHALL BE SHEET METAL, UNLESS NOTED OTHERWISE (U.N.O.).
- C. DUCT DIMENSIONS SHOWN ARE INSIDE CLEAR DIMENSIONS, U.N.O.
- D. CONSTRUCTION OF DUCTWORK SHALL MEET SMACNA 1" W.C. PRESSURE CLASS STANDARD AND RECOMMENDATIONS. SMACNA SHALL BE FOLLOWED WITH RESPECT TO GAGE THICKNESS, JOINTS, REINFORCING, CONSTRUCTION, INSTALLATION AND SUPPORT FOR PRESSURE CLASS STATED. ALL TRANSVERSE JOINTS IN RECTANGULAR AND ROUND DUCT INCLUDING DUCT CONNECTION TO AIR DEVICE COLLAR SHALL BE SEALED PER SMACNA SEAL CLASS C WITH U.L. DUCT MASTIC SEALANT APPROVED FOR INTENDED USE. DUCT TAPE IS NOT AN ACCEPTABLE SUBSTITUTE FOR MASTIC UNLESS EQUAL TO HARDCAST FOIL-GRIP 1402 BUTYL RUBBER ADHESIVE TAPE.
- E. DUCT SHALL BE SUPPORTED AT BASE OF DUCT DROPS. CURB DUCT RAILS ARE NOT INTENDED TO AND SHALL NOT SUPPORT THE WEIGHT OF THE DUCT.
- F. ALL DUCT INSULATION SHALL MEET MINIMUM R-VALUE REQUIRED BY ASHRAE 90.1 LATEST EDITION. ALL DUCT WRAP SHALL BE MINIMUM 2" THICK, 3/4 PCF AND 6 R-VALUE INSTALLED WITH EITHER A VAPOR BARRIER WITH MAXIMUM PERMEANCE 0.05 OR A MINIMUM 2 MIL ALUMINUM REINFORCED FOIL/KRAFT FACING.
- G. ALL DUCT DROPS FROM THE ROOFTOP UNITS SHALL BE EXTERNALLY INSULATED.
- H. SUPPLY AND RETURN AIR DUCTWORK SERVING ALL AREAS SHALL BE EXTERNALLY INSULATED.
- I. ALL AIR CONVEYANCE COMPONENTS SUCH AS, BUT NOT LIMITED TO DUCT, DUCT PLENUMS, GRILLES/DIFFUSERS, BACK PANS, AND BOOTS SHALL BE INSULATED. INSULATION TYPE IS COVERED ELSEWHERE IN THIS SPECIFICATION.
- J. RESTROOM RECTANGULAR EXHAUST AIR DUCTWORK SHALL BE LINED WITH 1" THICK, 1-1/2 PCF INSULATION. RESTROOM ROUND EXHAUST DUCT SHALL BE EXTERNALLY INSULATED PER SECTION 2.02F.
- K. TRUNK DUCTS SHALL BE ISOLATED FROM UNIT VIBRATION WITH THE USE OF NFPA AND U.L. APPROVED FLEXIBLE CONNECTORS INSTALLED AT THE TOP OF BOTH SUPPLY AND RETURN DROPS.
- L. INSULATED FLEXIBLE DUCT MAY BE UTILIZED FOR RUNOUTS TO GRILLES AND DIFFUSERS ONLY IN THE HORIZONTAL POSITION AND IN MAXIMUM LENGTHS OF 4'-0", NO EXCEPTIONS. SEE TAKE-OFF DETAIL ON DRAWING M-401.
- M. CONSTRUCTION OF FLEXIBLE DUCTWORK SHALL INCLUDE SPIRAL METAL HELIX BONDED TO A POLYESTER CORE, FIBERGLASS INSULATION WITH POLYETHYLENE OR MYLAR VAPOR BARRIER. ALL COMPONENTS SHALL HAVE APPROPRIATE U.L. APPROVAL AND SHALL BE EQUIVALENT TO THERMAFLEX MKE.
- N. FLEXIBLE DUCT SHALL BE INSTALLED PER THE "ADC FLEXIBLE DUCT PERFORMANCE AND INSTALLATION STANDARDS, 4TH ED" USING FOIL TAPE AND DRAWBAND ON THE INNER CORE AND TAPE OR DRAWBAND ON THE OUTER JACKET.
- O. DUCT TAPE SHALL BE EQUAL TO FASSON 181-B FX, 2-1/2" WIDE.
- P. SINGLE THICKNESS TURNING VANES SHALL BE INSTALLED AT 90 DEGREE TURNS IN SUPPLY DUCTWORK WHERE ANY ONE DIMENSION IS GREATER THAN 12".
- Q. RADIUSSED ELBOWS MAY BE SUBSTITUTED FOR 90 DEGREE ELBOWS AT THE DISCRETION OF THE CONTRACTOR. CENTERLINE RADIUS EQUAL TO: R=W PER FIGURE NO. 4-2 IN SMACNA HVAC DUCT CONSTRUCTION STANDARDS.
- R. EXTERNAL INSULATION ON BOTTOM OF DUCTS 24" OR WIDER SHALL BE SUPPORTED WITH STICK PINS ON 18" CENTERS. STICK PIN WASHERS SHALL BE COVERED WITH DUCT TAPE OR MASTIC.

2.03 CONTROLS (C15735)

- A. SYSTEMS SHALL BE COMPLETE WITH CONNECTIONS TO CFA-500 TEMPERATURE CONTROL PANEL AS MANUFACTURED BY SUNCOAST ENVIRONMENTAL CONTROLS (S.E.C.) (PH. 877-544-6679). THE PANEL IS PROVIDED AND MOUNTED BY THE ELECTRICAL CONTRACTOR. CONTROL WIRING TERMINATIONS ARE BY THE MECHANICAL CONTRACTOR.
- B. THE SMOKE DETECTORS SHALL BE FACTORY INSTALLED AND WIRED BY THE ROOFTOP UNIT MANUFACTURER.
- C. A FACTORY INSTALLED SMOKE DETECTOR IN THE RETURN AIR SECTION OF EACH AIR CONDITIONING UNIT SHALL STOP THE INDOOR FAN AND CLOSE THE OUTSIDE AIR DAMPER IN THE EVENT OF EXCESSIVE TEMPERATURE OR SMOKE. SMOKE DETECTOR SHALL BE LOCATED PRIOR TO ANY EXHAUST FROM THE BUILDING OR MIXING WITH FRESH AIR MAKE-UP. UPON DETECTION, THE SYSTEM SHALL NOT RESTART UNTIL THE DEVICE IS MANUALLY RESET. DEVICES SHALL BE LOCATED WHERE THEY CAN BE EASILY ACCESSED AND WHERE CLEAR OF FILTERS.
- D. CHICK-FIL-A HAS A NATIONAL ACCOUNT WITH SUNCOAST ENVIRONMENTAL CONTROLS FOR THE SMOKE DETECTOR TEST/RESET ANNUNCIATOR STATIONS. THE TEST/RESET STATIONS WILL BE PURCHASED BY THE ELECTRICAL CONTRACTOR AS A PART OF A NATIONAL ACCOUNT PACKAGE AND TURNED OVER TO THE MECHANICAL CONTRACTOR FOR INSTALLATION.
- E. THE REMOTE TEST/RESET ANNUNCIATORS SHALL BE PROVIDED BY THE ELECTRICAL CONTRACTOR AND INSTALLED BY THE MECHANICAL CONTRACTOR. INSTALLATION BY MECHANICAL CONTRACTOR SHALL INCLUDE MOUNTING OF THE ANNUNCIATORS AND ALL WIRING FROM EACH DEVICE TO THE RTU. ELECTRICAL WILL PROVIDE A JUNCTION BOX IN THE WALL WITH 1/2" CONDUIT STUBBED UP ABOVE THE CEILING FOR EACH REMOTE TEST STATION AS SHOWN ON THE ELECTRICAL PLANS. ANNUNCIATOR SHALL BE SUNCOAST CONTROLS REMOTE TEST/RESET STATION WITH POWER LED, TROUBLE LED, ALARM LED, 90DB HORN AND TEST/RESET BUTTON.
- F. THE RESTROOM FAN SHALL BE INTERLOCKED TO THE LIGHTS SERVING THE MEN AND WOMEN'S RESTROOMS. THE HOOD FANS SHALL BE CONTROLLED VIA THE SUNCOAST CFA-500 CONTROL PANEL, WIRING, RELAYS AND SWITCHES FOR CONTROL OF ALL FANS ARE BY ELECTRICAL CONTRACTOR.
- G. LENNOX UNITS - THERMOSTATS ARE PROVIDED AND INTEGRATED INTO THE TEMPERATURE CONTROL PANEL BY SUNCOAST ENVIRONMENTAL CONTROLS. SUNCOAST WILL PROVIDE A NETWORK THERMOSTAT US32-CFA THERMOSTAT PRE-WIRED IN THE TEMPERATURE CONTROL PANEL. A REMOTE TEMPERATURE SENSOR FOR EACH THERMOSTAT IS ALSO PROVIDED. MECHANICAL CONTRACTOR SHALL INSTALL ALL WIRING BETWEEN THE THERMOSTAT, THE REMOTE SENSOR AND THE ROOFTOP UNIT.
- H. MECHANICAL CONTRACTOR SHALL INSTALL CONTROL WIRING IN 1/2" CONDUIT WHERE REQUIRED BY CODE. WHERE NOT REQUIRED TO BE IN CONDUIT, ALL WIRING SHALL BE RUN PARALLEL TO STRUCTURAL MEMBERS OR PERPENDICULAR WITH NO DIAGONAL ROUTING. ALL WIRING SHALL BE SECURED TO THE FRAMING TO PREVENT SAGGING IN RUNS. WIRING TO ROOFTOP UNITS SHALL BE ROUTED THROUGH THE FACTORY THRU-BASE FITTING IN THE UNIT BASE. NO SPLICING OF WIRING WILL BE ACCEPTED. ALL WIRING ABOVE THE ROOF SHALL BE INSTALLED IN EXTERIOR GRADE FLEXIBLE CONDUIT. ALL CONTROL WIRING AND CONTROL WIRING CONDUIT SHALL BE FURNISHED AND INSTALLED BY THE MECHANICAL CONTRACTOR. WIRING SHALL BE INSTALLED IN ACCORDANCE WITH LATEST EDITION OF NEC. ALL LOW VOLTAGE CONTROL WIRING SHALL BE NO LESS THAN 18 AWG MIN. CONTROL WIRING CONDUCTORS SHALL BE SIZED TO ACCOUNT FOR LOAD AND LENGTH OF RUN TO ALLOW SUFFICIENT VOLTAGE AVAILABLE AT CONTROLLED DEVICE TO OPERATE THE SYSTEM RELIABLY.

PART III - EXECUTION

3.01 SCOPE

- A. FURNISH AND INSTALL SYSTEM IN ACCORDANCE WITH REFERENCED STANDARDS, APPLICABLE CODES, MANUFACTURER'S RECOMMENDATIONS AND AS INDICATED ON DRAWINGS.
  - B. CONTRACTOR SHALL INSTRUCT THE OWNER'S REPRESENTATIVE IN ALL MATTERS PERTAINING TO THE PROPER MAINTENANCE OF EQUIPMENT FURNISHED UNDER THIS CONTRACT THROUGH DEMONSTRATION AND EXPLANATION OF OPERATING & MAINTENANCE MANUALS.
  - C. CONTRACTOR SHALL PROVIDE A "SAMPLE MAINTENANCE PROPOSAL" TO THE OWNER'S REPRESENTATIVE IN ALL MATTERS PERTAINING TO THE PROPER MAINTENANCE OF EQUIPMENT FURNISHED UNDER THIS CONTRACT.
  - D. CONTRACTOR SHALL COMPLETE A/C EQUIPMENT STARTUP DOCUMENTATION PROVIDED BY OWNER AND/OR MANUFACTURER. THIS SHALL INCLUDE RE-TORQUE OF ALL FIELD AND FACTORY HIGH VOLATAGE CONNECTIONS.
- 3.02 LEED PROJECTS
- A. CONTRACTOR SHALL COMPLETE RECEIPT INSPECTION CHECKLISTS PROVIDED IN THE COMMISSIONING PLAN WITHIN 5 DAYS OF RECEIVING EQUIPMENT ON SITE.
  - B. CONTRACTOR SHALL COMPLETE PRE-FUNCTIONAL CHECKLISTS PROVIDED IN THE COMMISSIONING PLAN. CHECKLISTS SHALL BE RETURNED AT LEAST 5 DAYS PRIOR TO SCHEDULING FUNCTIONAL PERFORMANCE TESTING.
  - C. CONTRACTOR SHALL PROVIDE A TECHNICIAN TO ASSIST THE THIRD PARTY COMMISSIONING AUTHORITY WITH FUNCTIONAL TESTING. FUNCTIONAL TESTING SHALL OCCUR AFTER ALL CONTROLS HAVE BEEN INSTALLED AND VERIFIED AND AFTER TEST AND BALANCE IS COMPLETE. THE FUNCTIONAL PERFORMANCE TEST PROCEDURES CAN BE FOUND IN THE COMMISSIONING PLAN.
  - D. IF THE TOTAL TIME REQUIRED TO CORRECT PROBLEMS DURING TESTING IS GREATER THAN FORTY-FIVE (45) MINUTES (UNLESS EXTENUATING CIRCUMSTANCES EXIST), THE TEST SHALL BE CONSIDERED FAILED AND MUST BE REPEATED IN ITS ENTIRETY.
  - E. RE-TESTING: DURING THE COURSE OF THE RETEST, IF AT ANY POINT A MAJOR DEFICIENCY IS DISCOVERED, THE TEST WILL BE STOPPED. REPEAT TESTS UNTIL ACCEPTABLE RESULTS ARE ACHIEVED. IF MORE THAN TWO FUNCTIONAL PERFORMANCE TESTS (ONE INITIAL TEST AND ONE RETEST) FOR ANY TYPE OF EQUIPMENT DUE TO ISSUES THAT THE CONTRACTOR HAD DIRECT OR INDIRECT CONTROL OVER ARE REQUIRED, THE COSTS FOR THE CXA TO WITNESS RETESTING OF SIMILAR TYPES OF EQUIPMENT UNTIL SATISFACTORY RESULTS ARE OBTAINED SHALL BE THE RESPONSIBILITY OF THE CONTRACTOR.
- 3.03 TEST & BALANCE

- A. OWNER SHALL TEST AND BALANCE MECHANICAL SYSTEM IN ACCORDANCE WITH NEBB, NBC OR AABC STANDARDS TO ASSURE CONFORMANCE WITH DESIGN. G.C. WILL MAKE MECHANICAL CONTRACTOR AVAILABLE DURING TEST AND BALANCE TO ASSIST TESTING AGENCY AND TO MAKE CORRECTIONS IMMEDIATELY NECESSARY. CONTRACTOR SHALL CORRECT ITEMS ON WRITTEN TEST AND BALANCE REPORT.
- B. ALL EQUIPMENT TO BE BALANCED MUST HAVE GONE THRU SUCCESSFUL START-UP PROCEDURE BY THE MECHANICAL CONTRACTOR (MC) PRIOR TO TAB VISIT.
- C. THE FLOOR OF THE RESTAURANT SHALL BE CLEARED OF DEBRIS, STAGED CONSTRUCTION MATERIALS, EQUIPMENT, ETC. WHICH MAY, IN THE OPINION OF THE TAB TECHNICIAN, OBSTRUCT ACCESS TO AIR DISTRIBUTION COMPONENTS IN AND ABOVE THE CEILING.
- D. EQUIPMENT ACCESS PANELS, DUCT AIR DEVICES SUCH AS BALANCING DAMPERS AND ACTUATORS SHALL BE ACCESSIBLE AND CLEAR OF PIPING, CONDUIT, FRAMING, SUPPORTS ETC...
- E. PROVIDE AN 8 FT PORTABLE A-FRAME STYLE LADDER DEDICATED FOR THE TAB TECHNICIAN'S USE DURING THE ENTIRE TAB EFFORT DURATION.
- F. THE MC SHALL BE AVAILABLE DURING THE ENTIRE DURATION OF THE TAB EFFORT AND HAVE ON-SITE THE RESOURCES AND TOOLS TO MAKE CORRECTIONS AS NEEDED UNDER THE DIRECTION OF THE TAB TECHNICIAN.

| NATIONAL ACCOUNTS |  |
|-------------------|--|
| 1.                | LENNOX EQUIPMENT - CONTACT LENNOX NATIONAL ACCOUNTS AT 800-367-6285 (OR BY FAX AT 972-497-5112) FOR PRICING, ORDERING AND AVAILABILITY. LENNOX EQUIPMENT NOT PURCHASED THRU LENNOX NATIONAL ACCOUNTS WILL NOT BE ACCEPTED.   |
| 2.                | LOREN COOK FAN AND CURB PACKAGE - THE MECHANICAL CONTRACTOR IS REQUIRED TO PURCHASE THE FAN/CURB PACKAGE DIRECTLY FROM TOM BARROW COMPANY. CONTACT MR. SCOTT GEORGE AT 404-351-1010 FOR PRICING AND AVAILABILITY. FANS AND CURBS NOT PURCHASED THRU TOM BARROW COMPANY WILL NOT BE ACCEPTED. |
| 3.                | PRICE AIR DEVICES - THE MECHANICAL CONTRACTOR IS REQUIRED TO PURCHASE THE AIR DEVICES DIRECTLY FROM TOM BARROW COMPANY. CONTACT MR. SCOTT GEORGE AT 404-351-1010 FOR PRICING AND AVAILABILITY. AIR DEVICES NOT PURCHASED THRU TOM BARROW COMPANY WILL NOT BE ACCEPTED.                       |
| 4.                | AIR DOORS - THE MECHANICAL CONTRACTOR IS REQUIRED TO PURCHASE THE AIR DOORS DIRECTLY FROM TOM BARROW COMPANY. CONTACT MR. SCOTT GEORGE AT 404-351-1010 FOR PRICING AND AVAILABILITY. AIR DOORS NOT PURCHASED THRU TOM BARROW COMPANY WILL NOT BE ACCEPTED.                                   |
| 5.                | HALTON HOODS - CHICK-FIL-A WILL PURCHASE AND PROVIDE THE HOODS FOR INSTALLATION BY THE MECHANICAL CONTRACTOR. THE MECHANICAL CONTRACTOR SHALL BE RESPONSIBLE FOR RECEIVING THE HOODS. CONTACT HALTON CO. AT 270-237-5600 FOR MORE INFO.  |
| 6.                | ROYAL METAL PRODUCTS START COLLARS - THE MECHANICAL CONTRACTOR IS REQUIRED TO PURCHASE THE START COLLARS DIRECTLY FROM TOM BARROW COMPANY. CONTACT MR. SCOTT GEORGE AT 404-351-1010 FOR PRICING AND AVAILABILITY. START COLLARS NOT PURCHASED THRU TOM BARROW COMPANY WILL NOT BE ACCEPTED.  |
| 7.                | SCHWANK INFRARED HEATER PACKAGE - THE MECHANICAL CONTRACTOR IS REQUIRED TO PURCHASE THE HEATER PACKAGE DIRECTLY FROM TOM BARROW COMPANY. CONTACT MR. SCOTT GEORGE AT 404-351-1010 FOR PRICING AND AVAILABILITY. HEATERS NOT PURCHASED THRU TOM BARROW COMPANY WILL NOT BE ACCEPTED.          |
| 8.                | CIRCULATING FAN PACKAGE - THE MECHANICAL CONTRACTOR IS REQUIRED TO PURCHASE THE FAN PACKAGE DIRECTLY FROM TOM BARROW COMPANY. CONTACT MR. SCOTT GEORGE AT 404-351-1010 FOR PRICING AND AVAILABILITY. FANS NOT PURCHASED THRU TOM BARROW COMPANY WILL NOT BE ACCEPTED.                        |
| 9.                | BROMIC ELECTRIC HEATER PACKAGE - THE MECHANICAL CONTRACTOR IS REQUIRED TO PURCHASE THE HEATER DIRECTLY FROM BROMIC COMPANY. CONTACT BLAKE RUSSIE AT 858-381-4850 FOR PRICING AND AVAILABILITY. HEATERS NOT PURCHASED THRU BROMIC COMPANY WILL NOT BE ACCEPTED.                               |



**Chick-fil-A**  
5200 Buffington Road  
Atlanta, Georgia  
30349-2998



**Kurzynske & Associates**  
2705 Lebanon Pike - Suite One  
Nashville, Tennessee 37214  
Telephone: (615) 255-5203



**CHICK-FIL-A**  
**WARD PARKWAY FSU**  
8551 State Line Rd  
Kansas City, MO 64114

**FSR#01772**

BUILDING TYPE / SIZE: S06E-R  
RELEASE: v2.20.08  
PRINTED FOR:  
**ISSUED FOR CONSTRUCTION**

| REVISION SCHEDULE |      |             |
|-------------------|------|-------------|
| NO.               | DATE | DESCRIPTION |
|                   |      |             |

CONSULTANT PROJECT # 22117.CD.R  
DATE 11/30/22

DRAWN BY DSF  
Information contained on this drawing and all digital products for above named project may not be reproduced in any manner without express written or verbal consent from authorized project representatives.

**MECHANICAL SPECIFICATIONS**

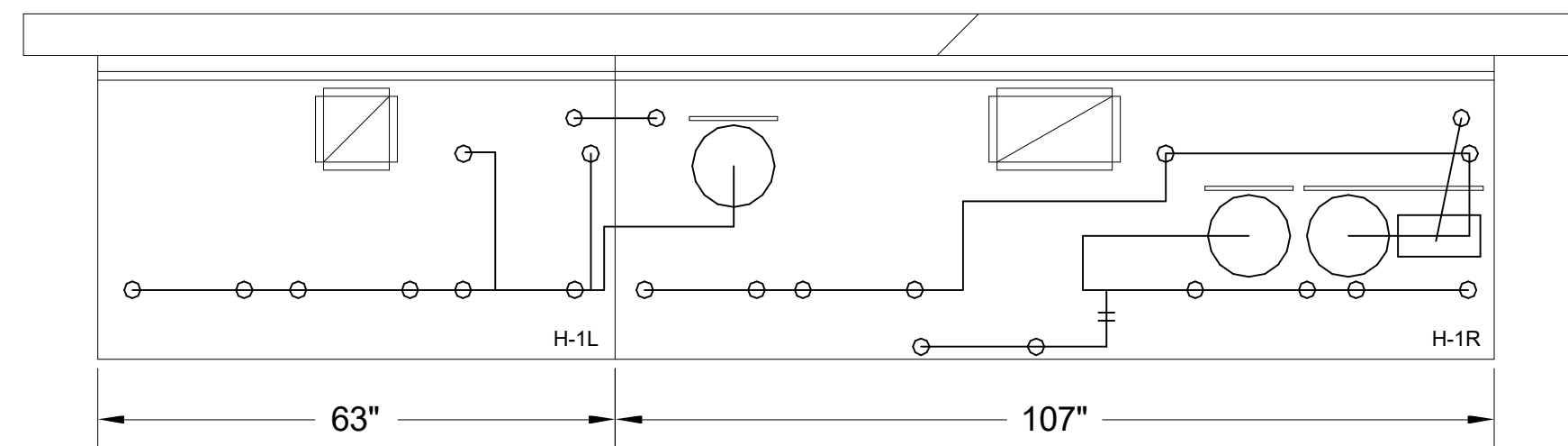
SHEET NUMBER  
**M-901**

For Construction

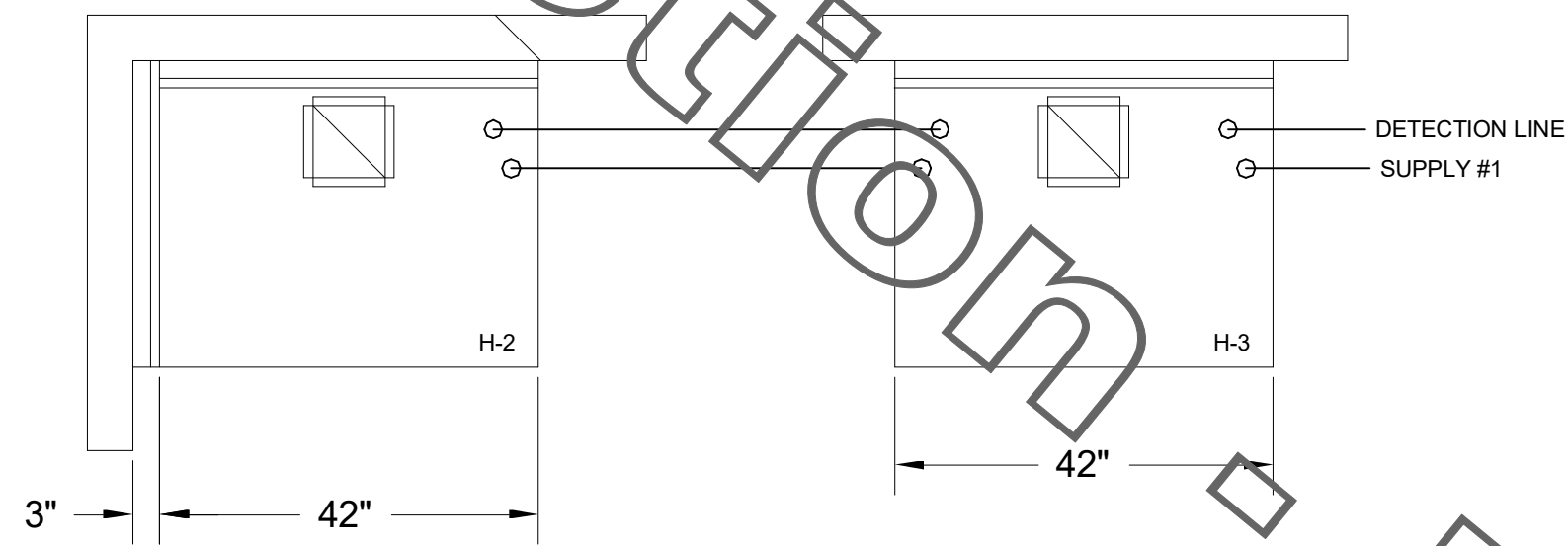
1/2" BLACK IRON SUPPLY LINE REQ'D FROM TANK TO FIRST BRANCH LINE FOR 475 TANKS ONLY!

**\*\*SHOP NOTE\*\***  
PROVIDE A QUANTITY OF TWO REMOTE PULL STATIONS FOR FIRE SYSTEM FOR HOODS H-2 & H-3. ONE PULL STATION REQUIRED FOR HOOD H-1L/R. PROVIDE A TOTAL OF THREE PULL STATIONS!!

**\*\*PROTECTS HOODS H-2 & H-3\*\***  
REMOTE MOUNTED:  
(1) SYSTEM ENCLOSURE  
(1) MECHANICAL RELEASE MODULE  
(1) 4.75 GALLON TANK



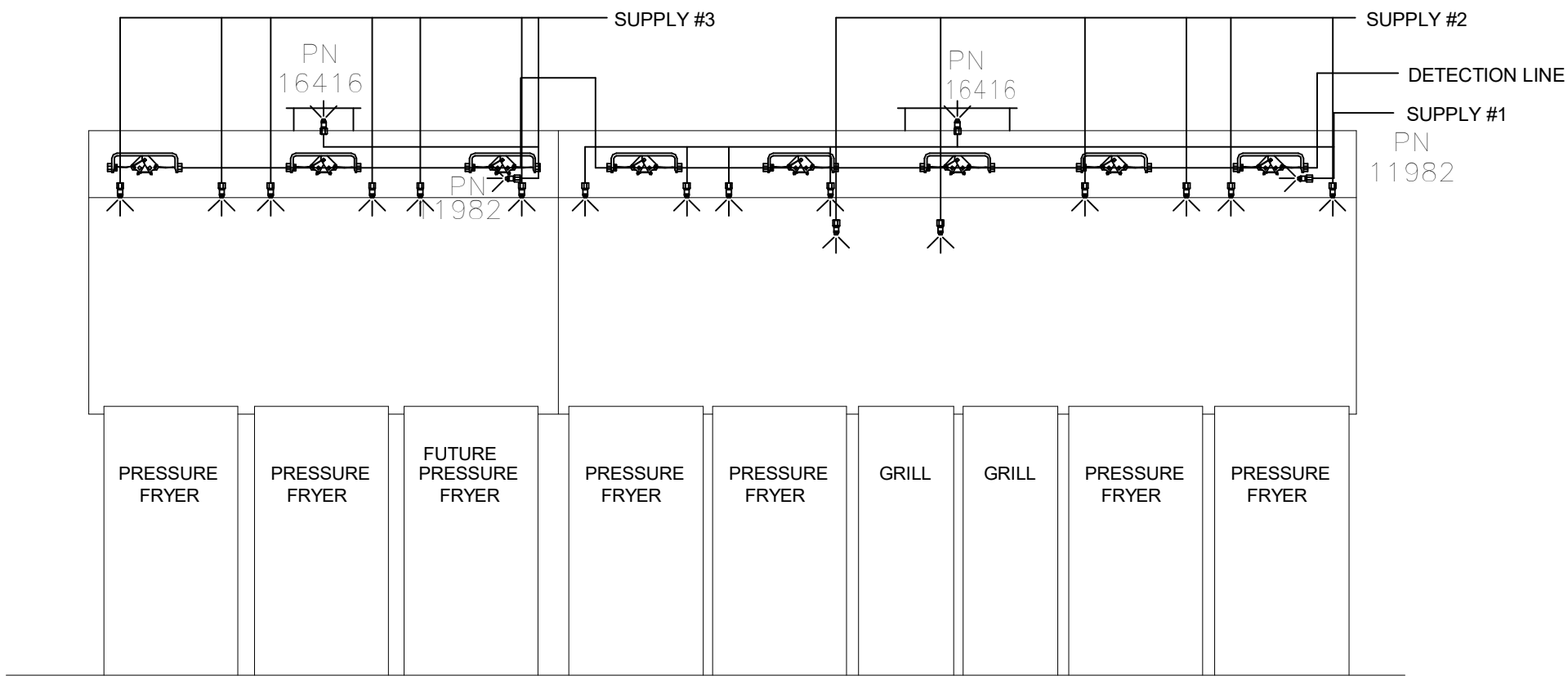
- AMEREX FIRE SYSTEM
- (1) MECHANICAL RELEASE MODULE
  - (2) EXTRA MICRO SWITCH ASSEMBLIES (MOUNTED IN MECHANICAL REL. MODULE)
  - (1) 3.75 GALLON TANK
  - (2) 4.75 GALLON TANKS
- A) (1) KP375 TANK - 11 FLOW POINTS  
(2) KP475 TANKS - 14 FLOW POINTS (MOUNTED ON HOOD H-1L & H-1R)  
B) 1/2" & 3/8" BLACK IRON PIPING W/ 3/8" S.S. APPLIANCE DROPS



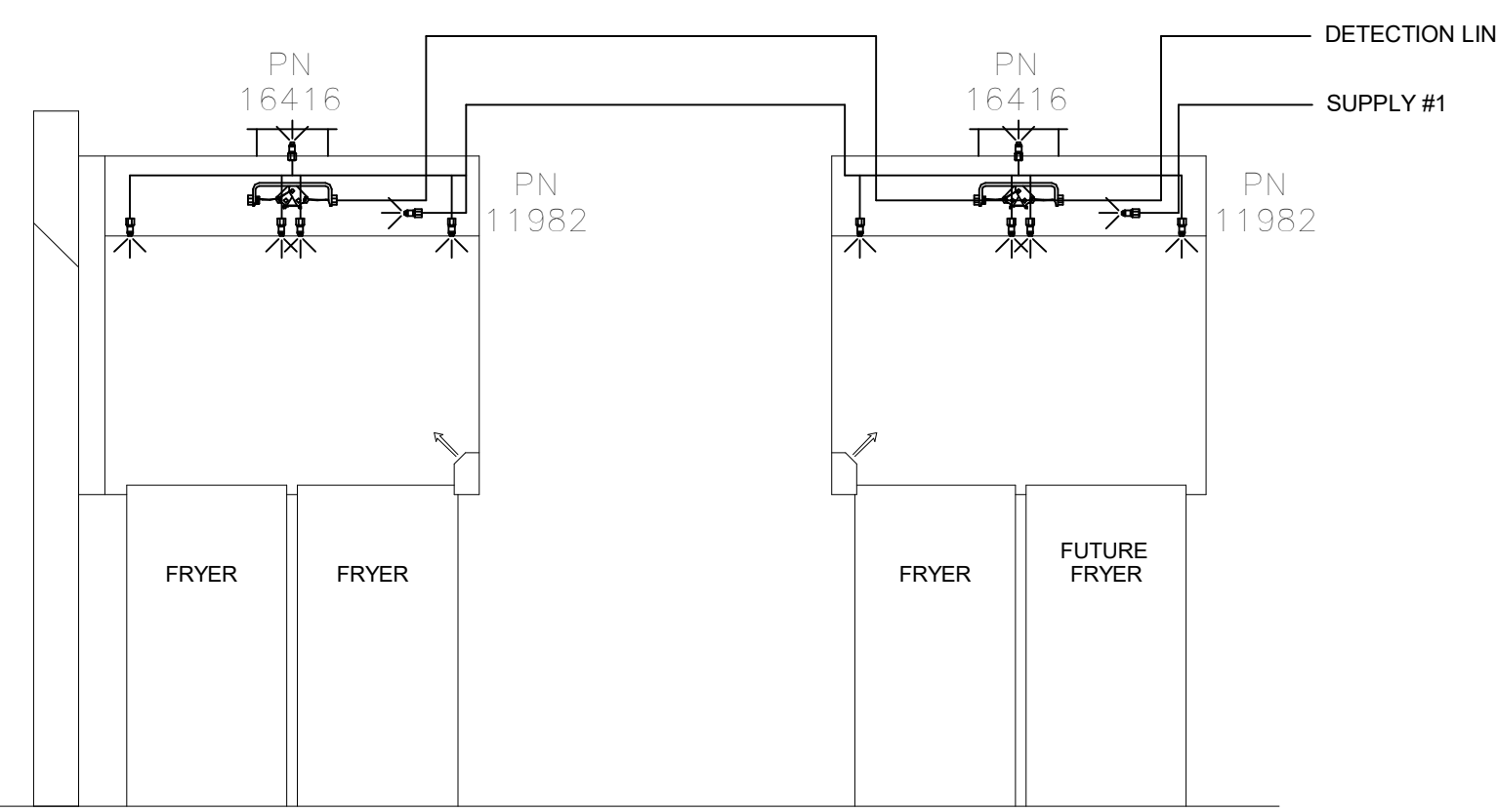
- AMEREX FIRE SYSTEM
- (1) SYSTEM ENCLOSURE
  - (1) WALL MOUNTING BRACKET
  - (1) MECHANICAL RELEASE MODULE
  - (2) EXTRA MICRO SWITCH ASSEMBLIES (MOUNTED IN MECHANICAL REL. MODULE)
  - (1) KP475 AGENT CYLINDERS (4.75 GALLON TANK)
- A) (1) KP475 TANKS - 14 FLOW POINTS (REMOTE MOUNTED)  
B) 1/2" & 3/8" BLACK IRON PIPING W/ 3/8" S.S. APPLIANCE DROPS

ALL APPLIANCE NOZZLES FOR PRESSURE FRYERS ARE PN 13729 NOZZLES W/ SWIVELS. ALL GRILL NOZZLES ARE 14178 NOZZLES W/ SWIVELS.

ALL APPLIANCE NOZZLES FOR H-2 & H-3 ARE PN 11982 NOZZLES W/ SWIVELS.



AMEREX FIRE SYSTEM LAYOUT



**FIRE EXTINGUISHER**

VIEW W/BRACKET

**AMEREX**

11238 5 LBS ABC MODEL B402 QTY \_\_\_\_\_

11239 10 LBS ABC MODEL B456 QTY \_\_\_\_\_

11240 6 LTR CLASS K MODEL C-260 QTY \_\_\_\_\_

SUPPLIED BY  
HALTON

**FUSIBLE LINK RATINGS**

| ITEM                | TEMP |
|---------------------|------|
| OPEN FRYERS         | 450° |
| 2 BURNER / FLAT TOP | 450° |
| PRESSURE FRYERS     | 450° |
| GRILL               | 450° |
| EXHAUST COLLARS     | 450° |

- AMEREX FIRE SYSTEM NOTES**
- (1) KP375 & (2) KP475 TANK SYSTEM MOUNTED ON TOP OF (H-1R)
  - MAXIMUM FLOW POINTS = 39
  - AMEREX FIRE SYSTEM NOTES
  - KP475 TANK SYSTEM REMOTE MOUNTED
  - (1) TANK
  - MAXIMUM FLOW POINTS = 14

| ITEM              | QTY | DESCRIPTION   | FLOW PTS (TOTAL) |
|-------------------|-----|---|------------------|
| 16416             | 4   | DUCT NOZZLES  | 4                |
| 11982             | 4   | PLENUM NOZZLES  | 4                |
| 11982             | 8   | APPLIANCE NOZZLES                                     | 8                |
| 14178             | 2   | APPLIANCE NOZZLES                                     | 4                |
| 13729             | 14  | APPLIANCE NOZZLES                                     | 28               |
| TOTAL FLOW POINTS |     |   | 48               |
| ITEM              | QTY | DESCRIPTION   |                  |
| 12508-P001        | 10  | DETECTORS BRACKET ASSEMBLY                            |                  |
| 13334             | 1   | KP375 AGENT CYLINDER                                  |                  |
| 17379             | 3   | KP475 AGENT CYLINDER                                  |                  |
| 18001             | 1   | MECHANICAL RELEASE MODULE W/ DOUBLE POLE MICRO SWITCH |                  |
| 25851             | 1   | SYSTEM ENCLOSURE W/ DOUBLE POLE MICRO SWITCH          |                  |
| 16990             | 1   | WALL MOUNTING BRACKET                                 |                  |
| 21491             | 3   | REMOTE MANUAL PULL STATION                            |                  |

- AMEREX FIRE SYSTEM**  
UL LISTED PER STD LATEST STD 300
1. FINAL INSTALLATION IS TO BE MADE IN ACCORDANCE WITH ALL APPLICABLE CODES
  2. ALL ELECTRICAL COMPONENTS FOR EQUIPMENT SHUT DOWN TO BE PROVIDED BY THE ELECTRICIAN. MICRO SWITCH INSTALLED IN REGULATED RELEASE BY AMEREX INSTALLER
  3. REMOTE PULL STATION LOCATED PER MECHANICAL DRAWINGS

MAIL APPROVED DRAWINGS TO APPROPRIATE FACTORY BELOW. WEBSITE: WWW.HALTONCOMPANY.COM

**CHICK-FL-A**

LOCATION: WARD PARKWAY FSU  
DRAWN BY: DATE: 11/30/22  
SCALE: NTS  
Halton Dwg: U22-987-01

SN# 01772

Sheet  
MH-102

REVISION DESCRIPTION

| REV. | DATE | BY |
|------|------|----|
| 1    |      |    |
| 2    |      |    |
| 3    |      |    |
| 4    |      |    |
| 5    |      |    |
| 6    |      |    |
| 7    |      |    |

HALTON CO. (CANADA)  
1021 BREXIK PLACE  
MISSISSAUGA, ON L4W 3R7  
1-905-624-0001

HALTON CO. (USA)  
101 INDUSTRIAL DRIVE  
SCOTTSDALE, AZ 85264  
1-202-237-5800

APPROVED BY: \_\_\_\_\_

DATE: \_\_\_\_\_

WITH CHANGES AS NOTED

UL LISTED  
NSI  
ETL  
SFA

AMEREX  
UL LISTED

HALTON  
CARE FOR INDOOR AIR