

idGROUP

2641 IRVING BLVD. DALLAS, TEXAS 75207 TEL: 214-638-6800 FAX: 214-689-0301

PRELIMINARY THIS DOCUMENT IS RELEASED FOR THE PURPOSES OF DESIGN DEVELOPMENT UNDER THE AUTHORITY OF: TODD M. JOHNSON, P.E. 86995 RELEASED ON APRIL 7, 2020. IT IS NOT TO BE USED FOR BIDDING, PERMIT & CONSTRUCTION, ETC.

PROJECT NO.: 580-005 DRAWN BY: PMI CHECKED BY: PMI R.S.F.: 12.348

\\sll\A-McGuire\Bldg\402\COPY\403\403-0504.rvt

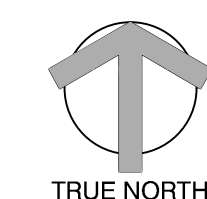
3401 OLYMPUS GOOSEHEAD INSURANCE

3401 OLYMPUS BLVD. SUITE #440 DALLAS, TX 75019

Table with 3 columns: NO., ISSUED FOR, DATE. Contains a grid for tracking revisions.

LANDLORD/CLIENT REVIEW ISSUE DATE: XXXX/20 BID ISSUE DATE: XXXX/20 CONSTRUCTION ISSUE DATE: XXXX/20

Purdy - McGuire Mechanical - Electrical Engineers 17300 North Dallas Parkway Suite 3000 Dallas, Texas 75248-1147 Firm Registration # F-1511 Tel: 972/239-5357 Fax: 972/239-5231 www.purdy-mcguire.com



© 2007 PMI JOB NO. 20039.003 PROJECT MGR. TODD JOHNSON THIS DRAWING SHALL NOT BE REPRODUCED FOR ANY PROJECT OTHER THAN THE PROJECT NOTED IN THE TITLE BLOCK, WITHOUT THE WRITTEN CONSENT OF PURDY-McGUIRE, INC. DALLAS, TX

DRAWING TITLE: MECHANICAL NOTES & SYMBOLS

DRAWING NUMBER:

M0.01

© 2020 idGROUP, LLC.

GENERAL NOTES:

- A. ALL WORK SHALL COMPLY WITH APPLICABLE NATIONAL, STATE AND LOCAL CODES, RULES, REGULATIONS AND REQUIREMENTS.
B. ALL WORK SHALL COMPLY WITH THE BUILDING TENANT CONSTRUCTION GUIDE. COORDINATE WITH BUILDING MANAGEMENT/OWNER FOR ACCESS TO ANY TENANT LEASE SPACES THAT MIGHT BE REQUIRED FOR THE INSTALLATION. . UNLESS DIRECTED BY LANDLORD ALL EQUIPMENT AND WORKMANSHIP SHALL BE GUARANTEED FOR 1 YEAR.
C. EXISTING CONDITIONS ARE BASED ON INFORMATION PROVIDED BY SITE SURVEY AND PREVIOUS RECORD DRAWINGS. HOWEVER, IT IS NOT INTENDED TO BE A TRUE REPRESENTATION OF ACTUAL CONDITIONS. CONTRACTOR SHALL VISIT JOB SITE PRIOR TO BIDDING TO ASCERTAIN EXISTING CONDITIONS AND SHALL NOTIFY ARCHITECT OF ANY DISCREPANCIES PRIOR TO BID.
D. CONTRACTOR SHALL ENGAGE AN INDEPENDENT AIR BALANCING COMPANY TO OBTAIN AIR QUANTITIES SHOWN ON DRAWING. AT COMPLETION OF AIR BALANCE, BALANCING DAMPER SHALL BE TIGHTENED AND PROPERLY SEALED WITH FOIL TAPE.
E. ALL MEDIUM AND LOW PRESSURE DUCTWORK SHALL BE GALVANIZED SHEET METAL, FABRICATED, INSTALL AND SEAL MEDIUM PRESSURE DUCTWORK FOR 3"W.G. AND LOW PRESSURE DUCTWORK FOR 1"W.G. IN ACCORDANCE WITH SMACNA STANDARD. DUCTWORK SHALL BE INSULATED WITH FIBERGLASS BLANKET WITH FOIL FACED VAPOR BARRIER TO MEET IECC REQUIREMENT (MIN R5 VALUE).
F. ALL SUPPLY AND RETURN DUCT SIZES ARE FREE AREAS.
G. INDIVIDUAL DUCT RUN-OUTS TO EACH DIFFUSER SHALL BE SIZED IN ACCORDANCE TO THE DIFFUSER NECK SIZE FOUND IN THE GRILLES-REGISTERS-DIFFUSERS SCHEDULE UNLESS NOTED OTHERWISE
H. OFFSET DUCTS INTO JOIST SPACE FOR CLEARANCE WHERE SPACE ABOVE CEILING IS NOT SUFFICIENT FOR DUCTS TO CROSS OTHER DUCTS OR WORK OF OTHER TRADES.
I. INSULATED FLEX DUCT IN THE LOW PRESSURE SYSTEM SHALL BE LIMITED TO AN OVERALL LENGTH OF SIX (6) FEET WITH A MAXIMUM OF A 90 DEGREE CHANGE IN DIRECTION. SUPPORTS SHALL BE SADDLE BANDED TO STRUCTURE. SUPPORTING FROM FIRE PROTECTION PIPING, ELECTRICAL CONDUIT OR CEILING SUPPORT WIRES IS NOT ACCEPTABLE.
J. ENSURE NEC CLEARANCES ARE MAINTAINED INCLUDING 36" IN FRONT OF 0-208V POWER AND 42" IN FRONT OF 277/480V POWER.
K. ALL ENCLOSED ROOMS (INTERIOR AND PERIMETER) SHALL HAVE RETURN AIR PATH. ROOMS WITH ALL WALLS TO DECK SHALL HAVE LINED SHEET METAL RETURN AIR BOOTS PLACED IN WALL ABOVE CEILING SIZED FOR 500 FPM MAXIMUM. FIRE RATED WALLS SHALL HAVE FIRE DAMPERS WITHIN THE DUCT PER LOCAL CODE REQUIREMENTS. FIRE DAMPERS AND FIRE-SMOKE DAMPERS SHALL BE FREE AREA/OUT OF AIRSTREAM TYPE. ALL MOTORIZED DAMPERS SHALL BE FREE AREA/OUT OF AIRSTREAM TYPE.
L. PIPES AND DUCTS TO BE COORDINATED ON JOB WITH BUILDING STRUCTURE AND WORK OF OTHER CONTRACTORS. ROUTE AS HIGH AS PHYSICALLY POSSIBLE.
M. COORDINATE CEILING DIFFUSERS AND GRILLES WITH LIGHTING FIXTURES. REFER TO ARCHITECTURAL REFLECTED CEILING PLAN.
N. THERMOSTATS TO BE MOUNTED 48" ABOVE FINISHED FLOOR LEVEL UNLESS NOTED OTHERWISE ON THE PLANS. CONTRACTOR SHALL COORDINATE LOCATION OF THERMOSTATS WITH ARCHITECT IN FIELD
O. REPAIR AND PATCH CONSTRUCTION DAMAGED DUE TO THE DEMOLITION OF THIS PROJECT, USING SAME METHODS AND MATERIALS TO MATCH EXISTING.
P. EVAPORATORS SHALL HAVE A PRIMARY INSULATED CONDENSATE DRAIN LINE SLOPED 1/8"/FT, EXTENDED TO NEAREST FLOOR DRAIN IN MECHANICAL ROOM OR MOP SINK. GALVANIZED SHEET METAL SECONDARY DRAIN PANS SHALL HAVE LEAK DETECTION TAPE IN PAN AND ROUTE THE PAN'S INSULATED CONDENSATE DRAIN LINE SLOPED 1/8"/FT NEXT TO BUT INDEPENDENT OF PRIMARY DRAIN LINES.
Q. PROVIDE TEMPORARY HIGH EFFICIENCY FILTER MEDIA ON MAIN RETURN AIR AND EXHAUST FROM FLOOR AT BEGINNING OF PROJECT AND REPLACED AT TWO (2) WEEK INTERVALS UNTIL PROJECT COMPLETION AT WHICH TIME THE FILTER MEDIA SHALL BE REMOVED.
R. FLEXIBLE DUCTS SHALL BE SIMILAR AND EQUAL TO THERMOFLEX: TYPE M-KE. FLEXIBLE DUCTS SHALL COMPLY WITH APPLICABLE REQUIREMENTS OF UL-181, NFPA 90-A AND OTHER GOVERNING AUTHORITIES.
S. FLEXIBLE DUCT BETWEEN DUCT AND AC UNITS AND EXHAUST FANS SHALL BE EQUAL TO VENTFABRICS "VENTGLAS".
T. AIR CONDITIONING COOLING CONDENSATE PIPING TO BE ONE-HALF INCH THICK ARMAFLEX. FITTINGS SHALL BE PRE-MOLDED OF THE SAME MATERIAL. INSTALLATION SHALL BE IN ACCORDANCE WITH MANUFACTURER'S INSTRUCTIONS.
U. DUCTLINER SHALL BE 1-INCH ACOUSTICAL DUCT LINING IN ACCORDANCE WITH SMACNA STANDARDS. DUCT LINING SHALL BE OWENS-CORNING FIBERGLAS "AEROFLEX" NO. 200 OR EQUAL.
V. ALL EXISTING DUCTWORK SHALL BE FIELD VERIFIED TO BE INSULATED AND IN GOOD CONDITION, ANY TORN, DAMAGED OR MISSING INSULATION WILL BE REPLACED. EXISTING CONTROLS SHALL BE CONFIRMED TO BE IN WORKING CONDITION.

DX COMPUTER ROOM AIR CONDITIONING

Table with columns for INDOOR EVAPORATOR UNIT and OUTDOOR CONDENSING UNIT @ 105 DEF F AMBIENT. Includes sub-columns for COOLING, ELECTRIC, and ELECTRICAL.

- NOTES:
1) REFER TO SPECIFICATIONS FOR ADDITIONAL REQUIREMENTS.
2) PROVIDE CONDENSATE PUMP EQUAL TO LITTLE GIANT MODEL EC-OP-K
3) ROUTE CONDENSATE PIPIN, COPPER TYPE K, TO NEAREST MOP SINK VIA APPROVED AIR GAP.
4) POWER TO BE CONNECTED AT A SINGLE POINT CONNECTION AT CONDENSING UNIT ON ROOF.
5) APPROVED MANUFACTURER'S ARE: MITSUBISHI, SAMSUNG, CARRIER, DAIKIN, TRANE AND LG.
6) ALL SUBSTITUTIONS SHALL BE APPROVED IN WRITING PRIOR TO BID.

GRILLES - REGISTERS - DIFFUSERS

Table with columns: DESIG., DUTY, TYPE, MOUNTING LOCATION, MATERIAL, VOLUME CONTROL, FINISH, AIR PATTERN CONTROL, METHOD OF SUPPORT, EQUAL TO MANUFACTURER AND MODEL NO., REMARKS.

- NOTES:
1) NECK SIZES AS FOLLOWS:
DESIGNATION "A" CFM RANGE NECK SIZE DESIGNATION "C" CFM RANGE NECK SIZE LENGTH
000-300 8"RD 000-195 8"RD 2'-0"
305-435 10"RD 200-2680 8"RD 4'-0"
440-600 12"RD 000-220 10"RD 2'-0"
600-745 14"RD 225-320 10"RD 4'-0"
2) NOTIFY ENGINEER OF ANY DISCREPANCIES BETWEEN NEW MODEL NUMBER AND EXISTING NUMBER PRIOR TO PURCHASE.
3) COORDINATE NEW INACTIVE SECTIONS NEXT TO SLOT DIFFUSER WITH ARCHITECT PRIOR TO BIDDING.
4) REFER TO DRAWINGS FOR GRILLE/NECK SIZES.
5) INACTIVE SECTIONS OF SLOT DIFFUSERS SHALL HAVE SHEET METAL LIGHTPROOF SIGHT GUARDS AND SHALL BE USED FOR RETURN AIR.
6) CONTINUOUS GRILLE; PROVIDE REQUIRED MP-39 PLENUMS AS NEEDED.
7) LEAVE OPEN FOR RETURN AIR AND PROVIDE A LIGHT SHIELD. COORDINATE EXACT LENGTH OF SLOT WITH ARCHITECT. COORDINATE BORDER TYPE WITH ARCHITECT
8) PROVIDE WITH PF-TBD SLOT MOUNTING FRAME FOR INSTALLATION IN SHEETROCK CEILINGS.
9) APPROVED MANUFACTURERS: PRICE, TITUS, NAILOR, & KRUEGER.

VRF DX - FAN COIL UNIT

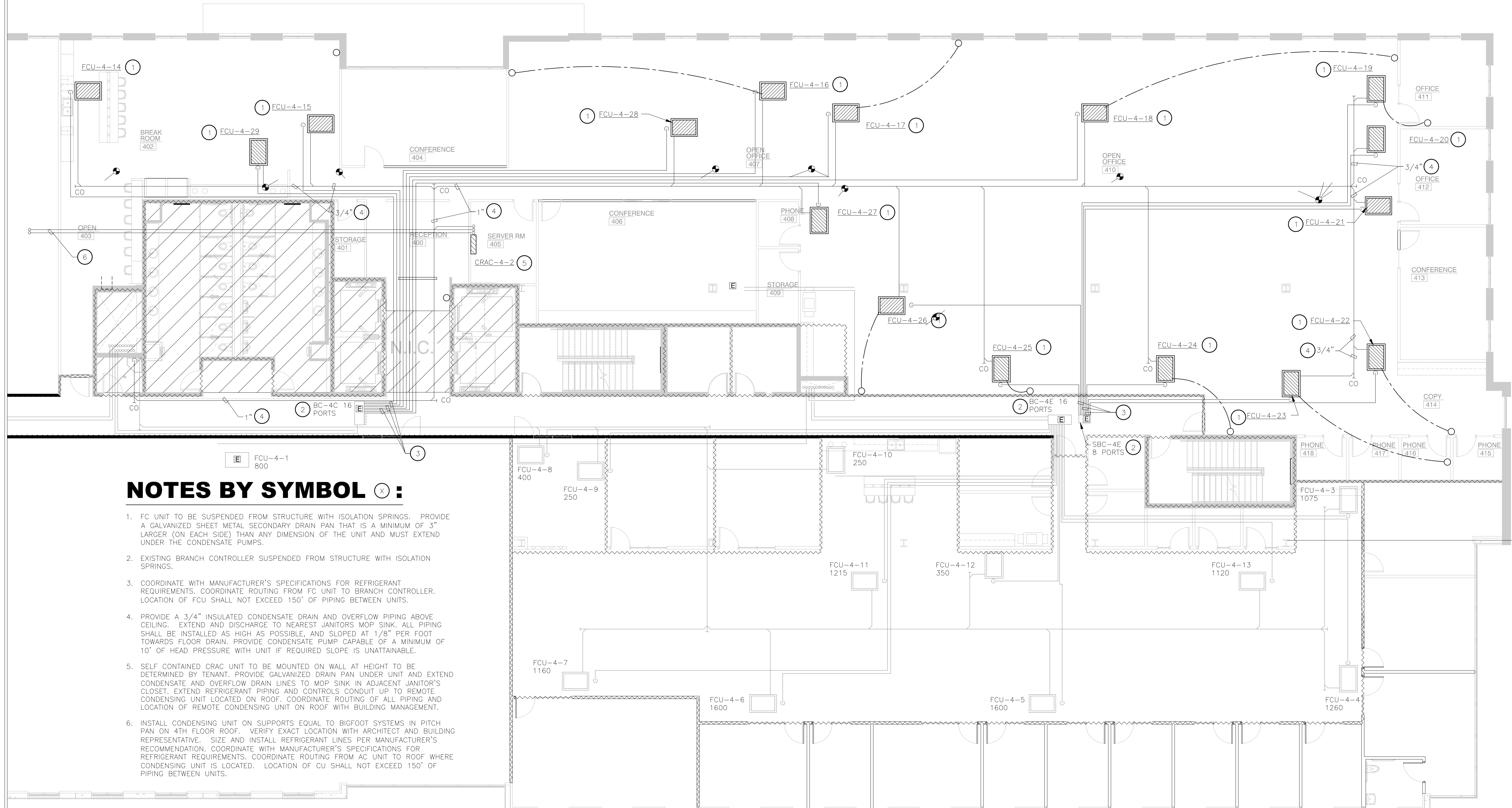
Table with columns: DESIG., SERVES, DESIGN COOLING CFM, OUTSIDE AIR CFM, NOMINAL COOLING CAPACITY BTUH, NOMINAL HEATING CAPACITY, VOLTAGE, HERTZ, MCA, MOCP, EQUAL TO MANUFACTURER, MODEL NO.

- NOTES:
1) NOMINAL COOLING CAPACITIES ARE BASED ON INDOOR COIL EAT OF 80/67 F (DB/WB), OUTDOOR OF 95 DEGREES F (DB).
2) NOMINAL HEATING CAPACITIES ARE BASED ON INDOOR COIL EAT OF 70 DEGREES F (DB), OUTDOOR OF 43 DEGREES F (WB)
3) SEE OUTDOOR UNIT SCHEDULE FOR OUTDOOR AMBIENT CONDITIONS, CONNECTED CAPACITY, AND OTHER FACTORS ASSOCIATED WITH CORRECTED CAPACITIES.
4) FULL DEMAND CORRECTED CAPACITY INCLUDES DE-RATE ASSOCIATED WITH INDOOR VS OUTDOOR CONNECTED CAPACITY INDICATED ON OUTDOOR UNIT SCHEDULE FOR ASSOCIATED SYSTEM. PARTIAL CORRECTED CAPACITY ASSUMES SUFFICIENT DIVERSITY EXISTS SUCH THAT THE CONNECTED CAPACITY DE-RATE
5) REFER TO SEQUENCE OF OPERATION FOR VRF CONTROLS AND CONNECTION TO BMS.
6) APPROVED MANUFACTURER'S ARE: MITSUBISHI, SAMSUNG, CARRIER, DAIKIN, TRANE AND LG.

HVAC SYMBOLS

Table with columns: SYMBOL, DESCRIPTION. Lists various HVAC symbols and their corresponding descriptions.

SUITE 440
GOOSEHEAD INSURANCE



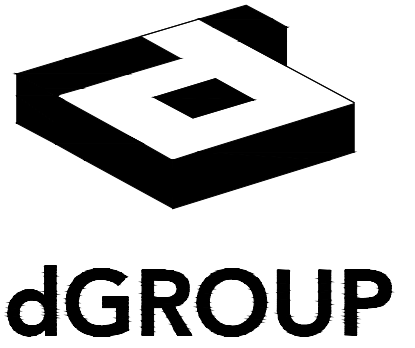
NOTES BY SYMBOL (X) :

1. FC UNIT TO BE SUSPENDED FROM STRUCTURE WITH ISOLATION SPRINGS. PROVIDE A GALVANIZED SHEET METAL SECONDARY DRAIN PAN THAT IS A MINIMUM OF 3" LARGER (ON EACH SIDE) THAN ANY DIMENSION OF THE UNIT AND MUST EXTEND UNDER THE CONDENSATE PUMPS.
2. EXISTING BRANCH CONTROLLER SUSPENDED FROM STRUCTURE WITH ISOLATION SPRINGS.
3. COORDINATE WITH MANUFACTURER'S SPECIFICATIONS FOR REFRIGERANT REQUIREMENTS. COORDINATE ROUTING FROM FC UNIT TO BRANCH CONTROLLER. LOCATION OF FCU SHALL NOT EXCEED 150' OF PIPING BETWEEN UNITS.
4. PROVIDE A 3/4" INSULATED CONDENSATE DRAIN AND OVERFLOW PIPING ABOVE CEILING. EXTEND AND DISCHARGE TO NEAREST JANITORS MOP SINK. ALL PIPING SHALL BE INSTALLED AS HIGH AS POSSIBLE, AND SLOPED AT 1/8" PER FOOT TOWARDS FLOOR DRAIN. PROVIDE CONDENSATE PUMP CAPABLE OF A MINIMUM OF 10' OF HEAD PRESSURE WITH UNIT IF REQUIRED SLOPE IS UNATTAINABLE.
5. SELF CONTAINED CRAC UNIT TO BE MOUNTED ON WALL AT HEIGHT TO BE DETERMINED BY TENANT. PROVIDE GALVANIZED DRAIN PAN UNDER UNIT AND EXTEND CONDENSATE AND OVERFLOW DRAIN LINES TO MOP SINK IN ADJACENT JANITOR'S CLOSET. EXTEND REFRIGERANT PIPING AND CONTROLS CONDUIT UP TO REMOTE CONDENSING UNIT LOCATED ON ROOF. COORDINATE ROUTING OF ALL PIPING AND LOCATION OF REMOTE CONDENSING UNIT ON ROOF WITH BUILDING MANAGEMENT.
6. INSTALL CONDENSING UNIT ON SUPPORTS EQUAL TO BIGFOOT SYSTEMS IN PITCH PAN ON 4TH FLOOR ROOF. VERIFY EXACT LOCATION WITH ARCHITECT AND BUILDING REPRESENTATIVE. SIZE AND INSTALL REFRIGERANT LINES PER MANUFACTURER'S RECOMMENDATION. COORDINATE WITH MANUFACTURER'S SPECIFICATIONS FOR REFRIGERANT REQUIREMENTS. COORDINATE ROUTING FROM AC UNIT TO ROOF WHERE CONDENSING UNIT IS LOCATED. LOCATION OF CU SHALL NOT EXCEED 150' OF PIPING BETWEEN UNITS.

REFER TO SHEET M00.01
FOR GENERAL NOTES,
SCHEDULES AND SYMBOLS.

SUITE 450
ARTISAN DESIGN GROUP

1 LEVEL 04 MECHANICAL PLAN
SCALE: 1/8"=1'-0"



2641 IRVING BLVD.
DALLAS, TEXAS 75207
TEL: 214-638-6800 FAX: 214-689-0301

PRELIMINARY
THIS DOCUMENT IS RELEASED FOR THE PURPOSES OF DESIGN DEVELOPMENT UNDER THE AUTHORITY OF: TODD M. JOHNSON, P.E. 85995 RELEASED ON APRIL 7, 2020. IT IS NOT TO BE USED FOR BIDDING, PERMIT & CONSTRUCTION, ETC.

PROJECT NO: 580-005
DRAWN BY: PMI
CHECKED BY: PMI
R.S.F.: 12.348

3401 OLYMPUS
GOOSEHEAD INSURANCE

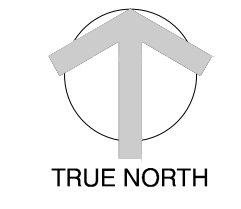
3401 OLYMPUS BLVD.
SUITE #440
DALLAS, TX 75019

NO.	ISSUED FOR:	DATE:

LANDLORD/CLIENT REVIEW ISSUE DATE: XXXX/20
BID ISSUE DATE: XXXX/20
CONSTRUCTION ISSUE DATE: XXXX/20

Purdy - McGuire
Mechanical - Electrical Engineers
17300 North Dallas Parkway
Suite 3000 Dallas, Texas 75248-1147
Firm Registration # F-1511
Tel: 972/239-5357
Fax: 972/239-5231
www.purdy-mcguire.com

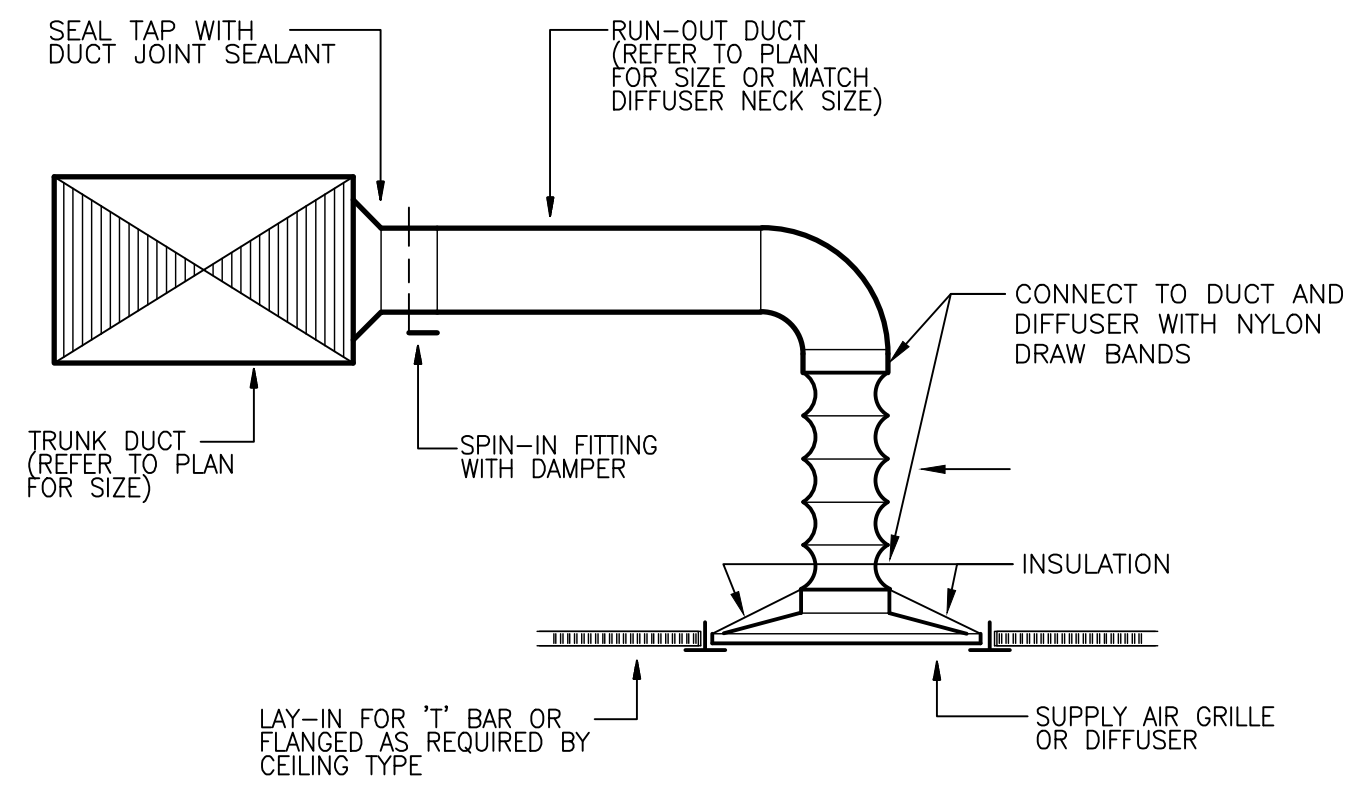
© 2007
PMI JOB NO. 20039.003
PROJECT MGR. TODD JOHNSON
THIS DRAWING SHALL NOT BE REPRODUCED FOR ANY PROJECT OTHER THAN THE PROJECT NOTED IN THE TITLE BLOCK, WITHOUT THE WRITTEN CONSENT OF PURDY-McGUIRE, INC. DALLAS, TX



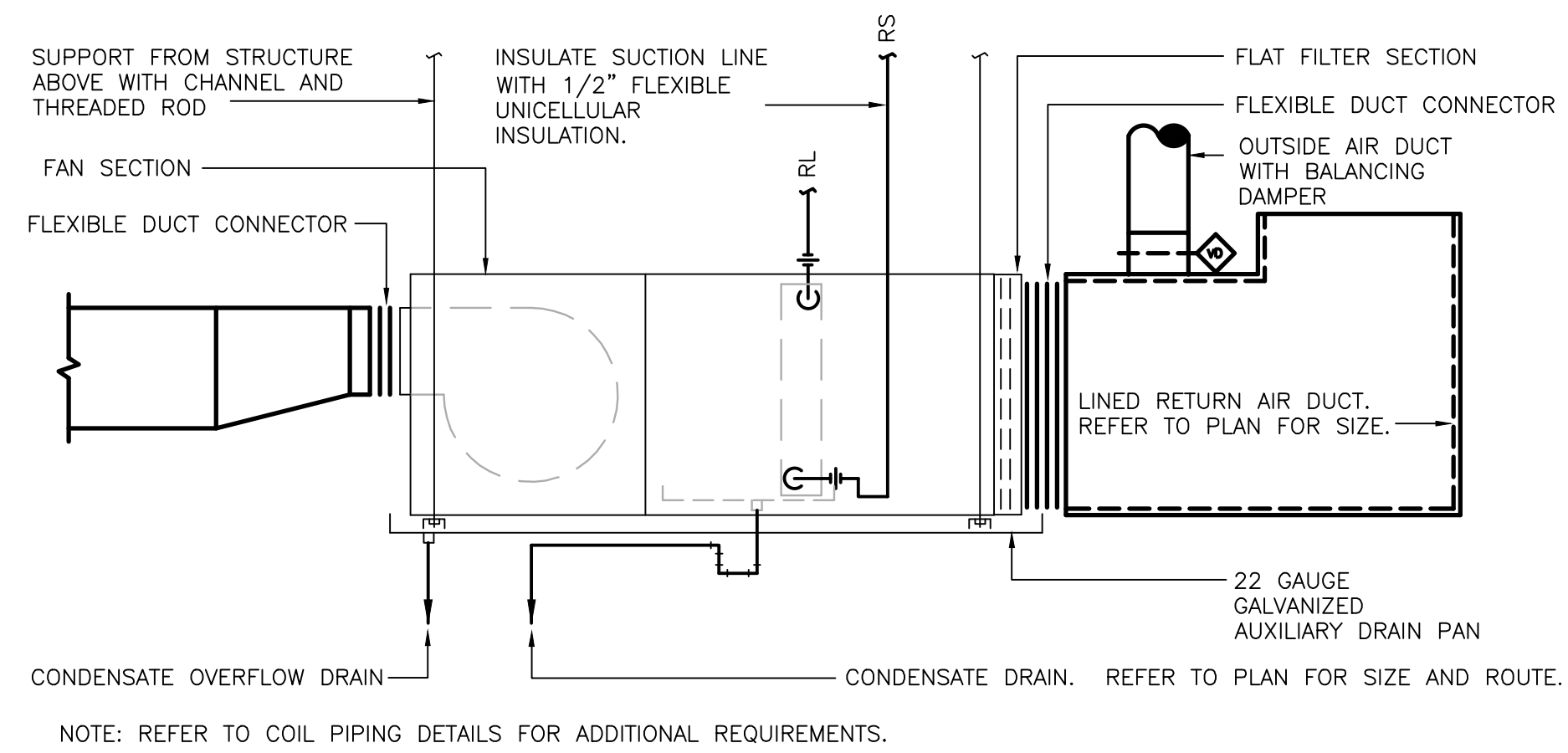
DRAWING TITLE:
LEVEL 04 MECHANICAL REFRIGERANT PIPING PLAN

DRAWING NUMBER:

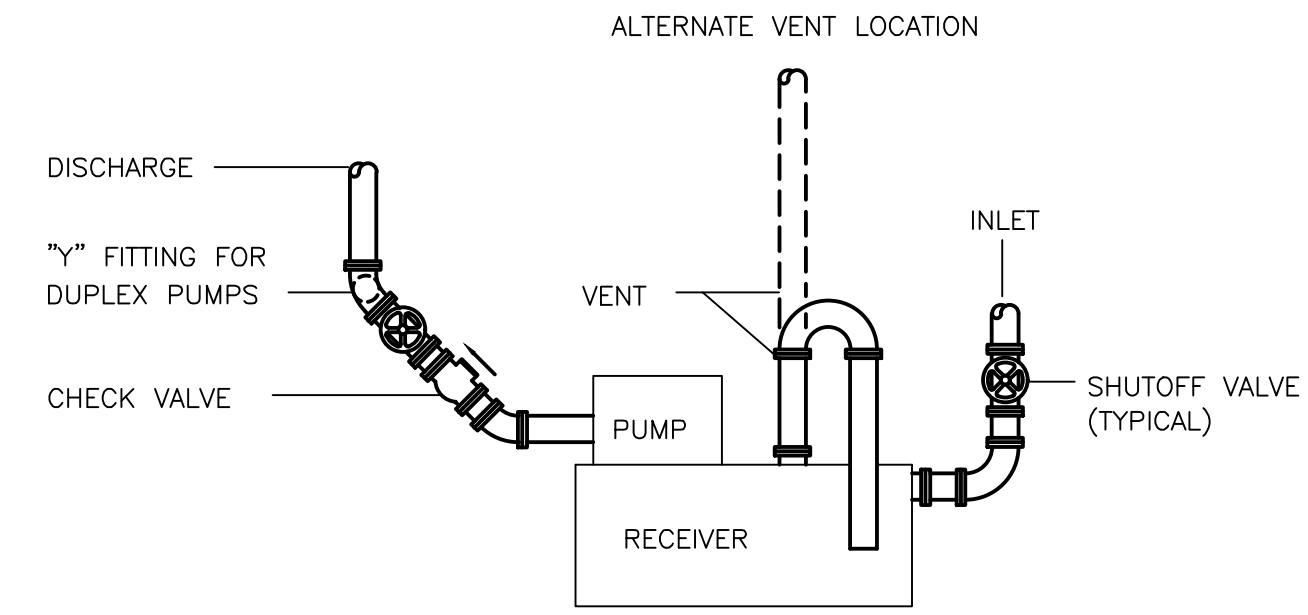
M2.14



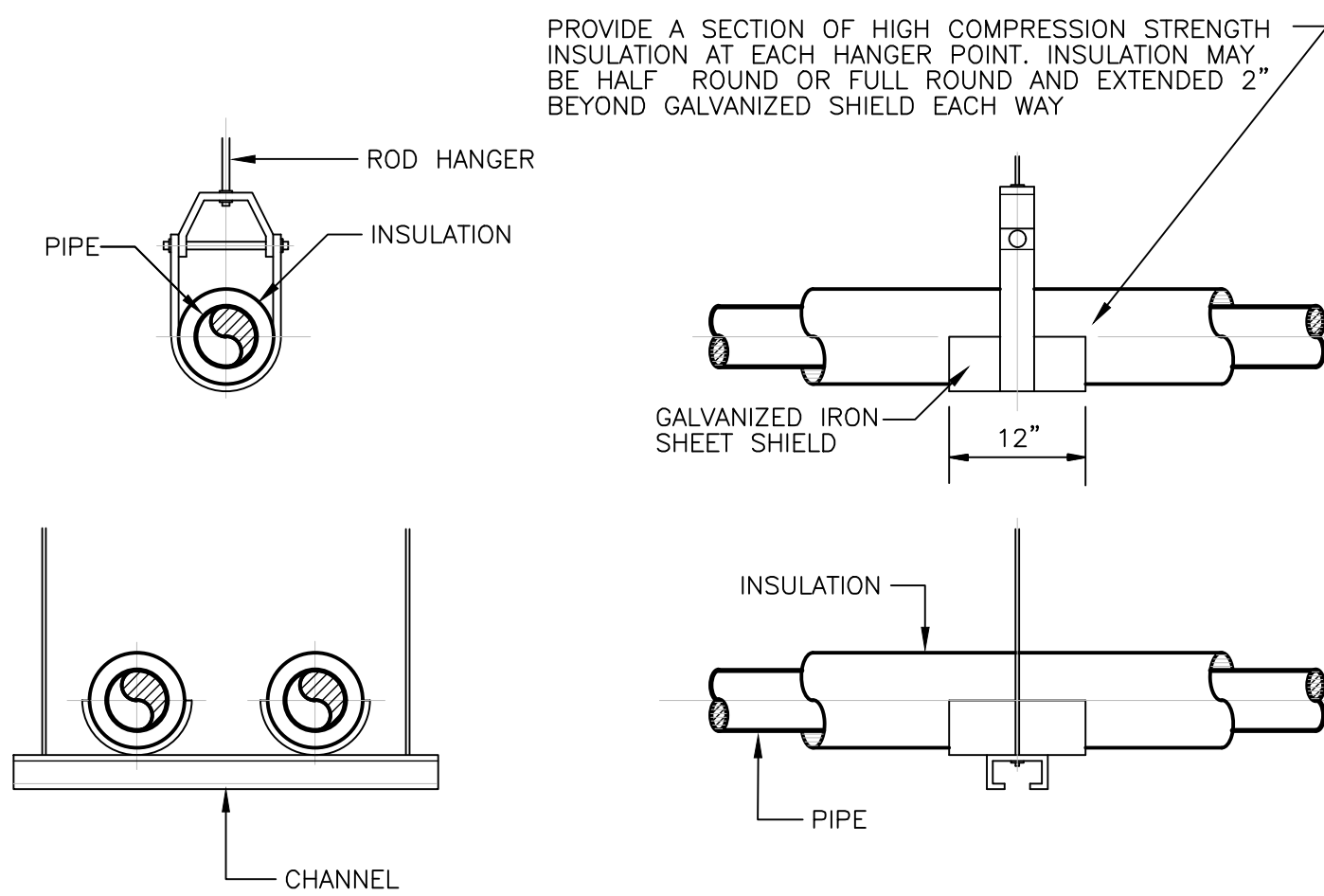
1 DIFFUSER CONNECTION DETAIL
SCALE: NOT TO SCALE



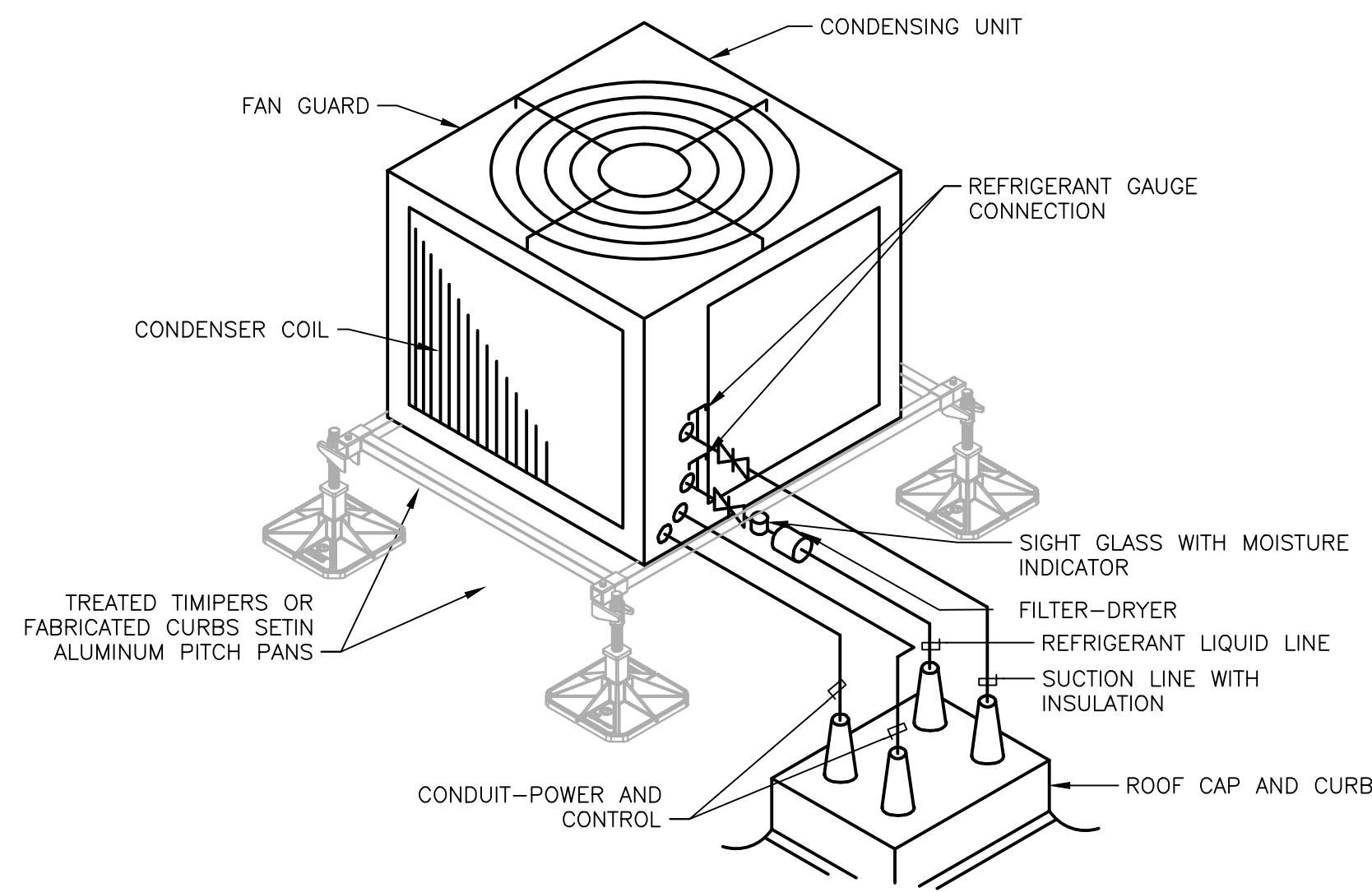
2 VFR UNIT INSTALLATION DETAILS
SCALE: NOT TO SCALE



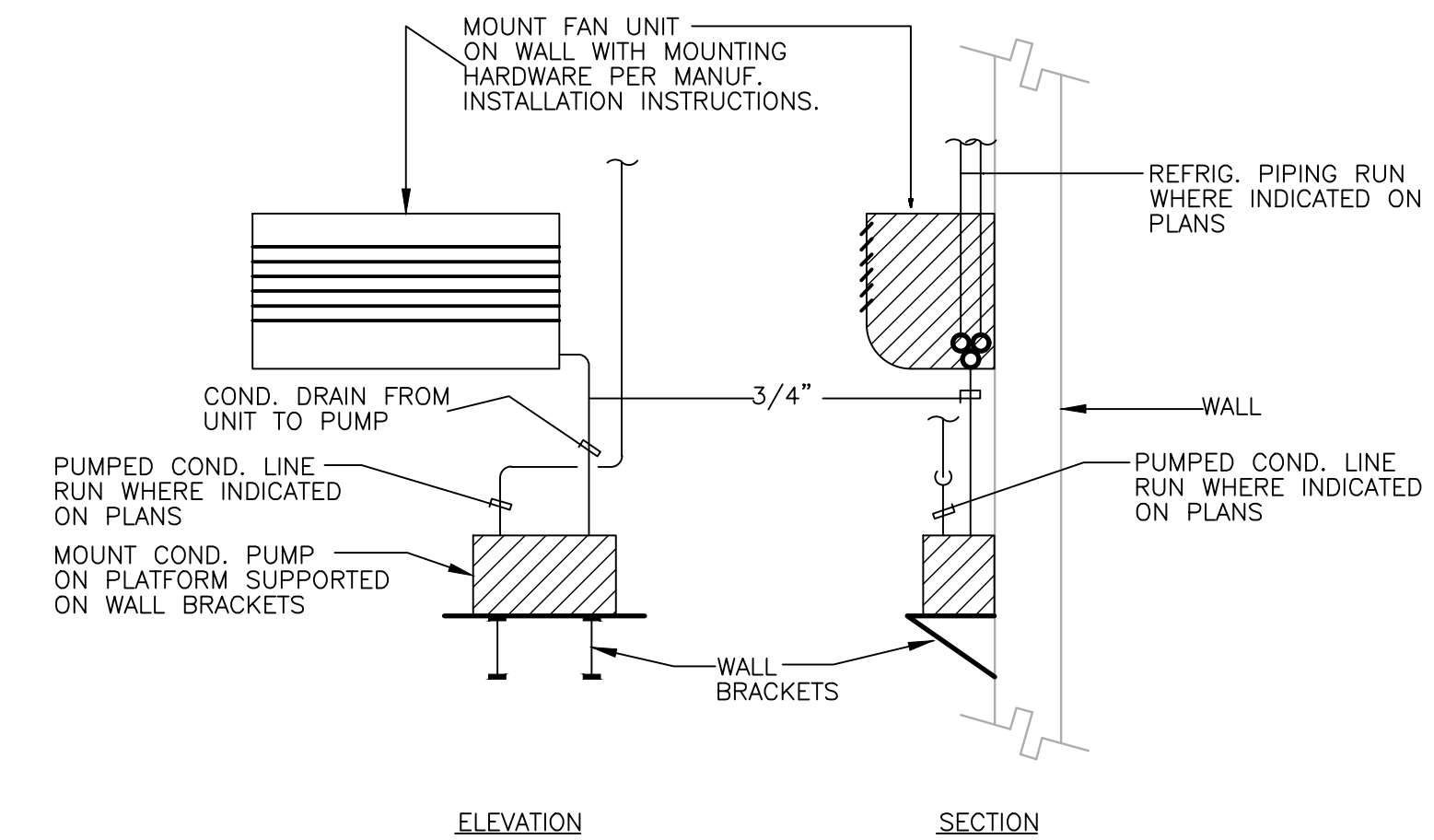
3 CONDENSATE PUMP DETAIL
SCALE: NOT TO SCALE



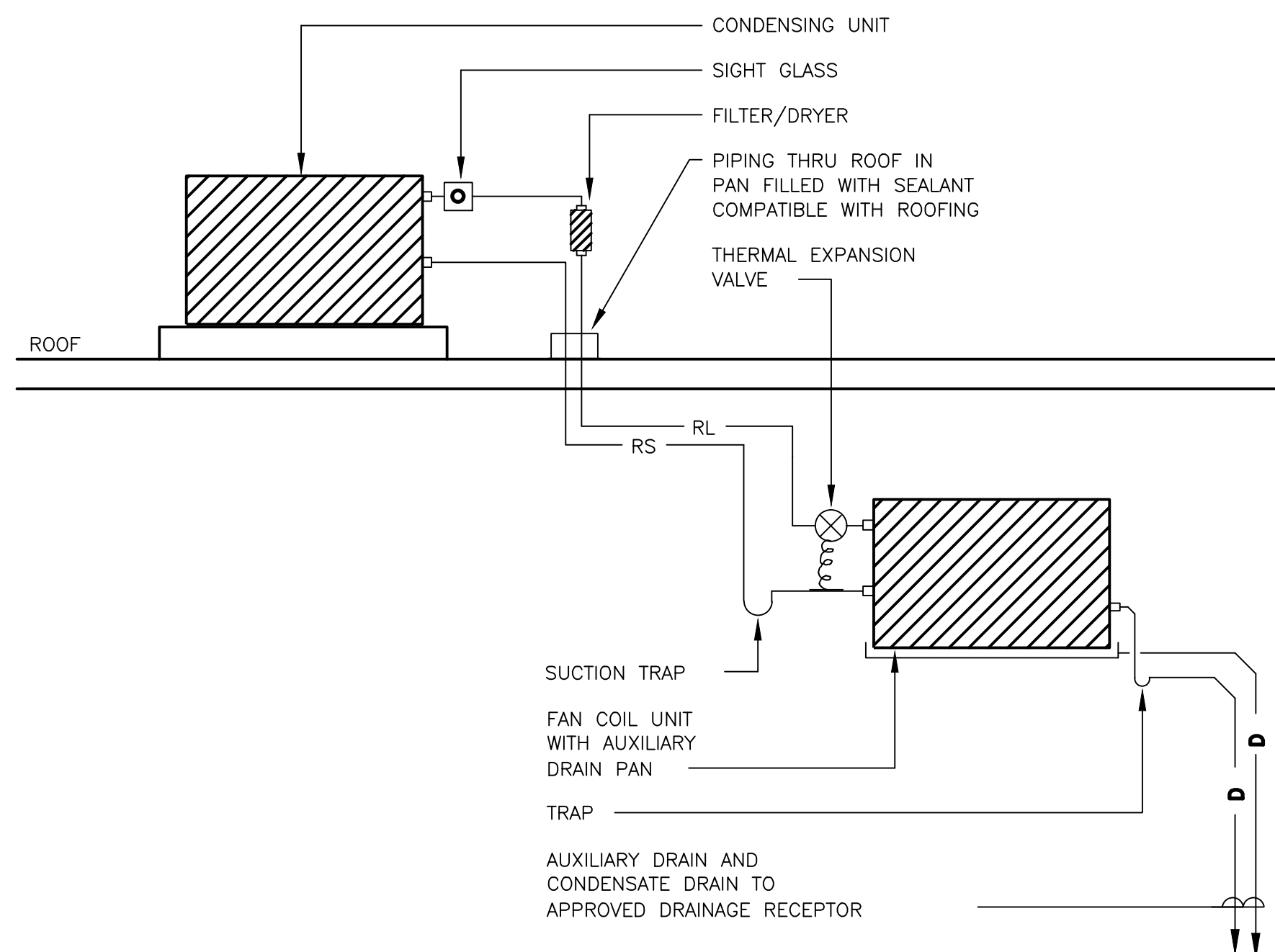
4 PIPE HANGING SUPPORT DETAILS
SCALE: NOT TO SCALE



5 CONDENSING UNIT ON ROOF
SCALE: NOT TO SCALE



6 IDF DUCTLESS SPLIT SYSTEM DETAIL
SCALE: NOT TO SCALE



7 A/C UNIT REFRIGERANT PIPING DIAGRAM
SCALE: NOT TO SCALE



2641 IRVING BLVD.
DALLAS, TEXAS 75207
TEL: 214-638-6800 FAX: 214-689-0301

PRELIMINARY
THIS DOCUMENT IS RELEASED FOR THE PURPOSES OF DESIGN DEVELOPMENT UNDER THE AUTHORITY OF: TODD M. JOHNSON, P.E. 86995 RELEASED ON APRIL 7, 2020. IT IS NOT TO BE USED FOR BIDDING, PERMIT & CONSTRUCTION, ETC.

PROJECT NO.: 580-005
DRAWN BY: PMI
CHECKED BY: PMI
R.S.F.: 12.348

3401 OLYMPUS
GOOSEHEAD INSURANCE

3401 OLYMPUS BLVD.
SUITE #440
DALLAS, TX 75019

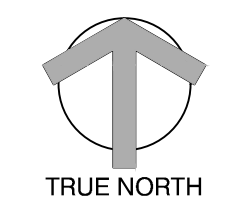
NO.	ISSUED FOR:	DATE:

LANDLORD/CLIENT REVIEW ISSUE DATE: XXXX/20
BID ISSUE DATE: XXXX/20
CONSTRUCTION ISSUE DATE: XXXX/20

Purdy - McGuire
Mechanical - Electrical Engineers
17300 North Dallas Parkway
Suite 3000
Dallas, Texas 75248-1147
Firm Registration # F-1511
Tel: 972/239-5357
Fax: 972/239-5231
www.purdy-mcguire.com

© 2007
PMI JOB NO. 20039.003
PROJECT MGR. TODD JOHNSON

THIS DRAWING SHALL NOT BE REPRODUCED FOR ANY PROJECT OTHER THAN THE PROJECT NOTED IN THE TITLE BLOCK, WITHOUT THE WRITTEN CONSENT OF PURDY-McGUIRE, INC. DALLAS, TX



DRAWING TITLE:
**MECHANICAL
DETAILS**

DRAWING NUMBER:

M3.01

© 2020 idGROUP, LLC.