

HOOD INFORMATION - JOB#4959677

HOOD NO	TAG	MODEL	MANUFACTURER	LENGTH	MAX COOKING TEMP	TYPE	APPLIANCE DUTY	DESIGN CFM/FT	TOTAL EXH CFM	EXHAUST PLENUM					HOOD CONSTRUCTION	HOOD CONFIG			
										WIDTH	LENG	HEIGHT	DIA	CFM		VEL	SP	END TO END	ROW
1	KHD1	3347 BD-2	CAPTIVEAIRE	4' 0"	450 DEG	I	MEDIUM	120	480			4"	8"	480	1375	-0.182"	430 SS WHERE EXPOSED	ALONE	ALONE

HOOD INFORMATION

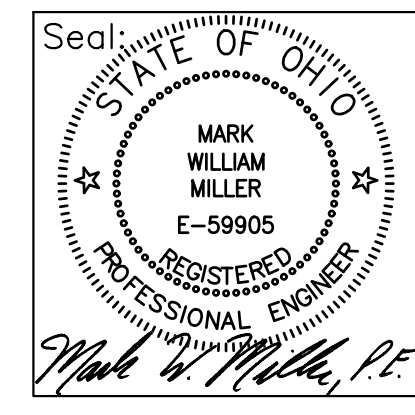
HOOD NO	TAG	FILTER(S)					LIGHT(S)				UTILITY CABINET(S)				FIRE SYSTEM PIPING	HOOD HANGING WEIGHT	
		TYPE	QTY	HEIGHT	LENGTH	EFFICIENCY @ 7 MICRONS	QTY	TYPE	WIRE GUARD	LOCATION	SIZE	TYPE	SIZE	MODEL #			QUANTITY
1	KHD1	SS BAFFLE WITH HANDLES	2	16"	20"	30%	2	L55 SERIES E26	NO							NO	246 LBS

CAPTIVE-AIRE HOODS ARE BUILT IN COMPLIANCE WITH UL 710 AND NFPA 96 AND ARE RECOGNIZED BY ONE OR MORE OF THE FOLLOWING:

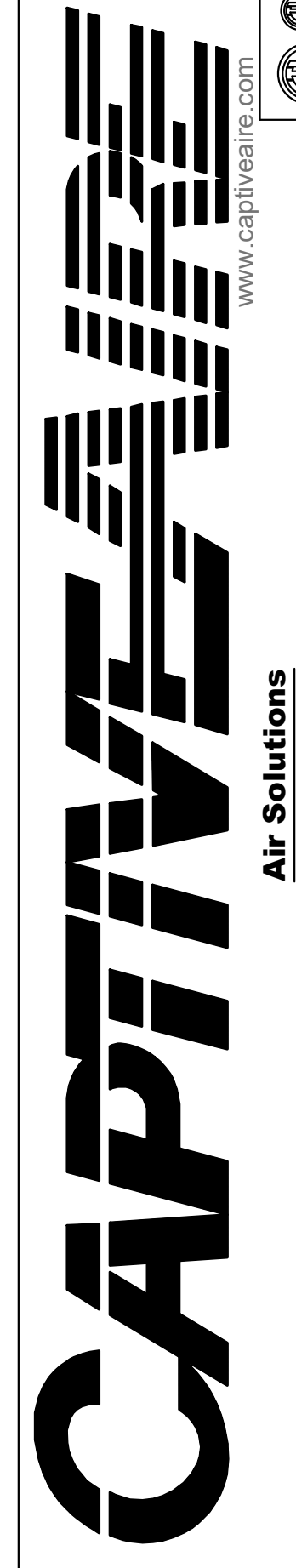
ETL SANITATION LISTED
ETL LISTED FILE # 3054804-001

HOOD SYSTEM IS FABRICATED & DESIGNED PER UL-710 STANDARDS

REVISIONS	
DESCRIPTION	DATE



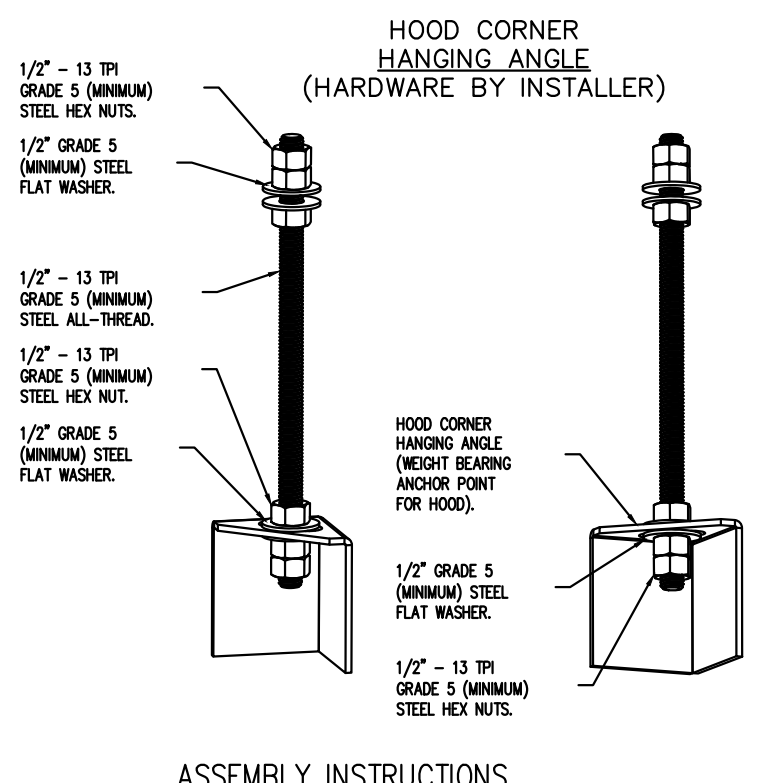
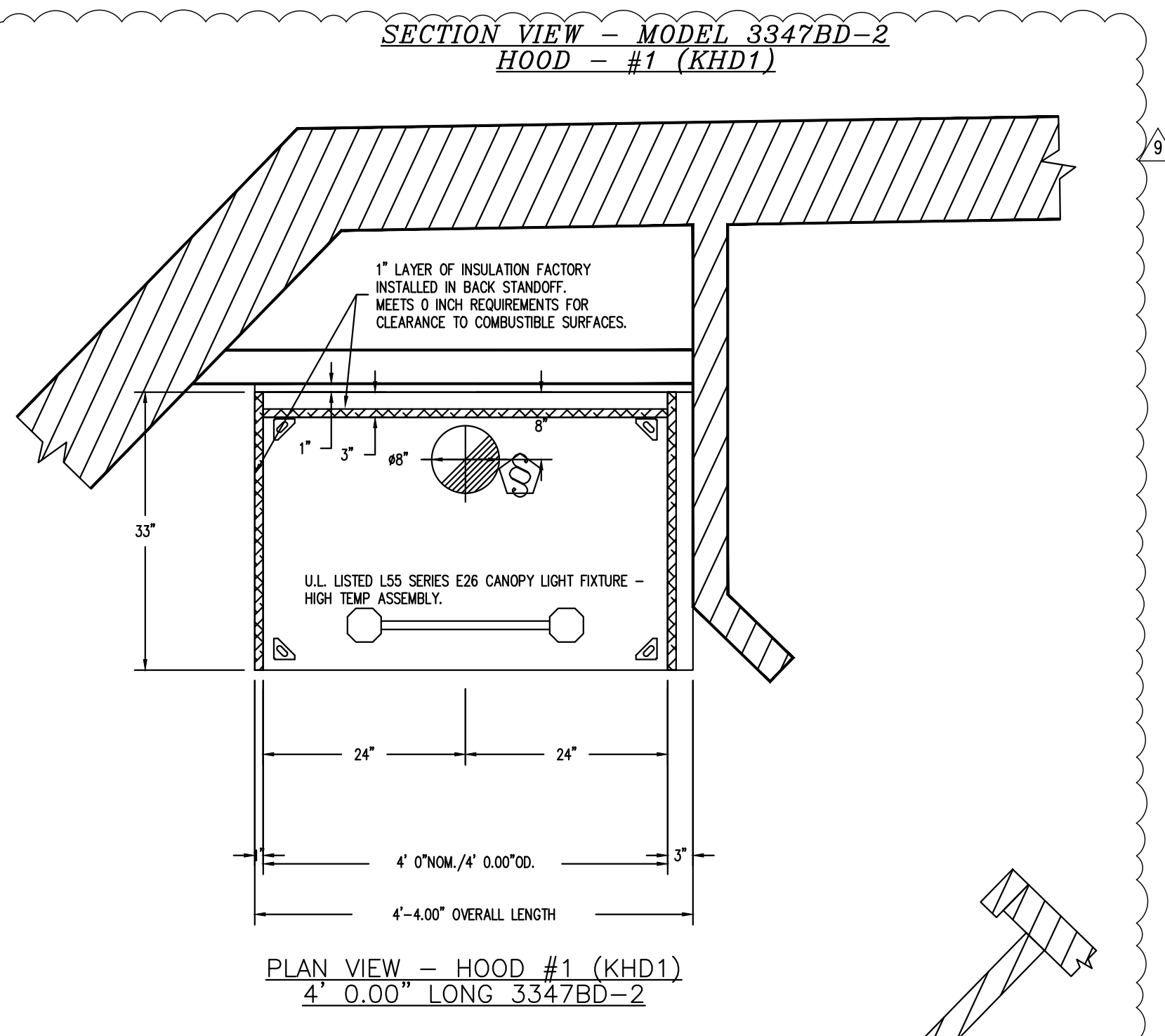
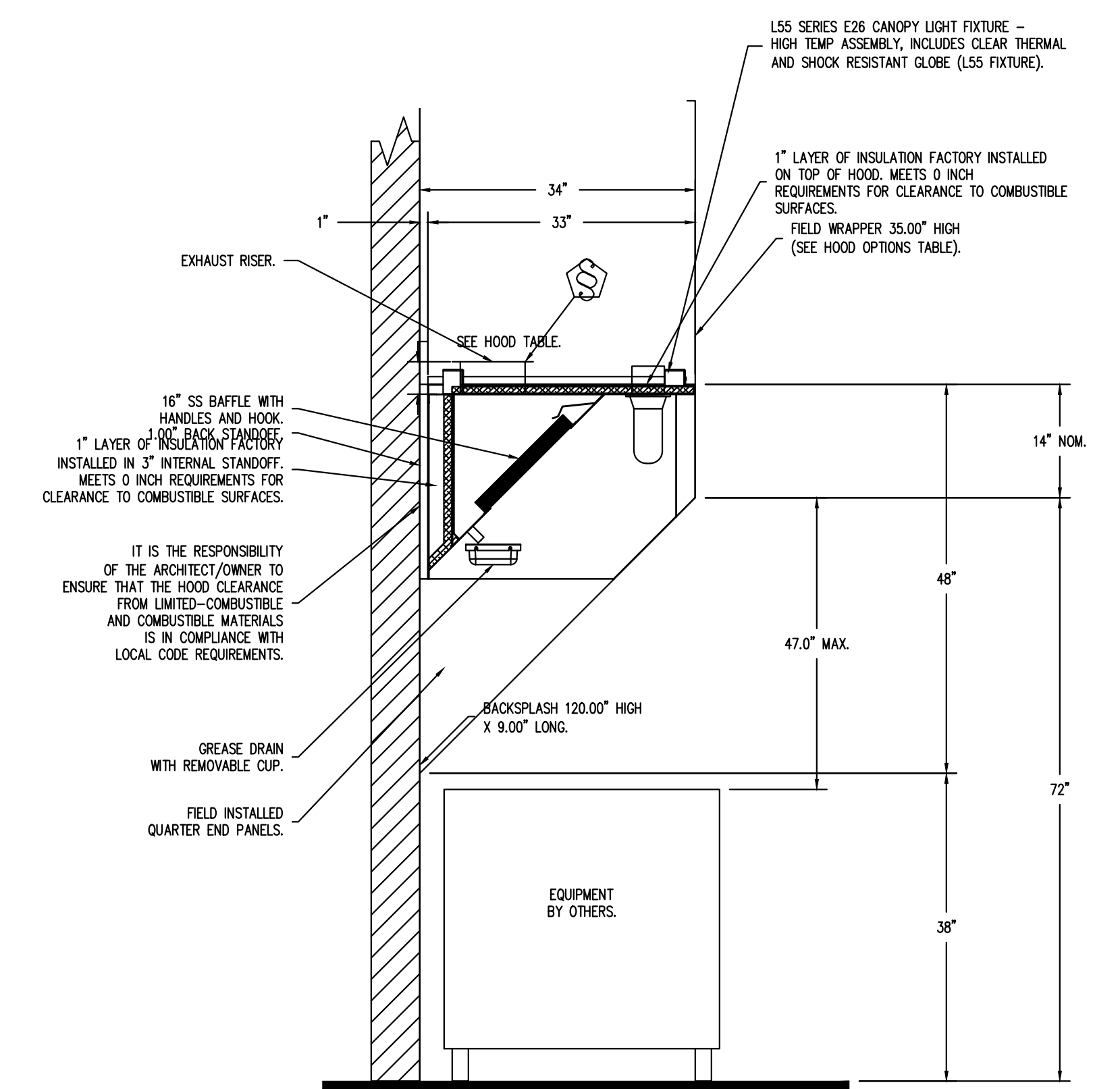
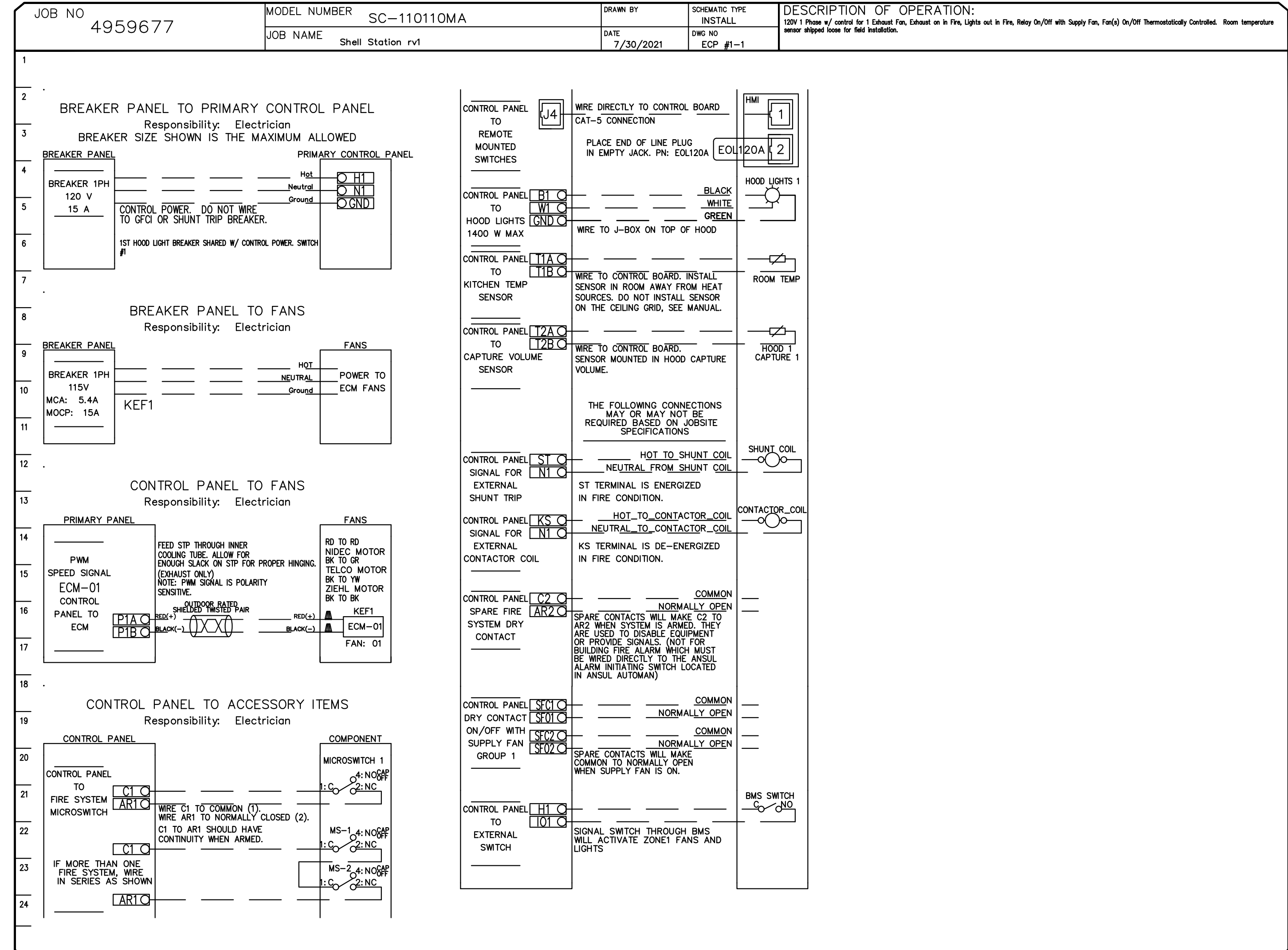
Plumetrics
"Plumbing, Mechanical, Electrical Engineering"
1550 Magnolia Drive
Cincinnati, Ohio 45215
(513) 842-1144 Office
(513) 617-2263 Mobile



Air Solutions
1329 East Kemper Rd., Ste. 4210, Cincinnati, OH 45206
PHONE: (513) 860-5555 EMAIL: reg120@captiveaire.com

ELECTRICAL PACKAGE - JOB#4959677

NO	TAG	PACKAGE #	LOCATION	SWITCHES		OPTION	FANS CONTROLLED					
				LOCATION	QUANTITY		FAN TAG	TYPE	Φ	HP	VOLT	FLA
1	EPI	SC-110110MA	WALL MOUNT IN SS BOX	O1 - FACE MOUNT LEFT SIDE OF HOOD HOOD # 1	1 LIGHT 1 FAN	SMART CONTROLS THERMOSTATIC CONTROL W/ RELAY ON/OFF WITH SUPPLY	KEF1	EXHAUST	1	0.333	115	4.3



ASSEMBLY INSTRUCTIONS

HANGING ANGLE MUST BE SUPPORTED WITH 1/2" - 13 TPI GRADE 5 (MINIMUM) ALL-THREAD. SANDWICH HANGING ANGLES AND CEILING ANCHOR POINTS WITH 1/2" GRADE 5 (MINIMUM) STEEL FLAT WASHERS AND 1/2" - 13 TPI GRADE 5 (MINIMUM) HEX NUTS AS SHOWN. MUST USE DOUBLED HEX NUT CONFIGURATION BENEATH HOOD HANGING ANGLES AND ABOVE CEILING ANCHORS. MAINTAIN 1/4" OF EXPOSED THREADS BENEATH BOTTOM HEX NUT. TORQUE ALL HEX NUTS TO 57 FT-LBS.

HOOD OPTIONS

HOOD NO	TAG	OPTION
1	KHD1	FIELD WRAPPER 35.00" HIGH FRONT, LEFT, RIGHT. BACKSPLASH 120.00" HIGH X 28.00" LONG 430 SS VERTICAL. BACKSPLASH 120.00" HIGH X 48.00" LONG 430 SS VERTICAL. BACKSPLASH 120.00" HIGH X 9.00" LONG 430 SS VERTICAL. BACK STANDOFF (FLAT) 1" WIDE 52" LONG. BACKSPLASH - INSIDE CORNER 62.00" HIGH X 2.00" LEG LENGTH 430 SS VERTICAL. RIGHT END STANDOFF(FIN/SLP) 3" WIDE 33" LONG INSULATED. LEFT END STANDOFF(FIN/SLP) 1" WIDE 33" LONG INSULATED. RIGHT QUARTER END PANEL 24" TOP WIDTH, 0" BOTTOM WIDTH, 24" HIGH 430 SS. LEFT QUARTER END PANEL 24" TOP WIDTH, 0" BOTTOM WIDTH, 24" HIGH 430 SS. INSULATION FOR TOP OF HOOD. INSULATION FOR BACK OF HOOD. SENSOR-CV.

Shell Station rvl
CINCINNATI, OH, 45202

DATE: 7/30/2021
DWG.#: 4959677
DRAWN BY: Jcirilli
SCALE: 3/4" = 1'-0"
MASTER DRAWING
SHEET NO. 1

Issued For:	Date:	By:
3 Permit Revision	26 Jan 2021	M. Miller
4 Permit Revision	11 Feb 2021	M. Miller
5 Elec Permit Revision	17 Feb 2021	M. Miller
6 Elec Permit Revision	05 Mar 2021	M. Miller
7 Plum. Permit Revision	29 Apr 2021	M. Miller
8 Plum. Permit Revision	14 Jul 2021	M. Miller
9 HVAC. Permit Revision	03 Aug 2021	M. Miller

© Plumetrics All Rights Reserved
16 April 2020

Kitchen Hood Information

Sheet: **M3**

EXHAUST FAN INFORMATION - JOB#4959677

FAN UNIT NO	TAG	QTY	FAN UNIT MODEL #	MANUFACTURER	CFM	ESP	RPM	MOTOR ENCL	HP	BHP	PHASE	VOLT	FLA	DISCHARGE VELOCITY	WEIGHT (LBS)	SONES
1	KEF1	1	DU33HFA	CAPTIVEAIRE	480	1.000	1534	TEAO-ECM	0.333	0.2200	1	115	4.3	238 FPM	74	15.4

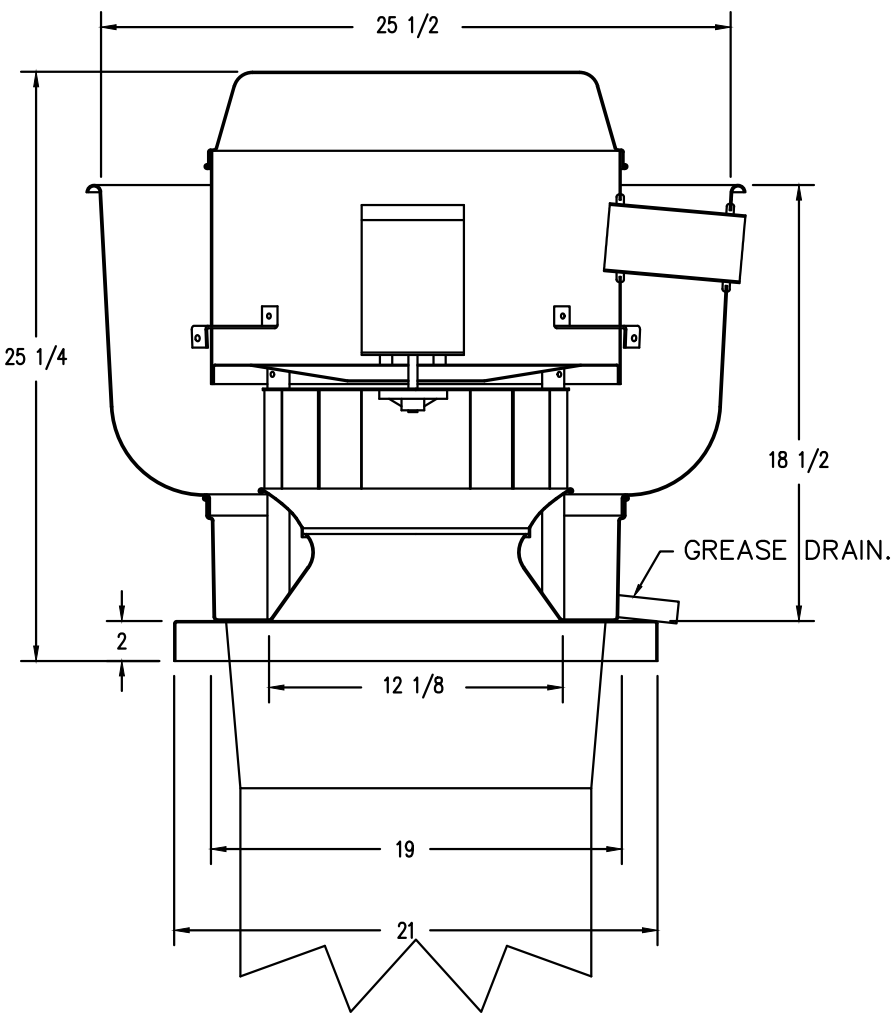
FAN OPTIONS

FAN UNIT NO	TAG	QTY	DESCRIPTION
1	KEF1	1	GREASE BOX.
1	KEF1	1	FAN BASE CERAMIC SEAL - INSTALLED AT PLANT - FOR GREASE DUCTS.
1	KEF1	1	ECM WIRING PACKAGE - PWM SIGNAL FROM ECPM03 PREWIRE (TELCO MOTOR), CCW ROTATION.
1	KEF1	1	2 YEAR PARTS WARRANTY.

FAN ACCESSORIES

FAN UNIT NO	TAG	EXHAUST				SUPPLY		
		GREASE CUP	GRAVITY DAMPER	WALL MOUNT	SIDE DISCHARGE	GRAVITY DAMPER	MOTORIZED DAMPER	WALL MOUNT
1	KEF1	YES						

FAN #1 DU33HFA - EXHAUST FAN (KEF1)



FEATURES:

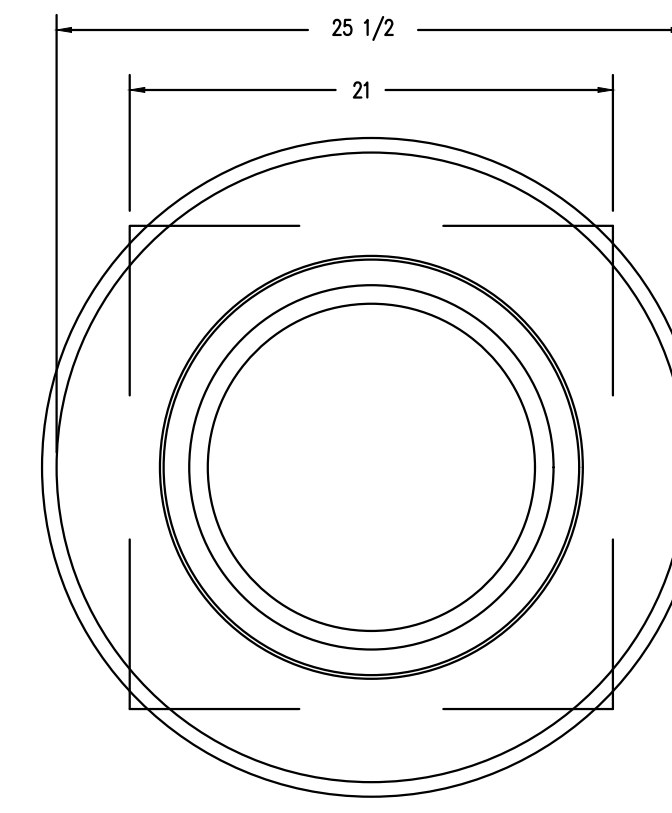
- DIRECT DRIVE CONSTRUCTION (NO BELTS/PULLEYS).
- ROOF MOUNTED FANS.
- RESTAURANT MODEL.
- UL705 AND UL762 AND ULC-S645
- VARIABLE SPEED CONTROL.
- INTERNAL WIRING.
- THERMAL OVERLOAD PROTECTION (SINGLE PHASE).
- HIGH HEAT OPERATION 300°F (149°C).
- GREASE CLASSIFICATION TESTING.
- NEMA 3R SAFETY DISCONNECT SWITCH.

NORMAL TEMPERATURE TEST
EXHAUST FAN MUST OPERATE CONTINUOUSLY WHILE EXHAUSTING AIR AT 300°F (149°C) UNTIL ALL FAN PARTS HAVE REACHED THERMAL EQUILIBRIUM, AND WITHOUT ANY DETERIORATING EFFECTS TO THE FAN WHICH WOULD CAUSE UNSAFE OPERATION.

ABNORMAL FLARE-UP TEST
EXHAUST FAN MUST OPERATE CONTINUOUSLY WHILE EXHAUSTING BURNING GREASE VAPORS AT 600°F (316°C) FOR A PERIOD OF 15 MINUTES WITHOUT THE FAN BECOMING DAMAGED TO ANY EXTENT THAT COULD CAUSE AN UNSAFE CONDITION.

OPTIONS

- GREASE BOX.
- FAN BASE CERAMIC SEAL - INSTALLED AT PLANT - FOR GREASE DUCTS.
- ECM WIRING PACKAGE - PWM SIGNAL FROM ECPM03 PREWIRE (TELCO MOTOR), CCW ROTATION.
- 2 YEAR PARTS WARRANTY.

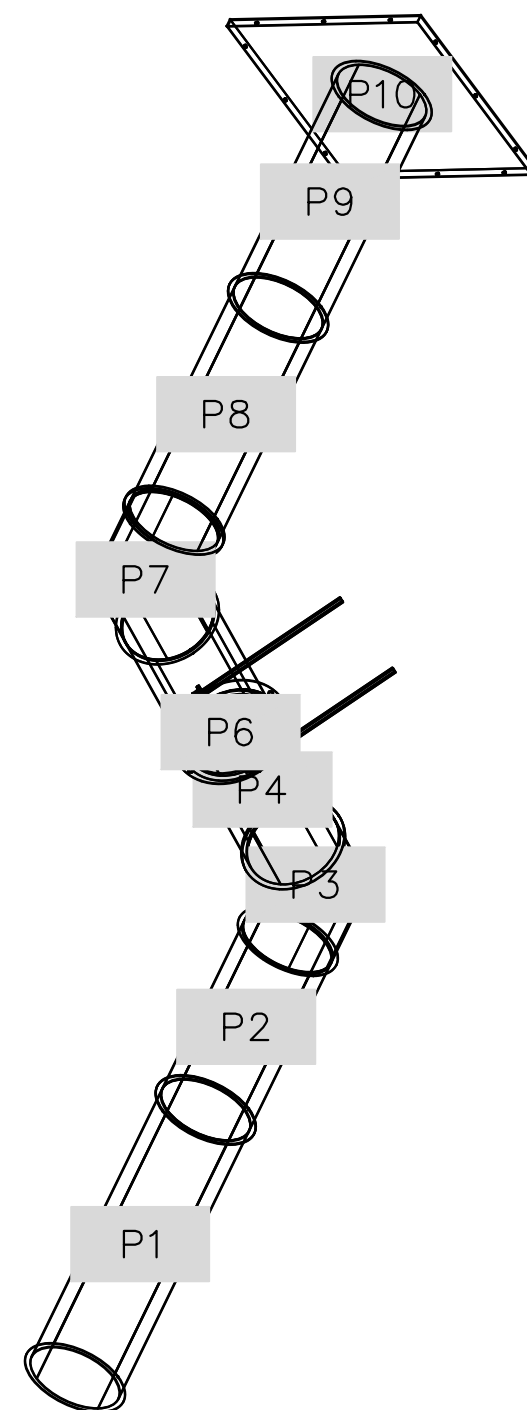


TOP VIEW

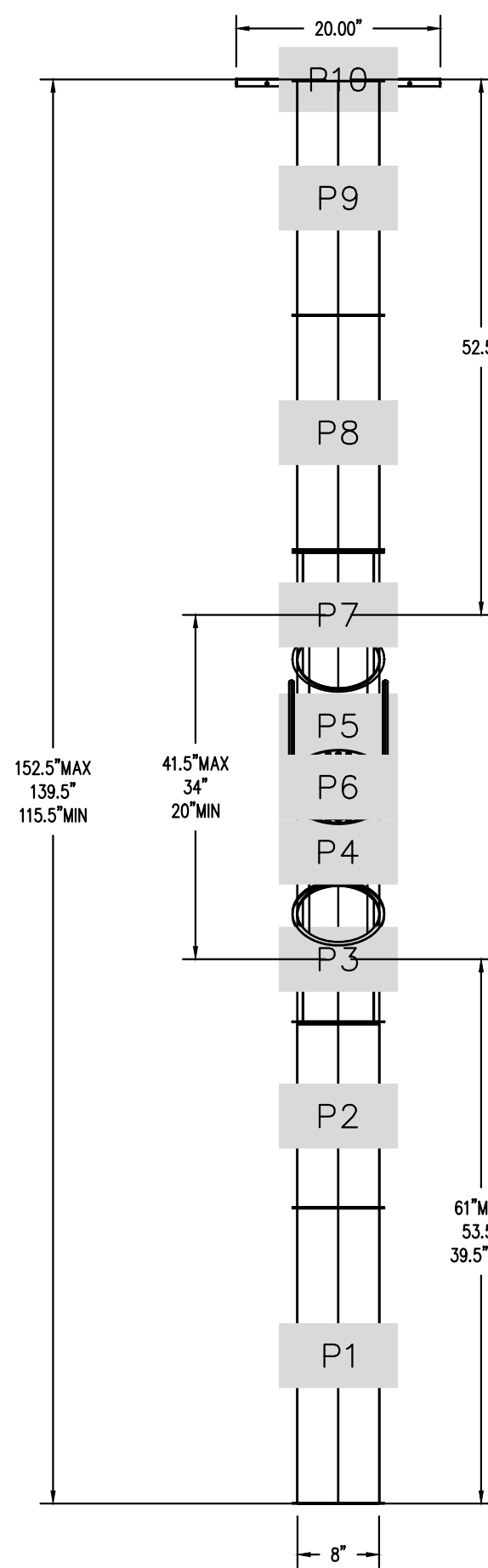
DUCTWORK #1 PARTS - JOB#4959677 DUCT RUN

TAG	PART #	CFM	GPM	ZONE	COVEREDBY	SP	WEIGHT	VELOCITY	QTY	DESCRIPTION
P1	DW0829LT	560				-0.0191	7.82	1604.28	1	SINGLE WALL DUCT 8" DIAMETER, 29" LONG, FLANGE AT BOTH ENDS. STAINLESS STEEL.
P2	DW0830AJDKIT	560				-0.0119	10.21	1604.28	1	SINGLE WALL DUCT ADJUSTABLE, 8" DIAMETER, 29.5" LONG, FLANGE AT ONE END WITH A 8" ADJUSTABLE COLLAR - STAINLESS STEEL.
P3	DW0845ASY	560				-0.0288	3.48	1604.28	1	SINGLE WALL DUCT 45 DEGREE ELBOW, 8" DUCT, ASSEMBLY.
P4	DW0817LT	560				-0.0112	4.68	1604.28	1	SINGLE WALL DUCT 8" DIAMETER, 17" LONG, FLANGE AT BOTH ENDS. STAINLESS STEEL.
P5	DW0830AJDKIT	560				-0.0118	10.21	1604.28	1	SINGLE WALL DUCT ADJUSTABLE, 8" DIAMETER, 29.5" LONG, FLANGE AT ONE END WITH A 8" ADJUSTABLE COLLAR - STAINLESS STEEL.
P6	DW08SUBRASY						2.34		1	DUCT SUPPORT BRACKET KIT, 8" DUCT, USED FOR HANGING DUCT. 12 GA STEEL, CLEAR ZINC COATING. - 2 RINGS, 4 BRACKETS, & HARDWARE BAG 2.
P7	DW0845ASY	560				-0.0336	3.48	1604.28	1	SINGLE WALL DUCT 45 DEGREE ELBOW, 8" DUCT, ASSEMBLY.
P8	DW0823LT	560				-0.015	6.24	1604.28	1	SINGLE WALL DUCT 8" DIAMETER, 23" LONG, FLANGE AT BOTH ENDS. STAINLESS STEEL.
P9	DW0823LT	560				-0.015	6.24	1604.28	1	SINGLE WALL DUCT 8" DIAMETER, 23" LONG, FLANGE AT BOTH ENDS. STAINLESS STEEL.
P10	DW1908TPOBEX	560					7.50	1604.28	1	DUCT TO CURB TRANSITION 3/4" DOWN TURN, 19-1/2" CURB TO 8" DUCT, 16 GA ALUMINIZED STEEL. NON-STANDARD PART. FOR USE WITH EXHAUST FANS.
SYSTEM AT P10						-0.3934	0.00			
	3M-2000PLUS						0.80		2	DUCT - 3M FIRE BARRIER 2000 PLUS SILICONE - USED AS SEALANT TO SEAL DUCT JOINTS.
	DW08CLASY						0.70		8	DUCT "V" CLAMP, 8" DUCT WITH NEW DESIGN 14 GA BRACKETS, ASSEMBLY.
TOTAL WEIGHT							69.40			

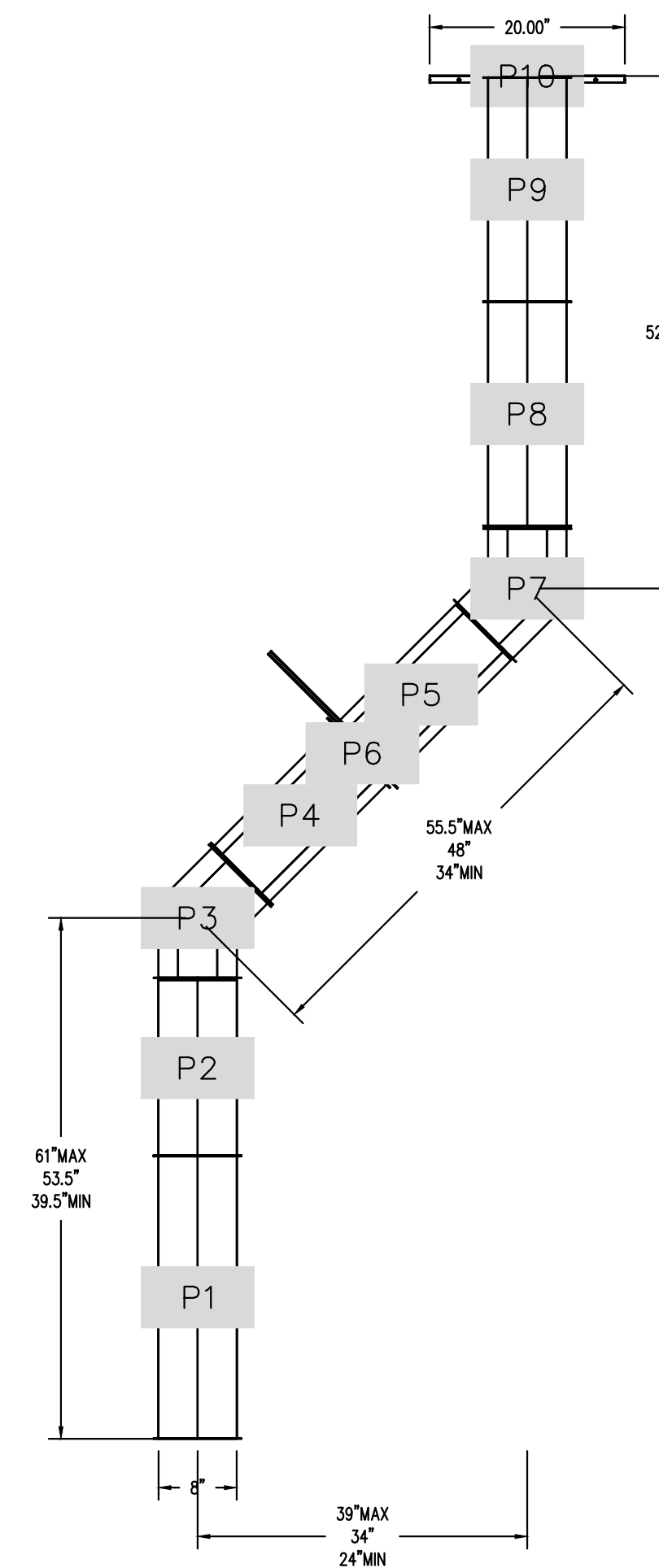
DUCTWORK #1 SE VIEW DUCT RUN



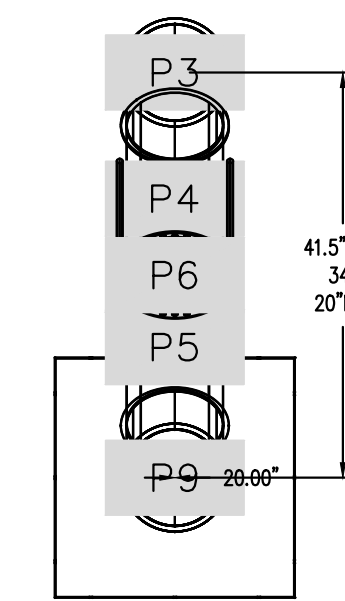
DUCTWORK #1 FRONT VIEW DUCT RUN



DUCTWORK #1 SIDE VIEW DUCT RUN



DUCTWORK #1 TOP VIEW DUCT RUN



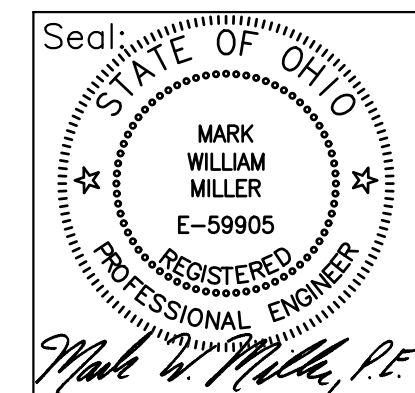
REVISIONS

DESCRIPTION	DATE

CAPTIVE
Air Solutions
www.captiveaire.com
1329 East Kemper Rd., Ste. 4210, Cincinnati, OH, 45246 PHONE: (513) 860-5555 EMAIL: reg.120@captiveaire.com

Shell Station rv1
CINCINNATI, OH, 45202

DATE: 7/30/2021
DWG.#: 4959677
DRAWN BY: jcirilli
SCALE: 3/4" = 1'-0"
MASTER DRAWING
SHEET NO. 2



Plumechtrics
"Plumbing, Mechanical, Electrical Engineering"
1550 Magnolia Drive
Cincinnati, Ohio 45215
(513) 842-1144 Office
(513) 617-2263 Mobile

MEP:
New Shell
Convenience Store
10 West Mitchell Avenue
Cincinnati, Ohio 45217

Issued For:	Date:	By:
3 Permit Revision	26 Jan 2021	M. Miller
4 Permit Revision	11 Feb 2021	M. Miller
5 Elec Permit Revision	17 Feb 2021	M. Miller
6 Elec Permit Revision	05 Mar 2021	M. Miller
7 Plum. Permit Revision	29 Apr 2021	M. Miller
8 Plum. Permit Revision	14 Jul 2021	M. Miller
9 HVAC. Permit Revision	03 Aug 2021	M. Miller

© Plumechtrics All Rights Reserved
16 April 2020
Exhaust Fan Information
Sheet:
M4