

- NOTES
- FIELD PIPE DROPS AS SHOWN
  - PIPING, ELBOWS, TEES, AND NOZZLES SUPPLIED BY CAS.
  - FIELD INSTALLED DROP: FACTORY WILL PROVIDE QTY 2 60IN LONG PIECES OF CHROME PLATED PIPING SHIPPED LOOSE TO BE FIELD-INSTALLED.
  - SHIP LOOSE DROP: FACTORY WILL PROVIDE THE EXACT CHROME PIPE LENGTH NEEDED SHIPPED LOOSE TO BE FIELD-INSTALLED.
  - RELOCATE NOZZLES IF FLOW PATTERN IS BLOCKED BY SHELVING, SALAMANDERS, ETC.
  - OVERLAPPING COVERAGE SHALL NOT BE USED ON ANY APPLIANCE WITH AN OBSTRUCTION.
  - IF APPLICABLE, EXTENDED PRE-PIPED DROPS ARE SHIPPED LOOSE.
  - FACTORY PIPING EXTENDS A MAXIMUM OF 6" ABOVE THE TOP OF THE HOOD.

- APPLIANCE DIMENSIONS LISTED REPRESENT THE COOKING SURFACE SIZE, NOT THE OVERALL APPLIANCE SIZE.
- THIS FIRE SYSTEM COMPLIES WITH U.L. 300 REQUIREMENTS.

- DL-F NOZZLE PART NUMBER REPLACES 3070-3/8H-10-SS

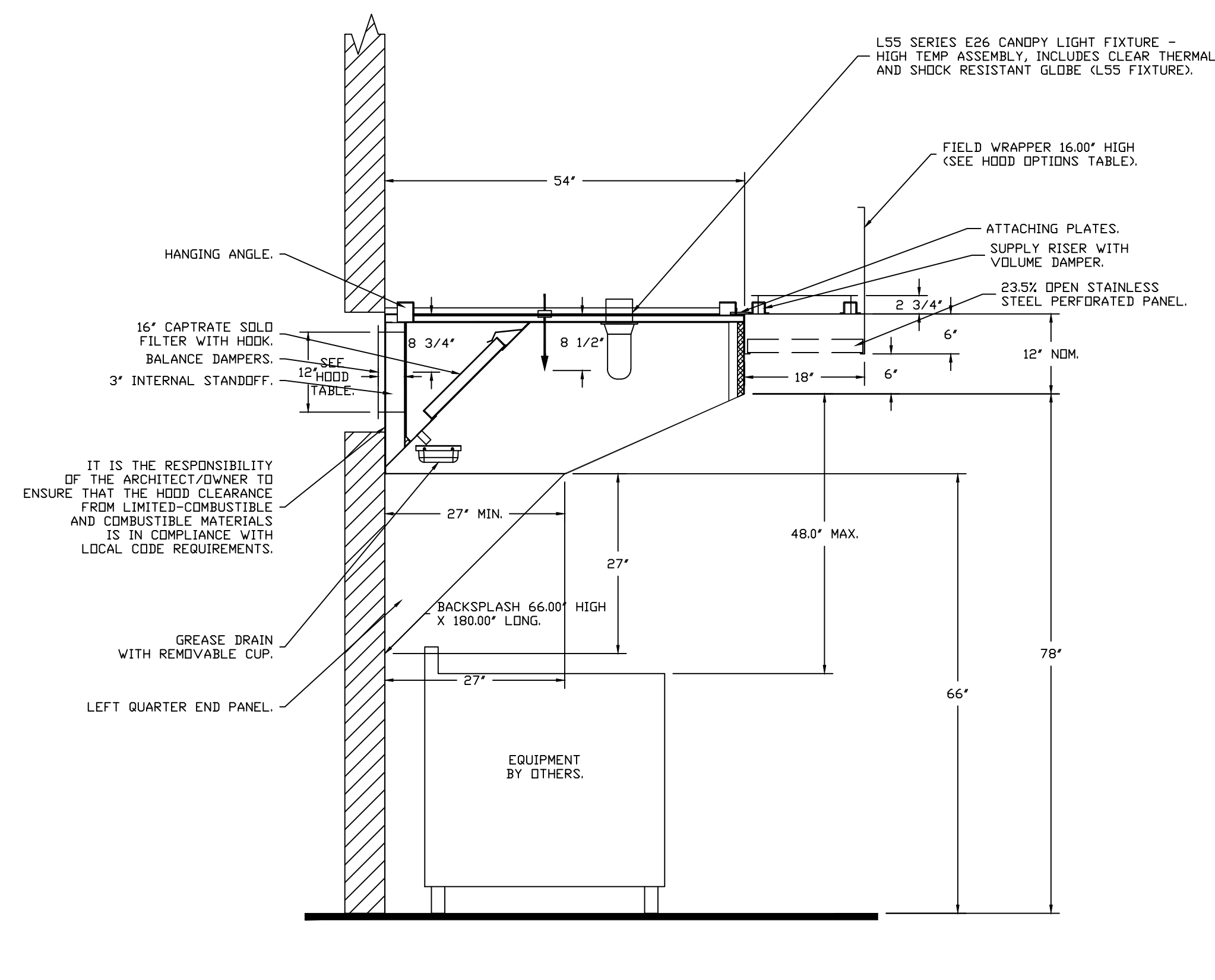
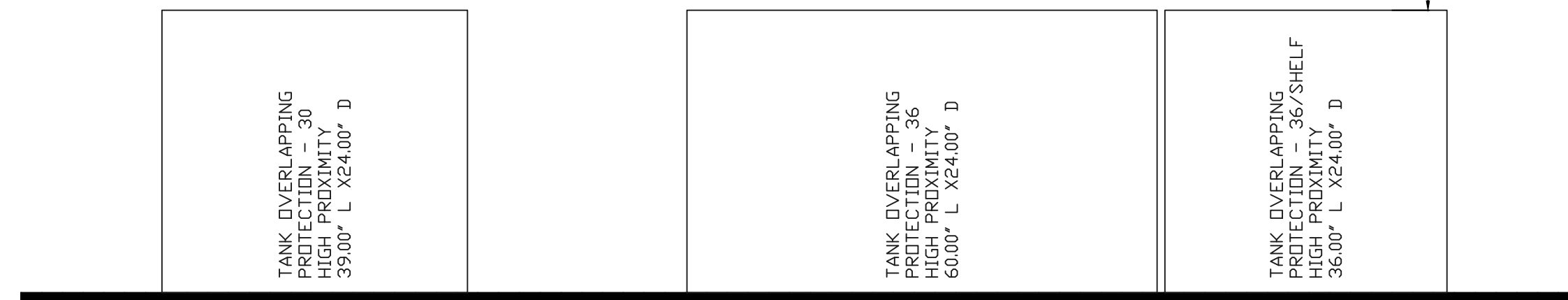
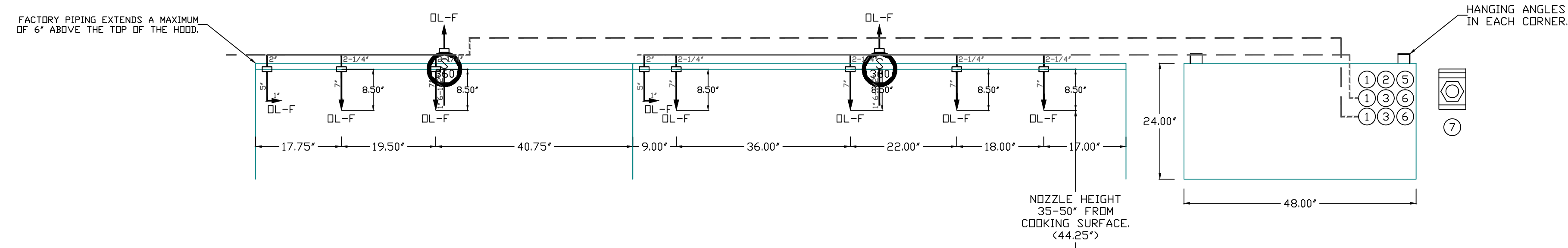
JOB #: 5272733.  
JOB NAME: MERRICK INN (LEXINGTON, KY).

SYSTEM SIZE: TANK-SP-3-WC TOTAL FP REQUIRED: 44.  
HOOD # 5 6' 6.00" LONG x 54" WIDE x 12" HIGH.  
RISER # 1 SIZE: 12" DIA.  
HOOD # 5 METAL BLOW-OFF CAPS INCLUDED.  
HOOD # 6 8' 6.00" LONG x 54" WIDE x 12" HIGH.  
RISER # 1 SIZE: 14" DIA.  
HOOD # 6 METAL BLOW-OFF CAPS INCLUDED.

- HEAVY-DUTY APPLIANCES (RATED 600°F) WILL REQUIRE AN ADDITIONAL DOWNSTREAM FIRESTAT IN THE EVENT THAT THE DUCTWORK CONTAINS ANY HORIZONTAL RUNS OVER 25 FT IN LENGTH.
- MEDIUM TO LIGHT-DUTY APPLIANCES (RATED 450°F) WILL NOT REQUIRE ANY ADDITIONAL DOWNSTREAM DETECTION.

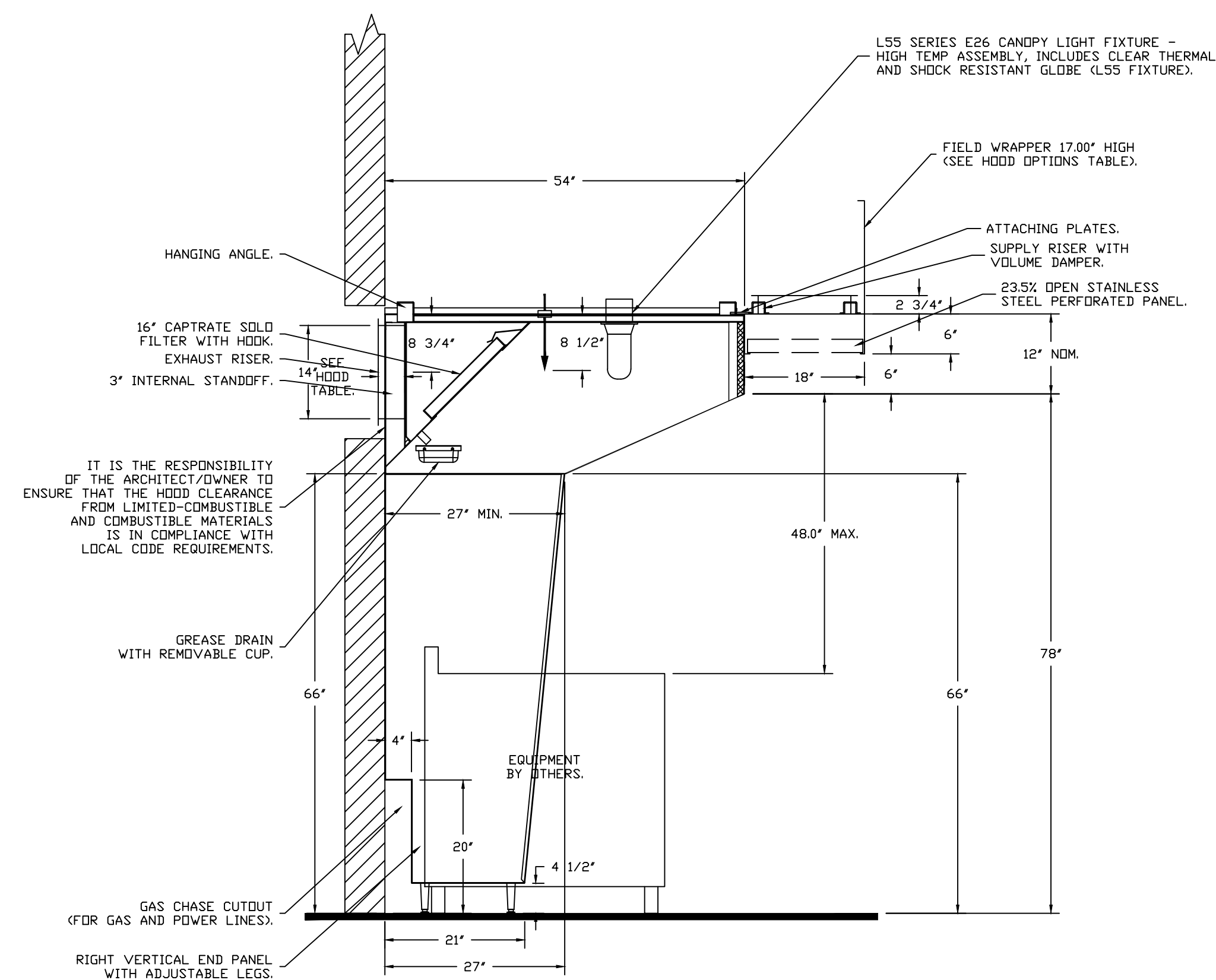
**LEGEND - FIRE CABINET TANK SYSTEM**

- 4 GALLON TANK.
- PRIMARY ACTUATOR RELEASE.
- SECONDARY ACTUATOR RELEASE.
- PRESSURE SUPERVISION SWITCH.
- PRIMARY HOSE ASSEMBLY.
- SECONDARY HOSE ASSEMBLY.
- REMOTE MANUAL ACTUATION DEVICE.



SECTION VIEW - MODEL 5412SND-2-PSP-F  
HOOD - #5

RISER	A (HEIGHT/DIAMETER)	B (VERTICAL DIMENSION)
1	12	7.500



SECTION VIEW - MODEL 5412SND-2-PSP-F  
HOOD - #6

RISER	A (HEIGHT/DIAMETER)	B (VERTICAL DIMENSION)
1	14	7.500