

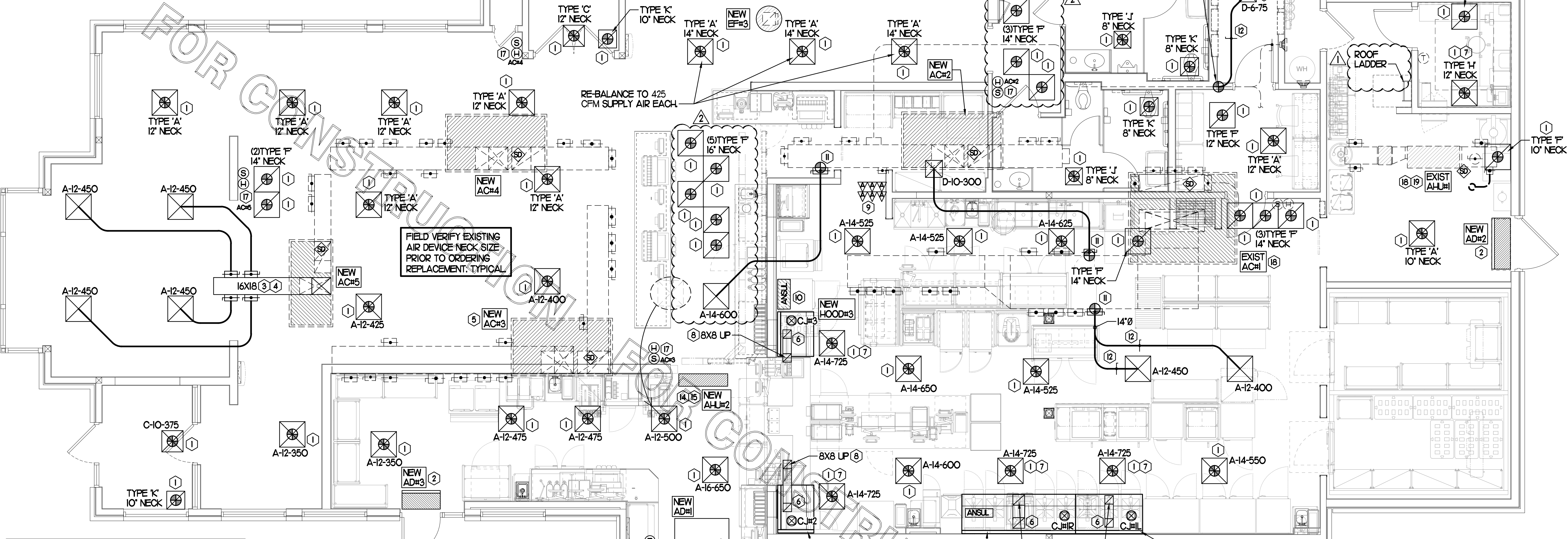
**H.E.S. SYSTEM**

MECHANICAL CONTRACTOR TO PROVIDE AND INSTALL SUNCOAST H.E.S. SYSTEM FOR ALL NEW HOODS. SEE HOOD FAN/EQUIPMENT INTERLOCK WIRING DIAGRAM ON SHEET M4.I FOR MORE INFORMATION.

EXISTING CONDITIONS SHOWN ARE FROM PREVIOUS DRAWINGS. MECHANICAL CONTRACTOR SHALL FIELD VERIFY EXACT LOCATIONS OF ALL DUCT AND DIFFUSERS. IF MAJOR DIFFERENCES OCCUR IN FIELD, CONTACT CHICK-FIL-A CONSTRUCTION MANAGER.

CONNECT NEW 6" BRANCH DUCT INTO DUCT SERVING MECHANICAL AND MULTI-PURPOSE ROOMS AND ROUTE TO ELECTRICAL ROOM AS SHOWN.

HOLD DUCT AT ALL AC UNITS AS HIGH AS POSSIBLE DUE TO LIMITED CLEARANCE ABOVE CEILING.



FIELD VERIFY EXISTING AIR DEVICE NECK SIZE PRIOR TO ORDERING REPLACEMENT. TYPICAL

RE-BALANCE TO 425 CFM SUPPLY AIR EACH

**LEGEND**

A-12-400	TYPE - NECK SIZE - CFM
	SPIN-IN FITTING, MVD, NO SCOOP
	REMOTE TEMPERATURE SENSOR
	REMOTE HUMIDITY SENSOR
	SMOKE DETECTOR
	GREASE ACCESS DOOR TYPE
	DIRECTION OF THROW
	KEY NOTE REFERENCE
	EXISTING START COLLAR
	EXISTING RUNOUT TO REMAIN
	EXISTING RETURN/EXHAUST (TYP)
	EXISTING SUPPLY DIFFUSER (TYP)
	NEW RETURN/EXHAUST, UNO. (TYP)
	NEW SUPPLY DIFFUSER, UNO. (TYP)
	NEW DUCT (TYP)
	SMOKE DETECTOR TEST/RESET STATION

**SHEET NOTES**

- DUCT SIZES SERVING DIFFUSERS AND GRILLES ARE SAME SIZE AS DIFFUSER OR GRILLE NECK UNLESS NOTED OTHERWISE
- REFER TO ELEVATIONS ON M2.I AND HOOD DETAILS ON M4.I FOR CAPTURE-LET FANS DUCTING REQUIREMENTS.
- HARDPIPE SHALL BE USED FOR ALL TAKE-OFFS EXCEPT WHERE ALLOWED BY DETAIL 1/M3.I. USE OF FLEXIBLE DUCT SHALL BE LIMITED TO THOSE SITUATIONS WHERE NO OTHER MEANS TO ACCOMPLISH ROUTING IS POSSIBLE.
- COORDINATE NEW WORK WITH EXISTING CONDUITS, STRUCTURE AND PIPING. FIELD VERIFY EXISTING CONDITIONS PRIOR TO COMMENCING WORK. CONTRACTOR TO NOTIFY DESIGN TEAM WITHOUT DELAY IF ACTUAL LOCATION OF EXISTING MECHANICAL EQUIPMENT DOES NOT MATCH FLOOR PLAN.
- MECHANICAL CONTRACTOR SHALL BALANCE HVAC SYSTEM AS SHOWN ON THIS PLAN & IN SCHEDULES ON SHEET M3.I. IF AIRFLOWS DIFFER BY MORE THAN 5%, CONTACT CFA CONSTRUCTION MANAGER. TEST AND BALANCE REPORT SHALL BE DONE PRIOR TO STORE TURNOVER AND SUBMITTED TO CFA'S CONSTRUCTION MANAGER.

**KEY NOTES (THIS SHEET ONLY)**

- CONNECT NEW AIR DEVICE TO EXISTING TAKE-OFF. IF NECESSARY, MECHANICAL CONTRACTOR SHALL PROVIDE AND INSTALL NEW DUCT IN ORDER TO MAKE CONNECTION TO AIR DEVICE IN NEW LOCATION. ANY FLEX DUCT USED SHALL NOT BE LONGER THAN 4'-0". SEE DETAIL 1/M3.I. COORDINATE AIR DEVICE LOCATIONS WITH ARCHITECTURAL REFLECTED CEILING PLAN.
- AIR CURTAIN MOUNTED OVER DOOR HEADER AT 7'-2" AFF TO BOTTOM OF UNIT. PROVIDE BLOCKING IN WALL BEHIND AIR CURTAIN. USE FACTORY PRE-PUNCHED MOUNTING HOLES ON BACK SIDE OF AIR CURTAIN ONLY. ATTACH AIR CURTAIN TO WALL USING 3/8" LAG BOLTS, LENGTH AS REQUIRED TO FULLY PENETRATE BLOCKING. LOCATE MAGNETIC CONTACT TYPE MICROSWITCH IN DOOR FRAME ON STRIKE SIDE.
- BRANCH TAKE-OFFS SHALL NOT BE LOCATED CLOSER THAN 3'-0" FROM ANY ELBOW INCLUDING THE SUPPLY AIR DROP FROM CURB.
- TRANSITION IN VERTICAL DROP FROM FULL SIZE OF CURB OPENING TO SIZE SHOWN. TRANSITION WITHIN CURB WHERE REQUIRED TO AVOID STRUCTURE. PROVIDE TURNING VANES IN ELBOWS, INCLUDING THE SUPPLY AIR DROP FROM UNIT.
- GC TO CONFIRM EXACT LOCATION OF AC#3 MAIN DUCT RUNS RELATIVE TO PROPOSED NEW WALL PRIOR TO START OF CONSTRUCTION. CONTACT JLL PM OR AOR IF DETERMINED THERE IS A CONFLICT.
- HALTON MBD DAMPER AT HOOD COLLAR BY MECHANICAL CONTRACTOR. REFER TO SHEET M2.I AND M4.I FOR FURTHER INFORMATION.
- MECHANICAL CONTRACTOR TO ADJUST PATTERN DEFLECTORS TO THROW STRAIGHT DOWN.
- GREASE DUCT UP THRU ROOF FROM FULL SIZE OF MBD COLLAR. OFFSETS THRU ROOF NOT TO BE GREATER THAN 45 DEGREES. SEE SHEET M1.2 FOR CONTINUATION.
- MOUNT NEW SMOKE DETECTOR TEST/RESET STATIONS FOR ALL A/C UNITS ON WALL. COORDINATE EXACT LOCATION WITH KITCHEN ELEVATIONS AND ELECTRICAL. CONTACT SUNCOAST ENVIRONMENTAL CONTROLS AT 1-877-544-6679 TO PURCHASE A NEW SMOKE DETECTOR TEST/RESET STATION FOR EACH RTU.
- ANSUL UTILITY CABINET. LOCATE TOP OF CABINET 0'-2" BELOW CEILING. COORDINATE FINAL MOUNTING LOCATION WITH KITCHEN EQUIPMENT.
- PROVIDE & INSTALL NEW SPIN-IN COLLAR AND ROUTE NEW DUCT TO NEW GRILLE AS SHOWN.
- RUSKIN MODEL MDRS25 OR EQUIVALENT MANUAL VOLUME DAMPER WITH LOCKING QUADRANT HANDLE.
- CONTACT SUNCOAST ENVIRONMENTAL CONTROLS TO PURCHASE A NEW T'STAT FOR EACH NEW RTU. NEW T'STATS SHALL BE INSTALLED IN EXISTING CFA T500 PANEL. CONTROL WIRING TERMINATIONS BETWEEN NEW T'STATS, NEW SENSORS, AND NEW RTUS BY MECHANICAL CONTRACTOR. REFER TO WIRING DIAGRAM ON SHEET M4.I.
- ROUTE CONDENSATE ABOVE CEILING FROM AHU#2 AND DOWN IN WALL CAVITY TO EXIT POINT 12" ABOVE FLOOR DRAIN TO TERMINATE INTO FLOOR DRAIN LOCATED BEHIND ICE MAKER IN DRIVE THRU WITH CODE APPROVED AIR GAP. COORDINATE EXACT LOCATION OF DRAIN WITH PLUMBING PLANS. CONDENSATE PIPING SHALL BE TYPE K COPPER WITH 1/2" ARMAFLEX INSULATION. CONDENSATE MUST SLOPE MIN. 1/8" PER FOOT TO TERMINATION POINT. CONTRACTOR SHALL INSTALL A CONDENSATE LIFT PUMP IN ORDER TO ROUTE CONDENSATE ABOVE CEILING.

**MECHANICAL FLOOR PLAN**

SCALE: 1/4"=1'-0"

GC TO HIRE VENTILATION CLEANING CONTRACTOR CERTIFIED BY NATIONAL AIR DUCT CLEANERS ASSOCIATION (NADCA) TO CLEAN ALL EXISTING DUCTWORK THAT IS TO REMAIN.

**TOTAL AIR BALANCE SCHEDULE**

EQUIPMENT MARK	ACH1 (EXIST)	ACH2 (NEW)	ACH3 (NEW)	ACH4 (NEW)	ACH5 (NEW)	AHU#1 (EXIST)	EF#1 (NEW)	EF#2 (NEW)	EF#3 (NEW)	TOTAL
SERVES	KITCHEN	SIDE DINING	DRIVE THRU	MAIN DINING	PLAY AREA	BOH	HOOD#L	HOOD#2	REST-ROOMS	
SUPPLY AIR CFM	8,000	2,830	4,000	2,765	1,800	625				20,020
RETURN AIR CFM	6,200	2,080	3,000	2,165	1,500	600				15,545
OUTSIDE AIR CFM	1,800	750	1,000	600	300	25	1,913	1,402	400	+4,475
EXHAUST CFM										
PRESSURIZATION										+760
REMARKS	ADJUST AND VERIFY BALANCE OF ALL HVAC EQUIPMENT IS AS SHOWN IN ORDER TO MAINTAIN BUILDING AIR BALANCE.									

**KITCHEN AIR BALANCE SCHEDULE**

EQUIPMENT MARK	ACH1 (NEW)	AHU#1 (EXIST)	EF#1 (NEW)	EF#2 (NEW)	TOTAL
OUTSIDE AIR CFM	1,800	25			+1,825
TRANSFER AIR CFM	700				+700
EXHAUST CFM			1,913	1,402	-3,315
PRESSURIZATION					-790

AIR IS TRANSFERRED FROM DINING AREA (NEAREST TO AC#3) TO KITCHEN. KITCHEN IS NEGATIVE TO KEEP COOKING OODS WITHIN THE KITCHEN SPACE. THE OVERALL BUILDING AND DINING SPACE IS KEPT POSITIVE TO PREVENT INFILTRATION. POSITIVE VALUE +790 ON THE TOTAL AIR BALANCE SCHEDULE IS THE EXFILTRATION FOR THE BUILDING.

**DINING AIR BALANCE SCHEDULE**

EQUIPMENT MARK	ACH2 (NEW)	ACH3 (NEW)	ACH4 (NEW)	ACH5 (NEW)	EF#3 (NEW)	TOTAL
OUTSIDE AIR CFM	750	1,000	600	300		+2,650
TRANSFER AIR CFM		-790				-790
EXHAUST CFM					400	-400
PRESSURIZATION						+1,460



Chick-fil-A

Chick-fil-A  
5200 Buffington Road  
Atlanta, Georgia 30349

Kurzynske & Associates  
CONSULTING ENGINEERS  
2705 Lebanon Pike - Suite One  
Nashville, Tennessee 37214  
Telephone: (615) 255-5203



**CHICK-FIL-A**  
Mercury Blvd.  
110 Market Place Dr.  
Hampton, VA 23666

**FSR#02240**

BUILDING TYPE / SIZE: S06C-R  
RELEASE:

**REVISION SCHEDULE**

NO.	DATE	DESCRIPTION
1	11/13/23	Building Comments
2	11/16/23	RCP Coordination

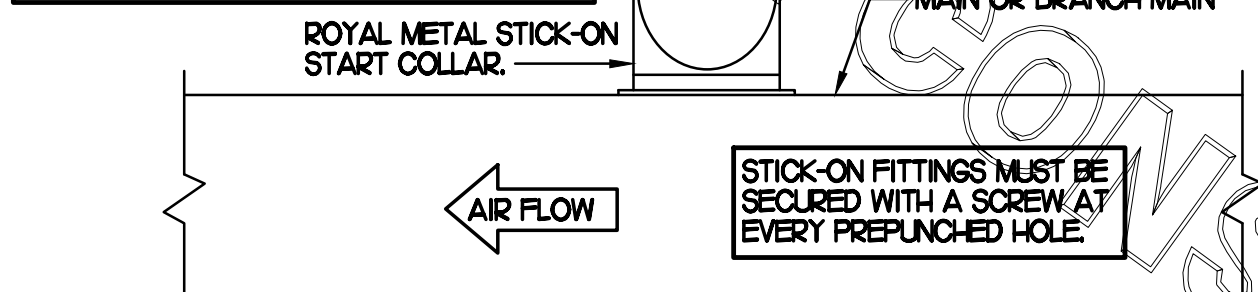
6 03/13/24 Construction Set  
CONSULTANT PROJECT # 23125.HF.R  
PRINTED FOR CONSTRUCTION  
DATE 08/09/2023  
DRAWN BY DSF

CONSTRUCTION  
MECHANICAL  
FLOOR PLAN  
SHEET NUMBER

**M1.1**

CHICK-FIL-A HAS A NATIONAL ACCOUNT WITH TOM BARRROW COMPANY FOR THE ROYAL METAL START COLLARS. THE MECHANICAL CONTRACTOR IS REQUIRED TO PURCHASE THE ROYAL METAL START COLLARS DIRECTLY FROM TOM BARRROW COMPANY. CONTACT MR. SCOTT GEORGE AT 404-351-0100 FOR PRICING AND AVAILABILITY. ROYAL METAL START COLLARS NOT PURCHASED THRU TOM BARRROW COMPANY WILL NOT BE ACCEPTED.

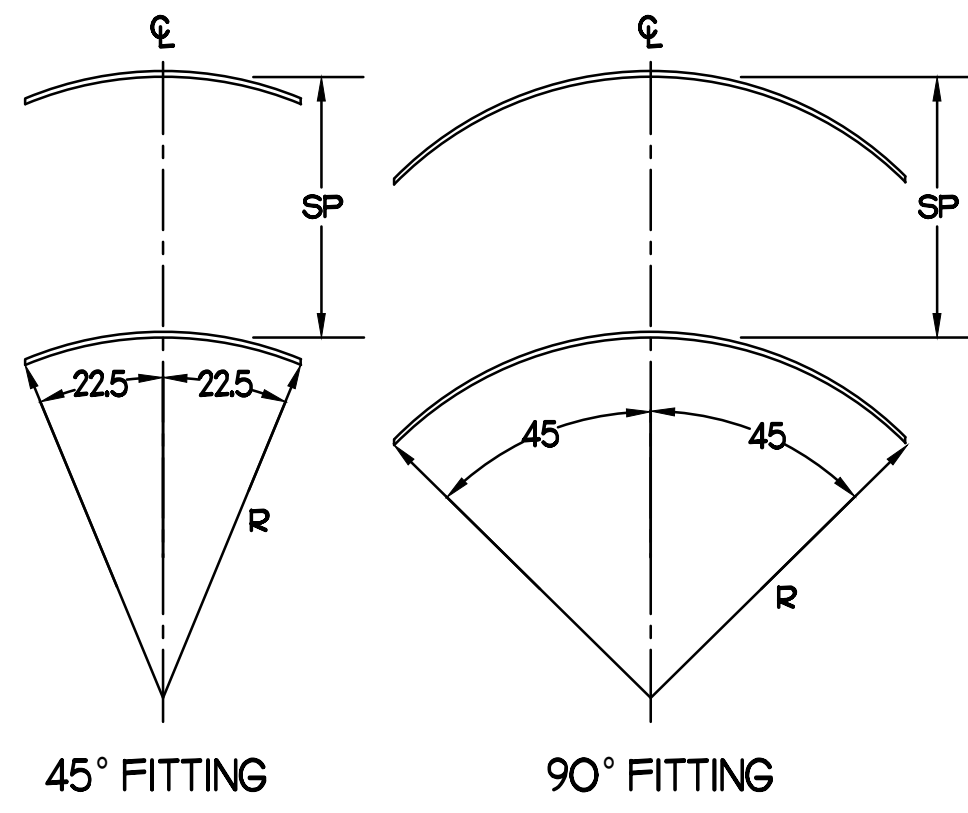
DAMPER CONTROL HANDLE MUST BE LEFT EXPOSED, LOCATED ON THE LEFT OR RIGHT SIDE WHEN INSTALLED ON HORIZONTAL DUCTS, AND LOCATED ON THE BOTTOM WHEN INSTALLED ON VERTICAL DUCTS. DAMPER CONTROL HANDLES NOT INSTALLED IN THE CORRECT ORIENTATION AS SPECIFIED ABOVE WILL NOT BE ACCEPTED. ATTACH A YELLOW FLUORESCENT CONSTRUCTION RIBBON TO THE HANDLE RIBBON MUST BE 12" LONG AND BE EASILY IDENTIFIABLE FOR TEST AND BALANCE CONTRACTOR.



**TURNING VANE SCHEDULE**

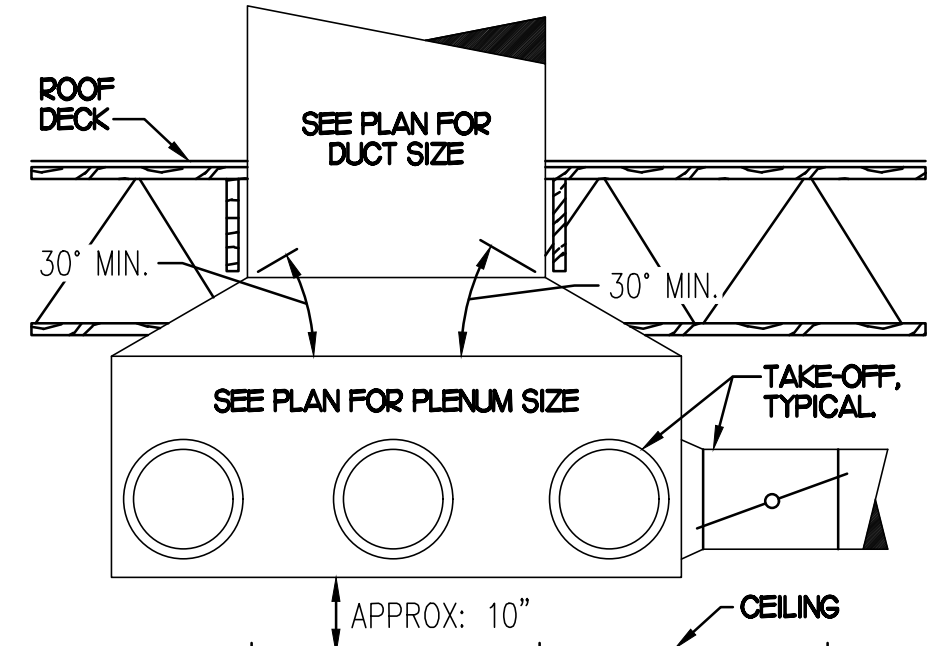
R	SP	GA
2"	15"	24

1) NO TRAILING EDGE  
2) SINGLE THICKNESS CONSTRUCTION



**3 TURNING VANES**  
NO SCALE

**5 RETURN DROP GEOMETRY**  
NO SCALE



**AIR DOOR SCHEDULE**

MARK	CFM	VELOCITY	HEATING CAP	HP	AREA SERVED	MODEL	MANUFACTURER	REMARKS
ADH (NEW)	1543	2398	10 KW	3/4	DRIVE THRU	CHA-148E	POWERED-AIRE	2-5
AD2 (NEW)	3,867	4,220	NA	3/4	REAR DOOR	RBT-148	POWERED-AIRE	1
AD3 (NEW)	2,899	4,220	NA	3/4	DRIVE THRU DOOR	RBT-136	POWERED-AIRE	1

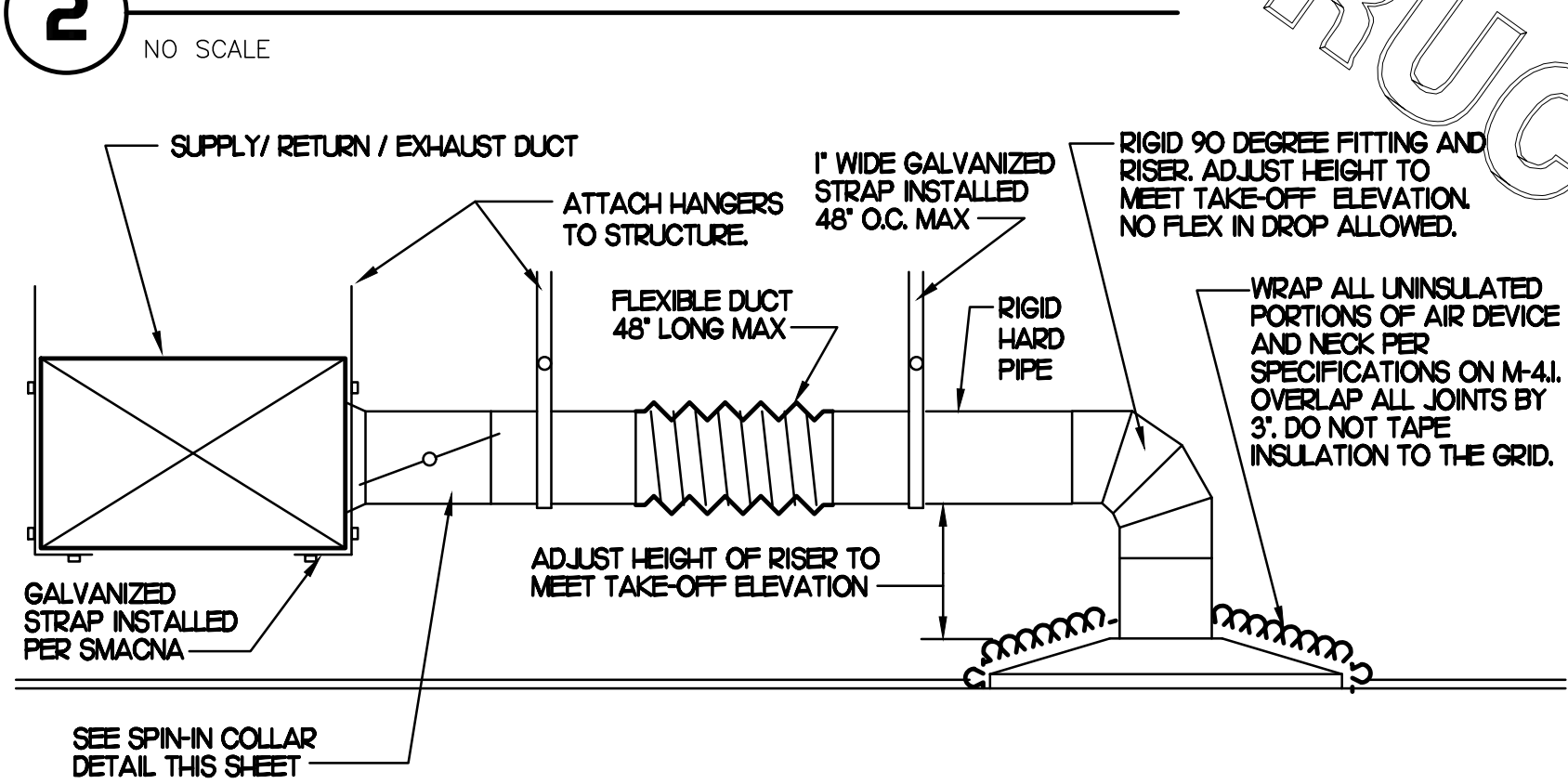
**NOTES**

- CHICK-FIL-A HAS A NATIONAL ACCOUNT WITH TOM BARRROW COMPANY FOR THE AIR DOORS. THE MECHANICAL CONTRACTOR SHALL PURCHASE THE AIR DOORS DIRECTLY FROM TOM BARRROW COMPANY. CONTACT MR. SCOTT GEORGE AT 404-351-0100, FOR PRICING AND AVAILABILITY. AIR DOORS NOT PURCHASED THRU TOM BARRROW COMPANY WILL NOT BE ACCEPTED.

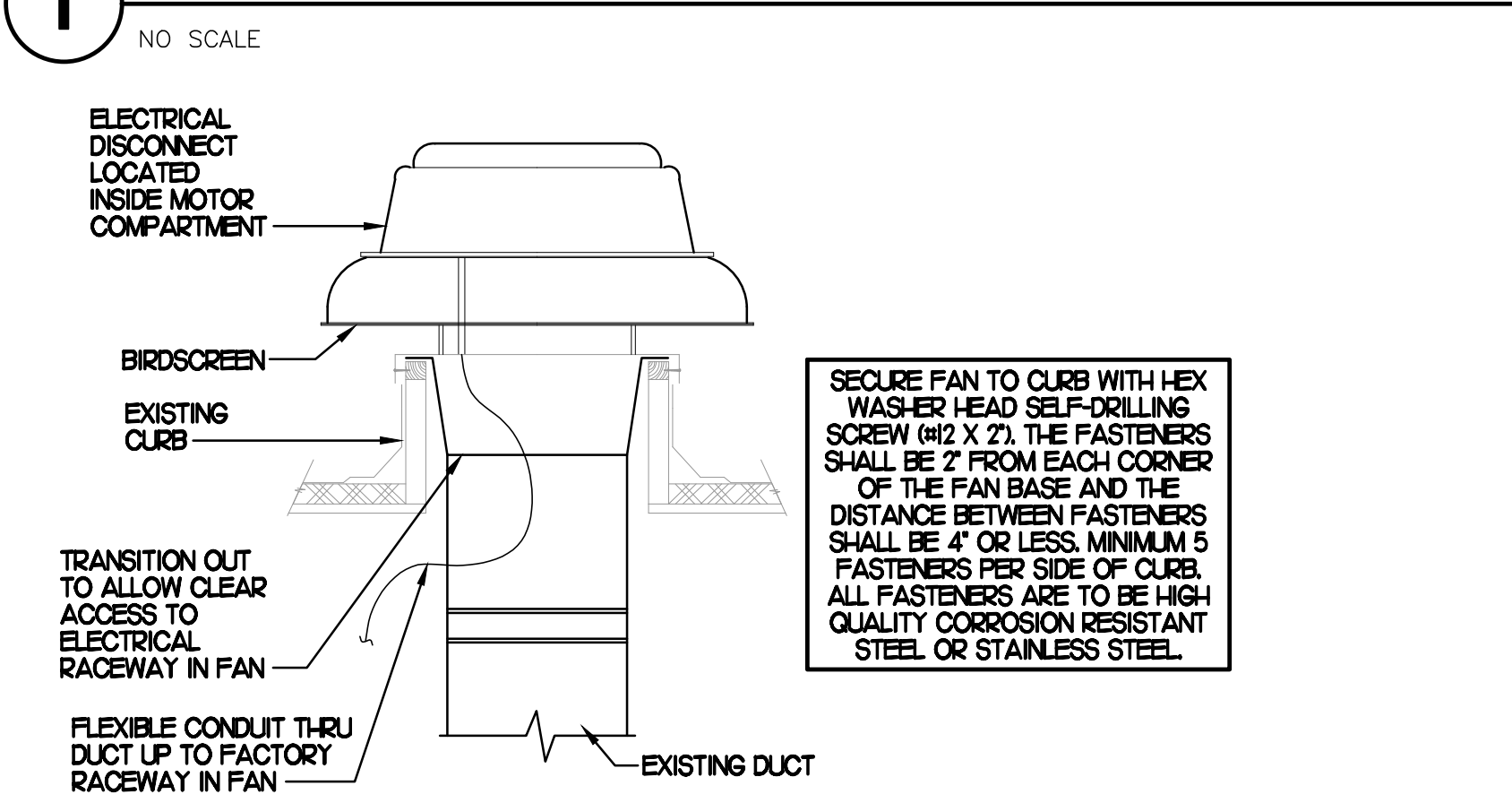
**REMARKS**

- FACTORY PROVIDED MAGNETIC DOOR CONTACT WITH FACTORY INSTALLED LOW VOLTAGE CONTROLS LOCATED IN AIR DOOR CABINET.
- FACTORY PROVIDED, WIRED, AND UNIT MOUNTED SPEED CONTROLLER LOCATED ABOVE CEILING.
- FACTORY WIRED DISCONNECT.
- FACTORY PROVIDED, FIELD INSTALLED REMOTE WALL SWITCHES FOR HEATING ON/OFF AND FAN ON/AUTO SWITCH. SEE AIR CURTAIN WIRING DIAGRAM DETAIL THIS SHEET.
- PROVIDE WITH DIVERTER BOX FROM TOM BARRROW COMPANY. PROVIDE WITH MOUNTING BRACKETS PER MANUFACTURER'S RECOMMENDATIONS. INSTALL PER MANUFACTURER'S MOUNTING INSTRUCTIONS.

**2 START COLLAR**  
NO SCALE



**1 SAG/RAG/GRILLE TAKE-OFF**  
NO SCALE



**6 RESTROOM EXHAUST FAN**  
NO SCALE

**VENTILATION CALCULATIONS**

ZONE	PEOPLE OUTDOOR AIR RATE (OP)	ZONE POPULATION (PZ)	AREA OUTDOOR AIR RATE (OA)	ZONE FLOOR AREA (AZ)	OUTDOOR AIRFLOW RATE REQD (VBZ)
CORRIDOR (ENTRYWAYS)	-	-	0.06	115	7
DINING (FAST FOOD)	75	160	0.18	1,593	1,487
SALES (SERVING AREA)	75	10	0.12	64	149
OFFICE	5	1	0.06	60	9
STORAGE 1	-	-	0.12	248	30
STORAGE 2	-	-	0.12	160	20
KITCHEN	75	26	0.12	1,259	347

KITCHEN IS 1,259 SQUARE FEET. AT 0.70 CFM EXHAUST REQUIRED PER SQUARE FOOT, KITCHEN IS REQUIRED TO EXHAUST 882 CFM. KITCHEN EXHAUSTS 3,315 CFM.

RESTROOMS HAVE TWO FIXTURES EACH, REQUIRING 100 CFM EXHAUST CONTINUOUSLY OR 140 CFM EXHAUST INTERMITTENTLY. EACH RESTROOM EXHAUSTS 200 CFM.

ZONE 1 - ENTRYWAYS + DINING + SALES + STORAGE 2 = 1,663 CFM  
1,633 CFM (VBZ) / 0.8 = 2,079 CFM (VOZ)  
AC#2, AC#3, AC#4, AND AC#5 PROVIDE 2,650 CFM OUTSIDE AIR TO ZONE 1.

ZONE 2 - OFFICE + STORAGE 1 + KITCHEN = 386 CFM  
386 CFM (VBZ) / 0.8 = 483 CFM (VOZ)  
ACH#1 AND ACH#4 PROVIDE 1,825 CFM OUTSIDE AIR TO ZONE 2.

CALCULATIONS ARE BASED ON TABLE 4.03.3.1 OF THE 2018 INTERNATIONAL MECHANICAL CODE. (FOR ZONE OA RATE: VBZ + RP#PZ + RA#AZ + 1) (FOR ZONE OA RATE: VOZ + VBZ / 0.8)

**EXHAUST FAN SCHEDULE**

MARK	CFM	ESP	RPM	TIP SPEED (FPM)	HP (WATTS)	AREA SERVED	MODEL	MANUFACTURER	REMARKS
EF#1 (NEW)	1,913	0.75	1,331	5,226	3/4	HOOD#1 & HOOD#R	150 CFS	LOREN COOK	H-2
EF#2 (NEW)	1,402	0.95	1,199	4,708	3/4	HOOD#2 & HOOD#S	150 CFS	LOREN COOK	H-2
EF#3 (NEW)	400	0.375	1,433	3,423	1/8	RESTROOMS	ACED 90CSDH	LOREN COOK	2,313-18

**NOTES**

- GREASE EXHAUST FAN RPM BASED ON 80 DEGREE F AIR AT 1000 FEET ABOVE SEA LEVEL.
- GREASE EXHAUST FANS TO BE UL L762 LISTED.
- CHICK-FIL-A HAS A NATIONAL ACCOUNT WITH TOM BARRROW COMPANY FOR FAN/CURB PACKAGE. MECHANICAL CONTRACTOR IS REQUIRED TO PURCHASE THE FAN/CURB PACKAGE DIRECTLY FROM TOM BARRROW COMPANY. CONTACT MR. SCOTT GEORGE AT 404-351-0100 FOR PRICING AND AVAILABILITY. FANS AND CURBS NOT PURCHASED THRU TOM BARRROW COMPANY WILL NOT BE ACCEPTED.

**REMARKS**

- PROVIDE AND INSTALL ROOFTOP SOLUTIONS G2 DRIP GUARD. MC. TO CONTACT ROOFTOP SOLUTIONS AT 800-913-7034
- PROVIDE FACTORY INSTALLED, PRE-WIRED, NEMA 3 NON-FUSED DISCONNECT. COORDINATE WITH E.C.
- INTEGRAL THERMAL OVERLOAD WITH AUTOMATIC RESET.
- UPBLAST, ARRANGEMENT 10, CCW ROTATION. SEE PLANS TO CONFIRM CONFIGURATION.
- PROVIDE FACTORY STEEL FAN WHEEL.
- PROVIDE FACTORY STEEL INLET FLANGE AND INLET COMPANION FLANGE.
- PROVIDE FACTORY WEATHER HOUSING W/ HINGED ACCESS DOOR.
- PROVIDE FACTORY DRAIN CONNECTION.
- PROVIDE FACTORY BOLTED ACCESS DOOR ON SCROLL.
- PROVIDE FACTORY STEEL OUTLET COMPANION FLANGE.
- UTILITY SET FAN CURB AND ASSOCIATED EXHAUST DUCT CURB PROVIDED BY TOM BARRROW COMPANY.
- PROVIDE FACTORY BELT DRIVE WITH ADJUSTABLE MOTOR S-SHAFT AND SPARE BELT.
- PROVIDE BIRDSCREEN.
- STARTER BY ELECTRICAL CONTRACTOR. INTERLOCK WITH LIGHTS BY ELECTRICAL CONTRACTOR.
- PROVIDE FACTORY INSTALLED AND WIRED SPEED CONTROLLER.
- EXISTING BACKDRAFT DAMPER IN DUCT TO BE RE-USED.
- EXISTING ROOF CURB IS BEING RE-USED FOR NEW FAN.
- PROVIDE WITH FACTORY TIE-DOWN EYELETS.

**DUCTLESS SPLIT SYSTEM HEAT PUMP UNIT SCHEDULE**

MARK	COOLING CAPACITY (MBH)		HEATING CAPACITY (MBH)		EFFICIENCIES		FAN SECTION (CFM)		ELECTRICAL DATA		R-410A MODEL	MFR	
	MIN	MAX	MIN	MAX	SEER	HSPFF	AIR FLOW (MET)	NCA (MOCP)	VOLTAGE	AHU			CU
AH#2/CL#2 (NEW)	180	335	180	400	16.2	10.0	635-730-830	28	140	208V/160	PKA-A36KA7	PLZ-H436H45	MITSUBISHI

**NOTES**

- MECHANICAL CONTRACTOR SHALL PURCHASE THE SPLIT SYSTEM HEAT PUMP DIRECTLY FROM TRANE/MITSUBISHI. CONTACT MR. SCOTT ROWLEY AT 630-200-7155, FOR PRICING AND AVAILABILITY. EMAIL AT CFA@TRANE.COM

**REMARKS**

- ELECTRICIAN TO PROVIDE NON-FUSED DISCONNECT.
- MECHANICAL TO PROVIDE AND INSTALL REFRIGERANT PIPING AS PER MFR RECOMMENDATIONS.
- PROVIDE ENGRAVED PLASTIC LABEL AT AHU AND CU WITH 1" HIGH WHITE LETTERS ON A BLACK BACKGROUND RIVETED TO UNIT CABINET.
- PROVIDE WITH ADEQUATE REFRIGERANT LINE SET. FIELD VERIFY DISTANCE FROM WHERE CONDENSER IS TO BE SET TO AIR HANDLER LOCATION PRIOR TO ORDERING.
- PROVIDE WITH WALL MOUNTED THERMOSTAT (TAR-CT01MAL-SB). USE TWO-WIRE, STANDARD, NON-POLAR CONTROL WIRE TO CONNECTOR TB5 ON INDOOR UNIT CONTROLLER. PROGRAM THERMOSTAT CONTROLS TO MATCH DRIVE-THRU RTU SETPOINTS.
- PROVIDE PAC-SE55RA-E CONNECTOR AT INDOOR UNIT (CONNECTOR CH3), WIRE ORANGE AND RED WIRES TO SPARE POLE ON RELAY R-1 IN SLNCOAST T-500 PANEL. (TERMINALS 11 AND 7 RESPECTIVELY) AND CAP THE BROWN WIRE.
- PROVIDE WITH CONDENSATE PUMP (BLUE DIAMOND MAX) BLUE MODEL# X67-721).

**GAS FIRED ROOFTOP UNIT SCHEDULE**

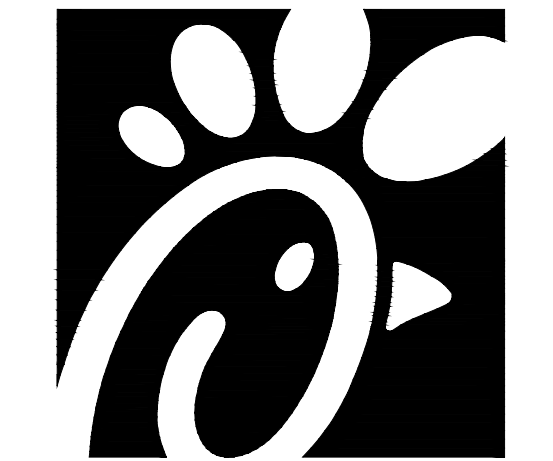
MARK	COOLING CAPACITY (MBH)		HEATING CAPACITY (MBH)		FAN SECTION (CFM)			MODEL	MANUFACTURER	REMARKS		
	TOTAL	SENS	INPUT	OUTPUT	STAGES	SUPPLY	O.A.				HP	ESP
ACH (EXIST)	-	-	-	-	-	8,000	1,800	-	-	EXISTING		
ACH2 (NEW)	96.6	67.6	240.0	194.0	2	2,830	750	3.75	0.8	LGT1024HE	LENNOX	H214-17
ACH3 (NEW)	129	89.0	240.0	194.0	2	4,000	1,000	3.75	0.8	LGT1204HE	LENNOX	H214-17
ACH4 (NEW)	93.1	64.8	240.0	194.0	2	2,765	600	3.75	0.8	LGT0924HE	LENNOX	H214-17
ACH5 (NEW)	61.6	44.4	150.0	120.0	2	1,800	300	1.0	0.8	LGT0604HE	LENNOX	HJ13-17

**NOTES**

- COOLING CAPACITIES ARE GROSS, BASED ON INDOOR EDB 80F, INDOOR EWB 67F, OUTDOOR EDB 95F.
- FOR PROPER BUILDING AIR BALANCE, VERIFY AMOUNT OF OUTSIDE AIR PROVIDED BY ALL EXISTING UNITS. ADJUST AS PER SCHEDULE IF NECESSARY.
- VERIFY MIN 10' DISTANCE OF O.A. INTAKE OPENINGS OF A/C UNITS FROM ANY EXISTING SOURCE OF AIR POLLUTION (EXHAUST FAN, COMBUSTION FLE, VENT ETC). IF SUCH CONDITIONS EXIST, CONTRACTOR IS REQUIRED TO DUCT OUTSIDE AIR INTAKE ON ROOF AWAY FROM ANY SUCH SOURCE.

**REMARKS**

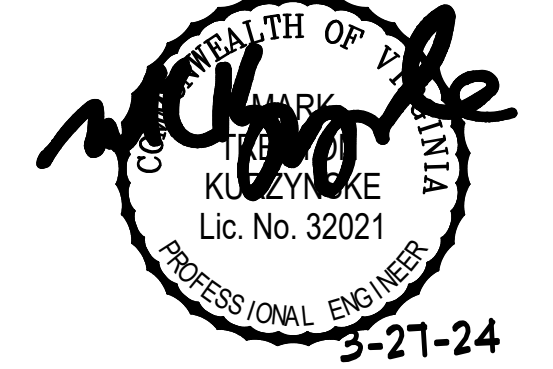
- PROVIDE DIFFERENTIAL ENTHALPY ECONOMIZER WITH POWER EXHAUST. ECONOMIZER TO BE LOW LEAKAGE/HIGH PERFORMANCE.
- SEE DETAIL 2/M41 FOR SETTING OF PRODIGY M3 BOARD CONTROL PARAMETERS BY MC.
- PROVIDE FACTORY INSTALLED AND UNIT POWERED 15V GFI SERVICE OUTLET.
- PROVIDE FACTORY INSTALLED RETURN SIDE SMOKE DETECTOR.
- PROVIDE FACTORY INSTALLED NON-FUSED DISCONNECT.
- PROVIDE 2" MERV 8 THROW AWAY FILTERS.
- PROVIDE HINGED PANELS FOR FILTER ACCESS, FAN MOTOR ACCESS, COMPRESSOR ACCESS AND CONTROL COMPARTMENT ACCESS.
- ADJUST GAS MANIFOLD PRESSURE AT LOCATIONS WHERE ELEVATION EXCEEDS 2000' ABOVE SEA LEVEL AS RECOMMENDED BY MANUFACTURER.
- PROVIDE FACTORY INSTALLED COIL HAIL GUARD.
- PROVIDE HUMIDITROL OPTION WITH FACTORY WALL MOUNTED HUMIDITY SENSOR.
- PROVIDE WITH FACTORY CONDENSATE DRAIN PAN OVERFLOW SWITCH.
- PROVIDE WITH FACTORY RETURN AIR ADAPTER PLATE.
- PROVIDE WITH ADAPTER CURB, UNIT BEING REPLACED IS LENNOX MODEL LG6A06H. ADAPTER CURB IS PROVIDED BY LENNOX AS PART OF THE TOTAL EQUIPMENT PACKAGE.
- PROVIDE WITH MSAV BLOWER.
- PROVIDE FACTORY CONFIGURED PHASE LOGS PROTECTION.
- PROVIDE HIGH FALLT SCOR (100K).
- PROVIDE FACTORY RTU CURB RESTRAINT CLIPS. EXISTING CURB IS BEING RE-USED FOR NEW RTU.



Chick-fil-A

Chick-fil-A  
5200 Buffington Road  
Atlanta, Georgia 30349

Kurzynske & Associates  
CONSULTING ENGINEERS  
2705 Lebanon Pike - Suite One  
Nashville, Tennessee 37214  
Telephone: (615) 255-5203



**CHICK-FIL-A**  
Mercury Blvd.  
110 Market Place Dr.  
Hampton, VA 23666

**FSR#02240**

BUILDING TYPE / SIZE: S06C-R  
RELEASE:

**REVISION SCHEDULE**

NO.	DATE	DESCRIPTION
1	11/13/23	Building Comments
3	12/14/23	Bid Set Update

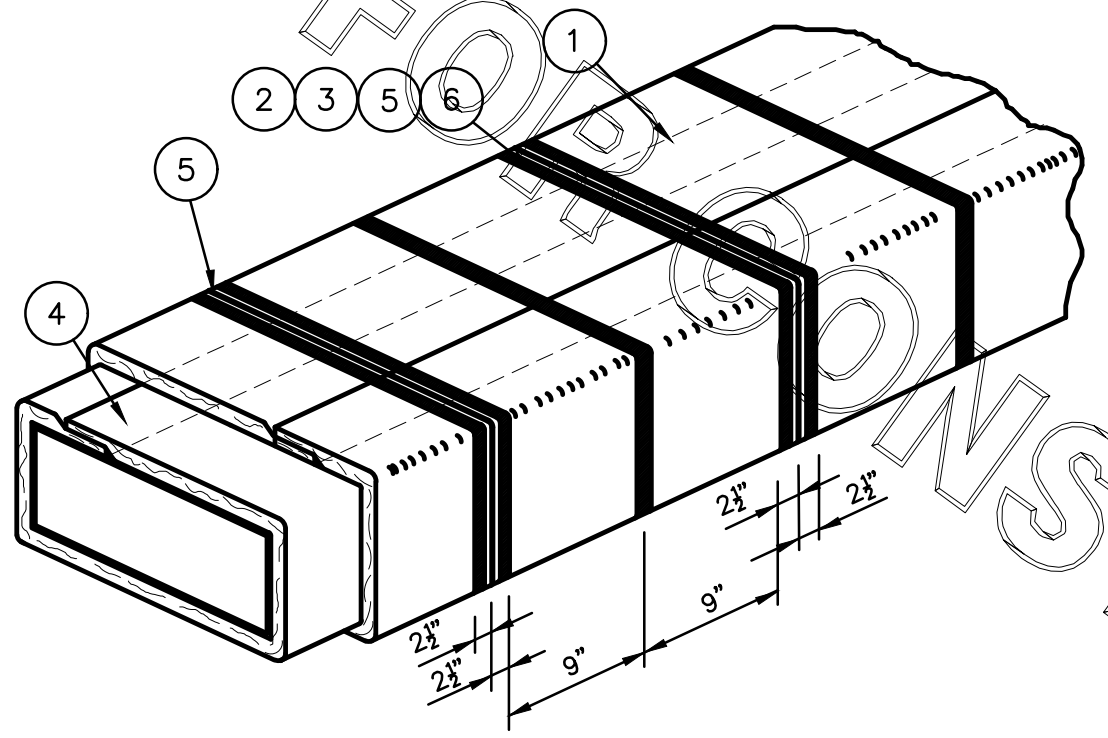
CONSULTANT PROJECT # 23125.HF.R  
PRINTED FOR CONSTRUCTION  
DATE 08/09/2023  
DRAWN BY DSF

Information contained on this drawing and in all digital files produced for above named project may not be reproduced in any manner without express written or verbal consent from authorized project representatives.  
SHEET  
MECH DETAILS & SCHEDULES  
SHEET NUMBER

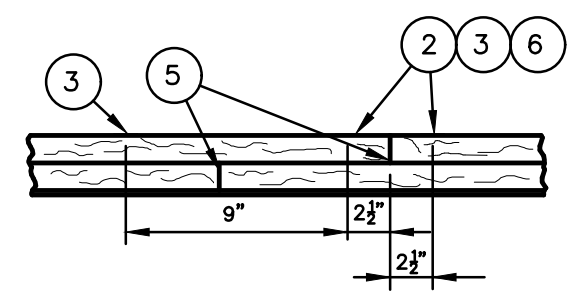
**M3.1**



FyreWrap® Elite™ 1.5 Duct Insulation  
 Commercial Kitchen Grease Duct System  
 ASTM E 2336/ICCES AC101 System  
 1 and 2 Hour Fire-Rated Enclosure, Shaft Alternative  
 Zero Clearance to Combustibles  
 Intertek Design No. UNI/BI 120-02  
 Butt Joint System (Both Layers, Max. 24"x24" Duct)



**INSTALLATION METHOD:**



- LEGEND:**
- 1 FyreWrap Elite 1.5 Duct Insulation, Two Layers
  - 2 Each 1/2" Total Thickness - 3"
  - 3 Filament Tape (Temporary Hold)
  - 4 1/2" Carbon or SS Banding Straps (Permanent Hold)
  - 5 3" Minimum Longitudinal Overlap
  - 6 3" Compressed Butt Joint
  - 7 1/2" Wide Aluminum Foil Tape at 90 Degree Transverse Butt Joints

Revision	Comments

SUBJECT: \_\_\_\_\_  
 LOCATION: \_\_\_\_\_  
 BLDG. NO.: \_\_\_\_\_ DATE: 04-05-2018 DRAWING NO. FP-693  
 DRAWN: S.A. RUSTAY APPROVAL: \_\_\_\_\_  
 SCALE: N.T.S. SHEET NO. \_\_\_\_\_ PROJECT NO. \_\_\_\_\_

**KITCHEN HOOD SYSTEMS NOTES**

- CHICK-FIL-A MAINTAINS A NATIONAL ACCOUNT WITH HALTON CO. FOR THE HOODS. CHICK-FIL-A WILL PURCHASE AND PROVIDE THE HOODS FOR INSTALLATION BY THE MECHANICAL CONTRACTOR. THE MECHANICAL CONTRACTOR SHALL BE RESPONSIBLE FOR RECEIVING THE HOODS. CONTACT HALTON CO. AT 270-237-5600 FOR MORE INFO.
- THE FIRE SUPPRESSION SYSTEM SHALL CONSIST OF A COMPLETE WET ANSUL SYSTEM FURNISHED BY HALTON. THE HOOD SHALL BE FURNISHED PRE-PIPED BY HALTON.
- THE R-102 ANSUL FIRE SUPPRESSION SYSTEM EXTERNAL TO THE HOODS SHALL BE INSTALLED IN ACCORDANCE WITH HOOD MANUFACTURER'S SHOP DRAWINGS BY AN AUTHORIZED ANSUL SYSTEM INSTALLER SELECTED AND HIRED BY HALTON. COST FOR ANSUL INSTALLATION INCLUDED IN PRICE OF HOODS TO CFA.
- HOOD EXHAUST DUCTWORK SHALL BE 16 GA. BLACK STEEL WITH CONTINUOUS LIQUID TIGHT WELD OF JOINTS & SEAMS.
- TURNS IN GREASE EXHAUST DUCTWORK SHALL BE LONG RADIUS TYPE, WITH A CENTERLINE RADIUS R=3W/2, NO EXCEPTIONS ALLOWED. NO MITERED FITTINGS ALLOWED.
- ALL STAINLESS STEEL CLOSURE PANELS SHALL BE SUPPLIED BY HOOD MANUFACTURER AND INSTALLED BY THE MECHANICAL CONTRACTOR ACCORDING TO MANUFACTURER'S RECOMMENDATIONS.
- SLOPE ALL GREASE EXHAUST DUCT BACK TO HOOD AT 1/4" PER FOOT OF RUN.
- WRAP NEW GREASE DUCT WITH UNIFRAX FyreWRAP. INSULATION ON ACCESS DOORS SHALL BE INSTALLED ACCORDING TO MANUFACTURER'S INSTALLATION RECOMMENDATIONS. UNIFRAX FyreWRAP PRODUCT USED SHALL MEET LOCAL CODE REQUIREMENTS.
- SUPPORT HOODS WITH THREADED ROD AT EACH FACTORY SUPPORT POINT. EACH SUPPORT POINT MUST SUPPORT THE HOOD WEIGHT EQUALLY. ATTACH TO STRUCTURE AS DETAILED ON STRUCTURAL DRAWINGS. ATTACH HOOD TO WALL AT 16" INTERVALS ALONG FULL LENGTH OF HOOD ON TOP AND BOTTOM. ATTACHMENT TO WALL REQUIRES FIELD DRILLING OF SUPPORT ANGLE AT BACK OF HOODS. EACH WALL ATTACHMENT POINT MUST OCCUR AT A WALL STUD. ATTACHMENT HARDWARE TO BE #12-24 HEX HEAD SHEET METAL SCREW EQUAL TO TEXTRON SDS EDT265, LENGTH AS REQUIRED TO FULLY PENETRATE THE STUD.
- MECHANICAL CONTRACTOR TO PROVIDE AND INSTALL SUNCOAST H.E.S. SYSTEM FOR ALL HOODS. SEE HOOD FAN/EQUIPMENT INTERLOCK WIRING DIAGRAM ON SHEET M4.1 FOR MORE INFORMATION.

**HOOD SCHEDULE**

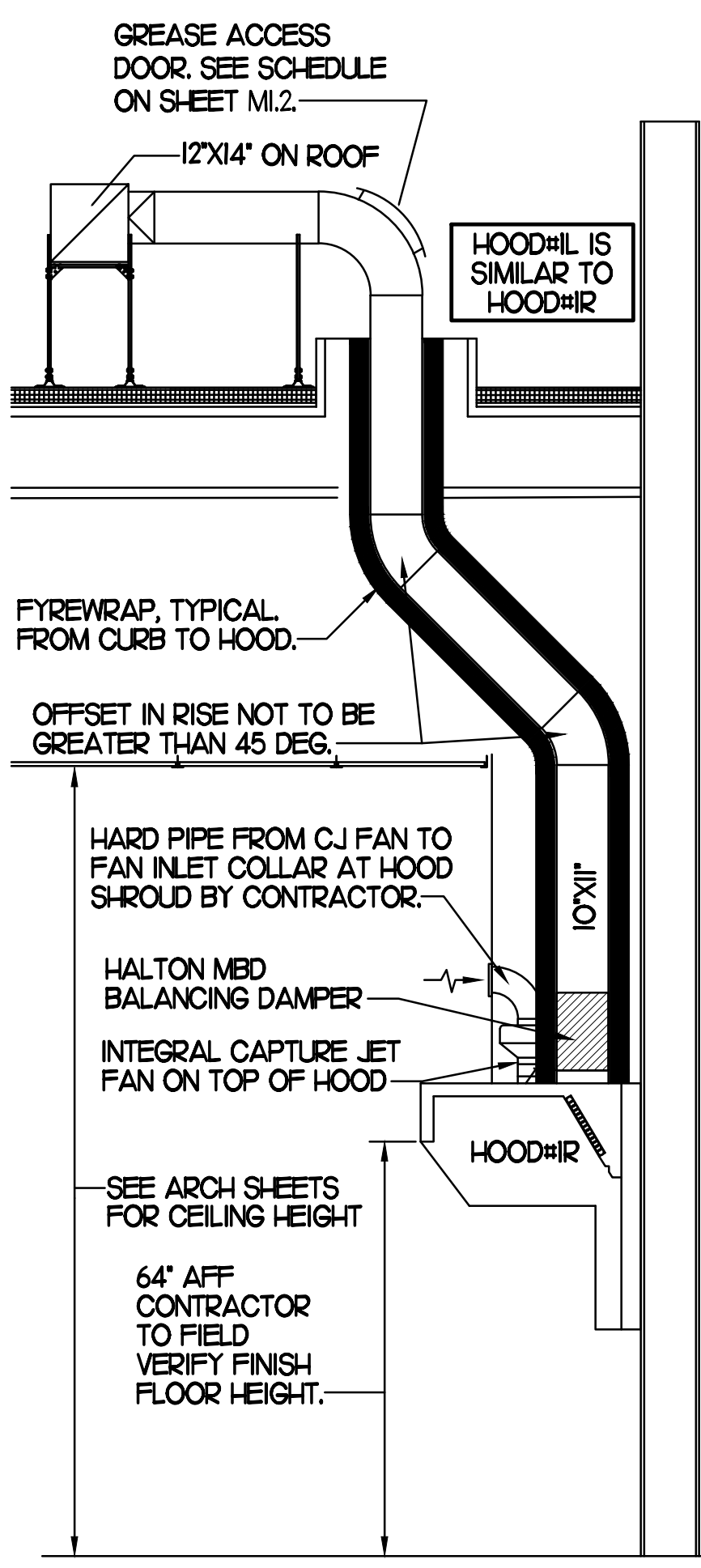
MARK	EXHAUST CFM	SP • TAB PORT	CAPTURE JET CFM & SP.	TYPE	COLLAR SIZE	WIDTH	DEPTH	HEIGHT	MANUFACTURER	MODEL	REMARKS
HOOD#1L	709	0.13'	47 • 0.30'	BACK SHELF	8'X8'	63"	37"	38"	HALTON	KVL-2	I
HOOD#1R	1204	0.13'	80 • 0.30'	BACK SHELF	10'X11"	107"	37"	38"	HALTON	KVL-2	I
HOOD#2	701	0.30'	30 • 0.29'	BACK SHELF	8'X8'	45"	34"	38"	HALTON	KVL-C	I
HOOD#3	701	0.30'	30 • 0.29'	BACK SHELF	8'X8'	42"	34"	38"	HALTON	KVL-C	I

NOTES: DIMENSIONS OF HOODS INCLUDE BACK AND SIDE SPACERS (HEIGHT DOES NOT INCLUDE CLOSURE PANELS).  
 REMARKS: I. HOOD SHOP DRAWINGS ARE INCLUDED FOR REFERENCE ON SHEETS M-1.1. REFER TO SHOP DRAWINGS FOR HOOD OPTIONS AND CONSTRUCTION.

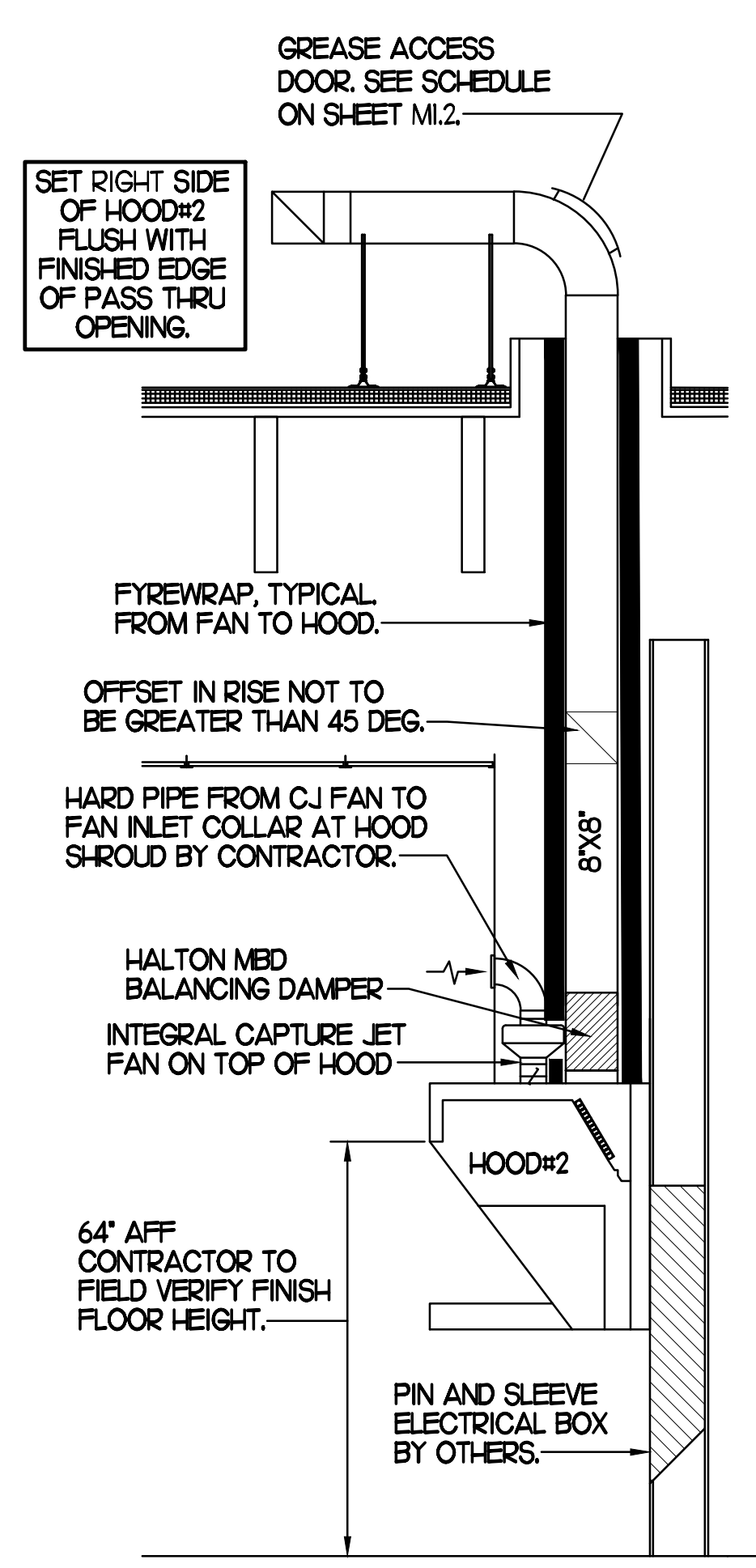
NOTE:  
SEE ARCHITECTURAL PLANS  
FOR HOOD LOCATIONS.

**CLEANOUT DOOR NOTE:**  
 DUCT WRAP SHALL BE APPLIED TO THE CLEANOUT DOOR PER THE WRAP MFR'S INSTALLATION INSTRUCTIONS, NO EXCEPTIONS. ALSO, THE CLEANOUT DOOR MUST BE REMOVABLE WITHOUT TOOLS AND MUST BE CLEARLY AND PERMANENTLY LABELED.

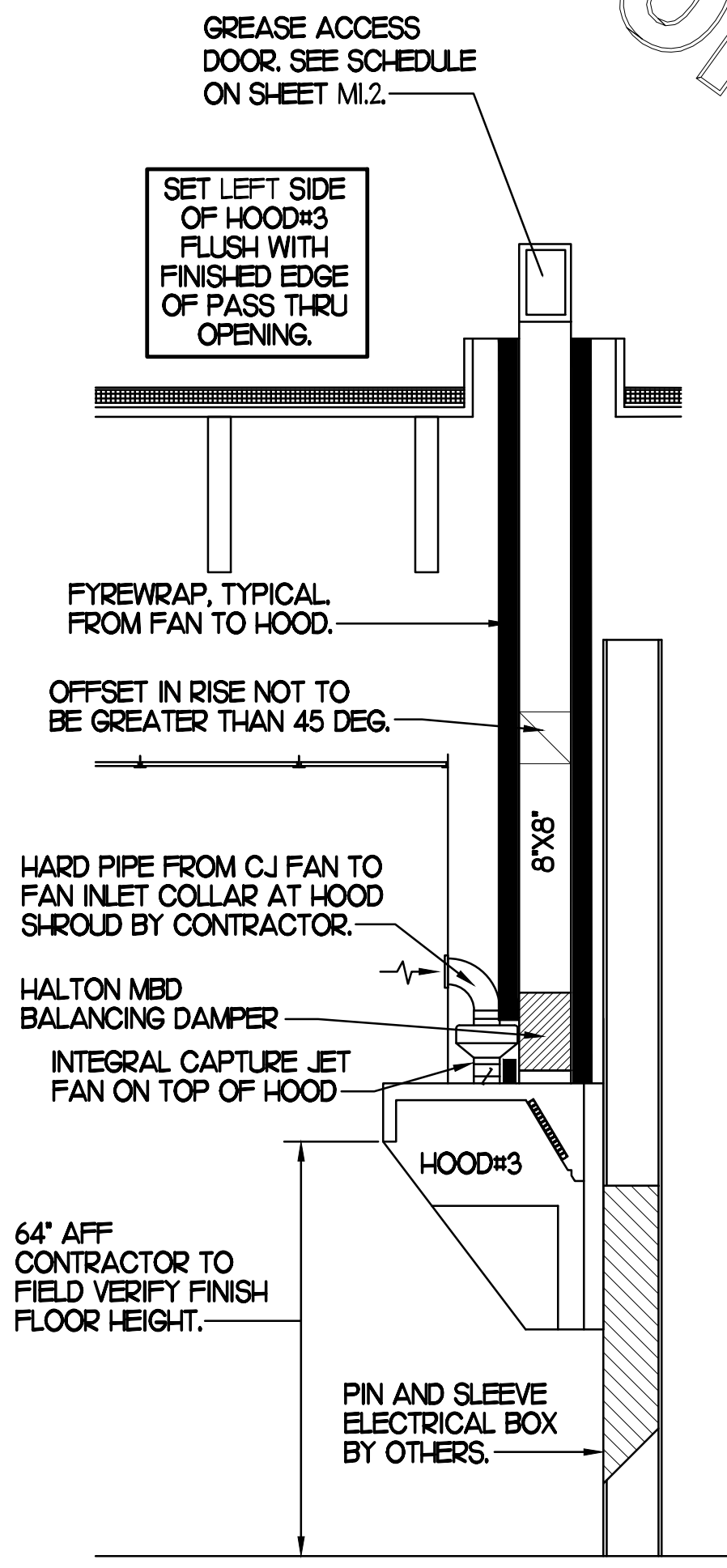
**GREASE EXHAUST DUCT CLEARANCE NOTE:**  
 CLEARANCES ABOVE CEILING ARE TIGHT. MECHANICAL CONTRACTOR TO FIELD VERIFY EXACT ROUTING AND CLEARANCES PRIOR TO FABRICATING GREASE EXHAUST DUCT.



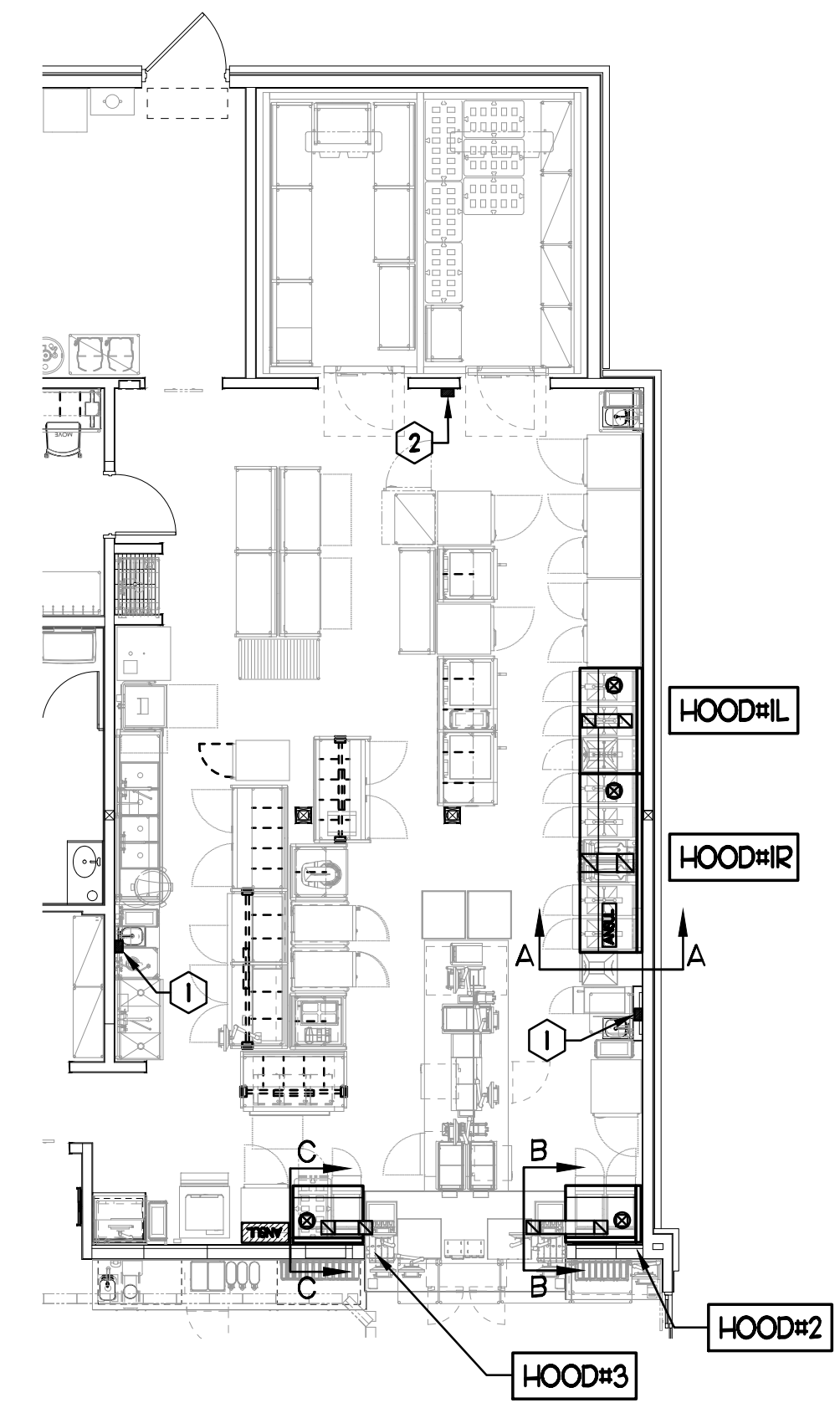
**SECTION "A-A"**



**SECTION "B-B"**



**SECTION "C-C"**

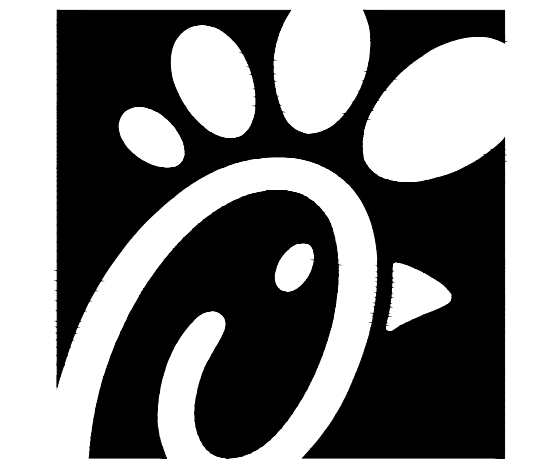


**KEY NOTES**

- ANSUL PULL STATIONS SERVING HOOD#2 AND HOOD#3. LOCATE ANSUL PULL STATION BETWEEN 42" AND 48" AFF. COORDINATE EXACT LOCATION WITH KITCHEN EQUIPMENT ELEVATIONS. J-BOX AND CONDUIT ARE BY ELECTRICAL. PROVIDE WHITE BAKELITE LABEL WITH 1/4" HIGH LETTERS INDICATING THE HOODS SERVED, I.E. "PASS-THRU HOODS". BOTH PULL STATIONS SERVE THE SAME REMOTE MOUNTED ANSUL TANKS.
- ANSUL PULL STATION SERVING HOOD#1L AND HOOD#1R. LOCATE ANSUL PULL STATION BETWEEN 42" AND 48" AFF. COORDINATE EXACT LOCATION WITH KITCHEN EQUIPMENT ELEVATIONS. J-BOX AND CONDUIT ARE BY ELECTRICAL. PROVIDE WHITE BAKELITE LABEL WITH 1/4" HIGH LETTERS INDICATING THE HOODS SERVED, I.E. "MAIN COOKLINE HOODS".

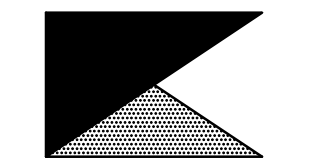
**3 HOOD ELEVATIONS**

**1 HOOD LAYOUT**



Chick-fil-A

Chick-fil-A  
 5200 Buffington Road  
 Atlanta, Georgia 30349



Kurzynske & Associates  
 CONSULTING ENGINEERS  
 2705 Lebanon Pike - Suite One  
 Nashville, Tennessee 37214  
 Telephone: (615) 255-5203



**CHICK-FIL-A**  
 Mercury Blvd.  
 110 Market Place Dr.  
 Hampton, VA 23666

**FSR#02240**

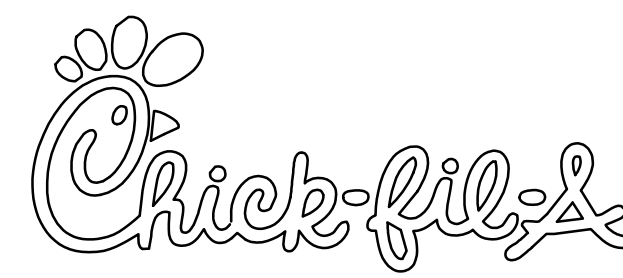
BUILDING TYPE / SIZE: S06C-R  
 RELEASE:

NO.	DATE	DESCRIPTION

CONSULTANT PROJECT # 23125.HF.R  
 PRINTED FOR CONSTRUCTION  
 DATE 08/09/2023  
 DRAWN BY DSF

Information contained on this drawing and in all digital files produced for above named project may not be reproduced in any manner without express written or verbal consent from authorized project representatives.  
 SHEET  
 HOOD DETAILS & SCHEDULES  
 SHEET NUMBER

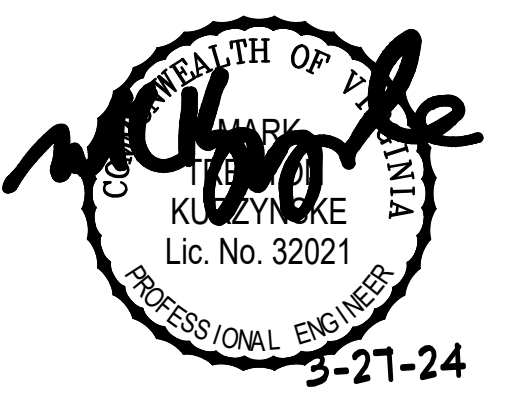
**M2.1**



**Chick-fil-A**  
 5200 Buffington Road  
 Atlanta, Georgia 30349



**Kurzynske & Associates**  
 CONSULTING ENGINEERS  
 2705 Lebanon Pike - Suite One  
 Nashville, Tennessee 37214  
 Telephone: (615) 255-5203



**CHICK-FIL-A**  
 Mercury Blvd.  
 110 Market Place Dr.  
 Hampton, VA 23666

**FSR#02240**

BUILDING TYPE / SIZE: S06C-R  
 RELEASE:

REVISION SCHEDULE		
NO.	DATE	DESCRIPTION

CONSULTANT PROJECT #	23125.HF.R
PRINTED FOR	CONSTRUCTION
DATE	08/09/2023
DRAWN BY	DSF

Information contained on this drawing and in all digital files produced for above named project may not be reproduced in any manner without express written or verbal consent from authorized project representatives.

SHEET  
 MECH & ENVELOPE  
 COMCHECK  
 SHEET NUMBER

**M6.1**

**COMcheck Software Version 4.1.5.1**  
**Mechanical Compliance Certificate**

**Project Information**

Energy Code: 2019 IECC  
 Project Title: Chick-fil-A #2240  
 Location: Hampton, Virginia  
 Climate Zone: 4a  
 Project Type: Addition

Construction Site: 110 Market Place Dr., Hampton, VA 23666  
 Owner/Agent: Chick-fil-A, 5200 Buffington Road, Atlanta, GA 30349  
 Designer/Contractor: Kurzynske & Associates, 2705 Lebanon Pike - Suite One, Nashville, TN 37214, (615) 255-5203

**Mechanical Systems List**

Quantity	System Type & Description
1	AC#2 (8.5 ton) (Single Zone): Heating: 1 each - Central Furnace, Gas, Capacity = 194 kBtu/h Proposed Efficiency = 81.00% EI, Required Efficiency: 80.00 % EI or 80% AFUE Cooling: 1 each - Single Package DX Unit, Capacity = 97 kBtu/h, Air-Cooled Condenser, Air Economizer Proposed Efficiency = 12.10 EER, Required Efficiency: 11.00 EER + 12.6 IEER Fan System: AC#2 (8.5 ton)   Dining - Compliance (Motor nameplate HP method) - Passes Fans: Supply Supply, Constant Volume, 2630 CFM, 3.8 motor nameplate hp, 0.0 fan efficiency grade Exhaust Exhaust, Constant Volume, 750 CFM, 0.3 motor nameplate hp, 0.0 fan efficiency grade
1	AC#3 (10 ton) (Single Zone): Heating: 1 each - Central Furnace, Gas, Capacity = 194 kBtu/h Proposed Efficiency = 81.00% EI, Required Efficiency: 80.00 % EI or 80% AFUE Cooling: 1 each - Single Package DX Unit, Capacity = 122 kBtu/h, Air-Cooled Condenser, Air Economizer Proposed Efficiency = 12.10 EER, Required Efficiency: 11.00 EER + 12.6 IEER Fan System: AC#3 (10 ton)   Dining - Compliance (Motor nameplate HP method) - Passes Fans: Supply Supply, Constant Volume, 4000 CFM, 3.8 motor nameplate hp, 0.0 fan efficiency grade Exhaust Exhaust, Constant Volume, 1000 CFM, 0.3 motor nameplate hp, 0.0 fan efficiency grade
1	AC#4 (7.5 ton) (Single Zone): Heating: 1 each - Central Furnace, Gas, Capacity = 194 kBtu/h Proposed Efficiency = 81.00% EI, Required Efficiency: 80.00 % EI or 80% AFUE Cooling: 1 each - Single Package DX Unit, Capacity = 63 kBtu/h, Air-Cooled Condenser, Air Economizer Proposed Efficiency = 12.30 EER, Required Efficiency: 11.00 EER + 12.6 IEER Fan System: AC#4 (7.5 ton)   Dining - Compliance (Motor nameplate HP method) - Passes Fans: Supply Supply, Constant Volume, 2765 CFM, 3.8 motor nameplate hp, 0.0 fan efficiency grade Exhaust Exhaust, Constant Volume, 600 CFM, 0.3 motor nameplate hp, 0.0 fan efficiency grade
1	AC#5 (5 ton) (Single Zone): Heating: 1 each - Central Furnace, Gas, Capacity = 121 kBtu/h Proposed Efficiency = 81.00% EI, Required Efficiency: 80.00 % EI or 80% AFUE Cooling: 1 each - Single Package DX Unit, Capacity = 62 kBtu/h, Air-Cooled Condenser, Air Economizer Proposed Efficiency = 17.10 SEER, Required Efficiency: 14.00 SEER Fan System: AC#5 (5 ton)   Play Area - Compliance (Motor nameplate HP method) - Passes

**Quantity System Type & Description**


Fans:  
 Supply Supply, Constant Volume, 1800 CFM, 1.0 motor nameplate hp, 0.0 fan efficiency grade  
 Exhaust Exhaust, Constant Volume, 300 CFM, 0.3 motor nameplate hp, 0.0 fan efficiency grade

1 AHU#2/CUR#2 (Single Zone):  
 Split System Heat Pump  
 Heating Mode: Capacity = 40 kBtu/h  
 Proposed Efficiency = 10.00 HSPF, Required Efficiency = 8.20 HSPF  
 Cooling Mode: Capacity = 34 kBtu/h  
 Proposed Efficiency = 16.20 SEER, Required Efficiency: 14.00 SEER  
 Fan System: None

1 EH (Infrared Heater) (Single Zone):  
 Heating: 1 each - Radiant Heater, Electric, Capacity = 20 kBtu/h  
 No minimum efficiency requirement applies  
 Fan System: None

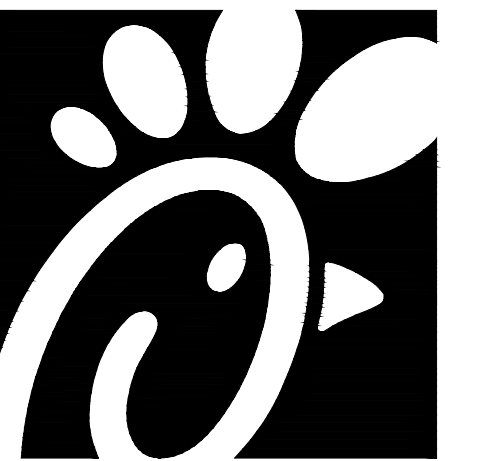
**Mechanical Compliance Statement**

Compliance Statement: The proposed mechanical design represented in this document is consistent with the building plans, specifications, and other calculations submitted with this permit application. The proposed mechanical systems have been designed to meet the 2019 IECC requirements in COMcheck Version 4.1.5.1 and to comply with any applicable mandatory requirements listed in the Inspection Checklist.

Mark Kurzynske, P.E.  9/26/23  
 Name - Title Signature Date

FOR CONSTRUCTION

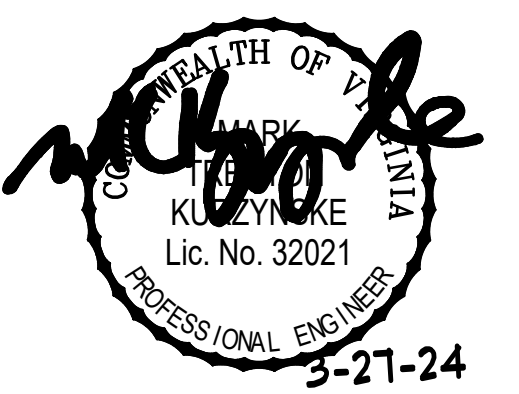
CONSTRUCTION



**Chick-fil-A**  
 5200 Buffington Road  
 Atlanta, Georgia 30349



**Kurzynske & Associates**  
 CONSULTING ENGINEERS  
 2705 Lebanon Pike - Suite One  
 Nashville, Tennessee 37214  
 Telephone: (615) 255-5203



**CHICK-FIL-A**  
 Mercury Blvd.  
 110 Market Place Dr.  
 Hampton, VA 23666

**FSR#02240**  
 BUILDING TYPE / SIZE: S06C-R  
 RELEASE:

REVISION SCHEDULE		
NO.	DATE	DESCRIPTION

CONSULTANT PROJECT #	23125.HF.R
PRINTED FOR	CONSTRUCTION
DATE	08/09/2023
DRAWN BY	DSF

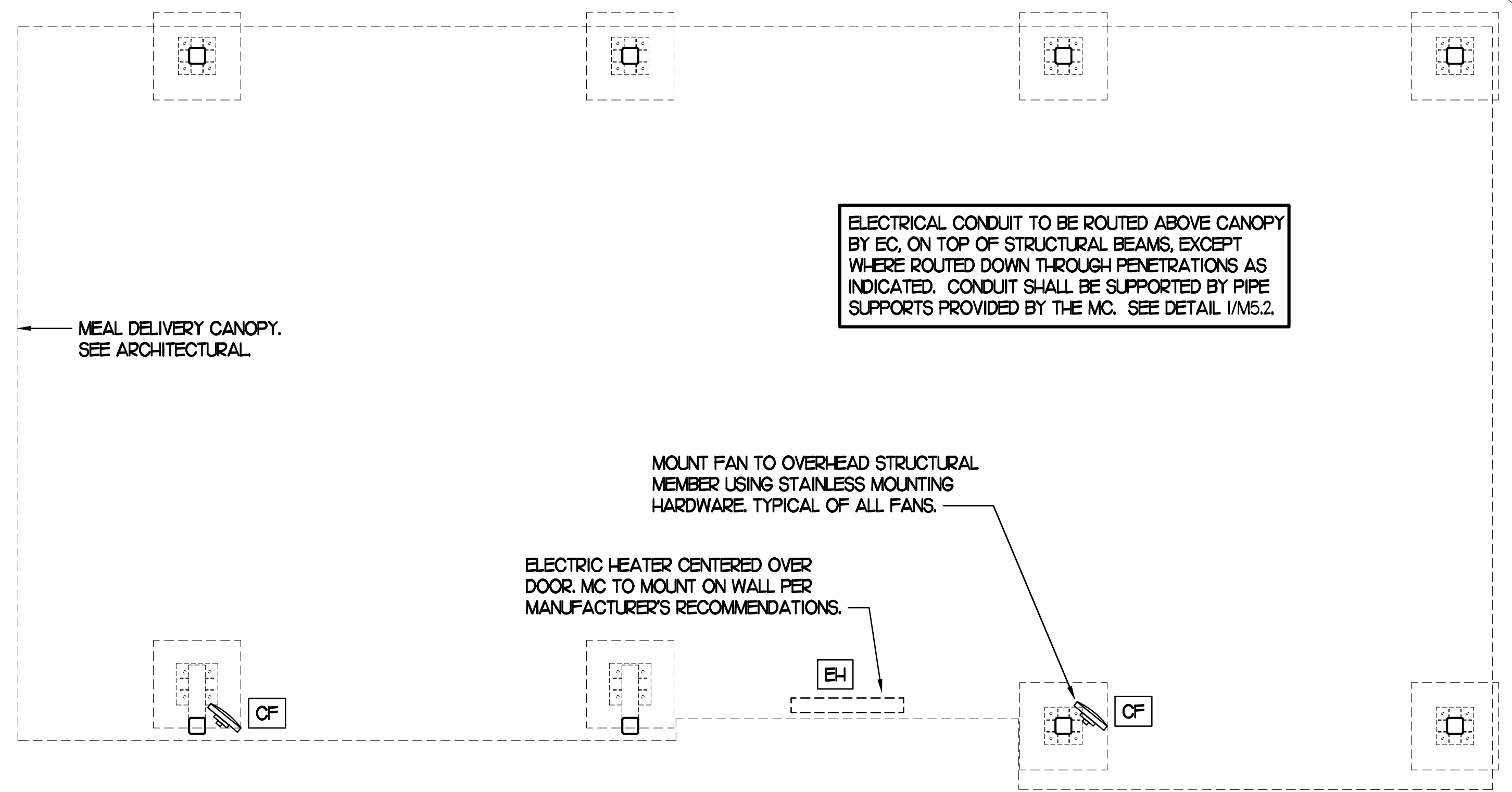
Information contained on this drawing and in all digital files produced for above named project may not be reproduced in any manner without express written or verbal consent from authorized project representatives.  
 SHEET  
 CANOPY HVAC  
 PLANS  
 SHEET NUMBER

**M5.1**

LEGEND			
CF#	CIRCULATING FAN # (TYP)	B/G	BELOW GRADE
GH#	GAS INFRARED HEATER # (TYP)	EC	ELECTRICAL CONTRACTOR
---	NEW GAS PIPING ABOVE GRADE	MC	MECHANICAL CONTRACTOR
---	NEW GAS PIPING BELOW GRADE	---	CONDUIT ABOVE CANOPY DECK

**GENERAL NOTES**

- COORDINATE NEW WORK WITH EXISTING CONDUIT, STRUCTURE, AND PIPING. FIELD VERIFY EXISTING CONDITIONS PRIOR TO START OF WORK.
- COORDINATE LOCATION AND RESPONSIBILITIES FOR UNDERGROUND PIPING AND ASSOCIATED TRENCHING WITH GENERAL CONTRACTOR PRIOR TO START OF WORK.
- EXPOSED GAS PIPING SHALL BE PAINTED BY GENERAL CONTRACTOR.
- ACTUAL NUMBER OF GAS INFRARED HEATERS & COOLING FANS WILL BE DETERMINED BY SITE-SPECIFIC CANOPY LAYOUT AND EQUIPMENT LOCATIONS, AS INDICATED ON ARCHITECTURAL PLANS.
- CONTROL WIRING FOR HEATERS BY EC. COORDINATE WIRE GAUGE WITH EC. SEE ELECTRICAL AND CONTROLS DRAWINGS, TYP.

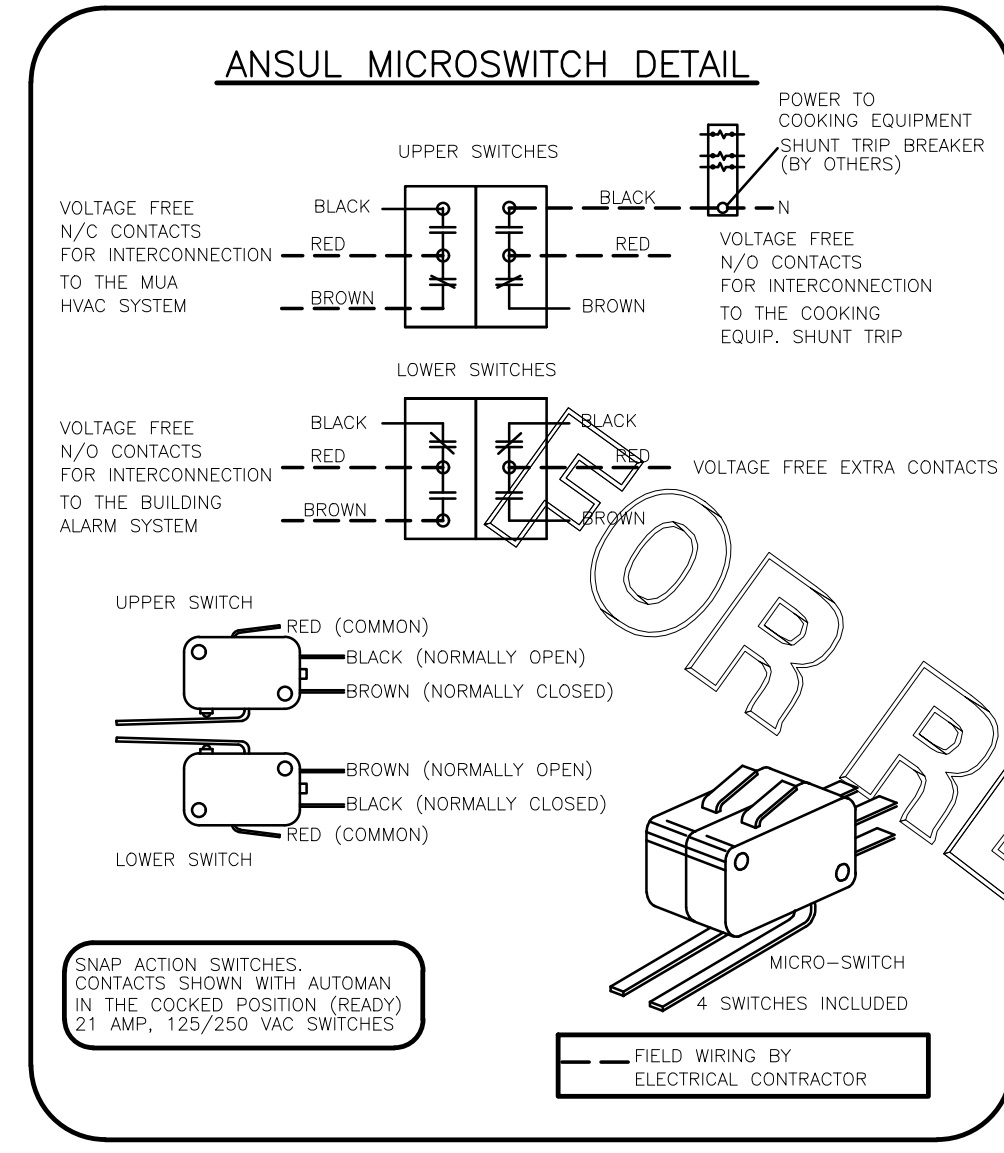


**2 HVAC PLAN - MEAL DELIVERY CANOPY**  
 NTS

FOR CONSTRUCTION

FOR CONSTRUCTION

FOR CONSTRUCTION



# ANSUL

### FIRE EXTINGUISHER

ANSUL

13051 5 LBS ABC MODEL AA05	QTY _____
13052 10 LBS ABC MODEL AA10S	QTY _____
13053 6 LTR CLASS K-GUARD K01-3	QTY _____

SUPPLIED BY HALTON

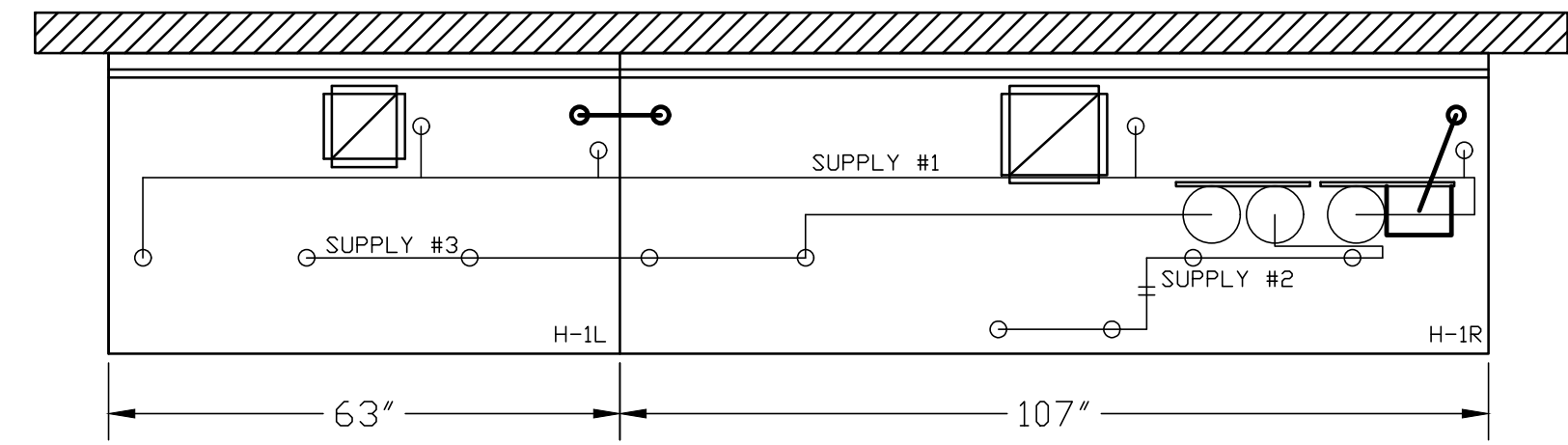
**\*\*SHOP NOTE\*\***  
 PROVIDE A QUANTITY OF TWO REMOTE PULL STATIONS FOR FIRE SYSTEM FOR HOODS H-2 & H-3.  
 ONE PULL STATION REQUIRED FOR HOOD H-1L/R.  
 PROVIDE A TOTAL OF THREE PULL STATIONS!!

### FUSIBLE LINK RATINGS

ITEM	TEMP
OPEN FRYERS	450*
2 BURNER / FLAT TOP	450*
PRESSURE FRYERS	450*
GRILL	450*
EXHAUST COLLARS	450*

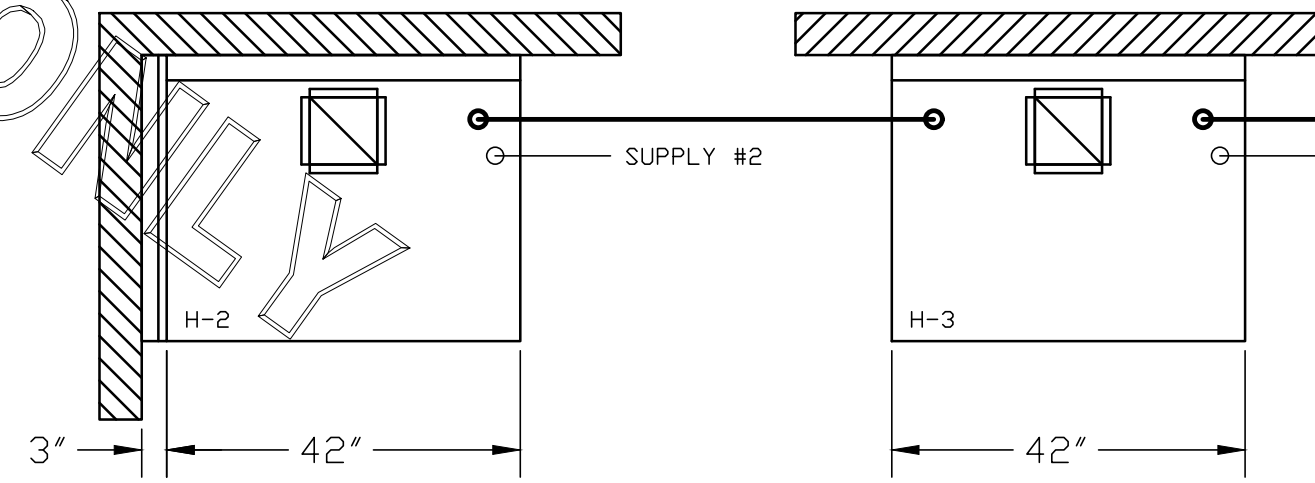
ANSUL R-102 FIRE SYSTEM NOTES  
 THREE TANK SYSTEM MOUNTED ON TOP OF (H-1R)  
 MAXIMUM FLOW POINTS = 33

ANSUL R-102 FIRE SYSTEM NOTES  
 TWO TANK SYSTEM REMOTE MOUNTED  
 MAXIMUM FLOW POINTS = 22



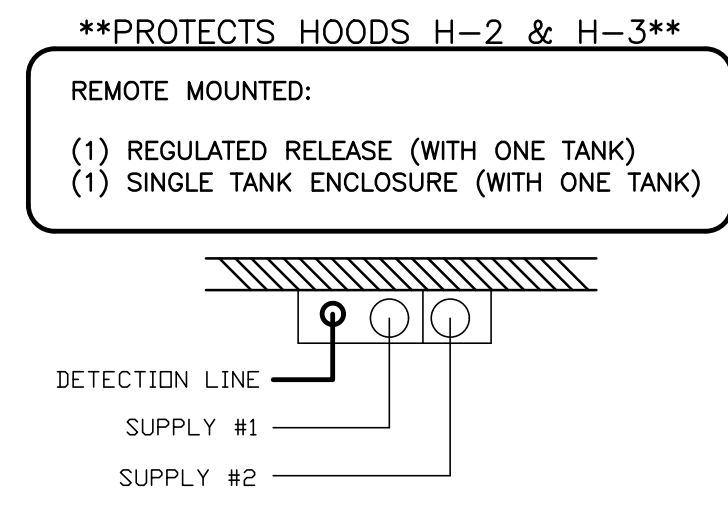
ANSUL R-102 FIRE SYSTEM  
 A) 9 GALLON SYSTEM (3 TANKS)  
 (MOUNTED ON HOOD H-1R)  
 (FOR HOODS H-1L & H-1R)  
 B) 3/8" BLACK IRON PIPING WITH 3/8" S.S. APPLIANCE DROPS

(1) DEM REGULATED RELEASE  
 (2) EXTRA MICRO SWITCH ASSEMBLIES (MOUNTED IN DEM REG. REL.)  
 (3) 3 GALLON TANKS



ANSUL R-102 FIRE SYSTEM  
 A) 6 GALLON SYSTEM (2 TANKS)  
 (REMOTE MOUNTED) (FOR HOOD H-2 & H-3)  
 B) 3/8" BLACK IRON PIPING WITH 3/8" S.S. APPLIANCE DROPS

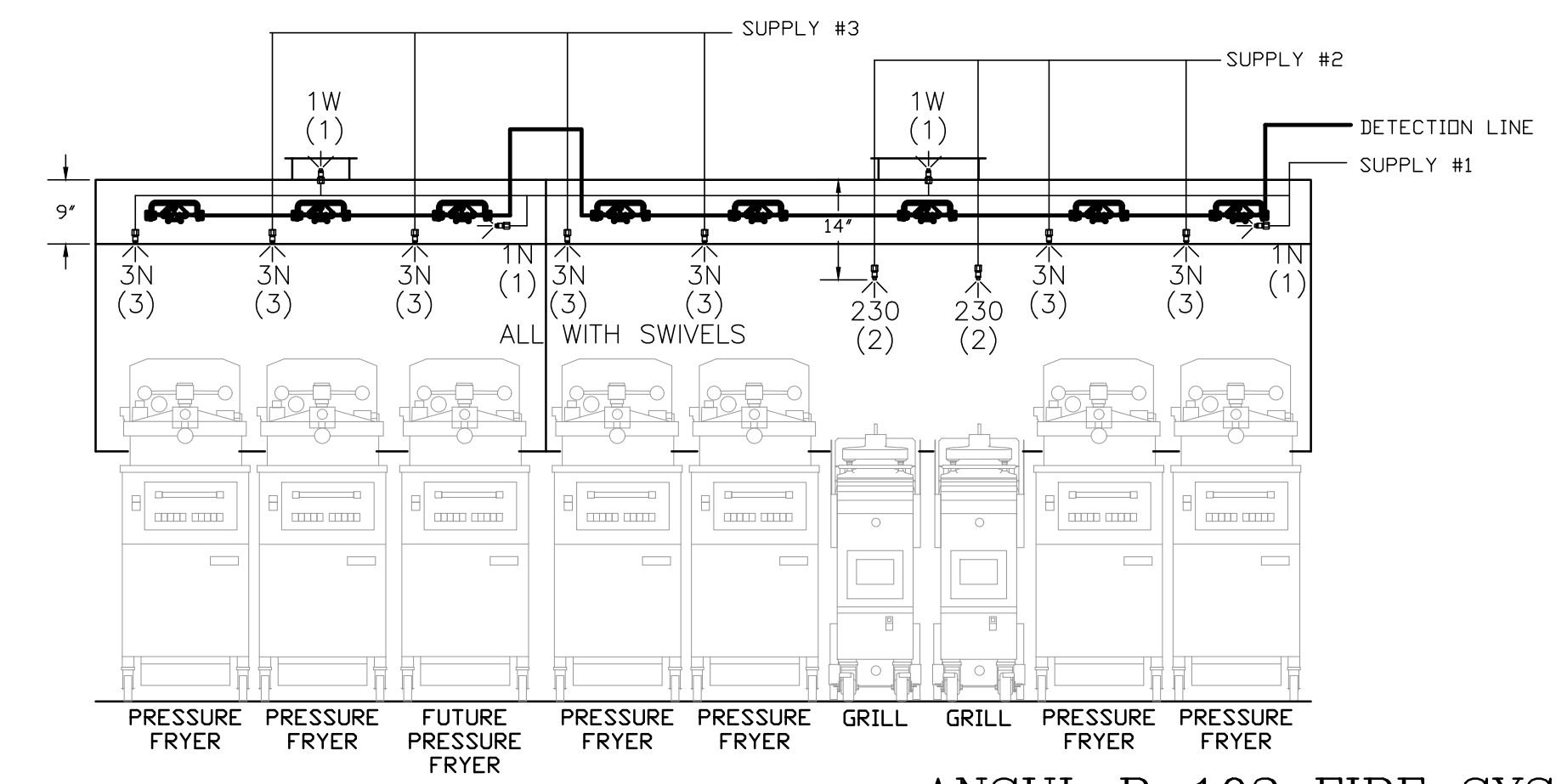
(1) REGULATED RELEASE  
 (2) EXTRA MICRO SWITCH ASSEMBLIES (MOUNTED IN REG. REL.)  
 (3) SINGLE TANK ENCLOSURE  
 (4) 3 GALLON TANKS



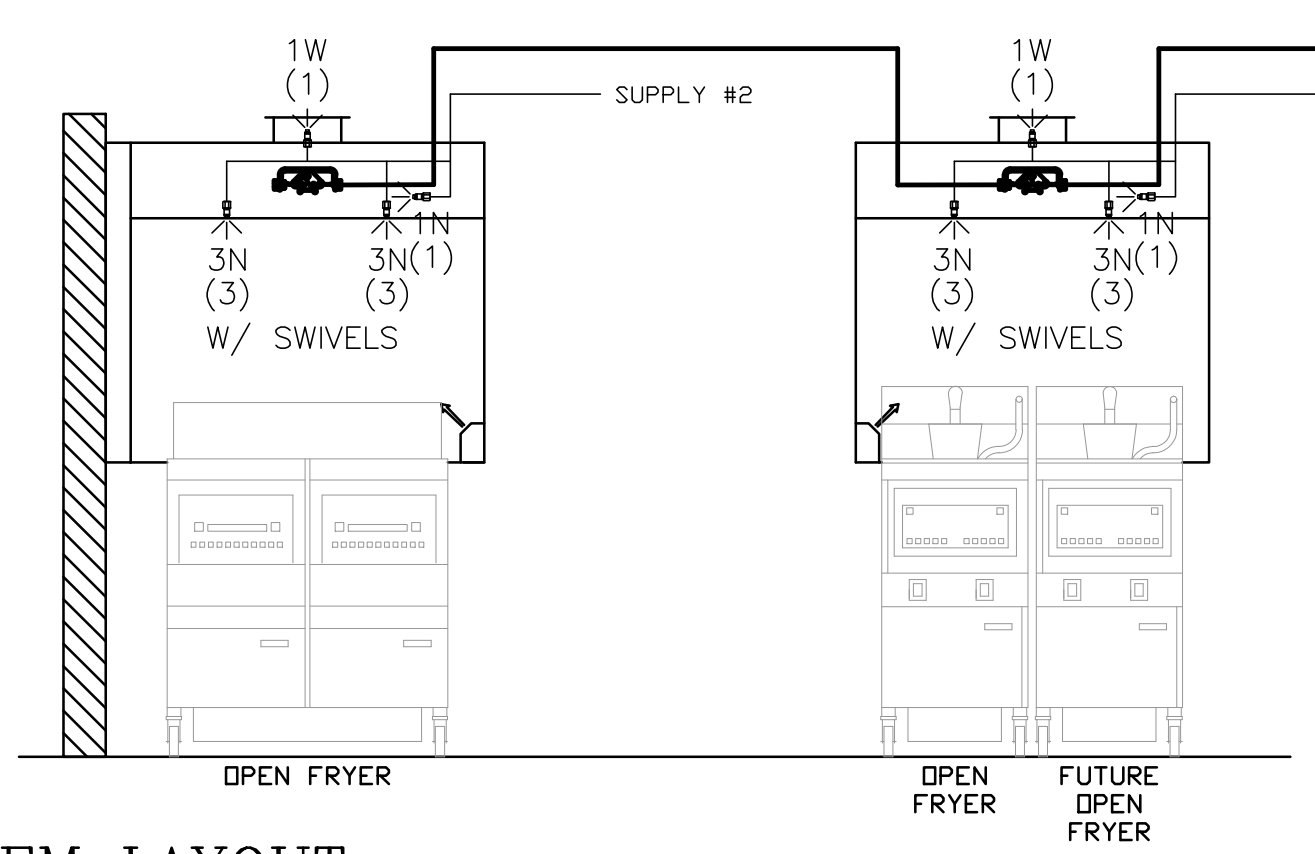
ITEM	PART #	QTY	DESCRIPTION	FLOW PTS (TOTAL)	
1W	10023	4	DUCT NOZZLES	4	
1N	10022	4	PLENUM NOZZLES	4	
230	10025	2	APPLIANCE NOZZLES	4	
3N	10021	11	APPLIANCE NOZZLES	33	
				TOTAL FLOW POINTS	45

ITEM	QTY	DESCRIPTION
#200	10035	8 SERIES DETECTORS W/ FUSIBLE LINKS
#201	11973	2 TERMINAL DETECTORS W/ FUSIBLE LINKS
#202	10046	1 DEM REGULATED RELEASE W/ DOUBLE POLE MICRO SWITCH
#202	10033	1 REGULATED RELEASE W/ DOUBLE POLE MICRO SWITCH
#203	10333	5 3 GALLON TANKS
#204	10044	1 SINGLE TANK ENCLOSURE
#205	10040	3 REMOTE PULL STATION
#207	10065	4 DOUBLE TANK NITROGEN CARTRIDGE
#208	11128	5 3 GALLON ANSULEX CONTAINER



ANSUL R-102 FIRE SYSTEM LAYOUT



ANSUL R-102 FIRE SYSTEM  
 UL LISTED PER STD LATEST STD 300

- FINAL INSTALLATION IS TO BE MADE IN ACCORDANCE WITH ALL APPLICABLE CODES
- ALL ELECTRICAL COMPONENTS FOR EQUIPMENT SHUT DOWN TO BE PROVIDED BY THE ELECTRICIAN. MICRO-SWITCH INSTALLED IN REGULATED RELEASE BY ANSUL INSTALLER
- REMOTE PULL STATION LOCATED PER MECHANICAL DRAWINGS

THIS DRAWING MUST BE CHECKED, SIGNED AND RETURNED TO THE APPROPRIATE FACTORY. PLEASE VERIFY THE FOLLOWING:

- ALL DIMENSIONAL INFORMATION, MOUNTING POSITIONS AND CLEARANCES;
- THE LOCATION AND TYPE OF COOKING EQUIPMENT.

**NOTE TO APPROVER**  
 THIS EQUIPMENT SUCH AS INCREASED BURNER INPUTS OR EQUIPMENT POSITION MAY AFFECT EXHAUST AIRFLOW. HALTON MUST BE NOTIFIED IF ANY OF THESE CHANGES OCCUR. A RECALCULATION EXHAUST AIRFLOW MAY BE REQUIRED.

APPROVED FOR FABRICATION  WITH NO CHANGES  WITH CHANGES AS NOTED

APPROVED BY \_\_\_\_\_ DATE \_\_\_\_\_

---

MAIL APPROVED DRAWINGS TO APPROPRIATE FACTORY BELOW:

WEBSITE: www.halton.com	DATE
HALTON CO. (USA) 101 INDUSTRIAL DRIVE SCOTTSDALE, KY 42164 1-270-237-5600	BY
HALTON CO. (CANADA) 1021 BREVIK PLACE MISSISSAUGA, ON L4W 3R7 1-905-624-0301	REVISION DESCRIPTION
REV	DATE

---

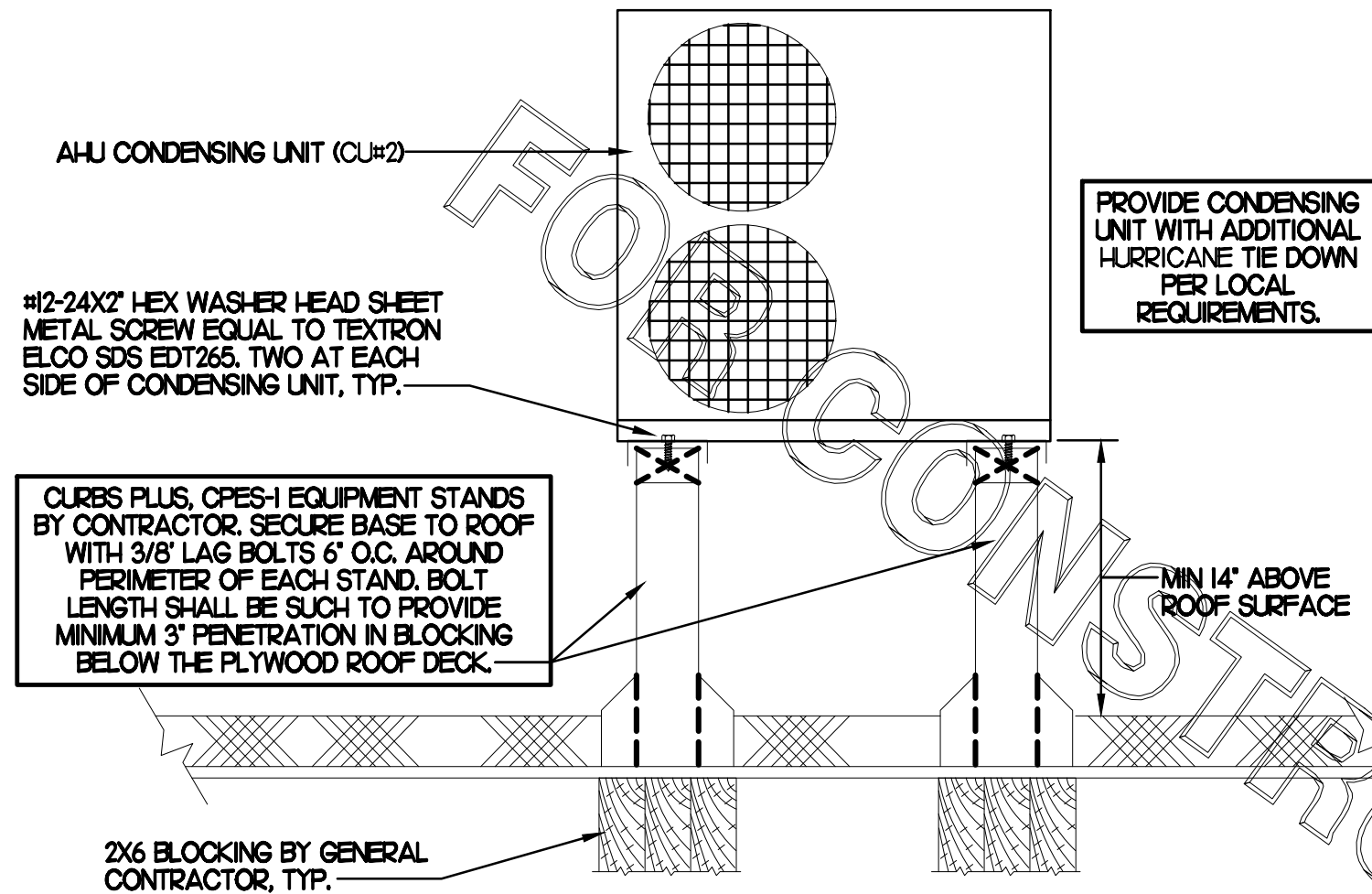
PROJECT: CHICK-FIL-A #2240  
 MERCURY BOULEVARD

LOCATION: HAMPTON, VA  
 DRAWN BY: SKK  
 SCALE: NOT TO SCALE

DATE: 07.27.23

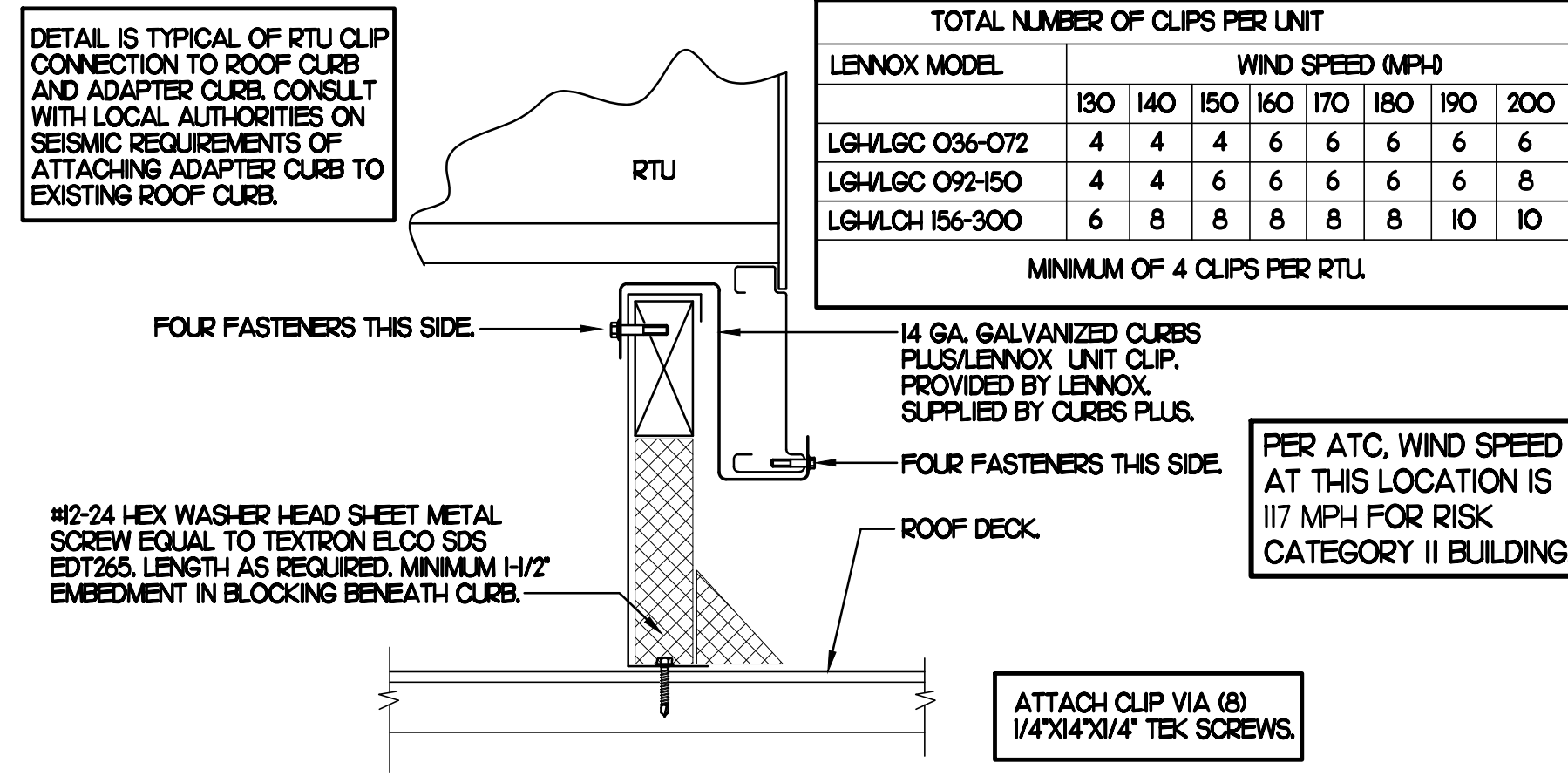
DRAWING No.: U23-690-02  
 SHEET NO.: MH1.2

**Halton**



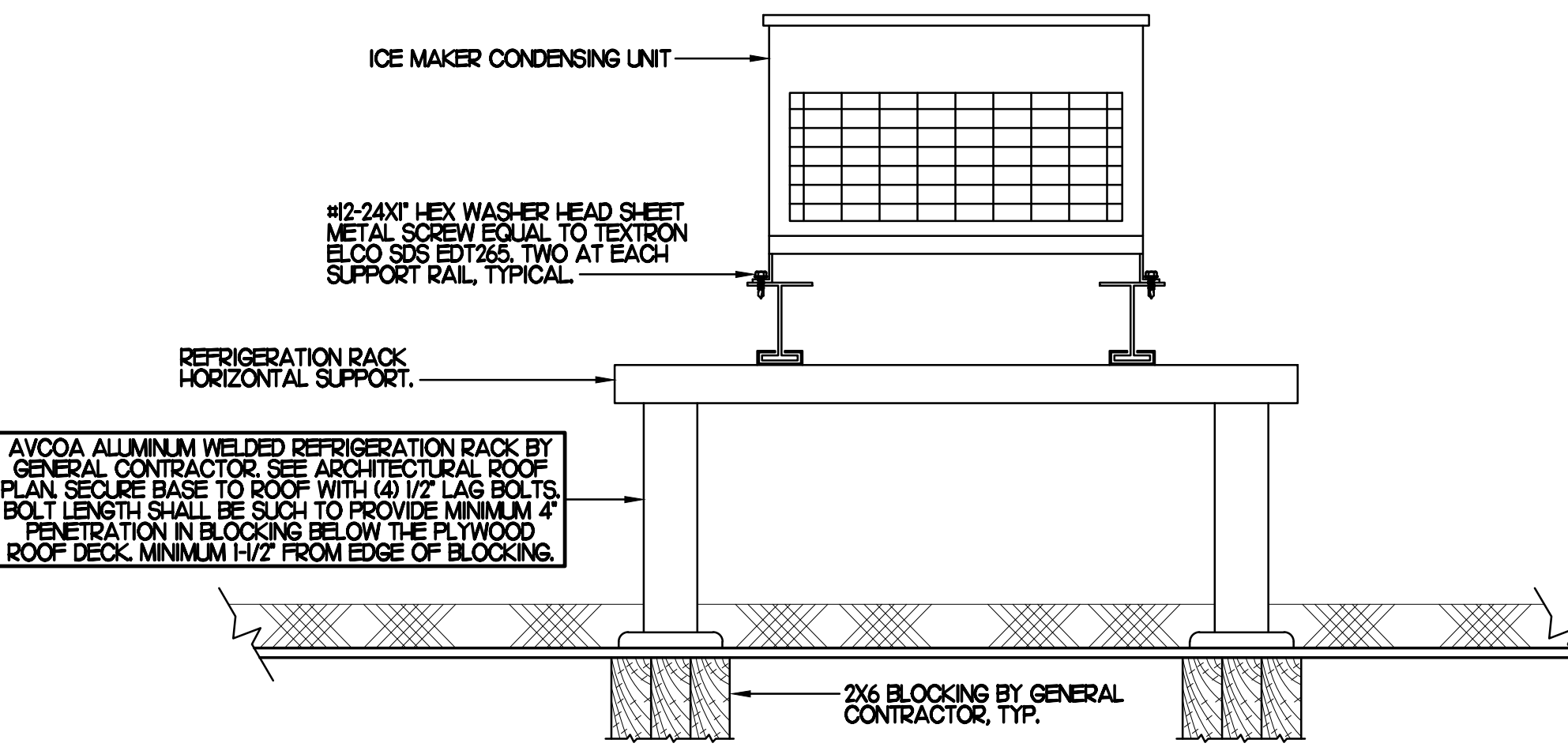
**1 AHU CONDENSING UNIT TIE DOWN**

NO SCALE



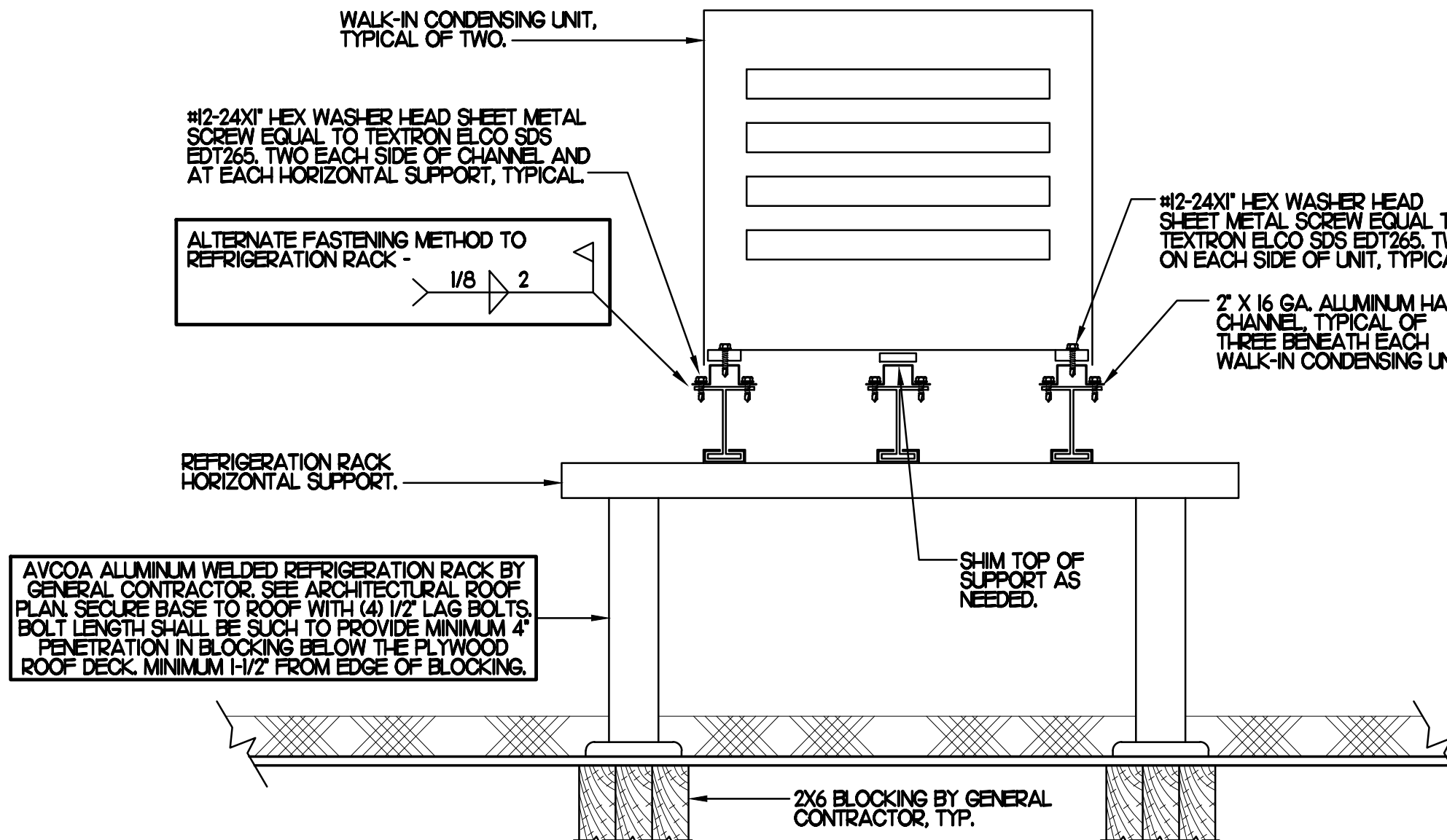
**4 RTU UNIT CLIPS**

NO SCALE



**2 ICE MAKER CONDENSING UNIT TIE DOWN DETAIL**

NO SCALE



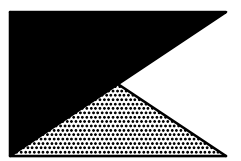
**3 WALK-IN CONDENSING UNIT TIE DOWN DETAIL**

NO SCALE



Chick-fil-A

Chick-fil-A  
5200 Buffington Road  
Atlanta, Georgia 30349



Kurzynske & Associates  
CONSULTING ENGINEERS  
2705 Lebanon Pike - Suite One  
Nashville, Tennessee 37214  
Telephone: (615) 255-5203



**CHICK-FIL-A**  
Mercury Blvd.  
110 Market Place Dr.  
Hampton, VA 23666

**FSR#02240**

BUILDING TYPE / SIZE: S06C-R  
RELEASE:

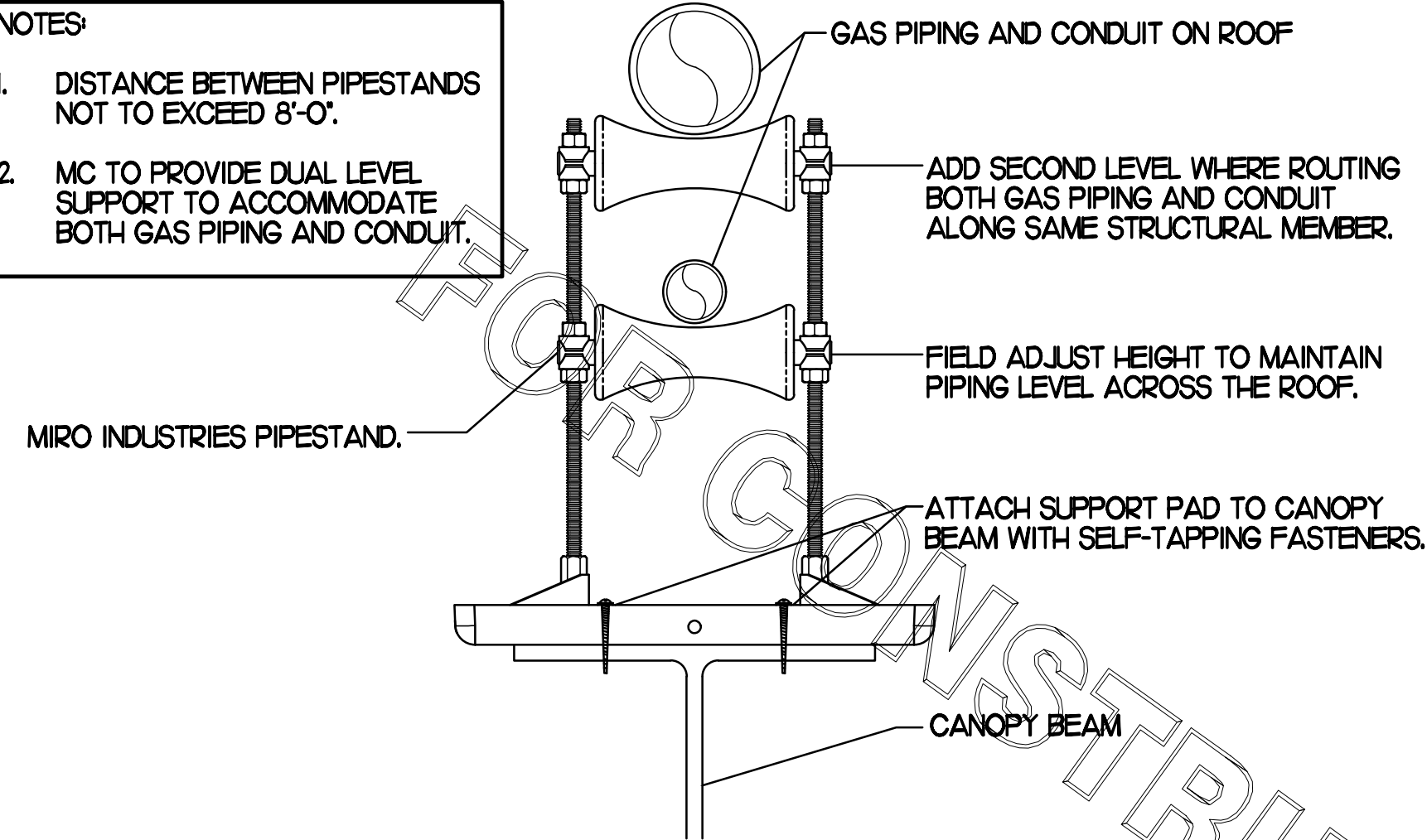
REVISION SCHEDULE		
NO.	DATE	DESCRIPTION

CONSULTANT PROJECT # 23125.HF.R  
PRINTED FOR CONSTRUCTION  
DATE 08/09/2023  
DRAWN BY DSF

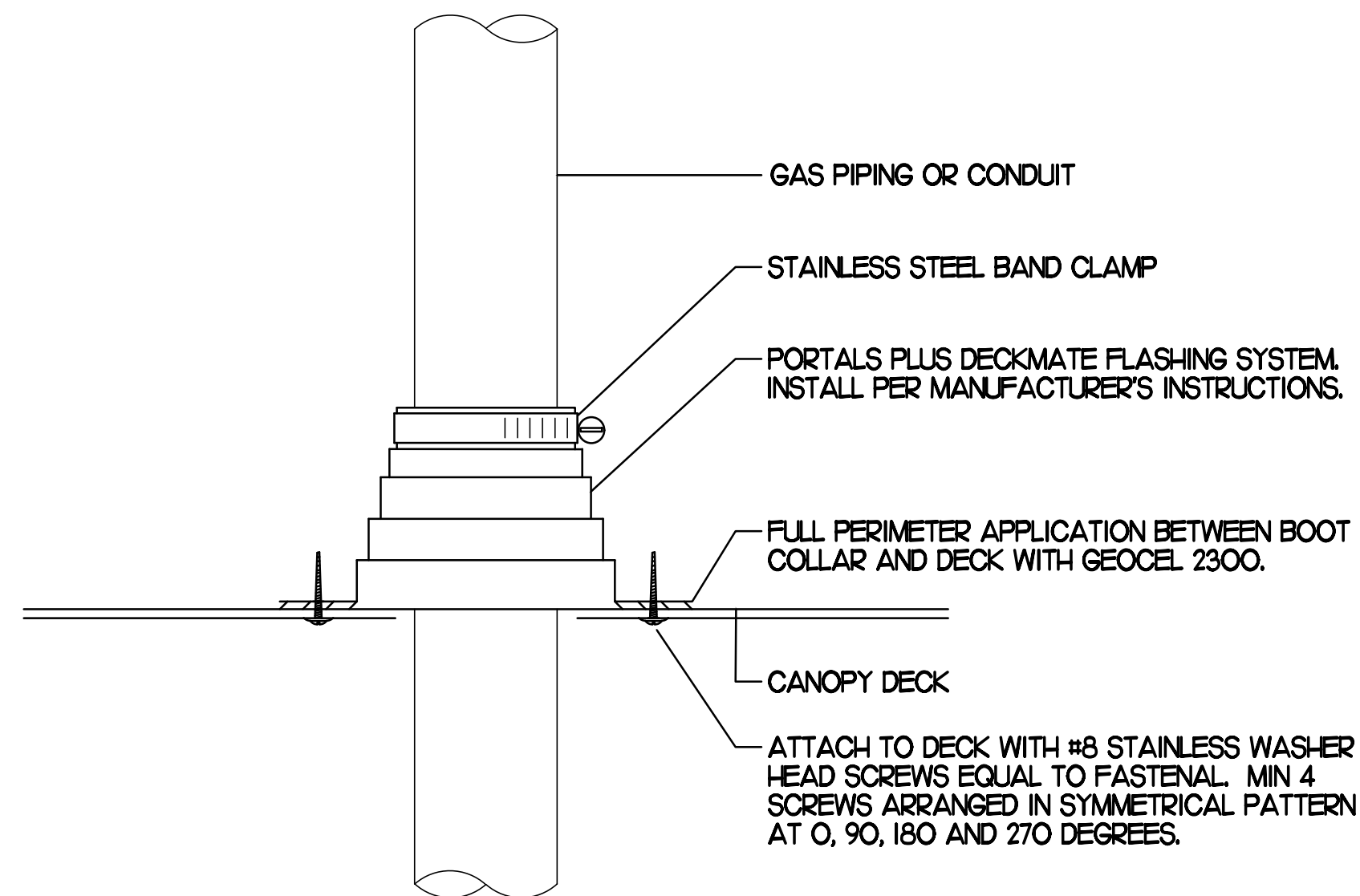
Information contained on this drawing and in all digital files produced for above named project may not be reproduced in any manner without express written or verbal consent from authorized project representatives.  
SHEET  
MECH DETAILS & SCHEDULES  
SHEET NUMBER

**M3.2**

- NOTES**
1. DISTANCE BETWEEN PIPESTANDS NOT TO EXCEED 8'-0".
  2. MC TO PROVIDE DUAL LEVEL SUPPORT TO ACCOMMODATE BOTH GAS PIPING AND CONDUIT.



**1 PIPING SUPPORT ON CANOPY**  
NO SCALE



**2 WEATHERPROOFING AT CANOPY PENETRATION**  
NO SCALE

**BROMIC ELECTRIC HEATER SCHEDULE**

MARK	INPUT (KW)	FRAME SIZE			MOUNTING TYPE	MODEL	MANUFACTURER
		LENGTH	WIDTH	DEPTH			
ALL EH	6.0	56"	8.5"	3.5"	BRACKET	BH0420035	BROMIC
<b>NOTES</b>							
<ul style="list-style-type: none"> <li>• CHICK-FIL-A HAS A NATIONAL ACCOUNT WITH BROMIC COMPANY FOR THE ELECTRIC HEATER PACKAGE. THE MECHANICAL CONTRACTOR SHALL PURCHASE THE ELECTRIC HEATERS DIRECTLY FROM BROMIC COMPANY. CONTACT BLAKE RUSSIE AT 858-381-4850, FOR PRICING AND AVAILABILITY. BROMIC HEATERS NOT PURCHASED THRU BROMIC COMPANY WILL NOT BE ACCEPTED.</li> </ul>							
<b>REMARKS</b>							
<ol style="list-style-type: none"> <li>1. STAINLESS STEEL LENS WITH BLACK EMISSIVE COATING.</li> <li>2. PROVIDE ENGRAVED PLASTIC LABEL AT EACH UNIT WITH UNIT DESIGNATION IN 1" HIGH WHITE LETTERS ON A BLACK BACKGROUND.</li> <li>3. PROVIDE BLACK HEATER WITH HIGH TEMPERATURE COATING, AND WITH MOUNTING BRACKETS PER MANUFACTURER'S RECOMMENDATIONS.</li> </ol>							

**CIRCULATING FAN SCHEDULE**

MARK	CFM	RPM	HP	MODEL	MANUFACTURER
<b>REMARKS</b>					
<ol style="list-style-type: none"> <li>1. ALUMINUM PADDLE WITH STEEL HUB/SPIDER PROPELLER.</li> <li>2. 360 DEG. ROTATING HEAD HORIZONTALLY AND VERTICALLY.</li> <li>3. OSHA COMPLIANT DOUBLE LOCKING, COATED STEEL WIRE GUARD.</li> <li>4. 3-SPEED, TOTALLY ENCLOSED, PERMANENTLY LUBRICATED BALL BEARING MOTOR.</li> <li>5. FACTORY PRE-WIRED POWER CORD.</li> <li>6. PROVIDE FACTORY WALL MOUNTING BRACKET.</li> <li>7. PROVIDE ENGRAVED PLASTIC LABEL AT EACH UNIT WITH UNIT DESIGNATION IN 1" HIGH WHITE LETTERS ON A BLACK BACKGROUND. MOUNT TO UNDERSIDE OF CANOPY OR EXISTING OVERHANG, FACING DOWNWARD, 12" Laterally FROM THE FAN LOCATION.</li> <li>8. REMOVE PULL CHAIN EXTENSION AT ON/OFF SWITCH IN FIELD.</li> <li>9. FACTORY CERTIFIED FOR OUTDOOR INSTALLATION.</li> </ol>					



*Chick-fil-A*

**Chick-fil-A**  
5200 Buffington Road  
Atlanta, Georgia 30349



**Kurzynske & Associates**  
CONSULTING ENGINEERS  
2705 Lebanon Pike - Suite One  
Nashville, Tennessee 37214  
Telephone: (615) 255-5203



**CHICK-FIL-A**  
Mercury Blvd.  
110 Market Place Dr.  
Hampton, VA 23666

**FSR#02240**  
BUILDING TYPE / SIZE: S06C-R  
RELEASE:

**REVISION SCHEDULE**

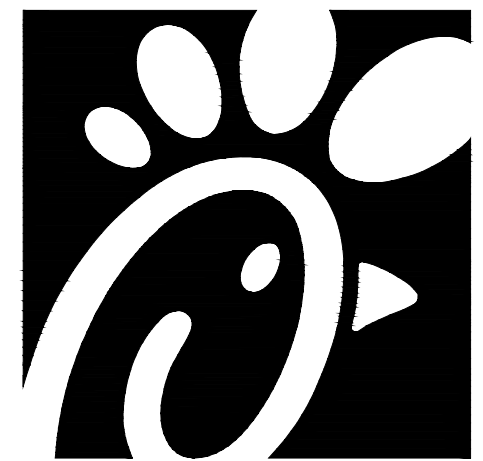
NO.	DATE	DESCRIPTION
3	12/14/23	Bid Set Update

CONSULTANT PROJECT # 23125.HF.R  
PRINTED FOR CONSTRUCTION  
DATE 08/09/2023  
DRAWN BY DSF

Information contained on this drawing and in all digital files produced for above named project may not be reproduced in any manner without express written or verbal consent from authorized project representatives.  
SHEET  
CANOPY DETAILS & SCHEDULES  
SHEET NUMBER

**M5.2**

**CONSTRUCTION**



Chick-fil-A

Chick-fil-A  
5200 Buffington Road  
Atlanta, Georgia 30349

Kurzynske & Associates  
CONSULTING ENGINEERS  
2705 Lebanon Pike - Suite One  
Nashville, Tennessee 37214  
Telephone: (615) 255-5203



**CHICK-FIL-A**  
Mercury Blvd.  
110 Market Place Dr.  
Hampton, VA 23666

**FSR#02240**

BUILDING TYPE / SIZE: S06C-R  
RELEASE:

NO.	DATE	DESCRIPTION
1	11/13/23	Building Comments

CONSULTANT PROJECT # 23125.HF.R  
 PRINTED FOR CONSTRUCTION  
 DATE 08/09/2023  
 DRAWN BY DSF

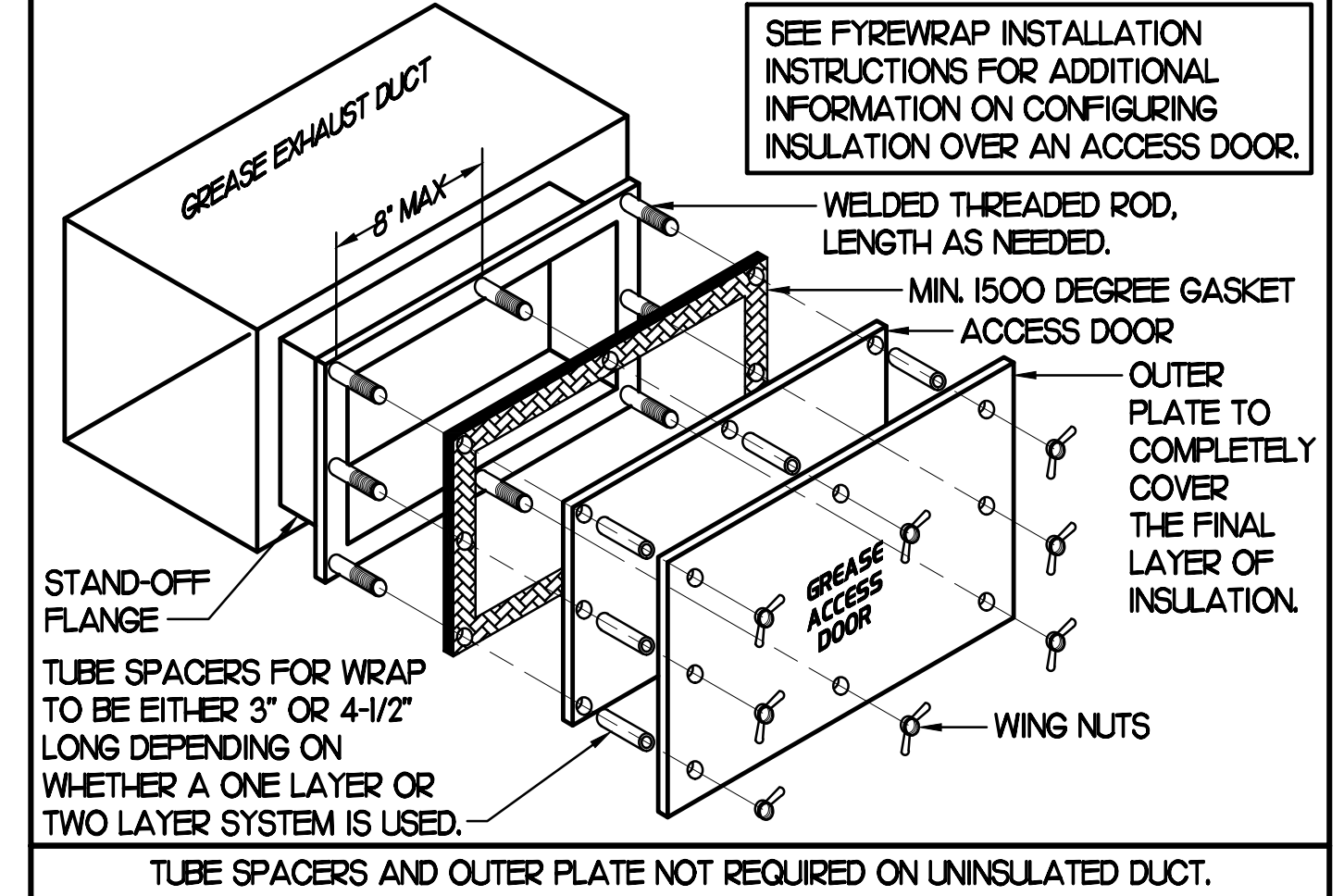
Information contained on this drawing and in all digital files produced for above named project may not be reproduced in any manner without express written or verbal consent from authorized project representatives.  
 SHEET MECHANICAL ROOF PLAN  
 SHEET NUMBER

M1.2

### GREASE ACCESS DOOR SCHEDULE

MARK	OPENING SIZE	DOOR SIZE	REMARKS
A	7.5H X 14W	9.5H X 16W	I
B	5.5H X 14W	7.5H X 16W	I
C	9.5H X 14W	11.5H X 16W	I
D	8.5H X 14W	10.5H X 16W	I

I. ACCESS DOORS SHALL BE U.L. 1978 LISTED OR FIELD FABRICATED, REQUIRE NO TOOLS FOR REMOVAL AND MEET THE REQUIREMENTS OF THE CURRENT EDITION OF THE IMC. ACCESS DOOR ASSEMBLY SHALL BE WELDED IN PLACE TO THE GREASE EXHAUST DUCT AND THE ACCESS DOOR SHALL BE SECURED WITH TUMB SCREWS. ACCESS DOORS SHALL BE SEALED WITH A MINIMUM 1500 DEGREE GASKET MATERIAL EQUIVALENT TO THAT MANUFACTURED BY BRETON INDUSTRIES, INC (800) 382-2491.



### SHEET NOTES

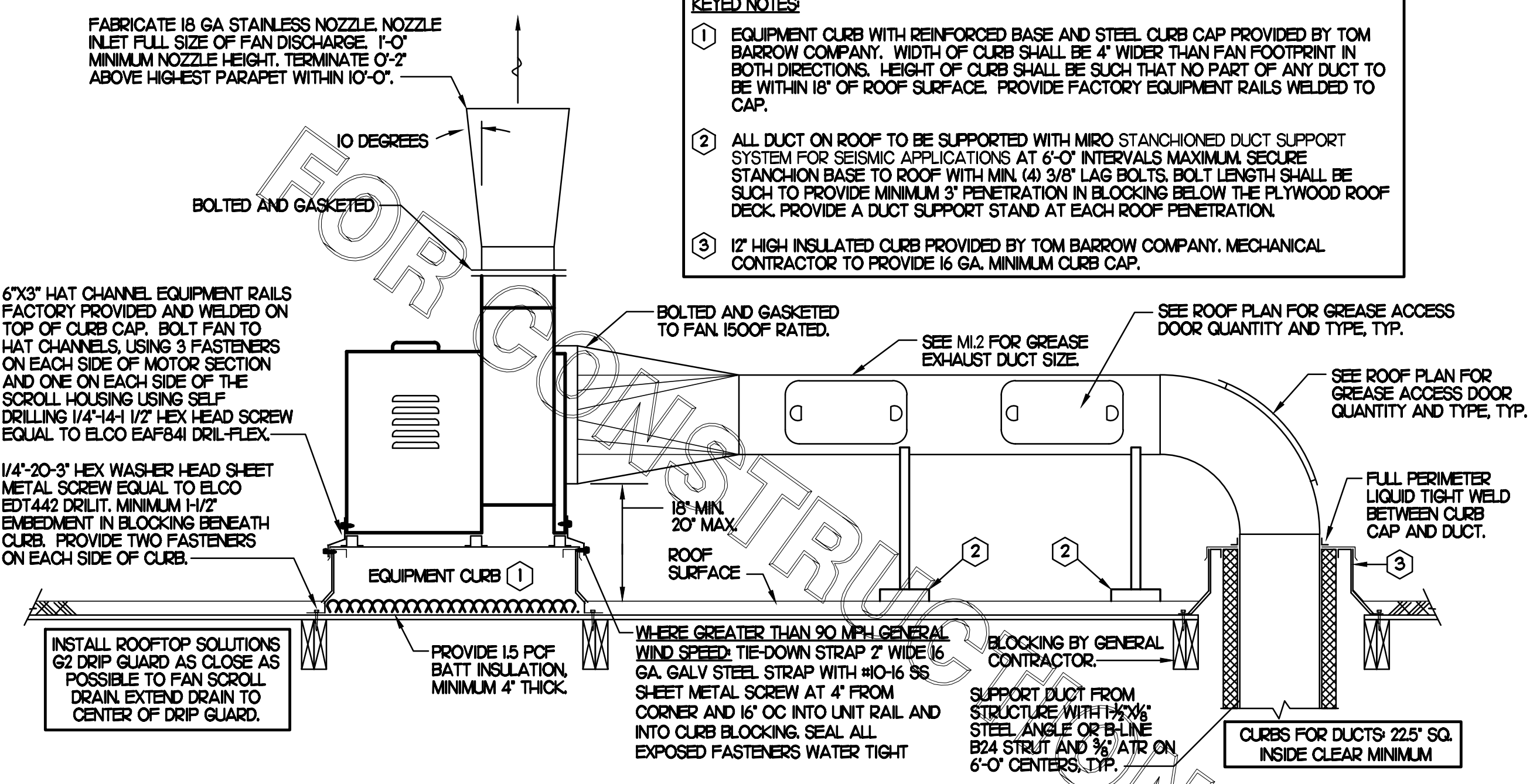
- ALL DUCTWORK AND UNFINISHED METAL ON ROOF EXCEPT STAINLESS SHALL BE PREPARED WITH TWO COATS OF SHERWIN WILLIAMS B66-200 SERIES DTM WHITE ACRYLIC SEMI-GLOSS INDUSTRIAL MAINTENANCE COATING, DEGREASE AND PRIME BARE METAL SURFACE WITH ONE COAT OF SHERWIN WILLIAMS DTM PRIMER PRIOR TO PAINTING.
- AT EACH PIECE OF ROOF EQUIPMENT, PROVIDE A PLASTIC ENGRAVED LABEL WITH 1" HIGH WHITE LETTERS ON A BLACK BACKGROUND. THE LABEL IS TO HAVE A SELF-ADHESIVE BACKING.
- MAINTAIN 18" CLEARANCE FROM GREASE EXHAUST DUCTWORK ABOVE ROOF TO ANY COMBUSTIBLE CONSTRUCTION INCLUDING PARAPET WALLS.

### KEY NOTES

- FABRICATE DISCHARGE AIR NOZZLE. LOCATE EXHAUST TERMINATION A MINIMUM 10'-0" FROM OUTSIDE AIR INTAKES. SEE DETAIL 2 THIS SHEET.
- GREASE EXHAUST DUCT LOCATED ON ROOF SHALL SLOPE 1/4" PER FOOT TOWARDS THE HOOD, THE FAN, OR A COMBINATION OF THE TWO SUCH THAT NO PORTION OF THE RADIUS ELBOW AT THE CURB IS BELOW THE CURB CAP AND SUCH THAT THE FAN BASE SETS DIRECTLY ON THE CURB RAILS. THE BOTTOM OF THE RADIUS ELBOW MAY BE EVEN FLUSH WITH THE CURB CAP, BUT NOT BELOW THE CAP. THE DUCT AT THE FAN MUST BE CENTERED ON THE FAN INLET. THE MC MAY ADD A VERTICAL RISER AT THE RADIUS ELBOW LOCATED AT THE DUCT CURB AS NEEDED IN ORDER TO CENTER THE DUCT ON THE FAN INLET.

### KEYED NOTES

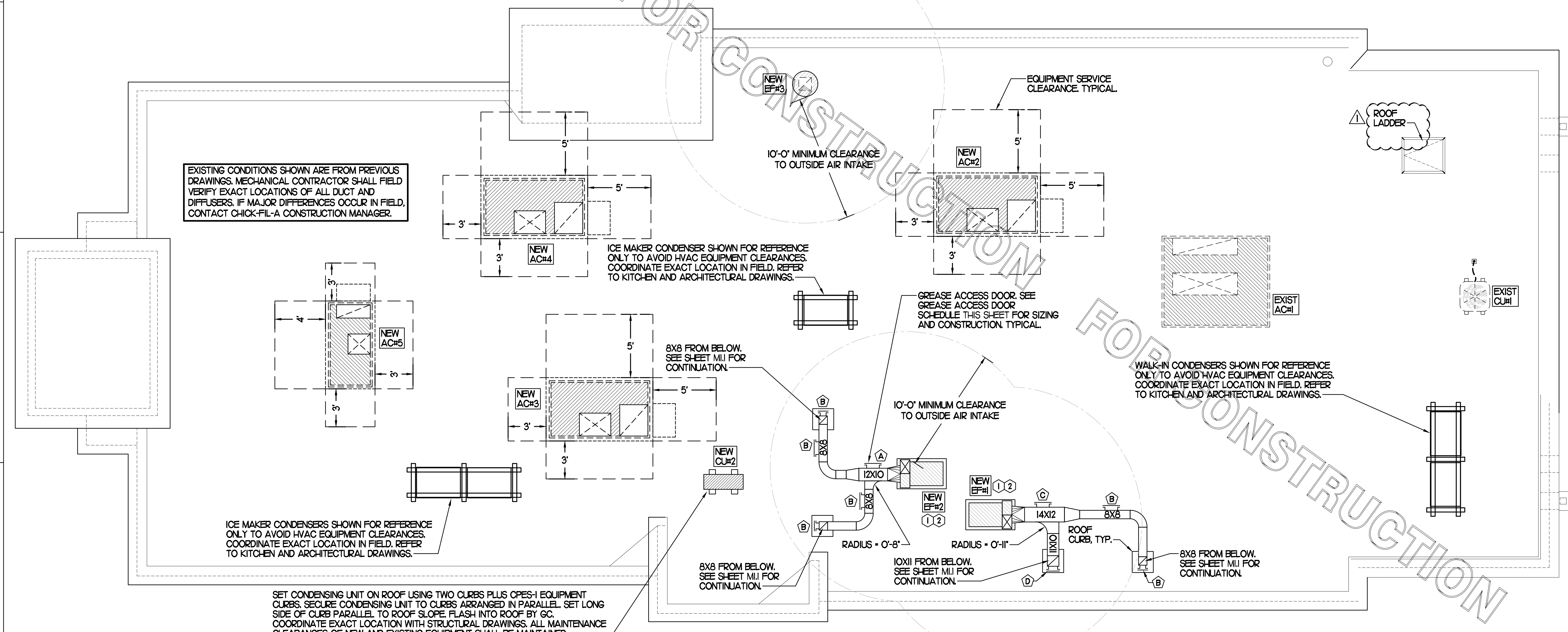
- EQUIPMENT CURB WITH REINFORCED BASE AND STEEL CURB CAP PROVIDED BY TOM BARRON COMPANY. WIDTH OF CURB SHALL BE 4" WIDER THAN FAN FOOTPRINT IN BOTH DIRECTIONS. HEIGHT OF CURB SHALL BE SUCH THAT NO PART OF ANY DUCT TO BE WITHIN 18" OF ROOF SURFACE. PROVIDE FACTORY EQUIPMENT RAILS WELDED TO CAP.
- ALL DUCT ON ROOF TO BE SUPPORTED WITH MIRO STANCHIONED DUCT SUPPORT SYSTEM FOR SEISMIC APPLICATIONS AT 6'-0" INTERVALS MAXIMUM. SECURE STANCHION BASE TO ROOF WITH MIN. (4) 3/8" LAG BOLTS. BOLT LENGTH SHALL BE SUCH TO PROVIDE MINIMUM 3" PENETRATION IN BLOCKING BELOW THE PLYWOOD ROOF DECK. PROVIDE A DUCT SUPPORT STAND AT EACH ROOF PENETRATION.
- 12" HIGH INSULATED CURB PROVIDED BY TOM BARRON COMPANY. MECHANICAL CONTRACTOR TO PROVIDE 16 GA. MINIMUM CURB CAP.



### 2 KITCHEN HOOD EXHAUST FAN - UTILITY SET FAN

NO SCALE

EXISTING CONDITIONS SHOWN ARE FROM PREVIOUS DRAWINGS. MECHANICAL CONTRACTOR SHALL FIELD VERIFY EXACT LOCATIONS OF ALL DUCT AND DIFFUSERS. IF MAJOR DIFFERENCES OCCUR IN FIELD, CONTACT CHICK-FIL-A CONSTRUCTION MANAGER.



### 1 MECHANICAL ROOF PLAN

SCALE: 1/4"=1'-0"

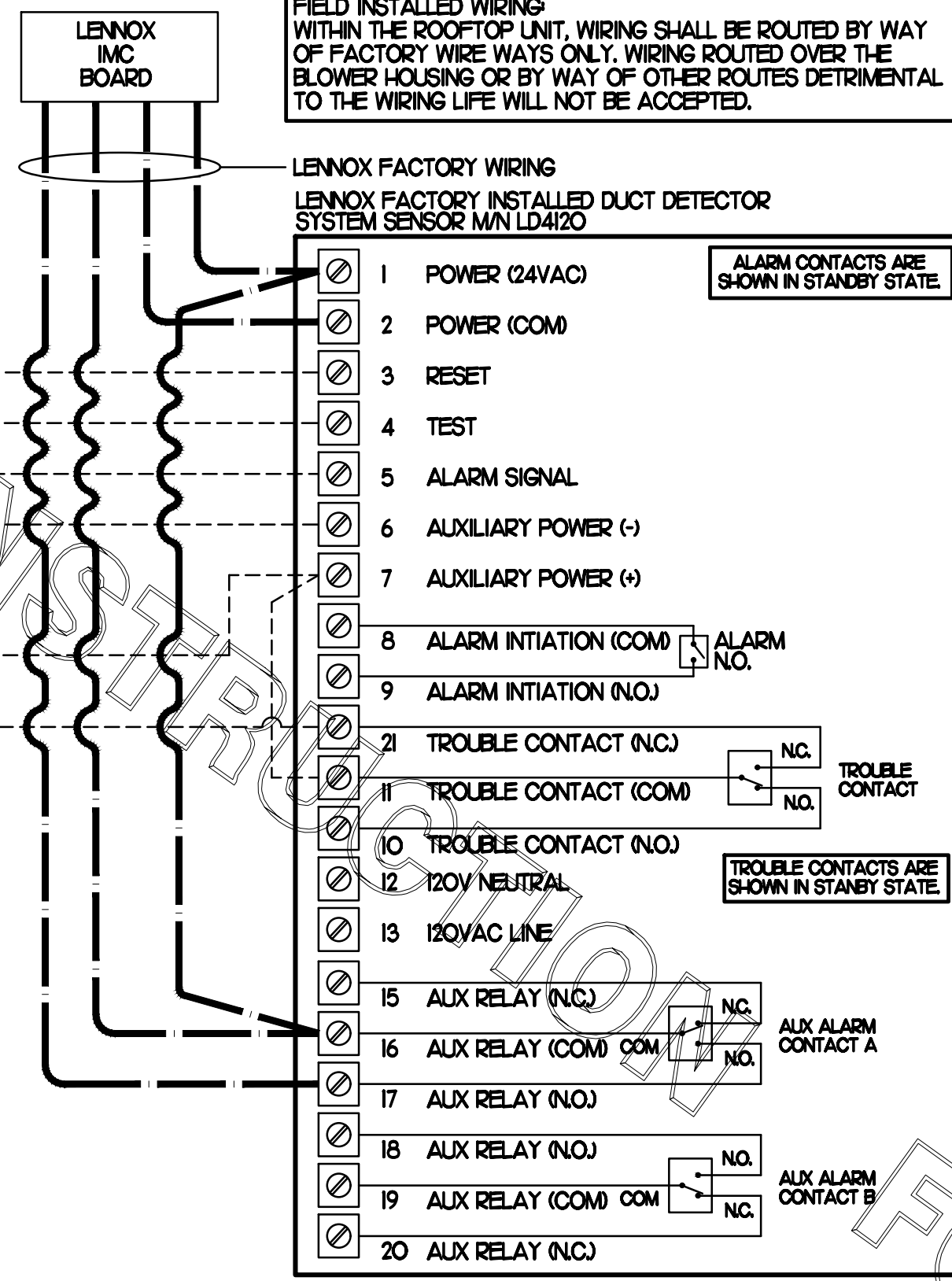
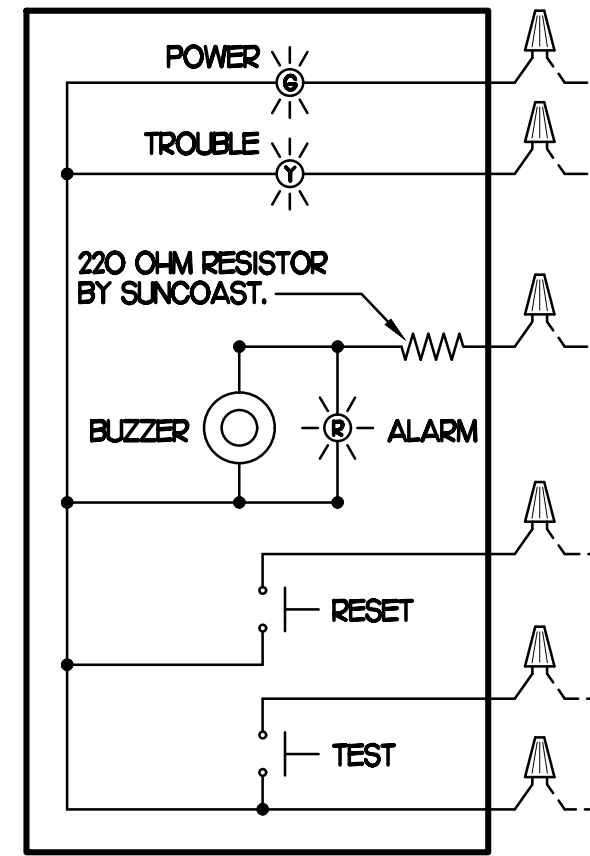
CONSTRUCTION

SUPPLY SIDE DUCT DETECTORS WHERE SUPPLY SIDE DUCT DETECTORS ARE SHOWN ON DWG M.I. AND/OR CALLED FOR ON THE RTU SCHEDULE, THE CONTRACTOR IS TO RELOCATE THE FACTORY INSTALLED SUPPLY SIDE DUCT DETECTOR FROM THE BLOWER SECTION TO THE DUCTWORK. SEE NOTES ON DWG M.I.

**LEGEND**  
 - - - 18 AWG MIN WIRING BY MECH CONTRACTOR  
 - - - FACTORY ANNUNCIATOR DETECTOR WIRING  
 - - - FACTORY LENNOX WIRING

**LABELING**  
 PROVIDE ENGRAVED LABEL WITH 1" HIGH WHITE LETTERS ON BLACK BACKGROUND IDENTIFYING UNIT SERVED.

**SUNCOAST CONTROLS ANNUNCIATOR**



FIELD INSTALLED WIRING WITHIN THE ROOFTOP UNIT. WIRING SHALL BE ROUTED BY WAY OF FACTORY WIREWAYS ONLY. WIRING ROUTED OVER THE BLOWER HOUSING OR BY WAY OF OTHER ROUTES DETRIMENTAL TO THE WIRING LIFE WILL NOT BE ACCEPTED.

LENNOX FACTORY WIRING  
 LENNOX FACTORY INSTALLED DUCT DETECTOR SYSTEM SENSOR M/N LD4120

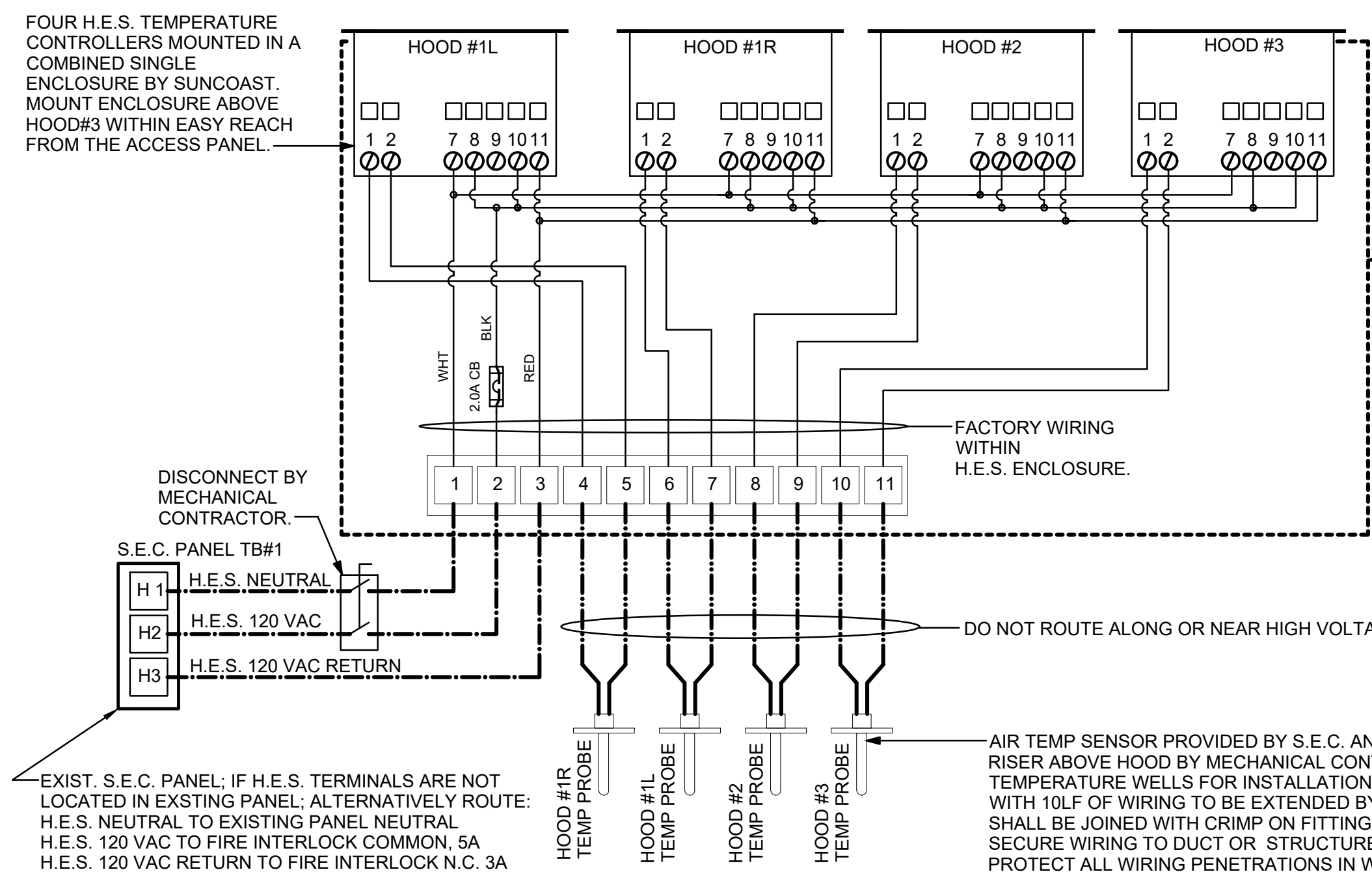
**1 SMOKE DETECTOR AND ANNUNCIATOR WIRING DIAGRAM - LENNOX**

NO SCALE

**LEGEND**  
 S.E.C. SUNCOAST ENVIRONMENTAL CONTROLS CFA-500 ENERGY MGT PANEL  
 H.E.S. SUNCOAST ENVIRONMENTAL CONTROLS HOOD EXHAUST SAFETY CONTROLLER  
 M.C. MECHANICAL CONTRACTOR  
 - - - 18 AWG MIN UNSHIELDED LOW VOLTAGE WIRING BY MC, U.N.O.  
 - - - 120 VAC WIRING BY MECHANICAL CONTRACTOR

**GENERAL NOTES**  
 1. MECHANICAL CONTRACTOR TO PURCHASE THE H.E.S. CONTROL PANEL AND COMPONENTS FROM SUNCOAST ENVIRONMENTAL CONTROLS. TELEPHONE 877-544-6679. CONTROLS COMPONENTS TO BE FACTORY MOUNTED IN LABELED NEMA-1 ENCLOSURES.  
 2. MECHANICAL CONTRACTOR TO PROVIDE A PROFESSIONALLY LAMINATED COPY OF THIS DETAIL ATTACHED TO THE ENCLOSURE. CONTACT ENGINEER OF RECORD FOR A REPRODUCIBLE COPY OF THE DETAIL.

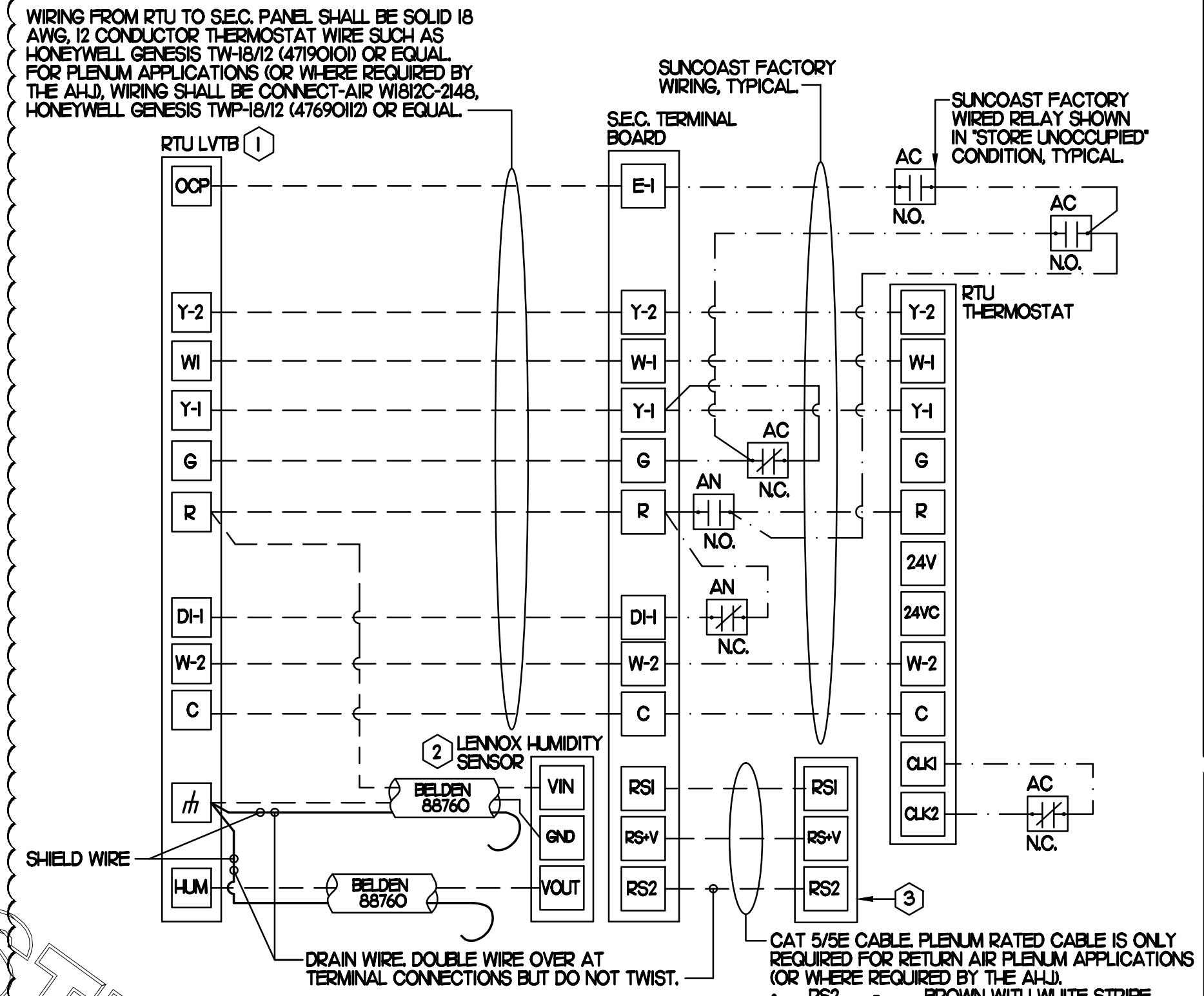
**S.E.C. H.E.S. OPERATION**  
 IN THE EVENT THAT ANY COOKING EQUIPMENT ITEM BENEATH ANY HOOD IS STARTED WITHOUT THE 'STORE SWITCH' BEING IN THE 'OCCUPIED' POSITION, THE H.E.S. CONTROLLER WILL SENSE THE HEAT RISE WITHIN THE HOOD CANOPY AND ENERGIZE THE EXHAUST FANS.



**3 HOOD EXHAUST SAFETY SWITCH (H.E.S.) WIRING DIAGRAM**

NONE

**LEGEND**  
 S.E.C. SUNCOAST ENVIRONMENTAL CONTROLS (SUPPLIER OF TEMP/FAN CONTROL PANEL LOCATED IN KITCHEN)  
 KEY NOTE REFERENCE  
 MC MECHANICAL CONTRACTOR  
 (AC) SUNCOAST RELAY FACTORY INSTALLED AND WIRED IN CFA-500 PANEL, ENERGIZED BY PUTTING STORE SWITCH IN 'STORE OCCUPIED' POSITION.  
 (AN) SUNCOAST RELAY FACTORY INSTALLED AND WIRED IN CFA-500 PANEL, DE-ENERGIZED WHEN ANSLL FIRE SUPPRESSION SYSTEM IS ACTIVATED, AS NOTED.  
 - - - LOW VOLTAGE WIRING BY MC. ONLY USE CABLE SPECIFIED. NO SUBSTITUTIONS.  
 - - - LOW VOLTAGE WIRING BY S.E.C.  
 - - - LINE VOLTAGE BY ELECTRICIAN OR S.E.C.



WIRING FROM RTU TO SEC. PANEL SHALL BE SOLID 18 AWG, 12 CONDUCTOR THERMOSTAT WIRE SUCH AS HONEYWELL GENESIS TWP-18/12 (4719010) OR EQUAL FOR PLENUM APPLICATIONS (OR W-HERE REQUIRED BY THE AHU). WIRING SHALL BE CONNECT-AIR W818X-248, HONEYWELL GENESIS TWP-18/12 (4769012) OR EQUAL.

PROVIDE A PROFESSIONALLY LAMINATED COPY OF THESE DETAILS TO BE INSTALLED INSIDE THE ROOFTOP UNIT CONTROL CABINET. USE A SETON CHART FRAME STYLE #68624, TELEPHONE NUMBER 800-243-6624, FOR MOUNTING THE DETAIL. ATTACH THE FRAME TO THE INTERIOR OF THE UNIT IN PLAIN AND EASY VIEW OF THE CONTROLS SECTION. CONTACT ENGINEER OF RECORD FOR A REPRODUCIBLE COPY OF THE DETAIL.

**NOTES**  
 1. FOR ALL RTUS EXCEPT AT KITCHEN RTUS, CHANGE PRODIGY-M3 BOARD CONTROL PARAMETER #65 TO ZERO (#68 ON LCH UNITS). ON OLDER BOARDS THIS IS ECTO PARAMETER 3.01 FOR LCH UNITS OR ECTO 2.01 FOR LCH UNITS. THIS WILL CAUSE THE O.A. DAMPER TO OPEN ON 'OCCUPIED' START. AT KITCHEN RTUS (LGH TYPE) LEAVE THE SETTINGS AT THE DEFAULT VALUE SO THE O.A. DAMPER WILL REMAIN CLOSED FOR THE FIRST 60 MINUTES AFTER 'OCCUPIED' START. AT KITCHEN RTUS (LCH TYPE) CHANGE THE VALUE TO 5400 SO THE O.A. DAMPER WILL REMAIN CLOSED FOR THE FIRST 90 MINUTES AFTER 'OCCUPIED' START.  
 2. MECHANICAL CONTRACTOR SHALL MAKE PLASTIC LAMINATE OF THIS DETAIL AND INSTALL PERMANENTLY ON INSIDE DOOR OF ROOFTOP UNIT CONTROL COMPARTMENT.  
 3. SEE DETAILS THIS SHEET FOR SMOKE DETECTOR AND ANNUNCIATOR WIRING.  
 4. AT HUMIDITROL RTUS SET PRODIGY-M3 BOARD CONTROL PARAMETER #106 FOR DEHUMIDIFICATION OPERATION TO A VALUE OF 7. OLDER M-8 IMC BOARD ECTO PARAMETER 424 VALUE TO BE SET TO A VALUE OF 7.  
 5. AT HUMIDITROL RTUS, SET PRODIGY-M3 BOARD CONTROL PARAMETER #106 FOR DEHUMIDIFICATION SET POINT TO A VALUE OF 60 (60% RH).  
 6. AT HUMIDITROL RTUS, SET PRODIGY-M3 BOARD CONTROL PARAMETER #107 FOR DEHUMIDIFICATION MODE DEAD BAND TO A VALUE OF 2 (2% RH).  
 7. SET ALL THERMOSTATS FOR AUTO CHANGEOVER.  
 8. FOR MSAV UNITS, SET THE MSAV LOW SPEED SETTING TO THE SAME VALUE AS THE HIGH SPEED SETTING AFTER TAB IS COMPLETE.  
 9. PROVIDE PLASTIC ENGRAVED LABEL AT ALL NEW SENSORS WITH 1/2" HIGH WHITE LETTERING ON BLACK BACKGROUND, IE 'ACH2 HUMIDITY SENSOR' OR 'ACH2 TEMP SENSOR'. PLACE LABELS ON WALL ADJACENT TO DEVICE. DO NOT APPLY DIRECTLY TO DEVICE.

**KEYED NOTES**  
 ① LOW VOLTAGE WIRING TO RTU TO BE ROUTED TO UNIT THRU FACTORY WIREWAY.  
 ② HUMIDITROL UNITS ONLY: WIRING TO HUMIDITY SENSOR TO BE MADE WITH TWO SEPARATE RUNS OF SHIELDED TWISTED PAIR. TERMINATE SHIELD WIRES AT TB-1, LEAVE OPEN AT SENSOR.  
 ③ NETWORK TSTAT REMOTE TEMP SENSOR PROVIDED BY SUNCOAST AND INSTALLED BY MC. FIELD CALIBRATE EACH SENSOR.

**2 ROOFTOP UNIT CONTROL WIRING - LENNOX**

NONE



**Chick-fil-A**

Chick-fil-A  
 5200 Buffington Road  
 Atlanta, Georgia 30349

**Kurzynske & Associates**  
 CONSULTING ENGINEERS  
 2705 Lebanon Pike - Suite One  
 Nashville, Tennessee 37214  
 Telephone: (615) 255-5203



**CHICK-FIL-A**  
 Mercury Blvd.  
 110 Market Place Dr.  
 Hampton, VA 23666

**FSR#02240**

BUILDING TYPE / SIZE: S06C-R  
 RELEASE:

NO.	DATE	DESCRIPTION
3	12/14/23	Bid Set Update

CONSULTANT PROJECT # 23125.HF.R  
 PRINTED FOR CONSTRUCTION  
 DATE 08/09/2023  
 DRAWN BY DSF

Information contained on this drawing and in all digital files produced for above named project may not be reproduced in any manner without express written or verbal consent from authorized project representatives.

SHEET HVAC CONTROLS

SHEET NUMBER

**M4.1**

# I. SECTION C15000 - MECHANICAL SPECIFICATIONS

## PART I - GENERAL

- 1.01 SCOPE
- A. IT IS THE RESPONSIBILITY OF CONTRACTOR TO READ ALL SPECIFICATIONS AND CONSULT ALL DRAWINGS WHICH MAY AFFECT THE INSTALLATION AND COORDINATION OF HIS WORK WITH OTHER TRADES. CONTRACTOR SHALL COORDINATE AND MAKE MINOR ADJUSTMENTS IN LOCATION OF EQUIPMENT AND MATERIALS AS NECESSARY TO SECURE COORDINATION.
- B. COMPLETED INSTALLATION SHALL CONFORM TO ALL APPLICABLE FEDERAL, STATE AND LOCAL CODES AND ORDINANCES, INCLUDING BUT NOT LIMITED TO THE LATEST APPROVED EDITIONS OF NFPA-96, NFPA-90A, NFPA-95, SMACNA, ASHRAE 90.1 AND ASHRAE 62.
- C. SYSTEM LAYOUT IS SCHEMATIC AND EXACT LOCATIONS SHALL BE DETERMINED BY STRUCTURAL CONDITIONS, COORDINATION WITH OTHER TRADES, COORDINATION WITH FINISHES AND OTHER CONDITIONS. STRUCTURAL SUPPORTS SHALL NOT BE CUT OR ALTERED TO ASSURE FIT OF HVAC SYSTEM. TEN FOOT CLEARANCE SHALL BE MAINTAINED BETWEEN OUTSIDE AIR INTAKES AND EXHAUST FANS AND PLUMBING VENT TERMINALS.
- D. CONTRACTOR SHALL BE RESPONSIBLE FOR ALL DEFECTS, REPAIRS AND REPLACEMENTS IN MATERIALS AND WORKMANSHIP FOR A PERIOD OF ONE (1) YEAR AFTER FINAL PAYMENT IS APPROVED. CONTRACTOR SHALL HONOR FACTORY WARRANTIES ON ALL EQUIPMENT PROVIDED AS PART OF THIS SYSTEM.
- E. UPON COMPLETION OF PROJECT, ALL SYSTEM EQUIPMENT AND MATERIALS SHALL BE IN NEW, CLEAN CONDITION WITH ALL DAMAGE RESTORED TO CONDITION ACCEPTABLE TO THE OWNERS REPRESENTATIVE. ALL EQUIPMENT, COMPONENTS AND DUCTWORK SHALL BE INSPECTED AND THOROUGHLY CLEANED, READY FOR USE. AT COMPLETION OF JOB, ALL MISCELLANEOUS TOOLS, SCAFFOLDING, SURPLUS MATERIALS, RUBBISH AND DEBRIS SHALL BE REMOVED BY CONTRACTOR.
- F. CONTRACTOR SHALL PROVIDE TWO SETS OF 2" MERV 8 OR HIGHER THROW AWAY TYPE FILTERS. A CLEAN SET SHALL BE PROVIDED PRIOR TO TEST AND BALANCE AND AGAIN PRIOR TO OPENING.

## PART II - PRODUCTS

- 2.01 HEATING AND COOLING EQUIPMENT (C15730)
- A. FURNISH AND INSTALL R-410A ROOFTOP SINGLE PACKAGE COMBINATION ELECTRIC COOLING AND ELECTRIC HEATING UNITS BY LENNOX AS SHOWN ON DRAWINGS. EQUIPMENT SHALL BE ARI CERTIFIED AND U.L. LISTED.
- B. ACCESSORIES SHALL INCLUDE LOW AND HIGH PRESSURE SAFETIES, CRANK CASE HEATER, OVERCURRENT AND OVERTEMPERATURE SAFETY, COMPRESSOR VIBRATION ISOLATORS, FILTER DRIERS, REFRIGERANT SERVICE VALVES, COIL HAIL GUARDS WHERE SCHEDULED, CONVENIENCE OUTLETS FACTORY INSTALLED ON SCHEDULED UNITS, UNIT MOUNTED NON-FUSED DISCONNECTS, LOW AMBIENT OPERATION DOWN TO 30 DEGREES F AND EVAPORATOR FREEZE STAT.
- C. COMPRESSORS SHALL BE FULLY HERMETIC SCROLL TYPE WITH INTERNAL VIBRATION ISOLATORS. COMPRESSORS SHALL BE PROVIDED WITH A MINIMUM FIVE (5) YEAR FULL WARRANTY.
- D. THE UNIT HEATING ELEMENTS SHALL BE BARE NICHROME WIRE EXPOSED TO THE AIR STREAM. HEATING CONTROLS SHALL INCLUDE TIME DELAY THAT SHALL BRING ELEMENTS ON AND OFF IN SEQUENCE WITH TIME DELAY BETWEEN EACH ELEMENT. HEATING SHALL BE PROVIDED IN TWO STAGES. LIMIT CONTROL SHALL PROVIDE OVERLOAD AND SHORT CIRCUIT PROTECTION. HEATER SHALL HAVE A ONE (1) YEAR WARRANTY.
- E. CHICK-FIL-A MAINTAINS A NATIONAL ACCOUNT FOR EQUIPMENT WITH LENNOX CORPORATION. PRICING FOR THE EQUIPMENT HAS BEEN ESTABLISHED IN ADVANCE. CONTACT LENNOX NATIONAL ACCOUNTS AT 972-497-6260 (OR BY FAX AT 972-497-5112) FOR PRICING, ORDERING AND AVAILABILITY.

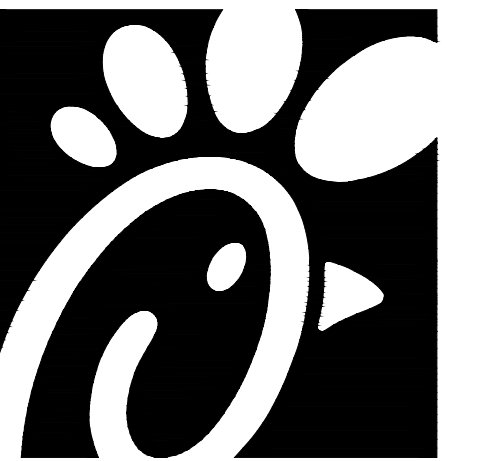
- 2.02 DUCTWORK (C15735) (SEE DWG M-301 FOR ADDITIONAL GREASE DUCT SYSTEM REQ.)
- A. ACCEPTABLE MANUFACTURERS OF INSULATION ARE MANVILLE, OWENS CORNING OR KNAUF.
- B. ALL DUCTWORK SHALL BE SHEET METAL, UNLESS NOTED OTHERWISE (U.N.O.).
- C. DUCT DIMENSIONS SHOWN ARE INSIDE CLEAR DIMENSIONS, U.N.O.
- D. CONSTRUCTION OF DUCTWORK SHALL MEET SMACNA 1" W.C. PRESSURE CLASS STANDARD AND RECOMMENDATIONS. SMACNA SHALL BE FOLLOWED WITH RESPECT TO GAGE THICKNESS, JOINTS, REINFORCING, CONSTRUCTION, INSTALLATION AND SUPPORT FOR PRESSURE CLASS STATED. ALL TRANSVERSE JOINTS IN RECTANGULAR AND ROUND DUCT SHALL BE SEALED PER SMACNA SEAL CLASS C WITH U.L. DUCT MASTIC SEALANT APPROVED FOR INTENDED USE. DUCT TAPE IS NOT AN ACCEPTABLE SUBSTITUTE FOR MASTIC UNLESS EQUAL TO HARDCAST FOIL-GRIP 1402 BUTYL RUBBER ADHESIVE TAPE.
- E. ALL DUCT INSULATION SHALL MEET MINIMUM R-VALUE REQUIRED BY ASHRAE 90.1 LATEST EDITION. ALL DUCT WRAP SHALL BE MINIMUM 2" THICK, 3/4 PCF AND 5.6 R-VALUE INSTALLED WITH EITHER A VAPOR BARRIER WITH MAXIMUM PERMEANCE 0.05 OR A MINIMUM 2 MIL ALUMINUM REINFORCED FOIL/KRAFT FACING.
- F. ALL DUCT DROPS FROM THE ROOFTOP UNITS SHALL BE EXTERNALLY INSULATED.
- G. SUPPLY AND RETURN AIR DUCTWORK SERVING ALL AREAS SHALL BE EXTERNALLY INSULATED.
- H. ALL AIR CONVEYANCE COMPONENTS SUCH AS, BUT NOT LIMITED TO DUCT, DUCT PLENUMS, GRILLES/DIFFUSERS, BACK PANS, AND BOOTS SHALL BE INSULATED. INSULATION TYPE IS COVERED ELSEWHERE IN THIS SPECIFICATION.
- I. RESTROOM RECTANGULAR EXHAUST AIR DUCTWORK SHALL BE LINED WITH 1" THICK, 1-1/2 PCF INSULATION.
- J. TRUNK DUCTS SHALL BE ISOLATED FROM UNIT VIBRATION WITH THE USE OF NFPA AND U.L. APPROVED FLEXIBLE CONNECTORS INSTALLED AT THE TOP OF BOTH SUPPLY AND RETURN DROPS.
- K. INSULATED FLEXIBLE DUCT MAY BE UTILIZED FOR RUNOUTS TO GRILLES AND DIFFUSERS ONLY IN THE HORIZONTAL POSITION AND IN MAXIMUM LENGTHS OF 4'-0", NO EXCEPTIONS. SEE TAKE-OFF DETAIL ON DRAWING M-401.
- L. CONSTRUCTION OF FLEXIBLE DUCTWORK SHALL INCLUDE SPIRAL METAL HELIX BONDED TO A POLYESTER CORE, FIBERGLASS INSULATION WITH POLYETHYLENE OR MYLAR VAPOR BARRIER. ALL COMPONENTS SHALL HAVE APPROPRIATE U.L. APPROVAL AND SHALL BE EQUIVALENT TO THERMAFLEX MKE.
- M. FLEXIBLE DUCT SHALL BE INSTALLED PER THE "ADC FLEXIBLE DUCT PERFORMANCE AND INSTALLATION STANDARDS, 4TH ED" USING FOIL TAPE AND DRAWBAND ON THE INNER CORE AND TAPE OR DRAWBAND ON THE OUTER JACKET.
- N. DUCT TAPE SHALL BE EQUAL TO FASSON 181-B FX, 2-1/2" WIDE.
- O. SINGLE THICKNESS TURNING VANES SHALL BE INSTALLED AT 90 DEGREE TURNS IN SUPPLY DUCTWORK WHERE ANY ONE DIMENSION IS GREATER THAN 12".
- P. RADIUSSED ELBOWS MAY BE SUBSTITUTED FOR 90 DEGREE ELBOWS AT THE DISCRETION OF THE CONTRACTOR. CENTERLINE RADIUS EQUAL TO; R=W PER FIGURE NO. 2-2 IN SMACNA HVAC DUCT CONSTRUCTION STANDARDS.
- Q. EXTERNAL INSULATION ON BOTTOM OF DUCTS 24" OR WIDER SHALL BE SUPPORTED WITH STICK PINS ON 18" CENTERS. STICK PIN WASHERS SHALL BE COVERED WITH DUCT TAPE OR MASTIC.

## 2.03 CONTROLS (C15735)

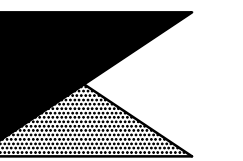
- A. SYSTEMS SHALL BE COMPLETE WITH CONNECTIONS TO EXISTING CFA-500 TEMPERATURE CONTROL PANEL AS MANUFACTURED BY SUNCOAST ENVIRONMENTAL CONTROLS (S.E.C.) (PH: 877-544-6679). CONTROL WIRING TERMINATIONS ARE BY THE MECHANICAL CONTRACTOR.
- B. THE SMOKE DETECTORS SHALL BE FACTORY INSTALLED AND WIRED BY THE ROOFTOP UNIT MANUFACTURER.
- C. A FACTORY INSTALLED SMOKE DETECTOR IN THE RETURN AIR SECTION OF EACH AIR CONDITIONING UNIT SHALL STOP THE INDOOR FAN AND CLOSE THE OUTSIDE AIR DAMPER IN THE EVENT OF EXCESSIVE TEMPERATURE OR SMOKE. SMOKE DETECTOR SHALL BE LOCATED PRIOR TO ANY EXHAUST FROM THE BUILDING OR MIXING WITH FRESH AIR MAKE-UP. UPON DETECTION, THE SYSTEM SHALL NOT RESTART UNTIL THE DEVICE IS MANUALLY RESET. DEVICES SHALL BE LOCATED WHERE THEY CAN BE EASILY ACCESSED AND WHERE CLEAR OF FILTERS.
- D. CHICK-FIL-A HAS A NATIONAL ACCOUNT WITH SUNCOAST ENVIRONMENTAL CONTROLS FOR THE SMOKE DETECTOR TEST/RESET ANNUNCIATOR STATIONS. THE TEST/RESET STATIONS WILL BE PURCHASED AND INSTALLED BY THE MECHANICAL CONTRACTOR AS A PART OF A NATIONAL ACCOUNT PACKAGE.
- E. THE REMOTE TEST/RESET ANNUNCIATORS SHALL BE PROVIDED AND INSTALLED BY THE MECHANICAL CONTRACTOR. INSTALLATION BY MECHANICAL SHALL INCLUDE MOUNTING OF THE ANNUNCIATORS AND ALL WIRING FROM EACH DEVICE TO THE RTU OR AHU. PROVIDE A JUNCTION BOX IN THE WALL WITH 1/2" CONDUIT STUBBED UP ABOVE THE CEILING FOR EACH REMOTE TEST STATION. ANNUNCIATOR SHALL BE SUNCOAST CONTROLS REMOTE TEST/RESET STATION WITH POWER LED, TROUBLE LED, ALARM LED, 90DB HORN AND TEST/RESET BUTTON.
- F. THE RESTROOM FAN SHALL BE INTERLOCKED TO THE LIGHTS SERVING THE MEN AND WOMEN'S RESTROOMS. THE HOOD FANS SHALL BE CONTROLLED VIA THE SUNCOAST CFA-500 CONTROL PANEL. WIRING, RELAYS AND SWITCHES FOR CONTROL OF ALL FANS ARE BY ELECTRICAL CONTRACTOR.
- G. LENNOX UNITS - THERMOSTATS ARE PROVIDED AND INTEGRATED INTO THE TEMPERATURE CONTROL PANEL BY SUNCOAST ENVIRONMENT CONTROLS. SUNCOAST WILL PROVIDE A NETWORK THERMOSTAT US32-CFA TSTAT PRE-WIRED IN THE TEMPERATURE CONTROL PANEL. A REMOTE TEMPERATURE SENSOR FOR EACH THERMOSTAT IS ALSO PROVIDED. SOME UNITS MAY HAVE MORE THAN ONE SENSOR. MECHANICAL CONTRACTOR SHALL INSTALL ALL WIRING BETWEEN THE THERMOSTAT, THE REMOTE SENSOR AND THE ROOFTOP UNIT OR AHU.
- H. MECHANICAL CONTRACTOR SHALL INSTALL CONTROL WIRING IN 1/2" CONDUIT WHERE REQUIRED BY CODE. WHERE NOT REQUIRED TO BE IN CONDUIT, ALL WIRING SHALL BE RUN PARALLEL TO STRUCTURAL MEMBERS OR PERPENDICULAR WITH NO DIAGONAL ROUTING. ALL WIRING SHALL BE SECURED TO THE FRAMING TO PREVENT SAGGING IN RUNS. WIRING TO ROOFTOP UNITS SHALL BE ROUTED THROUGH THE FACTORY THRU-BASE FITTING IN THE UNIT BASE. NO SPLICING OF WIRING WILL BE ACCEPTED. ALL WIRING ABOVE THE ROOF SHALL BE INSTALLED IN EXTERIOR GRADE FLEXIBLE CONDUIT. ALL CONTROL WIRING AND CONTROL WIRING CONDUIT SHALL BE FURNISHED AND INSTALLED BY THE MECHANICAL CONTRACTOR. WIRING SHALL BE INSTALLED IN ACCORDANCE WITH LATEST EDITION OF NEC. ALL LOW VOLTAGE CONTROL WIRING SHALL BE NO LESS THAN 18 AWG MIN. CONTROL WIRING CONDUCTORS SHALL BE SIZED TO ACCOUNT FOR LOAD AND LENGTH OF RUN TO ALLOW SUFFICIENT VOLTAGE AVAILABLE AT CONTROLLED DEVICE TO OPERATE THE SYSTEM RELIABLY.

## PART III - EXECUTION

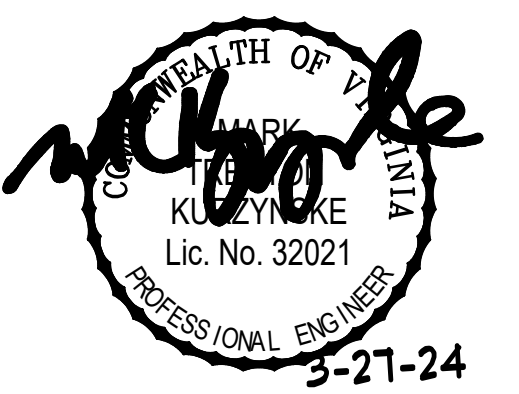
- 3.01 SCOPE
- A. FURNISH AND INSTALL SYSTEM IN ACCORDANCE WITH REFERENCED STANDARDS, APPLICABLE CODES, MANUFACTURER'S RECOMMENDATIONS AND AS INDICATED ON DRAWINGS.
- B. OWNER SHALL TEST AND BALANCE MECHANICAL SYSTEM IN ACCORDANCE WITH NCI OR AABC STANDARDS TO ASSURE CONFORMANCE WITH DESIGN. G.C. WILL MAKE MECHANICAL CONTRACTOR AVAILABLE DURING TEST AND BALANCE TO ASSIST TESTING AGENCY AND TO MAKE CORRECTIONS IMMEDIATELY NECESSARY. CONTRACTOR SHALL CORRECT ITEMS ON WRITTEN TEST AND BALANCE REPORT.
- C. CONTRACTOR SHALL INSTRUCT THE OWNER'S REPRESENTATIVE IN ALL MATTERS PERTAINING TO THE PROPER MAINTENANCE OF EQUIPMENT FURNISHED UNDER THIS CONTRACT THROUGH DEMONSTRATION AND EXPLANATION OF OPERATING & MAINTENANCE MANUALS.
- D. CONTRACTOR SHALL PROVIDE A "SAMPLE MAINTENANCE PROPOSAL" TO THE OWNER'S REPRESENTATIVE IN ALL MATTERS PERTAINING TO THE PROPER MAINTENANCE OF EQUIPMENT FURNISHED UNDER THIS CONTRACT.
- E. CONTRACTOR SHALL COMPLETE A/C EQUIPMENT STARTUP DOCUMENTATION PROVIDED BY OWNER.



**Chick-fil-A**  
5200 Buffington Road  
Atlanta, Georgia 30349



**Kurzynske & Associates**  
CONSULTING ENGINEERS  
2705 Lebanon Pike - Suite One  
Nashville, Tennessee 37214  
Telephone: (615) 255-8203



**CHICK-FIL-A**  
Mercury Blvd.  
110 Market Place Dr.  
Hampton, VA 23666

**FSR#02240**

BUILDING TYPE / SIZE: S06C-R  
RELEASE:

REVISION SCHEDULE  
NO. DATE DESCRIPTION

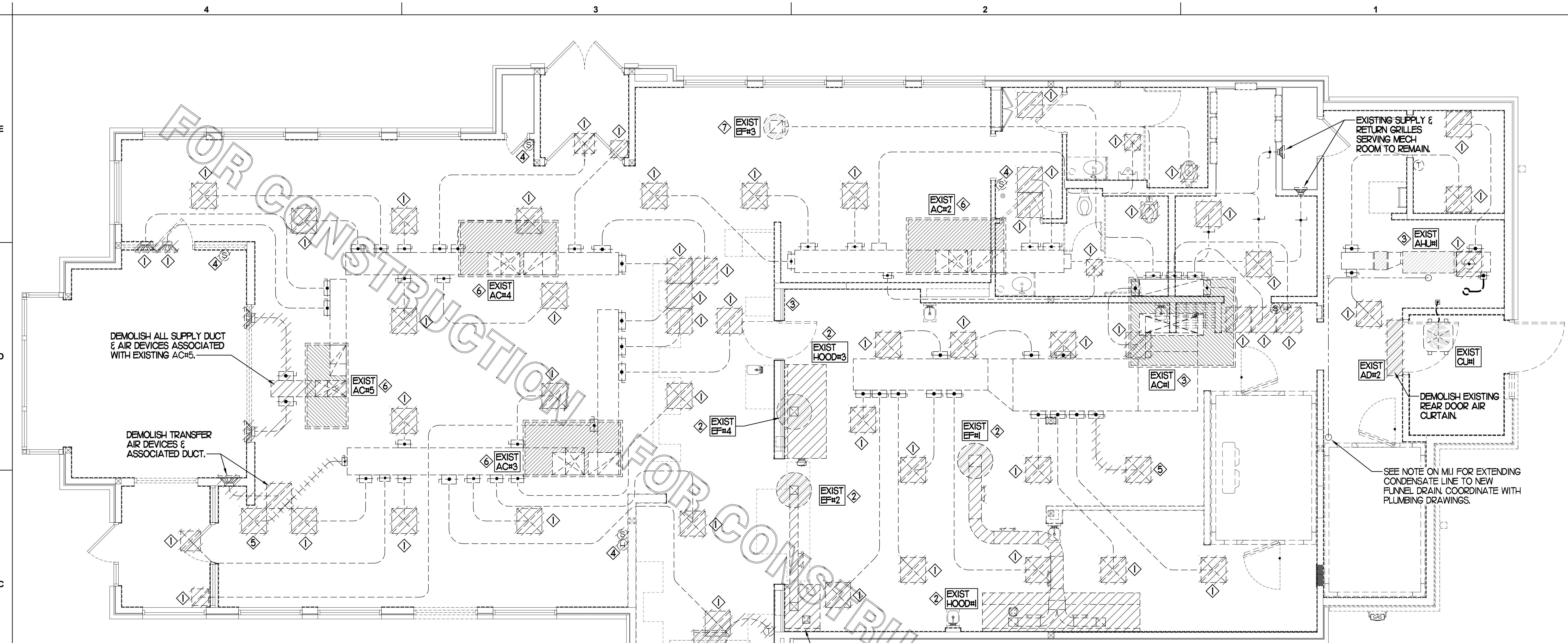
CONSULTANT PROJECT # 23125.HF.R  
PRINTED FOR CONSTRUCTION  
DATE 08/09/2023  
DRAWN BY DSF

Information contained on this drawing and in all digital files produced for above named project may not be reproduced in any manner without express written or verbal consent from authorized project representatives.  
SHEET  
MECHANICAL  
SPECIFICATIONS  
SHEET NUMBER

NATIONAL ACCOUNTS		
1.	LENNOX EQUIPMENT - CONTACT LENNOX NATIONAL ACCOUNTS AT 800-367-6285 (OR BY FAX AT 972-497-5112) FOR PRICING, ORDERING AND AVAILABILITY. LENNOX EQUIPMENT NOT PURCHASED THRU LENNOX NATIONAL ACCOUNTS WILL NOT BE ACCEPTED.	6.
2.	LOREN COOK FAN AND CURB PACKAGE - THE MECHANICAL CONTRACTOR IS REQUIRED TO PURCHASE THE FAN/CURB PACKAGE DIRECTLY FROM TOM BARROW COMPANY. CONTACT MR. SCOTT GEORGE AT 404-351-1010 FOR PRICING AND AVAILABILITY. FANS AND CURBS NOT PURCHASED THRU TOM BARROW COMPANY WILL NOT BE ACCEPTED.	7.
3.	PRICE AIR DEVICES - THE MECHANICAL CONTRACTOR IS REQUIRED TO PURCHASE THE AIR DEVICES DIRECTLY FROM TOM BARROW COMPANY. CONTACT MR. SCOTT GEORGE AT 404-351-1010 FOR PRICING AND AVAILABILITY. AIR DEVICES NOT PURCHASED THRU TOM BARROW COMPANY WILL NOT BE ACCEPTED.	8.
4.	AIR DOORS - THE MECHANICAL CONTRACTOR IS REQUIRED TO PURCHASE THE AIR DOORS DIRECTLY FROM TOM BARROW COMPANY. CONTACT MR. SCOTT GEORGE AT 404-351-1010 FOR PRICING AND AVAILABILITY. AIR DOORS NOT PURCHASED THRU TOM BARROW COMPANY WILL NOT BE ACCEPTED.	9.
5.	HALTON HOODS - CHICK-FIL-A WILL PURCHASE AND PROVIDE THE HOODS FOR INSTALLATION BY THE MECHANICAL CONTRACTOR. THE MECHANICAL CONTRACTOR SHALL BE RESPONSIBLE FOR RECEIVING THE HOODS. CONTACT HALTON CO. AT 270-237-5600 FOR MORE INFO.	
		ROYAL METAL PRODUCTS START COLLARS - THE MECHANICAL CONTRACTOR IS REQUIRED TO PURCHASE THE START COLLARS DIRECTLY FROM TOM BARROW COMPANY. CONTACT MR. SCOTT GEORGE AT 404-351-1010 FOR PRICING AND AVAILABILITY. START COLLARS NOT PURCHASED THRU TOM BARROW COMPANY WILL NOT BE ACCEPTED.
		SPACE RAY INFRARED HEATER PACKAGE - THE MECHANICAL CONTRACTOR IS REQUIRED TO PURCHASE THE HEATER PACKAGE DIRECTLY FROM TOM BARROW COMPANY. CONTACT MR. SCOTT GEORGE AT 404-351-1010 FOR PRICING AND AVAILABILITY. HEATERS NOT PURCHASED THRU TOM BARROW COMPANY WILL NOT BE ACCEPTED.
		CIRCULATING FAN PACKAGE - THE MECHANICAL CONTRACTOR IS REQUIRED TO PURCHASE THE FAN PACKAGE DIRECTLY FROM TOM BARROW COMPANY. CONTACT MR. SCOTT GEORGE AT 404-351-1010 FOR PRICING AND AVAILABILITY. FANS NOT PURCHASED THRU TOM BARROW COMPANY WILL NOT BE ACCEPTED.
		BROMIC ELECTRIC HEATER PACKAGE - THE MECHANICAL CONTRACTOR IS REQUIRED TO PURCHASE THE HEATER DIRECTLY FROM BROMIC COMPANY. CONTACT BLAKE RUSSIE AT 858-381-4850 FOR PRICING AND AVAILABILITY. HEATERS NOT PURCHASED THRU BROMIC COMPANY WILL NOT BE ACCEPTED.

CONSTRUCTION

**M7.1**



**DEMOLITION NOTES**

- ① CONTRACTOR IS RESPONSIBLE FOR OBTAINING ALL NECESSARY PERMITS AND PAYING ALL APPLICABLE FEES.
- ② DISPOSAL OF EQUIPMENT AND MATERIALS REQUIRED TO BE REMOVED SHALL BE THE RESPONSIBILITY OF THE CONTRACTOR PERFORMING THE WORK.
- ③ DE-ENERGIZE ALL ELECTRICAL CIRCUITS RELATED TO EQUIPMENT THAT WILL BE MOVED OR REMOVED PRIOR TO STARTING WORK. DE-ENERGIZED CIRCUITS SHALL BE PROTECTED WITH LOCKING DEVICES USING APPROPRIATE WARNING LABELS.
- ④ MECHANICAL CONTRACTOR SHALL BE RESPONSIBLE FOR PATCHING ROOF AFTER REMOVAL OF EXISTING MECHANICAL EQUIPMENT. SEE ARCHITECTURAL DRAWINGS FOR ROOF PATCHING REQUIREMENTS.
- ⑤ EXCEPT WHERE NOTED, EXISTING REMOTE TEMPERATURE &/OR HUMIDITY SENSORS TO REMAIN. IF DURING RENOVATION PURPOSES CONTROLS SHALL BE TAKEN DOWN, MECHANICAL CONTRACTOR SHALL BE RESPONSIBLE FOR REINSTALLING AND TO PROVIDE ANY ADDITIONAL WIRING NEEDED. VERIFY EXISTING UNIT CONTROLS ARE IN GOOD WORKING ORDER. IF NOT, CONTACT CHICK-FIL-A CONSTRUCTION MANAGER.
- ⑥ MECHANICAL CONTRACTOR SHALL REPLACE FILTERS FOR ALL RTUS AT END OF PROJECT AND PRIOR TO REOPENING. MC TO PROVIDE PROPOSAL TO FACILITIES MANAGER, CONSTRUCTION MANAGER, AND OPERATOR TO CORRECT EXISTING RTU PUNCH ITEMS IDENTIFIED BY HALTON.
- ⑦ CONTRACTOR SHALL INDICATE SALVAGE VALUE IN BID FOR ROOFTOP UNITS BEING REPLACED.

**MECHANICAL DEMOLITION FLOOR PLAN**  
SCALE: 1/4"=1'-0"

DEMOLITION LEGEND	
	EXISTING EQUIPMENT, DUCT, AIR DEVICE ETC. TO REMAIN INTACT
	EQUIPMENT, DUCT, AIR DEVICE ETC. TO BE DEMOLISHED

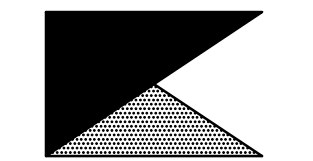
**DEMOLITION KEY NOTES**

- ① DETACH AND DEMOLISH EXISTING AIR DEVICE. SECURE DUCT ABOVE CEILING GRID FOR RE-CONNECTION. SEE SHEET M.II FOR NEW CONNECTION.
- ② DEMOLISH EXISTING HOOD, ALL ASSOCIATED GREASE DUCT, CAPTURE JET FAN AND DIFFUSER (IF EXISTING), EXHAUST FAN, AND ITS ASSOCIATED ROOF CURB. PATCH AND REPAIR ROOF TO MATCH SURROUNDING CONSTRUCTION.
- ③ DEMOLISH EXISTING DUCT (SMOKE DETECTOR(S) AND REMOTE TEST/RESET STATION(S)). SEE SHEET M.II FOR NEW.
- ④ EXISTING REMOTE TEMPERATURE AND/OR REMOTE HUMIDITY SENSORS TO BE REPLACED WITH NEW. DEMOLISH ALL ASSOCIATED CONTROL WIRING. SEE SHEET M.II FOR FURTHER INFORMATION.
- ⑤ DEMOLISH EXISTING AIR DEVICE AND ASSOCIATED BRANCH DUCT. SEAL PLENUM AIR-TIGHT.
- ⑥ EXISTING RTU TO BE REPLACED WITH NEW AS SCHEDULED ON SHEET M3.I. UNLESS NOTED OTHERWISE, DEMOLISH ALL EXISTING UNIT CONTROLS (REMOTE TEMP SENSOR, REMOTE HUMIDITY SENSOR, TSTAT, REMOTE SMOKE DETECTOR ANNUNCIATOR, ETC.). EXISTING ROOF CURB AND SUPPLY & RETURN DUCT TO REMAIN. COVER CURB WEATHER-TIGHT FOR RE-USE. GC BID ALTERNATE: MATERIALS AND LABOR TO BE BILLED UNDER SEPARATE CONTRACT AND COORDINATED VIA WORK ORDER WITH FEQ SPECIALIST.
- ⑦ EXISTING EXHAUST FAN TO BE REPLACED WITH NEW AS SCHEDULED ON SHEET M3.I. UNLESS NOTED OTHERWISE, EXISTING EXHAUST DUCT TO REMAIN. COVER CURB WEATHER-TIGHT FOR RE-USE. GC BID ALTERNATE: MATERIALS AND LABOR TO BE BILLED UNDER SEPARATE CONTRACT AND COORDINATED VIA WORK ORDER WITH FEQ SPECIALIST.



*Chick-fil-A*

**Chick-fil-A**  
5200 Buffington Road  
Atlanta, Georgia 30349



**Kurzynske & Associates**  
CONSULTING ENGINEERS  
2705 Lebanon Pike - Suite One  
Nashville, Tennessee 37214  
Telephone: (615) 255-8203



**CHICK-FIL-A**  
Mercury Blvd.  
110 Market Place Dr.  
Hampton, VA 23666

**FSR#02240**

BUILDING TYPE / SIZE: S06C-R  
RELEASE:

REVISION SCHEDULE		
NO.	DATE	DESCRIPTION

CONSULTANT PROJECT #	23125.HF.R
PRINTED FOR	CONSTRUCTION
DATE	08/09/2023
DRAWN BY	DSF

Information contained on this drawing and in all digital files produced for above named project may not be reproduced in any manner without express written or verbal consent from authorized project representatives.  
SHEET  
MECHANICAL  
DEMO PLAN  
SHEET NUMBER

**M0.1**

CONSTRUCTION