

HOOD NO.	MARK	MODEL	HOOD DIMENSIONS (IN.)			HOOD CONSTR.	COOKING LOAD / DUTY RATING	EXHAUST					SUPPLY		TOTAL WEIGHT LBS.	SECTION LOCATION
			LENGTH	WIDTH	HEIGHT			COLLAR(S)					MUA CFM	AC CFM		
								WIDTH	LENGTH	DIA.	CFM	S.P.				
1	GRIDDLE HOOD	XGEP-64-S	64	TOP 23 BOT 8	FRT 12 BACK 36	430 SS WHERE EXPOSED	MEDIUM	1500	12	12	1500	1.918			137	SINGLE

MARK	MODEL	LOCATION	FLOW POINTS		SUPPLY LINE	DETECTION	MARK(S) PROTECTED BY FIRE SYSTEM
			HOODS	PCU			
FIRE SUPPRESSION GRIDDLE	ANSUL R-102 WET CHEMICAL	REMOTE MOUNTED	6 UTILIZED 11 AVAILABLE		CONTINUOUS	FUSIBLE LINK	GRIDDLE HOOD SECTION 1

HOOD NO.	MARK	LIGHTING DETAILS			GREASE FILTRATION DETAILS			UTILITY CABINET(S)				
		FIXTURE TYPE BULB / LAMP INFO	QTY	FOOT CANDLES	TYPE / MODEL MATERIAL	QTY	SIZE (IN.) L H	LOCATION	FIRE SYSTEM		CONTROLS	
									TYPE	SIZE	MODEL	INTERFACE
1	GRIDDLE HOOD				GREASE GRABBER STAINLESS STEEL	4 0	16 20	16				

FIRE SYSTEM OPTIONS AND ACCESSORIES
 FULL INSTALLATION (INCLUDES PRE-PIPED HOOD(S) WITH DETECTION AND FACTORY COORDINATED INSTALL)
 CHROME SLEEVES FOR FACTORY PROVIDED APPLIANCES DROPS - INCLUDED
 METAL BLOW-OFF CAPS - INCLUDED
 HOOD SUPPRESSION TANK - INCLUDED - 3 GAL. - ((1) 3.0 TANK(S))
 REMOTE PULL STATION - STANDARD - FIELD INSTALLATION AT SINGLE POINT OF EGRESS

HOOD OPTIONS
 UL 710 LISTED W/ OUT EXHAUST FIRE DAMPER - UL #R25625
 BACK NON-INTEGRAL AIR SPACE - 3 IN WIDE
 26 IN HIGH CEILING ENCLOSURES - FRONT LEFT RIGHT - FIELD INSTALLED
 FACTORY MOUNTED EXHAUST COLLAR(S)
 PERFORMANCE ENHANCING LIP (PEL) TECHNOLOGY
 STANDING SEAM CONSTRUCTION FOR SUPERIOR STRENGTH

SPECIAL DESIGN REQUESTS
 SDR #K1100145 - FLUE BYPASS HOOD
 SDR #K1800144 - CULVERS 4VAT 2FIRE PROCESS - GRIDDLE HOOD

SPECIAL DESIGN REQUESTS
 SDR #K1800144 - CULVERS 4VAT 2FIRE PROCESS - GRIDDLE HOOD

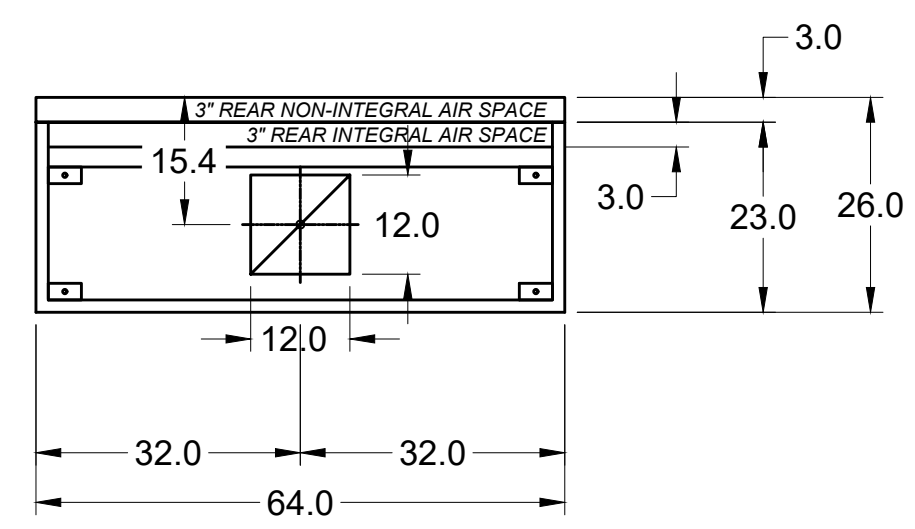
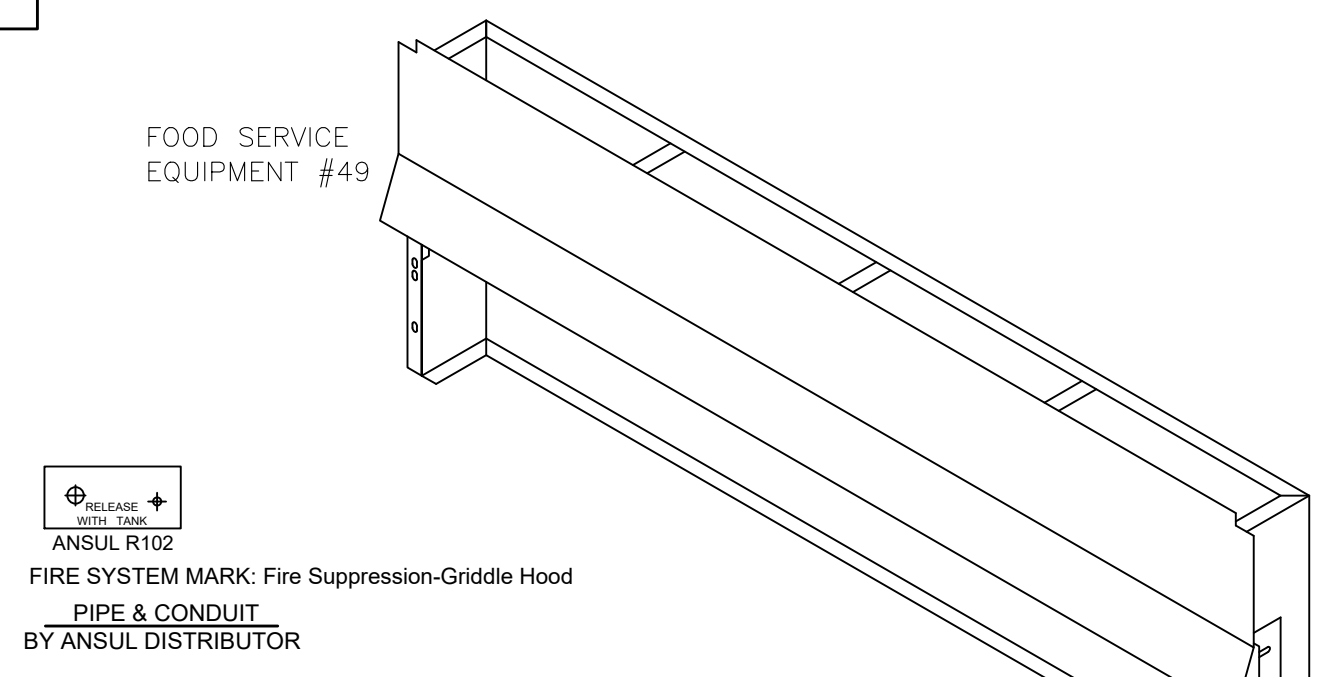
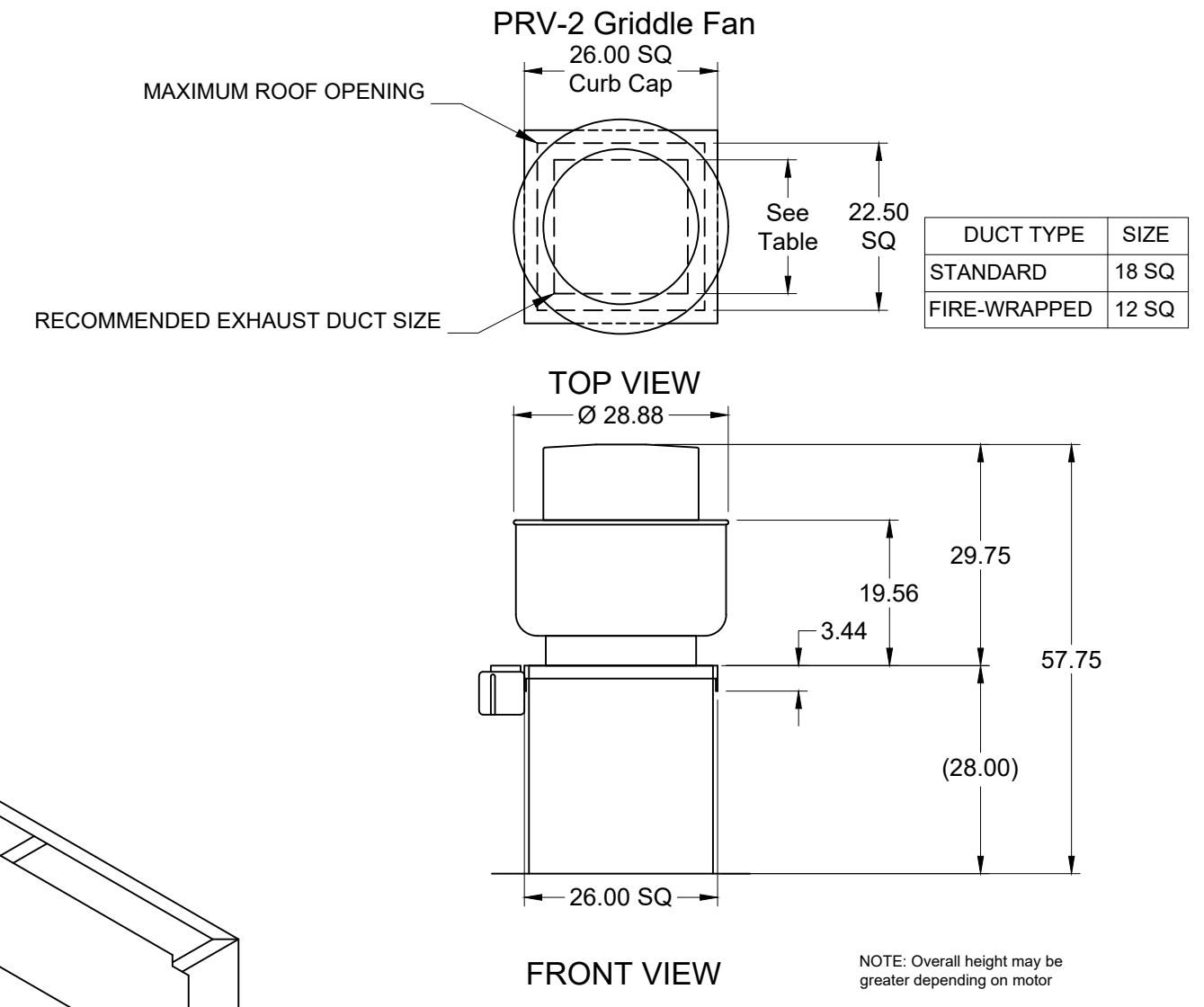
Direct Drive Upblast Centrifugal Roof Exhaust Fan

MARK INFORMATION			FAN INFORMATION					MOTOR INFORMATION					
QTY	MARK	MODEL	VOLUME (CFM)	TOTAL EXTERNAL SP (IN WG)	FAN RPM	OPERATING POWER (HP)	WEIGHT (LB.)	SIZE (HP)	V/C/P	ENCLOSURE	MOTOR RPM	WINDINGS	NEC FLA*
1	PRV-2 Griddle Fan	XCUE-140-VG	1,500	1.801	1,725	0.83	92	1	115/60/1	OP	1725	1	16

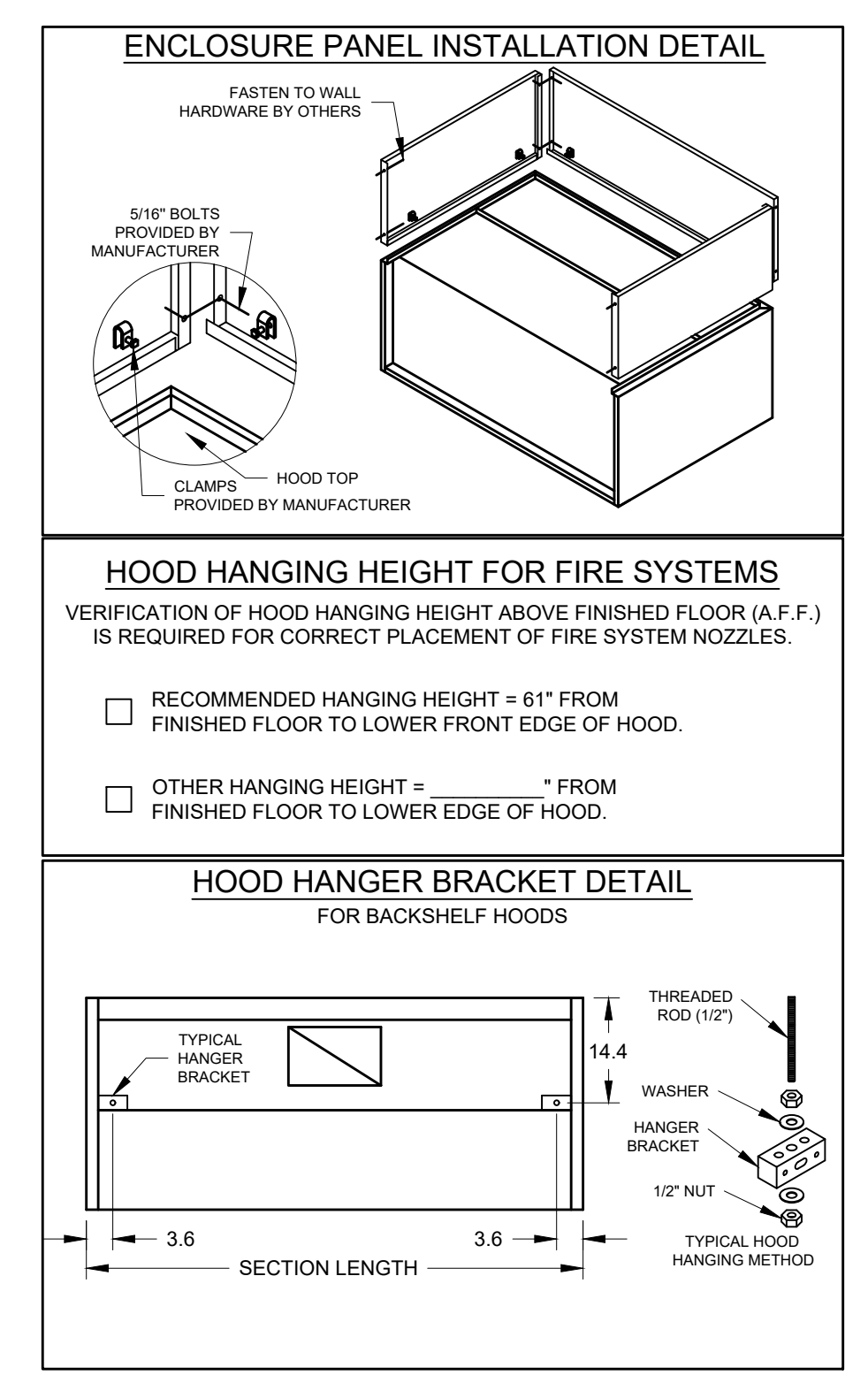
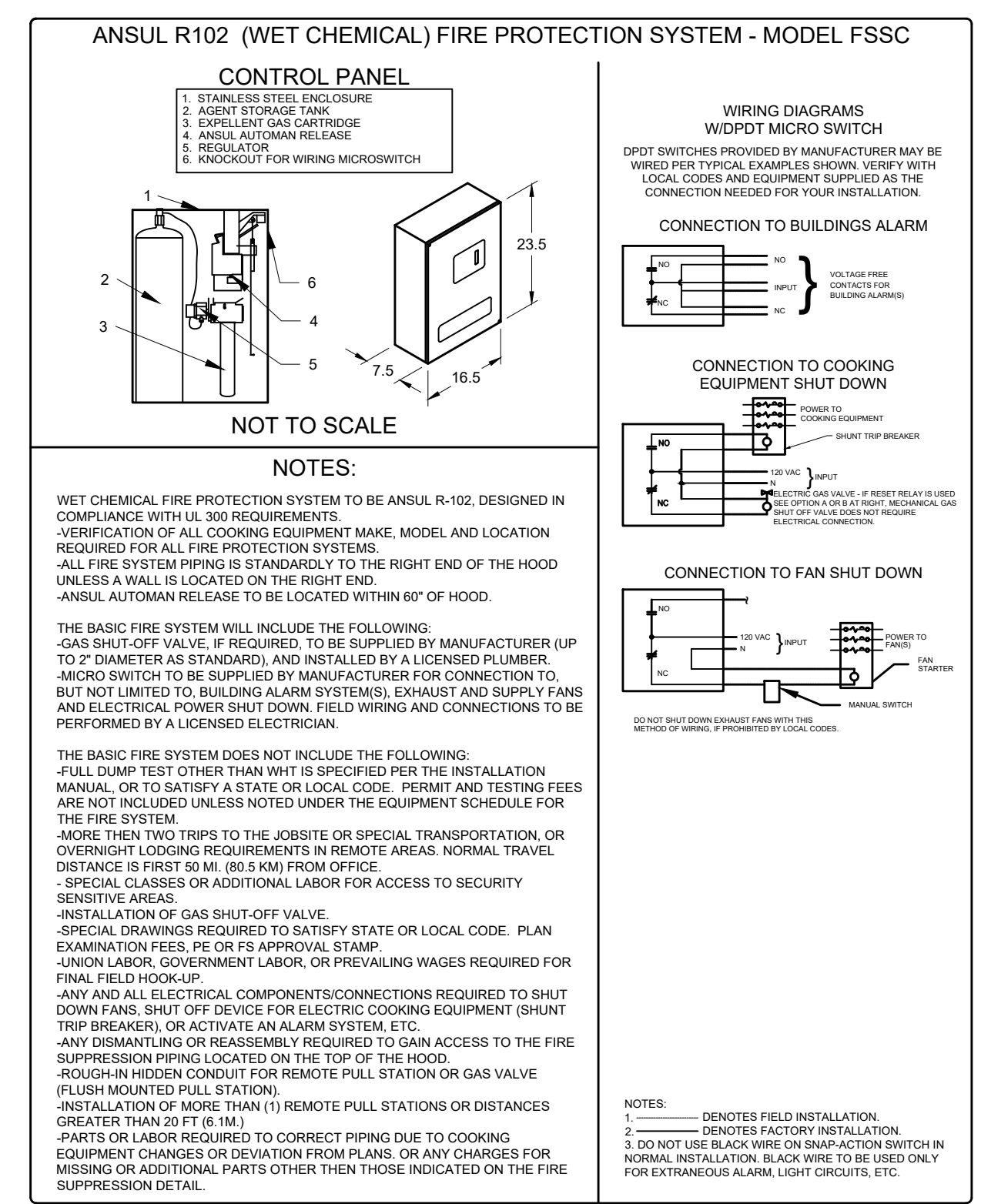
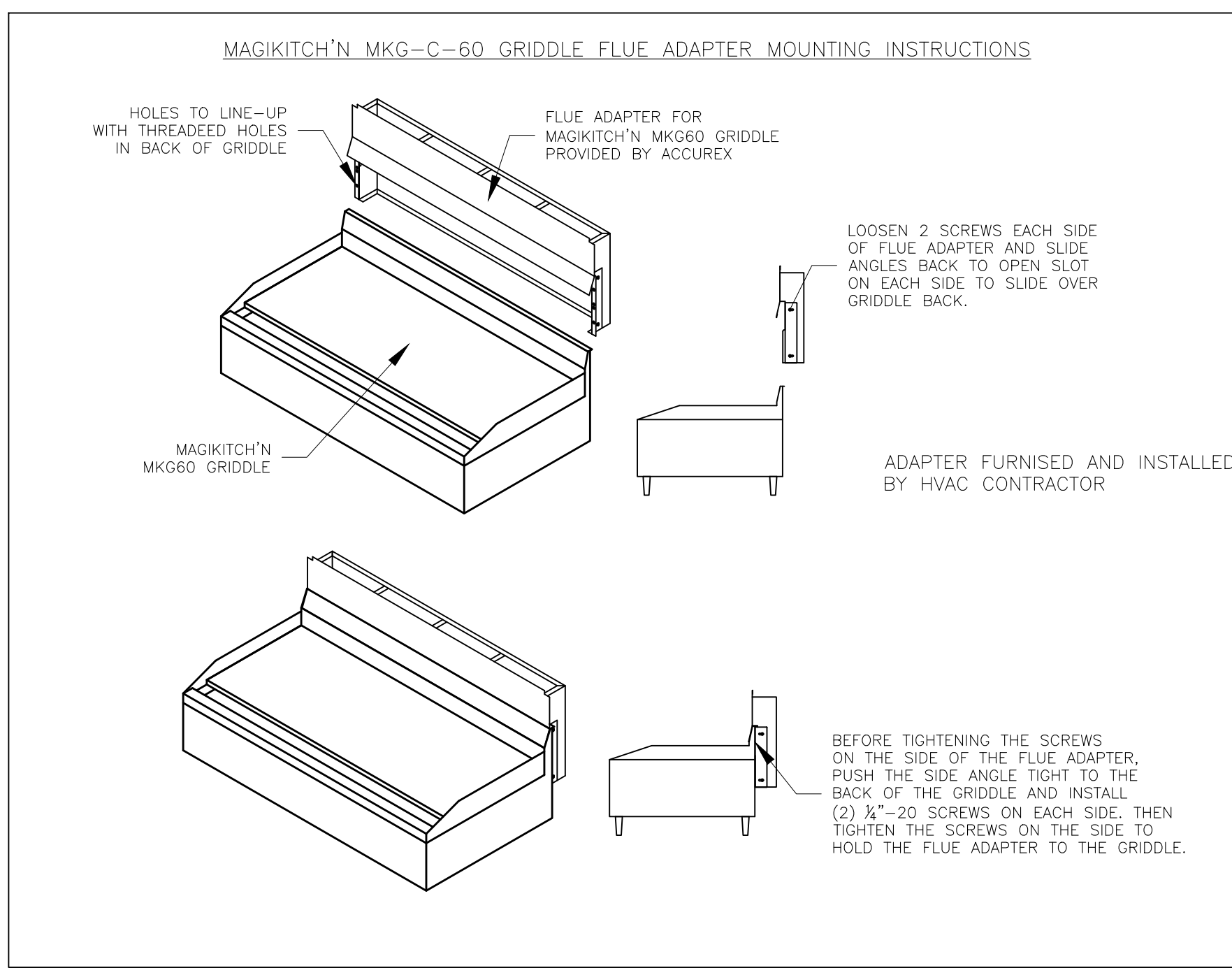
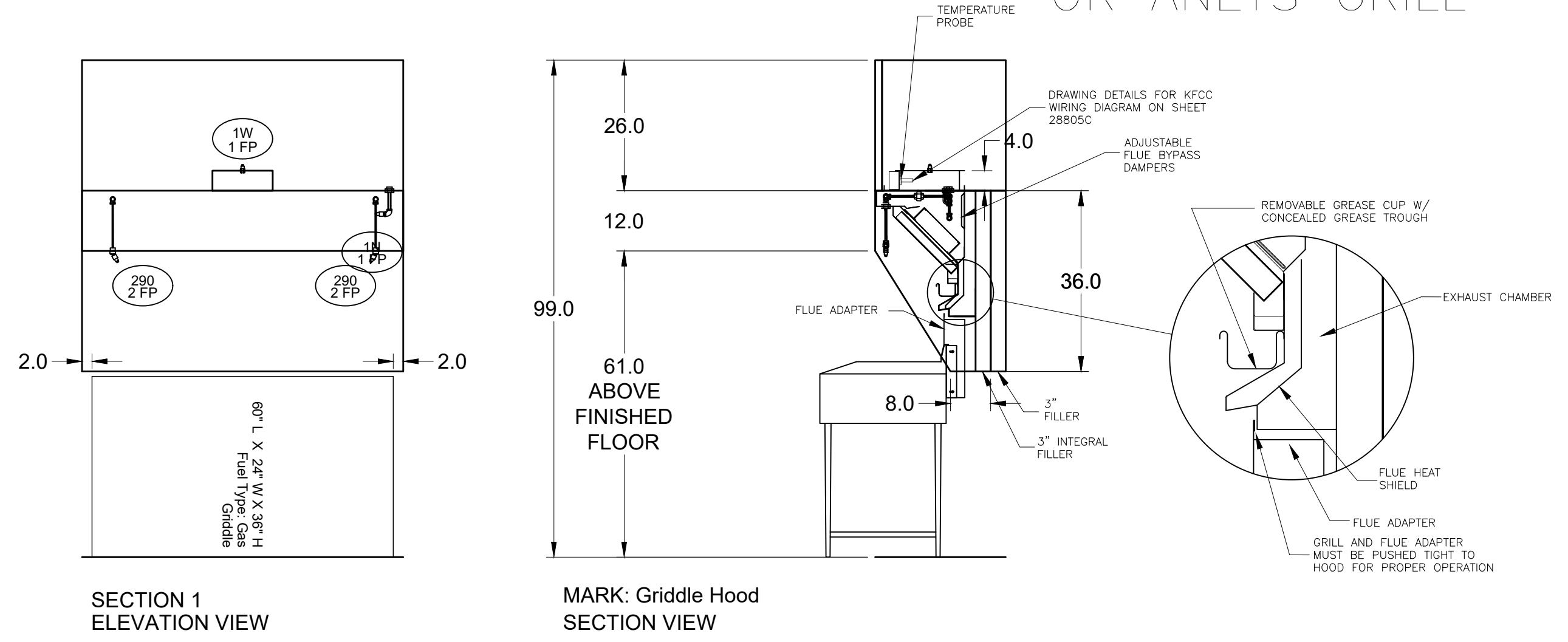
NEC FLA - Based on table 430.250 or 430.248 of National Electrical Code 2020. Actual motor FLA may vary for sizing thermal overload, consult factory

PRV-2 Griddle Fan - SELECTED OPTIONS AND ACCESSORIES

One piece fully welded windband
 Tapered bushing wheel hub
 Breather tube outlet area min. 4.4 sq. in. (sizes 99-480), 2.0 sq. in. (sizes 60-95)
 Min. windband material thickness: 0.051" aluminum (060-240), 0.064" aluminum (240HP, 240XP), 0.080" aluminum (sizes 300-480)
 Larger Curb Cap Size - 26 Square
 UL/cUL 705 Listed - Supplement SC - "Power Ventilators for Restaurant Exh. Appliances" (Formerly UL 762)
 Switch, NEMA-3R, Toggle, Hinge, Factory Installed
 High Temp Curb Seal Rated for Continuous Duty at 1500 F (Factory Attached)
 Grease Trap (PN 475538)
 Clean-out Port - Factory Installed
 Conduit Chase Qty 1



MUST USE WITH MAGIKITCH'N MODEL MKG-C-60
 60" MAGIKITCH'N GRIDDLE FLUE ADAPTER
 VERIFY MAGIKITCHEN OR ANETS GRILL



HOOD NO.	MARK	MODEL	HOOD DIMENSIONS (IN.)			HOOD CONSTR.	COOKING LOAD / DUTY RATING	EXHAUST					SUPPLY		TOTAL WEIGHT LBS.	SECTION LOCATION
			LENGTH	WIDTH	HEIGHT			COLLAR(S)					MUA CFM	AC CFM		
								WIDTH	LENGTH	DIA.	CFM	S.P.				
1	CONDENSATE HOOD	XD3-42-S	42.00	42	24	300 SS 100%		350.0	7	7		350	0.127		110	SINGLE

CONTROL INFORMATION											
MARK		ELECTRICAL CONTROL PACKAGE			USER INTERFACE						
CONTROLS		MODEL	LOCATION		TYPE		LOCATION				
		XKC-CV-S-22-2-1-0	SHIP LOOSE ENCLOSURE		FULL COLOR TOUCHSCREEN		SHIP LOOSE				
FANS CONTROLLED											
FAN #	TYPE	FAN	FAN MARK	ZONE	CFM	MOTOR HP	MOTOR VOLT	CYCLE	MOTOR PHASE	MOTOR STARTER IN PANEL	VFD IN PANEL
1	SUPPLY	S1	RTU-1	1	1500	1	208	60	3	NO	NO
2	SUPPLY	S2	RTU-2	2	1500	1	208	60	3	NO	NO
3	EXHAUST	E1	PRV-2 GRIDDLE FAN	2	1500	1	115	60	1	NO	NO
4	EXHAUST	E2	PRV-3 FRYER FAN	1	1500	1	115	60	1	NO	NO

HOOD NO.	MARK	LIGHTING DETAILS			BAFFLE FILTRATION DETAILS			UTILITY CABINET(S)					
		FIXTURE TYPE BULB / LAMP INFO		QTY	FOOT CANDLES	TYPE / MODEL MATERIAL	QTY	SIZE (IN.)	LOCATION		FIRE SYSTEM	CONTROLS	
								L	H		TYPE	SIZE	MODEL
1	CONDENSATE HOOD					TWO SIDES							

CONTROL FEATURES		SPECIAL DESIGN REQUESTS	
TEMP SENSORS (FACTORY INSTALLED) - QTY. 2		SDR #K2000462 - CULVERS CONTROL PANEL - EXTRA SET OF FIRE CONTACTS - REVISE WIRING DIAGRAMS	
DRY FIRE CONTACTS - QTY. 2			
EXHAUST MAX DURING FIRE			
SUPPLY OFF DURING FIRE			

HOOD OPTIONS
FACTORY MOUNTED EXHAUST COLLAR(S)

MARK INFORMATION			FAN INFORMATION					MOTOR INFORMATION					
QTY	MARK	MODEL	VOLUME (CFM)	TOTAL EXTERNAL SP (IN WG)	FAN RPM	OPERATING POWER (HP)	WEIGHT (LB.)	SIZE (HP)	V/C/P	ENCLOSURE	MOTOR RPM	WINDINGS	NEC FLA*
1	PRV-1 Restroom	XRED-090-VG	375	0.5	1,466	0.06	31	0.1	115/60/1	TN	1725	1	NA
1	PRV-4 Condensate Fan	XRED-095-VG	350	0.6	1,487	0.09	34	0.167	115/60/1	TN	1725	1	4.4

*NEC FLA - Based on table 430.250 or 430.248 of National Electrical Code 2020. Actual motor FLA may vary for sizing thermal overload, consult factory"

PRV-1 Restroom : SELECTED OPTIONS AND ACCESSORIES		PRV-4 Condensate Fan : SELECTED OPTIONS AND ACCESSORIES	
Standard Curb Cap Size - 17 Square	UL/cUL 705 Listed - "Power Ventilators"	Standard Curb Cap Size - 17 Square	UL/cUL 705 Listed - "Power Ventilators"
Switch, NEMA-1, Toggle,	UL/cUL 705 Listed - "Power Ventilators"	Switch, NEMA-1, Toggle,	UL/cUL 705 Listed - "Power Ventilators"
Damper Shipped Loose, BD-100-PB-10X10, Gravity Operated, Not Coated, Nominal Size	Birdscreen: Galvanized, nom. 84% Free Area	Damper Shipped Loose, BD-100-PB-10X10, Gravity Operated, Not Coated, Nominal Size	Birdscreen: Galvanized, nom. 84% Free Area
Birdscreen: Galvanized, nom. 84% Free Area	Composite Wheel Material	Birdscreen: Galvanized, nom. 84% Free Area	Composite Wheel Material
Composite Wheel Material	Conduit Chase Qty 1	Composite Wheel Material	Conduit Chase Qty 1
Conduit Chase Qty 1		Conduit Chase Qty 1	

MARK INFORMATION			FAN INFORMATION					MOTOR INFORMATION				
QTY	MARK	MODEL	VOLUME (CFM)	TOTAL EXTERNAL SP (IN WG)	FAN RPM	OPERATING POWER (HP)	WEIGHT (LB.)	SIZE (HP)	V/C/P	ENCLOSURE	MOTOR RPM	WINDINGS
1	EF-1A	XCR-B80	75	0.125	881	0.01	10	0	115/60/1	OP	900	1

EF-1A : SELECTED OPTIONS AND ACCESSORIES

UL/cUL 507 Listed - Electric Fan

Solid State Speed Control, 6 Amp, Mounted and Wired Internally

Round Hooded Wall Cap, (PN: WC-6) Shipped Loose

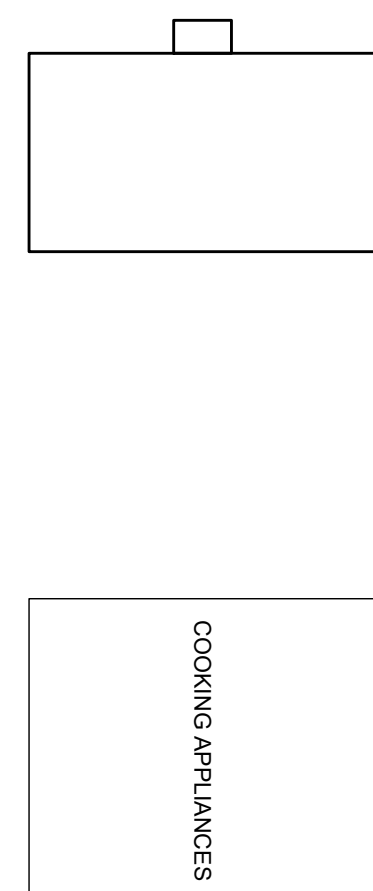
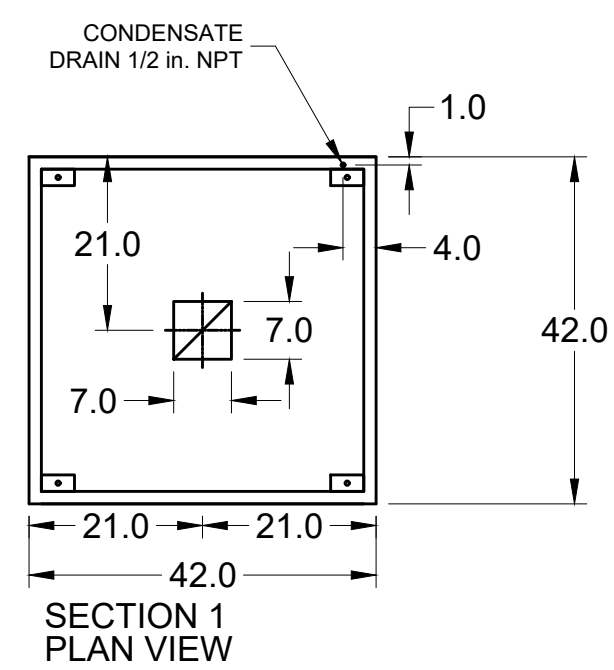
Round Duct Connection

Adjustable easy installation mounting bracket

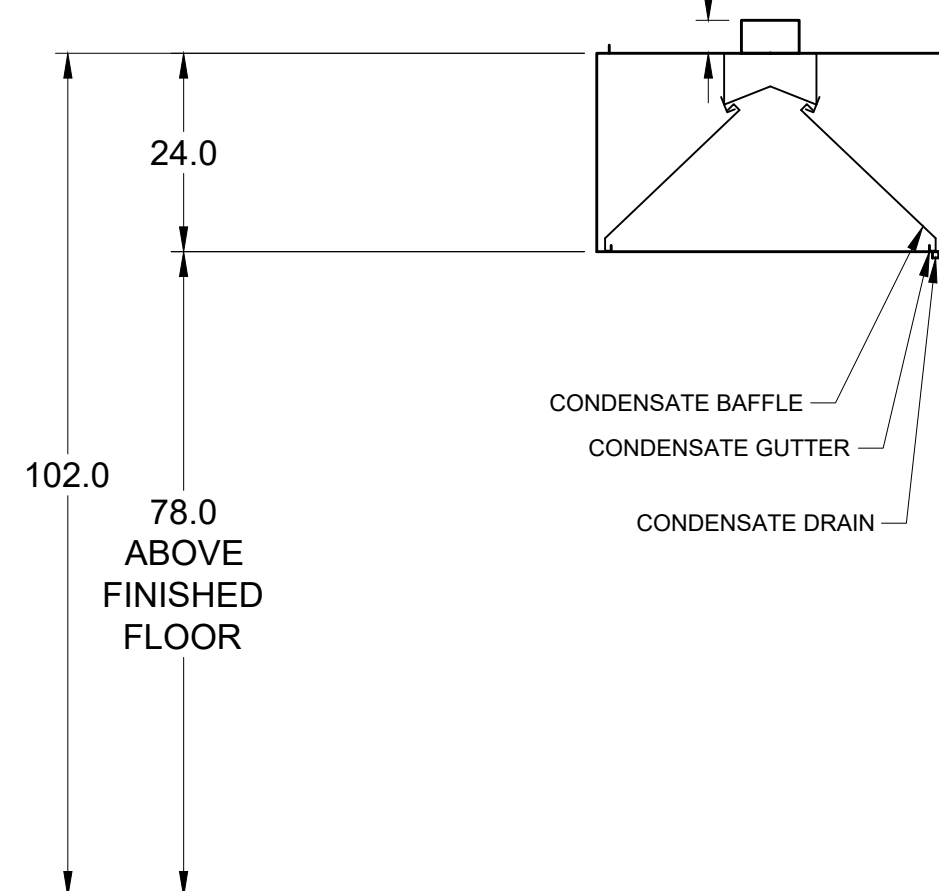
Standard Grille

Polypropylene Wheel Material

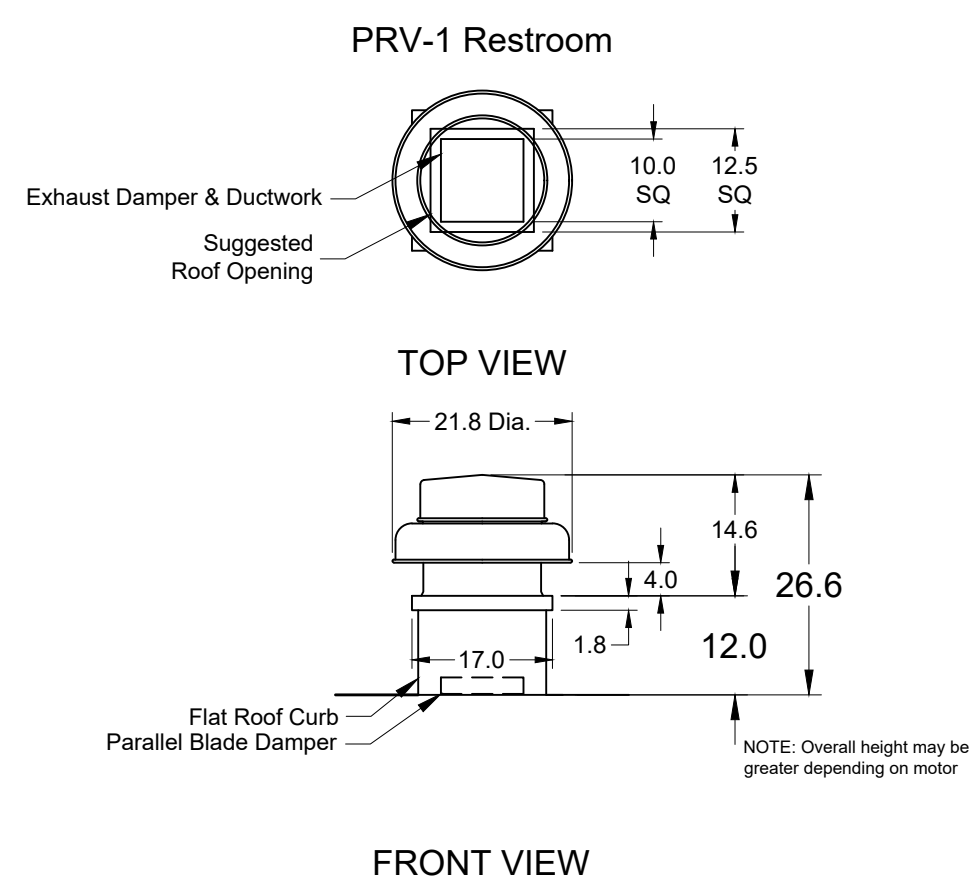
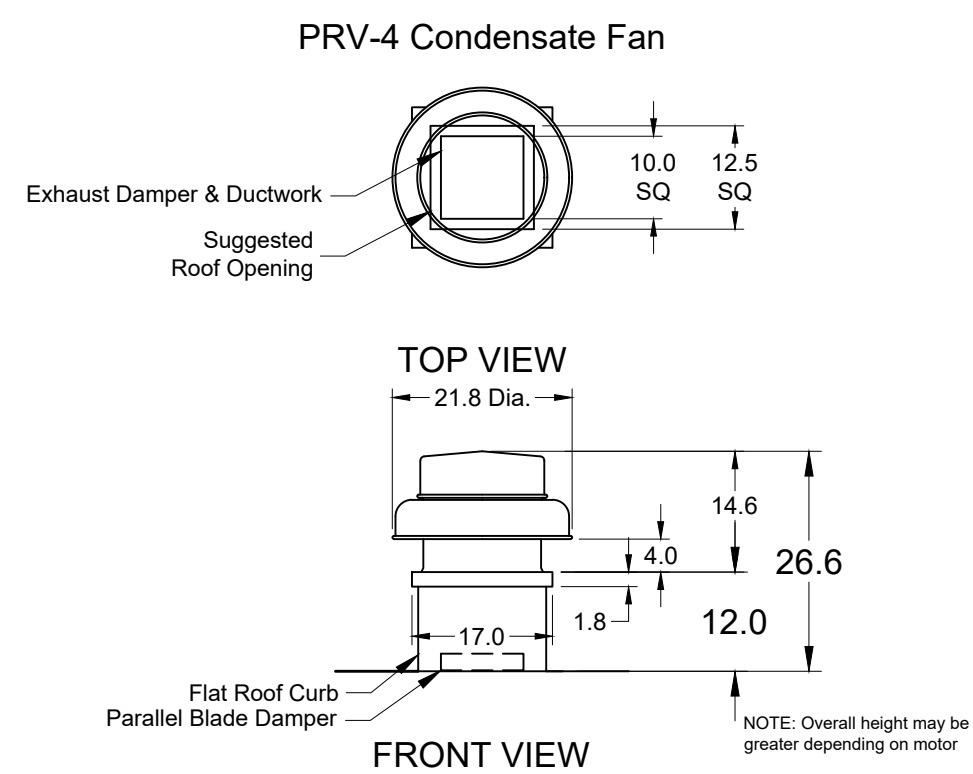
Can Be Used to Comply with: ASHRAE 62.2 and Washington State Energy Code



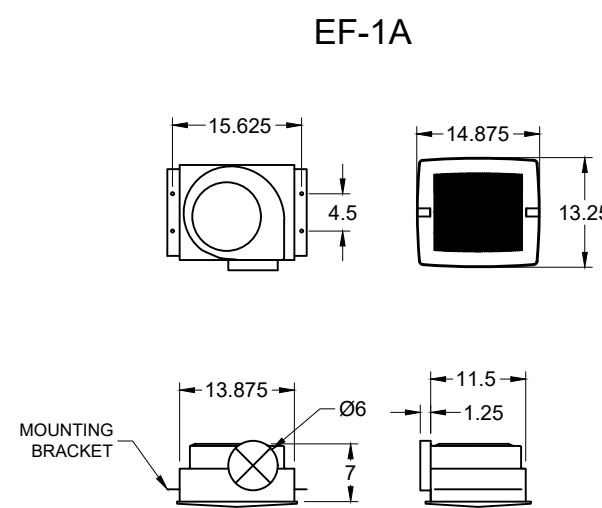
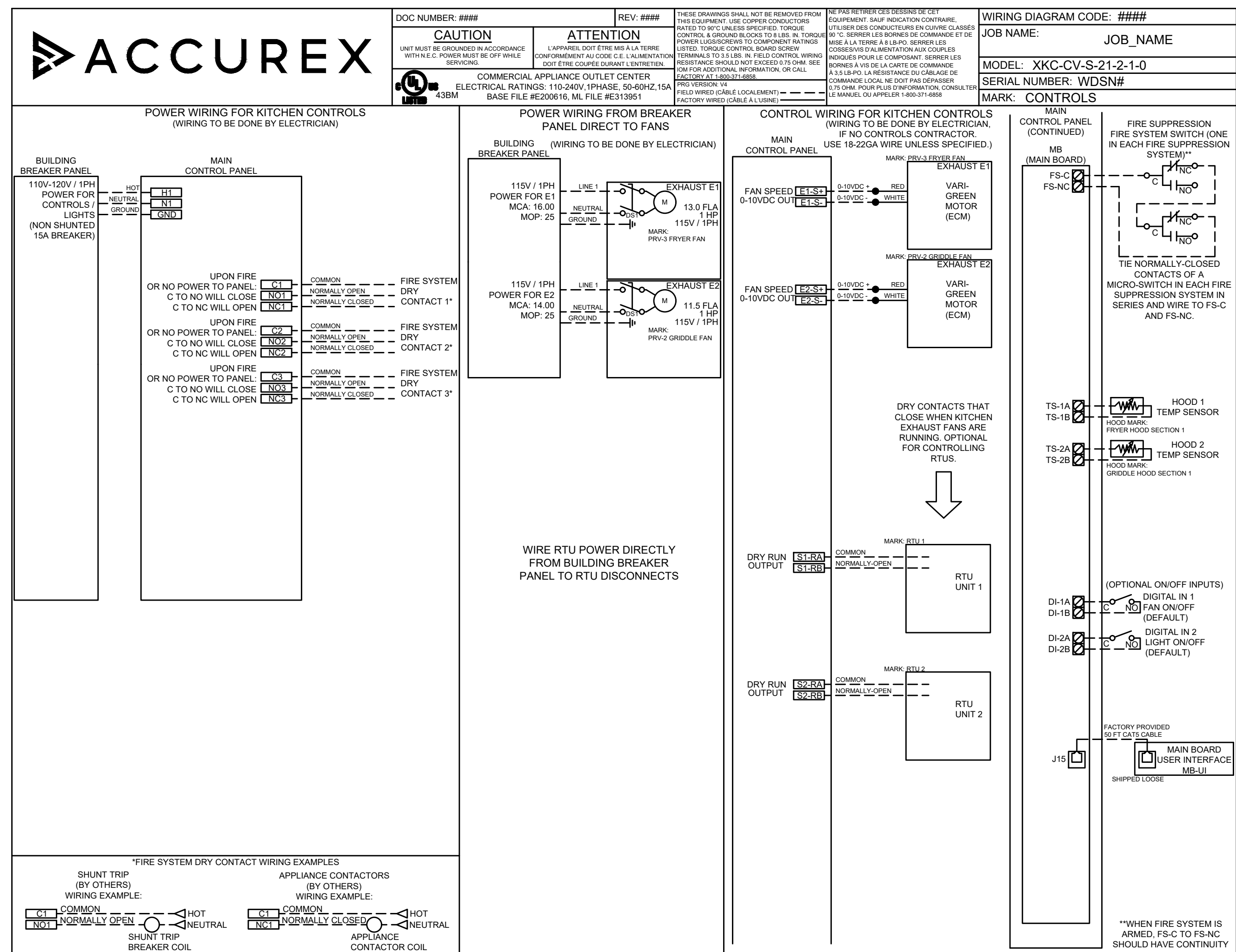
SECTION 1 ELEVATION VIEW



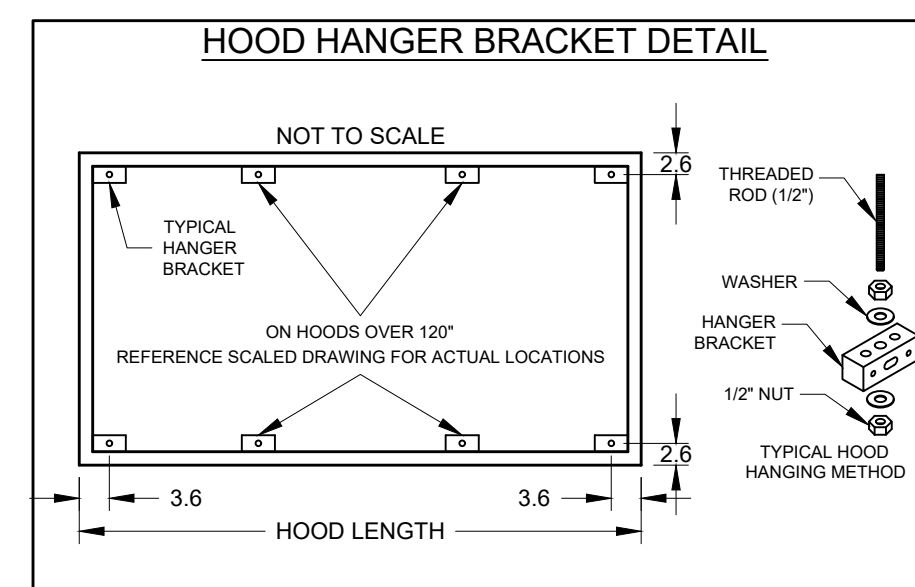
MARK: Item 25 Condensate Hood SECTION VIEW



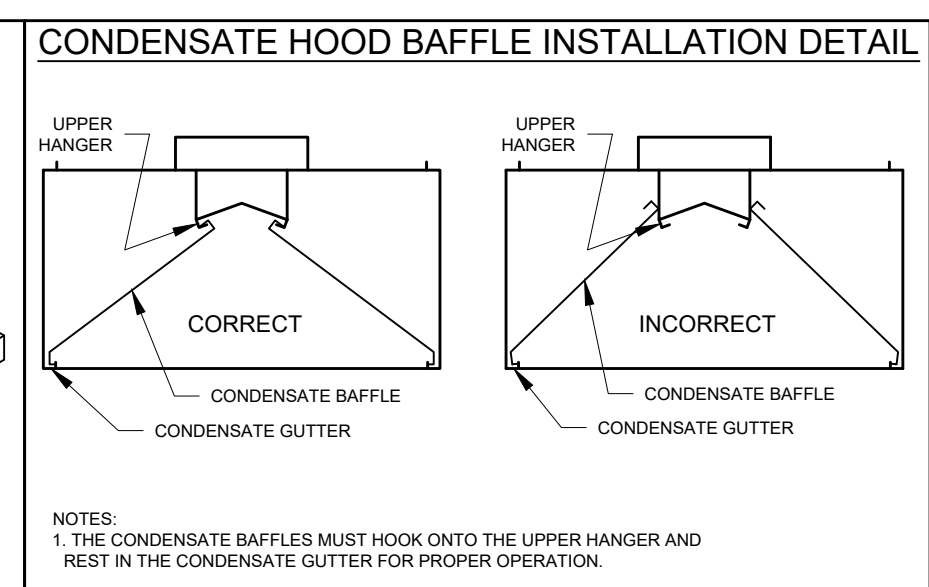
FRONT VIEW



MOUNTING BRACKET



HOOD HANGER BRACKET DETAIL



CONDENSATE HOOD BAFFLE INSTALLATION DETAIL