

HOOD INFORMATION

HOOD NO.	ITEM #	LEGEND BLOCK	CAS MOD.	LENGTH	EXHAUST PLENUM					SUPPLY PLENUM					HOOD CONSTRUCTION	HOOD CONFIG.		
					TOTAL EXH. CFM	WIDTH	LENG.	DIA.	CFM	S.P.	TOTAL SUP. CFM	WIDTH	LENG.	DIA.		CFM	S.P.	END TO END
H-1	42524	GE54-18EM	6030.ND	18'-0"	3150	10"	15"	1575	-0.350	1575	-0.350	N/A					304.SS WHERE EXPOSED	LEFT

HOOD INFORMATION

HOOD NO.	FILTER(S)				LIGHT(S)			UTILITY CABINET(S)					FIRE SYSTEM PIPING	HOOD WEIGHT	
	TYPE	QTY.	HEIGHT	LENGTH	QTY.	TYPE	WIRE GUARD	LOCATION	FIRE SYSTEM TYPE	SIZE	ELECTRICAL MODEL #	SWITCHES QUANTITY			SWITCHES LOCATION
1	SS Baffle with Handles	1	16"	16"	3	Incandescent Light	NO	Left	Ansul R-102	3.0/3.0	31111002	1 Light 1 Fan	Outside	YES	800 LBS.

NOTE: THE SIDESPLASH PANELS ARE TO BE CUT IN THE FIELD TO FIT THE PASS THROUGH WINDOW. BACKSPLASH AND SIDESPLASH PANELS ARE SIZED TO CONFORM TO THE INTERNATIONAL MECHANICAL CODE CLEARANCE TO COMBUSTIBLE REQUIREMENTS, IF REQUIRED. INSTALL ALL CAPTIVE-AIRE EQUIPMENT ACCORDING TO LOCAL CODES.

HOOD OPTIONS

HOOD NO.	OPTION
1	FIELD WRAPPER 8.50" High Front, Left, BACKSPLASH 120.00" High X 114.00" Long Vertical Panel 304 SS, BACK STANDOFF 3" Wide
2	FIELD WRAPPER 8.50" High Front, BACKSPLASH 120.00" High X 99.00" Long Vertical Panel 304 SS, BACK STANDOFF 3" Wide
	RIGHT END STANDOFF 3" Wide
	RIGHT SIDESPLASH 120.00" High X 72.00" Long Vertical Panel 304 SS

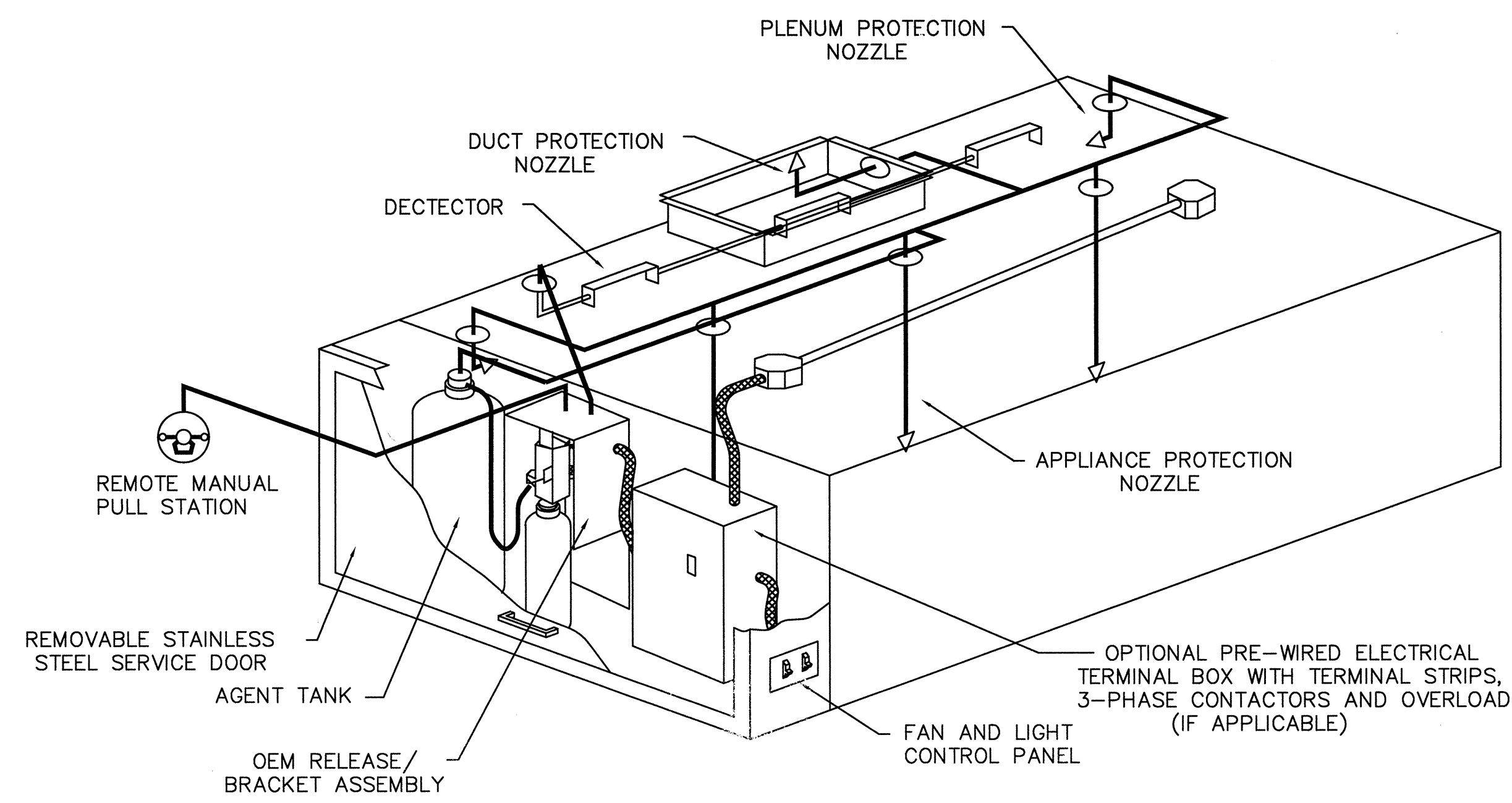
SPECIFICATIONS

THE RESTAURANT FIRE SUPPRESSION SYSTEM SHALL BE THE PRE-ENGINEERED TYPE WITH A FIXED NOZZLE AGENT DISTRIBUTION NETWORK. IT SHALL BE LISTED WITH UNDERWRITERS LABORATORIES, INC. (UL)

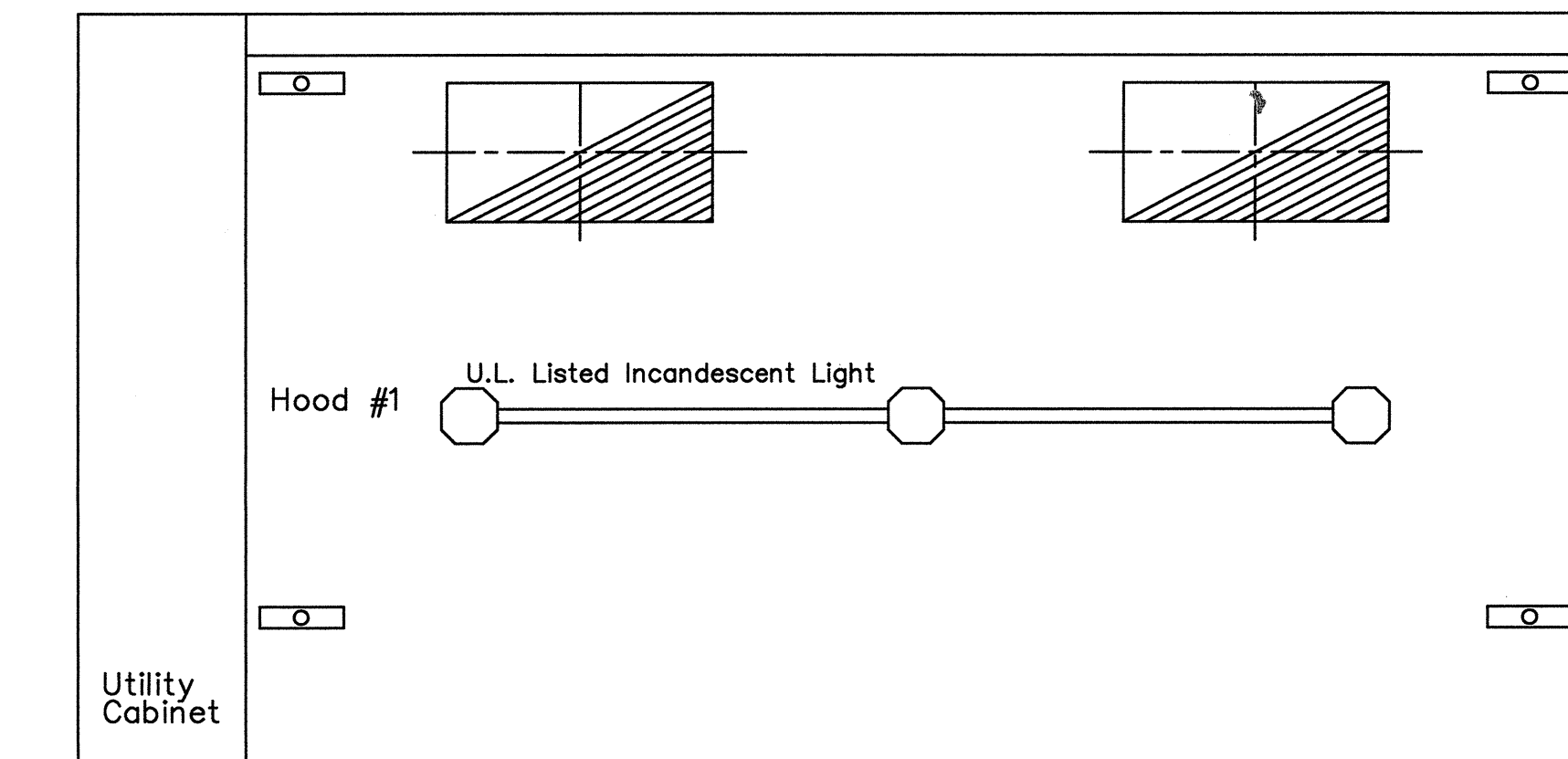
THE SYSTEM SHALL BE CAPABLE OF AUTOMATIC DETECTION AND ACTUATION WITH LOCAL OR REMOTE MANUAL ACTUATION. ACCESSORIES SHALL BE AVAILABLE FOR MECHANICAL OR ELECTRICAL GAS LINE SHUT-OFF APPLICATIONS.

THE EXTINGUISHING AGENT SHALL BE A POTASSIUM CARBONATE, POTASSIUM ACETATE-BASED FORMULATION DESIGNED FOR FLAME KNOCKDOWN AND SECUREMENT OF GREASE RELATED FIRES. IT SHALL BE AVAILABLE IN PLASTIC CONTAINERS WITH INSTRUCTIONS FOR LIQUID AGENT HANDLING AND USAGE.

THE REGULATED RELEASE MECHANISM SHALL BE COMPATIBLE WITH A FUSIBLE LINK DETECTION SYSTEM. THE FUSIBLE LINK SHALL BE SELECTED AND INSTALLED ACCORDING TO THE OPERATING TEMPERATURE IN THE VENTILATING SYSTEM. THE FUSIBLE LINK SHALL BE SUPPORTED BY A DETECTOR BRACKET/LINKAGE ASSEMBLY.



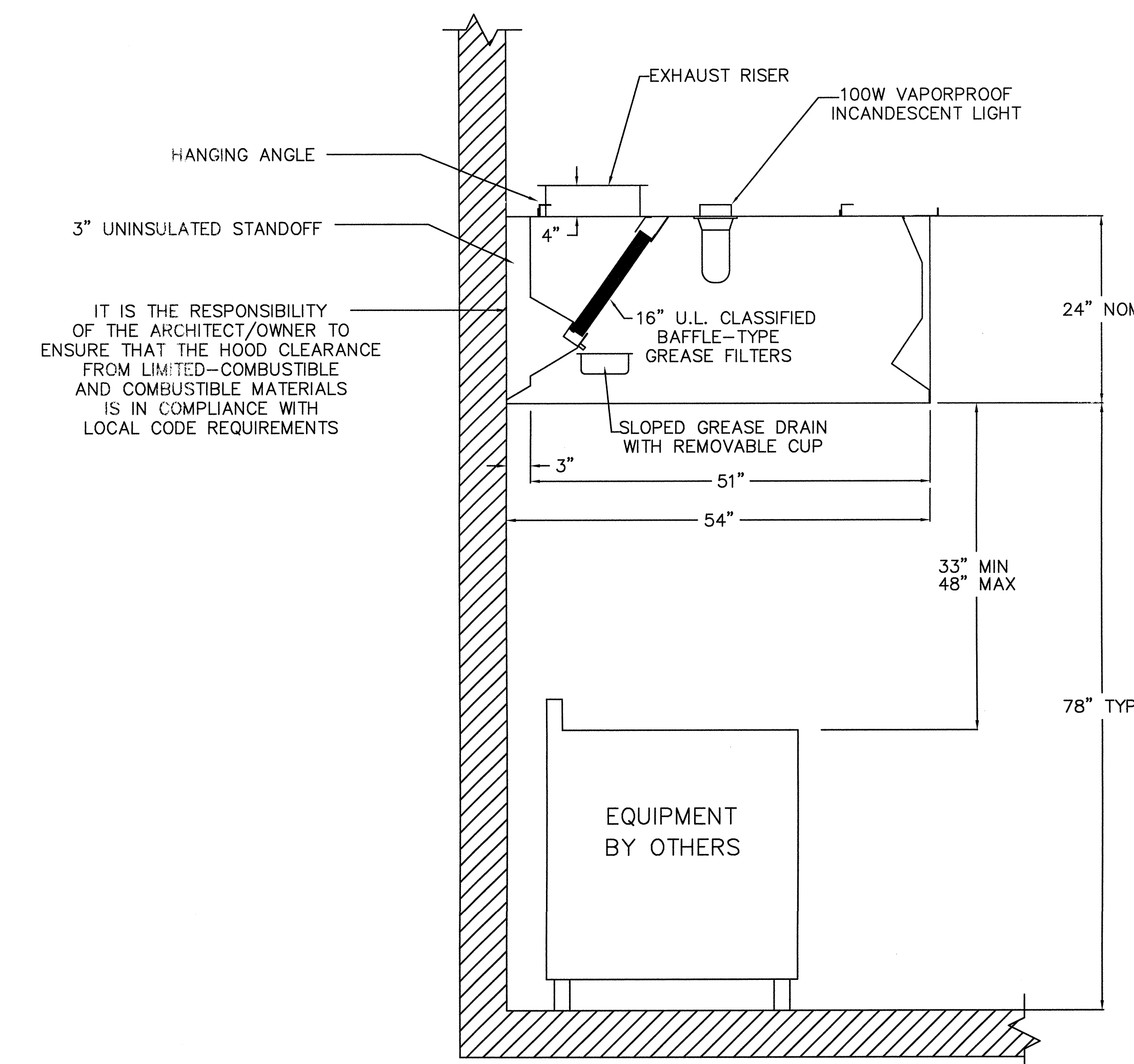
TYPICAL ANSUL R-102 SYSTEM LAYOUT



PLAN VIEW - 14' 0.00" LONG 5' DEEP 6030ND-PSP-F

PLAN VIEW - 20' 0.00" LONG 5' DEEP 6030ND-PSP-F

1 TYPICAL HOOD DETAILS
H2.3 NTS



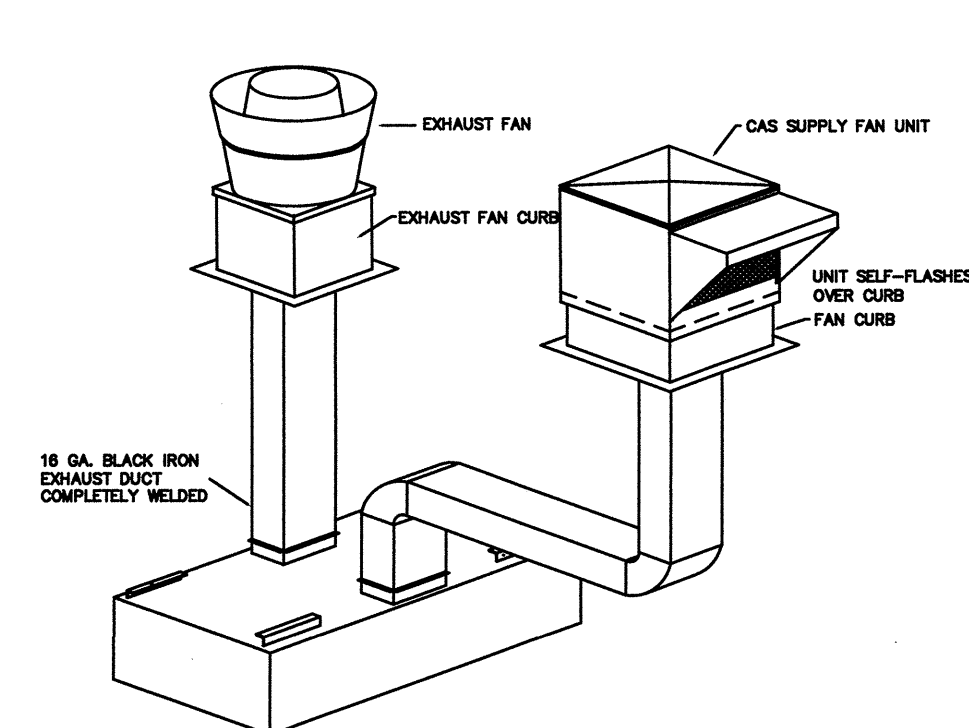
SECTION VIEW - MODEL 5124-ND with PSP Accessory

CAPTIVE-AIRE HOODS ARE BUILT IN COMPLIANCE WITH
 
 NFPA #96
 NSF
 UL 710 & ULC710 STANDARDS
 E.T.L. LISTED 3054804-001

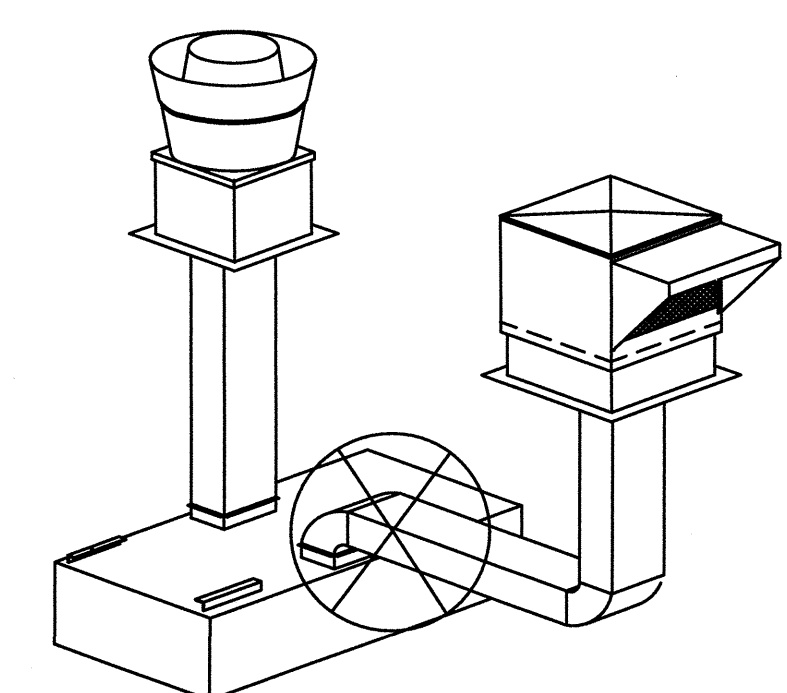
FOR QUESTIONS, CALL
 CAPTIVE-AIRE SYSTEMS, INC.
 BRIAN SEIDENSTRICKER
 PHONE: 724-776-7520 OR 1-800-266-1116
 FAX: 724-776-7522



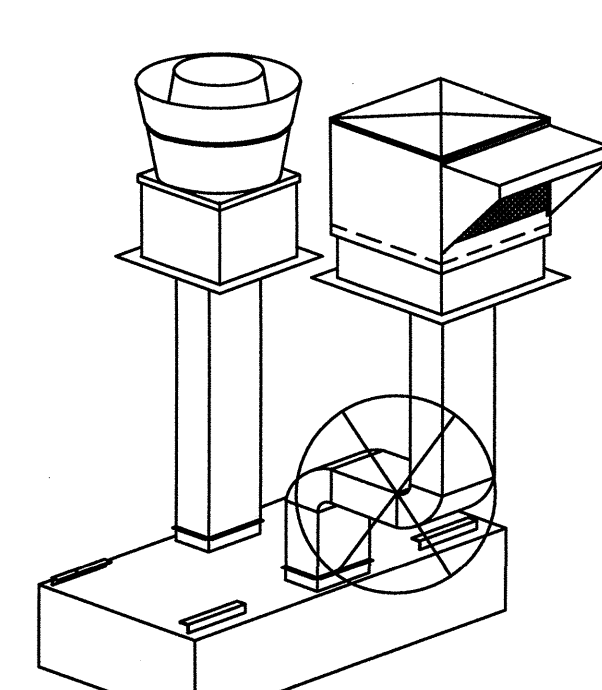
2 HOOD MOUNTING DETAILS
H2.3 NTS



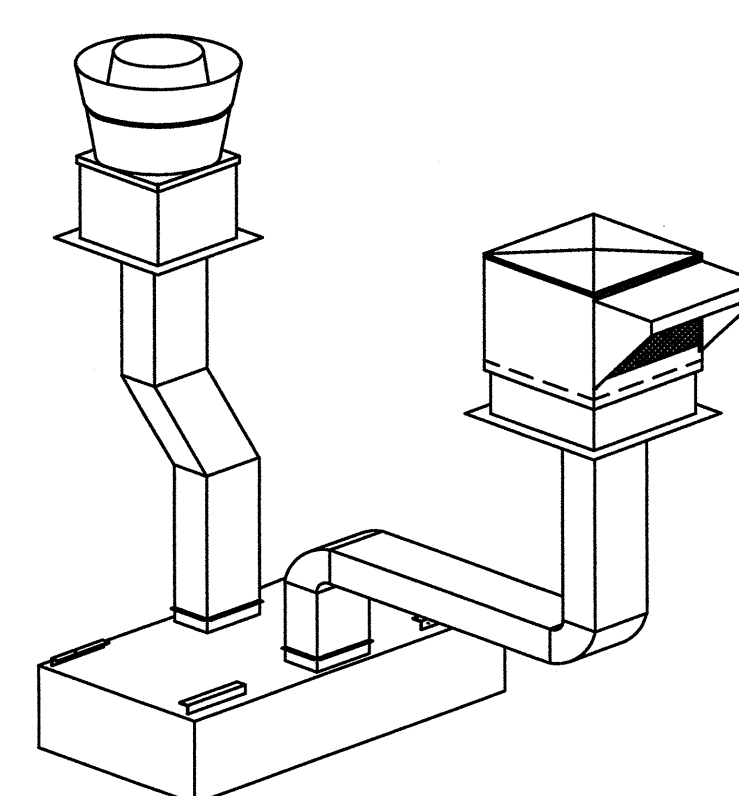
- Correct Installation
1. Exhaust Duct straight up
 2. First elbow at least 18" above hood
 3. At least 4 feet between elbows
 4. Use Radius Back Elbows Only
 5. DO NOT use Flexible Supply Ductwork.



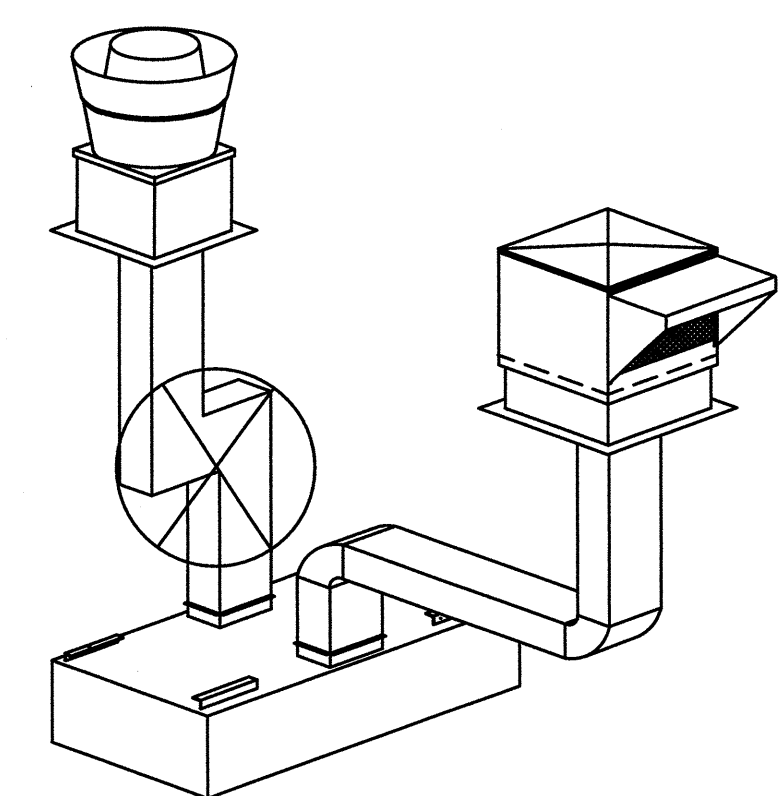
DO NOT Connect elbow directly to Hood Collar or Fan Discharge.



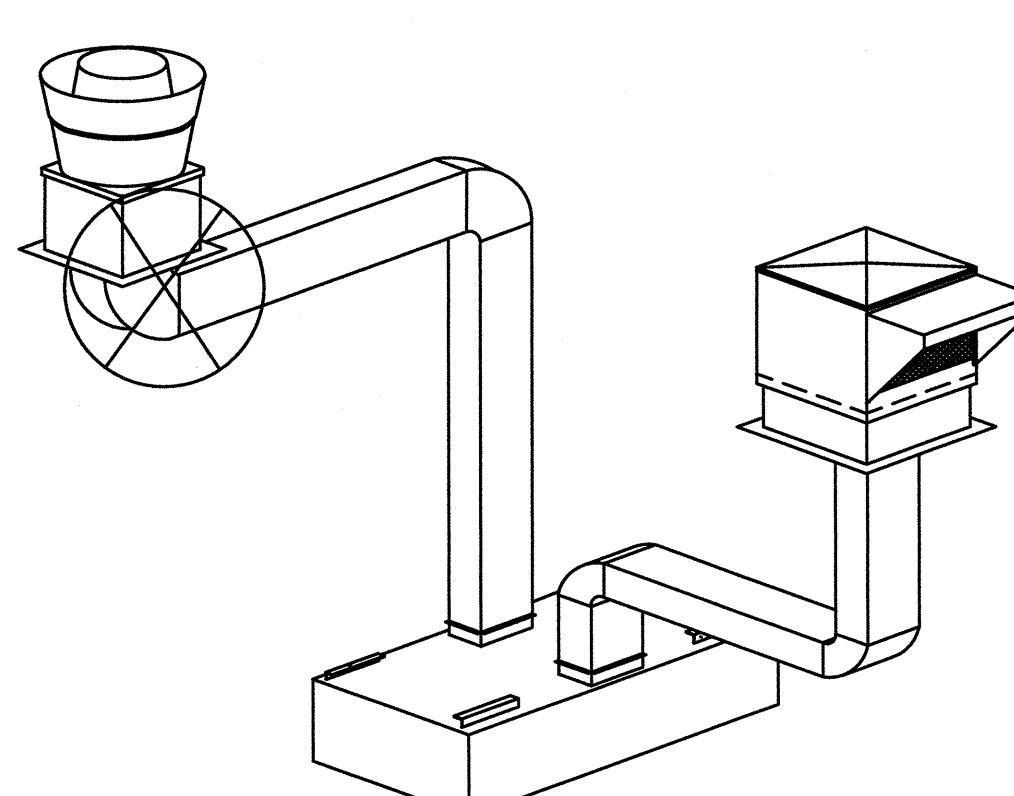
DO NOT install elbows close together



If duct cannot go straight up use offsets




DO NOT use square elbows



DO NOT connect Elbow Directly to Fan Inlet.

3 DUCT LAYOUT
H2.3 NTS

THESE ARE TYPICAL DETAILS. OWNER WILL FURNISH A PACKAGE SYSTEM. CONTRACTOR TO COORDINATE WITH VENDOR FOR ALL REQUIREMENTS

Sheet: KITCHEN HOOD DETAILS

 Allen Engineering Services, PLLC
 Arkansas Engineer's Reg. No. 7022
 220 Gibson Ave., West Memphis, Ar. 72301
 phone 870-735-7500 • fax 870-735-0707
 Date: August 05, 2008
 Commission: 810-1630-WW
 Sheet: H2.3