

03/14/2023
ISSUE FOR PERMIT

**UCHIKO LEGACY WEST
PLANO, TX**
7801 WINDROSE AVE, SUITE H150
PLANO, TEXAS 75254
CLIENT: HAI HOSPITALITY
1306 W. OLTORF STREET, SUITE C
AUSTIN, TEXAS 78704

CORPORATE:
HAI HOSPITALITY
1306 W. OLTORF STREET, SUITE C
AUSTIN, TEXAS 78704
www.haihospitality.com



DATE	DESCRIPTION
10.11.2022	ISSUE FOR PERMIT
03.14.2023	ISSUE FOR CONSTRUCTION

DATE	DESCRIPTION
11.17.2022	PLAN CHECK
12.06.2022	PLAN CHECK #2
01.30.2023	OPERATIONS
03.03.23	STRUCTURAL
04.17.2023	OWNER COMMENTS

HOOD DRAWINGS

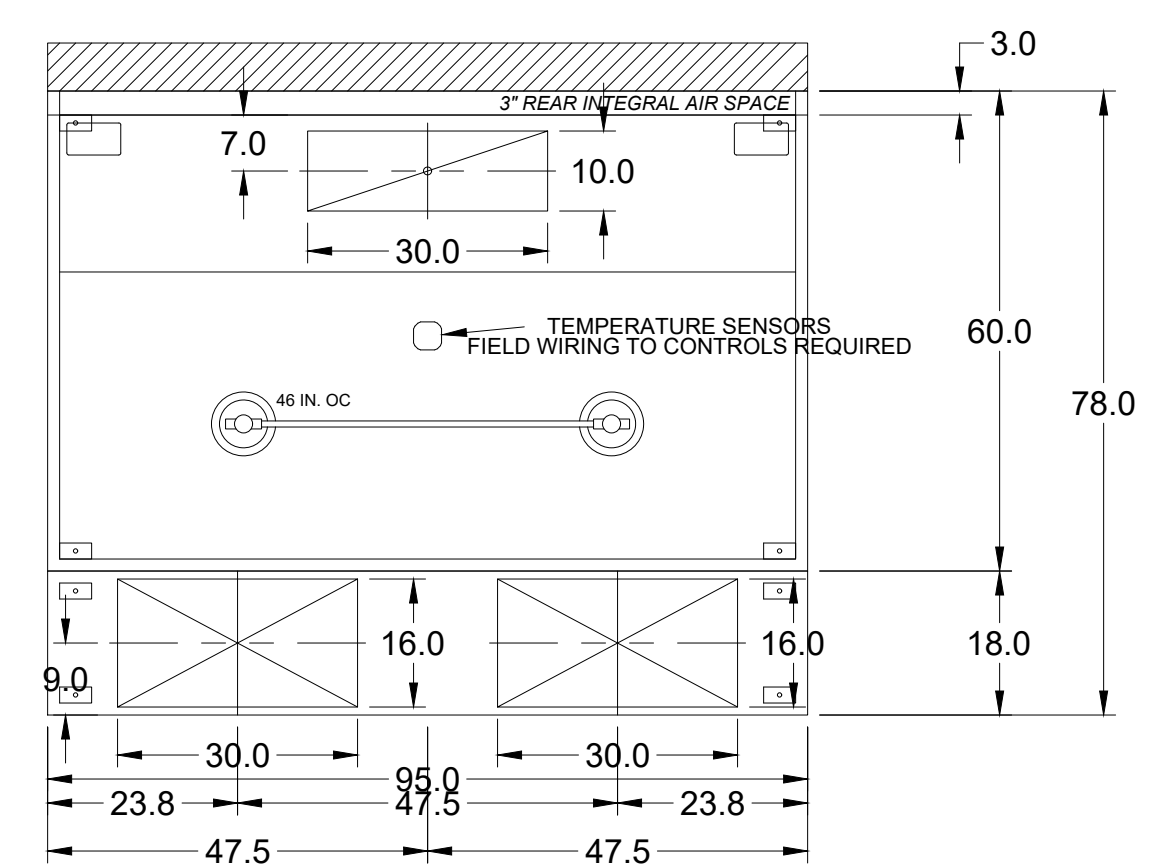
PROJECT NUMBER
UCH22001

HOOD NO.	MARK	MODEL	HOOD DIMENSIONS (IN.)			HOOD CONSTR.	COOKING LOAD / DUTY RATING	TOTAL CFM	EXHAUST COLLAR(S)				SUPPLY		TOTAL WEIGHT LBS.	SECTION LOCATION	
			LENGTH	WIDTH	HEIGHT				WIDTH	LENGTH	DIA.	CFM	S.P.	MUA CFM			AC CFM
1	#144 - EXHAUST HOOD	XXEW-95-S	95	60	30	430 SS WHERE EXPOSED	X-TRACTOR V3400	2720	10	30		3400	1.344	2720		306.664	SINGLE

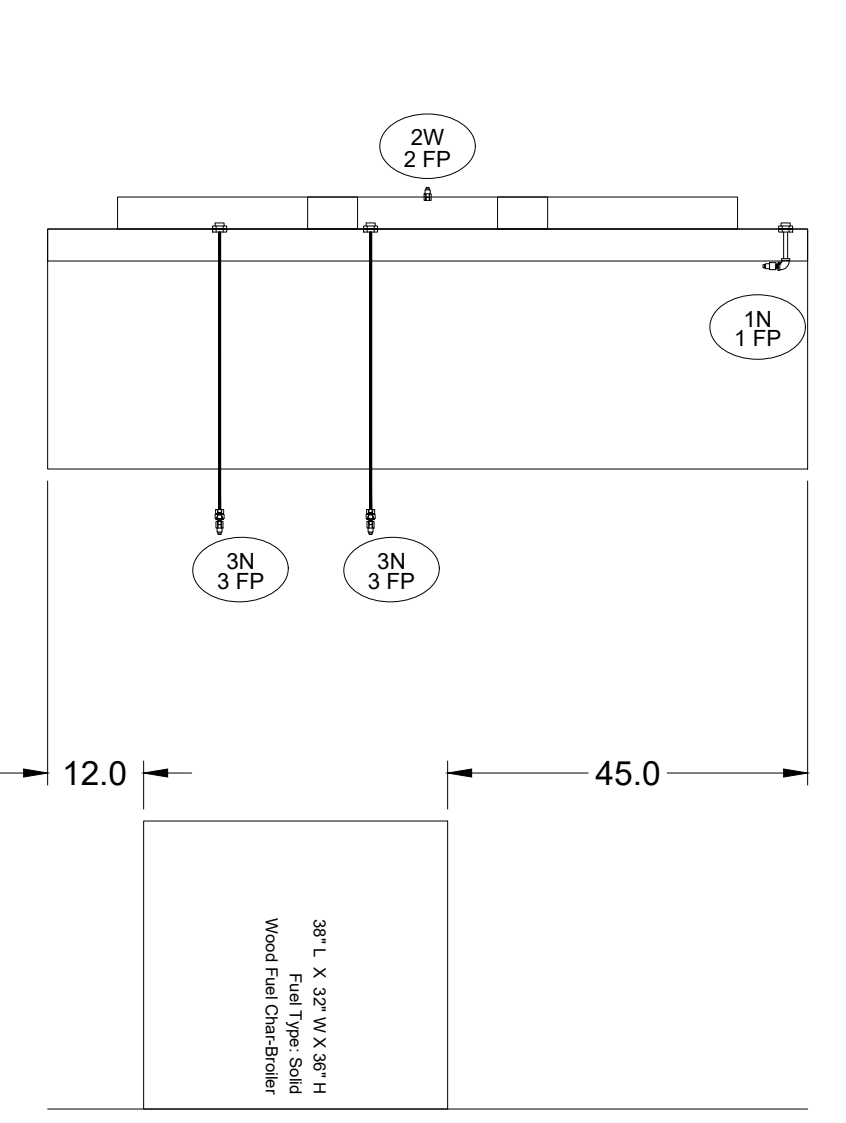
HOOD NO.	MARK	LIGHTING DETAILS			GREASE FILTRATION DETAILS			UTILITY CABINET(S)								
		FIXTURE TYPE	BULB / LAMP INFO	QTY	FOOT CANDLES	TYPE / MODEL	MATERIAL	QTY	SIZE (IN.)	LOCATION	FIRE SYSTEM TYPE	SIZE	MODEL	CONTROLS INTERFACE		
1	#144 - EXHAUST HOOD	ROUND LED		2	61.21	X-TRACTOR	STAINLESS STEEL	2	16	20						

HOOD NO.	MARK	POS.	TYPE	SIZE (IN.)			INSULATED	DAMPER(S)	LED LIGHT(S)		TOTAL CFM	COLLARS							
				L	W	H			SUPPLIED	QTY		TYPE	MOUNTING	QTY	W	L	DIA.	CFM	S.P.
1	#144 - EXHAUST HOOD	FRONT	ASP	95	18	4	NO	YES	NO		2720	MUA	FACTORY	2	16	30	1360	0.56	408

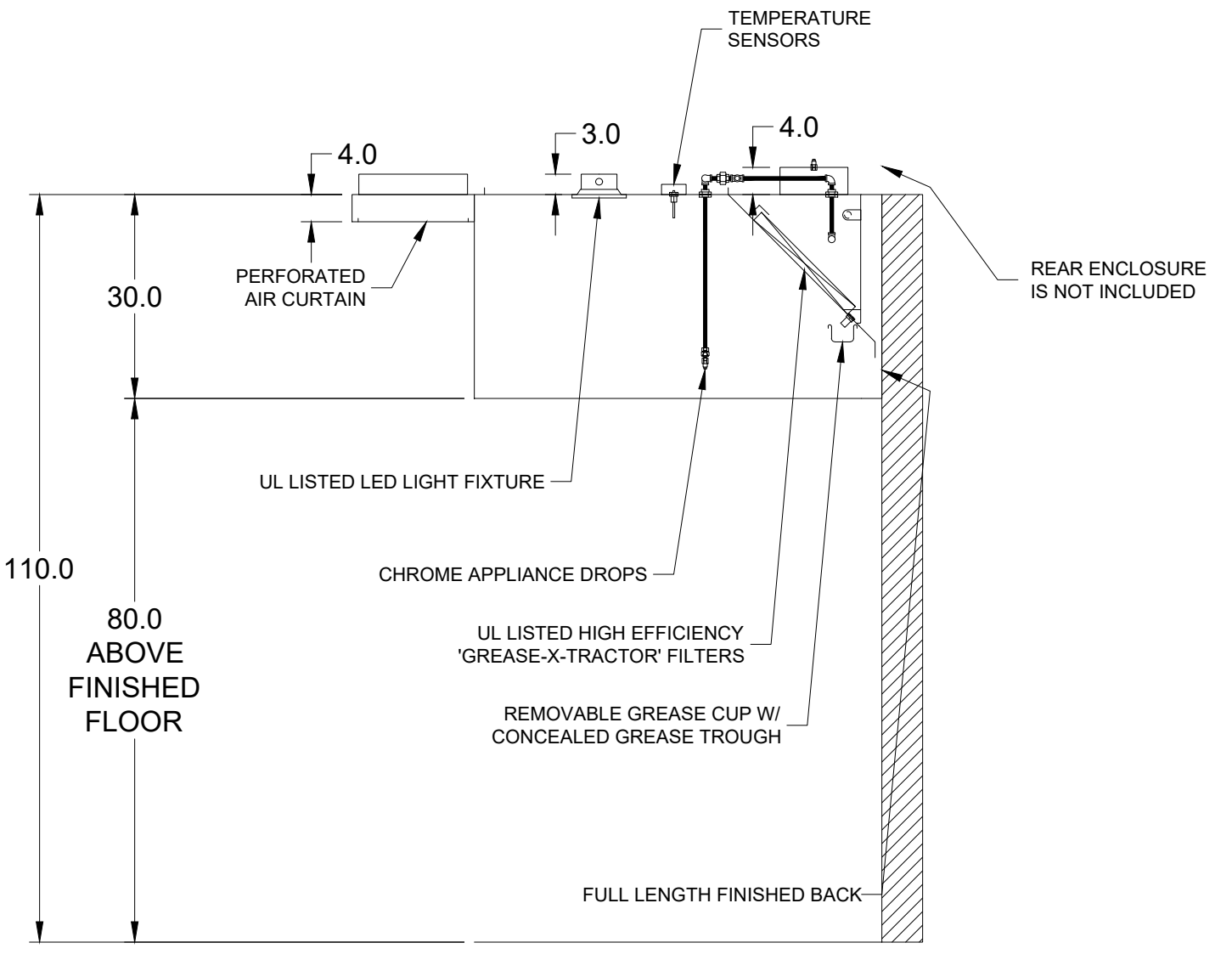
HOOD OPTIONS
UL 710 LISTED W/ OUT EXHAUST FIRE DAMPER - UL #R25625
BACK INTEGRAL AIR SPACE - 3 IN WIDE
FINISHED BACK - FULL LENGTH
FACTORY MOUNTED EXHAUST COLLAR(S)
HOOD CONTAINS SOLID FUEL COOKING APPLIANCES
PERFORMANCE ENHANCING LIP (PEL) TECHNOLOGY
STANDING SEAM CONSTRUCTION FOR SUPERIOR STRENGTH



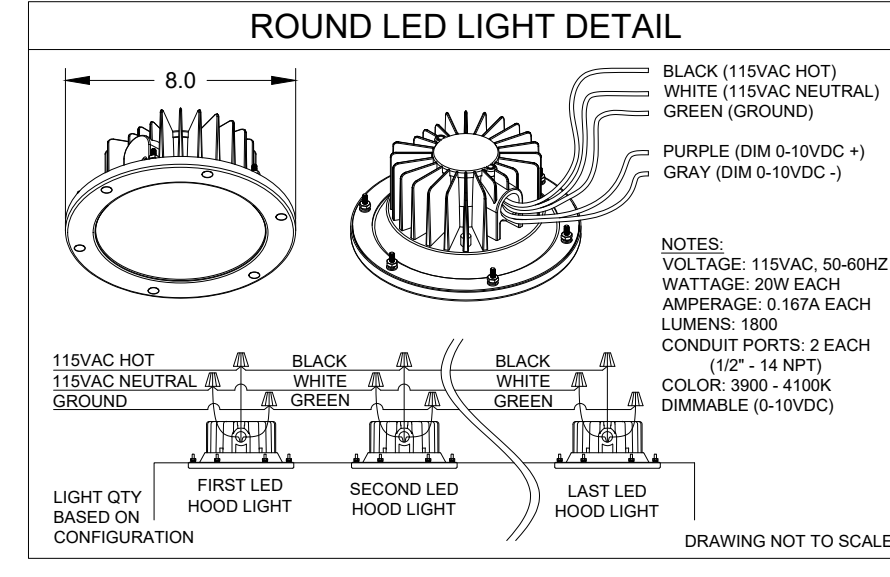
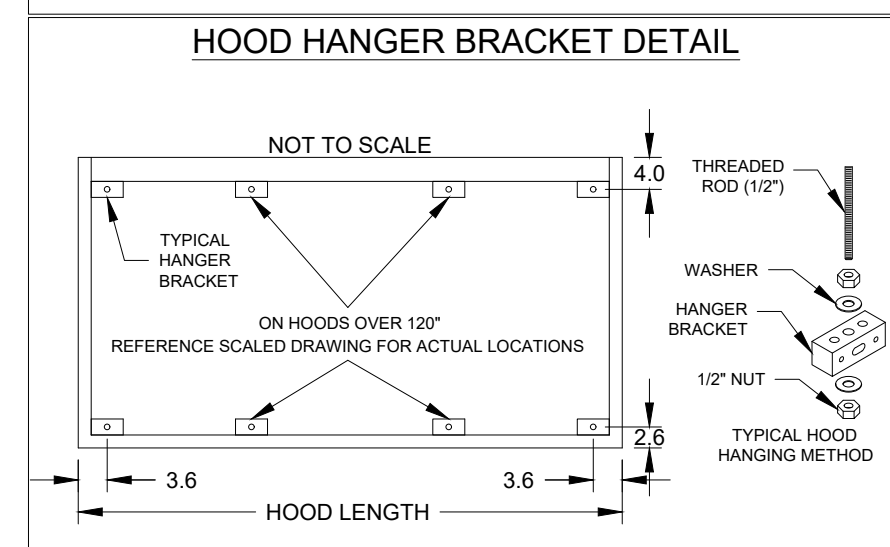
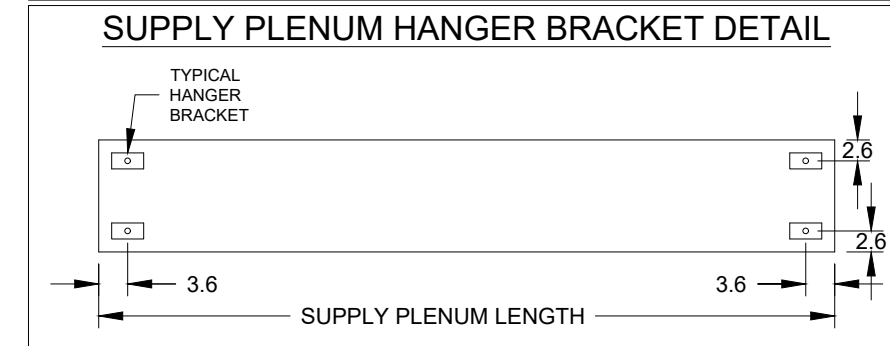
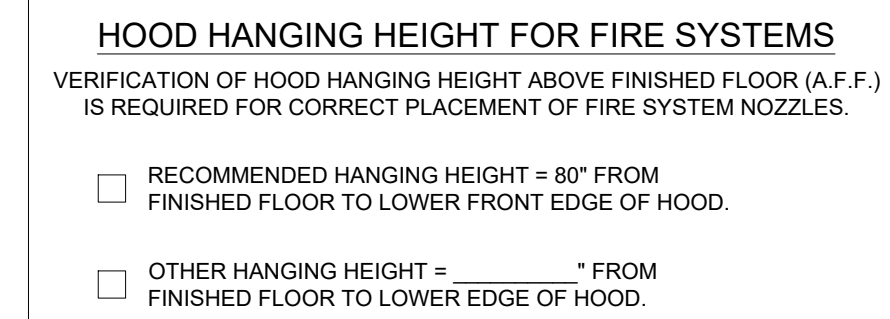
MARK: #144 - EXHAUST HOOD - SECTION 1
PLAN VIEW



MARK: #144 - EXHAUST HOOD - SECTION 1
ELEVATION VIEW

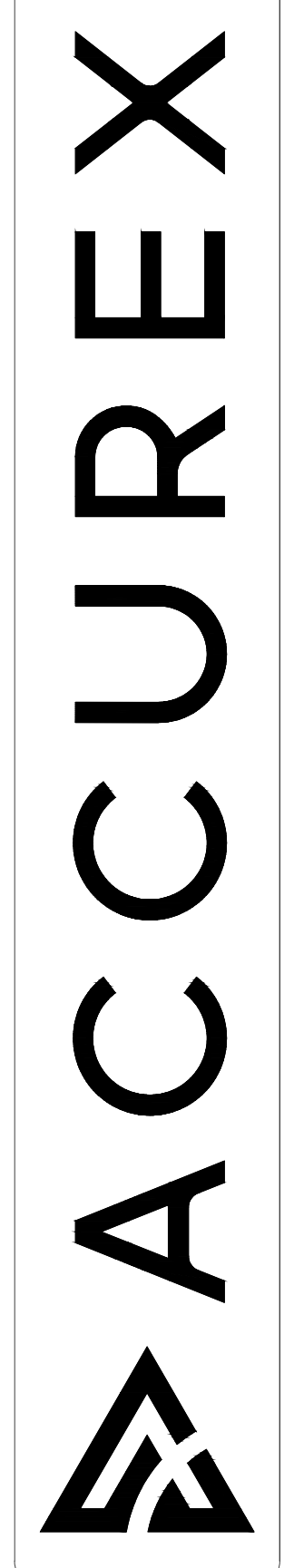


MARK: #144 - EXHAUST HOOD
SECTION VIEW



PROJECT
9/27/2022
UChiko - PLANO TX REV.2
MARK
#144 - EXHAUST HOOD

ACCUREX SOUTHERN CA & HAWAII
AMER TILLMAN
SOCAL@ACCUREX.COM
(509)430-5526



SCALE: 1/2" = 1'-0"

K-9.1

DATE	DESCRIPTION
10/11/2022	ISSUE FOR PERMIT
03/14/2023	ISSUE FOR CONSTRUCTION

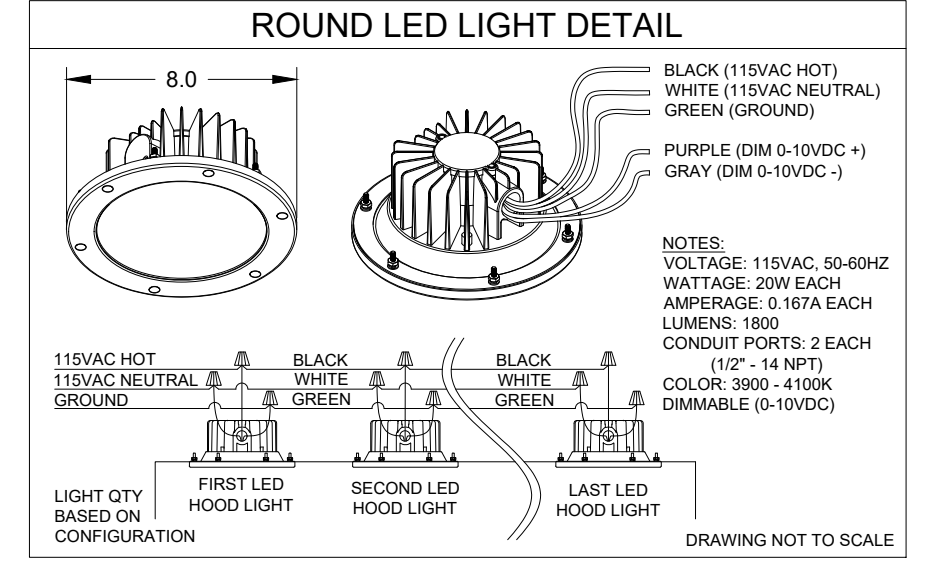
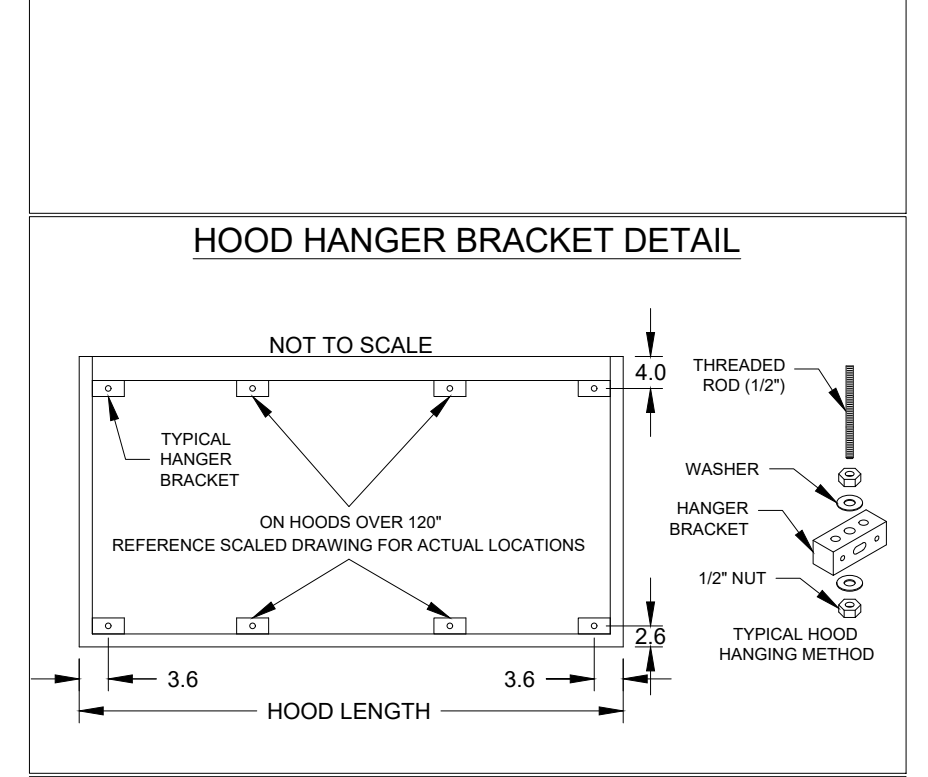
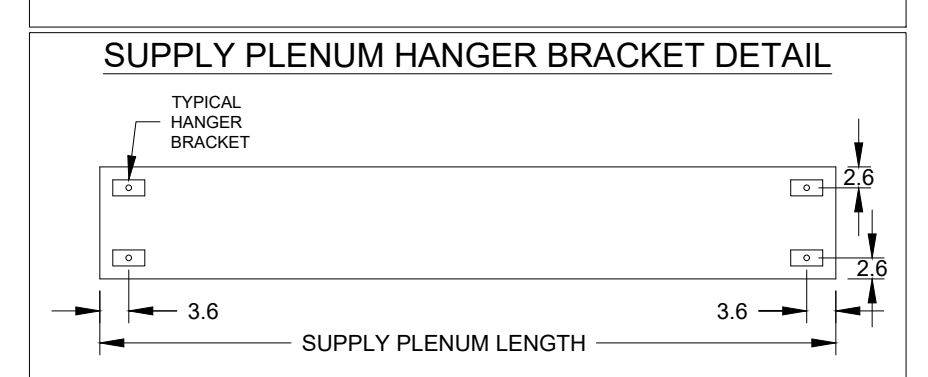
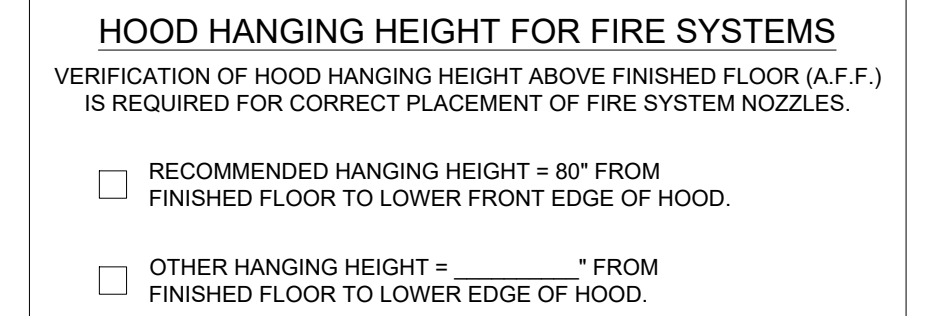
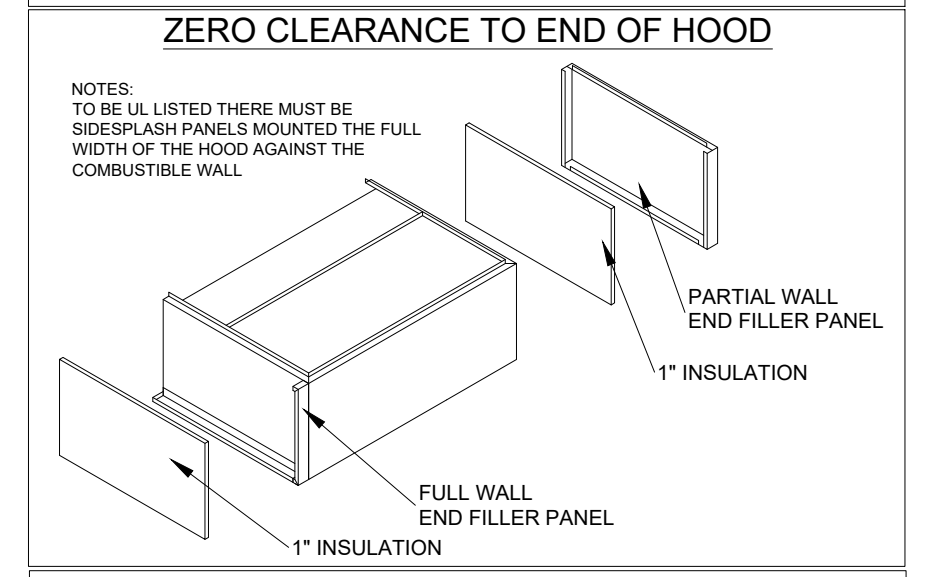
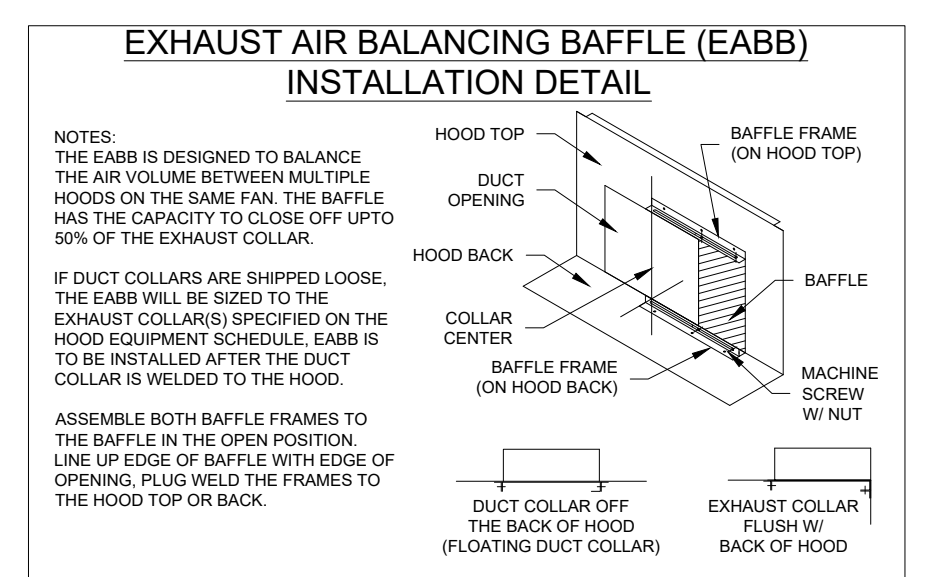
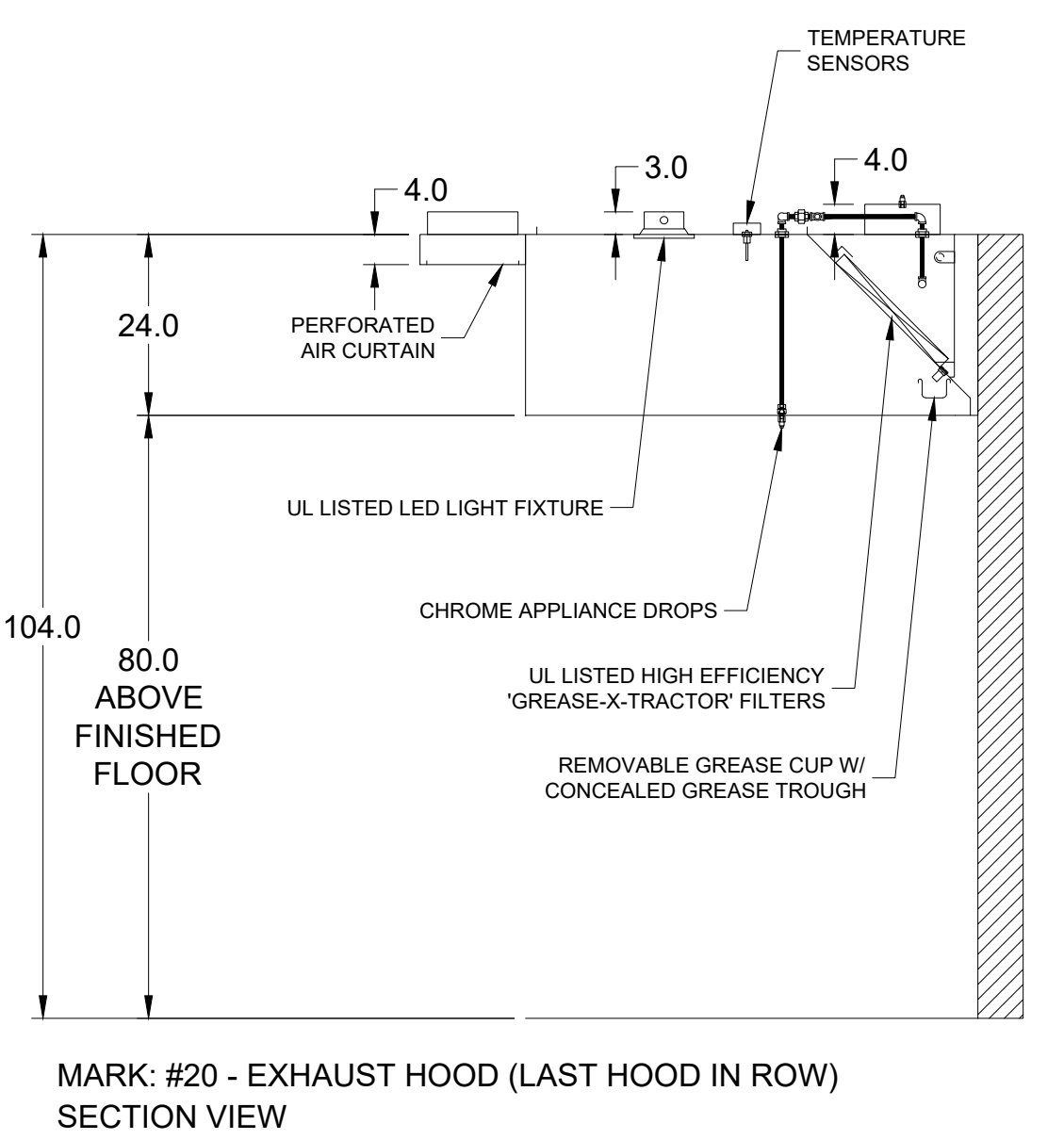
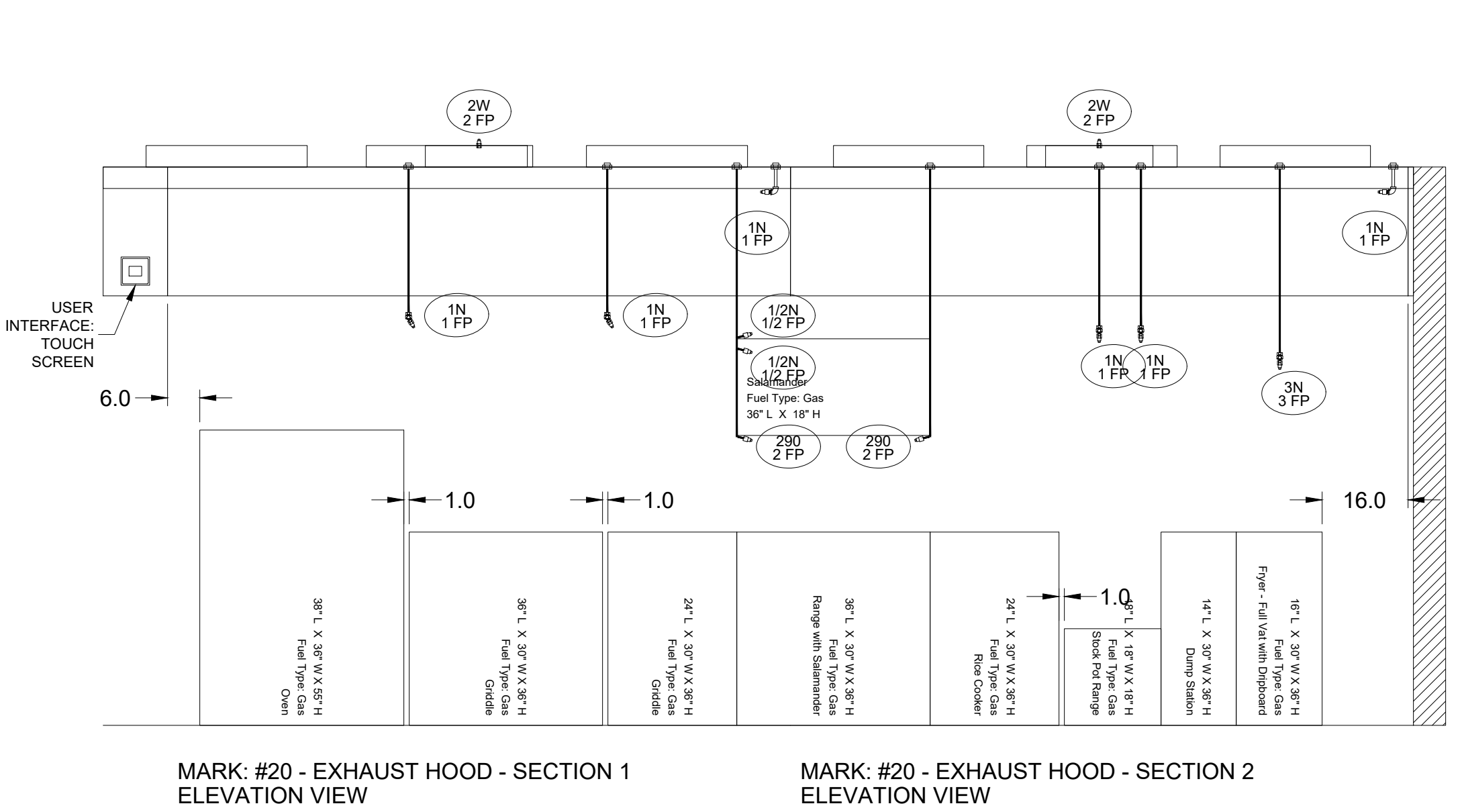
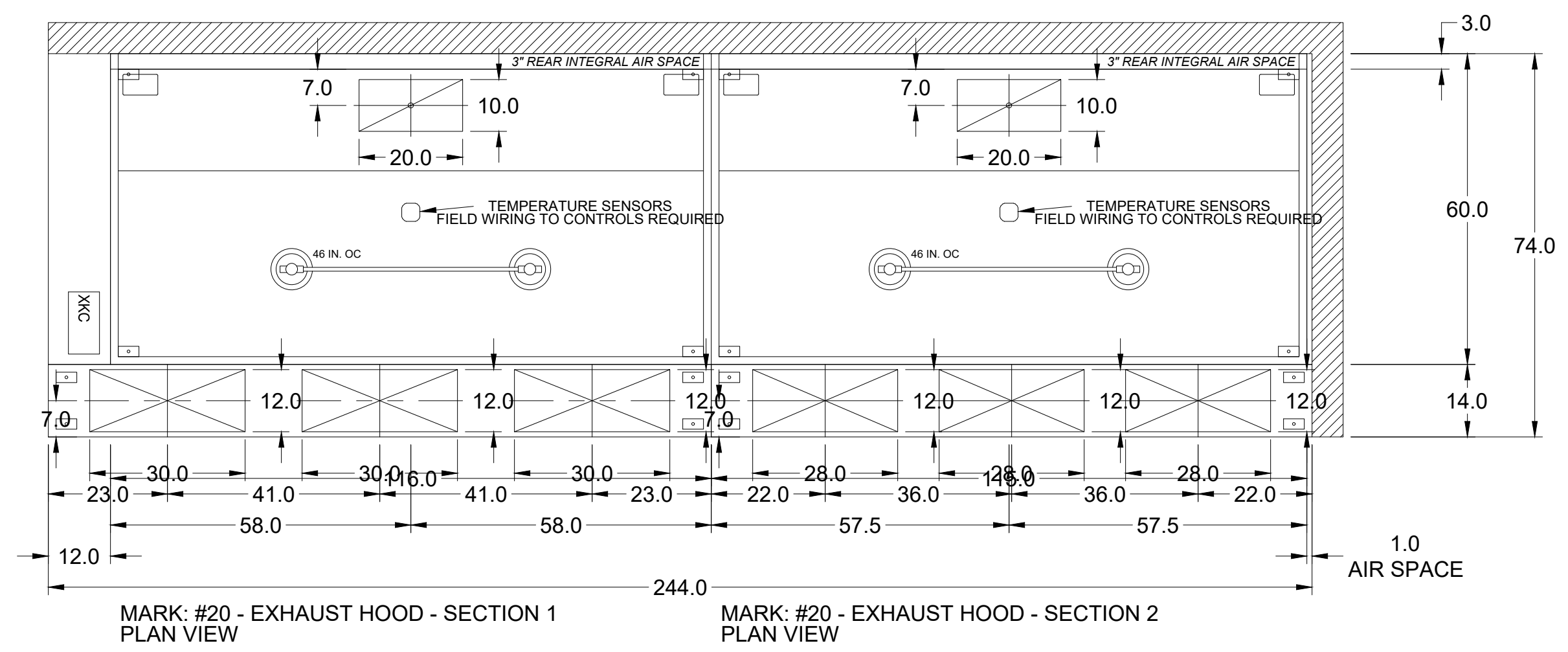
DATE	DESCRIPTION
11/17/22	PLANCHER
12/06/22	PLANCHER 2
01/30/23	OPERATIONS
03/03/23	STRUCTURAL
04/17/2023	OWNER COMMENTS

HOOD NO.	MARK	MODEL	HOOD DIMENSIONS (IN.)			HOOD CONSTR.	COOKING LOAD / DUTY RATING	TOTAL CFM	EXHAUST COLLAR(S)				SUPPLY		TOTAL WEIGHT LBS.	SECTION LOCATION	
			LENGTH	WIDTH	HEIGHT				WIDTH	LENGTH	DIA.	CFM	S.P.	MUA CFM			AC CFM
1	#20 - EXHAUST HOOD	XXEW-116-S	116	60	24	430 SS WHERE EXPOSED	HEAVY	2175	10	20		2175	0.558	1826		328.279	LEFT
2	#20 - EXHAUST HOOD	XXEW-115-S	115	60	24	430 SS WHERE EXPOSED	HEAVY	2175	10	20		2175	0.577	1654		327.918	RIGHT

HOOD NO.	MARK	LIGHTING DETAILS			GREASE FILTRATION DETAILS			UTILITY CABINET(S)							
		FIXTURE TYPE	BULB / LAMP INFO	QTY	FOOT CANDLES	TYPE / MODEL	MATERIAL	QTY	SIZE (IN.)	LOCATION	FIRE SYSTEM TYPE	SIZE	MODEL	CONTROLS INTERFACE	
1	#20 - EXHAUST HOOD	ROUND LED		2	61.67	X-TRACTOR	STAINLESS STEEL	1	16	20	LEFT			XKC	TOUCHSCREEN
2	#20 - EXHAUST HOOD	ROUND LED		2	61.82	X-TRACTOR	STAINLESS STEEL	2	16	20					

HOOD NO.	MARK	POS.	TYPE	SIZE (IN.)			INSULATED	DAMPER(S)	LED LIGHT(S)		TOTAL CFM	COLLARS						
				L	W	H			SUPPLIED	QTY		TYPE	MOUNTING	QTY	W	L	DIA.	CFM
1	#20 - EXHAUST HOOD	FRONT	ASP	128	14	4	NO	NO	NO	1826	MUA	FACTORY	3	12	30	609	0.13	244
2	#20 - EXHAUST HOOD	FRONT	ASP	116	14	4	NO	YES	NO	1654	MUA	FACTORY	3	12	28	551	0.13	236

HOOD OPTIONS
UL 710 LISTED W/ OUT EXHAUST FIRE DAMPER - UL #R25625
BACK INTEGRAL AIR SPACE - 3 IN WIDE
RIGHT NON-INTEGRAL AIR SPACE - 1 IN THICK - ZERO CLEARANCE
CONTINUOUS CAPTURE
FACTORY MOUNTED EXHAUST COLLAR(S)
EXHAUST AIR BALANCING BAFFLE(S) - (EABB)
PERFORMANCE ENHANCING LIP (PEL) TECHNOLOGY
STANDING SEAM CONSTRUCTION FOR SUPERIOR STRENGTH



ACCUREX

PROJECT: 9/27/2022
MARK: #20 - EXHAUST HOOD

UCHIKO - PLANO TX REV.2

ACCUREX SOUTHERN CA & HAWAII
AMEER TILLMAN
SOCAL@ACCUREX.COM
(509)430-5526

DATE	DESCRIPTION
10/11/2022	ISSUE FOR PERMIT
03/14/2023	ISSUE FOR CONSTRUCTION

DATE	DESCRIPTION
11/17/22	PLANCHER
12/06/22	PLANCHER 2
01/03/23	OPERATIONS
03/03/23	STRUCTURAL
04/17/2023	OWNER COMMENTS

MARK	ELECTRICAL CONTROL PACKAGE		USER INTERFACE		FANS CONTROLLED											
	MODEL	LOCATION	TYPE	LOCATION	FAN #	TYPE	FAN	FAN MARK	ZONE	CFM	MOTOR HP	MOTOR VOLT	CYCLE	MOTOR PHASE	MOTOR STARTER IN PANEL	VFD IN PANEL
20D-144D - CONTROLS	XKC-DCV-S-21-3-1-0	LEFT CABINET ON #20 - EXHAUST HOOD	FULL COLOR TOUCHSCREEN	CABINET - LEFT CABINET ON #20 - EXHAUST HOOD	1	EXHAUST	E1	KEF-1 (BY MECHANICAL)	1	4350	5	208	60	3	NO	NO
					2	EXHAUST	E2	KEF-2 (BY MECHANICAL)	1	3400	5	208	60	3	NO	NO
					3	SUPPLY	S1	SF-1	1	6800	5	208	60	3	NO	NO

CONTROL FEATURES
HOOD LIGHT CONTROL
TEMP SENSORS (FACTORY INSTALLED) - QTY. 3
DRY FIRE CONTACTS - QTY. 2
LIGHTS OFF DURING FIRE
EXHAUST MAX DURING FIRE
SUPPLY OFF DURING FIRE
GAS RESET

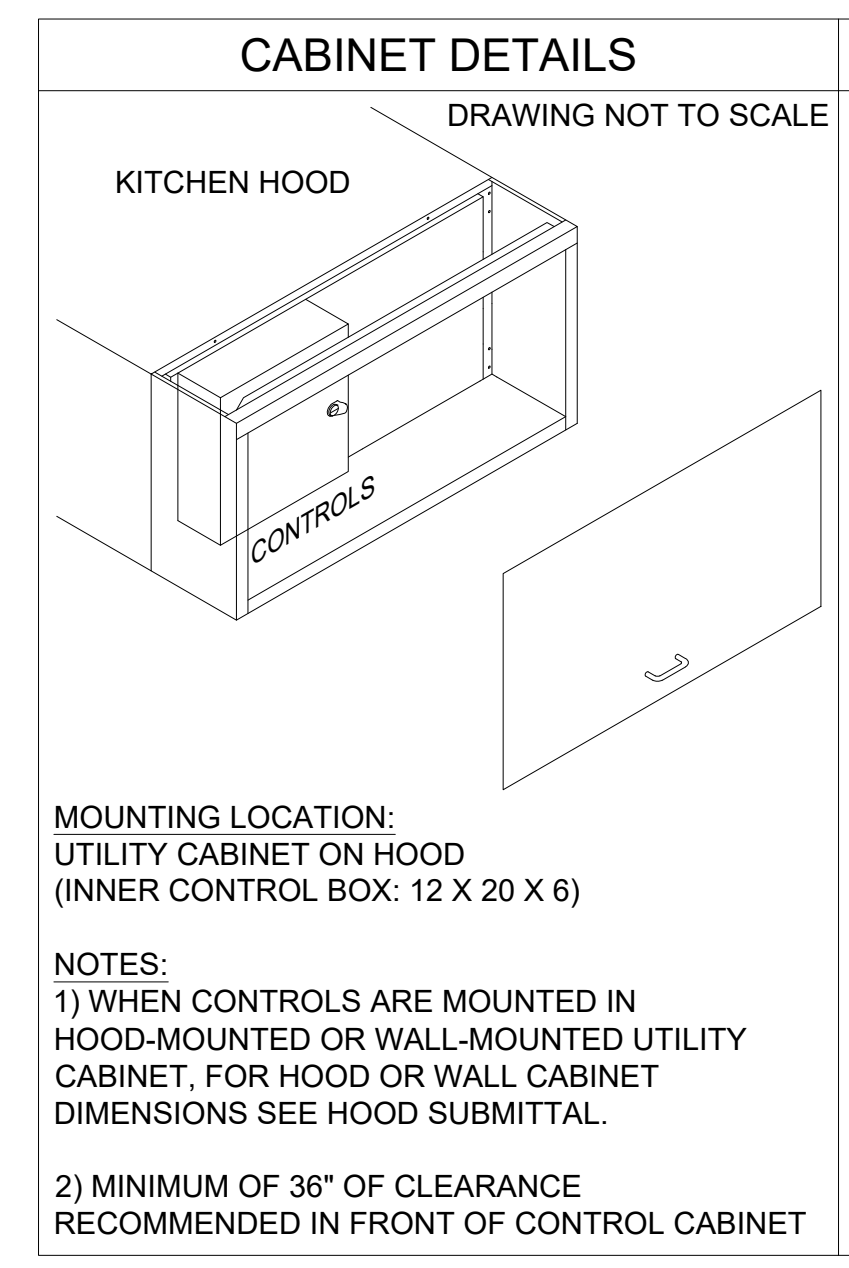
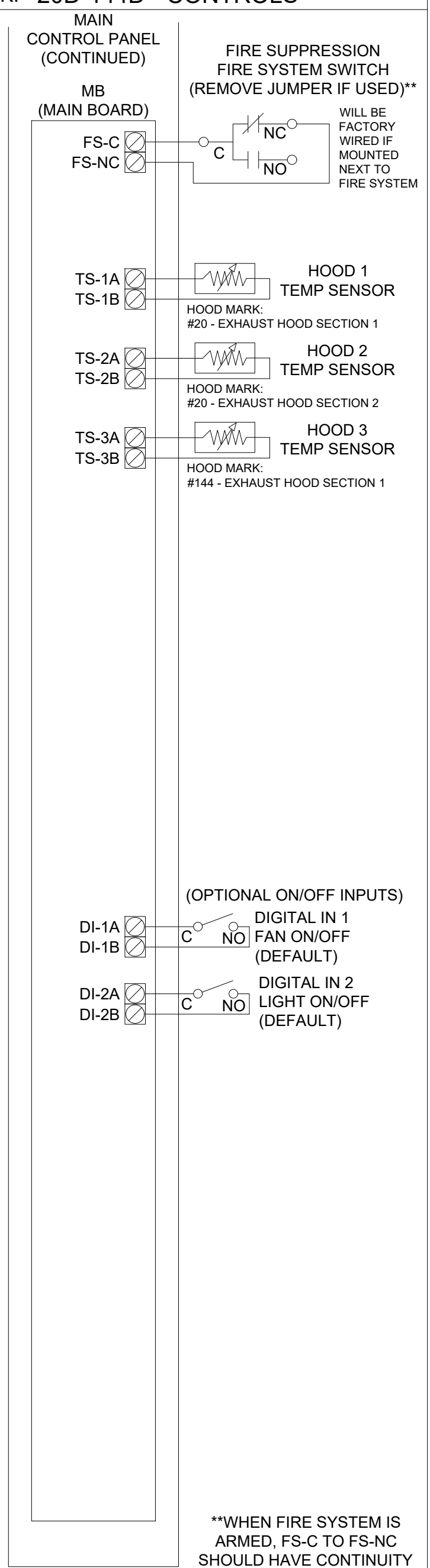
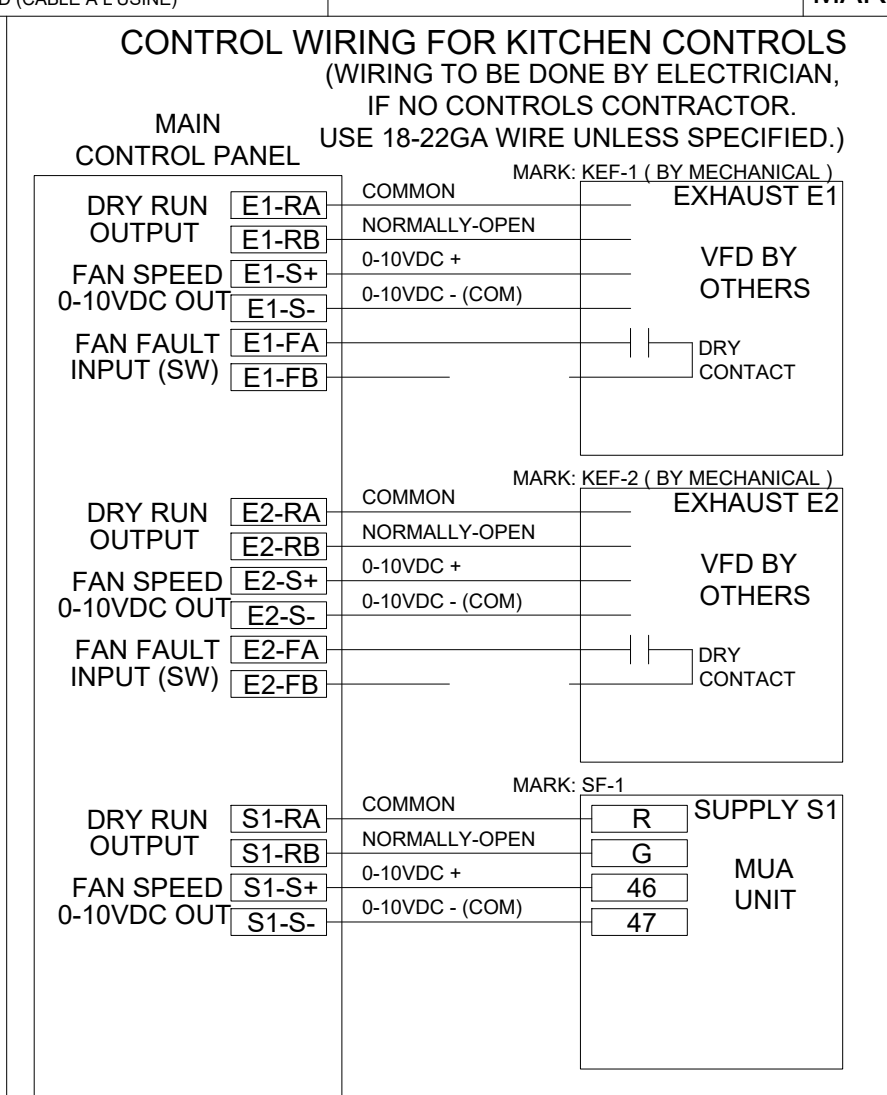
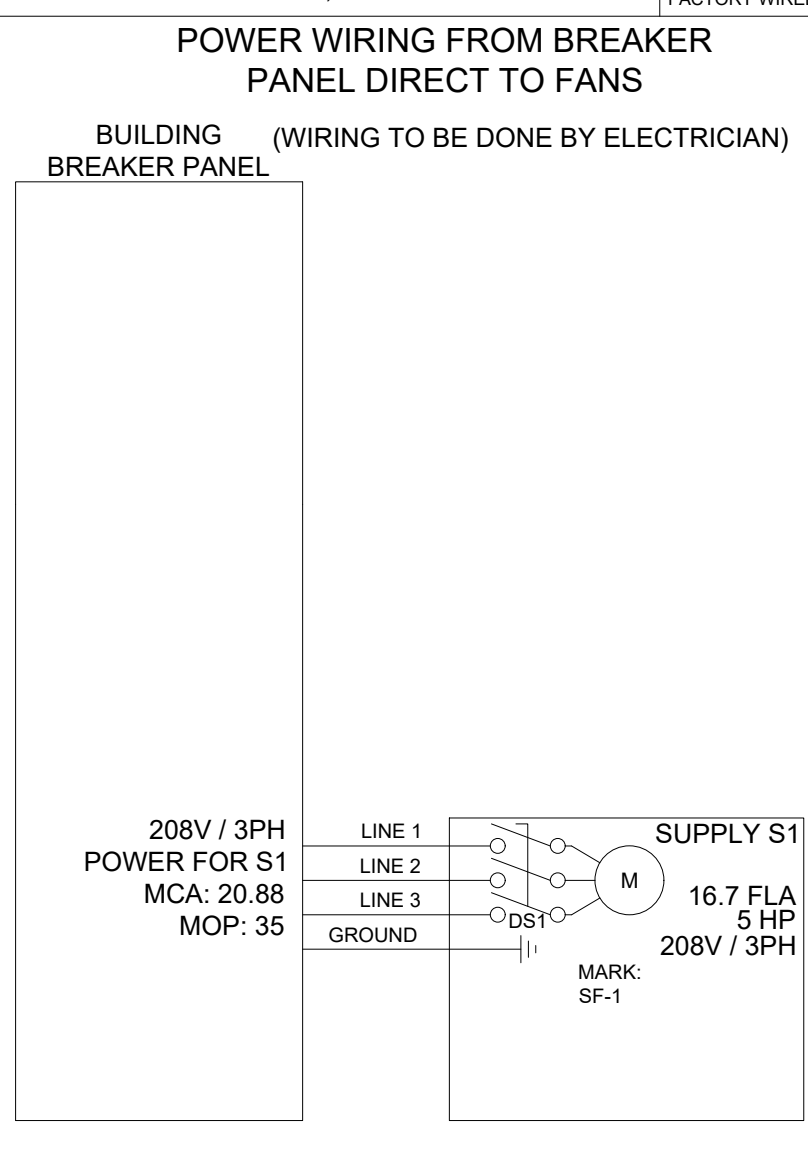
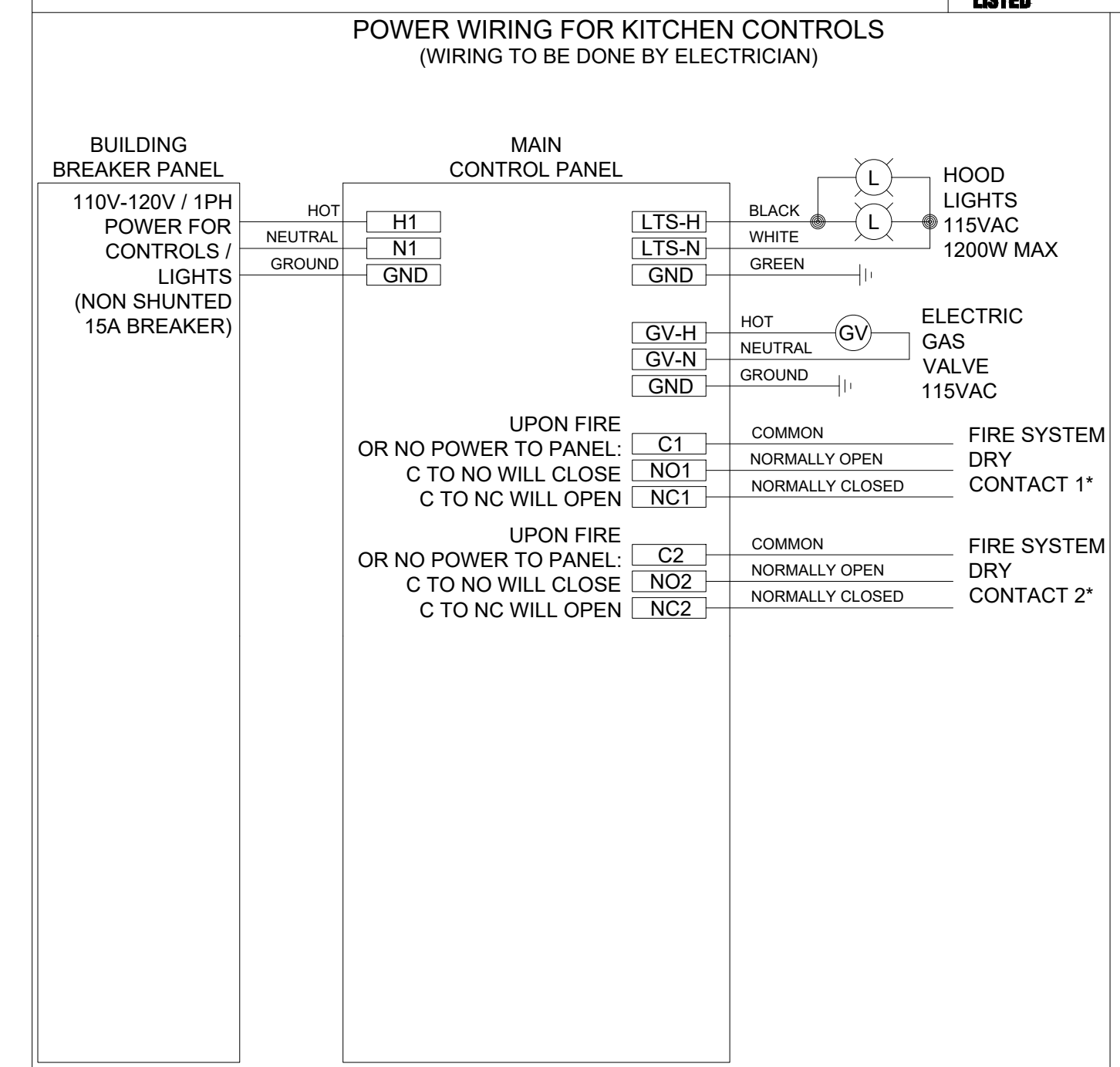
SPECIAL DESIGN REQUESTS
SDR #Q9999999 - VFD BY MECHANICAL



DOC NUMBER: #####
REV: #####
CAUTION
UNIT MUST BE GROUNDED IN ACCORDANCE WITH N.E.C. POWER MUST BE OFF WHILE SERVICING.
ATTENTION
L'APPAREIL DOIT ÊTRE MIS À LA TERRE CONFORMÉMENT AU CODE C.E.L. L'ALIMENTATION DOIT ÊTRE COUPÉE DURANT L'ENTRETIEN.
COMMERCIAL APPLIANCE OUTLET CENTER
ELECTRICAL RATINGS: 110-240V, 1PHASE, 50-60HZ, 15A
BASE FILE #E2000616, ML FILE #E313551

THESE DRAWINGS SHALL NOT BE REMOVED FROM THIS EQUIPMENT. USE COPPER CONDUCTORS RATED TO 90°C UNLESS SPECIFIED OTHERWISE. CONTROL & GROUND BLOCKS TO 4 LBS. IN TORQUE 90°C. SERRER LES BORNES DE COMMANDE ET DE MISE À LA TERRE À 4 LBS. PO. SERRER LES COSSÉS/VS D'ALIMENTATION AUX COUPLES INDUQUES POUR LE COMPOSANT. SERRER LES BORNES À VIS DE LA CARTE DE COMMANDE À 3.5 LB-PO. LA RÉSISTANCE DU CABLAGE DE COMMANDE LOCAL NE DOIT PAS DÉPASSER 0.75 OHM. POUR PLUS D'INFORMATION, CONSULTEZ LE MANUEL OU APPELEZ 1-800-371-8858.
NE PAS RETIRER CES DESSINS DE CET ÉQUIPEMENT SAUF INDICATION CONTRAIRE. UTILISER DES CONDUCTEURS EN CUivre CLASSÉS 90°C. SERRER LES BORNES DE COMMANDE ET DE MISE À LA TERRE À 4 LBS. PO. SERRER LES COSSÉS/VS D'ALIMENTATION AUX COUPLES INDUQUES POUR LE COMPOSANT. SERRER LES BORNES À VIS DE LA CARTE DE COMMANDE À 3.5 LB-PO. LA RÉSISTANCE DU CABLAGE DE COMMANDE LOCAL NE DOIT PAS DÉPASSER 0.75 OHM. POUR PLUS D'INFORMATION, CONSULTEZ LE MANUEL OU APPELEZ 1-800-371-8858.

WIRING DIAGRAM CODE: #####
JOB NAME: UCHIKO - PLANO TX REV.2
MODEL: XKC-DCV-S-21-3-1-0
SERIAL NUMBER: WDSN#
MARK: 20D-144D - CONTROLS



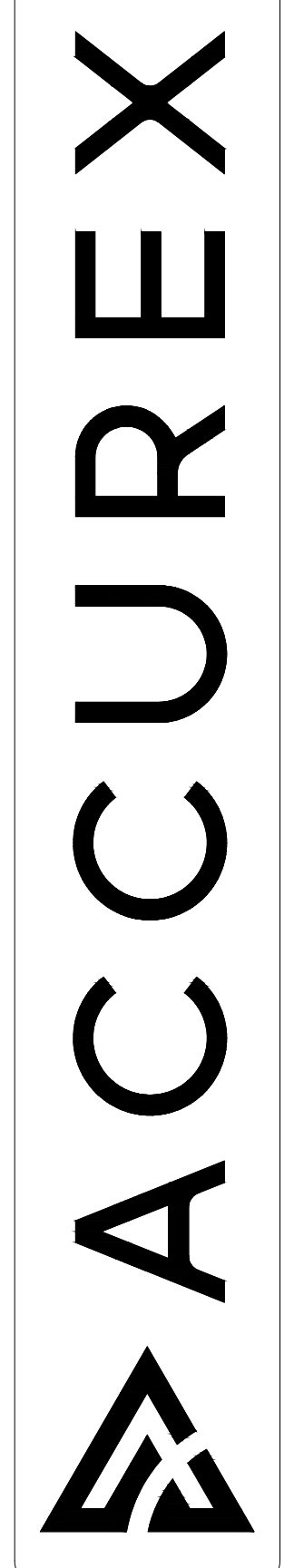
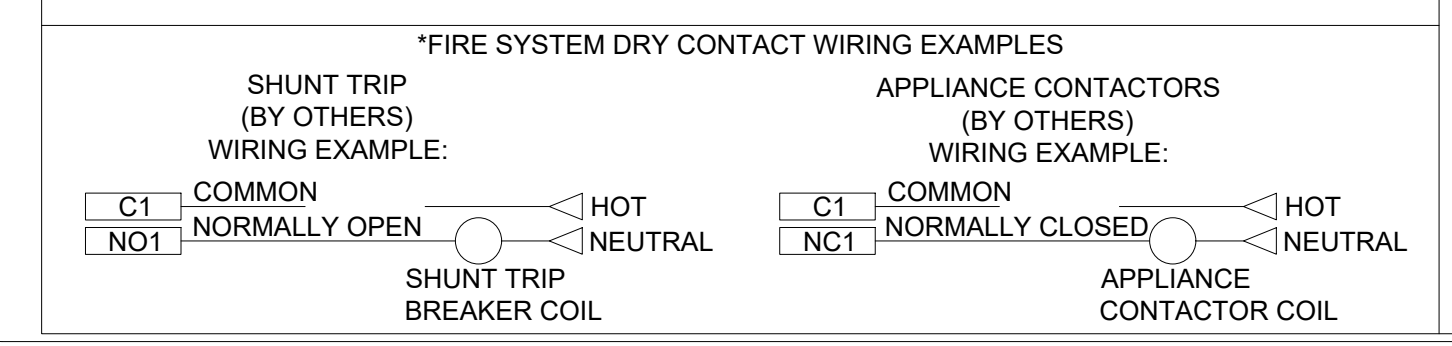
USER INTERFACE DETAILS
MOUNTING TYPE: FACTORY MOUNTED; UTILITY CABINET - LEFT END OF HOOD
USER INTERFACE CONTROL: FANS AND LIGHTS
INTERFACE CABLE LENGTH: 7FT (FACTORY PROVIDED)

MOUNTING LOCATION: UTILITY CABINET ON HOOD (INNER CONTROL BOX: 12 X 20 X 6)
NOTES:
1) WHEN CONTROLS ARE MOUNTED IN HOOD-MOUNTED OR WALL-MOUNTED UTILITY CABINET, FOR HOOD OR WALL CABINET DIMENSIONS SEE HOOD SUBMITTAL.
2) MINIMUM OF 36" OF CLEARANCE RECOMMENDED IN FRONT OF CONTROL CABINET

ZONE CONFIGURATION									
ZONE #	ZONE	ROOM TEMP							
1	Z1	PRESET							

HOOD CONFIGURATION									
HOOD #	HOOD	HOOD MARK	ZONE	EXHAUST	SUPPLY	MB-TEMP SENSORS	HCB		
1	H1	#20 - EXHAUST HOOD SECTION 1	Z1	E1	S1	T51	NO		
2	H2	#20 - EXHAUST HOOD SECTION 2	Z1	E2	S1	T52	NO		
3	H3	#144 - EXHAUST HOOD SECTION 1	Z1	E2	S1	T53	NO		

FAN CONFIGURATION												
FAN #	TYPE	FAN	FAN MARK	ZONE	MIN CFM	MAX CFM	MODBUS VFD	VFD ADDRESS	MIN FREQ	MAX FREQ	MIN VDC	MAX VDC
1	EXHAUST	E1	KEF-1 (BY MECHANICAL)	Z1	2175	4350	NO	-	-	-	5.0	10.0
2	EXHAUST	E2	KEF-2 (BY MECHANICAL)	Z1	1700	3400	NO	-	-	-	5.0	10.0
3	SUPPLY	S1	SF-1	Z1	3400	6800	NO	-	-	-	0.0	10.0



PROJECT: 9/27/2022
MARK: 20D-144D - CONTROLS
UChiko - PLANO TX REV.2

ACCUREX SOUTHERN CA & HAWAII
AMER TILLMAN
SOCAL@ACCUREX.COM
(609)430-5526

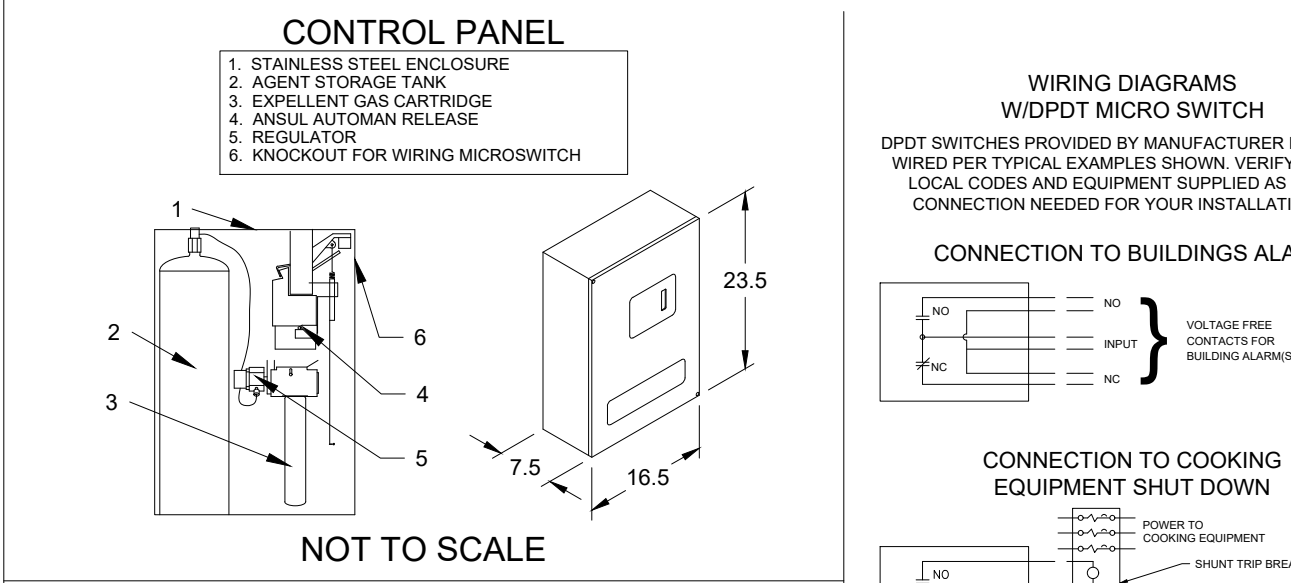
FIRE SYSTEM INFORMATION

MARK	MODEL	LOCATION	FLOW POINTS		SUPPLY LINE	DETECTION	MARK(S) PROTECTED BY FIRE SYSTEM
			HOODS	PCU			
144E - FIRE #2 - PIRANHA	ANSUL R-102 WET CHEMICAL	REMOTE MOUNTED	9 UTILIZED 11 AVAILABLE		CONTINUOUS	FUSIBLE LINK	#144 - EXHAUST HOOD SECTION 1

FIRE SYSTEM OPTIONS AND ACCESSORIES

FULL INSTALLATION (INCLUDES PRE-PIPED HOOD(S) WITH DETECTION AND FACTORY COORDINATED INSTALL)
 CHROME SLEEVES FOR FACTORY PROVIDED APPLIANCES DROPS - INCLUDED
 METAL BLOW-OFF CAPS - INCLUDED
 GAS VALVE - INCLUDED - MECHANICAL SHUTOFF VALVE, 2", (ANSUL) - PART# ANSULMECHSHUTOFFVALVE200
 HOOD SUPPRESSION TANK - INCLUDED - 3 GAL. - [(1) 3.0 TANK(S)]
 REMOTE PULL STATION - STANDARD - FIELD INSTALLATION AT SINGLE POINT OF EGRESS

ANSUL R102 (WET CHEMICAL) FIRE PROTECTION SYSTEM - MODEL FSSC



NOTES:

WET CHEMICAL FIRE PROTECTION SYSTEM TO BE ANSUL R-102, DESIGNED IN COMPLIANCE WITH UL 300 REQUIREMENTS. VERIFICATION OF ALL COOKING EQUIPMENT MAKE, MODEL AND LOCATION REQUIRED FOR ALL FIRE PROTECTION SYSTEMS. ALL FIRE SYSTEM PIPING IS STANDARDLY TO THE RIGHT END OF THE HOOD UNLESS A WALL IS LOCATED ON THE RIGHT END. ANSUL AUTOMAN RELEASE IS TO BE LOCATED WITHIN 60" OF HOOD.

THE BASIC FIRE SYSTEM WILL INCLUDE THE FOLLOWING:
 - GAS SHUT-OFF VALVE, IF REQUIRED, TO BE SUPPLIED BY MANUFACTURER (UP TO 2" DIAMETER AS STANDARD), AND INSTALLED BY A LICENSED PLUMBER.
 - MICRO SWITCH TO BE SUPPLIED BY MANUFACTURER FOR CONNECTION TO, BUT NOT LIMITED TO, BUILDING ALARM SYSTEMS, EXHAUST AND SUPPLY FANS AND ELECTRICAL POWER SHUT DOWN. FIELD WIRING AND CONNECTIONS TO BE PERFORMED BY A LICENSED ELECTRICIAN.

THE BASIC FIRE SYSTEM DOES NOT INCLUDE THE FOLLOWING:
 - FULL CLAMP TEST OTHER THAN WHAT IS SPECIFIED PER THE INSTALLATION MANUAL, OR TO SATISFY A STATE OR LOCAL CODE. PERMIT AND TESTING FEES ARE NOT INCLUDED UNLESS NOTED UNDER THE EQUIPMENT SCHEDULE FOR THE FIRE SYSTEM.
 - MORE THAN TWO TRIPS TO THE JOBSITE OR SPECIAL TRANSPORTATION, OR OVERNIGHT LOGGING REQUIREMENTS IN REMOTE AREAS. NORMAL TRAVEL DISTANCE IS FIRST 50 MI. (80.5 KM) FROM OFFICE.
 - SPECIAL CLASSES OR ADDITIONAL LABOR FOR ACCESS TO SECURITY SENSITIVE AREAS.
 - INSTALLATION OF GAS SHUT-OFF VALVE.
 - SPECIAL DRAWINGS REQUIRED TO SATISFY STATE OR LOCAL CODE. PLAN EXAMINATION FEES, PE OR PS APPROVAL STAMP.
 - UNION LABOR, GOVERNMENT LABOR, OR PREVAILING WAGES REQUIRED FOR FINAL FIELD HOOK-UP.
 - ANY AND ALL ELECTRICAL COMPONENTS/CONNECTIONS REQUIRED TO SHUT DOWN FANS, SHUT OFF DEVICE FOR ELECTRIC COOKING EQUIPMENT (SHUNT TRIP BREAKER), OR ACTIVATE AN ALARM SYSTEM, ETC.
 - ANY DISMANTLING OR REASSEMBLY REQUIRED TO GAIN ACCESS TO THE FIRE SUPPRESSION PIPING LOCATED ON THE TOP OF THE HOOD.
 - RIGID 1/4" HIDDEN CONDUIT FOR REMOTE PULL STATION OR GAS VALVE (FLUSH MOUNTED PULL STATION).
 - INSTALLATION OF MORE THAN (1) REMOTE PULL STATIONS OR DISTANCES GREATER THAN 20 FT (6.1M).
 - PARTS OR LABOR REQUIRED TO CORRECT PIPING DUE TO COOKING EQUIPMENT CHANGES OR DEVIATION FROM PLANS, OR ANY CHARGES FOR MISSING OR ADDITIONAL PARTS OTHER THAN THOSE INDICATED ON THE FIRE SUPPRESSION DETAIL.

NOTES:
 1. --- DENOTES FIELD INSTALLATION.
 2. --- DENOTES FACTORY INSTALLATION.
 3. DO NOT USE BLACK WIRE ON SHUT-ACTION SWITCH IN NORMAL INSTALLATION. BLACK WIRE TO BE USED ONLY FOR EXTRANEIOUS ALARM, LIGHT CIRCUITS, ETC.

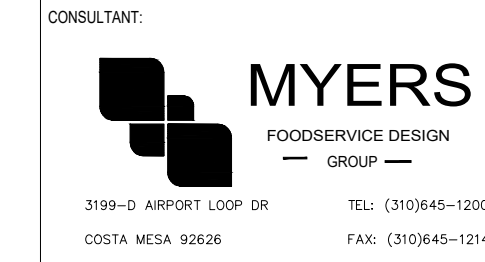
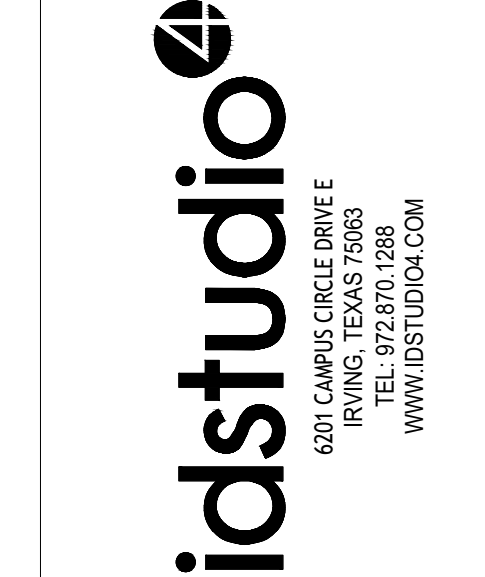
ACCUREX

PROJECT: 9/27/2022

UCHIKO - PLANO TX REV.2

MARK: 144E - FIRE #2 - PIRANHA

CONSULTANT: ACCUREX SOUTHERN CA & HAWAII
 AMER TILLMAN
 SOCIAL@ACCUREX.COM
 (509)430-5526



03/14/2023
ISSUE FOR PERMIT

**UCHIKO LEGACY WEST
 PLANO, TX**
 7801 WINDROSE AVE, SUITE H150
 PLANO, TEXAS 75254

CLIENT: HAI HOSPITALITY
 1306 W. OLTORF STREET, SUITE C
 AUSTIN, TEXAS 78704

CORPORATE:
HAI HOSPITALITY
 1306 W. OLTORF STREET, SUITE C
 AUSTIN, TEXAS 78704
 www.haihospitality.com



DATE	DESCRIPTION
10.11.2022	ISSUE FOR PERMIT
03.14.2023	ISSUE FOR CONSTRUCTION

DATE	DESCRIPTION
11/17/22	PLANCHER
12/09/22	PLANCHER 2
01/30/23	OPERATIONS
03/03/23	STRUCTURAL
04/17/2023	OWNER COMMENTS

HOOD DRAWINGS

SCALE: 1/2" = 1'-0" K-9.5

PROJECT NUMBER:
UCH22001