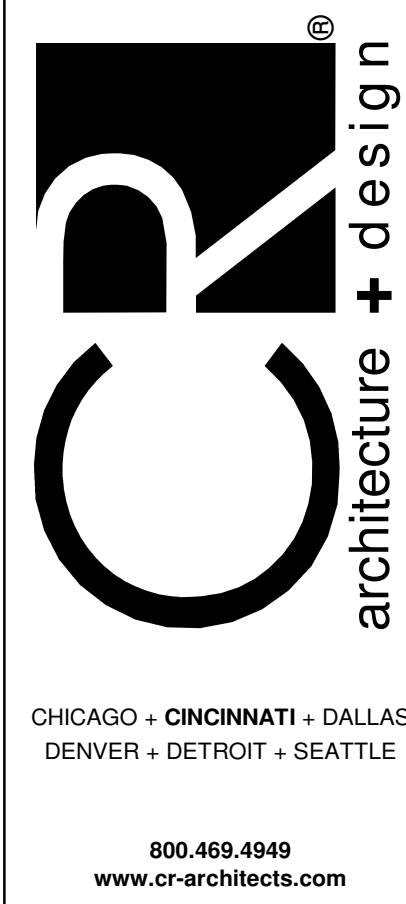


MECHANICAL LEGEND	
SYMBOL	DESCRIPTION
<b>DRAWING SET APPEARANCE</b>	
<p>TO BETTER COMMUNICATE SCOPE TO PERMIT AGENCIES AND CONTRACTORS, EACH DRAWING IN THIS DRAWING SET HAS BEEN CREATED IN BOTH "COLOR" AND "BLACK AND WHITE". THERE EXISTS A COLOR LAYER WITHIN EACH DRAWING WHERE VISIBILITY IS CONTROLLED THROUGH THE PDF LAYER MANAGER. THIS LAYER VISIBILITY CAN BE TOGGLED DISPLAYING EITHER "COLOR" OR "BLACK AND WHITE". TO MAINTAIN SCOPE BASED SHADING WHEN PRINTING TO PAPER, BLACK AND WHITE NEEDS TO BE VISIBLE. FOR FURTHER INSTRUCTIONS, REFER TO CONTRACTOR RESOURCES ON OUR WEBSITE AND DOWNLOAD "DRAWING COLOR INSTRUCTIONS". WWW.KUHENGERS.COM - CONTRACTOR RESOURCES (RIGHT HAND SIDE OF PAGE).</p>	
<b>PIPING LINE TYPES</b>	
	REFRIGERANT LIQUID
	REFRIGERANT SUCTION
	CONDENSATE DRAIN
	SUPPLY MAIN OR BRANCH
	RETURN MAIN OR BRANCH
<b>MECHANICAL AIR DEVICES</b>	
	SUPPLY REGISTER
	RETURN REGISTER
	EXHAUST REGISTER
	RETURN GRILLE
	CEILING DIFFUSER
	2'x2' SQUARE CEILING DIFFUSER WITH 10' NECK
	ROUND CEILING DIFFUSER
<b>MECHANICAL DUCTWORK</b>	
	SUPPLY DUCT WITH ELBOW TURNED UP
	SUPPLY DUCT WITH ELBOW TURNED DOWN
	RETURN DUCT WITH ELBOW TURNED UP
	RETURN DUCT WITH ELBOW TURNED DOWN
	EXHAUST DUCT WITH ELBOW TURNED UP
	EXHAUST DUCT WITH ELBOW TURNED DOWN
	SUPPLY DUCT
	RETURN DUCT
	EXHAUST DUCT
	FLEXIBLE DUCTWORK CONNECTION
	BRANCH TAKEOFF
	REDUCER, CONCENTRIC
	REDUCER, NONCONCENTRIC
<b>MECHANICAL DUCTWORK ACCESSORIES</b>	
	DUCT WITH MANUAL VOLUME DAMPER
	ROUND ELBOW WITH TURNING VANES
	ELBOW WITH TURNING VANES
	DUCT MOUNTED SMOKE DETECTOR (HARD WIRE INTERLOCK TO FAN MOTOR BY E.C.) FURNISHED BY E.C., INSTALLED BY M.C.
<b>MECHANICAL STATS &amp; SENSORS</b>	
	TEMPERATURE SENSOR
	LOW VOLTAGE THERMOSTAT
	REVERSE ACTING THERMOSTAT
	HUMIDITY SENSOR
	CARBON DIOXIDE SENSOR
<b>MECHANICAL MISCELLANEOUS</b>	
	ANSUL PULL STATION

GENERAL NOTES	
A.	REFER TO HEATING, VENTILATING & AIR CONDITIONING SPECIFICATIONS AND GENERAL CONDITIONS FOR ADDITIONAL REQUIREMENTS.
B.	ALL DIFFUSERS AND CEILING GRILLES SHALL BE COORDINATED WITH LAY-IN CEILING GRID AND PROVIDED BY MECHANICAL CONTRACTOR. REFER TO DETAILS 230713.00.21 AND 230713.00.04 ON SHEET MS.2 FOR INSTALLATION INFORMATION.
C.	PROVIDE BALANCING DAMPERS FOR EACH DIFFUSER, REGISTER AND GRILLE AT POINTS ON SUPPLY, RETURN, AND EXHAUST SYSTEMS WHERE BRANCHES LEAD OFF FROM LARGER DUCTS OR IN DIFFUSERS AS REQUIRED FOR AIR BALANCING. INSTALL AT A MINIMUM OF TWO DUCT WIDTHS FROM BRANCH TAKEOFF WHERE PRACTICAL. REFER TO DETAIL 230500.00.01 ON SHEET MS.2 FOR ADDITIONAL INFORMATION.
D.	ALL NEW EXHAUST FANS AND RTUS SPECIFIED ARE INCLUDED IN KROGER'S DIRECT BUY PROGRAM AND SHALL BE FURNISHED BY KROGER AND INSTALLED BY HVAC CONTRACTOR, UNLESS OTHERWISE NOTED.
E.	ALL HVAC DUCT SMOKE DETECTORS ARE TO BE PROVIDED BY HVAC CONTRACTOR.
F.	PROVIDE BACKDRAFT DAMPERS FOR NON-KITCHEN EXHAUST FANS.
G.	SUPPLY AND RETURN DUCTWORK FROM ROOFTOP UNITS TO BE INTERNALLY INSULATED A MINIMUM OF TEN FEET FOR SOUND ATTENUATION.
H.	PROVIDE TURNING VANES IN ALL RECTANGULAR MITERED ELBOWS.
I.	ALL DIFFUSERS ARE 4-WAY UNLESS OTHERWISE INDICATED.
J.	RUNOUTS TO CEILING DIFFUSERS ARE THE SAME SIZE AS THE DIFFUSER NECK UNLESS NOTED OTHERWISE.
K.	SUPPLY, RETURN AND OUTSIDE AIR DUCT TO BE EXTERNALLY INSULATED WHERE LOCATED ABOVE CEILING SPACE. REFER TO SPECIFICATION 230700.

**DESIGN AMBIENT TEMP'S:**  
**SUMMER: 102 DEG DRY BULB  
75 DEG WET BULB  
WINTER: 22 DEG DRY BULB**



CONSULTANTS

MECHANICAL ELECTRICAL ENGINEERS  
WWW.KUHENGERS.COM  
LEWINGTON, KENTUCKY  
LOUISVILLE, KENTUCKY  
COLUMBUS, OHIO

KLH ENGINEERS  
KOHRS, LONNEMANN HILL ENGINEERS, INC.  
1138 ALEXANDRIA PIKE, SUITE 11  
FT. THOMAS, KENTUCKY 41075  
859.442.8650  
859.442.8658 FAX



ISSUE/REVISION	
DATE	DESCRIPTION
08/31/2023	90% OWNER REVIEW
10/17/2023	BID/PERMIT ISSUE

PROJECT TITLE  
**KING SOOPERS  
KS154**

HWY 52 & COLORADO BLVD  
FREDERICK, CO 80643

COMMISSION NO. **522401**

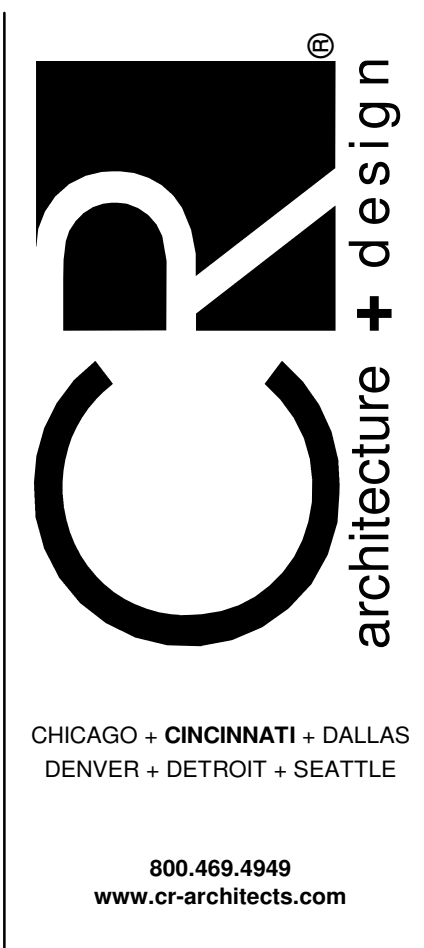
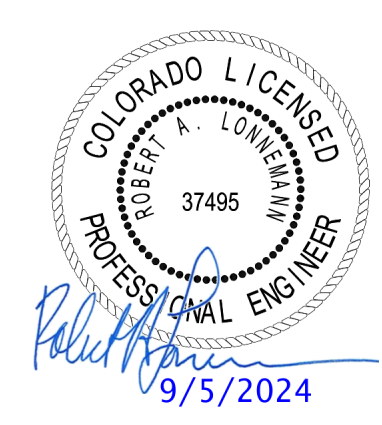
ISSUE DATE **10/17/23**

SHEET TITLE  
**MECHANICAL  
ABBREVIATIONS,  
SYMBOLS, AND  
GENERAL NOTES**

SHEET NO.  
**MO.1**

© 2022 Cole+Russell Architects, Inc.

THIS DOCUMENT IS THE PROPERTY OF COLE+RUSSELL ARCHITECTS, INC. WITHIN THE DOCUMENT FOR THE INFORMATION IT CONTAINS MAY BE REPRODUCED OR TRANSMITTED IN ANY FORM OR BY ANY MEANS, ELECTRONIC OR MECHANICAL, INCLUDING PHOTOCOPYING, RECORDING, OR BY ANY INFORMATION STORAGE AND RETRIEVAL SYSTEM, WITHOUT PERMISSION IN WRITING FROM COLE+RUSSELL ARCHITECTS, INC.  
1101 EAST WASHINGTON, SUITE 200, DENVER, CO 80202



MECHANICAL/ELECTRICAL ENGINEERS  
 WWW.KLHENGINEERS.COM  
 LEWINGTON, KENTUCKY  
 LOUISVILLE, KENTUCKY  
 COLUMBUS, OHIO

**KLH ENGINEERS**  
 KOHRS LONNEMANN HEIL ENGINEERS, INC.  
 1538 ALEXANDRIA PIKE, SUITE 111  
 FT. THOMAS, KENTUCKY 41075  
 502-442-8500  
 502-442-8508 FAX



ISSUE/REVISION

DATE	DESCRIPTION
08/31/2023	90% OWNER REVIEW
10/17/2023	BID/PERMIT ISSUE
3/02/16/2024	ADDENDUM NO. 5
7/08/23/2024	BULLETIN NO. 5

PROJECT TITLE  
**KING SOOPERS**  
 KS154

HWY 52 & COLORADO BLVD  
 FREDERICK, CO 80643

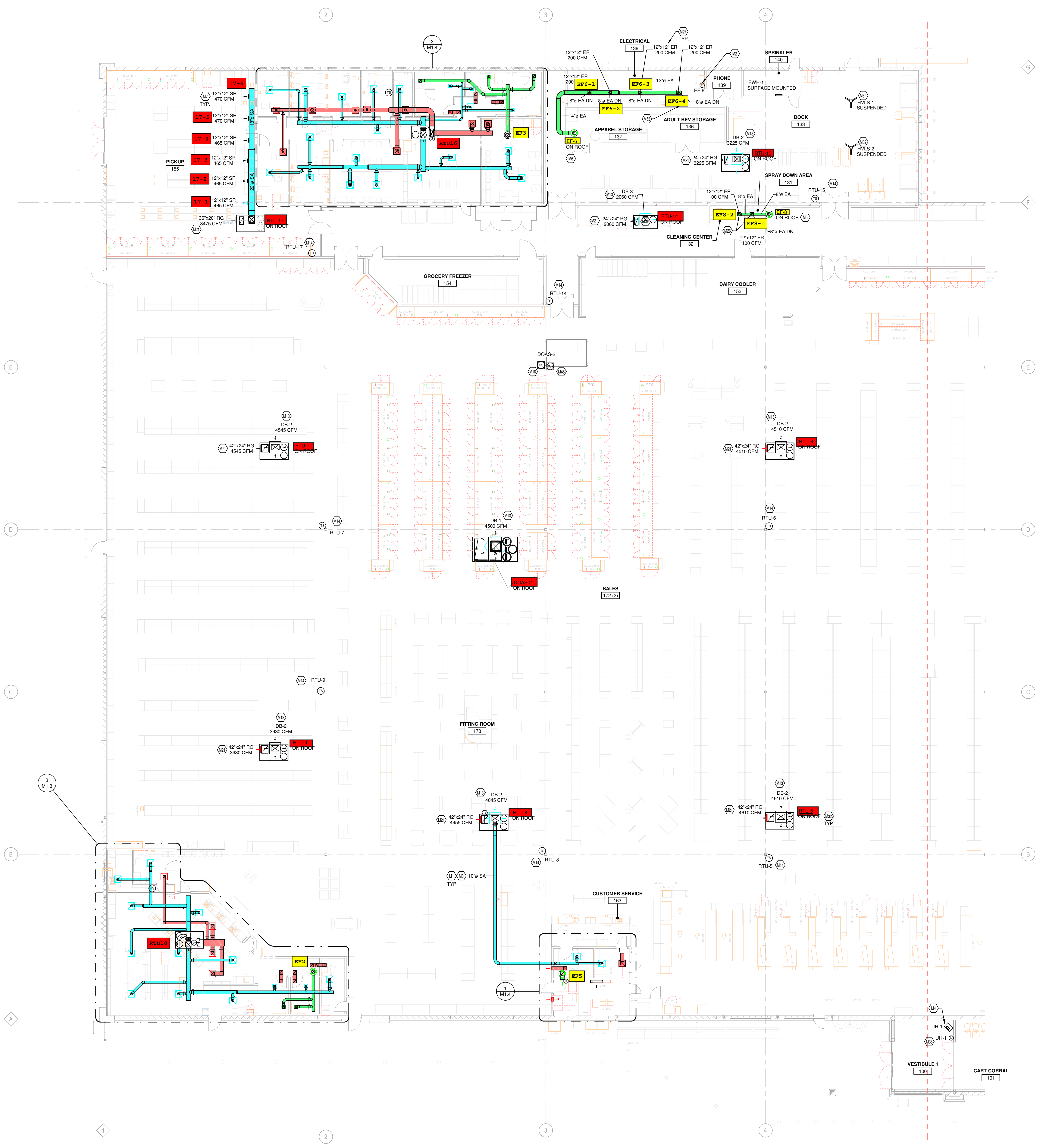
COMMISSION NO. 522401  
 ISSUE DATE 10/17/23  
 SHEET TITLE  
**HVAC FLOOR PLAN - LEFT**

SHEET NO.  
**M1.1a**  
 © 2022 Cole-Russell Architects, Inc.

**KEYED NOTES**

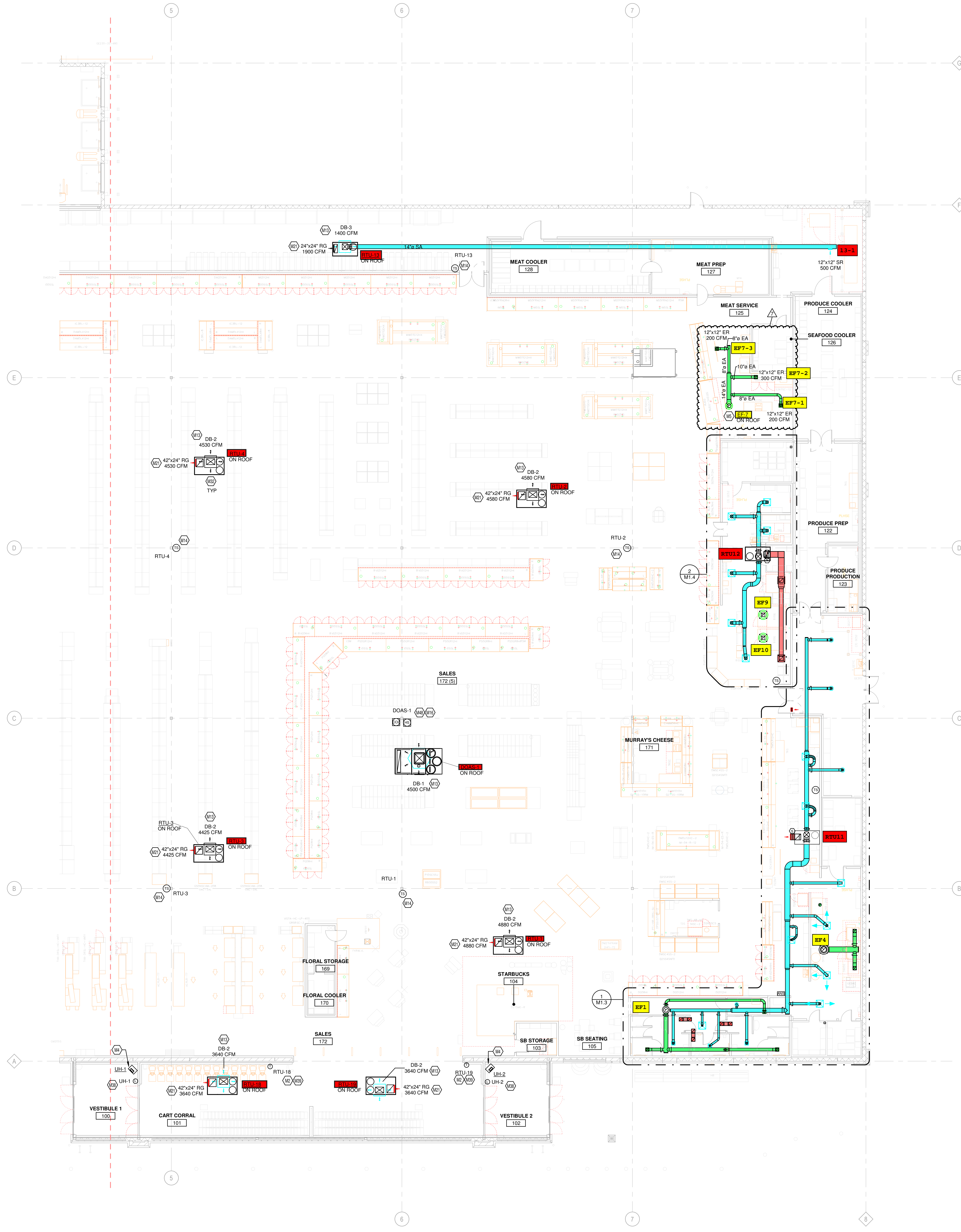
- M1 CONTRACTOR TO REFER TO HSD-3 FOR DUCTWORK INSTALLATION INFORMATION.
- M2 THERMOSTAT TO BE MOUNTED AT 4'0" AFF. PROVIDE LOCKABLE PROTECTIVE COVER OVER DEVICE.
- M4 SUSPENDED ELECTRIC HEATER USING THREADED ROD TO UNISTRUIT CHANNEL OR APPROVED EQUAL. MOUNT 18" AFF TO BOTTOM OF UNIT. VERIFY LOCATION AND REQUIREMENTS TO OWNER PRIOR TO INSTALLATION. REFER TO 238289.00-01 ON M5.2 AND M6.1 FOR MORE INFORMATION.
- M5 DUCT UP TO OPENING THROUGH ROOF CAPPED WITH CURB AND KROGER FURNISHED EXHAUST FAN.
- M6 DUCT UP TO OPENING THRU ROOF. CONTRACTOR TO PROVIDE REVERSE ACTING THERMOSTAT FOR FAN. FAN TO ENERGIZE WHEN ROOM REACHES 80 DEG F.
- M7 SIDEWALL DIFFUSERS TO BE INSTALLED AT 45 DEGREES DOWNWARD. REFER TO 233713.00-02 ON M5.2 FOR INSTALLATION INFORMATION.
- M8 DUCTWORK TO BE HELD TIGHT TO STRUCTURE.
- M13 DROP BOX DIFFUSER SYSTEM. REFER TO DIFFUSER SCHEDULE FOR AES MODEL NUMBERS AND QUANTITIES. REFER TO FLOOR PLANS FOR THROW DIRECTIONS AND AIRFLOW. REFER TO DETAIL HSD-1 FOR INSTALLATION.
- M14 TEMPERATURE SENSOR FOR RTU FURNISHED BY ORIGINAL EQUIPMENT MANUFACTURER. ROUTE CONTROL WIRING THROUGH RTU AND BACK TO BUILDING CONTROL PANEL.
- M16 HUMIDITY/TEMPERATURE SENSOR FURNISHED BY ORIGINAL EQUIPMENT MANUFACTURER. INSTALL PROBE AT 7'-8" AFF ON COLUMN. REFER TO EM SERIES OF DRAWINGS FOR FURTHER INFORMATION.
- M21 RETURN AIR GRILLE IN SIDE OF DUCT DROP. TITUS 50F WITH 1 INCH OPENINGS OR APPROVED EQUAL.
- M26 MOUNT GRILLE/REGISTER 8" AFF.
- M27 MOUNT GRILLE/REGISTER 10" AFF.
- M28 ROOFTOP UNIT FURNISHED BY KROGER AND INSTALLED BY MECHANICAL CONTRACTOR. BALANCE TO SCHEDULED AIRFLOW. REFER TO ARCHITECTURAL ROOF PLAN FOR HVAC ROOFTOP DIMENSIONAL INFORMATION. REFER TO STRUCTURAL DRAWINGS FOR JOIST AND BEAM LOCATIONS AND DIMENSIONAL INFORMATION. REFER TO HSD-10 FOR INFORMATION REGARDING BRACING FOR WIND RESISTANCE.
- M38 THERMOSTAT TO BE CONFIGURED WITH AUTOMATIC HEATING SHUTOFF ACTIVATING WHEN OUTDOOR AIR TEMPERATURE REACHES 45 DEG F.
- M48 PROVIDE CO2 SENSOR WHERE SHOWN. ROUTE CONTROL WIRING TO BUILDING CONTROL PANEL.
- M53 LOCATION OF EMS PANEL.
- M62 FAN PROVIDED BY CONTRACTOR AND CONTROLLED BY LOCAL SWITCH. MOUNT FAN PER MANUFACTURERS RECOMMENDATIONS.

REFLOTTED FOR COLUMN LINE CLARITY ONLY. NO ADDITIONAL CHANGES HAVE BEEN MADE TO THIS SHEET.



2 HVAC FLOOR PLAN - LEFT  
 3/32" = 1'-0"

THIS DOCUMENT IS THE PROPERTY OF COLE-RUSSELL ARCHITECTS, INC. WITHIN THE DOCUMENT FOR THE INFORMATION CONTAINED HEREIN, THE ARCHITECT ASSUMES NO LIABILITY FOR ANY ERRORS OR OMISSIONS. THE USER OF THIS DOCUMENT ASSUMES ALL LIABILITY FOR ANY SUCH ERRORS OR OMISSIONS.



**KEYED NOTES**

- M2 THERMOSTAT TO BE MOUNTED AT 4" AFF. PROVIDE LOCKABLE PROTECTIVE COVER OVER DEVICE.
- M4 SUSPENDED ELECTRIC HEATER USING THREADED ROD TO UNISTRUT CHANNEL OR APPROVED EQUAL. MOUNT 16" AFF TO BOTTOM OF UNIT. VERIFY LOCATION AND REQUIREMENTS TO OWNER PRIOR TO INSTALLATION. REFER TO 238239.00-01 ON M5.2 AND M6.1 FOR MORE INFORMATION.
- M5 DUCT UP TO OPENING THROUGH ROOF CAPPED WITH CURB AND KROGER FURNISHED EXHAUST FAN.
- M13 DROP BOX DIFFUSER SYSTEM. REFER TO DIFFUSER SCHEDULE FOR AES MODEL NUMBERS AND QUANTITIES. REFER TO FLOOR PLANS FOR THROW DIRECTIONS AND AIRFLOW. REFER TO DETAIL HSD-1 FOR INSTALLATION.
- M14 TEMPERATURE SENSOR FOR RTU FURNISHED BY ORIGINAL EQUIPMENT MANUFACTURER. ROUTE CONTROL WIRING THROUGH RTU AND BACK TO BUILDING CONTROL PANEL.
- M16 HUMIDITY/TEMPERATURE SENSOR FURNISHED BY ORIGINAL EQUIPMENT MANUFACTURER. INSTALL PROBE AT 7' 6" AFF ON COLUMN. REFER TO EM SERIES OF DRAWINGS FOR FURTHER INFORMATION.
- M21 RETURN AIR GRILLE IN SIDE OF DUCT DROP. TITUS 50F WITH 1 INCH OPENINGS OR APPROVED EQUAL.
- M32 ROOFTOP UNIT FURNISHED BY KROGER AND INSTALLED BY MECHANICAL CONTRACTOR. BALANCE TO SCHEDULED AIRFLOW. REFER TO ARCHITECTURAL ROOF PLAN FOR HVAC ROOFTOP DIMENSIONAL INFORMATION. REFER TO STRUCTURAL DRAWINGS FOR JOIST AND BEAM LOCATIONS AND DIMENSIONAL INFORMATION. REFER TO HSD-10 FOR INFORMATION REGARDING BRACING FOR WIND RESISTANCE.
- M38 THERMOSTAT TO BE CONFIGURED WITH AUTOMATIC HEATING SHUTOFF ACTIVATING WHEN OUTDOOR AIR TEMPERATURE REACHES 45 DEG F.
- M39 THERMOSTAT TO BE CONFIGURED WITH AUTOMATIC CONTROLS TO LIMIT HEATING TO A 60 DEG F MAXIMUM AND COOLING TO AN 85 DEG F MINIMUM.
- M48 PROVIDE CO2 SENSOR WHERE SHOWN. ROUTE CONTROL WIRING TO BUILDING CONTROL PANEL.



CHICAGO • CINCINNATI • DALLAS  
DENVER • DETROIT • SEATTLE

CONSULTANTS

MECHANICAL/ELECTRICAL ENGINEERS  
WWW.KLHENGINEERS.COM  
LEXINGTON, KENTUCKY  
LOUISVILLE, KENTUCKY  
COLUMBUS, OHIO

**KLH ENGINEERS**  
KOHRS, LONNEMANN HEIL ENGINEERS, INC.  
1538 ALEXANDRIA PIKE, SUITE 111  
FT. THOMAS, KENTUCKY 41075  
859-442-8958 FAX

OWNER



ISSUE/REVISION	DATE	DESCRIPTION
1	08/31/2023	90% OWNER REVIEW
2	10/17/2023	BID/PERMIT ISSUE
3	01/11/2024	ADDENDUM NO. 2
4	08/23/2024	BULLETIN NO. 5

PROJECT TITLE  
**KING SOOPERS**  
KS154

HWY 52 & COLORADO BLVD  
FREDERICK, CO 80643  
COMMISSION NO. 522401  
ISSUE DATE 10/17/23  
SHEET TITLE  
**HVAC FLOOR PLAN - RIGHT**

SHEET NO.  
**M1.1b**  
© 2022 Cole-Russell Architects, Inc.

THIS DOCUMENT IS THE PROPERTY OF COLE-RUSSELL ARCHITECTS, INC. WITHIN THE DOCUMENT FOR THE INFORMATION IT CONTAINS MAY BE REPRODUCED OR TRANSMITTED IN ANY FORM OR BY ANY MEANS, ELECTRONIC OR MECHANICAL, INCLUDING PHOTOCOPYING, RECORDING, OR BY ANY INFORMATION STORAGE AND RETRIEVAL SYSTEM, WITHOUT THE WRITTEN PERMISSION OF COLE-RUSSELL ARCHITECTS, INC.

1 HVAC FLOOR PLAN - RIGHT  
3/32" = 1'-0"

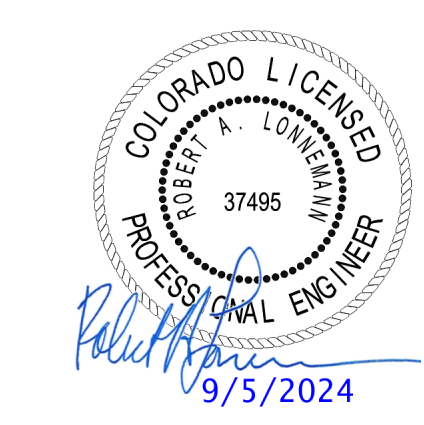
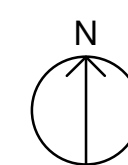


- KEYED NOTES**
- M3 REFER TO SHEETS M3.1.8 AND M3.1.9 FOR DETAILED INFORMATION REGARDING DOAS UNITS.
  - M20 ROOF HATCH
  - M23 ROOF HATCH  
KROGER FURNISHED SPLIT SYSTEM PROVIDED WITH LOW AMBIENT KIT AND WIND BAFFLES. MOUNT PER MANUFACTURER'S RECOMMENDATIONS. INDOOR UNIT (SI) TO BE MOUNTED A MINIMUM OF 7'-0" AFF TO BOTTOM OF UNIT. ROUTE REFRIGERANT LINES THROUGH ROOF TO CONDENSING UNIT PER MANUFACTURER'S GUIDELINES. ROUTE INSULATED 3/4" CONDENSATE TO HUB DRAIN IN AREA. COORDINATE ORDERING OF REFRIGERANT LINES WITH OWNER'S PROJECT MANAGER. REFERENCE HSD-11 FOR ADDITIONAL INFORMATION.
  - M29 INSTALL FLUES AND EXHAUST FANS A MINIMUM OF 10 FEET FROM OUTSIDE AIR INTAKE OF ROOFTOP UNITS.
  - M32 ROOFTOP UNIT FURNISHED BY KROGER AND INSTALLED BY MECHANICAL CONTRACTOR. BALANCE TO SCHEDULED AIRFLOW. REFER TO ARCHITECTURAL ROOF PLAN FOR HVAC ROOFTOP DIMENSIONAL INFORMATION. REFER TO STRUCTURAL DRAWINGS FOR JOIST AND BEAM LOCATIONS AND DIMENSIONAL INFORMATION. REFER TO HSD-10 FOR INFORMATION REGARDING BRACING FOR WIND RESISTANCE.
  - M42 ROOF MOUNTED REFRIGERATION CONDENSER SHOWN FOR COORDINATION PURPOSES.

THIS DOCUMENT IS THE PROPERTY OF COLE-RUSSELL ARCHITECTS, INC. WITHIN THE DOCUMENT FOR THE INFORMATION CONTAINED HEREIN, NO PART OF THIS DOCUMENT IS TO BE REPRODUCED OR TRANSMITTED IN ANY FORM OR BY ANY MEANS, ELECTRONIC OR MECHANICAL, INCLUDING PHOTOCOPYING, RECORDING, OR BY ANY INFORMATION STORAGE AND RETRIEVAL SYSTEM.

1 HVAC ROOF PLAN - LEFT  
3/32" = 1'-0"

REFLOTTED FOR COLUMN LINE CLARITY ONLY. NO ADDITIONAL CHANGES HAVE BEEN MADE TO THIS SHEET.



**CR**  
architecture + design

CHICAGO • CINCINNATI • DALLAS  
DENVER • DETROIT • SEATTLE

800.469.4949  
www.crarchitects.com

CONSULTANTS

MECHANICAL ELECTRICAL ENGINEERS  
WWW.KLHENGINEERS.COM  
LEXINGTON, KENTUCKY  
LOUISVILLE, KENTUCKY  
COLUMBUS, OHIO

**KLH**  
ENGINEERS

KOHLER CONNEMANN HEIL ENGINEERS, INC.  
11388 ALEXANDRIA PIKE, SUITE 111  
FT. THOMAS, KENTUCKY 41075  
859.442.8600  
859.442.8608 FAX

OWNER

ISSUE/REVISION

DATE	DESCRIPTION
08/31/2023	90% OWNER REVIEW
10/17/2023	BID/PERMIT ISSUE
7 08/23/2024	BULLETIN NO. 5

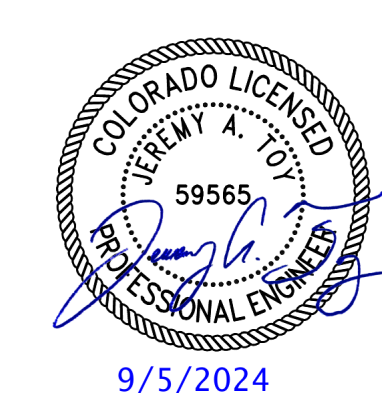
PROJECT TITLE  
**KING SOOPERS  
KS154**

HWY 52 & COLORADO BLVD  
FREDERICK, CO 80643

COMMISSION NO. 522401  
ISSUE DATE 10/17/23  
SHEET TITLE  
**HVAC ROOF PLAN - LEFT**

SHEET NO.  
**M1.2a**

© 2022 Cole-Russell Architects, Inc.



CHICAGO • CINCINNATI • DALLAS  
DENVER • DETROIT • SEATTLE

800.469.4949  
www.crarchitects.com

CONSULTANTS

MECHANICAL/ELECTRICAL ENGINEERS  
WWW.ALHENGERS.COM  
LEXINGTON, KENTUCKY  
LOUISVILLE, KENTUCKY  
COLUMBUS, OHIO

KLH ENGINEERS  
KOHRS, LONNEMANN, HELL, ENGINEERS, INC.  
1138 ALEXANDRIA PIKE, SUITE 111  
FT. THOMAS, KENTUCKY 41075  
859.442.8058 FAX  
859.442.8058 FAX

OWNER



ISSUE/REVISION

DATE	DESCRIPTION
08/31/2023	90% OWNER REVIEW
10/17/2023	BID/PERMIT ISSUE
6 07/31/2024	BULLETIN NO. 4
7 08/23/2024	BULLETIN NO. 5

PROJECT TITLE  
KING SOOPERS  
KS154

HWY 52 & COLORADO BLVD  
FREDERICK, CO 80643

COMMISSION NO. 522401  
ISSUE DATE 10/17/23

SHEET TITLE

PREMISE ALARM - RIGHT

SHEET NO.

ET1.2b

© 2022 Cole+Russell Architects, Inc.

**KEYED NOTES**

ES1A PROVIDE JUNCTION BOX FOR PREMISE ALARM AT ALARMED EXIT DOOR AS INDICATED ON DETAIL ESD-22 ON ES-SERIES DRAWINGS. PROVIDE (1) 1/2" EMPTY CONDUIT FROM JUNCTION BOX UP TO 4" X 4" JUNCTION BOX IN JOIST SPACE. COORDINATE LOCATION WITH DECOR ELEMENTS AT ALL DOORS IN SALES & VESTIBULE AREAS. PROVIDE CONNECTION TO AUTOMATICALLY UNLATCH THE LOCK INSTANTLY IN THE EVENT OF A FIRE EMERGENCY OR LOSS OF POWER. SEE FIRE ALARM AND SECURITY SPEC SECTION FOR MORE DETAIL. REFER TO DETAILS 12, ESD-22 (ES.1.2), 12\_ESD-22A.

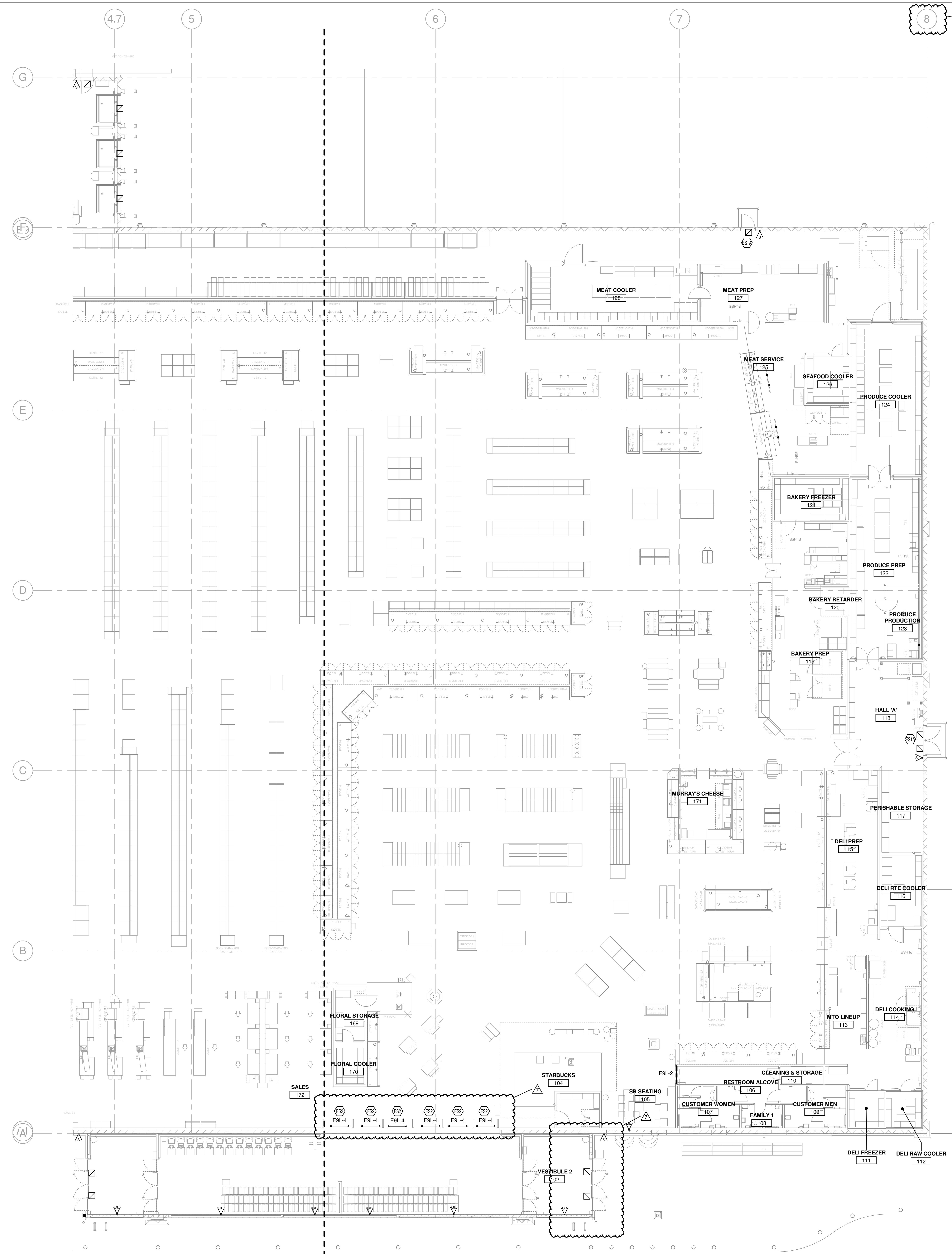
ES2 PROVIDE (1) 1" EMPTY CONDUIT BENEATH FLOOR SLAB FOR INTERCONNECTION OF THEIR DETECTION SECURITY EQUIPMENT COMPONENTS. PROVIDE (1) 3/4" EMPTY CONDUIT FROM FIRST (WALL) LOCATION (LOCAL CONTROLLER UP TO JOIST SPACE. PROVIDE (1) 1/2" EMPTY CONDUIT FROM WALL MOUNTED CONTROLLER TO LOCAL FLUSH WALL MOUNTED CONTROL INTERFACE KEYPAD. PROVIDE (1) 3/4" CONDUIT FROM CONTROLLER TO FIRST PEDESTAL AND (1) 1/2" EMPTY CONDUIT FROM FIRST PEDESTAL TO SECOND PEDESTAL. INSTALL CONDUITS BELOW SLAB WHERE APPLICABLE FOR CONCRETEMENT. LOCAL CONTROLLER SHALL BE INSTALLED ON VESTIBULE SIDE OF WALL (ABOVE CEILING AT LOCATIONS WITH ACCESSIBLE ACOUSTICAL TILE CEILINGS), OR AT 68" AT LOCATIONS WHERE THERE IS NO FINISHED CEILING. PROVIDE FLUSH WALL MOUNTED BACK BOXES FOR ALL APPLICABLE EQUIPMENT OUTLETS. FIELD COORDINATE ALL LOCATIONS AND SPECIFICS. SEE DETAIL ESD-52 AND ESD-52A ON ES-SERIES DRAWINGS. COORDINATE WORK WITH DECOR ELEMENTS AT ALL DOORS IN SALES & VESTIBULE AREAS.

**TECHNOLOGY LEGEND**

SYMBOL	DESCRIPTION
<b>SECURITY SYSTEMS</b>	
	CEILING MOTION SENSOR
	WALL INTRUSION DETECTION SYSTEM SIREN
	DOOR STATUS SENSOR

<b>ABBREVIATIONS</b>			
(R)	RELOCATE FIXTURE, EQUIPMENT OR DEVICE	OFI	OWNER FURNISHED EQUIPMENT
42"	DISTANCE ABOVE FINISHED FLOOR / GRADE / PAVEMENT	OPC	OWNER FURNISHED CONTRACTOR INSTALLED
ACC	ADMINISTRATIVE CONTROL CONSOLE	PBB	PRIMARY GROUNDING BUSBAR
ADA	AMERICANS WITH DISABILITIES ACT	PED	PEDESTAL
AFP	ABOVE FINISHED FLOOR	PLY	PLYWOOD BACKBOARD
AFG	ABOVE FINISHED GRADE	PM	PATIENT MONITOR
AVR	AUDIO VISUAL SYSTEM EQUIPMENT RACK	PS	PATIENT STATUS
BAS	BUILDING AUTOMATION SYSTEM	R	ROUGH-IN ONLY
BPC	BELOW FINISHED CEILING	SBB	SECONDARY GROUNDING BUSBAR
C	CONDUIT	SCL	SINGLE FACE CLOCK
CH	COUNTER HEIGHT OR SPECIAL HEIGHT DEVICE	SEC	SECURITY SYSTEM EQUIPMENT RACK
DCL	DOUBLE FACE CLOCK	SER	STRUCTURED MEDIA ENCLOSURE
DS	DIGITAL STORAGE	SME	SOUND SYSTEM EQUIPMENT RACK
DVR	DIGITAL VIDEO RECORDER	TAAC	TO ABOVE ACCESSIBLE CEILING
EC	ELECTRICAL CONTRACTOR	TAHC	TO ABOVE ACCESSIBLE HALLWAY CEILING
EF	ENTRANCE FACILITY	TR	TELECOMMUNICATIONS ROOM
ELEV	ELEVATOR	WP	WEATHERPROOF
EQR	EQUIPMENT MEDICAL RECORDS	WG	WIRE GUARD
ER	EQUIPMENT RACK		
ETR	EQUIPMENT ROOM		
EX	EXISTING TO REMAIN		
FACP	FIRE ALARM CONTROL PANEL		

<b>PLAN-VIEW LINE TYPES</b>	
	WORK SHOWN BOLD-CONTINUOUS INDICATES NEW WORK (UNLESS INDICATED OTHERWISE)
	WORK SHOWN FADED INDICATES EXISTING WORK TO REMAIN OR NEW WORK BY OTHERS AS APPLICABLE (UNLESS INDICATED OTHERWISE)

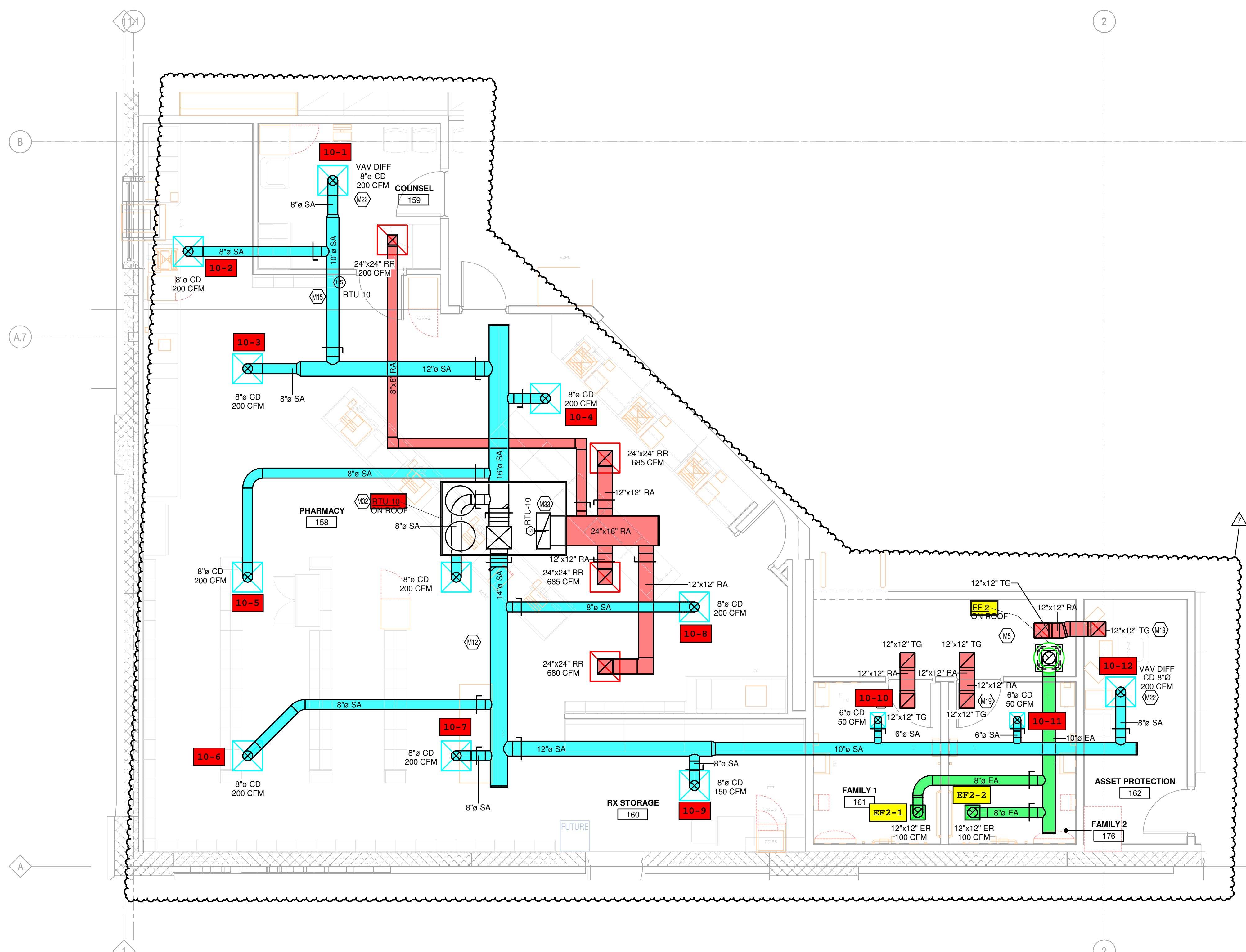


1 PREMISE ALARM - RIGHT  
3/32" = 1'-0"

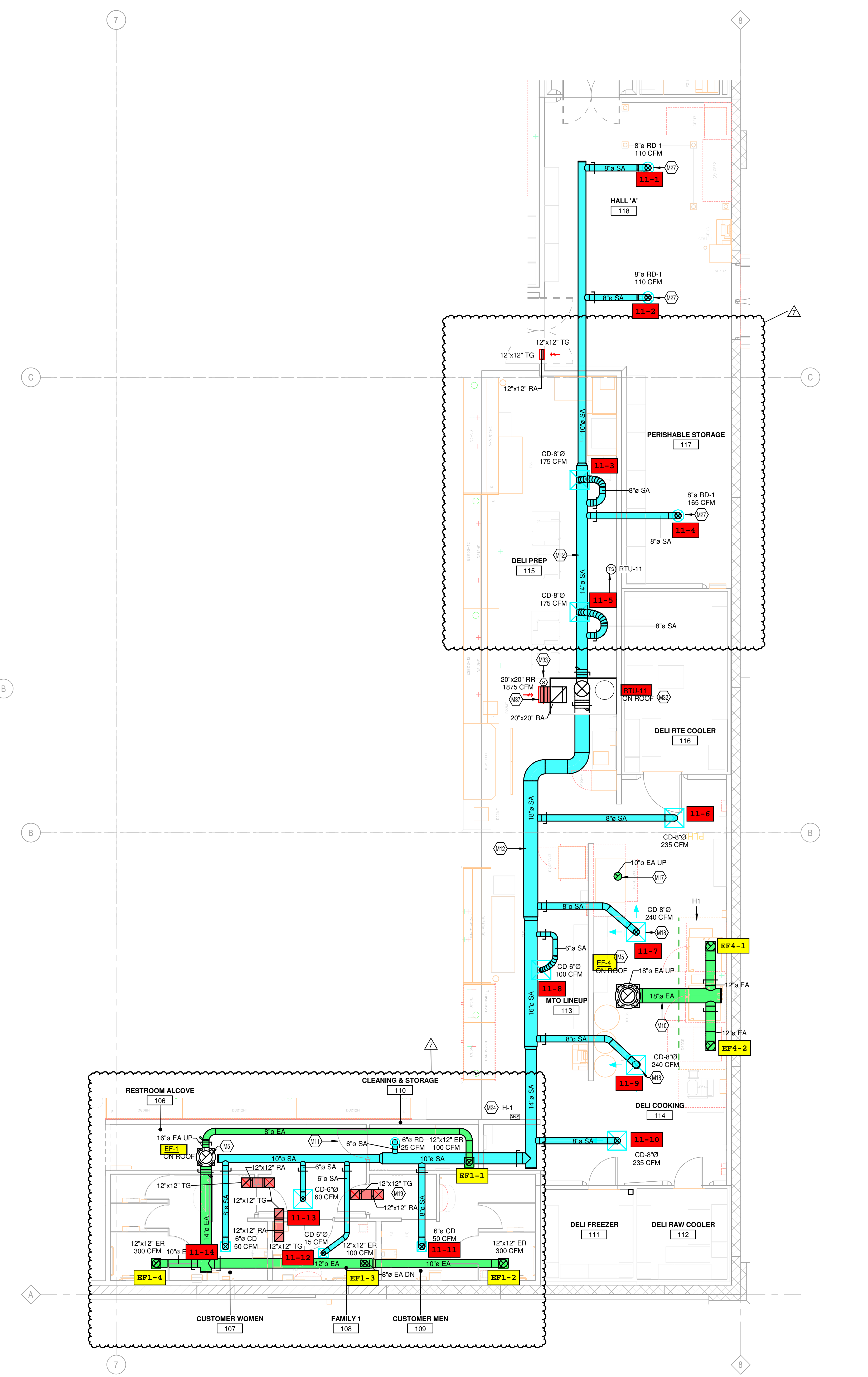
THIS DOCUMENT IS THE PROPERTY OF COLE+RUSSELL ARCHITECTS, INC. WITHIN THE DOCUMENT FOR THE INFORMATION CONTAINED HEREIN, THE ARCHITECT ASSUMES NO LIABILITY FOR ANY ERRORS OR OMISSIONS. THE ARCHITECT'S RESPONSIBILITY IS LIMITED TO THE DESIGN AND CONSTRUCTION OF THE PROJECT AS SHOWN ON THESE PLANS. THE ARCHITECT DOES NOT WARRANT THE ACCURACY OF ANY INFORMATION PROVIDED BY OTHERS. THE ARCHITECT'S LIABILITY IS LIMITED TO THE DESIGN AND CONSTRUCTION OF THE PROJECT AS SHOWN ON THESE PLANS. THE ARCHITECT DOES NOT WARRANT THE ACCURACY OF ANY INFORMATION PROVIDED BY OTHERS.

**KEYED NOTES**

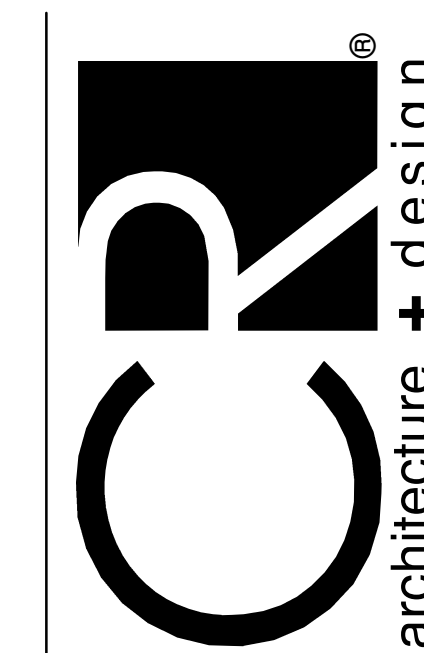
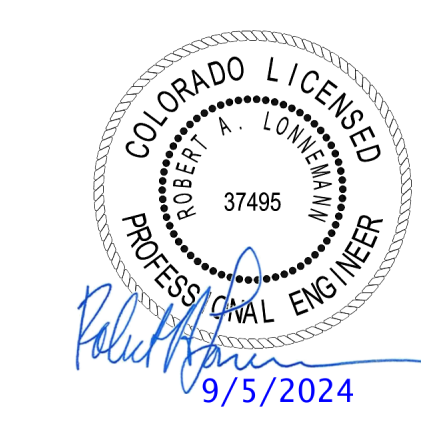
- M5 DUCT UP TO OPENING THROUGH ROOF CAPPED WITH CURB AND KROGER FURNISHED EXHAUST FAN.
- M10 GREASE DUCT FROM EXHAUST HOOD TO OPENING THROUGH ROOF PER NFPA 96. MECHANICAL CONTRACTOR TO INSTALL PROVIDED HINGE KIT. DUCTWRAP IS TO RUN THE ENTIRE LENGTH OF GREASE DUCT FROM CEILING PENETRATION TO FAN. REFER TO HSD-4 AND HSD-4B ON M5.1, AND BOTH 233813.00-04 AND 233813.00-02 ON M5.2 FOR ADDITIONAL INFORMATION.
- M11 UNDERCUT DOOR 1" TO ALLOW FOR RETURN AIRFLOW.
- M12 ROUTE SUPPLY AND RETURN DUCTWORK ROUGHLY 2" ABOVE THE CEILING FOR EASE OF FUTURE ACCESS. CONFIRM FINAL HEIGHT WITH OWNER.
- M14 TEMPERATURE SENSOR FOR RTU FURNISHED BY ORIGINAL EQUIPMENT MANUFACTURER. ROUTE CONTROL WIRING THROUGH RTU AND BACK TO BUILDING CONTROL PANEL.
- M15 COMBINATION TEMPERATURE/RELATIVE HUMIDITY SENSOR FOR RTU FURNISHED BY ORIGINAL EQUIPMENT MANUFACTURER. ROUTE CONTROL WIRING THROUGH RTU AND BACK TO BUILDING CONTROL PANEL.
- M17 LW-50 VENT KIT INCLUDED WITH UNIT AND SUPPLIED BY HOBART. VENT KIT AUTOMATICALLY REMOVES STEAM CONDENSATION AT THE COMPLETION OF THE WAREWASH CYCLE. WAREWASH DOOR WILL NOT OPEN UNTIL THIS PROCESS IS COMPLETED. MECHANICAL CONTRACTOR TO CONNECT STAINLESS STEEL DUCT TO THE VENT KIT OPENING THROUGH ROOF. REFER TO HSD-8 FOR ADDITIONAL INFORMATION.
- M18 DIFFUSER AROUND HOOD TO BE A 2-WAY DIFFUSER FACING AWAY FROM THE HOOD TO PREVENT INTERFERENCE WITH THE HOOD'S CONTAIN AND CAPTURE.
- M19 INSTALL TRANSFER GRILLES IN WALL USING NOTES FROM DETAIL 233713.00-19 ON M5.2. CONFIRM FINAL LOCATION AND FINISH WITH ARCHITECT AND OWNER.
- M22 MECHANICAL CONTRACTOR TO PROVIDE VAV DIFFUSER, ACCUTHERM THERMA-FUSE MODEL TF-HC OR APPROVED EQUAL.
- M24 HOOD ANSUL PULL STATION LOCATION, COORDINATE FINAL LOCATION WITH ELECTRICAL PLANS. PROVIDE NAMEPLATE AT STATION WITH HOOD NUMBER AND LOCATIONS. REFERENCE HSD-4A FOR ADDITIONAL INFORMATION.
- M27 MOUNT GRILLE/REGISTER 10" AFF.
- M32 ROOFTOP UNIT FURNISHED BY KROGER AND INSTALLED BY MECHANICAL CONTRACTOR. BALANCE TO SCHEDULED AIRFLOW. REFER TO ARCHITECTURAL ROOF PLAN FOR HVAC ROOFTOP DIMENSIONAL INFORMATION. REFER TO STRUCTURAL DRAWINGS FOR JOIST AND BEAM LOCATIONS AND DIMENSIONAL INFORMATION. REFER TO HSD-10 FOR INFORMATION REGARDING BRACING FOR WIND RESISTANCE.
- M33 DUCT MOUNTED SMOKE DETECTOR TO BE INSTALLED IN THE RETURN DUCTWORK, DOWNSTREAM OF FILTERS AND UPSTREAM OF ANY BRANCH CONNECTIONS. INSTALL SAMPLING TUBES AND DETECTOR HOUSING IN STRICT ACCORDANCE WITH MANUFACTURER'S INSTALLATION INSTRUCTIONS. DETECTOR, FAN SHUTDOWN WIRING, AND CONTROLS BY OTHERS.
- M37 INSTALL TOP OF RETURN GRILLE 15" AFF IN SOFFIT. COORDINATE FINAL LOCATION WITH ARCHITECT AND WITH DECOR. LOCATION OF DECOR TAKES PRECEDENCE OVER LOCATION OF RETURN GRILLE.



3 HVAC ENLARGED PLAN - PHARMACY  
1/4" = 1'-0"



1 HVAC ENLARGED PLAN - DELI  
3/16" = 1'-0"



CHICAGO + CINCINNATI + DALLAS  
DENVER + DETROIT + SEATTLE  
800.469.4949  
www.crarchitects.com

CONSULTANTS  
MECHANICAL/ELECTRICAL ENGINEERS  
WWW.KLHEENGINEERS.COM  
LEXINGTON, KENTUCKY  
LOUISVILLE, KENTUCKY  
COLUMBUS, OHIO

**KLH ENGINEERS**  
KOHRS LONNEMANN HEIL ENGINEERS, INC.  
1538 ALEXANDRIA PIKE, SUITE 111  
FT. THOMAS, KENTUCKY 41075  
909.442.8600  
909.442.8028 FAX



DATE	DESCRIPTION
08/31/2023	90% OWNER REVIEW
10/17/2023	BID/PERMIT ISSUE
7 08/23/2024	BULLETIN NO. 5

PROJECT TITLE  
**KING SOOPERS  
KS154**

HWY 52 & COLORADO BLVD  
FREDERICK, CO 80643  
COMMISSION NO. 522401  
ISSUE DATE 10/17/23

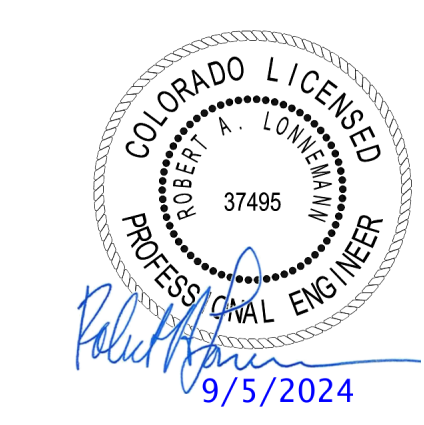
SHEET TITLE  
**HVAC ENLARGED  
PLANS**

SHEET NO.  
**M1.3**

© 2022 Cole+Russell Architects, Inc.

**KEYED NOTES**

- M2 THERMOSTAT TO BE MOUNTED AT 4'0" AFF. PROVIDE LOCKABLE PROTECTIVE COVER OVER DEVICE.
- M5 DUCT UP TO OPENING THROUGH ROOF CAPPED WITH CURB AND KROGER FURNISHED EXHAUST FAN.
- M6 DUCT UP TO OPENING THRU ROOF. CONTRACTOR TO PROVIDE REVERSE ACTING THERMOSTAT FOR FAN. FAN TO ENERGIZE WHEN ROOM REACHES 80 DEG F.
- M9 B'VENT DUCT UP FROM RACK OVEN VENT COLLAR THROUGH ROOF. DUCTS ARE ONLY TO OFFSET ABOVE ACT TILES. DUCTS ARE TO BE RUN STRAIGHT AND VERTICAL WHEN VISIBLE TO SALES FLOOR. REFER TO DETAIL HSD-7 FOR ADDITIONAL INFORMATION.
- M12 ROUTE SUPPLY AND RETURN DUCTWORK ROUGHLY 2'0" ABOVE THE CEILING FOR EASE OF FUTURE ACCESS. CONFIRM FINAL HEIGHT WITH OWNER.
- M14 TEMPERATURE SENSOR FOR RTU FURNISHED BY ORIGINAL EQUIPMENT MANUFACTURER. ROUTE CONTROL WIRING THROUGH RTU AND BACK TO BUILDING CONTROL PANEL.
- M19 INSTALL TRANSFER GRILLES IN WALL USING NOTES FROM DETAIL 232713-00-19 ON MS.2. CONFIRM FINAL LOCATION AND FINISH WITH ARCHITECT AND OWNER.
- M22 MECHANICAL CONTRACTOR TO PROVIDE VAV DIFFUSER, ACCUTERM THERMA-FUSE MODEL TF-HC OR APPROVED EQUAL.
- M23 KROGER FURNISHED SPLIT SYSTEM PROVIDED WITH LOW AMBIENT KIT AND WIND BAFFLES. MOUNT PER MANUFACTURER'S RECOMMENDATIONS. INDOOR UNIT DS-1 TO BE MOUNTED A MINIMUM OF 7'-0" AFF TO BOTTOM OF UNIT. ROUTE REFRIGERANT LINES THROUGH ROOF TO CONDENSING UNIT PER MANUFACTURER'S GUIDELINES. ROUTE INSULATED 3/4" CONDENSATE TO HUB DRAIN IN AREA. COORDINATE ORDERING OF REFRIGERANT LINES WITH OWNER'S PROJECT MANAGER. REFERENCE HSD-11 FOR ADDITIONAL INFORMATION.
- M32 ROOFTOP UNIT FURNISHED BY KROGER AND INSTALLED BY MECHANICAL CONTRACTOR. BALANCE TO SCHEDULED AIRFLOW. REFER TO ARCHITECTURAL ROOF PLAN FOR HVAC ROOFTOP DIMENSIONAL INFORMATION. REFER TO STRUCTURAL DRAWINGS FOR JOIST AND BEAM LOCATIONS AND DIMENSIONAL INFORMATION. REFER TO HSD-10 FOR INFORMATION REGARDING BRACING FOR WIND RESISTANCE.
- M33 DUCT MOUNTED SMOKE DETECTOR TO BE INSTALLED IN THE RETURN DUCTWORK, DOWNSTREAM OF FILTERS AND UPSTREAM OF ANY BRANCH CONNECTIONS. INSTALL SAMPLING TUBES AND DETECTOR HOUSING IN STRICT ACCORDANCE WITH MANUFACTURER'S INSTALLATION INSTRUCTIONS. DETECTOR, FAN SHUTDOWN WIRING, AND CONTROLS BY OTHERS.



CHICAGO • CINCINNATI • DALLAS  
DENVER • DETROIT • SEATTLE  
800.469.4949  
www.crarchitects.com

**CONSULTANTS**

MECHANICAL/ELECTRICAL ENGINEERS  
WWW.ALHENGERS.COM  
LEWINGTON, KENTUCKY  
LOUISVILLE, KENTUCKY  
COLUMBUS, OHIO

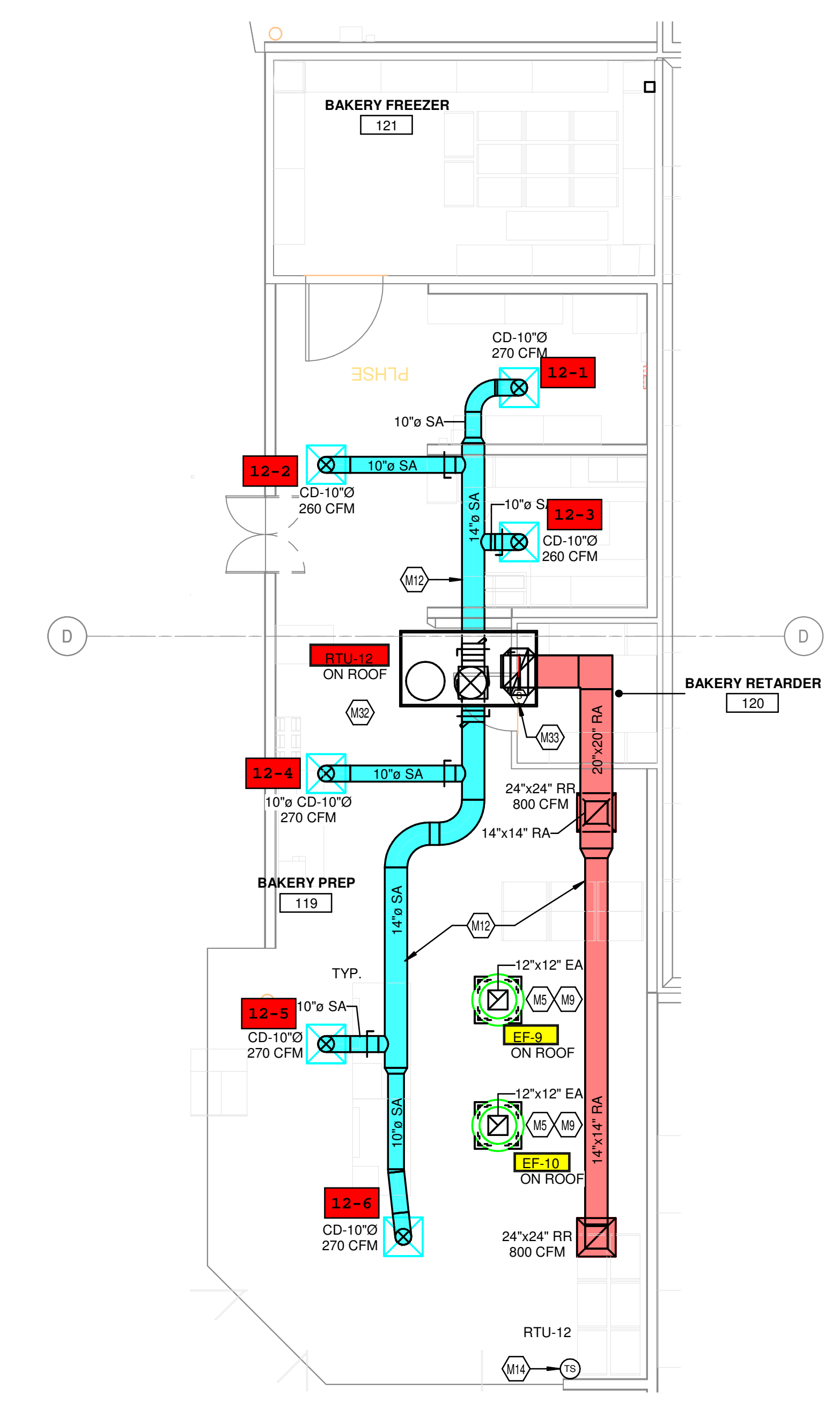
**KLH ENGINEERS**  
KOHRS, LONNEMANN HEIL ENGINEERS, INC.  
1538 ALEXANDRIA PIKE, SUITE 111  
FT. THOMAS, KENTUCKY 41075  
859-442-8058 FAX

**OWNER**

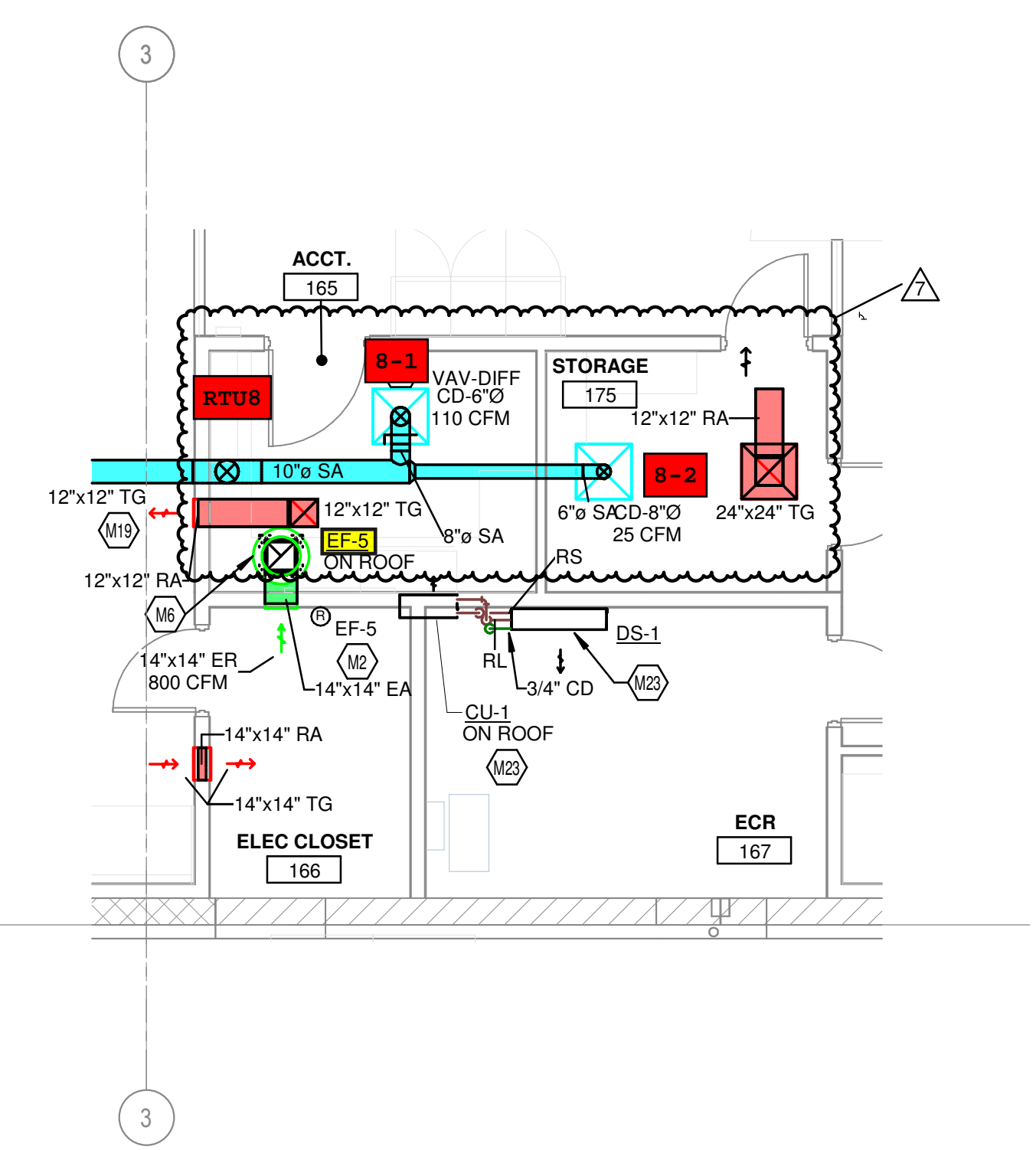


**ISSUE/REVISION**

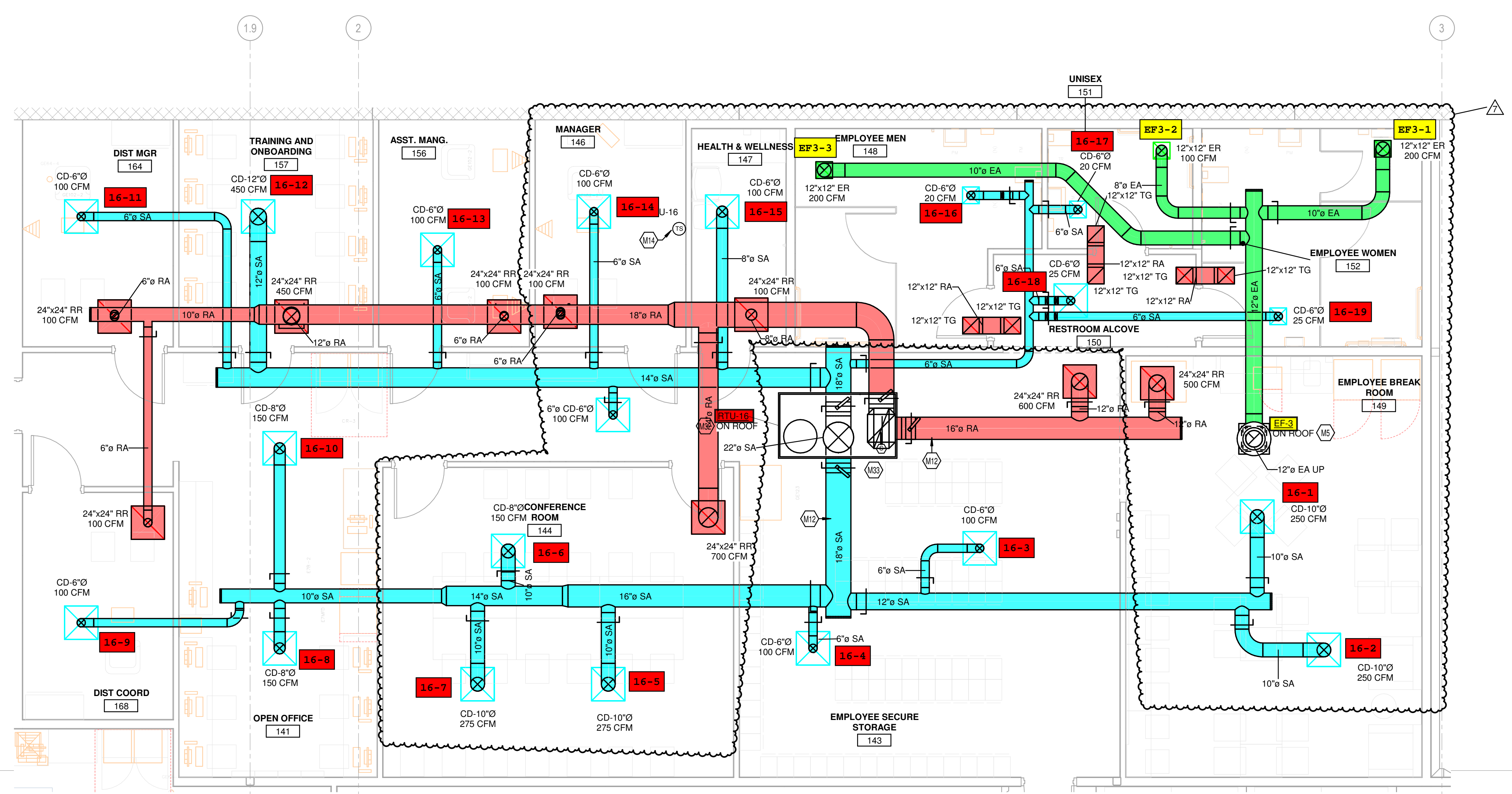
DATE	DESCRIPTION
08/31/2023	90% OWNER REVIEW
10/17/2023	BID/PERMIT ISSUE
1 01/11/2024	ADDENDUM NO. 2
7 08/23/2024	BULLETIN NO. 5



② HVAC ENLARGED PLAN - BAKERY  
3/16" = 1'-0"



① HVAC ENLARGED PLAN - CUSTOMER SERVICE  
3/16" = 1'-0"



③ HVAC ENLARGED PLAN - BACK OFFICES  
1/4" = 1'-0"

THIS DOCUMENT IS THE PROPERTY OF COLE-RUSSELL ARCHITECTS, INC. WITHIN THE DOCUMENT FOR THE INFORMATION CONTAINED HEREIN, NO PART OF THIS DOCUMENT IS TO BE REPRODUCED OR TRANSMITTED IN ANY FORM OR BY ANY MEANS, ELECTRONIC OR MECHANICAL, INCLUDING PHOTOCOPYING, RECORDING, OR BY ANY INFORMATION STORAGE AND RETRIEVAL SYSTEM, WITHOUT THE WRITTEN PERMISSION OF COLE-RUSSELL ARCHITECTS, INC.

PROJECT TITLE  
**KING SOOPERS  
KS154**

HWY 52 & COLORADO BLVD  
FREDERICK, CO 80643  
COMMISSION NO. 522401  
ISSUE DATE 10/17/23

SHEET TITLE  
**HVAC ENLARGED  
PLANS**

SHEET NO.  
**M1.4**

© 2022 Cole-Russell Architects, Inc.

**HOOD INFORMATION - JOB#6181964**

HOOD NO	TAG	MODEL	MANUFACTURER	LENGTH	MAX COOKING TEMP	TYPE	APPLIANCE DUTY	DESIGN CFM/FT	TOTAL EXH CFM	EXHAUST FLENUM (RISERS)				HOOD CONSTRUCTION	HOOD CONFIG			
										WIDTH	LENG	HEIGHT	DIA		CFM	VEL	SP	END TO END
1	KIL - K-0002317	6024 ND-2	CAPTIVEAIRE	8' 0"	450 DEG	I	MEDIUM	150	1200		4'	12"	1200	1528	-0.294"	304 SS WHERE EXPOSED	LEFT	ALINE
2	KIR - K-0002317	6024 ND-2	CAPTIVEAIRE	8' 0"	450 DEG	I	MEDIUM	150	1200		4'	12"	1200	1528	-0.294"	304 SS WHERE EXPOSED	RIGHT	ALINE

**HOOD INFORMATION**

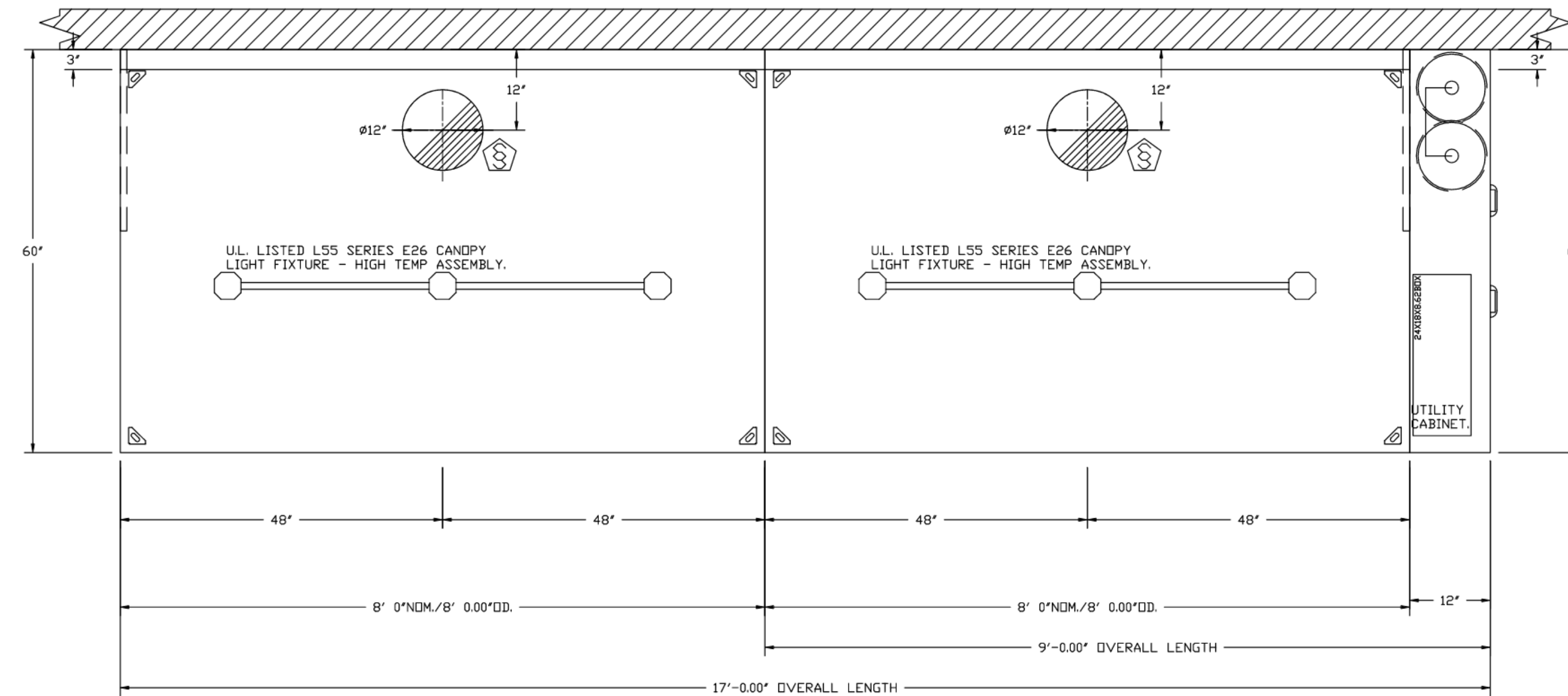
HOOD NO	TAG	TYPE	FILTER(S)			LIGHT(S)			WIRE GUARD	LOCATION	SIZE	UTILITY CABINET(S)		FIRE SYSTEM	ELECTRICAL	SWITCHES	FIRE SYSTEM PIPING	HOOD HANGING WEIGHT
			QTY	HEIGHT	LENGTH	EFFICIENCY @ 7 MICRONS	QTY	TYPE				TYPE	SIZE					
1	KIL - K-0002317	SS BAFFLE WITH HANDLES	5	16"	16"	30%	3	L55 SERIES E26	ND								YES	418 LBS
2	KIR - K-0002317	SS BAFFLE WITH HANDLES	5	16"	16"	30%	3	L55 SERIES E26	ND	RIGHT	12"x60"x24"	TANK FS	4.0/4.0	SC-310110MA	1 LIGHT 1 FAN		YES	742 LBS

**HOOD OPTIONS**

HOOD NO	TAG	OPTION
1	KIL - K-0002317	FIELD WRAPPER 17.00" HIGH FRONT, LEFT. LEFT VERTICAL END PANEL 27" TOP WIDTH, 21" BOTTOM WIDTH, 80" HIGH INSULATED 304 SS. SENSOR-CV.
2	KIR - K-0002317	FIELD WRAPPER 17.00" HIGH FRONT, LEFT. RIGHT VERTICAL END PANEL 27" TOP WIDTH, 21" BOTTOM WIDTH, 80" HIGH INSULATED 304 SS. SENSOR-CV.

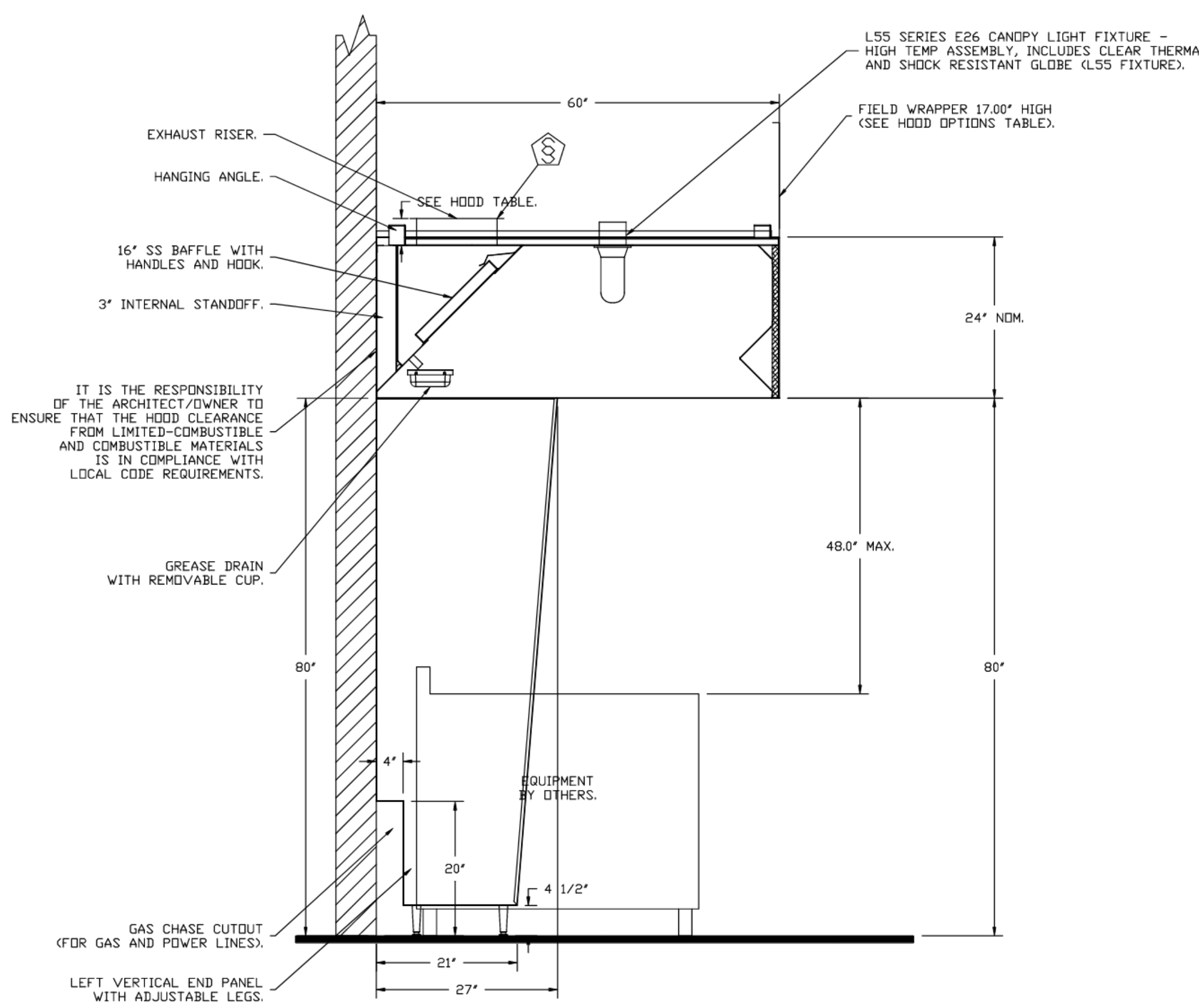
CAPTIVE-AIRE HOODS ARE BUILT IN COMPLIANCE WITH UL 710 AND NFPA 96 AND ARE RECOGNIZED BY ONE OR MORE OF THE FOLLOWING:  
  
ETL SANITATION LISTED  
ETL LISTED  
FILE# 102900319PRT-001

**HVAC DISTRIBUTION NOTE**  
IT IS RECOMMENDED NOT TO INSTALL HIGH VELOCITY DIFFUSERS OR HVAC RETURNS WITHIN TEN (10) FEET OF THE EXHAUST HOOD. PERFORATED DIFFUSERS ARE RECOMMENDED.

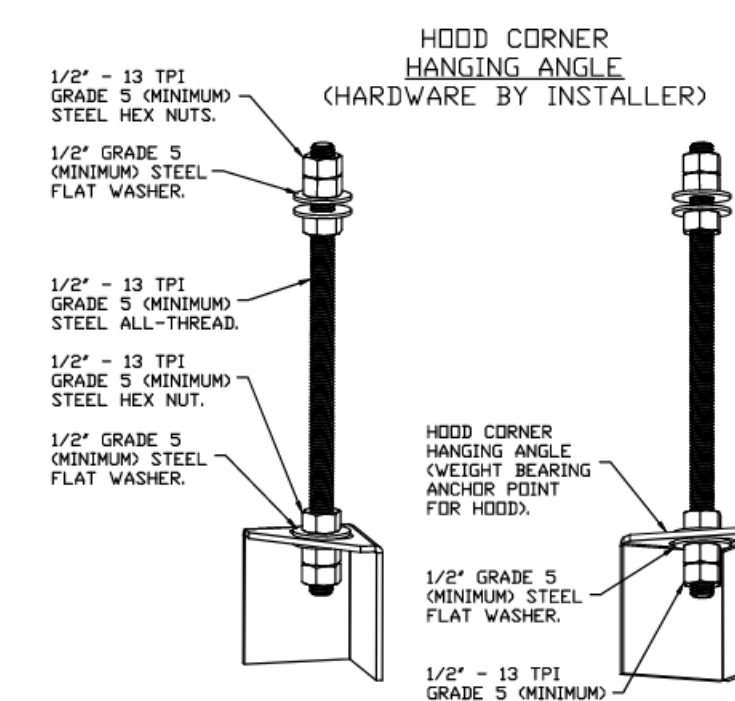


PLAN VIEW - HOOD #1 (KIL - K-0002317)  
8' 0.00" LONG 6024ND-2

PLAN VIEW - HOOD #2 (KIR - K-0002317)  
8' 0.00" LONG 6024ND-2



SECTION VIEW - MODEL 6024ND-2



**ASSEMBLY INSTRUCTIONS**

HANGING ANGLE MUST BE SUPPORTED WITH 1/2" - 13 TPI GRADE 5 (MINIMUM) ALL-THREAD. SANDWICH HANGING ANGLES AND CEILING ANCHOR POINTS WITH 1/2" GRADE 5 (MINIMUM) STEEL FLAT WASHERS AND 1/2" - 13 TPI GRADE 5 (MINIMUM) HEX NUTS AS SHOWN. MUST USE DOUBLED HEX NUT CONFIGURATION BENEATH HOOD HANGING ANGLES AND ABOVE CEILING ANCHORS. MAINTAIN 1/4" OF EXPOSED THREADS BENEATH BOTTOM HEX NUT. TORQUE ALL HEX NUTS TO 57 FT-LBS.

**REVISIONS**

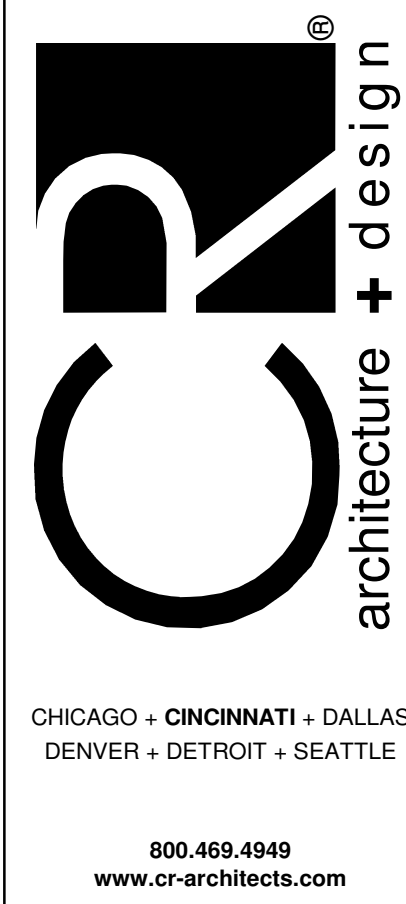
NO.	DESCRIPTION	DATE

**CAPTIVEAIRE**  
National Accounts  
4641 Paragon Park Rd., Raleigh, NC 27616 PHONE: (919) 852-2410 FAX: 9192275948 EMAIL: nra15@captivaire.com

KING SOOPERS #154 - FREDERICK, CO  
13TH + COLORADO BLVD,  
FREDERICK, CO, 80220

DATE: 8/23/2023  
DWG.#: 6181964  
DRAWN BY:  
SCALE: 3/4" = 1'-0"  
MASTER DRAWING

SHEET NO.  
1



MECHANICAL/ELECTRICAL ENGINEERS  
WWW.ALHENGERS.COM  
LEWINGTON, KENTUCKY  
LOUISVILLE, KENTUCKY  
COLUMBUS, OHIO  
  
KOHRS CONNEMANN HEIL ENGINEERS, INC.  
1138 ALEXANDRIA PIKE, SUITE 111  
FT. THOMAS, KENTUCKY 41075  
859-442-8958 FAX



ISSUE/REVISION  
DATE DESCRIPTION  
08/31/2023 90% OWNER REVIEW  
10/17/2023 BID/PERMIT ISSUE

PROJECT TITLE  
KING SOOPERS  
KS154  
  
HWY 52 & COLORADO BLVD  
FREDERICK, CO 80643  
COMMISSION NO. 522401  
ISSUE DATE 10/17/23  
SHEET TITLE  
HVAC SECTIONS  
AND DETAILS

SHEET NO.  
M3.1.1  
© 2022 Cole+Russell Architects, Inc.

THIS DOCUMENT IS THE PROPERTY OF COLE+RUSSELL ARCHITECTS, INC. WITHIN THE DOCUMENT FOR THE INFORMATION CONTAINED HEREIN, NO PART OF THIS DOCUMENT IS TO BE REPRODUCED OR TRANSMITTED IN ANY FORM OR BY ANY MEANS, ELECTRONIC OR MECHANICAL, INCLUDING PHOTOCOPYING, RECORDING, OR BY ANY INFORMATION STORAGE AND RETRIEVAL SYSTEM, WITHOUT THE WRITTEN PERMISSION OF COLE+RUSSELL ARCHITECTS, INC.

**FIRE SYSTEM INFORMATION - JOB#6181964**

FIRE SYSTEM NO	TAG	TYPE	SIZE	FLDW POINTS	INSTALLATION	
					SYSTEM	LOCATION ON HOOD
1		TANK FS	4.0/4.0	36	FIRE CABINET RIGHT	RIGHT, HOOD 2

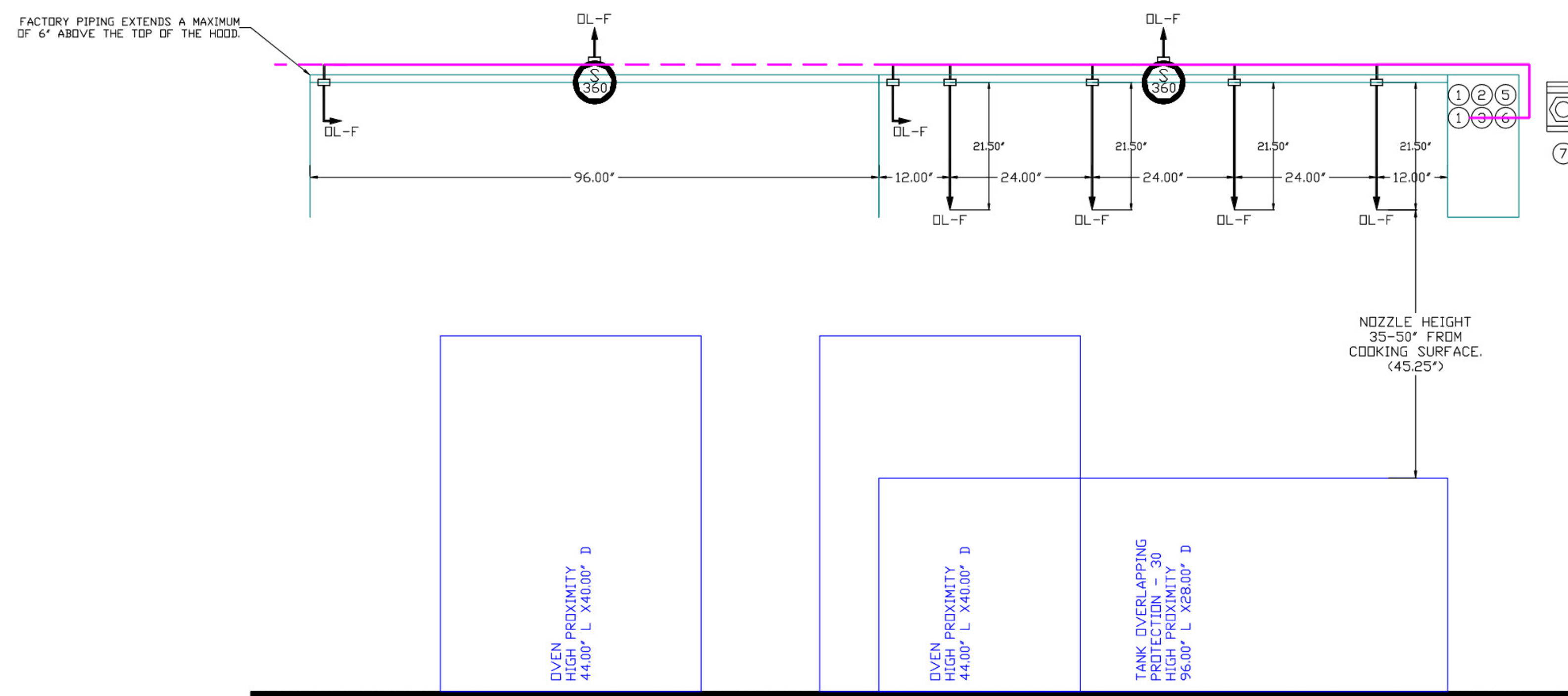
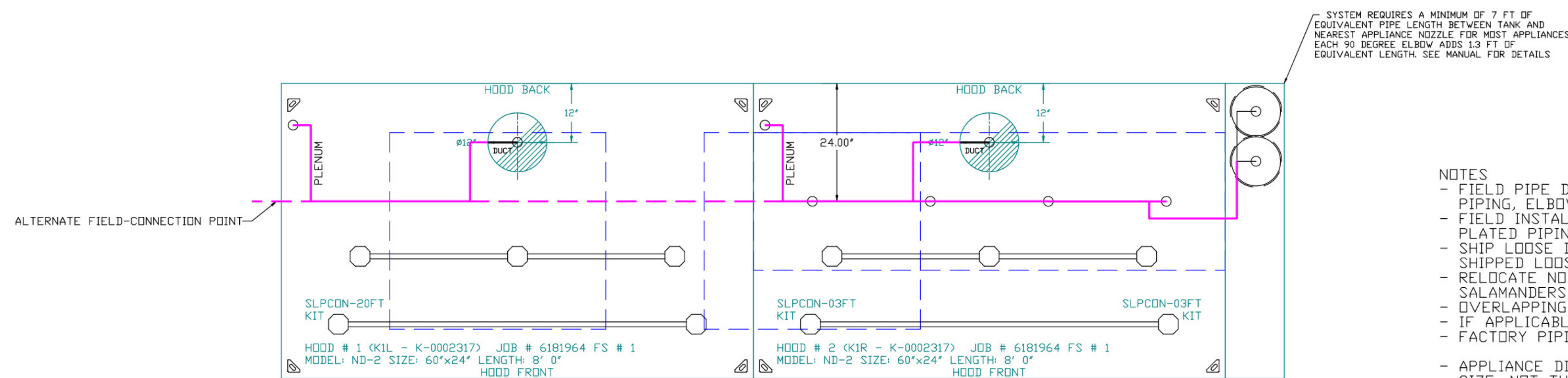
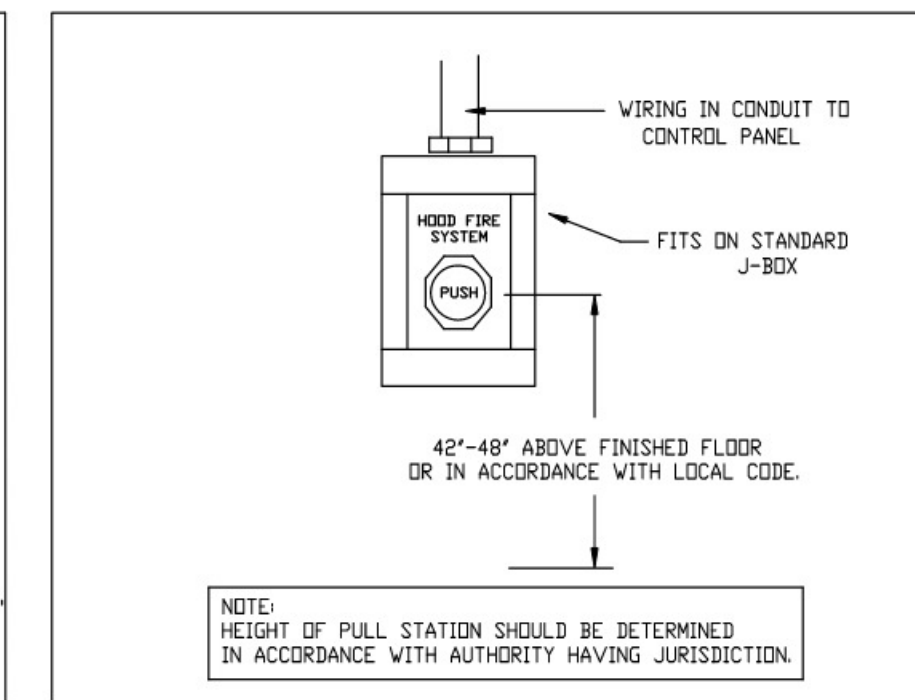
THE TANK WET CHEMICAL FIRE SUPPRESSION SYSTEM IS UL & ULC LISTED IN ACCORDANCE WITH UL300, UL1254, ULCORD-C1254.6 UNDER FILE# EX27953, ETL LISTED UNDER REPORT 10456027SSAT-003.

THE MICROPROCESSOR-BASED CONTROL BOARD IS ETL LISTED TO UL864 AND CAN/ULC-S527-11.

THE TANK WET CHEMICAL FIRE SUPPRESSION SYSTEM IS ACCEPTABLE FOR USE IN NEW YORK CITY, IS APPROVED PER FDNY CDA #5870.

MEETS THE REQUIREMENTS OF NFPA 96 AND NFPA 17A.

**TANK MANUAL ACTIVATION DETAIL**



**NOTES**

- FIELD PIPE DROPS AS SHOWN
- PIPING, ELBOWS, TEES, AND NOZZLES SUPPLIED BY CAS.
- FIELD INSTALLED DROP; FACTORY WILL PROVIDE QTY 2 60IN LONG PIECES OF CHROME PLATED PIPING SHIPPED LOOSE TO BE FIELD-INSTALLED.
- SHIP LOOSE DROP; FACTORY WILL PROVIDE THE EXACT CHROME PIPE LENGTH NEEDED SHIPPED LOOSE TO BE FIELD-INSTALLED.
- RELOCATE NOZZLES IF FLOW PATTERN IS BLOCKED BY SHELVING, SALAMANDERS, ETC.
- OVERLAPPING COVERAGE SHALL NOT BE USED ON ANY APPLIANCE WITH AN OBSTRUCTION.
- IF APPLICABLE, EXTENDED PRE-PIPED DROPS ARE SHIPPED LOOSE.
- FACTORY PIPING EXTENDED A MAXIMUM OF 6" ABOVE THE TOP OF THE HOOD.
- APPLIANCE DIMENSIONS LISTED REPRESENT THE COOKING SURFACE SIZE, NOT THE OVERALL APPLIANCE SIZE.

- THIS FIRE SYSTEM COMPLIES WITH UL 300 REQUIREMENTS.

- DL-F NOZZLE PART NUMBER REPLACES 3070-3/8H-10-SS

JOB # 6181964.

JOB NAME: KING SOOPERS 154 - FREDERICK, CO.

SYSTEM SIZE: TANK-SP-2 TOTAL FP REQUIRED: 36.

HOOD # 1 8'-0.00" LONG x 60" WIDE x 24" HIGH.

RISER # 1 SIZE: 12" DIA.

HOOD # 2 8'-0.00" LONG x 60" WIDE x 24" HIGH.

RISER # 1 SIZE: 12" DIA.

HOOD # 2 METAL BLOW-OFF CAPS INCLUDED.

- HEAVY-DUTY APPLIANCES (RATED 600°F) WILL REQUIRE AN ADDITIONAL DOWNSTREAM FIRESTAT IN THE EVENT THAT THE DUCTWORK CONTAINS ANY HORIZONTAL RUNS OVER 25 FT IN LENGTH.

- MEDIUM TO LIGHT-DUTY APPLIANCES (RATED 450°F) WILL NOT REQUIRE ANY ADDITIONAL DOWNSTREAM DETECTION.

**LEGEND - FIRE CABINET TANK SYSTEM**

- 4 GALLON TANK.
- PRIMARY ACTUATOR RELEASE.
- SECONDARY ACTUATOR RELEASE.
- PRESSURE SUPERVISION SWITCH.
- PRIMARY HOSE ASSEMBLY.
- SECONDARY HOSE ASSEMBLY.
- REMOTE MANUAL ACTIVATION DEVICE.

**REVISIONS**

NO.	DESCRIPTION	DATE

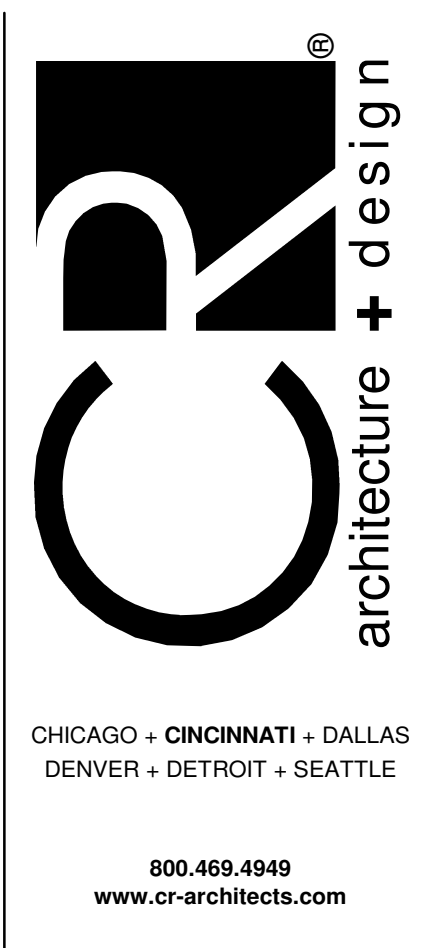
**CAPTIVE**

National Accounts  
4641 Paragon Park Rd., Raleigh, NC 27616 PHONE: (919) 852-2410 FAX: 9192275948 EMAIL: nrg15@captiveware.com

KING SOOPERS #154 - FREDERICK, CO  
13TH + COLORADO BLVD,  
FREDERICK, CO, 80220

DATE: 8/23/2023  
DWG.#: 6181964  
DRAWN BY:  
SCALE: 3/4" = 1'-0"  
MASTER DRAWING

SHEET NO. 2



CHICAGO • CINCINNATI • DALLAS  
DENVER • DETROIT • SEATTLE  
800.469.4949  
www.crarchitects.com

MECHANICAL/ELECTRICAL  
ENGINEERS  
WWW.ALHENGERS.COM  
LEWINGTON, KENTUCKY  
LOUISVILLE, KENTUCKY  
COLUMBUS, OHIO



ISSUE/REVISION	DATE	DESCRIPTION

08/31/2023 90% OWNER REVIEW  
10/17/2023 BID PERMIT ISSUE

PROJECT TITLE  
KING SOOPERS  
KS154

HWY 52 & COLORADO BLVD  
FREDERICK, CO 80643  
COMMISSION NO. 522401  
ISSUE DATE 10/17/23  
SHEET TITLE  
HVAC SECTIONS  
AND DETAILS

SHEET NO.  
M3.1.2

THIS DOCUMENT IS THE PROPERTY OF COLLETT-RUSSELL ARCHITECTS, INC. WITHIN THE DOCUMENT FOR THE INFORMATION CONTAINED  
HEREIN, THE ARCHITECT ASSUMES NO LIABILITY FOR ANY ERRORS OR OMISSIONS. THE ARCHITECT'S LIABILITY IS LIMITED TO THE  
PROFESSIONAL SERVICES PROVIDED BY THE ARCHITECT. THE ARCHITECT'S LIABILITY IS LIMITED TO THE PROFESSIONAL SERVICES PROVIDED BY THE ARCHITECT.

**EXHAUST FAN INFORMATION - JOB#6181964**

FAN UNIT NO.	TAG	QTY	FAN UNIT MODEL #	MANUFACTURER	CFM	ESP	RPM	MOTOR ENCL.	HP	BHP	PHASE	VOLTS	FLA	DISCHARGE VELOCITY	WEIGHT (LBS)	SONES
1	EF-1 K-0002355	1	DR30HFA	CAPTIVEAIRE	700	0.500	1452	DDP	0.250	0.1460	1	115	3.8		64	10.1
2	EF-2 PNET42845	1	DR12HFA	CAPTIVEAIRE	200	0.400	1190	TEAD-ECM	0.250	0.0620	1	115	2.9		55	5.1
3	EF-3 K-0002355	1	DR30HFA	CAPTIVEAIRE	500	0.500	1253	DDP	0.250	0.0940	1	115	3.8		64	7.6
4	EF-4 K-0069365	1	DUI80HFA	CAPTIVEAIRE	2400	1.250	1179	DDP,PREMIUM	2.000	1.0360	3	208	6.1	554 FPM	164	14.5
5	EF-5 K-0002372	1	DR33HFA	CAPTIVEAIRE	800	0.400	1547	TEAD-ECM	0.333	0.2100	1	115	4.3	396 FPM	62	12.6
6	EF-6 K-0002357	1	DR12HFA	CAPTIVEAIRE	400	0.400	1394	DDP	0.180	0.0990	1	115	1.9		54	7.3
7	EF-7 K-0002355	1	DR30HFA	CAPTIVEAIRE	700	0.400	1378	DDP	0.250	0.1250	1	115	3.8		64	9.1
8	EF-8 K-0002358	1	DR10HFA	CAPTIVEAIRE	200	0.300	1342	DDP	0.060	0.0390	1	115	1.1		48	4.2
9	EF-9 K-0002372	1	DUI33HFA	CAPTIVEAIRE	600	0.500	1322	DDP	0.333	0.1180	1	115	5.6	297 FPM	79	12.1
10	EF-10 K-0002372	1	DUI33HFA	CAPTIVEAIRE	600	0.500	1322	DDP	0.333	0.1180	1	115	5.6	297 FPM	79	12.1

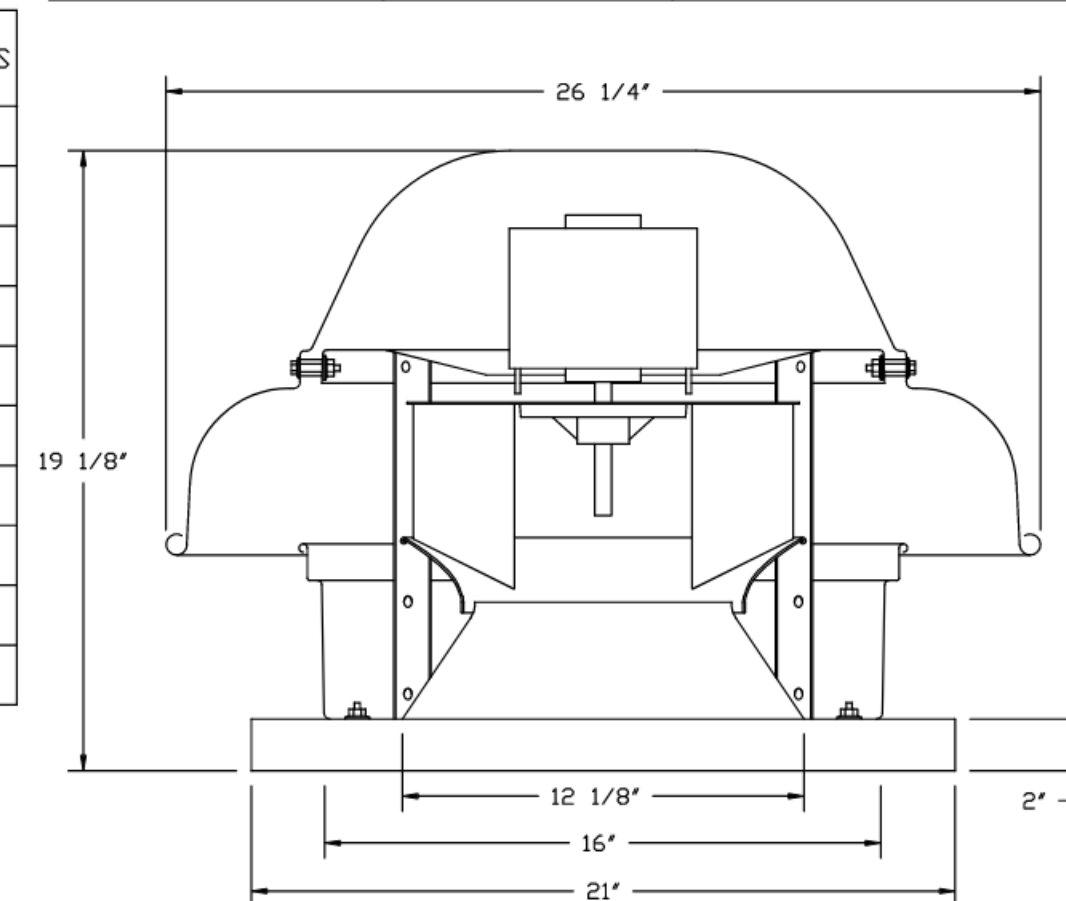
**FAN OPTIONS**

FAN UNIT NO.	TAG	QTY	DESCRIPTION
1	EF-1 K-0002355	1	HINGE KIT - SHIPS LOOSE FOR CURB SUPPLIED BY OTHERS
		1	1 15-BDD DAMPER
		1	2 YEAR PARTS WARRANTY
2	EF-2 PNET42845	1	HINGE KIT - SHIPS LOOSE FOR CURB SUPPLIED BY OTHERS
		1	ECM WIRING PACKAGE - MANUAL OR 0-10VDC REFERENCE SPEED CONTROL -RTC- (TELCD MOTOR), CCW ROTATION
		1	2 YEAR PARTS WARRANTY
3	EF-3 K-0002355	1	HINGE KIT - SHIPS LOOSE FOR CURB SUPPLIED BY OTHERS
		1	1 15-BDD DAMPER
		1	2 YEAR PARTS WARRANTY
4	EF-4 K-0069365	1	HINGE KIT - SHIPS LOOSE FOR CURB SUPPLIED BY OTHERS
		1	2 YEAR PARTS WARRANTY
		1	ECM WIRING PACKAGE - EXHAUST - MANUAL OR 0-10VDC REFERENCE SPEED CONTROL -MSC- (TELCD), CCW ROTATION
5	EF-5 K-0002372	1	HINGE KIT - SHIPS LOOSE FOR CURB SUPPLIED BY OTHERS
		1	1 15-BDD DAMPER
		1	2 YEAR PARTS WARRANTY
6	EF-6 K-0002357	1	HINGE KIT - SHIPS LOOSE FOR CURB SUPPLIED BY OTHERS
		1	2 YEAR PARTS WARRANTY
7	EF-7 K-0002355	1	HINGE KIT - SHIPS LOOSE FOR CURB SUPPLIED BY OTHERS
		1	1 15-BDD DAMPER
		1	2 YEAR PARTS WARRANTY
8	EF-8 K-0002358	1	HINGE KIT - SHIPS LOOSE FOR CURB SUPPLIED BY OTHERS
		1	2 YEAR PARTS WARRANTY
		1	GREASE BOX
9	EF-9 K-0002372	1	HINGE KIT - SHIPS LOOSE FOR CURB SUPPLIED BY OTHERS
		1	2 YEAR PARTS WARRANTY
		1	GREASE BOX
10	EF-10 K-0002372	1	HINGE KIT - SHIPS LOOSE FOR CURB SUPPLIED BY OTHERS
		1	2 YEAR PARTS WARRANTY

**FAN ACCESSORIES**

FAN UNIT NO.	TAG	EXHAUST			SUPPLY			
		GREASE CUP	GRAVITY DAMPER	WALL MOUNT	SIDE DISCHARGE	GRAVITY DAMPER	MOTORIZED DAMPER	WALL MOUNT
1	EF-1 K-0002355		YES					
2	EF-2 PNET42845		YES					
3	EF-3 K-0002355		YES					
4	EF-4 K-0069365	YES	YES					
5	EF-5 K-0002372		YES					
6	EF-6 K-0002357		YES					
7	EF-7 K-0002355		YES					
8	EF-8 K-0002358		YES					
9	EF-9 K-0002372	YES						
10	EF-10 K-0002372	YES						

FANS #1 (EF-1 K-0002355), #3 (EF-3 K-0002355), #7 (EF-7 K-0002355) - DR30HFA EXHAUST FAN



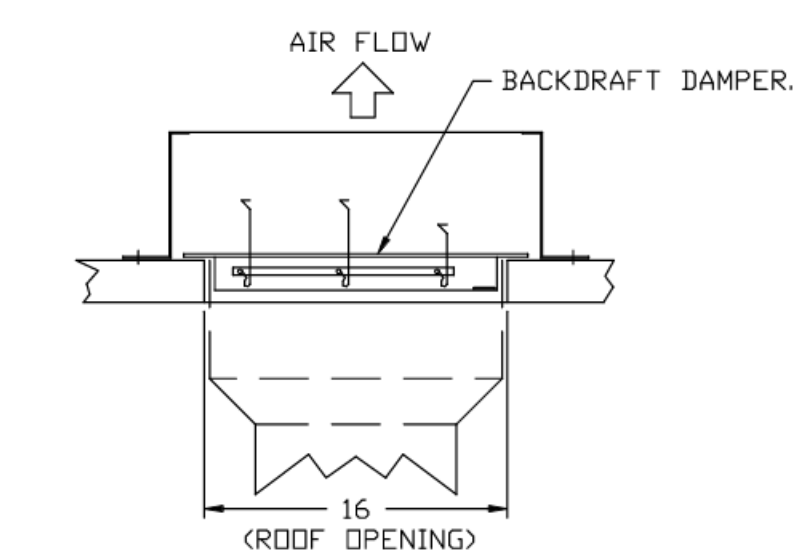
**FEATURES:**

- DIRECT DRIVE CONSTRUCTION (NO BELTS/PULLEYS)
- ROOF MOUNTED FANS.
- UL705.
- SAFETY DISCONNECT.
- STANDARD BIRD SCREEN.
- SPEED CONTROL.
- THERMAL OVERLOAD PROTECTION (SINGLE PHASE).

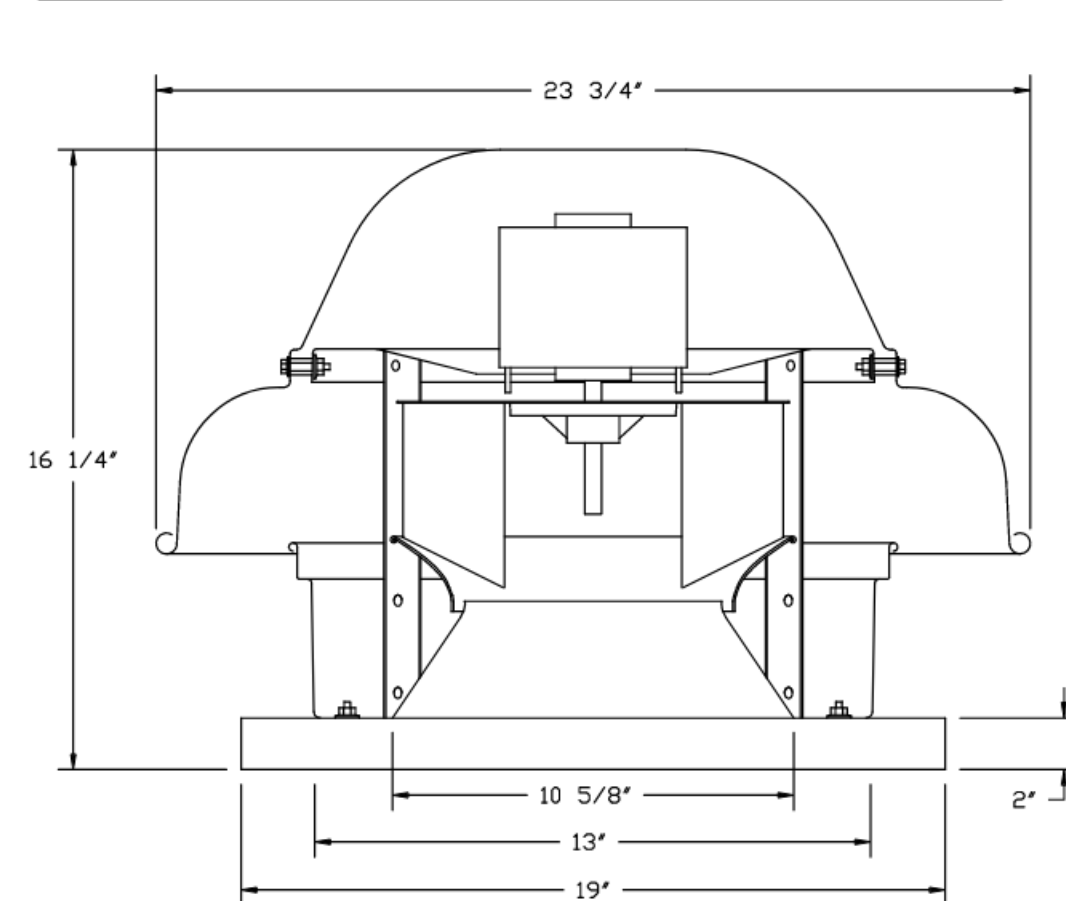
**OPTIONS**

- HINGE KIT - SHIPS LOOSE FOR CURB SUPPLIED BY OTHERS.
- 1 15-BDD DAMPER.
- 2 YEAR PARTS WARRANTY.

**BACKDRAFT DAMPER INSTALLATION**



FANS #2 (EF-2 PNET42845), #6 (EF-6 K-0002357) - DR12HFA EXHAUST FAN



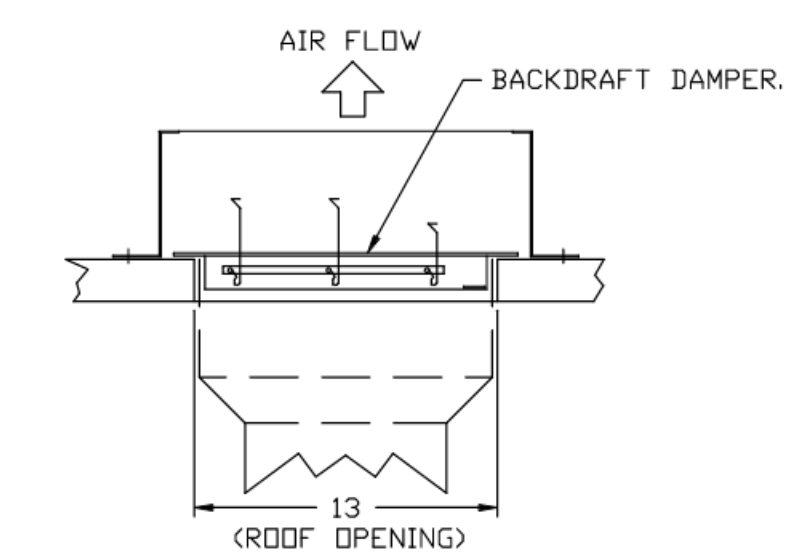
**FEATURES:**

- DIRECT DRIVE CONSTRUCTION (NO BELTS/PULLEYS)
- ROOF MOUNTED FANS.
- UL705.
- SAFETY DISCONNECT.
- STANDARD BIRD SCREEN.
- SPEED CONTROL.
- THERMAL OVERLOAD PROTECTION (SINGLE PHASE).

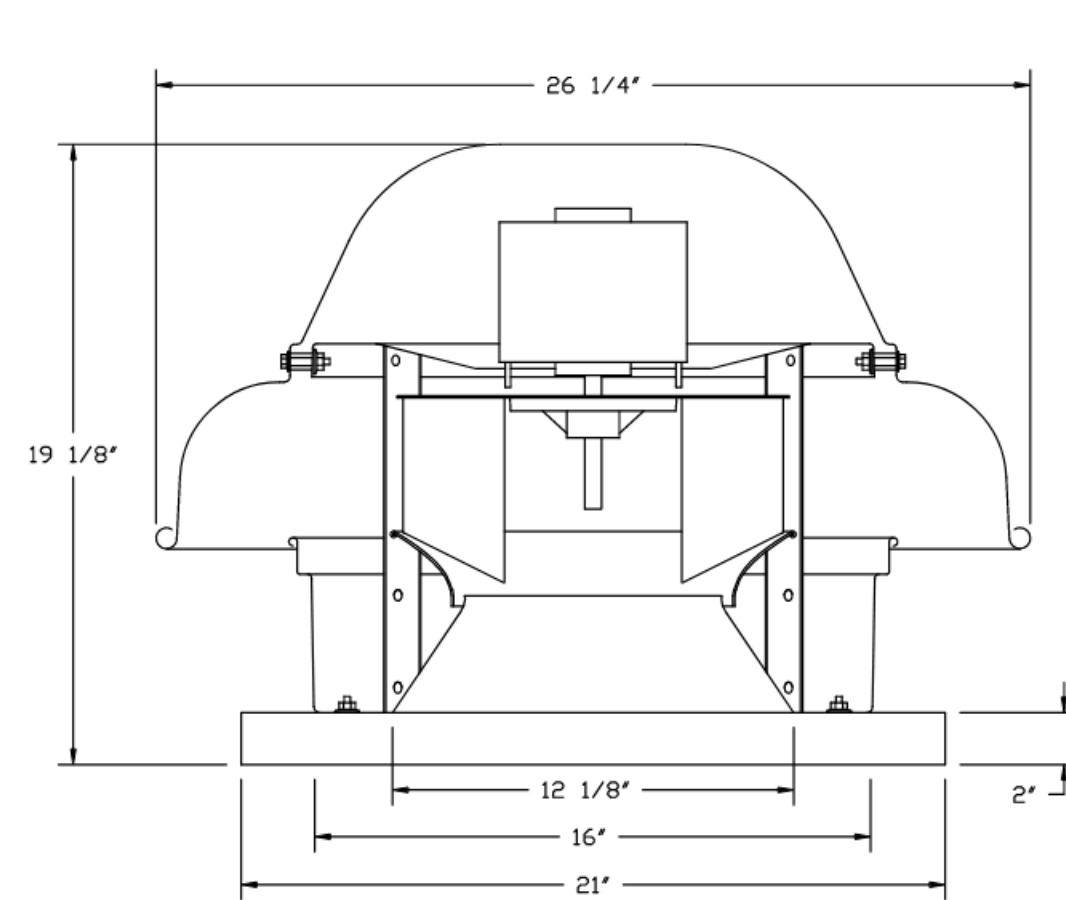
**OPTIONS**

- 1 12-BDD DAMPER
- HINGE KIT - SHIPS LOOSE FOR CURB SUPPLIED BY OTHERS
- ECM WIRING PACKAGE - MANUAL OR 0-10VDC REFERENCE SPEED CONTROL -RTC- (TELCD MOTOR), CCW ROTATION.
- 2 YEAR PARTS WARRANTY.

**BACKDRAFT DAMPER INSTALLATION**



FAN #5 (DUI33HFA) - EXHAUST FAN (EF-5 K-0002372)



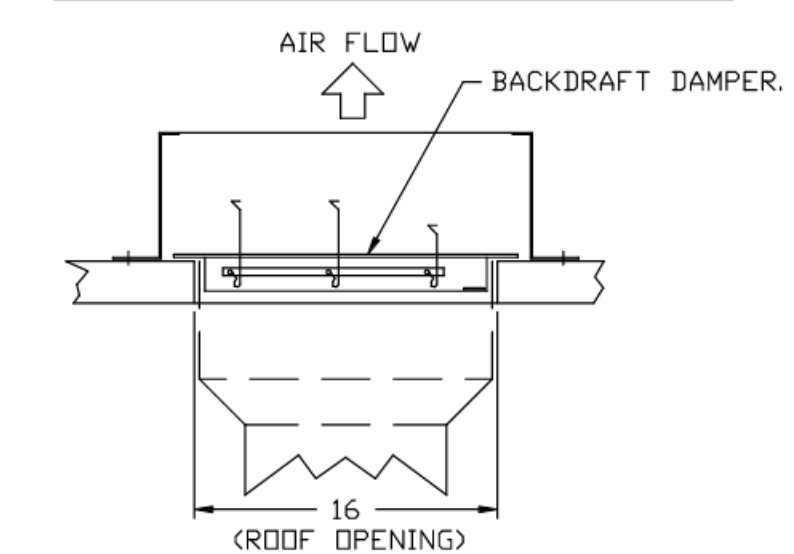
**FEATURES:**

- DIRECT DRIVE CONSTRUCTION (NO BELTS/PULLEYS)
- ROOF MOUNTED FANS.
- UL705.
- SAFETY DISCONNECT.
- STANDARD BIRD SCREEN.
- SPEED CONTROL.
- THERMAL OVERLOAD PROTECTION (SINGLE PHASE).

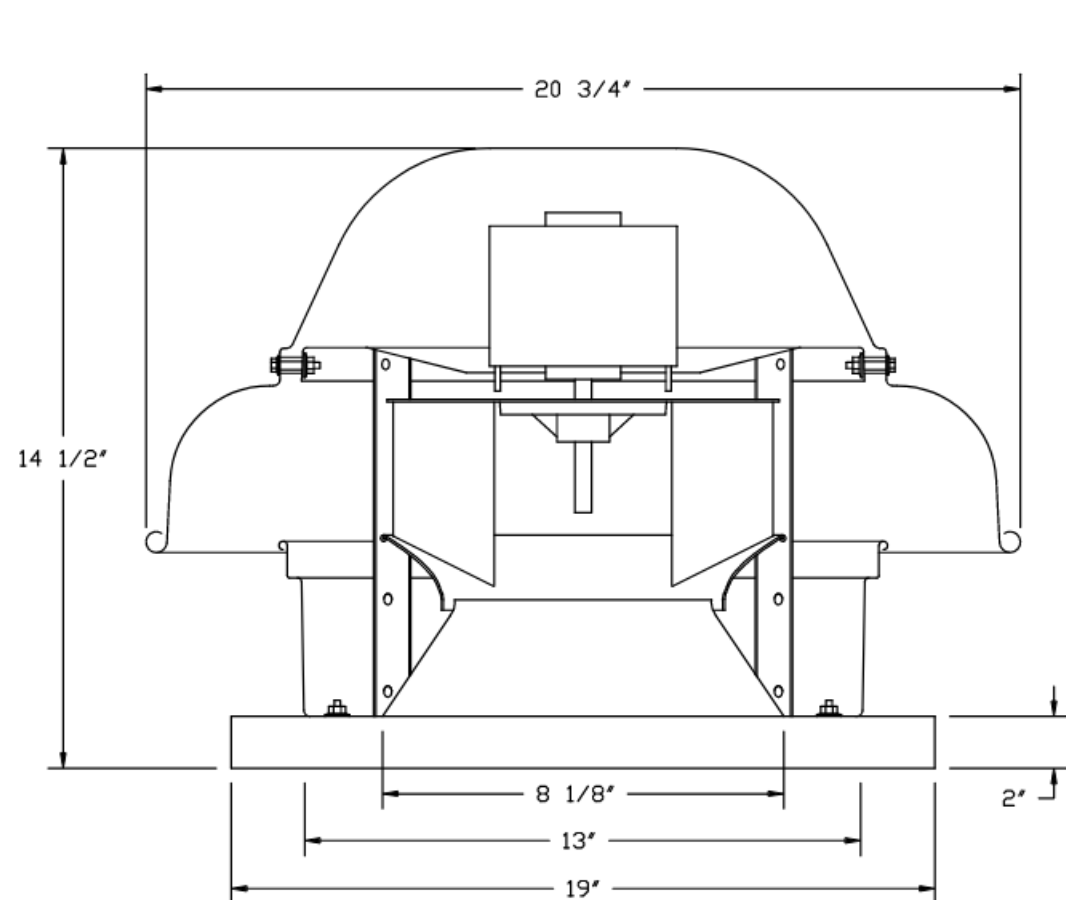
**OPTIONS**

- ECM WIRING PACKAGE - EXHAUST - MANUAL OR 0-10VDC REFERENCE SPEED CONTROL -MSC- (TELCD), CCW ROTATION
- 1 15-BDD DAMPER
- HINGE KIT - SHIPS LOOSE FOR CURB SUPPLIED BY OTHERS.
- 2 YEAR PARTS WARRANTY.

**BACKDRAFT DAMPER INSTALLATION**



FAN #8 (DR10HFA) - EXHAUST FAN (EF-8 K-0002358)



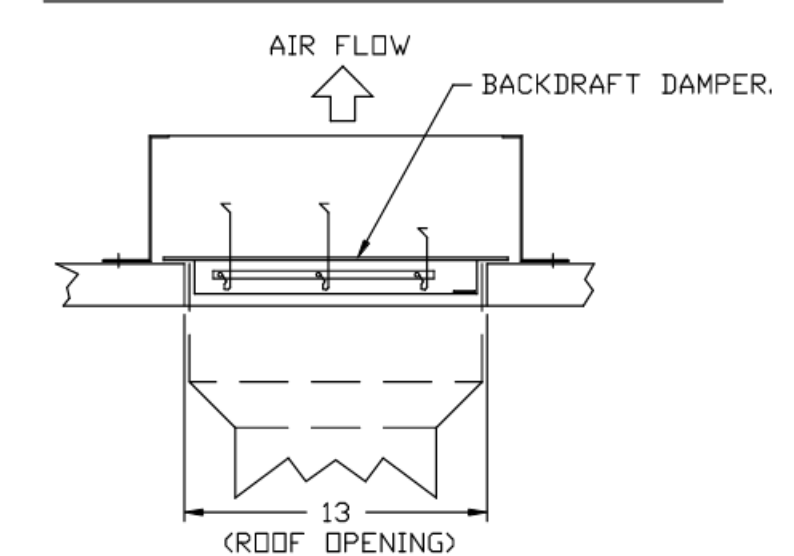
**FEATURES:**

- DIRECT DRIVE CONSTRUCTION (NO BELTS/PULLEYS)
- ROOF MOUNTED FANS.
- UL705.
- SAFETY DISCONNECT.
- STANDARD BIRD SCREEN.
- SPEED CONTROL.
- THERMAL OVERLOAD PROTECTION (SINGLE PHASE).

**OPTIONS**

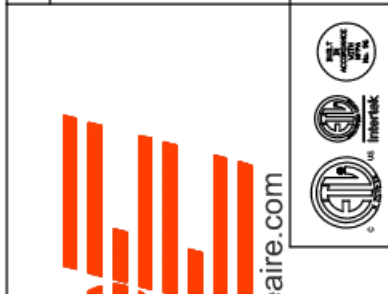
- 1 12-BDD DAMPER
- HINGE KIT - SHIPS LOOSE FOR CURB SUPPLIED BY OTHERS
- 2 YEAR PARTS WARRANTY.

**BACKDRAFT DAMPER INSTALLATION**



**REVISIONS**

NO.	DESCRIPTION	DATE



www.captiveair.com  
www.klh.com

**CAPTIVE AIR**

**KLH ENGINEERS**

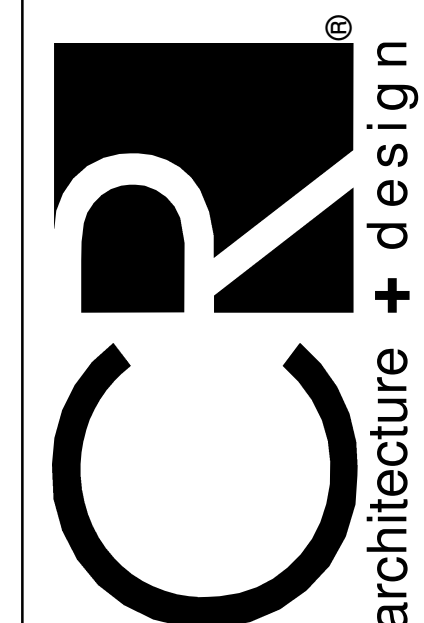
**National Accounts**

4641 Pringle Park Rd., Raleigh, NC 27616 PHONE: (919) 882-2410 FAX: 9192272948 EMAIL: ng15@clpvaire.com

KING SOOPERS #154 - FREDERICK, CO  
13TH + COLORADO BLVD,  
FREDERICK, CO, 80220

**DATE:** 8/23/2023  
**DWG.#:** 6181964  
**DRAWN BY:**  
**SCALE:** 3/4" = 1'-0"  
**MASTER DRAWING**

**SHEET NO.**  
3



CHICAGO • CINCINNATI • DALLAS  
DENVER • DETROIT • SEATTLE  
800.469.4949  
www.cradarchitects.com

**CONSULTANTS**

MECHANICAL/ELECTRICAL ENGINEERS  
WWW.ALHENGERS.COM  
LEWINGTON, KENTUCKY  
LOUISVILLE, KENTUCKY  
COLUMBUS, OHIO

**KLH ENGINEERS**  
KOHRS, LONNEMANN, HELL, ENGINEERS, INC.  
1538 ALEXANDRIA PIKE, SUITE 111  
FT. THOMAS, KENTUCKY 41075  
939-442-8958 FAX  
939-442-8958 FAX

**OWNER**



**ISSUE/REVISION**

NO.	DATE	DESCRIPTION
08/31/2023	90% OWNER REVIEW	
10/17/2023	BID/PERMIT ISSUE	

PROJECT TITLE  
KING SOOPERS  
KS154

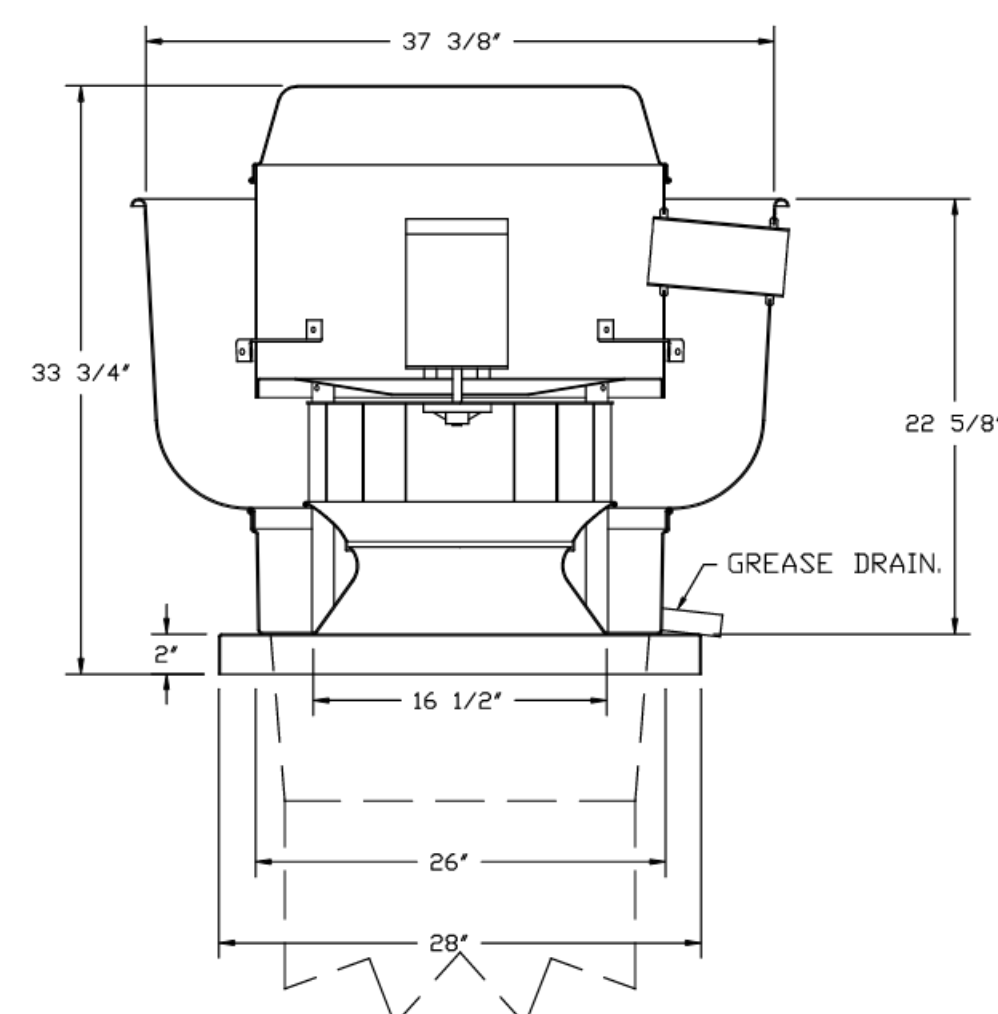
HWY 52 & COLORADO BLVD  
FREDERICK, CO 80643  
COMMISSION NO. 522401  
ISSUE DATE 10/17/23

SHEET TITLE  
HVAC SECTIONS  
AND DETAILS

SHEET NO.  
**M3.1.3**

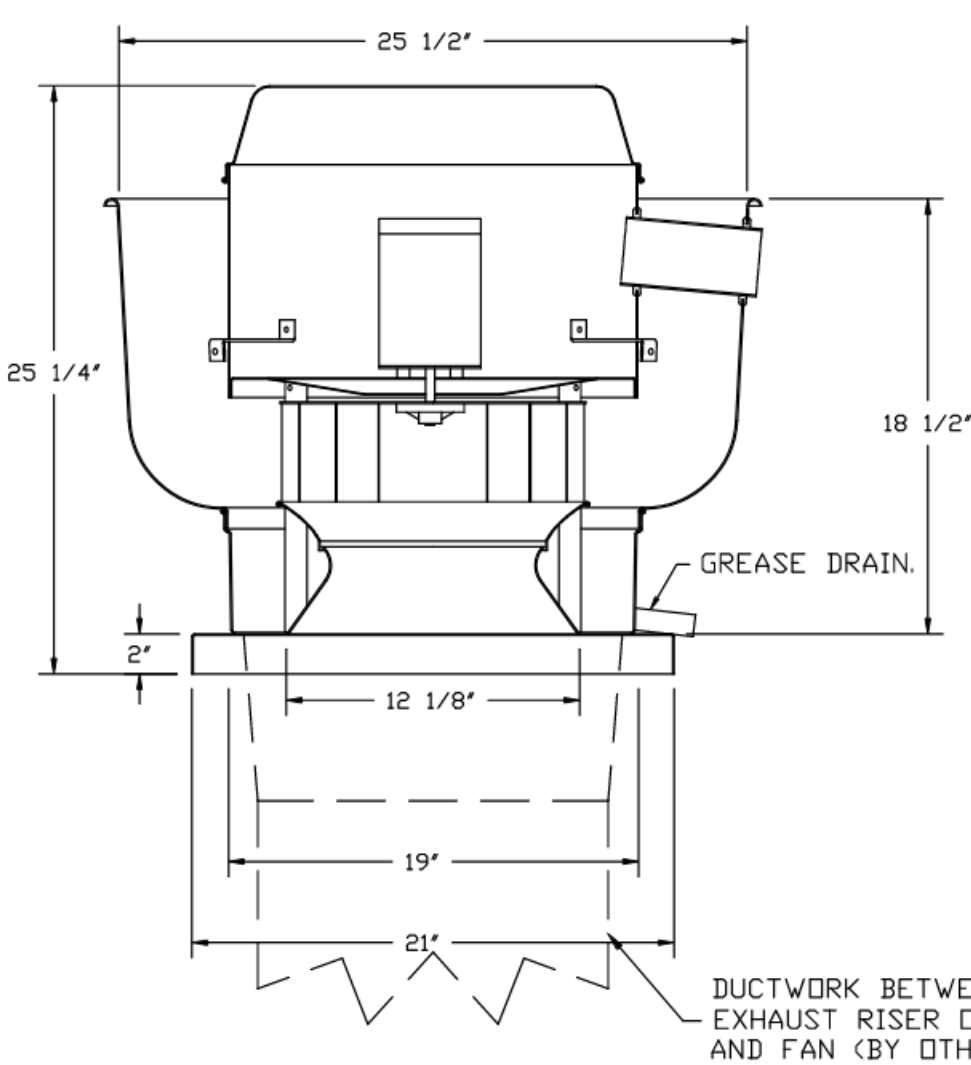
© 2022 Cole+Russell Architects, Inc.

FAN #4 BU33HFA - EXHAUST FAN (EF-4 K-2069262)

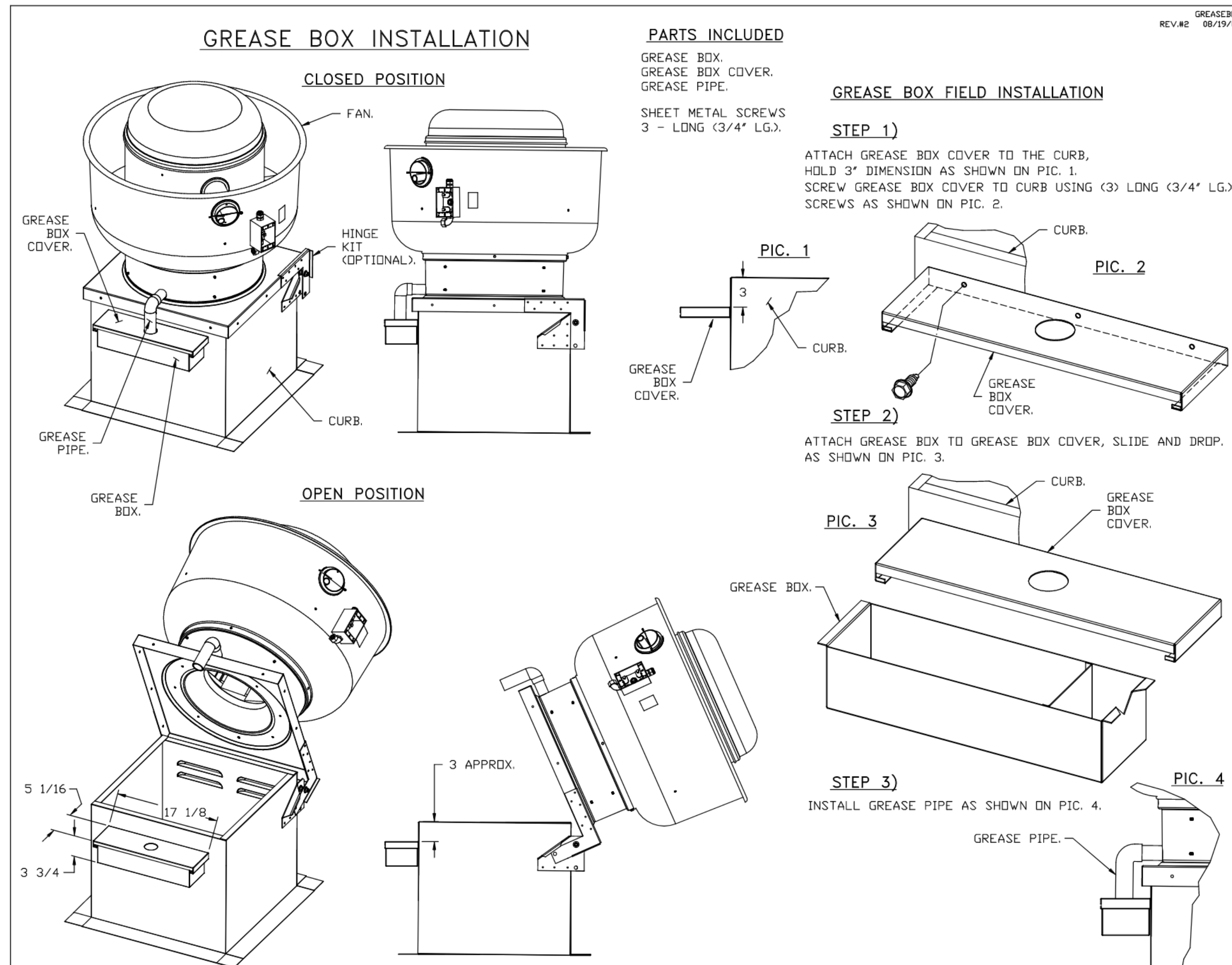


- FEATURES:**
- DIRECT DRIVE CONSTRUCTION (NO BELTS/PULLEYS).
  - ROOF MOUNTED FANS.
  - RESTAURANT MODEL.
  - UL705 AND UL768 AND ULC-S645
  - VARIABLE SPEED CONTROL.
  - INTERNAL WIRING.
  - THERMAL OVERLOAD PROTECTION (SINGLE PHASE).
  - HIGH HEAT OPERATION 300°F (149°C).
  - GREASE CLASSIFICATION TESTING.
  - NEMA 3R SAFETY DISCONNECT SWITCH.
- NORMAL TEMPERATURE TEST**  
EXHAUST FAN MUST OPERATE CONTINUOUSLY WHILE EXHAUSTING BURNING GREASE VAPORS AT 600°F (316°C) FOR A PERIOD OF 15 MINUTES WITHOUT THE FAN BECOMING DAMAGED TO ANY EXTENT THAT COULD CAUSE AN UNSAFE OPERATION.
- ABNORMAL FLARE-UP TEST**  
EXHAUST FAN MUST OPERATE CONTINUOUSLY WHILE EXHAUSTING BURNING GREASE VAPORS AT 600°F (316°C) FOR A PERIOD OF 15 MINUTES WITHOUT THE FAN BECOMING DAMAGED TO ANY EXTENT THAT COULD CAUSE AN UNSAFE OPERATION.
- OPTIONS**
- GREASE BOX.
  - HINGE KIT - SHIPS LOOSE FOR CURB SUPPLIED BY OTHERS.
  - 2 YEAR PARTS WARRANTY.

FANS #9 (EF-9 K-5002372), #10 (EF-10 K-5002372) - BU33HFA EXHAUST FAN



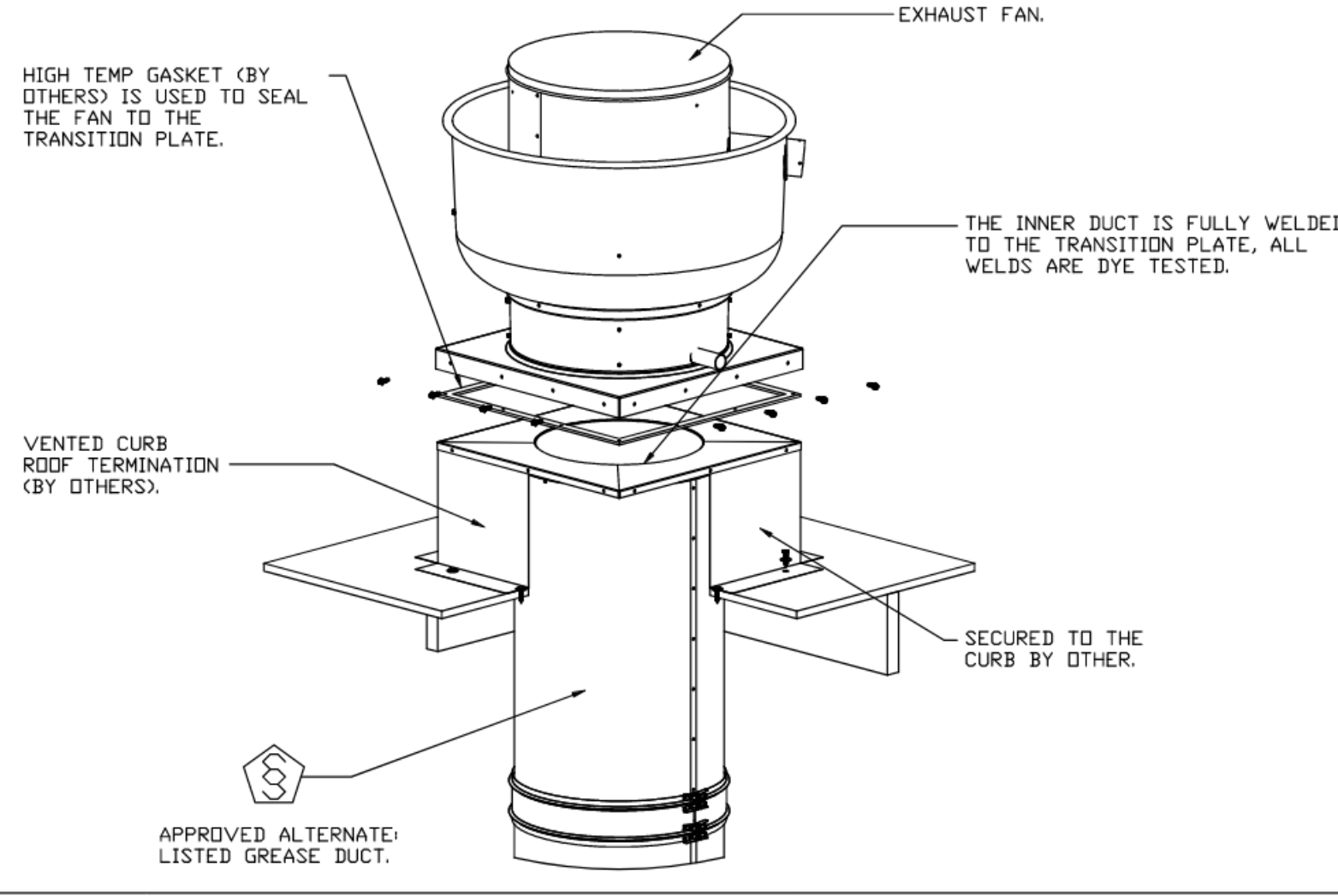
- FEATURES:**
- DIRECT DRIVE CONSTRUCTION (NO BELTS/PULLEYS).
  - ROOF MOUNTED FANS.
  - RESTAURANT MODEL.
  - UL705 AND UL768 AND ULC-S645
  - VARIABLE SPEED CONTROL.
  - INTERNAL WIRING.
  - THERMAL OVERLOAD PROTECTION (SINGLE PHASE).
  - HIGH HEAT OPERATION 300°F (149°C).
  - GREASE CLASSIFICATION TESTING.
  - NEMA 3R SAFETY DISCONNECT SWITCH.
- NORMAL TEMPERATURE TEST**  
EXHAUST FAN MUST OPERATE CONTINUOUSLY WHILE EXHAUSTING BURNING GREASE VAPORS AT 600°F (316°C) FOR A PERIOD OF 15 MINUTES WITHOUT THE FAN BECOMING DAMAGED TO ANY EXTENT THAT COULD CAUSE AN UNSAFE OPERATION.
- ABNORMAL FLARE-UP TEST**  
EXHAUST FAN MUST OPERATE CONTINUOUSLY WHILE EXHAUSTING BURNING GREASE VAPORS AT 600°F (316°C) FOR A PERIOD OF 15 MINUTES WITHOUT THE FAN BECOMING DAMAGED TO ANY EXTENT THAT COULD CAUSE AN UNSAFE OPERATION.
- OPTIONS**
- GREASE BOX.
  - HINGE KIT - SHIPS LOOSE FOR CURB SUPPLIED BY OTHERS.
  - 2 YEAR PARTS WARRANTY.
- DUCTWORK BETWEEN EXHAUST RISER IN HOOD AND FAN (BY OTHERS).



\*NOTE: UL 705 INSTALL.

**CAPTIVE AIRE UL LISTED DUCT IS APPROVED AS AN ALTERNATE - SPEC BELOW**

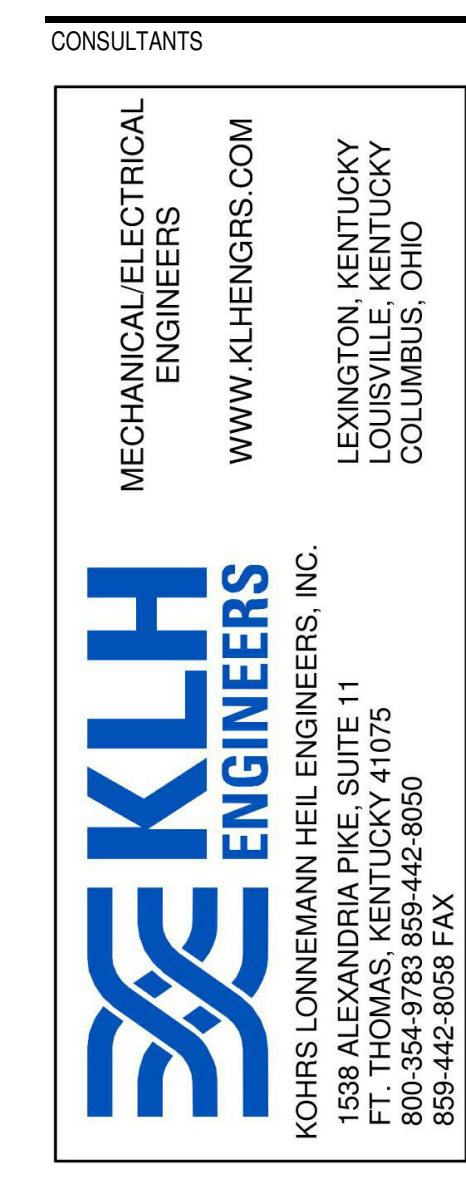
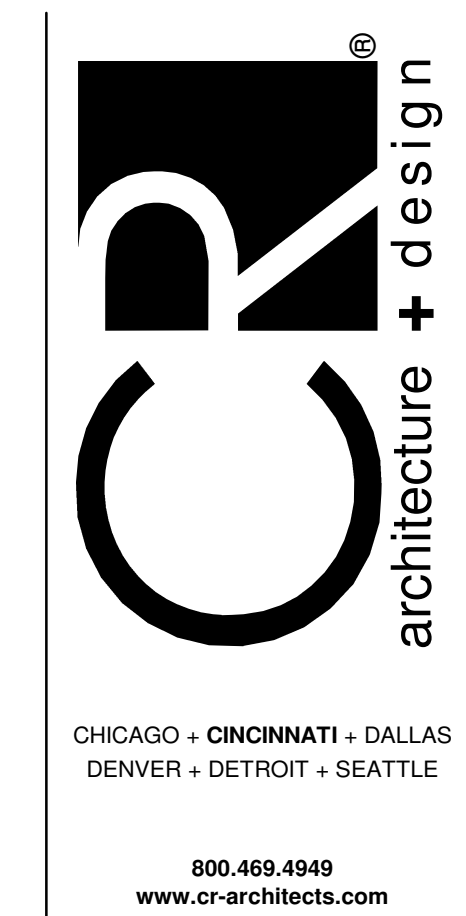
GREASE DUCT & CHIMNEY SPECIFICATIONS:  
PROVIDE GREASE DUCT EQUAL TO CAPTIVEAIRE SYSTEMS MODEL "DW" ROUND 20 GAUGE 430 STAINLESS STEEL DUCTWORK. MODEL "DW" IS LISTED TO UL-1978 AND IS INSTALLED USING "V" CLAMP LOCKING CONNECTIONS SEALED WITH 3M FIRE BARRIER 2000 PLUS. MODEL "DW" DOES NOT REQUIRE WELDING PROVIDED IT HAS BEEN INSTALLED PER THE MANUFACTURER'S INSTALLATION GUIDE.  
PROVIDE RATED ACCESS DOORS AT EVERY CHANGE IN DIRECTION AND EVERY 12' ON CENTER. PER MANUFACTURER'S LISTING MODEL "DW" HORIZONTAL RUNS LESS THAN 75 FT. CAN BE SLOPED 1/16" PER 12", HORIZONTAL RUNS MORE THAN 75 FT. CAN BE SLOPED 3/16" PER 12'. DUCT SHOULD BE SLOPED AS MUCH AS POSSIBLE TO REDUCE THE CHANCE OF GREASE ACCUMULATION IN HORIZONTAL RUNS.  
IF THE DUCT OR CHIMNEY IS WITHIN 18 INCHES OF COMBUSTIBLE MATERIAL, PROVIDE UL-2221 OR UL-103 HT LISTED DOUBLE WALL GREASE DUCT OR DOUBLE WALL CHIMNEY EQUAL TO CAPTIVEAIRE SYSTEMS MODEL "DW-2R, 2R" TYPE HT, 3R, OR 3Z" ROUND 20 GAUGE 430 STAINLESS INNER DUCT INSULATED WITH A 24 GAUGE 430 STAINLESS OUTER SHELL.



KING SOOPERS #154 - FREDERICK, CO  
13TH + COLORADO BLVD,  
FREDERICK, CO, 80220

**DATE:** 8/23/2023  
**DWG.#:** 6181964  
**DRAWN BY:**  
**SCALE:** 3/4" = 1'-0"  
**MASTER DRAWING**

**SHEET NO.**  
4



PROJECT TITLE  
KING SOOPERS  
KS154

HWY 52 & COLORADO BLVD  
FREDERICK, CO 80643

COMMISSION NO. 522401  
ISSUE DATE 10/17/23  
SHEET TITLE  
HVAC SECTIONS  
AND DETAILS

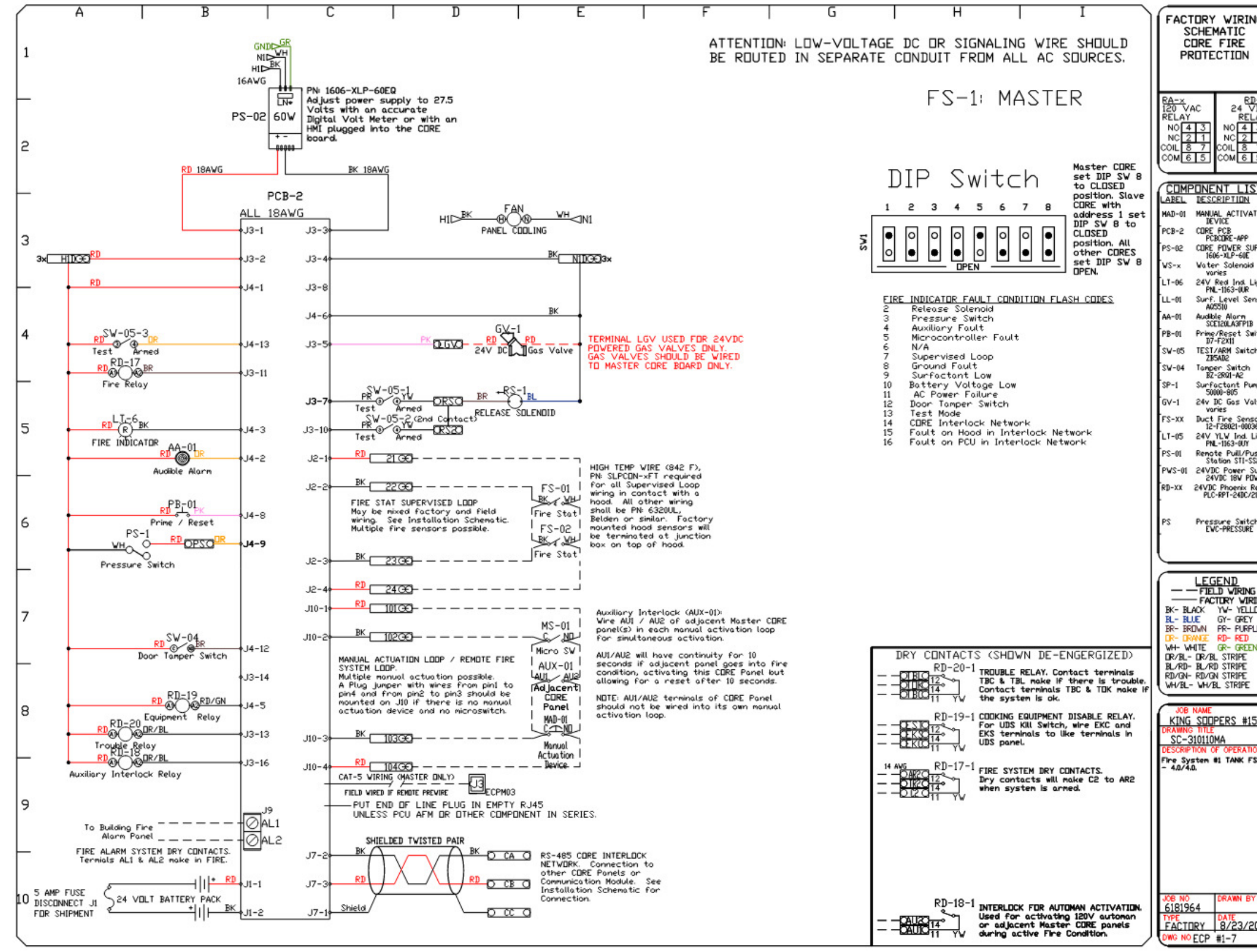
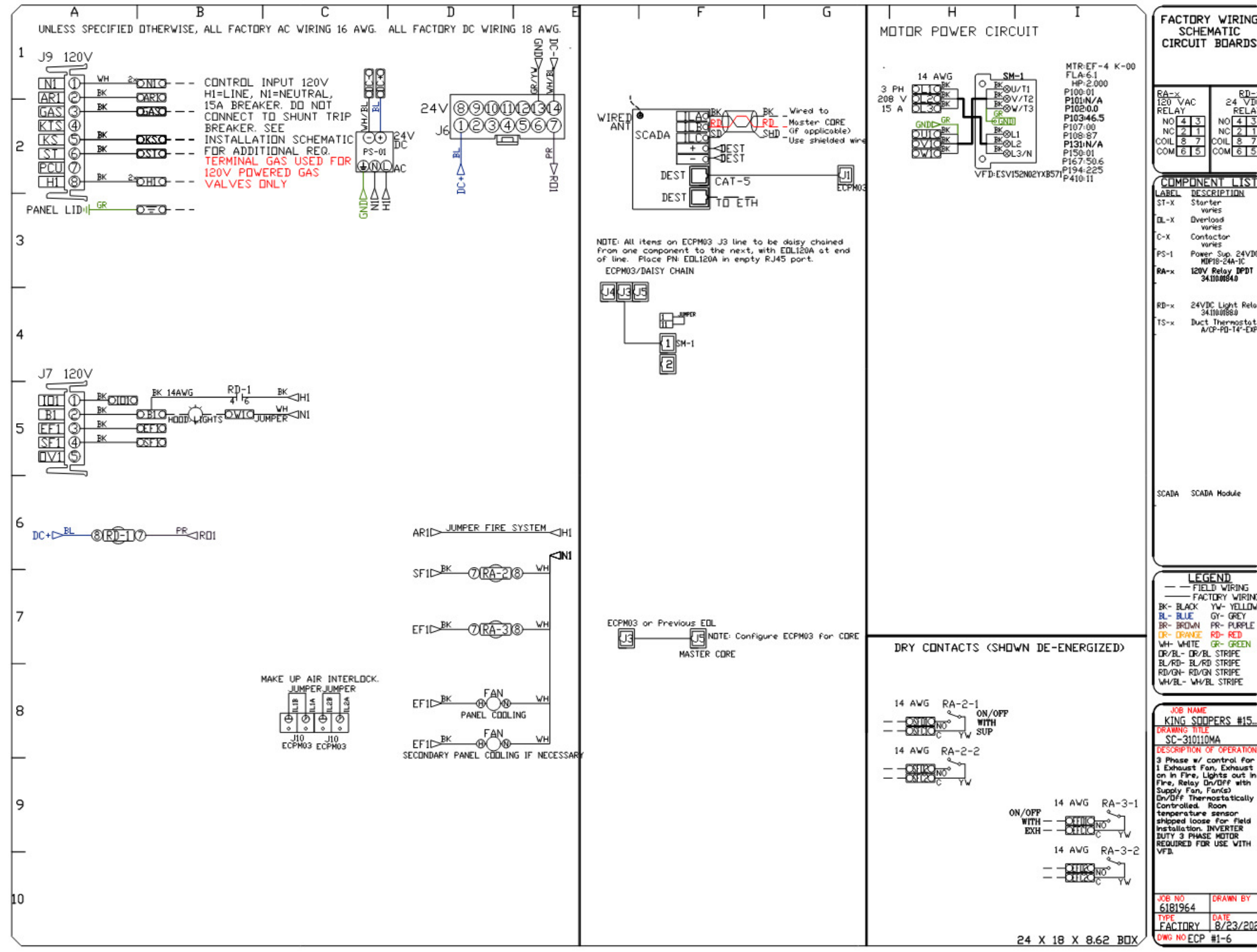
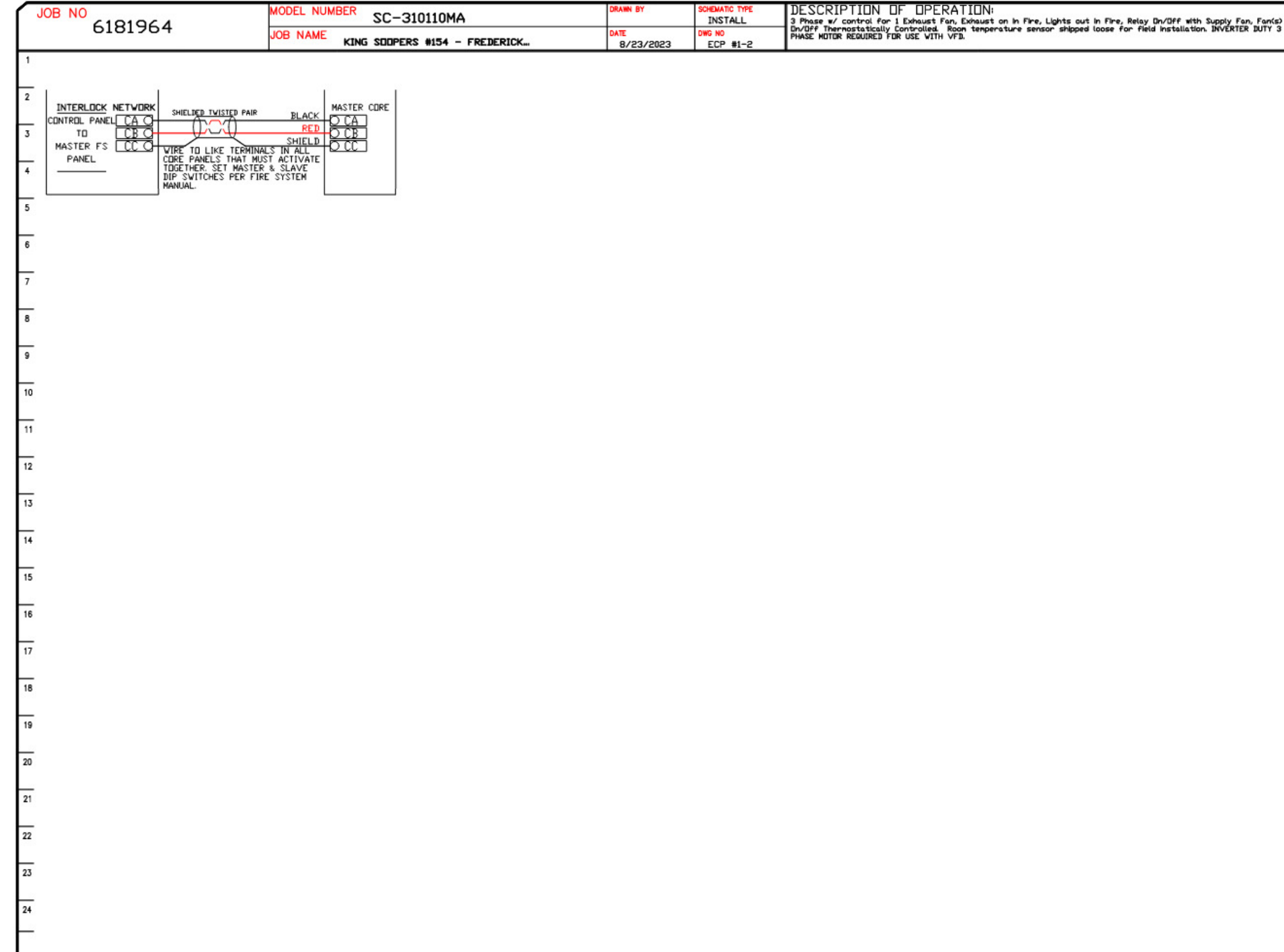
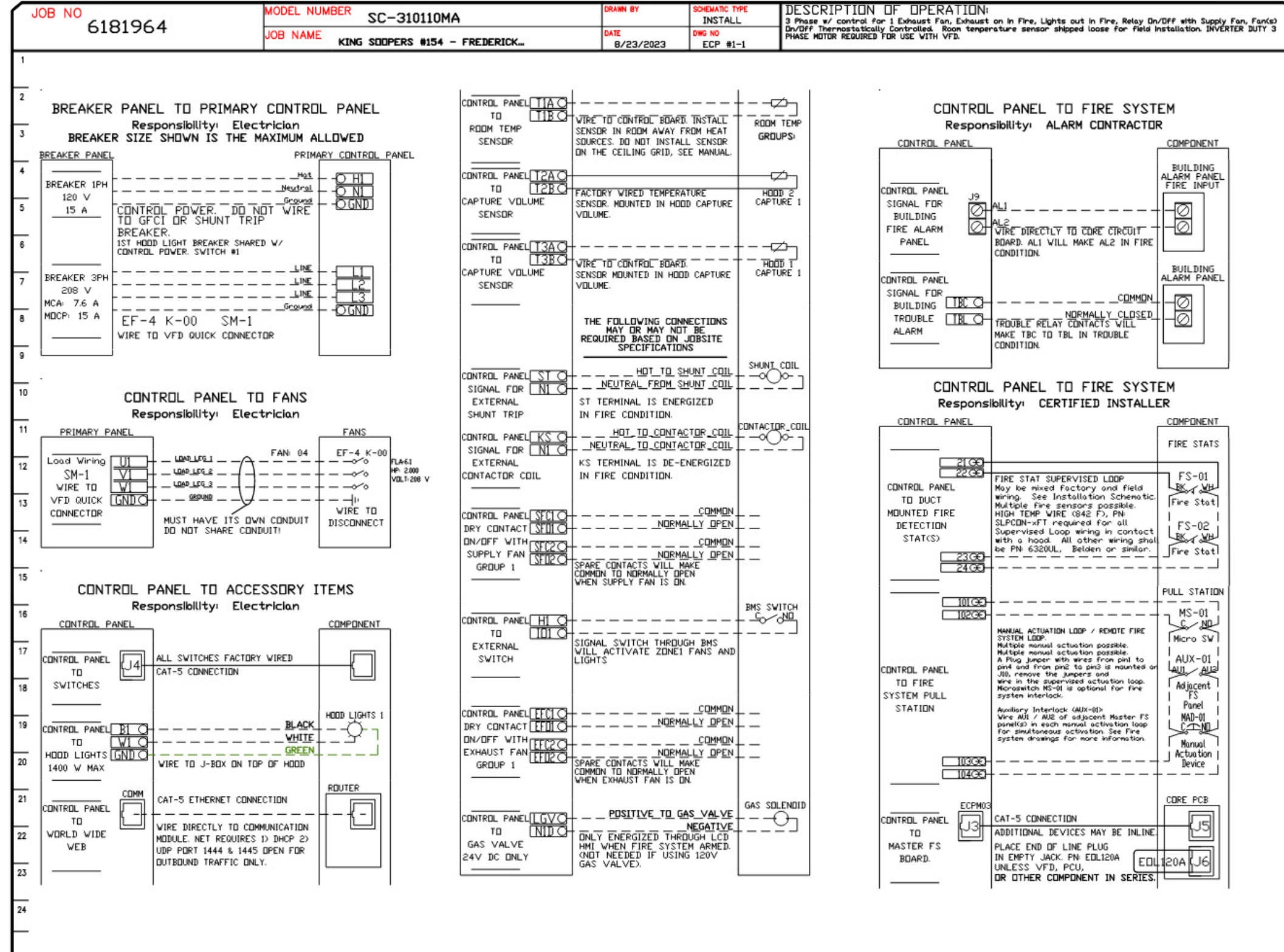
SHEET NO.  
M3.1.4

© 2022 Cole+Russell Architects, Inc.

THIS DOCUMENT IS THE PROPERTY OF COLE+RUSSELL ARCHITECTS, INC. WITHIN THE DOCUMENT FOR THE INFORMATION CONTAINED HEREIN, THE INFORMATION IS THE PROPERTY OF COLE+RUSSELL ARCHITECTS, INC. AND IS NOT TO BE REPRODUCED OR TRANSMITTED IN ANY FORM OR BY ANY MEANS, ELECTRONIC OR MECHANICAL, INCLUDING PHOTOCOPYING, RECORDING, OR BY ANY INFORMATION STORAGE AND RETRIEVAL SYSTEM, WITHOUT THE WRITTEN PERMISSION OF COLE+RUSSELL ARCHITECTS, INC.

**ELECTRICAL PACKAGE - JOB#6181964**

NO	TAG	PACKAGE #	LOCATION	SWITCHES		OPTION	FANS CONTROLLED						
				LOCATION	QUANTITY		FAN TAG	TYPE	#	HP	VOL.T	FLA	
1		SC-31010MA	UTILITY CABINET RIGHT	UTILITY CABINET RIGHT HOOD # 2	1 LIGHT 1 FAN	SMART CONTROLS THERMOSTATIC CONTROL W/ RELAY ON/OFF WITH SUPPLY	EF-4	K-069365	EXHAUST	3	2000	208	6.1



**REVISIONS**

NO	DESCRIPTION	DATE

**CAPTIVE**

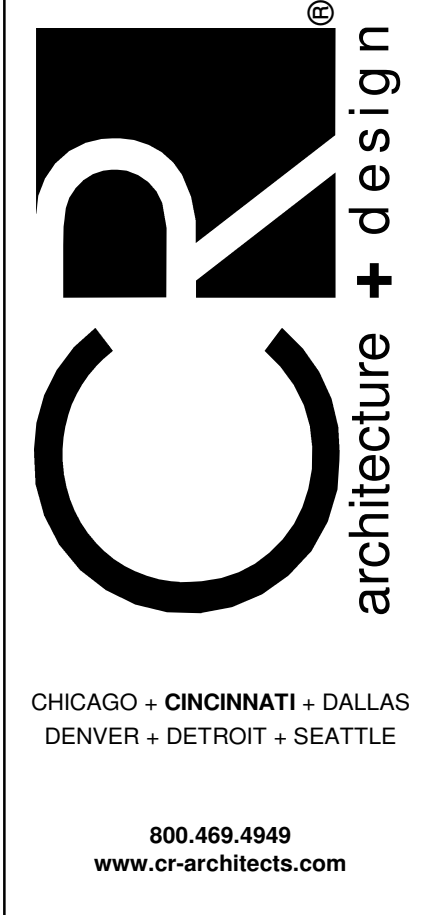
**National Accounts**

4641 Paragon Park Rd., Raleigh, NC 27616 PHONE: (919) 852-3410 FAX: 9192275948 EMAIL: rep15@captivewire.com

KING SOOPERS #154 - FREDERICK, CO  
13TH + COLORADO BLVD,  
FREDERICK, CO, 80220

**DATE:** 8/23/2023  
**DWG.#:** 6181964  
**DRAWN BY:**  
**SCALE:** 3/4" = 1'-0"  
**MASTER DRAWING**

**SHEET NO.**  
5



**CONSULTANTS**

MECHANICAL/ELECTRICAL ENGINEERS  
WWW.ALHENGERS.COM  
LEWINGTON, KENTUCKY  
LOUISVILLE, KENTUCKY  
COLUMBUS, OHIO

**KLH ENGINEERS**  
KOHRS LONNEMANN HILL ENGINEERS, INC.  
1538 ALEXANDRIA PIKE, SUITE 111  
FT. THOMAS, KENTUCKY 41075  
859-442-8958 FAX



**ISSUE/REVISION**

DATE	DESCRIPTION
08/31/2023	90% OWNER REVIEW
10/17/2023	BID PREP ISSUE

**PROJECT TITLE**  
KING SOOPERS  
KS154

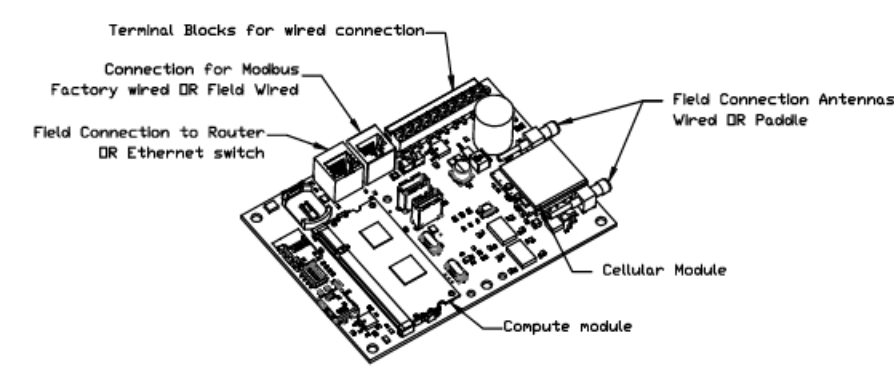
HWY 52 + COLORADO BLVD  
FREDERICK, CO 80643

COMMISSION NO. 522401  
ISSUE DATE 10/17/23  
SHEET TITLE  
HVAC SECTIONS  
AND DETAILS

**SHEET NO.**  
M3.1.5

© 2022 Cole+Russell Architects, Inc.

THIS DOCUMENT IS THE PROPERTY OF COLE+RUSSELL ARCHITECTS, INC. WITHIN THE DOCUMENT FOR THE INFORMATION CONTAINED HEREIN, NO PART OF THIS DOCUMENT IS TO BE REPRODUCED OR TRANSMITTED IN ANY FORM OR BY ANY MEANS, ELECTRONIC OR MECHANICAL, INCLUDING PHOTOCOPYING, RECORDING, OR BY ANY INFORMATION STORAGE AND RETRIEVAL SYSTEM, WITHOUT THE WRITTEN PERMISSION OF COLE+RUSSELL ARCHITECTS, INC.

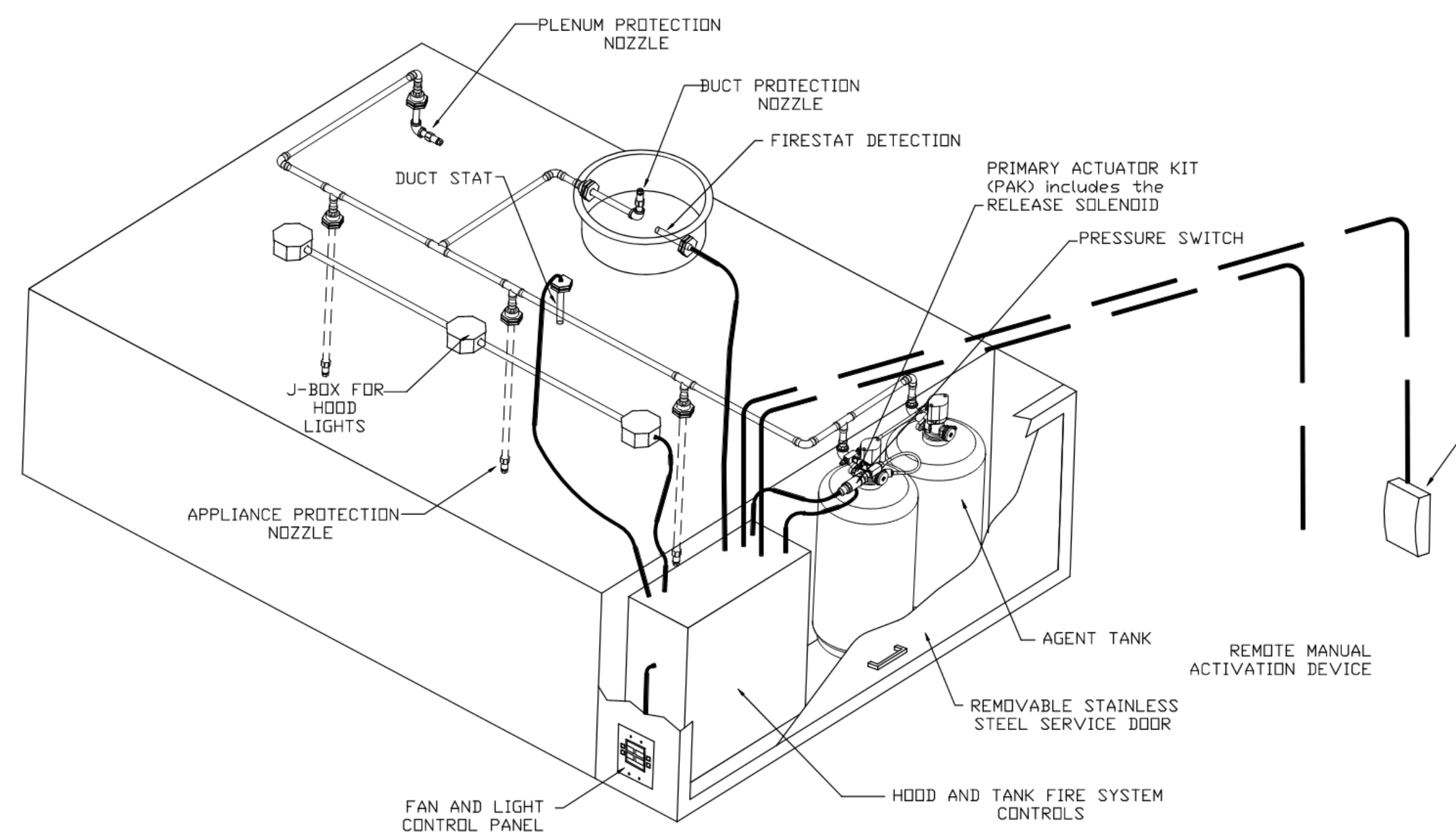


**CASlink Monitor and Control**

Hood control panel to support communications to cloud-based Building Management System.  
 Hood Control Panel is allow cloud-based Building Management System to monitor and control parameters outlined as MONITOR in the project list.  
 Hood Control Panel is allow cloud-based Building Management System to control parameters outlined as CONTROL in the project list.  
 Hood Control Panel is allow cloud-based Building Management System to implement SYSTEM ECONOMIZER control strategies for fully integrated Building Management.

**MONITORING AND CONTROL POINTS LIST**

IC Package	Function	IC Package	Function
Room Temperature	#000708	Room Temperature(s)	#000708
Duct Temperature(s)	#000708	Duct Temperature(s)	#000708
WCU Discharge Temperature	#000708	WCU Discharge Temperature	#000708
Blower WCU Discharge Temperature	#000708	Blower WCU Discharge Temperature	#000708
Fan Speed	#000708	Coil-Header Pressure	#000708
Fan Amperage	#000708	Fan Fault	#000708
Fan Power	#000708	Fan Status	#000708
WCU Faults	#000708	WCU Fault	#000708
Coil-Header Faults	#000708	WCU Filter Clog Percentage	#000708
Fan Fault	#000708	Fan Condition	#000708
Fan Status	#000708	CO2 Fan System	#000708
WCU Fault	#000708	Building Pressure	#000708
WCU Filter Clog Percentage	#000708	Fan Status(s)	#000708 & CONTROL
Fan Condition	#000708	Light Bulb(s)	#000708 & CONTROL
CO2 Fan System	#000708	Wash Button	#000708 & CONTROL
Building Pressure	#000708		
Prop Flow Button	#000708 & CONTROL		
Fan Button	#000708 & CONTROL		
Light Bulb(s)	#000708 & CONTROL		
Wash Button	#000708 & CONTROL		



**TYPICAL HOOD and TANK FIRE SYSTEM LAYOUT**  
 THIS DETAIL IS GENERIC AND IS NOT INTENDED TO COVER ALL POSSIBLE, ACCEPTABLE SCENARIOS.  
 REFER TO PROJECT DRAWINGS/SCHEMATICS FOR DETAILS.

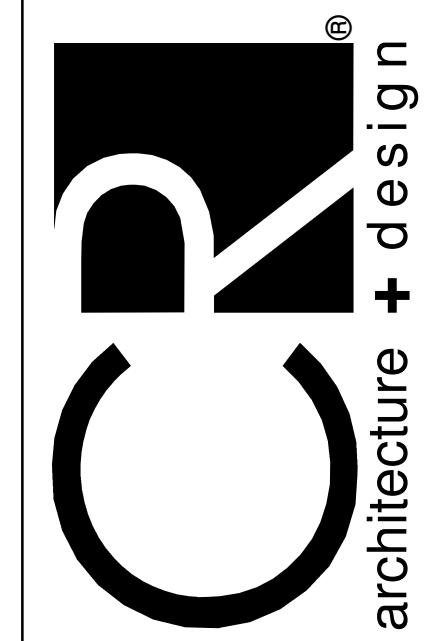
REVISIONS	
DESCRIPTION	DATE

**CAPTIVE**  
 www.captivefire.com  
 National Accounts  
 4641 Paragon Park Rd., Raleigh, NC 27616 PHONE: (919) 852-2410 FAX: 9192275948 EMAIL: nra15@captivefire.com

KING SOOPERS #154 - FREDERICK, CO  
 13TH + COLORADO BLVD,  
 FREDERICK, CO, 80220

DATE: 8/23/2023  
 DWG.#: 6181964  
 DRAWN BY:  
 SCALE: 3/4" = 1'-0"  
 MASTER DRAWING

SHEET NO. 6



CHICAGO • CINCINNATI • DALLAS  
 DENVER • DETROIT • SEATTLE  
 800.468.4949  
 www.crarchitects.com

CONSULTANTS

MECHANICAL ELECTRICAL ENGINEERS  
 WWW.KLHENGINEERS.COM  
 LEWINGTON, KENTUCKY  
 LOUISVILLE, KENTUCKY  
 COLUMBUS, OHIO

KLH ENGINEERS  
 KOHRS, LONNEMANN HEIL ENGINEERS, INC.  
 1138 ALEXANDRIA PIKE, SUITE 11  
 FT. THOMAS, KENTUCKY 41075  
 502-442-8600  
 502-442-8028 FAX

OWNER



ISSUE/REVISION	DATE	DESCRIPTION

08/31/2023 90% OWNER REVIEW  
 10/17/2023 BID/PERMIT ISSUE

PROJECT TITLE  
 KING SOOPERS  
 KS154

HWY 52 & COLORADO BLVD  
 FREDERICK, CO 80643  
 COMMISSION NO. 522401  
 ISSUE DATE 10/17/23

SHEET TITLE  
 HVAC SECTIONS  
 AND DETAILS

SHEET NO.  
**M3.1.6**

© 2022 Cole+Russell Architects, Inc.

**DUCTWORK #1 PARTS - JOB#6181964 DOUBLE WALL**

TAG	PART #	CFM	GPM	ZONE	COVERED BY	SP	WEIGHT	VELOCITY	QTY	DESCRIPTION
P1	DW1223DWLT-2R-S	1200				-0.009	27.05	1527.89	1	DOUBLE WALL DUCT - 12" INNER DUCT, 23' LONG - 2 LAYERS REDUCED CLEARANCE - 16" STAINLESS STEEL OUTER SHELL.
P2	DW1290DWASY-2R-S	1200				-0.096	27.16	1527.89	1	DOUBLE WALL DUCT - 12" INNER 90 DUCT - 2 LAYERS REDUCED CLEARANCE - 16" STAINLESS STEEL OUTER SHELL.
P3	DW1216DWRNDADPECC2ASY17-2R-S	1200				-0.045	28.71	1527.89	1	DOUBLE WALL DUCT ECCENTRIC - 12" X 16" RNDRND ADAPTER - 17" TALL - 2 LAYERS REDUCED CLEARANCE - 16" X 20" STAINLESS STEEL OUTER SHELL. STANDARD ADAPTER.
P4	DW16DWTEASY-2R-S	2400		1		-0.377	49.32	1718.87	1	DOUBLE WALL DUCT - 16" INNER TEE DUCT - 2 LAYERS REDUCED CLEARANCE - 20" STAINLESS STEEL OUTER SHELL.
P5	DW1216DWRNDADPECC2ASY17-2R-S	1200				-0.045	28.71	1527.89	1	DOUBLE WALL DUCT ECCENTRIC - 12" X 16" RNDRND ADAPTER - 17" TALL - 2 LAYERS REDUCED CLEARANCE - 16" X 20" STAINLESS STEEL OUTER SHELL. STANDARD ADAPTER.
P6	DW1210DWLT-2R-S	1200				-0.004	12.88	1527.89	1	DOUBLE WALL DUCT - 12" INNER DUCT, 10' LONG - 2 LAYERS REDUCED CLEARANCE - 16" STAINLESS STEEL OUTER SHELL.
P7	DW12DWTEASY-2R-S	1200		1		-0.096	34.13	1527.89	1	DOUBLE WALL DUCT - 12" INNER TEE DUCT - 2 LAYERS REDUCED CLEARANCE - 16" STAINLESS STEEL OUTER SHELL.
P8	DW1223DWLT-2R-S	1200				-0.009	27.05	1527.89	1	DOUBLE WALL DUCT - 12" INNER DUCT, 23' LONG - 2 LAYERS REDUCED CLEARANCE - 16" STAINLESS STEEL OUTER SHELL.
P9	DW12DWVACCDORCDV-2R-S						18.57		1	DOUBLE WALL DUCT - 12" INNER ACCESS DOOR & 16" ACCESS DOOR COVER WITH CLAMPS - 2 LAYERS REDUCED CLEARANCE - 16" STAINLESS STEEL OUTER SHELL.
P10	DW1647DWLT-2R-S	2400				-0.0182	70.12	1718.87	1	DOUBLE WALL DUCT - 16" INNER DUCT, 47' LONG - 2 LAYERS REDUCED CLEARANCE - 20" STAINLESS STEEL OUTER SHELL.
P11	DW1635DWLT-2R-S	2400				-0.0136	58.26	1718.87	1	DOUBLE WALL DUCT - 16" INNER DUCT, 35' LONG - 2 LAYERS REDUCED CLEARANCE - 20" STAINLESS STEEL OUTER SHELL.
P12	DW1627DWAJD-2R-S	2400				-0.0072	58.31	1718.87	1	DOUBLE WALL ADJUSTABLE DUCT - 16" INNER DUCT - 2 LAYERS REDUCED CLEARANCE - 20" STAINLESS STEEL OUTER SHELL. MIN LENGTH = 11' / MAX LENGTH = 24.5' / ADJUSTMENT = 13.5' / ADJUSTABLE SECTION MAY NEED TO BE CUT. INCLUDES SINGLE AND DOUBLE WALL "V" CLAMPS.
P13	DW2024SADKIT						8.01		1	DUCT - HORIZONTAL SADDLE SUPPORT KIT, USED WITH 20" DD - INCLUDES UNI-STRUT CUT TO LENGTH, DW2024SAD, & HARDWARE BAG 4.
P14	DW2024SADKIT						8.01		1	DUCT - HORIZONTAL SADDLE SUPPORT KIT, USED WITH 20" DD - INCLUDES UNI-STRUT CUT TO LENGTH, DW2024SAD, & HARDWARE BAG 4.
P15	DW1615DWASY-2R-S	2400				-0.0472	17.21	1718.87	1	DOUBLE WALL DUCT - 16" INNER 15 DUCT - 2 LAYERS REDUCED CLEARANCE - 20" STAINLESS STEEL OUTER SHELL.
P16	DW1609DWLT-2R-S	2400				-0.003	14.11	1718.87	1	DOUBLE WALL DUCT - 16" INNER DUCT, 9' LONG - 2 LAYERS REDUCED CLEARANCE - 20" STAINLESS STEEL OUTER SHELL.
P17	DW2024SADKIT						8.01		1	DUCT - HORIZONTAL SADDLE SUPPORT KIT, USED WITH 20" DD - INCLUDES UNI-STRUT CUT TO LENGTH, DW2024SAD, & HARDWARE BAG 4.
P18	DW2024SADKIT						8.01		1	DUCT - HORIZONTAL SADDLE SUPPORT KIT, USED WITH 20" DD - INCLUDES UNI-STRUT CUT TO LENGTH, DW2024SAD, & HARDWARE BAG 4.
P19	DW1615DWASY-2R-S	2400				-0.055	17.21	1718.87	1	DOUBLE WALL DUCT - 16" INNER 15 DUCT - 2 LAYERS REDUCED CLEARANCE - 20" STAINLESS STEEL OUTER SHELL.
P20	DW16DWVACCDORCDV-2R-S	2400		1		-0.1705	49.32	1718.87	1	DOUBLE WALL DUCT - 16" INNER TEE DUCT - 2 LAYERS REDUCED CLEARANCE - 20" STAINLESS STEEL OUTER SHELL.
P21	DW16DWVACCDORCDV-2R-S						21.48		1	DOUBLE WALL DUCT - 16" INNER ACCESS DOOR & 20" ACCESS DOOR COVER WITH CLAMPS - 2 LAYERS REDUCED CLEARANCE - 20" STAINLESS STEEL OUTER SHELL.
P22	DW1602DWOFFSETASY-2R-S	2400				-0.003	14.03	1718.87	1	DOUBLE WALL DUCT - 16" INNER DUCT RISER & 2 DEGREE OFFSET - 2 LAYERS REDUCED CLEARANCE - 20" STAINLESS STEEL OUTER SHELL.
P23	DW1647DWLT-2R-S	2400				-0.0179	70.12	1718.87	1	DOUBLE WALL DUCT - 16" INNER DUCT, 47' LONG - 2 LAYERS REDUCED CLEARANCE - 20" STAINLESS STEEL OUTER SHELL.
P24	DW1647DWAJD-2R-S	2400				-0.0161	103.34	1718.87	1	DOUBLE WALL ADJUSTABLE DUCT - 16" INNER DUCT - 2 LAYERS REDUCED CLEARANCE - 20" STAINLESS STEEL OUTER SHELL. MIN LENGTH = 11' / MAX LENGTH = 48.5' / ADJUSTMENT = 30.5' / ADJUSTABLE SECTION MAY NEED TO BE CUT. INCLUDES SINGLE AND DOUBLE WALL "V" CLAMPS.
P25	DW164550DWLTP-2R-S	2400				-0.017	68.55	1718.87	1	DOUBLE WALL DUCT - 16" INNER DUCT, 45.5' LONG - 2 LAYERS REDUCED CLEARANCE - 20" STAINLESS STEEL OUTER SHELL - USED WITH TRANSITION PLATE.
P26	DW2616TPDBEX	2400					9.00	1718.87	1	DUCT TO CURB TRANSITION 3/4" DOWN TURN, 26 1/2" CURB TO 16" DUCT, 16 GA ALUMINIZED, USED ON NCA16FA / NCA18HPFA & NCA18FA / NCA18HPFA. TRANSITION PLATE DD IS 27.00" DESIGNED FOR USE WITH EXHAUST FAN. NON-STANDARD PART.
	3M-2000PLUS						0.80		6	DUCT - 3M FIRE BARRIER 2000 PLUS SILICONE - USED AS SEALANT TO SEAL DUCT JOINTS.
	DW12DWCLASY-2R-S						6.44		5	DUCT - 12" DUCT - 16" DOUBLE "V" CLAMP - 2R INSULATION & SINGLE "V" CLAMP INCLUDED - REDUCED CLEARANCE.
	DW16DWCLASY-2R-S						7.96		9	DUCT - 16" DUCT - 20" DOUBLE "V" CLAMP - 2R INSULATION & SINGLE "V" CLAMP INCLUDED - REDUCED CLEARANCE.
	TOTAL WEIGHT						959.32			

**DOUBLE WALL FACTORY BUILT DUCTWORK**

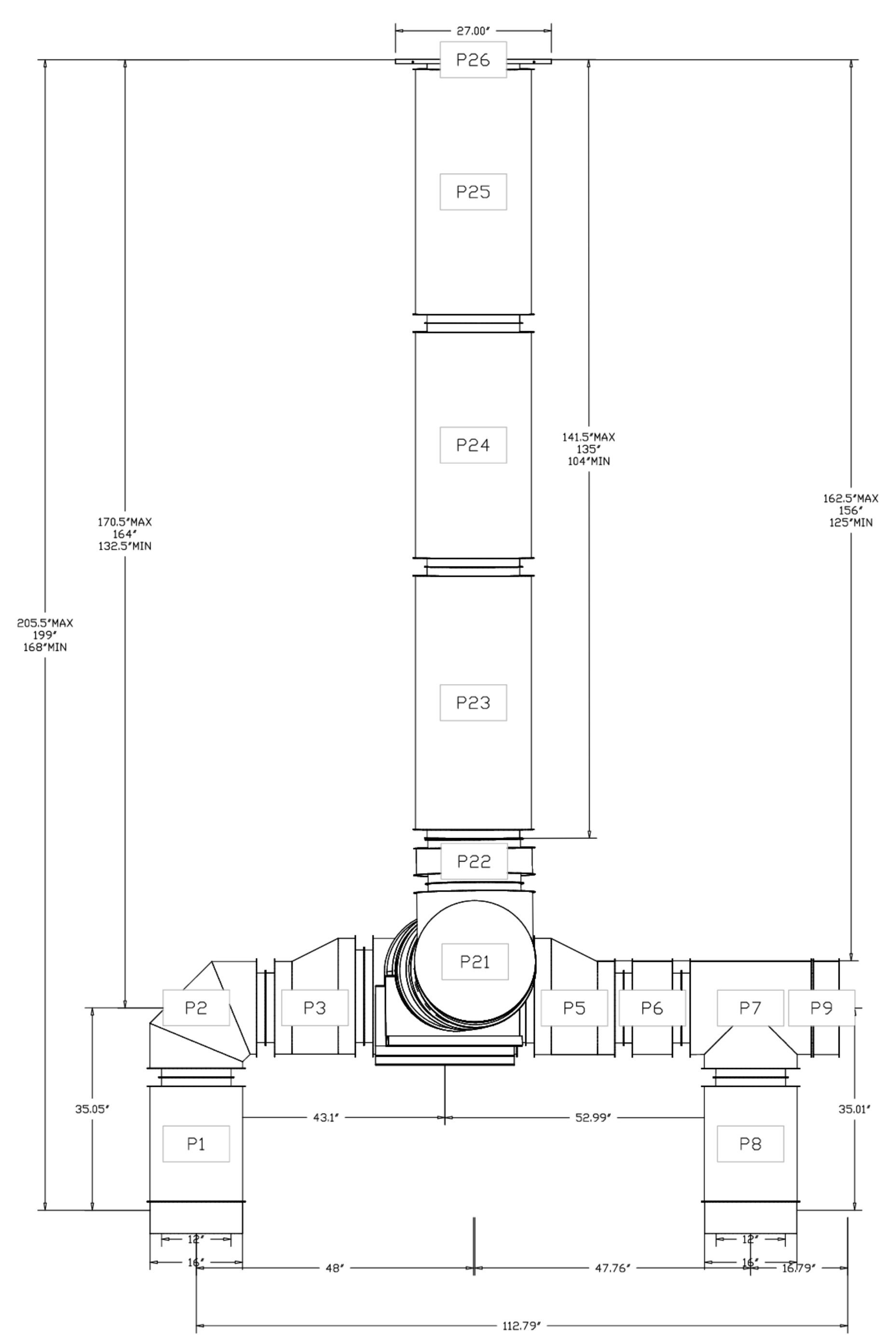
- ALL DUCTWORK IS REQUIRED TO BE INSTALLED WITH THE MAXIMUM SUPPORT SPACING LISTED BELOW.
- FOR A COMPLETE LIST OF APPROVED SUPPORT METHODS, SEE THE ENTIRE INSTALLATION AND OPERATION MANUAL.
- DUCTWORK SHALL SLOPE NOT LESS THAN 1/16" PER LINEAR FOOT TOWARDS THE HOOD OR AN APPROVED GREASE COLLECTION RESERVOIR.
- WHERE HORIZONTAL DUCTS EXCEED 75 FEET IN LENGTH, THE SLOPE SHALL NOT BE LESS THAN 3/16" PER LINEAR FOOT.

HORIZONTAL	
DUCT DIAMETER	SUPPORT SPACING (FT)
5"	7'
6"	7'
7"	7'
8"	7'
10"	7'
12"	7'
14"	7'
16"	7'
18"	5'
20"	5'
22"	5'
24"	5'
26"	5'
28"	5'
30"	5'
32"	5'
34"	5'
36"	5'

VERTICAL			
TYPE	WALL SUPPORT (FT)	CURB SUPPORT (FT)	FLOOR SUPPORT (FT)
2R & 2R HT (5'-16")	20'	24'	24'
2R (18")	18'	24'	24'
3R & 3Z (5'-24")	10'	24'	24'
3Z (26'-36")	10'	20'	20'

DO NOT LEAK TEST USING SMOKE BOMBS CONTAINING CHLORINES/CHLORIDES. CONSULT WITH CAPTIVEAIRE FOR PROPER LEAK TESTING METHODS.

**DUCTWORK #1 FRONT VIEW**



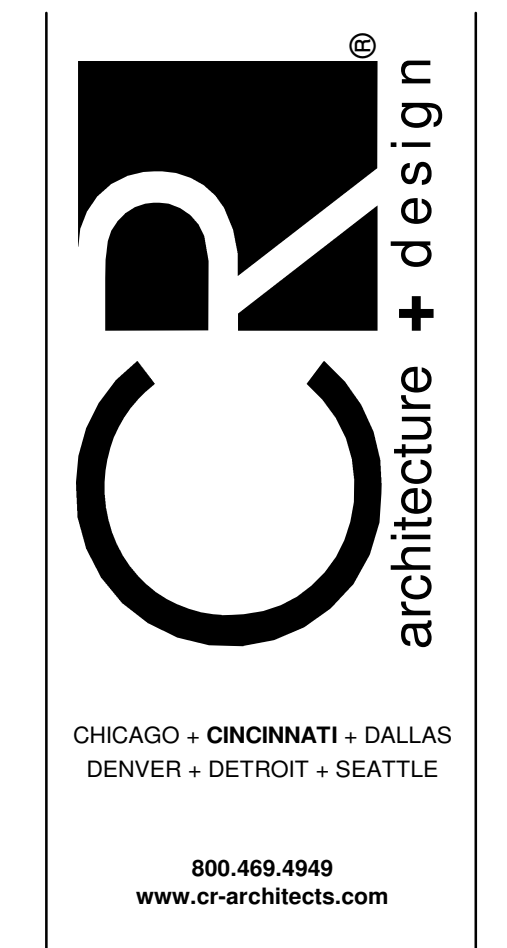
DUCT DESIGN IS PRELIMINARY. THE FINAL DESIGN MUST BE CONFIRMED BY FIELD MEASUREMENTS PRIOR TO ORDERING.

DESIGN: 08/23/2023
DESCRIPTION: 6181964
DRAWN BY: [Redacted]
SCALE: 3/4" = 1'-0"
MASTER DRAWING
SHEET NO. 7

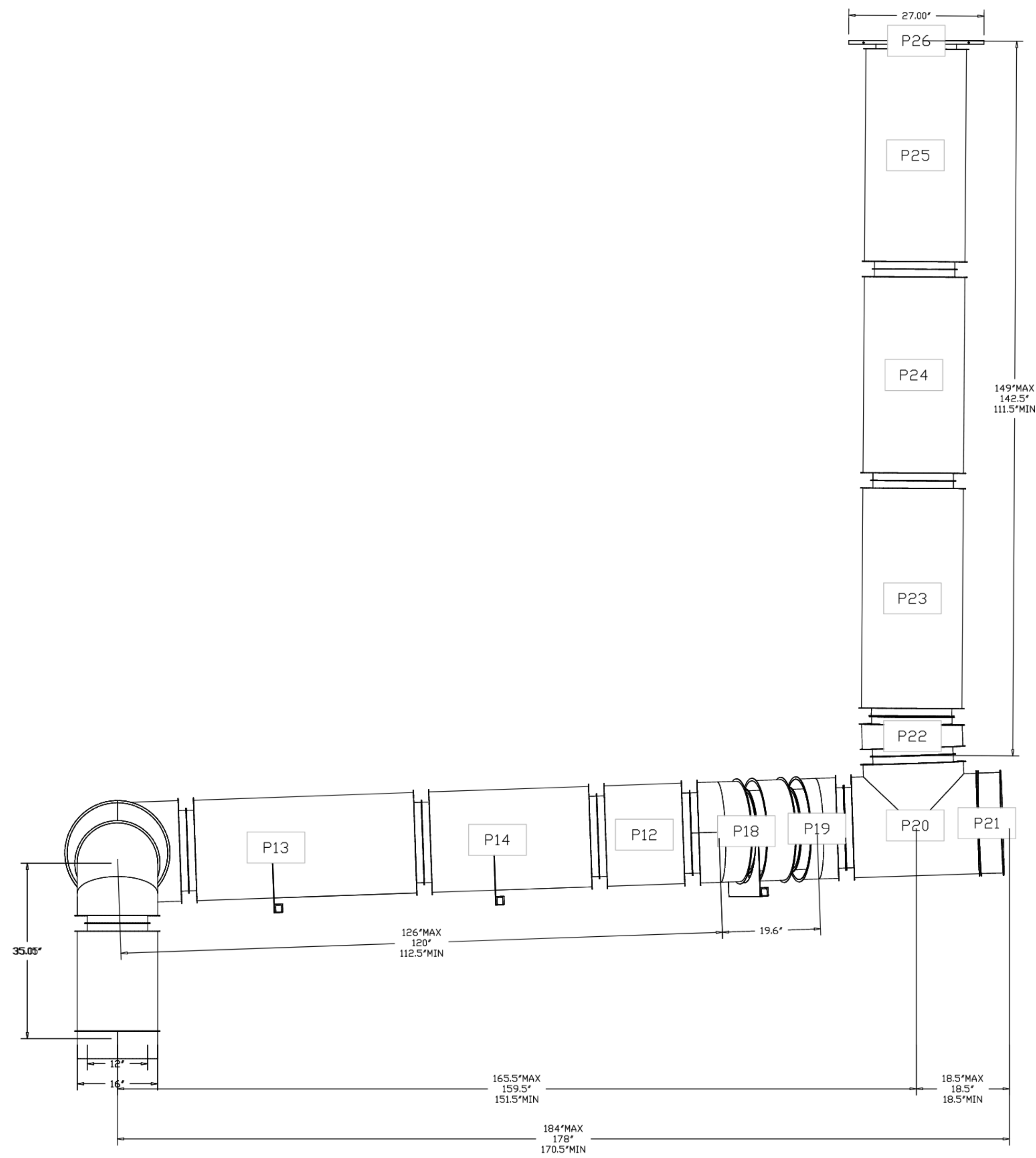
**CAPTIVEAIRE**

4641 Farrington Park Rd., Raleigh, NC 27616 PHONE: (919) 852-2410 FAX: 9192275948 EMAIL: rtp15@captivaire.com

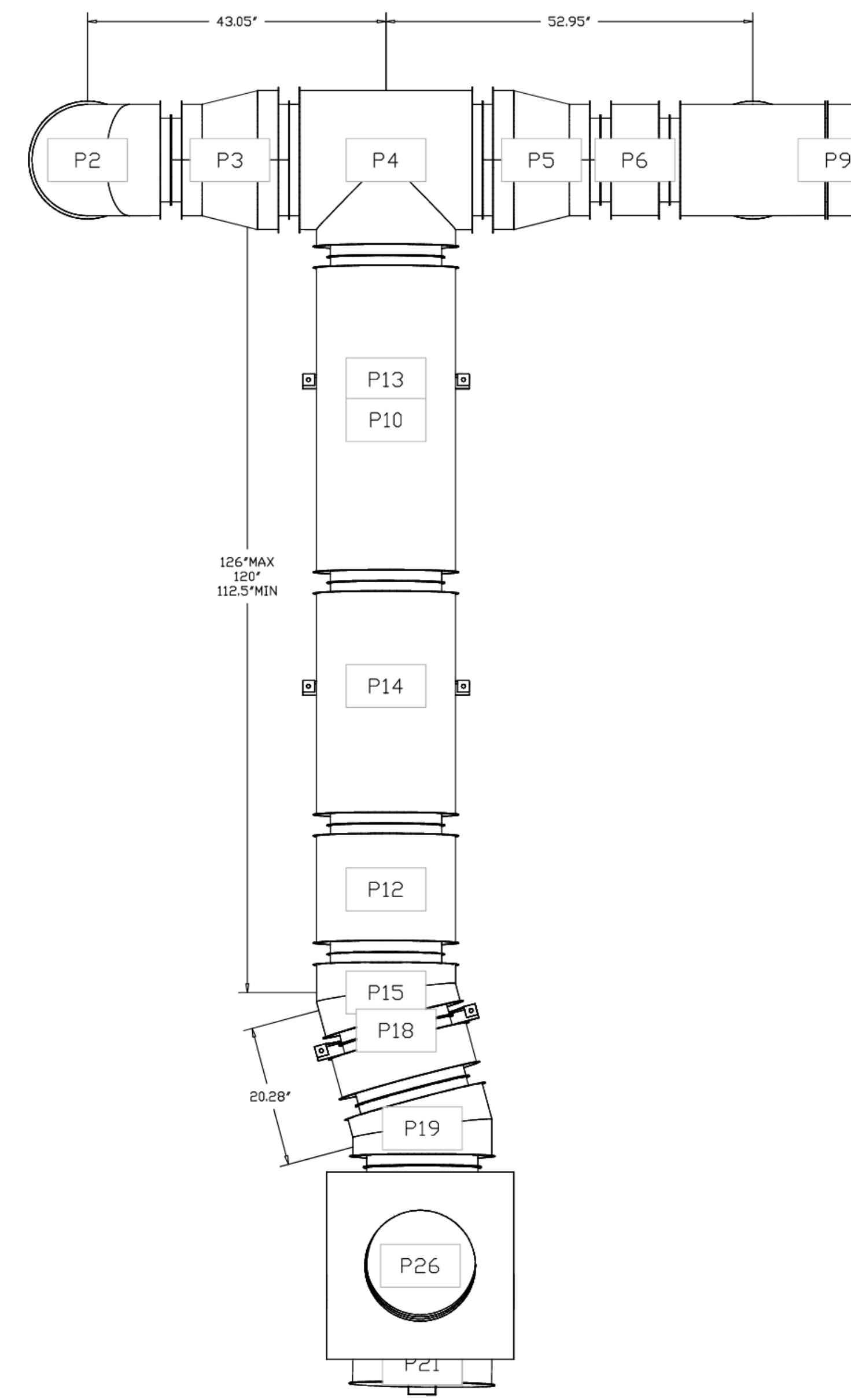
KING SOOPERS #154 - FREDERICK, CO  
13TH + COLORADO BLVD,  
FREDERICK, CO, 80220



DUCTWORK #1 SIDE VIEW



DUCTWORK #1 TOP VIEW



REVISION	DATE	DESCRIPTION
1		
2		
3		

**CAPTIVE** MECHANICAL ENGINEERS

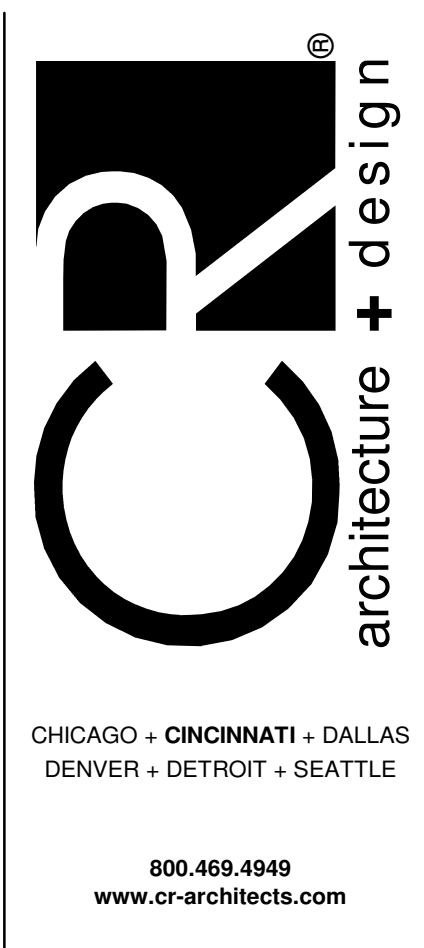
4641 Paragon Park Rd., Raleigh, NC 27616 PHONE: (919) 852-2410 FAX: 9192275948 EMAIL: mpt1@captiveinc.com

KING SOOPERS #154 - FREDERICK, CO  
13TH + COLORADO BLVD,  
FREDERICK, CO, 80220

DATE: 8/23/2023  
DRAWN BY: 6181964  
SCALE: 3/4" = 1'-0"  
MASTER DRAWING

SHEET NO. 8

THIS DOCUMENT IS THE PROPERTY OF COLE+RUSSELL ARCHITECTS, INC. WITHIN THE DOCUMENT FOR THE INFORMATION CONTAINED  
 HEREIN IS NOT TO BE REPRODUCED OR TRANSMITTED IN ANY FORM OR BY ANY MEANS, ELECTRONIC OR MECHANICAL, INCLUDING  
 PHOTOCOPYING, RECORDING, OR BY ANY INFORMATION STORAGE AND RETRIEVAL SYSTEM, WITHOUT THE WRITTEN PERMISSION OF  
 COLE+RUSSELL ARCHITECTS, INC. 10/17/23



CONSULTANTS

MECHANICAL ELECTRICAL ENGINEERS  
WWW.KLHENGINEERS.COM  
LEXINGTON, KENTUCKY  
LOUISVILLE, KENTUCKY  
COLUMBUS, OHIO

KLH ENGINEERS  
KOHRS, LONNEMANN HILL ENGINEERS, INC.  
1138 ALEXANDRIA PIKE, SUITE 11  
FT. THOMAS, KENTUCKY 41075  
859-442-8650  
859-442-8658 FAX



ISSUE/REVISION	DATE	DESCRIPTION
08/31/2023	90% OWNER REVIEW	
10/17/2023	BID/PERMIT ISSUE	

PROJECT TITLE  
KING SOOPERS  
KS154

HWY 52 & COLORADO BLVD  
FREDERICK, CO 80643

COMMISSION NO. 522401  
ISSUE DATE 10/17/23  
SHEET TITLE  
HVAC SECTIONS  
AND DETAILS

SHEET NO.  
**M3.1.8**

© 2022 Cole+Russell Architects, Inc.

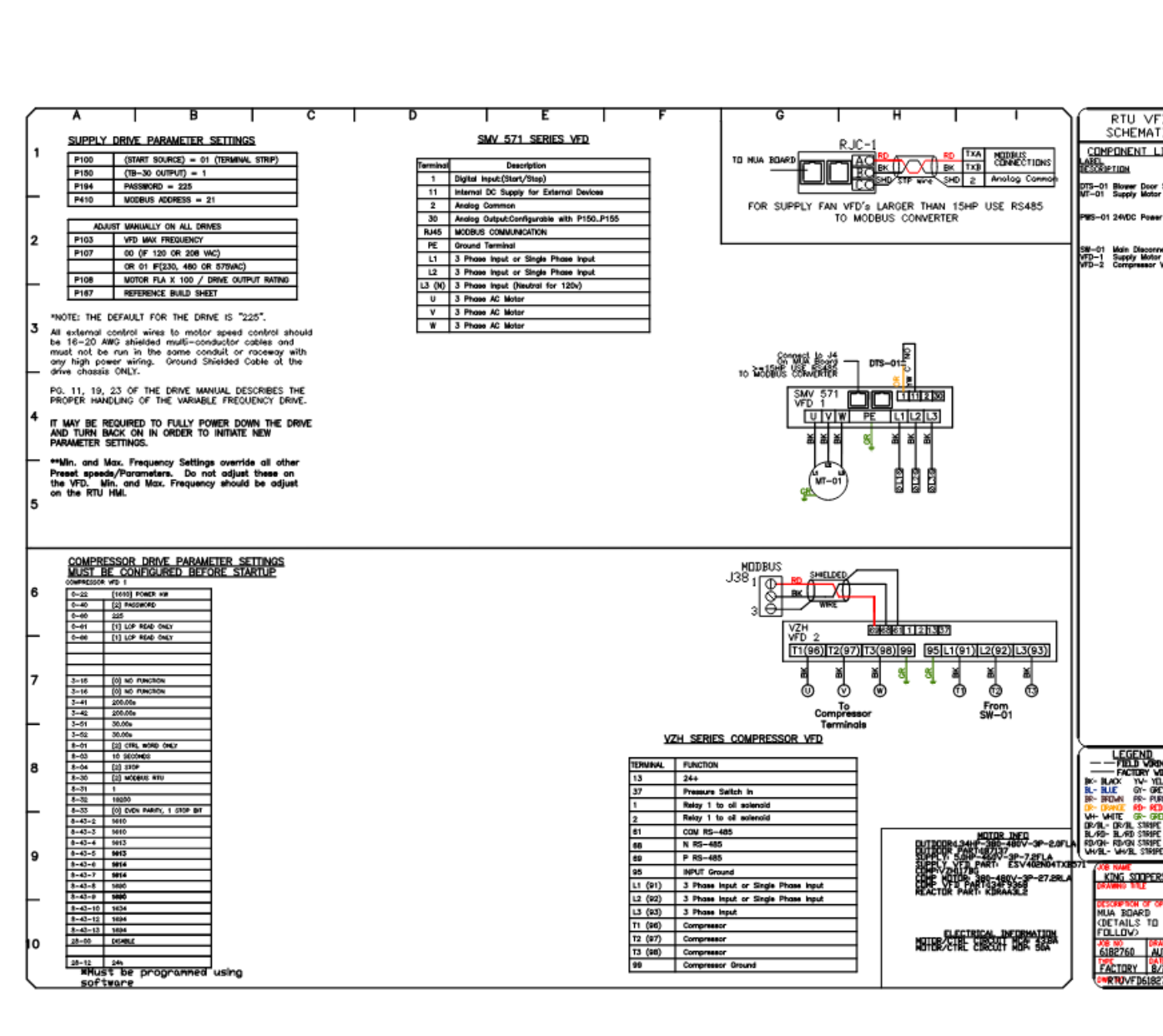
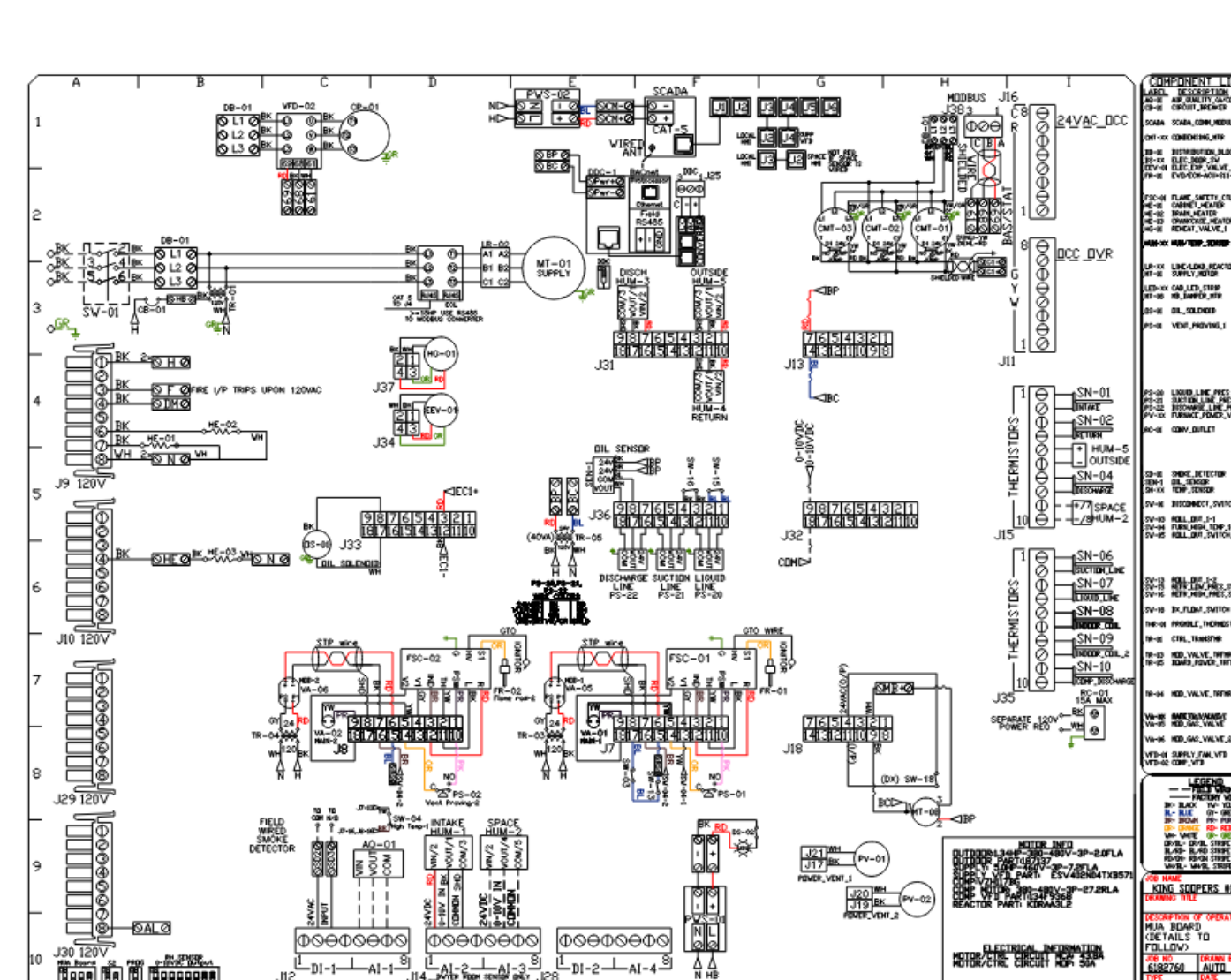
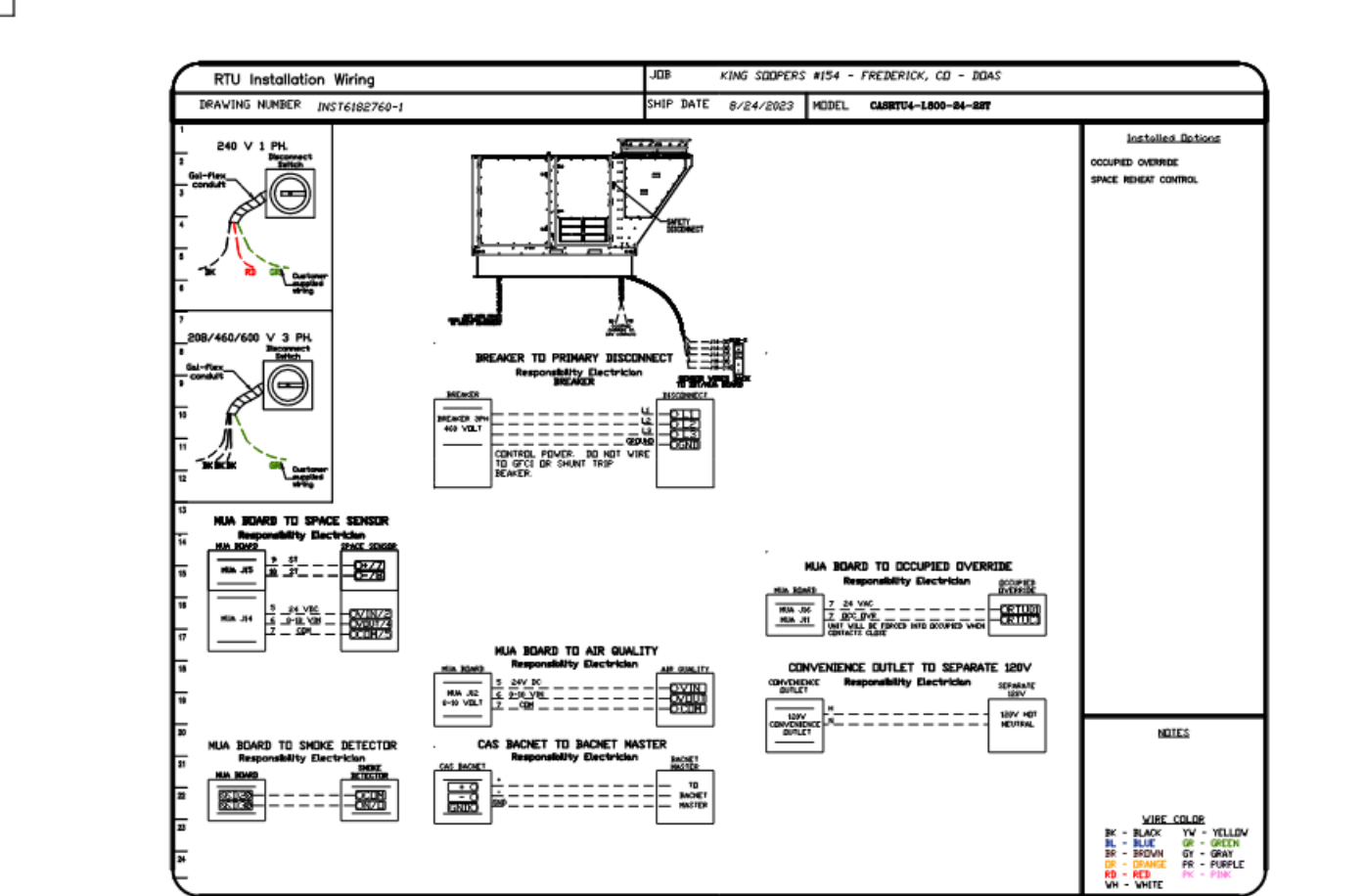
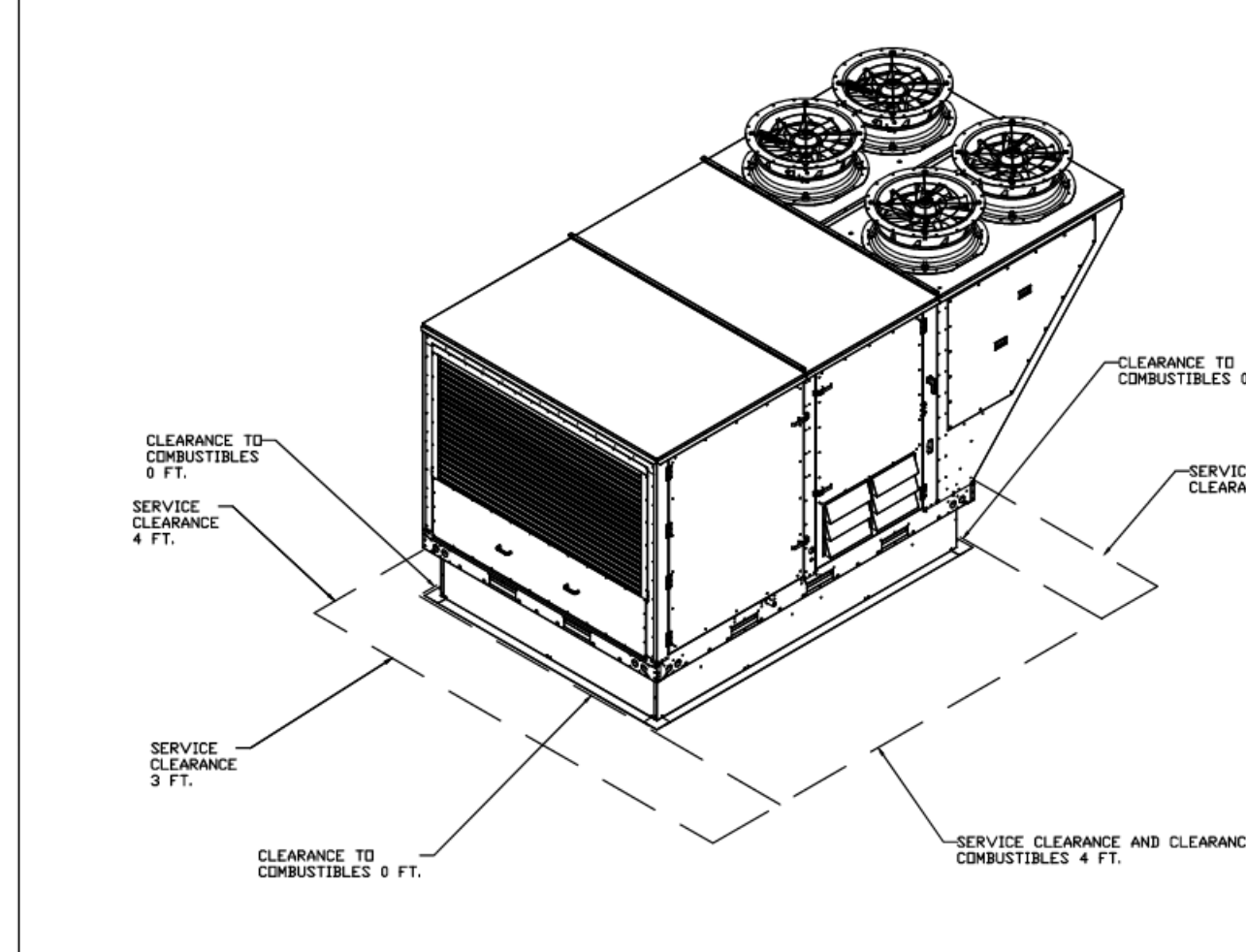
DOAS/RTU FAN SCHEDULE - JOB#6182760																																																																							
FAN UNIT NO.	TAG	QTY	DOAS/RTU MODEL #	MANUFACTURER	BLOWERS	RETURN AIR CFM	MAX TOTAL AIR CFM	TOTAL WEIGHT (LBS)	ESP	HP	ELECTRICAL INFORMATION										CAPACITY										DISCHARGE										MOISTURE REMOVAL										GAS INPUT										GAS HEAT INFORMATION										NOTES
											VOLTS	HCA	CODED AS	LEAVING AIR	SEER	ZONE	DISCHARGE RATE	DISCHARGE CAPACITY	MOISTURE REMOVAL RATE	GAS TYPE	INPUT BTU/H	OUTPUT BTU/H	TEMP RISE	REQUIRED INPUT GAS PRESSURE																																															
1	DOAS-1	1	CARTU14-1800-24-02T	CAPTIVEARE	24P-4	0	6050	4266	0.500	5.00	3	460	433A	504V	60.0V	60.0V	41.7V	39.5V	37.4V	2700	MM	2700	MM	31	70.0V	57.9V	36.4	MM	260	MM	0	LBS/HR	NATURAL	609973	494076	BOF	7	IN. W.C.	14	IN. W.C.	2,3,4,5,6,7,8,9,10,11,12,13,14,15,16,17																														
2	DOAS-2	1	CARTU14-1800-24-02T	CAPTIVEARE	24P-4	0	6050	4267	0.500	5.00	3	460	433A	504V	60.0V	60.0V	41.7V	39.5V	37.4V	2700	MM	2700	MM	31	70.0V	57.9V	36.4	MM	260	MM	0	LBS/HR	NATURAL	609973	494076	BOF	7	IN. W.C.	14	IN. W.C.	2,3,4,5,6,7,8,9,10,11,12,13,14,15,16,17																														

**FAN OPTIONS**

FAN UNIT NO.	TAG	QTY	DESCRIPTION
1	DOAS-1	1	INLET PRESSURE GAUGE, 0-30"
1	DOAS-1	1	INLET PRESSURE GAUGE, 0 TO 30" W.C., 2 FURANCES
1	DOAS-1	1	RTU TOTAL CFM MONITORING
1	DOAS-1	1	SNP LOSS GAS STANDER 1"
1	DOAS-1	1	SINGLE POINT ELECTRICAL CONNECTION FOR RTU 170VA TRANSFORMER USED, IF A NON-DCV PREVIEW CONTROL IS NOT THE BUILT IN RTU OR IF PREVIEW OPTION MUST BE SELECTED DOES NOT PROVIDE SUPPLY STARTER IN PREVIEW
1	DOAS-1	1	DOAS/RTU CONTROL
1	DOAS-1	1	CASLOW BUILDING MONITORING SYSTEM - INTERNET OR CELLULAR CONNECTION REQUIRED
1	DOAS-1	1	RTU DOWN DISCHARGE
1	DOAS-1	1	8" HEAVY B FILTERS FOR RTU (QTY: 12)
1	DOAS-1	1	OVERHEAT STAT
1	DOAS-1	1	VFB FACTORY MONITOR AND WIRED IN RTU COMMERCIAL CONTROL VENTILATE
1	DOAS-1	1	SPECIAL SHIFTERS FOR 3" HEATERS ABOVE 2300
1	DOAS-1	1	32 TON MODULATING COILING OPTION, 440/480V, 3QFS, 9435A REFRIGERANT, VARIABLE
1	DOAS-1	1	REMOTE TEMPERATURE AND HUMIDITY SPACE SENSOR
1	DOAS-1	1	COMMERCIAL SMOKE DETECTOR/ALARM INTERLOCK - ALARM SUPPLIED BY OTHERS
1	DOAS-1	1	100 WTR BACKET RESET UNIT MONITORING - ALLOWS FOR REMOTE SDC OCCUPIED DIVERSIFY AND SETPOINT CHANGES
1	DOAS-1	1	AUXILIARY HEAT
1	DOAS-1	1	OCCUPIED SCHEDULING
1	DOAS-1	1	RTU CONVENIENCE DUCTILE (QTY: 12) 15 AMP - REQUIRES SEPARATE 10V CONNECTION
1	DOAS-1	1	INCLUDES RECEPTACLE, COVER AND J-BOX
1	DOAS-1	1	RTU MAIL ROOMS
1	DOAS-1	1	PRELSTAT
1	DOAS-1	1	VAV PACKAGE W/ MANUAL SDC CONTROL (QTY: VFB INCLUDED)
1	DOAS-1	1	LOAD REACTOR HEATER 100V - RECOMMENDED FOR WINTER DESIGN TEMPERATURES LESS THAN 40°
1	DOAS-1	1	CONTROL PANEL ENCLOSURE HEATER 100V - RECOMMENDED FOR WINTER DESIGN TEMPERATURES LESS THAN 40°
1	DOAS-1	1	RTU HEATES FURNACE CONDENSATE DRAIN KIT - REQUIRED FOR WINTER DESIGN TEMP OF 2 DEGREE F AND LOWER
1	DOAS-1	1	RTU INTAKE/RETURN ZAMPER - ON PERCENTAGE CONTROL
1	DOAS-1	1	RTU DOWN RETURN
1	DOAS-1	1	RTU ECONOMIZER - DIFFERENTIAL ENTHALPY CONTROL
1	DOAS-1	1	RTU ECONOMIZER BAKEMATIC MELT
1	DOAS-1	1	TEMPERATURE CONTROL - CO2 MINIMUM DIVERSIFY SETPOINT
1	DOAS-1	1	32 TON MODULATING HEAT OPTION - SPACE PREVIEW CONTROL
1	DOAS-1	1	5 YEAR ENTIRE UNIT PARTS WARRANTY, 10 YEAR MOTOR UNIT PARTS WARRANTY WITH REMOTE MONITORING AND CAPTIVEARE SERVICE CONTRACT, 25 YEAR STAINLESS STEEL FURNACE PARTS WARRANTY (SEE ADDITIONAL DETAILS)

**DOAS/RTU BACnet Points List - JOB#6182760**

BACnet ID	LDN SVNT Name	Function	BACnet ID	LDN SVNT Name	Function
100	nv00000001	Control/Monitor	100	nv00000001	Control/Monitor
101	nv00000002	Control/Monitor	101	nv00000002	Control/Monitor
102	nv00000003	Control/Monitor	102	nv00000003	Control/Monitor
103	nv00000004	Control/Monitor	103	nv00000004	Control/Monitor
104	nv00000005	Control/Monitor	104	nv00000005	Control/Monitor
105	nv00000006	Control/Monitor	105	nv00000006	Control/Monitor
106	nv00000007	Control/Monitor	106	nv00000007	Control/Monitor
107	nv00000008	Control/Monitor	107	nv00000008	Control/Monitor
108	nv00000009	Control/Monitor	108	nv00000009	Control/Monitor
109	nv00000010	Control/Monitor	109	nv00000010	Control/Monitor
110	nv00000011	Control/Monitor	110	nv00000011	Control/Monitor
111	nv00000012	Control/Monitor	111	nv00000012	Control/Monitor
112	nv00000013	Control/Monitor	112	nv00000013	Control/Monitor
113	nv00000014	Control/Monitor	113	nv00000014	Control/Monitor
114	nv00000015	Control/Monitor	114	nv00000015	Control/Monitor
115	nv00000016	Control/Monitor	115	nv00000016	Control/Monitor
116	nv00000017	Control/Monitor	116	nv00000017	Control/Monitor
117	nv00000018	Control/Monitor	117	nv00000018	Control/Monitor
118	nv00000019	Control/Monitor	118	nv00000019	Control/Monitor
119	nv00000020	Control/Monitor	119	nv00000020	Control/Monitor
120	nv00000021	Control/Monitor	120	nv00000021	Control/Monitor
121	nv00000022	Control/Monitor	121	nv00000022	Control/Monitor
122	nv00000023	Control/Monitor	122	nv00000023	Control/Monitor
123	nv00000024	Control/Monitor	123	nv00000024	Control/Monitor
124	nv00000025	Control/Monitor	124	nv00000025	Control/Monitor
125	nv00000026	Control/Monitor	125	nv00000026	Control/Monitor
126	nv00000027	Control/Monitor	126	nv00000027	Control/Monitor
127	nv00000028	Control/Monitor	127	nv00000028	Control/Monitor
128	nv00000029	Control/Monitor	128	nv00000029	Control/Monitor
129	nv00000030	Control/Monitor	129	nv00000030	Control/Monitor
130	nv00000031	Control/Monitor	130	nv00000031	Control/Monitor
131	nv00000032	Control/Monitor	131	nv00000032	Control/Monitor
132	nv00000033	Control/Monitor	132	nv00000033	Control/Monitor
133	nv00000034	Control/Monitor	133	nv00000034	Control/Monitor
134	nv00000035	Control/Monitor	134	nv00000035	Control/Monitor
135	nv00000036	Control/Monitor	135	nv00000036	Control/Monitor
136	nv00000037	Control/Monitor	136	nv00000037	Control/Monitor
137	nv00000038	Control/Monitor	137	nv00000038	Control/Monitor
138	nv00000039	Control/Monitor	138	nv00000039	Control/Monitor
139	nv00000040	Control/Monitor	139	nv00000040	Control/Monitor
140	nv00000041	Control/Monitor	140	nv00000041	Control/Monitor
141	nv00000042	Control/Monitor	141	nv00000042	Control/Monitor
142	nv00000043	Control/Monitor	142	nv00000043	Control/Monitor
143	nv00000044	Control/Monitor	143	nv00000044	Control/Monitor
144	nv00000045	Control/Monitor	144	nv00000045	Control/Monitor
145	nv00000046	Control/Monitor	145	nv00000046	Control/Monitor
146	nv00000047	Control/Monitor	146	nv00000047	Control/Monitor
147	nv00000048	Control/Monitor	147	nv00000048	Control/Monitor
148	nv00000049	Control/Monitor	148	nv00000049	Control/Monitor
149	nv00000050	Control/Monitor	149	nv00000050	Control/Monitor
150	nv00000051	Control/Monitor	150	nv00000051	Control/Monitor
151	nv00000052	Control/Monitor	151	nv00000052	Control/Monitor
152	nv00000053	Control/Monitor	152	nv00000053	Control/Monitor
153	nv00000054	Control/Monitor	153	nv00000054	Control/Monitor
154	nv00000055	Control/Monitor	154	nv00000055	Control/Monitor
155	nv00000056	Control/Monitor	155	nv00000056	Control/Monitor
156	nv00000057	Control/Monitor	156	nv00000057	Control/Monitor
157	nv00000058	Control/Monitor	157	nv00000058	Control/Monitor
158	nv00000059	Control/Monitor	158	nv00000059	Control/Monitor
159	nv00000060	Control/Monitor	159	nv00000060	Control/Monitor
160	nv00000061	Control/Monitor	160	nv00000061	Control/Monitor
161	nv00000062	Control/Monitor	161	nv00000062	Control/Monitor
162	nv00000063	Control/Monitor	162	nv00000063	Control/Monitor
163	nv00000064	Control/Monitor	163	nv00000064	Control/Monitor
164	nv00000065	Control/Monitor	164	nv00000065	Control/Monitor
165	nv00000066	Control/Monitor	165	nv00000066	Control/Monitor
166	nv00000067	Control/Monitor	166	nv00000067	Control/Monitor
167	nv00000068	Control/Monitor	167	nv00000068	Control/Monitor
168	nv00000069	Control/Monitor	168	nv00000069	Control/Monitor
169	nv00000070	Control/Monitor	169	nv00000070	Control/Monitor
170	nv00000071	Control/Monitor	170	nv00000071	Control/Monitor
171	nv00000072	Control/Monitor	171	nv00000072	Control/Monitor
172	nv00000073	Control/Monitor	172	nv00000073	Control/Monitor
173	nv00000074	Control/Monitor	173	nv00000074	Control/Monitor
174	nv00000075	Control/Monitor	174	nv00000075	Control/Monitor
175	nv00000076	Control/Monitor	175	nv00000076	Control/Monitor
176	nv00000077	Control/Monitor	176	nv00000077	Control/Monitor
177	nv00000078	Control/Monitor	177	nv00000078	Control/Monitor
178	nv00000079	Control/Monitor	178	nv00000079	Control/Monitor
179	nv00000080	Control/Monitor	179	nv00000080	Control/Monitor
180	nv00000081	Control/Monitor	180	nv00000081	Control/Monitor
181	nv00000082	Control/Monitor	181	nv00000082	Control/Monitor
182	nv00000083	Control/Monitor	182	nv00000083	Control/Monitor
183	nv00000084	Control/Monitor	183	nv00000084	Control/Monitor
184	nv00000085	Control/Monitor	184	nv00000085	Control/Monitor
185	nv00000086	Control/Monitor	185	nv00000086	Control/Monitor
186	nv00000087	Control/Monitor	186	nv00000087	Control/Monitor
187	nv00000088	Control/Monitor	187	nv00000088	Control/Monitor
188	nv00000089	Control/Monitor	188	nv00000089	Control/Monitor
189	nv00000090	Control/Monitor	189	nv00000090	Control/Monitor
190	nv00000091	Control/Monitor	190	nv00000091	Control/Monitor
191	nv00000092	Control/Monitor	191	nv00000092	Control/Monitor
192	nv00000093	Control/Monitor	192	nv00000093	Control/Monitor
193	nv00000094	Control/Monitor	193	nv00000094	Control/Monitor
194	nv00000095	Control/Monitor	194	nv00000095	Control/Monitor
195	nv00000096	Control/Monitor	195	nv00000096	Control/Monitor
196	nv00000097	Control/Monitor	196	nv00000097	Control/Monitor
197	nv00000098	Control/Monitor	197	nv00000098	Control/Monitor
198	nv00000099	Control/Monitor	198	nv00000099	Control/Monitor
199	nv00000100	Control/Monitor	199	nv00000100	Control/Monitor
200	nv00000101	Control/Monitor	200	nv00000101	Control/Monitor



**REVISIONS**

NO.	DESCRIPTION	DATE
1		
2		
3		
4		
5		
6		
7		
8		
9		
10		
11		
12		
13		
14		
15		
16		
17		
18		
19		
20		

**CAPTIVEARE**

**National Accounts**

4641 Paragon Park, Raleigh, NC 27616 PHONE: (919) 859-3410 FAX: 91922275948 EMAIL: rep1@captiveare.com

**REVISIONS**

DATE: 8/24/2023

DWG.#: 6182760

**DRAWN BY:**

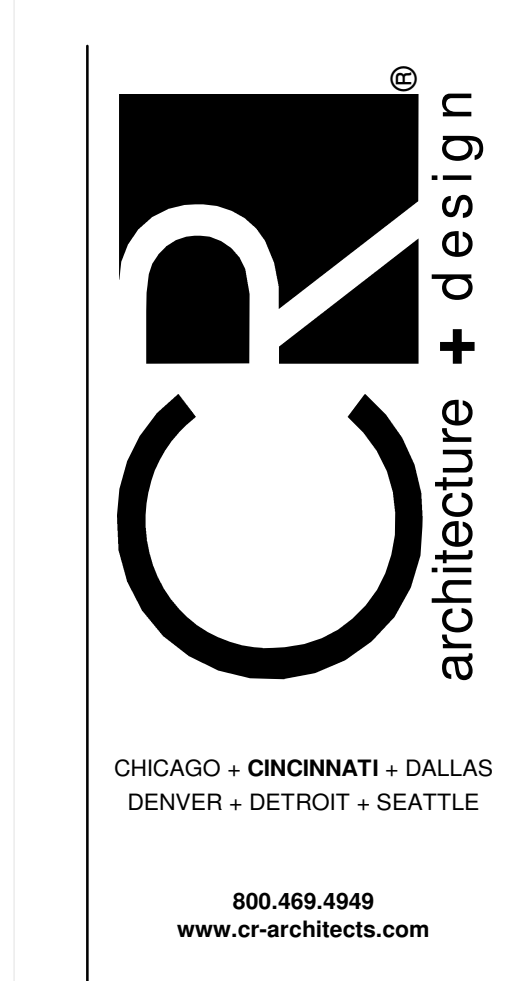
SCALE: 1/2" = 1'-0"

**MASTER DRAWING**

**SHEET NO.**

1

KING SOOPERS #154 - FREDERICK, CO - IDAS  
13TH + COLORADO BLVD,  
FREDERICK, CO, 80220



CHICAGO + CINCINNATI + DALLAS  
DENVER + DETROIT + SEATTLE

800.469.4949  
www.crarchitects.com

CONSULTANTS

MECHANICAL/ELECTRICAL ENGINEERS  
WWW.KLHENGINEERS.COM  
LEWINGTON, KENTUCKY  
LOUISVILLE, KENTUCKY  
COLUMBUS, OHIO

**KLH ENGINEERS**  
KOHRS, LONEMANN, HELL, ENGINEERS, INC.  
1538 ALEXANDRIA PIKE, SUITE 111  
FT. THOMAS, KENTUCKY 41075  
859.442.8098 FAX  
859.442.8098 FAX



**ISSUE/REVISION**

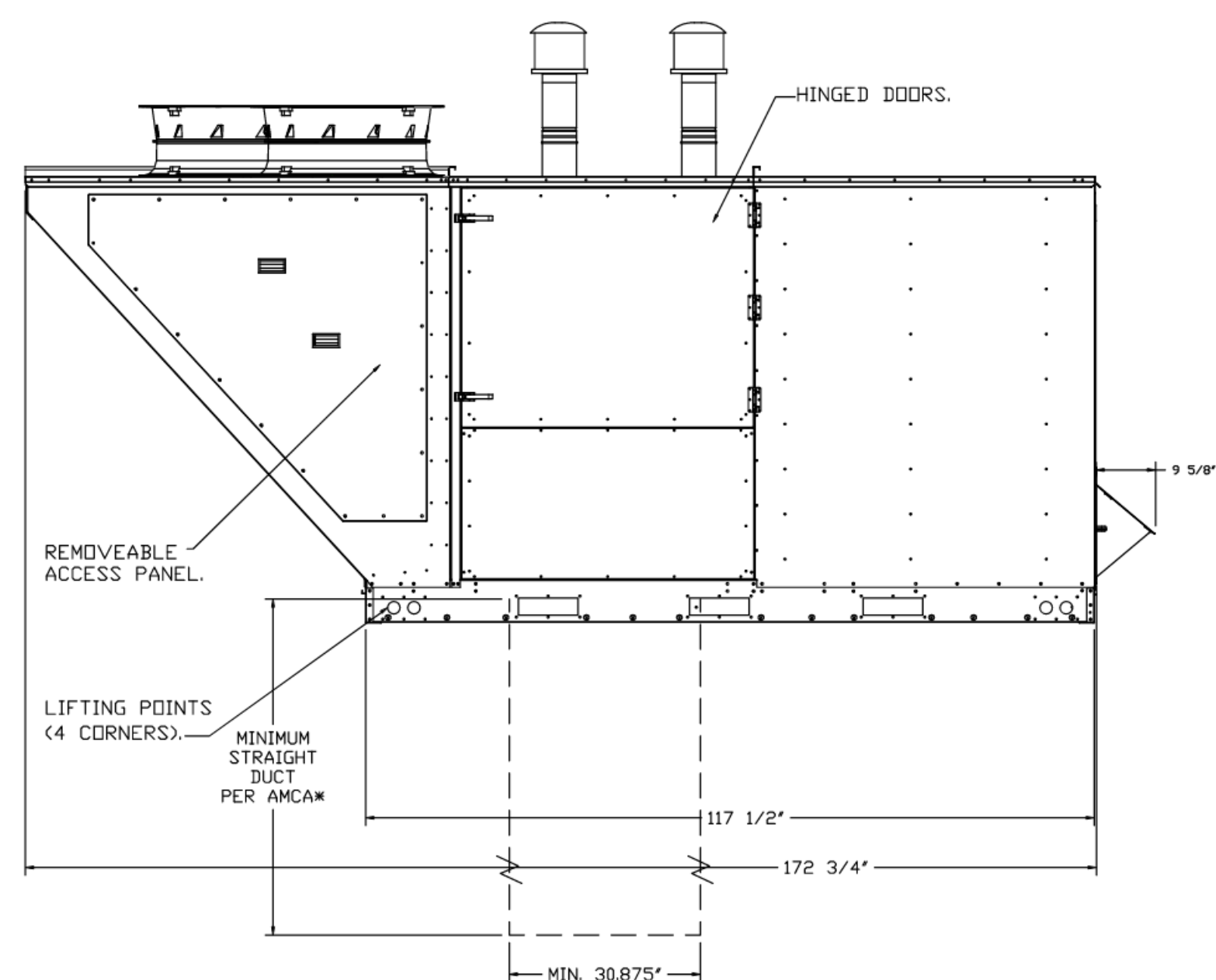
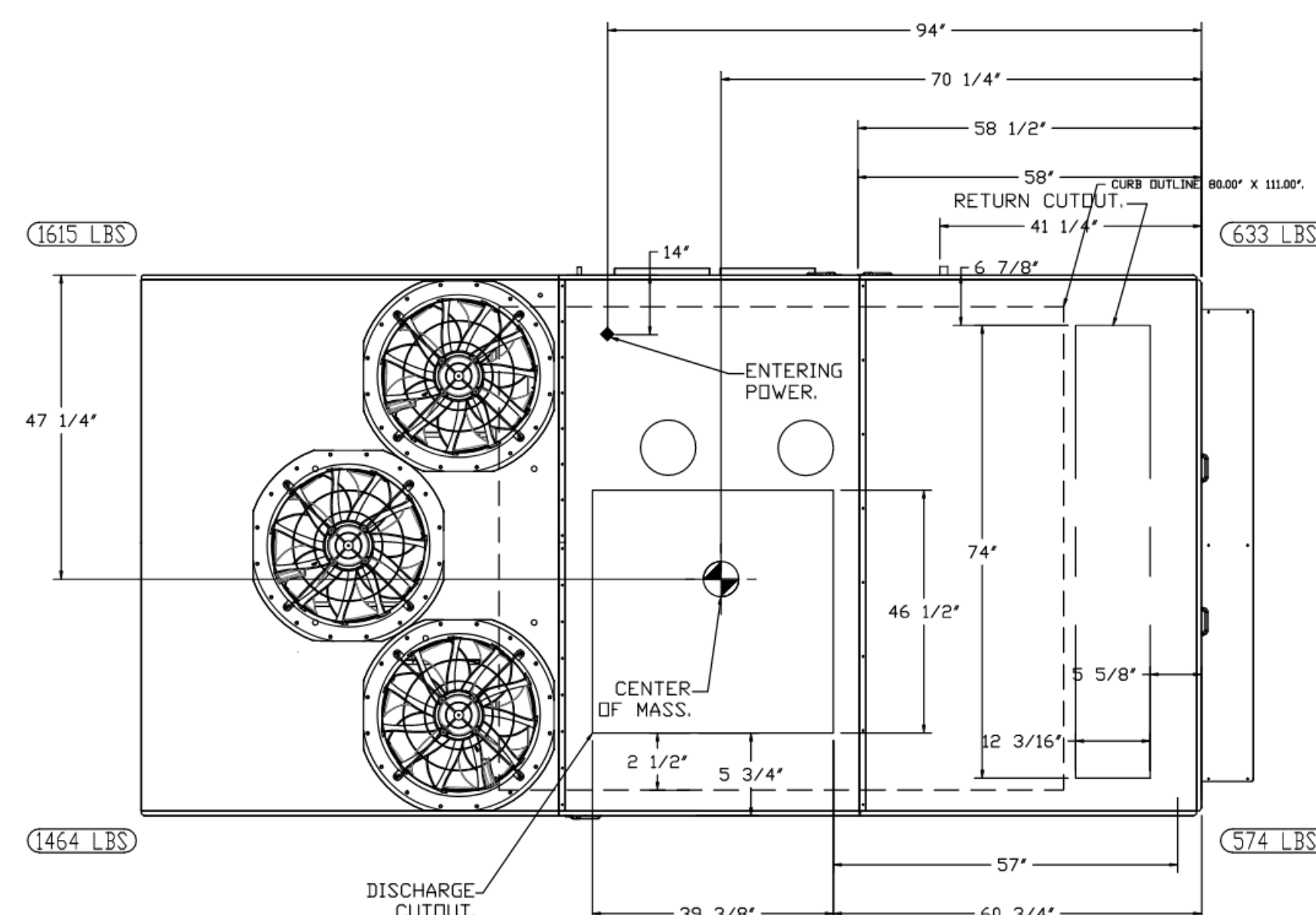
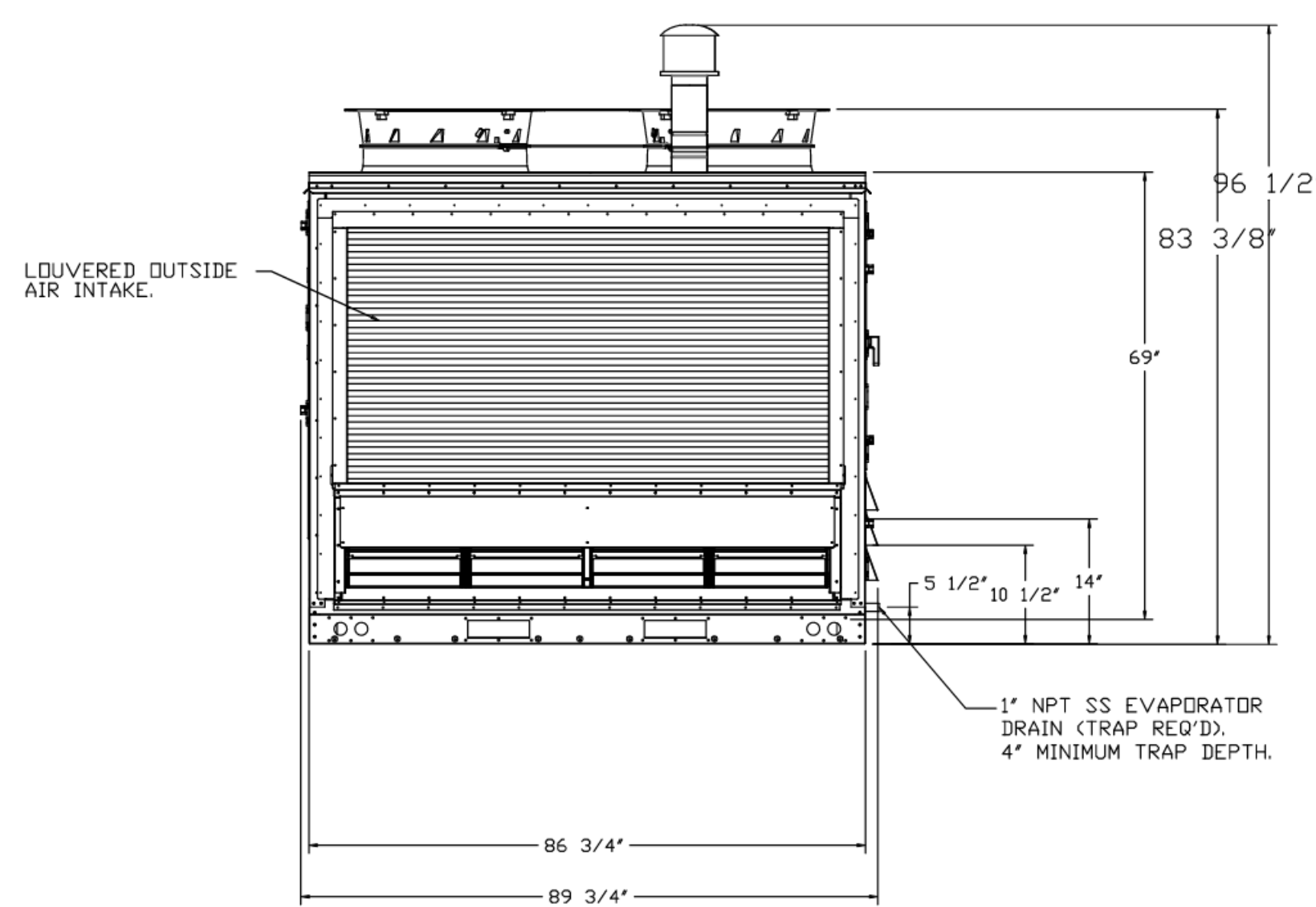
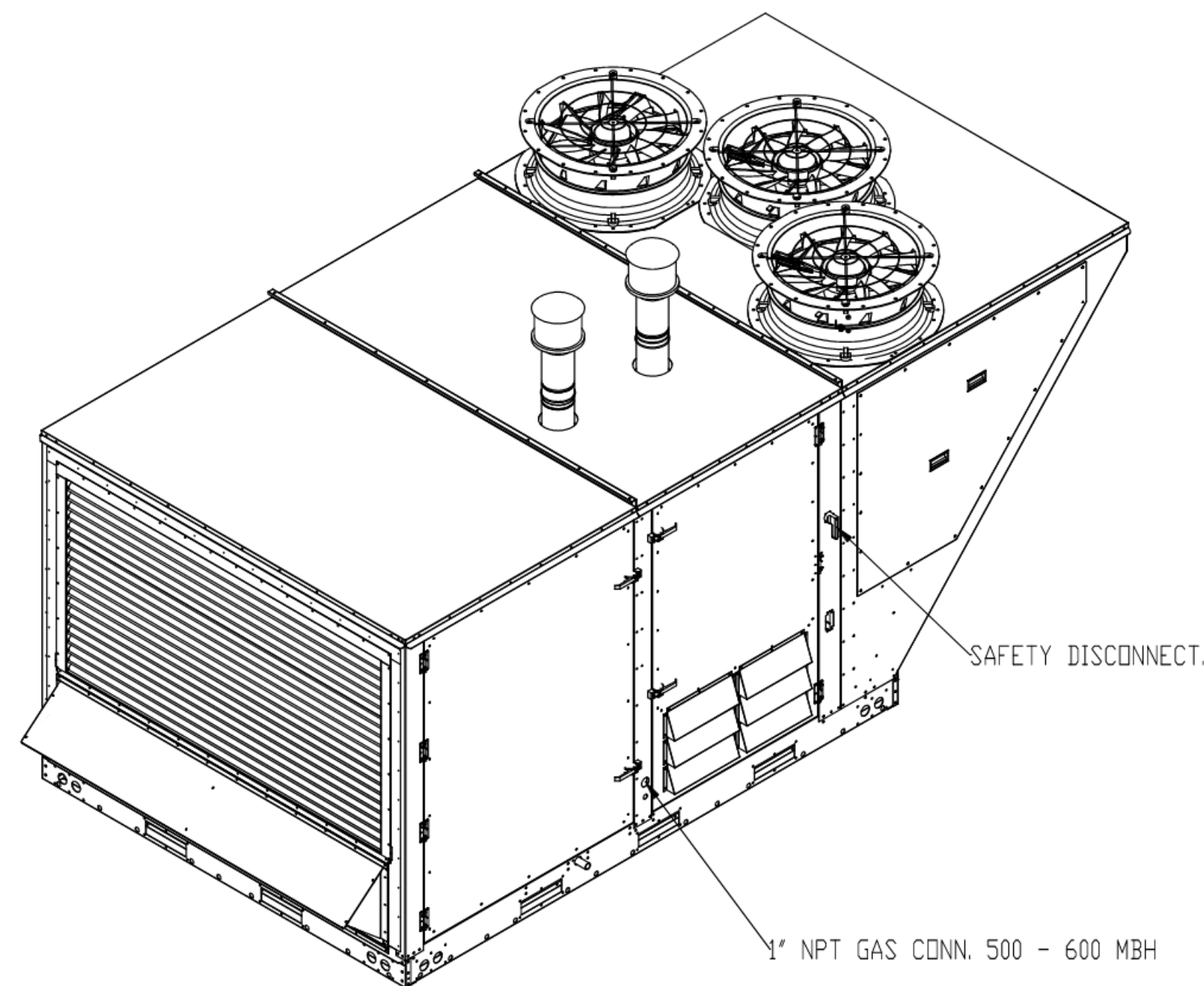
DATE	DESCRIPTION

FAN #1 (DDAS-1), FAN #2 (DDAS-2) CASRTU4-1800-24-22T - HEATER

NOTES:

- DO NOT OBSTRUCT OUTSIDE AIR INLET, OUTSIDE AIR COIL OR OUTSIDE AIR FAN.
- DENOTES CORNER WEIGHT.

NOTE: SUPPLY DUCT MUST BE INSTALLED TO MEET SMACNA STANDARDS. A MINIMUM STRAIGHT DUCT LENGTH MUST BE MAINTAINED DOWNSTREAM OF UNIT DISCHARGE AS OUTLINED IN AMCA PUBLICATION 201. WHEN USING RECTANGULAR DUCTWORK, ELBOWS MUST BE RADIUS THROAT, RADIUS BACK WITH TURNING VANES. FLEXIBLE DUCTWORK AND SQUARE THROAT/SQUARE BACK ELBOWS SHOULD NOT BE USED. ANY TRANSITION AND/OR TURNS IN THE DUCTWORK WILL CAUSE SYSTEM EFFECT. SYSTEM EFFECT WILL DRASTICALLY INCREASE STATIC PRESSURE AND REDUCE AIRFLOW. DO NOT RELY ON UNIT TO SUPPORT DUCT IN ANY WAY. FAILURE TO PROPERLY SIZE DUCTWORK MAY CAUSE SYSTEM EFFECTS AND REDUCE PERFORMANCE OF THE EQUIPMENT. SUGGESTED STRAIGHT DUCT SIZE IS 30.875" x 39.75".



REVISIONS

NO.	DESCRIPTION	DATE
1		
2		
3		
4		

**CAPTIVE**  
National Accounts  
4641 Paragon Park Rd., Raleigh, NC 27616 PHONE: (919) 852-2410 FAX: 9192275948 EMAIL: nrg15@captivair.com

KING SOOPERS #154 - FREDERICK, CO - DDAS  
13TH + COLORADO BLVD,  
FREDERICK, CO, 80220

DATE: 8/24/2023

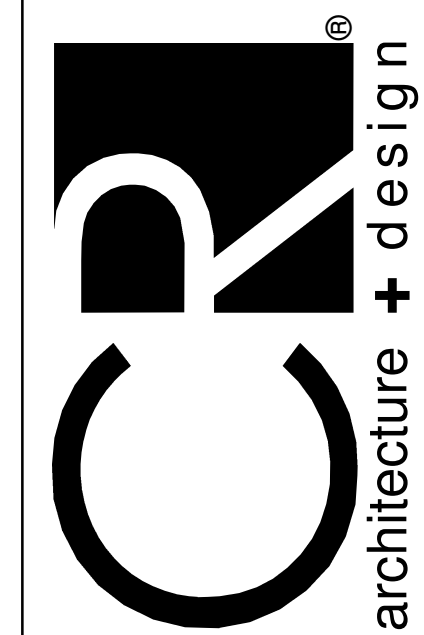
DWG.#:  
6182760

DRAWN BY:

SCALE:  
1/2" = 1'-0"

MASTER DRAWING

SHEET NO.  
2



CHICAGO • CINCINNATI • DALLAS  
DENVER • DETROIT • SEATTLE  
800.469.4949  
www.crarchitects.com

CONSULTANTS

MECHANICAL/ELECTRICAL ENGINEERS  
WWW.KLHENGINEERS.COM  
LEXINGTON, KENTUCKY  
LOUISVILLE, KENTUCKY  
COLUMBUS, OHIO

KLH ENGINEERS  
KOHRS, LONNEMANN HEIL ENGINEERS, INC.  
1138 ALEXANDRIA PIKE, SUITE 111  
FT. THOMAS, KENTUCKY 41075  
938-442-8650  
938-442-8658 FAX

OWNER



ISSUE/REVISION

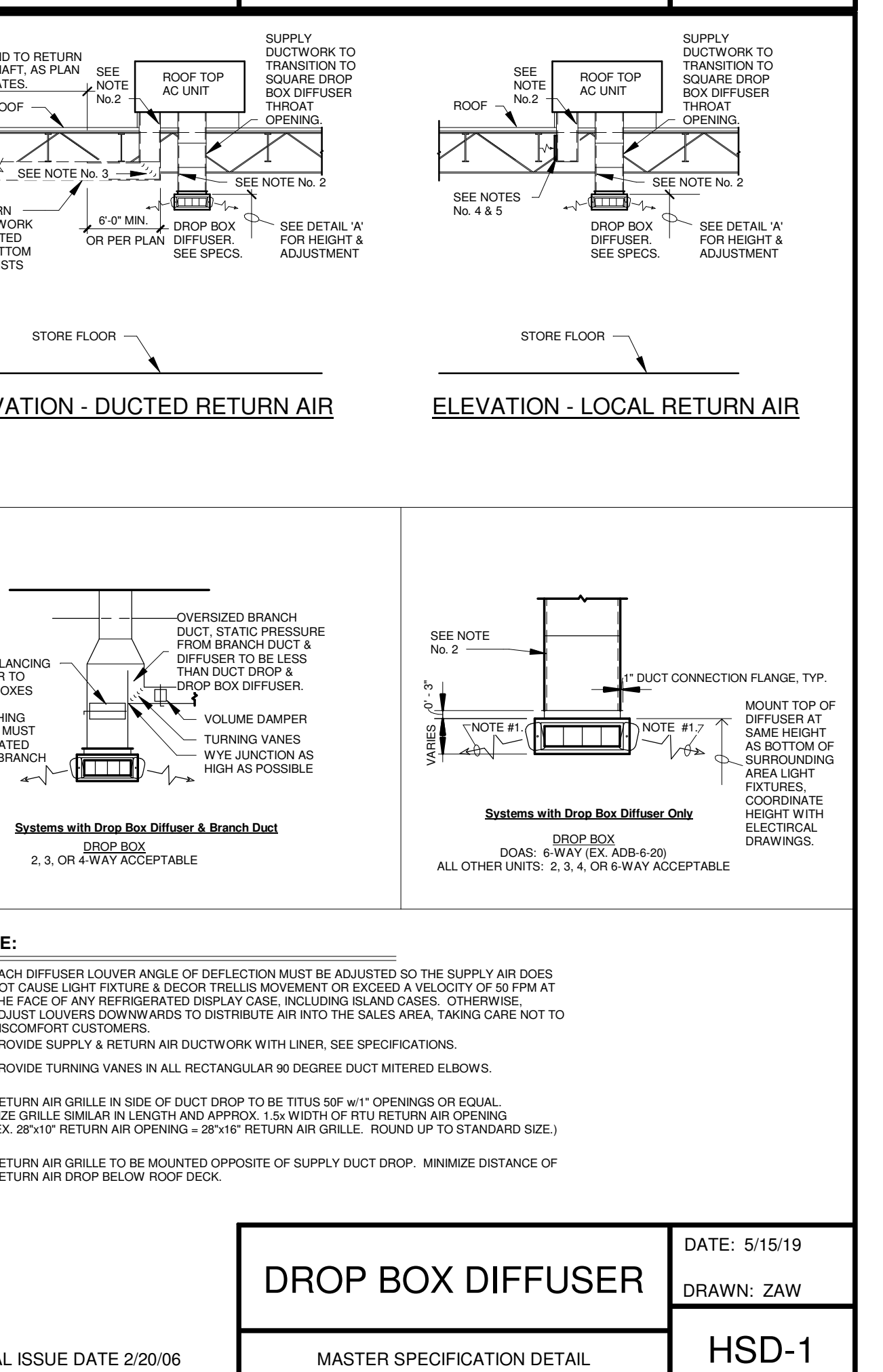
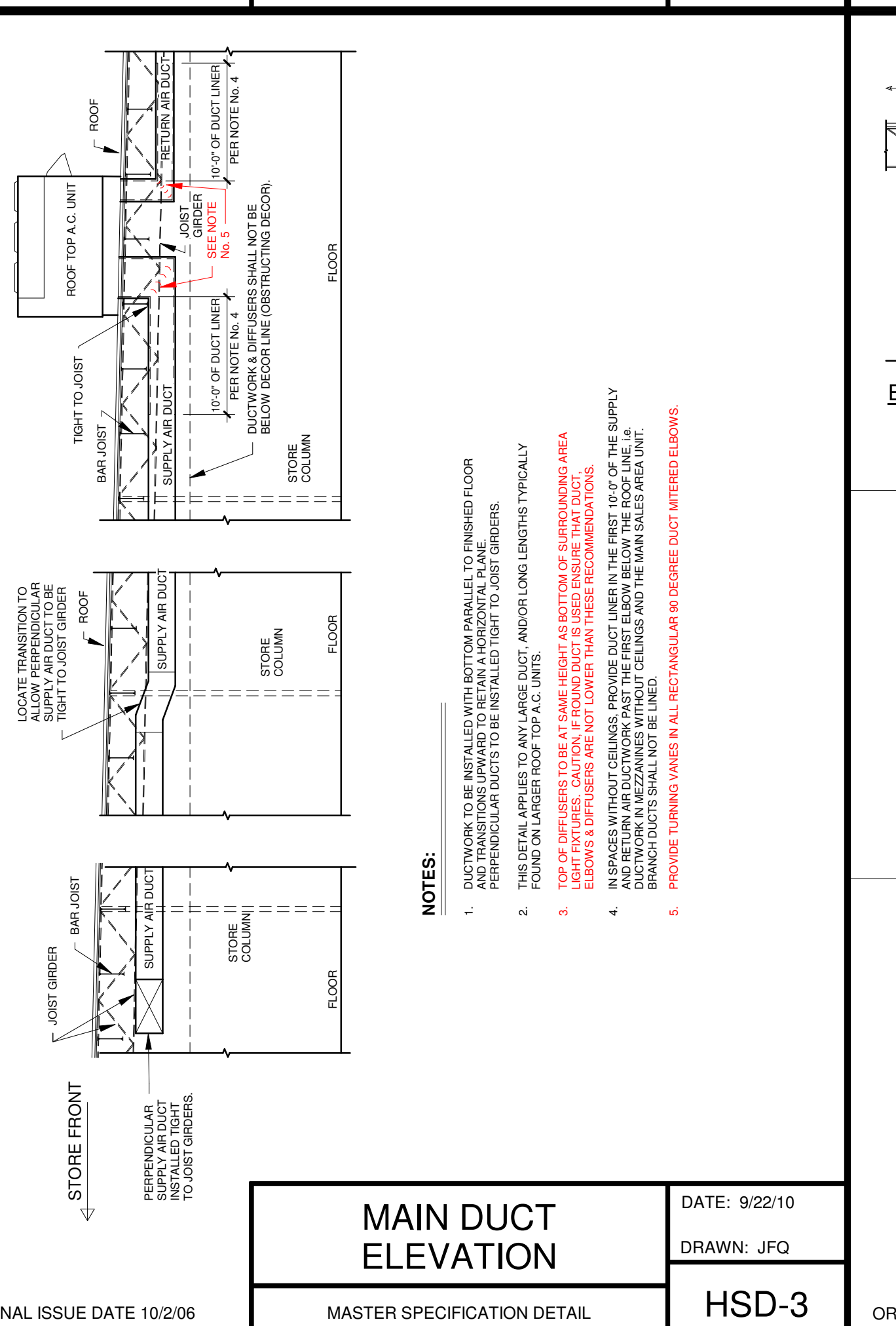
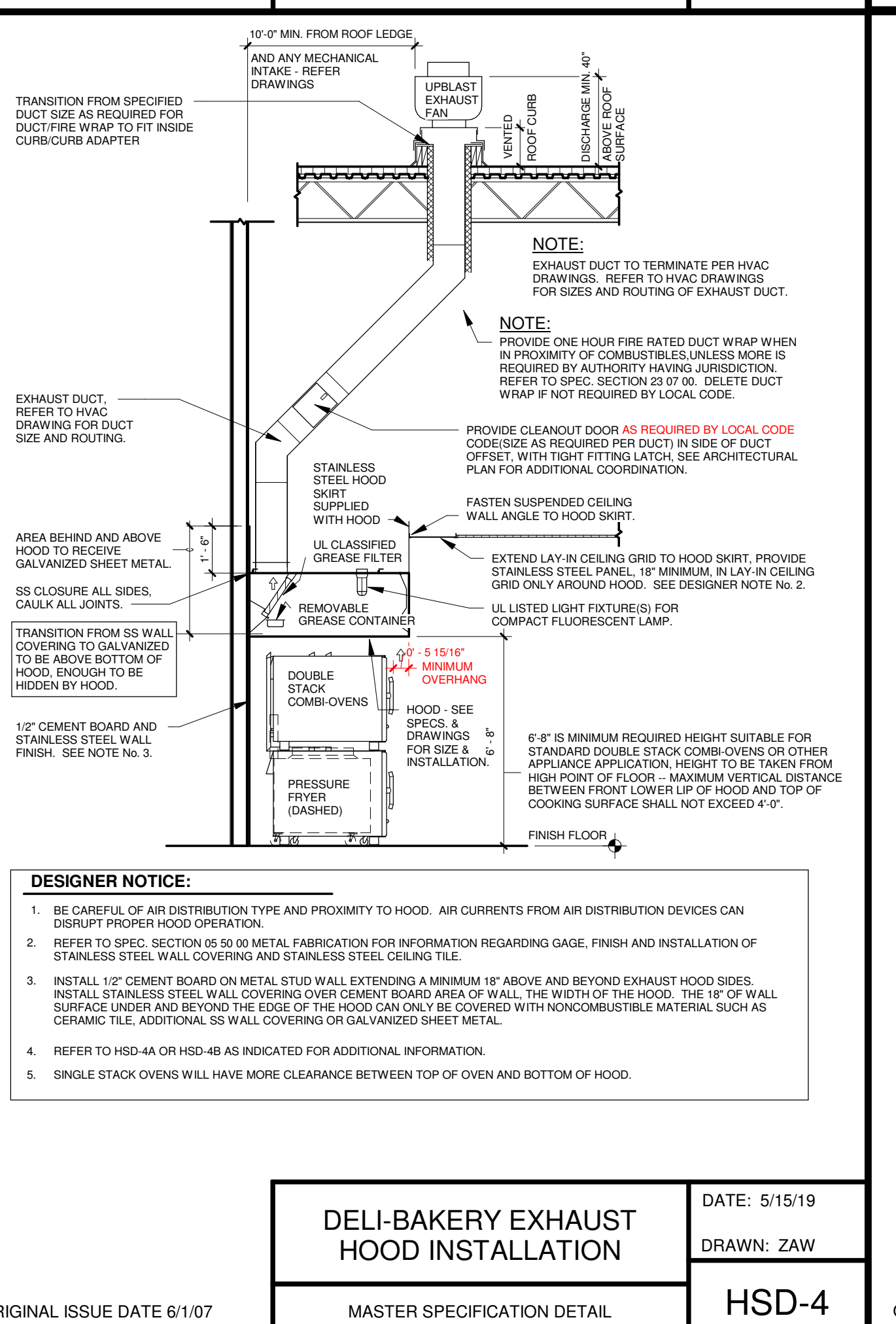
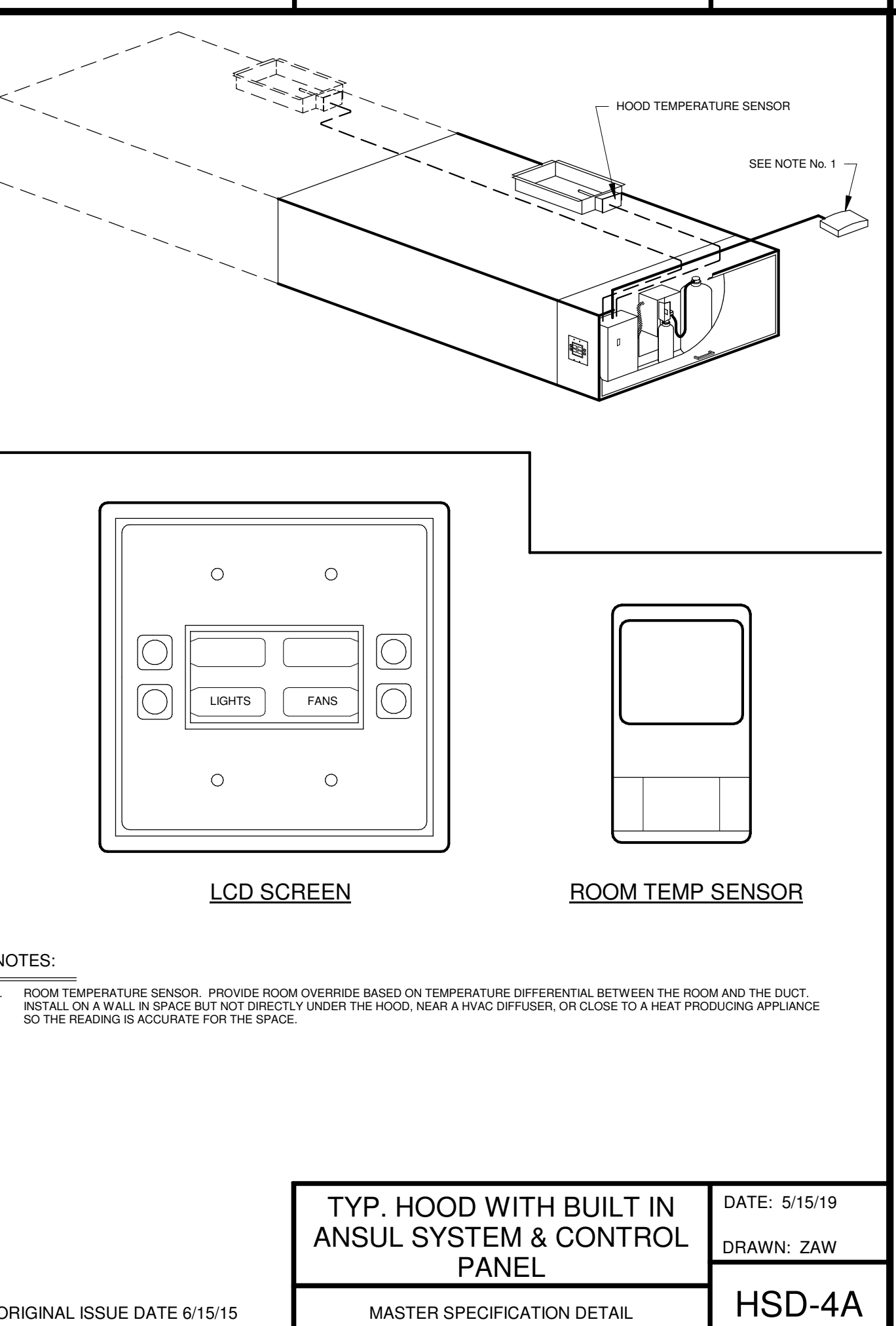
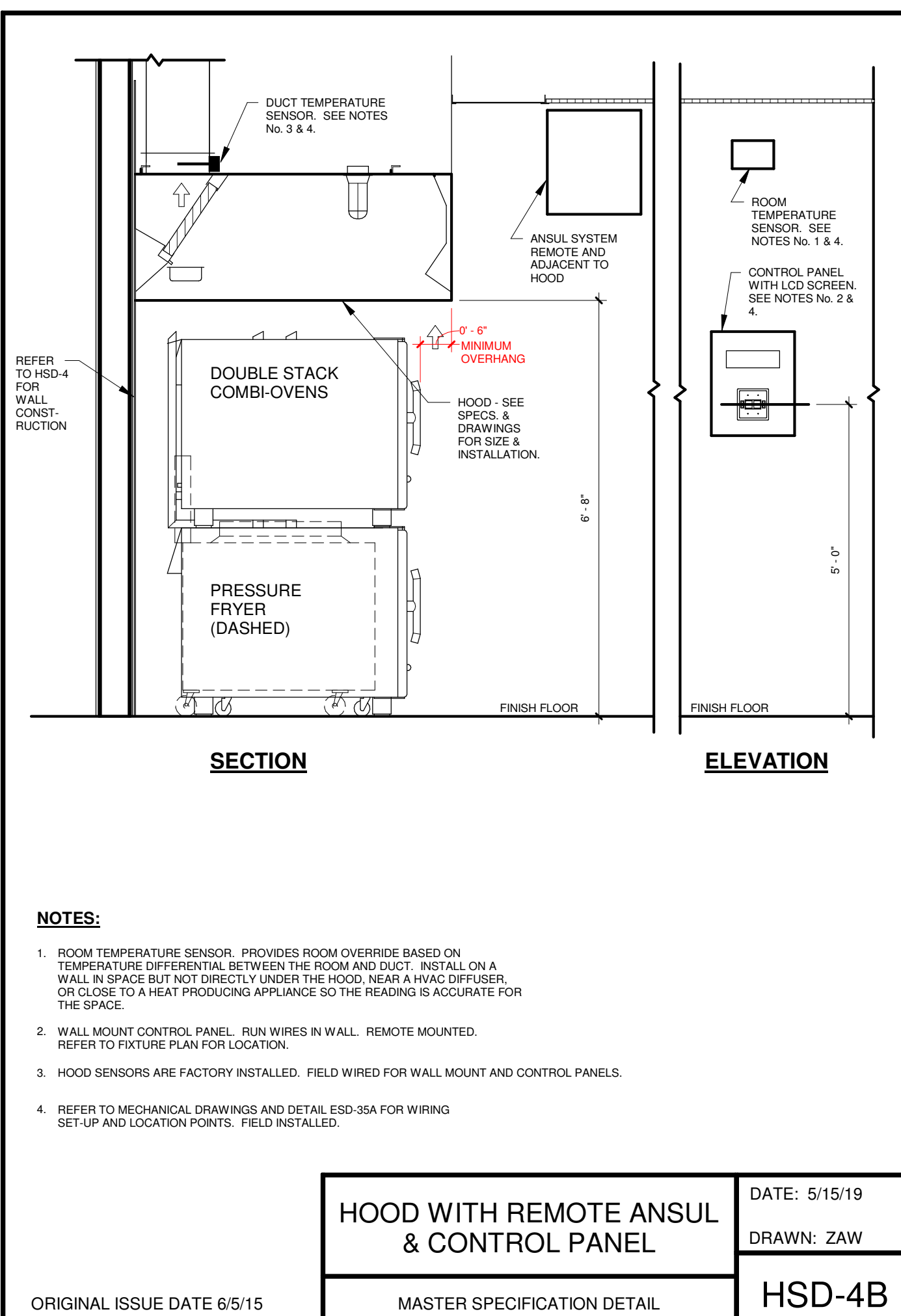
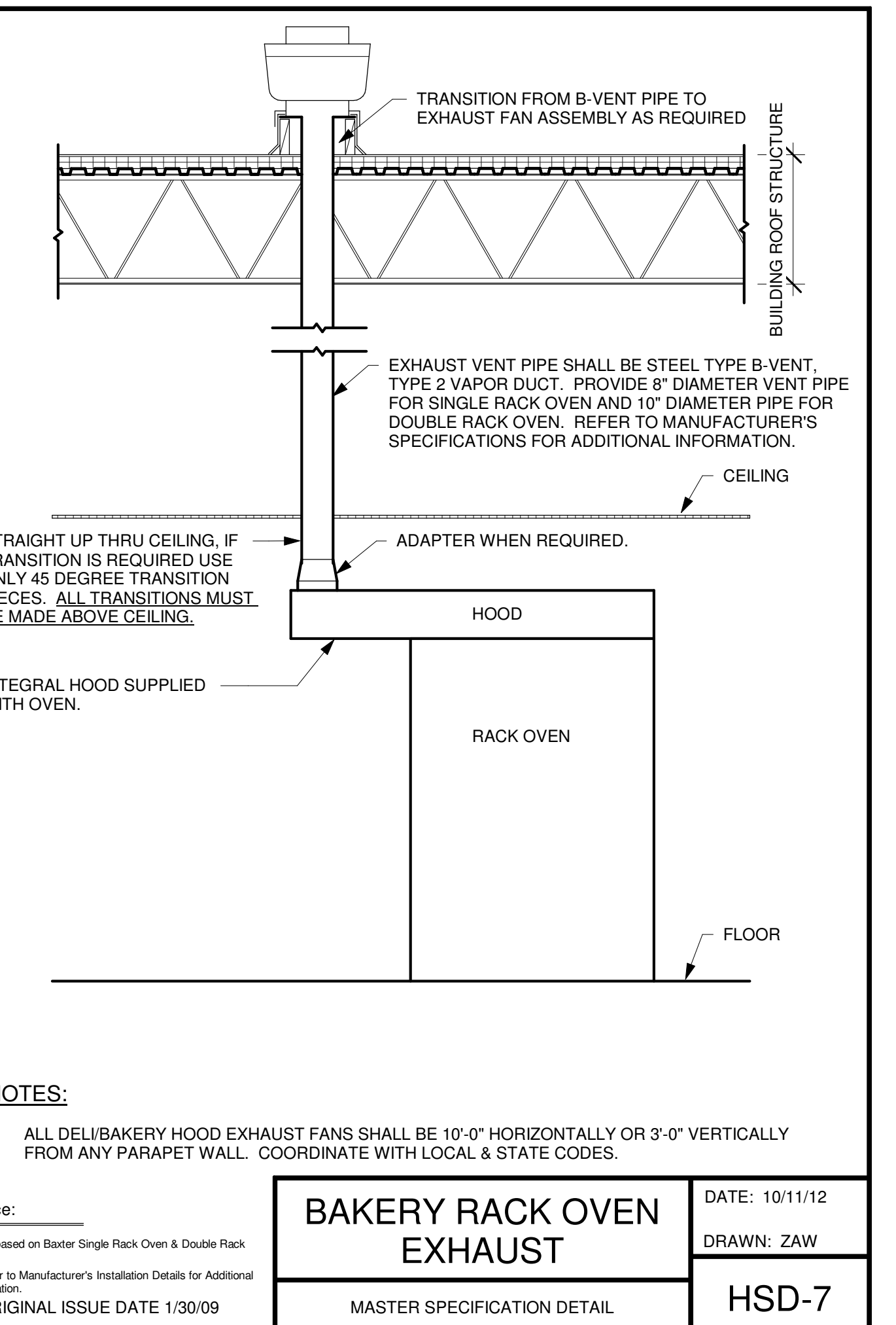
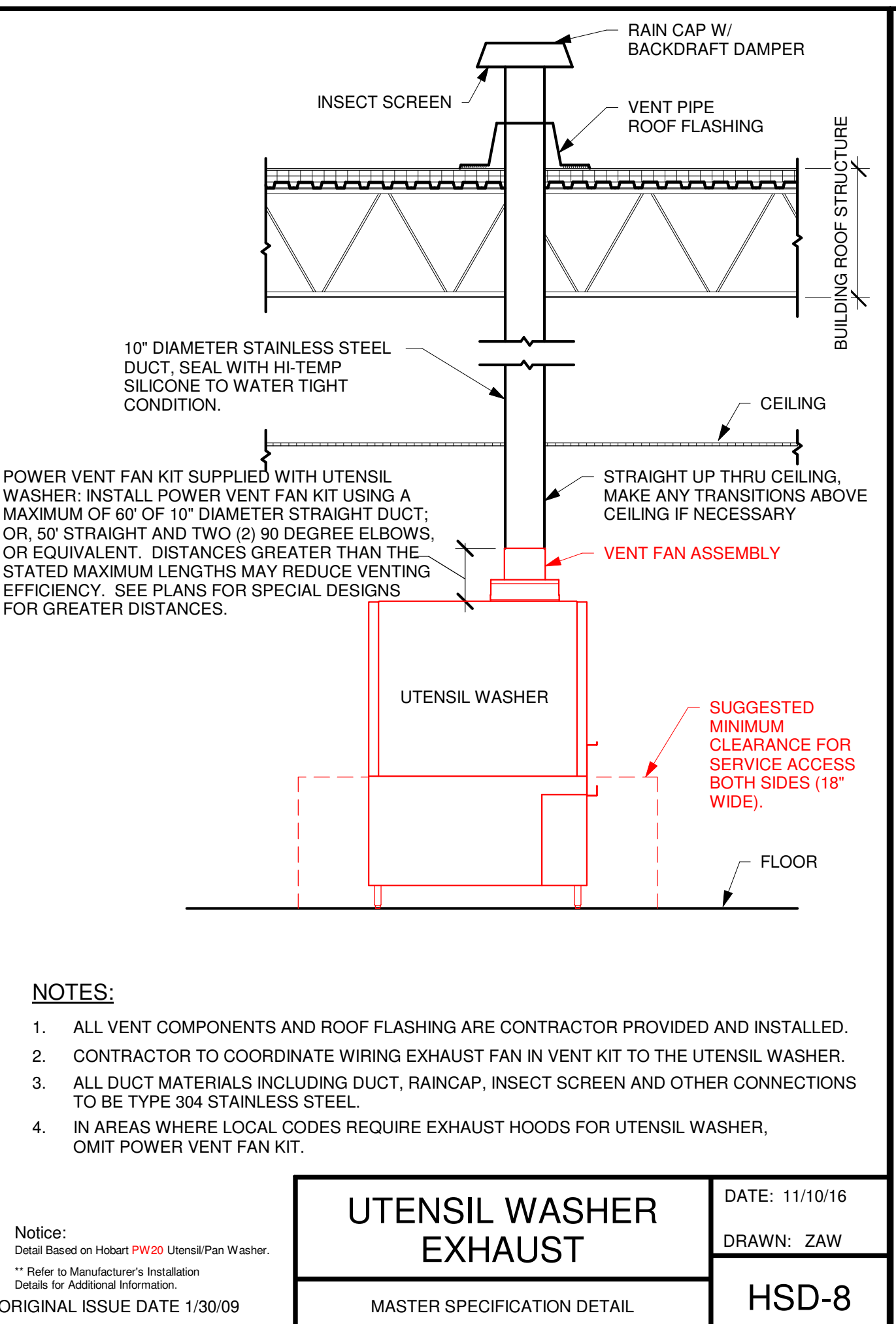
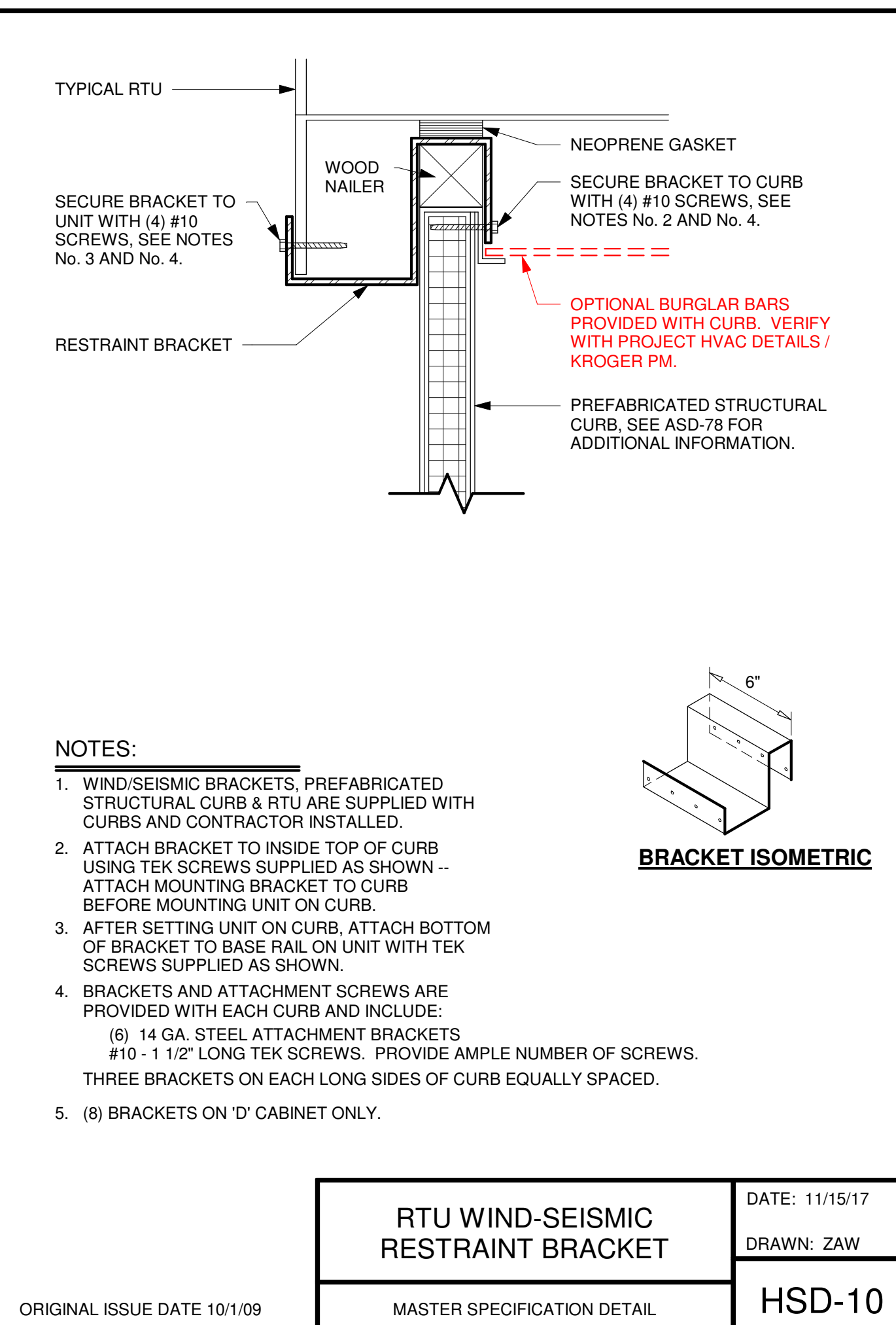
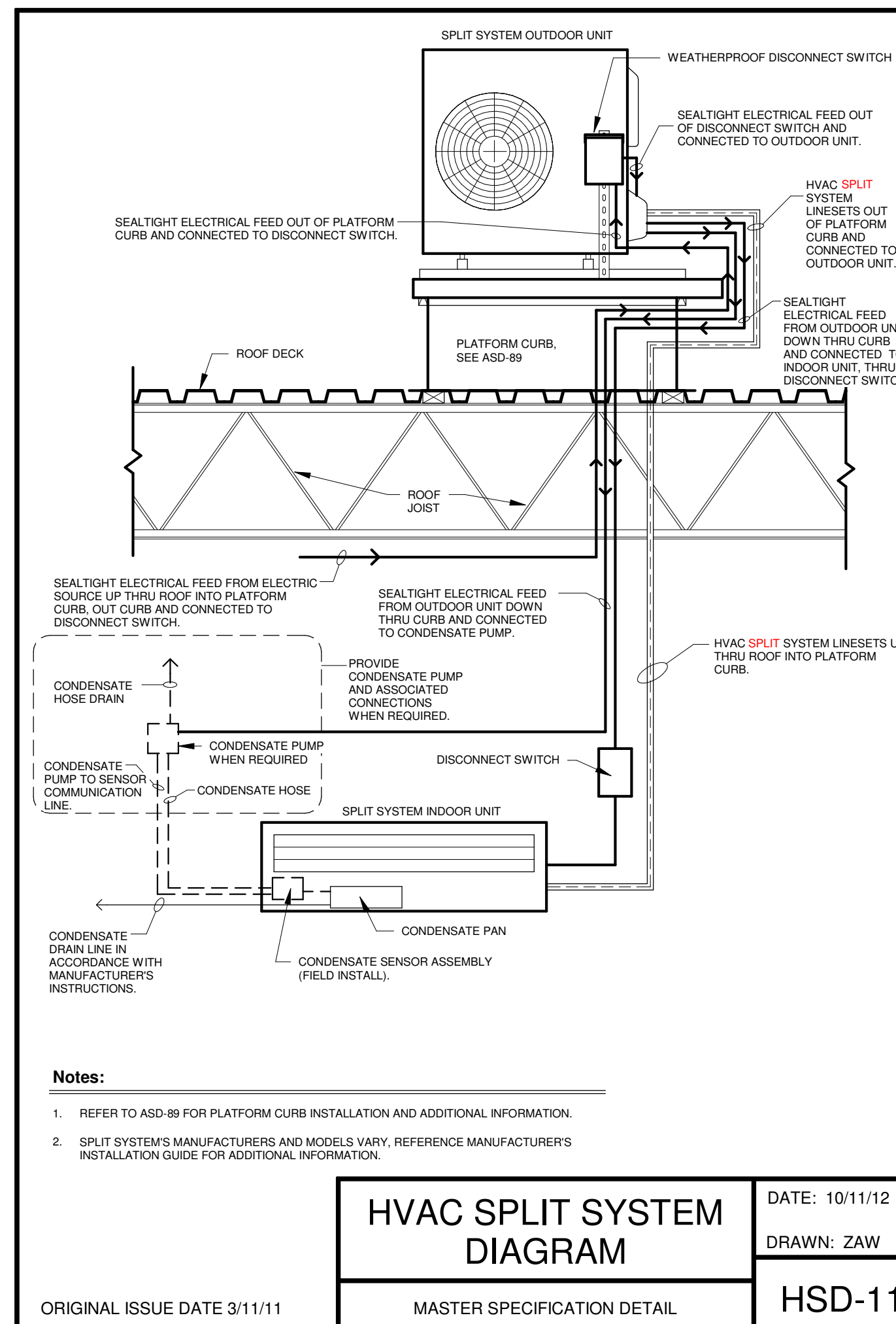
DATE	DESCRIPTION
08/31/2023	90% OWNER REVIEW
10/17/2023	BID/PERMIT ISSUE

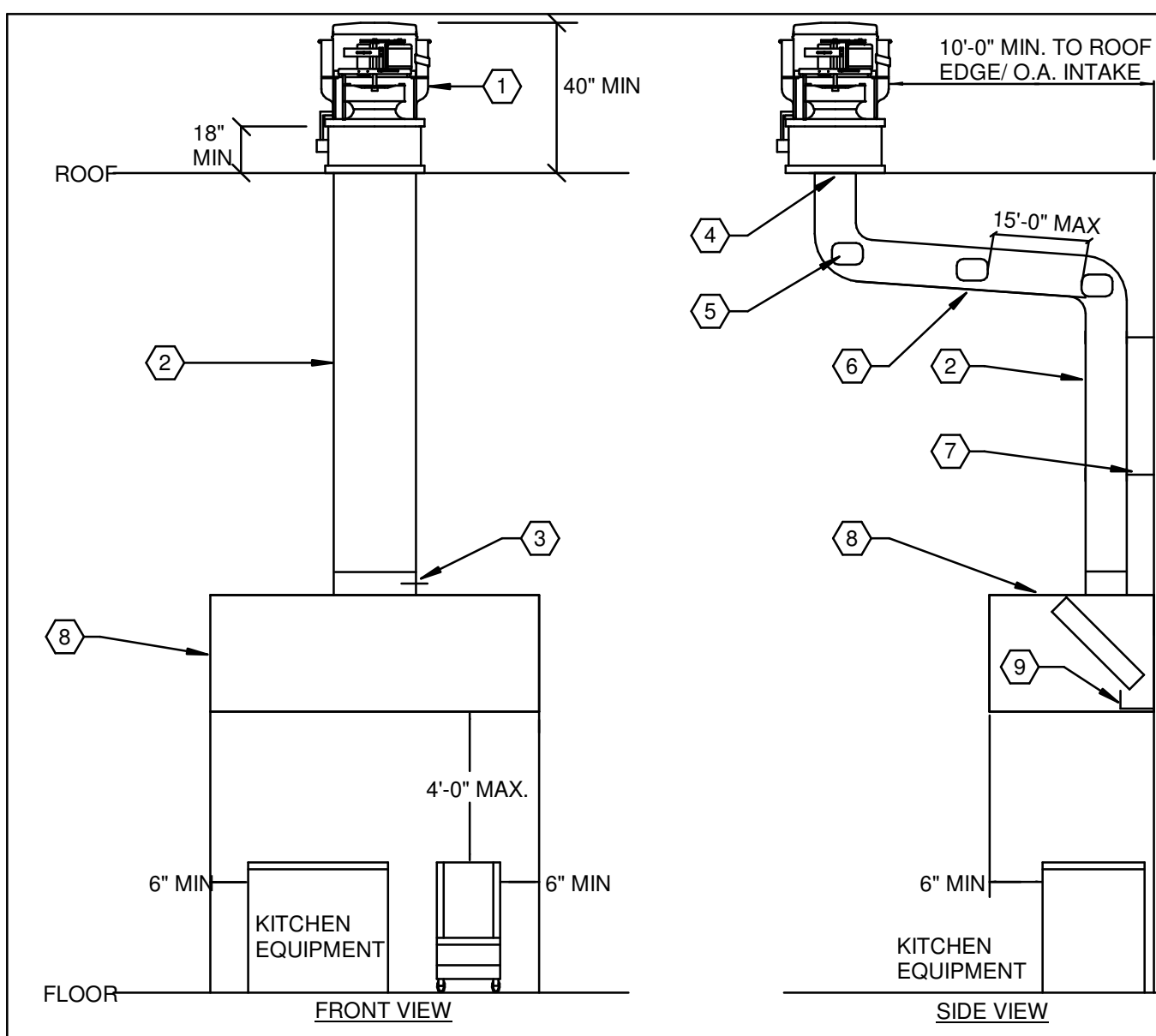
PROJECT TITLE  
KING SOOPERS  
KS154

HWY 52 & COLORADO BLVD  
FREDERICK, CO 80643  
COMMISSION NO. 522401  
ISSUE DATE 10/17/23  
SHEET TITLE  
HVAC SECTIONS  
AND DETAILS

SHEET NO.  
M3.1.10

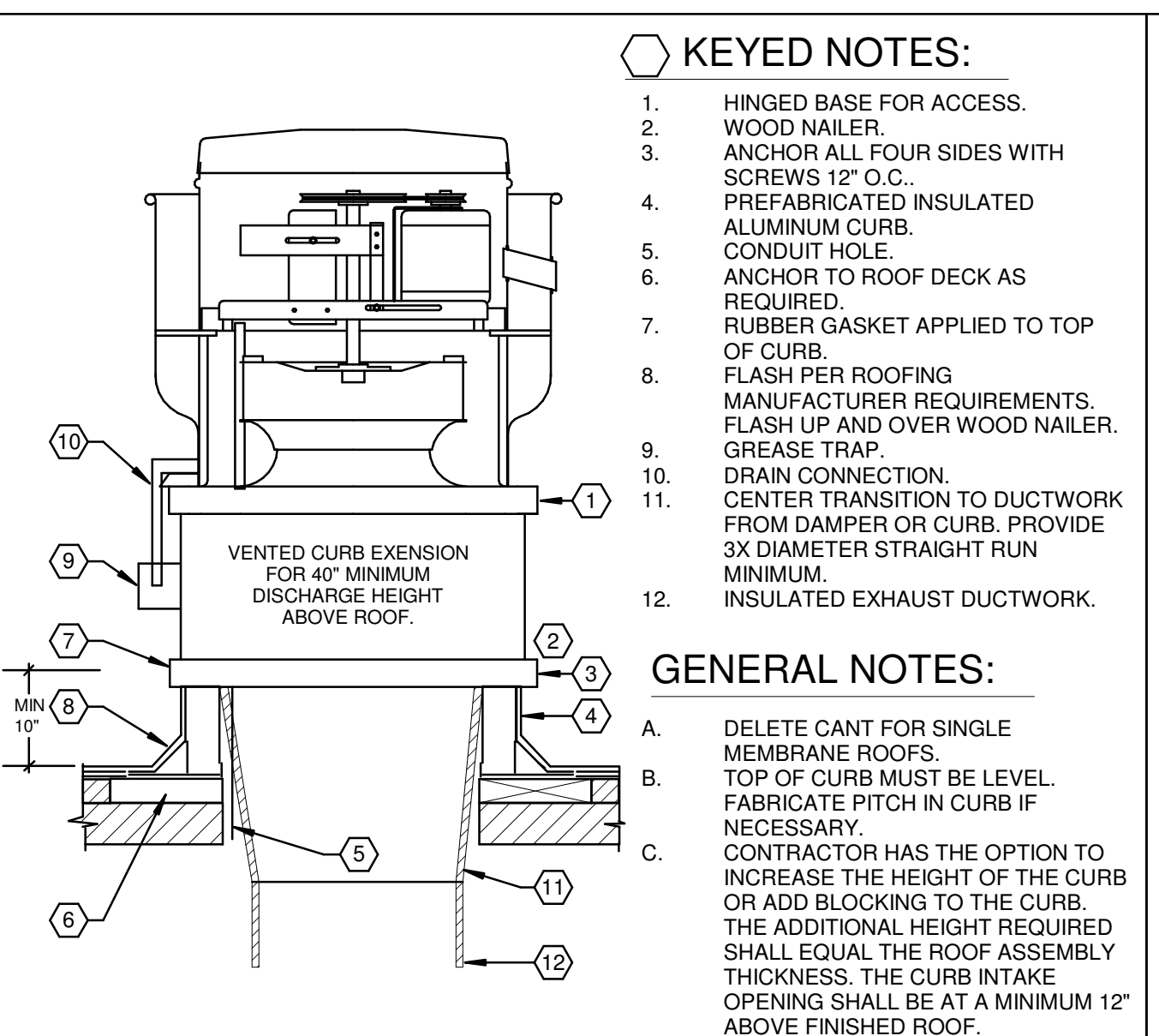
© 2022 Cole+Russell Architects, Inc.



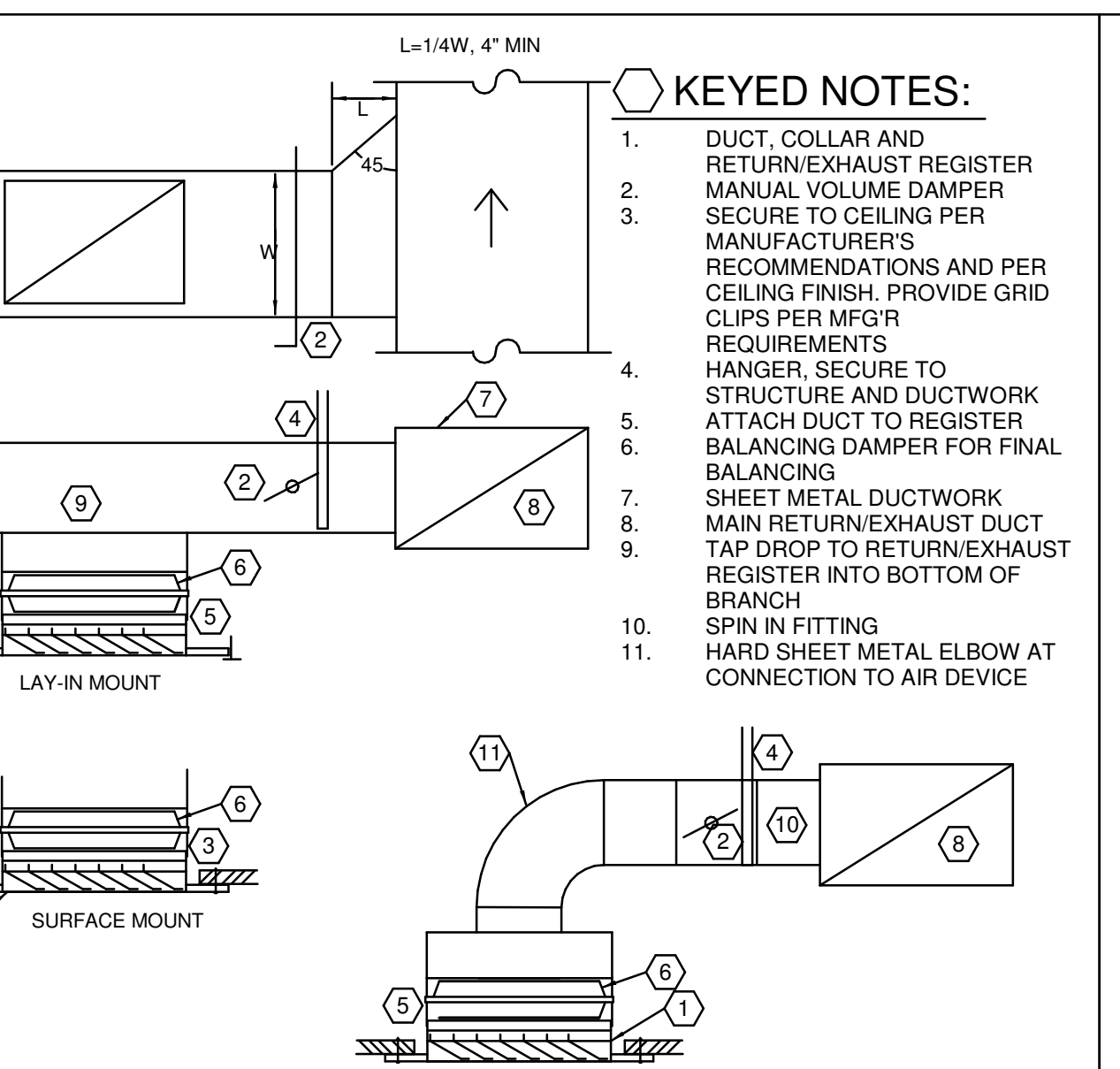


233813.00-04 - KITCHEN HOOD DETAIL UP BLAST  
SCALE: NONE

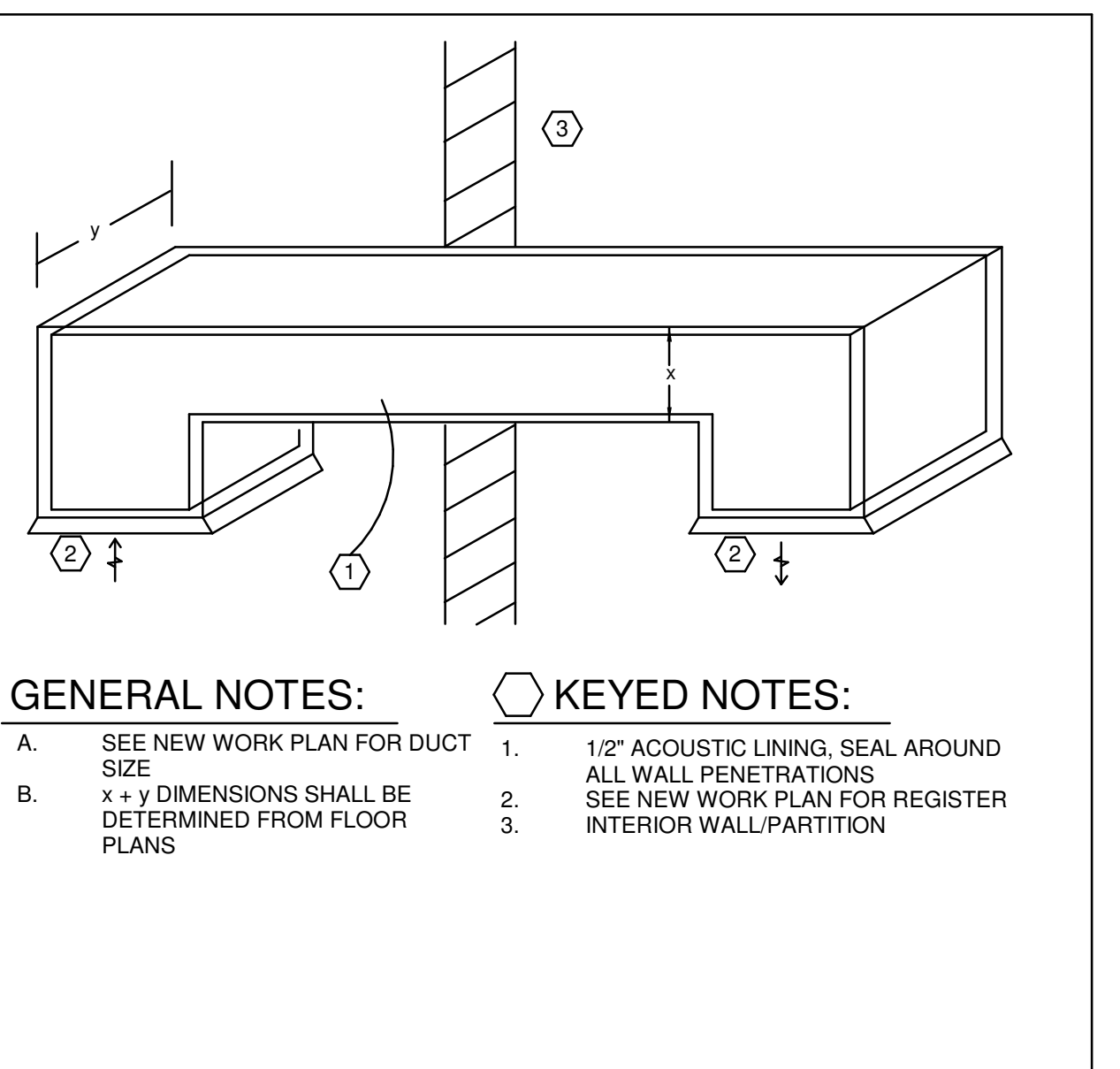
- KEYED NOTES:**
- KITCHEN EXHAUST FAN U.L. LISTED FOR GREASE (SEE KITCHEN EXHAUSTER DETAIL). FAN MOTOR SHALL BE OUT OF AIRSTREAM. PROVIDE GREASE CUP AND DRAIN.
  - 18 GAUGE INSULATED WELDED BLACK IRON OR 18 GAUGE INSULATED WELDED STAINLESS STEEL. DUCTWORK WRAPPED WITH 2 LAYERS OF ZERO CLEARANCE DUCT WRAP (TYPICAL).
  - HEAT SENSOR IN EACH COLLAR INTERLOCKED TO VENTILATION SYSTEM. FLANGED & GASKETED DUCT TO EXHAUST FAN CONNECTION.
  - CLEANOUT DOOR/LATCH (12"x12" MIN.) MADE OF 16 GAUGE WELDED BLACK IRON OR 18 GAUGE WELDED STAINLESS STEEL (TYPICAL).
  - MINIMUM 2% SLOPE TOWARD HOOD WITH CLEANOUTS A MINIMUM OF EVERY 15 FEET AND CHANGE IN DIRECTION.
  - GREASE DUCT SUPPORT IS TO BE SIZED, SPACED, AND INSTALLED BY CODE.
  - HOOD WITH ANSUL SYSTEM. MAINTAIN 1" CLEARANCE TO COMBUSTIBLES.
  - GREASE DRIP TRAY.
- GENERAL NOTES:**
- TYPE HOOD SHALL BE STAINLESS STEEL, 18 GAUGE, WITH WELDED SEAMS AND U.L. LISTED EXHAUST DUCT SHALL BE 18 GA. BLACK IRON OR 18 GA. STAINLESS STEEL, FINISH #3, WITH CONTINUOUS LIQUID TIGHT WELDED JOINTS AND SEAMS.
  - AIR VELOCITY SHALL BE PER CODE AND AHJ.
  - PROVIDE INSULATION WRAP EQUAL TO 3M FIBRE MASTER DUCT WRAP WITH U.L. LISTINGS OF 723, 1978, AND 1479.
  - INSULATION SHALL BE A LIGHTWEIGHT, NON-ASBESTOS, HIGH TEMPERATURE, INORGANIC, CERAMIC FIBER BLANKET TOTALLY ENCAPSULATED IN FOLIOSCRIM HAVING A SERVICE TEMPERATURE RANGE UP TO 2300 DEGREE F.
  - INSULATION SHALL BE A 2-HOUR FIRE RESISTIVE RATED GREASE AIR DUCT ENCLOSURE AS A SHAFT ALTERNATIVE AND A METHOD FOR PROVIDING ZERO INCH CLEARANCE AROUND COMMERCIAL KITCHEN GREASE DUCT EXHAUST SYSTEMS TO COMBUSTIBLE MATERIALS.
  - ALUMINUM GREASE FILTER WITH TROUGH, SHALL BE INSTALLED IN THE HOOD IN COMPLIANCE WITH CODE. FILTERS SHALL BE MOUNTED AT AN ANGLE OF 45 DEGREES MINIMUM.
  - PROVIDE STAINLESS STEEL ENCLOSURE PANEL BETWEEN TOP OF KITCHEN HOOD AND CEILING, PER LOCAL CODE REQUIREMENTS.



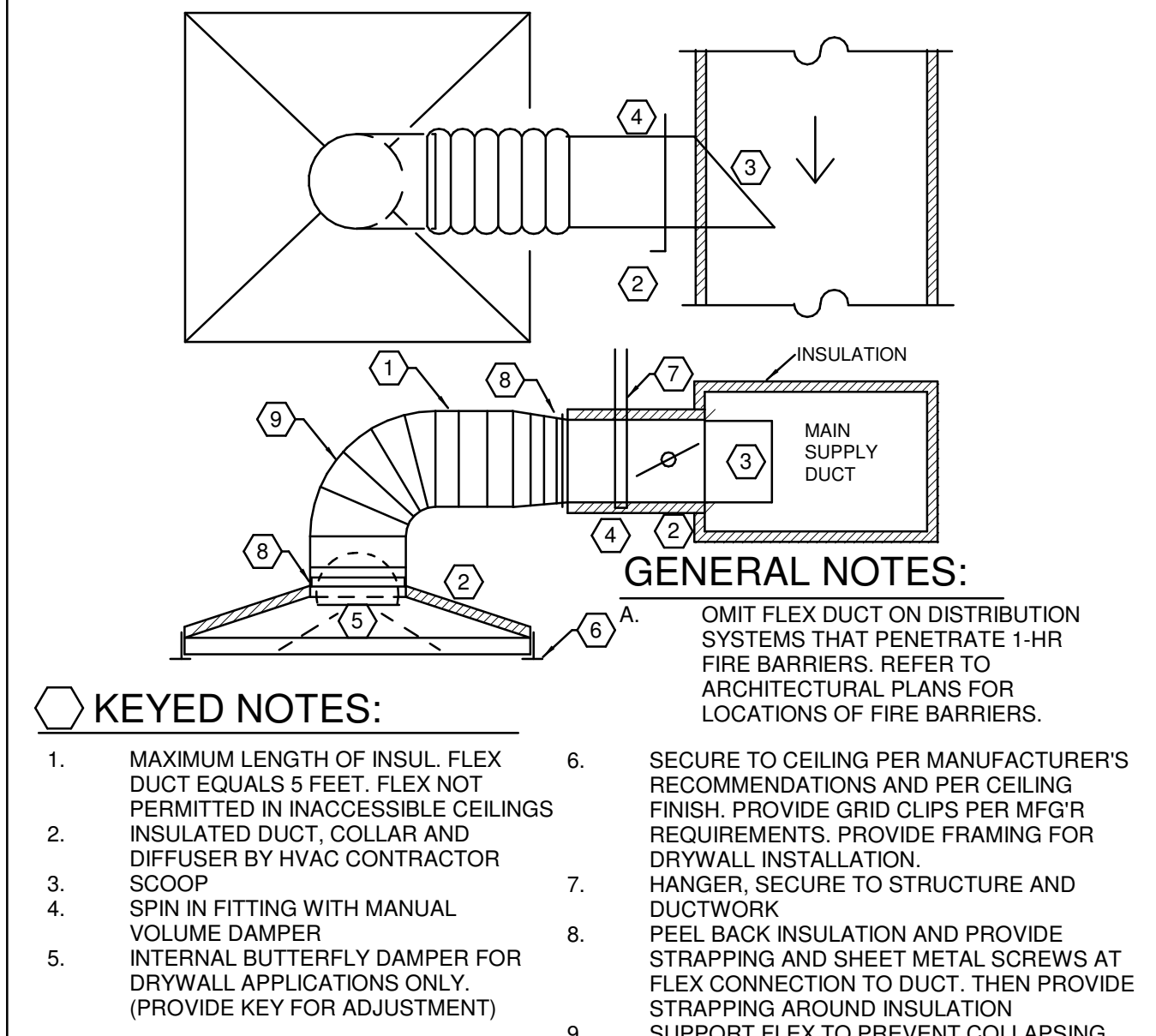
233813.00-02 - KITCHEN EXHAUSTER  
SCALE: NONE



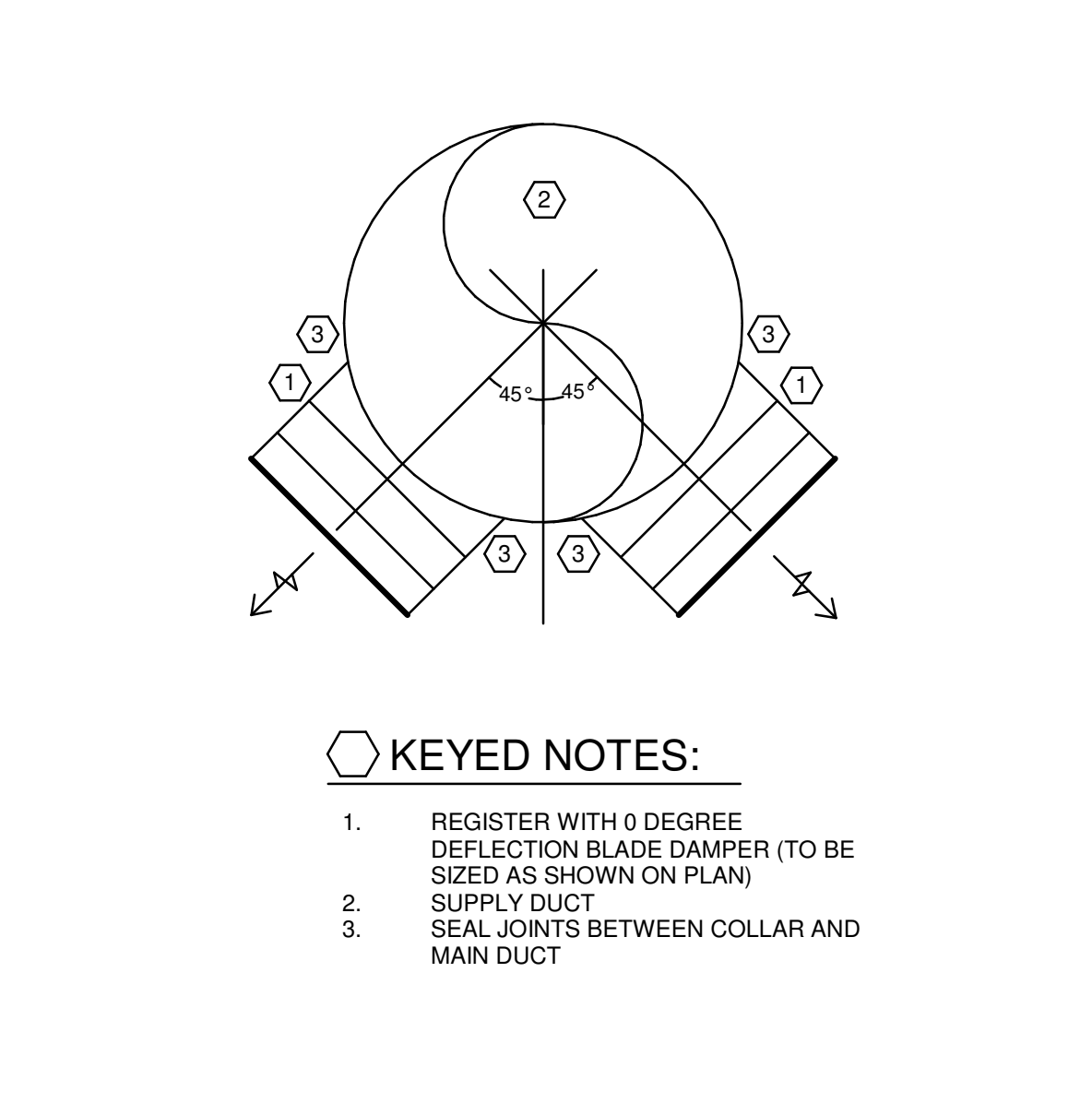
233713.00-21 - RETURN/EXHAUST REGISTER INSTALLATION  
SCALE: NONE



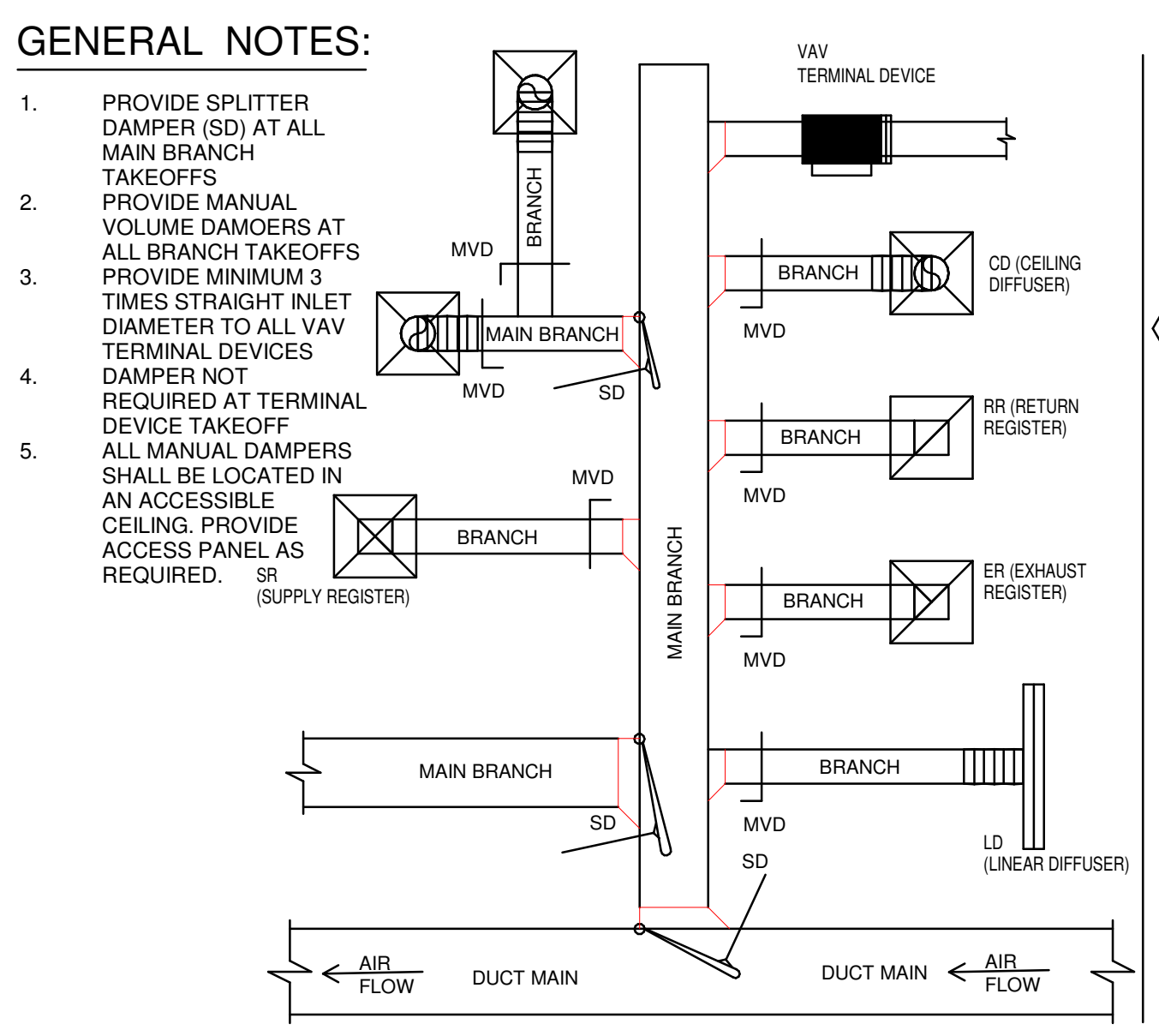
233713.00-19 - TRANSFER GRILLE  
SCALE: NONE



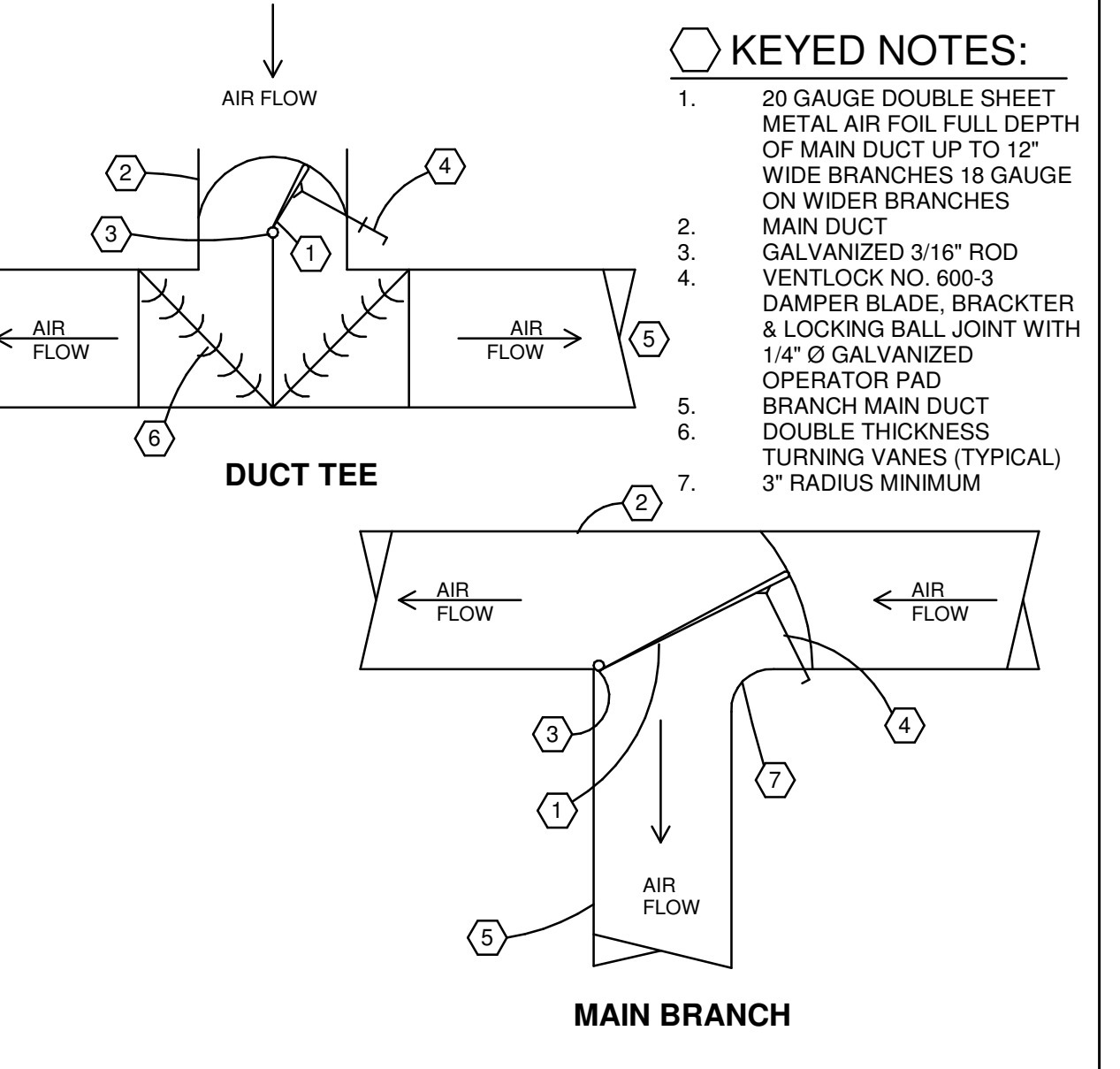
233713.00-04 - DIFFUSER INSTALLATION TYPICAL  
SCALE: NONE



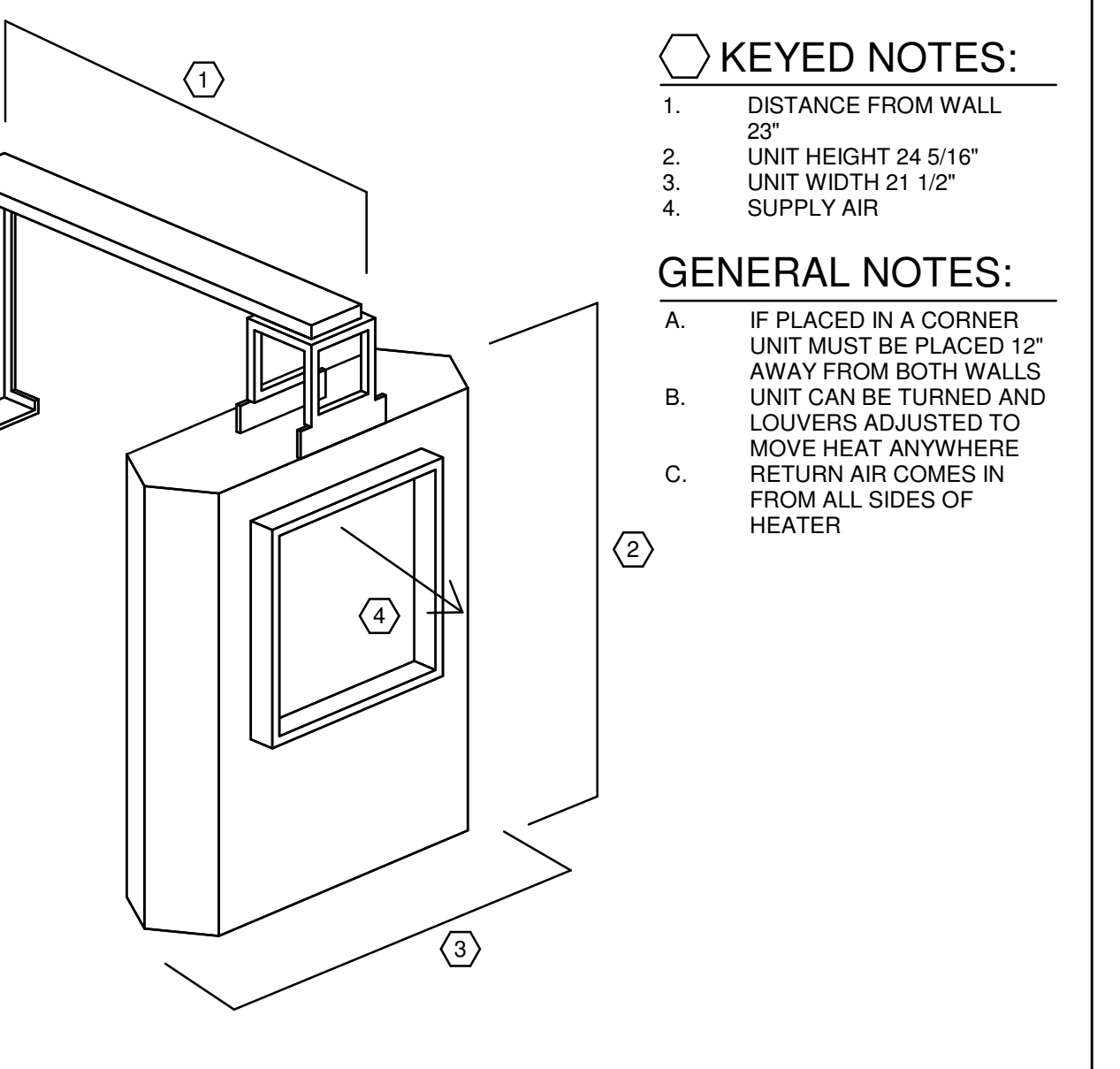
233713.00-02 - ANGLED REGISTER INSTALLATION  
SCALE: NONE



233300.00-01 - MANUAL DAMPER DETAIL  
SCALE: NONE



233300.00-01 - MANUAL DAMPER DETAIL  
SCALE: NONE



238239.00-01 - ELECTRIC UNIT HEATER MOUNTING A  
SCALE: NONE

### HVAC ROOFTOP UNITS SCHEDULE

Equipment shall be braced and labeled by the equipment manufacturer to withstand the minimum scheduled available fault current value for listed equipment.

EQUIPMENT MARK	DESCRIPTION	LOCATION	STATUS	WEIGHT (lbs)	MANUFACTURER	MODEL	MIN EFF	CFM (cfm)	ESP (in WC)	OACFM (cfm)	NOMINAL TONS	MAT CLG DB (Deg F)	MAT CLG WB (Deg F)	CLG MSH (in/h)	CLG SENS (in/h)	LAT DB (Deg F)	MAT HTG WB (Deg F)	HTG MSH (in/h)	MIN HTG AFUE	GAS HTG IN (in/h)	GAS HTG OUT (in/h)	MIN GAS PRESSURE (in WC)	MAX GAS PRESSURE (in WC)	EMERGENCY	ELECTRIC CONNECTION SUMMARY	AVAILABLE FAULT CURRENT	ACCESSORIES			
RTU1	PACKAGED ROOFTOP UNIT, GAS HEAT	SALES	NEW	1363	LENNOX	LGMT04UE	12.2	4395	0.5	0	12.5	76	64	109	91	55	54	70	60	80	130	104	7	14	NO	RTU1-480V/3PH, 29 MCA, 3SA OCP	1469	3.4,10		
RTU2	PACKAGED ROOFTOP UNIT, GAS HEAT	SALES	NEW	1363	LENNOX	LGMT04UE	12.2	4395	0.5	0	12.5	76	64	109	91	55	54	70	60	80	130	104	7	14	NO	RTU2-480V/3PH, 29 MCA, 3SA OCP	1469	3.4,10		
RTU3	PACKAGED ROOFTOP UNIT, GAS HEAT	SALES	NEW	1363	LENNOX	LGMT04UE	12.2	4395	0.5	0	12.5	76	64	109	91	55	54	70	60	80	130	104	7	14	NO	RTU3-480V/3PH, 29 MCA, 3SA OCP	1469	3.4,10		
RTU4	PACKAGED ROOFTOP UNIT, GAS HEAT	SALES	NEW	1363	LENNOX	LGMT04UE	12.2	4395	0.5	0	12.5	76	64	109	91	55	54	70	60	80	130	104	7	14	NO	RTU4-480V/3PH, 29 MCA, 3SA OCP	1469	3.4,10		
RTU5	PACKAGED ROOFTOP UNIT, GAS HEAT	SALES	NEW	1363	LENNOX	LGMT04UE	12.2	4395	0.5	0	12.5	76	64	113	96	55	54	70	60	80	130	104	7	14	NO	RTU5-480V/3PH, 29 MCA, 3SA OCP	1388	3.4,10		
RTU6	PACKAGED ROOFTOP UNIT, GAS HEAT	SALES	NEW	1363	LENNOX	LGMT04UE	12.2	4395	0.5	0	12.5	76	64	107	89	55	54	70	60	80	130	104	7	14	NO	RTU6-480V/3PH, 29 MCA, 3SA OCP	1467	3.4,10		
RTU7	PACKAGED ROOFTOP UNIT, GAS HEAT	SALES	NEW	1363	LENNOX	LGMT04UE	12.2	4395	0.5	0	12.5	76	64	105	89	55	54	70	60	80	130	104	7	14	NO	RTU7-480V/3PH, 29 MCA, 3SA OCP	1171	3.4,10		
RTU8	PACKAGED ROOFTOP UNIT, GAS HEAT	SALES	NEW	1363	LENNOX	LGMT04UE	12.2	4100	0.5	0	12.5	76	64	111	96	55	54	81	103	80	130	104	7	14	NO	RTU8-480V/3PH, 24 MCA, 3SA OCP	1016	3.4,10		
RTU9	PACKAGED ROOFTOP UNIT, GAS HEAT	SALES	NEW	1363	LENNOX	LGMT04UE	12.2	3700	0.5	0	10	76	64	91	77	54	54	59	60	130	104	7	14	NO	RTU9-480V/3PH, 24 MCA, 3SA OCP	961	3.4,10			
RTU10	PACKAGED ROOFTOP UNIT, GAS HEAT	PHARMACY	NEW	1319	LENNOX	LGMT04UE	12.5	4000	0.5	0	6	80	63	58	54	55	54	55	63	80	108	81	7	14	NO	RTU10-480V/3PH, 13 MCA, 3SA OCP	416	2.3,4.10,22,24		
RTU11	PACKAGED ROOFTOP UNIT, GAS HEAT	DELI	NEW	1319	LENNOX	LGMT04UE	12.5	4000	0.5	0	6	80	63	58	54	55	54	55	63	80	108	81	7	14	NO	RTU11-480V/3PH, 13 MCA, 3SA OCP	413	2.3,4.10,22,24		
RTU12	PACKAGED ROOFTOP UNIT, GAS HEAT	BAKERY	NEW	997	LENNOX	LGMT04UE	10.7	3400	0.5	0	4	76	64	54	34	54	54	54	54	66	80	65	7	14	NO	RTU12-480V/3PH, 13 MCA, 3SA OCP	389	2.3,4.10,22		
RTU13	PACKAGED ROOFTOP UNIT, GAS HEAT	BACKROOM	NEW	1319	LENNOX	LGMT04UE	12.5	2000	1	1	196	5	78	64	46	46	55	54	64	65	80	109	81	7	14	NO	RTU13-480V/3PH, 13 MCA, 15A OCP	743	2.3,4.10,22	
RTU14	PACKAGED ROOFTOP UNIT, GAS HEAT	BACKROOM	NEW	1319	LENNOX	LGMT04UE	10.7	1900	0.25	0	274	5	78	64	46	46	55	54	64	65	80	109	81	7	14	NO	RTU14-480V/3PH, 13 MCA, 15A OCP	2548	2.3,4.10,22	
RTU15	PACKAGED ROOFTOP UNIT, GAS HEAT	DOCK	NEW	1363	LENNOX	LGMT04UE	12.5	3225	0.25	0	590	7.5	79	63	78	78	55	54	59	132	80	180	144	7	14	NO	RTU15-480V/3PH, 20 MCA, 25A OCP	3582	2.3,4.10	
RTU16	PACKAGED ROOFTOP UNIT, GAS HEAT	OFFICES	NEW	1363	LENNOX	LGMT04UE	12.5	2915	1	1	807	7.5	79	63	96	72	55	54	58	70	80	184	144	7	14	NO	RTU16-480V/3PH, 20 MCA, 25A OCP	2826	2.3,4.10,22,24	
RTU17	PACKAGED ROOFTOP UNIT, GAS HEAT	OFFICES	NEW	1386	LENNOX	LGMT04UE	12.5	2800	0.15	0	413	7.5	78	63	96	72	54	54	61	80	180	144	7	14	NO	RTU17-480V/3PH, 20 MCA, 25A OCP	1548	2.3,4.10,22		
RTU18	PACKAGED ROOFTOP UNIT, GAS HEAT	VESTIBULE	NEW	1386	LENNOX	LGMT04UE	12.5	3500	0.5	0	8.5	76	64	73	73	55	54	70	32	80	104	84.5	7	14	NO	RTU18-480V/3PH, 21 MCA, 25A OCP	1444	2.3,4.10,22		
RTU19	PACKAGED ROOFTOP UNIT, GAS HEAT	VESTIBULE	NEW	1386	LENNOX	LGMT04UE	12.5	3500	0.5	0	8.5	76	64	73	73	55	54	70	32	80	104	84.5	7	14	NO	RTU19-480V/3PH, 21 MCA, 25A OCP	1157	2.3,4.10,22		

### HVAC ACCESSORIES

- ACCESSORIES:
- MOTOR DAMPER
  - ECONOMIZER
  - ROOF CURB
  - HAIL GUARDS
  - INTAKE HOOD
  - VIBRATION ISOLATION
  - FLAT FILTER
  - FILTERMIXING BOX
  - ACCESS DOOR
  - FLEX CONNECTIONS
  - FLAT FILTER
  - FLAT FILTER
  - FLAT FILTER
  - FACE BYPASS DAMPER
  - CONDENSATE PUMP
  - MOUNTING COLLAR
  - GAS BYPASS
  - DUCT FLANGES
  - ECON BAROMETRIC RELIEF
  - HUMIDITROL
  - CO2 SENSORS
  - ECON POWERED EXHAUST
  - ECON BAROMETRIC RELIEF
  - DUCT SMOKE DETECTOR

### HVAC EXHAUST FANS SCHEDULE

Equipment shall be braced and labeled by the equipment manufacturer to withstand the minimum scheduled available fault current value for listed equipment.

EQUIPMENT MARK	DESCRIPTION	LOCATION	STATUS	WEIGHT (lbs)	MANUFACTURER	MODEL	EMERGENCY	EIA CFM	ESP (in WC)	FAN RPM (rpm)	BSP (hp)	HP (hp)	ELECTRIC CONNECTION SUMMARY	AVAILABLE FAULT CURRENT
EF-1	CENTRIFUGAL ROOF VENTILATOR	CUSTOMER PRS	NEW	54	CAPTIVE AIRE	DRSHFA	NO	700	0.5	154	0.25	0.25	EF-1-120V/1PH, 0.25HP, 3.8A FLA, 250	154
EF-2	CENTRIFUGAL ROOF VENTILATOR	TLC	NEW	53	CAPTIVE AIRE	DRSHFA	NO	800	0.4	1174	0.07	0.18	EF-2-120V/1PH, 0.18HP, 3.8A FLA, 813	813
EF-3	CENTRIFUGAL ROOF VENTILATOR	EMPLOYEE PRS	NEW	64	CAPTIVE AIRE	DRSHFA	NO	500	0.5	1278	0.13	0.25	EF-3-120V/1PH, 0.25HP, 3.8A FLA, 993	993
EF-4	UPBLAST PROPELLER ROOF FAN	DELI/DOCK	NEW	184	CAVITY	DRSHFA	NO	2400	1.25	1104	1.04	1.04	EF-4-240V/3PH, 2.4HP, 6.6A FLA, 1558	1558
EF-5	CENTRIFUGAL ROOF VENTILATOR	ELECTRICAL	NEW	64	CAPTIVE AIRE	DRSHFA	NO	800	0.4	1426	0.17	0.18	EF-5-120V/1PH, 0.25HP, 3.8A FLA, 1534	1534
EF-6	CENTRIFUGAL ROOF VENTILATOR	ELECTRICAL	NEW	64	CAPTIVE AIRE	DRSHFA	NO	800	0.4	1426	0.17	0.18	EF-6-120V/1PH, 0.25HP, 3.8A FLA, 1534	1534
EF-7	CENTRIFUGAL ROOF VENTILATOR	SEAFOOD	NEW	64	CAPTIVE AIRE	DRSHFA	NO	700	0.4	1311	0.13	0.25	EF-7-120V/1PH, 0.25HP, 3.8A FLA, 1516	1516
EF-8	CENTRIFUGAL ROOF VENTILATOR	CLEANING CENTER	NEW	47	CAPTIVE AIRE	DRSHFA	NO	200	0.3	1290	0.04	0.06	EF-8-120V/1PH, 0.06HP, 3.1A FLA, 1078	1078
EF-9	UPBLAST PROPELLER ROOF FAN	BAKERY OVEN	NEW	79	CAPTIVE AIRE	DUSHFA	NO	600	0.5	1282	1.19	0.31	EF-9-120V/1PH, 0.31HP, 5.6A FLA, 1022	1022
EF-10	UPBLAST PROPELLER ROOF FAN	BAKERY OVEN	NEW	79	CAPTIVE AIRE	DUSHFA	NO	600	0.5	1282	1.19	0.33	EF-10-120V/1PH, 0.33HP, 5.6A FLA, 1022	1022
HVLS-1	HIGH VOLUME LOW SPEED FAN	DOCK	NEW	20	CANARM	CP48	NO	7370	0	0	0	0	HVLS-1-120V/1PH, 0.6A FLA, 615	615
HVLS-2	HIGH VOLUME LOW SPEED FAN	DOCK	NEW	20	CANARM	CP48	NO	7370	0	0	0	0	HVLS-2-120V/1PH, 0.6A FLA, 615	615

### HVAC DUCTLESS SPLIT SYSTEMS (INDOOR UNITS) SCHEDULE

Equipment shall be braced and labeled by the equipment manufacturer to withstand the minimum scheduled available fault current value for listed equipment.

EQUIPMENT MARK	DESCRIPTION	LOCATION	STATUS	FED FROM	WEIGHT (lbs)	MANUFACTURER	MODEL	EMERGENCY	ELECTRIC CONNECTION SUMMARY	AVAILABLE FAULT CURRENT				
DS-1	DUCTLESS SPLIT INDOOR UNIT	EQR	NEW	CU-1	51	DAIKIN	FRKA092	755	0.5	3	15	15	DS-1-208V/1PH, 1 MCA	2117

### HVAC AIR COOLED CONDENSING UNIT SCHEDULE

Equipment shall be braced and labeled by the equipment manufacturer to withstand the minimum scheduled available fault current value for listed equipment.

EQUIPMENT MARK	DESCRIPTION	LOCATION	STATUS	WEIGHT (lbs)	MANUFACTURER	MODEL	SEER	NOMINAL TONS	CLG MSH (in/h)	CLG SENS (in/h)	EMERGENCY	ELECTRIC CONNECTION SUMMARY	AVAILABLE FAULT CURRENT
CU-1	AIR SOURCE OUTDOOR CONDENSING UNIT	NEW	198	21.2	DAIKIN	TRU4026	18.8	3	15	15	NO	CU-1-208V/1PH, 25 MCA, 3SA OCP	2117

### HVAC UNIT HEATERS SCHEDULE

Equipment shall be braced and labeled by the equipment manufacturer to withstand the minimum scheduled available fault current value for listed equipment.

EQUIPMENT MARK	DESCRIPTION	LOCATION	STATUS	WEIGHT (lbs)	MANUFACTURER	MODEL	EMERGENCY	ELECTRIC CONNECTION SUMMARY	AVAILABLE FAULT CURRENT
UH-1	ELECTRIC UNIT HEATER	VESTIBULE 1	NEW	40	QMARK	MUH04-4	NO	UH-1-480V/3PH, 7.5 KW RTLS, BA FLA, 1189	1189
UH-2	ELECTRIC UNIT HEATER	VESTIBULE 2	NEW	40	QMARK	MUH04-4	NO	UH-2-480V/3PH, 7.5 KW RTLS, BA FLA, 658	658

### HVAC LOAD SCHEDULE

THE HEATING AND COOLING LOAD CALCULATIONS ARE BASED ON THE RTS (RADIANT TIME SERIES) METHOD. ASSUMPTIONS AND EXECUTION OF THESE METHODS ARE PER ASHRAE 183-2007...

HVAC LOADS

EQUIPMENT MARK	CROOF	CWALL	CPART	CGLASS	CSOLAR	CLIGHTS	CEQUIP	CPSENS	CSSENS	CFAN	COAS	CTSENS	CPLAT	COAL	CTLAT	CTOT	PROOF	HWALL	HPART	HGLASS	HSLAB	HSPACE	HQA	HTOT
CU-1	0.2	1.1	0	0	0	0.5	17	2.1	0.1	2.1	0.1	2.1	0.1	2.1	0.1	2.1	24	0.3	2.8	0	0	0.8	4.1	4.1
RTU-1	21.4	0.6	0	0	0	46.1	3	29.6	99.9	5	0	99.7	28.6	0	23.4	123.1	31.4	1.7	0	0	13.6	49.5	0	49.5
RTU-2	21.1	0	0	0	0	44.8	0.8	29.5	86.2	4.8	0	86.3	20.7	0	18.3	103.3	24.7	0	0	0	16.7	46.7	0	46.7
RTU-3	14.2	0	0	0	0	30	0.9	21.5	66.9	3.7	0	70.7	20.7	0	20.7	91.4	22.7	0	0	0	8.8	31.5	0	31.5
RTU-4	19.4	0	0	0	0	32.6	0.8	21.5	70.6	3.7	0	74.4	20.7	0	20.7	95.1	22.7	0	0	0	9.5	34.2	0	34.2
RTU-5	15	0	0	0	0	31.7	0.8	21.5	69.3	3.7	0	73	20.7	0	20.7	93.7	24	0	0	0	9.2	33.3	0	33.3
RTU-6	16.2	0	0	0	0	34.2	0.8	21.5	73	3.9	0	76.9	20.7	0	20.7	97.6	25.9	0	0	0	10	35.9	0	35.9
RTU-7	17.2	0	0	0	0	36.4	0.8	21.5	76.3	3.9	0	79.3	20.7	0	20.7	101.3	27.5	0	0	0	10.8	38.2	0	38.2
RTU-8	11.5	0.6	0	0	0	24.4	0.5	22.9	68	3.8	0	71.9	22.1	0	22.1	9								