

SUBMITTAL COVER SHEET



Date: **October 24, 2023**

Job Name: **Torchy's Tacos – Liberty Township**

Customer: **Greater Comfort Heating**

Engineer/Consultant: **MPW Engineering**

Manufacturer: **Greenheck Exhaust Fans**

Submitted By: **Jason Schulte**

The attached **1** sets of submittals are provided for: **X** APPROVAL RECORD

Please provide (1) ONE set of approved submittals prior to release for record.

Please review the items listed below, and reply accordingly to any unresolved questions or discrepancies:

Greenheck – Exhaust Fans

Please verify items below:

1. All quantities and sizes
2. Finishes
3. Accessories

Respectfully Submitted,

Jason Schulte
513-332-2095 office

SUBMITTAL

Job Name: Torchy's Tacos - Liberty Twp

Engineer: MPW Engineering

Contractor: Greater Comfort Heating

Elevation: (ft) 499

Date: 10/24/2023

Submitted By: Jason Schulte

EAP INC - 370
3930 VIRGINIA AVE
CINCINNATI, OH 45227
US

Phone: (513)489-9494

Fax: (513)489-6448

Email Address: jschulte@eapnet.com



P.O. Box 410 Schofield, WI 54476 (715) 359-6171 FAX (715) 355-2399 www.greenheck.com

Model: SP-B150

Ceiling Exhaust Fan

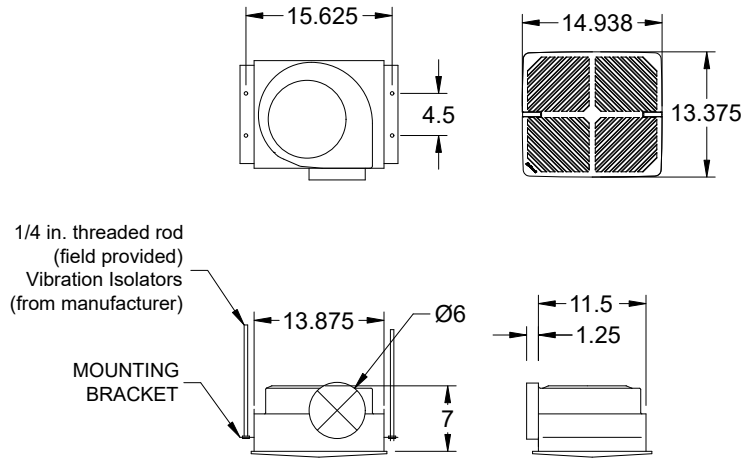
Tags: TEF-1 TEF-2

Standard Construction Features:

- Corrosion resistant galvanized steel scroll and housing - White designer non-yellowing grille - Round outlet duct collar with integral backdraft damper - Single inlet forward curved wheel - Plug type disconnect - Adjustable mounting brackets

Selected Options & Accessories:

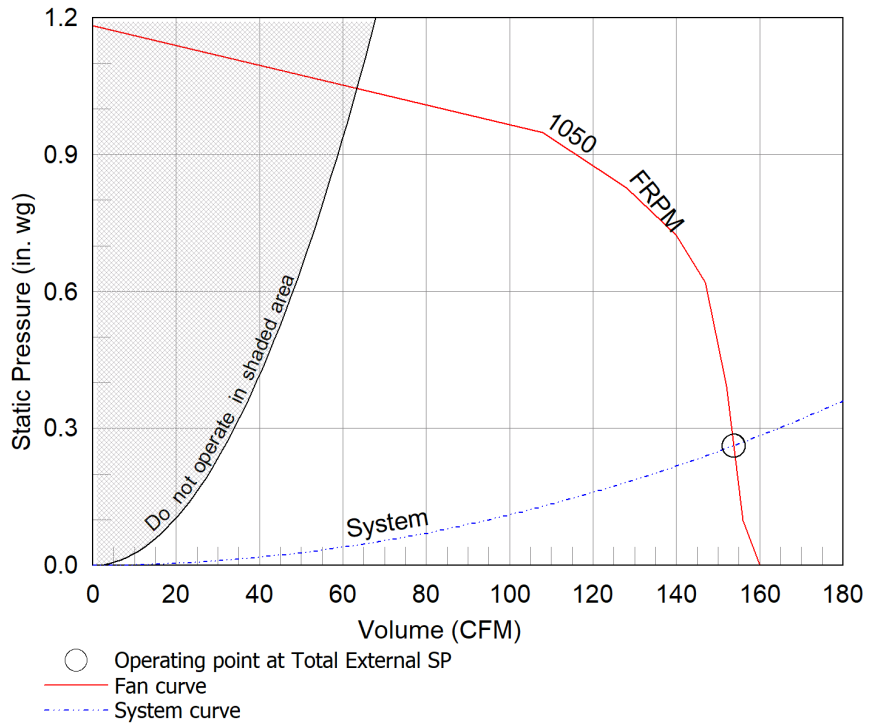
- Motor rated for continuous use
- Motor with Thermal Overload
- Motor with CSA Approval
- Motor with 40 Degree C Ambient Temperature
- UL/cUL 507 Listed - Electric Fan
- Round Duct Connection
- Isolation Kit, (PN: VI KIT-SP/CSP), Shipped Loose
- Adjustable easy installation mounting bracket
- Standard Grille
- Polypropylene Wheel Material
- Can Be Used to Comply with: ASHRAE 62.2 and Washington State Energy Code



Dimensional	
Quantity	2
Weight w/o Acc's (lb)	10
Weight w/ Acc's (lb)	11

Performance	
Requested Volume (CFM)	150
Actual Volume (CFM)	154
Total External SP (in. wg)	0.263
Fan RPM	1050
* FLA (A)	1.8
Elevation (ft)	499
Airstream Temp.(F)	70
Air Density (lb/ft3)	0.074
Sones	3.0

Motor	
Motor Mounted	Yes
** Input Watts (W)	128
Voltage/Cycle/Phase	115/60/1
Enclosure	ODP



Notes:

- All dimensions shown are in units of in.
- *FLA is approximate and will vary slightly with the motor.
- Sones - calculated using AMCA 301 at 5 ft
- ** Wattage is shown at free air.
- ** Wattage is approximate and may vary between motors.

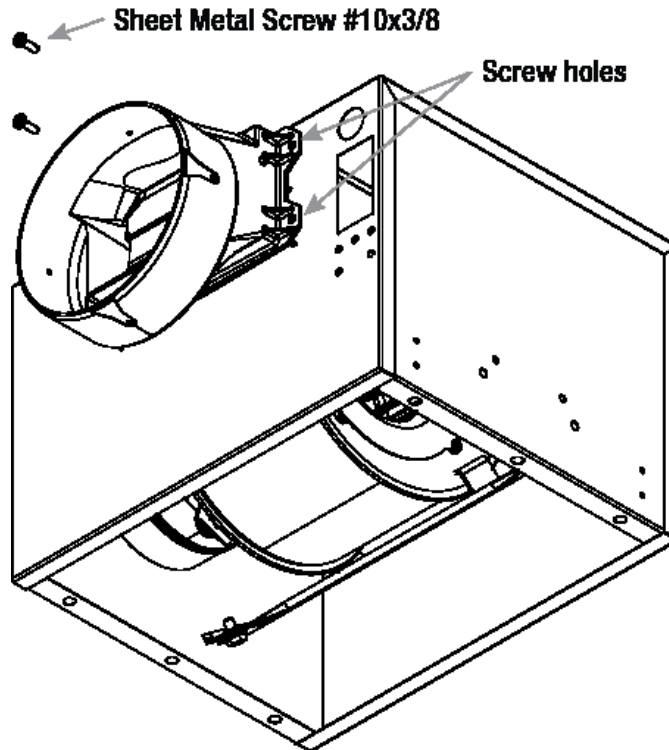


Round Duct Connector

Model: RDC

Standard Construction Features:

-Constructed of Polypropylene - Replaces the square discharge duct connector and damper using the existing mounting holes



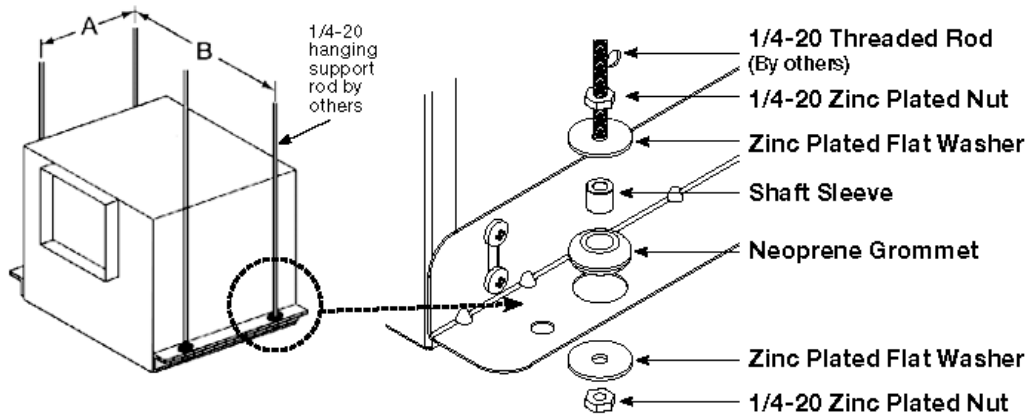
Notes: All dimensions shown are in units of in.

Isolation Kit

Type: Hanging

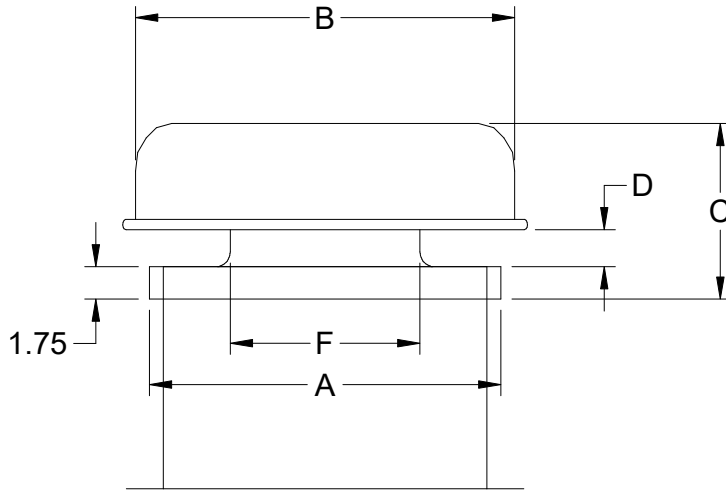
Standard Construction Features:

- Neoprene vibration isolation for hanging installation - Kit includes four isolators and all hardware necessary for mounting one unit except for the 0.25 in. x 20 in. threaded rod to be supplied by others - Fan mounting brackets include prepunched mounting holes for ease of installation



Unit Size	A	B
B50-B200	4 1/2 (114)	15 5/8 (397)
A50-A190	5 1/2 (140)	14 5/8 (371)
A200-A390	6 3/4 (171)	15 1/2 (394)
A410, A510, A710, A780	9 1/4 (235)	19 5/8 (498)
A700	5 1/2 (140)	25 1/8 (638)
A900 - A1050, A1410 - A1550	9 1/4 (235)	25 3/8 (645)
A1750, A2150	9 1/4 (235)	36 3/4 (933)
A3600	9 1/4 (235)	48 5/8 (1235)
All dimensions shown in inches (millimeters).		

Description	Qty
Neoprene Grommets	4
1 x 32 Zinc Plated Nuts	8
Zinc Plated Flat Washers	8
3/8 x 3/16 Shaft Sleeves	4



Model: GRSR

Standard Construction Features:

- Aluminum housing.
- Aluminum curb cap with prepunched mounting holes.
- Recommended roof opening dimension is at least 2.5 in. larger than the damper size.

Dimensions

ID#	Tag	Qty	Model	Model Size (in.)	A (in.)	B (in.)	C (in.)	D (in.)	E (in.)	F (in.)	Curb Cap Width (in.)	Curb Cap Length (in.)	Weight (lb)
1-1		1	GRSR-10	10	19	20.5	9.5	2	N/A	10.25	19	19	8

Construction

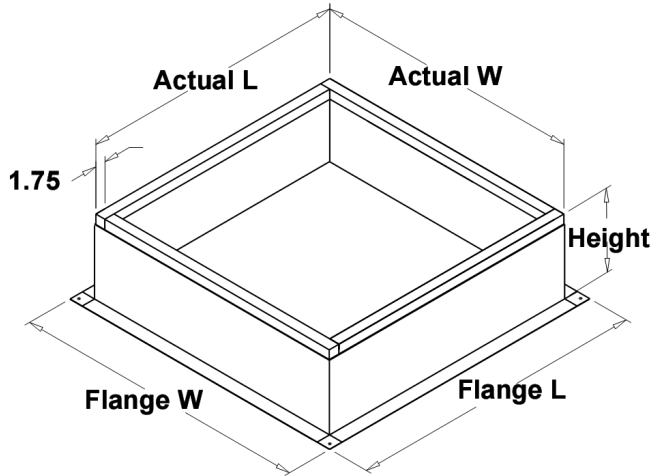
ID#	Flashing Flange	Installation Type	Insect Screen	Birdscreen Material	Unit Material
1-1	No	Ducted	No	Galvanized	Aluminum

Accessories

ID#	Hinged Curb Cap	Curb Seal	Hood Insulation (in.)	Tie Down Points
1-1	No	No	None	No

Roof Curbs

ID#	Model	Height (in.)	Width (in.)	Length (in.)
1-1	GPI	12	19	19



Model: GPI

Roof Curb

Standard Construction Features:

- Roof Curb fits between the building roof and the fan mounted directly to the roof support structure - Constructed of either 18 ga galvanized steel or 0.064 in. aluminum - Straight Sided without a cant - 2 in. mounting flange - 3 lb density insulation - Height - Available from 12 in. to 42 in. as specified in 0.5 in. increments. Notes: - The maximum roof opening dimension should not be greater than the "Actual" top outside dimension minus 2 in.. - The minimum roof opening dimension should be at least 2.5 in. more than the damper dimension or recommended duct size. - The Roof Opening Dimension may or may not be the same as the Structural Opening Dimension. - Damper Tray is optional and must be specified. Tray size is same as damper size. - Security bars are optional and must be specified. Frames and gridwork are all 12 ga steel. Gridwork is welded to the frame and the frame is welded to the curb.

General

ID#	Tag	Qty	Model	Sizing Method	Undersizing (in.)	Weight (lb)	Shipped Assembled	Union Made
1-1		1	GPI-19-G12	Nominal	1.5	16	Yes	No Preference

Dimensions

ID#	Curb Height (in.)	Nominal Outside Width (in.)	Nominal Outside Length (in.)	Actual Outside Width (in.)	Actual Outside Length (in.)
1-1	12	19	19	17.5	17.5

Accessories

ID#	Material	Security Bars	Liner	Insulation (in.)	Insulation R Value
1-1	Galvanized	No	No	1	R4.3