

HOOD INFORMATION - JOB#6290596

HOOD NO	TAG	MODEL	MANUFACTURER	LENGTH	MAX COOKING TEMP	TYPE	APPLIANCE DUTY	DESIGN CFM/FT	TOTAL EXH. CFM	EXHAUST PLENUM RISER(S)				TOTAL SUPPLY CFM	HOOD CONSTRUCTION	HOOD CONFIG			
										WIDTH	LENG	HEIGHT	DIA			CFM	VEL	SP	END TO END
1	HD1	5424 EX-2-PSP-F	ECON-AIR	14' 0"	600 DEG	I	HEAVY	200	2800	12'	20'	4'	2800	1680	-0.559'	2240	430 SS WHERE EXPOSED	ALONE	ALONE

HOOD INFORMATION

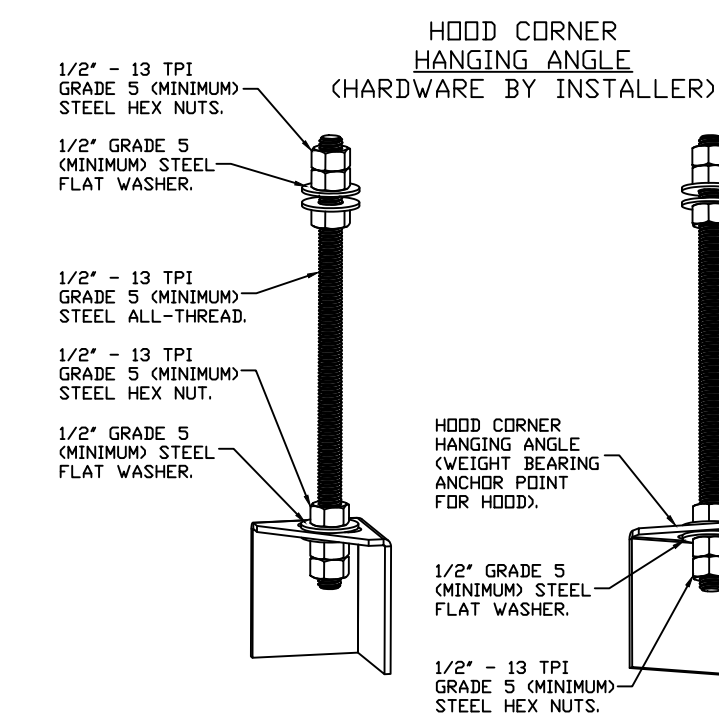
HOOD NO	TAG	FILTER(S)				LIGHT(S)				UTILITY CABINET(S)				FIRE SYSTEM PIPING	HOOD HANGING WEIGHT		
		TYPE	QTY	HEIGHT	LENGTH	EFFICIENCY @ 7 MICRONS	QTY	TYPE	WIRE GUARD	LOCATION	SIZE	FIRE SYSTEM	SIZE			ELECTRICAL MODEL #	SWITCHES QUANTITY
1	HD1	SS BAFFLE WITH HANDLES	10	16"	16"	30%	5	L55 SERIES E26	NO	RIGHT	12"x54"x24"	TANK FS	4.0/4.0/4.0	SC-311110MA	1 LIGHT 1 FAN	YES	1125 LBS

HOOD OPTIONS

HOOD NO	TAG	OPTION
1	HD1	FIELD WRAPPER 17.00' HIGH FRONT, LEFT, RIGHT. BACKSPLASH 80.00' HIGH X 180.00' LONG 430 SS VERTICAL. BACKSPLASH 120.00' HIGH X 18.00' LONG 430 SS VERTICAL. BACKSPLASH 120.00' HIGH X 18.00' LONG 430 SS VERTICAL. RIGHT QUARTER END PANEL 23' TOP WIDTH, 0' BOTTOM WIDTH, 23' HIGH 430 SS. LEFT QUARTER END PANEL 23' TOP WIDTH, 0' BOTTOM WIDTH, 23' HIGH 430 SS. SENSOR-CV.

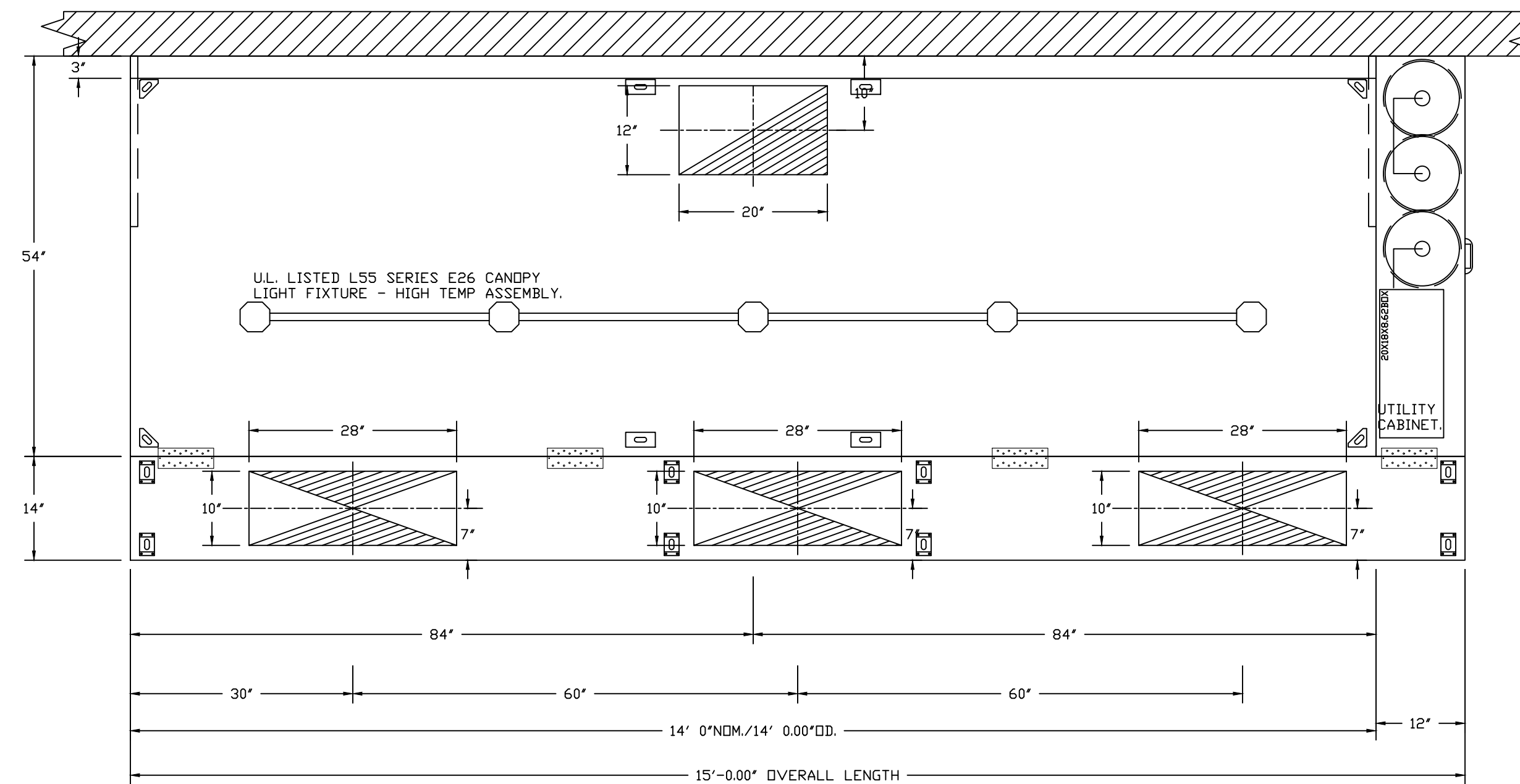
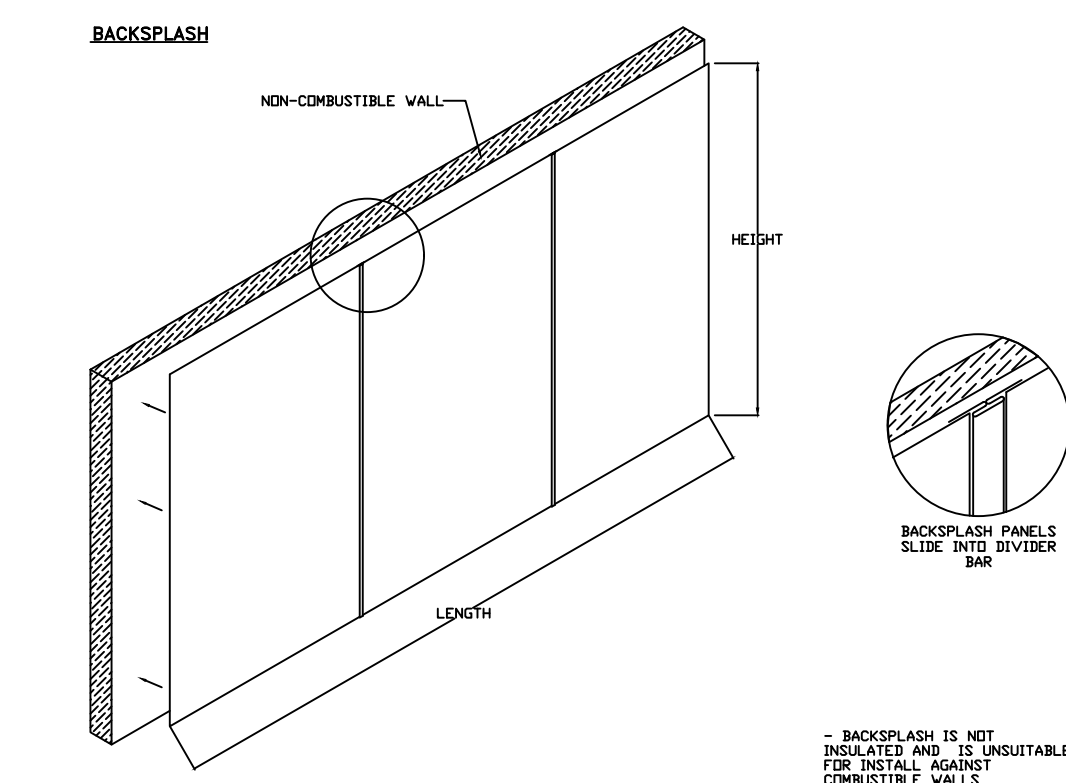
PERFORATED SUPPLY PLENUM(S)

HOOD NO	TAG	PDS	LENGTH	WIDTH	HEIGHT	TYPE	RISER(S)				
							WIDTH	LENG	DIA	CFM	SP
1	HD1	Front	180'	14'	6'	MUA	10"	28"		746	0.216"
						MUA	10"	28"		746	0.216"
						MUA	10"	28"		746	0.216"

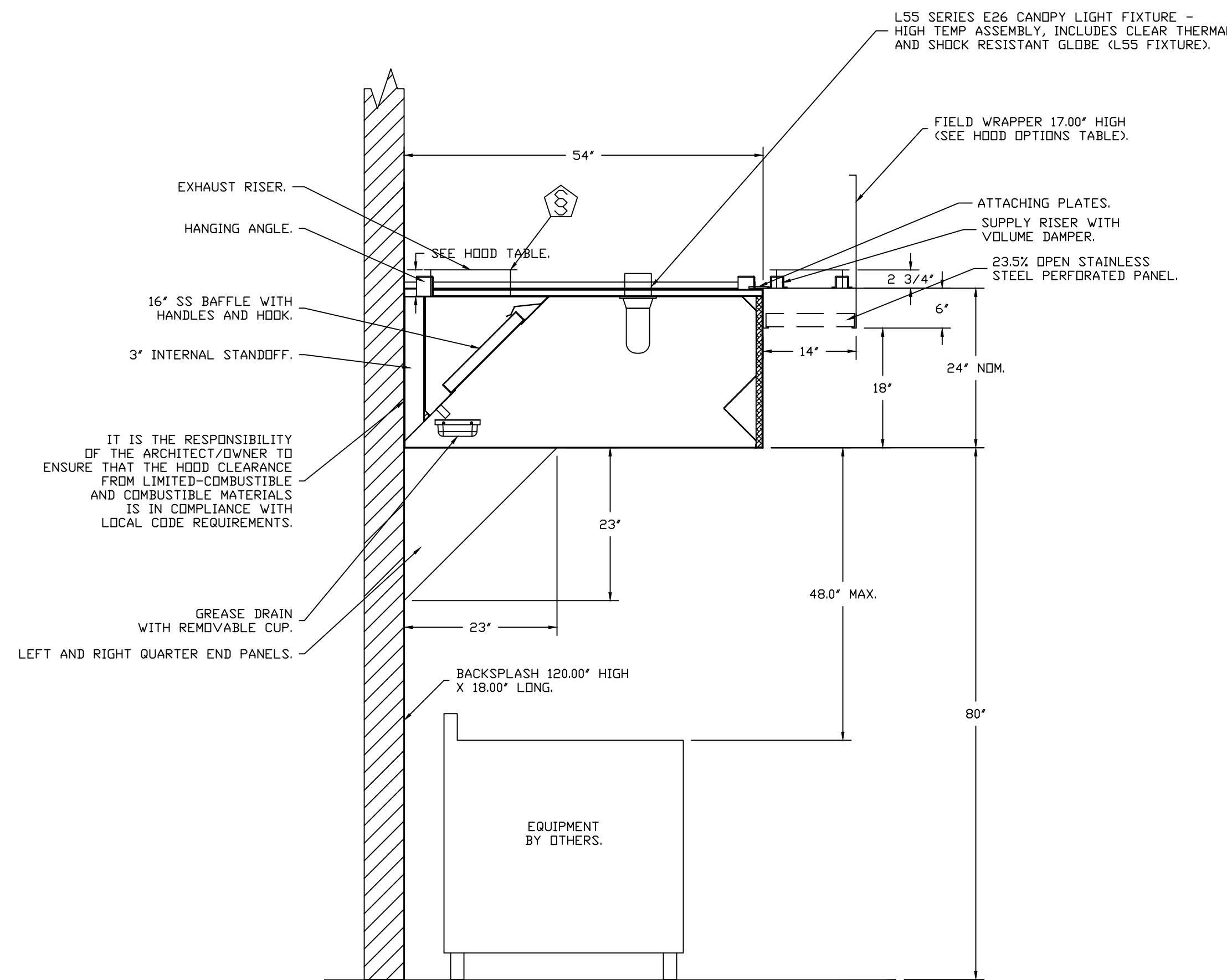


ASSEMBLY INSTRUCTIONS

HANGING ANGLE MUST BE SUPPORTED WITH 1/2" - 13 TPI GRADE 5 (MINIMUM) ALL-THREAD, SANDWICH HANGING ANGLES AND CEILING ANCHOR POINTS WITH 1/2" GRADE 5 (MINIMUM) STEEL FLAT WASHERS AND 1/2" - 13 TPI GRADE 5 (MINIMUM) HEX NUTS AS SHOWN. MUST USE DOUBLED HEX NUT CONFIGURATION BENEATH HOOD HANGING ANGLES AND ABOVE CEILING ANCHORS. MAINTAIN 1/4" OF EXPOSED THREADS BENEATH BOTTOM HEX NUT. TORQUE ALL HEX NUTS TO 57 FT-LBS.



PLAN VIEW - HOOD #1 (HD1)
14' 0.00" LONG 5424EX-2-PSP-F
NOTE: ADDITIONAL HANGING ANGLES PROVIDED FOR HOODS 12" AND LONGER.



SECTION VIEW - MODEL 5424EX-2-PSP-F
HOOD - #1 (HD1)

PATENT NUMBERS

AC-PSP (UNITED STATES) - US PATENT 7963830 B2.
AC-PSP WALL (CANADA) - CA PATENT 2820509.
AC-PSP ISLAND (CANADA) - CA PATENT 2520330.

CAPTIVE-AIRE HOODS ARE BUILT IN COMPLIANCE WITH UL 710 AND NFPA 96 AND ARE RECOGNIZED BY ONE OR MORE OF THE FOLLOWING:

ETL SANITATION LISTED
ETL LISTED FILE# 3054804-001

HOOD SYSTEM IS FABRICATED & DESIGNED PER UL-710 STANDARDS

REVISIONS

DESCRIPTION	DATE

www.econair.com
Air Solutions
1329 East Kemper Rd., Ste. 4210, Cincinnati, OH, 45246 PHONE: (513) 860 - 5555 EMAIL: reg120@econair.com

9187 Lighthouse Way (Loveland, OH)
9187 Lighthouse Way,
Loveland, OH, 45140

DATE: 10/23/2023
DWG.#: 6290596
DRAWN BY:
SCALE: 3/4" = 1'-0"
MASTER DRAWING

FOR QUESTIONS, CALL THE
Air Solutions
REGION 120
PHONE: (513) 860 - 5555
EMAIL: reg120@econair.com

SHEET NO.
1

EXHAUST FAN INFORMATION - JOB#6290596

FAN UNIT NO	TAG	QTY	FAN UNIT MODEL #	MANUFACTURER	CFM	ESP	RPM	MOTOR ENCL	HP	BHP	PHASE	VOLT	FLA	DISCHARGE VELOCITY	WEIGHT (LBS)	SDNES
2	EF-1	1	EADU180H	ECDN-AIR	2800	1.000	1111	DDP,PREMIUM	1.500	1.0520	3	208	6.6	647 FPM	194	13.6

MUA FAN INFORMATION - JOB#6290596

FAN UNIT NO	TAG	QTY	FAN UNIT MODEL #	BLOWER	HOUSING	MIN CFM	DESIGN CFM	ESP	RPM	MOTOR ENCL	HP	BHP	PHASE	VOLT	FLA	MCA	MOCP	WEIGHT (LBS)	SDNES
1	HMUA-1	1	EA2-D.250-20D	20MF-2-MDD	A2-D.250	2000	2240	0.500	1028	DDP,PREMIUM	1.000	0.5870	3	208	3.8	6A	15A	655	7.2

GAS FIRED MAKE-UP AIR UNIT(S)

FAN UNIT NO	TAG	INPUT BTUs	OUTPUT BTUs	TEMP RISE	REQUIRED INPUT GAS PRESSURE	GAS TYPE	BURNER EFFICIENCY(%)
1	HMUA-1	159440	146685	63°F	7 IN. W.C. - 14 IN. W.C.	NATURAL	92

FAN OPTIONS

FAN UNIT NO	TAG	QTY	DESCRIPTION		
1	HMUA-1	1	SIZE 2 DIRECT FIRED HEATER LOW CFM PROFILE PACKAGE - USED ON HEATERS UNDER 2500 CFM		
		1	SIZE 2 TEMPERED COMMERCIAL DOWN DISCHARGE FOR DIRECT DRIVE AHUS		
		1	INLET PRESSURE GAUGE, 0-35"		
		1	MANIFOLD PRESSURE GAUGE, -5 TO 15" WC		
		1	BUTTERFLY MOD VALVE OPTION FOR MOD SIZE 2 (1" MOD VALVE)		
		1	MOTORIZED BACKDRAFT DAMPER FOR A2-D HOUSING - MEETS AMCA CLASS 1A RATING		
		1	UNIT MOUNTED VFD FOR USE WITH ECPM03		
		1	2 YEAR PARTS WARRANTY		
		2	EF-1	1	GREASE BOX
				1	FAN BASE CERAMIC SEAL - SHIP LOOSE - FOR GREASE DUCTS
1	EXHAUST FAN HEAT BAFFLE				
1	UNIT MOUNTED VFD FOR USE WITH ECPM03				
1	VFD MOUNTING BRACKET FOR DU/DR 180 - 200				
1	2 YEAR PARTS WARRANTY				

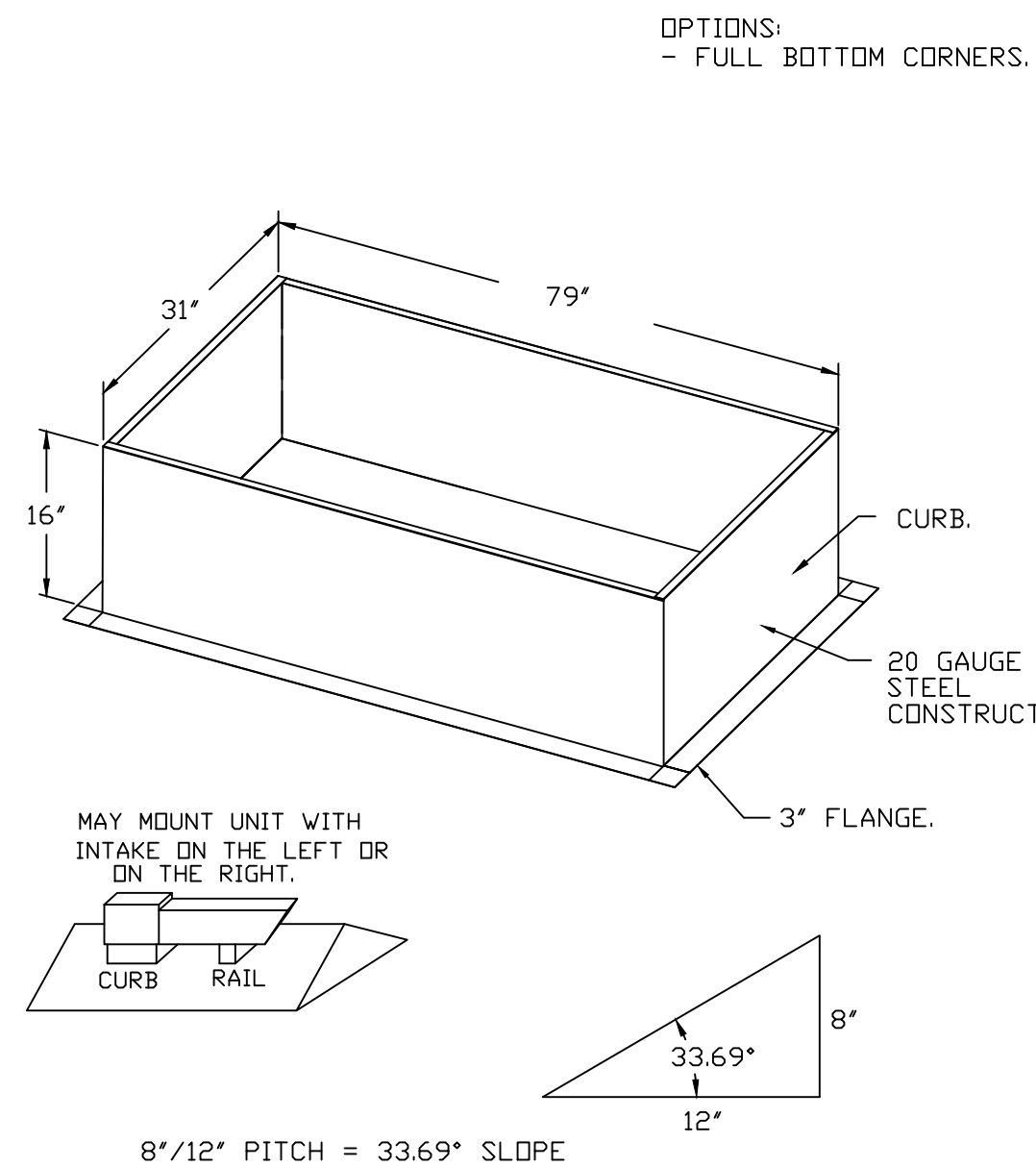
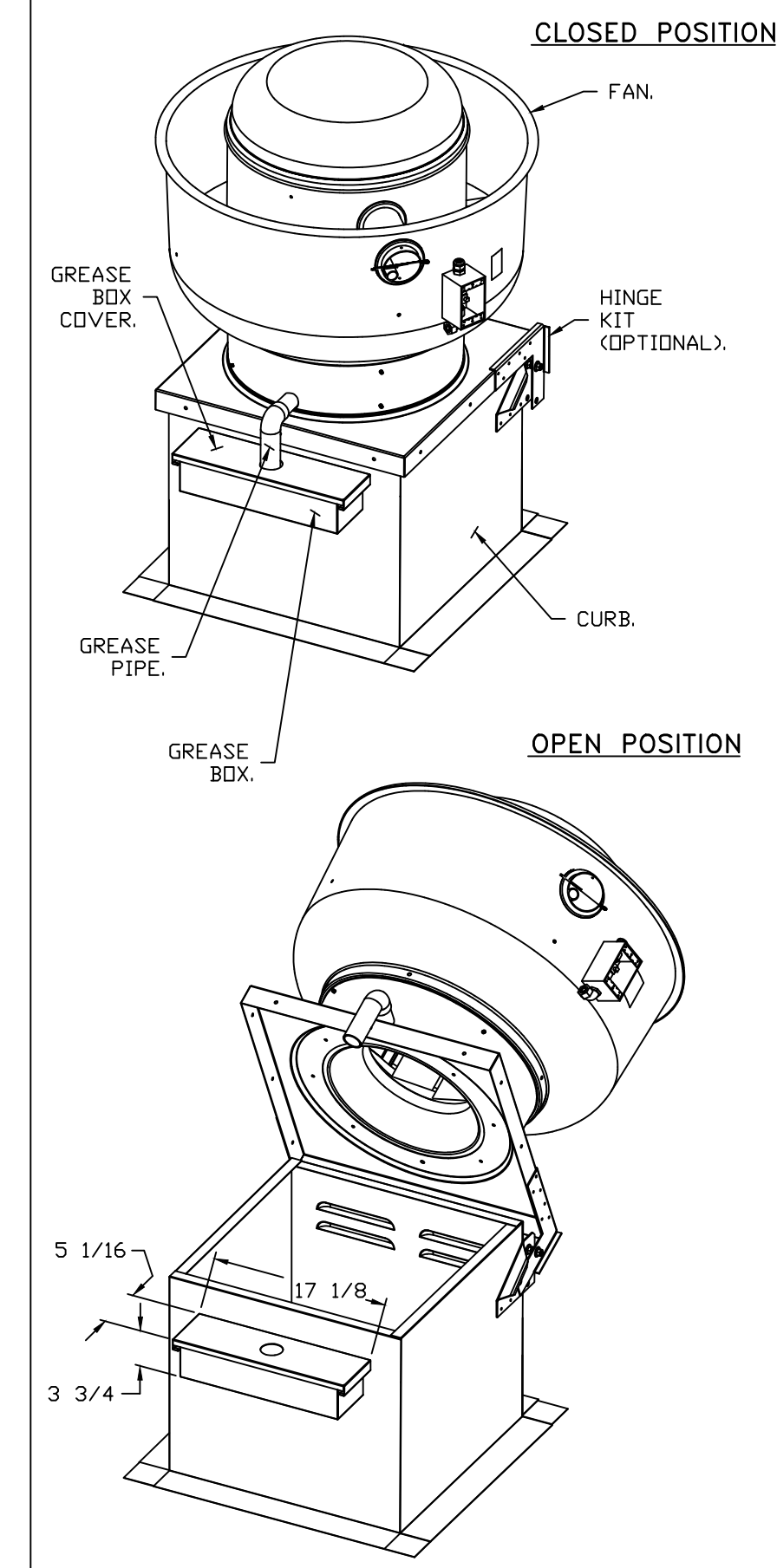
FAN ACCESSORIES

FAN UNIT NO	TAG	EXHAUST				SUPPLY			
		GREASE CUP	GRAVITY DAMPER	WALL MOUNT	SIDE DISCHARGE	GRAVITY DAMPER	MOTORIZED DAMPER	WALL MOUNT	
1	HMUA-1						YES		
2	EF-1	YES							

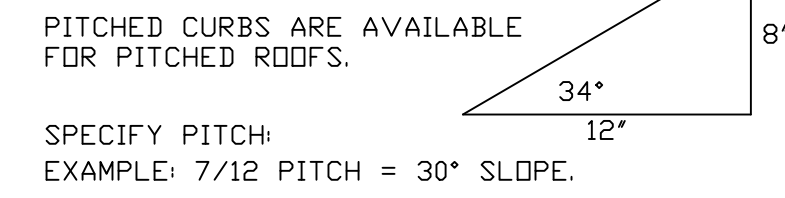
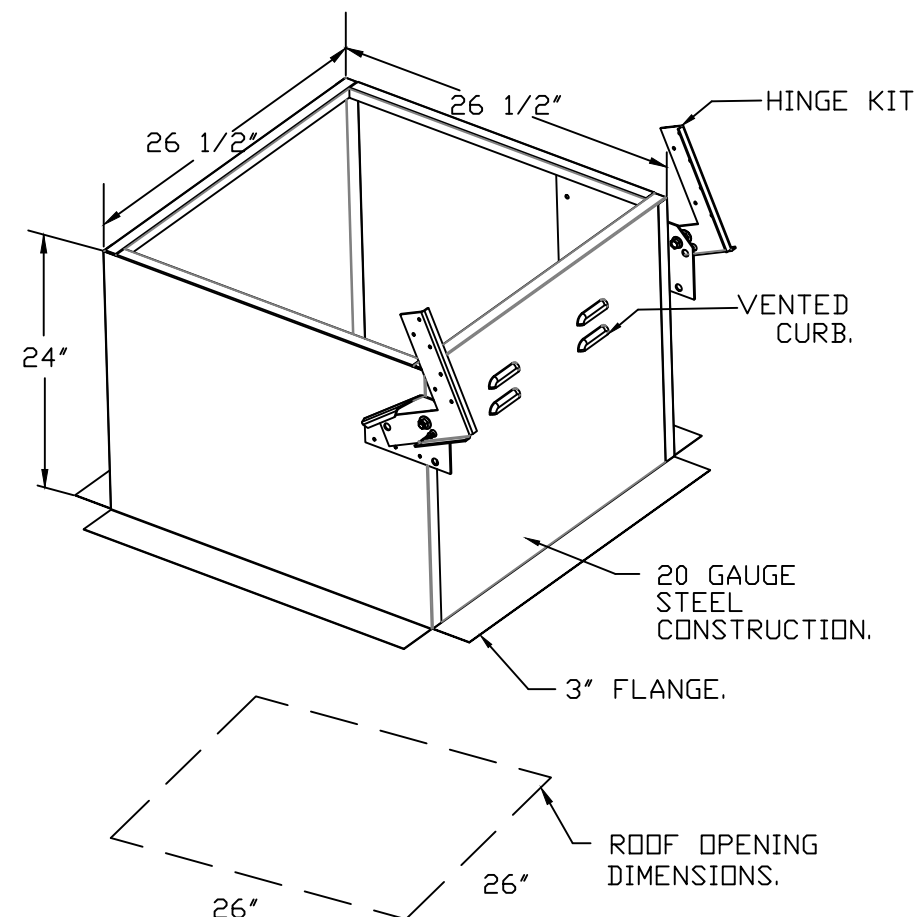
CURB ASSEMBLIES

NO	ON FAN	TAG	WEIGHT	ITEM	SIZE
1	# 1	HMUA-1	76 LBS	CURB	31.000"W X 79.000"L X 16.000"H 8.000:12.000 PITCH ALONG WIDTH, RIGHT INSULATED.
2	# 2	EF-1	48 LBS	CURB	26.500"W X 26.500"L X 24.000"H 8.000:12.000 PITCH ALONG LENGTH, RIGHT VENTED HINGED.

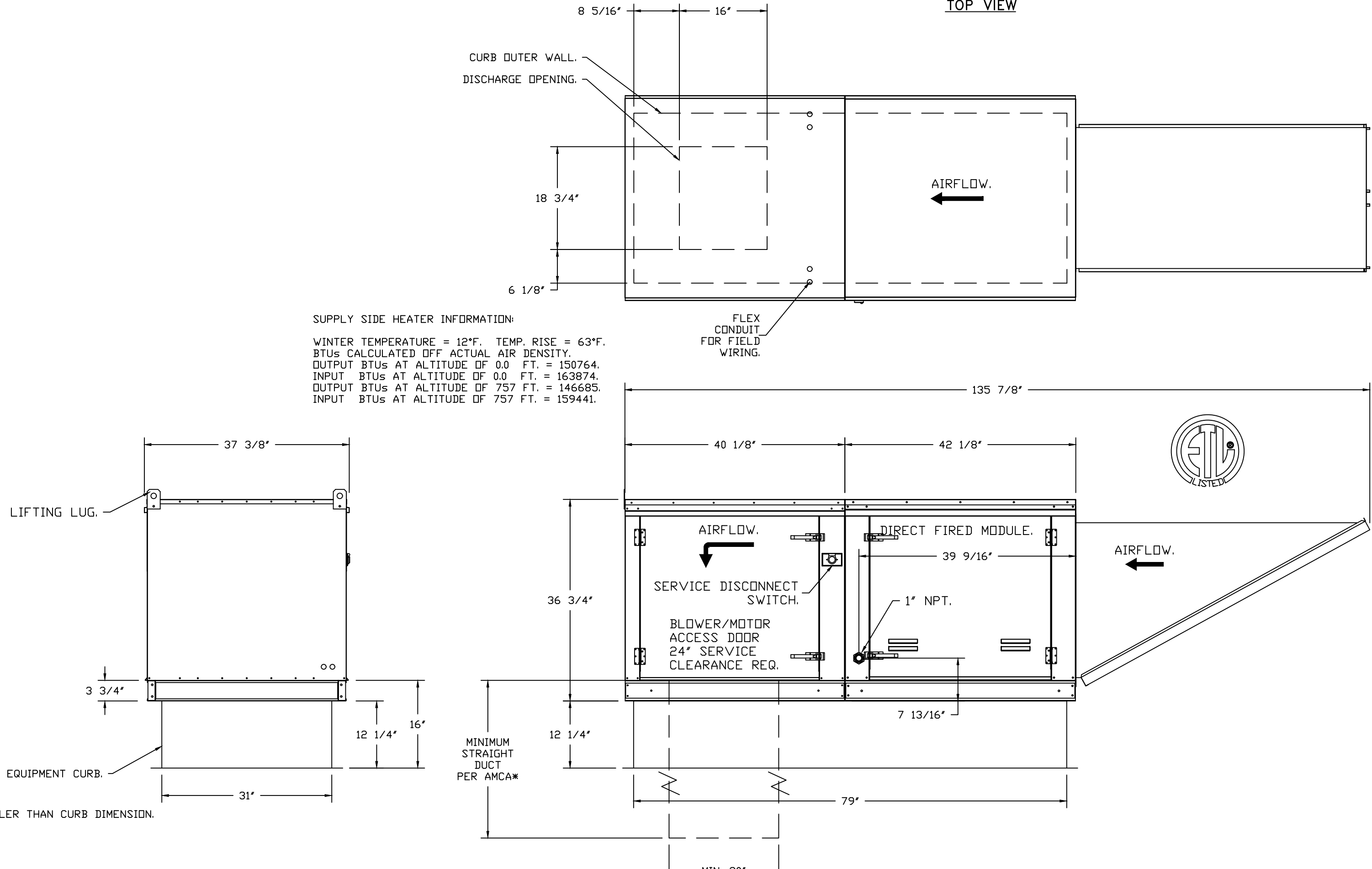
GREASE BOX INSTALLATION



ROOF OPENING 2" SMALLER THAN CURB DIMENSION.



- FAN #1 EA2-D.250-20D - HEATER (HMUA-1)**
- DIRECT GAS FIRED HEATED MAKE UP AIR UNIT WITH 20" MIXED FLOW DIRECT DRIVE FAN.
 - INTAKE HOOD WITH EZ FILTERS.
 - DOWN DISCHARGE - AIR FLOW RIGHT -> LEFT.
 - PROFILE PLATE CONFIGURATION FOR SIZE 2 DIRECT FIRED UNIT FOR LOW CFM APPLICATIONS.
 - DOWN DISCHARGE CONSTRUCTION FOR SIZE 2 DIRECT DRIVE AHUS.
 - GAS PRESSURE GAUGE, 0-35", 2.5" DIAMETER, 1/4" THREAD SIZE.
 - GAS PRESSURE GAUGE, -5 TO +15 INCHES WC, 2.5" DIAMETER, 1/4" THREAD SIZE.
 - BUTTERFLY MOD VALVE OPTION FOR MOD SIZE 2 (1" MOD VALVE).
 - MOTORIZED BACK DRAFT DAMPER 22.75" X 24" FOR SIZE 2 STANDARD & MODULAR HEATER UNITS W/EXTENDED SHAFT, STANDARD GALVANIZED CONSTRUCTION, 3/4" REAR FLANGE, LOW LEAKAGE, LF120S ACTUATOR INCLUDED.
 - UNIT MOUNTED VFD FOR USE WITH ECPM03.
 - HINGED DOUBLE WALL INSULATED DDDR ASSEMBLY (BURNER/BLOWER SECTION).
 - 2 YEAR PARTS WARRANTY.
- *NOTE: SUPPLY DUCT MUST BE INSTALLED TO MEET SMACNA STANDARDS. A MINIMUM STRAIGHT DUCT LENGTH MUST BE MAINTAINED DOWNSTREAM OF UNIT DISCHARGE AS OUTLINED IN AMCA PUBLICATION 201. WHEN USING RECTANGULAR DUCTWORK, ELBOWS MUST BE RADIUS THROAT, RADIUS BACK WITH TURNING VANES. FLEXIBLE DUCTWORK AND SQUARE THROAT/SQUARE BACK ELBOWS SHOULD NOT BE USED. ANY TRANSITION AND/OR TURNS IN THE DUCTWORK WILL CAUSE SYSTEM EFFECT. SYSTEM EFFECT WILL DRASTICALLY INCREASE STATIC PRESSURE AND REDUCE AIRFLOW. DO NOT RELY ON UNIT TO SUPPORT DUCT IN ANY WAY. FAILURE TO PROPERLY SIZE DUCTWORK MAY CAUSE SYSTEM EFFECTS AND REDUCE PERFORMANCE OF THE EQUIPMENT. SUGGESTED STRAIGHT DUCT SIZE IS 20" X 20".**



FEATURES:

- DIRECT DRIVE CONSTRUCTION (NO BELTS/PULLEYS).
- ROOF MOUNTED FANS.
- RESTAURANT MODEL.
- UL705 AND UL762 AND ULC-S645
- VARIABLE SPEED CONTRL.
- INTERNAL WIRING.
- THERMAL OVERLOAD PROTECTION (SINGLE PHASE).
- HIGH HEAT OPERATION 300°F (149°C).
- GREASE CLASSIFICATION TESTING.
- NEMA 3R SAFETY DISCONNECT SWITCH.

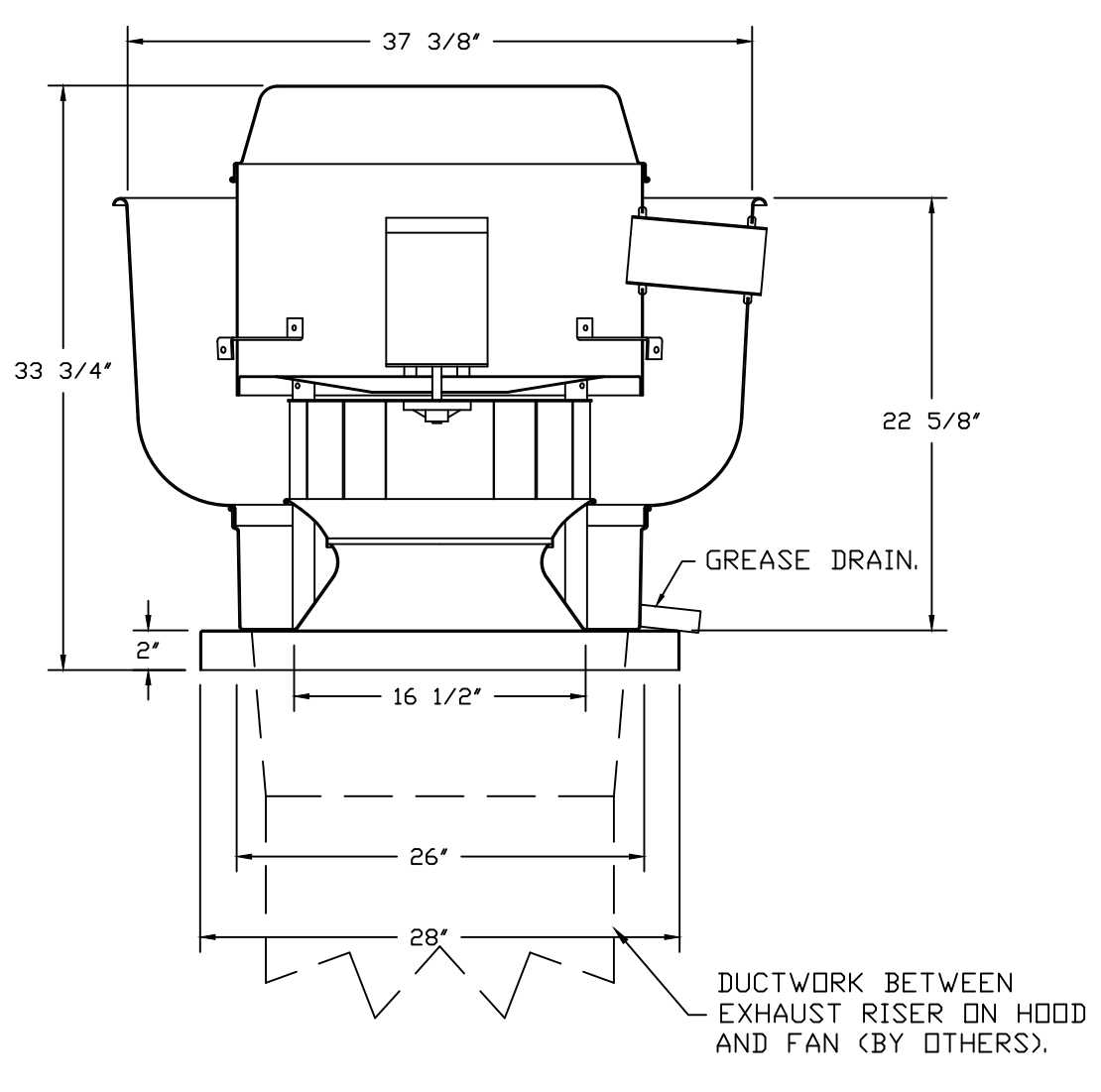
NORMAL TEMPERATURE TEST
EXHAUST FAN MUST OPERATE CONTINUOUSLY WHILE EXHAUSTING AIR AT 300°F (149°C) UNTIL ALL FAN PARTS HAVE REACHED THERMAL EQUILIBRIUM, AND WITHOUT ANY DETERIORATING EFFECTS TO THE FAN WHICH WOULD CAUSE UNSAFE OPERATION.

ABNORMAL FLARE-UP TEST
EXHAUST FAN MUST OPERATE CONTINUOUSLY WHILE EXHAUSTING BURNING GREASE VAPORS AT 600°F (316°C) FOR A PERIOD OF 15 MINUTES WITHOUT THE FAN BECOMING DAMAGED TO ANY EXTENT THAT COULD CAUSE AN UNSAFE CONDITION.

OPTIONS

- GREASE BOX.
- FAN BASE CERAMIC SEAL - SHIP LOOSE
- FOR GREASE DUCTS
- EXHAUST FAN HEAT BAFFLE.
- UNIT MOUNTED VFD FOR USE WITH ECPM03.
- VFD MOUNTING BRACKET FOR DU/DR 180 - 200.
- 2 YEAR PARTS WARRANTY.

FAN #2 EADU180H - EXHAUST FAN (EF-1)



REVISIONS

DESCRIPTION	DATE:

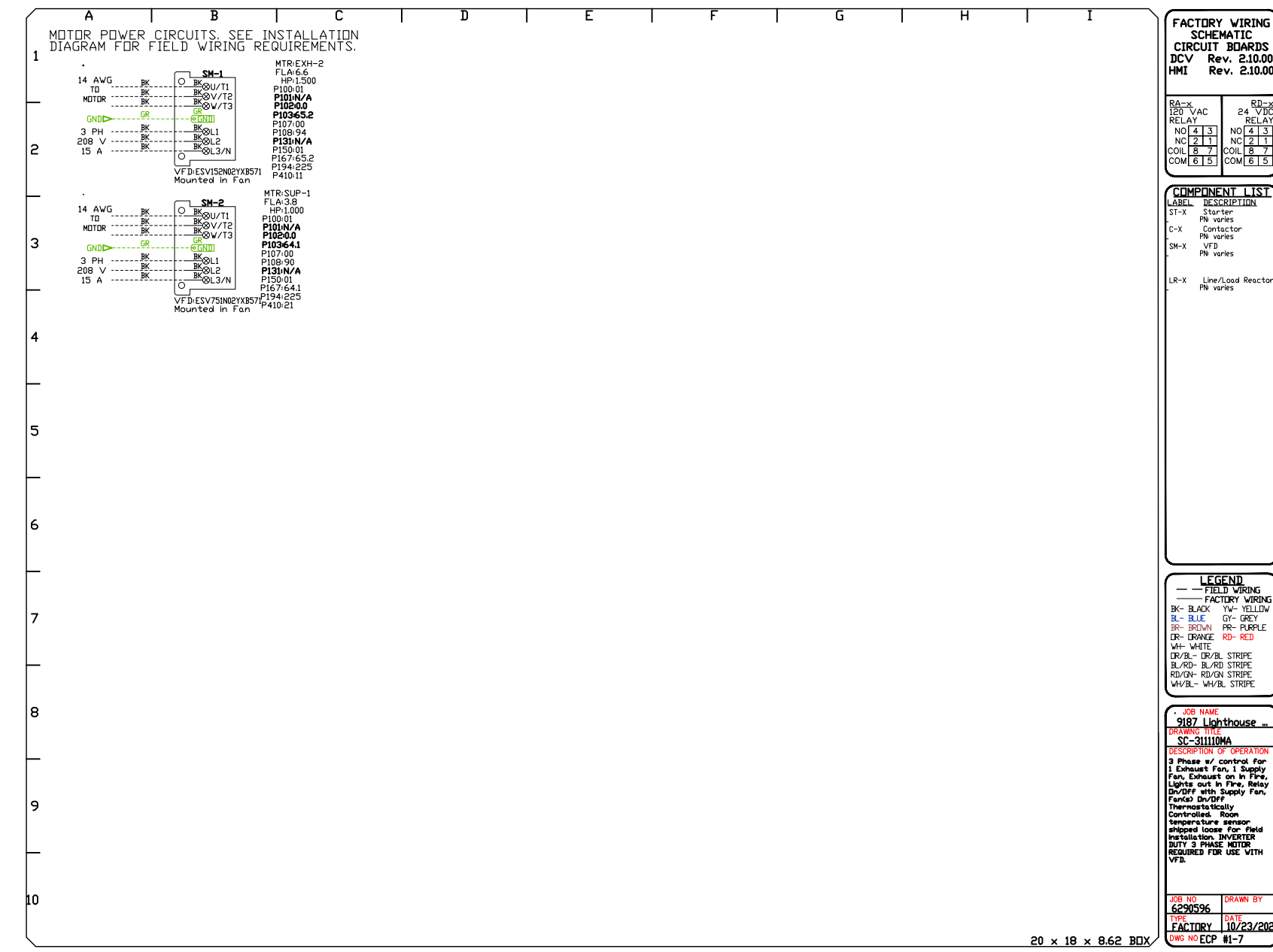
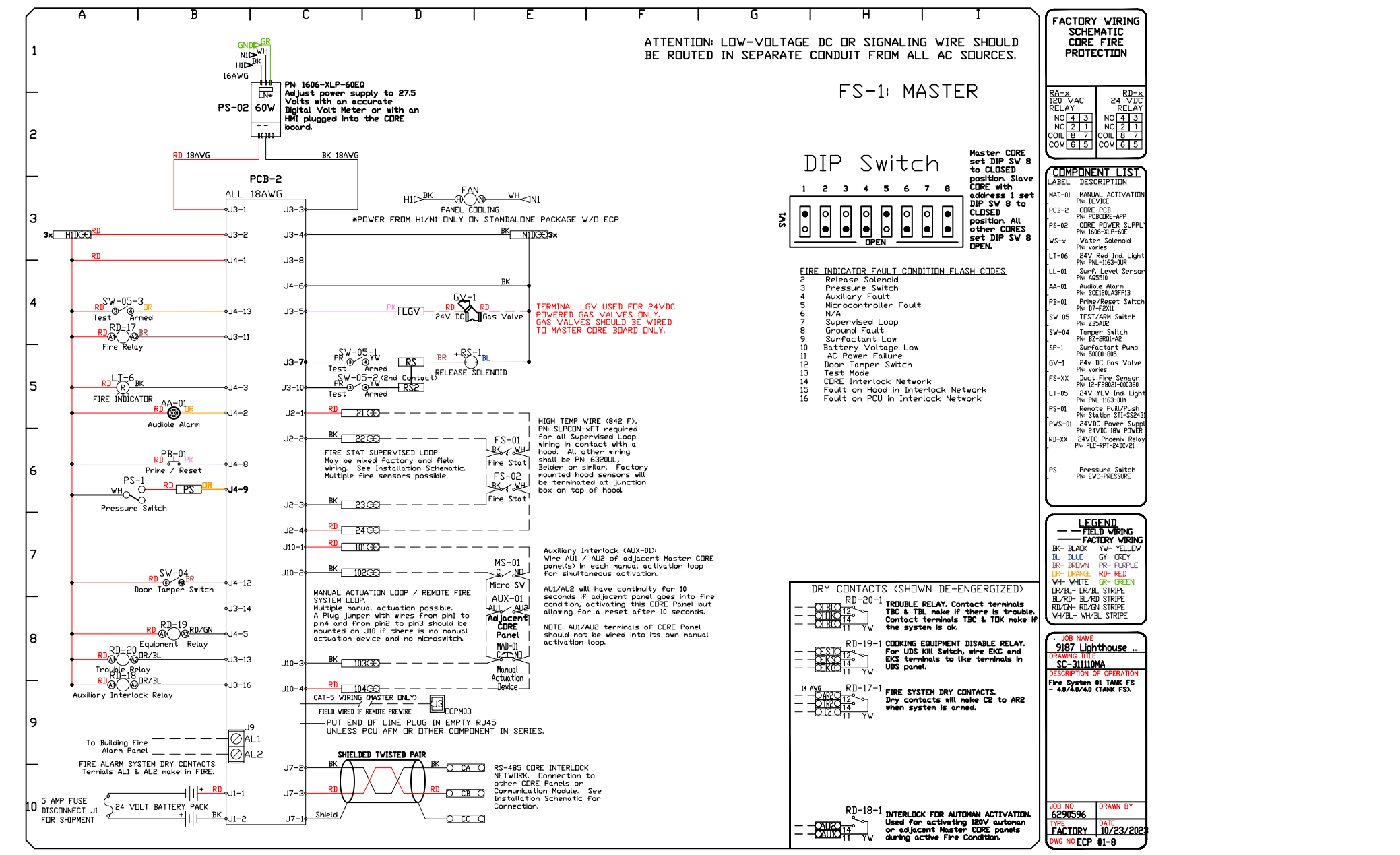
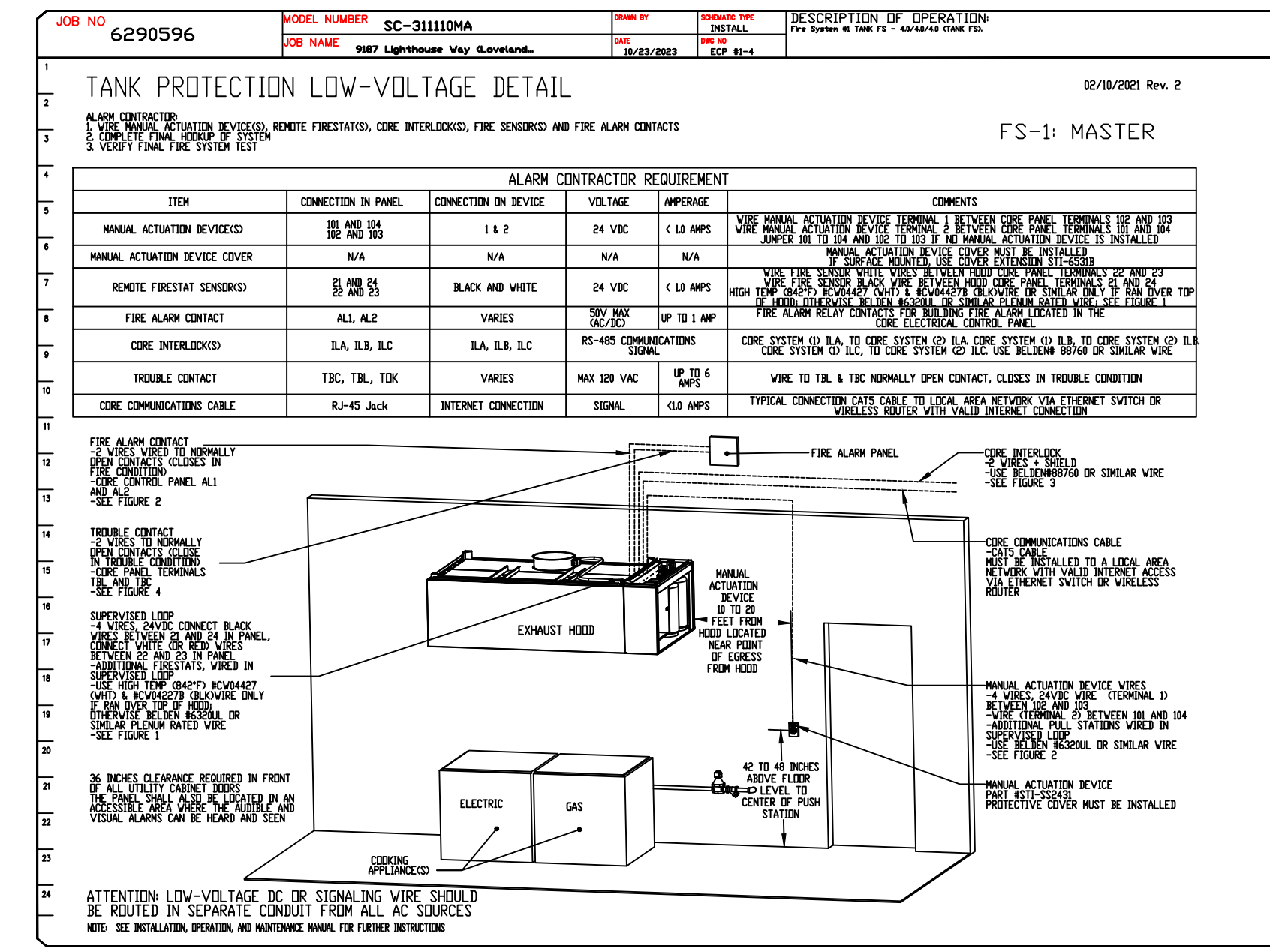
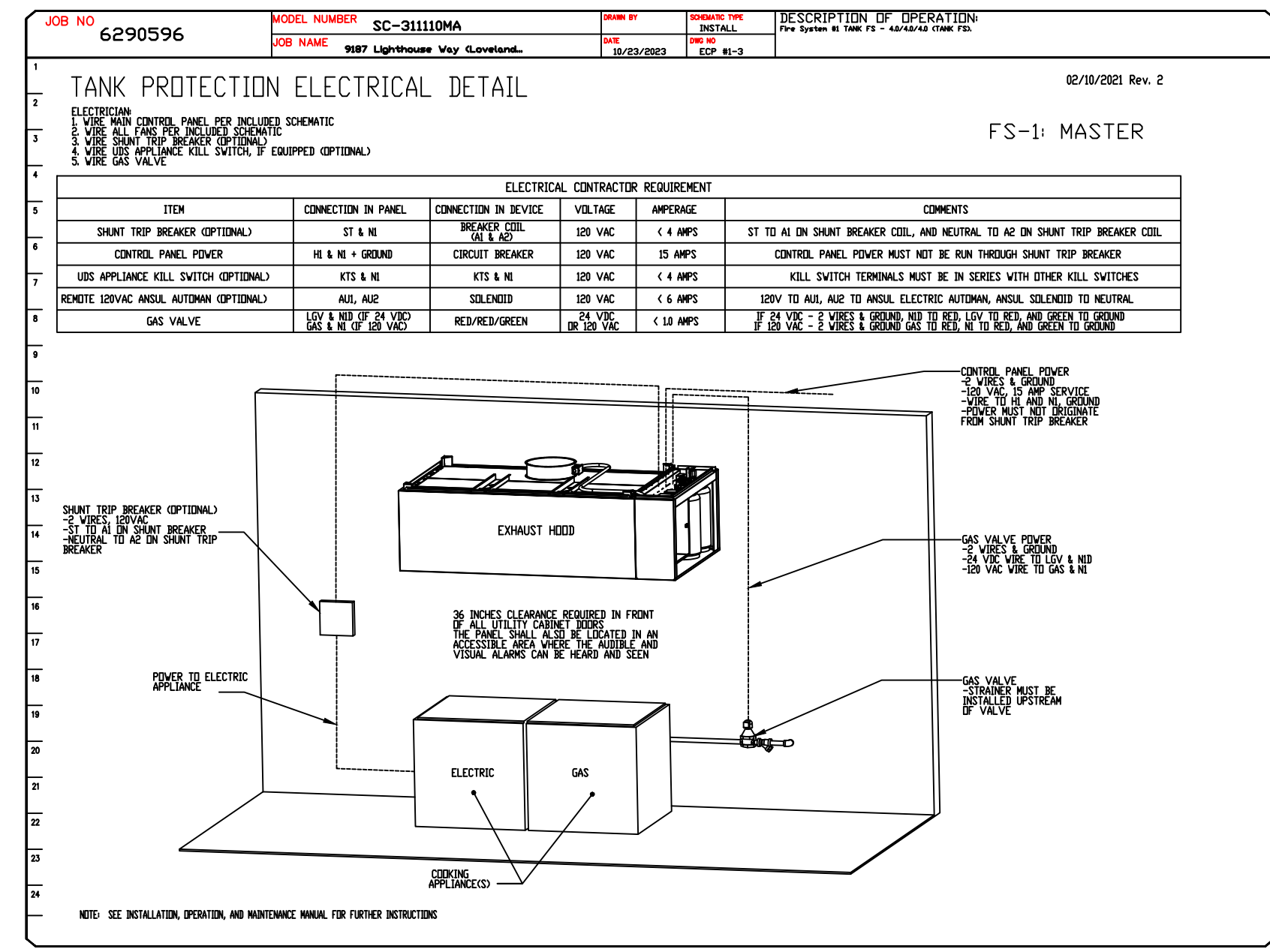
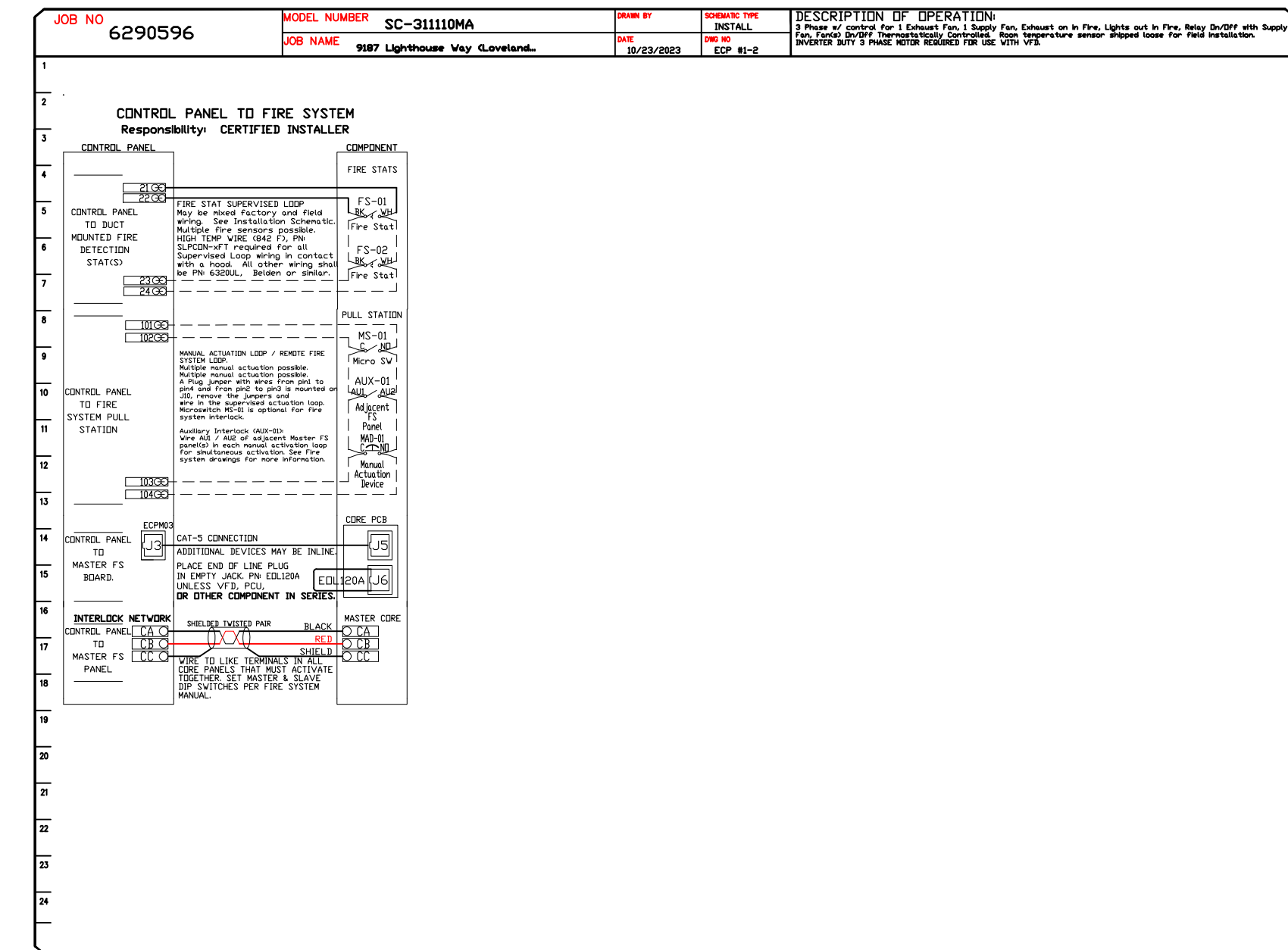
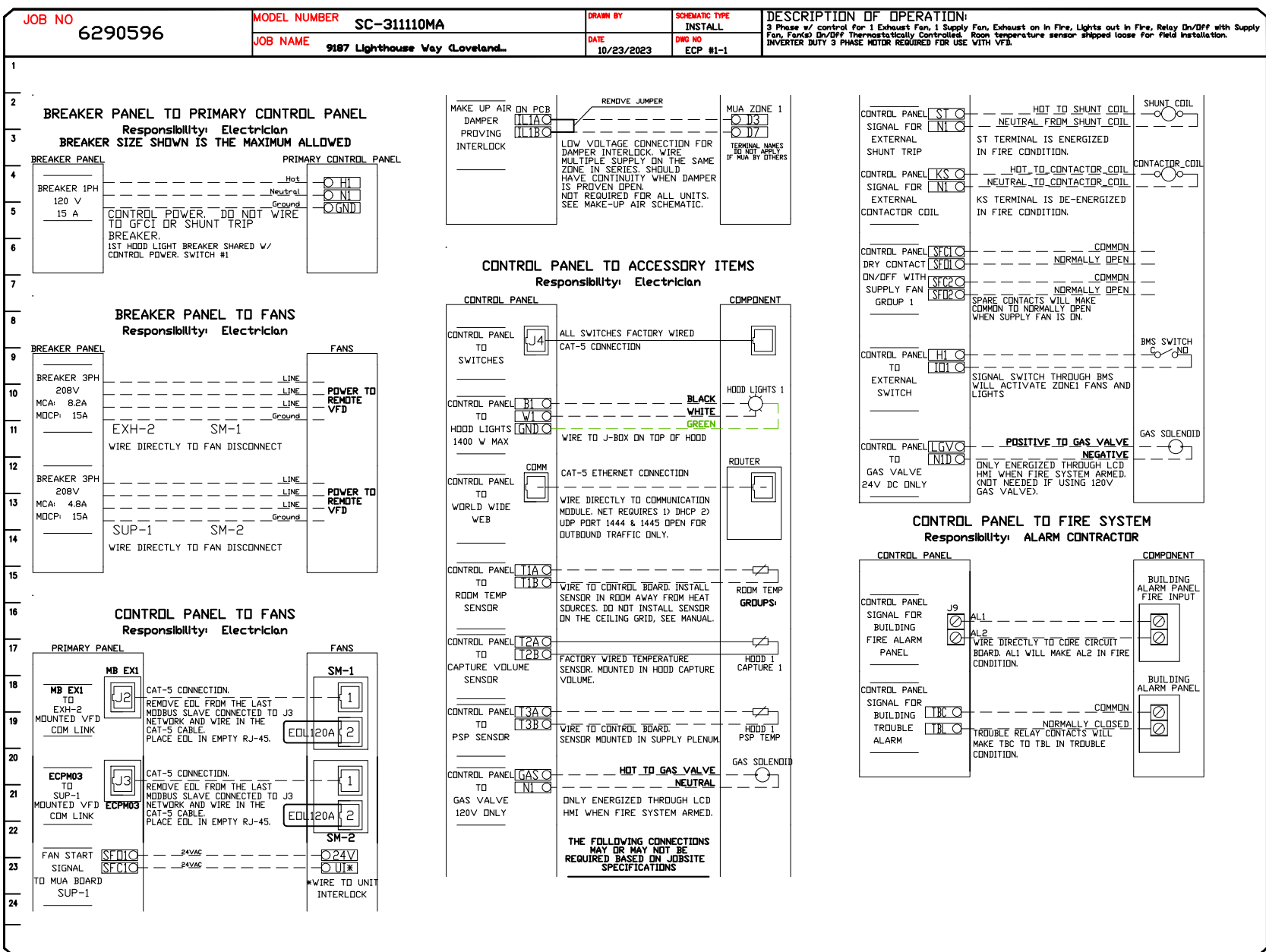
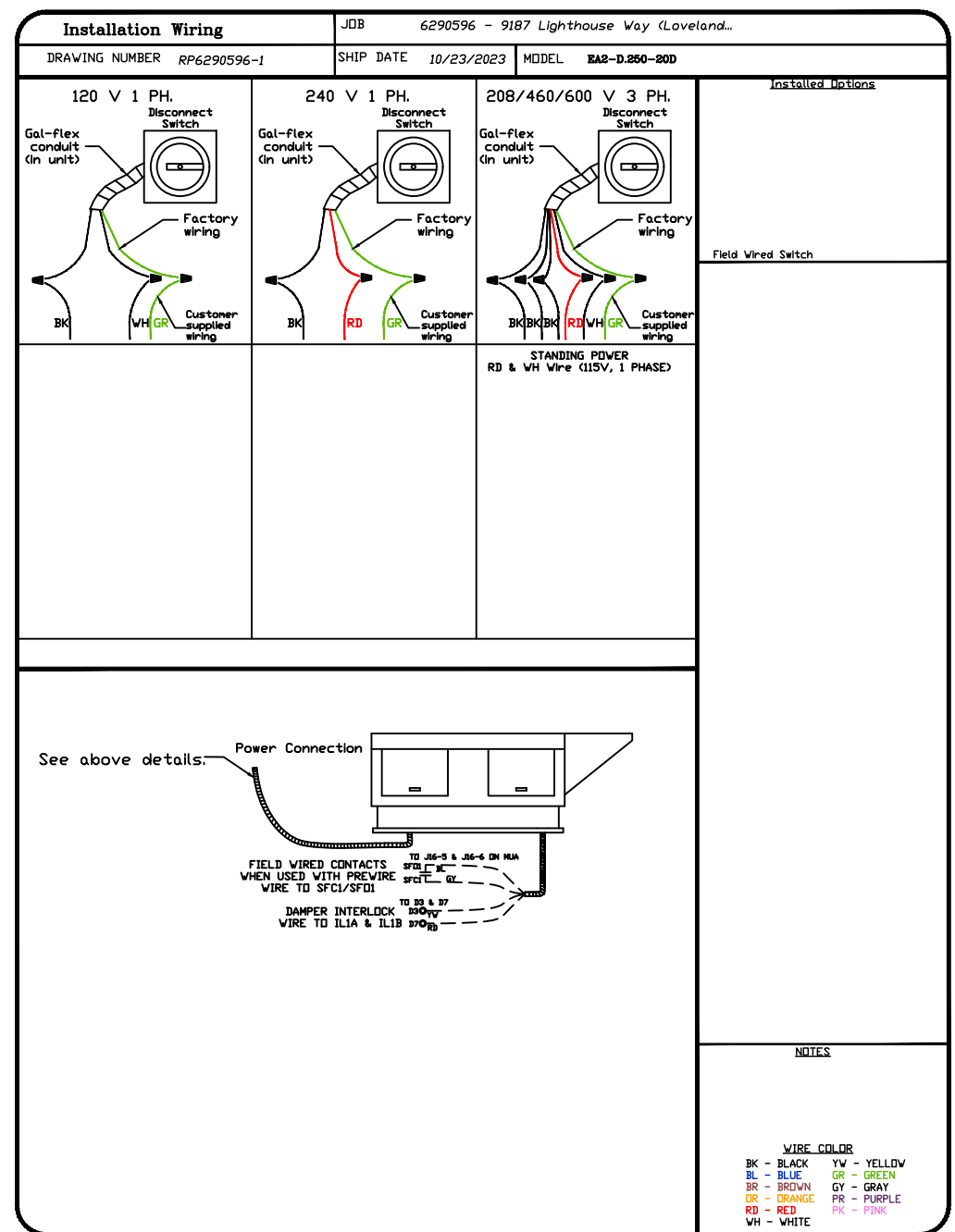
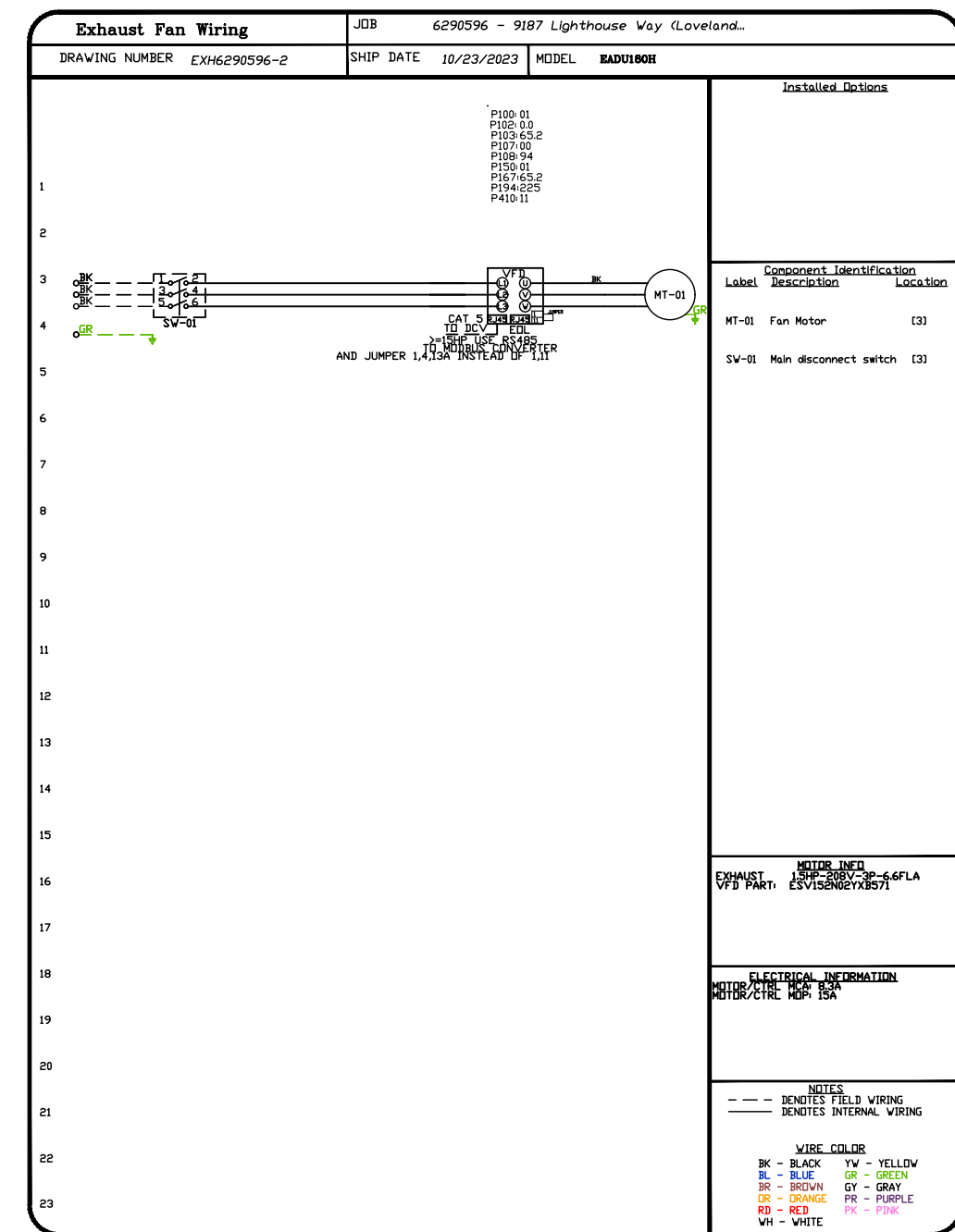
Recon-air
Air Solutions
www.recon-air.com
1329 East Kemper Rd., Ste. 4210, Cincinnati, OH, 45246 PHONE: (613) 860 - 5555 EMAIL: reg120@recon-air.com

9187 Lighthouse Way (Loveland, OH)
9187 Lighthouse Way,
Loveland, OH, 45140

DATE: 10/23/2023
DWG.#: 6290596
DRAWN BY:
SCALE: 3/4" = 1'-0"
MASTER DRAWING

SHEET NO.
2

NO	TAG	PACKAGE #	LOCATION	SWITCHES		OPTION	FANS CONTROLLED					
				LOCATION	QUANTITY		FAN TAG	FANS TYPE	HP	VOLT FLA		
1	ECP 1	SC-31110MA	UTILITY CABINET RIGHT	UTILITY CABINET RIGHT HOOD # 1	1 LIGHT	SMART CONTROLS THERMOSTATIC CONTROL W/ RELAY ON/OFF WITH SUPPLY	HFM-1	SUPPLY	3	1000	E08	3.8
							EF-1	EXHAUST	3	1500	E08	6.6



REVISIONS

NO.	DESCRIPTION	DATE
1		
2		
3		
4		
5		
6		
7		
8		
9		
10		

econair

Air Solutions

www.econair.com

1329 East Kemper Rd., Ste. 4210, Cincinnati, OH, 45246 PHONE: (619) 860 - 5555 EMAIL: reg120@econair.com

9187 Lighthouse Way (Loveland, OH)

9187 Lighthouse Way,

Loveland, OH, 45140

DATE: 10/23/2023

DWG.#: 6290596

DRAWN BY:

SCALE: 3/4" = 1'-0"

MASTER DRAWING

SHEET NO. 3