

**SHEET NOTES**

- DUCT SIZES SERVING DIFFUSERS AND GRILLES ARE SAME SIZE AS DIFFUSER OR GRILLE NECK UNLESS NOTED OTHERWISE.
- FLEXIBLE DUCT NOT SHOWN FOR CLARITY. ALL TAKE-OFFS SHALL INCLUDE FLEXIBLE DUCT. SEE DETAIL 1/M-401 FOR FLEXIBLE DUCT INSTALLATION REQUIREMENTS.
- FOR SUPPLY AND RETURN OPENINGS, CUT OPENING AROUND DUCT DROPS 4" TO 8" MINIMUM (EXCEPT WHERE STRUCTURE PREVENTS THIS). SEE ARCHITECTURAL AND STRUCTURAL DRAWINGS.
- AT EACH PIECE OF ROOF EQUIPMENT, PROVIDE A PLASTIC ENGRAVED LABEL WITH 1" HIGH WHITE LETTERS ON A BLACK BACKGROUND. THE LABEL IS TO HAVE A SELF ADHESIVE BACKING.
- UNLESS NOTED OTHERWISE, MC TO ADJUST ALL DIFFUSER AIR PATTERN DEFLECTORS TO THROW HORIZONTALLY ALONG THE CEILING.
- SUPPORT ALL DUCT DROPS AT BASE OF DROP FROM STRUCTURE.

**KEY NOTES**

- MOUNT REMOTE SENSOR ON WALL AT 5'-0" AFF U.N.O. AND ROUTE WIRING BACK TO SUNCOAST TEMP CONTROL PANEL. FOR SENSOR SERVING AC#1, COORDINATE EXACT LOCATION WITH KITCHEN EQUIPMENT.
- MOUNT TRANE HUMIDITY SENSOR ON WALL ABOVE SPACE TEMP SENSOR AND ROUTE WIRING TO UNIT ON ROOF.
- BRANCH TAKE-OFFS ARE NOT TO BE LOCATED CLOSER THAN 3'-0" FROM ANY OFFSET OR ELBOW INCLUDING THE SUPPLY AIR DROP FROM CURB.
- TRANSITION IN VERTICAL DROP FROM FULL SIZE OF CURB OPENING TO SIZE SHOWN. TRANSITION WITHIN CURB WHERE REQUIRED TO AVOID STRUCTURE. WHERE THE DUCT IS SHOWN OFFSET HORIZONTALLY, PROVIDE ELBOW WITH TURNING VANES. FOR DROPS WITH NO HORIZONTAL OFFSET, EXTEND DROP BELOW STRUCTURE TO ACCOMMODATE START COLLARS. TERMINATE DROP A MINIMUM 0'-10" ABOVE CEILING (0'-4" ABOVE CEILING IF REQUIRED TO ACCOMMODATE TAKE-OFF AND DROP IS NOT LOCATED DIRECTLY ABOVE A LIGHT).
- TRANSITION IN VERTICAL DROP FROM FULL SIZE OF CURB OPENING TO SIZE SHOWN. SEE DETAIL 6/M-401 (AC#1) FOR REQUIRED TRANSITION GEOMETRY. TRANSITION WITHIN CURB WHERE REQUIRED TO AVOID STRUCTURE. WHERE THE DUCT IS SHOWN OFFSET HORIZONTALLY, PROVIDE ELBOW WITHOUT TURNING VANES. FOR DROPS WITH NO HORIZONTAL OFFSET, EXTEND DROP BELOW STRUCTURE TO ACCOMMODATE START COLLARS. TERMINATE DROP A MINIMUM 0'-10" ABOVE CEILING (0'-4" ABOVE CEILING IF REQUIRED TO ACCOMMODATE TAKE-OFF AND DROP IS NOT LOCATED DIRECTLY ABOVE A LIGHT).
- 10X10 EXHAUST DUCT DOWN.
- MECHANICAL CONTRACTOR TO ADJUST PATTERN DEFLECTORS TO THROW STRAIGHT DOWN.
- AIR CURTAIN MOUNTED OVER DOOR HEADER AT 7'-2" AFF TO BOTTOM OF UNIT. PROVIDE BLOCKING IN WALL BEHIND AIR CURTAIN. USE FACTORY PRE-PUNCHED MOUNTING HOLES ON BACK SIDE OF AIR CURTAIN ONLY. ATTACH AIR CURTAIN TO WALL USING 3/8" LAG BOLTS. LENGTH AS REQUIRED TO FULLY PENETRATE BLOCKING. LOCATE MAGNETIC CONTACT TYPE MICROSWITCH IN DOOR FRAME ON STRIKE SIDE.
- DAMPER HANDLES SHOULD BE INSTALLED SUCH THAT THE DAMPERS ROTATION AXIS IS PERPENDICULAR TO THE FLOOR WITH THE HANDLE FULLY ACCESSIBLE UNDERNEATH THE DUCT IT CONTROLS. (TYPICAL OF ALL DAMPERS AT THE SAME PLENUM.)
- HALTON KBD DAMPER AT HOOD COLLAR BY MECHANICAL CONTRACTOR. SEE HOOD ELEVATIONS ON M-301 FOR LOCATION.
- SEE ELEVATIONS ON M-301 FOR CJ FAN DUCTING REQUIREMENTS.
- 120V/24V 50 VA TRANSFORMER TO SERVE YOUNG REGULATOR ZONE DAMPER ACTUATOR AND THERMOSTAT PROVIDED BY TOM BARRON. POWER TRANSFORMER FROM 120V POWER CIRCUIT THAT REMAINS LINE 24/7. PROVIDE ALL NECESSARY WIRING AND COMPONENTS TO MAKE CONTROL AND POWER CONNECTIONS TO TRANSFORMER, ZONE DAMPER, AND THERMOSTAT PER MANUFACTURER'S IOM. THERE IS NO INTERLOCKING OR MONITORING BY WAY OF THE S.E.C. TENANT-500 PANEL. SEE WIRING DIAGRAM DETAIL 2/M-602.
- RUSKIN MDRS25 MVD W/LOCKING QUADRANT HANDLE.
- YOUNG REGULATOR 12" MODEL 4075-LMB24-IF ROUND ZONE DAMPER WITH MODEL T-720A AUTOMATIC CHANGEOVER THERMOSTAT. MOUNT TSTAT AT 4'-0" AFF. POWER OPEN/SPRING CLOSE. ADJUST MECHANICAL LIMIT FOR 50 CFM MINIMUM AIRFLOW. CHICK-FIL-A HAS A NATIONAL ACCOUNT WITH TOM BARRON COMPANY FOR THE ZONE DAMPER. THE MECHANICAL CONTRACTOR SHALL PURCHASE THE ZONE DAMPER DIRECTLY FROM TOM BARRON COMPANY. CONTACT MR. SCOTT GEORGE AT 404-351-1010. FOR PRICING AND AVAILABILITY. ZONE DAMPERS NOT PURCHASED THRU TOM BARRON COMPANY WILL NOT BE ACCEPTED.
- FOR SUPPLY AND RETURN OPENINGS, CUT OPENING AROUND DUCT DROPS 4" TO 8" MINIMUM (EXCEPT ON SIDES ADJACENT TO STRUCTURE).

**LEGEND**

| A-12-400 | TYPE - NECK SIZE - CFM  | EF#1     | EXHAUST FAN #1 (TYP.)           |
|----------|---|----------|---------------------------------|
| [Symbol] | SPIN-IN FITTING WITH MANUAL BALANCING DAMPER, WITHOUT SCOOP   | [Symbol] | AIR CONDITIONING UNIT #1 (TYP.) |
| [Symbol] | SPIN-IN HARD / FLEXIBLE / DIFFUSER  | [Symbol] | RETURN/EXHAUST (TYP.)           |
| [Symbol] | REMOTE TEMPERATURE SENSOR   | [Symbol] | SUPPLY DIFFUSER, SQ FACE (TYP.) |
| [Symbol] | HUMIDITY SENSOR   | [Symbol] | PLAN NOTE REFERENCE             |
| [Symbol] | SMOKE DETECTOR  | [Symbol] | MANUAL VOLUME DAMPER            |
| [Symbol] | DUCT SIZE (reverse for elevation views)<br>1ST NUMBER - HORIZONTAL DIMENSION<br>2ND NUMBER - VERTICAL DIMENSION | [Symbol] | DIRECTION OF THROW ON DIFFUSER  |
| [Symbol] | AIR DOOR SWITCH   | [Symbol] | CLOSED AIR PATTERN DEFLECTOR    |
| [Symbol] | ELECTRICAL CONTRACTOR   | [Symbol] | GAS INFRARED HEATER (TYP.)      |
| [Symbol] | MECHANICAL CONTRACTOR   | [Symbol] | BELOW GRADE                     |
| [Symbol] | ELECTRIC INFRARED HEATER  | [Symbol] | THERMOSTAT                      |
| [Symbol] |   | [Symbol] | ELECTRIC DUCT HEATER            |

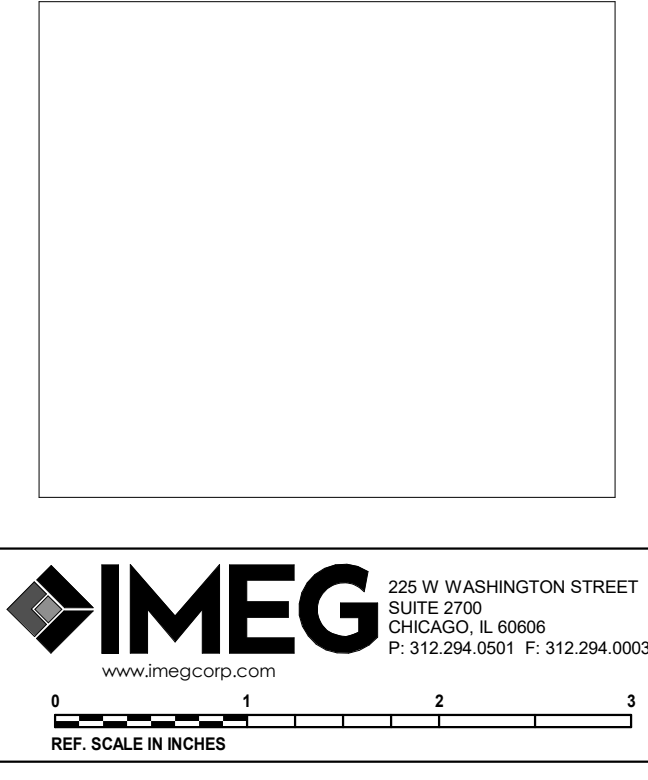
**AIR BALANCE SCHEDULE**

| MARK | SUPPLY AIR | RETURN AIR | OUTSIDE AIR | EXHAUST AIR | BUILDING POSITIVE PRESSURE |
|------|------------|------------|-------------|-------------|----------------------------|
| AC#1 | 9500       | 8250       | 1250        |             |                            |
| AC#2 | 5600       | 4200       | 1400        |             |                            |
| AC#3 | 9500       | 7500       | 2000        |             |                            |
| EF#1 |            |            |             | 1912        |                            |
| EF#2 |            |            |             | 1402        |                            |
| EF#3 |            |            |             | 275         |                            |
|      | 24600      | 19950      | 4650        | 3589        | 1061                       |

**MECHANICAL FLOOR PLAN**  
1/4" = 1'-0"



I HEREBY CERTIFY THAT THESE PLANS HAVE BEEN PREPARED UNDER MY SUPERVISION AND THAT TO THE BEST OF MY KNOWLEDGE, THEY COMPLY WITH ALL RULES, REGULATIONS AND ORDINANCES OF FAIRFIELD, CT RELATING TO STRUCTURES AND BUILDINGS.



**CHICK-FIL-A**  
POST ROAD  
750 POST ROAD & 42 ELLIOT ST.  
FAIRFIELD, CT 06824

**INL# 04878**  
BUILDING TYPE / SIZE: P13 SE  
RELEASE: 22.05

**REVISION SCHEDULE**

| NO. | DATE       | DESCRIPTION                               |
|-----|------------|---|
| 1   | 09/30/2022 | ISSUE FOR PERMIT                          |
| 3   | 01/27/2023 | ISSUE FOR BID                             |
| 4   | 02/22/2023 | ISSUE FOR CONSTRUCTION                    |
| 5   | 05/01/2023 | IFC REVISION 3 - ILLD COORD. CALL UPDATES |
| 8   | 06/08/2023 | PERMIT COMMENTS                           |
| 9   | 07/14/2023 | IFC REVISION 4                            |

ISSUE FOR CONSTRUCTION  
CONSULTANT PROJECT # 04878  
PRINTED FOR ISSUE FOR CONSTRUCTION  
DATE 02/22/2023  
DRAWN BY BIM  
CHECKED BY DM  
Information contained on this drawing and in all digital files produced for above named project may not be reproduced in any manner without express written or verbal consent from authorized project representatives.  
SHEET MECHANICAL FLOOR PLAN  
SHEET NUMBER

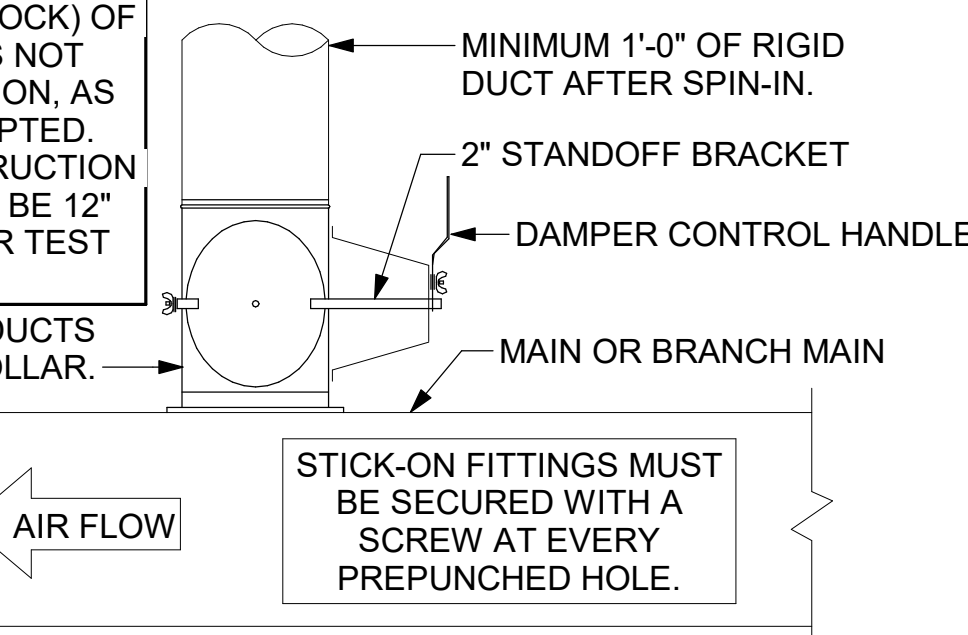
**M-201**

7/28/2023 2:09:53 PM BIM 360/ICT\_04878\_Fairfield\_2021.6\_FSR04878\_Fairfield\_MEC.rvt SE-04878-M-201-MECHANICAL FLOOR PLAN

CHICK-FIL-A HAS A NATIONAL ACCOUNT WITH TOM BARRROW COMPANY FOR THE ROYAL METAL PRODUCTS START COLLARS FOR BOTH WITH AND WITHOUT A MANUAL BALANCING DAMPER. THE MECHANICAL CONTRACTOR IS REQUIRED TO PURCHASE THE ROYAL METAL PRODUCTS START COLLARS DIRECTLY FROM TOM BARRROW COMPANY. CONTACT MR. SCOTT GEORGE AT 404-351-1010 FOR PRICING AND AVAILABILITY. ROYAL METAL PRODUCTS START COLLARS NOT PURCHASED THRU TOM BARRROW COMPANY WILL NOT BE ACCEPTED.

DAMPER CONTROL HANDLE MUST BE EXPOSED, AND DAMPER SHAFT MUST ALWAYS BE PARALLEL TO AIRFLOW IN DUCT MAIN. AS AN EXAMPLE, FOR HORIZONTAL TRUNK DUCT, HANDLE MUST BE LOCATED ON THE LEFT OR RIGHT (9 OR 3 O'CLOCK) OF COLLAR, AND FOR VERTICAL TRUNK DUCT, LOCATED ON THE BOTTOM (6 O'CLOCK) OF COLLAR. DAMPER CONTROL HANDLES NOT INSTALLED IN THE CORRECT ORIENTATION, AS SPECIFIED ABOVE, WILL NOT BE ACCEPTED. ATTACH YELLOW FLUORESCENT CONSTRUCTION RIBBON TO THE HANDLE. RIBBON MUST BE 12" LONG AND BE EASILY IDENTIFIABLE FOR TEST AND BALANCE CONTRACTOR.

DO NOT APPLY START COLLAR OVER DUCT WRAP



ROYAL METAL PRODUCTS STICK-ON START COLLAR.

**GAS FIRED ROOFTOP UNIT ALTERNATE DESIGN SCHEDULE**

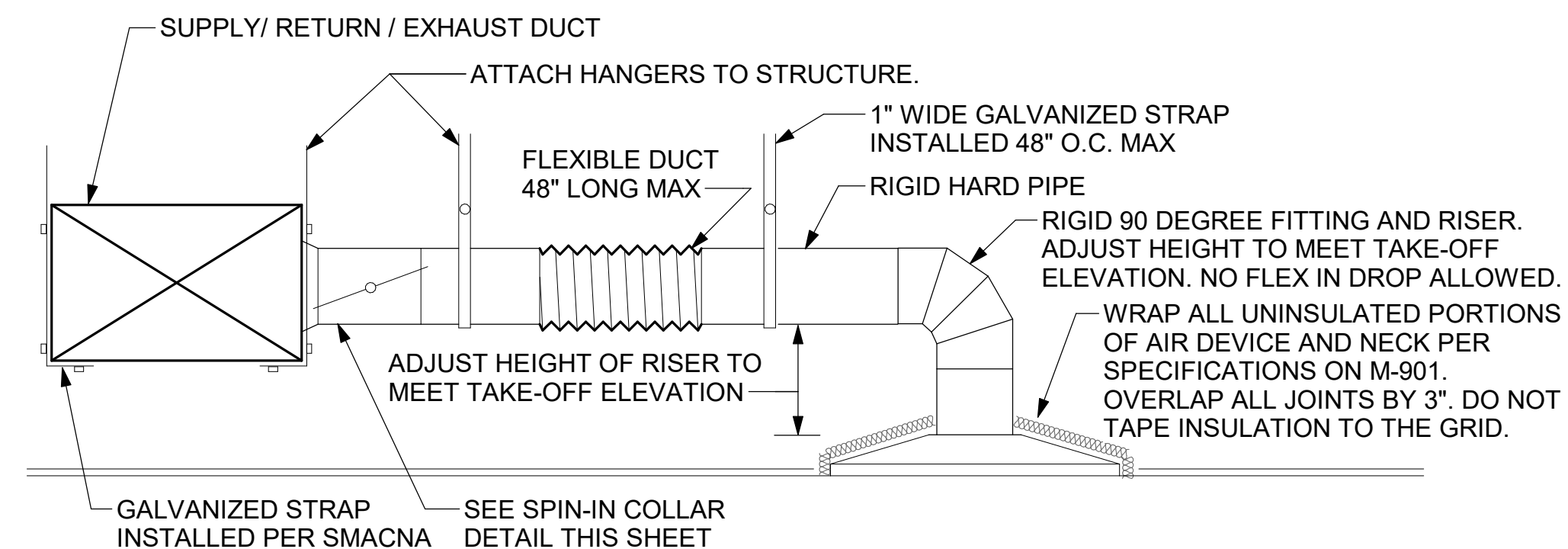
| MARK | GROSS TOTAL COOLING CAPACITY | GROSS SENSIBLE COOLING CAPACITY | HEATING INPUT MBH | HEATING OUTPUT MBH | STAGES | SUPPLY | O.A. | HP  | ESP  | MODEL R-410A | MANUFACTURER | REMARKS                               |
|------|------------------------------|---------------------------------|-------------------|--------------------|--------|--------|------|-----|------|--------------|--------------|---------------------------------------|
| AC#1 | 281.9                        | 222.7                           | 400               | 320                | 2      | 9500   | 1250 | 7.5 | 0.80 | YHD300       | TRANE        | 1,3,4,5,7,8,9,10,11,12,13,14,15,16,18 |
| AC#2 | 181.3                        | 139.0                           | 350               | 280                | 2      | 5600   | 1400 | 5   | 0.65 | YHD210       | TRANE        | 2,3,4,6,7,8,9,10,11,12,13,14,15,16,18 |
| AC#3 | 240.5                        | 156.4                           | 400               | 320                | 2      | 9500   | 2000 | 7.5 | 0.80 | YHD300       | TRANE        | 1,3,4,5,7,8,9,10,11,12,13,14,15,16,18 |

NOTES

- COOLING CAPACITIES ARE GROSS, BASED ON ENTERING: 80FDB/67FWB, OUTDOOR: 95FDB, AND 400 CFM PER TON.
- CHICK-FIL-A MAINTAINS AN ACCOUNT FOR EQUIPMENT WITH TRANE CORPORATION. CONTACT TRANE TECH SUPPORT AT 866-986-4822 FOR PRICING, ORDERING AND AVAILABILITY OR BY EMAIL TENANT@TRANE.COM.
- MECHANICAL CONTRACTOR TO VERIFY TRANE SUBMITTAL WITH CONSTRUCTION DOCUMENTS.

REMARKS

- PROVIDE DIFFERENTIAL ENTHALPY ECONOMIZER WITH POWER EXHAUST.
- PROVIDE DIFFERENTIAL ENTHALPY ECONOMIZER WITH BAROMETRIC EXHAUST.
- PROVIDE 14" HIGH ROOF CURB. PROVIDE CURBS PLUS RESTRAINT CLIP KIT.
- SEE DETAIL 2/M-501 FOR SETTING OF PRODIGY M3 BOARD CONTROL PARAMETERS BY MC.
- PROVIDE FACTORY INSTALLED AND UNIT POWERED 115V GFI SERVICE OUTLET.
- PROVIDE FACTORY INSTALLED RETURN SIDE SMOKE DETECTOR.
- PROVIDE FACTORY INSTALLED NON-FUSED DISCONNECT.
- PROVIDE 2" MERV 8 THROW AWAY FILTERS.
- PROVIDE HINGED PANELS FOR FILTER ACCESS, FAN MOTOR ACCESS, COMPRESSOR ACCESS AND CONTROL COMPARTMENT ACCESS.
- ADJUST GAS MANIFOLD PRESSURE AT LOCATIONS WHERE ELEVATION EXCEEDS 2000' ABOVE SEA LEVEL AS RECOMMENDED BY MANUFACTURER.
- PROVIDE FACTORY COIL HAIL GUARD, FIELD INSTALLED.
- PROVIDE FRESH AIR TEMPERING KIT.
- PROVIDE HUMIDITROL OPTION WITH FACTORY WALL MOUNTED HUMIDITY SENSOR.
- PROVIDE FACTORY INSTALLED BELT TENSIONER.
- PROVIDE FACTORY CONFIGURED PHASE LOSS PROTECTION.
- PROVIDE FACTORY INSTALLED CONDENSATE PAN DRAIN OVERFLOW SWITCH.
- PROVIDE UNIT WITH MSAV BLOWER.
- PROVIDE FACTORY STAINLESS STEEL HEAT EXCHANGER.



① SAG/RAG/GRILLE TAKE-OFF  
NOT TO SCALE

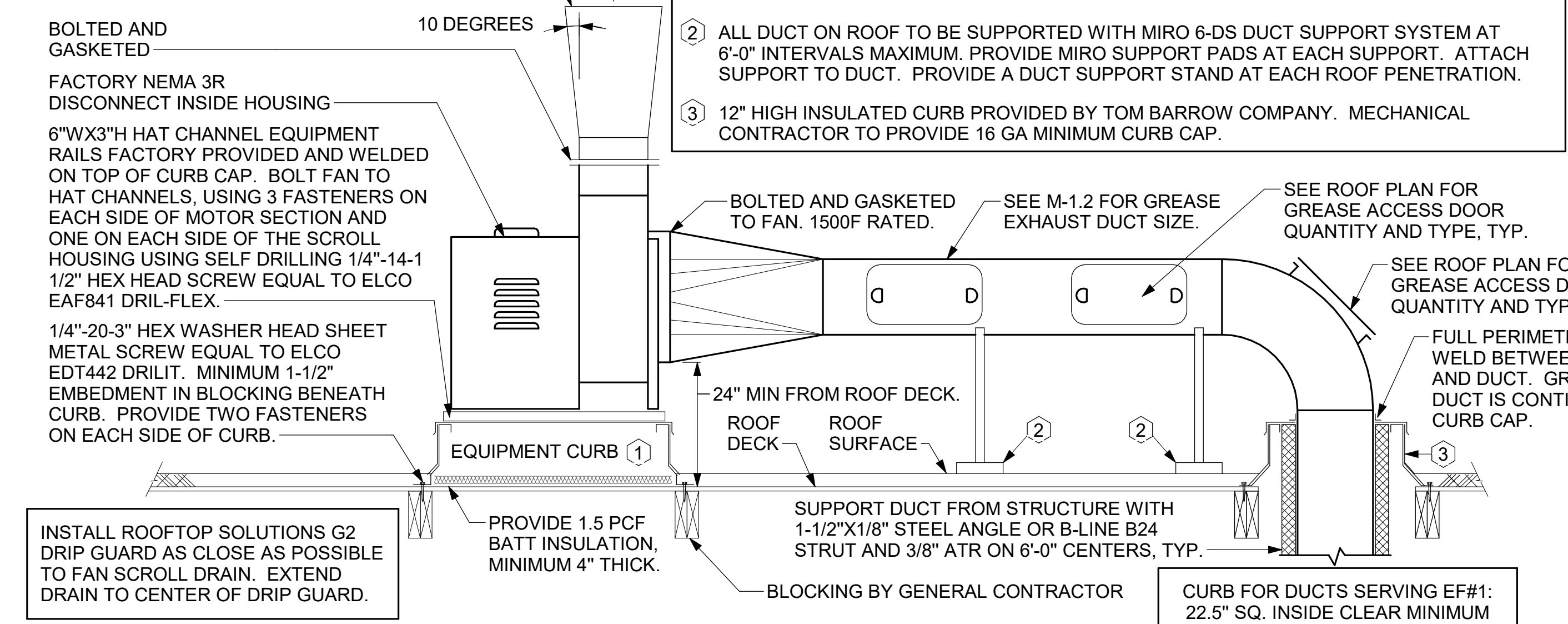
② START COLLAR  
NOT TO SCALE

ALL DUCTWORK AND UNFINISHED METAL ON ROOF EXCEPT STAINLESS SHALL BE PREPARED WITH TWO COATS OF SHERWIN WILLIAMS B66-200 SERIES DTM WHITE ACRYLIC SEMI-GLOSS INDUSTRIAL MAINTENANCE COATING. DEGREASE AND PRIME BARE METAL SURFACE WITH ONE COAT OF SHERWIN WILLIAMS DTM ACRYLIC PRIMER PRIOR TO PAINTING.

**KEYED NOTES:**

- EQUIPMENT CURB WITH REINFORCED BASE AND STEEL CURB CAP PROVIDED BY TOM BARRROW COMPANY. WIDTH OF CURB SHALL BE 4" WIDER THAN FAN FOOTPRINT IN BOTH DIRECTIONS. HEIGHT OF CURB SHALL BE SUCH THAT NO PART OF ANY DUCT TO BE WITHIN 18" OF ROOF SURFACE. PROVIDE FACTORY EQUIPMENT RAILS WELDED TO CAP.
- ALL DUCT ON ROOF TO BE SUPPORTED WITH MIRO 6-DS DUCT SUPPORT SYSTEM AT 6'-0" INTERVALS MAXIMUM. PROVIDE MIRO SUPPORT PADS AT EACH SUPPORT. ATTACH SUPPORT TO DUCT. PROVIDE A DUCT SUPPORT STAND AT EACH ROOF PENETRATION.
- 12" HIGH INSULATED CURB PROVIDED BY TOM BARRROW COMPANY. MECHANICAL CONTRACTOR TO PROVIDE 16 GA MINIMUM CURB CAP.

FABRICATE 18 GA STAINLESS NOZZLE. NOZZLE INLET FULL SIZE OF FAN DISCHARGE. MINIMUM NOZZLE HEIGHT 1'-0". EXTEND NOZZLE AS NEEDED TO TERMINATE 0'-2" ABOVE ALL CONDENSING UNITS, RTUS, AND PARAPETS WITHIN 10'-0".



③ KITCHEN HOOD EXHAUST FANS  
NOT TO SCALE

**RECIRCULATING FAN SCHEDULE**

| Mark | Fan CFM | Fan ESP | Fan RPM | Fan HP | Area Served | Model    | Manufacturer | Fan Remarks |
|------|---------|---------|---------|--------|-------------|----------|--------------|-------------|
| RF-1 | 450     | 0.3     | 1144    | 58 W   | DTT CLOSET  | GCVF-500 | LOREN COOK   | 1,2,3,4     |

NOTES

- CHICK-FIL-A HAS A NATIONAL ACCOUNT WITH TOM BARRROW COMPANY FOR THE FANS PACKAGE. THE MECHANICAL CONTRACTOR SHALL PURCHASE THE FANS DIRECTLY FROM TOM BARRROW COMPANY. CONTACT MR. SCOTT GEORGE AT 404-351-1010, FOR PRICING AND AVAILABILITY. FANS NOT PURCHASED THRU TOM BARRROW COMPANY WILL NOT BE ACCEPTED.

REMARKS

- PROVIDE NEMA 1 PREWIRED DISCONNECT.
- INTEGRAL POTENTIOMETER ON FAN MOTOR. SET TO FULL SPEED.
- PROVIDE AIR BALANCE KIT AND SECURE TO FAN.
- PROVIDE THERMOSTAT / TEMPERATURE CONTROLLER. SET TO 76°F.

**AIR DOOR SCHEDULE**

| MARK | CFM   | VELOCITY | HEATING CAP | HP     | AREA SERVED | MODEL     | MANUFACTURER | REMARKS |
|------|-------|----------|-------------|--------|-------------|-----------|--------------|---------|
| AD#1 | 1,765 | 2,670    | 10 kW       | 3/4 HP | DRIVE THRU  | CHA-1-36  | Powered Aire | 1,2,3,5 |
| AD#2 | 3,867 | 4,218    | N/A         | 3/4 HP | REAR DOOR   | REAR-1-36 | Powered Aire | 4       |

NOTES

- CHICK-FIL-A HAS A NATIONAL ACCOUNT WITH TOM BARRROW COMPANY FOR THE AIR DOORS. THE MECHANICAL CONTRACTOR SHALL PURCHASE THE AIR DOORS DIRECTLY FROM TOM BARRROW COMPANY. CONTACT MR. SCOTT GEORGE AT 404-351-1010, FOR PRICING AND AVAILABILITY. AIR DOORS NOT PURCHASED THRU TOM BARRROW COMPANY WILL NOT BE ACCEPTED.

REMARKS

- FACTORY PROVIDED, WIRED, AND UNIT MOUNTED SPEED CONTROLLER LOCATED ABOVE CEILING.
- FACTORY WIRED DISCONNECT.
- FACTORY PROVIDED, FIELD INSTALLED BY MC, REMOTE WALL SWITCHES FOR EHATING ON/OFF AND FAN ON/AUTO SWITCH. SEE DETAIL, AIR CURTAIN WIRING DIAGRAM.
- FACTORY PROVIDED MAGNETIC DOOR CONTACT WITH FACTORY INSTALLED LOW VOLTAGE CONTROLS LOCATED IN AIR DOOR CABINET.
- PROVIDE WITH A DIVERTER BOX. PROVIDE WITH MOUNTING BRACKETS PER MANUFACTURER'S RECOMMENDATIONS. INSTALL 4" FROM THE WALL.

**AIR DEVICE SCHEDULE**

| MARK | DESCRIPTION   | LOCATION                | NECK SIZE | FACE SIZE | FRAME TYPE | REMARKS   |
|------|---|-------------------------|-----------|-----------|------------|-----------|
| A    | PRICE MODEL APDC ALUMINUM SUPPLY AIR DIFFUSER WITH INDIVIDUALLY ADJUSTABLE CURVED AIR PATTERN CONTROLLERS.      | DINING/ KITCHEN         | VARIABLES | 24"x24"   | LAY-IN     | 1,7       |
| C    | PRICE MODEL SMCD STEEL SUPPLY AIR DIFFUSER FIELD ADJUSTABLE AIR PATTERN CONTROLLERS.                            | ENTRY                   | 14"x14"   | 19"x19"   | BEVELLED   | 1,3,5,6   |
| F    | PRICE MODEL 80 EGGCRATE RETURN AIR GRILLE WITH REMOVABLE WHITE CORE. FACTORY FLAT BLACK BACKPAN AND ROUND NECK. | DINING/ OFFICE/ KITCHEN | VARIABLES | 24"x24"   | LAY-IN     | 1,7       |
| J    | PRICE MODEL SMCD STEEL SUPPLY AIR DIFFUSER FIELD ADJUSTABLE AIR PATTERN CONTROLLERS.                            | RESTROOMS               | 10"x10"   | 15"x15"   | BEVELLED   | 1,2,3,5,6 |
| K    | PRICE MODEL APDDR ALUMINUM PERFORATED FACE RETURN AIR GRILLE.   | RESTROOMS/ ENTRY        | 14"x14"   | 16"x16"   | SURFACE    | 1,4,5,6   |

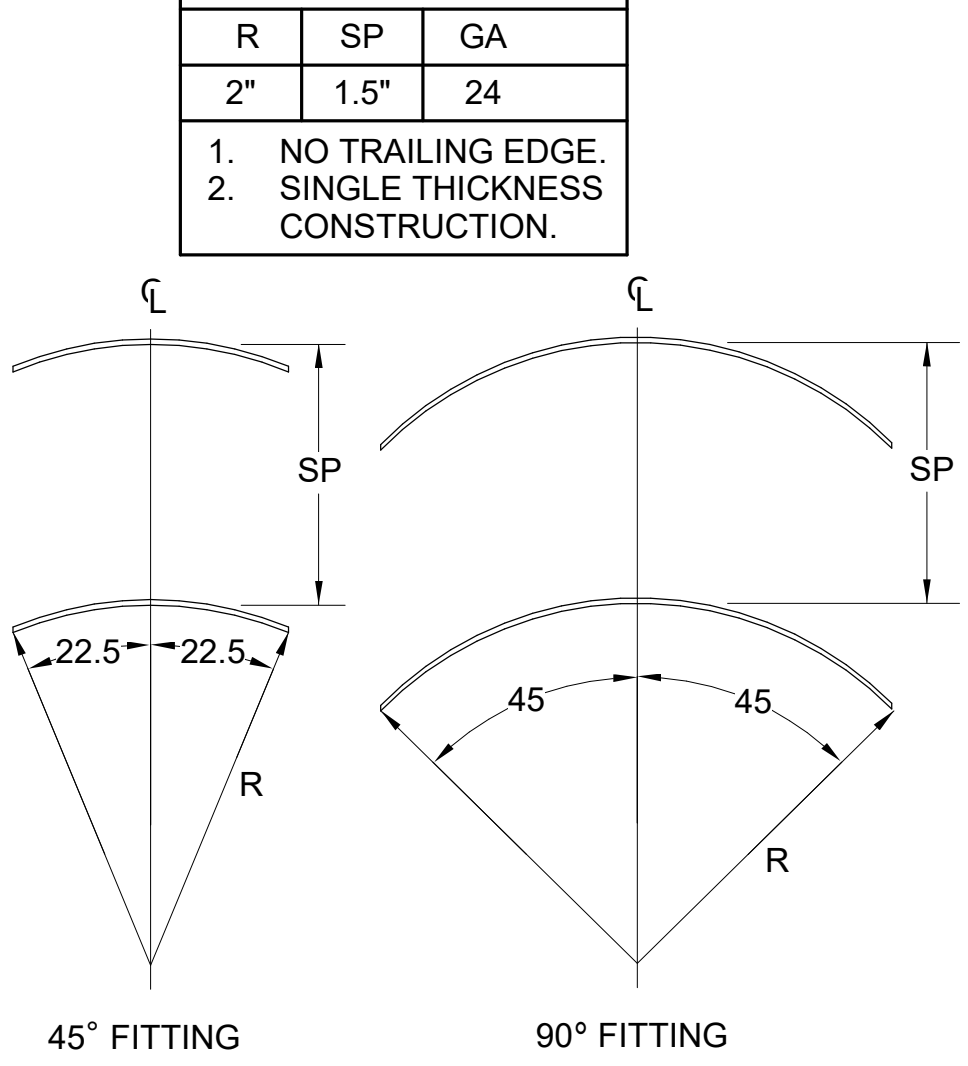
NOTES

- CHICK-FIL-A HAS A NATIONAL ACCOUNT WITH TOM BARRROW COMPANY FOR THE AIR DEVICES. THE MECHANICAL CONTRACTOR SHALL PURCHASE THE AIR DEVICES DIRECTLY FROM TOM BARRROW COMPANY. CONTACT MR. SCOTT GEORGE AT 404-351-1010, FOR PRICING AND AVAILABILITY. AIR DEVICES NOT PURCHASED THRU TOM BARRROW COMPANY WILL NOT BE ACCEPTED.

REMARKS

- STANDARD OFF WHITE FINISH.
- PROVIDE MODEL VCS3 NECK DAMPER.
- SEE DRAWING M-201 FOR THROW.
- PROVIDE MODEL VCR7 NECK DAMPER ON GRILLES IN RESTROOMS SERVING EXHAUST FAN.
- PROVIDE BACKPAN. MC TO SEAL JOINTS WITH MASTIC AND INSULATE EXTERNALLY.
- FIELD INSULATE BACKPAN AS SHOWN ON DETAIL 1/M-401.
- FACTORY INSULATED R-6 BACKPAN.

**TURNING VANE SCHEDULE**

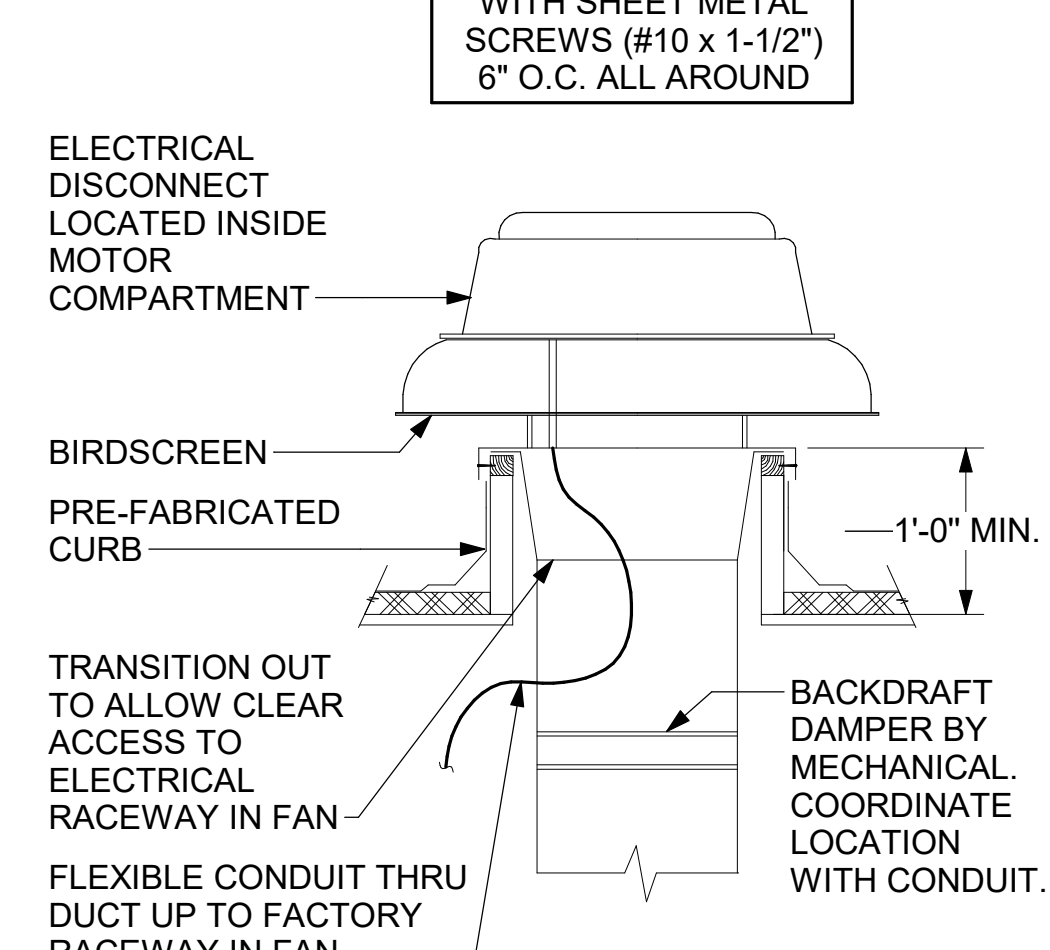


⑤ TURNING VANES  
NOT TO SCALE

⑥ RETURN DROP GEOMETRY  
NOT TO SCALE

④ RESTROOM EXHAUST FAN  
NOT TO SCALE

SECURE FAN TO CURB WITH SHEET METAL SCREWS (#10 x 1-1/2") 6" O.C. ALL AROUND



**ELECTRIC DUCT HEATER SCHEDULE**

| SYMBOL | SERVICE   | TYPE | DUCT SIZE | CFM | EAT 'F | LAT 'F | STAGES     | KW | ELECTRICAL |             |             | CONTROLLER/STARTER | CONTROL | MANUFACTURER | MODEL | REMARKS       |
|--------|-----------|------|-----------|-----|--------|--------|------------|----|------------|-------------|-------------|--------------------|---------|--------------|-------|---------------|
|        |           |      |           |     |        |        |            |    | VOLT-PHASE | DISCONNECT  | BY (NOTE A) |                    |         |              |       |               |
| EDH-1  | VESTIBULE | OPEN | 12" ROUND | 400 | 70     | 93     | MODULATING | 3  | 208-1      | BY (NOTE A) | MF          | SCR                | SCR     | THERMOLEC    | SC    | NOTES 1, 2, 3 |

TENANT HAS AN ACCOUNT WITH TOM BARRROW COMPANY FOR ELECTRIC HEATERS. THE MECHANICAL CONTRACTOR SHALL PURCHASE THE HEATERS DIRECTLY FROM TOM BARRROW COMPANY. CONTACT MR. SCOTT GEORGE AT 404-351-1010, FOR PRICING AND AVAILABILITY.

- PROVIDE WITH CONTROL BOX MOUNTED TO SIDE OF HEATER, COORDINATE OFFSET AS SHOWN ON DRAWINGS. CONTROLLER SHALL MODULATE SCR TO MAINTAIN FIXED DISCHARGE AIR TEMP OF 105F.
- DUCT HEATER SHALL HAVE INTEGRAL AIRFLOW SWITCH TO PROVE FLOW PRIOR TO HEATER OPERATION.
- REFER TO CONTROL DIAGRAM FOR SENSOR AND HEATER WIRING SCOPE.

**BROMIC ELECTRIC HEATER SCHEDULE**

| MARK  | KW  | FRAME LENGTH | FRAME WIDTH | FRAME DEPTH | MOUNTING TYPE | MODEL     | MANUFACTURER |
|-------|-----|--------------|-------------|-------------|---------------|-----------|--------------|
| EIH#1 | 6.0 | 56"          | 8.5"        | 3.5"        | BRACKET       | BH0420035 | BROMIC       |

NOTES

- CHICK-FIL-A HAS A NATIONAL ACCOUNT WITH BROMIC COMPANY FOR THE RESTROOM HEATERS. THE MECHANICAL CONTRACTOR SHALL PURCHASE THE HEATERS DIRECTLY FROM BROMIC COMPANY. CONTACT MR. FRANK SARVER AT 858-400-4063, FOR PRICING AND AVAILABILITY. BROMIC HEATERS NOT PURCHASED THRU BROMIC COMPANY WILL NOT BE ACCEPTED.

REMARKS

- STAINLESS STEEL LENS WITH BLACK EMISSIVE COATING.
- PROVIDE ENGRAVED PLASTIC LABEL AT EACH UNIT WITH UNIT DESIGNATION IN 1" HIGH WHITE LETTERS ON A BLACK BACKGROUND.
- PROVIDE WITH MOUNTING BRACKETS PER MANUFACTURER'S RECOMMENDATIONS.



Chick-fil-A  
5200 Buffington Road  
Atlanta, Georgia  
30349-2998

CHIPMAN DESIGN  
ARCHITECTURE GROUP PC  
1350 E TOUHY AVE  
FIRST FLOOR EAST  
DES PLAINES, IL 60018  
TEL : 847.298.6900



225 W WASHINGTON STREET  
SUITE 2700  
CHICAGO, IL 60606  
P: 312.294.0601 F: 312.294.0000

I HEREBY CERTIFY THAT THESE PLANS HAVE BEEN PREPARED UNDER MY SUPERVISION AND THAT TO THE BEST OF MY KNOWLEDGE, THE SAME COMPLY WITH ALL RULES, REGULATIONS AND ORDINANCES OF FAIRFIELD, CT RELATING TO STRUCTURES AND BUILDINGS.



IMEG  
225 W WASHINGTON STREET  
SUITE 2700  
CHICAGO, IL 60606  
P: 312.294.0601 F: 312.294.0000

**CHICK-FIL-A**  
**POST ROAD**  
750 POST ROAD & 42 ELLIOT ST.  
FAIRFIELD, CT 06824

**INL# 04878**  
BUILDING TYPE / SIZE: P13 SE  
RELEASE: 22.05

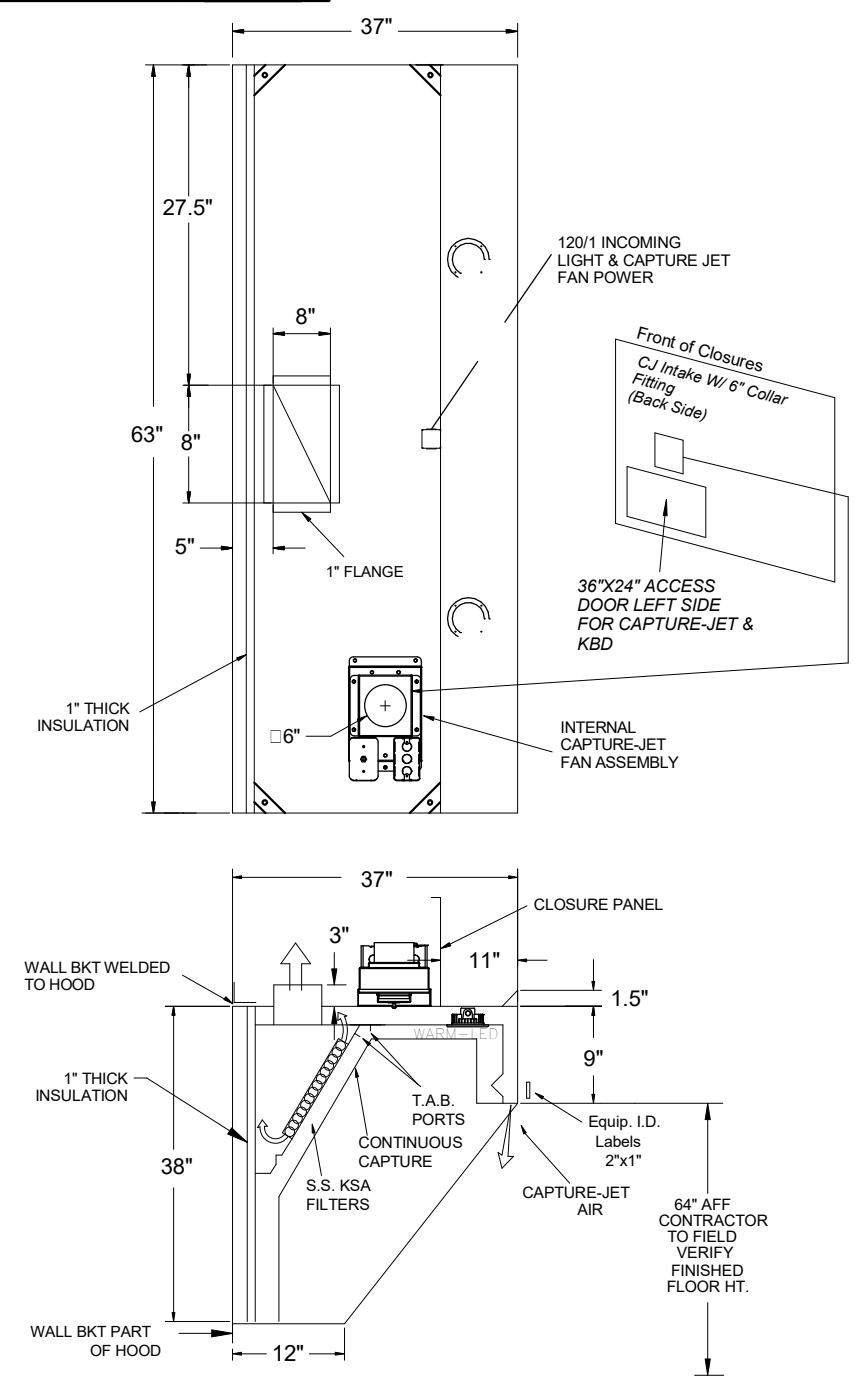
**REVISION SCHEDULE**

| NO. | DATE       | DESCRIPTION                              |
|-----|------------|--|
| 1   | 09/30/2022 | ISSUE FOR PERMIT                         |
| 3   | 01/27/2023 | ISSUE FOR BID                            |
| 4   | 02/22/2023 | ISSUE FOR CONSTRUCTION                   |
| 5   | 05/01/2023 | IFC REVISION 3 - ILL COORD. CALL UPDATES |

CONSULTANT PROJECT # 04878  
PRINTED FOR ISSUE FOR CONSTRUCTION  
DATE 02/22/2023  
DRAWN BY BIM  
CHECKED BY DM  
Information contained on this drawing and in all digital files produced for above named project may not be reproduced in any manner without express written or verbal consent from the project representatives.  
HVAC DETAILS AND SCHEDULES  
SHEET NUMBER

BIM 360/ICT\_04878\_Fairfield\_2021.6\_FSR04878\_Fairfield\_MEC.dwg  
SE-04878-MH-101-HALTON HOOD SHOP DRAWINGS

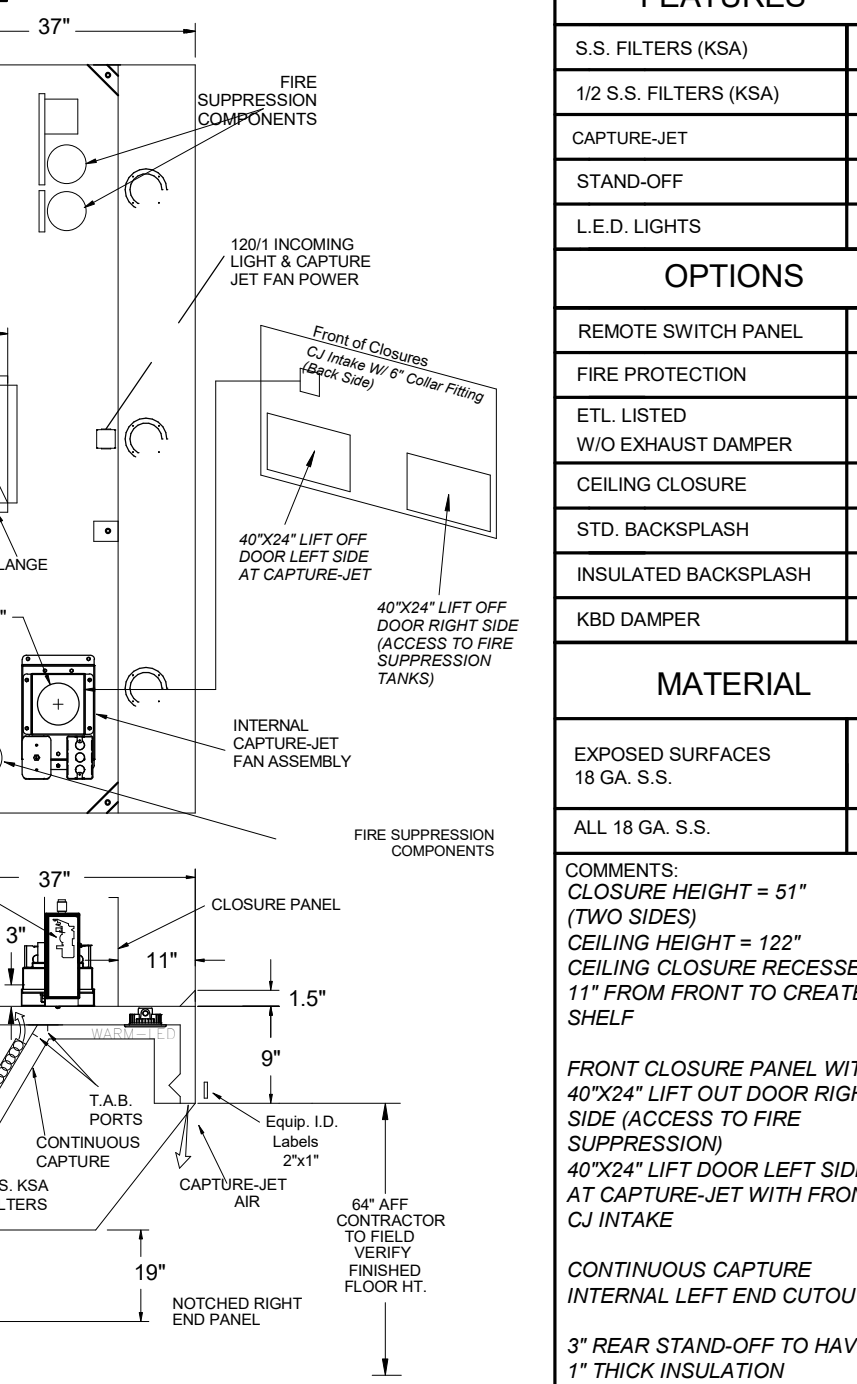
MODEL: KVL-2-IC



STANDARD FEATURES

Table listing standard features and options for KVL-2-IC hood, including S.S. filters, capture jet, stand-off, and LED lights.

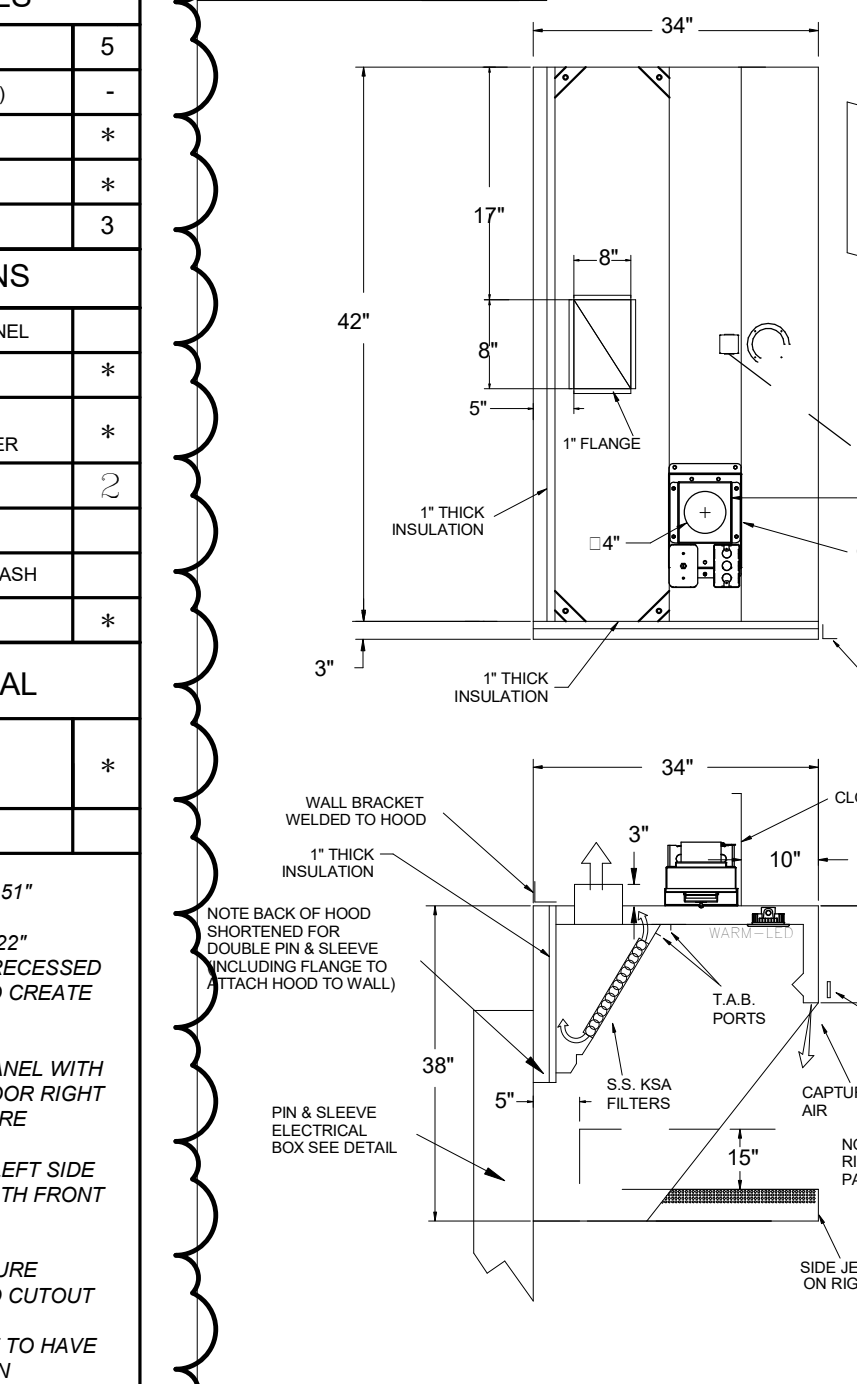
MODEL: KVL-2-IC



STANDARD FEATURES

Table listing standard features and options for KVL-2-IC hood, including S.S. filters, capture jet, stand-off, and LED lights.

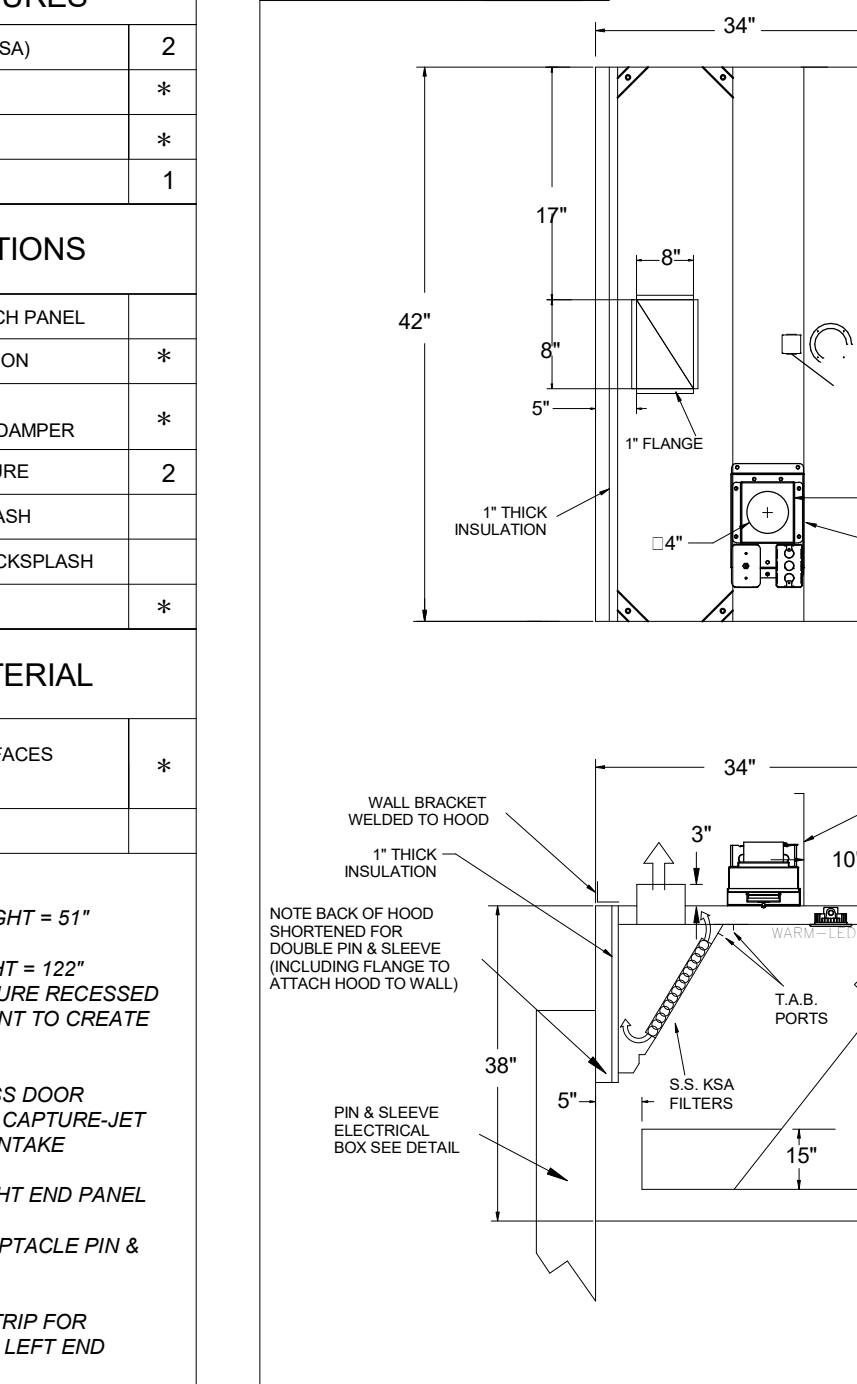
MODEL: KVL-C-IC



STANDARD FEATURES

Table listing standard features and options for KVL-C-IC hood, including S.S. filters, capture jet, stand-off, and LED lights.

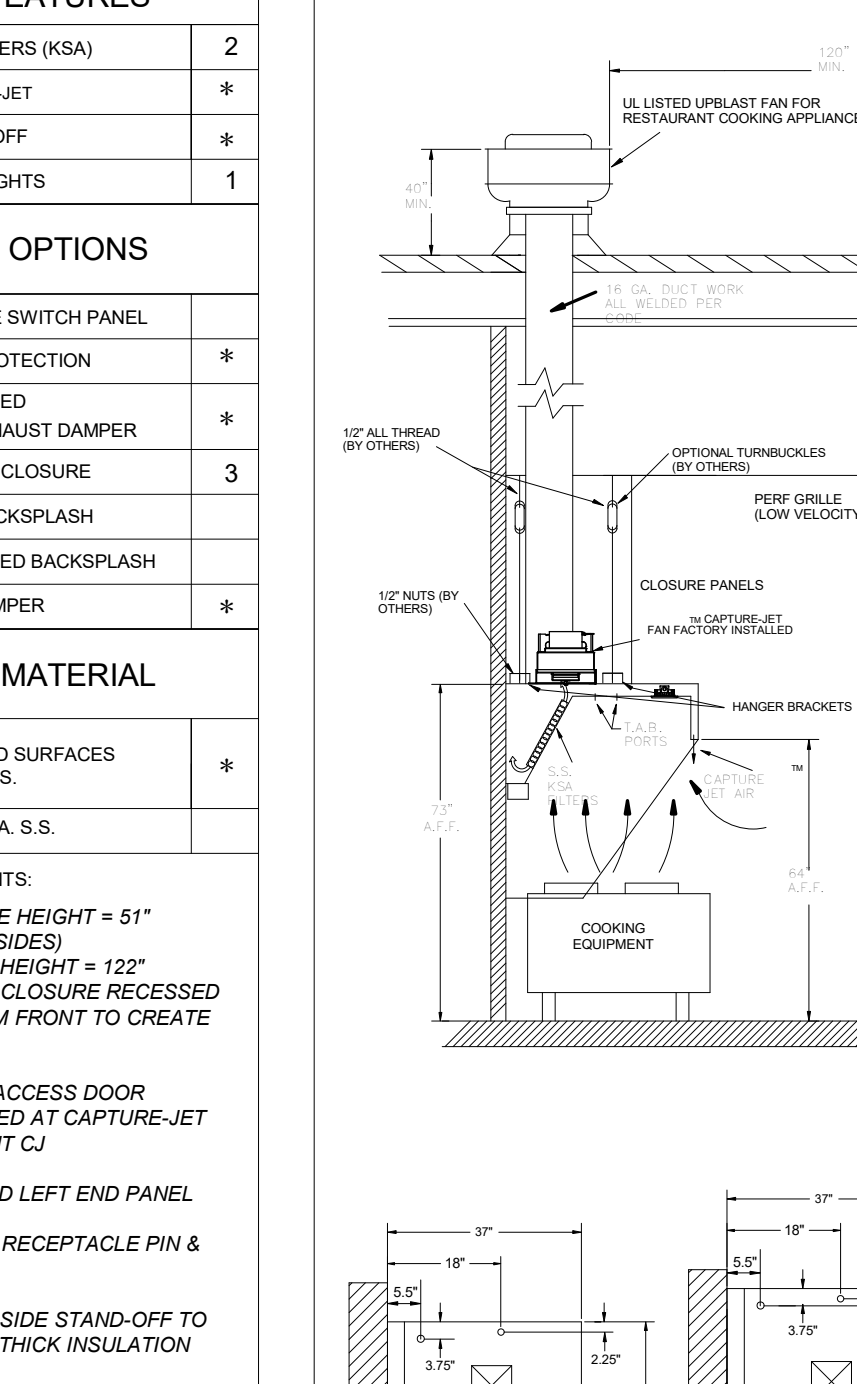
MODEL: KVL-C-IC



STANDARD FEATURES

Table listing standard features and options for KVL-C-IC hood, including S.S. filters, capture jet, stand-off, and LED lights.

MODEL: KVL-C-IC



STANDARD FEATURES

Table listing standard features and options for KVL-C-IC hood, including S.S. filters, capture jet, stand-off, and LED lights.

HANGER BRACKET DETAIL

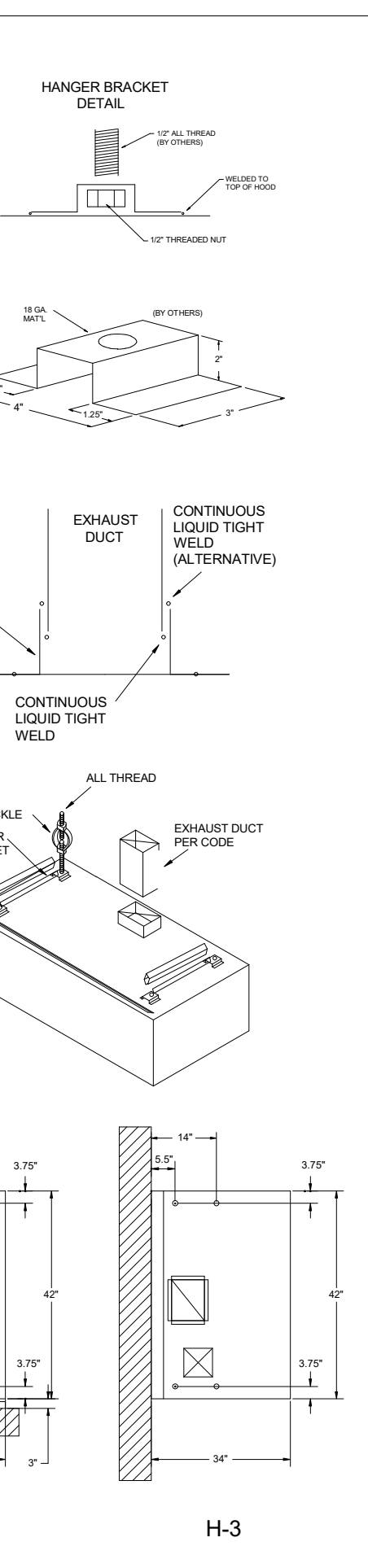


Table with columns: DATE, DWG. NO., ITEM NO., EXHAUST AIR INFORMATION (CFM, TAB, SP).

Table with columns: DATE, DWG. NO., ITEM NO., EXHAUST AIR INFORMATION (CFM, TAB, SP).

Table with columns: DATE, DWG. NO., ITEM NO., EXHAUST AIR INFORMATION (CFM, TAB, SP).

Table with columns: DATE, DWG. NO., ITEM NO., EXHAUST AIR INFORMATION (CFM, TAB, SP).

Table with columns: DATE, DWG. NO., ITEM NO., EXHAUST AIR INFORMATION (CFM, TAB, SP).

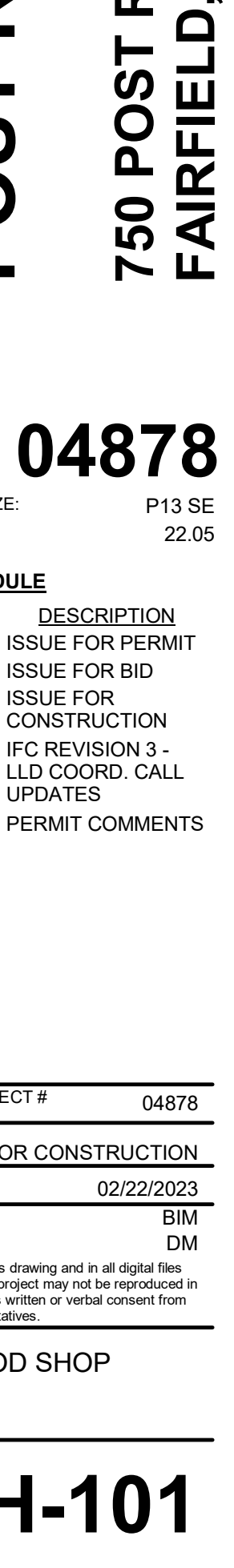
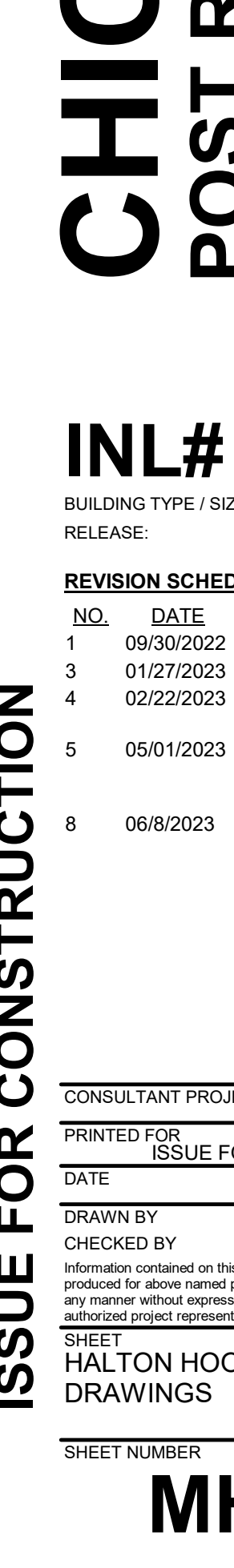
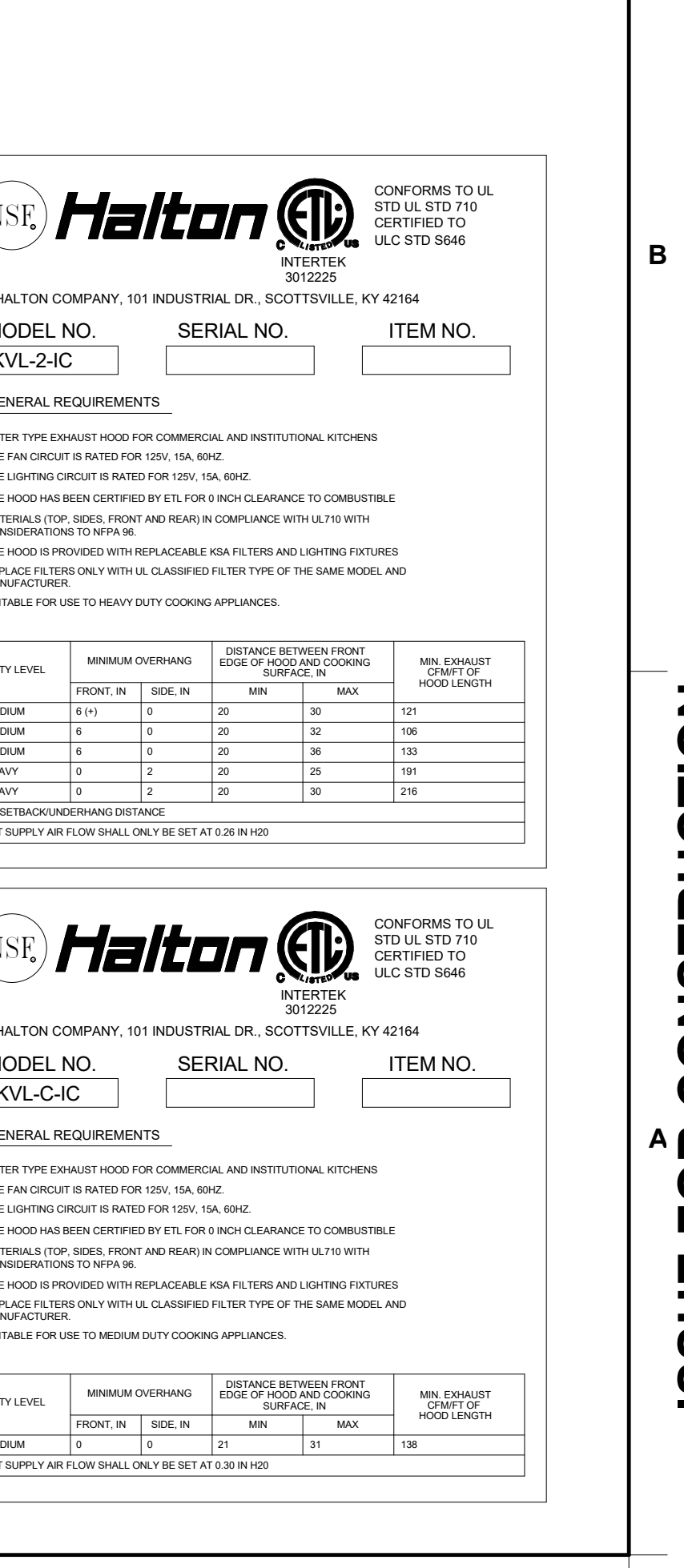
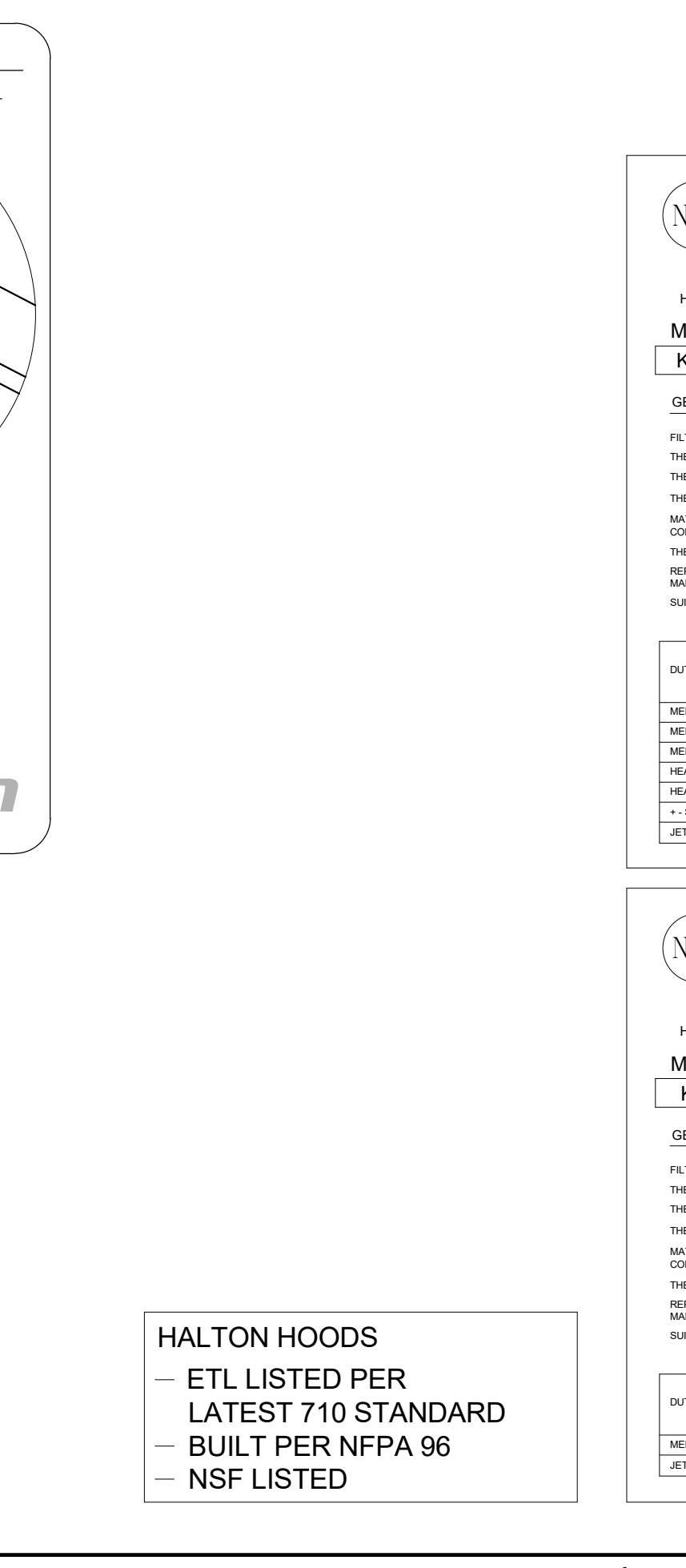
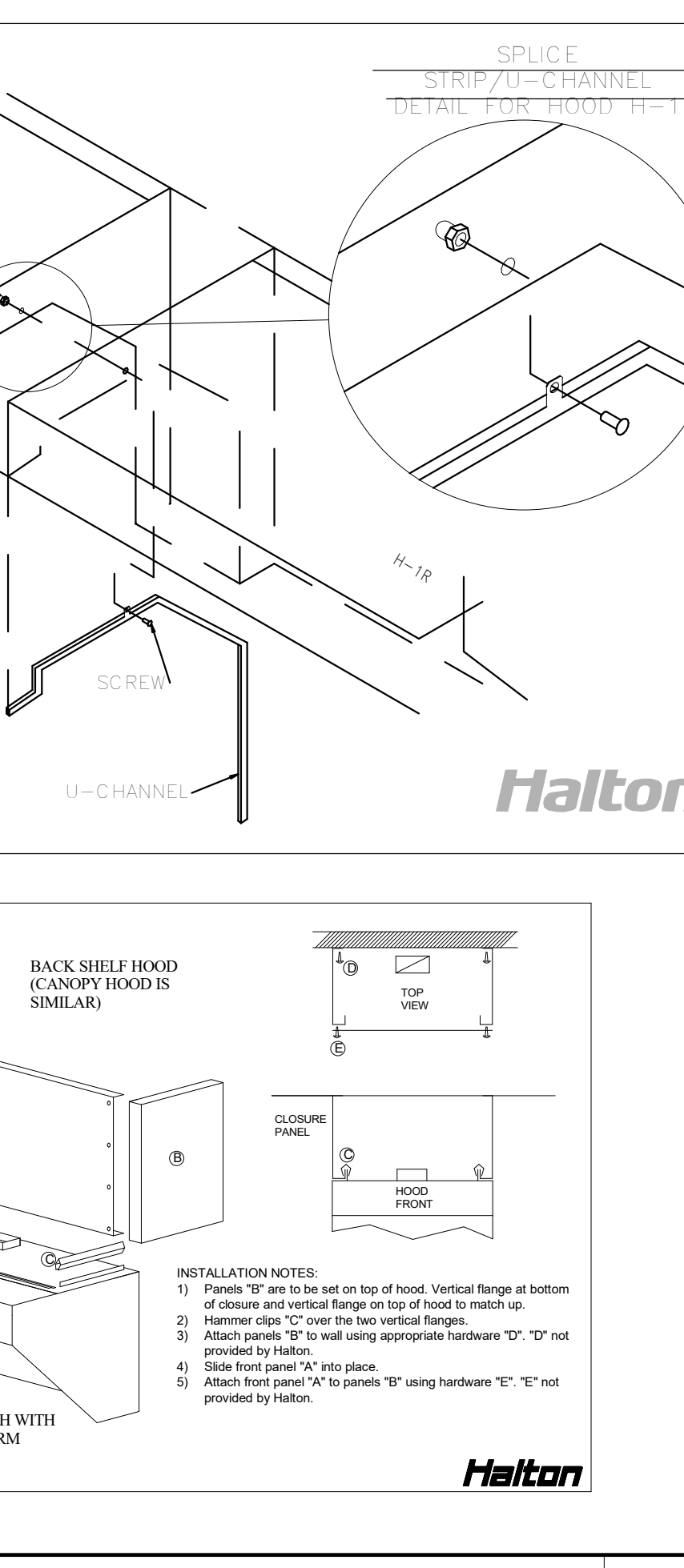
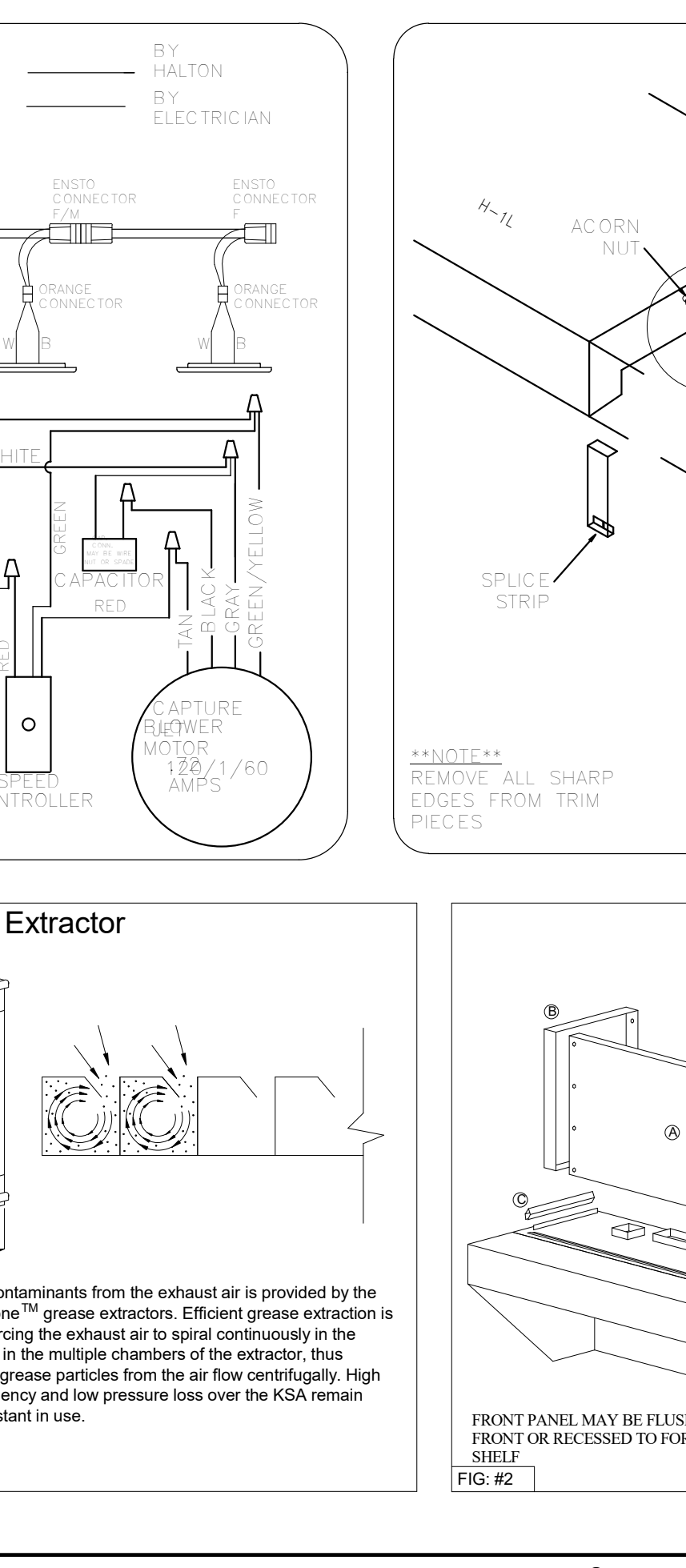
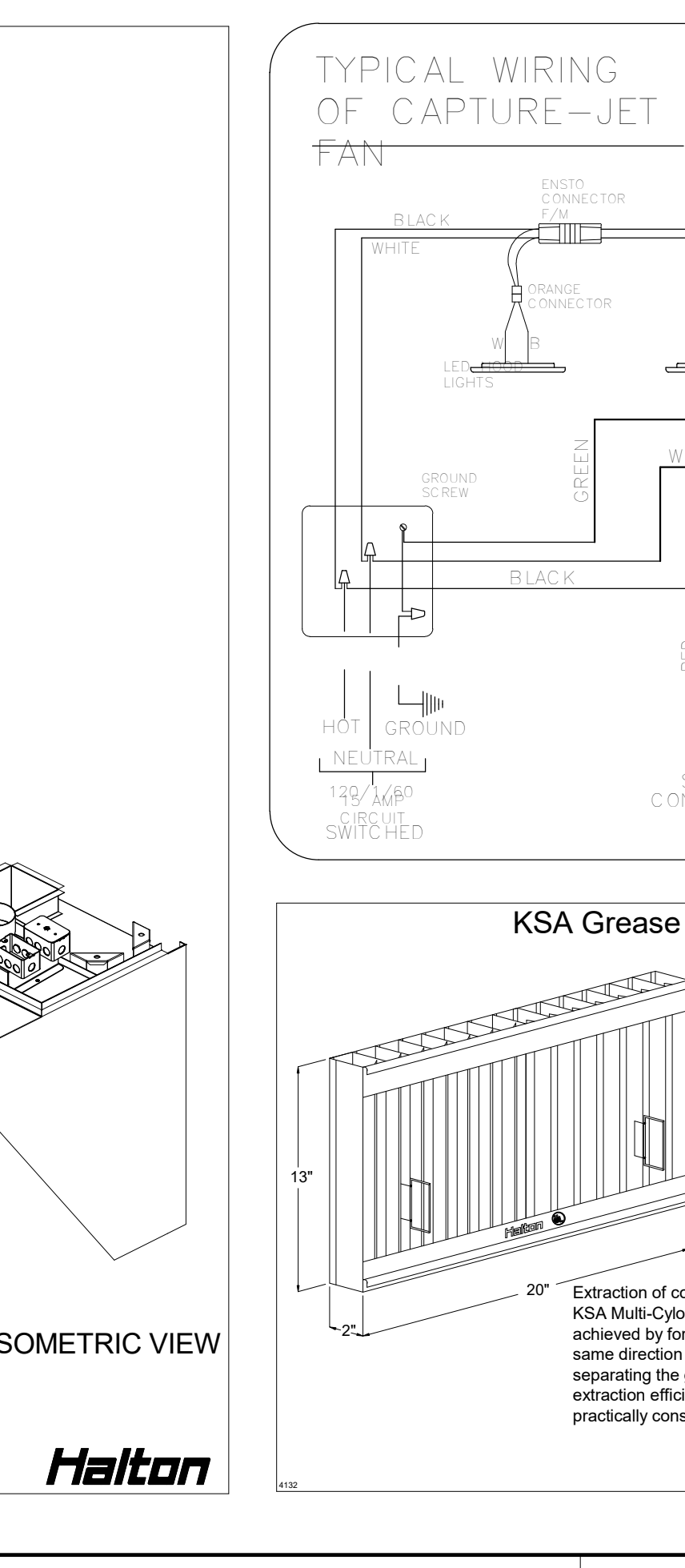
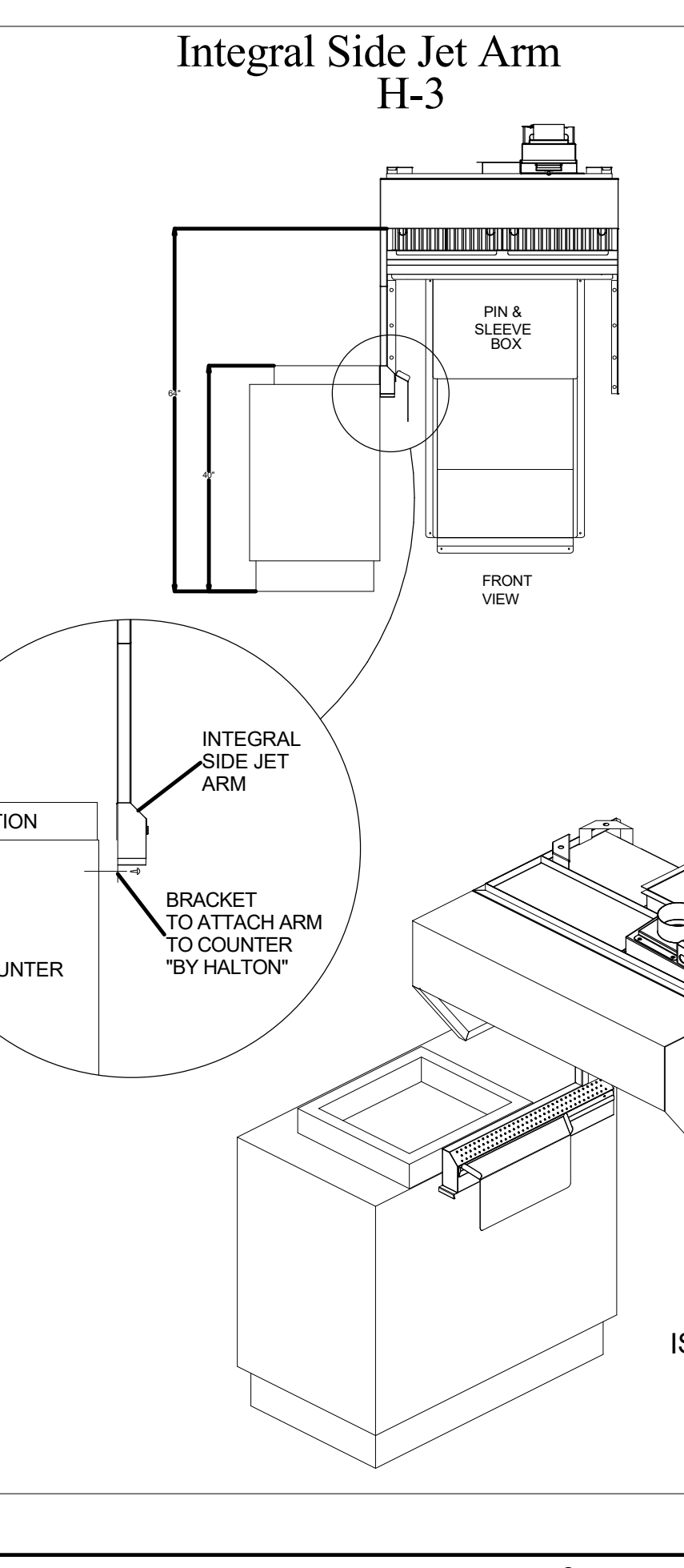
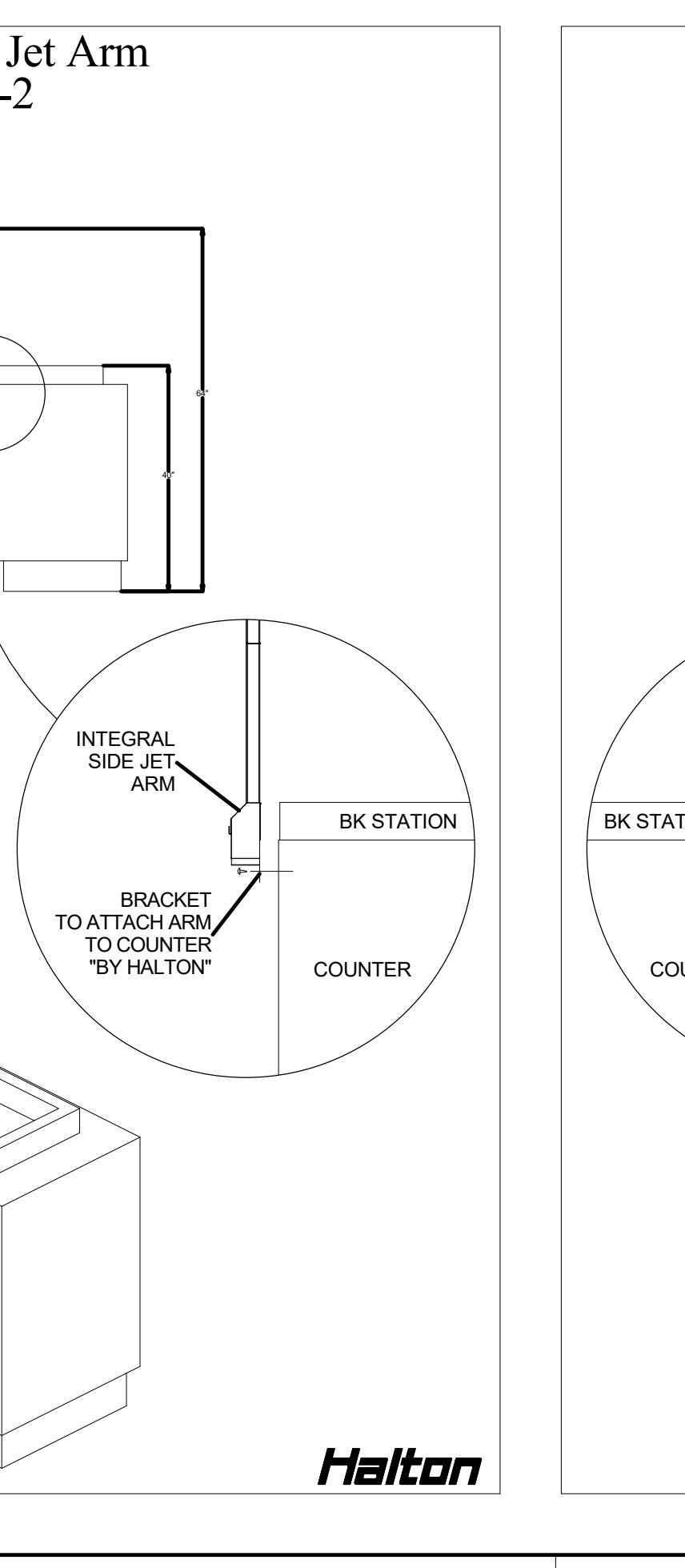
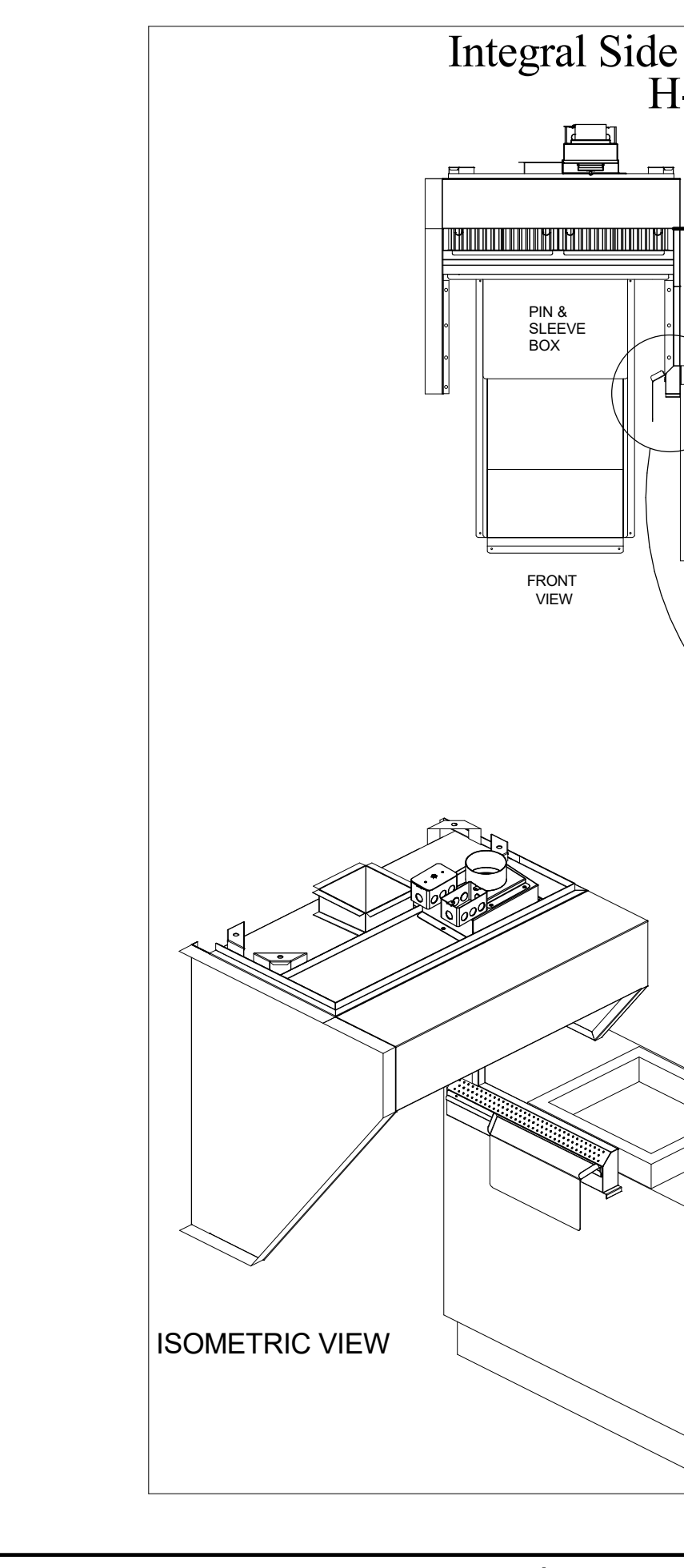
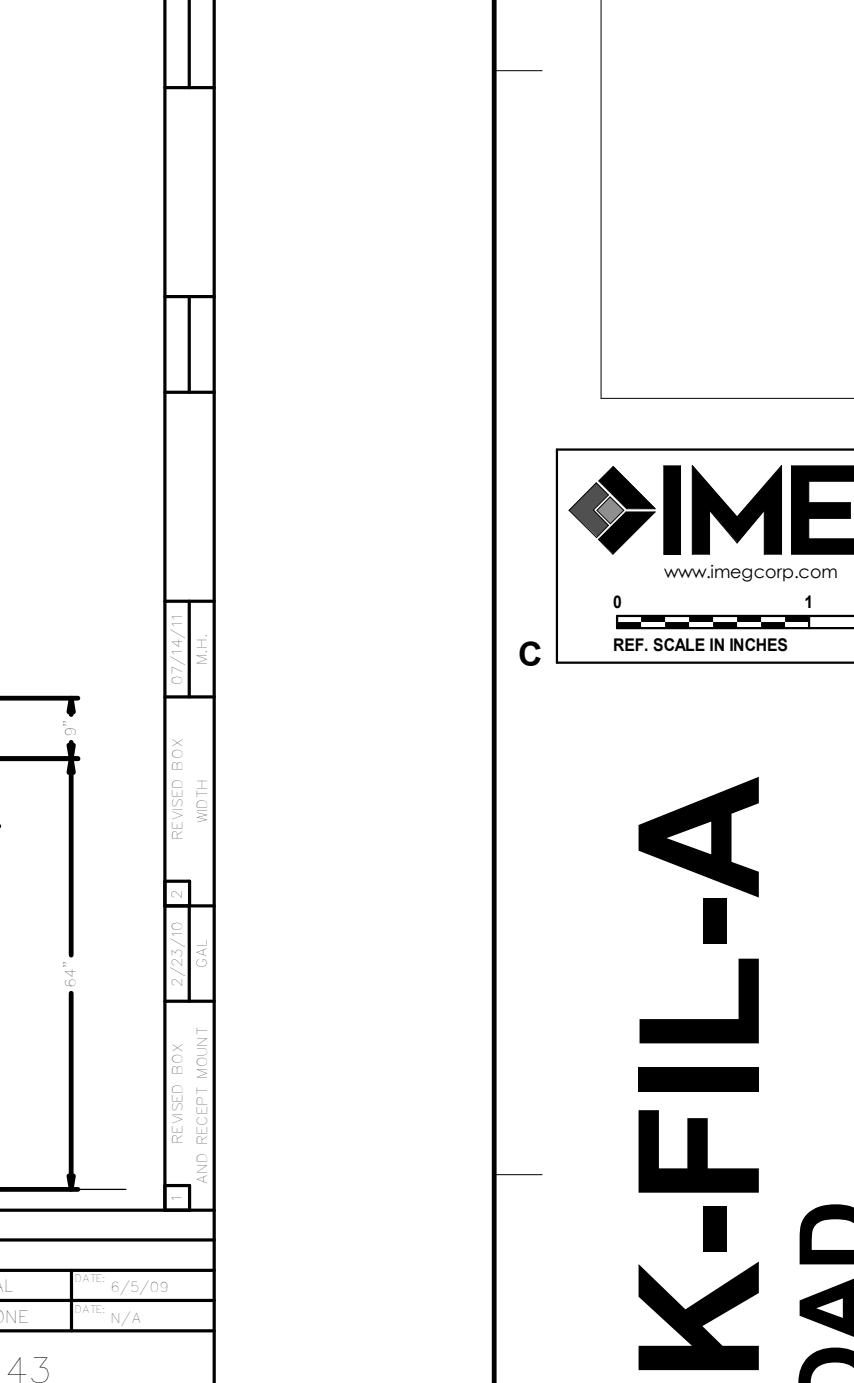
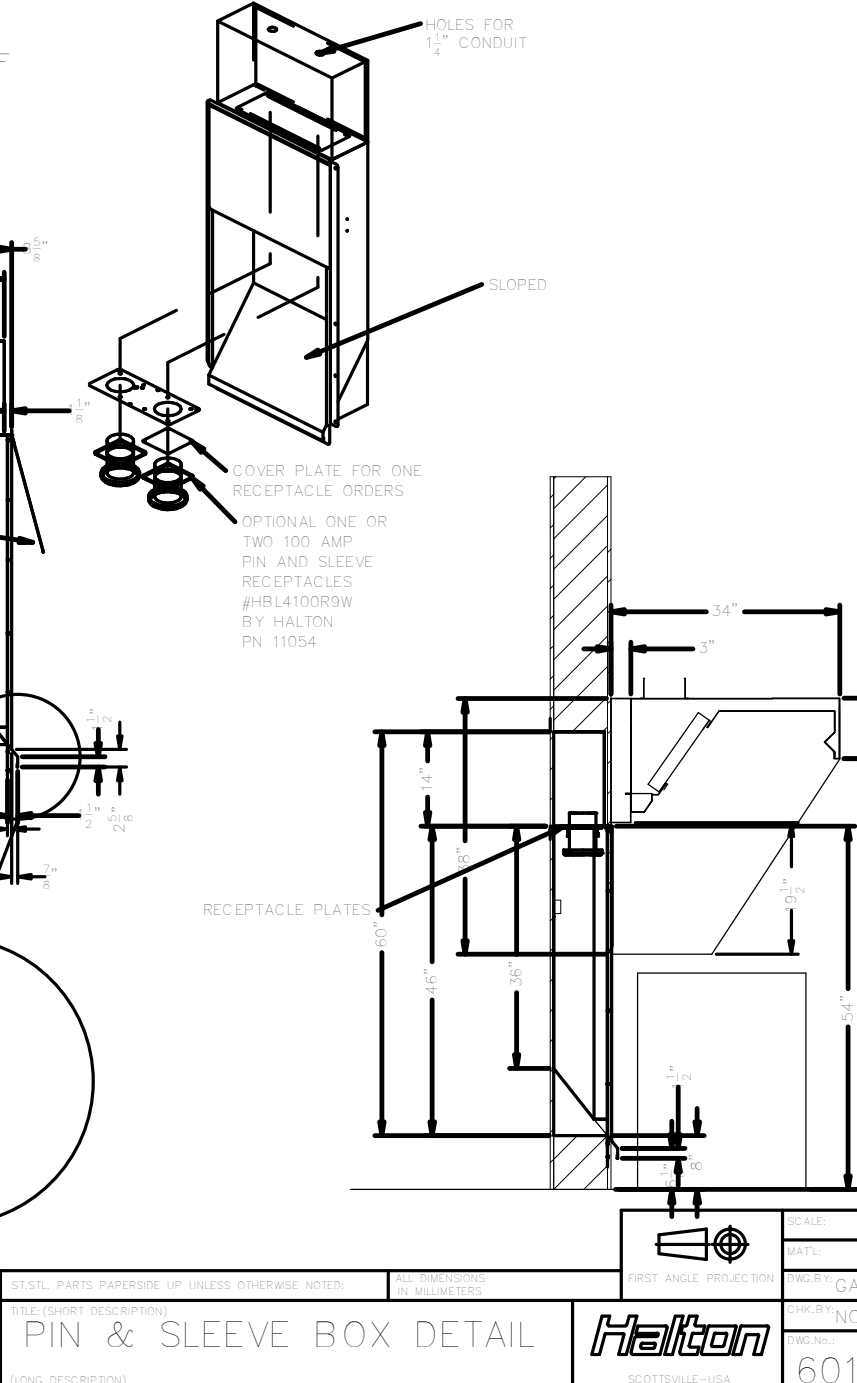
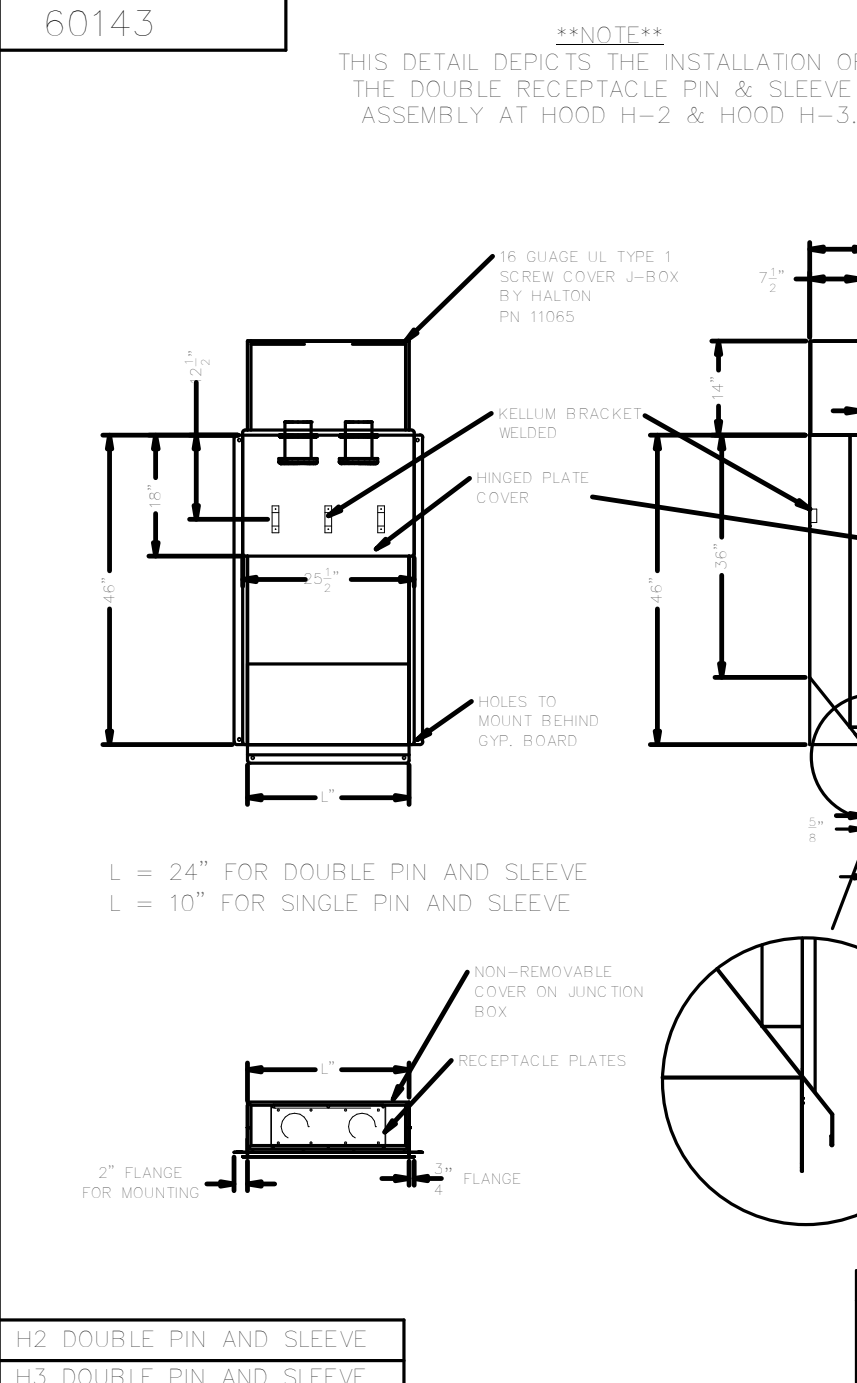
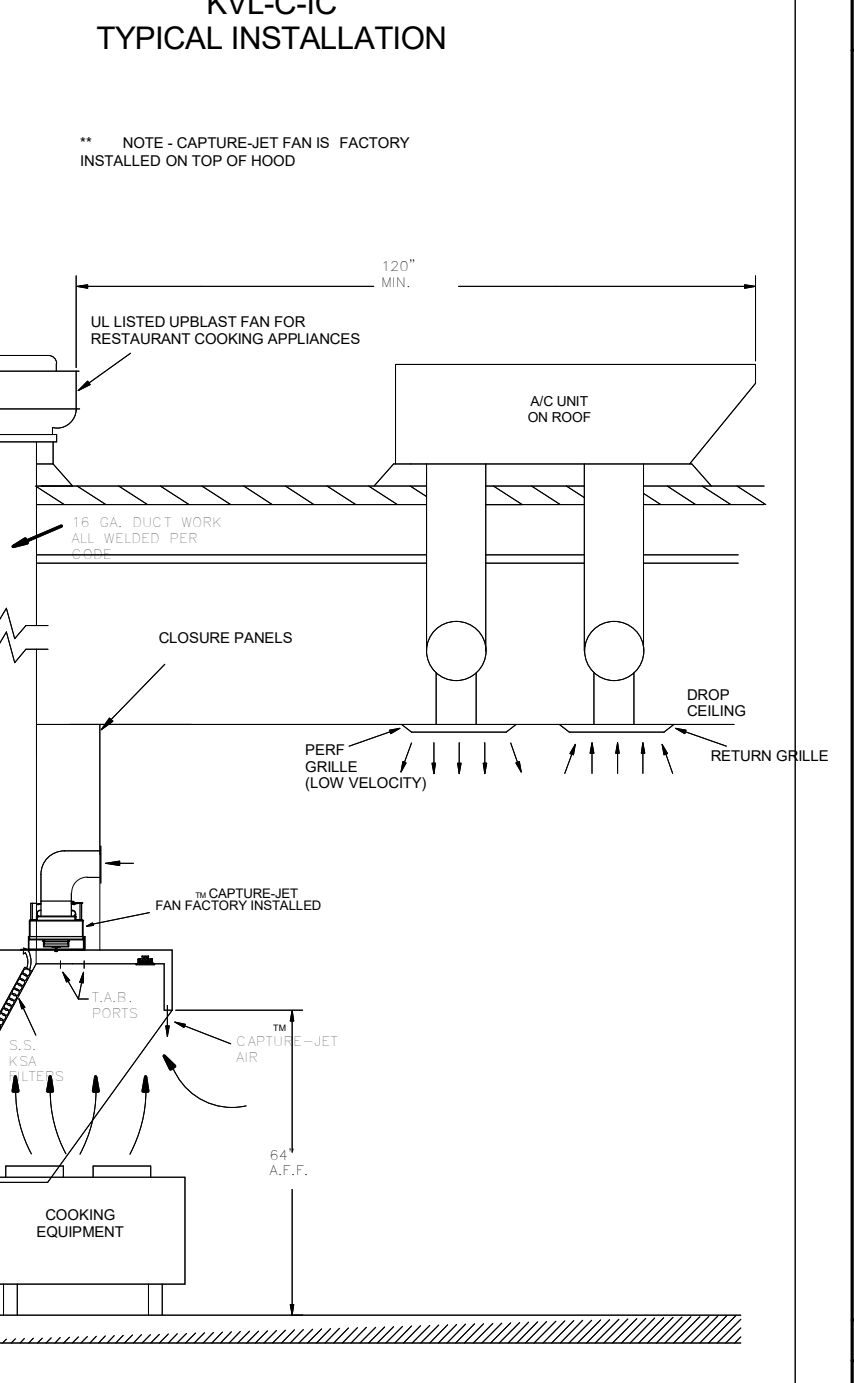
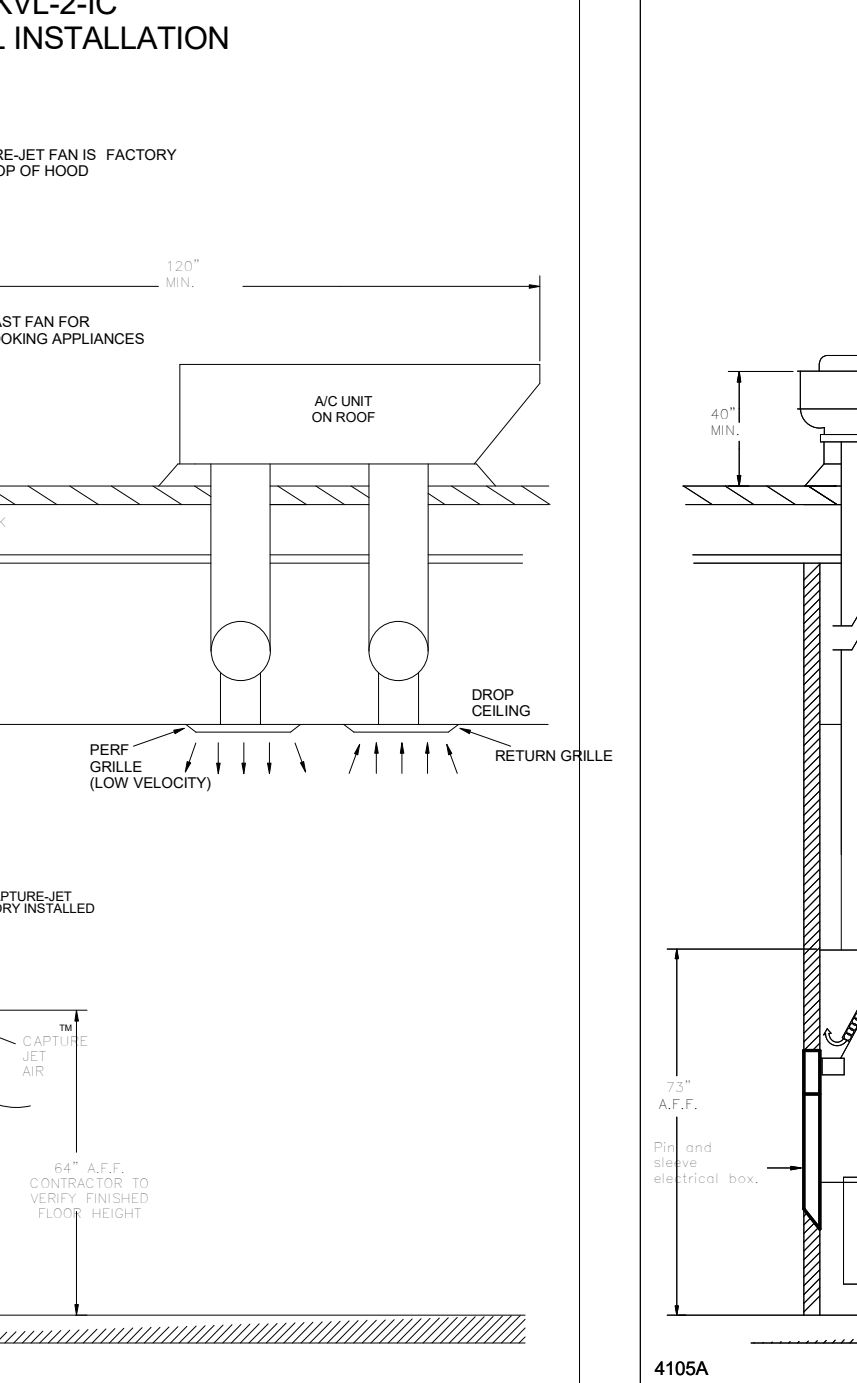
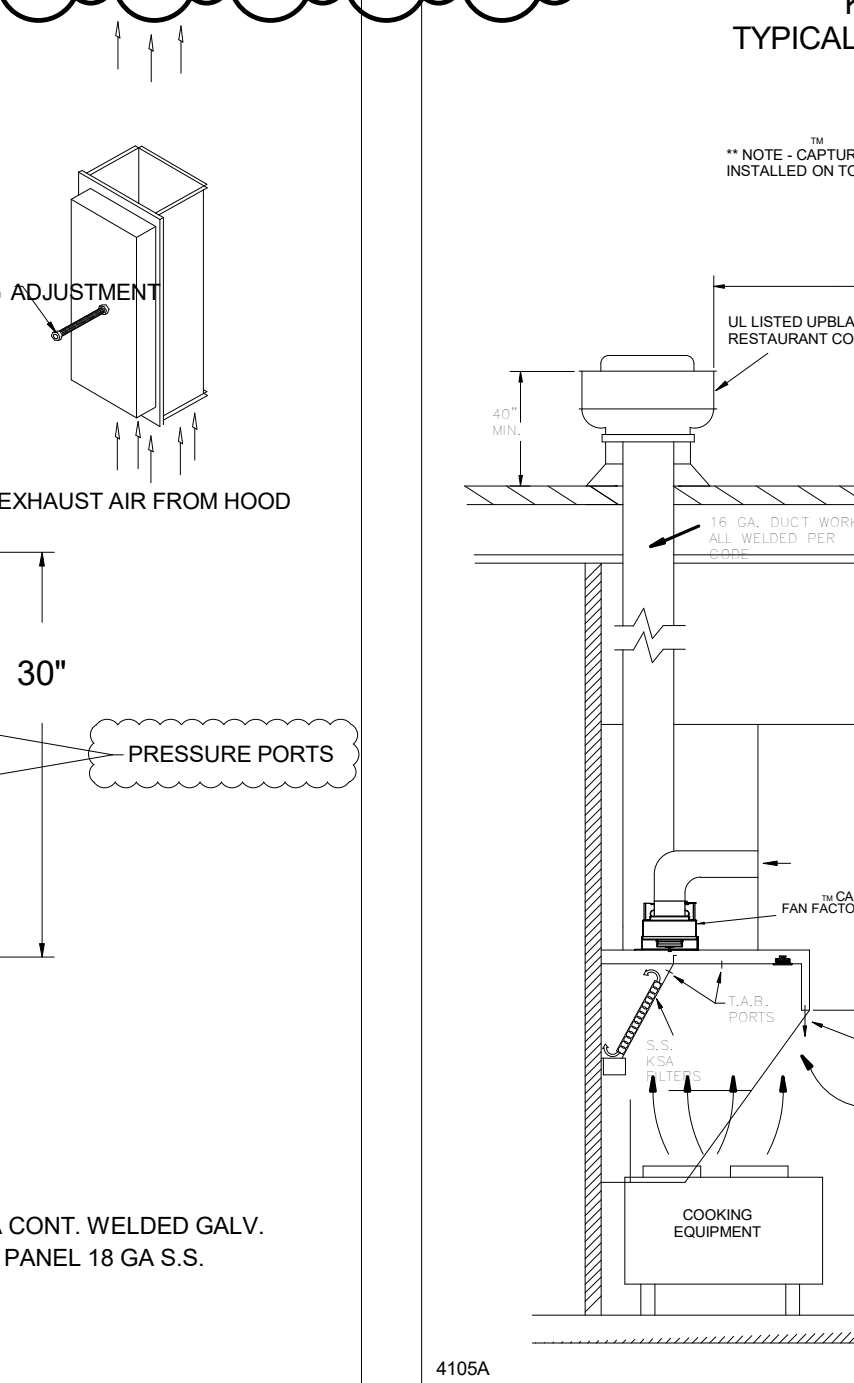
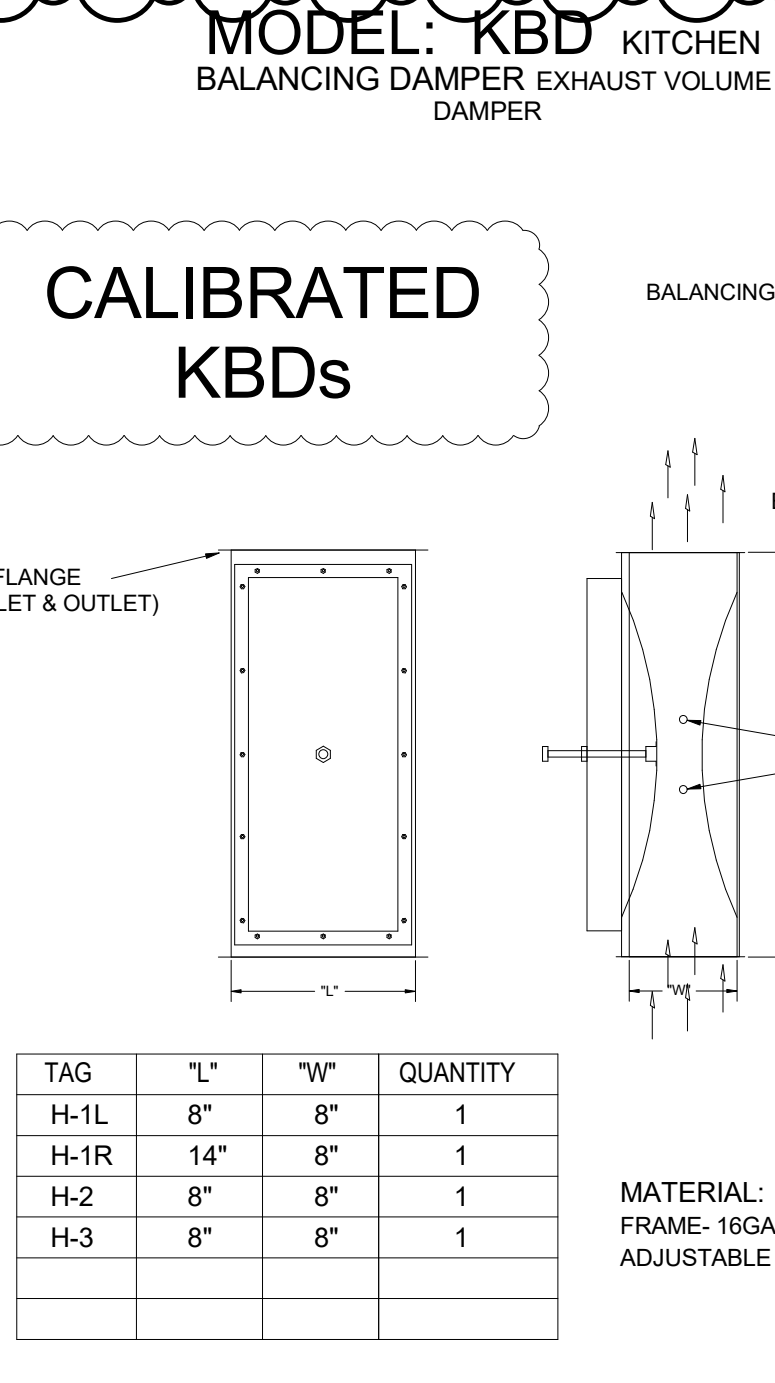
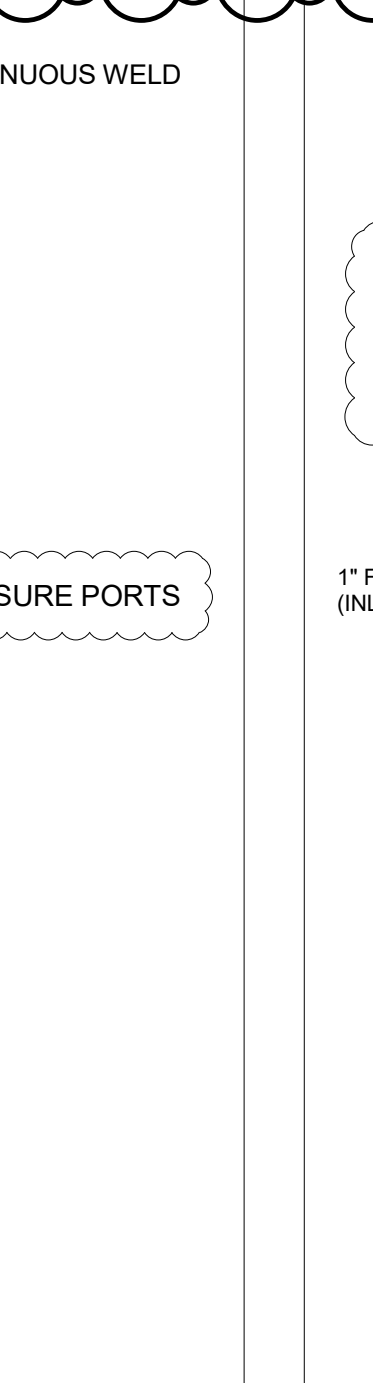
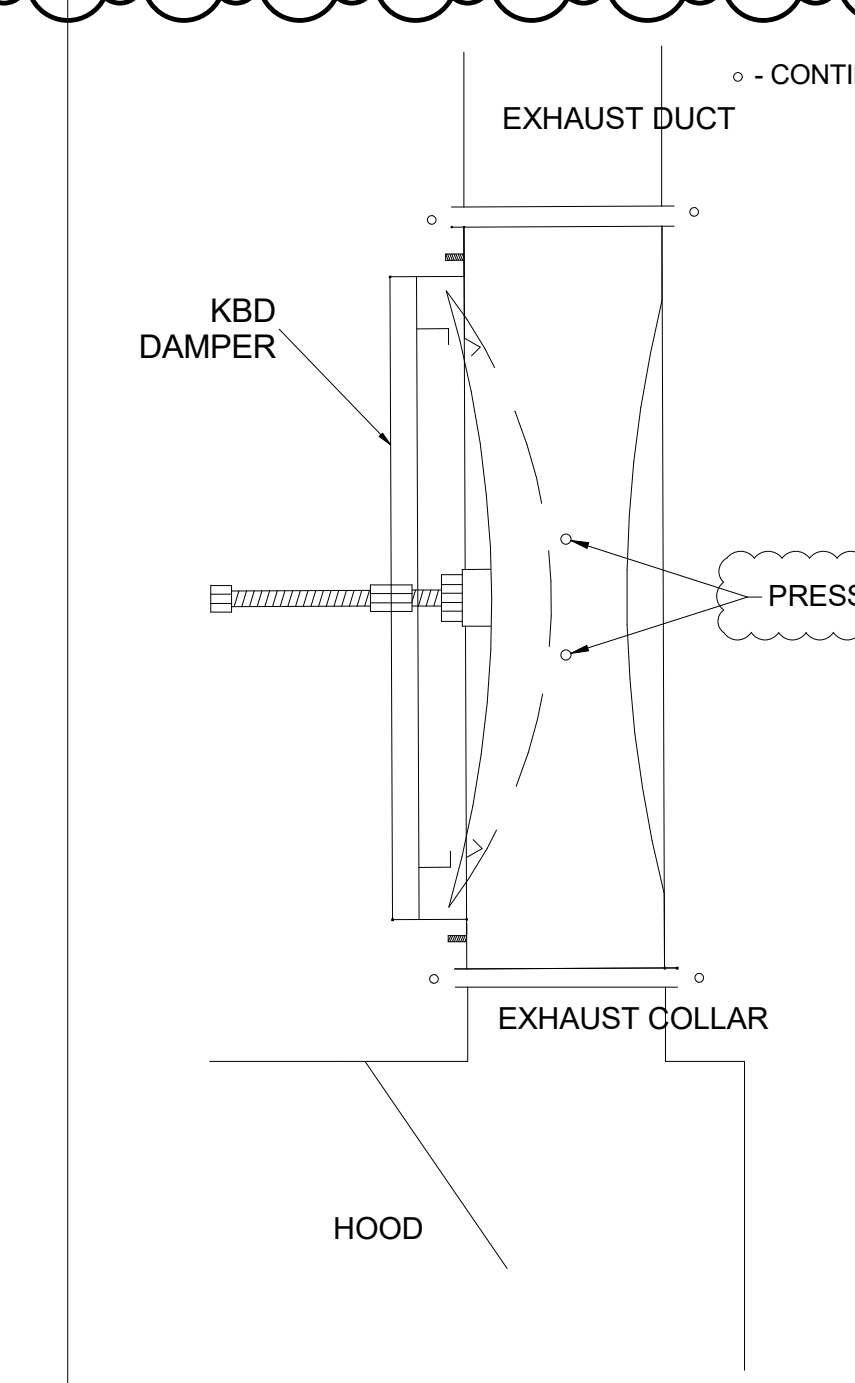
K FACTOR EQUATION: CFM = K FACTOR \* (DP)^1.85

K FACTOR EQUATION: CFM = K FACTOR \* (DP)^1.85

K FACTOR EQUATION: CFM = K FACTOR \* (DP)^1.85

K FACTOR EQUATION: CFM = K FACTOR \* (DP)^1.85

K FACTOR EQUATION: CFM = K FACTOR \* (DP)^1.85



Chick-fil-A logo and address: 5200 Buffington Road, Atlanta, Georgia 30349-2998. Includes Chipman Design Architecture Group PC logo and contact information.

IMEG logo and address: 225 W WASHINGTON STREET, SUITE 2700, CHICAGO, IL 60606. Includes scale bar and revision schedule.

Chick-Fil-A logo and address: 750 POST ROAD & 42 ELLIOT ST., FAIRFIELD, CT 06824. Includes INL# 04878, building type, and revision schedule.

**GREASE EXHAUST DUCT CLEARANCE NOTE:**  
 CLEARANCES ABOVE CEILING ARE TIGHT. MECHANICAL CONTRACTOR TO FIELD VERIFY EXACT ROUTING AND CLEARANCES PRIOR TO FABRICATING GREASE EXHAUST DUCT.

**CLEANOUT DOOR NOTE:**  
 DUCT WRAP SHALL BE APPLIED TO THE CLEANOUT DOOR PER THE WRAP MFR'S INSTALLATION INSTRUCTIONS, NO EXCEPTIONS. ALSO, THE CLEANOUT DOOR MUST BE REMOVABLE WITHOUT TOOLS AND MUST BE CLEARLY AND PERMANENTLY LABELED.

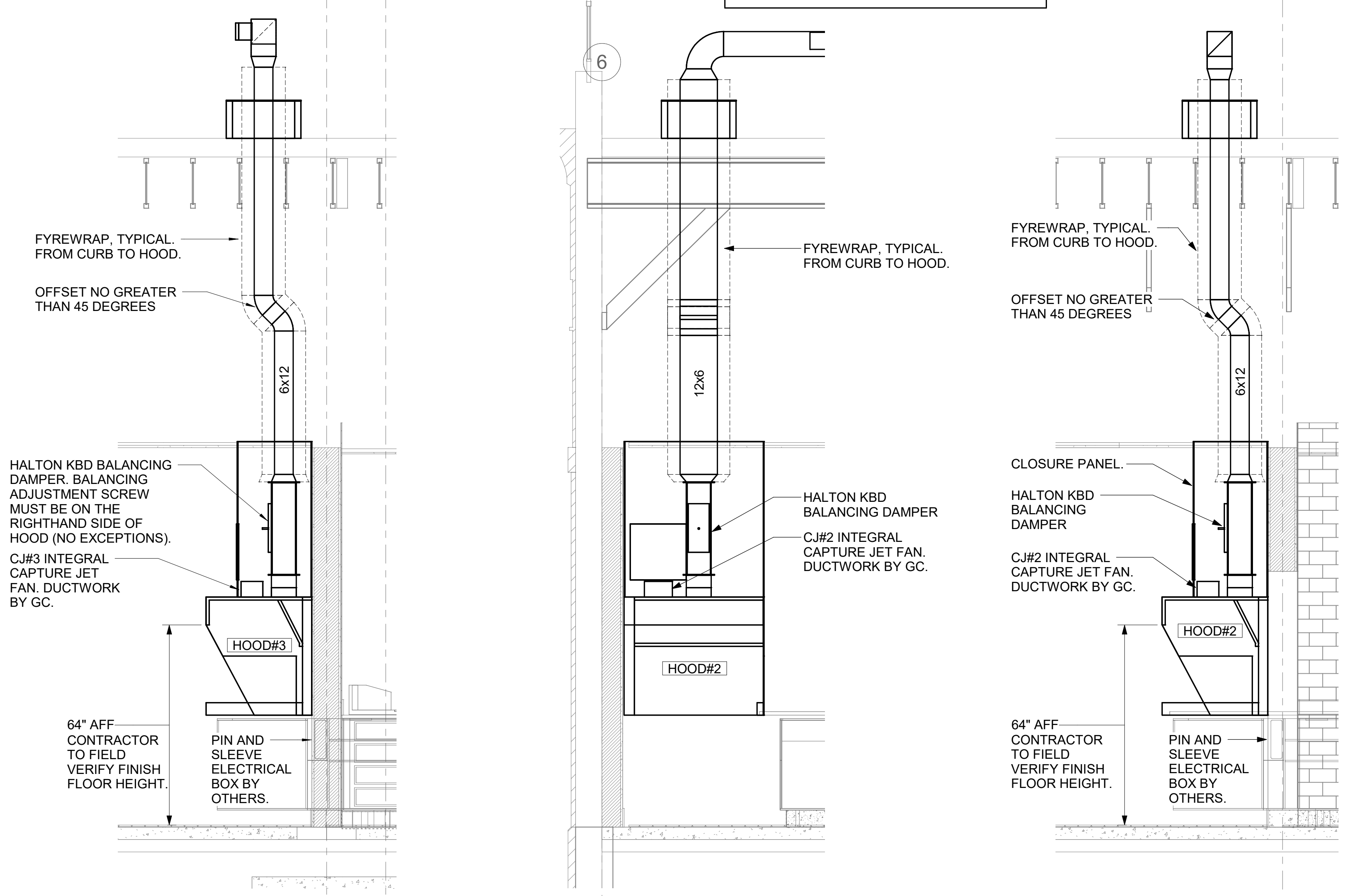
### HOOD SCHEDULE

| MARK    | EXHAUST CFM | SP @ TAB PORT | CAPTURE JET CFM & S.P. | TYPE      | COLLAR SIZE | WIDTH | DEPTH | HEIGHT | MANUFACTURER | MODEL    | REMARKS                                 |
|---------|-------------|---------------|------------------------|-----------|-------------|-------|-------|--------|--------------|----------|---|
| HOOD#1L | 709         | 0.13"         | 47@ 0.30               | BACKSHELF | 8"x8"       | 63    | 37    | 38     | HALTON       | KVL-2-IC | 1,2,3,5,7,8,9,12,20,21,22               |
| HOOD#1R | 1,204       | 0.13"         | 80 @ 0.30              | BACKSHELF | 14"x8"      | 107   | 37    | 38     | HALTON       | KVL-2-IC | 1,2,3,4,5,7,8,9,12,16,21,23             |
| HOOD#2  | 701         | .30"          | 30 @ 0.29"             | BACKSHELF | 8"x8"       | 42    | 34    | 38     | HALTON       | KVL-C    | 1, 2, 3, 6, 7, 8, 9,12,13,15,16,18, 21  |
| HOOD#3  | 701         | .30"          | 30 @ 0.29"             | BACKSHELF | 8"x8"       | 42    | 34    | 38     | HALTON       | KVL-C    | 1, 2, 3, 4, 6, 7, 8, 10, 12, 14, 17, 21 |

NOTES: DIMENSIONS OF HOODS INCLUDE BACK AND SIDE SPACERS (HEIGHT DOES NOT INCLUDE CLOSURE PANELS).

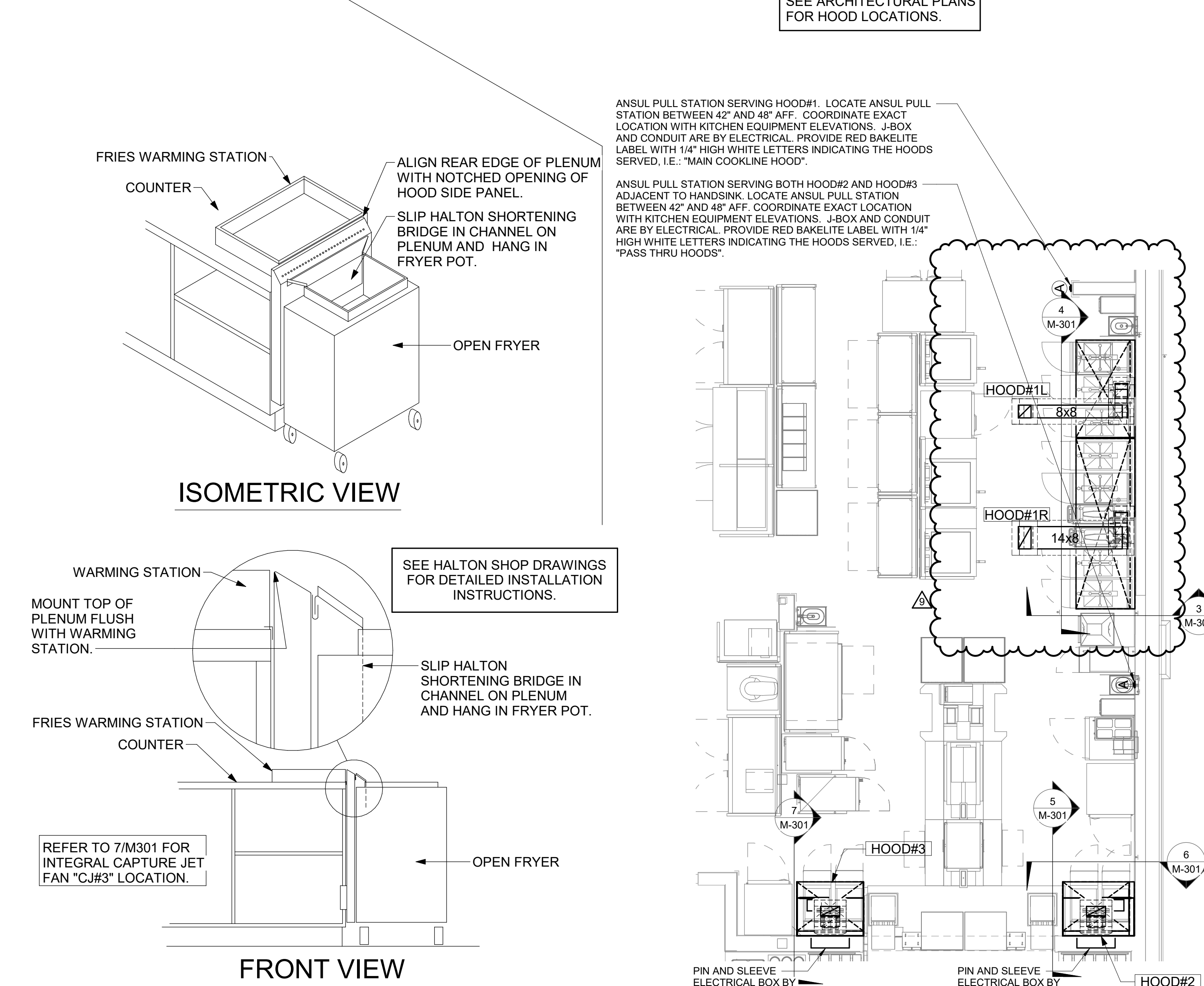
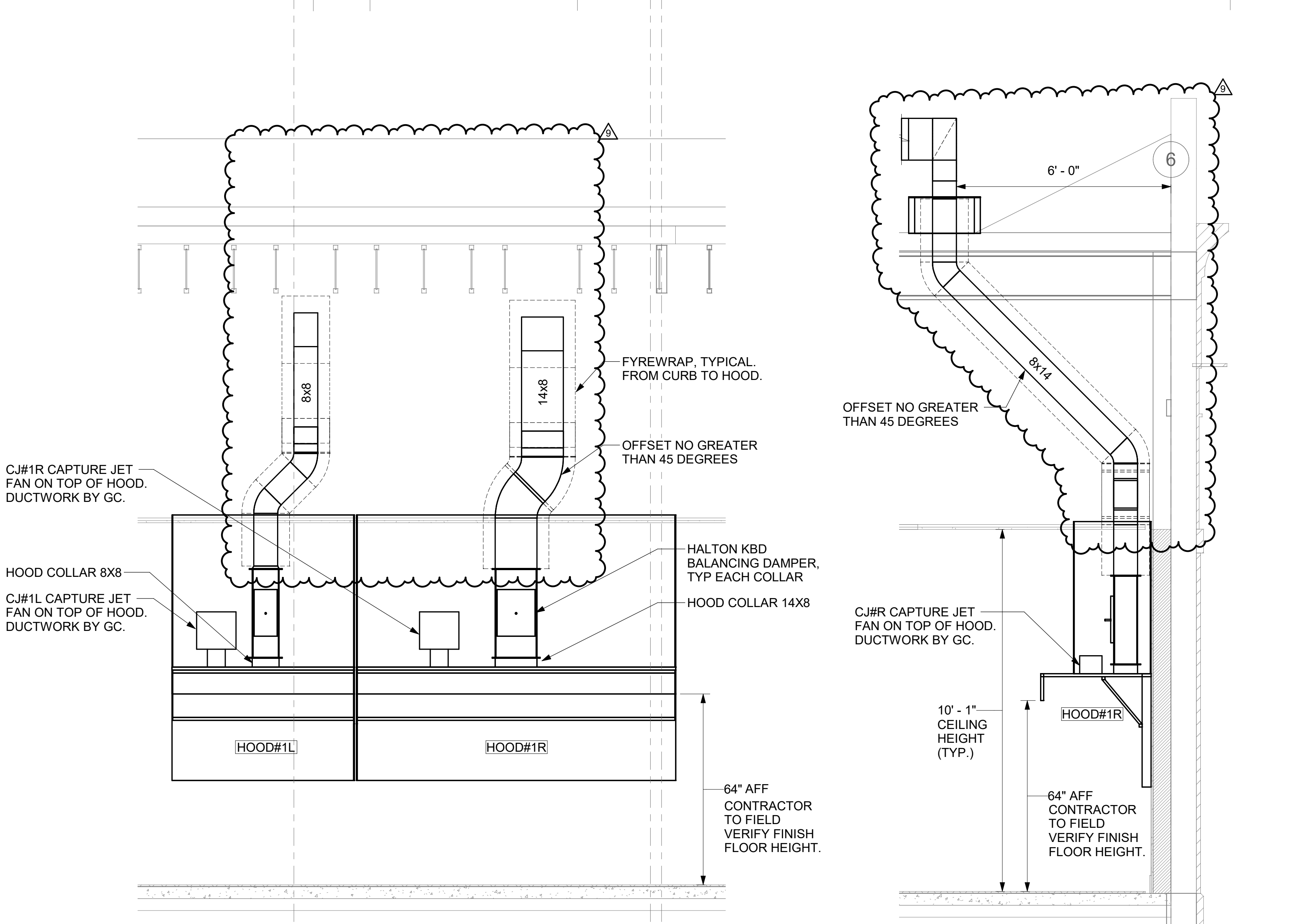
REMARKS:

1. STAINLESS STEEL CONSTRUCTION.
2. PROVIDE FULL HEIGHT SS CLOSURE PANEL WITH ACCESS PANEL IN FRONT LARGE ENOUGH TO REMOVE CAPTURE JET FAN, SERVICE ANSUL COMPONENTS, AND/OR TO ACCESS KBD EQUALIZER JACK SCREW.
3. PROVIDE PRE-PIPED ANSUL R-102 WET FIRE EXTINGUISHING SYSTEM.
4. ANSUL CABINET AND COMPONENTS ABOVE HOOD ON RIGHT SIDE.
5. PROVIDE 3" ZERO CLEARANCE TO COMBUSTIBLE BACK SPACER.
6. PROVIDE 3" ZERO CLEARANCE TO COMBUSTIBLE CUSTOM BACK SPACER TO ACCOMMODATE PIN AND SLEEVE ELECTRICAL BOX.
7. PROVIDE EQUIPMENT I.D. LABELS LOCATED ON FRONT LEADING EDGE OF HOOD.
8. PROVIDE FACTORY WALL MOUNTING ANGLE AT TOP OF HOOD.
9. PROVIDE TOP PLENUM CAPTURE JET FAN, SPEED CONTROLLER AND COLLAR.
10. PROVIDE COUNTER MOUNTED SIDE CAPTURE JET PLENUM ASSEMBLY AND FAN ON LEFT SIDE OF HOOD.
11. PROVIDE FACTORY INSTALLED CAPTURE JET FAN IN PLENUM.
12. PROVIDE CAPTURE JET AIR INLET AND COLLAR AT FRONT OF CLOSURE PANEL.
13. PROVIDE PIN AND SLEEVE ELECTRICAL BOX (DOUBLE CONNECTION). SEE ARCHITECTURAL AND ELECTRICAL DRAWINGS FOR ADDITIONAL INFORMATION.
14. PROVIDE PIN AND SLEEVE ELECTRICAL BOX (SINGLE CONNECTION). SEE ARCHITECTURAL AND ELECTRICAL DRAWINGS FOR ADDITIONAL INFORMATION.
15. PROVIDE 3" ZERO CLEARANCE TO COMBUSTIBLE LEFT SIDE SPACER.
16. PROVIDE NOTCHED RIGHT END SIDE PANEL.
17. PROVIDE NOTCHED LEFT END SIDE PANEL.
18. PROVIDE 3"x3" HORIZONTAL AND VERTICAL TRIM ANGLE FOR LEFT SIDE OF HOOD TO FINISH OFF GAP AT WALL.
19. PROVIDE FULL RIGHT END SIDE PANEL.
20. PROVIDE FULL LEFT END SIDE PANEL.
21. PROVIDE HALTON KBD EQUALIZER.
22. CONTINUOUS CAPTURE INTERNAL RIGHT END CUTOUT.
23. CONTINUOUS CAPTURE INTERNAL LEFT END CUTOUT.



- ### KITCHEN HOOD SYSTEMS NOTES
1. CHICK-FIL-A MAINTAINS AN ACCOUNT WITH HALTON CO. FOR THE HOODS. CHICK-FIL-A WILL PURCHASE AND PROVIDE THE HOODS FOR INSTALLATION BY THE MECHANICAL CONTRACTOR. THE MECHANICAL CONTRACTOR SHALL BE RESPONSIBLE FOR RECEIVING THE HOODS. CONTACT HALTON CO. AT 270-237-5600 FOR MORE INFO.
  2. THE FIRE SUPPRESSION SYSTEM SHALL CONSIST OF A COMPLETE WET ANSUL SYSTEM FURNISHED BY HALTON. THE HOOD SHALL BE FURNISHED PRE-PIPED BY HALTON.
  3. THE R-102 ANSUL FIRE SUPPRESSION SYSTEM EXTERNAL TO THE HOODS SHALL BE INSTALLED IN ACCORDANCE WITH HOOD MANUFACTURER'S SHOP DRAWINGS BY AN AUTHORIZED ANSUL SYSTEM INSTALLER SELECTED AND HIRED BY HALTON. COST FOR ANSUL INSTALLATION INCLUDED IN PRICE OF HOODS TO TENANT.
  4. HOOD EXHAUST DUCTWORK SHALL BE 16 GA. BLACK STEEL WITH CONTINUOUS LIQUID TIGHT WELD OF JOINTS & SEAMS.
  5. TURNS IN GREASE EXHAUST DUCTWORK SHALL BE LONG RADIUS TYPE, WITH A CENTERLINE RADIUS R=3W/2, UNLESS OTHERWISE NOTED. NO MITERED FITTINGS ALLOWED.
  6. ALL STAINLESS STEEL CLOSURE PANELS SHALL BE SUPPLIED BY HOOD MANUFACTURER AND INSTALLED BY THE MECHANICAL CONTRACTOR ACCORDING TO MANUFACTURER'S RECOMMENDATIONS.
  7. SLOPE ALL GREASE EXHAUST DUCT BACK TO HOOD AT 1/4" PER FOOT OF RUN.
  8. WRAP NEW GREASE DUCT WITH UNIFRAX FYREWRAP. INSULATION ON ACCESS DOORS SHALL BE INSTALLED ACCORDING TO MANUFACTURER'S INSTALLATION RECOMMENDATIONS. UNIFRAX FYREWRAP PRODUCT USED SHALL MEET LOCAL CODE REQUIREMENTS.
  9. SUPPORT ALL HOODS WITH THREADED ROD AT EACH FACTORY SUPPORT POINT. EACH SUPPORT POINT MUST SUPPORT THE HOOD WEIGHT EQUALLY. ATTACH TO STRUCTURE AS DETAILED ON STRUCTURAL DRAWINGS. ATTACH HOOD TO WALL AT 16" INTERVALS ALONG FULL LENGTH OF HOOD ON TOP AND BOTTOM. ATTACHMENT TO WALL REQUIRES FIELD DRILLING OF SUPPORT ANGLE AT BACK OF HOODS. EACH WALL ATTACHMENT POINT MUST OCCUR AT A WALL STUD. ATTACHMENT HARDWARE TO BE #12-24 HEX HEAD SHEET METAL SCREW EQUAL TO TEXTRON SDS EDT265. LENGTH AS REQUIRED TO FULLY PENETRATE THE STUD.

7 HOOD ELEVATION -HOOD#3 1/2" = 1'-0"  
 6 HOOD ELEVATION -HOOD#2 -FRONT 1/2" = 1'-0"  
 5 HOOD ELEVATION -HOOD#2 -SIDE 1/2" = 1'-0"



4 HOOD ELEVATION -HOOD#1 -FRONT 1/2" = 1'-0"  
 3 HOOD ELEVATION -HOOD#1 -SIDE 1/2" = 1'-0"  
 2 HALTON SIDE CAPTURE JET PLENUM NOT TO SCALE  
 1 HOOD LAYOUT 1/4" = 1'-0"



**Chick-fil-A**

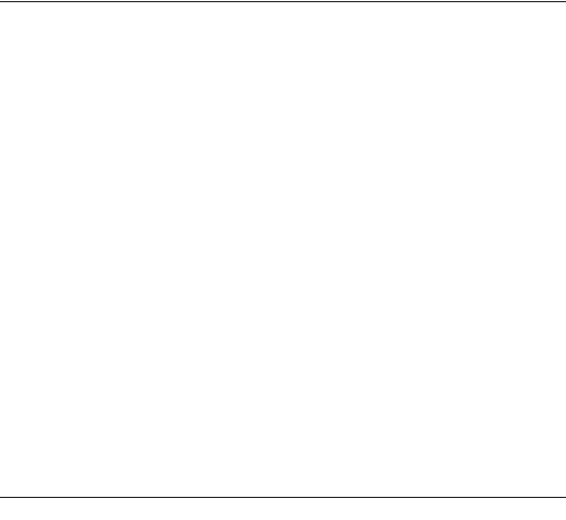
**Chick-fil-A**  
 5200 Buffington Road  
 Atlanta, Georgia  
 30349-2998



**CHIPMAN DESIGN ARCHITECTURE GROUP PC**

1350 E TOUHY AVE  
 FIRST FLOOR EAST  
 DES PLAINES, IL 60018  
 TEL: 847.298.6900

I HEREBY CERTIFY THAT THESE PLANS HAVE BEEN PREPARED UNDER MY SUPERVISION AND THAT TO THE BEST OF MY KNOWLEDGE, THEY COMPLY WITH ALL RULES, REGULATIONS AND ORDINANCES OF FAIRFIELD, CT RELATING TO STRUCTURES AND BUILDINGS.



225 W WASHINGTON STREET  
 SUITE 2700  
 CHICAGO, IL 60606  
 P: 312.294.0501 F: 312.294.0003  
 www.imeg.com

**CHICK-FIL-A**  
 POST ROAD  
 750 POST ROAD & 42 ELLIOT ST.  
 FAIRFIELD, CT 06824

**INL# 04878**  
 BUILDING TYPE / SIZE: P13 SE  
 RELEASE: 22.05

**REVISION SCHEDULE**

| NO. | DATE       | DESCRIPTION                               |
|-----|------------|---|
| 1   | 09/30/2022 | ISSUE FOR PERMIT                          |
| 3   | 01/27/2023 | ISSUE FOR BID                             |
| 4   | 02/22/2023 | ISSUE FOR CONSTRUCTION                    |
| 5   | 05/01/2023 | IFC REVISION 3 - ILLD COORD. CALL UPDATES |
| 8   | 06/8/2023  | PERMIT COMMENTS                           |
| 9   | 07/14/2023 | IFC REVISION 4                            |

**ISSUE FOR CONSTRUCTION**

CONSULTANT PROJECT # 04878  
 PRINTED FOR ISSUE FOR CONSTRUCTION  
 DATE 02/22/2023  
 DRAWN BY BIM  
 CHECKED BY DM  
 Information contained on this drawing and in all digital files produced for above named project may not be reproduced in any manner without express written or verbal consent from authorized project representatives.  
**HOOD DETAILS & SCHEDULES**  
 SHEET NUMBER

**M-301**

7/3/2023 2:42:20 PM BIM\_360/ICT\_04878\_Fairfield\_2021.6\_FSR04878\_Fairfield\_MEJ.dwg SE-04878-MH-102-HALTON HOOD SHOP DRAWINGS



**Chick-fil-A**  
 1350 E TOUHY AVE  
 FIRST FLOOR EAST  
 DES PLAINES, IL 60018  
 TEL : 847.298.6900

**Chick-fil-A**  
 5200 Buffington Road  
 Atlanta, Georgia  
 30349-2998



**CHIPMAN DESIGN ARCHITECTURE GROUP PC**  
 1350 E TOUHY AVE  
 FIRST FLOOR EAST  
 DES PLAINES, IL 60018  
 TEL : 847.298.6900

I HEREBY CERTIFY THAT THESE PLANS HAVE BEEN PREPARED UNDER MY SUPERVISION AND THAT TO THE BEST OF MY KNOWLEDGE, THEY COMPLY WITH ALL RULES, REGULATIONS AND ORDINANCES OF FAIRFIELD, CT RELATING TO STRUCTURES AND BUILDINGS.



**CHICK-FIL-A**  
 POST ROAD  
 750 POST ROAD & 42 ELLIOT ST.  
 FAIRFIELD, CT 06824

**INL# 04878**  
 BUILDING TYPE / SIZE: P13 SE  
 RELEASE: 22.05

**REVISION SCHEDULE**

| NO. | DATE      | DESCRIPTION     |
|-----|-----------|-----------------|
| 8   | 06/8/2023 | PERMIT COMMENTS |

**ISSUE FOR CONSTRUCTION**

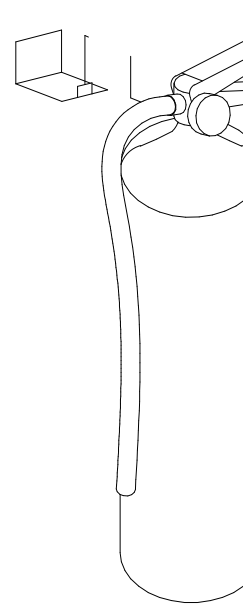
| NO. | DATE      | DESCRIPTION     |
|-----|-----------|-----------------|
| 8   | 06/8/2023 | PERMIT COMMENTS |

CONSULTANT PROJECT # 04878  
 PRINTED FOR ISSUE FOR CONSTRUCTION  
 DATE 02/22/2023  
 DRAWN BY Author  
 CHECKED BY Checker  
 Information contained on this drawing and in all digital files produced for above named project may not be reproduced in any manner without express written or verbal consent from authorized project representatives.  
 SHEET HALTON HOOD SHOP DRAWINGS  
 SHEET NUMBER

**MH-102**

| FIRE EXTINGUISHER               |           |
|---------------------------------|-----------|
| AMEREX                          |           |
| 11238 5 LBS ABC MODEL B402      | QTY _____ |
| 11239 10 LBS ABC MODEL B456     | QTY _____ |
| 11240 6 LTR CLASS K MODEL C-260 | QTY _____ |
| SUPPLIED BY HALTON              |           |

**AMEREX**



**\*\*SHOP NOTE\*\***  
 PROVIDE A QUANTITY OF TWO REMOTE PULL STATIONS FOR FIRE SYSTEM FOR HOODS H-2 & H-3. ONE PULL STATION REQUIRED FOR HOOD H-1/LR. PROVIDE A TOTAL OF THREE PULL STATIONS!!

**FUSIBLE LINK RATINGS**

- ITEM TEMP
- OPEN FRYERS 450°
- 2 BURNER / FLAT TOP 450°
- PRESSURE FRYERS 450°
- GRILL 450°
- EXHAUST COLLARS 450°

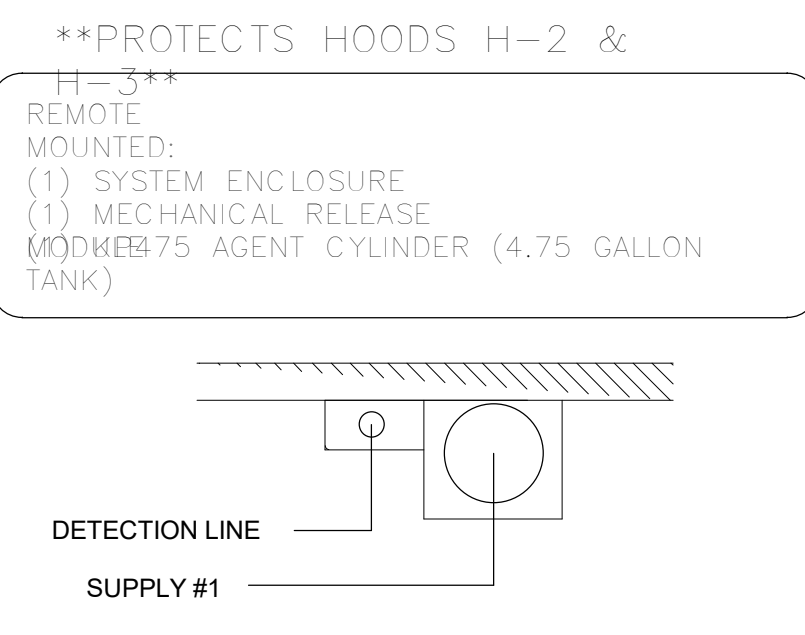
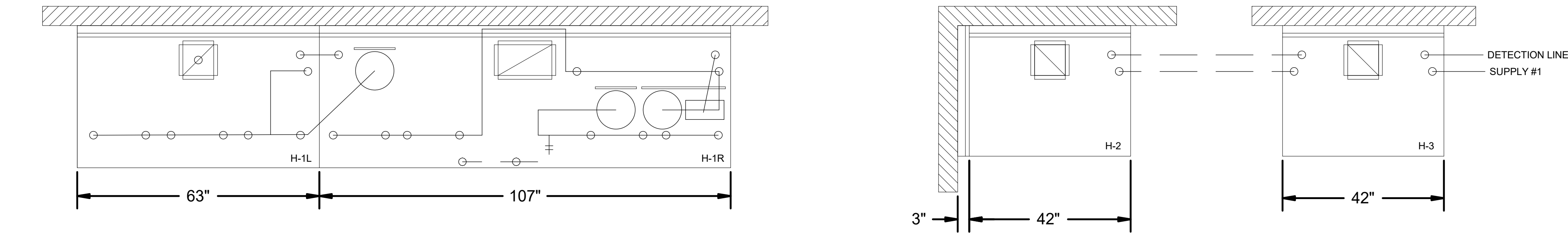
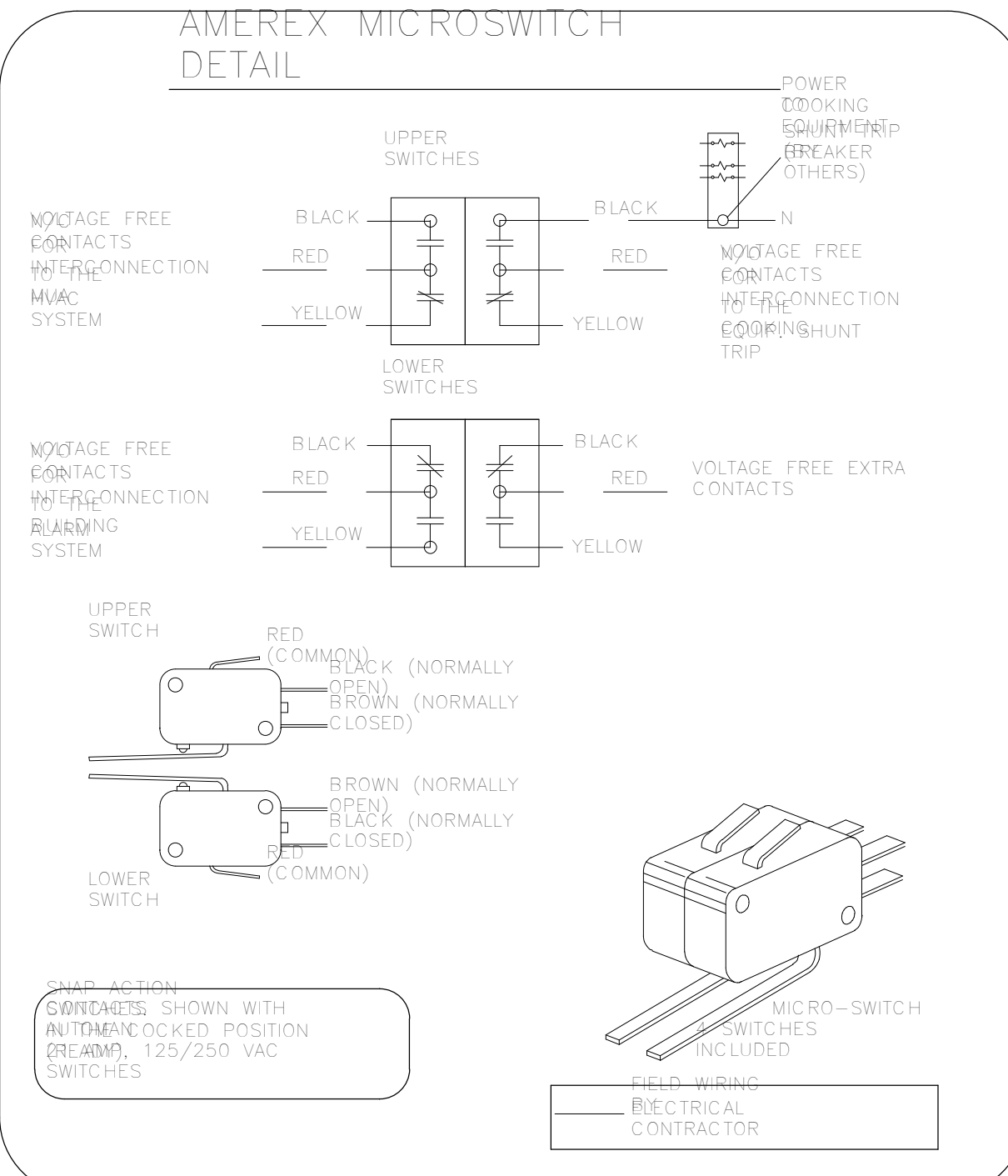
**AMEREX FIRE SYSTEM NOTES**  
 (1) KP375 & (2) KP475 TANK SYSTEM MOUNTED ON TOP OF (H-1R)  
 MAXIMUM FLOW POINTS = 39  
**AMEREX FIRE SYSTEM NOTES**  
 KP475 TANK SYSTEM REMOTE MOUNTED  
 (1) TANK  
 MAXIMUM FLOW POINTS = 14

| ITEM              | QTY | DESCRIPTION       | FLOW PTS (TOTAL) |
|-------------------|-----|-------------------|------------------|
| 16416             | 4   | DUCT NOZZLES      | 4                |
| 11982             | 4   | PLENUM NOZZLES    | 4                |
| 11982             | 8   | APPLIANCE NOZZLES | 8                |
| 14178             | 2   | APPLIANCE NOZZLES | 4                |
| 13729             | 14  | APPLIANCE NOZZLES | 28               |
| TOTAL FLOW POINTS |     |                   | 48               |

| ITEM       | QTY | DESCRIPTION   |
|------------|-----|---|
| 12508-P001 | 10  | DETECTORS BRACKET ASSEMBLY                            |
| 13334      | 1   | KP375 AGENT CYLINDER                                  |
| 17379      | 3   | KP475 AGENT CYLINDER                                  |
| 18001      | 1   | MECHANICAL RELEASE MODULE W/ DOUBLE POLE MICRO SWITCH |
| 25851      | 1   | SYSTEM ENCLOSURE W/ DOUBLE POLE MICRO SWITCH          |
| 21481      | 3   | REMOTE MANUAL PULL STATION                            |

- AMEREX FIRE SYSTEM**  
 UL LISTED PER STD LATEST STD 300
- FINAL INSTALLATION IS TO BE MADE IN ACCORDANCE WITH ALL APPLICABLE CODES
  - ALL ELECTRICAL COMPONENTS FOR EQUIPMENT SHUT DOWN TO BE PROVIDED BY THE ELECTRICIAN. MICRO-SWITCH INSTALLED IN REGULATED RELEASE BY AMEREX INSTALLER
  - REMOTE PULL STATION LOCATED PER MECHANICAL DRAWINGS

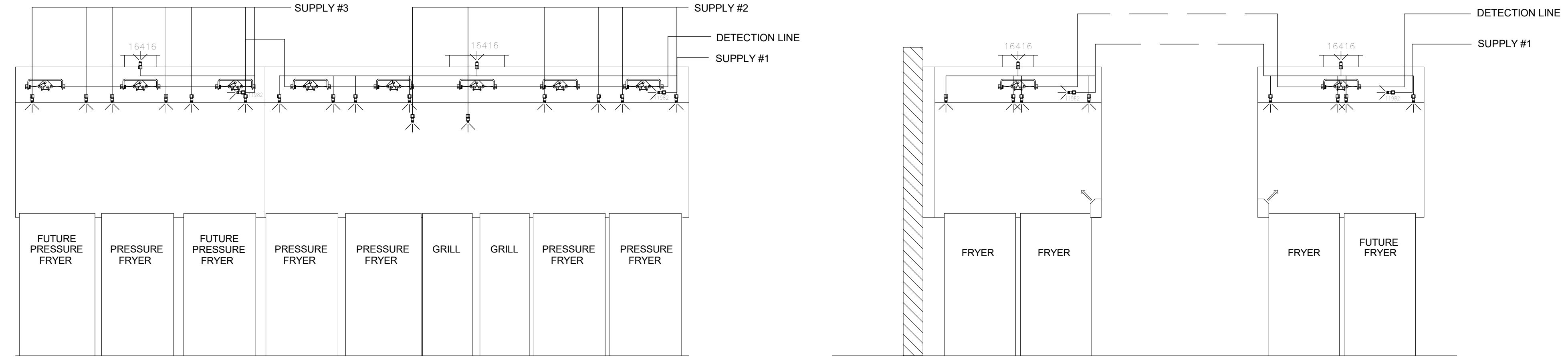
**1/2" BLACK IRON SUPPLY LINE REQ'D FROM TANK TO FIRST BRANCH LINE FOR 475 TANKS ONLY!**



**AMEREX FIRE SYSTEM**  
 A) (1) KP375 TANK - 11 FLOW POINTS (2) KP475 TANKS - 14 FLOW POINTS (MOUNTED ON HOOD H-1R) (FOR HOODS H-1L & H-1R)  
 B) 1/2" & 3/8" BLACK IRON PIPING W/ 3/8" S.S. APPLIANCE DROPS  
 (1) MECHANICAL RELEASE MODULE  
 (2) EXTRA MICRO SWITCH ASSEMBLIES (MOUNTED IN MECHANICAL REL. MODULE)  
 (1) 3.75 GALLON TANK  
 (2) 4.75 GALLON TANKS

| NOZZLE                             | QTY         | DESCRIPTION         |
|------------------------------------|-------------|---------------------|
| 16416                              | 1 EA.       | DUCT NOZZLES        |
| 11982                              | 1 PER 10'   | PLENUM NOZZLES      |
| 11982                              | 2 PER FRYER | ALL OPEN FRYERS     |
| 13729                              | 2 PER FRYER | ALL PRESSURE FRYERS |
| 14178                              | 1 PER GRILL | ALL GRILLS          |
| ALL APPLIANCE NOZZLES WITH SWIVELS |             |                     |

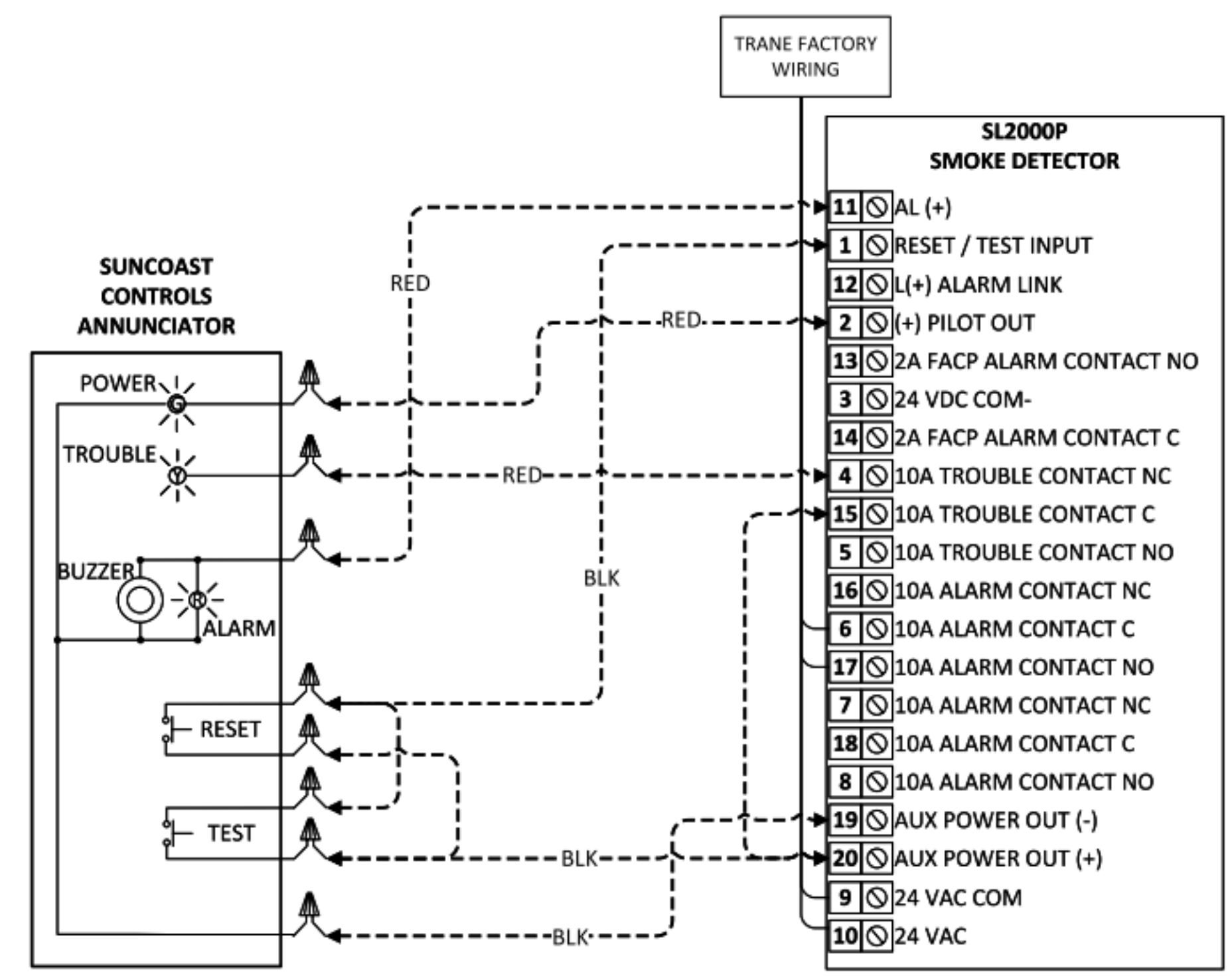
**AMEREX FIRE SYSTEM**  
 A) (1) KP475 TANKS - 14 FLOW POINTS (REMOTE MOUNTED) (FOR HOOD H-2 & H-3)  
 B) 3/8" BLACK IRON PIPING W/ 3/8" S.S. APPLIANCE DROPS  
 (1) SYSTEM ENCLOSURE  
 (1) MECHANICAL RELEASE MODULE  
 (2) EXTRA MICRO SWITCH ASSEMBLIES (MOUNTED IN MECHANICAL REL. MODULE)  
 (1) KP475 AGENT CYLINDERS (4.75 GALLON TANK)



**AMEREX FIRE SYSTEM LAYOUT**



1 TRANE FRESH AIR TEMPERING WIRE DIAGRAM  
NO SCALE



**Dehumidification Sequence of Operation:**  
**Single Compressor Units:**  
 On a call for dehumidification, the reheat valve is energized and the compressor is turned on. When the humidity control setpoint is satisfied, the valve is de-energized and the compressor is turned off. If there is a call for cooling or heating from the space temperature controller, i.e. zone sensor or thermostat, while in reheat, the reheat valve is de-energized and the compressor continues to run, or the heat is turned on. The three-minute compressor on and off times are still active during compressor operation.  
**Dual Compressor Units:**  
 On a call for dehumidification, the reheat valve is energized and both compressors are turned on. When the humidity control setpoint is satisfied, the valve is de-energized and both compressors are turned off. If there is a call for 1st stage cooling from the zone sensor or thermostat while in the dehumidification mode, no action takes place. If there is a call for heating or 2nd stage cooling, the reheat valve is de-energized, and the unit reverts to the cooling or heating mode. If 2nd stage cooling is satisfied and there is still a call for dehumidification, the reheat valve will once again be energized, and the second compressor will again be started. The three-minute compressor on and off times are still active during compressor operation. If both compressors are running, and there is a call for dehumidification, the dehumidification call is ignored and unit stays in the cooling mode. For reliability reasons, a purge time function was added to ensure that adequate oil is being returned to the compressor. During normal cooling mode or during dehumidification mode, if the unit stays in a mode for 90 continuous minutes without switching to the other mode, a three minutes purge time will initiate. If the unit has been in cooling mode for 90 minutes, the purge sequence will switch to the dehumidification.

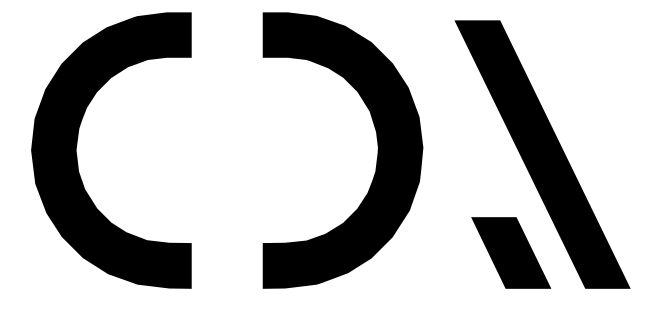


VICTOR.NOEL@TRANE.COM 2/1/2022



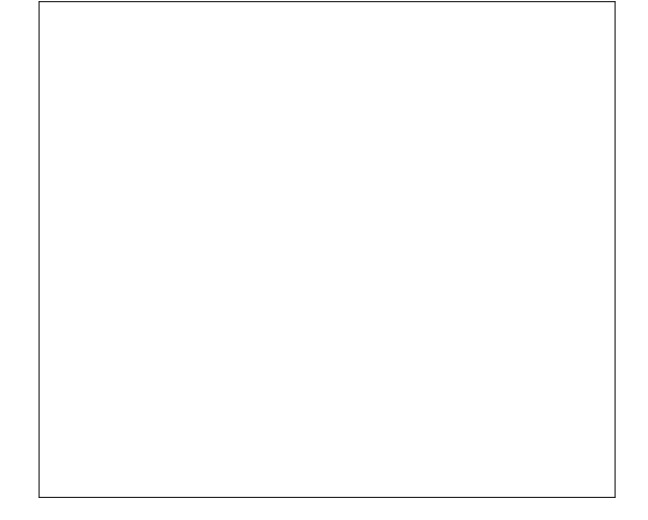
Chick-fil-A

Chick-fil-A  
5200 Buffington Road  
Atlanta, Georgia  
30349-2998



CHIPMAN DESIGN  
ARCHITECTURE GROUP PC  
1350 E TOUHY AVE  
FIRST FLOOR EAST  
DES PLAINES, IL 60018  
TEL: 847.298.6900

I HEREBY CERTIFY THAT THESE PLANS HAVE BEEN PREPARED UNDER MY SUPERVISION AND THAT TO THE BEST OF MY KNOWLEDGE, THEY COMPLY WITH ALL RULES, REGULATIONS AND ORDINANCES OF FAIRFIELD, CT RELATING TO STRUCTURES AND BUILDINGS.



**CHICK-FIL-A**  
POST ROAD  
750 POST ROAD & 42 ELLIOT ST.  
FAIRFIELD, CT 06824

**INL# 04878**  
BUILDING TYPE / SIZE: P13 SE  
RELEASE: 22.05

| REVISION SCHEDULE |            |                        |
|-------------------|------------|------------------------|
| NO.               | DATE       | DESCRIPTION            |
| 1                 | 09/30/2022 | ISSUE FOR PERMIT       |
| 3                 | 01/27/2023 | ISSUE FOR BID          |
| 4                 | 02/22/2023 | ISSUE FOR CONSTRUCTION |

ISSUE FOR CONSTRUCTION

CONSULTANT PROJECT # 04878  
 PRINTED FOR ISSUE FOR CONSTRUCTION  
 DATE 02/22/2023  
 DRAWN BY Author  
 CHECKED BY Checker  
 Information contained on this drawing and in all digital files produced for above named project may not be reproduced in any manner without express written or verbal consent from authorized project representatives.  
 SHEET HVAC CONTROLS  
 SHEET NUMBER

M-702

# 1. SECTION C15000 - MECHANICAL SPECIFICATIONS

## PART I - GENERAL

### 1.01 SCOPE

- A. IT IS THE RESPONSIBILITY OF CONTRACTOR TO READ ALL SPECIFICATIONS AND CONSULT ALL DRAWINGS WHICH MAY AFFECT THE INSTALLATION AND COORDINATION OF HIS WORK WITH OTHER TRADES. CONTRACTOR SHALL COORDINATE AND MAKE MINOR ADJUSTMENTS IN LOCATION OF EQUIPMENT AND MATERIALS AS NECESSARY TO SECURE COORDINATION.
- B. COMPLETED INSTALLATION SHALL CONFORM TO ALL APPLICABLE FEDERAL, STATE AND LOCAL CODES AND ORDINANCES, INCLUDING BUT NOT LIMITED TO THE LATEST APPROVED EDITIONS OF NFPA-96, NFPA-90A, NFPA-54, SMACNA, ASHRAE 90.1 AND ASHRAE 62.
- C. SYSTEM LAYOUT IS SCHEMATIC AND EXACT LOCATIONS SHALL BE DETERMINED BY STRUCTURAL CONDITIONS, COORDINATION WITH OTHER TRADES, COORDINATION WITH FINISHES AND OTHER CONDITIONS. STRUCTURAL SUPPORTS SHALL NOT BE CUT OR ALTERED TO ASSURE FIT OF HVAC SYSTEM. TEN FOOT CLEARANCE SHALL BE MAINTAINED BETWEEN OUTSIDE AIR INTAKES AND EXHAUST FANS AND PLUMBING VENT TERMINALS.
- D. CONTRACTOR SHALL BE RESPONSIBLE FOR ALL DEFECTS, REPAIRS AND REPLACEMENTS IN MATERIALS AND WORKMANSHIP FOR A PERIOD OF ONE (1) YEAR AFTER FINAL PAYMENT IS APPROVED. CONTRACTOR SHALL HONOR FACTORY WARRANTIES ON ALL EQUIPMENT PROVIDED AS PART OF THIS SYSTEM.
- E. UPON COMPLETION OF PROJECT, ALL SYSTEM EQUIPMENT AND MATERIALS SHALL BE IN NEW, CLEAN CONDITION WITH ALL DAMAGE RESTORED TO CONDITION ACCEPTABLE TO THE OWNERS REPRESENTATIVE. ALL EQUIPMENT, COMPONENTS, DUCTWORK AND AIR DEVICES SHALL BE INSPECTED AND THOROUGHLY CLEANED, CLEARED OF DEBRIS, AND READY FOR USE. AT COMPLETION OF JOB, ALL MISCELLANEOUS TOOLS, SCAFFOLDING, SURPLUS MATERIALS, RUBBISH AND DEBRIS SHALL BE REMOVED BY CONTRACTOR.
- F. CONTRACTOR SHALL PROVIDE TWO SETS OF 2" MERV 8 OR HIGHER THROW AWAY TYPE FILTERS. A CLEAN SET SHALL BE PROVIDED PRIOR TO TEST AND BALANCE AND AGAIN PRIOR TO OPENING.

## PART II - PRODUCTS

### 2.01 HEATING AND COOLING EQUIPMENT (C15730)

- A. FURNISH AND INSTALL R-410A ROOFTOP SINGLE PACKAGE COMBINATION ELECTRIC COOLING AND NATURAL GAS FIRED HEATING UNITS BY TRANE AS SHOWN ON DRAWINGS. EQUIPMENT SHALL BE ARI CERTIFIED AND A.G.A. AND U.L. LISTED.
- B. ACCESSORIES SHALL INCLUDE LOW AND HIGH PRESSURE SAFETIES, CRANK CASE HEATER, OVERCURRENT AND OVERTEMPERATURE SAFETY, COMPRESSOR VIBRATION ISOLATORS, FILTER DRIERS, REFRIGERANT SERVICE VALVES, COIL HAIL GUARDS WHERE SCHEDULED, CONVENIENCE OUTLETS FACTORY INSTALLED ON SCHEDULED UNITS, UNIT MOUNTED NON-FUSED DISCONNECTS, LOW AMBIENT OPERATION DOWN TO 30 DEGREES F AND EVAPORATOR FREEZE STAT.
- C. COMPRESSORS SHALL BE FULLY HERMETIC SCROLL TYPE WITH INTERNAL VIBRATION ISOLATORS. COMPRESSORS SHALL BE PROVIDED WITH A MINIMUM FIVE (5) YEAR FULL WARRANTY.
- D. THE UNIT HEAT EXCHANGERS SHALL BE STEEL WITH ALUMINIZED STEEL COATING. HEATING CONTROLS SHALL CONSIST OF REDUNDANT GAS VALVES, INTERMITTENT PILOT WITH ELECTRONIC SPARK OR HOT PLATE IGNITION SYSTEM, COMBUSTION/EXHAUST FAN PROTECTED BY CENTRIFUGAL SWITCHES, HEAT LIMIT SWITCHES, TIME-DELAY RELAY, FLAME, AND PILOT SENSORS. ALL UNITS SHALL BE CAPABLE OF TWO STAGES OF HEAT. HEAT EXCHANGES SHALL HAVE A TEN (10) YEAR WARRANTY. BURNERS SHALL BE ALUMINIZED IN-SHOT TYPE. THE DRAFT MOTOR SHALL BE MONITORED BY THE CONTROL SYSTEM.
- E. TENANT MAINTAINS ACCOUNT FOR EQUIPMENT WITH TRANE CORPORATION. PRICING FOR THE EQUIPMENT HAS BEEN ESTABLISHED IN ADVANCE. CONTACT TRANE ACCOUNTS AT 630-400-4285 FOR PRICING, ORDERING AND AVAILABILITY.

### 2.02 DUCTWORK (C15735) (SEE DWG M-301 FOR ADDITIONAL GREASE DUCT SYSTEM REQ.)

- A. ACCEPTABLE MANUFACTURERS OF INSULATION ARE MANVILLE, OWENS CORNING OR KNAUF.
- B. ALL DUCTWORK SHALL BE SHEET METAL, UNLESS NOTED OTHERWISE (U.N.O.).
- C. DUCT DIMENSIONS SHOWN ARE INSIDE CLEAR DIMENSIONS, U.N.O.
- D. CONSTRUCTION OF DUCTWORK SHALL MEET SMACNA 1" W.C. PRESSURE CLASS STANDARD AND RECOMMENDATIONS. SMACNA SHALL BE FOLLOWED WITH RESPECT TO GAGE THICKNESS, JOINTS, REINFORCING, CONSTRUCTION, INSTALLATION AND SUPPORT FOR PRESSURE CLASS STATED. ALL TRANSVERSE JOINTS IN RECTANGULAR AND ROUND DUCT INCLUDING DUCT CONNECTION TO AIR DEVICE COLLAR SHALL BE SEALED PER SMACNA SEAL CLASS C WITH U.L. DUCT MASTIC SEALANT APPROVED FOR INTENDED USE. DUCT TAPE IS NOT AN ACCEPTABLE SUBSTITUTE FOR MASTIC UNLESS EQUAL TO HARDCAST FOIL-GRIP 1402 BUTYL RUBBER ADHESIVE TAPE.
- E. DUCT SHALL BE SUPPORTED AT BASE OF DUCT DROPS. CURB DUCT RAILS ARE NOT INTENDED TO AND SHALL NOT SUPPORT THE WEIGHT OF THE DUCT.
- F. ALL DUCT INSULATION SHALL MEET MINIMUM R-VALUE REQUIRED BY ASHRAE 90.1 LATEST EDITION. ALL DUCT WRAP SHALL BE MINIMUM 2" THICK, 3/4 PCF AND 6 R-VALUE INSTALLED WITH EITHER A VAPOR BARRIER WITH MAXIMUM PERMEANCE 0.05 OR A MINIMUM 2 MIL ALUMINUM REINFORCED FOIL/KRAFT FACING.
- G. ALL DUCT DROPS FROM THE ROOFTOP UNITS SHALL BE EXTERNALLY INSULATED.
- H. SUPPLY AND RETURN AIR DUCTWORK SERVING ALL AREAS SHALL BE EXTERNALLY INSULATED.
- I. ALL AIR CONVEYANCE COMPONENTS SUCH AS, BUT NOT LIMITED TO DUCT, DUCT PLENUMS, GRILLES/DIFFUSERS, BACK PANS, AND BOOTS SHALL BE INSULATED. INSULATION TYPE IS COVERED ELSEWHERE IN THIS SPECIFICATION.
- J. RESTROOM RECTANGULAR EXHAUST AIR DUCTWORK SHALL BE LINED WITH 1" THICK, 1-1/2 PCF INSULATION. RESTROOM ROUND EXHAUST DUCT SHALL BE EXTERNALLY INSULATED PER SECTION 2.02F.
- K. TRUNK DUCTS SHALL BE ISOLATED FROM UNIT VIBRATION WITH THE USE OF NFPA AND U.L. APPROVED FLEXIBLE CONNECTORS INSTALLED AT THE TOP OF BOTH SUPPLY AND RETURN DROPS.
- L. INSULATED FLEXIBLE DUCT MAY BE UTILIZED FOR RUNOUTS TO GRILLES AND DIFFUSERS ONLY IN THE HORIZONTAL POSITION AND IN MAXIMUM LENGTHS OF 4'-0", NO EXCEPTIONS. SEE TAKE-OFF DETAIL ON DRAWING M-401.
- M. CONSTRUCTION OF FLEXIBLE DUCTWORK SHALL INCLUDE SPIRAL METAL HELIX BONDED TO A POLYESTER CORE, FIBERGLASS INSULATION WITH POLYETHYLENE OR MYLAR VAPOR BARRIER. ALL COMPONENTS SHALL HAVE APPROPRIATE U.L. APPROVAL AND SHALL BE EQUIVALENT TO THERMAFLEX MKE.
- N. FLEXIBLE DUCT SHALL BE INSTALLED PER THE "ADC FLEXIBLE DUCT PERFORMANCE AND INSTALLATION STANDARDS, 4TH ED" USING FOIL TAPE AND DRAWBAND ON THE INNER CORE AND TAPE OR DRAWBAND ON THE OUTER JACKET.
- O. DUCT TAPE SHALL BE EQUAL TO FASSON 181-B FX, 2-1/2" WIDE.
- P. SINGLE THICKNESS TURNING VANES SHALL BE INSTALLED AT 90 DEGREE TURNS IN SUPPLY DUCTWORK WHERE ANY ONE DIMENSION IS GREATER THAN 12".
- Q. RADIUSSED ELBOWS MAY BE SUBSTITUTED FOR 90 DEGREE ELBOWS AT THE DISCRETION OF THE CONTRACTOR. CENTERLINE RADIUS EQUAL TO: R=W PER FIGURE NO. 4-2 IN SMACNA HVAC DUCT CONSTRUCTION STANDARDS.
- R. EXTERNAL INSULATION ON BOTTOM OF DUCTS 24" OR WIDER SHALL BE SUPPORTED WITH STICK PINS ON 18" CENTERS. STICK PIN WASHERS SHALL BE COVERED WITH DUCT TAPE OR MASTIC.

### 2.03 CONTROLS (C15735)

- A. SYSTEMS SHALL BE COMPLETE WITH CONNECTIONS TO TENANT-500 TEMPERATURE CONTROL PANEL AS MANUFACTURED BY SUNCOAST ENVIRONMENTAL CONTROLS (S.E.C.) (PH: 877-544-6679). THE PANEL IS PROVIDED AND MOUNTED BY THE ELECTRICAL CONTRACTOR. CONTROL WIRING TERMINATIONS ARE BY THE MECHANICAL CONTRACTOR.
- B. THE SMOKE DETECTORS SHALL BE FACTORY INSTALLED AND WIRED BY THE ROOFTOP UNIT MANUFACTURER.
- C. A FACTORY INSTALLED SMOKE DETECTOR IN THE RETURN AIR SECTION OF EACH AIR CONDITIONING UNIT SHALL STOP THE INDOOR FAN AND CLOSE THE OUTSIDE AIR DAMPER IN THE EVENT OF EXCESSIVE TEMPERATURE OR SMOKE. SMOKE DETECTOR SHALL BE LOCATED PRIOR TO ANY EXHAUST FROM THE BUILDING OR MIXING WITH FRESH AIR MAKE-UP. UPON DETECTION, THE SYSTEM SHALL NOT RESTART UNTIL THE DEVICE IS MANUALLY RESET. DEVICES SHALL BE LOCATED WHERE THEY CAN BE EASILY ACCESSED AND WHERE CLEAR OF FILTERS.
- D. CHICK-FIL-A HAS A NATIONAL ACCOUNT WITH SUNCOAST ENVIRONMENTAL CONTROLS FOR THE SMOKE DETECTOR TEST/RESET ANNUNCIATOR STATIONS. THE TEST/RESET STATIONS WILL BE PURCHASED BY THE ELECTRICAL CONTRACTOR AS A PART OF AN ACCOUNT PACKAGE AND TURNED OVER TO THE MECHANICAL CONTRACTOR FOR INSTALLATION.
- E. THE REMOTE TEST/RESET ANNUNCIATORS SHALL BE PROVIDED BY THE ELECTRICAL CONTRACTOR AND INSTALLED BY THE MECHANICAL CONTRACTOR. INSTALLATION BY MECHANICAL SHALL INCLUDE MOUNTING OF THE ANNUNCIATORS AND ALL WIRING FROM EACH DEVICE TO THE RTU. ELECTRICAL WILL PROVIDE A JUNCTION BOX IN THE WALL WITH 1/2" CONDUIT STUBBED UP ABOVE THE CEILING FOR EACH REMOTE TEST STATION AS SHOWN ON THE ELECTRICAL PLANS. ANNUNCIATOR SHALL BE SUNCOAST CONTROLS REMOTE TEST/RESET STATION WITH POWER LED, TROUBLE LED, ALARM LED, 90DB HORN AND TEST/RESET BUTTON.
- F. THE RESTROOM FAN SHALL BE INTERLOCKED TO THE LIGHTS SERVING THE MEN AND WOMEN'S RESTROOMS. THE HOOD FANS SHALL BE CONTROLLED VIA THE SUNCOAST TENANT-500 CONTROL PANEL. WIRING, RELAYS AND SWITCHES FOR CONTROL OF ALL FANS ARE BY ELECTRICAL CONTRACTOR.
- G. TRANE UNITS - THERMOSTATS ARE PROVIDED AND INTEGRATED INTO THE TEMPERATURE CONTROL PANEL BY SUNCOAST ENVIRONMENTAL CONTROLS. SUNCOAST WILL PROVIDE A NETWORK THERMOSTAT US32-TENANT THERMOSTAT PRE-WIRED IN THE TEMPERATURE CONTROL PANEL. A REMOTE TEMPERATURE SENSOR FOR EACH THERMOSTAT IS ALSO PROVIDED. MECHANICAL CONTRACTOR SHALL INSTALL ALL WIRING BETWEEN THE THERMOSTAT, THE REMOTE SENSOR AND THE ROOFTOP UNIT.
- H. MECHANICAL CONTRACTOR SHALL INSTALL CONTROL WIRING IN 1/2" CONDUIT WHERE REQUIRED BY CODE. WHERE NOT REQUIRED TO BE IN CONDUIT, ALL WIRING SHALL BE RUN PARALLEL TO STRUCTURAL MEMBERS OR PERPENDICULAR WITH NO DIAGONAL ROUTING. ALL WIRING SHALL BE SECURED TO THE FRAMING TO PREVENT SAGGING IN RUNS. WIRING TO ROOFTOP UNITS SHALL BE ROUTED THROUGH THE FACTORY THRU-BASE FITTING IN THE UNIT BASE. NO SPLICING OF WIRING WILL BE ACCEPTED. ALL WIRING ABOVE THE ROOF SHALL BE INSTALLED IN EXTERIOR GRADE FLEXIBLE CONDUIT. ALL CONTROL WIRING AND CONTROL WIRING CONDUIT SHALL BE FURNISHED AND INSTALLED BY THE MECHANICAL CONTRACTOR. WIRING SHALL BE INSTALLED IN ACCORDANCE WITH LATEST EDITION OF NEC. ALL LOW VOLTAGE CONTROL WIRING SHALL BE NO LESS THAN 18 AWG MIN. CONTROL WIRING CONDUCTORS SHALL BE SIZED TO ACCOUNT FOR LOAD AND LENGTH OF RUN TO ALLOW SUFFICIENT VOLTAGE AVAILABLE AT CONTROLLED DEVICE TO OPERATE THE SYSTEM RELIABLY.

## PART III - EXECUTION

### 3.01 SCOPE

- A. FURNISH AND INSTALL SYSTEM IN ACCORDANCE WITH REFERENCED STANDARDS, APPLICABLE CODES, MANUFACTURER'S RECOMMENDATIONS AND AS INDICATED ON DRAWINGS.
- B. CONTRACTOR SHALL INSTRUCT THE OWNER'S REPRESENTATIVE IN ALL MATTERS PERTAINING TO THE PROPER MAINTENANCE OF EQUIPMENT FURNISHED UNDER THIS CONTRACT THROUGH DEMONSTRATION AND EXPLANATION OF OPERATING & MAINTENANCE MANUALS.
- C. CONTRACTOR SHALL PROVIDE A "SAMPLE MAINTENANCE PROPOSAL" TO THE OWNER'S REPRESENTATIVE IN ALL MATTERS PERTAINING TO THE PROPER MAINTENANCE OF EQUIPMENT FURNISHED UNDER THIS CONTRACT.
- D. CONTRACTOR SHALL COMPLETE A/C EQUIPMENT STARTUP DOCUMENTATION PROVIDED BY OWNER AND/OR MANUFACTURER. THIS SHALL INCLUDE RETORQUE OF ALL FIELD AND FACTORY HIGH VOLTAGE CONNECTIONS.

### 3.02 LEED PROJECTS

- A. CONTRACTOR SHALL COMPLETE RECEIPT INSPECTION CHECKLISTS PROVIDED IN THE COMMISSIONING PLAN WITHIN 5 DAYS OF RECEIVING EQUIPMENT ON SITE.
- B. CONTRACTOR SHALL COMPLETE PRE-FUNCTIONAL CHECKLISTS PROVIDED IN THE COMMISSIONING PLAN. CHECKLISTS SHALL BE RETURNED AT LEAST 5 DAYS PRIOR TO SCHEDULING FUNCTIONAL PERFORMANCE TESTING.
- C. CONTRACTOR SHALL PROVIDE A TECHNICIAN TO ASSIST THE THIRD PARTY COMMISSIONING AUTHORITY WITH FUNCTIONAL TESTING. FUNCTIONAL TESTING SHALL OCCUR AFTER ALL CONTROLS HAVE BEEN INSTALLED AND VERIFIED AND AFTER TEST AND BALANCE IS COMPLETE. THE FUNCTIONAL PERFORMANCE TEST PROCEDURES CAN BE FOUND IN THE COMMISSIONING PLAN.
- D. IF THE TOTAL TIME REQUIRED TO CORRECT PROBLEMS DURING TESTING IS GREATER THAN FORTY-FIVE (45) MINUTES (UNLESS EXTENUATING CIRCUMSTANCES EXIST), THE TEST SHALL BE CONSIDERED FAILED AND MUST BE REPEATED IN ITS ENTIRETY.
- E. RE-TESTING: DURING THE COURSE OF THE RETEST, IF AT ANY POINT A MAJOR DEFICIENCY IS DISCOVERED, THE TEST WILL BE STOPPED. REPEAT TESTS UNTIL ACCEPTABLE RESULTS ARE ACHIEVED. IF MORE THAN TWO FUNCTIONAL PERFORMANCE TESTS (ONE INITIAL TEST AND ONE RETEST) FOR ANY TYPE OF EQUIPMENT DUE TO ISSUES THAT THE CONTRACTOR HAD DIRECT OR INDIRECT CONTROL OVER ARE REQUIRED, THE COSTS FOR THE CXA TO WITNESS RETESTING OF SIMILAR TYPES OF EQUIPMENT UNTIL SATISFACTORY RESULTS ARE OBTAINED SHALL BE THE RESPONSIBILITY OF THE CONTRACTOR.

### 3.03 TEST & BALANCE

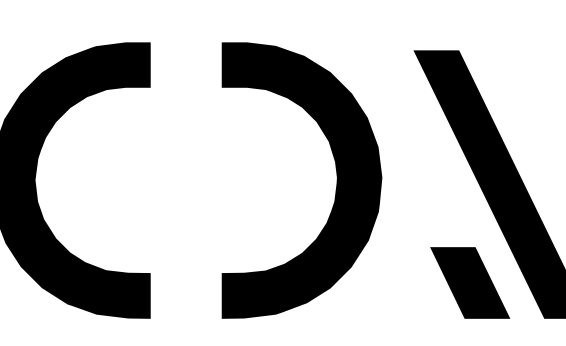
- A. OWNER SHALL TEST AND BALANCE MECHANICAL SYSTEM IN ACCORDANCE WITH NEBB, NBC OR AABC STANDARDS TO ASSURE CONFORMANCE WITH DESIGN. G.C. WILL MAKE MECHANICAL CONTRACTOR AVAILABLE DURING TEST AND BALANCE TO ASSIST TESTING AGENCY AND TO MAKE CORRECTIONS IMMEDIATELY NECESSARY. CONTRACTOR SHALL CORRECT ITEMS ON WRITTEN TEST AND BALANCE REPORT.
- B. ALL EQUIPMENT TO BE BALANCED MUST HAVE GONE THRU SUCCESSFUL START-UP PROCEDURE BY THE MECHANICAL CONTRACTOR (MC) PRIOR TO TAB VISIT.
- C. THE FLOOR OF THE RESTAURANT SHALL BE CLEARED OF DEBRIS, STAGED CONSTRUCTION MATERIALS, EQUIPMENT, ETC. WHICH MAY, IN THE OPINION OF THE TAB TECHNICIAN, OBSTRUCT ACCESS TO AIR DISTRIBUTION COMPONENTS IN AND ABOVE THE CEILING.
- D. EQUIPMENT ACCESS PANELS, DUCT AIR DEVICES SUCH AS BALANCING DAMPERS AND ACTUATORS SHALL BE ACCESSIBLE AND CLEAR OF PIPING, CONDUIT, FRAMING, SUPPORTS ETC..
- E. PROVIDE AN 8 FT PORTABLE A-FRAME STYLE LADDER DEDICATED FOR THE TAB TECHNICIAN'S USE DURING THE ENTIRE TAB EFFORT DURATION.
- F. THE MC SHALL BE AVAILABLE DURING THE ENTIRE DURATION OF THE TAB EFFORT AND HAVE ON-SITE THE RESOURCES AND TOOLS TO MAKE CORRECTIONS AS NEEDED UNDER THE DIRECTION OF THE TAB TECHNICIAN.

## ACCOUNTS

1. TRANE EQUIPMENT - CONTACT TRANE ACCOUNTS AT 866-986-4822 FOR PRICING, ORDERING AND AVAILABILITY OR BY EMAIL TENANT@TRANE.COM. TRANE EQUIPMENT NOT PURCHASED THRU TRANE ACCOUNTS WILL NOT BE ACCEPTED.
2. LOREN COOK FAN AND CURB PACKAGE - THE MECHANICAL CONTRACTOR IS REQUIRED TO PURCHASE THE FAN/CURB PACKAGE DIRECTLY FROM TOM BARRROW COMPANY. CONTACT MR. SCOTT GEORGE AT 404-351-1010 FOR PRICING AND AVAILABILITY. FANS AND CURBS NOT PURCHASED THRU TOM BARRROW COMPANY WILL NOT BE ACCEPTED.
3. PRICE AIR DEVICES - THE MECHANICAL CONTRACTOR IS REQUIRED TO PURCHASE THE AIR DEVICES DIRECTLY FROM TOM BARRROW COMPANY. CONTACT MR. SCOTT GEORGE AT 404-351-1010 FOR PRICING AND AVAILABILITY. AIR DEVICES NOT PURCHASED THRU TOM BARRROW COMPANY WILL NOT BE ACCEPTED.
4. AIR DOORS - THE MECHANICAL CONTRACTOR IS REQUIRED TO PURCHASE THE AIR DOORS DIRECTLY FROM TOM BARRROW COMPANY. CONTACT MR. SCOTT GEORGE AT 404-351-1010 FOR PRICING AND AVAILABILITY. AIR DOORS NOT PURCHASED THRU TOM BARRROW COMPANY WILL NOT BE ACCEPTED.
5. SUNCOAST ENVIRONMENTAL CONTROLS - THE TENANT 500 PANEL AND THE TEST/RESET STATIONS WILL BE PURCHASED AND PROVIDED BY THE ELECTRICAL CONTRACTOR AS A PART OF AN ACCOUNT PACKAGE. SEE PART II PARAGRAPH 3A, 3D, AND 3E OF THE MECHANICAL SPECIFICATIONS FOR MORE INFORMATION.
6. HALTON HOODS - CHICK-FIL-A WILL PURCHASE AND PROVIDE THE HOODS FOR INSTALLATION BY THE MECHANICAL CONTRACTOR. THE MECHANICAL CONTRACTOR SHALL BE RESPONSIBLE FOR RECEIVING THE HOODS. CONTACT HALTON CO. AT 270-237-5600 FOR MORE INFO.
7. ROYAL METAL PRODUCTS START COLLARS - THE MECHANICAL CONTRACTOR IS REQUIRED TO PURCHASE THE START COLLARS DIRECTLY FROM TOM BARRROW COMPANY. CONTACT MR. SCOTT GEORGE AT 404-351-1010 FOR PRICING AND AVAILABILITY. START COLLARS NOT PURCHASED THRU TOM BARRROW COMPANY WILL NOT BE ACCEPTED.
8. SCHWANK INFRARED HEATER PACKAGE - THE MECHANICAL CONTRACTOR IS REQUIRED TO PURCHASE THE HEATER PACKAGE DIRECTLY FROM TOM BARRROW COMPANY. CONTACT MR. SCOTT GEORGE AT 404-351-1010 FOR PRICING AND AVAILABILITY. HEATERS NOT PURCHASED THRU TOM BARRROW COMPANY WILL NOT BE ACCEPTED.
9. BROMIC ELECTRIC HEATER - THE MECHANICAL CONTRACTOR IS REQUIRED TO PURCHASE THE HEATER DIRECTLY FROM BROMIC COMPANY. CONTACT MR. FRANK SARVER AT 858-400-4063 FOR PRICING AND AVAILABILITY. HEATERS NOT PURCHASED THRU BROMIC COMPANY WILL NOT BE ACCEPTED.
10. TRANE EQUIPMENT - CONTACT TRANE ACCOUNTS AT 630-400-4285 FOR PRICING, ORDERING AND AVAILABILITY. TRANE EQUIPMENT NOT PURCHASED THRU TRANE ACCOUNTS WILL NOT BE ACCEPTED.

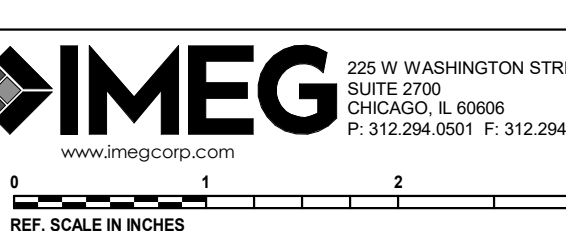


**Chick-fil-A**  
 5200 Buffington Road  
 Atlanta, Georgia  
 30349-2998



**CHIPMAN DESIGN**  
 ARCHITECTURE GROUP PC  
 1350 E TOUHY AVE  
 FIRST FLOOR EAST  
 DES PLAINES, IL 60018  
 TEL : 847.298.6900

I HEREBY CERTIFY THAT THESE PLANS HAVE BEEN PREPARED UNDER MY SUPERVISION AND THAT TO THE BEST OF MY KNOWLEDGE, THE SAME COMPLY WITH ALL RULES, REGULATIONS AND ORDINANCES OF FAIRFIELD, CT RELATING TO STRUCTURES AND BUILDINGS.



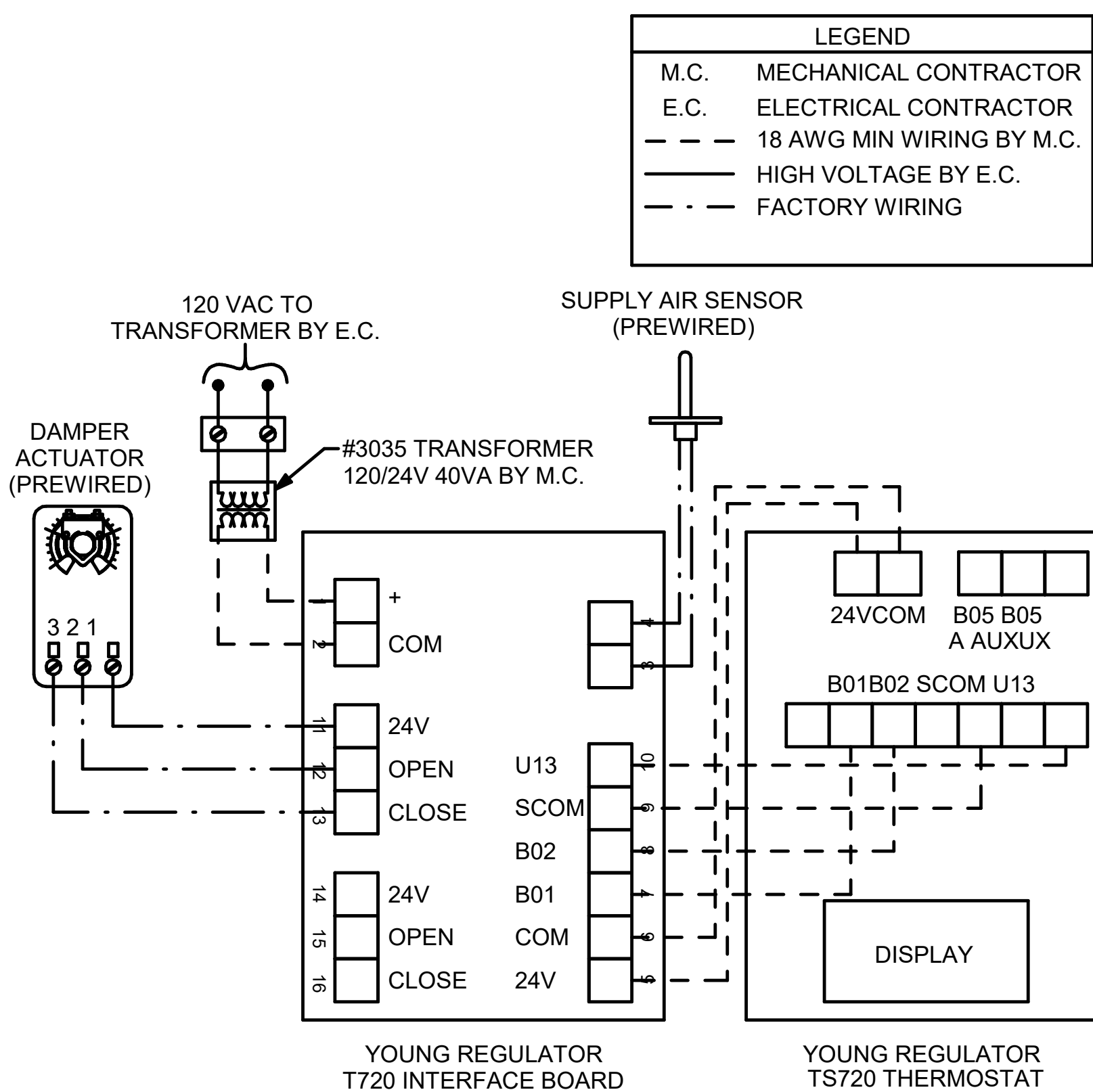
**CHICK-FIL-A**  
 POST ROAD  
 750 POST ROAD & 42 ELLIOT ST.  
 FAIRFIELD, CT 06824

**INL# 04878**  
 BUILDING TYPE / SIZE: P13 SE  
 RELEASE: 22.05

| NO. | DATE       | DESCRIPTION                               |
|-----|------------|---|
| 1   | 09/30/2022 | ISSUE FOR PERMIT                          |
| 3   | 01/27/2023 | ISSUE FOR BID                             |
| 4   | 02/22/2023 | ISSUE FOR CONSTRUCTION                    |
| 5   | 05/01/2023 | IFC REVISION 3 - ILLD COORD. CALL UPDATES |

CONSULTANT PROJECT # 04878  
 PRINTED FOR ISSUE FOR CONSTRUCTION  
 DATE 02/22/2023  
 DRAWN BY BIM  
 CHECKED BY DM  
 Information contained on this drawing and in all digital products for above named project may not be reproduced in any manner without express written or verbal consent from authorized project representatives.  
 SHEET MECHANICAL SPECIFICATIONS  
 SHEET NUMBER

**M-901**

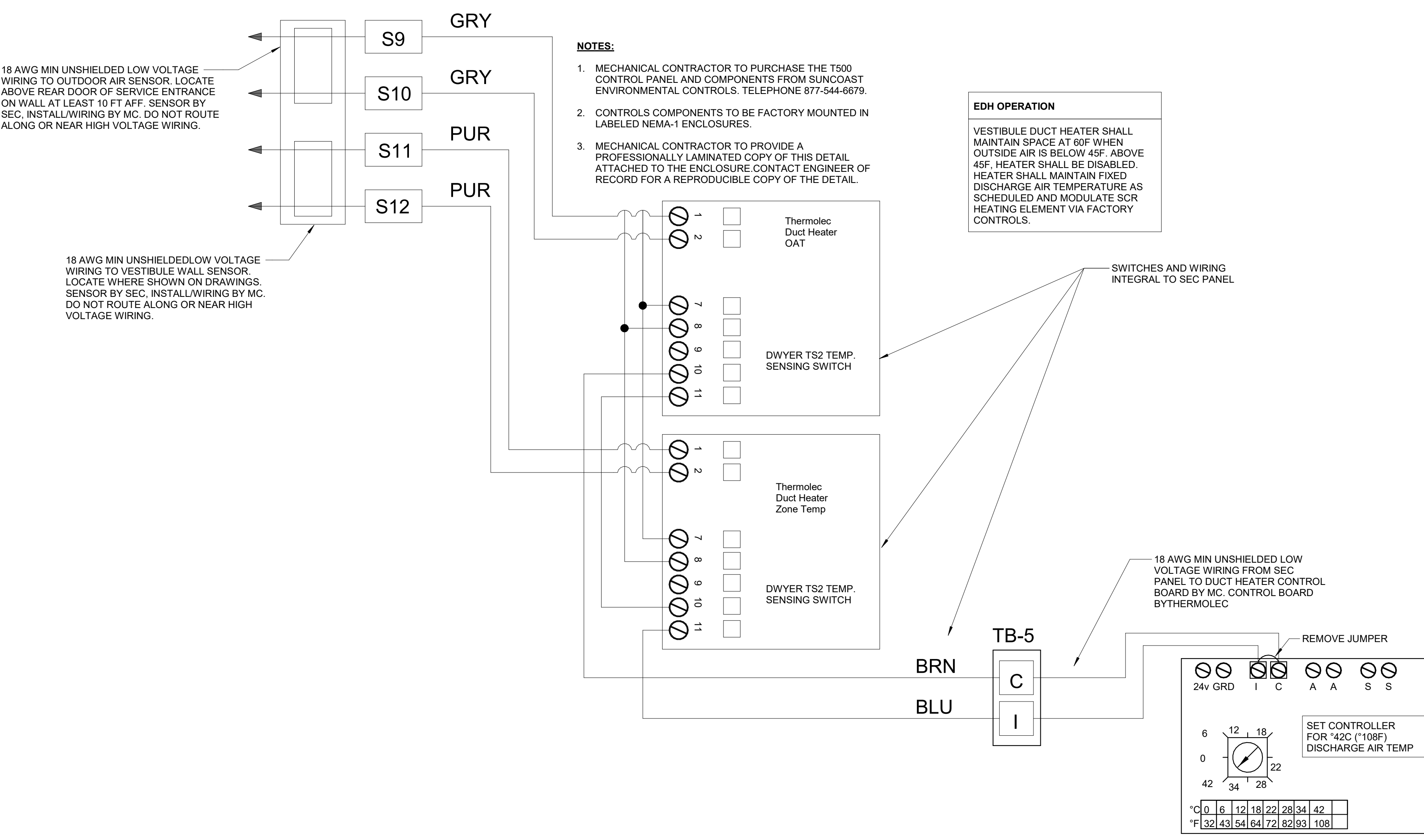


| LEGEND |                           |
|--------|---------------------------|
| M.C.   | MECHANICAL CONTRACTOR     |
| E.C.   | ELECTRICAL CONTRACTOR     |
| ---    | 18 AWG MIN WIRING BY M.C. |
| ---    | HIGH VOLTAGE BY E.C.      |
| ---    | FACTORY WIRING            |

- NOTES**
- SEE DWG MS201 FOR COMPONENT MODEL NUMBERS AND ORDERING INFORMATION.
  - 120V POWER FOR TRANSFORMER TO BE NON-SWITCHED AND LIVE 24 HOURS EACH DAY.
  - PROVIDE ALL NECESSARY WIRING AND COMPONENTS TO MAKE CONTROL AND POWER CONNECTIONS TO TRANSFORMER, ZONE DAMPER, AND THERMOSTAT PER MANUFACTURER'S IOM.
  - PROVIDE MYLAR LABEL AT ALL NEW THERMOSTATS WITH 1/4" HIGH WHITE LETTERING ON BLACK BACKGROUND, I.E. "OFFICE THERMOSTAT". PLACE LABELS ON WALL ADJACENT TO DEVICE. DO NOT APPLY DIRECTLY ON DEVICE.

- SEQUENCE OF OPERATION**
- WHEN THE SUPPLY AIR TEMPERATURE IS LESS THAN 72F THE DAMPER WILL MODULATE ON A RISE IN SPACE TEMPERATURE ABOVE THE SETPOINT.
  - WHEN THE SUPPLY AIR TEMPERATURE IS GREATER THAN 71F THE DAMPER WILL MODULATE ON A FALL IN SPACE TEMPERATURE BELOW THE SETPOINT.
  - WHEN SPACE TEMPERATURE FALLS BELOW 68F (ADJ.) THE THERMOSTAT SHALL SEND AN ENABLE SIGNAL TO THE EDH. THE EDH SHALL THEN MODULATE CAPACITY TO MAINTAIN AN 80F (ADJ) DISCHARGE AIR SETPOINT.

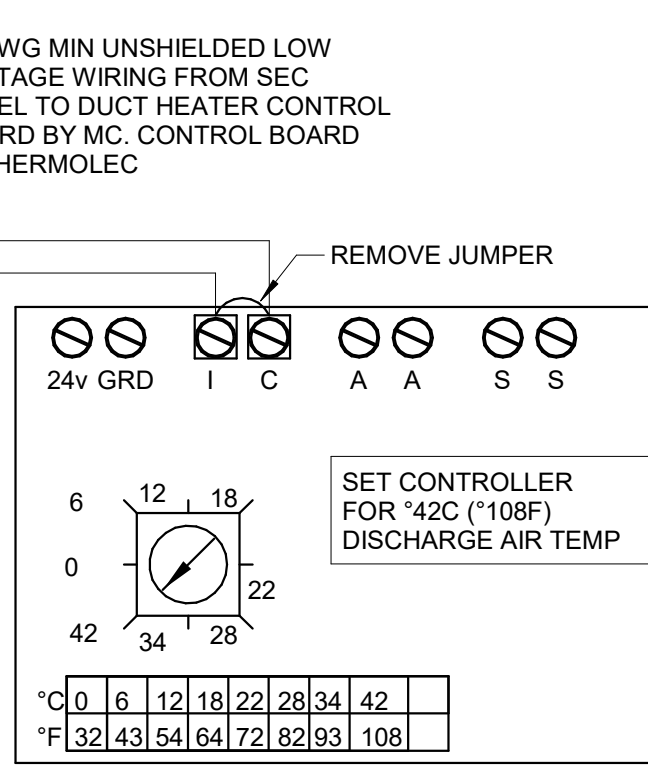
② DAMPER AND TSTAT - MGRS OFFICE  
NOT TO SCALE



- NOTES:**
- MECHANICAL CONTRACTOR TO PURCHASE THE T600 CONTROL PANEL AND COMPONENTS FROM SUNCOAST ENVIRONMENTAL CONTROLS. TELEPHONE 877-544-6679.
  - CONTROLS COMPONENTS TO BE FACTORY MOUNTED IN LABELED NEMA-1 ENCLOSURES.
  - MECHANICAL CONTRACTOR TO PROVIDE A PROFESSIONALLY LAMINATED COPY OF THIS DETAIL ATTACHED TO THE ENCLOSURE CONTACT ENGINEER OF RECORD FOR A REPRODUCIBLE COPY OF THE DETAIL.

**EDH OPERATION**

VESTIBULE DUCT HEATER SHALL MAINTAIN SPACE AT 60F WHEN OUTSIDE AIR IS BELOW 45F. ABOVE 46F, HEATER SHALL BE DISABLED. HEATER SHALL MAINTAIN FIXED DISCHARGE AIR TEMPERATURE AS SCHEDULED AND MODULATE SCR HEATING ELEMENT VIA FACTORY CONTROLS.



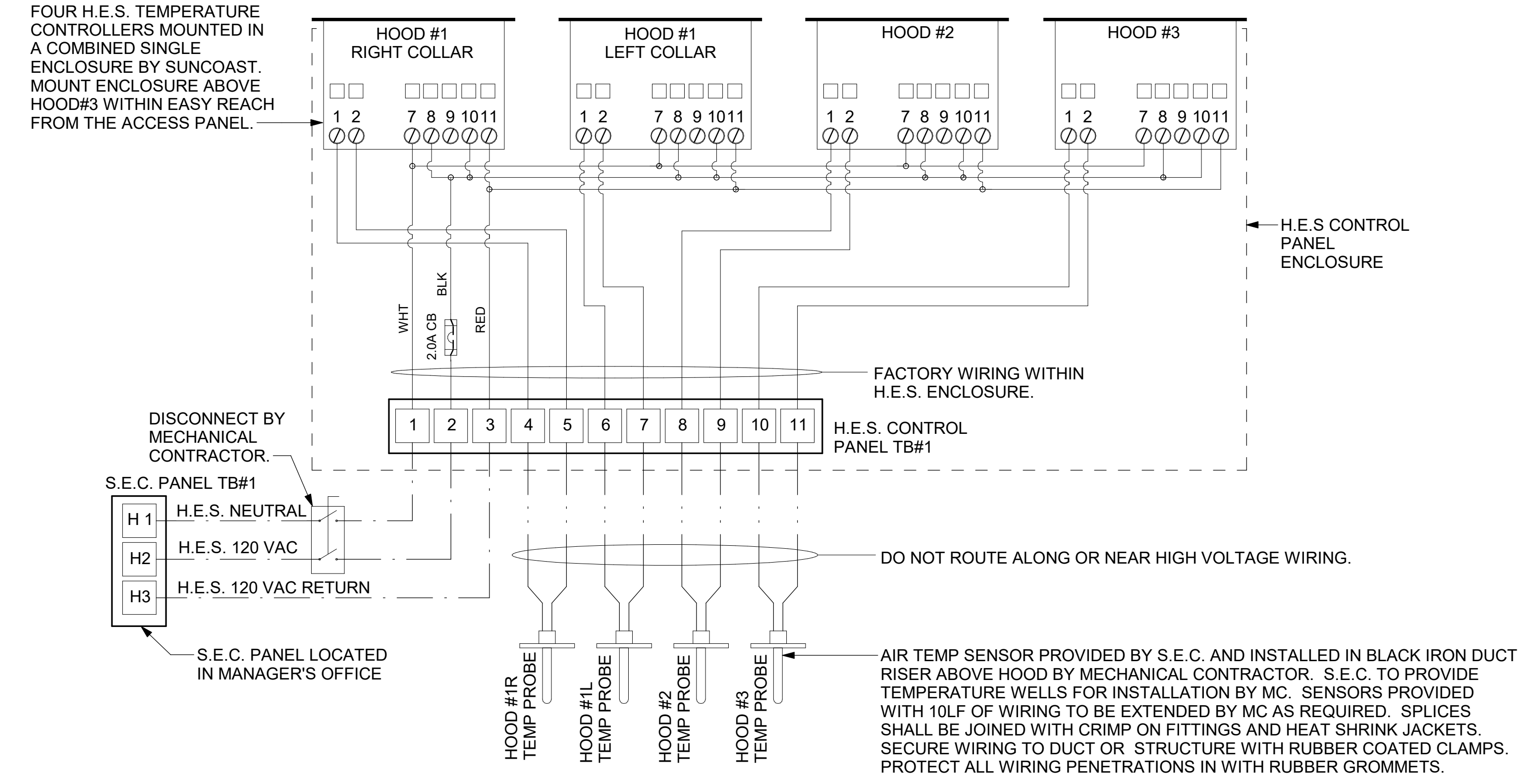
④ THERMOLEC EDH TERMINALS  
NOT OT SCALE

| LEGEND |   |
|--------|---|
| S.E.C. | SUNCOAST ENVIRONMENTAL CONTROLS<br>TENANT-500 ENERGY MGT PANEL    |
| H.E.S. | SUNCOAST ENVIRONMENTAL CONTROLS<br>HOOD EXHAUST SAFETY CONTROLLER |
| M.C.   | MECHANICAL CONTRACTOR   |
| ---    | 18 AWG MIN UNSHIELDED LOW VOLTAGE WIRING BY MC, U.N.O.            |
| ---    | 120 VAC WIRING BY MECHANICAL CONTRACTOR                           |

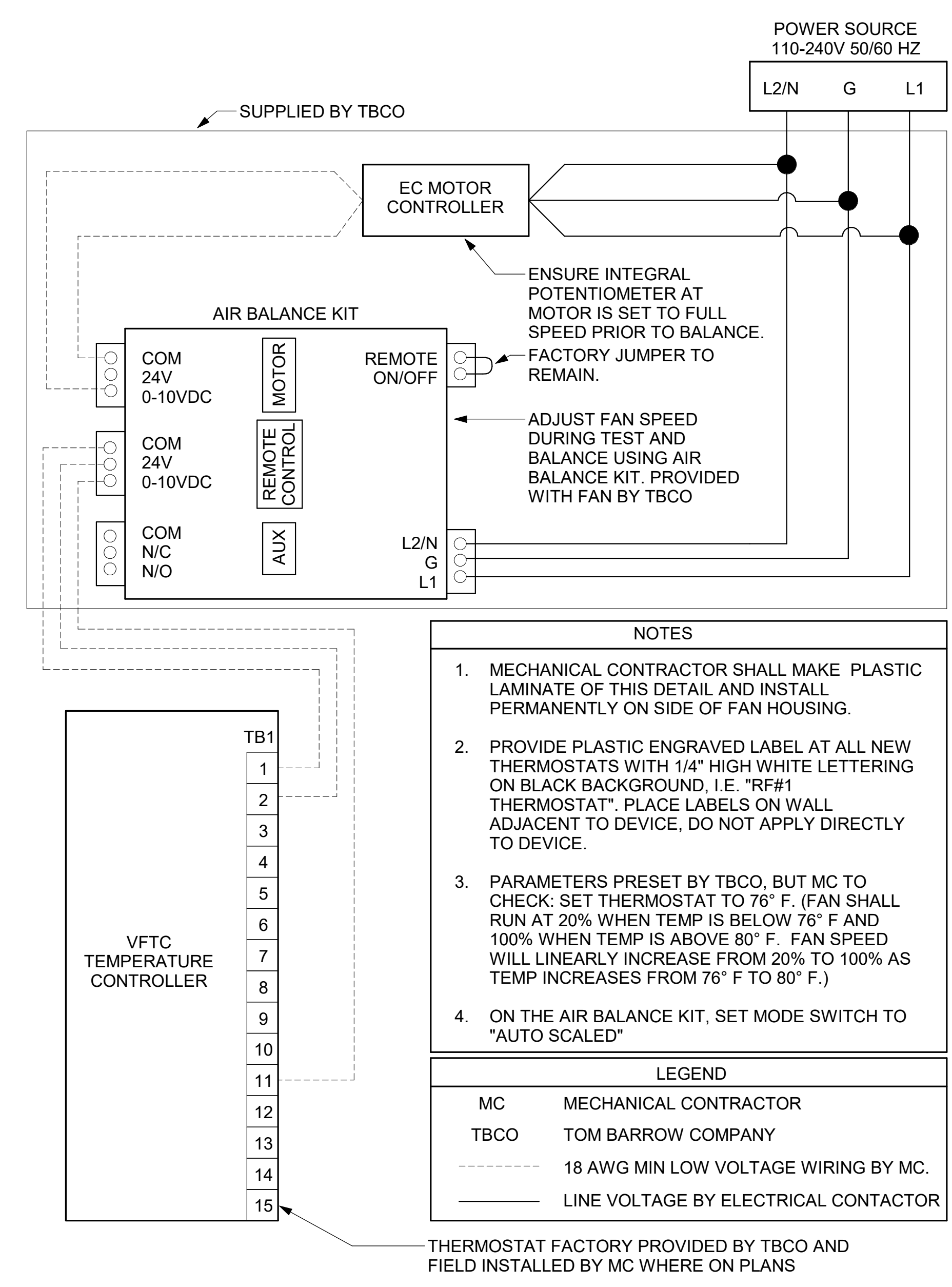
- GENERAL NOTES**
- MECHANICAL CONTRACTOR TO PURCHASE THE H.E.S. CONTROL PANEL AND COMPONENTS FROM SUNCOAST ENVIRONMENTAL CONTROLS. TELEPHONE 877-544-6679. CONTROLS COMPONENTS TO BE FACTORY MOUNTED IN LABELED NEMA-1 ENCLOSURES.
  - MECHANICAL CONTRACTOR TO PROVIDE A PROFESSIONALLY LAMINATED COPY OF THIS DETAIL ATTACHED TO THE ENCLOSURE CONTACT ENGINEER OF RECORD FOR A REPRODUCIBLE COPY OF THE DETAIL.

**S.E.C. H.E.S. OPERATION**

IN THE EVENT THAT ANY COOKING EQUIPMENT ITEM BENEATH ANY HOOD IS STARTED WITHOUT THE 'STORE SWITCH' BEING IN THE 'OCCUPIED' POSITION, THE H.E.S. CONTROLLER WILL SENSE THE HEAT RISE WITHIN THE HOOD CANOPY AND ENERGIZE THE EXHAUST FANS.



① HOOD FAN/EQUIPMENT INTERLOCK  
NOT TO SCALE



- NOTES**
- MECHANICAL CONTRACTOR SHALL MAKE PLASTIC LAMINATE OF THIS DETAIL AND INSTALL PERMANENTLY ON SIDE OF FAN HOUSING.
  - PROVIDE PLASTIC ENGRAVED LABEL AT ALL NEW THERMOSTATS WITH 1/4" HIGH WHITE LETTERING ON BLACK BACKGROUND, I.E. "RF#1 THERMOSTAT". PLACE LABELS ON WALL ADJACENT TO DEVICE, DO NOT APPLY DIRECTLY TO DEVICE.
  - PARAMETERS PRESET BY TBCO, BUT MC TO CHECK: SET THERMOSTAT TO 76° F. (FAN SHALL RUN AT 20% WHEN TEMP IS BELOW 76° F AND 100% WHEN TEMP IS ABOVE 80° F. FAN SPEED WILL LINEARLY INCREASE FROM 20% TO 100% AS TEMP INCREASES FROM 76° F TO 80° F.)
  - ON THE AIR BALANCE KIT, SET MODE SWITCH TO "AUTO SCALED"

| LEGEND |                                       |
|--------|---------------------------------------|
| MC     | MECHANICAL CONTRACTOR                 |
| TBCO   | TOM BARROW COMPANY                    |
| ---    | 18 AWG MIN LOW VOLTAGE WIRING BY MC.  |
| ---    | LINE VOLTAGE BY ELECTRICAL CONTRACTOR |

③ DTT CLOSET CONTROL DIAGRAM  
NOT TO SCALE



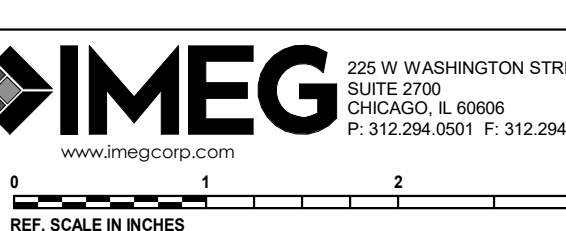
Chick-fil-A

Chick-fil-A  
5200 Buffington Road  
Atlanta, Georgia  
30349-2998



CHIPMAN DESIGN  
ARCHITECTURE GROUP PC  
1350 E TOUHY AVE  
FIRST FLOOR EAST  
DES PLAINES, IL 60018  
TEL: 847.298.6900

I HEREBY CERTIFY THAT THESE PLANS HAVE BEEN PREPARED UNDER MY SUPERVISION AND THAT TO THE BEST OF MY KNOWLEDGE, THE SAME COMPLY WITH ALL RULES, REGULATIONS AND ORDINANCES OF FAIRFIELD, CT RELATING TO STRUCTURES AND BUILDINGS.



**CHICK-FIL-A**  
POST ROAD  
750 POST ROAD & 42 ELLIOT ST.  
FAIRFIELD, CT 06824

**INL# 04878**  
BUILDING TYPE / SIZE: P13 SE  
RELEASE: 22.05

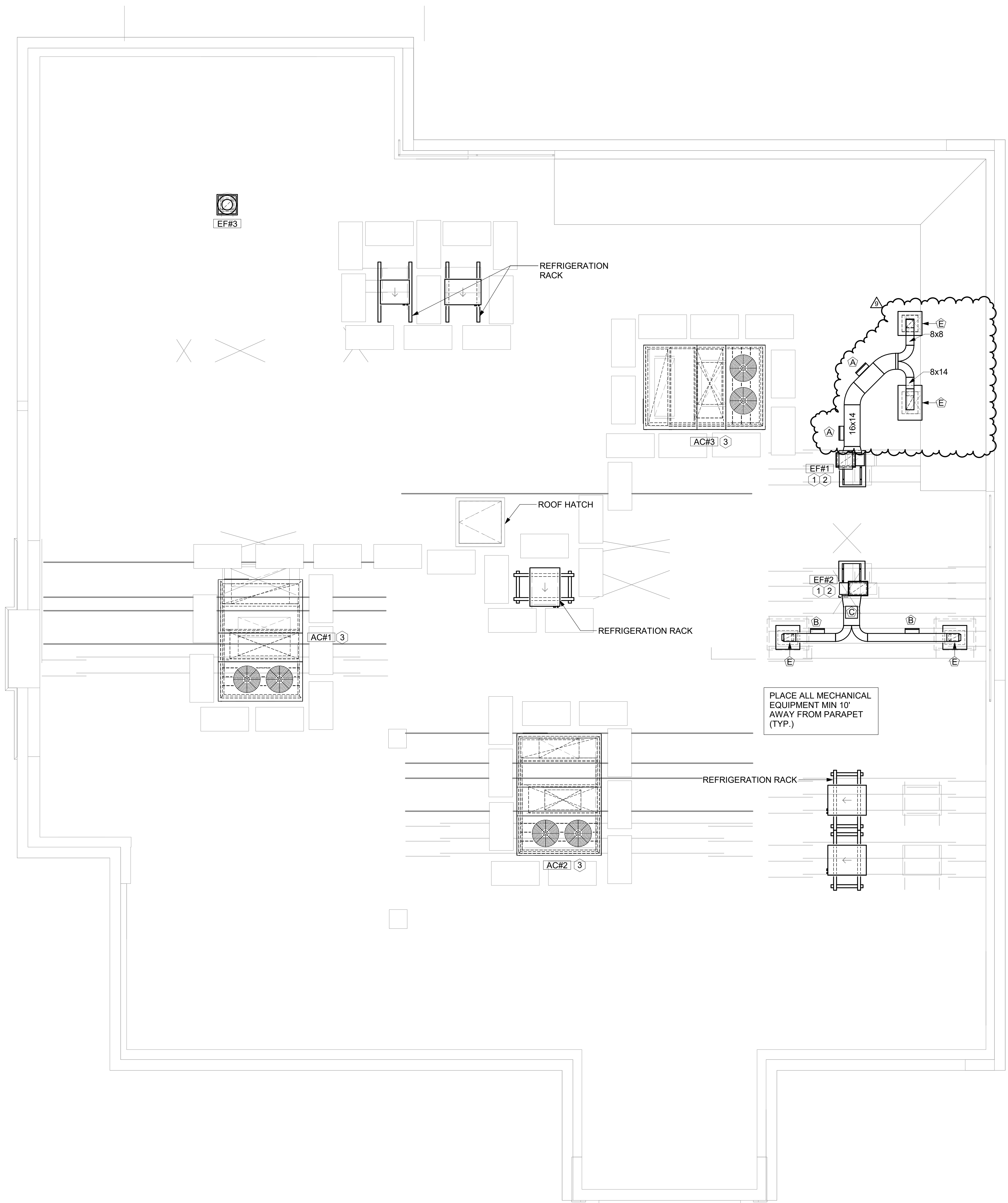
| REVISION SCHEDULE |            |  |
|-------------------|------------|--|
| NO.               | DATE       | DESCRIPTION                              |
| 1                 | 09/30/2022 | ISSUE FOR PERMIT                         |
| 3                 | 01/27/2023 | ISSUE FOR BID                            |
| 4                 | 02/22/2023 | ISSUE FOR CONSTRUCTION                   |
| 5                 | 05/01/2023 | IFC REVISION 3 - LLD COORD. CALL UPDATES |

ISSUE FOR CONSTRUCTION  
CONSULTANT PROJECT # 04878  
PRINTED FOR ISSUE FOR CONSTRUCTION  
DATE 02/22/2023  
DRAWN BY BIM  
CHECKED BY DM  
Information contained on this drawing and in all digital products produced for above named project may not be reproduced in any manner without express written or verbal consent from authorized project representatives.  
SHEET HVAC CONTROLS

SHEET NUMBER  
**M-602**

5/23/2023 10:13:09 AM BIM-360/ICT\_04878\_Fairfield\_2021.6\_PSR04878\_Fairfield\_MEC.rvt SE-04878-M-602-HVAC CONTROLS

7/28/2023 2:09:54 PM BIM\_360/ICT\_04878\_Fairfield\_2021.6\_FSR04878\_Fairfield\_MEC.rvt  
SE-04878-M-230-MECHANICAL ROOF PLAN



**SHEET NOTES**

- ALL DUCTWORK AND UNFINISHED METAL ON ROOF EXCEPT STAINLESS SHALL BE PREPARED WITH TWO COATS OF SHERWIN WILLIAMS PRO INDUSTRIAL DTM ACRYLIC COATING, SEMI-GLOSS WHITE. DEGREASE AND PRIME BARE METAL SURFACE WITH ONE COAT OF SHERWIN WILLIAMS PRO INDUSTRIAL PRO-CRYL ACRYLIC UNIVERSAL PRIMER, WHITE, PRIOR TO PAINTING.
- AT EACH PIECE OF ROOF EQUIPMENT, PROVIDE A PLASTIC ENGRAVED LABEL WITH 1" HIGH WHITE LETTERS ON A BLACK BACKGROUND. THE LABEL IS TO HAVE A SELF ADHESIVE BACKING.
- MAINTAIN 18" CLEARANCE FROM GREASE EXHAUST DUCTWORK ABOVE ROOF TO ANY COMBUSTIBLE CONSTRUCTION INCLUDING PARAPET WALLS.

**KEY NOTES**

- FABRICATE DISCHARGE AIR NOZZLE. VERIFY EXHAUST TERMINATION IS A MINIMUM 10'-0" FROM PARAPETS AND OUTSIDE AIR INTAKES. SEE DETAIL 3/M-401.
- GREASE EXHAUST DUCT LOCATED ON ROOF SHALL SLOPE 1/4" PER FOOT TOWARDS THE HOOD, THE FAN, OR A COMBINATION OF THE TWO SUCH THAT NO PORTION OF THE RADIUS ELBOW AT THE CURB IS BELOW THE CURB CAP AND SUCH THAT THE FAN BASE SETS DIRECTLY ON THE CURB RAILS. THE BOTTOM OF THE RADIUS ELBOW MAY BE EVEN OR FLUSH WITH THE CURB CAP, BUT NOT BELOW THE CAP. THE DUCT AT THE FAN MUST BE CENTERED ON THE FAN INLET. THE MC MAY ADD A VERTICAL RISER AT THE RADIUS ELBOW LOCATED AT THE DUCT CURB AS NEEDED IN ORDER TO CENTER THE DUCT ON THE FAN INLET.
- MECHANICAL CONTRACTOR TO SEE ARCHITECTURAL ROOF PLAN FOR NOTES REGARDING LEVELING FRAMES FOR RTUS. COORDINATE WITH GENERAL CONTRACTOR EXACT LOCATIONS AND SIZE NEEDED.

**GREASE ACCESS DOOR SCHEDULE**

| MARK | OPENING SIZE | DOOR SIZE  | REMARKS |
|------|--------------|------------|---------|
| A    | 9H X 14W     | 11H X 16W  | 1       |
| B    | 5.5H X 14W   | 7.5H X 16W | 1       |
| C    | 12H X 12W    | 14H X 14W  | 1       |
| D    | 10H X 14W    | 12H X 16W  | 1       |
| E    | 6H X 14W     | 8H X 16W   | 1       |

1. ACCESS DOORS SHALL BE U.L. 1978 LISTED OR FIELD FABRICATED, REQUIRE NO TOOLS FOR REMOVAL AND MEET THE REQUIREMENTS OF THE CURRENT EDITION OF THE IMC. ACCESS DOOR ASSEMBLY SHALL BE WELDED IN PLACE TO THE GREASE EXHAUST DUCT AND THE ACCESS DOOR SHALL BE SECURED WITH THUMB SCREWS. ACCESS DOORS SHALL BE SEALED WITH A MINIMUM 1500 DEGREE GASKET MATERIAL EQUIVALENT TO THAT MANUFACTURED BY BRENTON INDUSTRIES, INC (800) 382-2491.

SEE FYREWRAF INSTALLATION INSTRUCTIONS FOR ADDITIONAL INFORMATION ON CONFIGURING INSULATION OVER AN ACCESS DOOR.

1-1/4" MAX STAND-OFF FLANGE

TUBE SPACERS FOR WRAP TO BE EITHER 3" OR 4-1/2" LONG DEPENDING ON WHETHER A ONE LAYER OR TWO LAYER SYSTEM IS USED.

TUBE SPACERS AND OUTER PLATE NOT REQUIRED ON UNINSULATED DUCT.

**MECHANICAL ROOF PLAN**  
1  
1/4" = 1'-0"



*Chick-fil-A*

**Chick-fil-A**  
5200 Buffington Road  
Atlanta, Georgia  
30349-2998



**CHIPMAN DESIGN**  
ARCHITECTURE GROUP PC  
1350 E TOUHY AVE  
FIRST FLOOR EAST  
DES PLAINES, IL 60018  
TEL: 847.298.6900

I HEREBY CERTIFY THAT THESE PLANS HAVE BEEN PREPARED UNDER MY SUPERVISION AND THAT TO THE BEST OF MY KNOWLEDGE, THEY COMPLY WITH ALL RULES, REGULATIONS AND ORDINANCES OF FAIRFIELD, CT RELATING TO STRUCTURES AND BUILDINGS.



**IMEG** 225 W WASHINGTON STREET  
SUITE 2700  
CHICAGO, IL 60606  
P: 312.294.0501 F: 312.294.0003  
www.imeg.com  
REF. SCALE IN INCHES

**CHICK-FIL-A**  
POST ROAD  
750 POST ROAD & 42 ELLIOT ST.  
FAIRFIELD, CT 06824

**INL# 04878**  
BUILDING TYPE / SIZE: P13 SE  
RELEASE: 22.05

**REVISION SCHEDULE**

| NO. | DATE       | DESCRIPTION                              |
|-----|------------|--|
| 1   | 09/30/2022 | ISSUE FOR PERMIT                         |
| 3   | 01/27/2023 | ISSUE FOR BID                            |
| 4   | 02/22/2023 | ISSUE FOR CONSTRUCTION                   |
| 5   | 05/01/2023 | IFC REVISION 3 - ILL COORD. CALL UPDATES |
| 8   | 06/8/2023  | PERMIT COMMENTS                          |
| 9   | 07/14/2023 | IFC REVISION 4                           |

**ISSUE FOR CONSTRUCTION**

CONSULTANT PROJECT # 04878  
PRINTED FOR ISSUE FOR CONSTRUCTION  
DATE 02/22/2023  
DRAWN BY BIM  
CHECKED BY DM  
Information contained on this drawing and in all files produced for above named project may not be reproduced in any manner without express written or verbal consent from authorized project representatives.  
SHEET MECHANICAL ROOF PLAN  
SHEET NUMBER  
**M-230**