

Mark	SUPPLY AIR	RETURN AIR	OUTSIDE AIR	EXHAUST AIR	BUILDING POSITIVE PRESSURE
AC#1	9500	8450	1050		
AC#2	3750	2500	1250		
AC#3	3750	2275	1475		
EF#1				1913	
EF#2				1402	
EF#3				150	
	17000	13225	3775	3465	310

SHEET NOTES

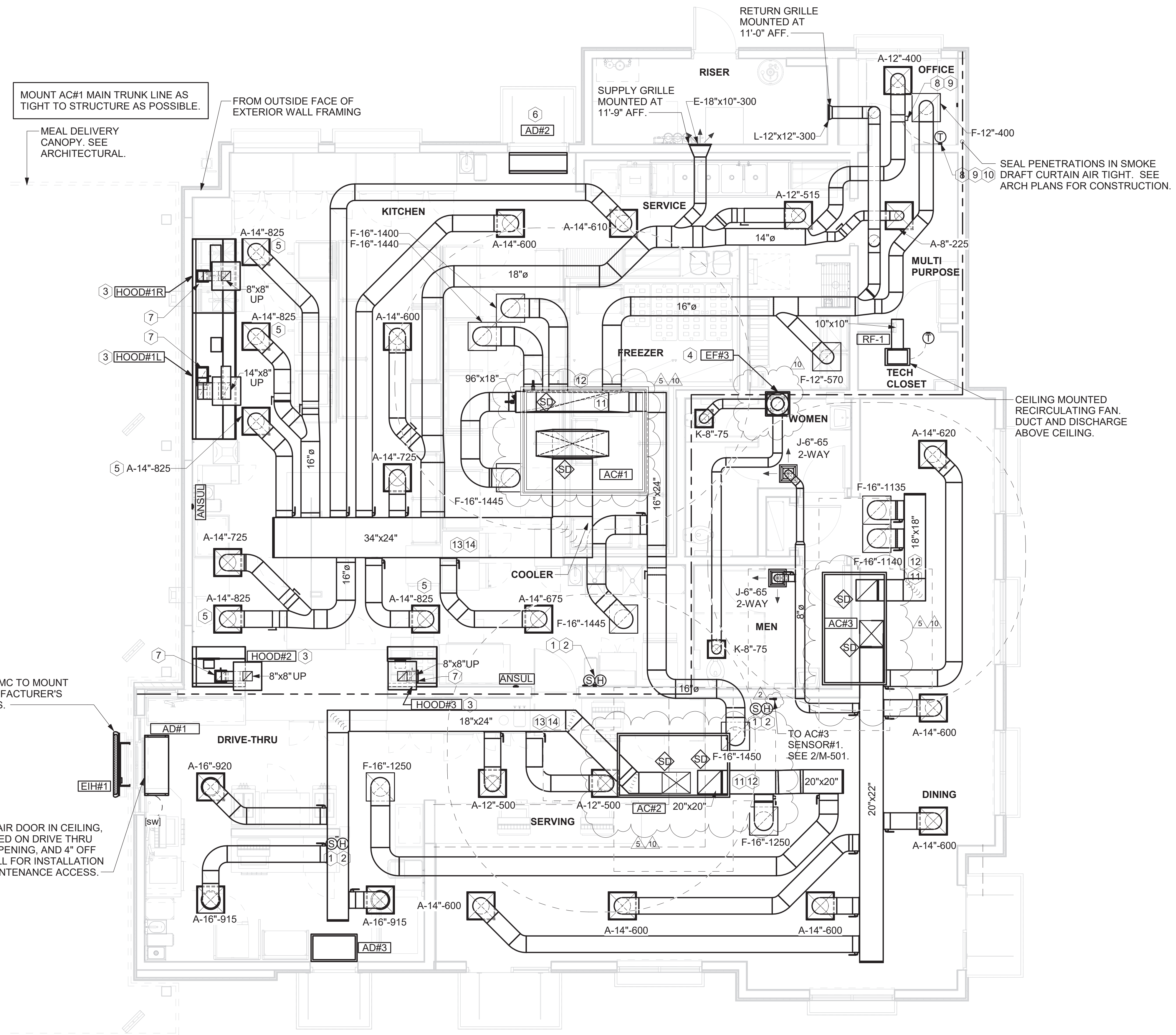
- DUCT SIZES SERVING DIFFUSERS AND GRILLES ARE SAME SIZE AS DIFFUSER OR GRILLE NECK UNLESS NOTED OTHERWISE.
- FLEXIBLE DUCT NOT SHOWN FOR CLARITY. ALL TAKE-OFFS SHALL INCLUDE FLEXIBLE DUCT. SEE DETAIL 1/M-401 FOR FLEXIBLE DUCT INSTALLATION REQUIREMENTS.
- FOR SUPPLY AND RETURN OPENINGS, CUT OPENING AROUND DUCT DROPS 4" TO 8" MINIMUM (EXCEPT WHERE STRUCTURE PREVENTS THIS). SEE ARCHITECTURAL AND STRUCTURAL DRAWINGS.
- AT EACH PIECE OF ROOF EQUIPMENT, PROVIDE A PLASTIC ENGRAVED LABEL WITH 1" HIGH WHITE LETTERS ON A BLACK BACKGROUND. THE LABEL IS TO HAVE A SELF ADHESIVE BACKING.
- UNLESS NOTED OTHERWISE, MC TO ADJUST ALL DIFFUSER AIR PATTERN DEFLECTORS TO THROW HORIZONTALLY ALONG THE CEILING.
- SUPPORT ALL DUCT DROPS AT BASE OF DROP FROM STRUCTURE.

CANOPY GENERAL NOTES

- COORDINATE NEW WORK WITH EXISTING CONDUIT, STRUCTURE, AND PIPING. FIELD VERIFY EXISTING CONDITIONS PRIOR TO START OF WORK.
- COORDINATE LOCATION AND RESPONSIBILITIES FOR UNDERGROUND PIPING AND ASSOCIATED TRENCHING WITH GENERAL CONTRACTOR PRIOR TO START OF WORK.
- EXPOSED GAS PIPING SHALL BE PAINTED BY GENERAL CONTRACTOR.
- ACTUAL NUMBER OF GAS INFRARED HEATERS WILL BE DETERMINED BY SITE-SPECIFIC CANOPY LAYOUT AND EQUIPMENT LOCATIONS, AS INDICATED ON ARCHITECTURAL PLANS.
- CONTROL WIRING FOR HEATERS BY EC. COORDINATE REQUIRED WIRE GAUGE WITH EC. SEE CONTROLS PLAN AND ELECTRICAL DRAWINGS, TYP.

Symbol	Description	Symbol	Description
A-12-400	TYPE - NECK SIZE - CFM	EF#1	EXHAUST FAN #1 (TYP.)
[Symbol]	SPIN-IN FITTING WITH MANUAL BALANCING DAMPER, WITHOUT SCOOP	AC#1	AIR CONDITIONING UNIT #1 (TYP.)
[Symbol]	SPIN-IN HARD FLEXIBLE DIFFUSER	[Symbol]	RETURN/EXHAUST (TYP.)
(S)	REMOTE TEMPERATURE SENSOR	[Symbol]	SUPPLY DIFFUSER, SQ FACE (TYP.)
(H)	HUMIDITY SENSOR	(1)	PLAN NOTE REFERENCE
[Symbol]	SMOKE DETECTOR	[Symbol]	MANUAL VOLUME DAMPER
12x18	DUCT SIZE (reverse for elevation views) 1ST NUMBER - HORIZONTAL DIMENSION 2ND NUMBER - VERTICAL DIMENSION	[Symbol]	DIRECTION OF THROW ON DIFFUSER
[SW]	AIR DOOR SWITCH	[GH]	GAS INFRARED HEATER (TYP.)
EC	ELECTRICAL CONTRACTOR	B/G	BELOW GRADE
MC	MECHANICAL CONTRACTOR	(T)	THERMOSTAT
EIH	ELECTRIC INFRARED HEATER		

1 MECHANICAL FLOOR PLAN
1/4" = 1'-0"



KEY NOTES

- MOUNT REMOTE SENSOR ON WALL AT 5'-0" AFF U.N.O. AND ROUTE WIRING BACK TO SUNCOAST TEMP CONTROL PANEL. FOR SENSOR SERVING AC#1, COORDINATE EXACT LOCATION WITH KITCHEN EQUIPMENT.
- MOUNT LENNOX HUMIDITY SENSOR ON WALL ABOVE SPACE TEMP SENSOR AND ROUTE WIRING TO UNIT ON ROOF.
- SEE ELEVATIONS ON M-301 FOR CJ FAN DUCTING REQUIREMENTS.
- 10X10 EXHAUST DUCT DOWN.
- MECHANICAL CONTRACTOR TO ADJUST PATTERN DEFLECTORS TO THROW STRAIGHT DOWN.
- AIR CURTAIN MOUNTED OVER DOOR HEADER AT 7'-2" AFF TO BOTTOM OF UNIT. PROVIDE BLOCKING IN WALL BEHIND AIR CURTAIN. USE FACTORY PRE-PUNCHED MOUNTING HOLES ON BACK SIDE OF AIR CURTAIN ONLY. ATTACH AIR CURTAIN TO WALL USING 3/8" LAG BOLTS. LENGTH AS REQUIRED TO FULLY PENETRATE BLOCKING. LOCATE MAGNETIC CONTACT TYPE MICROSWITCH IN DOOR FRAME ON STRIKE SIDE.
- HALTON KBD DAMPER AT HOOD COLLAR BY MECHANICAL CONTRACTOR. SEE HOOD ELEVATIONS ON M-301 FOR LOCATION.
- YOUNG REGULATOR 12" MODEL 4075-LMB24-IF ROUND ZONE DAMPER WITH MODEL T-720A AUTOMATIC CHANGE-OVER THERMOSTAT. MOUNT T'STAT AT 4'-0" AFF. POWER OPEN/SPRING CLOSE. ADJUST MECHANICAL LIMIT FOR 50 CFM MINIMUM AIRFLOW. CHICK-FIL-A HAS A NATIONAL ACCOUNT WITH TOM BARROW COMPANY FOR THE ZONE DAMPER. THE MECHANICAL CONTRACTOR SHALL PURCHASE THE ZONE DAMPER DIRECTLY FROM TOM BARROW COMPANY. CONTACT MR. SCOTT GEORGE AT 404-351-1010, FOR PRICING AND AVAILABILITY. ZONE DAMPERS NOT PURCHASED THRU TOM BARROW COMPANY WILL NOT BE ACCEPTED.
- 120V/24V 50 VA TRANSFORMER PROVIDED BY TOM BARROW COMPANY TO SERVE YOUNG REGULATOR ZONE DAMPER ACTUATOR AND THERMOSTAT. POWER TRANSFORMER FROM 120V POWER CIRCUIT THAT REMAINS LIVE 24/7. PROVIDE ALL NECESSARY WIRING AND COMPONENTS TO MAKE CONTROL AND POWER CONNECTIONS TO TRANSFORMER, ZONE DAMPER, AND THERMOSTAT PER MANUFACTURER'S IOM. THERE IS NO INTERLOCKING OR MONITORING BY WAY OF THE S.E.C. CFA-500 PANEL. SEE WIRING DIAGRAMS ON M-501.
- YOUNG REGULATOR 14" MODEL 4075-LMB24-IF ROUND ZONE DAMPER WITH MODEL T-720A AUTOMATIC CHANGE-OVER THERMOSTAT. MOUNT T'STAT AT 4'-0" AFF. POWER OPEN/SPRING CLOSE. ADJUST MECHANICAL LIMIT FOR 50 CFM MINIMUM AIRFLOW. CHICK-FIL-A HAS A NATIONAL ACCOUNT WITH TOM BARROW COMPANY FOR THE ZONE DAMPER. THE MECHANICAL CONTRACTOR SHALL PURCHASE THE ZONE DAMPER DIRECTLY FROM TOM BARROW COMPANY. CONTACT MR. SCOTT GEORGE AT 404-351-1010, FOR PRICING AND AVAILABILITY. ZONE DAMPERS NOT PURCHASED THRU TOM BARROW COMPANY WILL NOT BE ACCEPTED.
- TRANSITION IN VERTICAL DROP FROM FULL SIZE OF CURB OPENING TO SIZE SHOWN. SEE DETAIL 6/M-401 FOR REQUIRED TRANSITION GEOMETRY. TRANSITION WITHIN CURB WHERE REQUIRED TO AVOID STRUCTURE. WHERE THE DUCT IS SHOWN OFFSET HORIZONTALLY, PROVIDE ELBOW WITHOUT TURNING VANES. FOR DROPS WITH NO HORIZONTAL OFFSET, EXTEND DROP BELOW STRUCTURE TO ACCOMMODATE START COLLARS. TERMINATE DROP A MINIMUM 0'-10" ABOVE CEILING (0'-4" ABOVE CEILING IF REQUIRED TO ACCOMMODATE TAKE-OFF AND DROP IS NOT LOCATED DIRECTLY ABOVE A LIGHT).
- DAMPER HANDLES SHOULD BE INSTALLED SUCH THAT THE DAMPERS ROTATION AXIS IS PERPENDICULAR TO THE FLOOR WITH THE HANDLE FULLY ACCESSIBLE UNDERNEATH THE DUCT IT CONTROLS. (TYPICAL OF ALL DAMPERS AT THE SAME PLENUM.)
- BRANCH TAKE-OFFS ARE NOT TO BE LOCATED CLOSER THAN 3'-0" FROM ANY OFFSET OR ELBOW INCLUDING THE SUPPLY AIR DROP FROM CURB.
- TRANSITION IN VERTICAL DROP FROM FULL SIZE OF CURB OPENING TO SIZE SHOWN. TRANSITION WITHIN CURB WHERE REQUIRED TO AVOID STRUCTURE. WHERE THE DUCT IS SHOWN OFFSET HORIZONTALLY, PROVIDE ELBOW WITH TURNING VANES. FOR DROPS WITH NO HORIZONTAL OFFSET, EXTEND DROP BELOW STRUCTURE TO ACCOMMODATE START COLLARS. TERMINATE DROP A MINIMUM 0'-10" ABOVE CEILING (0'-4" ABOVE CEILING IF REQUIRED TO ACCOMMODATE TAKE-OFF AND DROP IS NOT LOCATED DIRECTLY ABOVE A LIGHT).



Chick-fil-A
5200 Buffington Road
Atlanta, Georgia
30349-2998

INTERPLAN
INTERPLAN LLC
AR99238
CA 8660

ARCHITECTURE
ENGINEERING
PERMITTING
220 E. CENTRAL PKWY, STE 4000
ALAMONTE SPRINGS, FL 32701
407.645.5008



CHICK-FIL-A
SPRAYBERRY
2530 SANDY PLAINS RD
MARIETTA, GA 30066

FSU#00806
BUILDING TYPE / SIZE: P13 SE SML
RELEASE: 22-05

NO.	DATE	DESCRIPTION
2	04/27/23	COORDINATION REVISION
5	05/26/23	FIRE COMMENTS
10	08/15/23	COORDINATION REVISION

CONSULTANT PROJECT # 2019.0834
DATE 10/2022
DRAWN BY AE
MECHANICAL FLOOR PLAN
SHEET NUMBER
M-201

SHEET NOTES

- ALL DUCTWORK AND UNFINISHED METAL ON ROOF EXCEPT STAINLESS SHALL BE PREPARED WITH TWO COATS OF SHERWIN WILLIAMS PRO INDUSTRIAL DTM ACRYLIC COATING, SEMI-GLOSS, WHITE. DEGREASE AND RPIME BARE METAL SURFACE WITH ONE COAT OF SHERWIN WILLIAMS PRO INDUSTRIAL PRO-CRYL ACRYLIC UNIVERSAL PRIMER, WHITE, PRIOR TO PAINTING.
- AT EACH PIECE OF ROOF EQUIPMENT, PROVIDE A PLASTIC ENGRAVED LABEL WITH 1" HIGH WHITE LETTERS ON A BLACK BACKGROUND. THE LABEL IS TO HAVE A SELF ADHESIVE BACKING.
- MAINTAIN 18" CLEARANCE FROM GREASE EXHAUST DUCTWORK ABOVE ROOF TO ANY COMBUSTIBLE CONSTRUCTION INCLUDING PARAPET WALLS.

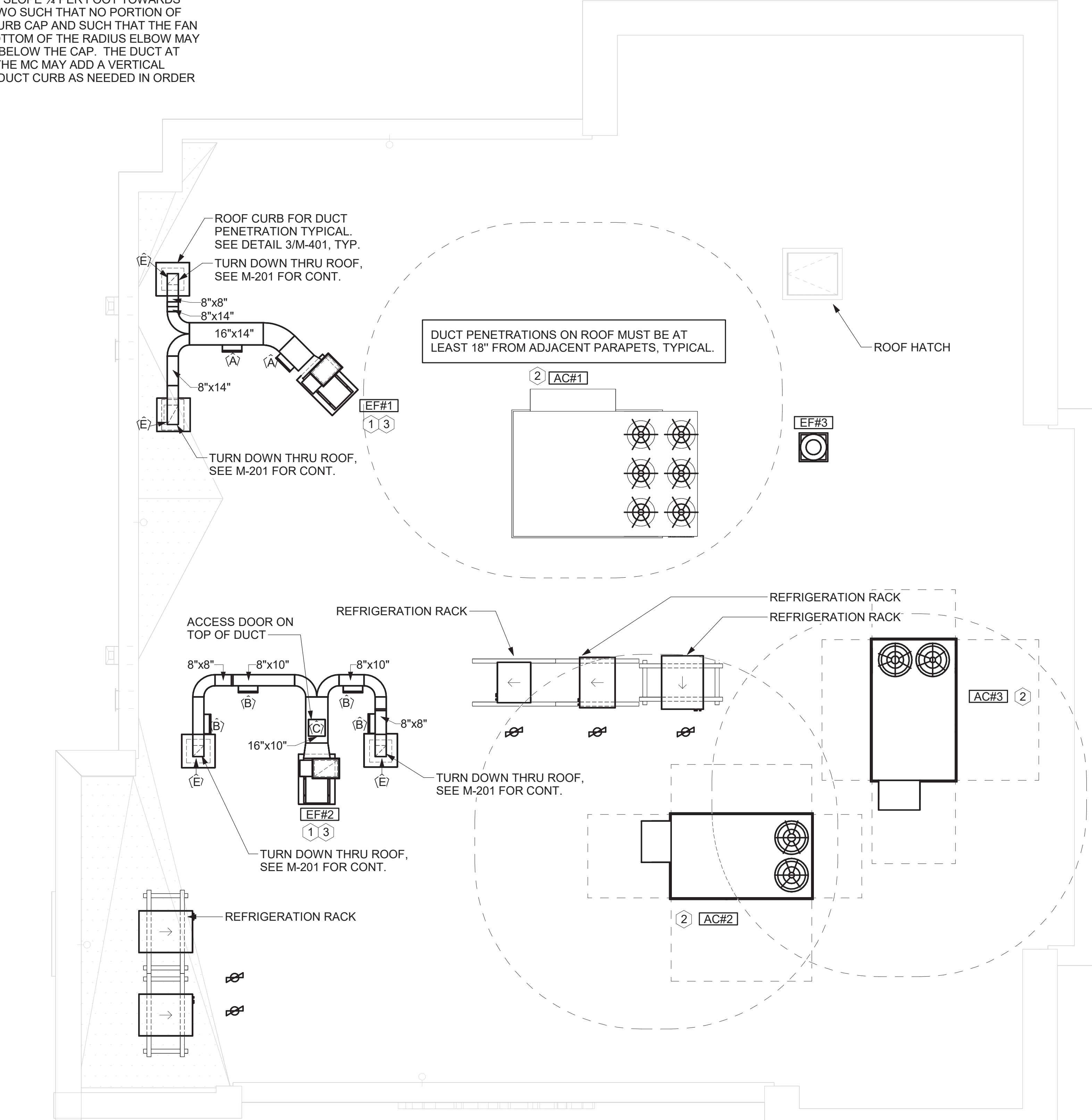
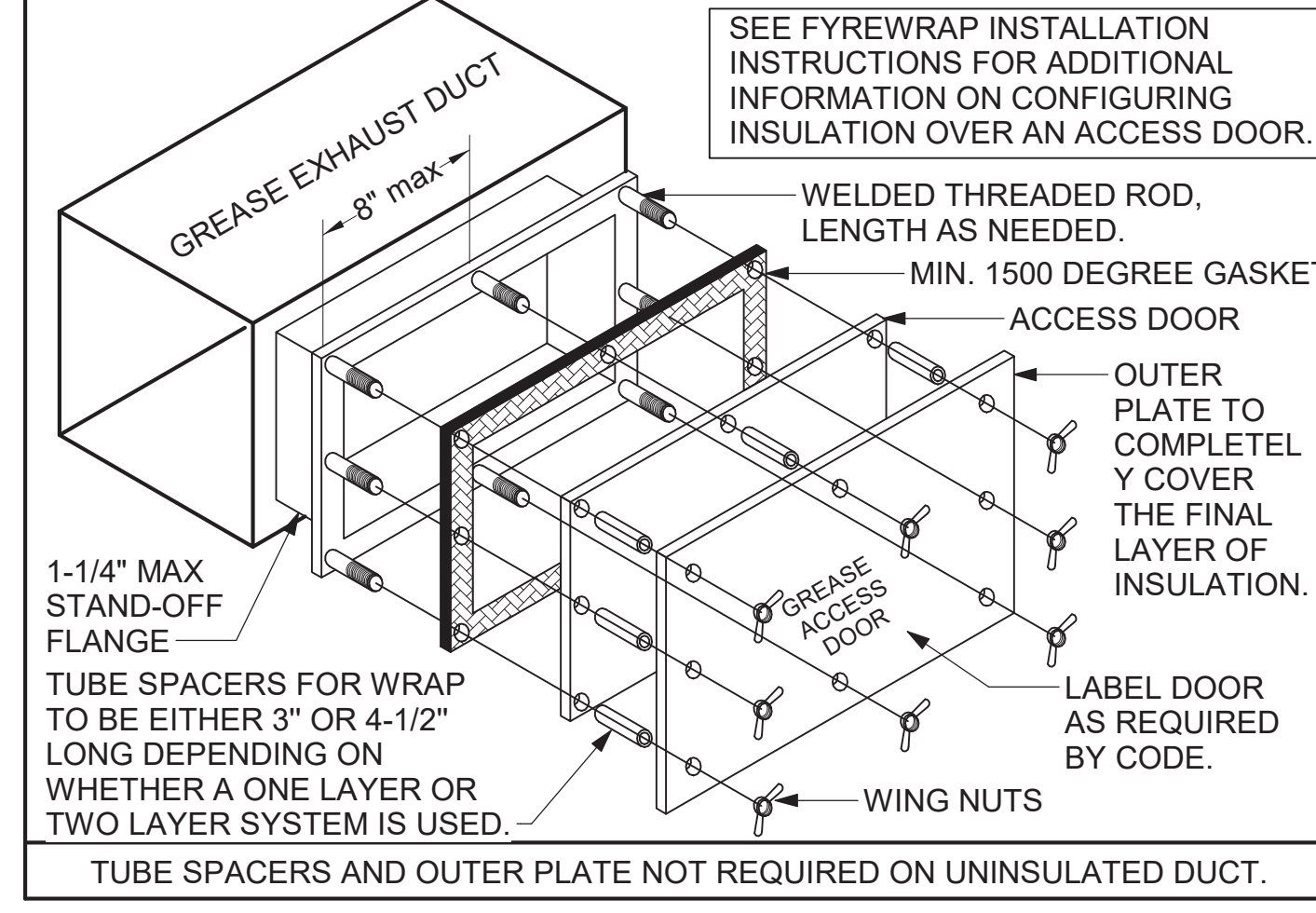
KEY NOTES

- FABRICATE DISCHARGE AIR NOZZLE. VERIFY EXHAUST TERMINATION IS A MINIMUM 10'-0" FROM PARAPETS AND OUTSIDE AIR INTAKES. SEE DETAIL 3/M-401.
- MECHANICAL CONTRACTOR TO SEE ARCHITECTURAL ROOF PLAN FOR NOTES REGARDING LEVELING FRAMES FOR RTUS. COORDINATE WITH GENERAL CONTRACTOR EXACT LOCATIONS AND SIZE NEEDED.
- GREASE EXHAUST DUCT LOCATED ON ROOF SHALL SLOPE 1/4" PER FOOT TOWARDS THE HOOD, THE FAN, OR A COMBINATION OF THE TWO SUCH THAT NO PORTION OF THE RADIUS ELBOW AT THE CURB IS BELOW THE CURB CAP AND SUCH THAT THE FAN BASE SETS DIRECTLY ON THE CURB RAILS. THE BOTTOM OF THE RADIUS ELBOW MAY BE EVEN OR FLUSH WITH THE CURB CAP, BUT NOT BELOW THE CAP. THE DUCT AT THE FAN MUST BE CENTERED ON THE FAN INLET. THE MC MAY ADD A VERTICAL RISER AT THE RADIUS ELBOW LOCATED AT THE DUCT CURB AS NEEDED IN ORDER TO CENTER THE DUCT ON THE FAN INLET.

GREASE ACCESS DOOR SCHEDULE

MARK	OPENING SIZE	DOOR SIZE	REMARKS
(A)	9H X 14W	11H X 16W	1
(B)	5.5H X 14W	7.5H X 16W	1
(C)	12H X 12W	14H X 14W	1
(D)	10H X 14W	12H X 16W	1
(E)	6H X 14W	8H X 16W	1

1. ACCESS DOORS SHALL BE U.L. 1978 LISTED OR FIELD FABRICATED. REQUIRE NO TOOLS FOR REMOVAL AND MEET THE REQUIREMENTS OF THE CURRENT EDITION OF THE IMC. ACCESS DOOR ASSEMBLY SHALL BE WELDED IN PLACE TO THE GREASE EXHAUST DUCT AND THE ACCESS DOOR SHALL BE SECURED WITH THUMB SCREWS. ACCESS DOORS SHALL BE SEALED WITH A MINIMUM 1500 DEGREE GASKET MATERIAL EQUIVALENT TO THAT MANUFACTURED BY BRENTON INDUSTRIES, INC (800) 382-2491.



1 MECHANICAL ROOF PLAN
1/4" = 1'-0"



Chick-fil-A

Chick-fil-A
5200 Buffington Road
Atlanta, Georgia
30349-2998

INTERPLAN
INTERPLAN LLC
AR99238
CA 8660

ARCHITECTURE
ENGINEERING
PERMITTING

220 E. CENTRAL PKWY, STE 4000
ALTIMONTE SPRINGS, FL 32701
407.645.5008

SEAL:



CHICK-FIL-A
SPRAYBERRY

2530 SANDY PLAINS RD
MARIETTA, GA 30066

FSU#00806

BUILDING TYPE / SIZE: P13 SE SML
RELEASE: 22.05

PRINTED FOR CONSTRUCTION

REVISION SCHEDULE

NO.	DATE	DESCRIPTION

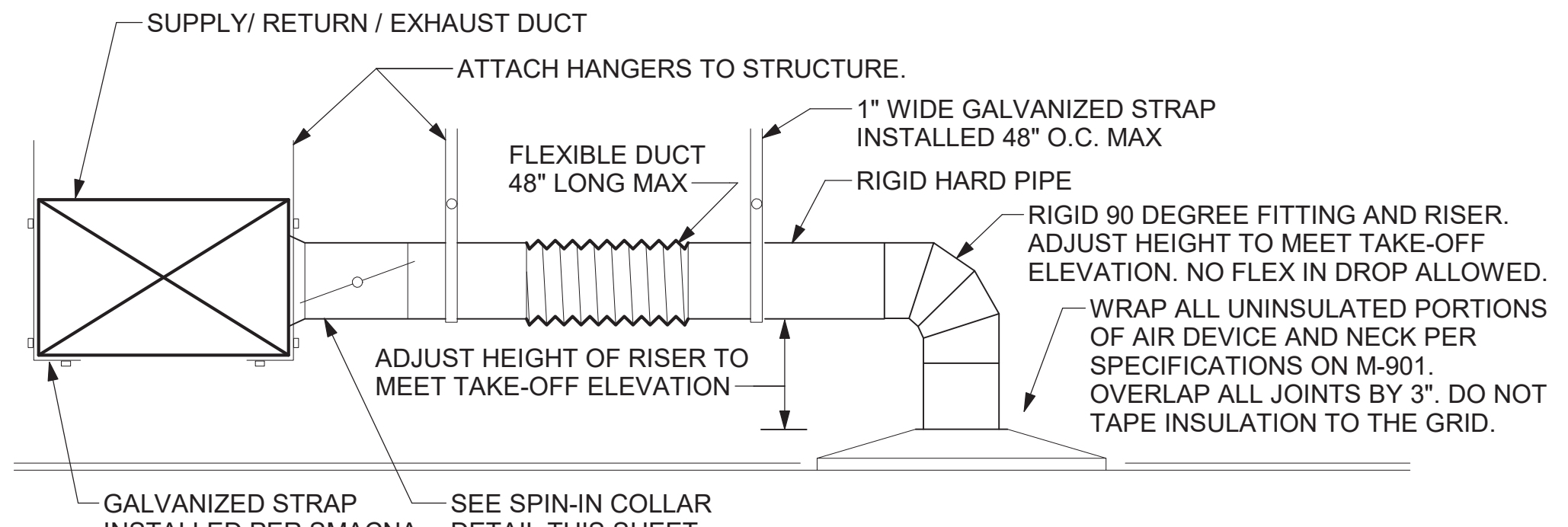
CONSULTANT PROJECT # 2019.0834
DATE 10/2022

DRAWN BY AE

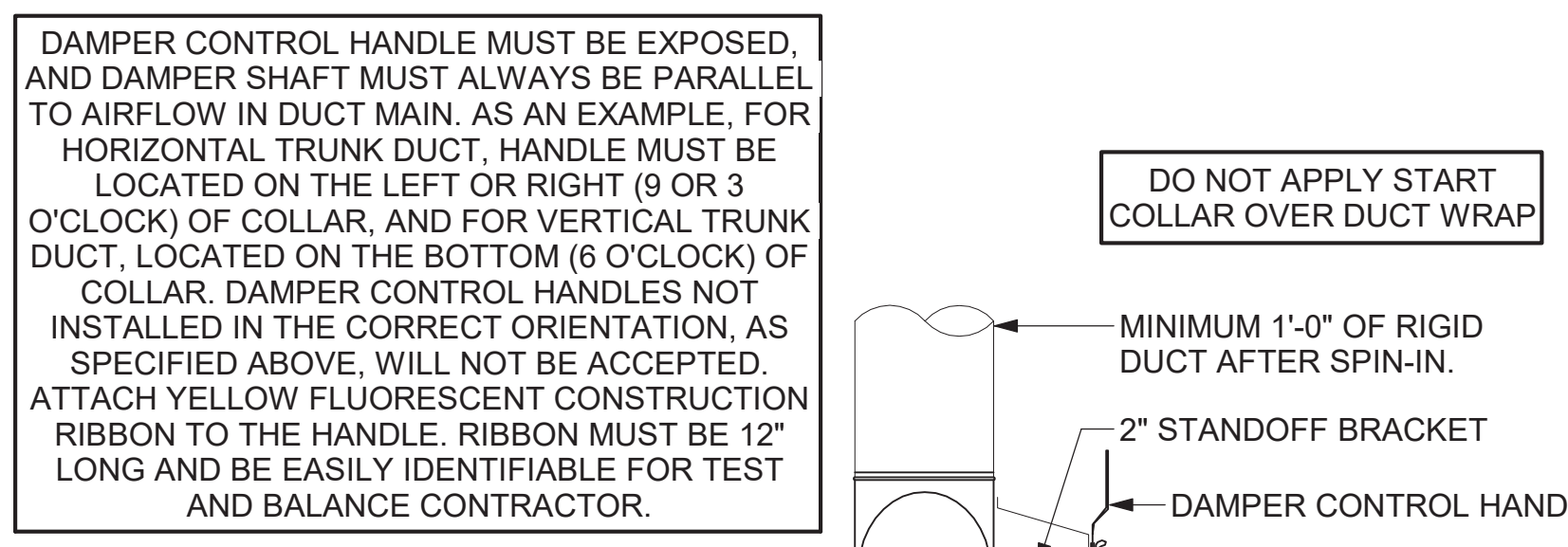
MECHANICAL ROOF PLAN

SHEET NUMBER

M-250



CHICK-FIL-A HAS A NATIONAL ACCOUNT WITH TOM BARROW COMPANY FOR THE ROYAL METAL PRODUCTS START COLLARS FOR BOTH WITH AND WITHOUT A MANUAL BALANCING DAMPER. THE MECHANICAL CONTRACTOR IS REQUIRED TO PURCHASE THE ROYAL METAL PRODUCTS START COLLARS DIRECTLY FROM TOM BARROW COMPANY. CONTACT MR. SCOTT GEORGE AT 404-351-1010 FOR PRICING AND AVAILABILITY. ROYAL METAL PRODUCTS START COLLARS NOT PURCHASED THRU TOM BARROW COMPANY WILL NOT BE ACCEPTED.



GAS FIRED ROOFTOP UNIT SCHEDULE - LARGE BLDG

MARK	TOTAL COOLING MBH	SENSIBLE COOLING MBH	HEATING INPUT MBH	HEATING OUTPUT MBH	STAGES	SUPPLY	O.A.	HP	ESP	MODEL R-410A	MANUFACTURER	REMARKS
AC#1	288.4	219.2	480	384	2	9500	1050	10	0.80	LGH30054B	LENNOX	1,3,4,5,7,8,9,10,11,12,13,14,15,16,17
AC#2	154.8	116.1	240	192	2	3750	1250	3	0.65	LGH150H4B	LENNOX	2,3,4,6,7,8,9,10,11,12,13,14,15,16,17
AC#3	154.8	116.1	240	192	2	3750	1475	3	0.65	LGH150H4B	LENNOX	1,3,4,7,8,9,10,11,12,13,14,15,16,17

NOTES

- COOLING CAPACITIES ARE GROSS, BASED ON ENTERING: 80FDB/67FWB, OUTDOOR: 95FDB, AND 400 CFM PER TON.
- CHICK-FIL-A MAINTAINS A NATIONAL ACCOUNT WITH LENNOX CORPORATION. CONTACT LENNOX NATIONAL ACCOUNTS AT 800-367-6285 (OR BY FAX AT 972-497-5112) FOR PRICING, ORDERING AND AVAILABILITY.
- MECHANICAL CONTRACTOR TO VERIFY LENNOX SUBMITTAL WITH CONSTRUCTION DOCUMENTS.

REMARKS

- PROVIDE DIFFERENTIAL ENTHALPHY ECONOMIZER WITH POWER EXHAUST.
- PROVIDE DIFFERENTIAL ENTHALPHY ECONOMIZER WITH BAROMETRIC EXHAUST.
- PROVIDE 14" HIGH ROOF CURB PROVIDE CURBS PLUS RESTRAINT CLIP KIT.
- SEE DETAIL 2M-501 FOR SETTING OF PRODIGY M3 BOARD CONTROL PARAMETERS BY MC.
- PROVIDE FACTORY INSTALLED AND UNIT POWERED 115V-GFI SERVICE OUTLET.
- PROVIDE FACTORY INSTALLED 115V GFI SERVICE OUTLET.
- PROVIDE FACTORY INSTALLED SUPPLY AND RETURN SIDE SMOKE DETECTOR.
- PROVIDE FACTORY INSTALLED NON-FUSED DISCONNECT.
- PROVIDE 2" MERV 8 THROW AWAY FILTERS.
- PROVIDE HINGED PANELS FOR FILTER ACCESS, FAN MOTOR ACCESS, COMPRESSOR ACCESS AND CONTROL COMPARTMENT ACCESS.
- ADJUST GAS MANIFOLD PRESSURE AT LOCATIONS WHERE ELEVATION EXCEEDS 2000' ABOVE SEA LEVEL AS RECOMMENDED BY MANUFACTURER.
- PROVIDE FACTORY COIL HAIL GUARD, FIELD INSTALLED.
- NOT USED, OR PROVIDE FRESH AIR TEMPERING KIT.
- PROVIDE HUMIDITROL OPTION WITH FACTORY WALL MOUNTED HUMIDITY SENSOR.
- PROVIDE FACTORY INSTALLED BELT TENSIONER.
- PROVIDE FACTORY CONFIGURED PHASE LOSS PROTECTION.
- PROVIDE UNIT WITH MS4V BLOWER.
- PROVIDE FACTORY INSTALLED CONDENSATE PAN DRAIN OVERFLOW SWITCH.
- PROVIDE FACTORY STAINLESS STEEL HEAT EXCHANGER.
- PROVIDE WITH 100K SCCR RATING. REFER TO DESIGN NOTE 2022-007 FOR MORE INFORMATION.

EXHAUST FAN SCHEDULE - LARGE BLDG

MARK	Fan CFM	ESP	RPM	Tip Speed	HP	Area Served	MODEL	MANUFACTURER	REMARKS
EF#1	1913	0.75	1331	5226	3/4	HOOD#1	150 CPS	LOREN COOK	1,2,3,4,5,6,7,8,9,10,11,17
EF#2	1402	0.95	1199	4708	3/4	HOOD#2 & HOOD#3	150 CPS	LOREN COOK	1,2,3,4,5,6,7,8,9,10,11,17
EF#3	300	0.375	1,294	3,091	1/8	RESTROOMS	ACED-90C15DH	LOREN COOK	3,11,12,13,14,15,16

NOTES

- GREASE EXHAUST FAN RPM BASED ON 80 DEGREE F AIR AT 1000 FEET ABOVE SEA LEVEL.
- GREASE EXHAUST FANS TO BE U.L. 762 LISTED.
- CHICK-FIL-A HAS A NATIONAL ACCOUNT WITH TOM BARROW COMPANY FOR THE FAN/CURB PACKAGE. THE MECHANICAL CONTRACTOR IS REQUIRED TO PURCHASE THE FAN/CURB PACKAGE DIRECTLY FROM TOM BARROW COMPANY. CONTACT MR. SCOTT GEORGE AT 404-351-1010 FOR PRICING AND AVAILABILITY. FANS AND CURBS NOT PURCHASED THRU TOM BARROW COMPANY WILL NOT BE ACCEPTED.

REMARKS

- UPBLAST, ARRANGEMENT 10, CCW ROTATION. SEE PLANS TO CONFIRM CONFIGURATION.
- PROVIDE FACTORY ALUMINUM FAN WHEEL.
- PROVIDE FACTORY INSTALLED BELT DRIVE WITH ADJUSTABLE MOTOR SHEAVE AND SPARE BELT.
- PROVIDE FACTORY STEEL INLET FLANGE AND INLET COMPANION FLANGE.
- PROVIDE AND INSTALL ROOFTOP SOLUTIONS G2 DRIP GUARD. MECHANICAL CONTRACTOR TO CONTACT ROOFTOP SOLUTIONS AT 800-913-7034.
- PROVIDE FACTORY WEATHER HOUSING W/ HINGED ACCESS DOOR.
- PROVIDE FACTORY DRAIN CONNECTION.
- PROVIDE FACTORY BOLTED ACCESS DOOR ON SCROLL.
- PROVIDE FACTORY INSTALLED BELT DRIVE WITH ADJUSTABLE MOTOR SHEAVE AND SPARE BELT.
- PROVIDE FACTORY STEEL OUTLET COMPANION FLANGE.
- INTEGRAL THERMAL OVERLOAD WITH AUTOMATIC RESET.
- PROVIDE BIRDSCREEN.
- BACKDRAFT DAMPER IN DUCT BY MECHANICAL CONTRACTOR AS SHOWN ON 4/M401.
- STARTER BY ELECTRICAL CONTRACTOR. INTERLOCK WITH LIGHTS BY ELECTRICAL CONTRACTOR.
- PROVIDE 12" HIGH CURB.
- PROVIDE FACTORY INSTALLED AND WIRED SPEED CONTROLLER.
- UTILITY SET FAN CURB AND ASSOCIATED EXHAUST DUCT CURB PROVIDED BY TOM BARROW COMPANY.

AIR DOOR SCHEDULE - LARGE BLDG

MARK	CFM	VELOCITY	HEATING CAP	HP	AREA SERVED	MODEL	MANUFACTURER	REMARKS
AD#1	1765	2670 FPM	10 kW	3/4 HP	DRIVE-THRU	CHA-1-48E	Powered Aire	1,2,3,5
AD#2	3867	4220 FPM	N/A	3/4 HP	REAR DOOR	RBT-1-48	Powered Aire	4
AD#3	1374	2990 FPM	0	3/4	DRIVE-THRU DOOR	CHA-1-36	Powered Aire	3

NOTES

- CHICK-FIL-A HAS A NATIONAL ACCOUNT WITH TOM BARROW COMPANY FOR THE AIR DOORS. THE MECHANICAL CONTRACTOR SHALL PURCHASE THE AIR DOORS DIRECTLY FROM TOM BARROW COMPANY. CONTACT MR. SCOTT GEORGE AT 404-351-1010, FOR PRICING AND AVAILABILITY. AIR DOORS NOT PURCHASED THRU TOM BARROW COMPANY WILL NOT BE ACCEPTED.

REMARKS

- FACTORY PROVIDED, WIRED, AND UNIT MOUNTED SPEED CONTROLLER ABOVE CEILING.
- FACTORY WIRED DISCONNECT.
- FACTORY PROVIDED, FIELD INSTALLED BY MC, REMOTE WALL SWITCHES FOR HEATING ON/OFF AND FAN ON/AUTO SWITCH. SEE DETAIL, AIR CURTAIN WIRING DIAGRAM.
- FACTORY PROVIDED MAGNETIC DOOR CONTACT WITH FACTORY INSTALLED LOW VOLTAGE CONTROLS LOCATED IN AIR DOOR CABINET.
- PROVIDE WITH A DIVERTER BOX. PROVIDE WITH MOUNTING BRACKETS PER MANUFACTURER'S RECOMMENDATIONS. INSTALL 4" FROM THE WALL.

AIR DEVICE SCHEDULE - LARGE BLDG

MARK	DESCRIPTION	LOCATION	NECK SIZE	FACE SIZE	FRAME TYPE	REMARKS
A	PRICE MODEL APDC ALUMINUM SUPPLY AIR DIFFUSER WITH INDIVIDUALLY ADJUSTABLE CURVED AIR PATTERN CONTROLLERS.	DINING/ KITCHEN	VARIES	24"x24"	LAY-IN	1,7
E	PRICE MODEL 22 DOUBLE DEFLECTION ALUMINUM SIDEWALL SUPPLY GRILLE, FRONT BLADE PARALLEL TO LONG SIDE.	UTILITY	18"x10"	20"x12"	SURFACE	1
F	PRICE MODEL 80 EGGCRATE RETURN AIR GRILLE WITH REMOVABLE WHITE CORE, FACTORY FLAT BLACK BACKPAN AND ROUND NECK.	DINING/ KITCHEN	VARIES	24"x24"	LAY-IN	1,7
J	PRICE MODEL SMCD STEEL SUPPLY AIR DIFFUSER FIELD ADJUSTABLE AIR PATTERN CONTROLLERS.	RESTROOMS	10"x10"	15"x15"	BEVELLED	1,2,3,5,6
K	PRICE MODEL APDDR ALUMINUM PERFORATED FACE RETURN AIR GRILLE.	RESTROOMS/ ENTRY	14"x14"	16"x16"	SURFACE	1,4,5,6
L	PRICE MODEL 21 ALUMINUM SIDEWALL RETURN GRILLE, FRONT BLADE PARALLEL TO LONG SIDE.	UTILITY	12"x12"	14"x14"	SURFACE	1

NOTES

- CHICK-FIL-A HAS A NATIONAL ACCOUNT WITH TOM BARROW COMPANY FOR THE AIR DEVICES. THE MECHANICAL CONTRACTOR SHALL PURCHASE THE AIR DEVICES DIRECTLY FROM TOM BARROW COMPANY. CONTACT MR. SCOTT GEORGE AT 404-351-1010, FOR PRICING AND AVAILABILITY. AIR DEVICES NOT PURCHASED THRU TOM BARROW COMPANY WILL NOT BE ACCEPTED.

REMARKS

- STANDARD OFF WHITE FINISH.
- PROVIDE MODEL VC33 NECK DAMPER.
- SEE DRAWING M-201 FOR THROW.
- PROVIDE MODEL VCR7 NECK DAMPER ON GRILLES IN RESTROOMS SERVING EXHAUST FAN.
- PROVIDE BACKPAN. MC TO SEAL JOINTS WITH MASTIC AND INSULATE EXTERNALLY.
- FIELD INSULATE BACKPAN AS SHOWN ON DETAIL 1/M-401.
- FACTORY INSULATED R-6 BACKPAN.

GAS FIRED INFRARED HEATER SCHEDULE - LARGE BLDG

MARK	INPUT (MBH)	FRAME LENGTH	FRAME WIDTH	FRAME DEPTH	MOUNTING TYPE	MODEL	MANUFACTURER
GH	50	48-1/4"	13"	10"	Bracket	2352-NG	Schwank

NOTES

- CONFIRM HEATER QUANTITY WITH CANOPY SHOP DRAWINGS.
- CHICK-FIL-A HAS A NATIONAL ACCOUNT WITH TOM BARROW COMPANY FOR THE GAS FIRED INFRARED HEATERS. THE MECHANICAL CONTRACTOR SHALL PURCHASE THE HEATER PACKAGE DIRECTLY FROM TOM BARROW COMPANY. CONTACT MR. SCOTT GEORGE AT 404-351-1010, FOR PRICING AND AVAILABILITY. HEATERS NOT PURCHASED THRU TOM BARROW COMPANY WILL NOT BE ACCEPTED.

REMARKS

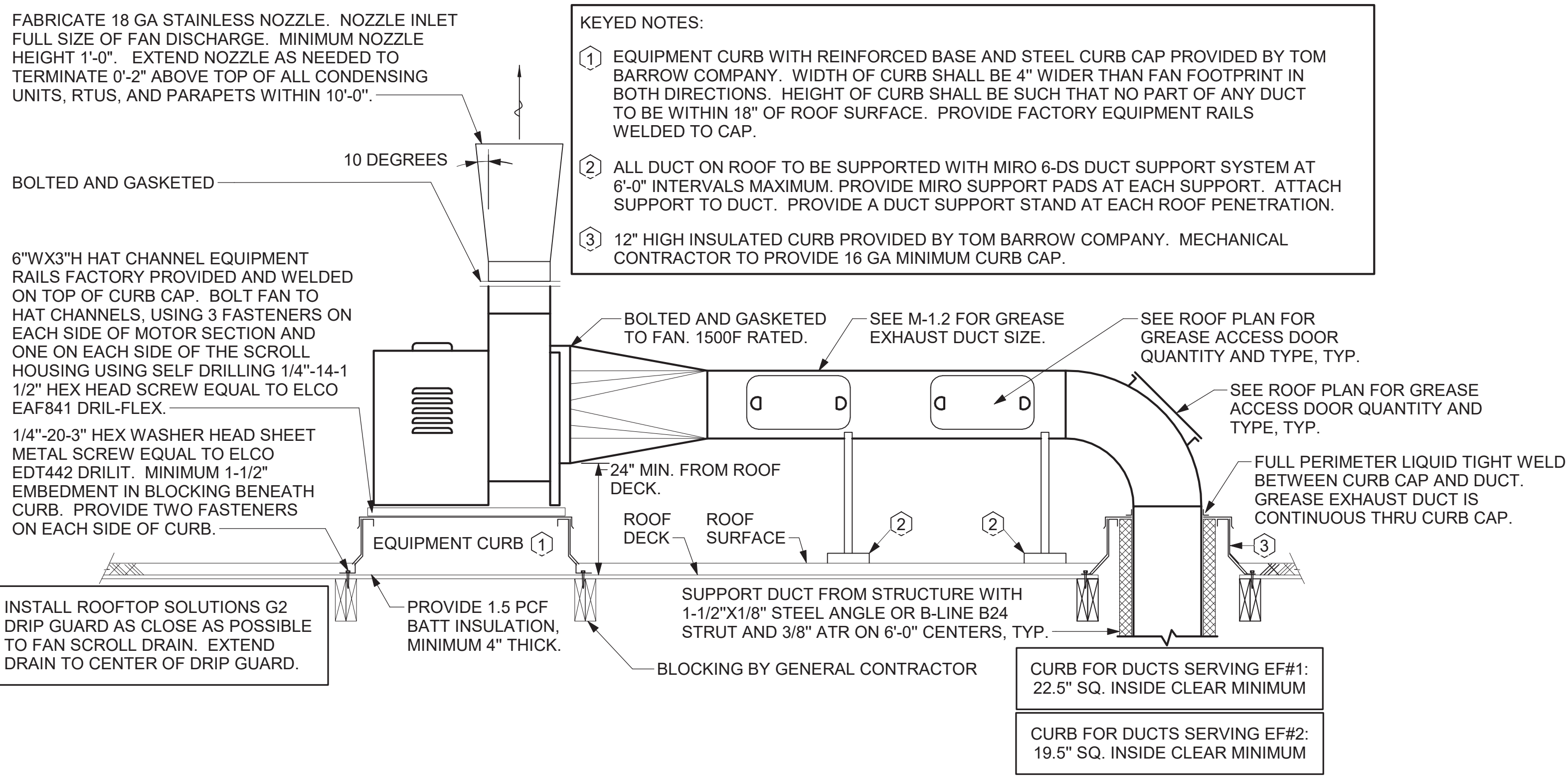
- STEEL BURNER WITH CERAMIC BURNER TILES.
- STAINLESS STEEL LENS WITH BLACK EMISSIVE COATING.
- PROVIDE ENGRAVED PLASTIC LABEL AT EACH UNIT WITH UNIT DESIGNATION IN 1" HIGH WHITE LETTERS ON A BLACK BACKGROUND. MOUNT TO CANOPY DECK, FACING FORWARD, 12" LATERALLY FROM THE LONG SIDE OF THE HEATER.
- STAINLESS STEEL HEAT SHIELDS PROVIDED BY TOM BARROW COMPANY.

1 SAG/RAG/GRILLE TAKE-OFF

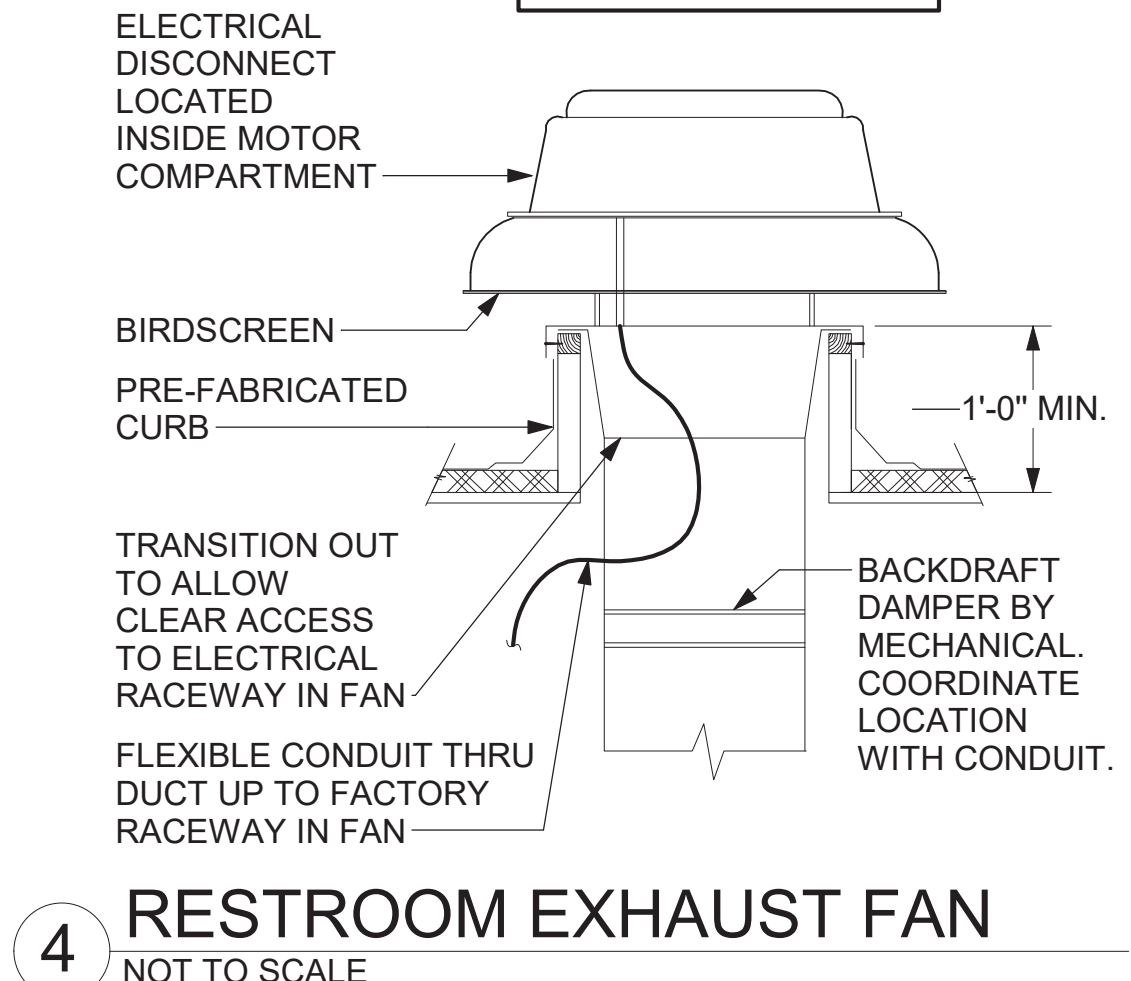
2 START COLLAR

ALL DUCTWORK AND UNFINISHED METAL ON ROOF EXCEPT STAINLESS SHALL BE PREPARED WITH TWO COATS OF SHERWIN WILLIAMS B66-200 SERIES DTM WHITE ACRYLIC SEMI-GLOSS INDUSTRIAL MAINTENANCE COATING. DEGREASE AND PRIME BARE METAL SURFACE WITH ONE COAT OF SHERWIN WILLIAMS DTM ACRYLIC PRIMER PRIOR TO PAINTING.

- KEYED NOTES:
- EQUIPMENT CURB WITH REINFORCED BASE AND STEEL CURB CAP PROVIDED BY TOM BARROW COMPANY. WIDTH OF CURB SHALL BE 4" WIDER THAN FAN FOOTPRINT IN BOTH DIRECTIONS. HEIGHT OF CURB SHALL BE SUCH THAT NO PART OF ANY DUCT TO BE WITHIN 18" OF ROOF SURFACE. PROVIDE FACTORY EQUIPMENT RAILS WELDED TO CAP.
 - ALL DUCT ON ROOF TO BE SUPPORTED WITH MIRO 6-DS DUCT SUPPORT SYSTEM AT 6'-0" INTERVALS MAXIMUM. PROVIDE MIRO SUPPORT PADS AT EACH SUPPORT. ATTACH SUPPORT TO DUCT. PROVIDE A DUCT SUPPORT STAND AT EACH ROOF PENETRATION.
 - 12" HIGH INSULATED CURB PROVIDED BY TOM BARROW COMPANY. MECHANICAL CONTRACTOR TO PROVIDE 16 GA MINIMUM CURB CAP.



RESTROOM EXHAUST FAN
NOT TO SCALE



RECIRCULATING FAN SCHEDULE

MARK	CFM	ESP	RPM	HP	Area Served	MODEL	MANUFACTURER	REMARKS
RF-1	450	0.3	1144	58 W	TECH CLOSET	GCVF-700	LOREN COOK	1,2,3

NOTES

- CHICK-FIL-A HAS A NATIONAL ACCOUNT WITH TOM BARROW COMPANY FOR THE FANS PACKAGE. THE MECHANICAL CONTRACTOR SHALL PURCHASE THE FANS DIRECTLY FROM TOM BARROW COMPANY. CONTACT MR. SCOTT GEORGE AT 404-351-1010, FOR PRICING AND AVAILABILITY. FANS NOT PURCHASED THRU TOM BARROW COMPANY WILL NOT BE ACCEPTED.

REMARKS

- PROVIDE NEMA 1 PREWIRED DISCONNECT.
- INTEGRAL POTENTIOMETER ON FAN MOTOR. SET TO FULL SPEED.
- PROVIDE THERMOSTAT / TEMPERATURE CONTROLLER. SET TO 76°F.

ELECTRIC HEATER SCHEDULE

MARK	KW	FRAME LENGTH	FRAME WIDTH	FRAME DEPTH	MOUNTING G TYPE	MODEL	MANUFACTURER
EIH#1	6.0	56"	8.5"	3.5"	BRACKET	BH0420035	Bromic

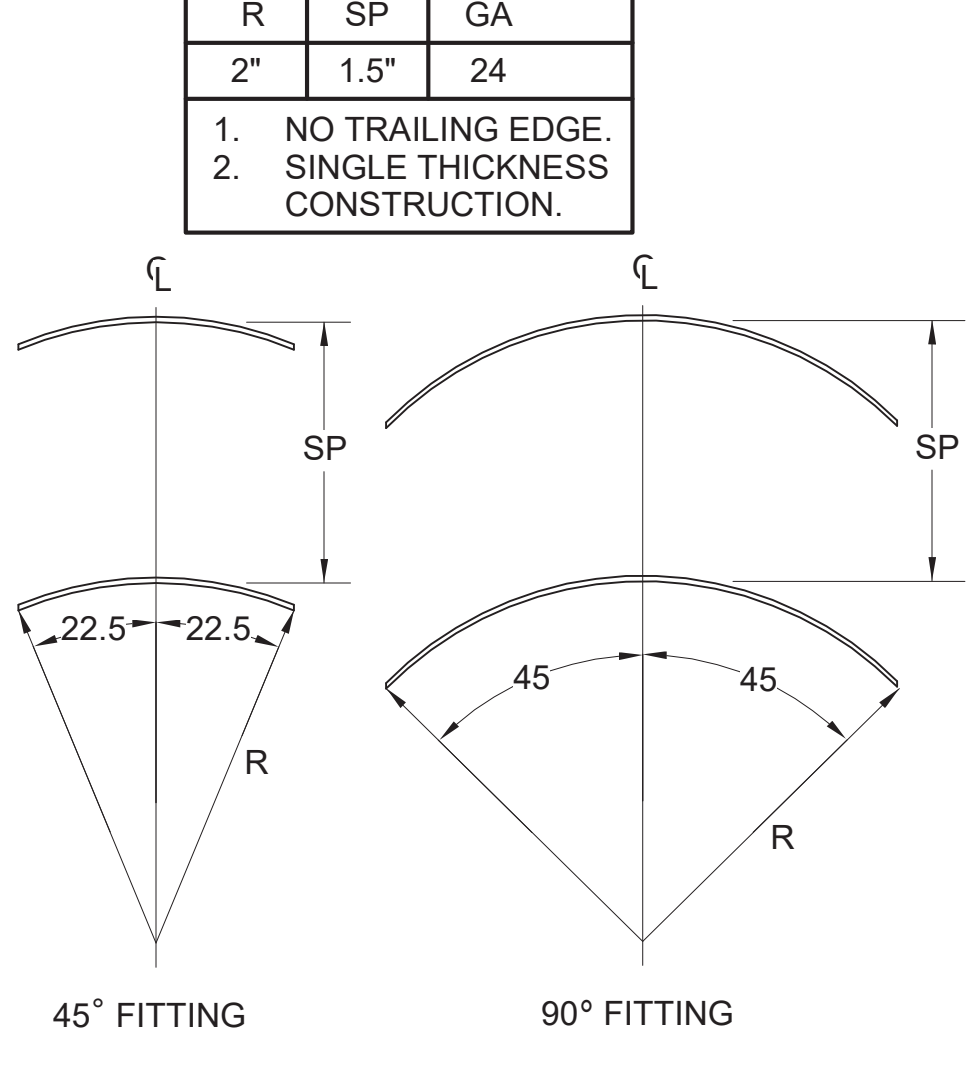
NOTES

- CHICK-FIL-A HAS A NATIONAL ACCOUNT WITH BROMIC HEATING USA FOR THE BROMIC ELECTRIC HEATER. THE MECHANICAL CONTRACTOR SHALL PURCHASE HEATERS DIRECTLY FROM BROMIC HEATING USA. CONTACT MR. BLAKE RUSSIE AT 958-381-4850, FOR PRICING AND AVAILABILITY. BROMIC HEATERS NOT PURCHASED THRU BROMIC HEATING USA WILL NOT BE ACCEPTED.

REMARKS

- STAINLESS STEEL LENS WITH BLACK EMISSIVE COATING.
- PROVIDE ENGRAVED PLASTIC LABEL AT EACH UNIT WITH UNIT DESIGNATION IN 1" HIGH WHITE LETTERS ON A BLACK BACKGROUND.
- PROVIDE BLACK HEATER WITH HIGH TEMPERATURE COATING, AND MANUFACTURER MOUNTING BRACKETS.

TURNING VANE SCHEDULE



RETURN DROP GEOMETRY



Chick-fil-A
5200 Buffington Road
Atlanta, Georgia
30349-2998

INTERPLAN
INTERPLAN LLC
AR99238
CA 8660

ARCHITECTURE
ENGINEERING
PERMITTING

220 E. CENTRAL PKWY., STE 4000
ALTIMONTE SPRINGS, FL 32701
407.645.5008

SEAL:



CHICK-FIL-A
SPRAYBERRY
2530 SANDY PLAINS RD
MARIETTA, GA 30066

FSU#00806
BUILDING TYPE / SIZE: P13 SE SML
RELEASE: 22.05

CONSTRUCTION
REVISION SCHEDULE
NO. DATE DESCRIPTION
5 05/26/23 FIRE COMMENTS

CONSULTANT PROJECT # 2019.0834
DATE 10/2022

DRAWN BY AE
Information contained on this drawing and all digital files produced for above named project may not be reproduced in any form without express written or verbal consent from authorizing project representatives.

HVAC DETAILS AND SCHEDULES

SHEET NUMBER

M-401

GREASE EXHAUST DUCT CLEARANCE NOTE:
 CLEARANCES ABOVE CEILING ARE TIGHT. MECHANICAL CONTRACTOR TO FIELD VERIFY EXACT ROUTING AND CLEARANCES PRIOR TO FABRICATING GREASE EXHAUST DUCT.

CLEANOUT DOOR NOTE:
 DUCT WRAP SHALL BE APPLIED TO THE CLEANOUT DOOR PER THE WRAP MFR'S INSTALLATION INSTRUCTIONS. NO EXCEPTIONS. ALSO, THE CLEANOUT DOOR MUST BE REMOVABLE WITHOUT TOOLS AND MUST BE CLEARLY AND PERMANENTLY LABELED.

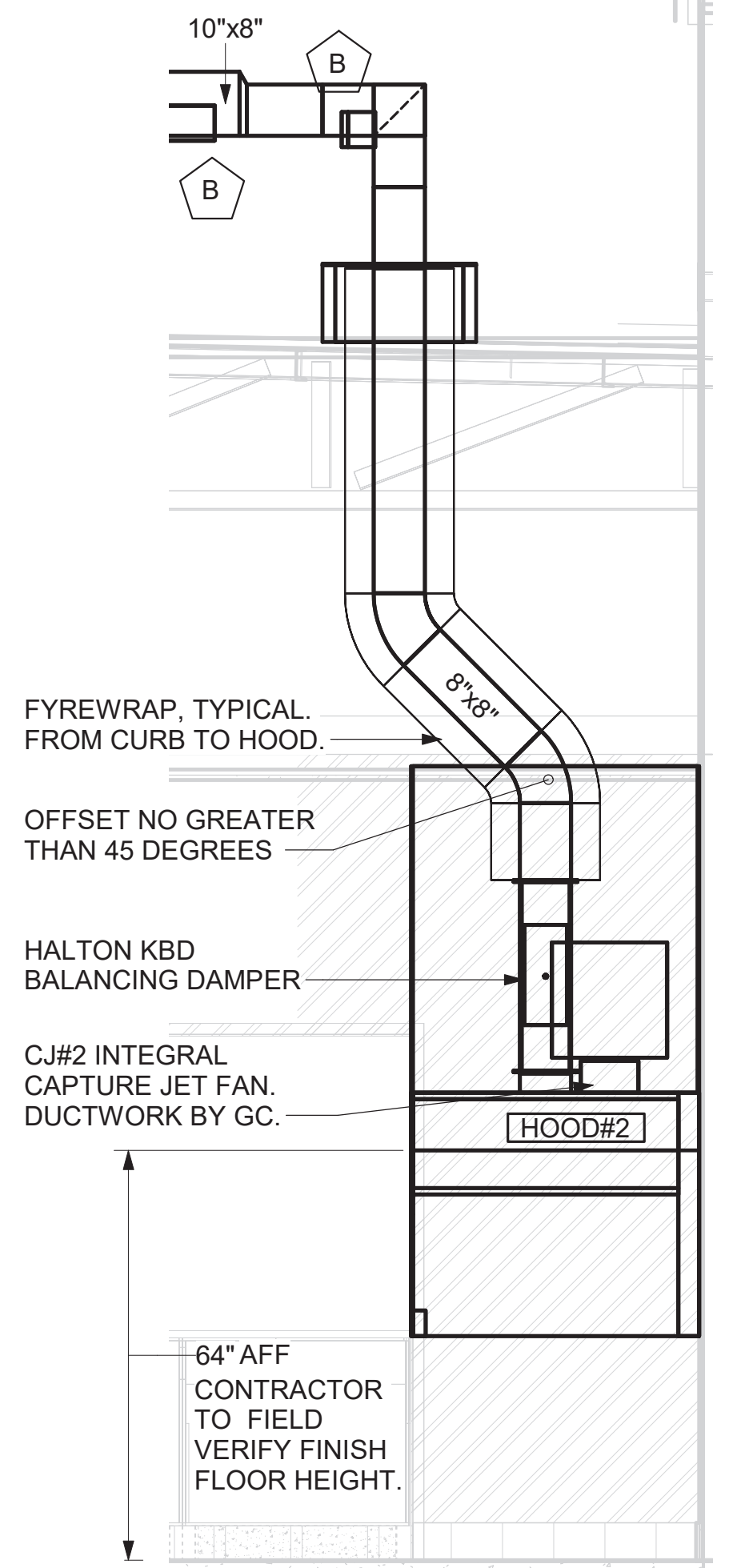
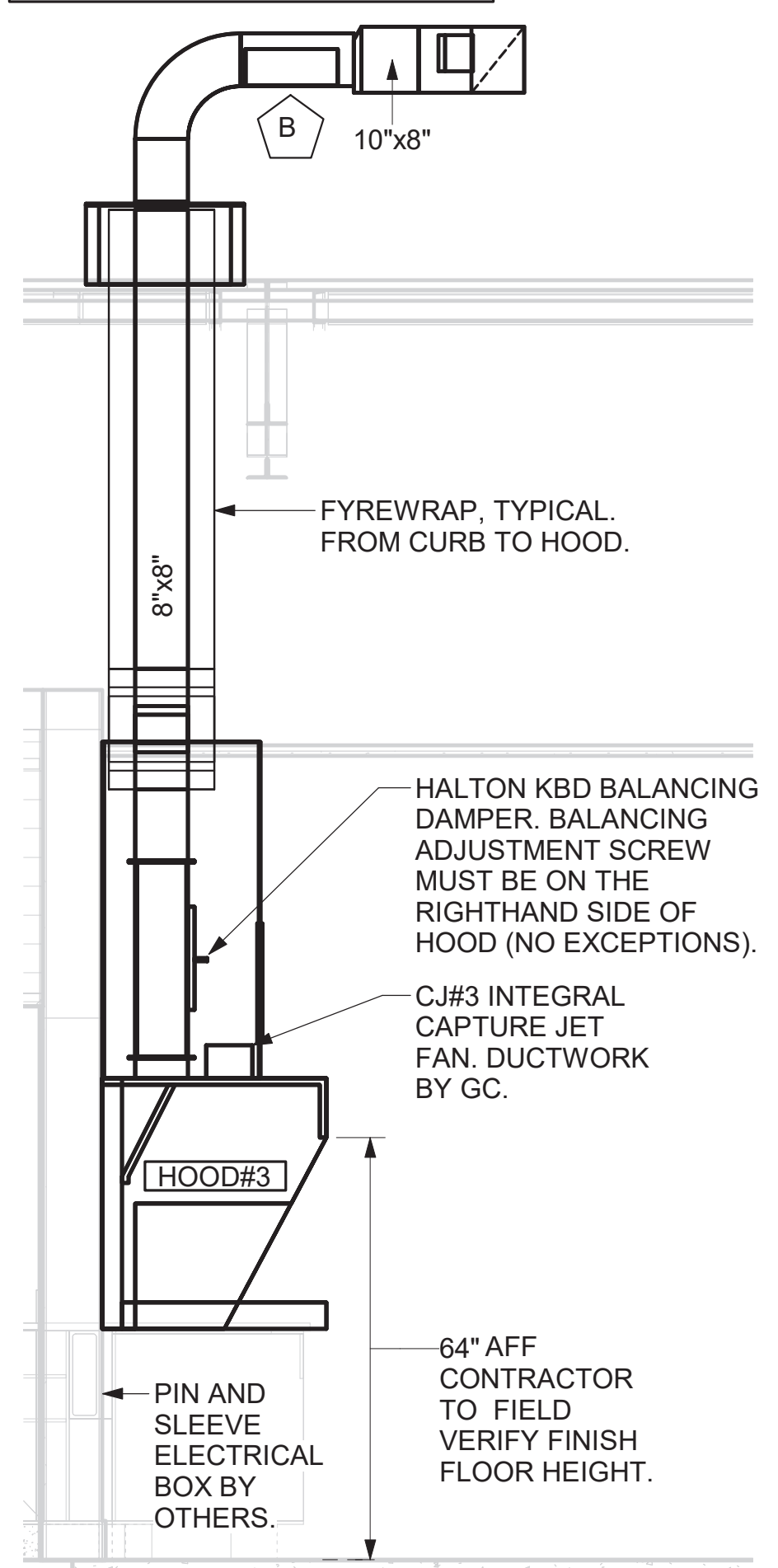
HOOD SCHEDULE - LARGE BLDG												
MARK	EXHAUST CFM	SP @ TAB PORT	CAPTURE JET CFM & S.P.	TYPE	COLLAR SIZE	WIDTH	DEPTH	HEIGHT	MANUFACTURE R	MODEL	REMARKS	
HOOD#1L	1204	0.13"	80 @ 0.30"	BACKSHELF	14"x8"	107"	37"	38"	HALTON	KVL-2 IC	1, 2, 3, 4, 5, 7, 8, 9, 12, 16, 21, 23	
HOOD#1R	709	0.13"	47 @ 0.30"	BACKSHELF	8"x8"	63"	37"	38"	HALTON	KVL-2 IC	1, 2, 3, 5, 7, 8, 9, 12, 20, 21, 22	
HOOD#2	701	.30"	30 @ 0.29"	BACKSHELF	8"x8"	42"	34"	38"	HALTON	KVL-C	1, 2, 3, 6, 7, 8, 9, 12, 13, 15, 16, 18, 21	
HOOD#3	701	.30"	30 @ 0.29"	BACKSHELF	8"x8"	42"	34"	38"	HALTON	KVL-C	1, 2, 3, 4, 6, 7, 8, 10, 12, 14, 17, 21	

NOTES: DIMENSIONS OF HOODS INCLUDE BACK AND SIDE SPACERS (HEIGHT DOES NOT INCLUDE CLOSURE PANELS).

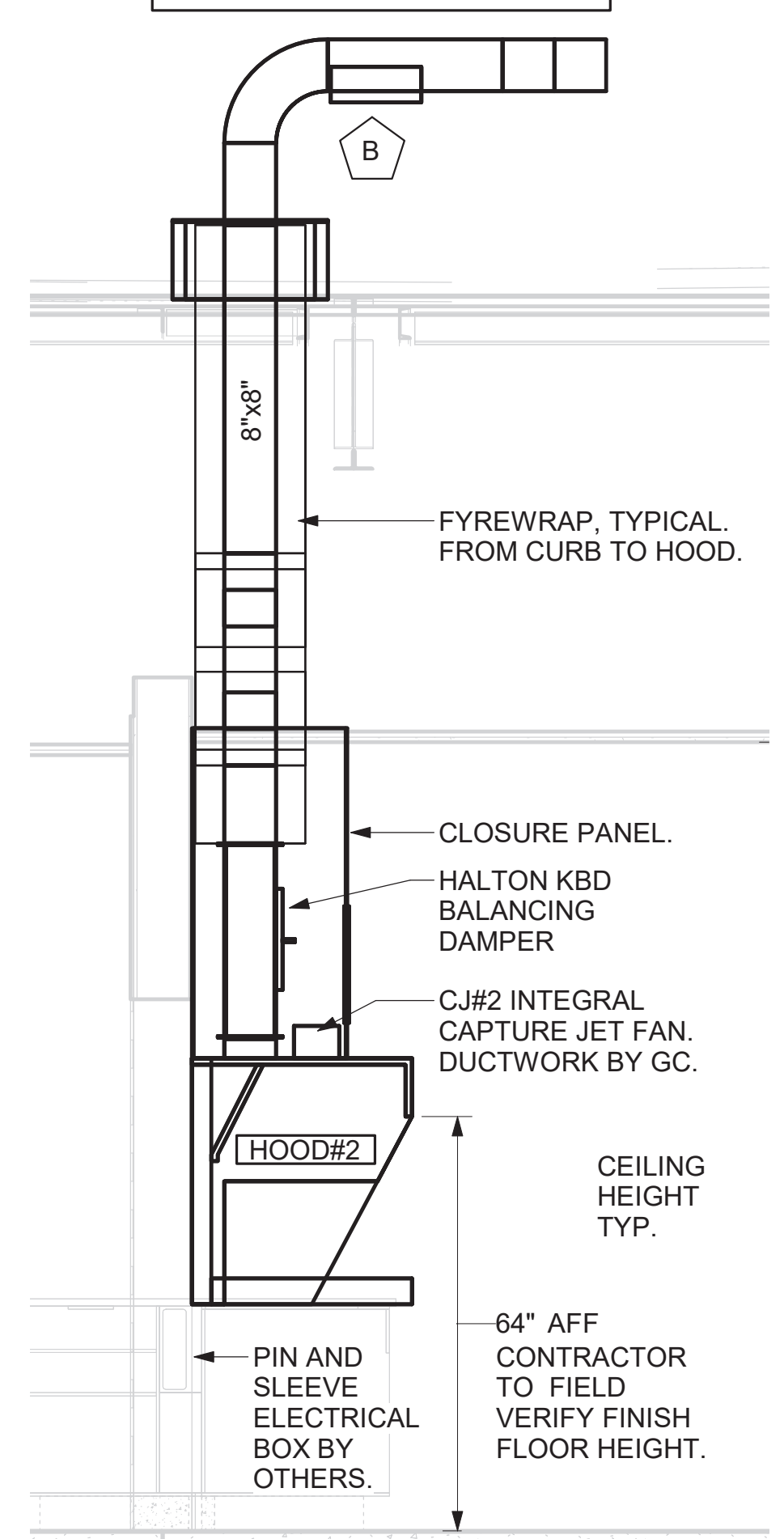
REMARKS:

1. STAINLESS STEEL CONSTRUCTION.
2. PROVIDE FULL HEIGHT SS CLOSURE PANEL WITH ACCESS PANEL IN FRONT LARGE ENOUGH TO REMOVE CAPTURE JET FAN, SERVICE ANSUL COMPONENTS, AND/OR TO ACCESS KBD EQUALIZER JACK SCREW.
3. PROVIDE PRE-PIPED ANSUL R-102 WET FIRE EXTINGUISHING SYSTEM.
4. ANSUL CABINET AND COMPONENTS ABOVE HOOD ON LEFT SIDE.
5. PROVIDE 3" ZERO CLEARANCE TO COMBUSTIBLE BACK SPACER.
6. PROVIDE 3" ZERO CLEARANCE TO COMBUSTIBLE CUSTOM BACK SPACER TO ACCOMMODATE PIN AND SLEEVE ELECTRICAL BOX.
7. PROVIDE EQUIPMENT I.D. LABELS LOCATED ON FRONT LEADING EDGE OF HOOD.
8. PROVIDE FACTORY WALL MOUNTING ANGLE AT TOP OF HOOD.
9. PROVIDE TOP PLENUM CAPTURE JET FAN, SPEED CONTROLLER AND COLLAR.
10. PROVIDE COUNTER MOUNTED SIDE CAPTURE JET PLENUM ASSEMBLY AND FAN ON RIGHT SIDE OF HOOD.
11. PROVIDE FACTORY INSTALLED CAPTURE JET FAN IN PLENUM.
12. PROVIDE CAPTURE JET AIR INLET AND COLLAR AT FRONT OF CLOSURE PANEL.
13. PROVIDE PIN AND SLEEVE ELECTRICAL BOX (DOUBLE CONNECTION). SEE ARCHITECTURAL AND ELECTRICAL DRAWINGS FOR ADDITIONAL INFORMATION.
14. PROVIDE PIN AND SLEEVE ELECTRICAL BOX (SINGLE CONNECTION). SEE ARCHITECTURAL AND ELECTRICAL DRAWINGS FOR ADDITIONAL INFORMATION.
15. PROVIDE 3" ZERO CLEARANCE TO COMBUSTIBLE RIGHT SIDE SPACER.
16. PROVIDE NOTCHED LEFT END SIDE PANEL.
17. PROVIDE NOTCHED RIGHT END SIDE PANEL.
18. PROVIDE 3"x3" HORIZONTAL AND VERTICAL TRIM ANGLE FOR RIGHT SIDE OF HOOD TO FINISH OFF GAP AT WALL.
19. PROVIDE FULL LEFT END SIDE PANEL.
20. PROVIDE FULL RIGHT END SIDE PANEL.
21. PROVIDE HALTON KBD EQUALIZER.
22. CONTINUOUS CAPTURE INTERNAL LEFT END CUTOUT.
23. CONTINUOUS CAPTURE INTERNAL RIGHT END CUTOUT.

SET RIGHT SIDE OF HOOD#3 FLUSH WITH FINISHED EDGE OF PASS THRU OPENING.



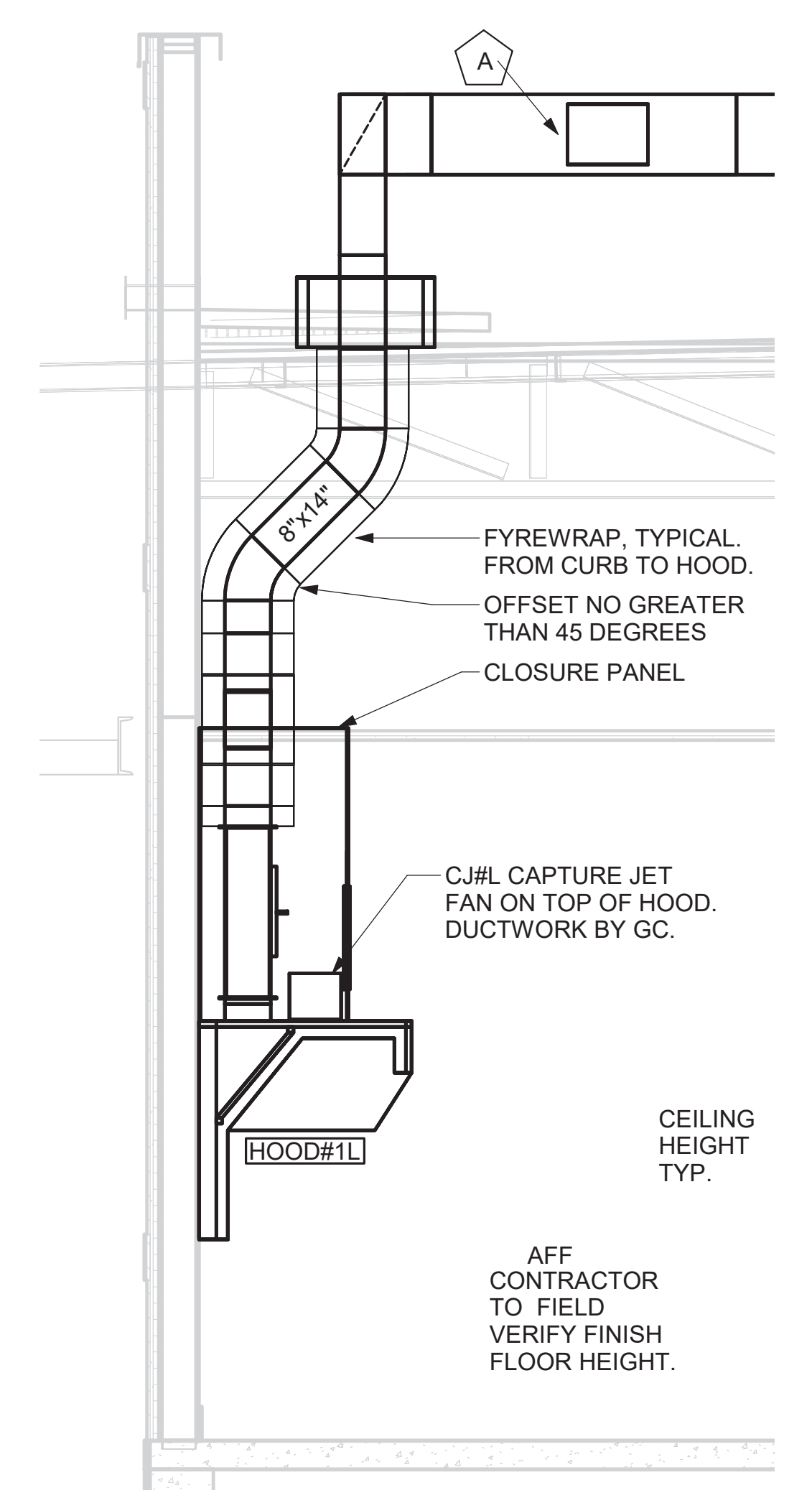
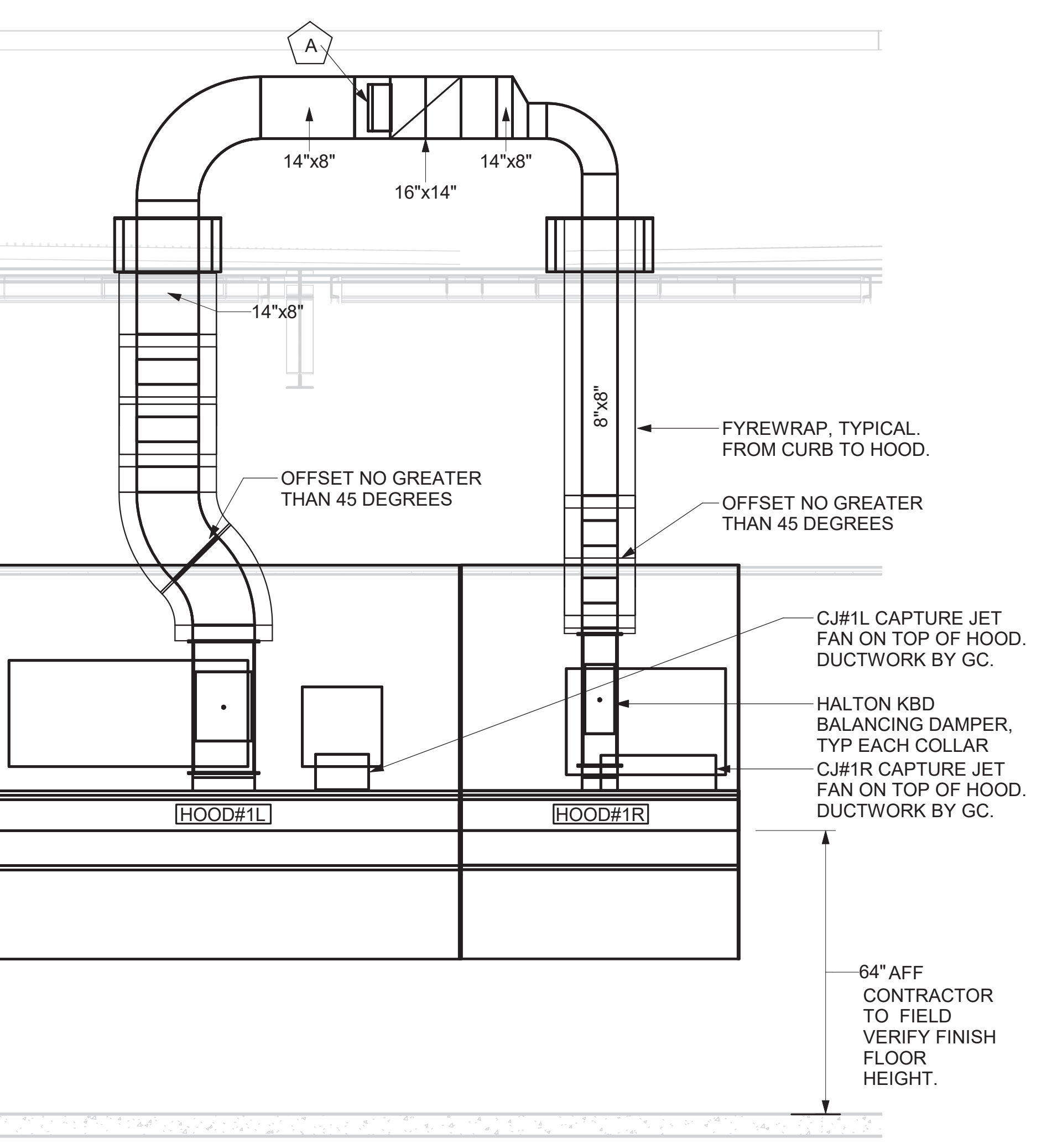
SET LEFT SIDE OF HOOD#2 FLUSH WITH FINISHED EDGE OF PASS THRU OPENING.



7 HOOD ELEVATION - HOOD#3 NOT TO SCALE

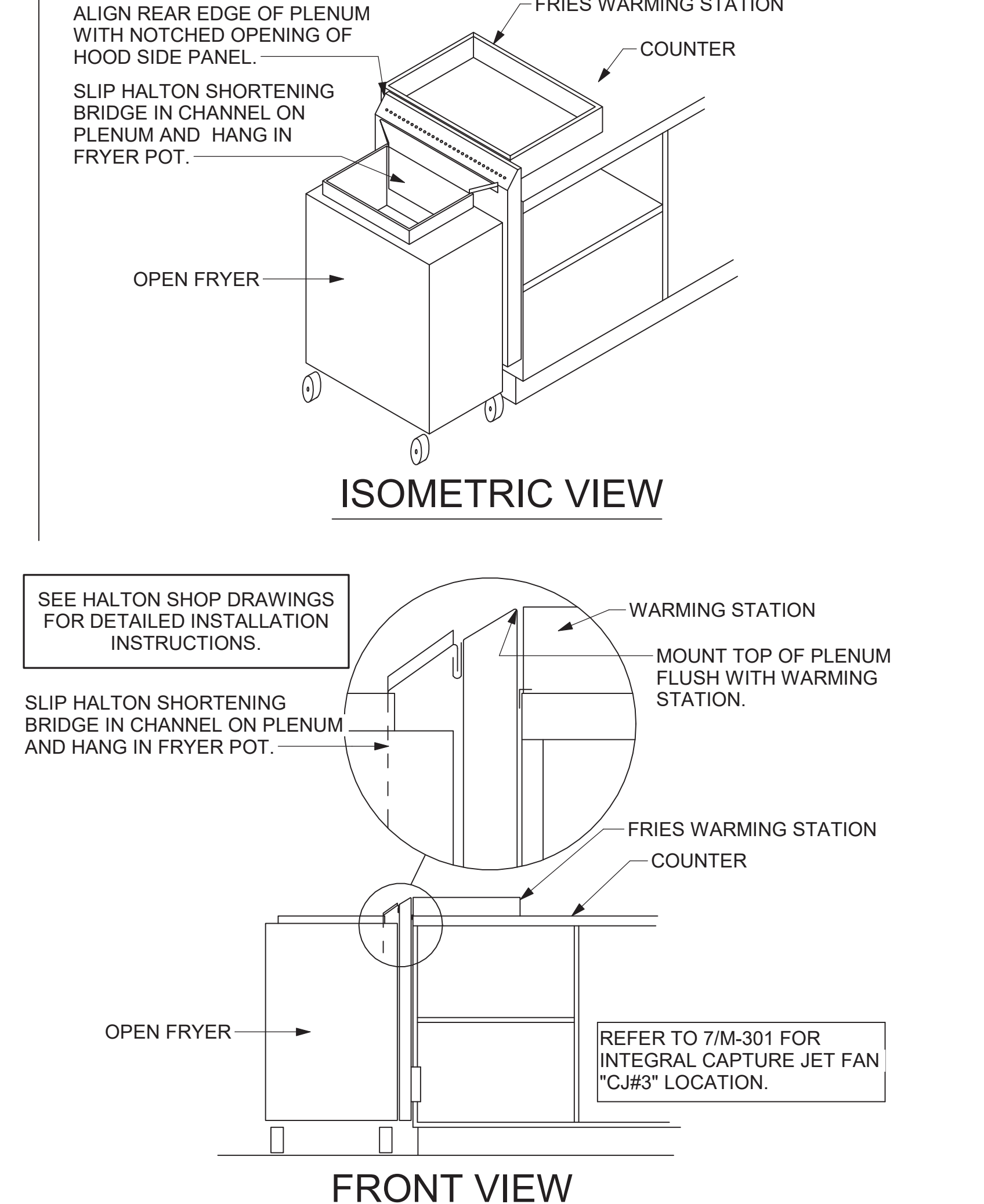
6 HOOD ELEVATION - HOOD#2 - FRONT NOT TO SCALE

5 HOOD ELEVATION - HOOD#2 - SIDE NOT TO SCALE

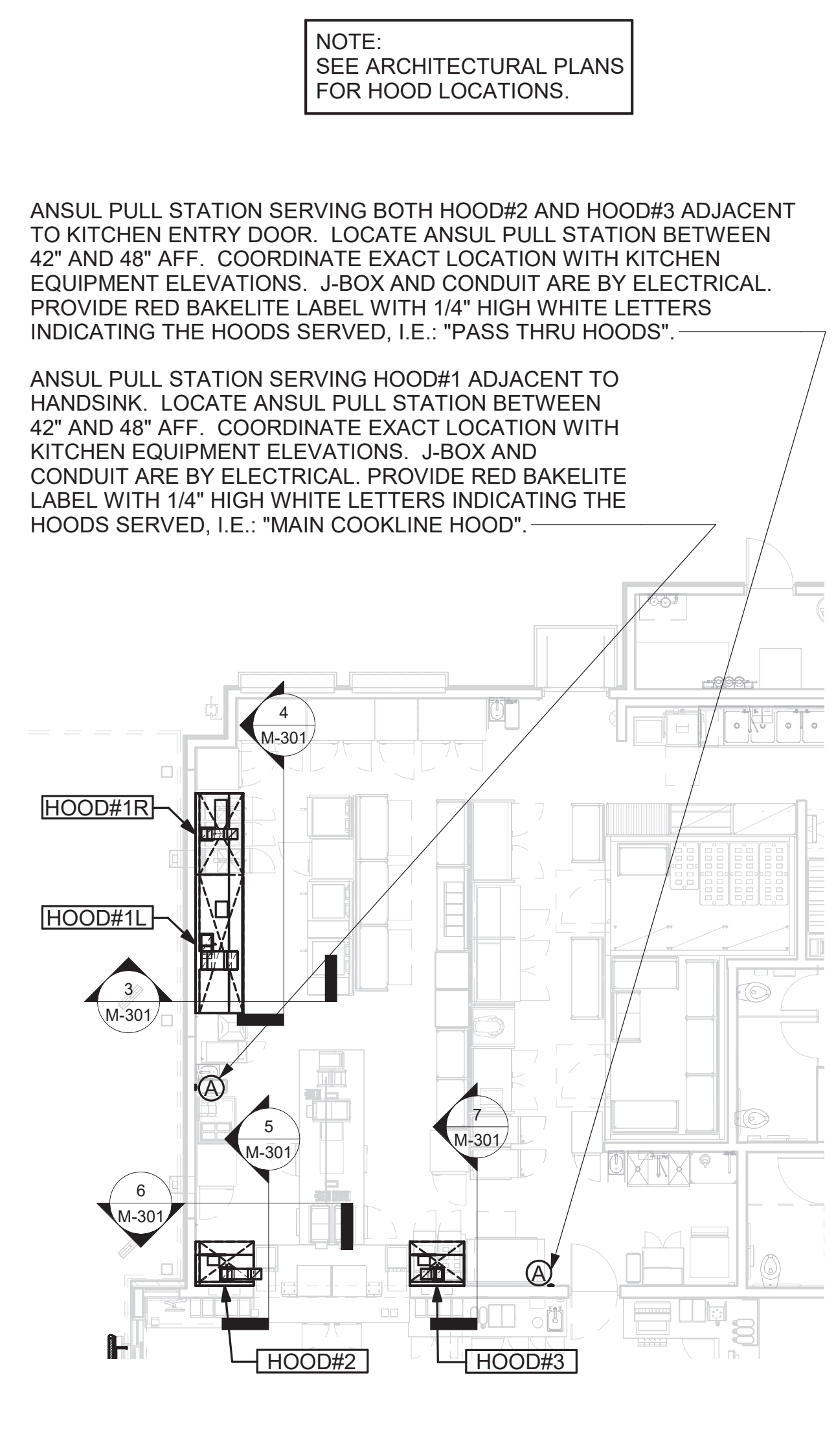


4 HOOD ELEVATION - HOOD#1 - FRONT NONE

3 HOOD ELEVATION - HOOD#1 - SIDE NOT TO SCALE



2 HALTON SIDE CAPTURE JET PLENUM - STANDARD NOT TO SCALE



1 HOOD LAYOUT 1/8" = 1'-0"



Chick-fil-A
 5200 Buffington Road
 Atlanta, Georgia
 30349-2998

INTERPLAN
 INTERPLAN LLC
 AR99238
 CA 8660

ARCHITECTURE
 ENGINEERING
 PERMITTING

220 E. CENTRAL PKWY, STE 4000
 ALTAMONTE SPRINGS, FL 32701
 407.645.5008

SEAL:



CHICK-FIL-A
SPRAYBERRY
 2530 SANDY PLAINS RD
 MARIETTA, GA 30066

FSU#00806
 BUILDING TYPE / SIZE: P13 SE SML
 RELEASE: 22.05

PRINTED FOR
CONSTRUCTION

REVISION SCHEDULE
 NO. DATE DESCRIPTION

CONSULTANT PROJECT # 2019.0834
 DATE 10/2022
 DRAWN BY AE

Information contained on this drawing and all digital files produced for above named project may not be reproduced in any manner without express written or verbal consent from authorized project representatives.

HOOD DETAILS AND SCHEDULES

SHEET NUMBER
M-301

1. SECTION C15000 - MECHANICAL SPECIFICATIONS

PART I - GENERAL

1.01 SCOPE

- A. IT IS THE RESPONSIBILITY OF CONTRACTOR TO READ ALL SPECIFICATIONS AND CONSULT ALL DRAWINGS WHICH MAY AFFECT THE INSTALLATION AND COORDINATION OF HIS WORK WITH OTHER TRADES. CONTRACTOR SHALL COORDINATE AND MAKE MINOR ADJUSTMENTS IN LOCATION OF EQUIPMENT AND MATERIALS AS NECESSARY TO SECURE COORDINATION.
- B. COMPLETED INSTALLATION SHALL CONFORM TO ALL APPLICABLE FEDERAL, STATE AND LOCAL CODES AND ORDINANCES, INCLUDING BUT NOT LIMITED TO THE LATEST APPROVED EDITIONS OF NFPA-96, NFPA-90A, NFPA-54, SMACNA, ASHRAE 90.1 AND ASHRAE 62.
- C. SYSTEM LAYOUT IS SCHEMATIC AND EXACT LOCATIONS SHALL BE DETERMINED BY STRUCTURAL CONDITIONS, COORDINATION WITH OTHER TRADES, COORDINATION WITH FINISHES AND OTHER CONDITIONS. STRUCTURAL SUPPORTS SHALL NOT BE CUT OR ALTERED TO ASSURE FIT OF HVAC SYSTEM. TEN FOOT CLEARANCE SHALL BE MAINTAINED BETWEEN OUTSIDE AIR INTAKES AND EXHAUST FANS AND PLUMBING VENT TERMINALS.
- D. CONTRACTOR SHALL BE RESPONSIBLE FOR ALL DEFECTS, REPAIRS AND REPLACEMENTS IN MATERIALS AND WORKMANSHIP FOR A PERIOD OF ONE (1) YEAR AFTER FINAL PAYMENT IS APPROVED. CONTRACTOR SHALL HONOR FACTORY WARRANTIES ON ALL EQUIPMENT PROVIDED AS PART OF THIS SYSTEM.
- E. UPON COMPLETION OF PROJECT, ALL SYSTEM EQUIPMENT AND MATERIALS SHALL BE IN NEW, CLEAN CONDITION WITH ALL DAMAGE RESTORED TO CONDITION ACCEPTABLE TO THE OWNERS REPRESENTATIVE. ALL EQUIPMENT, COMPONENTS AND DUCTWORK, AND AIR DEVICES SHALL BE INSPECTED AND THOROUGHLY CLEANED, CLEARED OF DEBRIS, AND READY FOR USE. AT COMPLETION OF JOB, ALL MISCELLANEOUS TOOLS, SCAFFOLDING, SURPLUS MATERIALS, RUBBISH AND DEBRIS SHALL BE REMOVED BY CONTRACTOR.
- F. CONTRACTOR SHALL PROVIDE TWO SETS OF 2" MERV 8 OR HIGHER THROW AWAY TYPE FILTERS. A CLEAN SET SHALL BE PROVIDED PRIOR TO TEST AND BALANCE AND AGAIN PRIOR TO OPENING.

PART II - PRODUCTS

2.01 HEATING AND COOLING EQUIPMENT (C15730)

- A. FURNISH AND INSTALL R-410A ROOFTOP SINGLE PACKAGE COMBINATION ELECTRIC COOLING AND NATURAL GAS FIRED HEATING UNITS BY LENNOX AS SHOWN ON DRAWINGS. EQUIPMENT SHALL BE ARI CERTIFIED AND A.G.A. AND U.L. LISTED.
- B. ACCESSORIES SHALL INCLUDE LOW AND HIGH PRESSURE SAFETIES, CRANK CASE HEATER, OVERCURRENT AND OVERTEMPERATURE SAFETY, COMPRESSOR VIBRATION ISOLATORS, FILTER DRIERS, REFRIGERANT SERVICE VALVES, COIL-HAIL GUARDS WHERE SCHEDULED, CONVENIENCE OUTLETS FACTORY INSTALLED ON SCHEDULED UNITS, UNIT MOUNTED NON-FUSED DISCONNECTS, LOW AMBIENT OPERATION DOWN TO 30 DEGREES F AND EVAPORATOR FREEZE STAT.
- C. COMPRESSORS SHALL BE FULLY HERMETIC SCROLL TYPE WITH INTERNAL VIBRATION ISOLATORS. COMPRESSORS SHALL BE PROVIDED WITH A MINIMUM FIVE (5) YEAR FULL WARRANTY.
- D. THE UNIT HEAT EXCHANGERS SHALL BE STEEL WITH ALUMINIZED STEEL COATING. HEATING CONTROLS SHALL CONSIST OF REDUNDANT GAS VALVES, INTERMITTENT PILOT WITH ELECTRONIC SPARK OR HOT PLATE IGNITION SYSTEM, COMBUSTION/EXHAUST FAN PROTECTED BY CENTRIFUGAL SWITCHES, HEAT LIMIT SWITCHES, TIME-DELAY RELAY, FLAME, AND PILOT SENSORS. ALL UNITS SHALL BE CAPABLE OF TWO STAGES OF HEAT. HEAT EXCHANGES SHALL HAVE A TEN (10) YEAR WARRANTY. BURNERS SHALL BE ALUMINIZED IN-SHOT TYPE. THE DRAFT MOTOR SHALL BE MONITORED BY THE CONTROL SYSTEM.
- E. CHICK-FIL-A MAINTAINS A NATIONAL ACCOUNT FOR EQUIPMENT WITH LENNOX CORPORATION. PRICING FOR THE EQUIPMENT HAS BEEN ESTABLISHED IN ADVANCE. CONTACT LENNOX NATIONAL ACCOUNTS AT 972-497-6260 (OR BY FAX AT 972-497-5112) FOR PRICING, ORDERING AND AVAILABILITY.

2.02 DUCTWORK (C15735) (SEE DWG M-301 FOR ADDITIONAL GREASE DUCT SYSTEM REQ.)

- A. ACCEPTABLE MANUFACTURERS OF INSULATION ARE MANVILLE, OWENS CORNING OR KNAUF.
- B. ALL DUCTWORK SHALL BE SHEET METAL, UNLESS NOTED OTHERWISE (U.N.O.).
- C. DUCT DIMENSIONS SHOWN ARE INSIDE CLEAR DIMENSIONS, U.N.O.
- D. CONSTRUCTION OF DUCTWORK SHALL MEET SMACNA 1" W.C. PRESSURE CLASS STANDARD AND RECOMMENDATIONS. SMACNA SHALL BE FOLLOWED WITH RESPECT TO GAGE THICKNESS, JOINTS, REINFORCING, CONSTRUCTION, INSTALLATION AND SUPPORT FOR PRESSURE CLASS STATED. ALL TRANSVERSE JOINTS IN RECTANGULAR AND ROUND DUCT INCLUDING DUCT CONNECTION TO AIR DEVICE COLLAR SHALL BE SEALED PER SMACNA SEAL CLASS C WITH U.L. DUCT MASTIC SEALANT APPROVED FOR INTENDED USE. DUCT TAPE IS NOT AN ACCEPTABLE SUBSTITUTE FOR MASTIC UNLESS EQUAL TO HARDCAST FOIL-GRIP 1402 BUTYL RUBBER ADHESIVE TAPE.
- E. DUCT SHALL BE SUPPORTED AT BASE OF DUCT DROPS. CURB DUCT RAILS ARE NOT INTENDED TO AND SHALL NOT SUPPORT THE WEIGHT OF THE DUCT.
- F. ALL DUCT INSULATION SHALL MEET MINIMUM R-VALUE REQUIRED BY ASHRAE 90.1 LATEST EDITION. ALL DUCT WRAP SHALL BE MINIMUM 2" THICK, 3/4 PCF AND 6 R-VALUE INSTALLED WITH EITHER A VAPOR BARRIER WITH MAXIMUM PERMEANCE 0.05 OR A MINIMUM 2 MIL ALUMINUM REINFORCED FOILKRAFT FACING.
- G. ALL DUCT DROPS FROM THE ROOFTOP UNITS SHALL BE EXTERNALLY INSULATED.
- H. SUPPLY AND RETURN AIR DUCTWORK SERVING ALL AREAS SHALL BE EXTERNALLY INSULATED.
- I. ALL AIR CONVEYANCE COMPONENTS SUCH AS, BUT NOT LIMITED TO DUCT, DUCT PLENUMS, GRILLES/DIFFUSERS, BACK PANS, AND BOOTS SHALL BE INSULATED. INSULATION TYPE IS COVERED ELSEWHERE IN THIS SPECIFICATION.
- J. RESTROOM RECTANGULAR EXHAUST AIR DUCTWORK SHALL BE LINED WITH 1" THICK, 1-1/2 PCF INSULATION. RESTROOM ROUND EXHAUST DUCT SHALL BE EXTERNALLY INSULATED PER SECTION 2.02F.
- K. TRUNK DUCTS SHALL BE ISOLATED FROM UNIT VIBRATION WITH THE USE OF NFPA AND U.L. APPROVED FLEXIBLE CONNECTORS INSTALLED AT THE TOP OF BOTH SUPPLY AND RETURN DROPS.
- L. INSULATED FLEXIBLE DUCT MAY BE UTILIZED FOR RUNOUTS TO GRILLES AND DIFFUSERS ONLY IN THE HORIZONTAL POSITION AND IN MAXIMUM LENGTHS OF 4'-0", NO EXCEPTIONS. SEE TAKE-OFF DETAIL ON DRAWING M-401.
- M. CONSTRUCTION OF FLEXIBLE DUCTWORK SHALL INCLUDE SPIRAL METAL HELIX BONDED TO A POLYESTER CORE, FIBERGLASS INSULATION WITH POLYETHYLENE OR MYLAR VAPOR BARRIER. ALL COMPONENTS SHALL HAVE APPROPRIATE U.L. APPROVAL AND SHALL BE EQUIVALENT TO THERMAFLEX MKE.
- N. FLEXIBLE DUCT SHALL BE INSTALLED PER THE "ADC FLEXIBLE DUCT PERFORMANCE AND INSTALLATION STANDARDS, 4TH ED" USING FOIL TAPE AND DRAWBAND ON THE INNER CORE AND TAPE OR DRAWBAND ON THE OUTER JACKET.
- O. DUCT TAPE SHALL BE EQUAL TO FASSON 181-B FX, 2-1/2" WIDE.
- P. SINGLE THICKNESS TURNING VANES SHALL BE INSTALLED AT 90 DEGREE TURNS IN SUPPLY DUCTWORK WHERE ANY ONE DIMENSION IS GREATER THAN 12".
- Q. RADIUSED ELBOWS MAY BE SUBSTITUTED FOR 90 DEGREE ELBOWS AT THE DISCRETION OF THE CONTRACTOR. CENTERLINE RADIUS EQUAL TO; R=W PER FIGURE NO. 4-2 IN SMACNA HVAC DUCT CONSTRUCTION STANDARDS.
- R. EXTERNAL INSULATION ON BOTTOM OF DUCTS 24" OR WIDER SHALL BE SUPPORTED WITH STICK PINS ON 18" CENTERS. STICK PIN WASHERS SHALL BE COVERED WITH DUCT TAPE OR MASTIC.

2.03 CONTROLS (C15735)

- A. SYSTEMS SHALL BE COMPLETE WITH CONNECTIONS TO CFA-500 TEMPERATURE CONTROL PANEL AS MANUFACTURED BY SUNCOAST ENVIRONMENTAL CONTROLS (S.E.C.) (PH: 877-544-8679). THE PANEL IS PROVIDED AND MOUNTED BY THE ELECTRICAL CONTRACTOR. CONTROL WIRING TERMINATIONS ARE BY THE MECHANICAL CONTRACTOR.
- B. THE SMOKE DETECTORS SHALL BE FACTORY INSTALLED AND WIRED BY THE ROOFTOP UNIT MANUFACTURER.
- C. A FACTORY INSTALLED SMOKE DETECTOR IN THE RETURN AIR SECTION OF EACH AIR CONDITIONING UNIT SHALL STOP THE INDOOR FAN AND CLOSE THE OUTSIDE AIR DAMPER IN THE EVENT OF EXCESSIVE TEMPERATURE OR SMOKE. SMOKE DETECTOR SHALL BE LOCATED PRIOR TO ANY EXHAUST FROM THE BUILDING OR MIXING WITH FRESH AIR MAKE-UP. UPON DETECTION, THE SYSTEM SHALL NOT RESTART UNTIL THE DEVICE IS MANUALLY RESET. DEVICES SHALL BE LOCATED WHERE THEY CAN BE EASILY ACCESSED AND WHERE CLEAR OF FILTERS.
- D. CHICK-FIL-A HAS A NATIONAL ACCOUNT WITH SUNCOAST ENVIRONMENTAL CONTROLS FOR THE SMOKE DETECTOR TEST/RESET ANNUNCIATOR STATIONS. THE TEST/RESET STATIONS WILL BE PURCHASED BY THE ELECTRICAL CONTRACTOR AS A PART OF A NATIONAL ACCOUNT PACKAGE AND TURNED OVER TO THE MECHANICAL CONTRACTOR FOR INSTALLATION.
- E. THE REMOTE TEST/RESET ANNUNCIATORS SHALL BE PROVIDED BY THE ELECTRICAL CONTRACTOR AND INSTALLED BY THE MECHANICAL CONTRACTOR. INSTALLATION BY MECHANICAL SHALL INCLUDE MOUNTING OF THE ANNUNCIATORS AND ALL WIRING FROM EACH DEVICE TO THE RTU. ELECTRICAL WILL PROVIDE A JUNCTION BOX IN THE WALL WITH 1/2" CONDUIT STUBBED UP ABOVE THE CEILING FOR EACH REMOTE TEST STATION AS SHOWN ON THE ELECTRICAL PLANS. ANNUNCIATOR SHALL BE SUNCOAST CONTROLS REMOTE TEST/RESET STATION WITH POWER LED, TROUBLE LED, ALARM LED, 90DB HORN AND TEST/RESET BUTTUN.
- F. THE RESTROOM FAN SHALL BE INTERLOCKED TO THE LIGHTS SERVING THE MEN AND WOMEN'S RESTROOMS. THE HOOD FANS SHALL BE CONTROLLED VIA THE SUNCOAST CFA-500 CONTROL PANEL. WIRING, RELAYS AND SWITCHES FOR CONTROL OF ALL FANS ARE BY ELECTRICAL CONTRACTOR.
- G. LENNOX UNITS - THERMOSTATS ARE PROVIDED AND INTEGRATED INTO THE TEMPERATURE CONTROL PANEL BY SUNCOAST ENVIRONMENT CONTROLS. SUNCOAST WILL PROVIDE A NETWORK THERMOSTAT US32-CFA THERMOSTAT PRE-WIRED IN THE TEMPERATURE CONTROL PANEL. A REMOTE TEMPERATURE SENSOR FOR EACH THERMOSTAT IS ALSO PROVIDED. MECHANICAL CONTRACTOR SHALL INSTALL ALL WIRING BETWEEN THE THERMOSTAT, THE REMOTE SENSOR AND THE ROOFTOP UNIT.
- H. MECHANICAL CONTRACTOR SHALL INSTALL CONTROL WIRING IN 1/2" CONDUIT WHERE REQUIRED BY CODE. WHERE NOT REQUIRED TO BE IN CONDUIT, ALL WIRING SHALL BE RUN PARALLEL TO STRUCTURAL MEMBERS OR PERPENDICULAR WITH NO DIAGONAL ROUTING. ALL WIRING SHALL BE SECURED TO THE FRAMING TO PREVENT SAGGING IN RUNS. WIRING TO ROOFTOP UNITS SHALL BE ROUTED THROUGH THE FACTORY THRU-BASE FITTING IN THE UNIT BASE. NO SPLICING OF WIRING WILL BE ACCEPTED. ALL WIRING ABOVE THE ROOF SHALL BE INSTALLED IN EXTERIOR GRADE FLEXIBLE CONDUIT. ALL CONTROL WIRING AND CONTROL WIRING CONDUIT SHALL BE FURNISHED AND INSTALLED BY THE MECHANICAL CONTRACTOR. WIRING SHALL BE INSTALLED IN ACCORDANCE WITH LATEST EDITION OF NEC. ALL LOW VOLTAGE CONTROL WIRING SHALL BE NO LESS THAN 18 AWG MIN. CONTROL WIRING CONDUCTORS SHALL BE SIZED TO ACCOUNT FOR LOAD AND LENGTH OF RUN TO ALLOW SUFFICIENT VOLTAGE AVAILABLE AT CONTROLLED DEVICE TO OPERATE THE SYSTEM RELIABLY.

PART III - EXECUTION

3.01 SCOPE

- A. FURNISH AND INSTALL SYSTEM IN ACCORDANCE WITH REFERENCED STANDARDS, APPLICABLE CODES, MANUFACTURER'S RECOMMENDATIONS AND AS INDICATED ON DRAWINGS.
 - B. CONTRACTOR SHALL INSTRUCT THE OWNER'S REPRESENTATIVE IN ALL MATTERS PERTAINING TO THE PROPER MAINTENANCE OF EQUIPMENT FURNISHED UNDER THIS CONTRACT THROUGH DEMONSTRATION AND EXPLANATION OF OPERATING & MAINTENANCE MANUALS.
 - C. CONTRACTOR SHALL PROVIDE A "SAMPLE MAINTENANCE PROPOSAL" TO THE OWNER'S REPRESENTATIVE IN ALL MATTERS PERTAINING TO THE PROPER MAINTENANCE OF EQUIPMENT FURNISHED UNDER THIS CONTRACT.
 - D. CONTRACTOR SHALL COMPLETE A/C EQUIPMENT STARTUP DOCUMENTATION PROVIDED BY OWNER AND/OR MANUFACTURER. THIS SHALL INCLUDE RE-TORQUE OF ALL FIELD AND FACTORY HIGH VOLTAGE CONNECTIONS.
- 3.02 LEED PROJECTS
- A. CONTRACTOR SHALL COMPLETE RECEIPT INSPECTION CHECKLISTS PROVIDED IN THE COMMISSIONING PLAN WITHIN 5 DAYS OF RECEIVING EQUIPMENT ON SITE.
 - B. CONTRACTOR SHALL COMPLETE PRE-FUNCTIONAL CHECKLISTS PROVIDED IN THE COMMISSIONING PLAN. CHECKLISTS SHALL BE RETURNED AT LEAST 5 DAYS PRIOR TO SCHEDULING FUNCTIONAL PERFORMANCE TESTING.
 - C. CONTRACTOR SHALL PROVIDE A TECHNICIAN TO ASSIST THE THIRD PARTY COMMISSIONING AUTHORITY WITH FUNCTIONAL TESTING. FUNCTIONAL TESTING SHALL OCCUR AFTER ALL CONTROLS HAVE BEEN INSTALLED AND VERIFIED AND AFTER TEST AND BALANCE IS COMPLETE. THE FUNCTIONAL PERFORMANCE TEST PROCEDURES CAN BE FOUND IN THE COMMISSIONING PLAN.
 - D. IF THE TOTAL TIME REQUIRED TO CORRECT PROBLEMS DURING TESTING IS GREATER THAN FORTY-FIVE (45) MINUTES (UNLESS EXTENUATING CIRCUMSTANCES EXIST), THE TEST SHALL BE CONSIDERED FAILED AND MUST BE REPEATED IN ITS ENTIRETY.
 - E. RE-TESTING: DURING THE COURSE OF THE RETEST, IF AT ANY POINT A MAJOR DEFICIENCY IS DISCOVERED, THE TEST WILL BE STOPPED. REPEAT TESTS UNTIL ACCEPTABLE RESULTS ARE ACHIEVED. IF MORE THAN TWO FUNCTIONAL PERFORMANCE TESTS (ONE INITIAL TEST AND ONE RETEST) FOR ANY TYPE OF EQUIPMENT DUE TO ISSUES THAT THE CONTRACTOR HAD DIRECT OR INDIRECT CONTROL OVER ARE REQUIRED, THE COSTS FOR THE CXA TO WITNESS RETESTING OF SIMILAR TYPES OF EQUIPMENT UNTIL SATISFACTORY RESULTS ARE OBTAINED SHALL BE THE RESPONSIBILITY OF THE CONTRACTOR.
- 3.03 TEST & BALANCE

- A. OWNER SHALL TEST AND BALANCE MECHANICAL SYSTEM IN ACCORDANCE WITH NEBB, NBC OR AABC STANDARDS TO ASSURE CONFORMANCE WITH DESIGN. G.C. WILL MAKE MECHANICAL CONTRACTOR AVAILABLE DURING TEST AND BALANCE TO ASSIST TESTING AGENCY AND TO MAKE CORRECTIONS IMMEDIATELY NECESSARY. CONTRACTOR SHALL CORRECT ITEMS ON WRITTEN TEST AND BALANCE REPORT.
- B. ALL EQUIPMENT TO BE BALANCED MUST HAVE GONE THRU SUCCESSFUL START-UP PROCEDURE BY THE MECHANICAL CONTRACTOR (MC) PRIOR TO TAB VISIT.
- C. THE FLOOR OF THE RESTAURANT SHALL BE CLEARED OF DEBRIS, STAGED CONSTRUCTION MATERIALS, EQUIPMENT, ETC. WHICH MAY, IN THE OPINION OF THE TAB TECHNICIAN, OBSTRUCT ACCESS TO AIR DISTRIBUTION COMPONENTS IN AND ABOVE THE CEILING.
- D. EQUIPMENT ACCESS PANELS, DUCT AIR DEVICES SUCH AS BALANCING DAMPERS AND ACTUATORS SHALL BE ACCESSIBLE AND CLEAR OF PIPING, CONDUIT, FRAMING, SUPPORTS ETC...
- E. PROVIDE AN 8 FT PORTABLE A-FRAME STYLE LADDER DEDICATED FOR THE TAB TECHNICIAN'S USE DURING THE ENTIRE TAB EFFORT DURATION.
- F. THE MC SHALL BE AVAILABLE DURING THE ENTIRE DURATION OF THE TAB EFFORT AND HAVE ON-SITE THE RESOURCES AND TOOLS TO MAKE CORRECTIONS AS NEEDED UNDER THE DIRECTION OF THE TAB TECHNICIAN.

NATIONAL ACCOUNTS	
1.	LENNOX EQUIPMENT - CONTACT LENNOX NATIONAL ACCOUNTS AT 972-497-6260 (OR BY FAX AT 972-497-5112) FOR PRICING, ORDERING AND AVAILABILITY. LENNOX EQUIPMENT NOT PURCHASED THRU LENNOX NATIONAL ACCOUNTS WILL NOT BE ACCEPTED.
2.	LOREN COOK FAN AND CURB PACKAGE - THE MECHANICAL CONTRACTOR IS REQUIRED TO PURCHASE THE FAN/CURB PACKAGE DIRECTLY FROM TOM BARRON COMPANY. CONTACT MR. SCOTT GEORGE AT 404-351-1010 FOR PRICING AND AVAILABILITY. FANS AND CURBS NOT PURCHASED THRU TOM BARRON COMPANY WILL NOT BE ACCEPTED.
3.	PRICE AIR DEVICES - THE MECHANICAL CONTRACTOR IS REQUIRED TO PURCHASE THE AIR DEVICES DIRECTLY FROM TOM BARRON COMPANY. CONTACT MR. SCOTT GEORGE AT 404-351-1010 FOR PRICING AND AVAILABILITY. AIR DEVICES NOT PURCHASED THRU TOM BARRON COMPANY WILL NOT BE ACCEPTED.
4.	AIR DOORS - THE MECHANICAL CONTRACTOR IS REQUIRED TO PURCHASE THE AIR DOORS DIRECTLY FROM TOM BARRON COMPANY. CONTACT MR. SCOTT GEORGE AT 404-351-1010 FOR PRICING AND AVAILABILITY. AIR DOORS NOT PURCHASED THRU TOM BARRON COMPANY WILL NOT BE ACCEPTED.
5.	SUNCOAST ENVIRONMENTAL CONTROLS - THE CFA 500 PANEL AND THE TEST/RESET STATIONS WILL BE PURCHASED AND PROVIDED BY THE ELECTRICAL CONTRACTOR AS A PART OF A NATIONAL ACCOUNT PACKAGE. SEE PART II PARAGRAPH 3A, 3D, AND 3E OF THE MECHANICAL SPECIFICATIONS FOR MORE INFORMATION.
6.	HALTON HOODS - CHICK-FIL-A WILL PURCHASE AND PROVIDE THE HOODS FOR INSTALLATION BY THE MECHANICAL CONTRACTOR. THE MECHANICAL CONTRACTOR SHALL BE RESPONSIBLE FOR RECEIVING THE HOODS. CONTACT HALTON CO. AT 270-237-5600 FOR MORE INFO.
7.	ROYAL METAL PRODUCTS START COLLARS - THE MECHANICAL CONTRACTOR IS REQUIRED TO PURCHASE THE START COLLARS DIRECTLY FROM TOM BARRON COMPANY. CONTACT MR. SCOTT GEORGE AT 404-351-1010 FOR PRICING AND AVAILABILITY. START COLLARS NOT PURCHASED THRU TOM BARRON COMPANY WILL NOT BE ACCEPTED.
8.	SCHWANK INFRARED HEATER PACKAGE - THE MECHANICAL CONTRACTOR IS REQUIRED TO PURCHASE THE HEATER PACKAGE DIRECTLY FROM TOM BARRON COMPANY. CONTACT MR. SCOTT GEORGE AT 404-351-1010 FOR PRICING AND AVAILABILITY. HEATERS NOT PURCHASED THRU TOM BARRON COMPANY WILL NOT BE ACCEPTED.
9.	BROMIC ELECTRIC HEATER - THE MECHANICAL CONTRACTOR IS REQUIRED TO PURCHASE THE HEATER DIRECTLY FROM BROMIC HEATING USA. CONTACT MR. BLAKE RUSSIE AT 858-381-4850 FOR PRICING AND AVAILABILITY. HEATERS NOT PURCHASED THRU BROMIC HEATING USA WILL NOT BE ACCEPTED.
10.	TRANE EQUIPMENT - CONTACT MR. SCOTT ROWLEY AT 630-200-7155 FOR PRICING, ORDERING AND AVAILABILITY. TRANE EQUIPMENT NOT PURCHASED THRU TRANE NATIONAL ACCOUNTS WILL NOT BE ACCEPTED.

6/17/2023 1:56:27 PM Autodesk Docs://GA_00806_Sprayberry FSU_2022.9_FSR/00806_Sprayberry FSU_MEC.rvt 30-SE-00806-M-901-MECHANICAL SPECIFICATIONS



Chick-fil-A
5200 Buffington Road
Atlanta, Georgia
30349-2998



INTERPLAN LLC
AR99238
CA 8660



220 E. CENTRAL PKWY., STE 4000
ALTA MONTONE SPRINGS, FL 32701
407.645.5008

SEAL:



CHICK-FIL-A
SPRAYBERRY
2530 SANDY PLAINS RD
MARIETTA, GA 30066

FSU#00806

BUILDING TYPE / SIZE: P13 SE SML
RELEASE: 22.05

PRINTED FOR CONSTRUCTION

REVISION SCHEDULE
NO. DATE DESCRIPTION

CONSULTANT PROJECT # 2019.0834
DATE 10/2022

DRAWN BY AE
Information contained on this drawing arch is digital file produced for above named project may not be reproduced in any manner without express written or verbal consent from authorized project representatives.

SHEET MECHANICAL SPECIFICATIONS

SHEET NUMBER

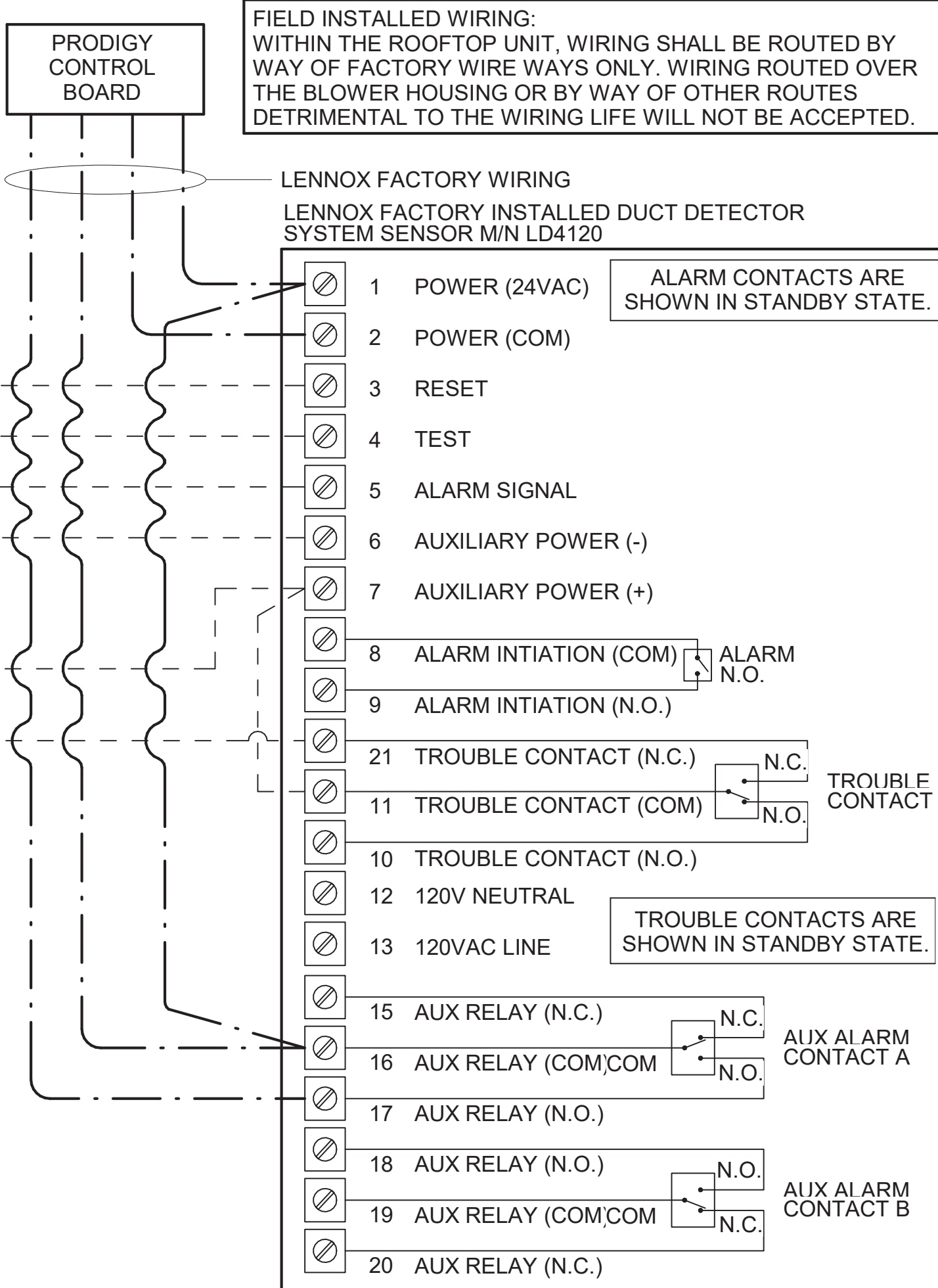
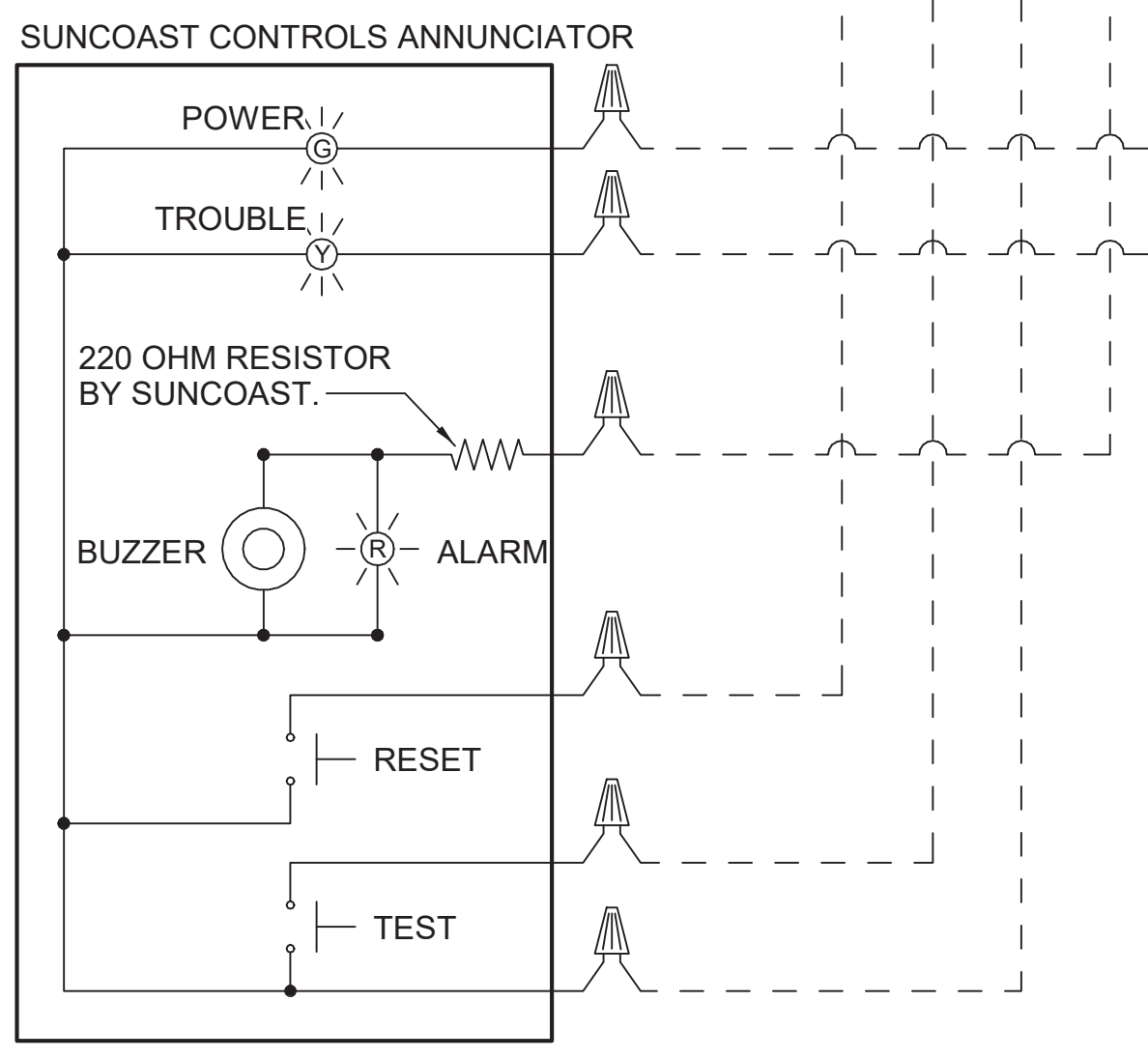
M-901

COPYRIGHT © 2023 INTERPLAN LLC. RESERVES COPYRIGHT & OTHER RIGHTS RESTRICTING THESE DOCUMENTS TO THE ORIGINAL SITE OR PURPOSE FOR WHICH THEY WERE PREPARED. REPRODUCTIONS, CHANGES OR ASSIGNMENTS ARE PROHIBITED.

SUPPLY SIDE DETECTORS:
IF SUPPLY SIDE SMOKE DETECTORS ARE SHOWN ON DWG M-201, AND CALLED FOR ON RTU SCHEDULE, THE CONTRACTOR IS TO RELOCATE FACTORY INSTALLED SUPPLY SMOKE DETECTOR FROM BLOWER SECTION TO DUCTWORK. SEE NOTES ON DWG M-201.

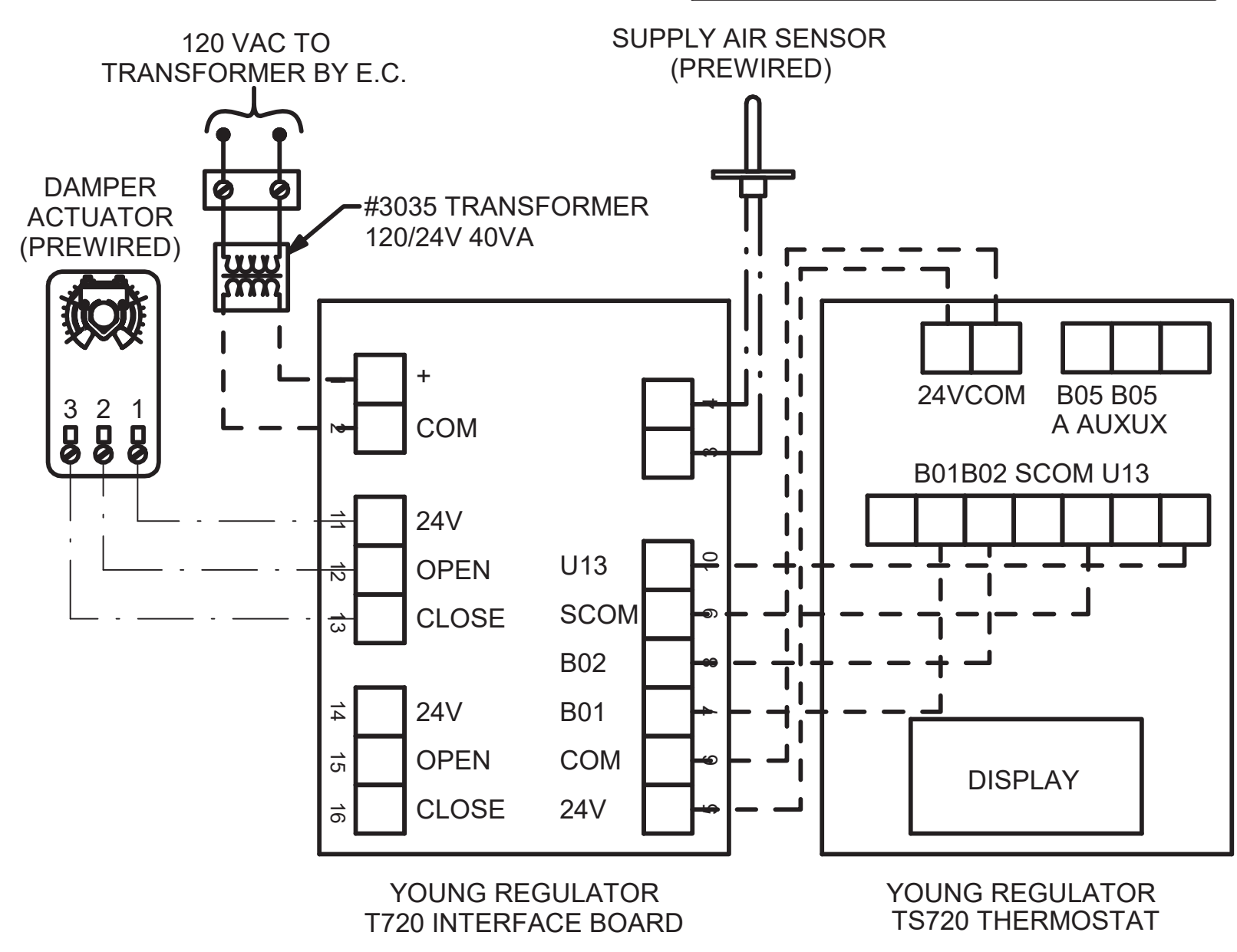
LEGEND
 - - - 18 AWG MIN WIRING BY MECH CONTRACTOR
 - - - FACTORY ANNUNCIATOR DETECTOR WIRING
 - - - FACTORY LENNOX WIRING

LABELING:
PROVIDE ENGRAVED LABEL WITH 1" HIGH WHITE LETTERS ON BLACK BACKGROUND IDENTIFYING UNIT SERVED.



PROVIDE A PROFESSIONALLY LAMINATED COPY OF THESE DETAILS TO BE INSTALLED INSIDE THE ROOFTOP UNIT CONTROL CABINET. USE A SETON CHART FRAME STYLE # 68624. TELEPHONE NUMBER 800-243-6624. FOR MOUNTING THE DETAIL, ATTACH THE FRAME TO THE INTERIOR OF THE UNIT IN PLAIN AND EASY VIEW OF THE CONTROLS SECTION. CONTACT ENGINEER OF RECORD FOR A REPRODUCIBLE COPY OF THE DETAIL.

1 SMOKE DETECTOR AND ANNUNCIATOR WIRING DIAGRAM
NOT TO SCALE



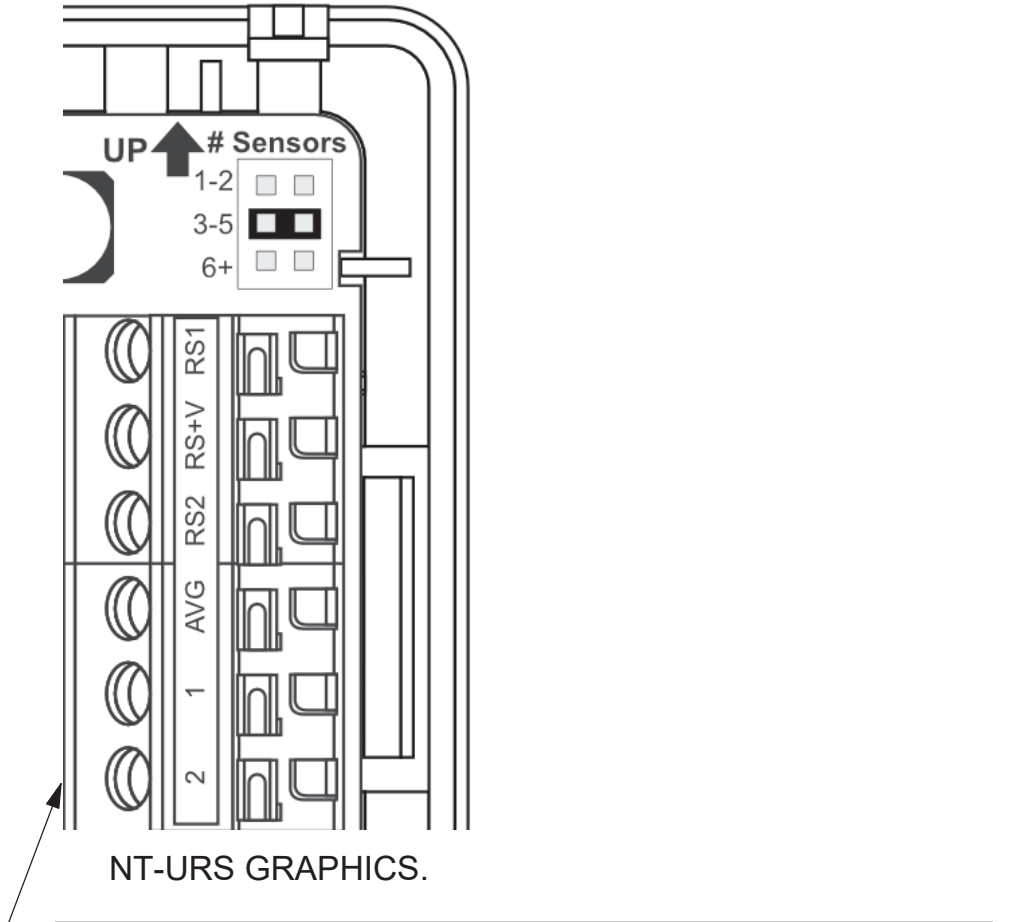
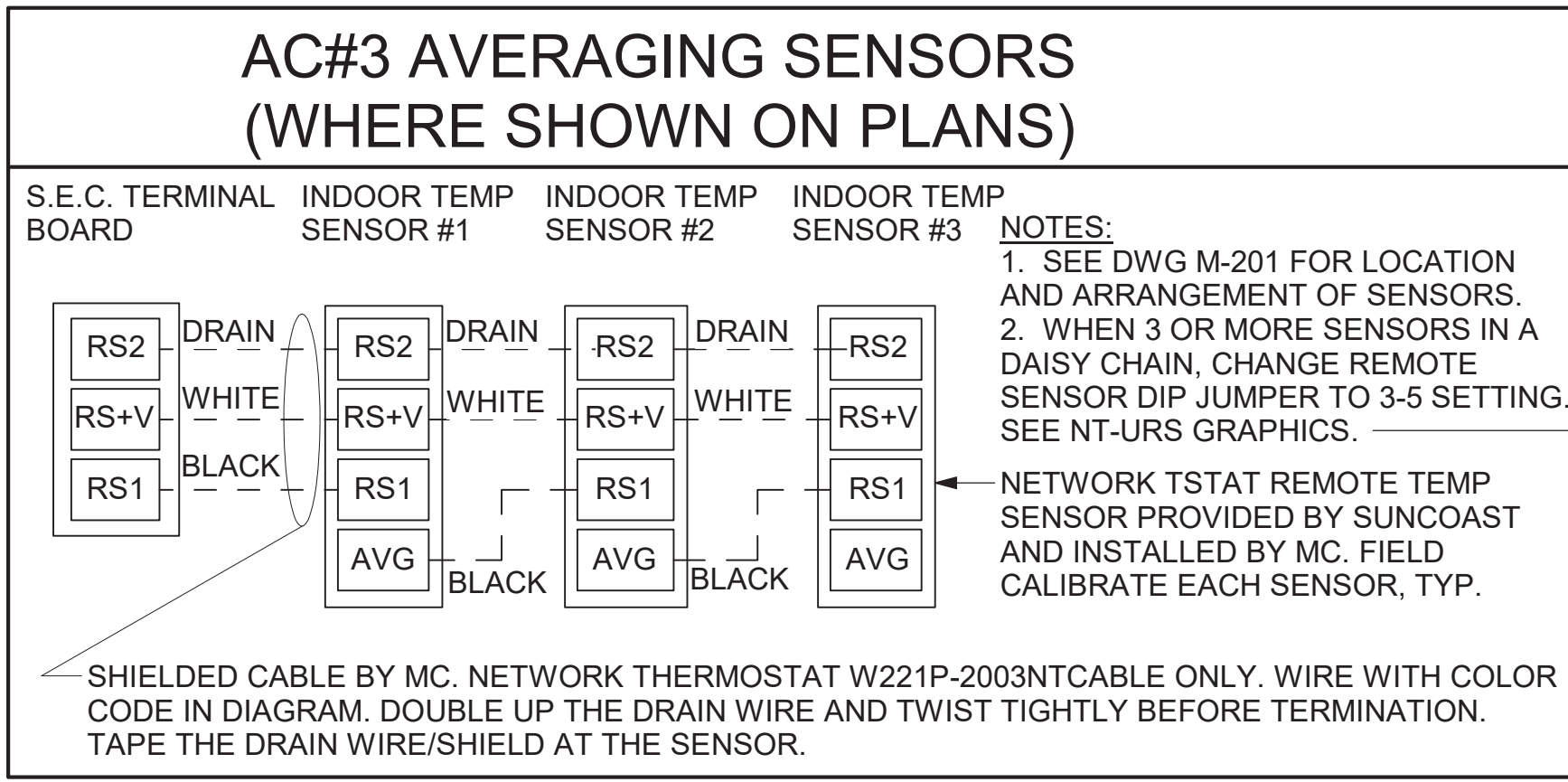
NOTES

- SEE DWG M-201 FOR COMPONENT MODEL NUMBERS AND ORDERING INFORMATION.
- 120V POWER FOR TRANSFORMER TO BE NON SWITCHED AND LIVE 24 HOURS EACH DAY.
- PROVIDE ALL NECESSARY WIRING AND COMPONENTS TO MAKE CONTROL AND POWER CONNECTIONS TO TRANSFORMER, ZONE DAMPER, AND THERMOSTAT PER MANUFACTURER'S IOM.
- PROVIDE MYLAR LABEL AT ALL NEW THERMOSTATS WITH 1/4" HIGH WHITE LETTERING ON BLACK BACKGROUND, I.E. "OFFICE THERMOSTAT". PLACE LABELS ON WALL ADJACENT TO DEVICE. DO NOT APPLY DIRECTLY ON DEVICE.

SEQUENCE OF OPERATION

- WHEN THE SUPPLY AIR TEMPERATURE IS LESS THAN 72F THE DAMPER WILL MODULATE ON A RISE IN SPACE TEMPERATURE ABOVE THE SETPOINT.
- WHEN THE SUPPLY AIR TEMPERATURE IS GREATER THAN 71F THE DAMPER WILL MODULATE ON A FALL IN SPACE TEMPERATURE BELOW THE SETPOINT.
- WHEN SPACE TEMPERATURE FALLS BELOW 68F (ADJ.), THE THERMOSTAT SHALL SEND AN ENABLE SIGNAL TO THE EDH. THE EDH SHALL THEN MODULATE CAPACITY TO MAINTAIN AN 80F (ADJ.) DISCHARGE AIR SETPOINT.

3 DAMPER AND TSTAT
NOT TO SCALE



LENNOX PRODIGY CONTROLLER SETTINGS:

- FOR ALL RTU'S EXCEPT AT AC#1, CHANGE PRODIGY-M3 BOARD CONTROL PARAMETER #65 TO ONE (#58 ON LCH UNITS). THIS WILL CAUSE THE O.A. DAMPER TO OPEN ON "OCCUPIED" START. AT AC#1 (LGH TYPE) LEAVE THE SETTING AT THE DEFAULT VALUE SO THE O.A. DAMPER WILL REMAIN CLOSED FOR THE FIRST 60 MINUTES AFTER "OCCUPIED" START. AT AC#1 (LCH TYPE) CHANGE THE VALUE TO 5400 SO THE O.A. DAMPER WILL REMAIN CLOSED FOR THE FIRST 90 MINUTES AFTER "OCCUPIED" START.
- AT HUMIDITROL RTU'S, SET PRODIGY-M3 BOARD CONTROL PARAMETER #105 FOR DEHUMIDIFICATION OPERATION TO A VALUE OF 7.
- AT HUMIDITROL RTU'S, SET PRODIGY-M3 BOARD CONTROL PARAMETER #106 FOR DEHUMIDIFICATION SET POINT TO A VALUE OF 60 (60% RH).
- AT HUMIDITROL RTU'S, SET PRODIGY-M3 BOARD CONTROL PARAMETER #107 FOR DEHUMIDIFICATION MODE DEAD BAND TO VALUE OF 2 (2% RH).
- AT MSAV UNITS, SET THE MSAV LOW SPEED SETTING TO THE SAME VALUE AS THE HIGH SPEED SETTING AFTER TAB IS COMPLETE.

NOTES:

- MECHANICAL CONTRACTOR SHALL MAKE PLASTIC LAMINATE OF THIS DETAIL AND INSTALL PERMANENTLY ON INSIDE DOOR OF ROOFTOP UNIT CONTROL COMPARTMENT.
- SEE DETAILS THIS SHEET FOR SMOKE DETECTOR AND ANNUNCIATOR WIRING.
- SET ALL THERMOSTATS FOR AUTO CHANGEOVER.
- PROVIDE PLASTIC ENGRAVED LABEL AT ALL NEW SENSORS WITH 1/4" HIGH WHITE LETTERING ON BLACK BACKGROUND, I.E. "AC#2 HUMIDITY SENSOR" OR "AC#2 TEMP SENSOR". PLACE LABELS ON WALL ADJACENT TO DEVICE, DO NOT APPLY DIRECTLY TO DEVICE.

KEYED NOTES:

- LOW VOLTAGE WIRING TO RTU TO BE ROUTED TO UNIT THRU FACTORY WIREWAY.
- HUMIDITROL UNITS ONLY: WIRING TO HUMIDITY SENSOR TO BE MADE WITH TWO SEPARATE RUNS OF SHIELDED TWISTED PAIR. TERMINATE SHIELD WIRES AT TB-1. LEAVE OPEN AT SENSOR.
- NETWORK TSTAT REMOTE TEMP SENSOR PROVIDED BY SUNCOAST AND INSTALLED BY MC. SENSOR IS INTENDED TO BE SURFACE MOUNTED AND DOES NOT REQUIRE A SINGLE GANG BOX OF CONDUIT. FIELD CALIBRATE EACH SENSOR.

LEGEND

S.E.C. SUNCOAST ENVIRONMENTAL CONTROLS (SUPPLIER OF TEMP/FAN CONTROL PANEL) LOCATED IN KITCHEN

① KEY NOTE REFERENCE

MC MECHANICAL CONTRACTOR

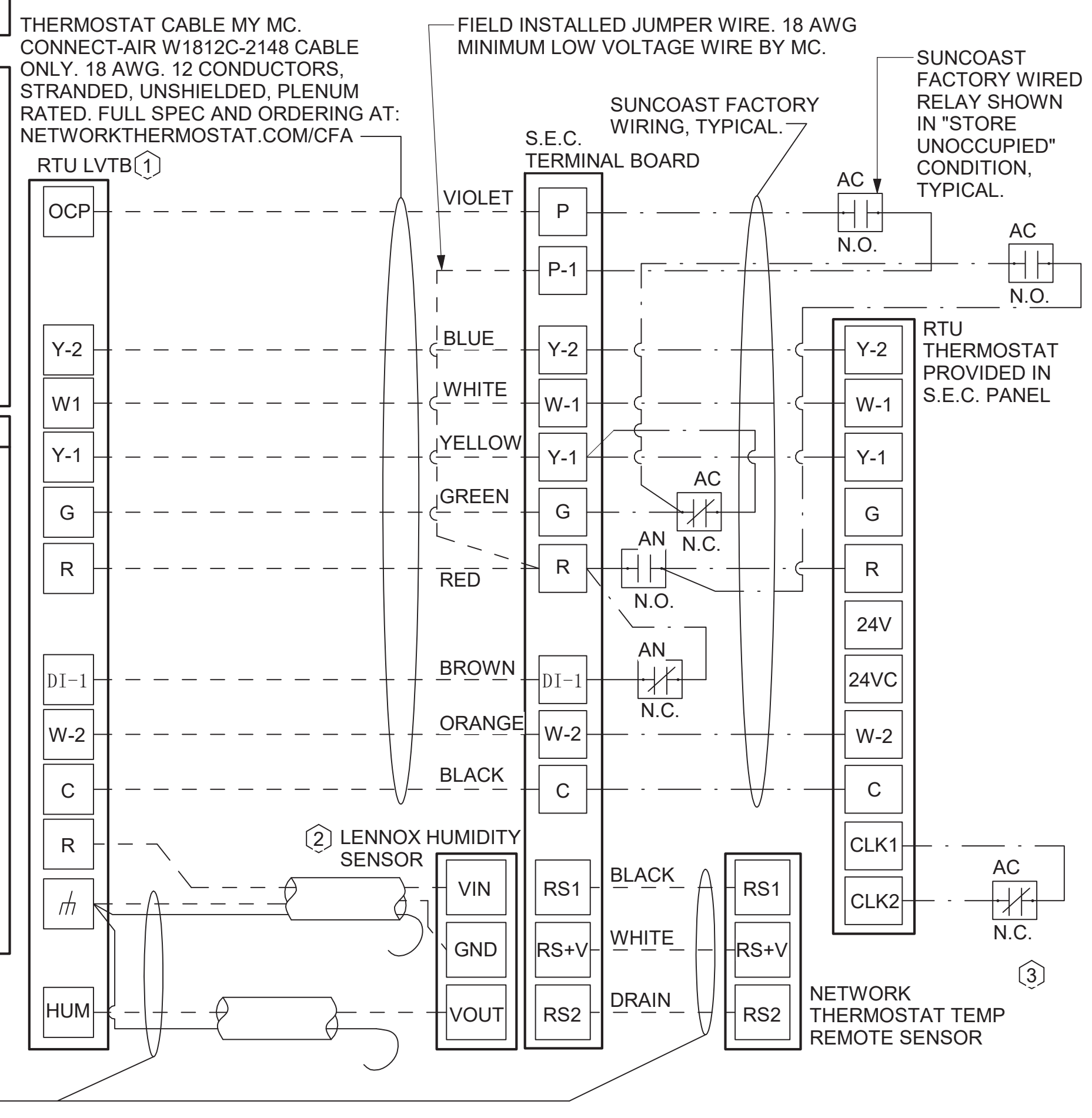
AC SUNCOAST RELAY FACTORY INSTALLED AND WIRED IN CFA-500 PANEL, ENERGIZED BY PUTTING STORE SWITCH IN "STORE OCCUPIED" POSITION.

AN SUNCOAST RELAY FACTORY INSTALLED AND WIRED IN CFA-500 PANEL, DENERGIZED WHEN ANSUL FIRE SUPPRESSION SYSTEM IS ACTIVATED, AS NOTED.

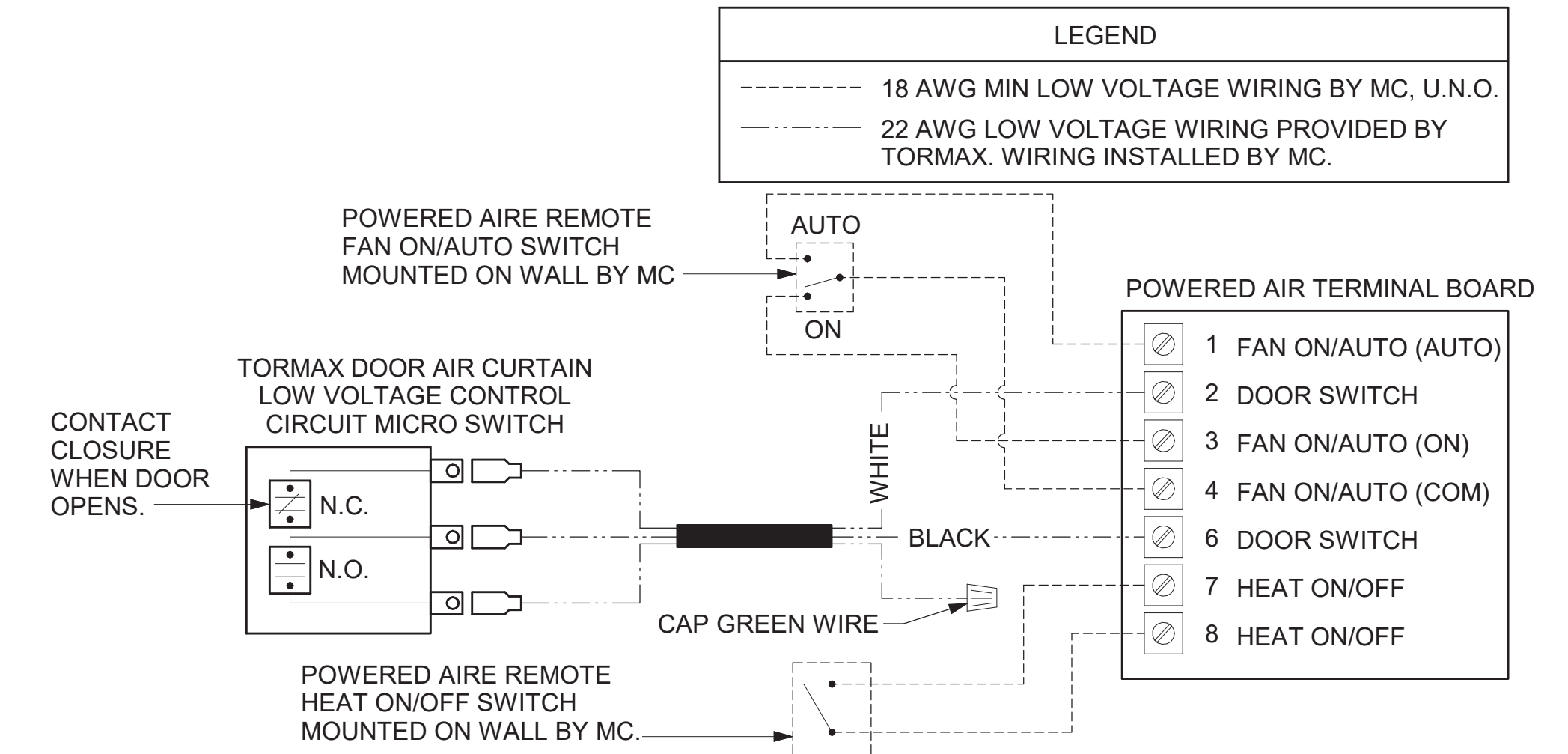
- - - ALL LOW VOLTAGE CABLING BY MC. ONLY USE CABLE SPECIFIED. NO SUBSTITUTIONS.

- - - LOW VOLTAGE WIRING BY S.E.C.

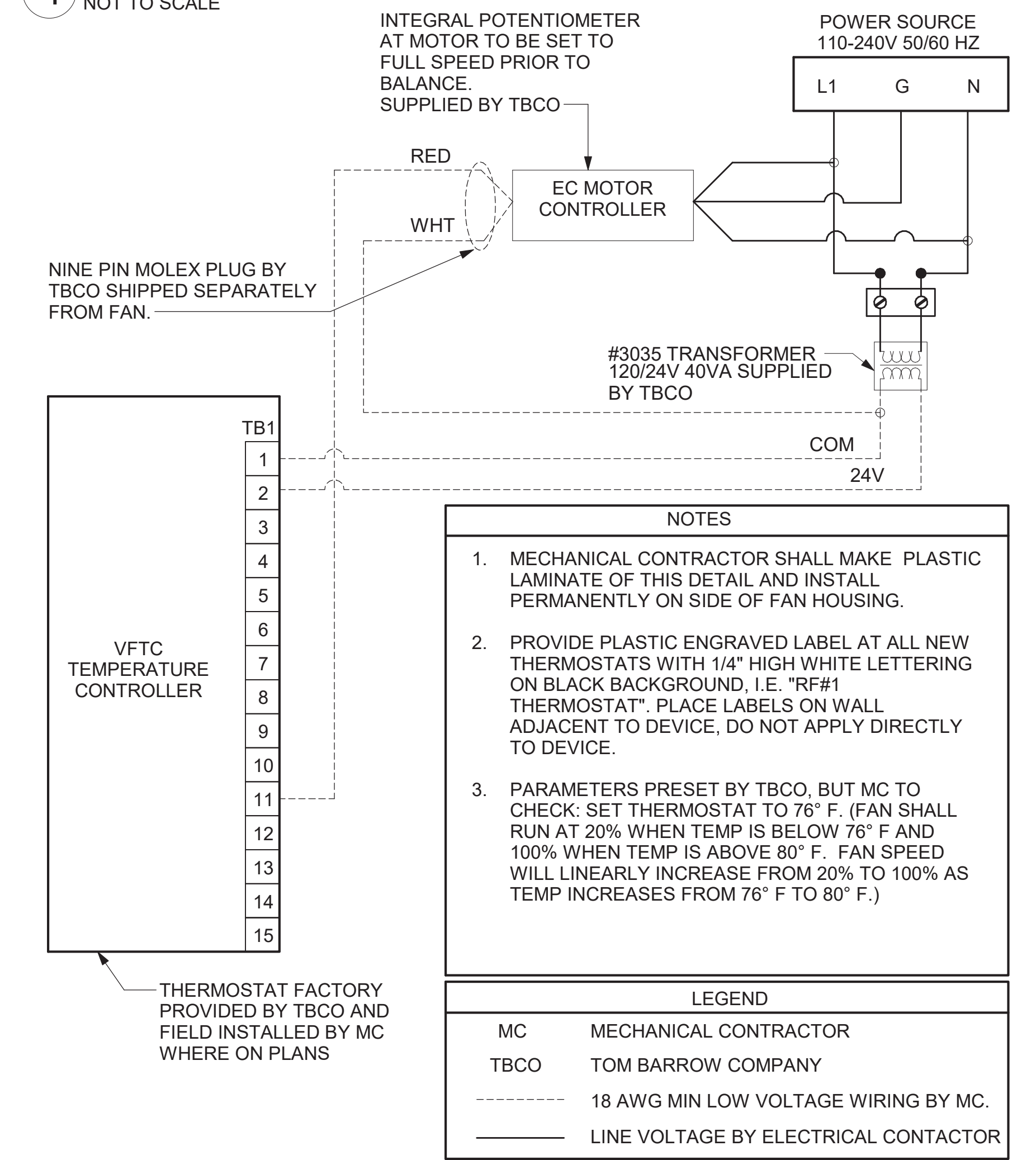
— LINE VOLTAGE BY ELECTRICIAN OR S.E.C.



2 ROOFTOP UNIT CONTROL WIRING - LENNOX
NOT TO SCALE



4 AIR CURTAIN WIRING DIAGRAM
NOT TO SCALE



5 TECH CLOSET CONTROL DIAGRAM
NOT TO SCALE

LENNOX FRESH AIR HEATING SETUP WHEN SPECIFIED:

- INSTALL FRESH AIR TEMPERING KIT WIRING HARNESS AS RECOMMENDED BY LENNOX.
- LOCATE SUPPLY AIR TEMPERATURE SENSOR IN SUPPLY DUCT DOWNSTREAM OF FIRST ELBOW. SECURE WIRING TO DUCT OR STRUCTURE WITH RUBBER COATED CLAMPS. DO NOT RUN WIRING INSIDE DUCT WORK. PROTECT ALL WIRING PENETRATIONS WITH RUBBER GROMMETS.
- FOR PRODIGY 2.0: FIRST SET FRESH AIR HEATING ENABLE TO "YES" THRU THE TAB/DAMPER MENU (LEAVE FRESH AIR COOLING AS "NO"). NEXT, CHANGE PRODIGY-M3 BOARD CONTROL PARAMETER #156 TO A VALUE OF 66. THIS WILL PREVENT THE SUPPLY AIR TEMPERATURE FROM DROPPING BELOW 66F DEG DURING HEATING MODE WHEN THE THERMOSTAT IS NOT ACTIVELY CALLING FOR HEAT.
- CHANGE PRODIGY-M3 BOARD CONTROL PARAMETER #157 TO A VALUE OF 14. THIS WILL MAKE THE DEADBAND VALUE EQUAL 14F.
- CHANGE PRODIGY-M3 BOARD CONTROL PARAMETER #158 TO A VALUE OF 300. THIS WILL MAKE THE CYCLE TIME VALUE EQUAL 5 MINUTES.



Chick-Fil-A
5200 Buffington Road
Atlanta, Georgia
30349-2998

INTERPLAN
INTERPLAN LLC
AR99238
CA 8660
ARCHITECTURE
ENGINEERING
PERMITTING

220 E. CENTRAL PKWY, STE 4000
ALAMONTONE SPRINGS, FL 32701
407.645.5008



CHICK-FIL-A
SPRAYBERRY
2530 SANDY PLAINS RD
MARIETTA, GA 30066

FSU#00806

BUILDING TYPE / SIZE: P13 SE SML

RELEASE: 22.05
PRINTED FOR: CONSTRUCTION

REVISION SCHEDULE
NO. DATE DESCRIPTION

DATE: 10/2022

CONSULTANT PROJECT #: 2019.0834

DATE: 10/2022

DRAWN BY: AE

Information contained on this drawing and all digital files produced for above named project may not be reproduced in any manner without express written or verbal consent from authorized project representatives.

HVAC CONTROLS

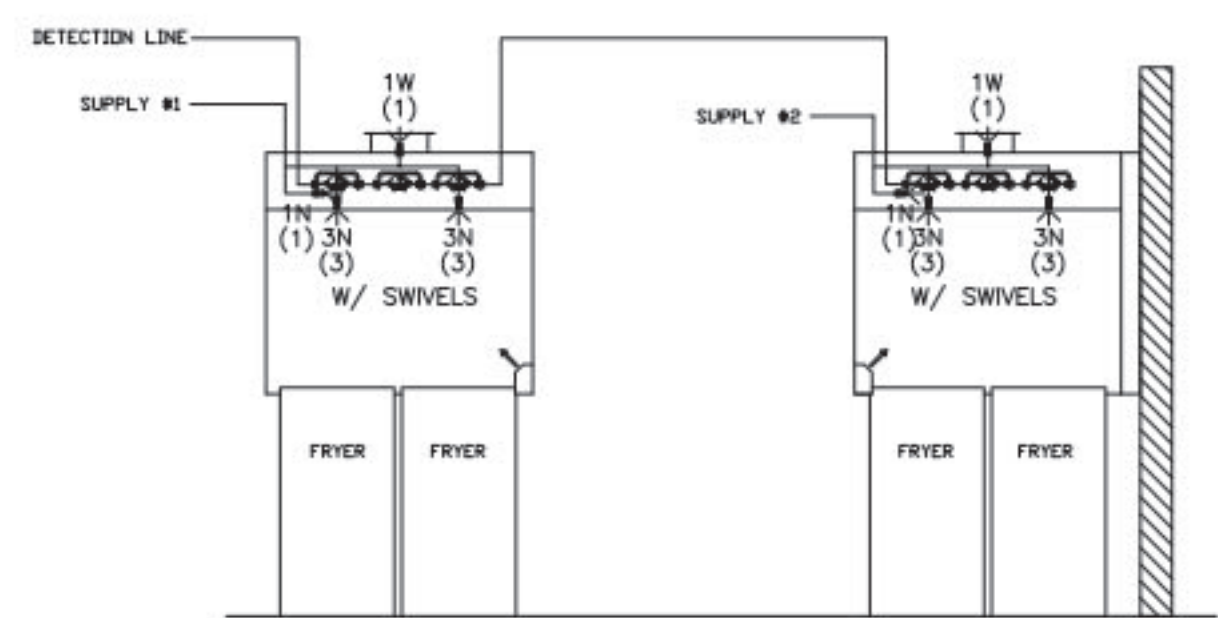
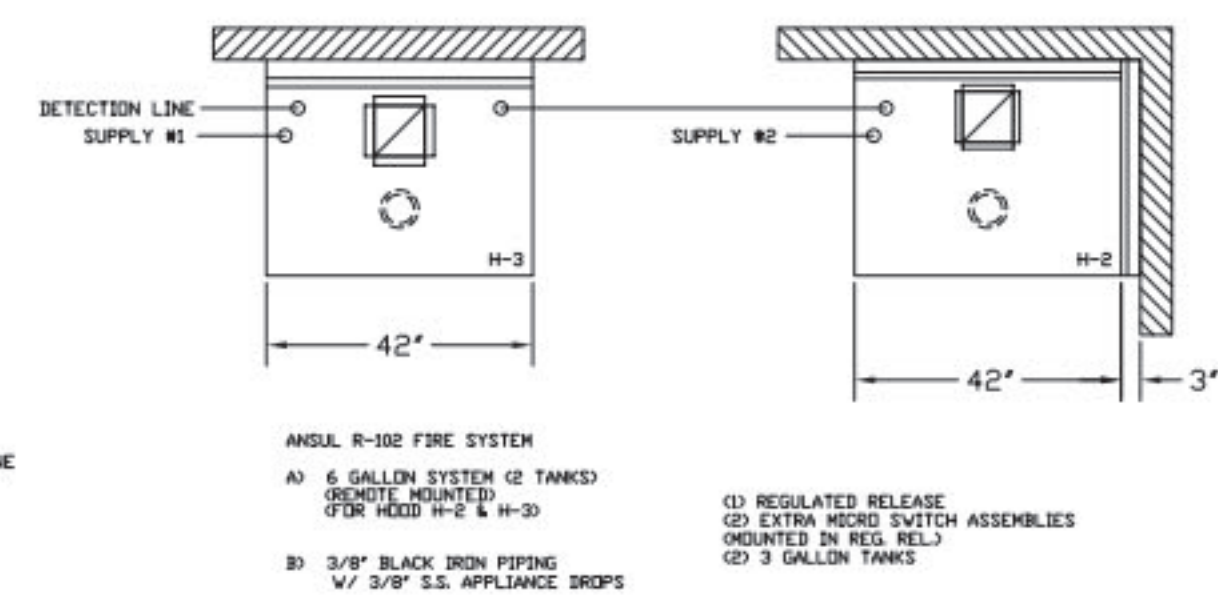
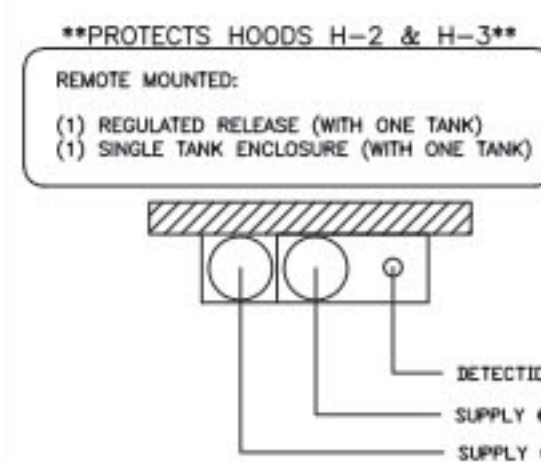
SHEET NUMBER

M-501

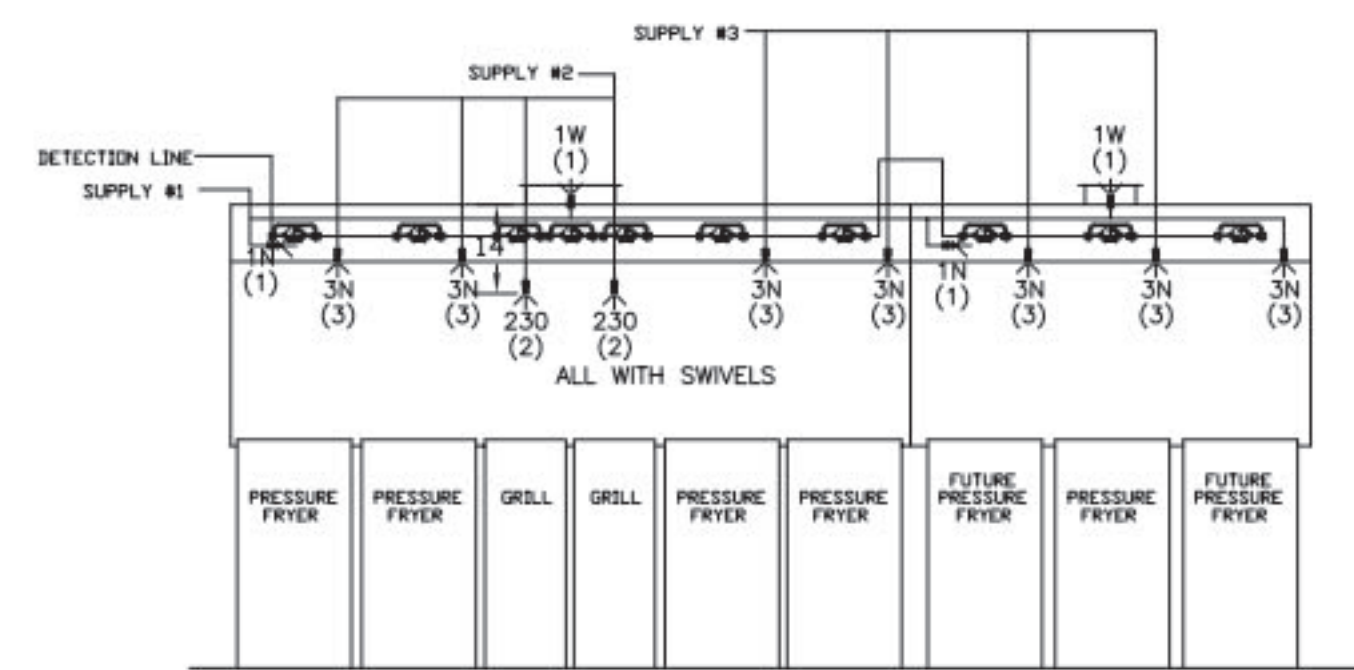
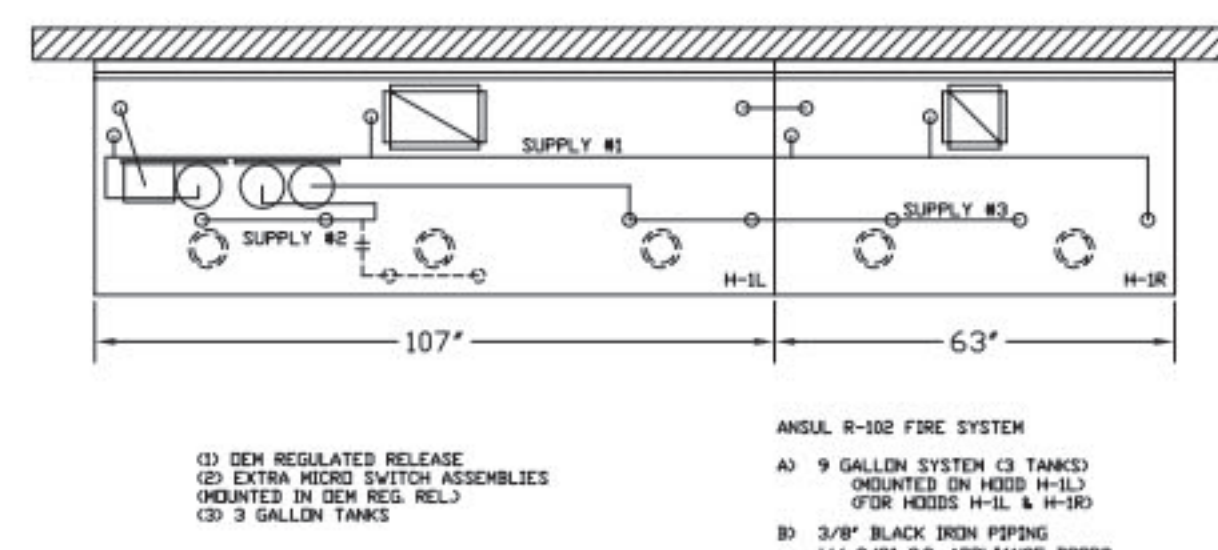
MARIBR - 06/07/2023 2:27:27 PM

6/17/2023 1:56:26 PM Autodesk Docs://GA_00806_SprayberryFSU_2022.9_FSR/00806_SprayberryFSU_MEC.rvt 30-SE-00806-M-501-HVAC CONTROLS

COPYRIGHT © 2023 INTERPLAN LLC. RESERVES COPYRIGHT & OTHER RIGHTS RESTRICTING THESE DOCUMENTS TO THE ORIGINAL SITE OR PURPOSE FOR WHICH THEY WERE PREPARED. REPRODUCTIONS, REPRODUCTIONS OR ASSIGNMENTS ARE PROHIBITED.



ANSUL R-102 FIRE SYSTEM LAYOUT



ANSUL R-102 FIRE SYSTEM LAYOUT

FUSIBLE LINK RATINGS

ITEM	TEMP
OPEN FRYERS	450°
2 BURNER / FLAT TOP	450°
PRESSURE FRYERS	450°
GRILL	450°
EXHAUST COLLARS	450°

ANSUL R-102 FIRE SYSTEM NOTES
 THREE TANK SYSTEM MOUNTED ON TOP OF (H-1L)
 MAXIMUM FLOW POINTS = 33

ANSUL R-102 FIRE SYSTEM NOTES
 TWO TANK SYSTEM REMOTE MOUNTED
 MAXIMUM FLOW POINTS = 22

ITEM #	QTY	DESCRIPTION	FLOW PTS (TOTAL)
1W	4	DUCT NOZZLES	4
IN	4	PLENUM NOZZLES	4
230	2	APPLIANCE NOZZLES	4
3N	11	APPLIANCE NOZZLES	33
TOTAL FLOW POINTS - 45			

ITEM #	QTY	DESCRIPTION
#200	14	SERIES DETECTORS W/ FUSIBLE LINKS
#201	2	TERMINAL DETECTOR W/ FUSIBLE LINKS
#202	1	DEM REGULATED RELEASE W/ DOUBLE POLE MICRO SWITCH
#202	1	REGULATED RELEASE W/ DOUBLE POLE MICRO SWITCH
#203	5	3 GALLON TANKS
#204	1	SINGLE TANK ENCLOSURE
#205	2	REMOTE PULL STATION

ANSUL R-102 FIRE SYSTEM
 UL LISTED PER STD LATEST STD 300
 1. FINAL INSTALLATION IS TO BE MADE IN ACCORDANCE WITH ALL APPLICABLE CODES
 2. ALL ELECTRICAL COMPONENTS FOR EQUIPMENT SHUT DOWN TO BE PROVIDED BY THE ELECTRICIAN
 3. REMOTE PULL STATION LOCATED PER MECHANICAL DRAWINGS

THIS DRAWING MUST BE CHECKED, SIGNED AND RETURNED TO THE APPROPRIATE FACTORY. PLEASE VERIFYING THE FOLLOWING:

1. ALL DIMENSIONAL INFORMATION, MOUNTING POSITIONS AND CLEARANCES.
2. THE LOCATION AND TYPE OF COOKING EQUIPMENT.

NOTE TO APPROVER: ANY CHANGES IN COOKING EQUIPMENT SUCH AS INCREASED ENERGY INPUTS OR EQUIPMENT CHANGES IN LOCATION, MOUNTING POSITIONS, CLEARANCES, OR EXHAUST AIRFLOW MAY BE REQUIRED. CHANGES OCCUR, A RECALCULATION EXHAUST AIRFLOW MAY BE REQUIRED.

APPROVED FOR FABRICATION: WITH NO CHANGES WITH CHANGES AS NOTED

REVISION AND RESUBMIT: WITH NO CHANGES WITH CHANGES AS NOTED



REV.	DESCRIPTION	DATE
1	ADDED 15" DIMENSION FOR NOTCH OPENING ON HOODS H-2 & H-3	01.25.22
2		
3		
4		
5		
6		
7		

PROJECT: CHICK-FIL-A P13
 LOCATION: ---
 DRAWN BY: AF
 DATE: 01.10.22
 SCALE: NTS
 Halton Dwg: U22-057-01

Sheet MH-1.2