

01 FLOOR PLAN - MECHANICAL
 M1.1 SCALE: 1/8" = 1'-0"



- ### GENERAL NOTES
- 1 - ALL WORK SHOWN TO COMPLY WITH ALL NATIONAL, STATE AND LOCAL CODES, ORDINANCES, ETC.
 - 2 - SEE ALL OTHER DRAWINGS AND WALGREENS SPECIFICATIONS FOR ADDITIONAL WORK OR CLARIFICATION OF NECESSARY WORK.
 - 3 - PROVIDE 3/4" ROUND STEEL ROD IN ALL OPENINGS GOING THRU ROOF OR WALL (12" DIA. OR LARGER EXCEPT SCUTTLE) ON 6" CENTER IN BOTH DIRECTIONS, FOR BURGLAR PROOFING, SEE DETAIL M2.2/11.
 - 4 - ALL FRESH AIR INTAKES ON ROOF SHALL BE LOCATED A MINIMUM OF 15'-0" AWAY FROM ANY EXHAUST DUCT OR BLOWER DISCHARGE.
 - 5 - HVAC ROOF-TOP UNIT TO INCLUDE FLEXIBLE CONNECTIONS, TURN VANES, AND VIBRATION ELIMINATORS, AS REQUIRED. SEE GENERAL NOTE #2/M2.1 FOR MORE INFORMATION.
 - 6 - ALL DUCT TO BE GALVANIZED SHEET METAL (LINED DUCT WILL NOT BE ACCEPTED).
 - 7 - ALL HVAC SUPPLY & RETURN AIR DUCTS SHALL HAVE 1 1/2" EXTERNAL INSULATION. SEE SPECIFICATIONS, SECTION 150, FOR ADDITIONAL INFORMATION.
 - 8 - EACH HVAC UNIT TO HAVE ITS OWN CONTROLS. SEE DRAWING ME1.1 FOR HVAC CONTROL WIRING DIAGRAM AND SPECIFICATION.
 - 9 - PROVIDE CONDENSATE DRAIN WITH TRAP, AS SHOWN ON DETAIL 8/M2.1.
 - 10 - ALL HVAC SYSTEMS TO BE BALANCED (BY AN INDEPENDENT CERTIFIED NEEP AIR BALANCE CONTRACTOR WITH A MINIMUM OF 5 YEARS EXPERIENCE) AFTER COMPLETION OF WORK.
 - 11 - STOCKROOM FANS TO BE MANUALLY SWITCHED.
 - 12 - DO NOT INSTALL UNIT HEATER ABOVE STOCK ROOM SHELVING.
 - 13 - EQUIPMENT MANUFACTURER SHALL PROVIDE ON EACH NEW WALGREEN STORE, FACTORY SUPERVISED "CHECK TEST & SHUT" SERVICE UTILIZING STANDARD WALGREEN FORMS AS PROVIDED BY FACILITIES PLANNING AND DESIGN DEPARTMENT. HVAC CONTRACTOR SHALL VERIFY COMPLIANCE WITH PLANS AND SPECIFICATIONS AND SHALL FORWARD TO THE WALGREEN CO. COMPLETED C.T.S. FORMS, ALONG WITH THREE COPIES OF SERVICE MANUALS, INSTALLATION MANUALS, PARTS LIST AND ALL RELATED WARRANTIES. EQUIPMENT SHALL BE IN BOOK FORM AND APPLICABLE TO ACTUAL EQUIPMENT INSTALLED.
 - 14 - HVAC UNITS MUST BE INSTALLED LEVEL ON ROOF.
 - 15 - THERMOSTAT SENSOR WIRING TO BE RUN INSIDE PIPE COLUMNS.
 - 16 - DO NOT INSTALL SUPPLY AIR DIFFUSERS IN CEILING PANEL ADJACENT TO ROWS OF LIGHT FIXTURES.
 - 17 - FLEXIBLE DUCT LENGTH NOT TO EXCEED A MAXIMUM OF 7'-0".
 - 18 - SUPPLY AND/OR RETURN AIR PLENUMS WILL NOT BE ACCEPTED.
 - 19 - DUCT MOUNTED SMOKE DETECTORS FURNISHED AND WIRED BY ELECTRICAL CONTRACTOR, AND INSTALLED BY MECHANICAL CONTRACTOR.
 - 20 - DUCTWORK DIMENSIONS LISTED ON DRAWING INDICATE AIRSTREAM DIMENSION REQUIREMENTS.
 - 21 - PROVIDE DUCT LINER FOR ALL OUTSIDE AIR AND THE FIRST 15 FEET OF SUPPLY DUCTWORK IN ALL DIRECTIONS DOWNSTREAM OF HVAC EQUIPMENT.

- ### MECHANICAL KEYED NOTES
- 1 HVAC ROOF-TOP UNIT. SEE GENERAL NOTES (ABOVE) AND SCHEDULE ON DRAWING M2.1 FOR ADDITIONAL INFORMATION, RE: M2.2/10.
 - S.A.D., FOUR WAY AIR PATTERN, WITH ADJUSTABLE DEFLECTION AND OPPOSED BLADE DAMPERS. CFM AND SIZE AS NOTED. SEE DETAIL M2.1/1.
 - SUPPLY AIR DUCT UP TO R.T.U. ON ROOF ABOVE WITH BURGLAR BARS.
 - S.A.D., THERMA-FUSER HC, THERMALLY POWERED VARIABLE AIR VOLUME (VAV) DIFFUSER. CFM AND SIZE AS NOTED.
 - S.A.G., WITH ADJUSTABLE DEFLECTION AND OPPOSED BLADE DAMPERS. CFM AND SIZE AS NOTED. SEE DETAIL M2.1/1.
 - R.A.G. 0 DEGREE DEFLECTION. CFM AND SIZE AS NOTED. SEE DETAIL M2.1/3.
 - REMOTE THERMOSTAT SENSOR, MOUNT 6'-0" ABOVE FINISHED FLOOR ON COLUMN. LOCATE REMOTE THERMOSTAT CONTROLLER IN OFFICE.
 - MOUNT THERMOSTAT 6'-0" ABOVE FINISHED FLOOR.
 - 48" X 24" RETURN AIR GRILLE IN CEILING CONNECTED TO RETURN AIR DUCT ABOVE CEILING. METALARE, SERIES 4800HM WITH 24" 0 DEGREE DEFLECTION 48" X 24" TECH. SIZE AND CFM AS NOTED ON PLAN.
 - ONE OF FIVE (5) 12" X 6" METALARE REGISTERS, SERIES 4000HM WITH KNOB OPERATOR, ADJUSTABLE DEFLECTION AND OPPOSED DAMPERS, 200 CFM EACH.
 - NOT USED.
 - 7" X 14" ALUMINUM DUCT RUNNING FROM BOTTOM OF JOISTS UP THROUGH ROOF TO COMPRESSOR FOR REFRIGERANT LINES. SEE DETAIL ON SHEET M2.2.
 - GAS FIRED UNIT HEATER (SEE SCHEDULE DWG. M2.1); BOTTOM 12"-0" UP; THERMOSTAT MOUNTED ON PIPE 6'-6" UP. PROVIDE 8" FLUE TO ROOF, WITH WEATHER CAP.
 - ROOF-TOP COMPRESSOR FOR WALK-IN COOLER/FREEZER. SEE SCHEDULE ON DRAWING M2.1 FOR ADDITIONAL INFORMATION.
 - THERMOSTAT FOR AHU-4 SHALL INTERLOCK WITH ELECTRIC UNIT HEATERS. CONTROL SO THAT WHEN UNIT HEATER OPERATES, RTU-4 WILL NOT OPERATE. MOUNT THERMOSTAT ON WALL 6'-0" ABOVE FINISHED FLOOR.
 - PIPE BOTTLE
 - ROOF-CHAS FOR WALK-IN COOLER/FREEZER COMPRESSOR REFRIGERANT AND ELECTRICAL LINES. SEE DETAIL M2.1/7.
 - EXHAUST DUCT TO BLOWER ON ROOF.
 - RTU-4 WITH CONCENTRIC AIR DIFFUSER (CAD) AND BOX SHALL BE MICROMETAL 902 AND 906. MOUNT BOX TOP AT UNDERSIDE OF BAR JOIST.
 - TRANSITION TO 12/12 EXHAUST DUCT UP TO EF-5 ON ROOF. WITH 18X18 GRILLE FOR 750 CFM EXHAUST.
 - NOT USED.
 - NOT USED.
 - RETURN AIR DUCT UP TO R.T.U. ON ROOF ABOVE WITH BURGLAR BARS.
 - NOT USED.
 - GAS UNIT HEATERS MUST BE INSTALLED IN AISLES.
 - DIFFUSER INSTALLED IN CYP. BOARD CEILING.

LEGEND

FOR MECHANICAL LEGEND SEE DETAIL M2.2/05

PROJECT TYPE

DRAWINGS/SPECIFICATIONS BY:
 WALGREENS' CONSULTANT
 LANDLORD'S CONSULTANT

ALL CONSTRUCTION WORK, UNLESS NOTED OTHERWISE BY:
 WALGREENS' CONTRACTOR
 LANDLORD'S CONTRACTOR (TURNKEY CONSTRUCTION)

STORE	BUILDING
NEW..... <input checked="" type="checkbox"/>	NEW..... <input checked="" type="checkbox"/>
REMODELING... <input type="checkbox"/>	EXISTING..... <input type="checkbox"/>
RELOCATION... <input type="checkbox"/>	NEW SHELL ONLY <input type="checkbox"/>
OTHER..... <input type="checkbox"/>	

*Work with
 Lino
 Ransom
 Refer to
 2nd.
 Check
 3rd
 Re-visit*

NO.	DATE	BY	DESCRIPTION
1	6/26/96	KAI	CLARIFICATIONS & WALGREENS COMMENTS
2	4-23-96	DRK	CLARIFICATIONS, PERMIT REVISIONS & WALGREENS COMMENTS
3			
4			
5			
6			
7			
8			
9			
10			
11			
12			
13			
14			
15			
16			
17			
18			
19			
20			
21			
22			
23			
24			
25			

CERTIFICATION AND SEAL

I HEREBY CERTIFY THAT THIS PLAN AND SPECIFICATION WAS PREPARED BY ME OR UNDER MY DIRECT SUPERVISION AND THAT I AM A DULY REGISTERED ARCHITECT OR ENGINEER UNDER THE LAWS OF THE STATE OF TEXAS AS SIGNIFIED BY MY HAND AND SEAL.

PROJECT TYPE

DRAWINGS/SPECIFICATIONS BY:

- WALGREENS' CONSULTANT
- LANDLORD'S CONSULTANT

ALL CONSTRUCTION WORK, UNLESS NOTED OTHERWISE:

- WALGREENS' CONTRACTOR
- LANDLORD'S CONTRACTOR (TURNKEY CONSTRUCTION)

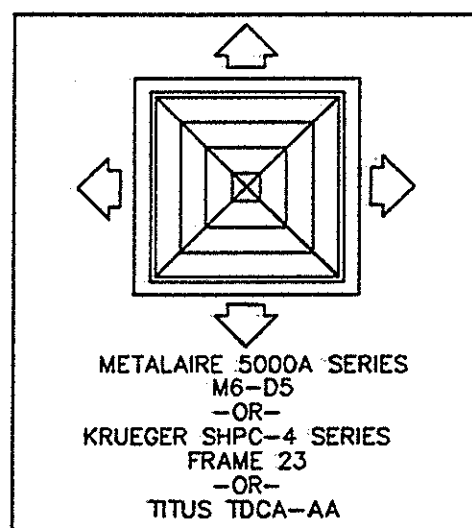
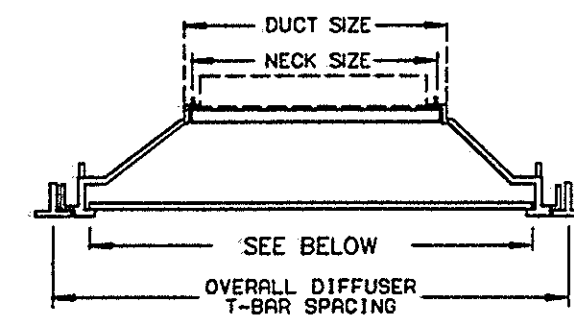
STORE **BUILDING**

- NEW.....
- REMODELING...
- RELOCATION...
- OTHER.....

GENERAL MECHANICAL NOTES

1. SEE SECTION 15F IN SPECIFICATIONS FOR AIR CONDITIONING AND HEATING CONTROLS.
2. SEE ARCHITECTURAL DRAWING FOR HVAC UNIT ROOF CURB AND SUPPORT.
3. ALL NON-AIR CONDITIONING COMPRESSORS LISTED WITH REFRIGERANT PIPING SHALL BE FURNISHED BY WALGREENS. ALL ELECTRICAL WORK (SEE DRAWING E1.2) AND PLUMBING WORK (SEE DRAWING P1.1), INCLUDING ROOF SUPPORTS, FURNISHED BY CONTRACTOR.
4. SEE ARCHITECTURAL DRAWING FOR ROOF-TOP COMPRESSOR CURB AND SUPPORT DETAIL.
5. AIR CONDITIONING COMPRESSORS SHALL HAVE (5) FIVE YEAR WARRANTY. HEAT EXCHANGERS SHALL HAVE (10) TEN YEAR WARRANTY. COPY OF WARRANTIES TO BE GIVEN TO WALGREENS' PROJECT ARCHITECT AT COMPLETION OF PROJECT.

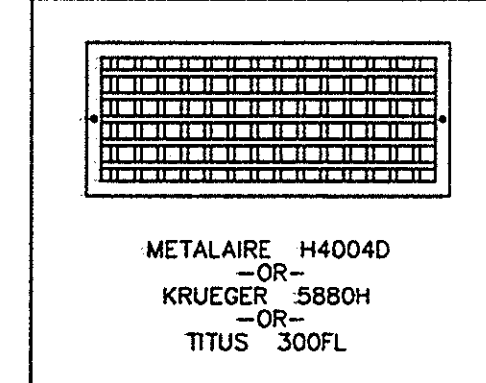
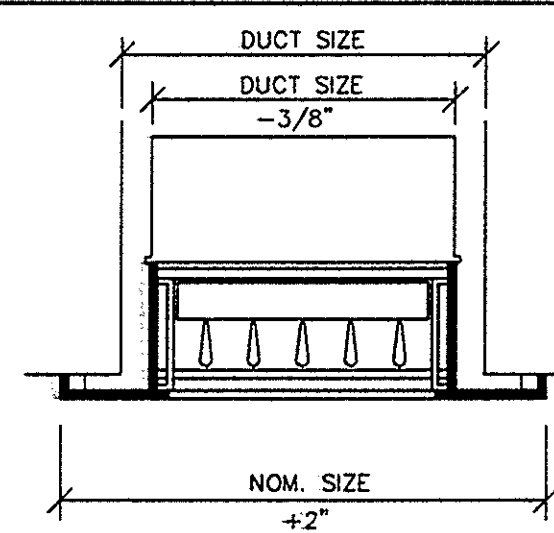
SUPPLY AIR DIFFUSER



- NOTES:**
1. FOUR WAY AIR PATTERN.
 2. ADJUSTABLE (HORIZONTAL/VERTICAL).
 3. ALL ALUMINUM.
 4. SQUARE, ROUND, OR RECTANGULAR NECK.
 5. WITH OPPOSED BLADE DAMPER.
 6. FOR FLORIDA STORES WITH FIRE RATED CEILING USE METALAIRE 5510-S-FRS SUPPLY AIR DIFFUSERS AND RHD-TB RETURN AIR GRILLES.

(NO SUBSTITUTION ACCEPTED FOR METALAIRE, KRUEGER, AND TITUS)

SUPPLY AIR GRILLE



- NOTES:**
1. ADJUSTABLE, DOUBLE DEFLECTION.
 2. ALL ALUMINUM.
 3. WITH OPPOSED BLADE DAMPER.

(NO SUBSTITUTION ACCEPTED FOR METALAIRE, KRUEGER, AND TITUS)

UNIT HEATER SCHEDULE

UNIT	AREA SERVED	BTU/HR INPUT	CFM	MOTOR		RPM	TYPE	MAKE AND MODEL
				HP.	VOLTS PHASE			
GUH-1	RECEIVING	50,000	800	1/30	120/1/60	1050	GAS FIRED - FAN - 50CFH 2.8 AMP MTD 12'-0" A.F.F.	REZTOR #F-50 75#S, 1/2" GAS CONNECTION
GUH-2	STOCK AREA	50,000	800	1/30	120/1/60	1050	GAS FIRED - FAN - 50CFH 2.8 AMP MTD 12'-0" A.F.F.	REZTOR #F-50 75#S, 1/2" GAS CONNECTION
GUH-3	ENTRANCE	150,000	2400	1	208/3/60	1725	GAS FIRED - FAN - 150CFH BOTTOM R.A./SUPPLY PLENUM	TRANE GRNC015 1/2" GAS CONNECTION

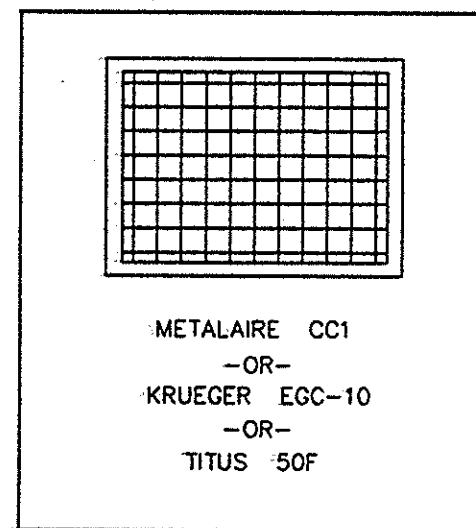
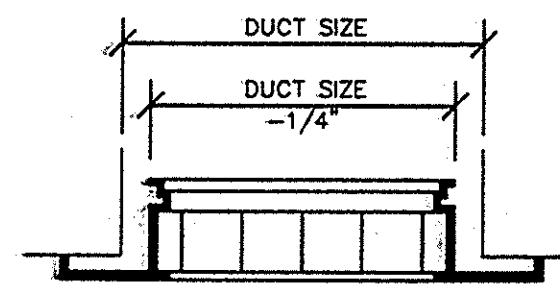
ACCEPTABLE EQUALS; MODINE & MARKEL

FAN SCHEDULE

UNIT	AREA SERVED	CFM.	SP.	MOTOR		RPM	TYPE	MAKE AND MODEL
				HP	VOLTS PHASE			
EF-1	TOILET EXHAUST WOMEN'S	250	0.375	1/4	120/1	1290	ROOF MOUNTED BELT DRIVE CENTRIFUGAL FAN	GREENHECK GB-80-4-R5, CURB, GRAVITY, BDD, BS, WT 60#
EF-2	TOILET EXHAUST MEN'S	250	0.375	1/4	120/1	1290	ROOF MOUNTED BELT DRIVE CENTRIFUGAL FAN	GREENHECK GB-80-4-R5, CURB, GRAVITY, BDD, BS, WT 60#
EF-3	BREAK ROOM EXH.	350	0.375	1/4	120/1	1090	ROOF MOUNTED BELT DRIVE CENTRIFUGAL FAN	GREENHECK GB-80-4-R4, CURB, GRAVITY, BDD, BS, WT 60#
EF-4	OFFICE	300	0.375	1/4	120/1	1080	ROOF MOUNTED BELT DRIVE CENTRIFUGAL FAN	GREENHECK GB-80-4-R5, CURB, GRAVITY, BDD, BS, WT 60#
EF-5	ONE HOUR PHOTO	750	0.375	1/4	120/1	1185	ROOF MOUNTED BELT DRIVE CENTRIFUGAL FAN	GREENHECK GB-100-4-R2, CURB, GRAVITY, BDD, BS, WT 70#

ACCEPTABLE EQUALS: ACME, JENN AIRE, COOK, PENN.

RETURN AIR GRILLE

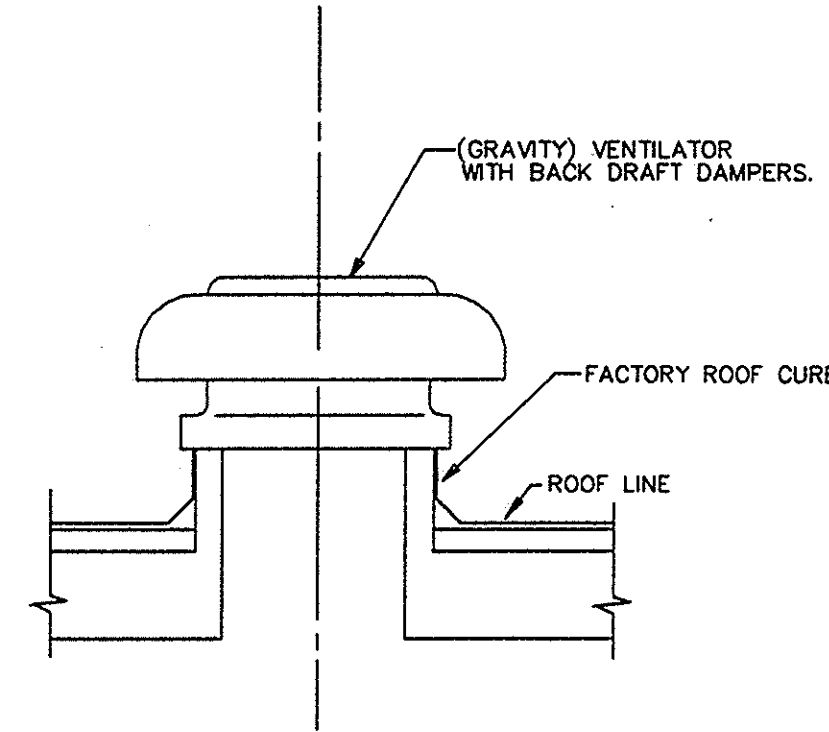


- NOTES:**
1. 0 DEGREE DEFLECTION.
 2. ALL ALUMINUM.
 3. 1"X1"X1" EGGRATE GRID.

METALAIRE CC1
-OR-
KRUEGER EGC-10
-OR-
TITUS 50F

(NO SUBSTITUTIONS ACCEPTED FOR METALAIRE, KRUEGER, AND TITUS)

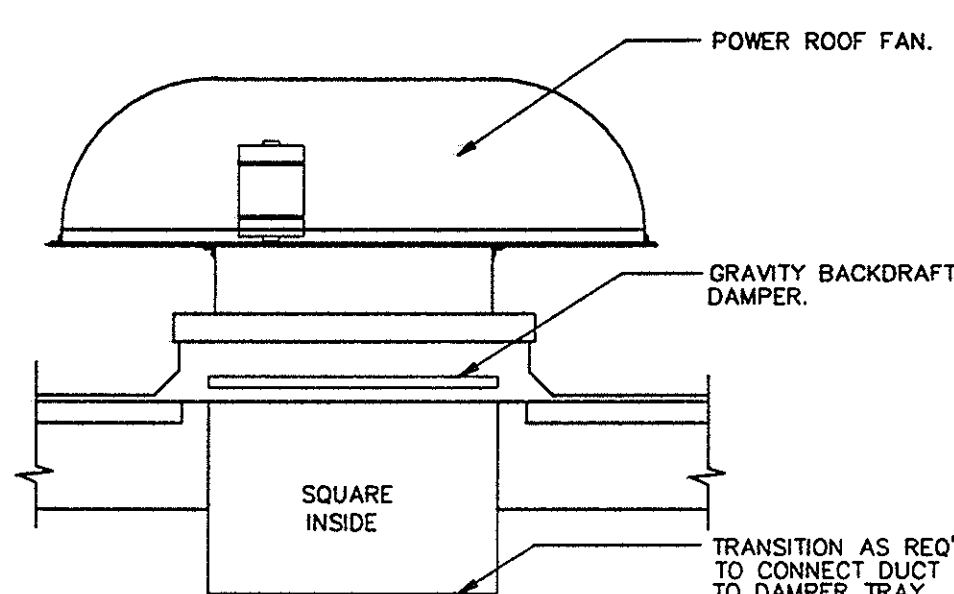
INTAKE VENTILATOR



NOTE: PROVIDE BURGLAR PROOFING FOR OPENINGS 1'-0" OR LARGER. SEE DETAIL 11/M2.2.

MANUFACTURER: ACME, COOK, GREENHECK, JENN-AIRE OR PENN.

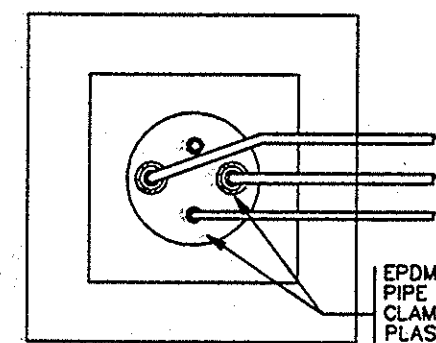
POWER ROOF FAN (EXHAUST OR SUPPLY)



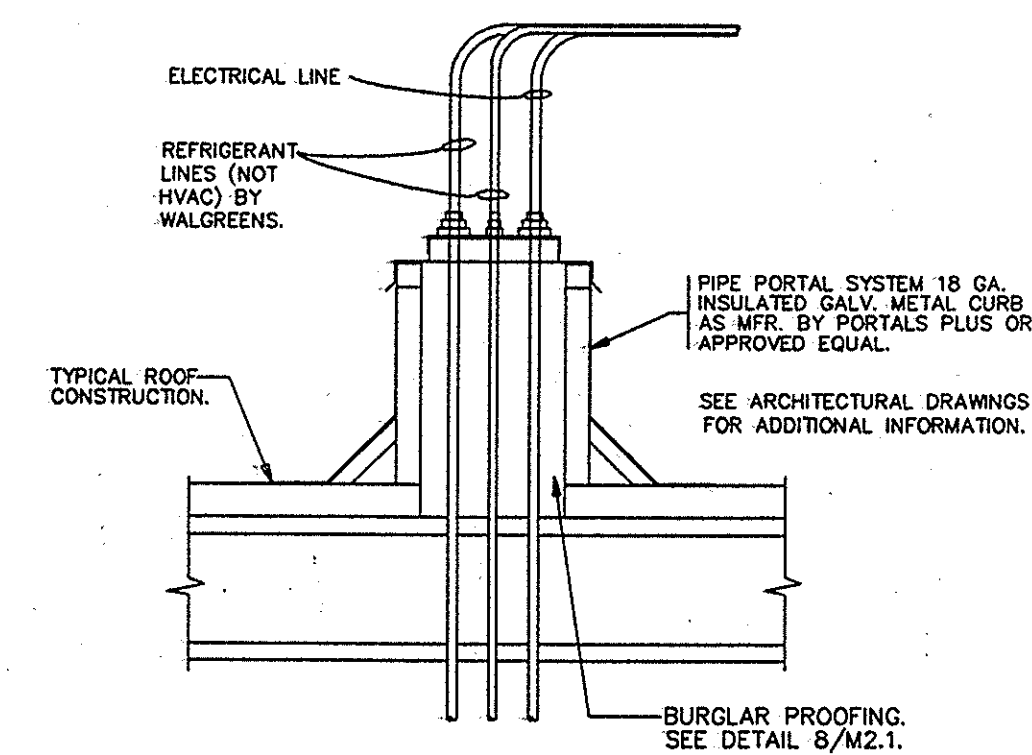
- NOTE:**
1. PROVIDE MOTORIZED BACKDRAFT DAMPERS FOR SUPPLY ROOF FAN.
 2. PROVIDE BURGLAR PROOFING FOR OPENINGS 1'-0" OR LARGER. SEE DETAIL 11/M2.2.

MANUFACTURER: ACME, COOK, GREENHECK, JENN-AIRE OR PENN.

ROOF CURB FOR COMPRESSOR PIPING



EPDM RUBBER CAP (CUT TO FIT PIPE DIA.) W/ STAINLESS STEEL CLAMP ON ABS OR REINFORCED PLASTIC CURB COVER AS MFR. BY: PORTALS PLUS INC. 639 THOMAS DR. BENSenville, IL TEL: (708) 786-5240 (OR APPROVED EQUAL)



SEE ARCHITECTURAL DRAWINGS FOR ADDITIONAL INFORMATION.

BURGLAR PROOFING. SEE DETAIL 9/M2.1.

PACKAGED ROOFTOP A.C. UNIT SCHEDULE (GAS/ELEC)

ACCEPTABLE EQUALS: LENNOX, CARRIER, YORK.

MARK	SERVES	CFM O.A.	FAN				EVAPORATER				CONDENSER		GAS FIRED HEAT MBH INPUT	GAS FIRED HEAT MBH OUTPUT	ELEC. CHAR.			MANUF.	MODEL #	REMARKS	
			CFM	E.S.P.	H.P.	RPM	E.A.T. db	MBH TOTAL	MBH SENS.	AMB.	NO. FANS	H.P.			VOLTS	PHASE	M.C.A.				
RTU-1	SALES	900	7250	.75"	5.0	617	80	66	190.1	155.1	105	2	1.0	250	203	480	3	47	TRANE	YCD211B4	(1)(2)(3)(4)(5)(6)(7)(8)(9)(10)
RTU-2	SALES	900	6400	.75"	5.0	617	80	66	192.1	153.9	105	2	1.0	250	203	480	3	47	TRANE	YCD211B4	(1)(2)(3)(4)(5)(6)(7)(8)(9)(10)
RTU-3	PHARMACY	300	2000	.75"	1.0	N/A	80	66	62.3	49.2	105	1	.40	120	97	480	3	17	TRANE	YCD074C4	(1)(2)(3)(4)(5)(6)(7)(8)(9)(10)
RTU-4	STOREROOM	75	1000	.75"	.50	N/A	78	63	33.1	27.5	105	1	.25	-	-	480	3	10	TRANE	TCD037C	(1)(2)(3)(4)(5)(6)(7)(8)(9)(10)

- (1) PROVIDE FIVE (5) YEAR PARTS WARRANTY ON COMPRESSORS.
- (2) PROVIDE TEN (10) YEAR PARTS WARRANTY ON HEAT EXCHANGERS.
- (3) REFER TO SPECIFICATION SECTION 15E (2G) FOR WARRANTY REQUIREMENTS.
- (4) REFER TO SPECIFICATION SECTION 15E (2A) FOR APPROVED ALTERNATE MANUFACTURERS.
- (5) CONTRACTOR SHALL FURNISH AND INSTALL UNIT WITH FACTORY ROOF CURB.
- (6) PROVIDE FULL SIZE CONDENSATE DRAIN PIPING AT EACH NEW ROOFTOP AC UNIT. REFERENCE PLUMBING DRAWINGS FOR ROUTING AND TERMINATION.
- (7) COORDINATE TRANSITION OF ROOFTOP UNIT DUCTWORK SUPPLY AND RETURN SIZES WITH CEILING MOUNTED DUCTWORK
- (8) UNIT THERMOSTAT TO BE LOCATED AS SHOWN ON SHEET M1.1.
- (9) UNIT FURNISHED WITH FACTORY MOUNTED DIFFERENTIAL ENTHALPY CONTROLS AND BAROMETRIC PRESSURE RELIEF.
- (10) FURNISH GAS PRESSURE REGULATOR AS REQ'D. TO INTERFACE WITH AVAILABLE GAS PRESSURE AND RTU MIN/MAX INLET PRESSURE REQUIREMENTS.
- (11) ELECTRIC COOLING ONLY; EAT EVAPORATOR 78.8°FDB/65°FWB; AMBIENT CONDENSER 100°FDB.
- (12) ROOF CURB FOR CONDENSATE AND GAS PIPING SERVICE TO AND FROM UNIT INSIDE CURB OPENING. NO ADDITIONAL ROOF PENETRATIONS WILL BE ALLOWED.

NO.	DATE	BY	DESCRIPTION
4-23-96	DRK		CLARIFICATIONS, PERMIT REVISIONS & WALGREENS COMMENTS

REVISIONS

CERTIFICATION AND SEAL

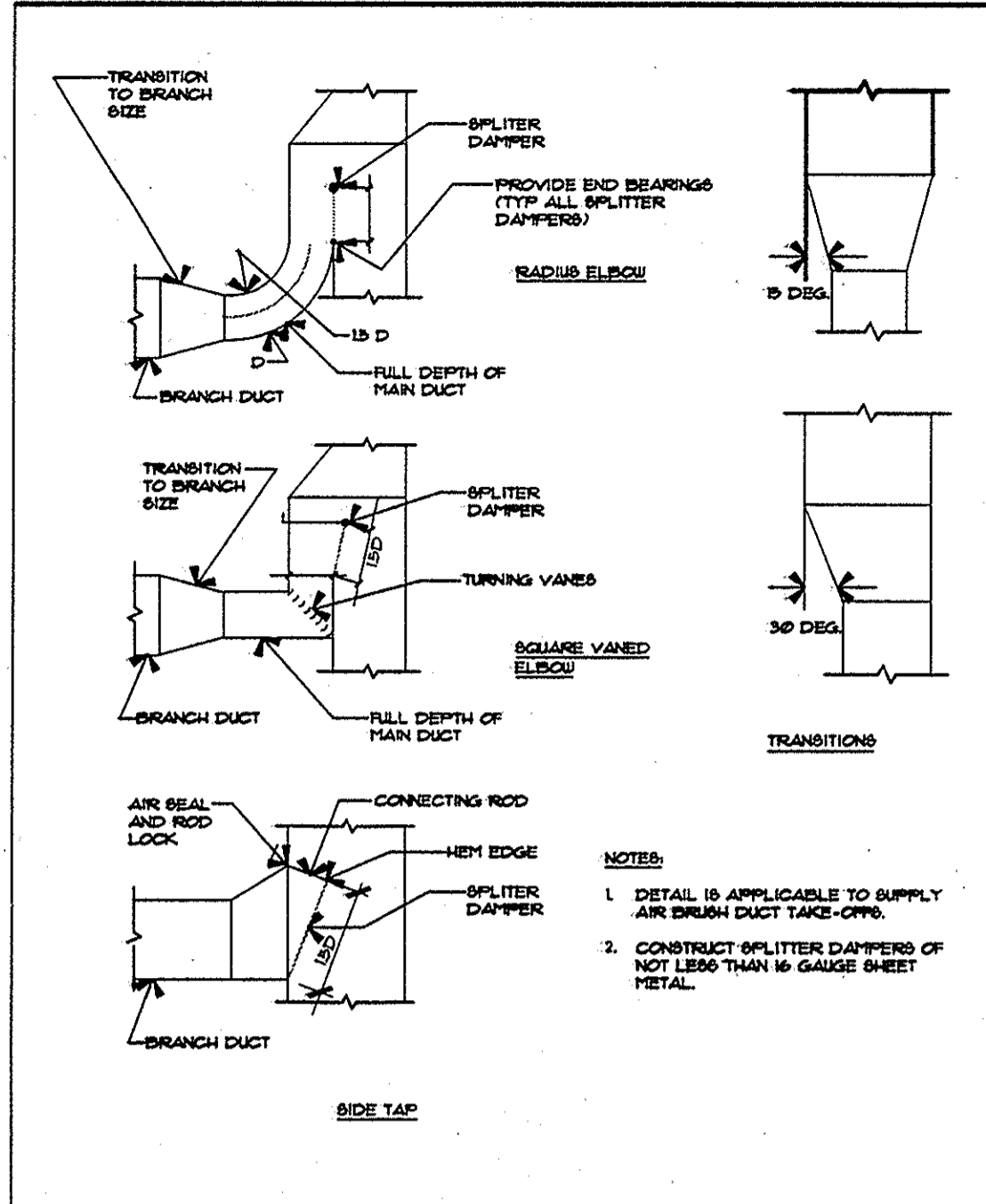
I HEREBY CERTIFY THAT THIS PLAN AND SPECIFICATION WAS PREPARED BY ME OR UNDER MY DIRECT SUPERVISION AND THAT I AM A DULY REGISTERED ARCHITECT OR ENGINEER UNDER THE LAWS OF THE STATE OF TEXAS AS SIGNIFIED BY MY HAND AND SEAL.



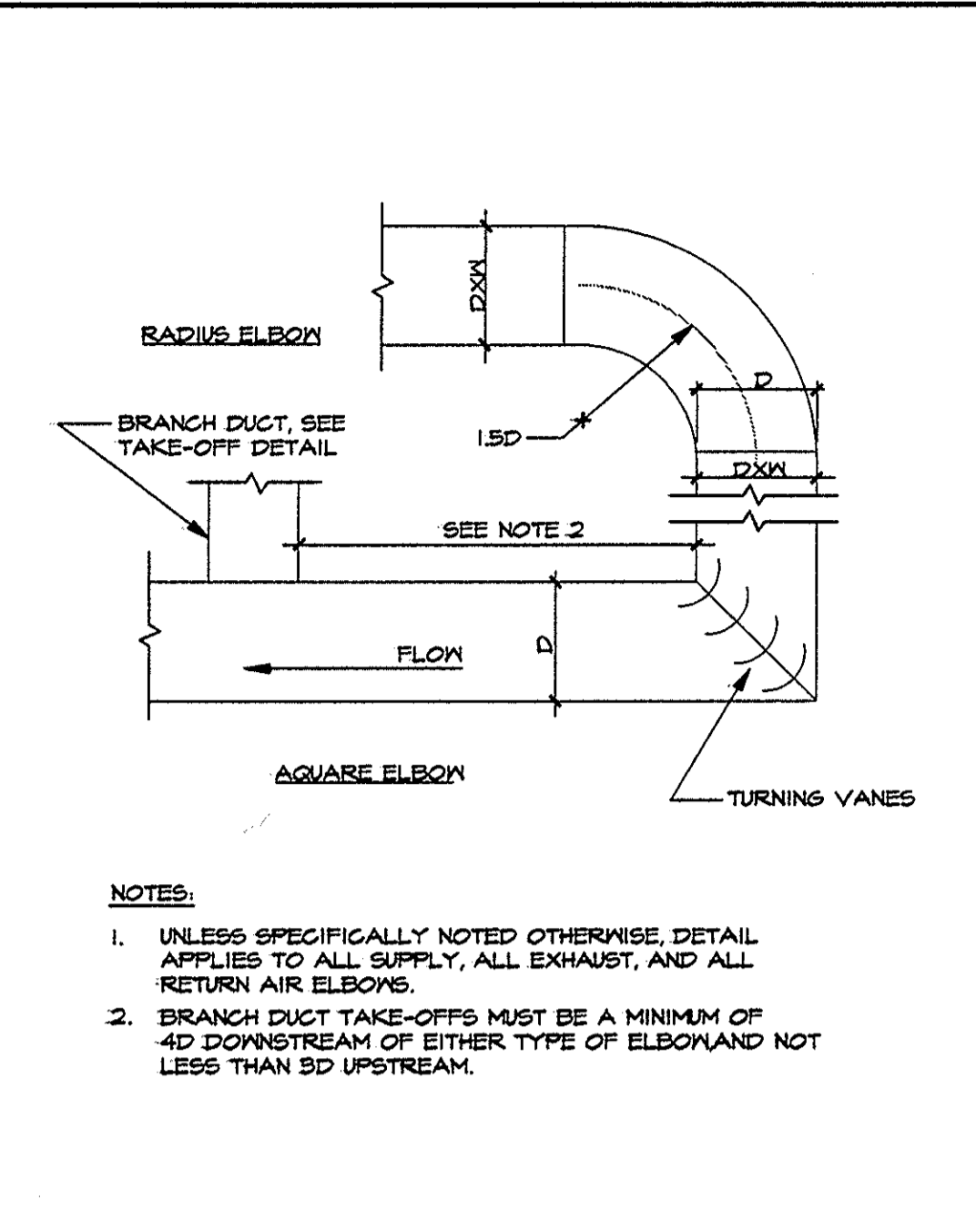
PROJECT NAME
Walgreens
VALLEY RANCH PARKWAY @ MacARTHUR BLVD.
CITY OF IRVING, DALLAS COUNTY, TEXAS

DRAWING TITLE
MECHANICAL SCHEDULES & DETAILS

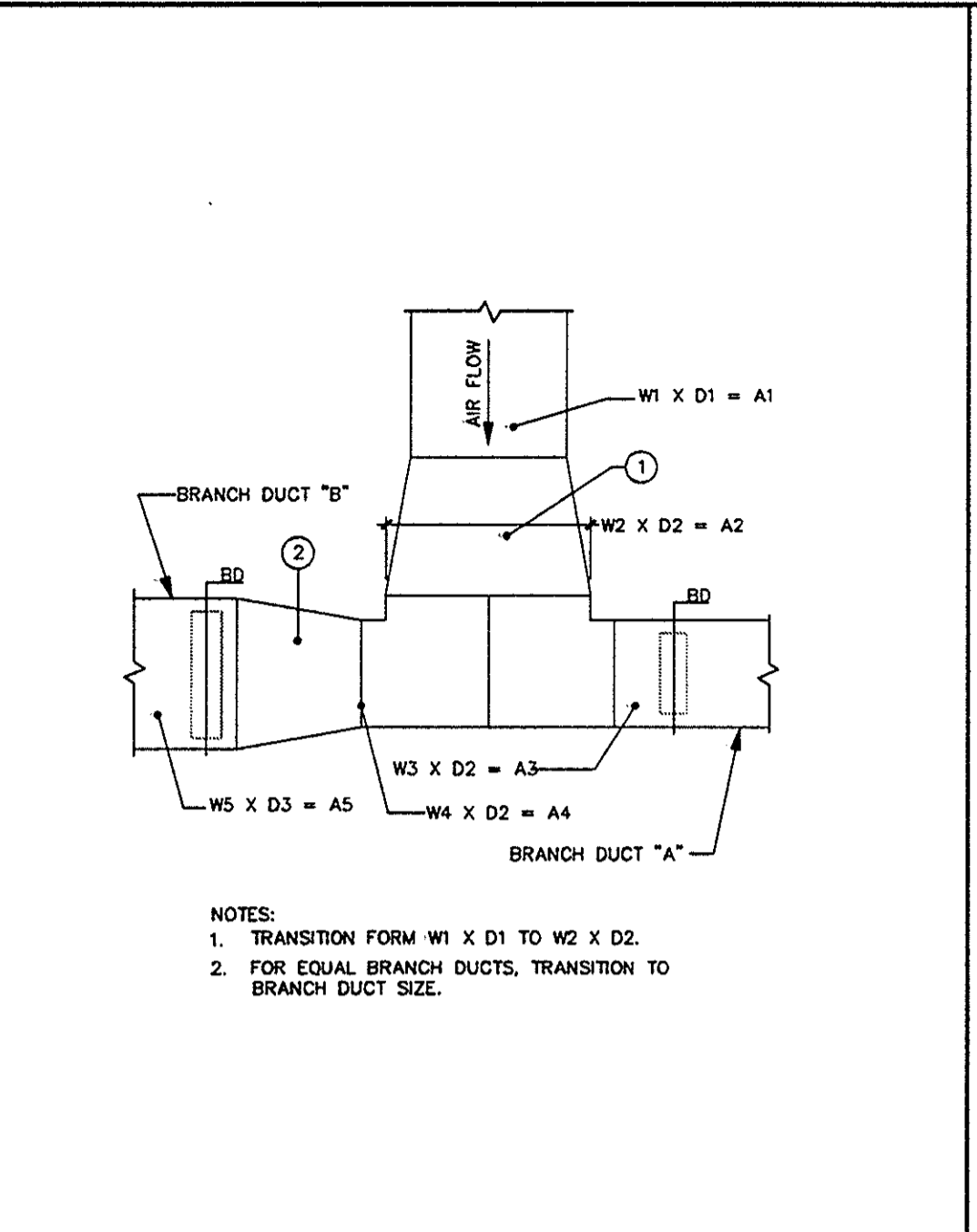
KAI JOB# 95525	ISSUED FOR PERMIT 2-29-96	DRAWING NO.
BLP JOB# 6641.02	ISSUED FOR PRICING 2-23-96	M2.1
STORE NO. 03921	RELEASED FOR CONSTRUCTION 4-26-96	OF DWGS.
DRAWN BY: AH	CHECKED BY: AH	SCALE: NTS



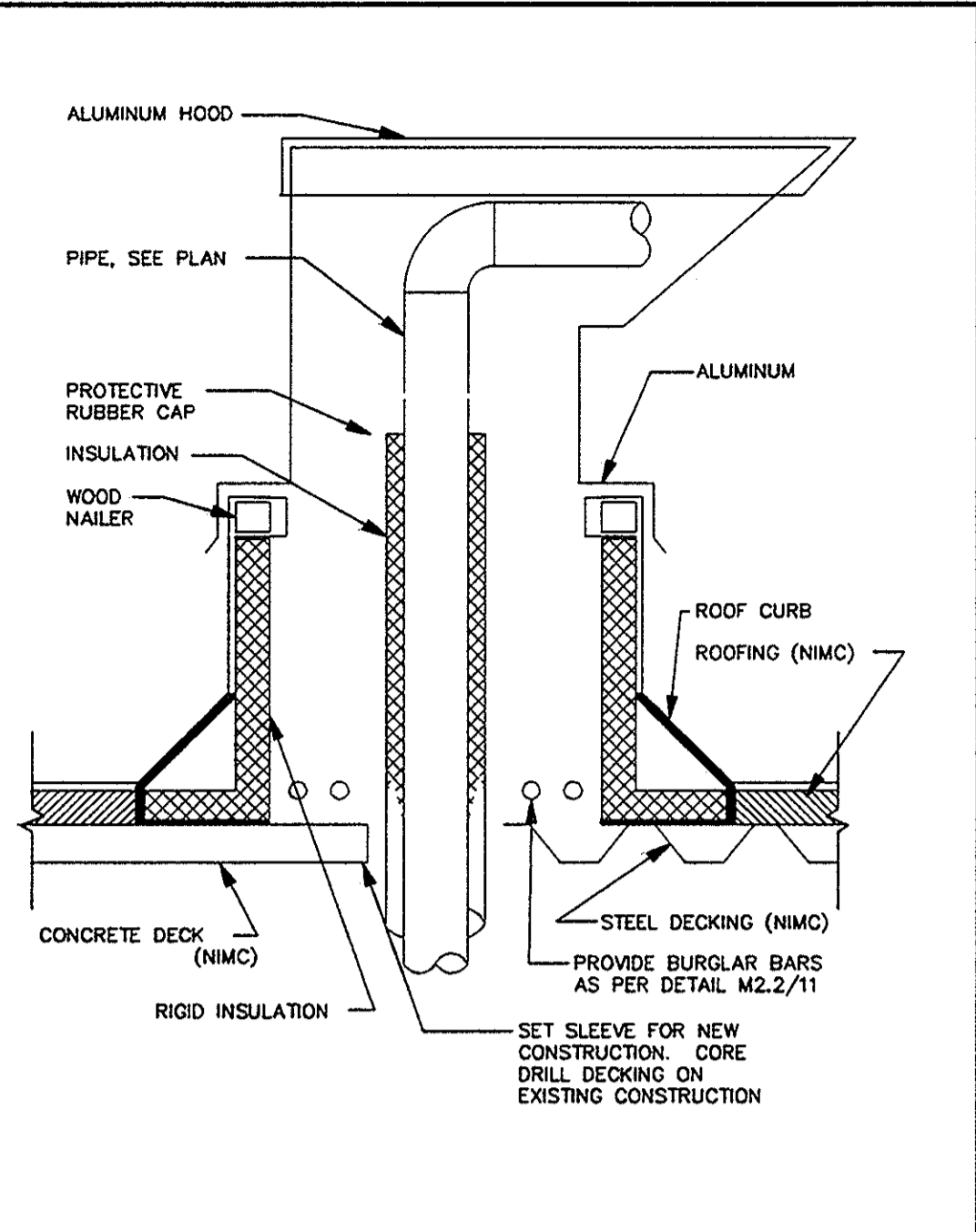
M2.2/01 BRANCH DUCT TAKEOFFS AND TRANSITIONS



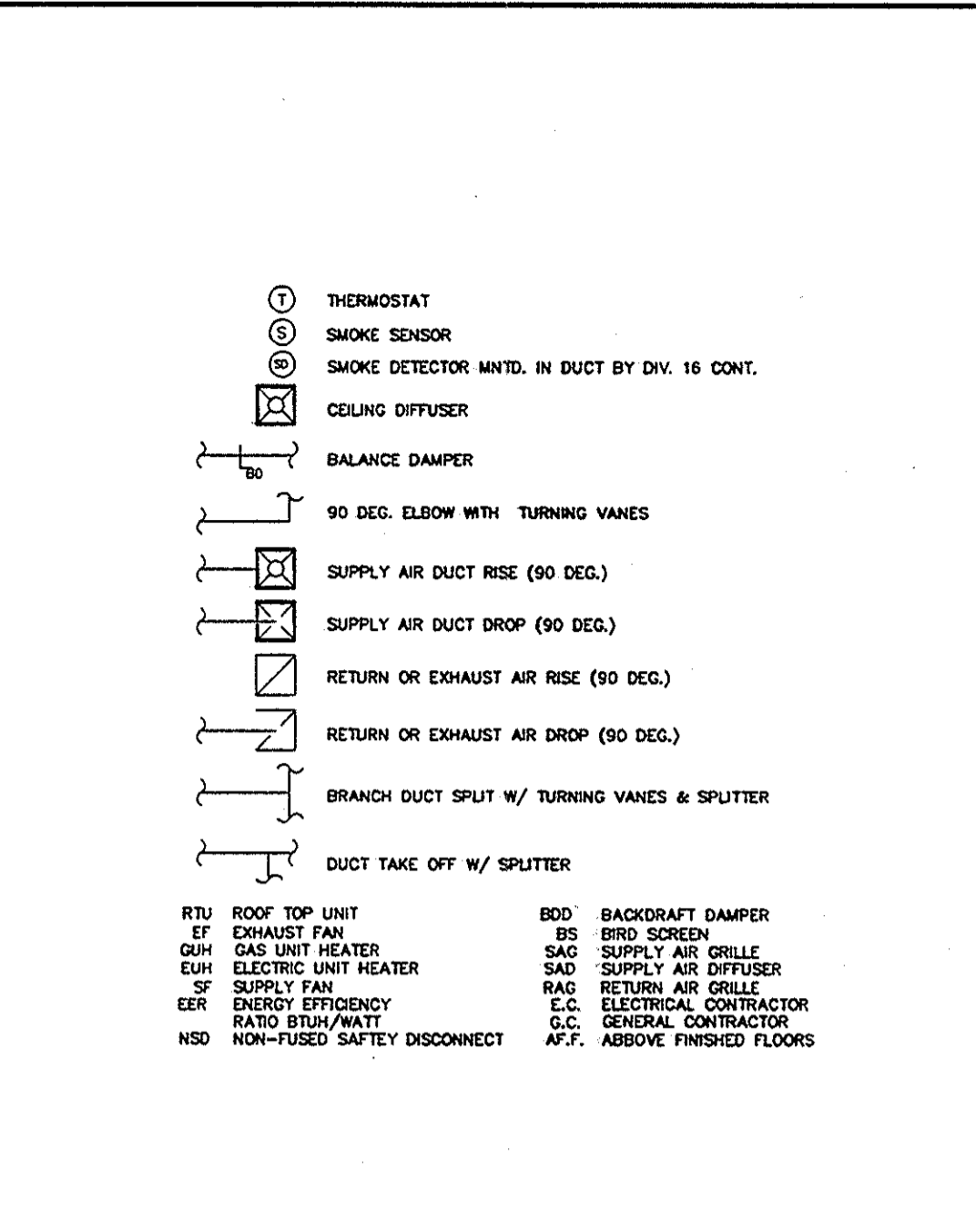
M2.2/02 DUCT ELBOW



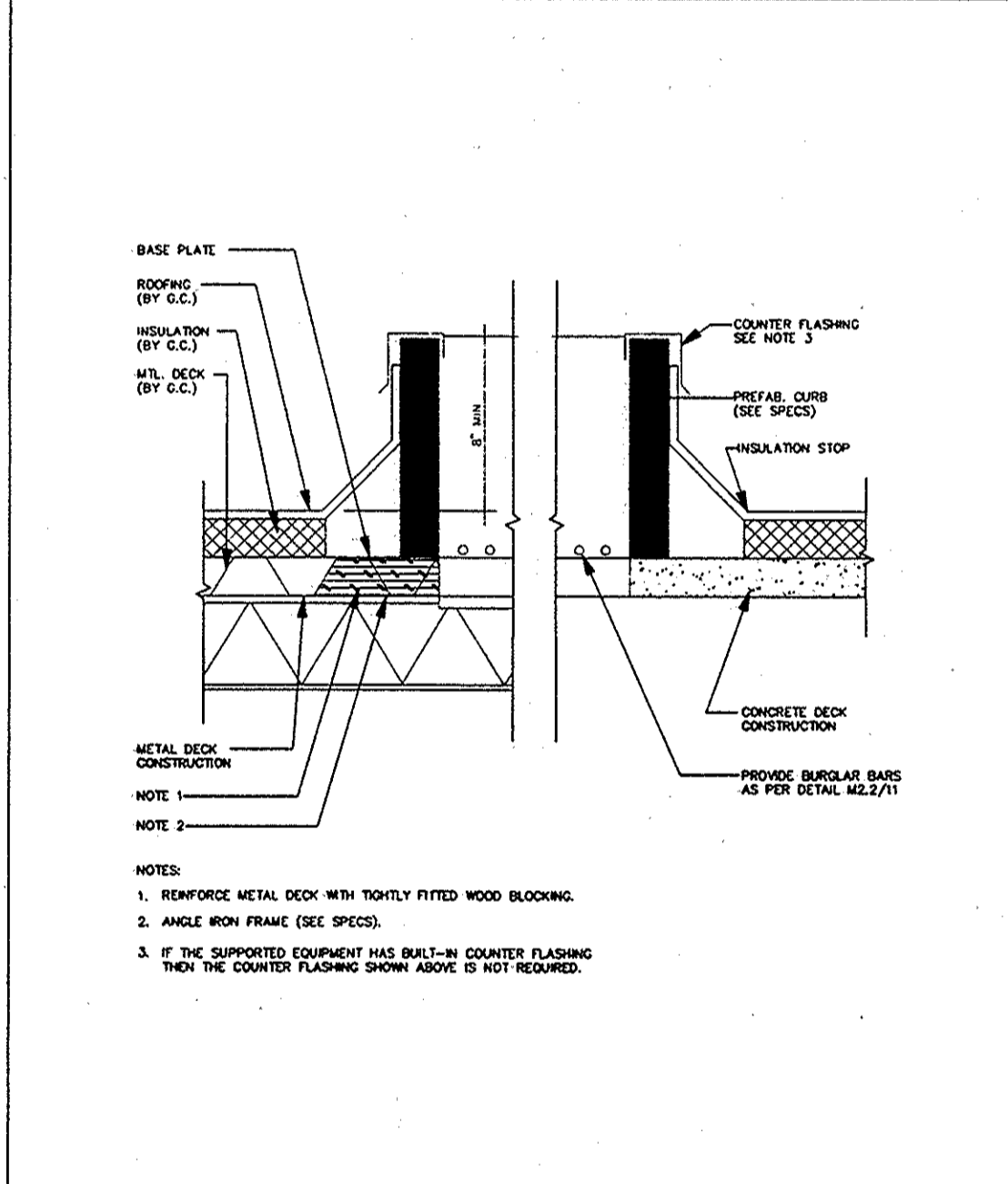
M2.2-03 DUCT TEE FITTING



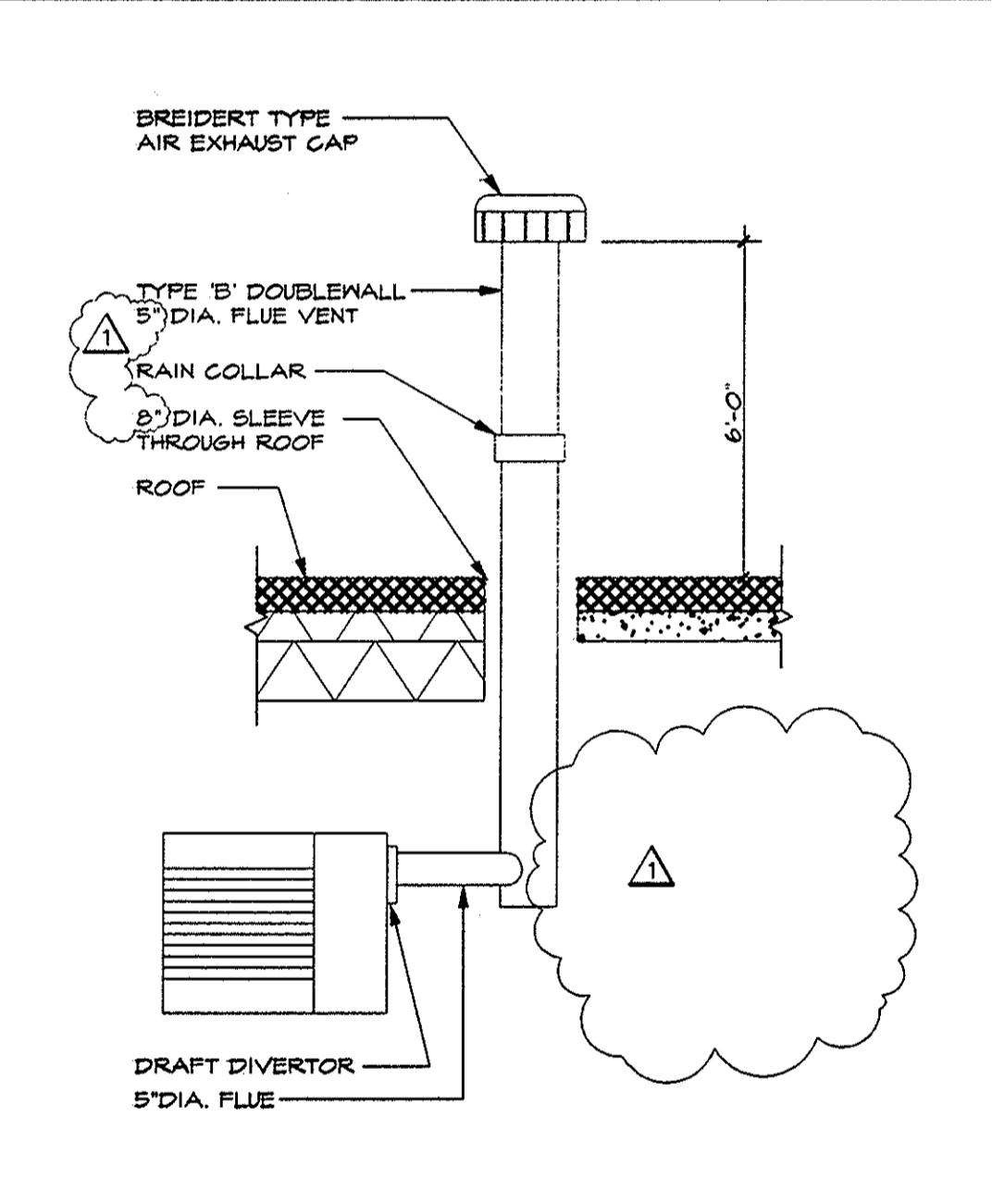
M2.2-04 PIPE PORTAL WITH REMOVABLE ALUMINUM HOOD



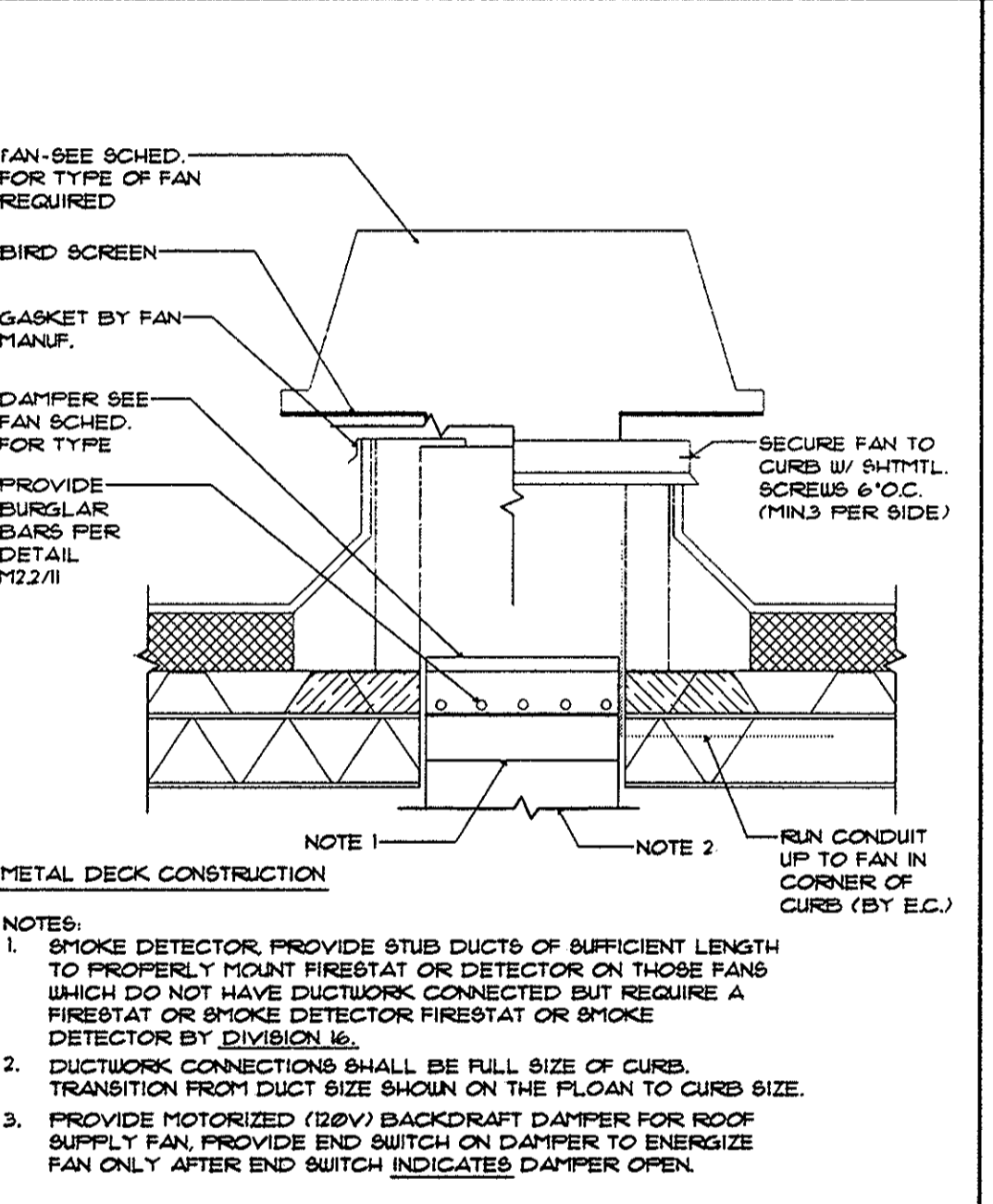
M2.2-05 MECHANICAL SYMBOLS LIST



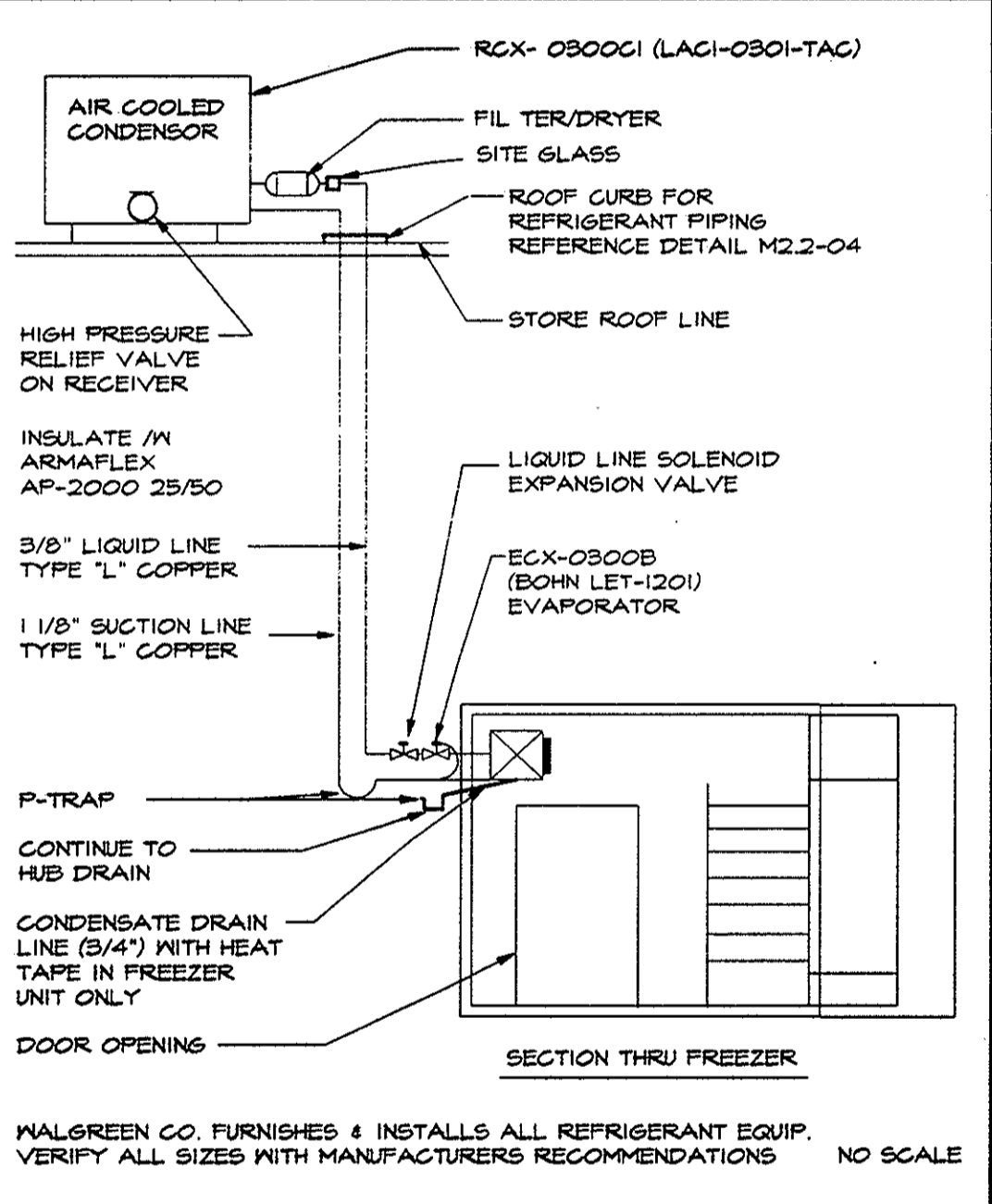
M2.2-06 CURB DETAIL- TYPE A



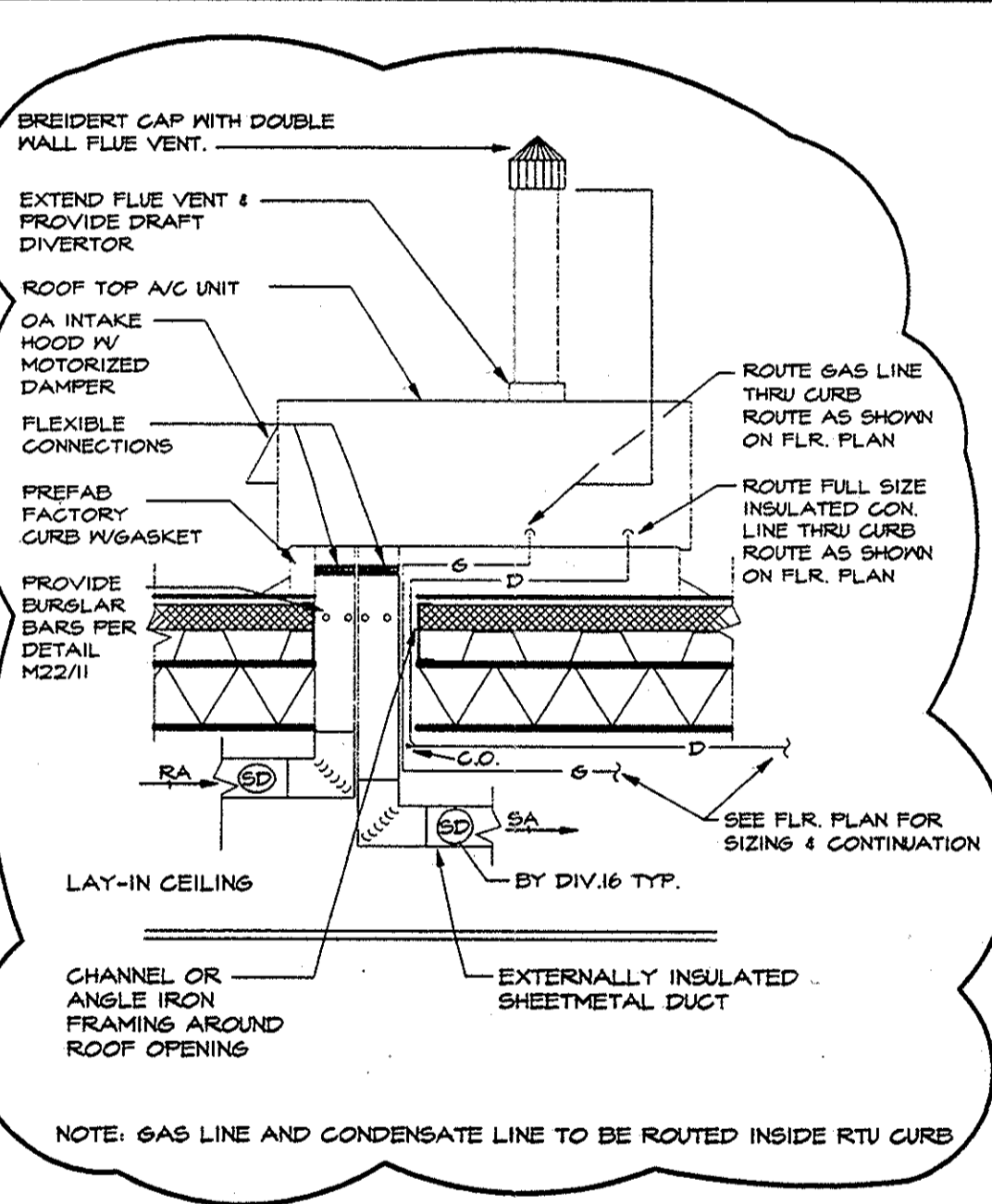
M2.2-07 FLUE DETAIL



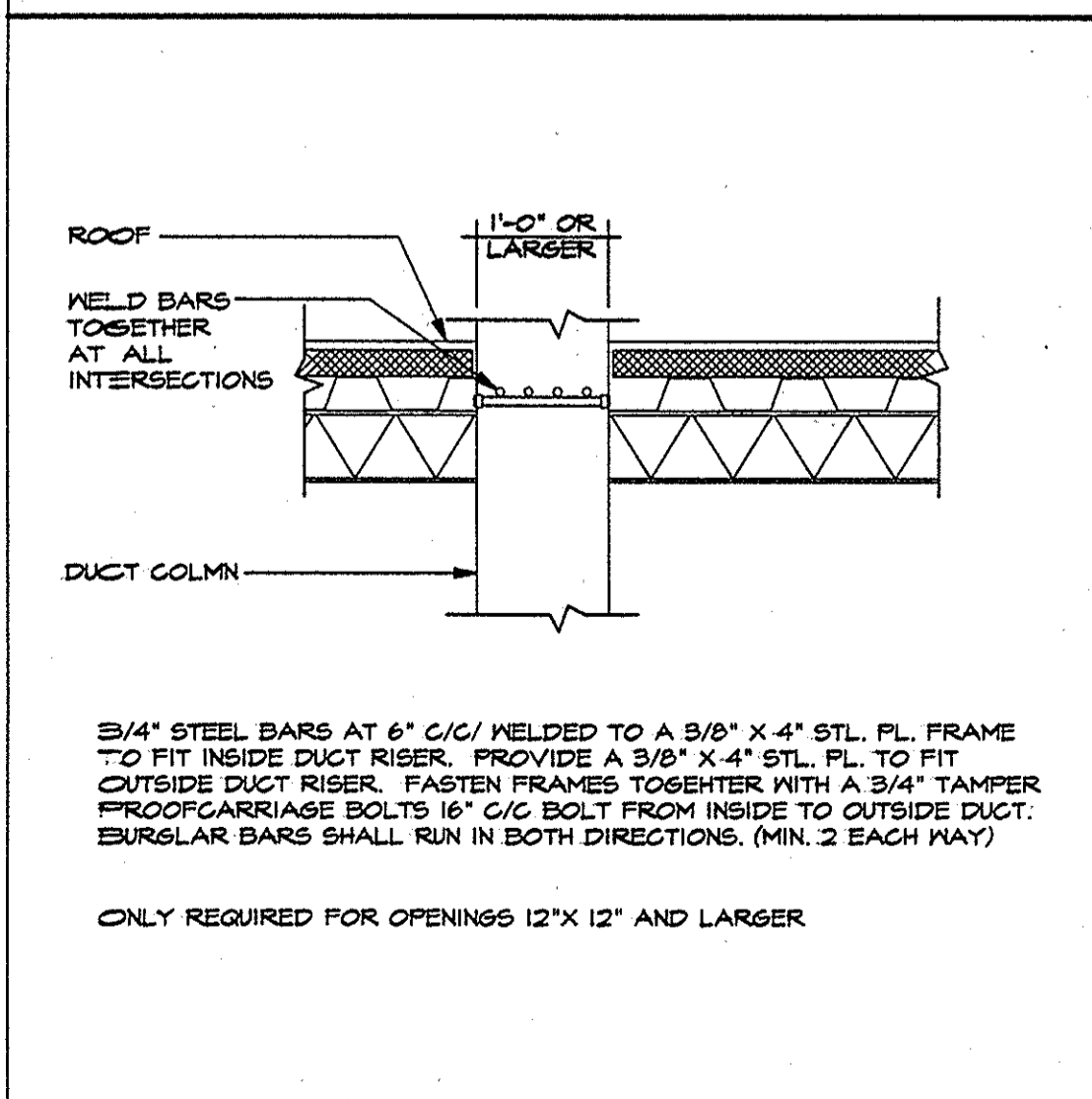
M2.2-08 ROOF MOUNTED FAN



M2.2/09 REFRIGERANT PIPING SCHEMATIC



M2.2-10 ROOF TOP A/C UNIT SECTION (TYPICAL)



M2.2-11 BURGLAR BAR DETAIL

PROJECT TYPE

DRAWINGS/SPECIFICATIONS BY:

- WALGREENS' CONSULTANT
- LANDLORD'S CONSULTANT

ALL CONSTRUCTION WORK, UNLESS NOTED OTHERWISE BY:

- WALGREENS' CONTRACTOR
- LANDLORD'S CONTRACTOR (TURNKEY CONSTRUCTION)

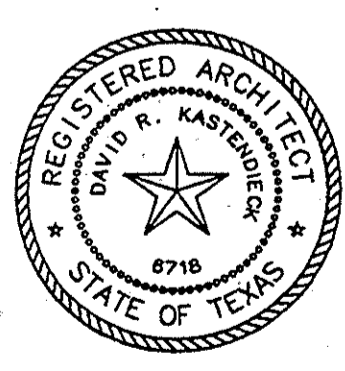
STORE	BUILDING
NEW..... <input checked="" type="checkbox"/>	NEW..... <input checked="" type="checkbox"/>
REMODELING... <input type="checkbox"/>	EXISTING..... <input type="checkbox"/>
RELOCATION... <input type="checkbox"/>	NEW SHELL ONLY <input type="checkbox"/>
OTHER..... <input type="checkbox"/>	

NO.	DATE	BY	DESCRIPTION
4-23-96	DRK		CLARIFICATIONS, PERMIT REVISIONS & WALGREENS COMMENTS

REVISIONS

CERTIFICATION AND SEAL

I HEREBY CERTIFY THAT THIS PLAN AND SPECIFICATION WAS PREPARED BY ME OR UNDER MY DIRECT SUPERVISION AND THAT I AM A DULY REGISTERED ARCHITECT OR ENGINEER UNDER THE LAWS OF THE STATE OF TEXAS AS SIGNIFIED BY MY HAND AND SEAL.



PROJECT NAME
Walgreens
VALLEY RANCH PARKWAY @ McARTHUR BLVD.
CITY OF IRVING, DALLAS COUNTY, TEXAS

DRAWING TITLE
MECHANICAL DETAILS

KAI JOB# 95525	ISSUED FOR PERMIT 2-29-96	DRAWING NO.
BLP JOB# 6641.02	ISSUED FOR PRICING 2-23-96	M2.2
STORE NO. 03921	RELEASED FOR CONSTRUCTION 4-26-96	OF _____ DWGS.
DRAWN BY: AH		
CHECKED BY: AH		
SCALE: NO SCALE		

95525 X17-BRDR.DWG