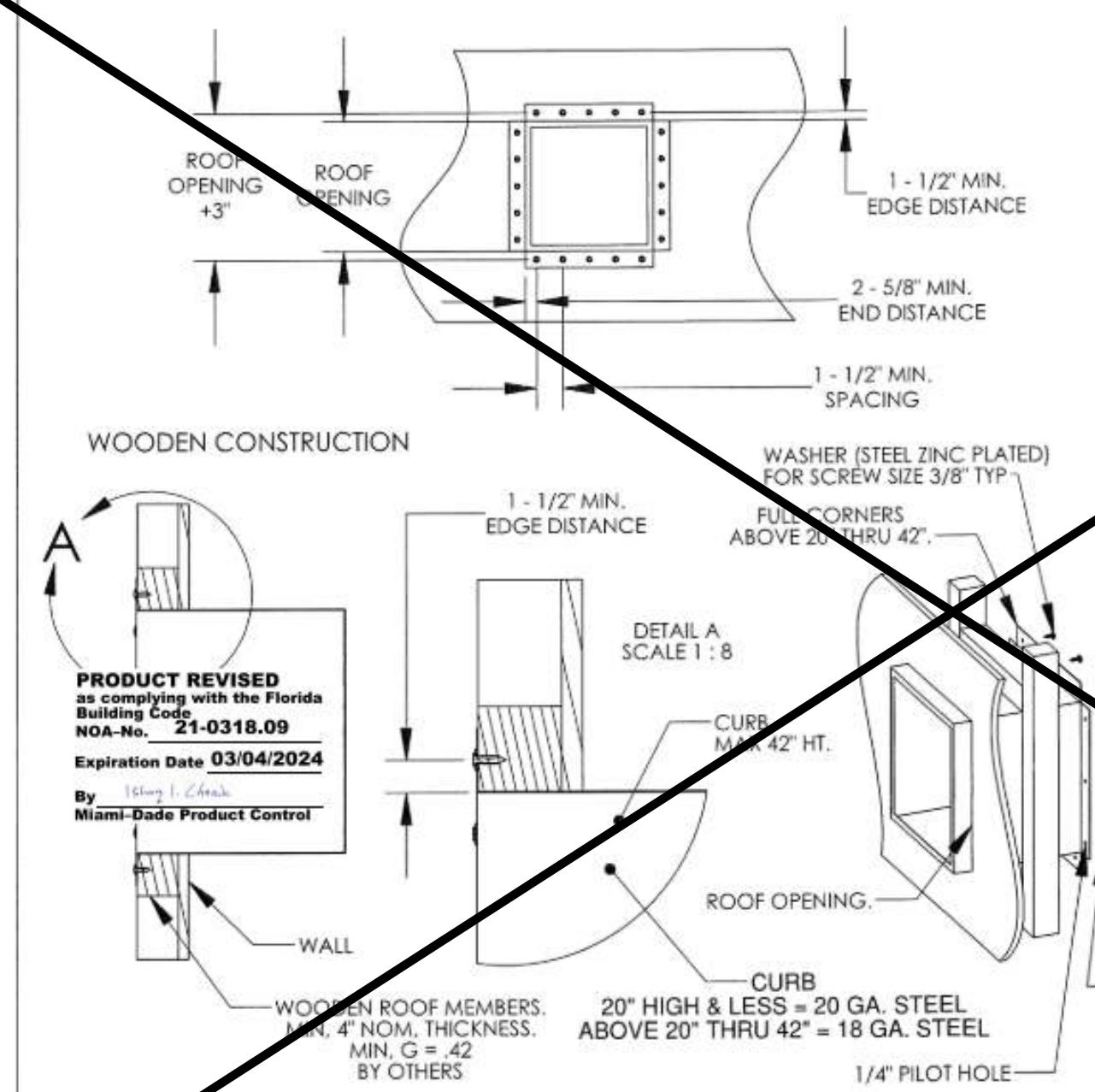


Miami-Dade County - Wall Curb Installation Guide For Wood Construction



CaptiveAire, Inc. commercial kitchen ventilation
4641 Paragon Park Road, Raleigh, NC 27616
P 800 334 9225 | F 919 227 5994

TABLE A: FAN TO CURB

Unit Size	Base Size	Curb Size	Fan(s) Per Side	Total
DU10, DU12 / DR10, DR12 / DDAR10, DDAR12	19"	17-1/2"	3	12
DU25, DU30, DU33, DU50, NCA08, NCA10 / DR25, DR30, DR33, DR50, DD7, DD8, DD9, DD11, DD13 / DDAR14, DMUA14	21"	19-1/2"	3	12
DU75, DU85, NCA14 / DR75, DR85, DD15	34-3/4"	33"	3	12
DDAR18, DMUA18	25"	24-1/2"	3	12
DU180, DU200, NCA16, NCA18 / DR180, DR200, DD18, DD20	28"	26-1/2"	3	12
DU240, NCA24 / DR240, DD24	33"	31-1/2"	3	12
DU300, NCA30 / DR300, DD30				
DU360, NCA36 / DR360, DD36				

TABLE B: CURB TO WALL

Unit Size	Wood	
	Per Side	Total
DU10, DU12 / DR10, DR12 / DDAR10, DDAR12	3	12
DU25, DU30, DU33, DU50, NCA08, NCA10 / DR25, DR30, DR33, DR50, DD7, DD8, DD9, DD11, DD13 / DDAR14, DMUA14	3	12
DU75, DU85, NCA14 / DR75, DR85, DD15	4	16
DDAR18, DMUA18	5	20
DU180, DU200, NCA16, NCA18 / DR180, DR200, DD18, DD20	5	20
DU240, NCA24 / DR240, DD24	6	24
DU300, NCA30 / DR300, DD30		
DU360, NCA36 / DR360, DD36		

SEE PAGE 13 FOR ALTERNATE BRANDS
RICE ENGINEERING
105 School Creek Trail
Lumburg, WI 54217
Phone: (800) 617-1042
Fax: (800) 617-1100
www.rice-usa.com
Florida Firm No: F-0100000961
Certificate of Authorization: #9090
Wayne K. Helmick
Registration No: 59092



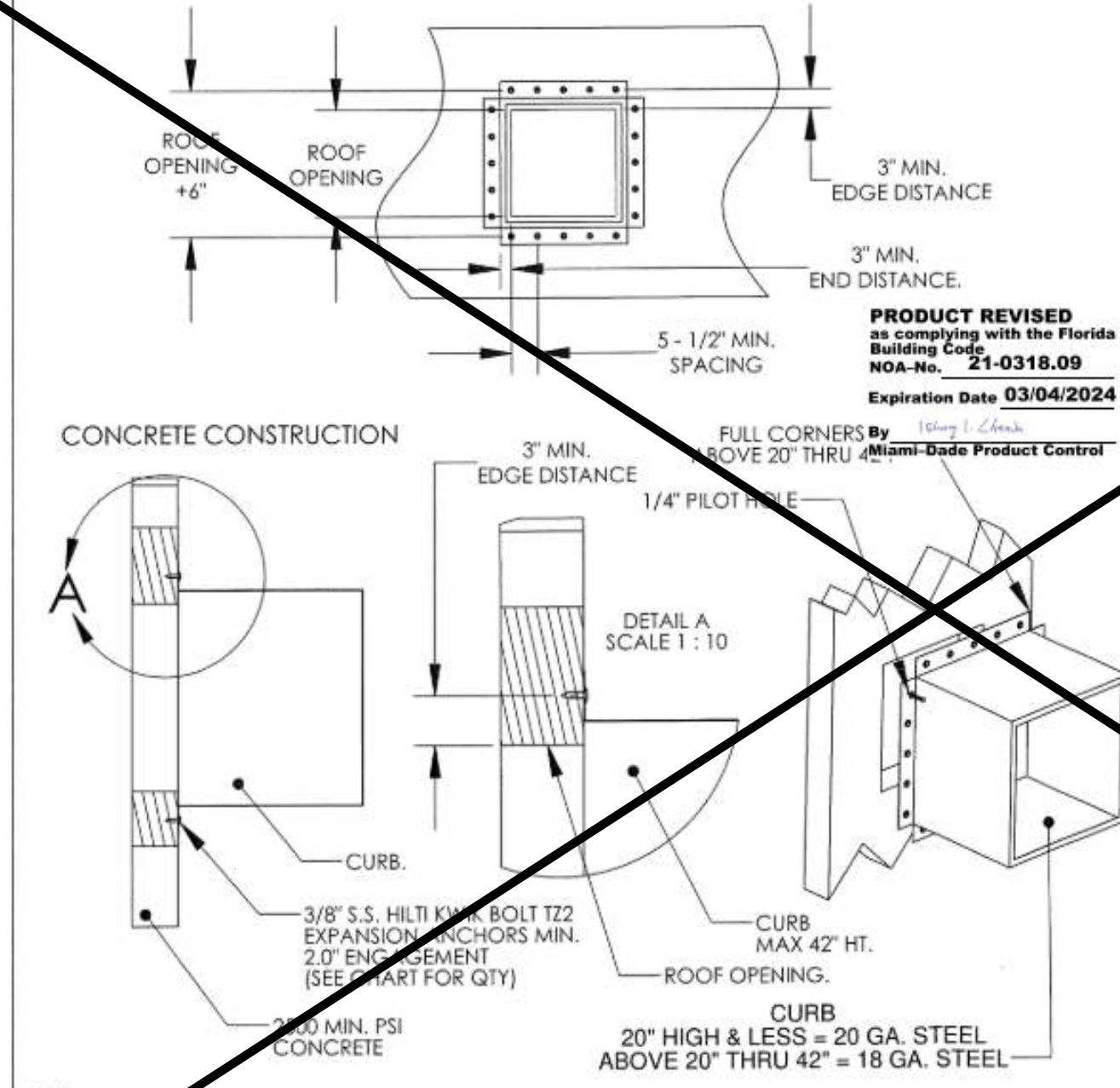
Notes:
1. Tested in accordance to Florida Building Code test protocol TAS-201, TAS-202, TAS203.
2. Tested for areas including high velocity hurricane zones.
3. Tested under Miami-Dade County Notification number ATI 18033.

Material: N/A
Blank Size: N/A x N/A
Weight: N/A lbs

Part Number: N/A
MAC/COLA Number: N/A
Drawing Name: CURB
Drawn By: N Perry
Drawing Number: EXHAUST10
Sheet: 10 of 13

Unless Otherwise Specified Dimensions are in Inches.
Standard Tolerances are:
Fraction: 1/16
Decimal: .005
Angles: 1/2° ± 0.015

Miami-Dade County - Wall Curb Installation Guide For Concrete Construction



CaptiveAire, Inc. commercial kitchen ventilation
4641 Paragon Park Road, Raleigh, NC 27616
P 800 334 9225 | F 919 227 5994

TABLE A: FAN TO CURB

Unit Size	Base Size	Curb Size	Fan(s) Per Side	Total
DU10, DU12 / DR10, DR12 / DDAR10, DDAR12	19"	17-1/2"	3	12
DU25, DU30, DU33, DU50, NCA08, NCA10 / DR25, DR30, DR33, DR50, DD7, DD8, DD9, DD11, DD13 / DDAR14, DMUA14	21"	19-1/2"	3	12
DU75, DU85, NCA14 / DR75, DR85, DD15	34-3/4"	33"	3	12
DDAR18, DMUA18	25"	24-1/2"	3	12
DU180, DU200, NCA16, NCA18 / DR180, DR200, DD18, DD20	28"	26-1/2"	3	12
DU240, NCA24 / DR240, DD24	33"	31-1/2"	3	12
DU300, NCA30 / DR300, DD30				
DU360, NCA36 / DR360, DD36				

TABLE B: CURB TO WALL

Unit Size	Concrete	
	Per Side	Total
DU10, DU12 / DR10, DR12 / DDAR10, DDAR12	3	12
DU25, DU30, DU33, DU50, NCA08, NCA10 / DR25, DR30, DR33, DR50, DD7, DD8, DD9, DD11, DD13 / DDAR14, DMUA14	3	12
DU75, DU85, NCA14 / DR75, DR85, DD15	4	16
DDAR18, DMUA18	5	20
DU180, DU200, NCA16, NCA18 / DR180, DR200, DD18, DD20	5	20
DU240, NCA24 / DR240, DD24	6	24
DU300, NCA30 / DR300, DD30		
DU360, NCA36 / DR360, DD36		

Notes:
1. Tested in accordance to Florida Building Code test protocol TAS-201, TAS-202, TAS203.
2. Tested for areas including high velocity hurricane zones.
3. Tested under Miami-Dade County Notification number ATI 18033.

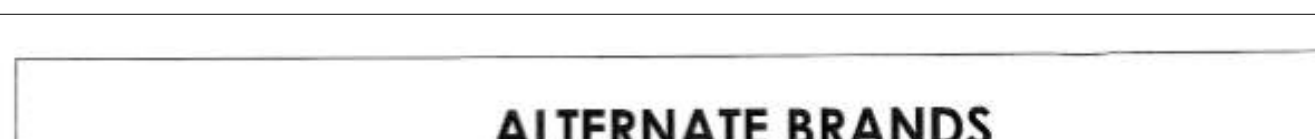
Material: N/A
Blank Size: N/A x N/A
Weight: N/A lbs

Part Number: N/A
MAC/COLA Number: N/A
Drawing Name: ALTERNATE BRANDS
Drawn By: N Perry
Drawing Number: EXHAUST11
Sheet: 11 of 13

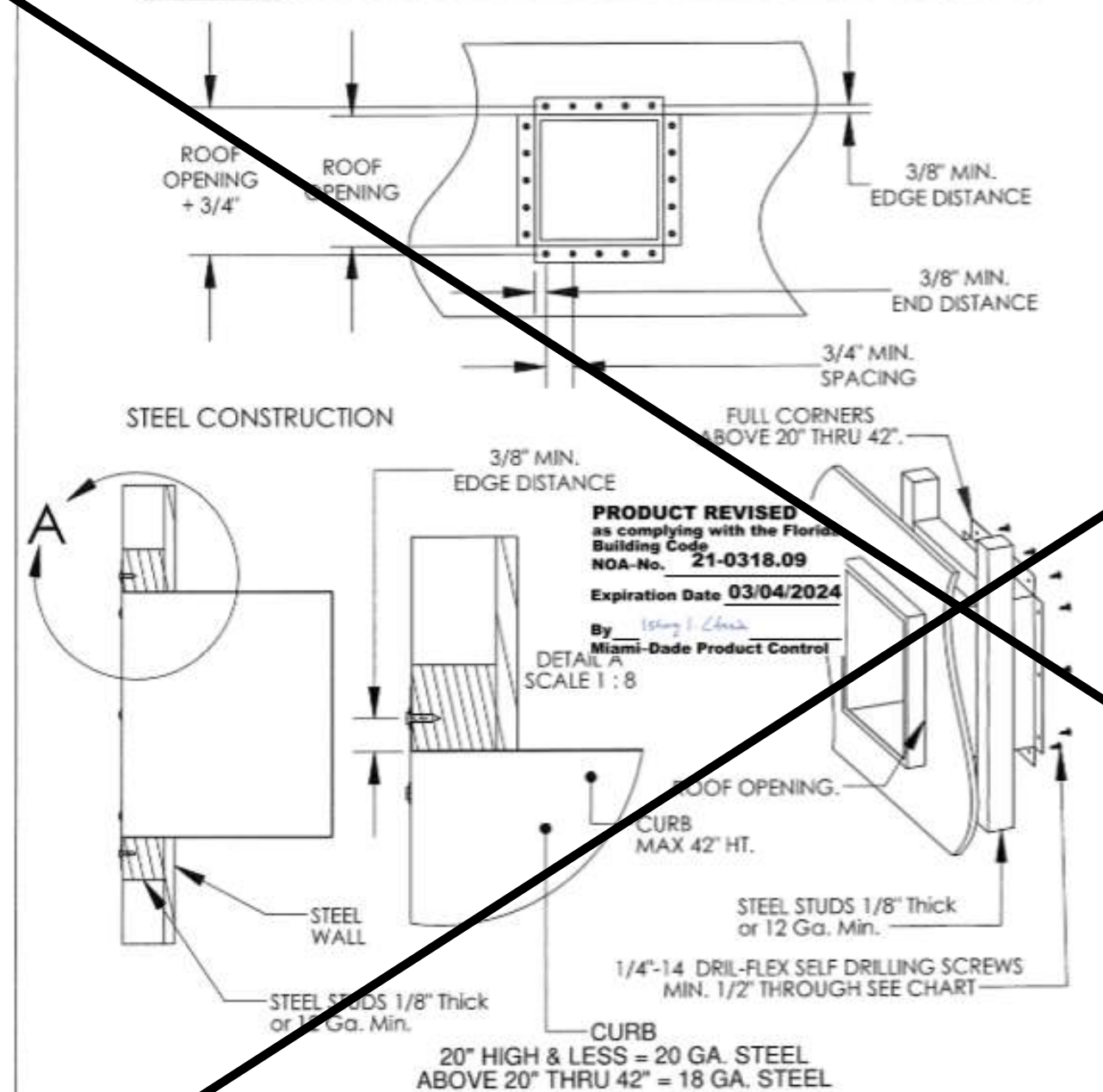
Unless Otherwise Specified Dimensions are in Inches.
Standard Tolerances are:
Fraction: 1/16
Decimal: .005
Angles: 1/2° ± 0.015

PRODUCT REVISED as complying with the Florida Building Code NOA No. 21-0318.09 Expiration Date: 03/04/2024 By: Wayne K. Helmick Miami-Dade Product Control

RICE ENGINEERING
105 School Creek Trail
Lumburg, WI 54217
Phone: (800) 617-1042
Fax: (800) 617-1100
www.rice-usa.com
Florida Firm No: F-0100000961
Certificate of Authorization: #9090
Wayne K. Helmick
Registration No: 59092



Miami-Dade County - Wall Curb Installation Guide For Steel Construction



CaptiveAire, Inc. commercial kitchen ventilation
4641 Paragon Park Road, Raleigh, NC 27616
P 800 334 9225 | F 919 227 5994

TABLE A: FAN TO CURB

Unit Size	Base Size	Curb Size	Fan(s) Per Side	Total
DU10, DU12 / DR10, DR12 / DDAR10, DDAR12	19"	17-1/2"	3	12
DU25, DU30, DU33, DU50, NCA08, NCA10 / DR25, DR30, DR33, DR50, DD7, DD8, DD9, DD11, DD13 / DDAR14, DMUA14	21"	19-1/2"	3	12
DU75, DU85, NCA14 / DR75, DR85, DD15	34-3/4"	33"	3	12
DDAR18, DMUA18	25"	24-1/2"	3	12
DU180, DU200, NCA16, NCA18 / DR180, DR200, DD18, DD20	28"	26-1/2"	3	12
DU240, NCA24 / DR240, DD24	33"	31-1/2"	3	12
DU300, NCA30 / DR300, DD30				
DU360, NCA36 / DR360, DD36				

TABLE B: CURB TO WALL

Unit Size	Steel	
	Per Side	Total
DU10, DU12 / DR10, DR12 / DDAR10, DDAR12	3	12
DU25, DU30, DU33, DU50, NCA08, NCA10 / DR25, DR30, DR33, DR50, DD7, DD8, DD9, DD11, DD13 / DDAR14, DMUA14	4	16
DU75, DU85, NCA14 / DR75, DR85, DD15	5	20
DDAR18, DMUA18	6	24
DU180, DU200, NCA16, NCA18 / DR180, DR200, DD18, DD20	6	24
DU240, NCA24 / DR240, DD24	7	28
DU300, NCA30 / DR300, DD30		
DU360, NCA36 / DR360, DD36		

Notes:
1. Tested in accordance to Florida Building Code test protocol TAS-201, TAS-202, TAS203.
2. Tested for areas including high velocity hurricane zones.
3. Tested under Miami-Dade County Notification number ATI 18033.

Material: N/A
Blank Size: N/A x N/A
Weight: N/A lbs

Part Number: N/A
MAC/COLA Number: N/A
Drawing Name: CURB
Drawn By: N Perry
Drawing Number: EXHAUST12
Sheet: 12 of 13

Unless Otherwise Specified Dimensions are in Inches.
Standard Tolerances are:
Fraction: 1/16
Decimal: .005
Angles: 1/2° ± 0.015



PRODUCT REVISED as complying with the Florida Building Code NOA No. 21-0318.09 Expiration Date: 03/04/2024 By: Wayne K. Helmick Miami-Dade Product Control

RICE ENGINEERING
105 School Creek Trail
Lumburg, WI 54217
Phone: (800) 617-1042
Fax: (800) 617-1100
www.rice-usa.com
Florida Firm No: F-0100000961
Certificate of Authorization: #9090
Wayne K. Helmick
Registration No: 59092

ALTERNATE BRANDS

UPBLAST ALUMINUM FANS		DOWNBLAST ALUMINUM FANS	
CAS FAN MODEL	RUPP FAN MODEL	CAS FAN MODEL	RUPP FAN MODEL
DU10	DU10HRA	DR10	DR10HRA
DU12	DU12HRA	DR12	DR12HRA
DU25	DU25HRA	DR25	DR25HRA
DU30	DU30HRA	DR30	DR30HRA
DU33	DU33HRA	DR33	DR33HRA
DU50	DU50HRA	DR50	DR50HRA
DU75	DU75HRA	DR75	DR75HRA
DU85	DU85HRA	DR85	DR85HRA
DU180	DU180HRA	DR180	DR180HRA
DU200	DU200HRA	DR200	DR200HRA
DU240	DU240HRA	DR240	DR240HRA
DU300	DU300HRA	DR300	DR300HRA
DU360	DU360HRA	DR360	DR360HRA
NCA08	BDU11RA	DD7	BDCR7RA
NCA10	BDU13RA	DD8	BDCR8RA
NCA14	BDU15RA	DD9	BDCR9RA
NCA16	BDU18RA	DD11	BDCR11RA
NCA18	BDU20RA	DD13	BDCR13RA
NCA24	BDU24RA	DD15	BDCR15A
NCA30	BDU30RA	DD18	BDCR18RA
NCA36	BDU36RA	DD20	BDCR20RA
N/A	N/A	DD24	BDCR24RA
N/A	N/A	DD30	BDCR30RA
N/A	N/A	DD36	BDCR36RA
N/A	N/A	DDAR10	DDAR10RA
N/A	N/A	DDAR12	DDAR12RA
N/A	N/A	DDAR14	DDAR14RA
N/A	N/A	DDAR18	DDAR18RA
N/A	N/A	DMUA14	DMUA14RA
N/A	N/A	DMUA18	DMUA18RA

Notes:
1. Tested in accordance to Florida Building Code test protocol TAS-201, TAS-202, TAS203.
2. Tested for areas including high velocity hurricane zones.
3. Tested under Miami-Dade County Notification number ATI 18033.

Material: N/A
Blank Size: N/A
Weight: N/A

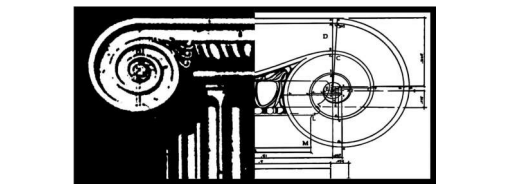
Part Number: N/A
MAC/COLA Number: N/A
Drawing Name: ALTERNATE BRANDS
Drawn By: J.H
Drawing Number: EXHAUST13
Sheet: 13 of 13

Unless Otherwise Specified Dimensions are in Inches.
Standard Tolerances are:
Fraction: 1/16
Decimal: .005
Angles: 1/2° ± 0.015



PRODUCT REVISED as complying with the Florida Building Code NOA No. 21-0318.09 Expiration Date: 03/04/2024 By: Wayne K. Helmick Miami-Dade Product Control

RICE ENGINEERING
105 School Creek Trail
Lumburg, WI 54217
Phone: (800) 617-1042
Fax: (800) 617-1100
www.rice-usa.com
Florida Firm No: F-0100000961
Certificate of Authorization: #9090
Wayne K. Helmick
Registration No: 59092



STEFANO De LUCA & ASSOCIATES, INC.
Architecture & Design

4501 Pines Street
Hollywood, FL 33021
P (954) 927-2690 F (954) 367-3494

Stefano De Luca
Florida Registered Architect
AR0014815



If this item has been digitally signed and sealed by Stefano De Luca using a digital signature, printed copies of this document are not considered signed and sealed and the SHA authentication code must be verified on any electronic copies.

COPYRIGHT 2023
THIS DRAWING IS AN INSTRUMENT OF SERVICE AND AS SUCH REMAINS THE PROPERTY OF CHIPOTLE MEXICAN GRILL, INC. PERMISSION FOR USE OF THIS DOCUMENT IS LIMITED AND CAN BE EXTENDED ONLY BY WRITTEN AGREEMENT WITH CHIPOTLE MEXICAN GRILL, INC.



CHIPOTLE MEXICAN GRILL, INC.
PO BOX 182566
COLUMBUS, OH 43218-2566
TELEPHONE: (614) 318-2400
INTERNET: WWW.CHIPOTLE.COM

STORE NO.: 4351
MIMO
5396 BISCAYNE BLVD.
MIAMI, FL 33137

Issue Record:

10.31.23	PERMIT SET
11.11.24	BID SET
02.07.25	CONSTRUCTION SET

Revisions:

Drawn: ARL
Checked: SDL

Project No: SDLA# 2121

Contents:
PRODUCT APPROVAL - EF

A833

EXHAUST FAN INFORMATION - JOB#6056647

FAN UNIT NO	TAG	QTY	FAN UNIT MODEL #	MANUFACTURER	CFM	ESP	RPM	MOTOR ENCL.	HP	BHP	PHASE	VOLT	FLA	DISCHARGE VELOCITY	WEIGHT (LBS)	SDNES
1	EF-1	1	DUB5HFA	CAPTIVEAIRE	1900	1.200	1474	TEAD-ECM	1.000	0.5800	1	115	11.6	601 FPM	93	14.1
2	EF-2	1	DR12HFA	CAPTIVEAIRE	150	0.500	1172	TEAD-ECM	0.250	0.0720	1	115	2.9		53	5

FAN OPTIONS

FAN UNIT NO	TAG	QTY	DESCRIPTION
1	EF-1	1	GREASE BOX
		1	REMOVE HINGE KIT LABEL FROM THE FAN BASE
		1	MIAMI DADE CERTIFICATION - NDA-1 ALUMINUM UPBLAST
		1	ECM WIRING PACKAGE - PWM SIGNAL FROM ECPM03 PREWIRE (TELCO MOTOR), CCW ROTATION
		1	2 YEAR PARTS WARRANTY
2	EF-2	1	ECM WIRING PACKAGE - EXHAUST - MANUAL DR 0-10VDC REFERENCE SPEED CONTROL -MSC-(TELCO), CCW ROTATION
		1	I 12-BDD DAMPER
		1	MIAMI DADE CERTIFICATION - NDA-1 ALUMINUM DOWNBLAST 10
		1	2 YEAR PARTS WARRANTY
		1	2 YEAR PARTS WARRANTY

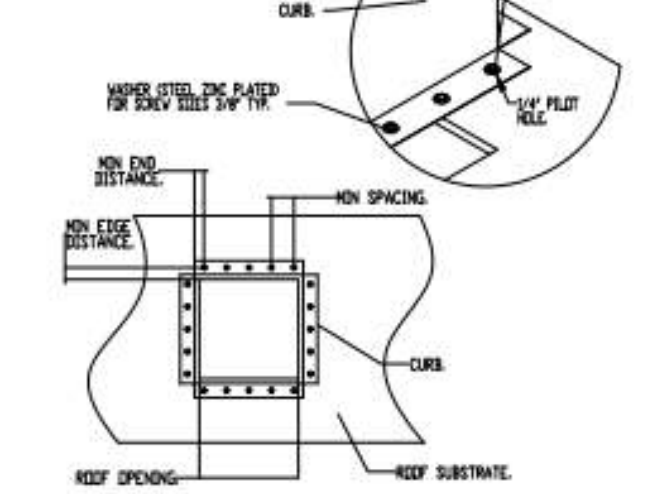
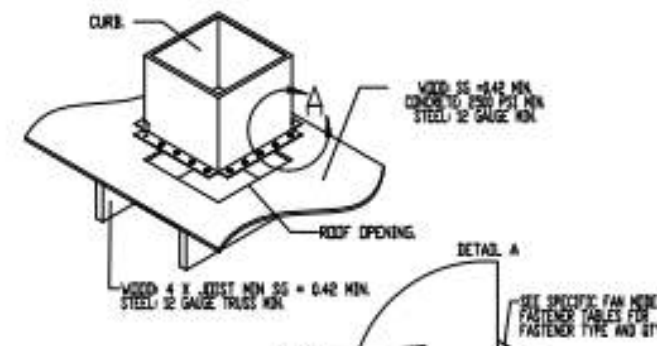
FAN ACCESSORIES

FAN UNIT NO	TAG	EXHAUST				SUPPLY		
		GREASE CUP	GRAVITY DAMPER	WALL MOUNT	SIDE DISCHARGE	GRAVITY DAMPER	MOTORIZED DAMPER	WALL MOUNT
1	EF-1	YES						
2	EF-2	YES						

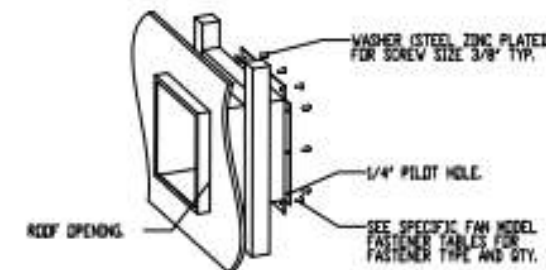
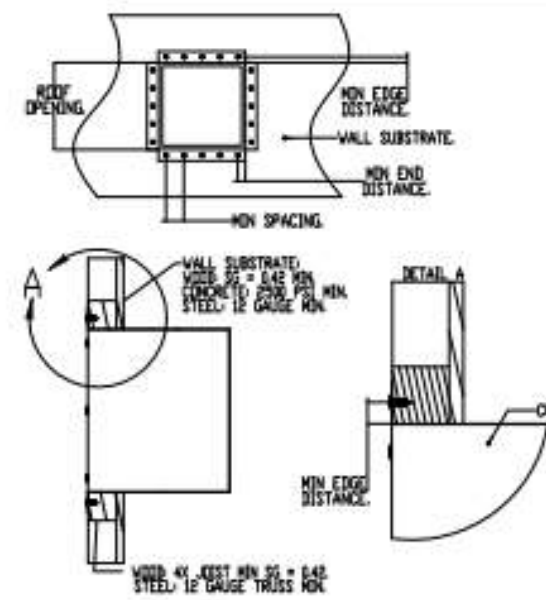
CURB ASSEMBLIES

NO	ON FAN	TAG	WEIGHT	ITEM	SIZE
1	# 1	EF-1	66 LBS	CURB	23,000"W X 23,000"L X 26,000"H VENTED 16 GAUGE.
2	# 2	EF-2	51 LBS	CURB	17,500"W X 17,500"L X 26,000"H 16 GAUGE.

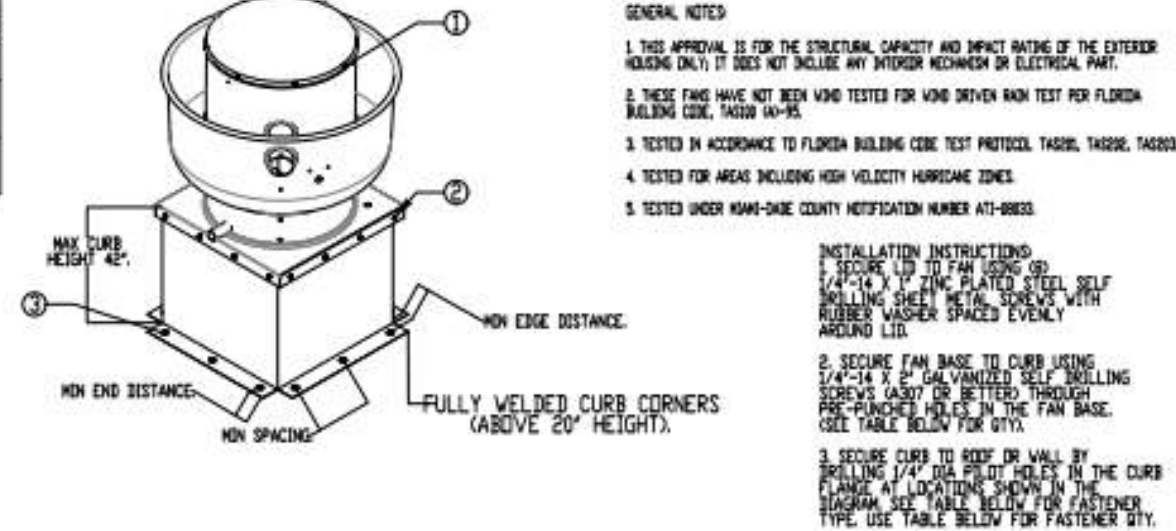
MIAMI-DADE COUNTY - CURB ROOF INSTALLATION GUIDE



MIAMI-DADE COUNTY - WALL CURB INSTALLATION GUIDE



MIAMI-DADE NDA1 ALUMINUM UP-BLAST FANS



GENERAL NOTES:

- THIS APPROVAL IS FOR THE STRUCTURAL CAPACITY AND IMPACT RATING OF THE EXHAUST HOOD ONLY. IT DOES NOT INCLUDE ANY INTERIOR MECHANICAL OR ELECTRICAL PARTS.
- THESE FANS HAVE NOT BEEN WIND TESTED FOR WIND BLOWEN HAIN TEST PER FLORIDA BUILDING CODE, TABLE 601-PS.
- TESTED IN ACCORDANCE TO FLORIDA BUILDING CODE TEST PROTOCOL, TABLE, TABLE 601-PS.
- TESTED FOR MEAN INCLUDING HIGH VELOCITY HURRICANE CODE.
- TESTED UNDER MIAMI-DADE COUNTY NOTIFICATION NUMBER 475-0883.

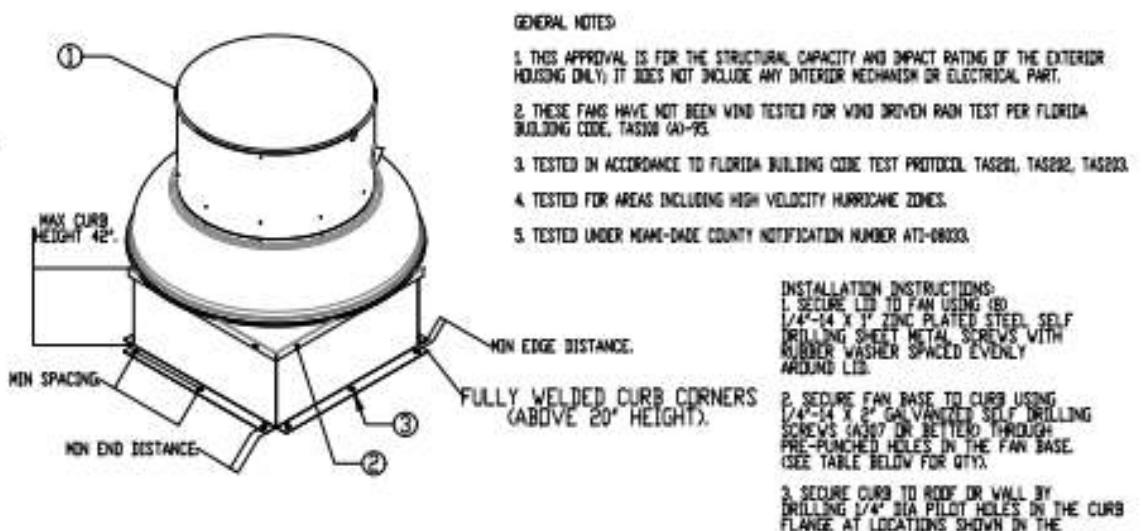
INSTALLATION INSTRUCTIONS:

- REMOVE HINGE KIT LABEL FROM THE FAN BASE.
- REMOVE HINGE KIT LABEL FROM THE FAN BASE.
- REMOVE HINGE KIT LABEL FROM THE FAN BASE.
- REMOVE HINGE KIT LABEL FROM THE FAN BASE.
- REMOVE HINGE KIT LABEL FROM THE FAN BASE.

FASTENER TYPES:

FASTENER	WOOD (SG 5-8.42 MIN)	STEEL (12 GAUGE MIN)	CONCRETE (2000 PSI MIN CRACKED CONCRETE)
FAN TO CURB	3/8" DIA. ZINC PLATED LAG BOLT	1/4" - 14 DRILL-FLEX SELF-DRILLING SCREW	3/8" DIA. SS HELIX W/ WAVE BOLT 1/2" EXPANSION ANCHOR
MINIMUM THREAD PENETRATION	N/A	2-1/2"	2"
MINIMUM EDGE DISTANCE	N/A	1-1/2"	3/8"
MINIMUM END DISTANCE	N/A	2-5/8"	3/8"
MINIMUM SPACING	N/A	1-1/2"	3/4"

MIAMI-DADE NDA1 ALUMINUM DOWN-BLAST FANS



GENERAL NOTES:

- THIS APPROVAL IS FOR THE STRUCTURAL CAPACITY AND IMPACT RATING OF THE EXHAUST HOOD ONLY. IT DOES NOT INCLUDE ANY INTERIOR MECHANICAL OR ELECTRICAL PARTS.
- THESE FANS HAVE NOT BEEN WIND TESTED FOR WIND BLOWEN HAIN TEST PER FLORIDA BUILDING CODE, TABLE 601-PS.
- TESTED IN ACCORDANCE TO FLORIDA BUILDING CODE TEST PROTOCOL, TABLE, TABLE 601-PS.
- TESTED FOR MEAN INCLUDING HIGH VELOCITY HURRICANE CODE.
- TESTED UNDER MIAMI-DADE COUNTY NOTIFICATION NUMBER 475-0883.

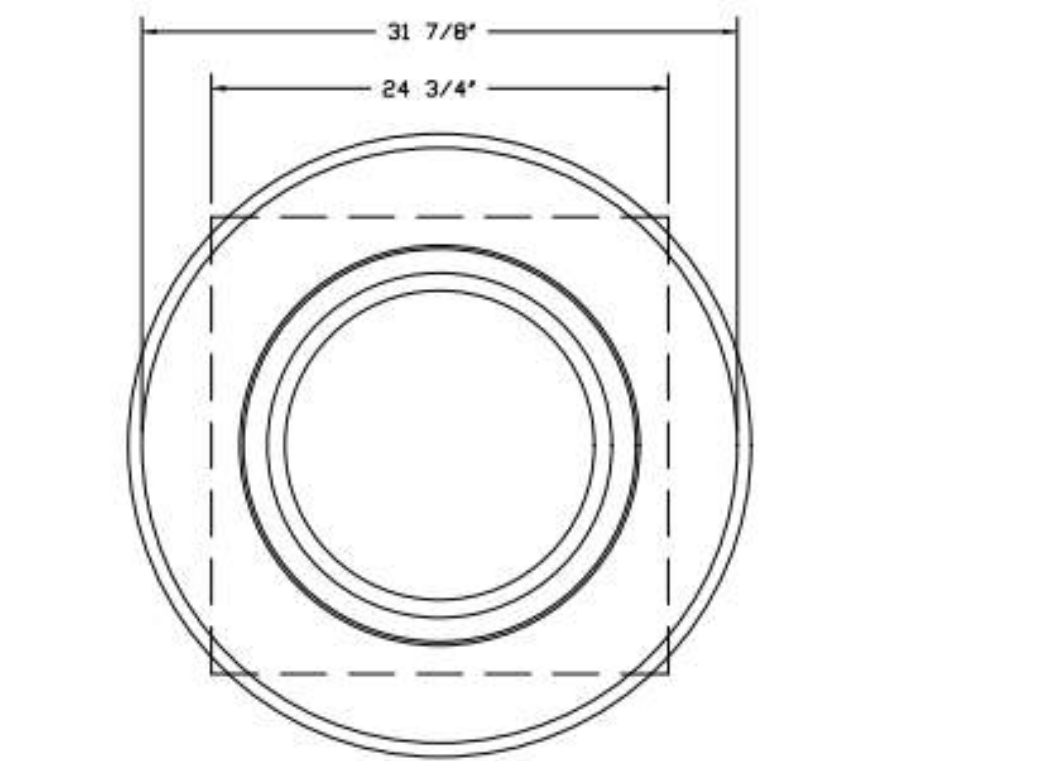
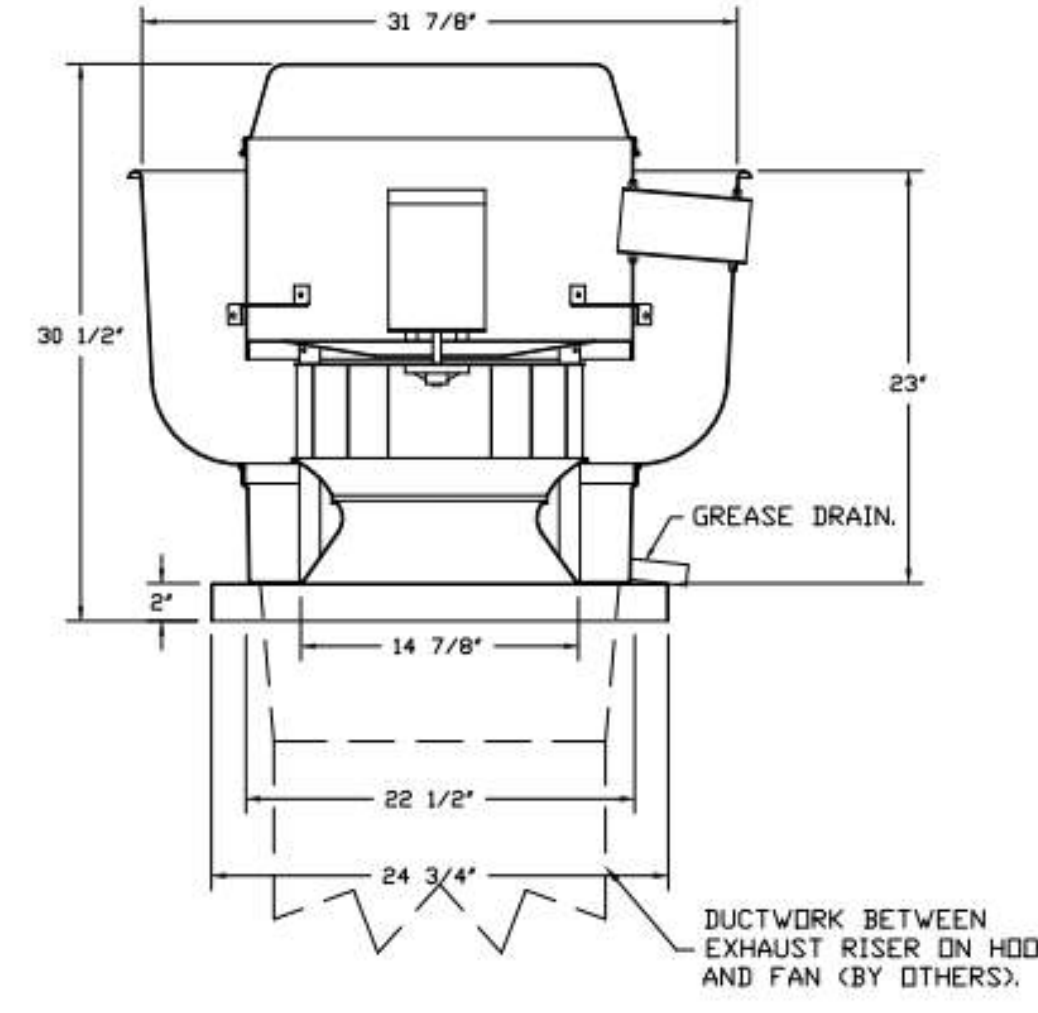
INSTALLATION INSTRUCTIONS:

- REMOVE HINGE KIT LABEL FROM THE FAN BASE.
- REMOVE HINGE KIT LABEL FROM THE FAN BASE.
- REMOVE HINGE KIT LABEL FROM THE FAN BASE.
- REMOVE HINGE KIT LABEL FROM THE FAN BASE.
- REMOVE HINGE KIT LABEL FROM THE FAN BASE.

FASTENER TYPES:

FASTENER	WOOD (SG 5-8.42 MIN)	STEEL (12 GAUGE MIN)	CONCRETE (2000 PSI MIN CRACKED CONCRETE)
FAN TO CURB	3/8" DIA. ZINC PLATED LAG BOLT	1/4" - 14 DRILL-FLEX SELF-DRILLING SCREW	3/8" DIA. SS HELIX W/ WAVE BOLT 1/2" EXPANSION ANCHOR
MINIMUM THREAD PENETRATION	N/A	2-1/2"	2"
MINIMUM EDGE DISTANCE	N/A	1-1/2"	3/8"
MINIMUM END DISTANCE	N/A	2-5/8"	3/8"
MINIMUM SPACING	N/A	1-1/2"	3/4"

FAN #1 DUB5HFA - EXHAUST FAN (EF-1)



TOP VIEW

FEATURES:

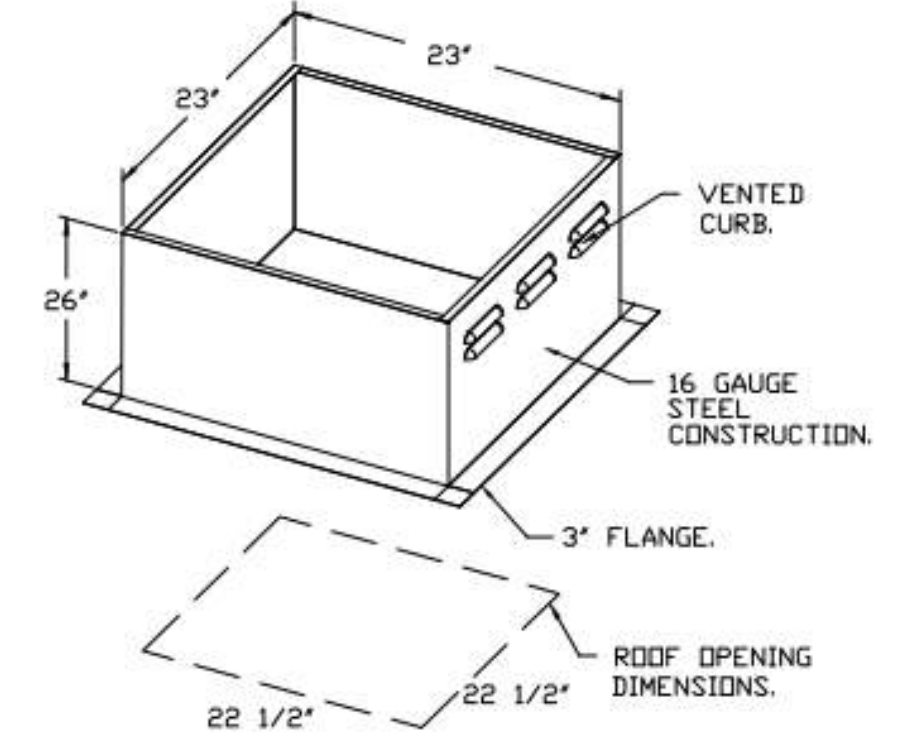
- DIRECT DRIVE CONSTRUCTION (NO BELTS/PULLEYS).
- ROOF MOUNTED FANS.
- RESTAURANT MODEL.
- UL705 AND UL762 AND ULC-S645
- VARIABLE SPEED CONTROL.
- INTERNAL WIRING.
- THERMAL OVERLOAD PROTECTION (SINGLE PHASE).
- HIGH HEAT OPERATION 300°F (149°C).
- GREASE CLASSIFICATION TESTING.
- NEMA 3R SAFETY DISCONNECT SWITCH.

NORMAL TEMPERATURE TEST
EXHAUST FAN MUST OPERATE CONTINUOUSLY WHILE EXHAUSTING AIR AT 300°F (149°C) UNTIL ALL FAN PARTS HAVE REACHED THERMAL EQUILIBRIUM, AND WITHOUT ANY DETERIORATING EFFECTS TO THE FAN WHICH WOULD CAUSE UNSAFE OPERATION.

ABNORMAL FLARE-UP TEST
EXHAUST FAN MUST OPERATE CONTINUOUSLY WHILE EXHAUSTING BURNING GREASE VAPORS AT 600°F (316°C) FOR A PERIOD OF 15 MINUTES WITHOUT THE FAN BECOMING DAMAGED TO ANY EXTENT THAT COULD CAUSE AN UNSAFE CONDITION.

OPTIONS:

- GREASE BOX.
- REMOVE HINGE KIT LABEL FROM THE FAN BASE.
- MIAMI DADE CERTIFICATION - NDA-1 ALUMINUM UPBLAST.
- ECM WIRING PACKAGE - PWM SIGNAL FROM ECPM03 PREWIRE (TELCO MOTOR), CCW ROTATION.
- 2 YEAR PARTS WARRANTY.



REVISIONS

NO.	DESCRIPTION	DATE

Highwoods Group

4641 Paragon Park Rd., Raleigh, NC 27616 PHONE: (919) 875-0420 FAX: 9198759577 EMAIL: reg40@captiveaire.com

CHIPOTLE MIMO #4351
MIAMI, FL, 33138

DATE: 6/14/2023
DWG.#: 6056647
DRAWN BY: JMB-40
SCALE: 3/4" = 1'-0"
MASTER DRAWING

SHEET NO. 2



Stefano De Luca
Florida Registered Architect
AR0014815

Issue Record:
10.31.23 PERMIT SET
11.11.24 BID SET
02.07.25 CONSTRUCTION SET

Drawn: ARL
Checked: SDL

Project No: SDLA# 2121

Contents:



4651 Pines Street
Hollywood, FL 33021
P (954) 927-2590 F (954) 367-3494

Stefano De Luca
Florida Registered Architect
AR0014815

If this item has been digitally signed and sealed by Stefano De Luca using a digital signature, printed copies of this document are not considered signed and sealed and the SHA authentication code must be verified on any electronic copies.



CHIPOTLE MEXICAN GRILL, INC.
PO BOX 182566
COLUMBUS, OH 43218-2566
TELEPHONE: (614) 318-2400
INTERNET: WWW.CHIPOTLE.COM

STORE NO.: 4351
MIMO
5396 BISCAYNE BLVD.
MIAMI, FL 33137

