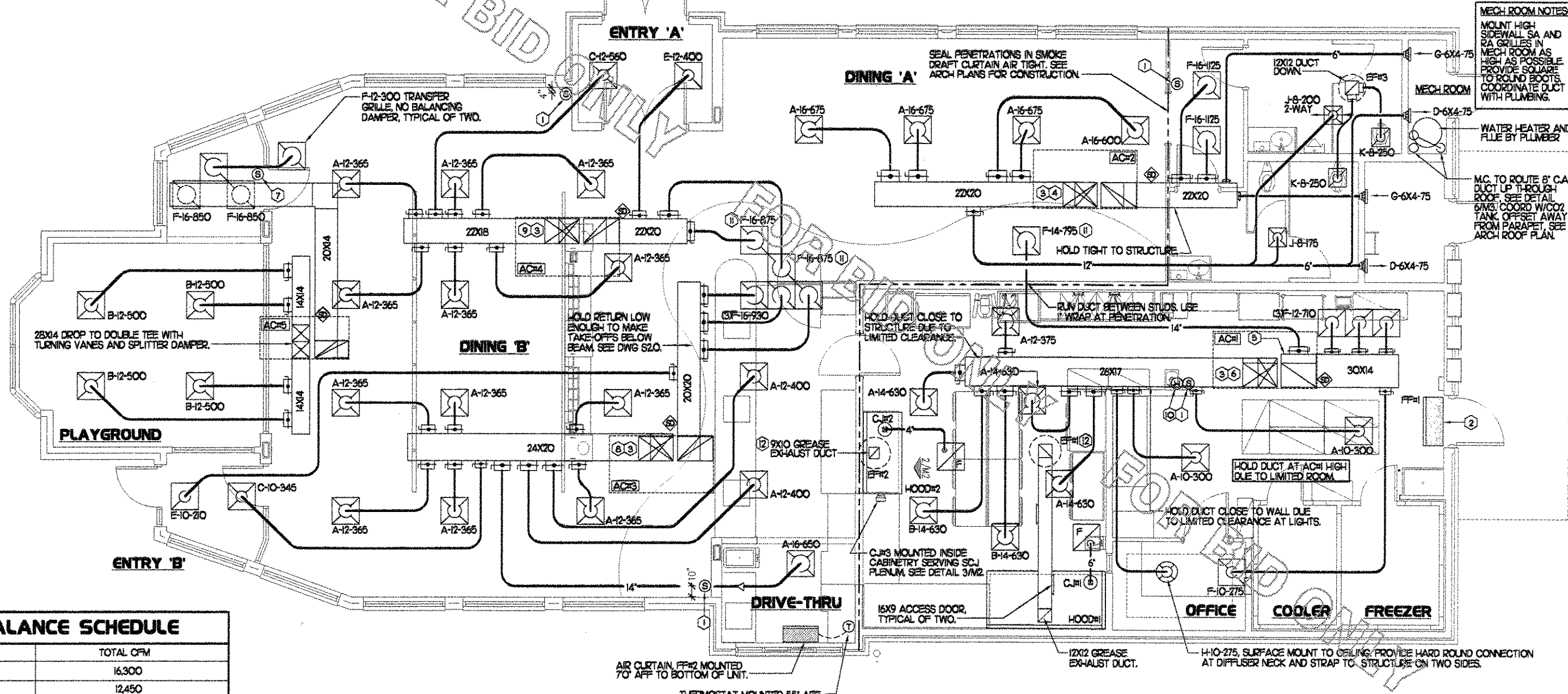
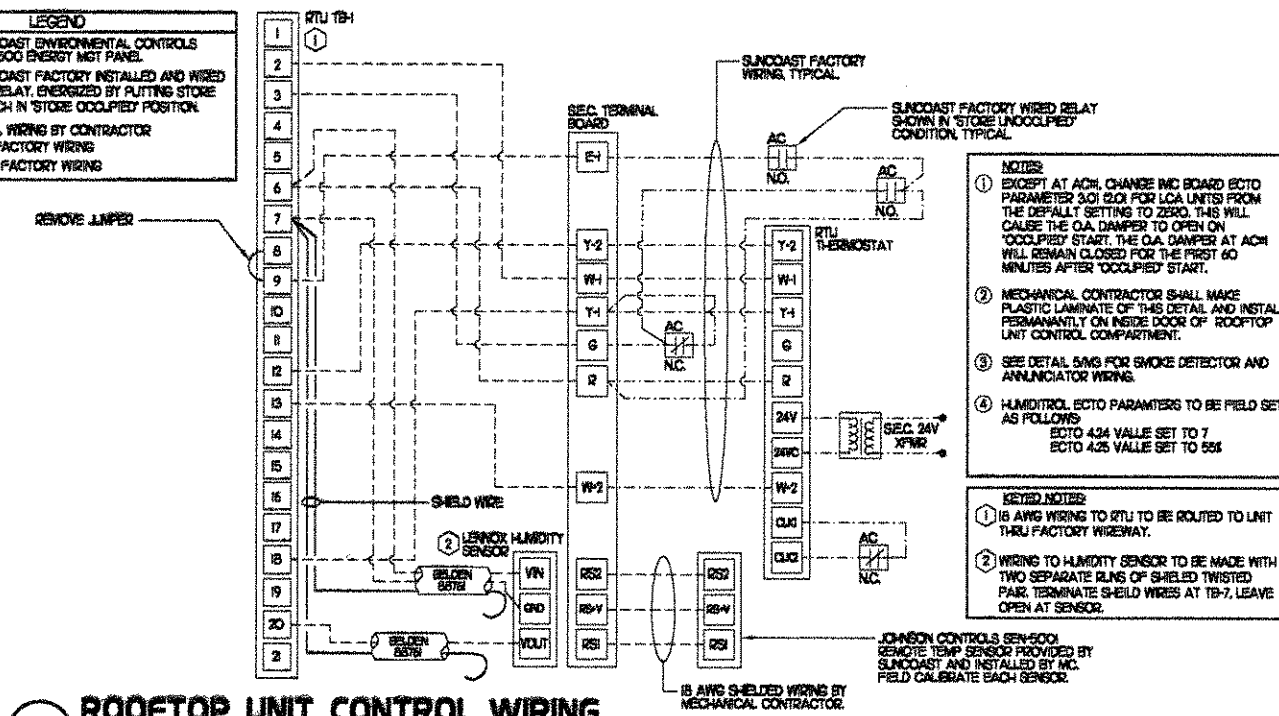


LEGEND			
A-12-400	TYPE - NECK SIZE - CFM	EP#	EXHAUST FAN # (TYP.)
	SPIN-IN FITTING WITH MANUAL BALANCING DAMPER, WITHOUT SCOOP	ACH#	AIR CONDITIONING UNIT # (TYP.)
	SPIN-IN HARD ϕ FLEXIBLE ϕ DIFFUSER		RETURN/EXHAUST (TYP.)
	REMOTE TEMPERATURE SENSOR		SUPPLY DIFFUSER, 80 FACE (TYP.)
	HUMIDITY SENSOR		PLAN NOTE REFERENCE
	SMOKE DETECTOR		MANUAL VOLUME DAMPER
1208	DUCT SIZE 1ST NUMBER - HORIZONTAL DIMENSION 2ND NUMBER - VERTICAL DIMENSION		DIRECTION OF THROW ON DIFFUSER

KEY NOTES

- MOUNT REMOTE SENSOR ON WALL AT 5'-0" AFF AND ROUTE WIRING BACK TO SUNCOAST TEMP CONTROL PANEL.
- AIR CURTAIN MOUNTED OVER DOOR HEADER AT 7'-5" AFF TO BOTTOM OF UNIT. LOCATE PLUNGER TYPE MICROSWITCH IN DOOR FRAME ON STRIKE SIDE.
- BRANCH TAKE-OFFS ARE NOT TO BE LOCATED CLOSER THAN 3'-0" FROM THE ELBOW AT THE SUPPLY AIR DROP FROM CURB.
- TRANSITION IN VERTICAL DROP FROM FULL SIZE OF CURB OPENING TO 22X20. PROVIDE TURNING VANES IN ELBOW.
- MAKE VERTICAL DROP FULL SIZE OF CURB OPENING INTO TOP OF RETURN PLENUM.
- HOLD DUCT CLOSE TO WALL AT HAND SINK TO PROVIDE MAXIMUM CLEARANCE DUE TO LIGHT FIXTURES. TRANSITION IN VERTICAL DROP FROM FULL SIZE OF CURB OPENING TO 26X17. PROVIDE TURNING VANES IN ELBOW.
- MOUNT REMOTE SENSOR FOR PLAYGROUND ABOVE DOOR FRAME NEAR THE RETURN AIR GRILLES. ROUTE WIRING BACK TO SUNCOAST TEMP CONTROL PANEL.
- TRANSITION IN VERTICAL DROP FROM FULL SIZE OF CURB OPENING TO 24X20. PROVIDE TURNING VANES IN ELBOW.
- TRANSITION IN VERTICAL DROP FROM FULL SIZE OF CURB OPENING TO 22X18. PROVIDE TURNING VANES IN ELBOW.
- MOUNT LENNOX HUMIDITY SENSOR ON WALL ABOVE SPACE TEMP SENSOR AND ROUTE WIRING TO UNIT ON ROOF.
- INSULATION ON DUCT DROP THROUGH UPPER CEILING TO STOP AT UPPER CEILING PENETRATION. SAND/DEGREASE GALVANIZED SHEET METAL AND PAINT FLAT WHITE. CEILING TILE AT UPPER CEILING TO BE CUT TO FIT AROUND DUCT DROP.
- EP#1 AND EP#2 MUST BE LOCATED A MINIMUM OF 10 FT FROM PARAPETS.

LEGEND	
SEC.	SUNCOAST ENVIRONMENTAL CONTROLS CFA-500 ENERGY MGT PANEL.
AC	SUNCOAST FACTORY INSTALLED AND WIRED A/C RELAY, ENERGIZED BY PUTTING STORE SWITCH IN 'STORE COOL/HEAT' POSITION.
- - -	18 GA. WIRING BY CONTRACTOR
- - -	RTU FACTORY WIRING
- - -	SEC. FACTORY WIRING

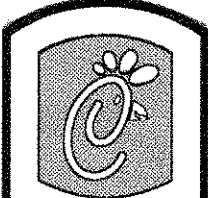


AIR BALANCE SCHEDULE	
AIR TYPE	TOTAL CFM
SUPPLY	16,300
RETURN	12,450
EXHAUST	2,950
OUTSIDE AIR	3,850
BUILDING POSITIVE PRESSURE	900

MECHANICAL FLOOR PLAN

1/4" = 1'-0"

- SHEET NOTES**
- DUCT SIZES SERVING DIFFUSERS AND GRILLES ARE SAME SIZE AS DIFFUSER OR GRILLE NECK UNLESS NOTED OTHERWISE.



5200 Buffington Rd.
 Atlanta Georgia,
 30349-2998

Revisions:
 Mark Date By
 Mark Date By
 Mark Date By

Seal

BENOR ENGINEERING, LLC
 3000 Longford Road
 Building 2400
 Nacogdoches, GA 30071
 (770) 728-1422 bus
 (770) 728-0480 fax
 rabennor@mindspring.com

STORE
 SERIES 04-152R
 NATIONAL
 US HWY 98
 HATTIESBURG,
 MS

SHEET TITLE
 MECHANICAL
 FLOOR PLAN

DWG EDITION 04.7

Job No. : 4040
 Store : 1613
 Date : 10/20/04
 Drawn By : RWW
 Checked By : RDB

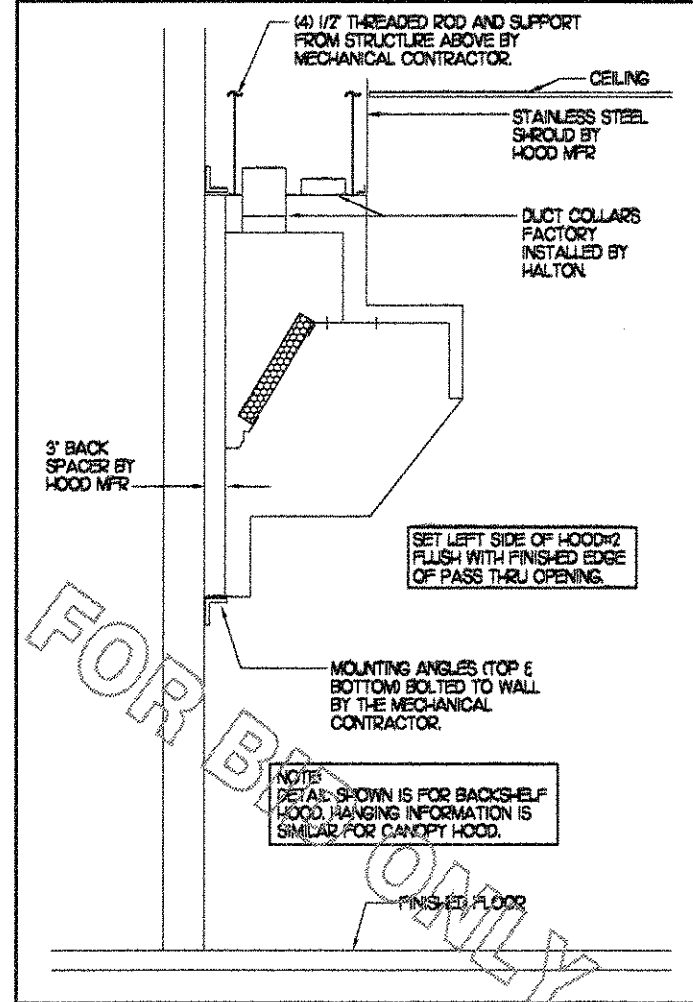
Sheet

M-I

KITCHEN HOOD SYSTEMS NOTES

- CHICK-FIL-A MAINTAINS A NATIONAL ACCOUNT WITH HALTON CO. FOR THE HOODS. CHICK-FIL-A WILL PURCHASE AND PROVIDE THE HOODS FOR INSTALLATION BY THE GENERAL CONTRACTOR. THE GENERAL CONTRACTOR SHALL BE RESPONSIBLE FOR RECEIVING THE HOODS. CONTACT HALTON CO. AT 270-237-5600 FOR MORE INFO.
- REFER TO PART 2 CONTROLS OF THE MECHANICAL SPECIFICATIONS FOR DIFFERENTIATION BETWEEN CONTROL AND POWER WIRING RESPONSIBILITIES.
- ANY CONTRACTORS OR WIRING REQUIRED FOR SHUT-OFF OF ELECTRIC COOKING EQUIPMENT SHALL BE FURNISHED AND INSTALLED BY ELECTRICAL CONTRACTOR.
- ALL ROOF CURBS SHALL BE SHIMMED LEVEL.
- ROOF CURBS FOR EXHAUST SYSTEMS SHALL BE INSTALLED IN ACCORDANCE WITH THE NATIONAL ROOFING CONTRACTORS ASSOCIATION GUIDELINES, AND THE ROOFING SUPPLIER'S DETAILS AND GUIDELINES FOR THE SPECIFIC ROOFING MATERIALS USED. ALL CURB INSULATION SHALL BE SUPPLIED AND INSTALLED BY ROOFING CONTRACTOR.
- THE GENERAL CONTRACTOR SHALL PROVIDE ALL ROOF/OUT OPENINGS AND OTHER STRUCTURAL REQUIREMENTS FOR THE INSTALLATION OF ALL ROOF EQUIPMENT. REFER TO STRUCTURAL FRAMING PLAN FOR EQUIPMENT LOCATION DIMENSIONS.
- THE FIRE SUPPRESSION SYSTEM SHALL CONSIST OF A COMPLETE WET ANSUL SYSTEM FURNISHED BY HALTON. THE HOOD SHALL BE FURNISHED PRE-PIPED BY HALTON. COMPONENTS AND INSTALLATION SHALL MEET THE REQUIREMENTS OF NFPA-96, NFPA-72, ALL APPLICABLE STATE AND FEDERAL CODES AND STANDARDS.
- THE R-102 ANSUL FIRE SUPPRESSION SYSTEM EXTERNAL TO THE HOODS SHALL BE INSTALLED IN ACCORDANCE WITH HOOD MANUFACTURER'S SHOP DRAWINGS BY AN AUTHORIZED ANSUL SYSTEM INSTALLER HIRED BY HALTON.
- PORTABLE FIRE EXTINGUISHERS IN THE KITCHEN SHALL BE PROVIDED BY THE GENERAL CONTRACTOR IN COMPLIANCE WITH NFPA-10 AND LOCAL REQUIREMENTS.
- OUTLETS OF EXHAUST FANS SHALL BE AT LEAST 40 INCHES ABOVE ROOF LINE.
- EXHAUST FANS SHALL BE LOCATED A MINIMUM OF 10 FEET FROM ANY FRESH AIR INTAKE. MEASUREMENT SHALL BE MADE USING STRETCHED STRING METHOD.
- HOOD EXHAUST DUCTWORK SHALL BE 16 GA. BLACK STEEL WITH CONTINUOUS LIQUID TIGHT WELD OF JOINTS & SEAMS AS PER NFPA-96.
- TURNS IN GREASE EXHAUST DUCTWORK SHALL BE LONG RADIUS TYPE, WITH A CENTERLINE RADIUS R-3W/2, NO EXCEPTIONS ALLOWED, NO MITERED FITTINGS ALLOWED.
- HOODS AND ASSOCIATED DUCTWORK SHALL BE INSTALLED PER NFPA 96 AND LOCAL CODES.
- ALL STAINLESS STEEL SHROULDS SHALL BE SUPPLIED BY HOOD MANUFACTURER AND INSTALLED BY THE GENERAL CONTRACTOR ACCORDING TO MANUFACTURER'S RECOMMENDATIONS.
- HOODS, FANS AND ACCESS DOORS SHALL BE LISTED BY UNDERWRITERS INC. AND SHALL MEET REQUIREMENTS OF NFPA-96.
- ACCESS DOORS SHALL BE REMOVABLE WITHOUT USE OF TOOLS AND BE PROVIDED WITH GASKET SEAL.
- SLOPE ALL GREASE EXHAUST DUCT BACK TO HOOD AT 1/4" PER FOOT OF RUN.
- WRAP NEW GREASE DUCT WITH 3M FIRE BARRIER 15A. ACCESS DOORS SHALL BE INSTALLED ACCORDING TO 3M FIRE BARRIER PRODUCTS INSTALLATION MANUAL.

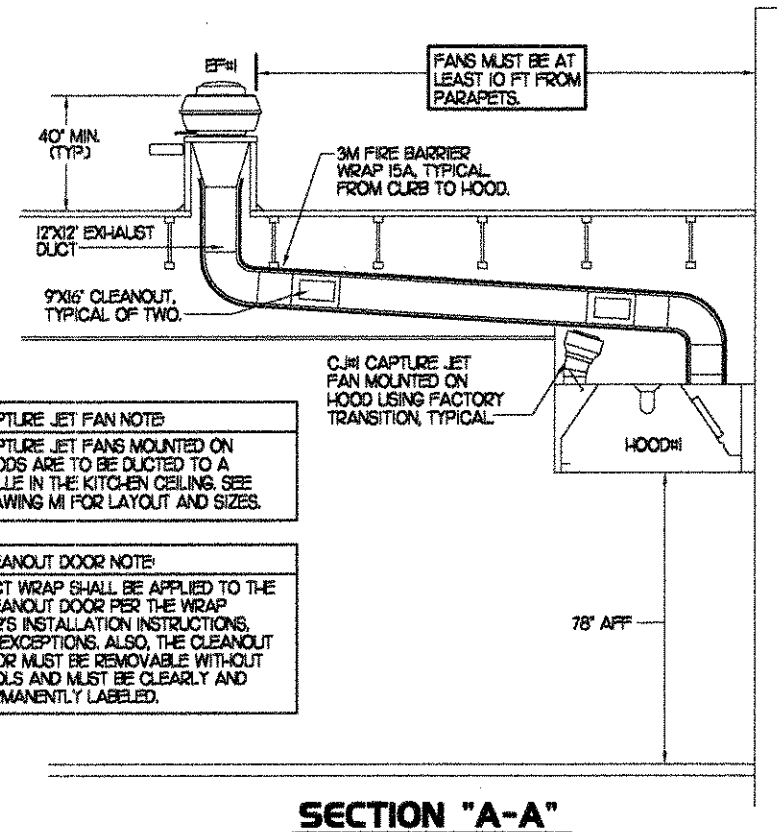
SIDE VIEW OF HOOD



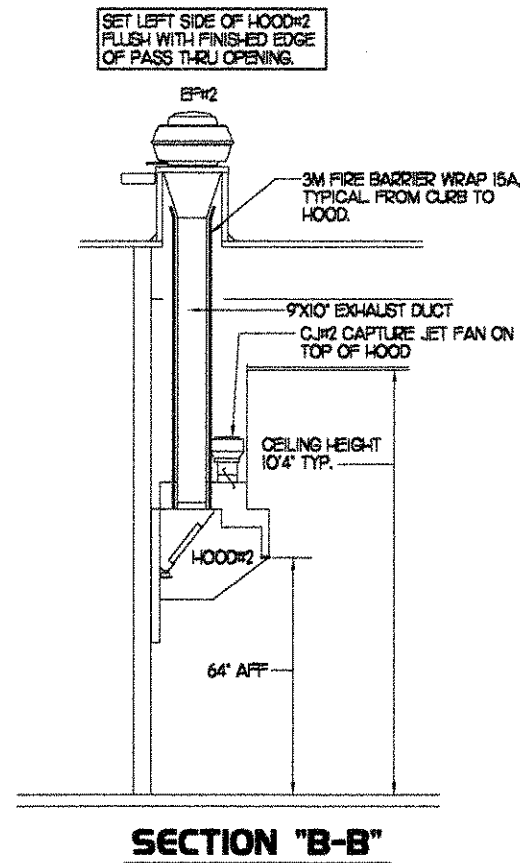
HOOD SCHEDULE

MARK	EXHAUST CFM	SP * TAB PORT	CAPTURE JET CFM & SP.	TYPE	COLLAR SIZE	WIDTH	DEPTH	HEIGHT	MANUFACTURER	MODEL	REMARKS
HOOD#1	1500	23"	102 @ 0.72"	CANOPY	12X12"	105"	51"	24"	HALTON	KVE	123456789
HOOD#2	950	23"	48 @ 0.30"	BACK SHELF	9X10"	72"	34"	48"	HALTON	KVL	1245910

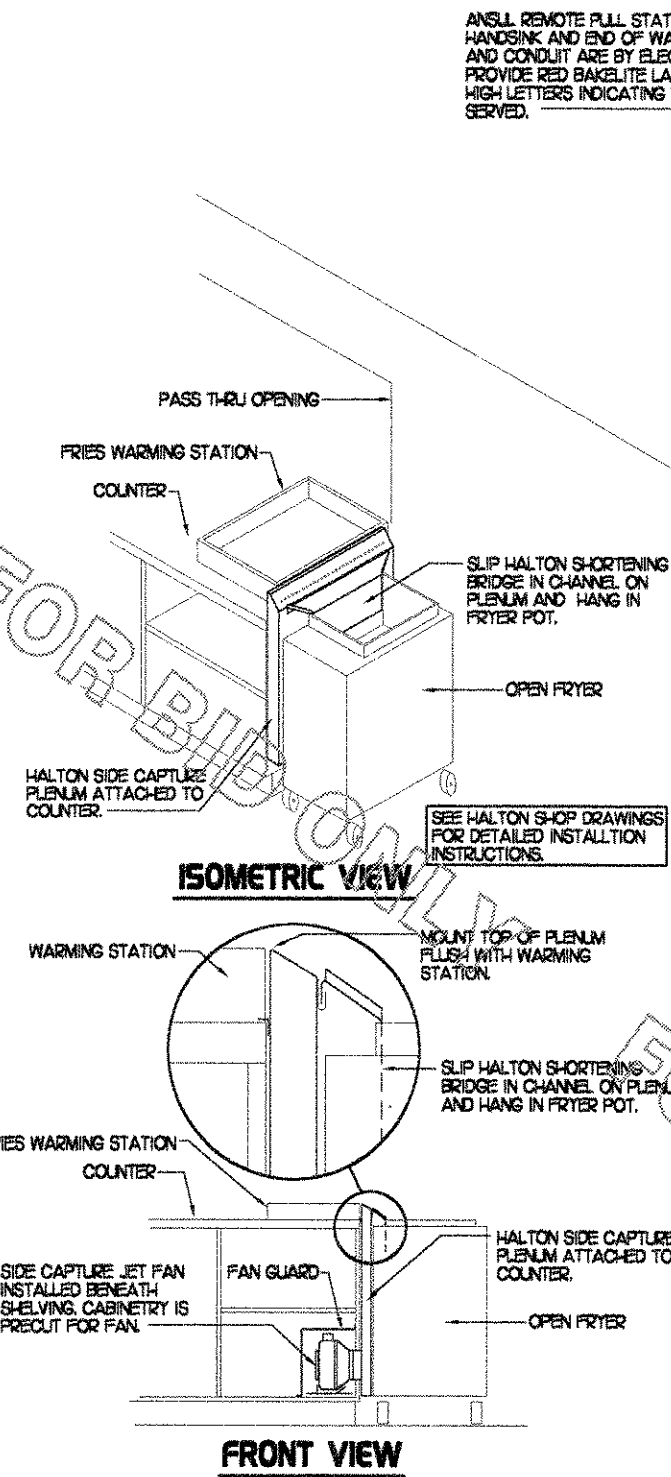
- NOTES: DIMENSIONS OF HOODS INCLUDE BACK AND SIDE SPACERS (HEIGHT DOES NOT INCLUDE CLOSURE PANELS).
- REMARKS:
- 1) STAINLESS STEEL CONSTRUCTION.
 - 2) PROVIDE FULL HEIGHT SS CLOSURE PANEL WITH ACCESS PANEL IN FRONT LARGE ENOUGH TO REMOVE CAPTURE JET FAN.
 - 3) PROVIDE FULL HEIGHT SS CLOSURE PANEL WITH ACCESS PANEL IN FRONT LARGE ENOUGH TO SERVICE ANSUL COMPONENTS.
 - 4) PROVIDE PRE-PIPED ANSUL R-102 WET FIRE EXTINGUISHING SYSTEM.
 - 5) PROVIDE 3" BACK SPACER.
 - 6) PROVIDE 3" LEFT SIDE SPACER.
 - 7) PROVIDE PARTIAL SIDE SKIRT ON RIGHT SIDE.
 - 8) PROVIDE BLANK-OFF PLATE FOR SWITCH COVER.
 - 9) PROVIDE TOP PLENUM CAPTURE JET FAN, SPEED CONTROLLER AND COLLAR.
 - 10) PROVIDE COUNTER MOUNTED SIDE CAPTURE JET PLENUM ASSEMBLY AND FAN.



SECTION "A-A"

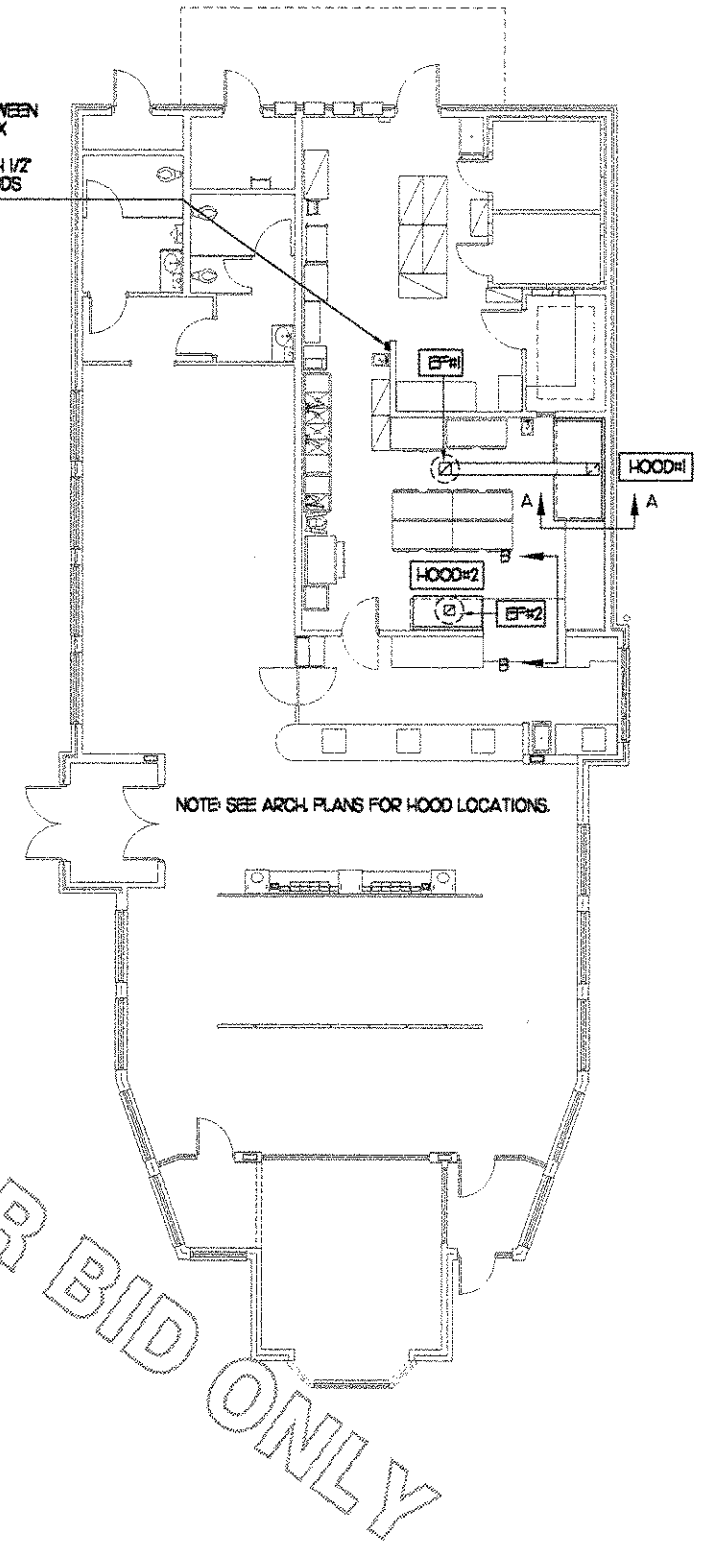


SECTION "B-B"



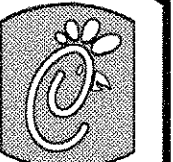
FRONT VIEW

2 HALTON SIDE CAPTURE JET PLENUM



1 HOOD LAYOUT

3 HOOD ELEVATIONS



Chick-fil-A

5200 Buffington Rd.
Atlanta Georgia,
30349-2998

Revisions:
Mark Date By

△

Mark Date By

△

Mark Date By

△

Seal

BENNER ENGINEERING, LLC
 3000 Lengford Road
 Building 2400
 Norcross, GA 30071
 (770) 728-1422 bus
 (770) 728-0490 fax
 rebenner@mindspring.com

STORE
 SERIES 04-152R
 NATIONAL
 US HWY 98
 HATTIESBURG,
 MS

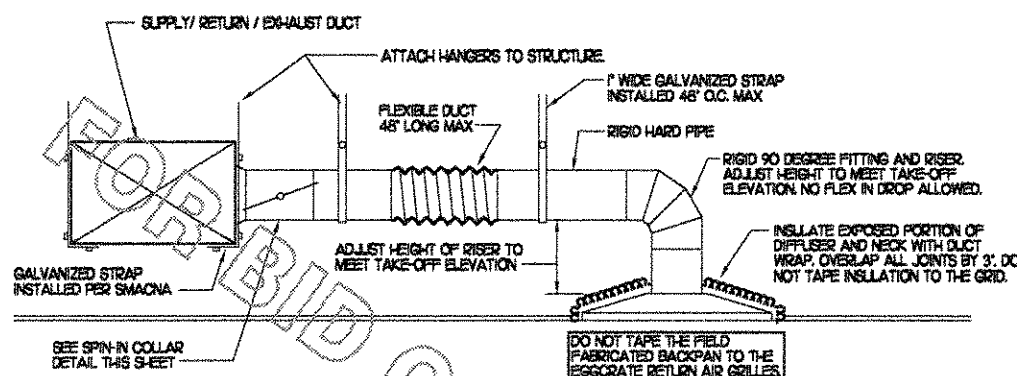
SHEET TITLE
 HOOD DETAILS
 & SCHEDULES

DWG EDITION 04.7

Job No. : 4040
 Store : 1613
 Date : 10/20/04
 Drawn By : RWW
 Checked By : RDB

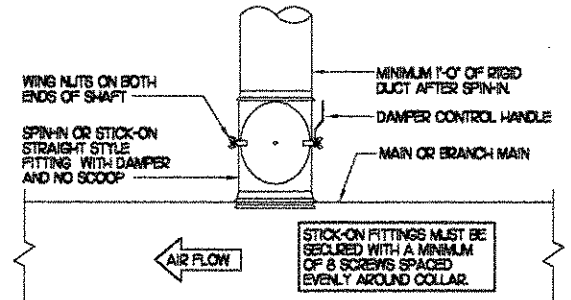
Sheet

M-2

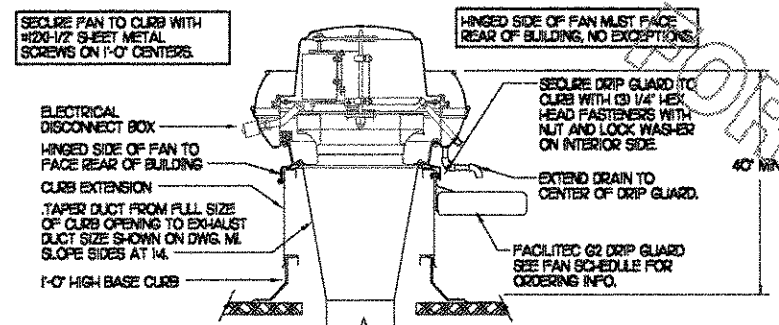


1 SAG/RAG/GRILLE TAKE-OFF
NO SCALE

DAMPER CONTROL HANDLE MUST BE LEFT EXPOSED. ATTACH A YELLOW FLUORESCENT CONSTRUCTION RIBBON TO THE HANDLE. RIBBON MUST HANG 12\"/>

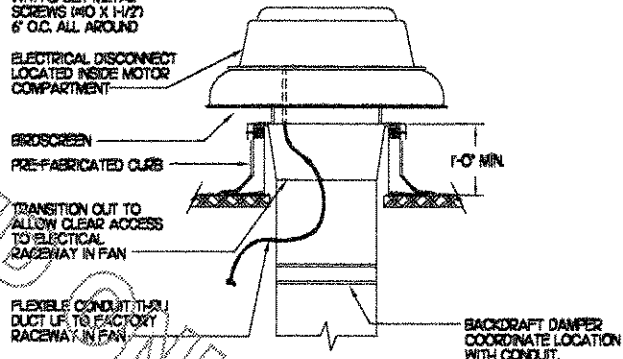


2 SPIN-IN COLLAR
NO SCALE



3 KITCHEN HOOD EXHAUST FAN
NO SCALE

NOTE: SECURE FAN TO CURB WITH SHEET METAL SCREWS (#10 X 1-1/2\"/>



4 RESTROOM EXHAUST FAN
NO SCALE

GAS FIRED ROOFTOP UNIT SCHEDULE											
MARK	COOLING CAPACITY (MBH)		HEATING CAPACITY (MBH)		FAN SECTION (CFM)			MODEL	MANUFACTURER	REMARKS	
	TOTAL	SENS	INPUT	OUTPUT	SUPPLY	O.A.	HP				ESP
ACH	145.6	99.0	256.0	188.0	4,400	1,000	3	.70	LG6100ZEH	LENNOX	13,567,8,9,10,11,12,14
ACH2	104.0	71.8	256.0	188.0	3,150	750	2	.65	LG6100ZEH	LENNOX	23,5,7,8,9,10,11,12,13
ACH3	28.0	90.6	256.0	188.0	4,000	1,000	3	.65	LG6100ZEH	LENNOX	13,5,7,8,9,10,11,12,13
ACH4	94.5	69.9	256.0	188.0	2,750	600	2	.65	LG6100ZEH	LENNOX	23,5,6,7,8,9,10,11,12,13
ACH5	63.9	47.3	125.0	100.0	2,000	300	1.5	.65	LG6100ZEH	LENNOX	3,4,5,6,7,8,9,10,11,12,13

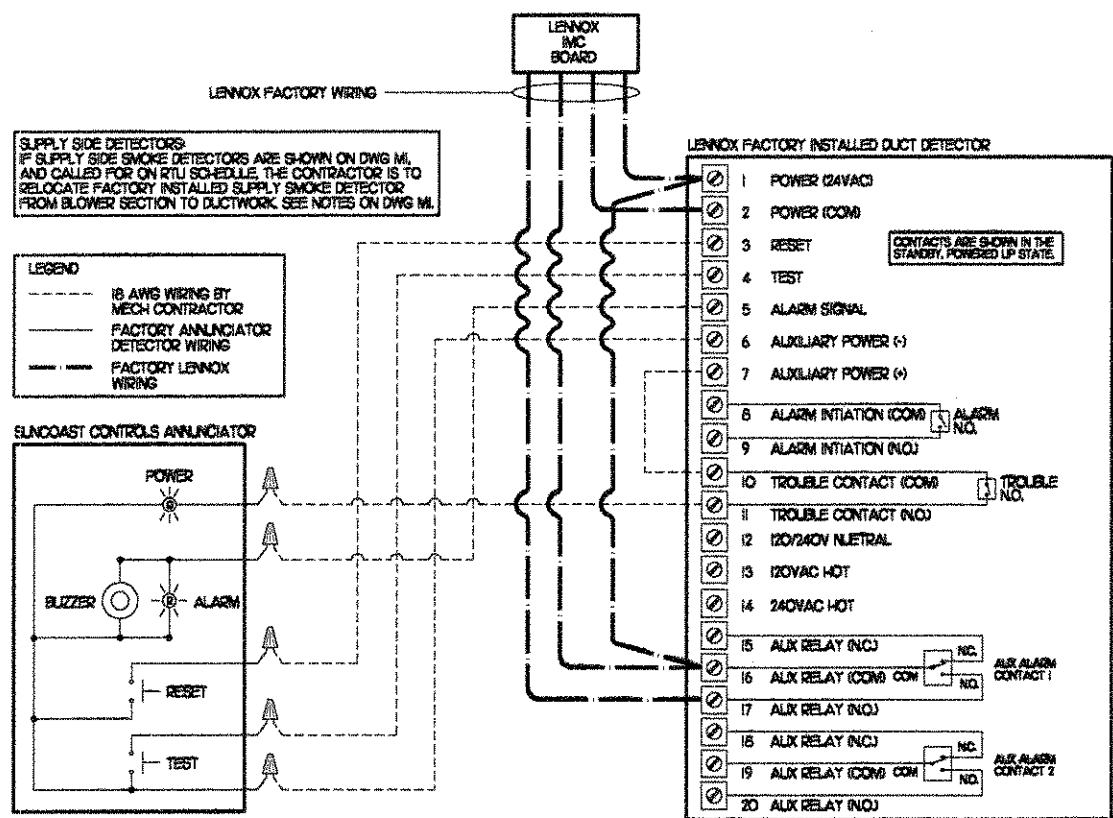
NOTES: COOLING CAPACITIES ARE GROSS, BASED ON INDOOR EDB: 80F, INDOOR EWB: 67F, OUTDOOR EDB: 95F

REMARKS: 1) PROVIDE DIFFERENTIAL ENTHALPHY ECONOMIZER WITH POWER EXHAUST. 2) PROVIDE DIFFERENTIAL ENTHALPHY ECONOMIZER WITH BAROMETRIC EXHAUST. 3) PROVIDE 1\"/>

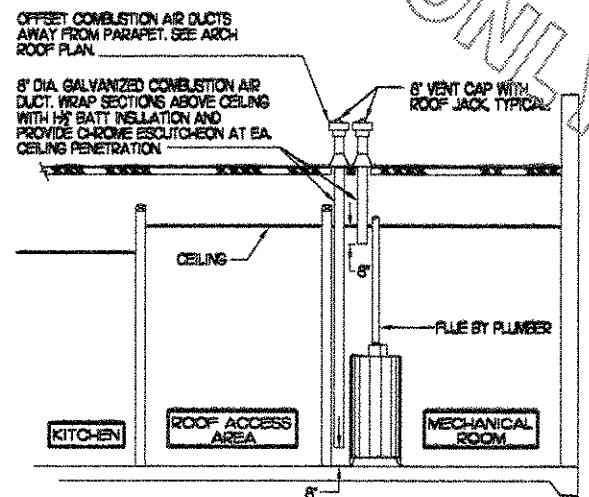
EXHAUST FAN SCHEDULE										
MARK	CFM	ESP	RPM	TP SPEED (FPS)	HP	AREA SERVED	MODEL	MANUFACTURER	REMARKS	
EP1	1500	0.65	1200	105	3/4	HOOD	NERD-H0A	JEN	123,4,9	
EP2	900	0.60	900	9	3/4	HOOD	NERD-H0A	JEN	123,4,9	
EP3	500	.375	1083	58	1/4	RESTROOMS	REK02SS	JEN	25,6,7,8,9	

NOTES: GREASE EXHAUST FAN RPM BASED ON 75 DEGREE F AIR AT SEA LEVEL.

REMARKS: 1) PROVIDE FACTORY 1-0\"/>



5 SMOKE DETECTOR AND ANNUNCIATOR WIRING DIAGRAM
NO SCALE



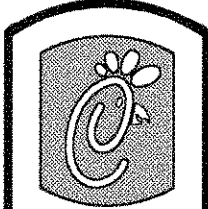
6 WATER HEATER VENT/C.A. ROUTING
NO SCALE

AIR DEVICE SCHEDULE							
MARK	DESCRIPTION	LOCATION	NECK SIZE	FACE SIZE	CEILING TYPE	REMARKS	
A	TITUS MODEL PSS-AA ALUMINUM SUPPLY AIR DIFFUSER WITH AIR PATTERN CONTROLLER.	DINING AREA KITCHEN	SEE PLAN	24X24	LAY-IN	1	
B	TITUS MODEL PAR-AA ALUMINUM RETURN AIR GRILLE USED AS A SUPPLY DIFFUSER.	KITCHEN PLAYGROUND	SEE PLAN	24X24	LAY-IN	1	
C	TITUS MODEL PSS-AA ALUMINUM SUPPLY AIR DIFFUSER WITH AIR PATTERN CONTROLLER.	ENTRY 'A' ENTRY 'B'	SEE PLAN	24X24	GYPSUM	1,7	
D	TITUS MODEL 277FS DOUBLE DEFLECTION ALUMINUM SIDEWALL SUPPLY REGISTER, FRONT BLADE PARALLEL TO SHORT SIDE.	MECHANICAL ROOM	SEE PLAN	SEE PLAN	NA	1	
E	TITUS MODEL 50F ALUMINUM EGGRATE RETURN AIR GRILLE.	ENTRY 'A' ENTRY 'B'	SEE PLAN	24X24	GYPSUM	1,5	
F	TITUS MODEL 50F ALUMINUM EGGRATE RETURN AIR GRILLE.	DINING/KITCHEN PLAYGROUND	24X24	24X24	LAY-IN	1,5	
G	TITUS MODEL 50F ALUMINUM SIDEWALL RETURN GRILLE, FRONT BLADE PARALLEL TO LONG SIDE.	MECHANICAL ROOM	SEE PLAN	SEE PLAN	NA	1	
H	TITUS MODEL TMR-AA ALUMINUM CONCENTRIC ROUND CONE SUPPLY DIFFUSER.	OFFICE	10	18	LAY-IN	1,6	
J	TITUS MODEL MDD STEEL SUPPLY AIR DIFFUSER FIELD ADJUSTABLE AIR PATTERN CONTROLLERS.	RESTROOMS	8X8	15X15	GYPSUM	1,2,5,6	
K	TITUS MODEL 50F ALUMINUM EGGRATE RETURN AIR GRILLE WITH OBD.	RESTROOMS	8X8	10X10	GYPSUM	1,4,5	

REMARKS: 1) STANDARD OFF WHITE FINISH. 2) PROVIDE MODEL AG-65 NECK DAMPER. 3) DIFFUSER IN RESTROOMS SHALL BE 2-WAY THROW. 4) PROVIDE MODEL AG-5 NECK DAMPER ON GRILLES IN RESTROOMS. 5) FIELD FABRICATE 6\"/>

AIR DOOR SCHEDULE									
MARK	CFM	VELOCITY	HEATING CAP	HP	AREA SERVED	MODEL	MANUFACTURER	REMARKS	
FF1	3,394	4,000	NA	3/4	REAR DOOR	SET-142	POWERED-AIR	1,4	
FF2	750	3,050	72 KW	1/5	DRIVE-THRU	WF-130E	POWERED-AIR	2,3,4	

REMARKS: 1) FACTORY PROVIDED PLINGER TYPE MICRO-SWITCH. 2) FACTORY PROVIDED REMOTE MOUNTED HEAT/COOL/DOOR CONTROLS. 3) FACTORY PROVIDED, UNIT MOUNTED SPEED CONTROLLER. 4) CHECK-FL-A HAS A NATIONAL ACCOUNT WITH POWERED-AIR. THE MECHANICAL CONTRACTOR SHALL PURCHASE THE FANS DIRECTLY FROM THE NATIONAL ACCOUNT REP, TOM BARRON COMPANY. CONTACT MR. TOM BARRON SR AT 404-351-0100, FOR PRICING AND AVAILABILITY.



5200 Buffington Rd.
Atlanta Georgia,
30349-2998

Revisions:
Mark Date By

Mark Date By

Mark Date By

Mark Date By

Mark Date By

Seal

BEANOR ENGINEERING, LLC
3000 Longfords Road
Building #100
Norcross, GA 30071
(770) 728-1422 bus
(770) 728-0490 fax
rebennor@mindspring.com

STORE
SERIES 04-152R
NATIONAL
US HWY 98
HATTIESBURG,
MS

SHEET TITLE
HVAC DETAILS
& SCHEDULES

DWG. EDITION 04.7

Job No. : 4040
Store : 1613
Date : 10/20/04
Drawn By : RWW
Checked By : ROB

Sheet
M-3