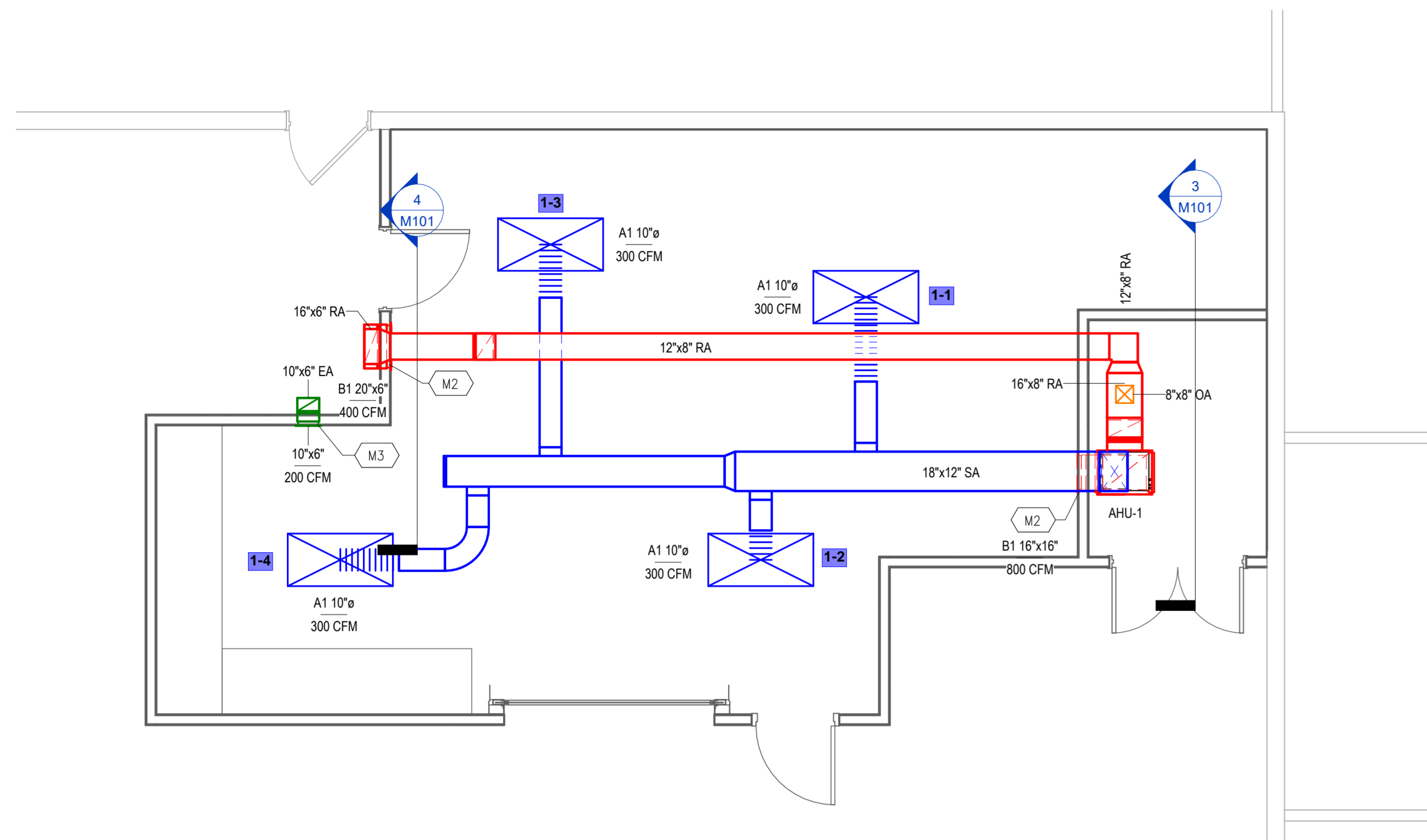
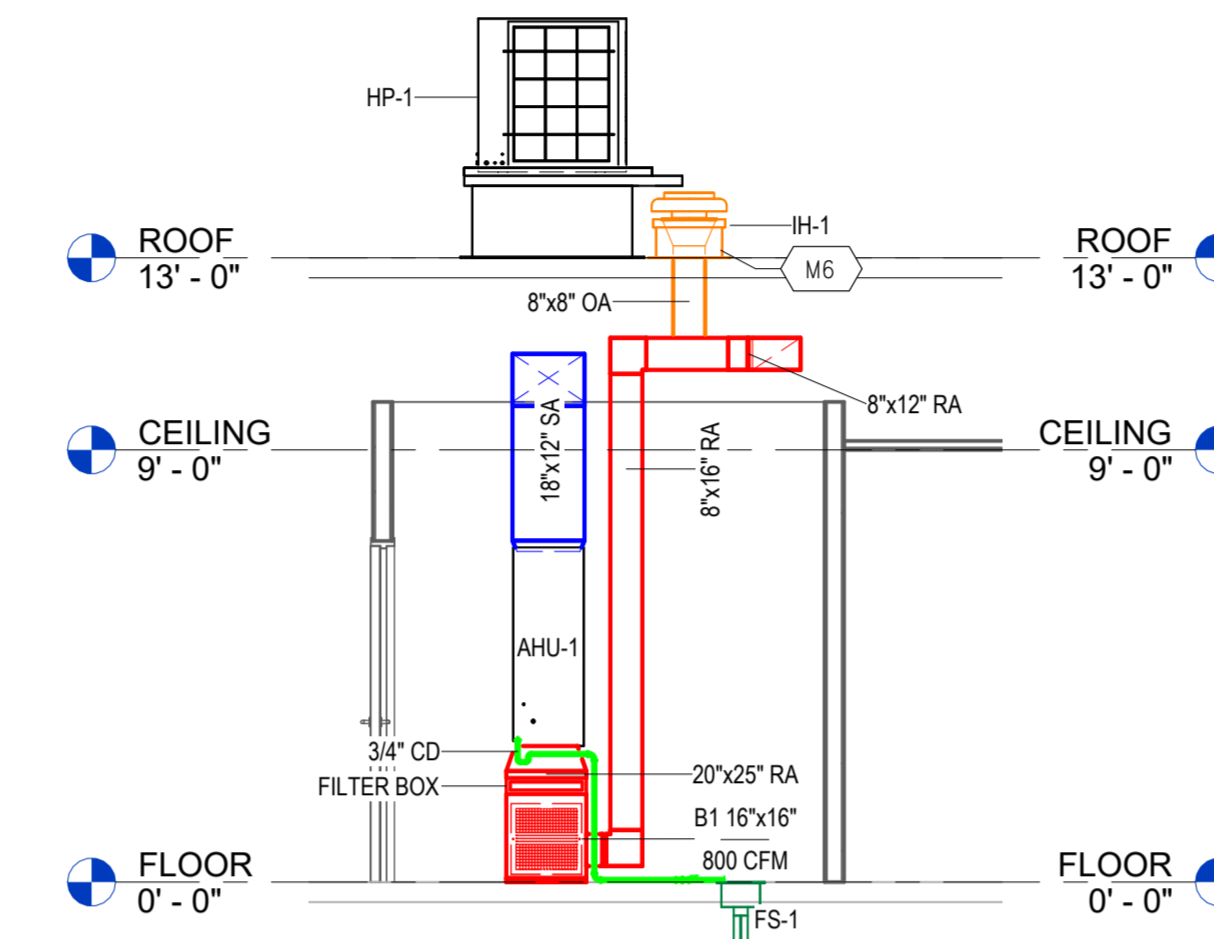


PLAN NOTES

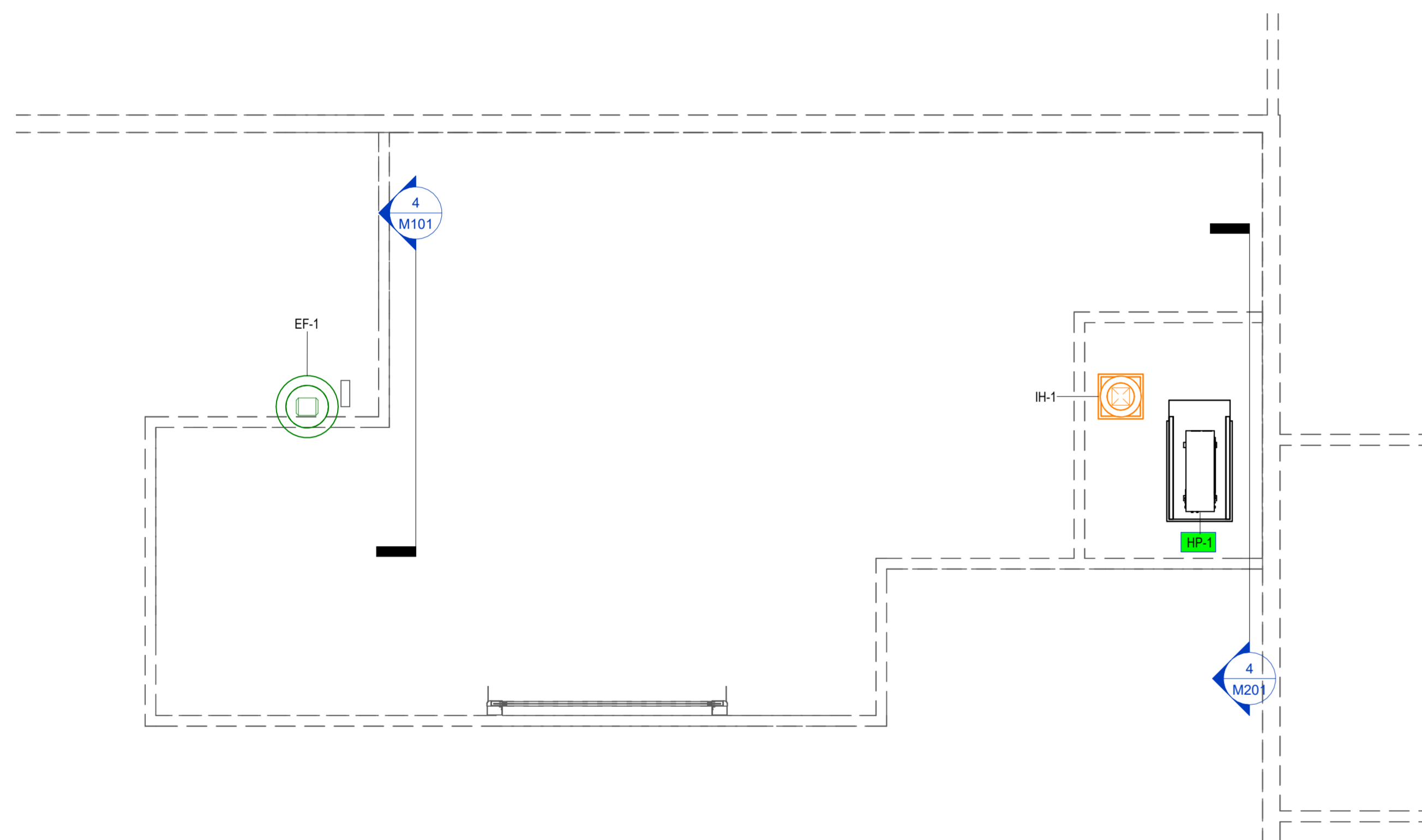
- M2 RETURN GRILLE AT 1' AFF.
- M3 EXHAUST GRILLE AT 1' AFF. ROUTE DUCTWORK UP TO EF-1 ON ROOF.
- M6 BALANCE OUTSIDE AIR DUCT TO MINIMUM OF 165 CFM.



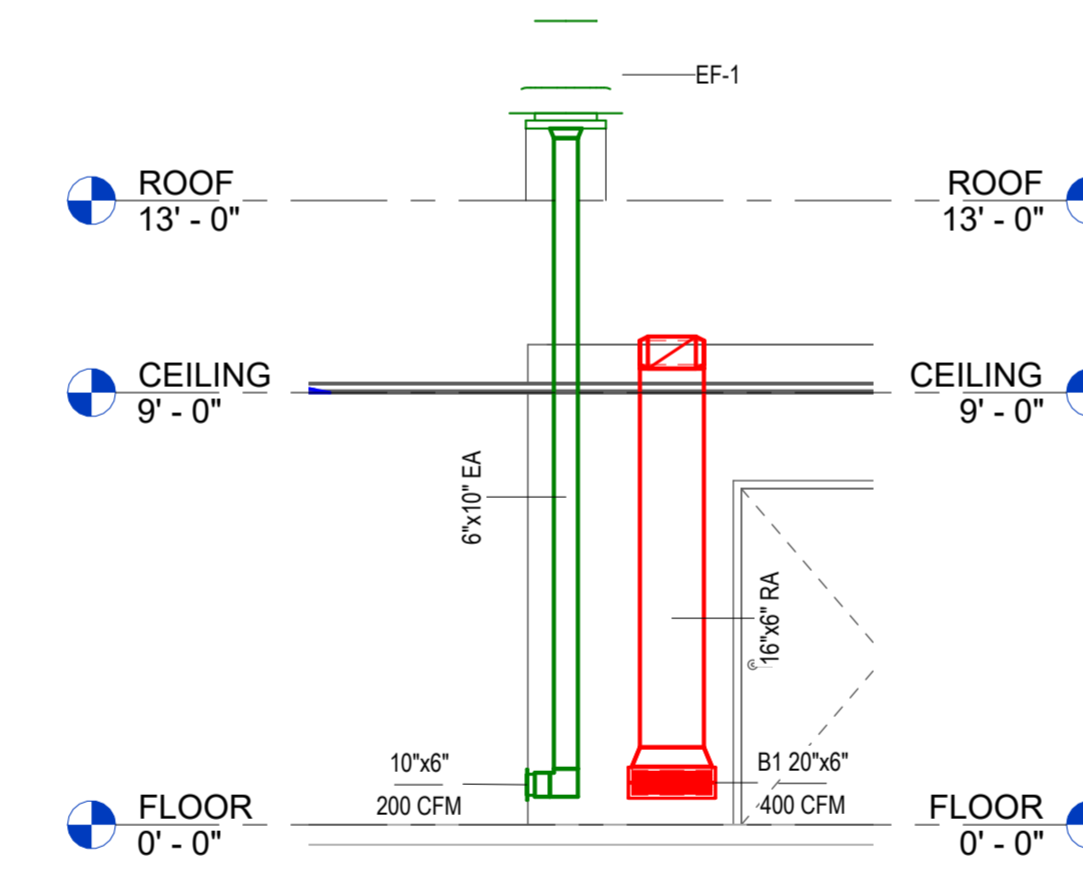
1 MECHANICAL DUCTWORK
1/4" = 1'-0"



3 AHU SECTION VIEW
1/4" = 1'-0"



2 ROOF MECHANICAL PLAN
1/4" = 1'-0"



4 RETURN GRILLE SECTION VIEW
1/4" = 1'-0"

BLUE HALO CLEAN ROOM

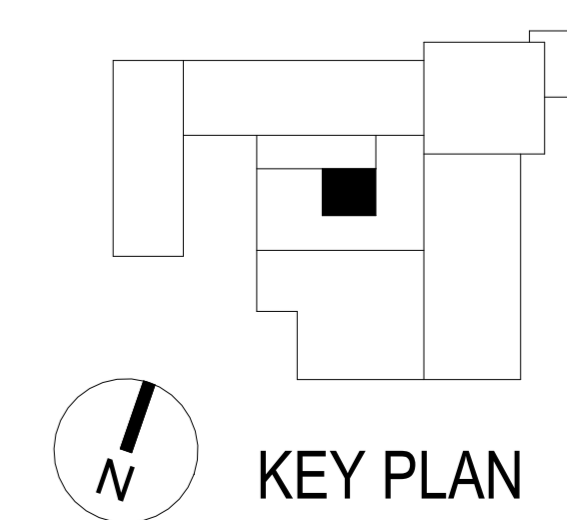
4401 DAYTON XENIA RD
DAYTON, OH 45432



FOR PERMIT

EXCLUSIVE PROPERTY OF MSD, INC. NEITHER THE DOCUMENT NOR THE INFORMATION IT CONTAINS MAY BE USED FOR OTHER THAN THE SPECIFIC PURPOSE FOR WHICH IT WAS PREPARED WITHOUT WRITTEN CONSENT OF MSD, INC.

PROJECT #	240662
DRAWN BY	AF
CHECKED BY	SS
PROJ MGR	JV
SCALE	1/4" = 1'-0"
PLOT DATE	11/22/2024 9:52:04 AM
REV	DATE DESCRIPTION
0	11/21/24 PERMIT



KEY PLAN

MECHANICAL DUCT

M101