

## DIVISION - 15 MECHANICAL SPECIFICATIONS

### GENERAL

A. THE GENERAL CONDITIONS OF THE GENERAL SPECIFICATIONS, ALONG WITH ALL APPLICABLE INSTRUCTIONS TO BIDDERS SHALL FORM A PART OF THIS SECTION OF THE SPECIFICATIONS.

B. REFERENCE IS MADE TO REQUISITES FOR BIDDERS AND CONTRACTORS UNDER OTHER SECTIONS OF THESE SPECIFICATIONS, WHICH SHALL BE CONSIDERED BINDING, UNLESS OTHERWISE NOTED UNDER THIS SECTION.

### SCOPE

EACH CONTRACTOR SHALL THOROUGHLY ACQUAINT HIMSELF WITH THE CONSTRUCTION DETAILS, BOTH AS ON TENANT CONSTRUCTION DRAWINGS AND LANDLORD'S AS REFERRED TO, BEFORE SUBMITTING HIS BID AS NO ALLOWANCES WILL BE MADE BECAUSE OF THE CONTRACTOR'S UNFAMILIARITY WITH THESE DETAILS. ALL PERFORMANCE OF CONSTRUCTION SHALL BE AS REQUIRED BY THE PACE OF THE GENERAL CONSTRUCTION.

### INSPECTION OF SITE

ALL PROPOSALS SHALL PRECLUDE THAT CONTRACTOR IS FAMILIAR WITH JOB SITE CONDITIONS AND UTILITY LOCATIONS AND THE LACK OF SPECIFIC INFORMATION ON THE DRAWINGS SHALL NOT RELIEVE THE CONTRACTOR OF ANY RESPONSIBILITY.

### PERMITS

ALL PERMITS AND LICENSES NECESSARY FOR THE PROPER EXECUTION OF THE WORK SHALL BE SECURED AND PAID FOR BY THE SUBCONTRACTOR INVOLVED.

### CODE REQUIREMENTS

ALL WORK UNDER THIS CONTRACT SHALL COMPLY WITH THE PROVISIONS OF THE SPECIFICATIONS, DRAWINGS OR AS DIRECTED BY THE OWNER, AND SHALL SATISFY ALL APPLICABLE CODES, ORDINANCES, OR REGULATIONS OF THE GOVERNING BODIES, WHETHER SO SHOWN OR NOT, AND ALL MODIFICATIONS REQUIRED BY SUCH AUTHORITIES SHALL BE MADE BY THE CONTRACTOR WITHOUT ANY ADDITIONAL COST TO THE OWNER.

### MATERIALS AND WORKMANSHIP

A. ALL MANUFACTURED ARTICLES, MATERIALS, AND EQUIPMENT SHALL BE APPLIED AS RECOMMENDED BY THE MANUFACTURERS, AND UNLESS OTHERWISE SPECIFIED SHALL BE NEW, AND FREE FROM ANY DEFECTS. ALL LIKE MATERIALS USED SHALL BE OF THE SAME MANUFACTURE AND QUALITY UNLESS OTHERWISE SPECIFIED.

B. ALL WORK UNDER THIS CONTRACT SHALL BE PERFORMED BY COMPETENT WORKMEN AND EXECUTED IN A NEAT AND WORKMANLIKE MANNER. WORK SHALL BE PROPERLY PROTECTED DURING CONSTRUCTION, AND ON COMPLETION, THE INSTALLATION SHALL BE THOROUGHLY CLEANED AND ALL DEBRIS PRESENT AS A RESULT OF THIS CONTRACT SHALL BE REMOVED FROM THE PREMISES, **DO NOT JUST ABANDON.**

### CODES AND REGULATIONS

EACH SUBCONTRACTOR SHALL COMPLY WITH ALL LAWS, ORDINANCES, RULES AND REGULATIONS BEARING ON THE CONDUCT OF THE WORK AS DRAWN OR SPECIFIED. IF A SUBCONTRACTOR OBSERVES THAT THE DRAWINGS AND SPECIFICATIONS ARE AT A VARIANCE, HE SHALL PROMPTLY NOTIFY THE GENERAL CONTRACTOR AND THE TENANT IN WRITING. IF ANY SUBCONTRACTOR PERFORMS ANY WORK KNOWING IT TO BE CONTRARY TO LAWS, ORDINANCES, RULES AND REGULATIONS AND WITHOUT GIVING SUCH NOTICE, THE SUBCONTRACTOR SHALL BEAR ALL COSTS ARISING THEREFROM.

### PROTECTION OF WORK AND PROPERTY

A. EACH SUBCONTRACTOR SHALL CONTINUOUSLY MAINTAIN ADEQUATE PROTECTION OF ALL HIS WORK FROM DAMAGE AND SHALL PROTECT THE OWNER'S PROPERTY FROM INJURY OR LOSS ARISING FROM HIS WORK. HE SHALL MAKE GOOD ANY SUCH DAMAGE, INJURY, OR LOSS, EXCEPT SUCH AS MAY BE DIRECTLY DUE TO CAUSES BEYOND HIS CONTROL AND NOT TO HIS FAULT OR NEGLIGENCE. HE SHALL ADEQUATELY PROTECT ADJACENT PROPERTY AS WELL.

B. EACH SUBCONTRACTOR SHALL TAKE ALL NECESSARY PRECAUTIONS FOR THE SAFETY OF THEIR EMPLOYEES ON THE WORK AND SHALL COMPLY WITH ALL PROVISIONS OF FEDERAL, STATE AND LOCAL BUILDING CODES AND SAFETY LAWS TO PREVENT ACCIDENTS OR INJURY TO PERSONS ON OR ADJACENT TO THE PREMISES WHERE THE WORK IS BEING PERFORMED. EACH SUBCONTRACTOR SHALL MAINTAIN ALL INSURANCE REQUIRED TO PROTECT HIMSELF, OWNER AND TENANT FOR THE DURATION OF THE WORK AGAINST PROPERTY DAMAGE AND PUBLIC LIABILITY.

### CHANGES IN THE WORK

THE TENANT, WITHOUT INVALIDATING THE CONTRACT, MAY ORDER EXTRA WORK OR MAKE CHANGES BY ALTERING, ADDING TO OR DEDUCTING FROM THE WORK, THE CONTRACT SUM BEING ADJUSTED ACCORDINGLY.

### COOPERATION

ALL WORK UNDER THESE SPECIFICATIONS SHALL BE ACCOMPLISHED IN CONJUNCTION WITH OTHER CONTRACTORS AND TRADES OF THIS PROJECT IN A MANNER WHICH WILL ALLOW EACH CONTRACTOR AND TRADE ADEQUATE TIME AT THE PROPER STAGE OF CONSTRUCTION TO FULFILL HIS CONTRACTS. REFERENCE SHALL BE MADE TO THE OWNER FOR INSTRUCTIONS SHOULD ANY QUESTIONS ARISE BETWEEN TRADES AS TO THE PLACING OF LINES, DUCTS, CONDUITS, FIXTURES, OR EQUIPMENT, OR SHOULD IT APPEAR DESIRABLE TO REMOVE ANY GENERAL CONSTRUCTION WHICH WOULD AFFECT THE APPEARANCE OR STRENGTH OF THE STRUCTURE.

### SUBSTITUTION OF MATERIALS

MANUFACTURER'S NAMES ARE LISTED HEREIN TO ESTABLISH A STANDARD. THE PRODUCTS OF OTHER MANUFACTURERS WILL BE ACCEPTABLE, IF IN THE OPINION OF THE TENANT, THE SUBSTITUTE MATERIAL IS OF A QUALITY AS GOOD OR BETTER THAN THE MATERIAL SPECIFIED, AND WILL SERVE WITH EQUAL EFFICIENCY AND DEPENDABILITY, THE PURPOSE FOR WHICH THE ITEMS SPECIFIED WERE INTENDED. CONTRACTOR ASSUMES ALL RESPONSIBILITIES AND COST IMPACTS OF SUBSTITUTIONS.

### SHOP DRAWINGS

SHOP DRAWINGS AND CATALOG DATA ON ALL MAJOR ITEMS OF EQUIPMENT AND SYSTEMS, AND SUCH OTHER ILLUSTRATIVE MATERIAL AS MAY BE CONSIDERED NECESSARY BY THE TENANT, SHALL BE SUBMITTED BY THIS CONTRACTOR IN ADEQUATE TIME TO PREVENT DELAY AND CHANGES DURING CONSTRUCTION.

### DRAWINGS AND SPECIFICATIONS

A. THE DRAWINGS SHOW DIAGRAMMATICALLY THE LOCATIONS OF THE VARIOUS LINES, DUCTS, CONDUITS, FIXTURES, AND EQUIPMENT AND THE METHOD OF CONNECTING AND CONTROLLING THEM. IT IS NOT INTENDED TO SHOW EVERY CONNECTION IN DETAIL AND ALL FITTINGS REQUIRED FOR A COMPLETE SYSTEM.

B. SHOULD ANY CHANGES BE DEEMED NECESSARY BY THE CONTRACTOR IN ITEMS SHOWN ON CONTRACT DRAWINGS, THE SHOP DRAWINGS, DESCRIPTIONS, AND THE REASON FOR THE PROPOSED CHANGES SHALL BE SUBMITTED TO THE OWNER FOR APPROVAL.

### RESPONSIBILITY

A. THE CONTRACTOR WILL BE HELD RESPONSIBLE FOR THE SATISFACTORY AND COMPLETE EXECUTION OF ALL WORK INCLUDED IN HIS CONTRACT. HE SHALL PRODUCE COMPLETE FINISHED OPERATING SYSTEMS AND PROVIDE ALL INCIDENTAL ITEMS REQUIRED AS PART OF HIS WORK, REGARDLESS OF WHETHER SUCH ITEM IS PARTICULARLY SPECIFIED OR INDICATED.

B. CONTRACTOR SHALL SUPPLY TO LANDLORD AND TENANT A CERTIFIED BALANCE REPORT AT COMPLETION OF PROJECT. THIS IS REQUIRED FOR BOTH REMODELED AND NEW STORES.

### HEATING, VENTILATING AND AIR CONDITIONING

#### GENERAL

A. THE WORK COVERED BY THIS SECTION OF THESE SPECIFICATIONS SHALL BE ACCOMPLISHED IN ACCORDANCE WITH THE RESPECTIVE DRAWINGS, INFORMATION, OR INSTRUCTIONS TO BIDDERS, AND THE GENERAL CONDITIONS, ADDENDA, OR DIRECTIVES WHICH MAY BE ISSUED BY THE OWNER, HEREWITH, OR OTHERWISE, SHALL BE COMPLIED WITH IN EVERY RESPECT.

B. THE LISTING HEREIN OF AN ARTICLE OR MATERIAL, OPERATION OR METHOD, REQUIRES THAT THE CONTRACTOR SHALL FURNISH AND INSTALL EACH ITEM LISTED, UNLESS SPECIFICALLY NOTED TO THE CONTRARY. THE CONTRACTOR SHALL PERFORM EACH OPERATION PRESCRIBED OR LISTED ACCORDING TO THE CONDITIONS STATED.

### EXAMINATION OF SITE

ALL CONTRACTORS SUBMITTING PROPOSALS FOR THIS WORK SHALL FIRST EXAMINE THE SITE AND ALL CONDITIONS THEREON AND/OR THEREIN. ALL PROPOSALS SHALL TAKE INTO CONSIDERATION ALL SUCH CONDITIONS AS MAY AFFECT THE WORK UNDER THIS CONTRACT.

### SCOPE

FURNISH ALL MATERIALS, EQUIPMENT, AND LABOR NECESSARY FOR A COMPLETE FULLY OPERATIVE HEATING, VENTILATING, AND AIR CONDITIONING SYSTEM EXCEPT AS SPECIFICALLY EXCLUDED BY THE DRAWINGS, AND/OR TENANT'S DIRECTIONS.

### EQUIPMENT

- A. 1. ROOFTOP UNITS: FURNISH HEATING AND AIR CONDITIONING AS SCHEDULED. UNIT TO BE COMBINED PACKAGED SYSTEM, ALL SEASON EQUIPMENT, CONSISTING OF GAS HEATING SECTION, BLOWER, DX COIL, COMPRESSOR(S), AND AIR COOLED CONDENSING SECTION. UNIT SHALL BE DESIGNED FOR DOWN FLOW ARRANGEMENT WITH ALL DUCT PENETRATIONS WITHIN FACTORY FLOOR CURB.
2. FEATURES: UNITS TO BE WOUND FOR VOLTAGE AND PHASE AS SCHEDULED. HEAVY GAUGE ALUMINIZED STEEL, STAINLESS STEEL OR COATED HEAT EXCHANGER WILL BE ACCEPTABLE. UNIT MUST BE A.G.A. APPROVED FOR OUTDOOR APPLICATION. DIRECT EXPANSION COIL WITH FACTORY INSTALLED EXPANSION VALVE - BLOWER SHALL BE OF THE CENTRIFUGAL BELT DRIVEN OR MULTI-SPEED DIRECT DRIVE TYPE WITH FORWARD CURVED BLADES - BLOWER AND MOTOR ISOLATED FOR QUIET OPERATION - BUILT IN MOTOR STARTER WITH OVER VOLTAGE PROTECTION. HERMETICALLY SEALED COMPRESSOR WITH INHERENT OVERLOAD PROTECTION THERMOSTAT - NON-PRORATED 5-YEAR WARRANTY ON COMPRESSOR AND 10-YEAR WARRANTY ON HEAT EXCHANGER - CONDENSER COIL CONSTRUCTED OF COPPER TUBING WITH ALUMINUM FINS - CRANKCASE HEATERS - BUILT IN MOTOR STARTERS ELECTRIC IGNITION - HIGH, LOW PRESSURE CUTOFF ON COMPRESSOR - SHUTOFF VALVES ON LIQUID AND SUCTION LINES - SHORT CYCLE TIMER PROTECTION - FILTER - DRYER - VIBRATION ISOLATION. UNIT FACTORY CHARGED.
3. ACCESSORIES: SUPPLY AND RETURN FILTER CASING ASSEMBLY, TWO COMPLETE SETS OF THROWAWAY TYPE FILTERS. FILTERS SHALL BE 2" THICK. ONE SET TO BE REMOVED AND REPLACED JUST PRIOR TO TEST & BALANCE - FULL ECONOMIZER PACKAGE WITH LOW LEAKAGE FRESH AIR STANDARD RETURN AIR DAMPERS AND DAMPER MOTOR, - MINIMUM POSITION SETTING - PROVIDE MANUFACTURER'S INTERFACE AS REQUIRED FOR OPERATION WITH THERMOSTAT AS SPECIFIED. PROVIDE MOUNTING CURB APPROVED BY NATIONAL ROOF CONTRACTORS ASSOCIATION TO SUPPORT THE ENTIRE ASSEMBLY WITH WALKER STRIP AND AIR TIGHT GASKET.

E. ALL HVAC UNITS WILL BE EQUIPPED WITH PROGRAMMABLE THERMOSTAT. DESIGN AND STANDARD CONDITIONS FOR THERMOSTAT OPERATION WILL BE AS FOLLOWS:

COOLING: 75°F MAXIMUM OCCUPIED COOLING TEMPERATURE  
85°F COOLING NIGHT SETBACK.

HEATING: 70°F MAXIMUM OCCUPIED HEATING TEMPERATURE  
60°F HEATING NIGHT SETBACK.

FAN: CONTINUOUS IN OCCUPIED AND RECOVERY MODE AND WITH HEATING OR COOLING EQUIPMENT IN UNOCCUPIED MODE.

DEADBAND: CAPABLE OF MAINTAINING A 5°F DEADBAND.

CLOCK: 7 DAY CAPABLE OF 7 DIFFERENT DAY SCHEDULES.

OVERNIGHT: HAVE A 2 HOUR OVERRIDE ACCESSIBLE TO MANAGER.

BACKUP: CAPABLE OF MAINTAINING PROGRAMMED SETTING FOR AT LEAST 10 HOURS WITHOUT POWER.

F. THE HVAC SUBCONTRACTOR SHALL IDENTIFY ALL ROOF MOUNTED HVAC EQUIPMENT AND APPARATUS WITH 2" HIGH PAINTED STENCILED STORE NAME ON ALL SIDES OF EQUIPMENT.

### DUCTWORK

A. SQUARE AND RECTANGULAR DUCTWORK SHALL BE CONSTRUCTED OF NEW GALVANIZED PRIME GRADE SHEET STEEL OF THE FOLLOWING GAUGES:

DUCT SIZE	GAUGE
12" AND LESS	NO. 26 U.S. GAUGE
13" TO 30"	NO. 24 U.S. GAUGE
31" TO 54"	NO. 22 U.S. GAUGE
55" TO 84"	NO. 20 U.S. GAUGE
85" AND OVER	NO. 18 U.S. GAUGE

B. SQUARE AND RECTANGULAR DUCTWORK SHALL BE CONSTRUCTED AS FOLLOWS:

SIZE	METHOD
17" AND LESS	"S" AND DRIVE CLEATS
18" TO 30"	"L" STANDING SEAMS ON 3'-0" CENTERS
31" TO 54"	1-1/4" STANDING SEAMS ON 3'-0" CENTERS

ALL KITCHEN HOOD EXHAUST DUCTWORK SHALL BE SINGLE WALL, FACTORY-BUILT, GREASE DUCT FOR USE WITH TYPE I HOODS, WHICH CONFORMS TO NFPA-96. SEE ADDITIONAL SPECIFICATIONS ON SHEET MH1-01 OF HOOD DRAWINGS.

1. THE KITCHEN HOOD EXHAUST DUCTWORK SHALL BE ENCLOSED IN A RATED ENCLOSURE PER CODE, TWO (2) LAYERS OF 3M FIRE BARRIER DUCT WRAP 615+ OR SIMILAR.

2. THE CONTRACTOR SHALL INCLUDE IN HIS PRICE:  
-ALL NECESSARY TRANSITION AND CONNECTION FITTINGS TO THE HOOD AND EXHAUST FANS.  
- ALL CLEAN-OUT ACCESS PANELS AS REQUIRED BY CODE.  
- ALL ELBOW AND TRANSITION FITTINGS.  
- ALL HANGERS AND SUPPORTS.  
-SHOP DRAWINGS SHOWING PROPOSED FABRICATION AND INSTALLATION COORDINATED WITH EXISTING FIELD CONDITIONS AND OTHER TRADES.

ROUND SPIRAL DUCTWORK SHALL BE LINX FACTORY PAINTED SPIRAL DUCTWORK AND FITTINGS OR APPROVED EQUAL. INSTALLED AND SUSPENDED AS PER MANUFACTURER'S RECOMMENDATIONS. GAUGES FOR SHOP FABRICATED DUCTS SHALL BE AS FOLLOWS:

UP TO 12" IN DIAMETER	NO. 26 GAUGE
13" TO 30"	NO. 24 GAUGE
31" TO 42"	NO. 22 GAUGE
43" TO 60"	NO. 20 GAUGE

ELBOWS SHALL HAVE A CENTERLINE RADIUS OF 1-1/2 TIMES DUCT DIAMETER AND MAY BE SMOOTH ELBOWS OR 5 PIECE 90 DEGREE ELBOWS AND 3 PIECE 45 DEGREE ELBOWS. JOINTS OF ROUND DUCTS SHALL BE SLIP TYPE WITH A MINIMUM OF 3 SHEET METAL SCREWS.

1. NOT USED.  
2. ALL LOW PRESSURE DUCTWORK SHALL BE EXTERNALLY SEALED USING UNITED SHEET METAL, MMM EC-800, OR HARDCAST DUCT SEALER INSTALLED IN THE JOINTS PRIOR TO CLOSURE. ADDITIONALLY SEAL ALL EXTERNAL TRANSVERSE JOINTS AND FITTING CONNECTIONS EXTERNALLY.

C. ALL SUPPLY AIR DUCTS (HEATING AND COOLING) AND RETURN AIR DUCTS AND OUTSIDE AIR DUCTS SHALL BE GALVANIZED STEEL WITH MIN. 1-1/2" (R-6) THICK EXTERNAL THERMAL INSULATION EXCEPT DUCT LINED FOR ACOUSTICAL PURPOSES. CONTINUE INSULATION TO TOP OF ALL DIFFUSERS, GRILLES, REGISTERS, ETC. ALL EXHAUST AND RELIEF AIR DUCTS SHALL BE GALVANIZED STEEL. ALL KITCHEN HOOD EXHAUST DUCTWORK SHALL HAVE FIRE BARRIER DUCT WRAP. DUCT WRAP SHALL BE TESTED IN ACCORDANCE WITH ASTM E 2336. 2 LAYERS OF 3M FIRE BARRIER DUCT WRAP 615+ OR SIMILAR TO BE USED.

D. CONTRACTOR WILL INSTALL INSECT SCREENS ON ALL DUCT OPENINGS WHICH LEAD TO OR ARE OUTDOORS. INSECT SCREENS SHALL BE 10 GAUGE, ONE-HALF INCH (1/2") MESH IN REMOVABLE GALVANIZED STEEL FRAMES.

E. ALL DUCTWORK SHALL BE DESIGNED IN ACCORDANCE WITH THE PROCEDURES DESCRIBED IN THE AMERICAN SOCIETY OF HEATING REFRIGERATION AND AIR CONDITIONING ENGINEERS GUIDE (ASHRAE) AND FABRICATED AND INSTALLED IN ACCORDANCE WITH THE LATEST METHODS RECOMMENDED IN THE SHEET METAL AND AIR CONDITIONING CONTRACTORS NATIONAL ASSOCIATION (SMACNA) LOW VELOCITY DUCT MANUAL, LATEST EDITION.

F. NOT USED.

### HANGERS AND SUPPORTS

A. ALL HORIZONTAL DUCTS HAVING A DIMENSION OF 40 INCHES AND LESS SHALL BE SUPPORTED BY MEANS OF BAND IRON HANGERS OF NO. 18 U.S. GAUGE ATTACHED TO THE DUCT BY MEANS OF RIVETS, SCREWS, OR CLAMPS, AND FASTENED TO STRUCTURE ABOVE BY TOGGLE BOLTS OR OTHER MEANS. EACH SECTION OF DUCTWORK SHALL HAVE AT LEAST ONE PAIR OF SUPPORTS. VERTICAL DUCTS SHALL BE SUPPORTED WITH 1-1/4" x 1-1/4" x 1-1/4" ANGLES WHERE THEY PASS THROUGH THE FLOOR LINES.

B. ALL HORIZONTAL DUCTS HAVING A DIMENSION OF 40 INCHES AND MORE SHALL BE SUPPORTED BY MEANS OF ANGLE IRON TRAPEZE HANGERS. EACH SECTION OF DUCTWORK SHALL HAVE AT LEAST ONE PAIR OF SUPPORTS.

### FLASHING

A. CONTRACTOR WILL PROVIDE WATER TIGHT 24 GA. SHEET METAL FLASHINGS AT ALL EXTERIOR WALLS AND ROOF PENETRATIONS.

B. ALL CUTTING OF ROOF OPENINGS, SUPPORTS FOR ROOF OPENINGS, PITCH PANS, ROOF CURBS, FLASHINGS, COUNTER FLASHINGS, REPAIR TO ROOF, ETC. ASSOCIATED WITH HVAC SUBCONTRACTOR SHALL BE THE RESPONSIBILITY AND PART OF THE CONTRACT HVAC SUBCONTRACTOR. HE SHALL EMPLOY THE LANDLORD'S ROOFERS FOR THIS WORK SO AS TO MAINTAIN THE ROOF BOND.

### DAMPERS

A. SPLITTER DAMPERS SHALL BE FABRICATED OF SHEET STEEL NOT LESS THAN NO. 16 U.S. GAUGE WITH THE LEADING EDGE HEMMED. EACH DAMPER SHALL BE LARGE ENOUGH TO COVER THE SMALLER OF THE TWO OPENINGS IT CONTROLS. DAMPERS SHALL BE CONTROLLED AS FOLLOWS:

EXPOSED OR ACCESSIBLE DUCTWORK - LOCKING QUADRANTS EQUAL TO YOUNG REGULATOR NO. 1 WITH DAMPER ROD END BEARINGS ON OPPOSITE END.

CONCEALED DUCTWORK - LOCKING QUADRANT EQUAL TO YOUNG REGULATOR NO. 315 (CHROMIUM PLATED WITH DAMPER ROD END BEARINGS ON BOTH ENDS).

B. VOLUME DAMPERS SHALL BE OF THE OPPOSED INTERLOCKING TYPE AS MANUFACTURED BY AMERICAN FOUNDRY AND FURNACES CO. (AFFCO) OR EQUAL. BLADES SHALL BE OF NO. 16 GAUGE SHEET METAL AND SHALL NOT EXCEED 48" IN LENGTH OR 12" IN WIDTH. BLADES SHALL BE ON ONE-HALF INCH (1/2") DIAMETER RUSTPROOF AXLE. BEARINGS SHALL BE OF THE SELF-LUBRICATING FERRULE TYPE.

C. FIRE DAMPERS SHALL BE SUPPLIED AND INSTALLED BY HVAC CONTRACTOR AT DUCT PENETRATIONS IN FIRE RATED WALLS, CEILINGS, AND ROOFS AS REQUIRED. COORDINATE WITH LANDLORD, LOCAL FIRE MARSHALL AND ALL CODES AND GOVERNING AUTHORITIES HAVING JURISDICTION.

D. JOB FABRICATED TURNING VANES SHALL BE ACCEPTABLE IN SQUARE ELBOWS. PROVIDE AND INSTALL BARBER-COLEMAN AIR TURNS OR EQUAL. TURNING VANES SHALL BE OF THE SAME GAUGE METAL AS THE DUCT IN WHICH THEY ARE INSTALLED. RADIUS ELBOWS SHALL HAVE A CENTERLINE RADIUS OF ONE AND ONE-HALF (1-1/2) TIMES THE DUCT WIDTH.

### DUCTWORK - EXCEPTIONS

DUCTWORK FOR EXHAUSTING AIR OR OUTSIDE SUPPLY AIR SHALL BE ALL METAL AND CONSTRUCTED ACCORDING TO RECOMMENDED PRACTICES AS FOUND IN THE LATEST ISSUE OF ASHRAE.

### SUPPORT OF DUCT SYSTEM

HANGER DESIGN SHALL BE AS DESCRIBED IN THE LATEST EDITION OF THE "SMACNA" MANUAL. REINFORCEMENT MEMBERS MAY BE USED TO SUPPORT DUCT SYSTEM PROVIDED DETAILS OUTLINED IN THE AFOREMENTIONED MANUAL ARE ADHERED TO. DUCTS SHALL BE SUPPORTED AT ALL TURNS AND TRANSITIONS AND NOT MORE THAN 8'-0" O.C. STRAIGHT DUCTS UP TO 59" MAX. DIMENSIONS SHALL BE SUPPORTED 6'-0" O.C. DUCTS OVER 60" MAX. DIMENSIONS SHALL BE SUPPORTED AT 4'-0" O.C.

### REINFORCEMENT

ALL DUCTS REQUIRING REINFORCEMENT SHALL BE REINFORCED ACCORDING TO THE LATEST EDITION OF "SMACNA" MANUAL.

MATERIALS FOR REINFORCEMENT MEMBERS SHALL BE GALVANIZED STEEL. ALL SCREWS AND WASHERS SHALL BE PLATED OR GALVANIZED.

### ACCESSORY ITEMS

ALL MANUAL DAMPERS, FIRE DAMPERS, TURNING VANES, REGISTER CONNECTIONS, ACCESS DOORS OR OTHER ASSOCIATED ACCESSORIES SHALL BE INSTALLED ACCORDING TO THE LATEST PUBLICATION OF "SMACNA" MANUAL.

### TESTING AND ADJUSTING

CONTRACTOR WILL DEMONSTRATE OPERATION OF SYSTEM TO FULL SATISFACTION OF TENANT, WILL BALANCE AIR FLOW IN ACCORDANCE WITH AIR QUANTITIES ON DRAWINGS AND WILL RECORD VOLUME READINGS IN ACCORDANCE WITH ASHRAE AND PROVIDE SAME TO TENANT. ALL PIPING SHALL WITHSTAND AIR PRESSURE TESTING PER GOVERNING PLUMBING CODE.

A. AIR DISTRIBUTION SYSTEMS:

1. INSPECT INSTALLATION AND VERIFY CONFORMITY TO DESIGN. VERIFY THAT SUPPLY, RETURN, AND EXHAUST DUCTS HAVE BEEN PRESSURE-TESTED FOR LEAKAGE AS RECOMMENDED IN THE APPROPRIATE SMACNA STANDARDS.  
2. VERIFY THAT VOLUME AND FIRE DAMPERS ARE PROPERLY LOCATED AND FUNCTIONAL.  
3. VERIFY THAT SUPPLY, RETURN, EXHAUST AND TRANSFER GRILLES, REGISTERS AND DIFFUSERS ARE INSTALLED AND OPERATING PROPERLY.

B. VERIFY THAT CONTROL COMPONENTS ARE INSTALLED IN ACCORDANCE WITH PROJECT REQUIREMENTS AND ARE FUNCTIONING AS INTENDED, INCLUDING ELECTRICAL POWER, CONTROL AND INTERLOCK WIRING, DAMPER SEQUENCES, SMOKE DETECTORS, ETC.

C. UPON COMPLETION OF THE INSTALLATION AND START-UP OF THE MECHANICAL EQUIPMENT, TEST, ADJUST AND BALANCE SYSTEM COMPONENTS TO OBTAIN OPTIMUM CONDITIONS IN EACH CONDITIONED SPACE IN THE BUILDING.

D. BEFORE FINAL ACCEPTANCE IS MADE, FURNISH TO THE ARCHITECT THE FOLLOWING DATA:  
1. SUMMARY OF MAIN SUPPLY, RETURN AND EXHAUST DUCT PILOT TUBE TRANSVERSES AND FAN SETTINGS.  
2. AIR QUANTITIES AT EACH SUPPLY, RETURN, RELIEF AND EXHAUST AIR HANDLING DEVICE.  
3. AIR PRESSURE READINGS ENTERING AND LEAVING EACH SUPPLY FAN AND EXHAUST FAN.  
4. MOTOR CURRENT AND VOLTAGE READINGS AT EACH EQUIPMENT MOTOR.  
5. TEST RESULTS SHALL BE RECORDED ON STANDARD FORMS CONFORMING TO AABC AND NEBB REQUIREMENTS. THE REPORT SHALL INCLUDE AIR FLOW SCHEMATIC DIAGRAMS INDICATING AND IDENTIFYING TEST LOCATIONS SUCH AS DUCT TRANSVERSE, OUTLET READINGS, PRESSURE READINGS AND TEMPERATURE READINGS, AND SHALL BE REFERENCED TO THE RECORDED DATA ON THE FORMS.  
E. MAKE AN INSPECTION IN THE BUILDING DURING THE OPPOSITE SEASON FROM THAT IN WHICH THE INITIAL ADJUSTMENTS WERE MADE, AND AT THAT TIME MAKE ANY NECESSARY MODIFICATIONS TO THE INITIAL ADJUSTMENTS REQUIRED TO PRODUCE OPTIMUM OPERATION OF THE SYSTEM COMPONENTS, TO PRODUCE THE PROPER CONDITIONS IN EACH SPACE.  
F. INSTRUCTION: THE CONTRACTOR SHALL INSTRUCT THE BUILDING OPERATING PERSONNEL IN THE CONSTRUCTION AND OPERATION OF ALL EQUIPMENT.

### GUARANTEE

ALL MATERIALS, EQUIPMENT, AND WORKMANSHIP SHALL BE GUARANTEED FOR A PERIOD OF ONE (1) YEAR AFTER DATE OF ACCEPTANCE. THE COMPLETED SYSTEM SHALL BE FULLY OPERATIVE AND ACCEPTANCE BY TENANT SHALL BE A CONDITION OF THIS CONTRACT. ALL WORK FOUND TO BE DEFECTIVE SHALL BE REPAIRED OR REPLACED BY THIS SUBCONTRACTOR WITHOUT ADDITIONAL CHARGE TO THE TENANT.

### MECHANICAL

#### TEMPORARY SERVICES

THE CONTRACTOR SHALL PROVIDE THE FOLLOWING SPECIFIC ITEMS OF TEMPORARY SERVICES:

A. TELEPHONE - THE TENANT'S GENERAL CONTRACTOR SHALL INSTALL A JOB SITE TELEPHONE AND NOTIFY TENANT AS LISTED ON SHEET A-1 OF THE TELEPHONE NUMBER AND THE NAME OF THE SUPERINTENDENT.

B. TEMPORARY WATER - WATER REQUIRED IN THE PERFORMANCE OF THE CONTRACT SHALL BE PROVIDED AND PAID FOR BY THE CONTRACTOR. WATER USED FOR HUMAN CONSUMPTION SHALL CONFORM TO REQUIREMENTS OF STATE AND LOCAL AUTHORITIES FOR POTABLE WATER.

C. TEMPORARY ELECTRICITY - TEMPORARY ELECTRIC SERVICE REQUIRED IN THE PERFORMANCE OF THE CONTRACT SHALL BE FURNISHED AND PAID FOR BY THE CONTRACTOR WHO SHALL FURNISH, INSTALL, AND MAINTAIN ALL TEMPORARY OVERHEAD CONSTRUCTION, METERS, DROPS, AND OTHER WIRING AND FITTINGS FOR BOTH LIGHT AND POWER AT LOCATIONS REQUIRED IN THE WORK AND SHALL BEAR THE COST OF MAKING THE SERVICE CONNECTIONS. BEFORE FINAL ACCEPTANCE, TEMPORARY ELECTRICAL SERVICE FACILITIES INSTALLED BY THE CONTRACTOR SHALL BE REMOVED AND THE SERVICE CONNECTIONS SEVERED IN ACCEPTABLE MANNER.

D. TEMPORARY HEAT - WHEN REQUIRED FOR PROPER INSTALLATION OR PROTECTION OF ANY PORTION OF THE WORK, THE CONTRACTOR SHALL FURNISH AND INSTALL TEMPORARY HEATING UNITS AS APPROVED BY THE LANDLORD OR LOCAL AUTHORITY.

E. COST OF LANDLORD PROVIDED UTILITY SERVICES - IF THE LANDLORD ELECTS TO PROVIDE TEMPORARY UTILITY SERVICES, THE CONTRACTOR WILL BE SO INFORMED BY THE TENANT. THE CONTRACTOR SHALL MAKE TO PAY THE COST OF SAID TEMPORARY CONSTRUCTION AND UTILITY SERVICES.

### NOTE FOR TENANT GENERAL CONTRACTOR

IT IS THE RESPONSIBILITY OF THE TENANT'S GENERAL CONTRACTOR TO MAKE USE OF APPLICABLE NOTES AND SPECIFICATIONS LISTED ON THIS SHEET AS THEY MAY PERTAIN TO THE SPECIFIC JOB.



12100 unit 7 SNOW road  
parma, oh 44130  
www.fabobarch.com  
t:216.241.6150  
f:216.395.0053

fabo  
architecture

FIVE GUYS  
BURGERS AND FRIES

STORE # 1168

2170 MILLENNIUM BLVD. CORTLAND, OH. 44410

THIS DOCUMENT (INSTRUMENT OF SERVICE) WAS PREPARED BY FABO ARCHITECTURE, INC. (FABO) SPECIFICALLY FOR THE REFERENCED PROJECT AND IS NOT INTENDED FOR ANY OTHER USE. FABO RETAINS ALL COMMON LAW, STATUTORY AND OTHER RESERVED RIGHTS, INCLUDING COPYRIGHTS. THIS INSTRUMENT OF SERVICE SHALL NOT BE USED ON OTHER PROJECTS. FOR ADDITIONS TO THIS PROJECT OR COMPLETION OF THIS PROJECT BY OTHERS WITHOUT FABO'S PRIOR WRITTEN CONSENT, ANY UNAUTHORIZED USE OF THIS INSTRUMENT OF SERVICE SHALL BE AT THE USER'S SOLE RISK AND AT HIS/HER OWNERS RISK. FABO ASSUMES NO LIABILITY, EXPRESS OR IMPLIED, OF MERCHANTABILITY OR OF FITNESS FOR A PARTICULAR PURPOSE.

revisions:

issue date: 06-09-2023

M1.0

sheet No.  
job No. FA22149

### GENERAL MECHANICAL NOTES

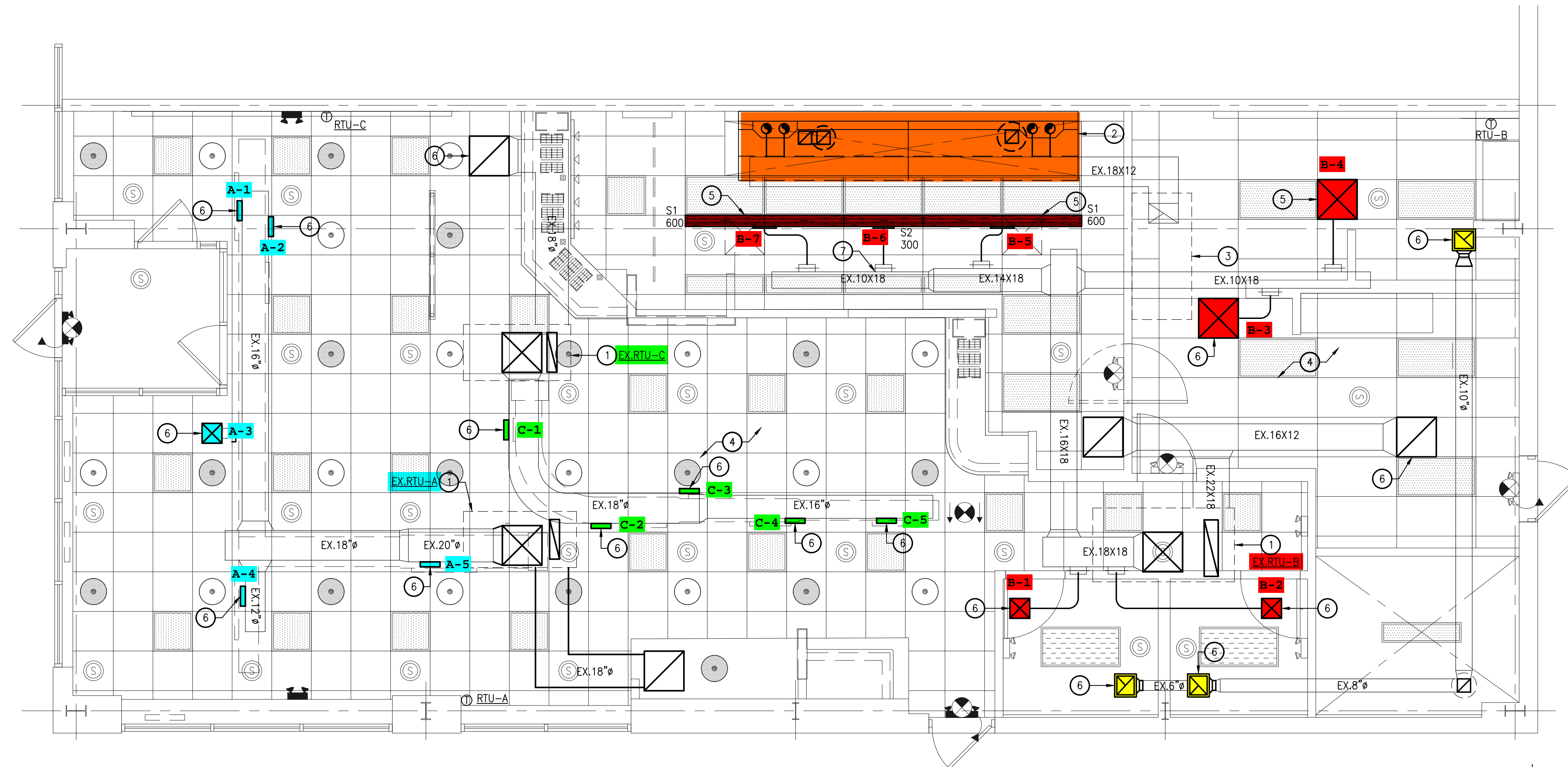
- PROVIDE ALL LOW PRESSURE DUCTWORK SIZED EQUAL TO OR LESS THAN 0.1" W.G./100' (TYP.) UNLESS SCHEDULED OTHERWISE. INDICATE ALL DUCT SIZES ON SHOP DRAWINGS.
- PROVIDE MINIMUM DUCT RADIUS ON ELBOWS AT 1-1/2 TIMES DUCT SIZE.
- PROVIDE 5'-0" MAX. FLEX DUCT CONNECTION TO DIFFUSERS, TYPICAL.
- ALL CONCEALED SUPPLY DUCTWORK NOT LOCATED IN RETURN AIR PLENUM SHALL BE INSULATED.
- ALL DUCTS SHALL BE FREE FROM CONTACT WITH ALL: PIPING, WALLS, ELECTRICAL CONDUITS, CEILING SUSPENSION SYSTEMS, ETC.
- PROVIDE THROAT WITH PROPORTIONAL SPLIT AND TURNING VANES ON TEE TRANSITIONS. (BULLHEAD TEE'S WILL NOT BE PERMITTED).
- CEILING DIFFUSER CORES AND BACK-PANS SHALL HAVE A FLAT BLACK ENAMEL FINISH. FACE TO BE OFF-WHITE BAKED ENAMEL ON PERFORATED PLATE AND MARGIN UNLESS SPECIFIED OTHERWISE BY ARCHITECT AND APPROVED BY MECHANICAL ENGINEER. NECK VELOCITIES NOT TO EXCEED 500 FPM MAXIMUM.
- PROVIDE GALVANIZED SHEET METAL DUCTWORK. ALUMINUM OR ALUMINUM FLEX IS NOT PERMITTED.
- ALL PIPING AND DUCTWORK SHALL FREELY PASS THROUGH ALL WALLS AND FLOORS WITHOUT RIGID CONNECTIONS. PENETRATION POINTS SHALL BE SLEEVED TO ALLOW PASSAGE OF PIPING OR DUCTWORK AND MAINTAIN 3/4" TO 1-1/4" CLEARANCE AROUND THE OUTSIDE SURFACES. THIS CLEARANCE SHALL BE TIGHTLY PACKED WITH ONE POUND DENSITY GLASS FIBER, AND CAULKED AIR TIGHT WITH NON-HARDENING SEALANT AFTER INSTALLATION OF PIPING OR DUCTWORK.
- PROVIDE FIRE DAMPERS WITH ACCESS IN ALL RATED WALLS IN ACCORDANCE WITH LOCAL CODES.
- FABRICATE, INSTALL, SEAL, AND INSULATE ALL DUCTWORK IN STRICT CONFORMANCE WITH THE REQUIREMENTS OF THE INTERNATIONAL MECHANICAL CODE AND THE STATE HAVING JURISDICTION BUILDING CODE.
- ALL EQUIPMENT, MATERIALS AND WORK SHALL CONFORM TO THE APPLICABLE CODES OF THE INTERNATIONAL BUILDING, FIRE, MECHANICAL, AND ELECTRICAL CODES AS ADOPTED BY THE CITY HAVING JURISDICTION AND ALL OTHER CODES, SAFETY ORDERS AND REGULATIONS AS ENFORCED BY THE THE STATE AND CITY FIRE MARSHALL'S PERTAINING TO THIS PROJECT.
- PROTECTIVE BARRIERS SHALL BE INSTALLED IN FRONT OF EQUIPMENT WHERE EQUIPMENT IS SUBJECT TO MECHANICAL DAMAGE.
- SUITABLE OPENINGS WITH TIGHTLY FITTED COVERS SHALL BE PROVIDED TO MAKE FIRE DAMPERS ACCESSIBLE FOR INSPECTION.
- CONDENSATE DRAIN LINES SHALL BE PROVIDED FOR ALL MECHANICAL EQUIPMENT WHICH PRODUCES CONDENSATE.

### MECHANICAL LEGEND

SYMBOL	DESCRIPTION
	TURNING VANE
	AIR EXTRACTOR
	OPPOSED BLADE VOLUME DAMPER
	SUPPLY DUCT
	RETURN DUCT
	EXHAUST DUCT
	FLEXIBLE DUCT CONNECTION
	LINED DUCTWORK
	THERMOSTAT
	SMOKE DETECTOR TEST STATION
	DUCT SMOKE DETECTOR TO SHUT DOWN UNIT UNDER ALARM
	UNDERCUT DOOR (BY G.C.)
	CONNECT TO EXISTING

### ABBREVIATIONS

SR	SUPPLY REGISTER	G.C.	GENERAL CONTRACTOR
RG	RETURN GRILLE	M.C.	MECHANICAL CONTRACTOR
SA	SUPPLY AIR	P.C.	PLUMBING CONTRACTOR
RA	RETURN AIR	E.C.	ELECTRICAL CONTRACTOR
VD	VOLUME DAMPER	CLG.CEIL.	CEILING
FD	FIRE DAMPER	A.F.F.	ABOVE FINISHED FLOOR
UCD	UNDERCUT DOOR	ETR	EXISTING TO REMAIN



1 EXISTING HVAC PLAN  
SCALE: 1/4" = 1'-0"

### CODED NOTES

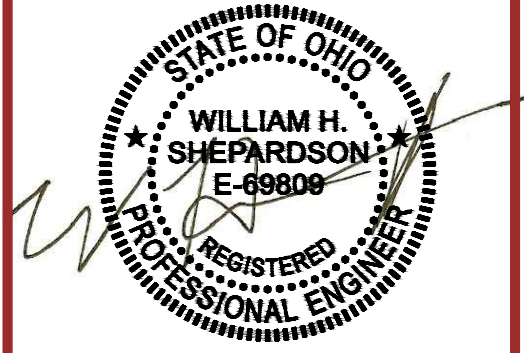
- EXISTING RTU TO REMAIN. FIELD VERIFY PROPER WORKING CONDITON
- EXISTING HOOD TO REMAIN.
- EXISTING MAKE UP AIR UNIT TO REMAIN.
- EXISTING DUCTWORK TO REMAIN UNLESS OTHERWISE STATED.
- EXISTING SUPPLY DIFFUSER/RETURN GRILLE/EXHAUST FAN TO BE REMOVED AND REPLACED WITH NEW IN NEW CEILING GRID. EXTEND BRANCH DUCTWORK AS NECESSARY. VERIFY EXACT PAINT COLOR WITH ARCHITECT.
- EXISTING SUPPLY DIFFUSER/RETURN GRILLE/EXHAUST FAN TO REMAIN. CLEAN EXITING DIFFUSER PRIOR TO COMPLETION OF CONSTRUCTION. REPAINT EXISTING DIFFUSER AS NEEDED. VERIFY EXACT PAINT COLOR WITH ARCHITECT.
- CONNECT NEW BRANCH DUCTWORK TO EXISTING MAIN BRANCH IN AREA.

### BRANCH DUCTWORK

CFM	DUCT SIZE
0-100	6"
101-250	8"
251-400	10"
401-650	12"

### FIELD VERIFY ALL CONDITIONS

- DESIGN DRAWINGS ARE SCHEMATIC. THIS CONTRACTOR SHALL VISIT THE SITE PRIOR TO BIDDING OR AWARD OF CONTRACT TO INSPECT EXISTING FIELD CONDITIONS. THIS CONTRACT SHALL INCLUDE ALL LABOR AND MATERIALS NECESSARY FOR FIELD MODIFICATIONS DUE TO EXISTING CONDITIONS.
- THE CONTRACTOR SHALL CONTACT THE ARCHITECT, ENGINEER OR OWNER PRIOR TO BIDDING FOR INTERPRETATIONS AND CLARIFICATIONS OF THE DESIGN AND INCLUDE IN HIS BID ALL COSTS TO MEET THE DESIGN INTENT. CLARIFICATIONS MADE BY THE ARCHITECT, ENGINEER OR OWNER AFTER BIDDING WILL BE FINAL AND SHALL BE IMPLEMENTED AT CONTRACTORS COST.
- BIDDING CONTRACTORS SHALL HAVE A WORKING KNOWLEDGE OF LOCAL CODES AND ORDINANCES AND SHALL INCLUDE IN THEIR BIDS THE COSTS FOR ALL WORK INSTALLED IN STRICT ACCORDANCE WITH GOVERNING CODES, THE PLANS AND SPECIFICATIONS NOT WITHSTANDING. THE CONTRACTOR SHALL ALERT ARCHITECT, ENGINEER OR OWNER OF ANY APPARENT DISCREPANCIES BETWEEN GOVERNING CODES AND DESIGN INTENT.



12100 unit 7 SNOW road  
parma, oh 44130  
www.faboarch.com  
t:216.241.6150  
f:216.395.0053

**fabo**  
architecture

**FIVE GUYS**  
BURGERS and FRIES

STORE # 1168  
2170 MILLENNIUM BLVD.  
CORTLAND, OH. 44410

THIS DOCUMENT ("INSTRUMENT OF SERVICE") WAS PREPARED BY FABO ARCHITECTURE, INC. ("FAI") SPECIFICALLY FOR THE REFERENCED PROJECT AND IS NOT INTENDED FOR ANY OTHER USE. FAI RETAINS ALL COMMON LAW, STATUTORY AND OTHER RESERVED RIGHTS, INCLUDING COPYRIGHTS. THIS INSTRUMENT OF SERVICE SHALL NOT BE USED ON OTHER PROJECTS. FOR ADDITIONS TO THIS PROJECT OR COMPLETION OF THIS PROJECT BY OTHERS WITHOUT FAI'S PRIOR WRITTEN CONSENT, ANY UNAUTHORIZED USE OF THIS INSTRUMENT OF SERVICE SHALL BE AT THE USER'S SOLE RISK AND LIABILITY. NO WARRANTIES, EXPRESS OR IMPLIED, OF MERCHANTABILITY OR OF FITNESS FOR A PARTICULAR PURPOSE.

revisions:

issue date: 06-09-2023

**M2.0**

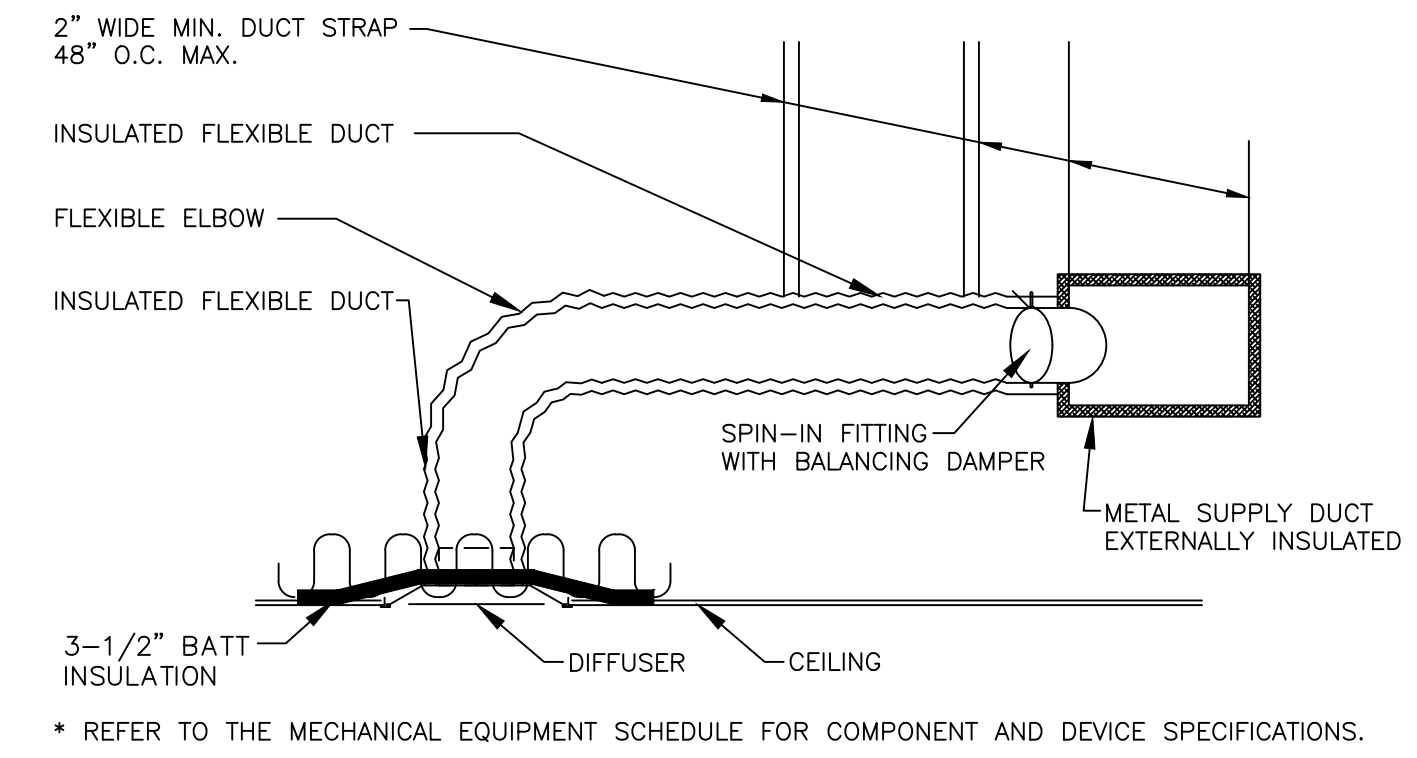
sheet No.  
job No. FA22149

**1** NOT USED  
NO SCALE

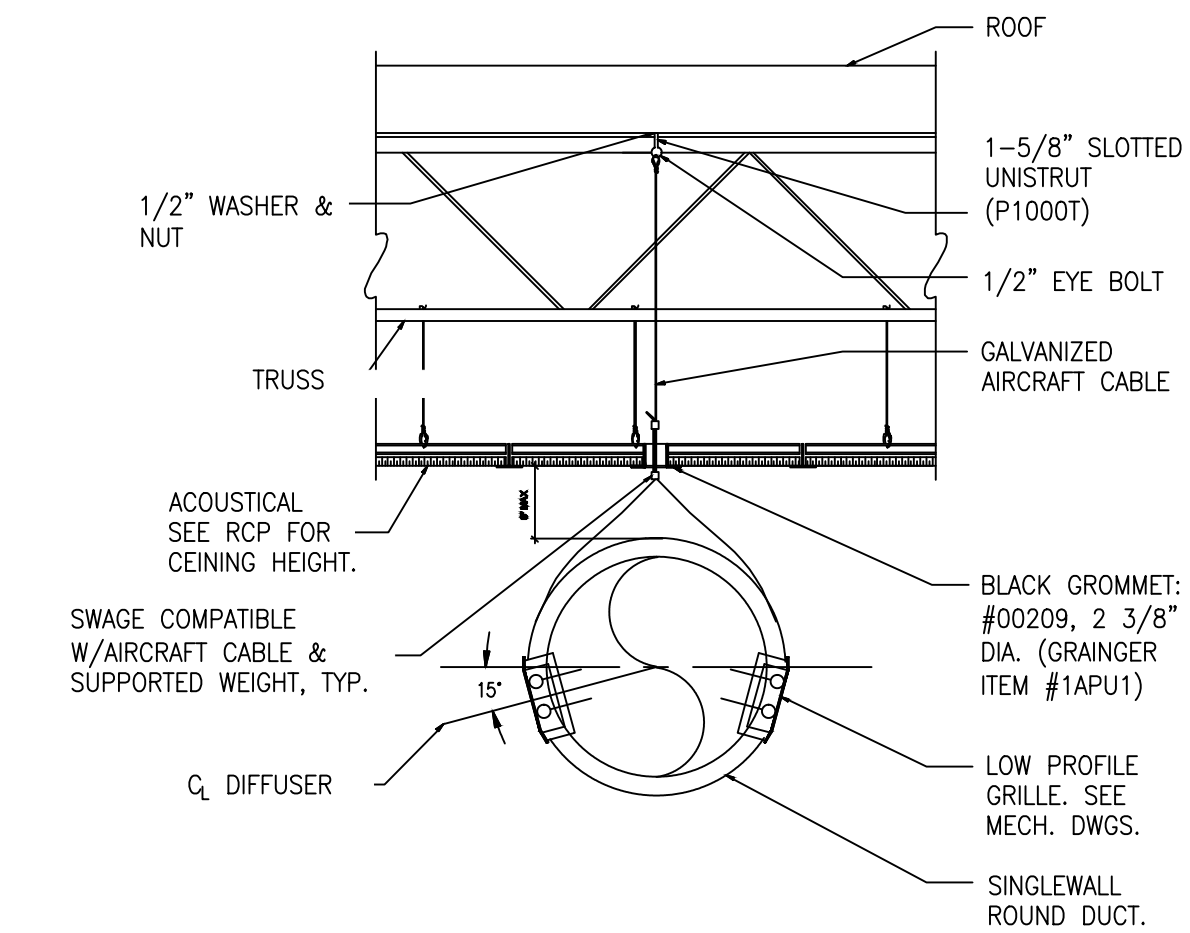
**2** NOT USED  
NO SCALE

**3** NOT USED  
NO SCALE

**4** HVAC DUCTWORK DETAIL  
NO SCALE



\* REFER TO THE MECHANICAL EQUIPMENT SCHEDULE FOR COMPONENT AND DEVICE SPECIFICATIONS.

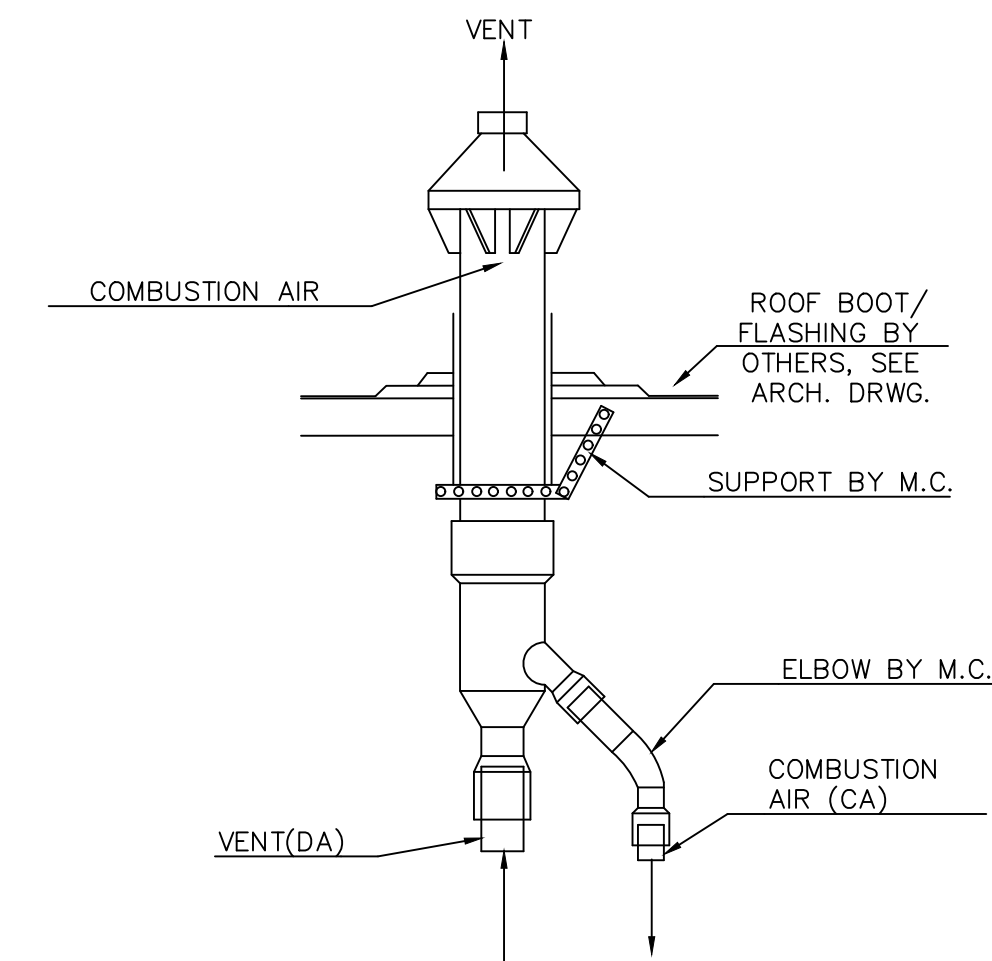


**5** EXPOSED DUCT DETAIL DETAIL  
SCALE: NONE  
NOTE: SPIRAL DUCT, VENTS AND HANGER WIRE TO BE FINISHED P-3, FULL TILE AT HANGER WIRE LOCATIONS, GLUE BLACK GROMMET IN HANGER WIRE OPENINGS. DO NOT BOX OUT SUPPLY REGISTER.

**6** NOT USED  
NO SCALE  
NOTE: PROVIDE SECOND DUCT CLEANOUT AT 6\"/>

**7** NOT USED  
NO SCALE

**8** CONCENTRIC VENT KIT DETAIL  
NO SCALE



AIR DEVICE SCHEDULE						
PLAN MARK	MFR	MODEL	FACE SIZE	NECK SIZE	TYPE	NOTES
S1	TITUS	FL15	8'	SCHEDULE	DIFF.	1,2,3,4,5
S2	TITUS	FL15	4'	SCHEDULE	DIFF.	1,2,3,4,5

NOTES:  
 1. PROVIDE ADAPTOR BOOTS AS REQUIRED.  
 2. FINISH SHALL MATCH CEILING FINISH UNLESS OTHERWISE SPECIFIED. VERIFY FINISHES WITH ARCHITECTURAL DRAWINGS PRIOR TO ORDERING.  
 3. EXTRACTOR DAMPER.  
 4. PROVIDE SQUARE TO ROUND ADAPTOR AS REQUIRED.  
 5. #26 WHITE IN KITCHEN, PREP, VESTIBULE, AND RESTROOMS, #84 FACTORY BLACK IN DINING ROOM AND HALL.



12100 unit 7 SNOW road  
parma, oh 44130  
www.faboarch.com  
t: 216.241.6150  
f: 216.395.0053

**fabo**  
architecture

**FIVE GUYS**  
BURGERS and FRIES

STORE # 1168  
2170 MILLENNIUM BLVD. CORTLAND, OH. 44410

THIS DOCUMENT ("INSTRUMENT OF SERVICE") WAS PREPARED BY FABO ARCHITECTURE, INC. ("FAO") SPECIFICALLY FOR THE REFERENCED PROJECT AND IS NOT INTENDED FOR ANY OTHER USE. FAO RETAINS ALL COMMON LAW, STATUTORY AND OTHER RESERVED RIGHTS, INCLUDING COPYRIGHTS. THIS INSTRUMENT OF SERVICE SHALL NOT BE USED ON OTHER PROJECTS. FOR ADDITIONS TO THIS PROJECT OR COMPLETION OF THIS PROJECT BY OTHERS WITHOUT FAO'S PRIOR WRITTEN CONSENT, ANY UNAUTHORIZED USE OF THIS INSTRUMENT OF SERVICE SHALL BE AT THE USER'S SOLE RISK AND LIABILITY. NO WARRANTIES, EXPRESS OR IMPLIED, OF MERCHANTABILITY OR OF FITNESS FOR A PARTICULAR PURPOSE.

revisions:


issue date: 06-09-2023

**M3.0**  
sheet No.  
job No. FA22149