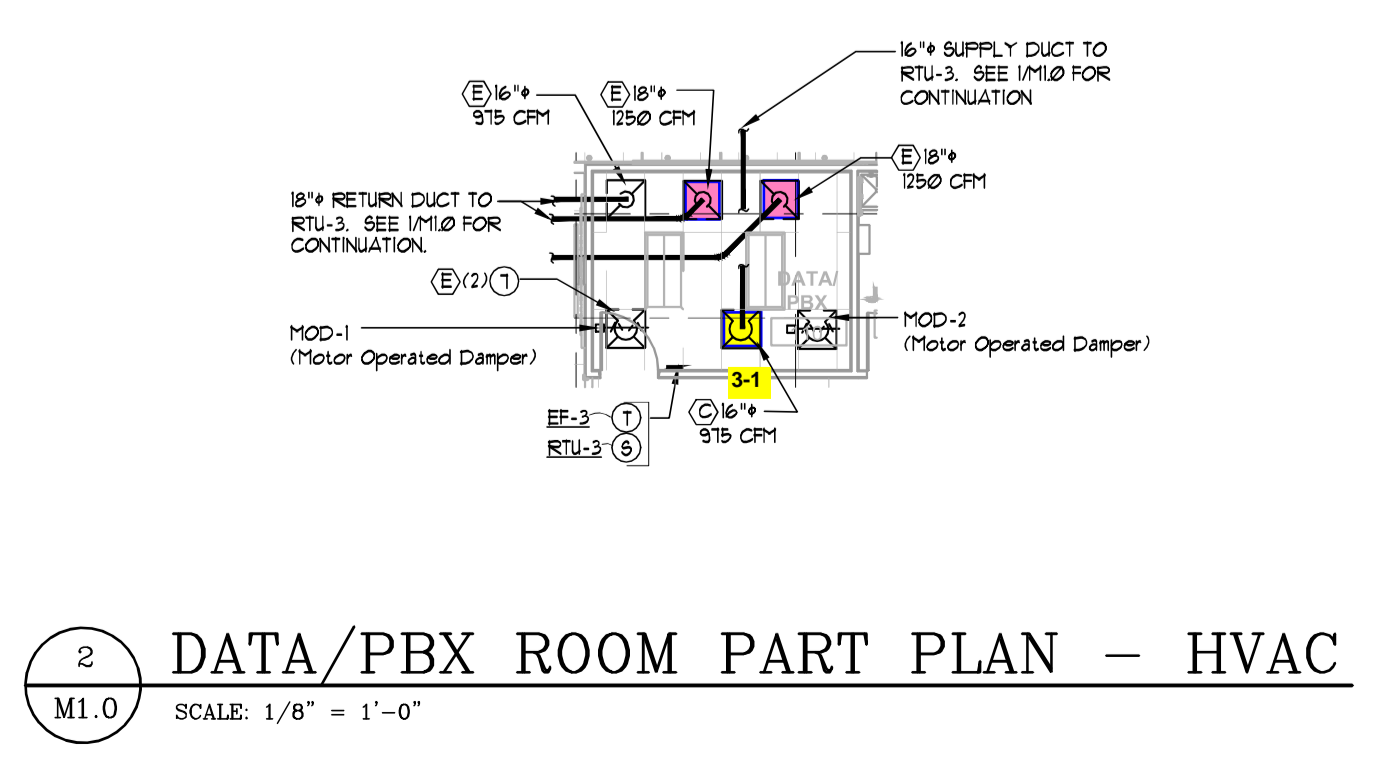


**1 FLOOR PLAN - HVAC**  
 SCALE: 1/8" = 1'-0"

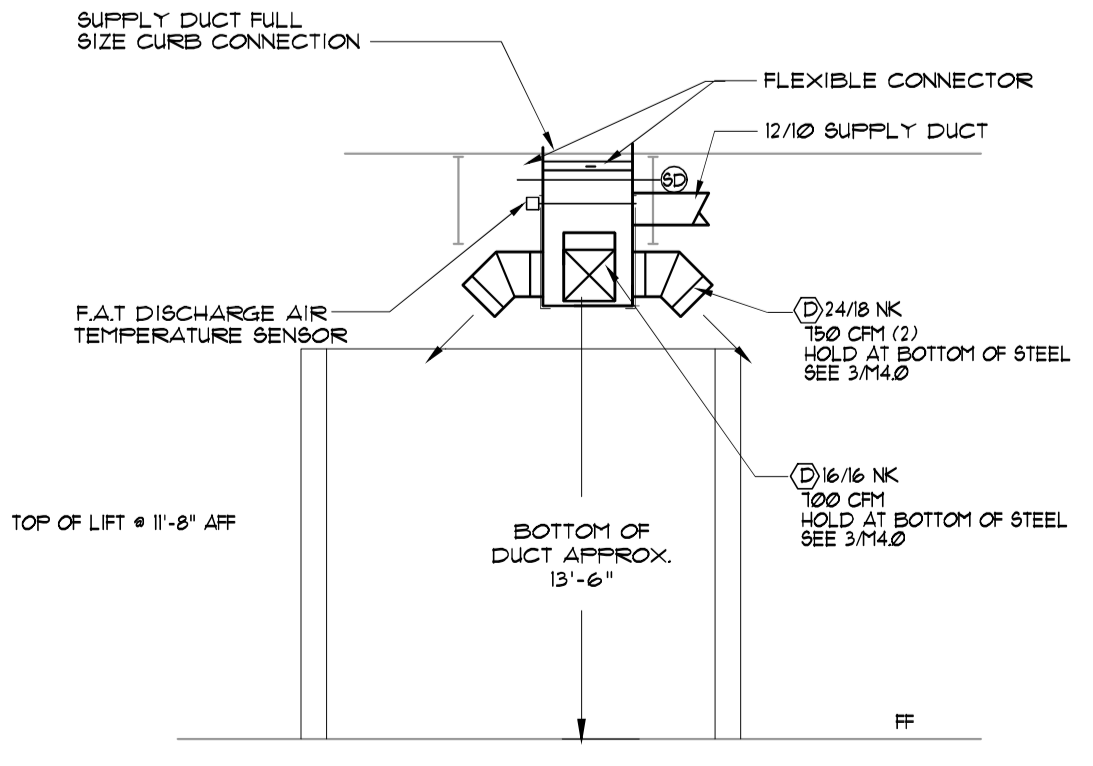
- KEYED NOTES:**
- 1/4" TRANSFER OPENING IN WALL HIGH AT BOTTOM OF BAR JOISTS. COVER WITH TYPE 'F' GRILLE ON SERVICE SIDE OF WALL.
  - PLENUM FULL-SIZE OF UNIT CONNECTION.
  - 1/4" TRANSFER OPENING IN WALL APPROX 12" ABOVE CEILING. COVER WITH TYPE 'F' GRILLE ON JANITOR SIDE OF WALL.
  - 1/4" TRANSFER OPENING IN WALL \* 12" ABOVE CEILING. COVER OPENING WITH 1/2" W/2" WELDED WIRE MESH SCREEN.
  - HOLD DUCT TIGHT TO BOTTOM OF STRUCTURE.
  - 6" x 6" FLEX UP THRU ROOF. SEE 1/10" FOR CONTINUATION. SEE DETAIL 1/14" D.
  - 22" Ø 2" V-MOTOR OPERATED DAMPER IN PLENUM. INTERLOCK WITH EF-3 NORMALLY CLOSED, DRIVE OPEN.
  - 6" x 6" EXHAUST DUCT UP THRU ROOF TO ROOF CAP. SEE 1/10" FOR CONTINUATION.
  - TAMPER RESISTANT THERMOSTAT. BOTTOM \* 12" AFF.
  - SLEEVE DUCT AT WALL PENETRATION.
  - NON ADJUSTABLE THERMOSTAT \* 48" AFF.
  - DUCT TO BE INTERNALLY LINED. SEE SPEC SECTION 9050.
  - 1/4" TRANSFER OPENING IN WALL APPROX 12" AFF. COVER WITH TYPE 'F' GRILLE ON BOTH SIDES OF WALL.
  - HOLD DUCT HIGH BETWEEN BAR JOISTS.
  - COVER OPEN SIDE OF LOUVER WITH 1/2" W/2" WELDED WIRE MESH AND TRAFFE.
  - EXHAUST AIR DISCHARGE INTO PLENUM.
  - BLADES NEAR WALL SHALL BE POSITIONED VERTICALLY STRAIGHT DOWN. BLADES NEAR DRIVE AISLE SHALL BE AT 45° SPLIT POSITIONING OF BLADES EVENLY.

SERVICE AREA AIR BALANCE		
ITEM	OUTSIDE AIR	EXHAUST
RTU-5	2500	
EF-7		2000
EF-8		300
TOTAL	2500	2300

- 1 FAN ON CONTINUOUS DURING OCCUPIED
- 105 CFM MINIMUM EXHAUST REQUIRED \* 15 CFM/SP. PER 2000 SQ. FT. TABLE 403.3 FOR RESTAURANT GARAGES. SHOP NET AREA APPROX 900 SF.
- MINIMUM CFM/SP EXHAUST 500 CFM \* 6" AFF FOR EXHAUSTION TO CLASS II DIVISION II CONTINUATION.

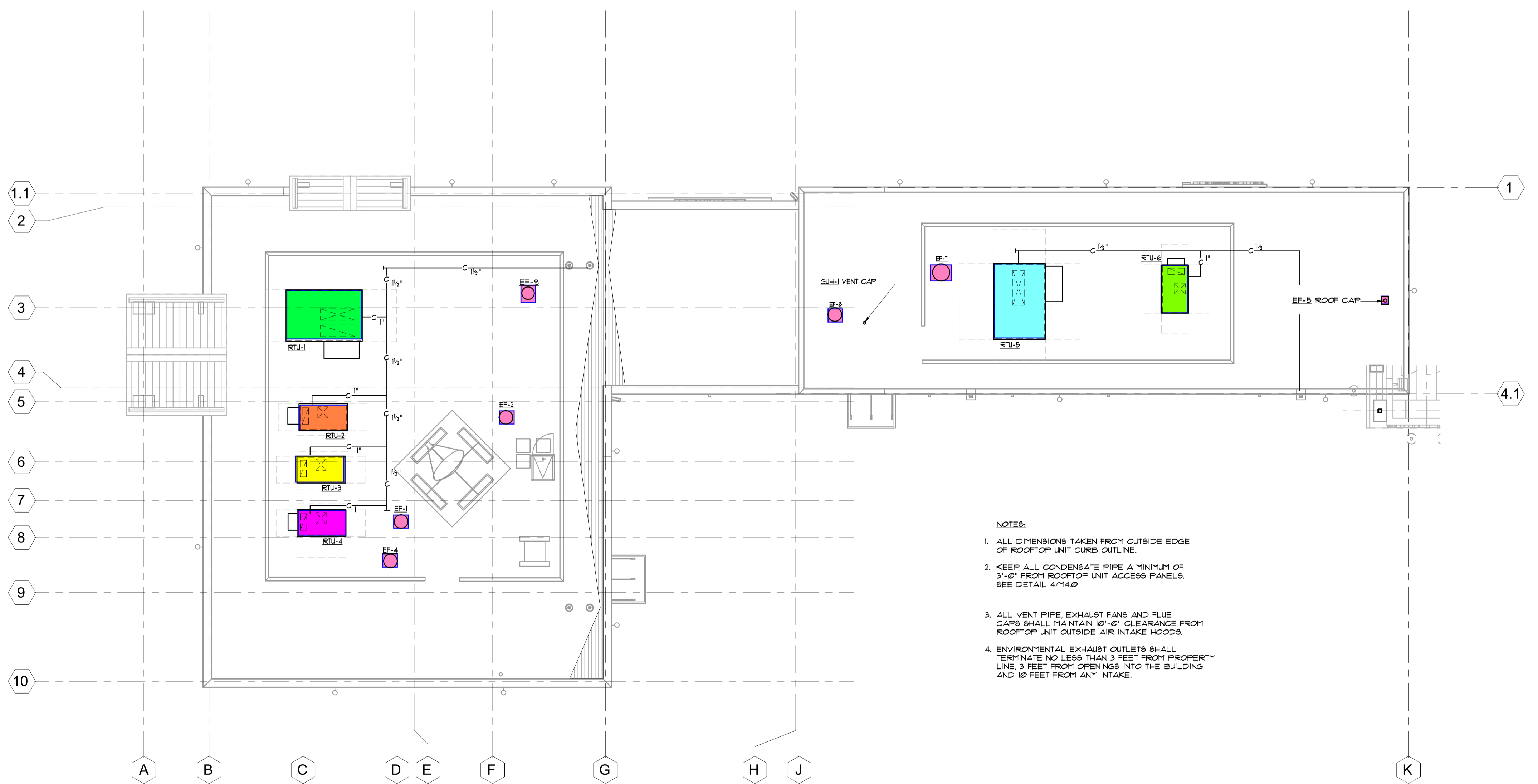


**2 DATA/PBX ROOM PART PLAN - HVAC**  
 SCALE: 1/8" = 1'-0"



- NOTE:**
- SUPPORT DUCT ON BOTH SIDES OF FLEX CONNECTOR INDEPENDENT OF EACH OTHER (TYPICAL)
  - DUCT HANGAR STRAPS SHALL EXTEND TO BOTTOM OF PLENUM SECURE TO BAR JOISTS.

**3 ELEVATION - HVAC**  
 SCALE: 1/8" = 1'-0"



- NOTES:
1. ALL DIMENSIONS TAKEN FROM OUTSIDE EDGE OF ROOFTOP UNIT CURB OUTLINE.
  2. KEEP ALL CONDENSATE PIPE A MINIMUM OF 3'-0" FROM ROOFTOP UNIT ACCESS PANELS. SEE DETAIL 4114.0.
  3. ALL VENT PIPE, EXHAUST FANS AND FLUE CAPS SHALL MAINTAIN 10'-0" CLEARANCE FROM ROOFTOP UNIT OUTSIDE AIR INTAKE HOODS.
  4. ENVIRONMENTAL EXHAUST OUTLETS SHALL TERMINATE NO LESS THAN 3 FEET FROM PROPERTY LINE, 3 FEET FROM OPENINGS INTO THE BUILDING AND 10 FEET FROM ANY INTAKE.

1 ROOF PLAN - HVAC  
 M2.0 SCALE: 1/8" = 1'-0"