

MECHANICAL NOTES

- SEE SECTION 15F IN SPECIFICATIONS FOR AIR CONDITIONING AND HEATING CONTROLS.
- SEE ARCHITECTURAL DRAWING FOR HVAC UNIT ROOF CURB AND SUPPORT DETAIL.
- ALL NON-AIR CONDITIONING COMPRESSORS LISTED WITH REFRIGERANT PIPING SHALL BE FURNISHED BY WALGREENS. ALL ELECTRICAL WORK (SEE DRAWING E1.2) AND PLUMBING WORK (SEE DRAWING P1.1), INCLUDING ROOF SUPPORTS, FURNISHED BY CONTRACTOR.
- SEE ARCHITECTURAL DRAWING FOR ROOF-TOP COMPRESSOR CURB AND SUPPORT DETAIL.

SUPPLY AIR DIFFUSER

DUCT SIZE
DUCT SIZE
NECK SIZE
SEE BELOW
OVERALL DIFFUSER
T-BAR SPACING

NOTES:

- ALL ALUMINUM WITH WHITE FACTORY FINISH TO MATCH CEILING GRID.
- SQUARE, ROUND, OR RECTANGULAR NECK.

METALAIRE 5500-65-S4-APD-0BD
-OR-
KRUEGER 5SHPC-4-23-0BD
-OR-
TITUS TDC-A-AA-A4-3-0BD

METALAIRE 5500-65-S4-APD-0BD
-OR-
KRUEGER 5580H
-OR-
TITUS 300FL

DIFFUSER TYPE (ALUMINUM CONSTR.)
FRAME (LAY-IN)
OPPOSED BLADE DAMPER
AIR PATTERN DEFLECTOR
AIR PATTERN (4-WAY)

(NO SUBSTITUTION ACCEPTED FOR METALAIRE, KRUEGER, AND TITUS)

1
M2.1

SUPPLY AIR GRILLE

DUCT SIZE
DUCT SIZE
-3/8"

NOM. SIZE
+2"

NOTES:

- ADJUSTABLE, DOUBLE DEFLECTION.
- ALL ALUMINUM WITH WHITE FACTORY FINISH.
- WITH OPPOSED BLADE DAMPER.

METALAIRE H4004D
-OR-
KRUEGER 5880H
-OR-
TITUS 300FL

(NO SUBSTITUTION ACCEPTED FOR METALAIRE, KRUEGER, AND TITUS)

2
M2.1

DUCT DETECTOR DETAIL

120 V. CONTROL CIRCUIT
DUCT HOUSING AND BASE WITH PHOTOELECTRIC DETECTOR
120/24 V. TRANSFORMER LOCATED IN DETECTOR HOUSING.
L.E.D. ALARM INDICATOR TO BE MOUNTED ON CEILING DIRECTLY BENEATH SMOKE DETECTOR.
1/2" CONDUIT. (NUMBER OF WIRES ACCORDING TO MANUFACTURER.)
REMOTE RESET STATION
POWER
NORMAL
ALARM
TEST
DUCT DETECTOR TROUBLE INDICATOR, W/ AUDIBLE & VISUAL SIGNALS.
CEILING
NOTE: ELECTRICAL CONTRACTOR SHALL COORDINATE A/C SHUT DOWN WITH MECHANICAL CONTRACTOR. COORDINATE EXACT LOCATION OF TEST AND RESET SWITCHES, AND HORN, WITH THE OWNER AND/OR ARCH.

KEYED REMOTE TEST STATION LOCATED NEXT TO THERMOSTAT, AS SHOWN ON SHEET M-1. TEST STATION TO HAVE POWER L.E.D. AND L.E.D. ALARM INDICATOR WITH BUZZER.

PROVIDE CONDUIT AND WIRING TO INTERCONNECT ALL DUCT DETECTORS. IF ANY ONE IS SET OFF ALL WILL ACTIVATE UNIT SHUTDOWN.

NOT TO SCALE

8125412295

RETURN AIR GRILLE

DUCT SIZE
DUCT SIZE
-1/4"

NOTES:

- 0 DEGREE DEFLECTION.
- ALL ALUMINUM WITH WHITE FACTORY FINISH.
- 1"x1"x1" EGGRATE GRID.

METALAIRE CC1
-OR-
KRUEGER EGC-10
-OR-
TITUS 50F

(NO SUBSTITUTIONS ACCEPTED FOR METALAIRE, KRUEGER, AND TITUS)

3
M2.1



PIPE PORTAL

REFRIGERANT PIPING AND CONDUIT AS REQUIRED.
WATER TIGHT ACCESS PANEL OVER ENTIRE TOP.
6" X 10" ALUMINUM DUCT (20 GA.)
REFRIGERANT LINES BY WALGREENS.
PROVIDE END COVER. CAULK ALL JOINTS. ALL TOPINGS WATER TIGHT.
CURB
ATTACH TO ROOF CURB ALL AROUND.
ROOF CONSTRUCTION
BACK SOLID AROUND CONDUIT AND PIPING FULL HEIGHT OF CURB WITH FIBERGLASS BATT TYPE INSULATION.

NOTE:

- SEE DRAWING A4.2 FOR ADDITIONAL INFORMATION.

4
M2.1

POWER ROOF FAN & GRAVITY VENTILATOR (EXHAUST, SUPPLY)

POWER ROOF FAN OR GRAVITY VENTILATOR.
POWER BACKDRAFT DAMPER WITH POWER FANS ONLY.
INDIVIDUAL EXHAUST DUCTS
SQUARE INSIDE

MANUFACTURER: ACME, COOK, GREENHECK, JENN-AIRE OR PENN.

4
M2.1

TYPICAL INSTALLATION DETAILS

- RETAINING ANGLES: MINIMUM 1-1/2" X 1-1/2" X 0.054 (16 GA.) RETAINING ANGLES MUST OVERLAP STRUCTURE OPENING 1" MINIMUM AND COVER CORNERS OF OPENINGS AS SHOWN.
- CLEARANCE: 1/8" PER LINEAR FOOT BOTH DIMENSIONS
- STEEL SLEEVE:
- APPROVED FIRE DAMPER (CURTAIN OR BLADE TYPE)
- SECURE RETAINING ANGLES TO SLEEVE NO. 10 STEEL SCREWS
- SECURE DAMPER TO SLEEVE ON 8" CENTERS WITH NO. 10 STEEL SCREWS
- CONNECT DUCT TO SLEEVE WITH BREAKAWAY CONNECTION
- INSTALL ACCESS DOOR IN DUCT WORK. PROVIDE ACCESS DOWN IN CEILING IF CEILING IS NOT A LAY-IN TYPE CEILING

NOTE: ALL SMOKE AND FIRE DAMPERS (UNDER 16" IN HEIGHT) SHALL BE OVERSIZED BY 2" AND TRANSITIONED DOWN TO DUCT SIZE TO MAXIMIZE FREE AREA.

DUCT MAY ATTACH TO SLEEVE OR DAMPER

(A) (B) (C) (D) (E) (F) (G) DUCT (TYPICAL)

FIRE DAMPER DETAIL

NOT TO SCALE

CEILING DIFFUSER

MANUAL VOLUME DAMPER
BUCKLEY BELLMOUTH AIRTITE "BM" FITTING.
SUPPORT TO STRUCTURE ABOVE.
ROUND DUCT SEE PLAN FOR SIZE
WRAP INSULATION TO FLEX DUCT WITH DUCT TAPE FORMING AIRTIGHT SEAL
WRAP INSULATION DOWN TO CEILING FORMING AIRTIGHT SEAL.
MAIN DUCT
REFER TO ARCH. DWGS. FOR CEILING TYPE
CEILING DIFFUSER
METAL CLAMP AROUND FLEX DUCT & COLLAR. CONNECTION TO BE DRAWN TIGHT & TAPED.

NOTES:

- METHOD OF INSTALLATION FOR AIRTIGHT SEAL WILL BE TYPICAL FOR ALL FLEX CONNECTIONS TO AIR DISTRIBUTION DEVICES.
- REFER TO DIFFUSER SCHEDULE FOR CORRECT CEILING DIFFUSER.

NOT TO SCALE

8154412295

ROOFTOP PACKAGE AC UNIT DETAIL

FILTER ACCESS PANEL
FACTORY INSTALLED INTERNALLY TRAPPED CONDENSATE DRAIN LEADER @ 1/4" FT SLOPE
CONDENSOR COIL WITH BRONZEGLCO COATING
12" MINIMUM
ROOF SURFACE
16" HI MINIMUM - 16 GA. INSULATED ROOF CURB
OUTSIDE AIR HOOD W/ DAMPER.
SUPPLY AIR OPENING
RETURN AIR OPENING

NOT TO SCALE

Walgreens

PROJECT TYPE

DRAWINGS / SPECIFICATIONS BY:
 WALGREENS' CONSULTANT
 LANDLORD'S CONSULTANT

ALL CONSTRUCTION WORK, UNLESS NOTED OTHERWISE, BY:
 WALGREENS' CONTRACTOR
 LANDLORD'S CONTRACTOR (TURNKEY CONSTRUCTION)

STORE	BUILDING
NEW	NEW
REMODELING	EXISTING
RELOCATION	NEW SHELL ONLY
OTHER	

R.A. KAMM & ASSOC. JOB #97590

R.A. KAMM & ASSOCIATES, INC. SEAL
CONSULTING ENGINEERS
 947 CLINT MOORE ROAD
 BOCA RATON, FL 33487
 (661) 995-8636
 ROBERT A. KAMM - MECHANICAL
 FLORIDA LICENSE #44004

NO.	DATE	BY	DESCRIPTION	CONST.
2	12/23/97	RG	OWNERS COMMENTS	
1	11/10/97	RG	OWNERS COMMENTS	

REVISIONS

CERTIFICATION AND SEAL

I HEREBY CERTIFY THAT THIS PLAN AND SPECIFICATION WAS PREPARED BY ME OR UNDER MY DIRECT SUPERVISION AND THAT I AM A DULY REGISTERED ARCHITECT OR ENGINEER UNDER THE LAWS OF THE STATE OF FLORIDA AS SIGNIFIED BY MY HAND AND SEAL.

MARC WEINER, RIA
 ARCHITECTURE/PLANNING
 33 SE 14TH STREET, SUITE 101
 BOCA RATON, FLORIDA 33432
 561-750-4111
 FAX 561-00340

PROJECT NAME
WALGREENS
 ROSELAND AND FELLSMERE
 ROADS
 SEBASTIAN, FLORIDA

DRAWING TITLE
 MECHANICAL SCHEDULE & DETAILS

DATE: 09/22/97	STORE NO. 12-0489	DRAWING NO.
DRAWN BY: RG	SCALE: AS NOTED	M2.1
REVIEWED BY: RAK	RELEASED TO CONSTRUCTION	OF DWG.

FAN SCHEDULE

UNIT	AREA SERVED	CFM	SP.	MOTOR		RPM	TYPE	MAKE AND MODEL
				HP WATTS	VOLTS PHASE			
EF-1	OFFICE	300	.375	121	120/1	1000	CEILING EXHAUST	GREENHECK SP-250
EF-2	EMPLOYEE ROOM	300	.375	121	120/1	1000	CEILING EXHAUST	GREENHECK SP-250
EF-3	MENS TOILET	300	.375	121	120/1	1000	CEILING EXHAUST	GREENHECK SP-250
EF-4	WOMENS TOILET	300	.375	121	120/1	1000	CEILING EXHAUST	GREENHECK SP-250
EF-5	ONE HOUR PHOTO	750	.375	285	120/1	950	CEILING EXHAUST	GREENHECK SP-260

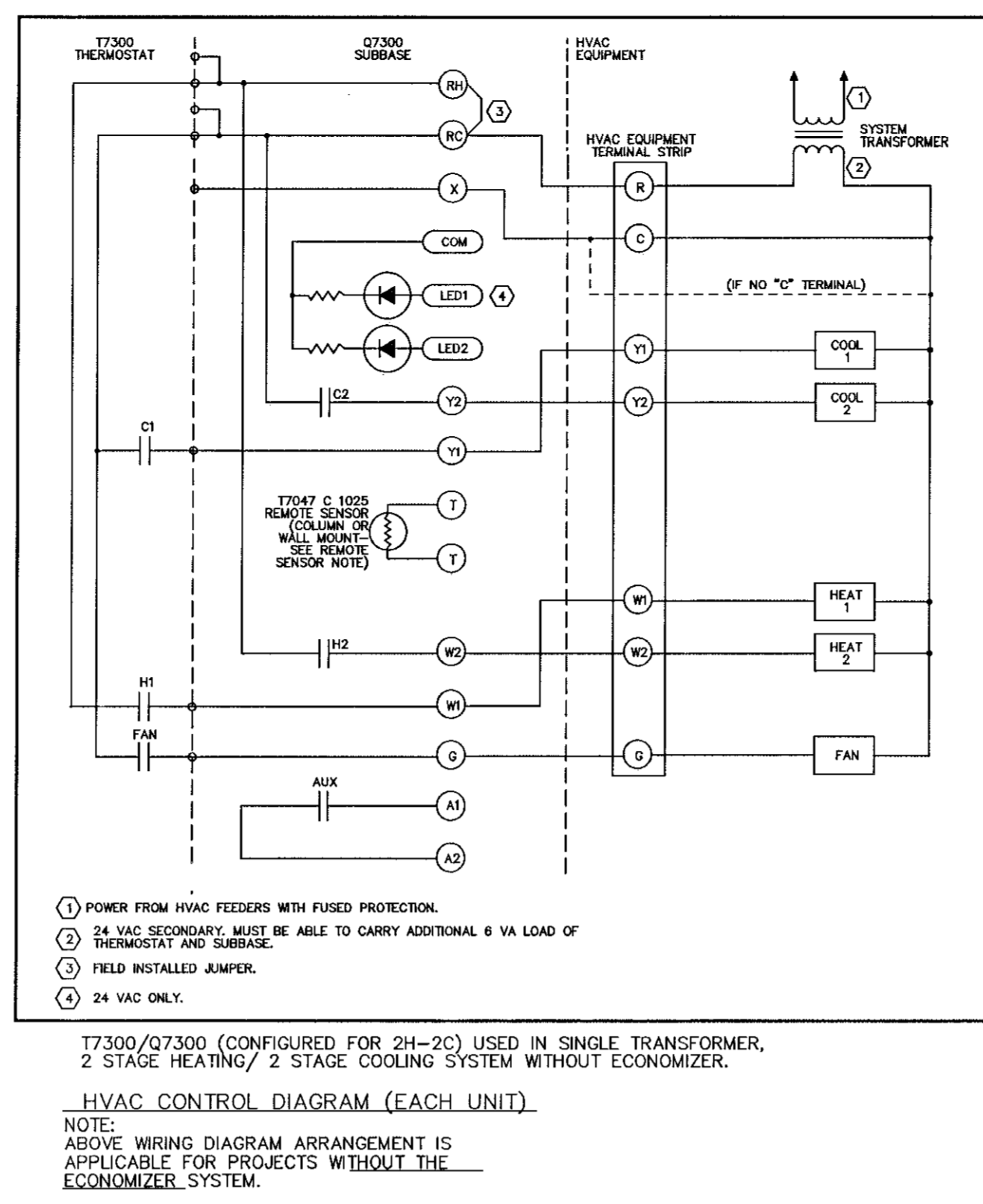
ACCESSORIES:
BACK DRAFT DAMPER

NATIONAL ACCOUNTS

I. HVAC UNITS

A. WALGREEN CO. INTENDS TO HAVE INSTALLED ON ALL PROJECTS EAST OF THE MISSISSIPPI RIVER PLUS PUERTO RICO (EXCEPT FOR THE STATE OF ILLINOIS), CARRIER EQUIPMENT FOR ALL OF 1996, AND WEST OF THE MISSISSIPPI RIVER AND THE STATE OF ILLINOIS, TRANE EQUIPMENT FOR ALL OF 1996.

- FOR TRANE EQUIPMENT, CALL ANNA SPEAR HANAS @ (800)453-6954 TO COORDINATE YOUR PURCHASE ORDER AGREEMENT AND EQUIPMENT DELIVERY.
- FOR CARRIER EQUIPMENT, CALL DEBORAH ROY JONES @ (315)432-7941 TO COORDINATE YOUR PURCHASE ORDER AGREEMENT AND EQUIPMENT DELIVERY.



" NO SUBSTITUTIONS FOR HONEYWELL "

(CONTROLS WITH OTHER NAMEPLATES, SUCH AS LENOX AND YORK, WHICH ARE MADE BY HONEYWELL AND PERFORM EXACTLY AS HONEYWELL ARE ACCEPTABLE)

PROGRAM		
1) COOLING 76 F	2) HEATING 72 F	OCCUPIED SALES AND PHARMACY
1) COOLING 78 F	2) HEATING 68 F	
1) COOLING 85 F	2) HEATING 60 F	NOT OCCUPIED SALES/ GENERAL STOCKROOM
1) COOLING 80 F	2) HEATING 68 F	NOT OCCUPIED PHARMACY

(NOTE: ENTRANCE HEATER NOT OCCUPIED TEMPERATURE TO BE SET AT 50 F)

OCCUPIED (ON) 8 AM
UNOCCUPIED (OFF) 10 PM

O/A CALCULATION

O/A PER ASHRAE 62-89
7023 SQ.FT. NET OCCUPIABLE SPACE
7023 SQ.FT. X 0.3 = 2107 CFM O/A

RTU-1 - ADJUST TO 475 CFM
RTU-2 - ADJUST TO 475 CFM
RTU-3 - ADJUST TO 475 CFM
RTU-4 - ADJUST TO 475 CFM
RTU-5 - ADJUST TO 250 CFM
RTU-6 - ADJUST TO 175 CFM

ROOF-TOP UNIT SCHEDULE

NOTE: AT 95 DEG. CONDENSER ENTRANCE AIR TEMPERATURE & ARI CONDITIONS. (PROVIDE BONZEGL0 ON COILS) REFER TO BOOK SPEC

UNIT	MANUFACTURER	MODEL	AREA SERVED	CFM	COOLING MBH TOTAL/SENS.	BTUH HEATING (KW/VOLTS)	O/A CFM	OUT.FAN DATA NO. FLA(EA)	IND.FAN DATA H.P. FLA(EA)	COMPRESSOR DATA NO. FLA	ELECTRICAL DATA	EER	MCA	MOCP @ 208V.	OPER. WEIGHT
RTU-1	CARRIER	50HJ008 (7.5T)	GENERAL SALES & PHOTO	3000	92.9/67.2	7.8/208V/3PH.	475	(2) 1.4 EA	3.0 7.5	(2) 12.4	208V/3PH.	11.0	38.2	45	950
RTU-2	CARRIER	50HJ008 (7.5T)	SALES (FRONT)	3000	92.9/67.2	7.8/208V/3PH.	475	(2) 1.4 EA	3.0 7.5	(2) 12.4	208V/3PH.	11.0	38.2	45	950
RTU-3	CARRIER	50HJ008 (7.5T)	SALES (REAR)	3000	92.9/67.2	7.8/208V/3PH.	475	(2) 1.4 EA	3.0 7.5	(2) 12.4	208V/3PH.	11.0	38.2	45	950
RTU-4	CARRIER	50HJ008 (7.5T)	SALES /TLT.	3000	92.9/67.2	7.8/208V/3PH.	475	(2) 1.4 EA	3.0 7.5	(2) 12.4	208V/3PH.	11.0	38.2	45	950
RTU-5	CARRIER	50HJ006 (5T)	PHARMACY	1800	62.5/43.8	7.9/208V/3PH.	250	(1) 1.4 EA	2.0 5.8	(1) 17.3	208V/3PH.	11.0	34.6	35	600
RTU-6	CARRIER	50HJ005 (4.0T)	RECEIVING	1450	48.4/33.6	6.5/208V/3PH.	175	(1) 0.7 EA	1.5 4.9	(1) 13.5	208V/3PH.	11.0	28.8	30	600

BILL OF MATERIAL

THE FOLLOWING CONTROLS TO BE FURNISHED BY TEMPERATURE CONTROL CONTRACTOR

NO.	QUANTITY	MAKE	REMARKS
T1	1 (PER UNIT)	HONEYWELL T7075B1006	-20°F TO 80°F SCALE 1 DEGREE DIFFERENCE (USE AS COMPRESSOR LOCKOUT SET AT 50°F).
T2	1 (PER UNIT)	HONEYWELL T7300A1005 MODEL Q7300A1018	NOTE: FOR PHARMACY UNIT USE T7300/Q7300B1008 (SWITCHING BASE)
	1 (PER UNIT)	HONEYWELL T7047C1025	REMOTE SENSOR (NOTE: EXCEPT PHARMACY UNIT)

REMOTE SENSOR NOTE:
REMOTE SENSOR (T7047C1025) IS TO BE MOUNTED ON COLUMN (OR WALL), 6'-0" A.F.F. WITH THE SUBBASE (T707300) LOCATED IN OFFICE. CONNECT REMOTE SENSOR TO T-T TERMINALS OF SUBBASE VIA TWO (2) #16 AWG SHIELDED, TWISTED PAIR WIRES, BELDEN 8761. SEE CONTROL WIRING DIAGRAM.
(NOTE: NOT TO INCLUDE PHARMACY UNIT)

NOTE: BRONZE-GLO COILS WITHIN 25 MILES OF OCEAN; ALUM. FINS & COPPER TUBING CONDENSER COILS. REFER TO DEC. 97 CRITERIA 15500 2.01

AIR DISTRIBUTION SCHEDULE

FACE	MANUFACTURER & MODEL NO.	FACE SIZE	NECK SIZE	DUCT SIZE	MATERIAL	FRAME	FINISH	DAMPER	THROW	NOTES
A	TITUS TDCA-AA	24X6	24x6	8"	ALU.	5	6	9	SEE PLAN	1,2,3,4,7,8
B	TITUS TDCA-AA	12X12	12x12	8"	ALU.	5	6	9	SEE PLAN	1,2,3,4,7,8
C	TITUS TDCA-AA	24X24	12x12	10"	ALU.	5	6	9	SEE PLAN	1,2,3,4,7,8
D	TITUS TDCA-AA	24X24	15x15	12"	ALU.	5	6	9	SEE PLAN	1,2,3,4,7,8
E	TITUS TDCA-AA	24X24	15x15	14"	ALU.	5	6	9	SEE PLAN	1,2,3,4,7,8
F	TITUS 50F	24X24	22X22	16"	ALU.	5	6	---	---	2,7,8

GENERAL NOTES:
1. USE SPIN IN COLLAR WITH VOLUME DAMPER AT TRUNK TO FLEX DUCT CONNECTION.
2. USE MITERED CORNERS.
3. ADJUST LENGTHS TO LINE UP WITH INTERIOR DESIGNER'S PLANS.
4. PROVIDE 2-WAY, 3-WAY OR 4-WAY DIFFUSION AS SHOWN ON PLAN VIEW.
5. REFER TO ARCHITECT PLANS FOR CEILING TYPE.
6. OFF WHITE (SUBJECT TO ARCHITECT APPROVAL).
7. FLEX DUCT SIZE TO BE SAME AS DIFFUSER NECK SIZE.
8. CONTRACTOR TO PROVIDE SQUARE TO ROUND ADAPTORS
9. PROVIDE OPPOSED BLADE DAMPERS

AIR BALANCE SCHEDULE

#9105B+122995

UNIT TAG	AREA(S) SERVED	TOTAL CFM OUTDOOR AIR	TOTAL CFM EXHAUST AIR	TOTAL CFM SUPPLY AIR	TOTAL CFM RETURN AIR
RTU-1	SALES/PHOTO	475	1050	3000	2525
RTU-2	SALES (FRONT)	475	---	3000	2525
RTU-3	SALES (REAR)	475	---	3000	2525
RTU-4	SALES / TLT.	475	900	3000	2525
RTU-5	PHARMACY	250	---	1800	1550
RTU-6	RECEIVING	175	---	1450	1275
BUILDING TOTALS		2325	1950	15250	12925
BLDG. PRESS. = +375					

PROJECT TYPE

DRAWINGS / SPECIFICATIONS BY:
 WALGREENS CONSULTANT
 LANDLORD'S CONSULTANT

ALL CONSTRUCTION WORK, UNLESS NOTED OTHERWISE, BY:
 WALGREENS CONTRACTOR
 LANDLORD'S CONTRACTOR (TURNKEY CONSTRUCTION)

STORE BUILDING

NEW
 REMODELING...
 RELOCATION...
 OTHER.....

NEW
 EXISTING.....
 NEW SHELL ONLY

R.A. KAMM & ASSOC. JOB #97590

R.A. KAMM & ASSOCIATES, INC. SEAL

CONSULTING ENGINEERS

947 CLINT MOORE ROAD
 BOCA RATON, FL 33487 DATE: _____
 (561) 996-8636
 ROBERT A. KAMM - MECHANICAL
 FLORIDA LICENSE #44004

NO.	DATE	BY	OWNERS COMMENTS	DESCRIPTION	CONST.
11/10/97	RG		OWNERS COMMENTS		

REVISIONS

CERTIFICATION AND SEAL

I HEREBY CERTIFY THAT THIS PLAN AND SPECIFICATION WAS PREPARED BY ME OR UNDER MY DIRECT SUPERVISION AND THAT I AM A DULY REGISTERED ARCHITECT OR ENGINEER UNDER THE LAWS OF THE STATE OF FLORIDA AS SIGNIFIED BY MY HAND AND SEAL.

MARC WEINER, AIA
 ARCHITECTURE/PLANNING

33 BE 4TH STREET, SUITE 101
 BOCA RATON, FLORIDA 33432
 561-753-4111
 2/14/2008

PROJECT NAME
WALGREENS
 ROSELAND AND FELLSMERE
 ROADS
 SEBASTIAN, FLORIDA

DRAWING TITLE
 HVAC CONTROL WIRING DIAGRAMS

DATE: 09/22/97 STORE NO. 12-069 DRAWING NO.
 DRAWN BY: RQ BC/LE: AS NOTED
 REVIEWED BY: RAK RELEASED TO CONSTRUCTION DATE: 12/22/98 OF DWGS.

M2.2