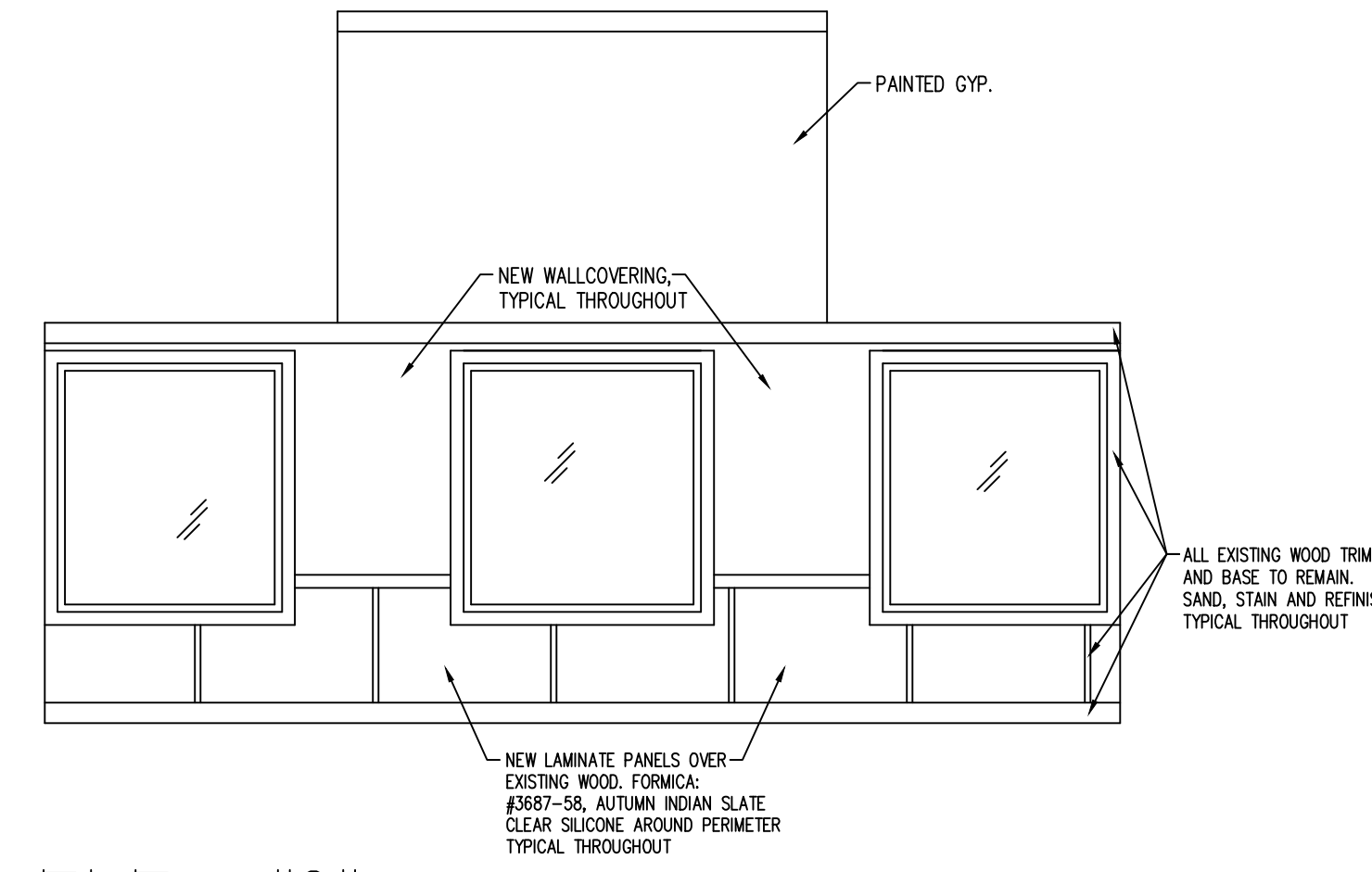
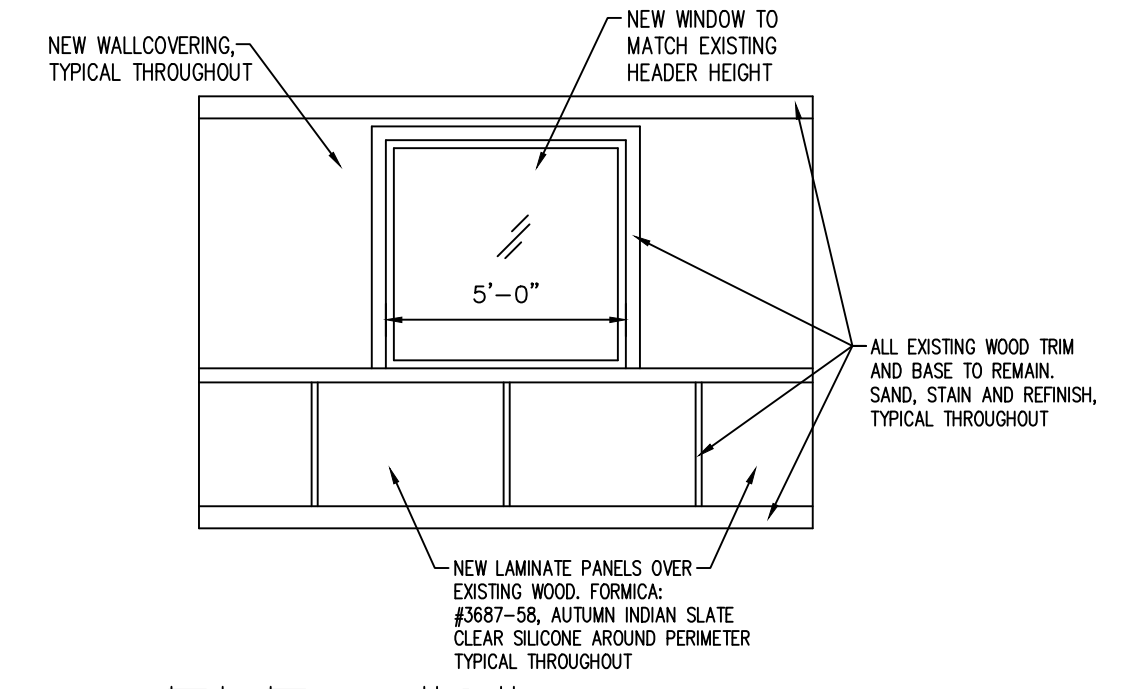


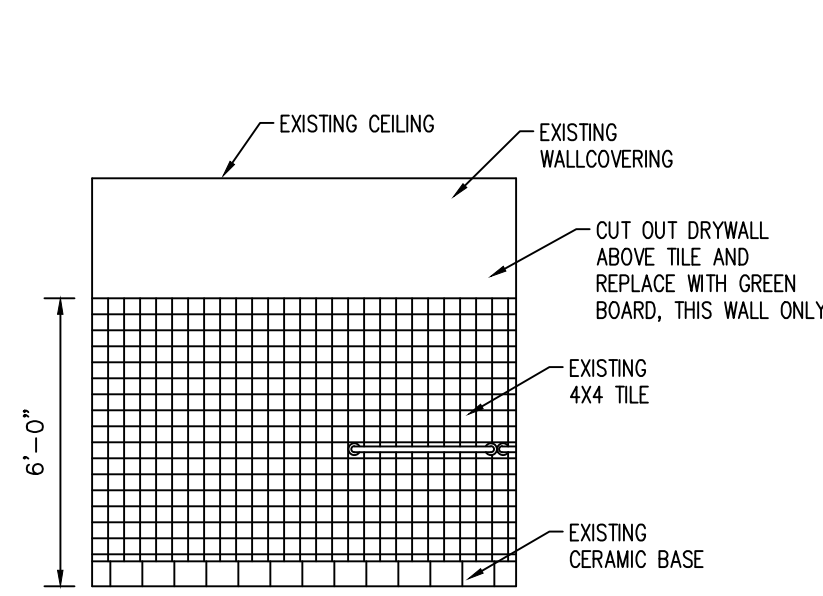
ELEV. "1":
SCALE: 1/4" = 1'-0"



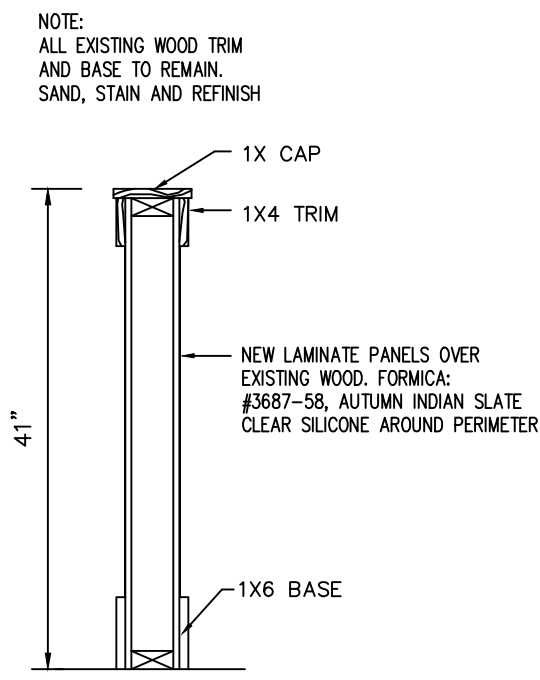
ELEV. "2":
SCALE: 1/4" = 1'-0"



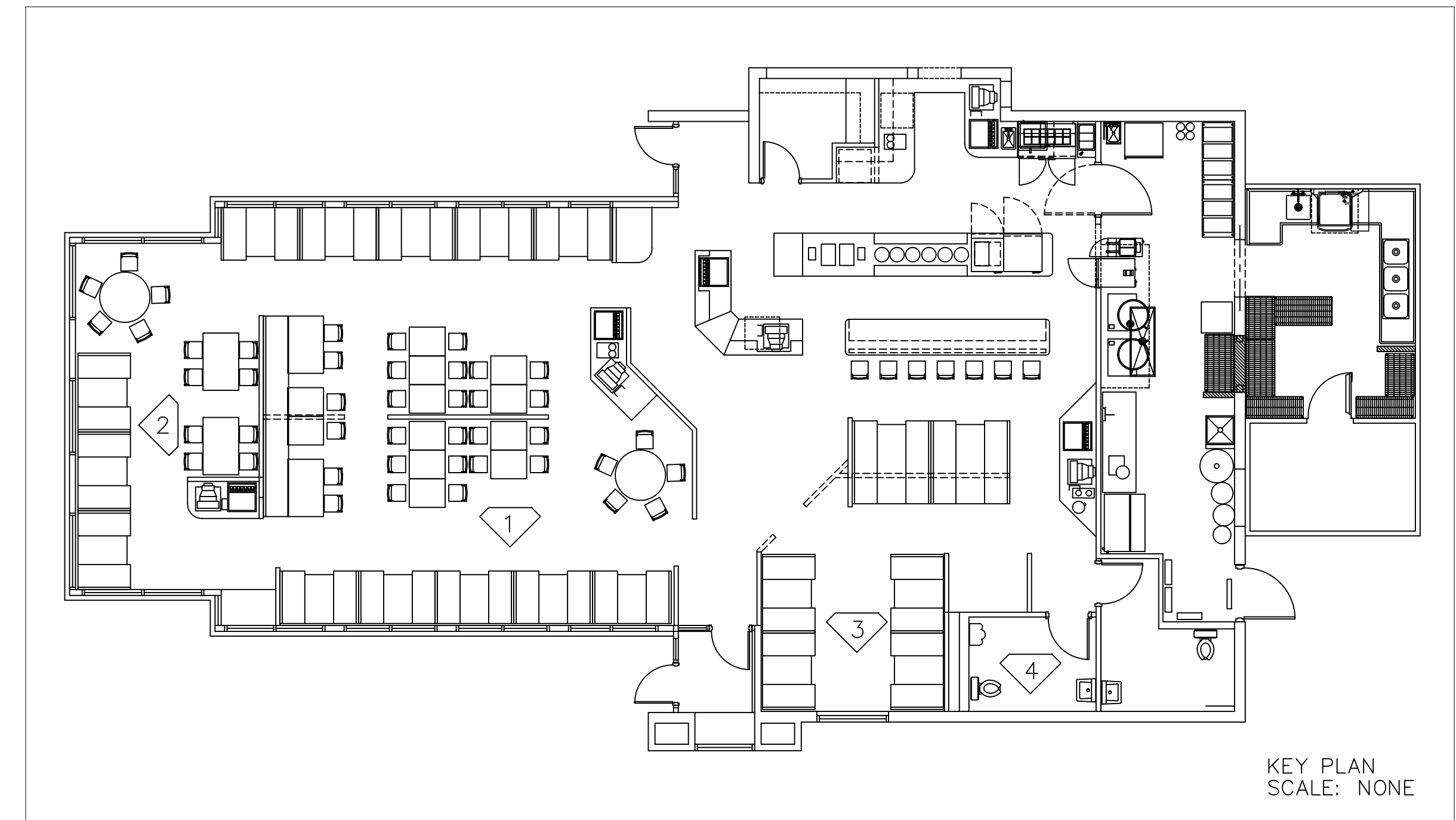
ELEV. "3":
SCALE: 1/4" = 1'-0"



ELEV. "4":
SCALE: 1/4" = 1'-0"



HALF WALL SECTION
SCALE: 3/4" = 1'-0"



KEY PLAN
SCALE: NONE

ARCHITECTS ■ PLANNERS ■ INTERIORS
D.R. Brooks Architect, LLC
 100 State St. 10th Fl.
 Cincinnati, Ohio 45202
 PH: 513-524-2222 FAX: 513-524-2221
 REGISTRATION: OHIO #2899
 REGISTRY: OHIO #0000000000
 REGISTRY: ARIZONA #0000000000
 REGISTRY: CALIFORNIA #0000000000
 REGISTRY: FLORIDA #0000000000
 REGISTRY: ILLINOIS #0000000000
 REGISTRY: INDIANA #0000000000
 REGISTRY: KENTUCKY #0000000000
 REGISTRY: MICHIGAN #0000000000
 REGISTRY: MINNESOTA #0000000000
 REGISTRY: MISSOURI #0000000000
 REGISTRY: NEVADA #0000000000
 REGISTRY: NEW YORK #0000000000
 REGISTRY: NORTH CAROLINA #0000000000
 REGISTRY: PENNSYLVANIA #0000000000
 REGISTRY: TEXAS #0000000000
 REGISTRY: VIRGINIA #0000000000
 REGISTRY: WISCONSIN #0000000000
 REGISTRY: WYOMING #0000000000

Design Lines
 Interior Planners
 & Kitchen Design
 100 State St. 10th Fl.
 Cincinnati, OH 45202
 Phone: 513.314.3428

RENOVATION FOR:
SKYLINE CHILI
 CRESCENT SPRINGS, KY 41017
 550 BUTTERMILK PIKE
INTERIOR ELEVATIONS AND DETAILS

©D.R. BROOKS ARCH., LLC. 2010
 STATE OF KENTUCKY
 DANIEL BROOKS
 2747
 REGISTERED ARCHITECT
 All Rights Reserved
 DANIEL BROOKS, LIC #2747
 EXPIRATION DATE: JUNE 30 2016

SHEET NO.
I-1
 AUG. 14, 2015
 15-010 15-010 I-1

THIS DOCUMENT IS THE PRODUCT AND PROPERTY OF D. R. BROOKS ARCHITECT, LLC. NEITHER THE DOCUMENT NOR THE INFORMATION IT CONTAINS MAY BE COPIED OR USED FOR PURPOSES OTHER THAN THE SPECIFIC PROJECT FOR WHICH IT WAS PREPARED WITHOUT THE WRITTEN CONSENT OF D.R. BROOKS ARCHITECT