

DIVISION 15 SPECIFICATIONS

PART I - GENERAL

1.01 SCOPE

- A. IT IS THE RESPONSIBILITY OF CONTRACTOR TO READ ALL SPECIFICATIONS AND CONSULT ALL DRAWINGS WHICH MAY AFFECT THE INSTALLATION AND COORDINATION OF WORK WITH OTHER TRADES. CONTRACTOR SHALL COORDINATE AND MAKE MINOR ADJUSTMENTS IN LOCATION OF EQUIPMENT AND MATERIALS AS NECESSARY FOR COORDINATION.
- B. COMPLETED INSTALLATION SHALL CONFORM TO ALL APPLICABLE FEDERAL, STATE AND LOCAL CODES AND ORDINANCES.
- C. SYSTEM LAYOUT IS SCHEMATIC AND EXACT LOCATIONS SHALL BE DETERMINED BY STRUCTURAL CONDITIONS, COORDINATION WITH OTHER TRADES, COORDINATION WITH FINISHES AND OTHER CONDITIONS. STRUCTURAL SUPPORTS SHALL NOT BE CUT OR ALTERED TO ASSURE FIT OF HVAC SYSTEM. TEN FOOT CLEARANCE SHALL BE MAINTAINED BETWEEN OUTSIDE AIR INTAKES AND EXHAUST FANS AND PLUMBING VENT TERMINALS.
- D. CONTRACTOR SHALL BE RESPONSIBLE FOR ALL DEFECTS, REPAIRS AND REPLACEMENTS IN MATERIALS AND WORKMANSHIP FOR A PERIOD OF ONE (1) YEAR AFTER FINAL PAYMENT IS APPROVED. CONTRACTOR SHALL HONOR FACTORY WARRANTIES ON ALL EQUIPMENT PROVIDED AS PART OF THIS SYSTEM.
- E. UPON COMPLETION OF PROJECT, ALL SYSTEM EQUIPMENT AND MATERIALS SHALL BE IN NEW, CLEAN CONDITION WITH ALL DAMAGE RESTORED TO CONDITION ACCEPTABLE TO THE OWNERS REPRESENTATIVE. ALL EQUIPMENT, COMPONENTS, DUCTWORK AND AIR DEVICES SHALL BE INSPECTED AND THOROUGHLY CLEANED, CLEARED OF DEBRIS, AND READY FOR USE. AT COMPLETION OF JOB, ALL MISCELLANEOUS TOOLS, SCAFFOLDING, SURPLUS MATERIALS, RUBBISH AND DEBRIS SHALL BE REMOVED BY CONTRACTOR.
- F. CONTRACTOR SHALL PROVIDE TWO SETS OF 2" MERV 8 OR HIGHER THROW AWAY TYPE FILTERS. A CLEAN SET SHALL BE PROVIDED PRIOR TO TEST AND BALANCE AND AGAIN PRIOR TO OPENING.

PART II - PRODUCTS

2.01 HEATING AND COOLING EQUIPMENT

- A. FURNISH AND INSTALL R-410A ROOFTOP SINGLE PACK COMBINATION ELECTRIC COOLING AND NATURAL GAS FIRED HEATING UNITS AS SHOWN ON DRAWINGS. EQUIPMENT SHALL BE ARI CERTIFIED AND A.G.A. AND U.L. LISTED.
- B. ACCESSORIES SHALL INCLUDE LOW AND HIGH PRESSURE SAFETIES, CRANK CASE HEATER, OVERCURRENT AND OVERTEMPERATURE SAFETY, COMPRESSOR VIBRATION ISOLATORS, FILTER DRIERS, REFRIGERANT SERVICE VALVES, COIL HAIL GUARDS WHERE SCHEDULED, CONVENIENCE OUTLETS FACTORY INSTALLED ON SCHEDULED UNITS, UNIT MOUNTED NON-FUSED DISCONNECTS, LOW AMBIENT OPERATION DOWN TO 30 DEGREES F AND EVAPORATOR FREEZE STAT.
- C. COMPRESSORS SHALL BE HERMETIC SCROLL TYPE WITH INTERNAL VIBRATION ISOLATORS. COMPRESSORS SHALL BE PROVIDED WITH A MINIMUM FIVE (5) YEAR FULL WARRANTY.
- D. THE UNIT HEAT EXCHANGERS SHALL BE ALUMINIZED STEEL COATING. HEATING CONTROLS SHALL CONSIST OF REDUNDANT GAS VALVES, INTERMITTENT PILOT WITH ELECTRONIC SPARK OR HOT PLATE IGNITION SYSTEM, COMBUSTION/EXHAUST FAN PROTECTED BY CENTRIFUGAL SWITCHES, HEAT LIMIT SWITCHES, TIME-DELAY RELAY, FLAME, AND PILOT SENSORS. HEAT EXCHANGERS SHALL HAVE A TEN (10) YEAR WARRANTY. BURNERS SHALL BE IN-SHOT TYPE. THE DRAFT MOTOR SHALL BE MONITORED BY THE CONTROL SYSTEM.

2.02 DUCTWORK (C15735)

- A. ACCEPTABLE MANUFACTURERS OF INSULATION SHALL BE: JOHNS MANVILLE, OWENS CORNING OR KNAUF.
- B. ALL DUCTWORK SHALL BE SHEET METAL, UNLESS NOTED OTHERWISE (U.N.O.).
- C. DUCT DIMENSIONS SHOWN ARE INSIDE CLEAR DIMENSIONS, U.N.O.
- D. CONSTRUCTION OF DUCTWORK SHALL MEET SMACNA 1" W.C. PRESSURE CLASS STANDARD AND RECOMMENDATIONS. SMACNA SHALL BE FOLLOWED WITH RESPECT TO GAGE THICKNESS, JOINTS, REINFORCING, CONSTRUCTION, INSTALLATION AND SUPPORT FOR PRESSURE CLASS STATED. ALL TRANSVERSE JOINTS IN RECTANGULAR AND ROUND DUCT INCLUDING DUCT CONNECTION TO AIR DEVICE COLLAR SHALL BE SEALED PER SMACNA SEAL CLASS C WITH U.L. DUCT MASTIC SEALANT APPROVED FOR INTENDED USE. DUCT TAPE IS NOT AN ACCEPTABLE SUBSTITUTE FOR MASTIC UNLESS EQUAL TO HARDCAST FOIL-GRIP 1402 BUTYL RUBBER ADHESIVE TAPE.
- E. DUCT SHALL BE SUPPORTED AT BASE OF DUCT DROPS. CURB DUCT RAILS ARE NOT INTENDED TO AND SHALL NOT SUPPORT THE WEIGHT OF THE DUCT.
- F. ALL DUCT WRAP SHALL BE MINIMUM 2" THICK, 3/4 PCF AND 6 R-VALUE INSTALLED WITH EITHER A VAPOR BARRIER WITH MAXIMUM PERMEANCE 0.05 OR A MINIMUM 2 MIL ALUMINUM REINFORCED FOIL/KRAFT FACING.
- G. ALL DUCT DROPS FROM THE ROOFTOP UNITS SHALL BE EXTERNALLY INSULATED.
- H. SUPPLY AND RETURN AIR DUCTWORK SERVING ALL AREAS SHALL BE EXTERNALLY INSULATED.
- I. ALL AIR CONVEYANCE COMPONENTS SUCH AS, BUT NOT LIMITED TO DUCT, DUCT PLENUMS, GRILLES/DIFFUSERS, BACK PANS, AND BOOTS SHALL BE INSULATED. INSULATION TYPE IS COVERED ELSEWHERE IN THIS SPECIFICATION.
- J. RESTROOM RECTANGULAR EXHAUST AIR DUCTWORK SHALL BE LINED WITH 1" THICK, 1-1/2 PCF INSULATION. RESTROOM ROUND EXHAUST DUCT SHALL BE EXTERNALLY INSULATED PER SECTION 2.02F.
- K. DUCT DROPS SHALL BE ISOLATED FROM UNIT VIBRATION WITH THE USE OF NFPA AND U.L. APPROVED FLEXIBLE CONNECTORS INSTALLED AT THE TOP OF BOTH SUPPLY AND RETURN DROPS.
- L. INSULATED FLEXIBLE DUCT MAY BE UTILIZED FOR RUNOUTS TO GRILLES AND DIFFUSERS ONLY IN THE HORIZONTAL POSITION AND IN MAXIMUM LENGTHS OF 4'-0", NO EXCEPTIONS.
- M. CONSTRUCTION OF FLEXIBLE DUCTWORK SHALL INCLUDE SPIRAL METAL HELIX BONDED TO A POLYESTER CORE, FIBERGLASS INSULATION WITH POLYETHYLENE OR MYLAR VAPOR BARRIER. ALL COMPONENTS SHALL HAVE APPROPRIATE U.L. APPROVAL AND SHALL BE EQUIVALENT TO THERMAFLEX MKE. FLEX DUCT SHALL HAVE A MINIMUM R-VALUE OF 6.
- N. FLEXIBLE DUCT SHALL BE INSTALLED PER THE "ADC FLEXIBLE DUCT PERFORMANCE AND INSTALLATION STANDARDS, 4TH ED" USING FOIL TAPE AND DRAWBAND ON THE INNER CORE AND TAPE OR DRAWBAND ON THE OUTER JACKET.
- O. DUCT TAPE SHALL BE EQUAL TO FASSON 181-B FX, 2-1/2" WIDE.
- P. SINGLE THICKNESS TURNING VANES SHALL BE INSTALLED IN SUPPLY DUCT AT ALL 90 DEGREE ELBOWS WHERE THE CENTERLINE RADIUS (R) IS LESS THAN THE WIDTH OF THE DUCT AND ANY ONE DIMENSION IS GREATER THAN 12".
- Q. EXTERNAL INSULATION ON BOTTOM OF DUCTS 24" OR WIDER SHALL BE SUPPORTED WITH STICK PINS ON 18" CENTERS. STICK PIN WASHERS SHALL BE COVERED WITH DUCT TAPE OR MASTIC.

2.03 CONTROLS

- A. SYSTEMS SHALL BE COMPLETE WITH CONNECTIONS TO CFA-500 TEMPERATURE CONTROL PANEL AS MANUFACTURED BY SUNCOAST ENVIRONMENTAL CONTROLS (S.E.C.) (PH: 877-544-6679). THE PANEL IS PROVIDED AND MOUNTED BY THE ELECTRICAL CONTRACTOR. CONTROL WIRING TERMINATIONS ARE BY THE MECHANICAL CONTRACTOR WHERE PERMITTED BY AHJ.
- B. THE SMOKE DETECTORS SHALL BE FACTORY INSTALLED AND WIRED BY THE ROOFTOP UNIT MANUFACTURER.
- C. A FACTORY INSTALLED SMOKE DETECTOR IN THE RETURN AIR SECTION OF EACH AIR CONDITIONING UNIT SHALL STOP THE INDOOR FAN AND CLOSE THE OUTSIDE AIR DAMPER IN THE EVENT OF EXCESSIVE TEMPERATURE OR SMOKE. SMOKE DETECTOR SHALL BE LOCATED PRIOR TO ANY EXHAUST FROM THE BUILDING OR MIXING WITH FRESH AIR MAKE-UP. UPON DETECTION, THE SYSTEM SHALL NOT RESTART UNTIL THE DEVICE IS MANUALLY RESET. DEVICES SHALL BE LOCATED WHERE THEY CAN BE EASILY ACCESSED AND WHERE CLEAR OF FILTERS.
- D. CHICK-FIL-A HAS A NATIONAL ACCOUNT WITH SUNCOAST ENVIRONMENTAL CONTROLS FOR THE SMOKE DETECTOR TEST/RESET ANNUNCIATOR STATIONS. THE TEST/RESET STATIONS WILL BE PURCHASED BY THE ELECTRICAL CONTRACTOR AS A PART OF A NATIONAL ACCOUNT PACKAGE AND TURNED OVER TO THE MECHANICAL CONTRACTOR FOR INSTALLATION.
- E. THE REMOTE TEST/RESET ANNUNCIATORS SHALL BE PROVIDED BY THE ELECTRICAL CONTRACTOR AND INSTALLED BY THE MECHANICAL CONTRACTOR. INSTALLATION BY MECHANICAL SHALL INCLUDE MOUNTING OF THE ANNUNCIATORS AND ALL WIRING FROM EACH DEVICE TO THE RTU. ELECTRICAL WILL PROVIDE A JUNCTION BOX IN THE WALL WITH 1/2" CONDUIT STUBBED UP ABOVE THE CEILING FOR EACH REMOTE TEST STATION AS SHOWN ON THE ELECTRICAL PLANS. ANNUNCIATOR SHALL BE SUNCOAST CONTROLS REMOTE TEST/RESET STATION WITH POWER LED, TROUBLE LED, ALARM LED, 90DB HORN AND TEST/RESET BUTTON.
- F. THE RESTROOM FAN SHALL BE INTERLOCKED TO THE LIGHTS SERVING THE MEN AND WOMEN'S RESTROOMS. THE HOOD FANS SHALL BE CONTROLLED VIA THE SUNCOAST CFA-500 CONTROL PANEL. WIRING, RELAYS AND SWITCHES FOR CONTROL OF ALL FANS ARE BY ELECTRICAL CONTRACTOR.
- G. THERMOSTATS ARE PROVIDED AND INTEGRATED INTO THE TEMPERATURE CONTROL PANEL BY SUNCOAST ENVIRONMENTAL CONTROLS. SUNCOAST WILL PROVIDE A NETWORK THERMOSTAT US32-CFA THERMOSTAT PRE-WIRED IN THE TEMPERATURE CONTROL PANEL. REMOTE TEMPERATURE SENSOR(S) FOR EACH THERMOSTAT IS ALSO PROVIDED. MECHANICAL CONTRACTOR SHALL INSTALL ALL WIRING BETWEEN THE THERMOSTAT, THE REMOTE SENSOR(S) AND THE ROOFTOP UNIT.
- H. MECHANICAL CONTRACTOR SHALL INSTALL CONTROL WIRING IN 1/2" CONDUIT WHERE REQUIRED BY CODE. WHERE NOT REQUIRED TO BE IN CONDUIT, ALL WIRING SHALL BE RUN PARALLEL TO STRUCTURAL MEMBERS OR PERPENDICULAR WITH NO DIAGONAL ROUTING. ALL WIRING SHALL BE SECURED TO THE FRAMING TO PREVENT SAGGING IN RUNS. WIRING TO ROOFTOP UNITS SHALL BE ROUTED THROUGH THE FACTORY THRU-BASE FITTING IN THE UNIT BASE. NO SPLICING OF WIRING WILL BE ACCEPTED. ALL WIRING ABOVE THE ROOF SHALL BE INSTALLED IN EXTERIOR GRADE FLEXIBLE CONDUIT. ALL CONTROL WIRING AND CONTROL WIRING CONDUIT SHALL BE FURNISHED AND INSTALLED BY THE MECHANICAL CONTRACTOR. WIRING SHALL BE INSTALLED IN ACCORDANCE WITH LATEST EDITION OF NEC. ALL LOW VOLTAGE CONTROL WIRING SHALL BE NO LESS THAN 18 AWG MIN. CONTROL WIRING CONDUCTORS SHALL BE SIZED TO ACCOUNT FOR LOAD AND LENGTH OF RUN TO ALLOW SUFFICIENT VOLTAGE AVAILABLE AT CONTROLLED DEVICE TO OPERATE THE SYSTEM RELIABLY.

2.04 PIPING

- A. ALL ABOVE GRADE NATURAL GAS PIPING SHALL BE SCHEDULE 40 STEEL MEETING ASTM A53 WITH SCREWED OR WELDED FITTINGS AND GASKET TYPE UNIONS AND FLANGES. FOR SCREWED PIPING, PIPING SHALL BE JOINED WITH BLACK 150 POUND MALLEABLE IRON SCREWED FITTINGS AS ALLOWED BY LOCAL AUTHORITY. CONTRACTOR SHALL VERIFY THE NEED FOR WELDED PIPING AS REQUIRED BY THE LOCAL GAS CODE AND/OR APPLICABLE LOCAL ORDINANCES AND AMENDMENTS.
- B. ALL BELOW GRADE NATURAL GAS PIPING SHALL BE MEDIUM DENSITY POLYETHYLENE (PE) MEETING ASTM D2513 AS MANUFACTURED BY GASTITE WITH JOINING SYSTEM AS MANUFACTURED BY CON-STAB. TRANSITIONS FROM ABOVE GRADE RIGID PIPING TO PE BELOW GRADE PIPING SHALL BE MADE WITH ANODE-LESS RISER ASSEMBLY AS MANUFACTURED BY CON-STAB.

- C. PROVIDE AND INSTALL A CUT-OFF VALVE, UNION AND FULL SIZE DIRT LEG AT CONNECTION TO EACH GAS-FIRED PIECE OF EQUIPMENT. INSTALL PIPING AT AND AROUND EQUIPMENT SO AS TO NO WAY OBSTRUCT EQUIPMENT ACCESS PANELS AND/OR ACCESS DOORS.
- D. ALL GAS PIPING ABOVE ROOF SHALL BE CLEANED FREE OF RUST AND PAINTED WITH COAT OF ZINC RUST PRIMER AND ONE COAT OF ALUMINUM BASE PAINT. METER AND GAS RISER SHALL BE PRIMED AND PAINTED TO MATCH BUILDING.

- E. NATURAL GAS PIPING SHALL BE LEAK TESTED IN ACCORDANCE WITH APPLICABLE CODE REQUIREMENTS AND MANUFACTURERS RECOMMENDATIONS.

PART III - EXECUTION

3.01 SCOPE

- A. FURNISH AND INSTALL SYSTEM IN ACCORDANCE WITH REFERENCED STANDARDS, APPLICABLE CODES, MANUFACTURER'S RECOMMENDATIONS AND AS INDICATED ON DRAWINGS.
- B. CONTRACTOR SHALL INSTRUCT THE OWNER'S REPRESENTATIVE IN ALL MATTERS PERTAINING TO THE PROPER MAINTENANCE OF EQUIPMENT FURNISHED UNDER THIS CONTRACT THROUGH DEMONSTRATION AND EXPLANATION OF OPERATING & MAINTENANCE MANUALS.
- C. CONTRACTOR SHALL PROVIDE A "SAMPLE MAINTENANCE PROPOSAL" TO THE OWNER'S REPRESENTATIVE IN ALL MATTERS PERTAINING TO THE PROPER MAINTENANCE OF EQUIPMENT FURNISHED UNDER THIS CONTRACT.
- D. CONTRACTOR SHALL COMPLETE A/C EQUIPMENT STARTUP DOCUMENTATION PROVIDED BY OWNER AND/OR MANUFACTURER. THIS SHALL INCLUDE RE-TORQUE OF ALL FIELD AND FACTORY HIGH VOLTAGE CONNECTIONS.

3.02 LEED PROJECTS

- A. CONTRACTOR SHALL COMPLETE RECEIPT INSPECTION CHECKLISTS PROVIDED IN THE COMMISSIONING PLAN WITHIN 5 DAYS OF RECEIVING EQUIPMENT ON SITE.
- B. CONTRACTOR SHALL COMPLETE PRE-FUNCTIONAL CHECKLISTS PROVIDED IN THE COMMISSIONING PLAN. CHECKLISTS SHALL BE RETURNED AT LEAST 5 DAYS PRIOR TO SCHEDULING FUNCTIONAL PERFORMANCE TESTING.
- C. CONTRACTOR SHALL PROVIDE A TECHNICIAN TO ASSIST THE THIRD PARTY COMMISSIONING AUTHORITY WITH FUNCTIONAL TESTING. FUNCTIONAL TESTING SHALL OCCUR AFTER ALL CONTROLS HAVE BEEN INSTALLED AND VERIFIED AND AFTER TEST AND BALANCE IS COMPLETE. THE FUNCTIONAL PERFORMANCE TEST PROCEDURES CAN BE FOUND IN THE COMMISSIONING PLAN.
- D. IF THE TOTAL TIME REQUIRED TO CORRECT PROBLEMS DURING TESTING IS GREATER THAN FORTY-FIVE (45) MINUTES (UNLESS EXTENUATING CIRCUMSTANCES EXIST), THE TEST SHALL BE CONSIDERED FAILED AND MUST BE REPEATED IN ITS ENTIRETY.
- E. RE-TESTING: DURING THE COURSE OF THE RETEST, IF AT ANY POINT A MAJOR DEFICIENCY IS DISCOVERED, THE TEST WILL BE STOPPED. REPEAT TESTS UNTIL ACCEPTABLE RESULTS ARE ACHIEVED. IF MORE THAN TWO FUNCTIONAL PERFORMANCE TESTS (ONE INITIAL TEST AND ONE RETEST) FOR ANY TYPE OF EQUIPMENT DUE TO ISSUES THAT THE CONTRACTOR HAD DIRECT OR INDIRECT CONTROL OVER ARE REQUIRED, THE COSTS FOR THE CXA TO WITNESS RETESTING OF SIMILAR TYPES OF EQUIPMENT UNTIL SATISFACTORY RESULTS ARE OBTAINED SHALL BE THE RESPONSIBILITY OF THE CONTRACTOR.

3.03 TEST & BALANCE

- A. OWNER SHALL TEST AND BALANCE MECHANICAL SYSTEM IN ACCORDANCE WITH NEBB, NBC OR AABC STANDARDS TO ASSURE CONFORMANCE WITH DESIGN. G.C. WILL MAKE MECHANICAL CONTRACTOR AVAILABLE DURING TEST AND BALANCE TO ASSIST TESTING AGENCY AND TO MAKE CORRECTIONS IMMEDIATELY NECESSARY. CONTRACTOR SHALL CORRECT ITEMS ON WRITTEN TEST AND BALANCE REPORT.
- B. ALL EQUIPMENT TO BE BALANCED MUST HAVE GONE THRU SUCCESSFUL START-UP PROCEDURE BY THE MECHANICAL CONTRACTOR (MC) PRIOR TO TAB VISIT.
- C. THE FLOOR OF THE RESTAURANT SHALL BE CLEARED OF DEBRIS, STAGED CONSTRUCTION MATERIALS, EQUIPMENT, ETC. WHICH MAY, IN THE OPINION OF THE TAB TECHNICIAN, OBSTRUCT ACCESS TO AIR DISTRIBUTION COMPONENTS IN AND ABOVE THE CEILING.
- D. EQUIPMENT ACCESS PANELS, DUCT AIR DEVICES SUCH AS BALANCING DAMPERS AND ACTUATORS SHALL BE ACCESSIBLE AND CLEAR OF PIPING, CONDUIT, FRAMING, SUPPORTS ETC..
- E. PROVIDE AN 8 FT PORTABLE A-FRAME STYLE LADDER DEDICATED FOR THE TAB TECHNICIAN'S USE DURING THE ENTIRE TAB EFFORT DURATION.

KITCHEN HOOD SYSTEMS NOTES

1. CHICK-FIL-A MAINTAINS A NATIONAL ACCOUNT WITH HALTON CO. FOR THE HOODS. CHICK-FIL-A WILL PURCHASE AND PROVIDE THE HOODS FOR INSTALLATION BY THE MECHANICAL CONTRACTOR. THE MECHANICAL CONTRACTOR SHALL BE RESPONSIBLE FOR RECEIVING THE HOODS. CONTACT HALTON CO. AT 270-237-5600 FOR MORE INFO.
2. THE FIRE SUPPRESSION SYSTEM SHALL CONSIST OF A COMPLETE WET CHEMICAL SYSTEM FURNISHED BY HALTON. THE HOOD SHALL BE FURNISHED PRE-PIPED BY HALTON.
3. THE FIRE SUPPRESSION SYSTEM EXTERNAL TO THE HOODS SHALL BE INSTALLED IN ACCORDANCE WITH HOOD MANUFACTURER'S SHOP DRAWINGS BY AN AUTHORIZED INSTALLER SELECTED AND HIRED BY HALTON. COST FOR INSTALLATION INCLUDED IN PRICE OF HOODS TO CFA.
4. HOOD EXHAUST DUCTWORK SHALL BE 16 GA. BLACK STEEL WITH CONTINUOUS LIQUID TIGHT WELD OF JOINTS & SEAMS.
5. TURNS IN GREASE EXHAUST DUCTWORK SHALL BE LONG RADIUS TYPE, WITH A CENTERLINE RADIUS R=3W/2, UNLESS OTHERWISE NOTED. NO MITERED FITTINGS ALLOWED.
6. ALL STAINLESS STEEL CLOSURE PANELS SHALL BE SUPPLIED BY HOOD MANUFACTURER AND INSTALLED BY THE MECHANICAL CONTRACTOR ACCORDING TO MANUFACTURER'S RECOMMENDATIONS.
7. SLOPE ALL GREASE EXHAUST DUCT BACK TO HOOD AT 1/4" PER FOOT OF RUN.
8. WRAP NEW GREASE DUCT WITH UNIFRAX FYREWREAP. INSULATION ON ACCESS DOORS SHALL BE INSTALLED ACCORDING TO MANUFACTURER'S INSTALLATION RECOMMENDATIONS. UNIFRAX FYREWREAP PRODUCT USED SHALL MEET LOCAL CODE REQUIREMENTS.
9. SUPPORT ALL HOODS WITH THREADED ROD AT EACH FACTORY SUPPORT POINT. EACH SUPPORT POINT MUST SUPPORT THE HOOD WEIGHT EQUALLY. ATTACH TO STRUCTURE AS DETAILED ON STRUCTURAL DRAWINGS. ATTACH HOOD TO WALL AT 16" INTERVALS ALONG FULL LENGTH OF HOOD ON TOP AND BOTTOM. ATTACHMENT TO WALL REQUIRES FIELD DRILLING OF SUPPORT ANGLE AT BACK OF HOODS. EACH WALL ATTACHMENT POINT MUST OCCUR AT A WALL STUD. ATTACHMENT HARDWARE TO BE #12-24 HEX HEAD SHEET METAL SCREW EQUAL TO TEXTRON SDS EDT265, LENGTH AS REQUIRED TO FULLY PENETRATE THE STUD.
10. MECHANICAL CONTRACTOR TO PROVIDE AND INSTALL SUNCOAST H.E.S. SYSTEM FOR ALL HOODS. SEE HOOD FAN/EQUIPMENT INTERLOCK WIRING DIAGRAM ON M-702 FOR MORE INFORMATION.

LEGEND

A-12-400	TYPE - NECK SIZE - CFM	[EF#1]	EXHAUST FAN #1 (TYP.)
[Symbol]	SPIN-IN FITTING WITH MANUAL BALANCING DAMPER, WITHOUT SCOOP	[AC#1]	AIR CONDITIONING UNIT #1 (TYP.)
[Symbol]	SPIN-IN HARD ϕ FLEXIBLE ϕ DIFFUSER	[Symbol]	RETURN/EXHAUST (TYP.)
[S]	REMOTE TEMPERATURE SENSOR	[Symbol]	SUPPLY DIFFUSER, SQ FACE (TYP.)
[H]	HUMIDITY SENSOR	[1]	PLAN NOTE REFERENCE
[SD]	SMOKE DETECTOR	[Symbol]	MANUAL VOLUME DAMPER
12x18	DUCT SIZE (reverse for elevation views) 1ST NUMBER - HORIZONTAL DIMENSION 2ND NUMBER - VERTICAL DIMENSION	[Symbol]	DIRECTION OF THROW ON DIFFUSER
[SW]	AIR DOOR SWITCH	[GIH]	CLOSED AIR PATTERN DEFLECTOR
EIH	ELECTRIC INFRARED HEATER	B/G	GAS INFRARED HEATER (TYP.)
		[T]	BELOW GRADE
			THERMOSTAT

ABBREVIATIONS

EC	ELECTRICAL CONTRACTOR
GC	GENERAL CONTRACTOR
MC	MECHANICAL CONTRACTOR
PC	PLUMBING CONTRACTOR
O.C.	ON CENTER
IRH	INFRARED HEATER
CF	CIRCULATING FAN
TF	TRANSFER FAN
EF	EXHAUST FAN

GENERAL NOTES

1. DUCT SIZES SERVING DIFFUSERS AND GRILLES ARE SAME SIZE AS DIFFUSER OR GRILLE NECK UNLESS NOTED OTHERWISE.
2. FLEXIBLE DUCT AND INSULATION NOT SHOWN FOR CLARITY.
3. FOR ALL ROOF EQUIPMENT, PROVIDE A PLASTIC ENGRAVED LABEL WITH 1" HIGH WHITE LETTERS ON A BLACK BACKGROUND. WITH A SELF ADHESIVE BACKING.
4. UNLESS NOTED OTHERWISE, MC TO ADJUST ALL DIFFUSER AIR PATTERN DEFLECTORS TO THROW HORIZONTALLY ALONG THE CEILING.
5. ALL EXHAUST DUCTWORK AND UNFINISHED METAL ON ROOF EXCEPT STAINLESS SHALL BE PREPARED WITH TWO COATS OF SHERWIN WILLIAMS PRO INDUSTRIAL DTM ACRYLIC COATING, SEMI-GLOSS, WHITE. DEGREASE AND PRIME BARE METAL SURFACE WITH ONE COAT OF SHERWIN WILLIAMS PRO INDUSTRIAL PRO-CRYLACRYLIC UNIVERSAL PRIMER, WHITE, PRIOR TO PAINTING.
6. MAINTAIN 18" CLEARANCE FROM GREASE EXHAUST DUCTWORK ABOVE ROOF TO ANY COMBUSTIBLE CONSTRUCTION INCLUDING PARAPET WALLS.



Chick-fil-A
5200 Buffington Road
Atlanta, Georgia
30349-2998

Kurzynske & Associates
2705 Lebanon Pike - Suite One
Nashville, Tennessee 37214
Telephone: (615) 255-5203



07/18/25

CHICK-FIL-A
Oldham Village FSU
1025 SW Jefferson St
Lee's Summit, MO 64081

FSR#05248

BUILDING TYPE / SIZE: P14 LSR BN
RELEASE: 23.09
PRINTED FOR

ISSUE FOR CONSTRUCTION

REVISION SCHEDULE

NO.	DATE	DESCRIPTION
1	07/18/25	ISSUE FOR CONSTRUCTION

CONSULTANT PROJECT # 24137.CD.S
DATE 07/18/2025
DRAWN BY BLM

Information contained on this drawing and in all digital files produced for above named project may not be reproduced in any manner without express written or verbal consent from authorized project representatives.

GENERAL NOTES, LEGENDS, SYMBOLS, AND ABBREVIATIONS

M-001

2021 IECC Commissioning Requirements for Mechanical

2021 IECC COMMISSIONING REQUIREMENTS

C408.1 MECHANICAL SYSTEMS SHALL BE DOCUMENTED IN ACCORDANCE WITH THE FOLLOWING SECTIONS.

- C408.1.1 PROVIDE AN OPERATION AND MAINTENANCE MANUAL WHICH INCLUDES THE FOLLOWING:
1. PROVIDE HVAC EQUIPMENT SUBMITTAL DATA.
 2. PROVIDE MANUFACTURER'S OPERATION AND MAINTENANCE MANUALS FOR HVAC EQUIPMENT. ROUTINE MAINTENANCE ACTIONS SHALL BE CLEARLY IDENTIFIED.
 3. PROVIDE THE NAME AND ADDRESS OF AT LEAST ONE HVAC SERVICE AGENCY.
 4. PROVIDE HVAC CONTROL SYSTEM MAINTENANCE AND CALIBRATION INFORMATION INCLUDING WIRING DIAGRAMS, SCHEMATICS, AND CONTROL SEQUENCES. TENANT DESIRED OR FIELD-DETERMINED SETPOINTS SHALL BE PERMANENTLY RECORDED ON CONTROL DRAWINGS AT CONTROL DEVICES OR IN SYSTEM PROGRAMMING INSTRUCTIONS.
 5. PROVIDE A NARRATIVE OF HOW EACH SYSTEM IS INTENDED TO OPERATE, INCLUDING RECOMMENDED SETPOINTS.

C408.2 COMMISSIONING OF MECHANICAL SYSTEMS SHALL BE PERFORMED IN ACCORDANCE WITH THE FOLLOWING SECTIONS.

- C408.2.1 A COMMISSIONING PLAN SHALL BE DEVELOPED IN ACCORDANCE WITH THIS SECTION AND SHALL INCLUDE THE FOLLOWING ITEMS:
1. A NARRATIVE DESCRIPTION OF THE ACTIVITIES TO BE PERFORMED.
 2. A LIST OF THE SYSTEMS AND EQUIPMENT REQUIRED TO BE COMMISSIONED.
 3. A LIST OF THE TEST FUNCTIONS TO BE PERFORMED ON THE CORRESPONDING EQUIPMENT.
 4. CONDITIONS UNDER WHICH THE TEST WILL BE PERFORMED.
 5. MEASURABLE CRITERIA FOR PERFORMANCE.

C408.2.2 MECHANICAL SYSTEMS SHALL UNDERGO TEST AND BALANCE AND SHALL BE IN ACCORDANCE WITH THE CONSTRUCTION SPECIFICATIONS AS WELL AS THE 2021 IECC. AIR AND WATER FLOW RATES SHALL BE MEASURED AND ADJUSTED TO DELIVER FINAL FLOW RATES WITHIN THE TOLERANCES PROVIDED IN THE CONSTRUCTION SPECIFICATIONS.

C408.2.2.1 CONDUCT AIR SYSTEMS TEST AND BALANCE IN ACCORDANCE WITH THE REQUIREMENTS OF THIS SECTION AND THE CONSTRUCTION SPECIFICATIONS.

C408.2.2.2 CONDUCT WATER SYSTEMS TEST AND BALANCE IN ACCORDANCE WITH THE REQUIREMENTS OF THIS SECTION AND THE CONSTRUCTION SPECIFICATIONS.

C408.2.3 PERFORM FUNCTIONAL PERFORMANCE TESTING IN ACCORDANCE WITH THE FOLLOWING SECTIONS.

C408.2.3.1 PERFORM FUNCTIONAL PERFORMANCE TESTING FOR HVAC EQUIPMENT IN ORDER TO DEMONSTRATE THE OPERATION OF COMPONENTS, SYSTEMS AND SYSTEM-TO-SYSTEM INTERACTION IN ACCORDANCE WITH THE CONSTRUCTION DOCUMENTS AND MANUFACTURER REQUIREMENTS. TESTING SHALL INCLUDE FULL-LOAD, PART-LOAD AND EMERGENCY OPERATING CONDITIONS AND SHALL COVER ALL OPERATING MODES LISTED IN THE SEQUENCE OF OPERATION AS DEFINED IN THE CONSTRUCTION DOCUMENTS.

C408.2.3.2 HVAC SYSTEMS SHALL BE TESTED IN ORDER TO DOCUMENT THAT CONTROL DEVICES, COMPONENTS, EQUIPMENT AND SYSTEMS ARE CALIBRATED AND ADJUSTED TO OPERATE IN ACCORDANCE WITH CONSTRUCTION DOCUMENTS AND SPECIFICATIONS. HVAC CONTROL SYSTEMS

SHALL BE TESTED FOR ALL OPERATING MODES LISTED IN THE SEQUENCE OF OPERATION AS DEFINED IN THE CONSTRUCTION DOCUMENTS.

C408.2.3.3 AIRSIDE ECONOMIZERS SHALL UNDERGO FUNCTIONAL PERFORMANCE TESTING IN ORDER TO ENSURE OPERATIONAL MODES ARE FUNCTIONING IN ACCORDANCE WITH MANUFACTURER RECOMMENDATIONS.

C408.2.4 COMPLETE A PRELIMINARY COMMISSIONING REPORT OUTLINING TEST PROCEDURES AND RESULTS IN ACCORDANCE WITH THIS SECTION. THE REPORT SHALL IDENTIFY:

1. ITEMIZATION OF DEFICIENCIES FOUND DURING TESTING REQUIRED BY THIS SECTION THAT HAVE NOT BEEN CORRECTED AT THE TIME OF REPORT PREPARATION.
2. DEFERRED TESTS THAT CANNOT BE PERFORMED AT THE TIME OF THE REPORT PREPARATION DUE TO CLIMATIC CONDITIONS.
3. CLIMATIC CONDITIONS REQUIRED FOR PERFORMANCE OF THE DEFERRED TESTS.
4. RESULTS OF FUNCTIONAL PERFORMANCE TESTS.
5. FUNCTIONAL PERFORMANCE TEST PROCEDURES USED DURING THE COMMISSIONING PROCESS, INCLUDING MEASURABLE CRITERIA FOR TEST ACCEPTANCE.

C408.2.4.1 THE OWNER SHALL RECEIVE A COPY OF THE PRELIMINARY COMMISSIONING REPORT BEFORE FINAL INSPECTION BY THE CODE OFFICIAL OCCURS.

C408.2.4.2 THE PRELIMINARY COMMISSIONING REPORT SHALL BE MADE AVAILABLE TO THE PROJECT CODE OFFICIAL UPON REQUEST.

C408.2.5 COMMISSIONING DOCUMENTATION OUTLINED IN SECTION C408 SHALL BE PROVIDED TO THE OWNER WITHIN 90 DAYS OF RECEIPT OF THE CERTIFICATE OF OCCUPANCY.

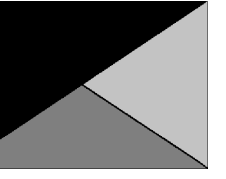
C408.2.5.1 PROVIDE AIR AND WATER SYSTEM TEST AND BALANCES REPORTS IN ACCORDANCE WITH SECTION C408.2.2.

C408.2.5.2 PROVIDE A FINAL COMMISSIONING REPORT TO THE OWNER INCLUDING THE FOLLOWING:

1. RESULTS OF FUNCTIONAL PERFORMANCE TESTS.
2. DISPOSITION OF DEFICIENCIES FOUND DURING TESTING, INCLUDING DETAILS OF CORRECTIVE MEASURES USED OR PROPOSED.
3. FUNCTIONAL PERFORMANCE TESTING PROCEDURES USED DURING THE COMMISSIONING PROCESS INCLUDING MEASURABLE CRITERIA FOR TEST ACCEPTANCE, PROVIDED FOR REPEATABILITY.
4. LIST OUT ANY DEFERRED TESTS STILL OUTSTANDING DUE TO CLIMATIC CONDITIONS.



Chick-fil-A
5200 Buffington Road
Atlanta, Georgia
30349-2998



Kurzynske & Associates
2705 Lebanon Pike - Suite One
Nashville, Tennessee 37214
Telephone: (615) 255-5203



07/18/25

CHICK-FIL-A
Oldham Village FSU

1025 SW Jefferson St
Lee's Summit, MO 64081

FSR#05248

BUILDING TYPE / SIZE: P14 LSR ALL
RELEASE: 23.09

PRINTED FOR
ISSUE FOR CONSTRUCTION

NO.	DATE	DESCRIPTION
1	07/18/25	ISSUE FOR CONSTRUCTION

ISSUE FOR CONSTRUCTION

CONSULTANT PROJECT # 24137.CD.S
DATE 07/18/2025
DRAWN BY BLM

Information contained on this drawing and in all digital files produced for above named project may not be reproduced in any manner without express written or verbal consent from authorized project representatives.

SHEET
COMMISSIONING REQUIREMENTS - MECHANICAL
SHEET NUMBER

M-002



Chick-fil-A
 5200 Buffington Road
 Atlanta, Georgia
 30349-2998

Kurzynske & Associates
 2705 Lebanon Pike - Suite One
 Nashville, Tennessee 37214
 Telephone: (615) 255-5203



07/18/25

CHICK-FIL-A
 Oldham Village FSU

1025 SW Jefferson St
 Lee's Summit, MO 64081

FSR#05248

BUILDING TYPE / SIZE: P14 LSR BN
 RELEASE: 23.09
 PRINTED FOR: ISSUE FOR CONSTRUCTION

REVISION SCHEDULE		
NO.	DATE	DESCRIPTION
1	07/18/25	ISSUE FOR CONSTRUCTION

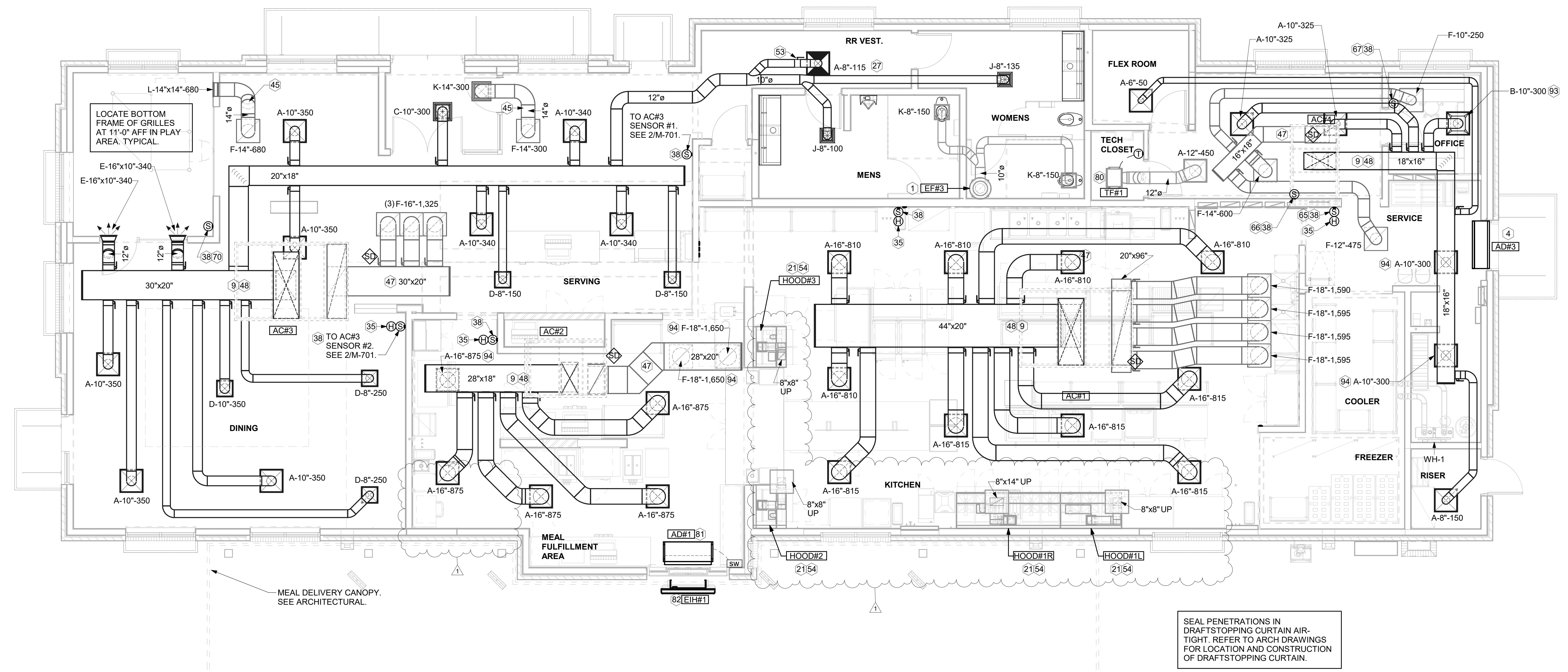
ISSUE FOR CONSTRUCTION

CONSULTANT PROJECT # 24137.CD.S
 DATE 07/18/2025
 DRAWN BY BLM

Information contained on this drawing and in all digital files produced for above named project may not be reproduced in any manner without express written or verbal consent from authorized project representatives.

SHEET
 EQUIPMENT AND DUCTWORK PLAN - TRANE
 SHEET NUMBER

M-101



SEAL PENETRATIONS IN DRAFTSTOPPING CURTAIN AIR-TIGHT. REFER TO ARCH DRAWINGS FOR LOCATION AND CONSTRUCTION OF DRAFTSTOPPING CURTAIN.

1 EQUIPMENT AND DUCTWORK PLAN
 1/4" = 1'-0"

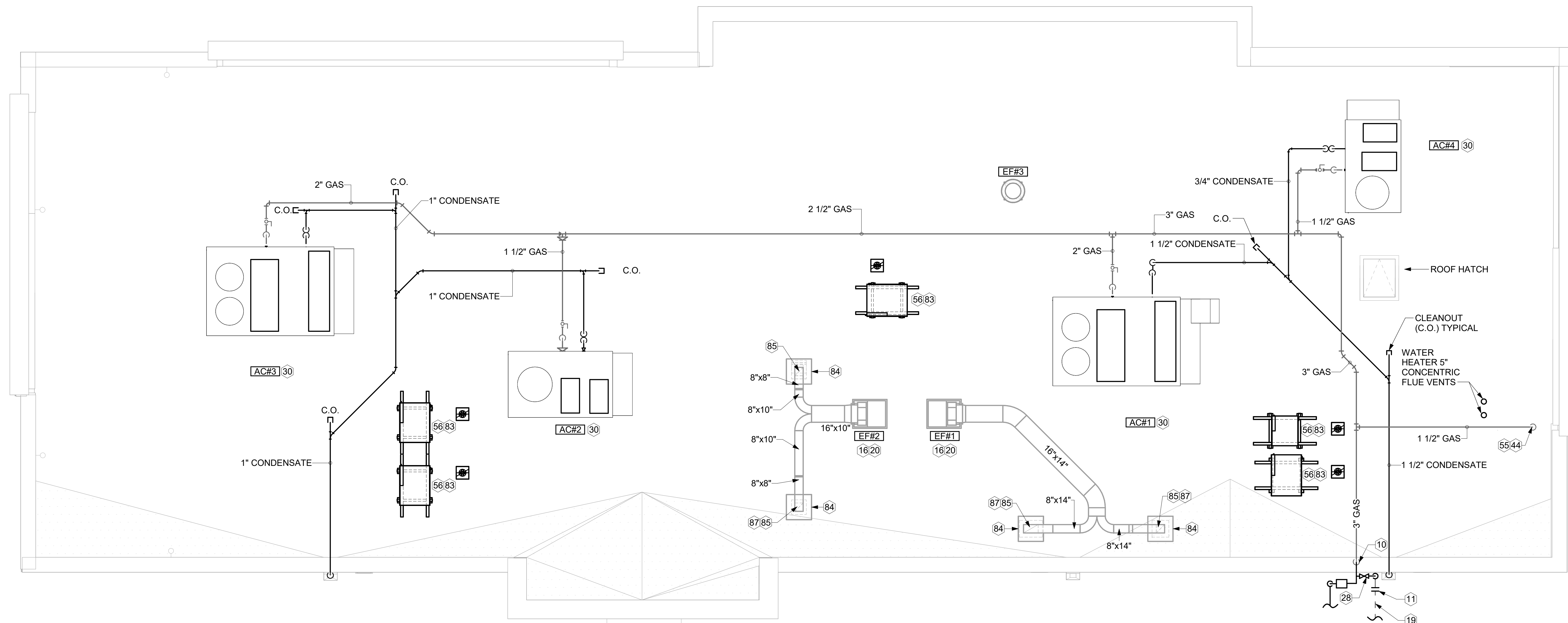
H.E.S. SYSTEM
 MECHANICAL CONTRACTOR TO PROVIDE AND INSTALL SUNCOAST H.E.S. SYSTEM FOR ALL HOODS. SEE HOOD FAN/EQUIPMENT INTERLOCK WIRING DIAGRAM ON M-702 FOR MORE INFORMATION.

AIR BALANCE SCHEDULE TRANE					
Mark	SUPPLY AIR	RETURN AIR	OUTSIDE AIR	EXHAUST AIR	BUILDING POSITIVE PRESSURE
AC#1	8,125	6,375	1,750	0	
AC#2	4,375	3,300	1,075	0	
AC#3	5,250	3,975	1,275	0	
AC#4	1,750	1,325	425	0	
EF#1	0	0	0	1,913	
EF#2	0	0	0	1,402	
EF#3	0	0	0	300	
	19,500	14,975	4,525	3,615	910

KEY NOTES

- 10" DIA. DUCT UP THRU ROOF.
- AIR CURTAIN MOUNTED OVER DOOR HEADER AT 7'-2" AFF TO BOTTOM OF UNIT. PROVIDE BLOCKING IN WALL BEHIND AIR CURTAIN. USE FACTORY PRE-PUNCHED MOUNTING HOLES ON BACK SIDE OF AIR CURTAIN ONLY. ATTACH AIR CURTAIN TO WALL USING 3/8" LAG BOLTS, LENGTH AS REQUIRED TO FULLY PENETRATE BLOCKING. LOCATE MAGNETIC CONTACT TYPE MICROSWITCH IN DOOR FRAME ON STRIKE SIDE.
- BRANCH TAKE-OFFS ARE NOT TO BE LOCATED CLOSER THAN 3'-0" FROM ANY OFFSET OR ELBOW INCLUDING THE SUPPLY AIR DROP FROM CURB.
- HALTON KBD DAMPER AT HOOD COLLAR BY MECHANICAL CONTRACTOR. SEE HOOD ELEVATIONS ON M-201 FOR LOCATION.
- MECHANICAL CONTRACTOR TO CLOSE THE AIR PATTERN DEFLECTORS ON SHADED SIDE.
- MOUNT HUMIDITY SENSOR ON WALL ABOVE SPACE TEMP SENSOR AND ROUTE WIRING TO UNIT ON ROOF.
- MOUNT REMOTE SENSOR ON WALL AT 5'-0" AFF U.N.O. AND ROUTE WIRING BACK TO SUNCOAST TEMP CONTROL PANEL. FOR SENSOR SERVING AC#1, COORDINATE EXACT LOCATION WITH KITCHEN EQUIPMENT.
- TRANSFER AIR DUCT, NO BALANCING DAMPERS AT GRILLES.
- TRANSITION IN VERTICAL DROP FROM FULL SIZE OF CURB OPENING TO SIZE SHOWN. SEE DETAIL 6/M-501 FOR REQUIRED TRANSITION GEOMETRY. TRANSITION WITHIN CURB WHERE REQUIRED TO AVOID STRUCTURE. WHERE THE DUCT IS SHOWN OFFSET HORIZONTALLY, PROVIDE ELBOW WITHOUT TURNING VANES. FOR DROPS WITH NO HORIZONTAL OFFSET, EXTEND DROP BELOW STRUCTURE TO ACCOMMODATE START COLLARS. TERMINATE DROP A MINIMUM 0'-10" ABOVE CEILING (0'-4" ABOVE CEILING IF REQUIRED TO ACCOMMODATE TAKE-OFF AND DROP IS NOT LOCATED DIRECTLY ABOVE A LIGHT).
- TRANSITION IN VERTICAL DROP FROM FULL SIZE OF CURB OPENING TO SIZE SHOWN. TRANSITION WITHIN CURB WHERE REQUIRED TO AVOID STRUCTURE. WHERE THE DUCT IS SHOWN OFFSET HORIZONTALLY, PROVIDE ELBOW WITH TURNING VANES. FOR DROPS WITH NO HORIZONTAL OFFSET, EXTEND DROP BELOW STRUCTURE TO ACCOMMODATE START COLLARS. TERMINATE DROP A MINIMUM 0'-10" ABOVE CEILING (0'-4" ABOVE CEILING IF REQUIRED TO ACCOMMODATE TAKE-OFF AND DROP IS NOT LOCATED DIRECTLY ABOVE A LIGHT).
- RUSKIN MDRS25 MVD W/LOCKING QUADRANT HANDLE.
- SEE ELEVATIONS ON M-201 FOR CJ FAN DUCTING REQUIREMENT.
- TO AC#4, SENSOR #1. SEE 2/M-701.
- TO AC#4, SENSOR #2. SEE 2/M-701.
- TO AC#4, SENSOR #3. SEE 2/M-701.
- TO AC#3, SENSOR #3. SEE 2/M-701.
- CEILING MOUNTED RECIRCULATING FAN. DUCT AND DISCHARGE TO TYPE 'A' DIFFUSER AS SHOWN. MOUNT AIR DOOR IN CEILING, CENTERED ON DRIVE-THRU/MFA DOOR OPENING. REFER TO WIRING DIAGRAM ON SHEET M-702 FOR MORE INFORMATION.
- ELECTRIC HEATER. MC TO MOUNT ON WALL PER MANUFACTURER'S RECOMMENDATIONS.
- MAXIMUM HEATING AND COOLING AIRFLOWS INDICATED. SET MINIMUM AIRFLOW TO 25 CFM.
- TAKE OFF WITH DAMPER AT THE BOTTOM OF DUCTWORK, TYP.

Autodesk Docs/MO_05248_Hwy 50 & SR 291 (MO) FSU_2024.9_FSR05248_Hwy 50 & SR 291 (MO) FSU_K&A_MEC.rvt
 7/15/2025 12:34:51 PM
 30-LSR-05248-M-101-EQUIPMENT AND DUCTWORK PLAN - TRANE



1 EQUIPMENT ROOF PLAN - TRANE
1/4" = 1'-0"

KEY NOTES

- 10 TURN 3" GAS UP WITHIN WALL, THRU PARAPET AND ONTO ROOF.
- 11 ROUTE POLYETHYLENE GAS BELOW GRADE FROM THE METER. FOR TRANSITION FROM POLYETHYLENE PIPING BELOW GRADE TO STEEL AT THE METER, INSTALL ANODELESS RISER WITH INTEGRAL CONSTAB PE-TO-IPS TRANSITION FITTING BY CONTINENTAL INDUSTRIES OR EQUAL BY ELSTER.
- 16 VERIFY EXHAUST TERMINATION IS A MINIMUM 10'-0" FROM PARAPETS AND OUTSIDE AIR INTAKES. MINIMUM TERMINATION 40" ABOVE ROOF SURFACE. REFER TO MH-1.4 AND MH-1.5 FOR DETAILS.
- 19 1-1/2" GAS BELOW GRADE TO ORDER CANOPY, SEE DETAIL 2 SHEET M-103.
- 20 GREASE EXHAUST DUCT LOCATED ON ROOF SHALL SLOPE 1/4" PER FOOT TOWARDS THE HOOD, THE FAN, OR A COMBINATION OF THE TWO SUCH THAT NO PORTION OF THE RADIUS ELBOW AT THE CURB IS BELOW THE CURB CAP AND SUCH THAT THE FAN BASE SETS DIRECTLY ON THE CURB RAILS. THE BOTTOM OF THE RADIUS ELBOW MAY BE EVEN OR FLUSH WITH THE CURB CAP, BUT NOT BELOW THE CAP. THE DUCT AT THE FAN MUST BE CENTERED ON THE FAN INLET.
- 28 PROVIDE FULL PORT BALL VALVE EQUAL TO APOLLO 50GB SERIES WITH WINGS HANDLE OPTION ABOVE GRADE AT THE METER. PROVIDE BRASS VALVE TAG WITH JACK CHAIN AT VALVE MARKED "SERVICE SHUTOFF FOR CANOPY HEATERS."
- 30 MECHANICAL CONTRACTOR TO SEE ARCHITECTURAL ROOF PLAN FOR NOTES REGARDING LEVELING FRAMES FOR RTUS. COORDINATE WITH GENERAL CONTRACTOR EXACT LOCATIONS AND SIZE NEEDED.
- 44 1-1/2" GAS DOWN THRU ROOF TO WATER HEATER. SEE DETAIL 2/M-502 FOR MORE INFORMATION ON CONSTRUCTION AND PENETRATION.
- 55 SEE ARCHITECTURAL DETAILS FOR ROOFTOP PIPE PENETRATIONS.
- 56 GC SHALL PROVIDE EQUIPMENT STANDS AS MANUFACTURED BY AVCOA OR EQUAL. STANDS SHALL BE INSTALLED PRIOR TO ROOF INSULATION SO THAT THE INSULATION IS CONTINUOUS UP TO THE PIPE POSTS. POSTS SHALL BE FLASHED IN ACCORDANCE WITH ROOFING MANUFACTURER'S INSTALLATION INSTRUCTIONS. COORDINATE BLOCKING BELOW THE ROOF DECK AS REQUIRED.
- 83 DO NOT DISCHARGE OF CONDENSING UNITS INTO CONDENSER SECTION OF ROOFTOP UNITS, TYP.
- 84 ROOF CURB FOR DUCT PENETRATION. REFER TO MH-1.4 AND MH-1.5 FOR DETAILS.
- 85 TURN DOWN THRU ROOF. SEE M-101 FOR CONTINUATION.
- 87 DUCT PENETRATIONS ON ROOF MUST BE AT LEAST 18" FROM ADJACENT PARAPETS.

3. GAS LOAD SCHEDULE	
EQUIPMENT	GAS LOAD
AC#1	400,000 BTUS
AC#2	250,000 BTUS
AC#3	400,000 BTUS
AC#4	150,000 BTUS
IRH (2 @ 50,000 BTU EA.)	100,000 BTUS
IRH (FUTURE 4 @ 50,000 BTU EA.)	200,000 BTUS
WATER HEATER	398,000 BTUS
TOTAL FUTURE CONNECTED LOAD	1,898,000 BTUS
REMARKS:	1. EQUIVALENT TO 1,898.0 CFH 2. 7" W.C. DELIVERY PRESSURE 3. DEVELOPED LENGTH: 200 FT. (METER TO AC#3) 4. GAS PIPING SIZED FOR FUTURE LOAD

Autodesk Docs://MO_05248_Hwy 50 & SR 291 (MO) FSU_2024.9_FSR05248_Hwy 50 & SR 291 (MO) FSU_K&A_MEC.rvt
7/15/2025 12:34:54 PM
30-LSR-05248-M-102-EQUIPMENT ROOF PLAN - TRANE

Chick-fil-A
5200 Buffington Road
Atlanta, Georgia
30349-2998

Kurzynske & Associates
2705 Lebanon Pike - Suite One
Nashville, Tennessee 37214
Telephone: (615) 255-5203

07/18/25

CHICK-FIL-A
Oldham Village FSU
1025 SW Jefferson St
Lee's Summit, MO 64081

FSR#05248
BUILDING TYPE / SIZE: P14 LSR BN
RELEASE: 23.09
PRINTED FOR:
ISSUE FOR CONSTRUCTION

NO.	DATE	DESCRIPTION
1	07/18/25	ISSUE FOR CONSTRUCTION

ISSUE FOR CONSTRUCTION

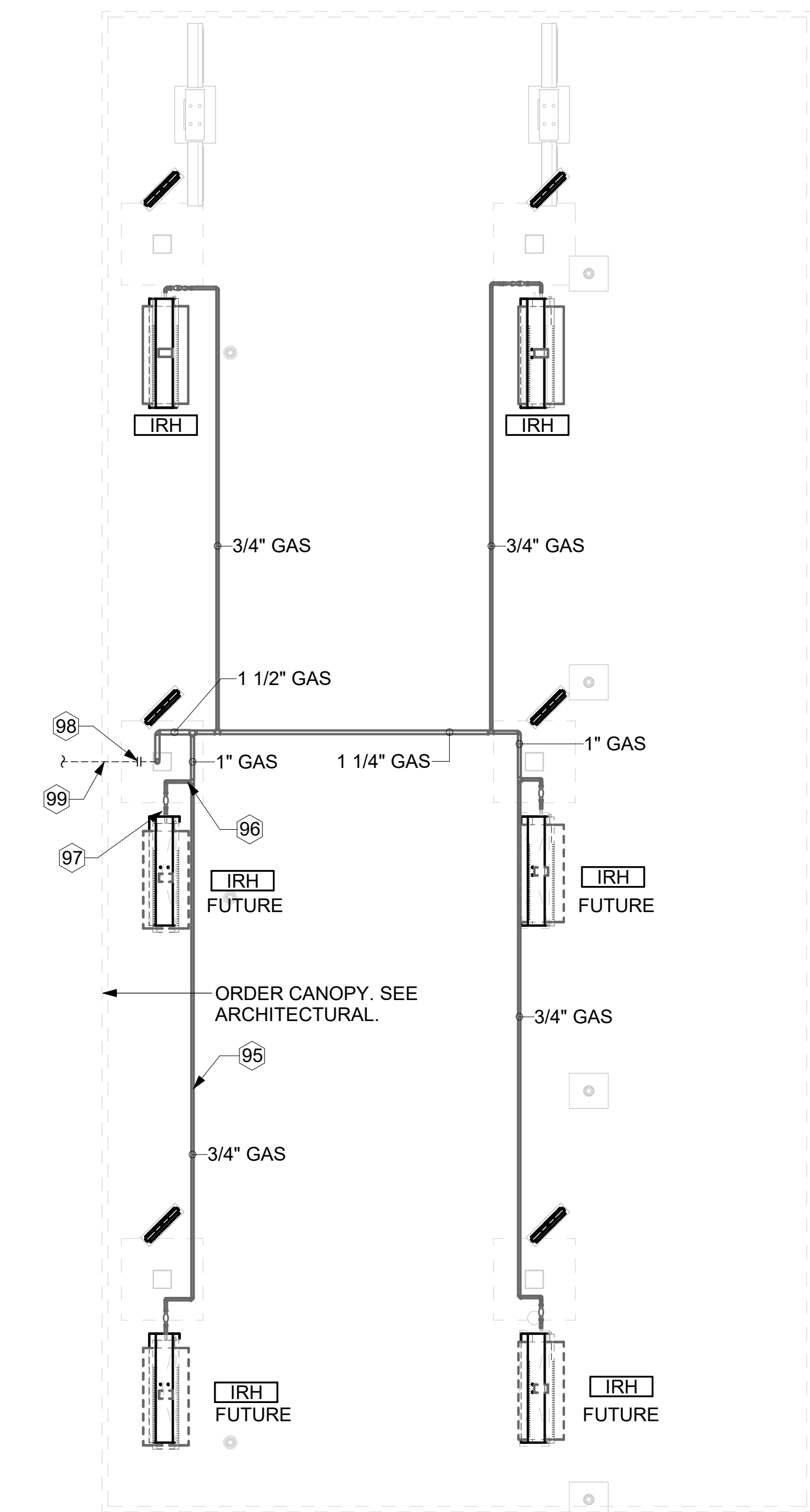
CONSULTANT PROJECT # 24137.CD.S
DATE 07/18/2025
DRAWN BY BLM

Information contained on this drawing and in all digital files produced for above named project may not be reproduced in any manner without express written or verbal consent from authorized project representatives.

SHEET
EQUIPMENT ROOF PLAN - TRANE
SHEET NUMBER

M-102

Autodesk Docs://MO_05248_Hwy 50 & SR 291 (MO) FSU_2024.9_FSR05248_Hwy 50 & SR 291 (MO) FSU_K&A_MEC.rvt
7/15/2025 12:34:57 PM
30-LSR-05248-M-103-CANOPY HVAC PLAN



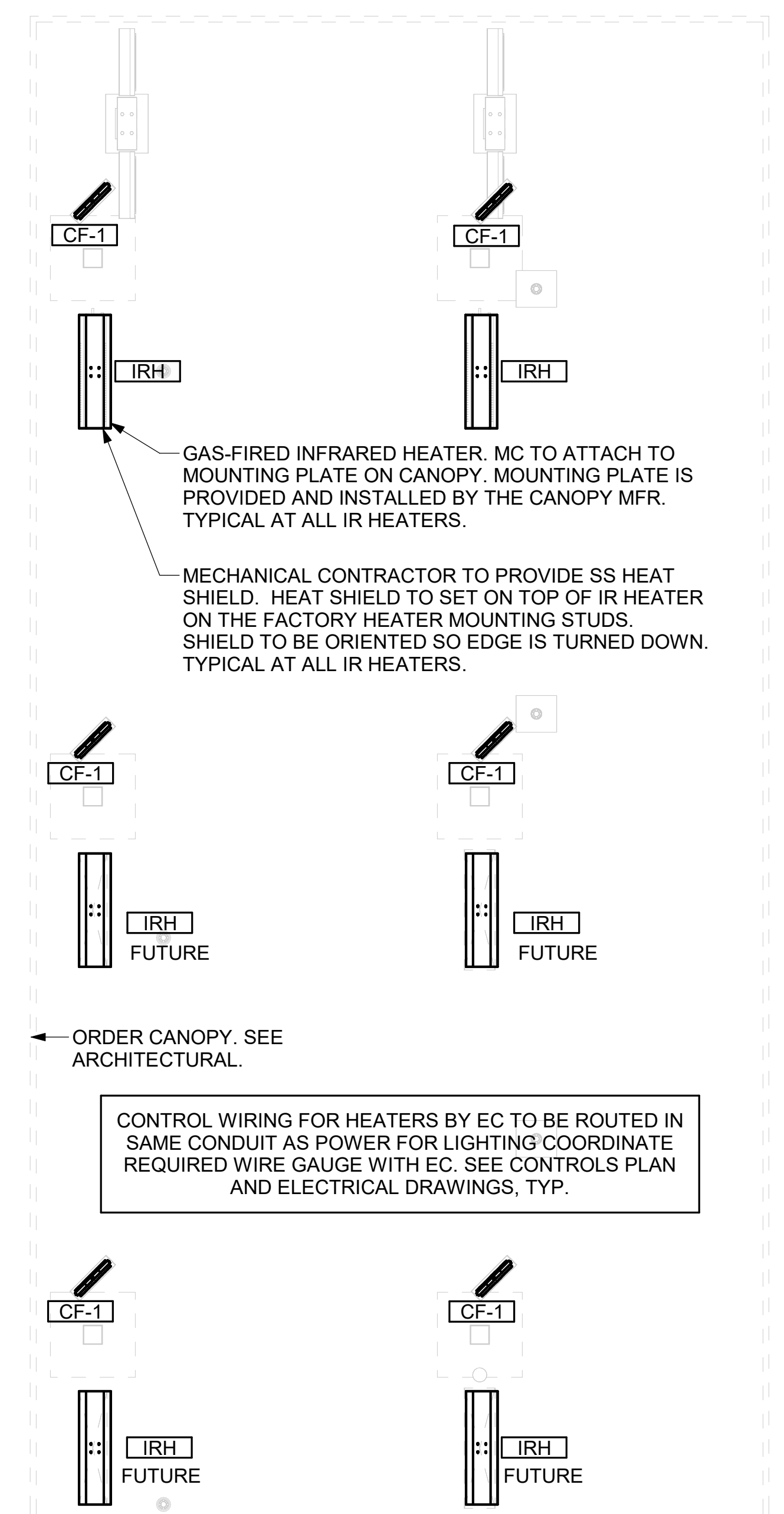
2 MECHANICAL FLOOR PLAN - ORDER CANOPY
1/4" = 1'-0"

CANOPY GENERAL NOTES

1. COORDINATE WORK WITH CONDUIT, STRUCTURE, AND PIPING. FIELD VERIFY CONDITIONS PRIOR TO START OF WORK.
2. COORDINATE LOCATION AND RESPONSIBILITIES FOR UNDERGROUND PIPING AND ASSOCIATED TRENCHING WITH GENERAL CONTRACTOR PRIOR TO START OF WORK.
3. EXPOSED GAS PIPING SHALL BE COVERED WITH A RUST INHIBITING PAINT SUCH AS RUST-OLEUM 5200. PAINT COLOR SHALL MATCH STRUCTURE. ROOF MOUNTED GAS PIPING COLOR SHALL BE YELLOW.
4. CONTROL WIRING FOR HEATERS BY EC. COORDINATE REQUIRED WIRE GAUGE WITH EC. SEE CONTROLS PLAN AND ELECTRICAL DRAWINGS, (TYP.).

KEY NOTES

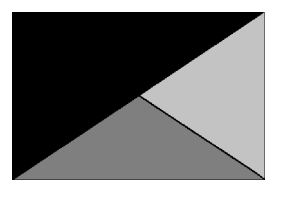
- 95 GAS PIPING TO BE ROUTED ABOVE CANOPY, ON TOP OF STRUCTURAL MEMBERS, EXCEPT WHERE ROUTED DOWN THROUGH PENETRATIONS AS INDICATED.
- 96 GAS PIPING DOWN THROUGH DECK. WEATHERPROOF DECK PENETRATION PER DETAIL 6/M-502. TYPICAL.
- 97 SEE DETAIL 1/M-502 FOR PIPING AT IRH. TYPICAL.
- 98 GAS TRANSITION FITTING TO GAS PIPE STUB-OUT. GAS PIPING INSIDE COLUMN AND STUB-OUTS BY CANOPY MFR. JOIN UNDERGROUND POLYETHYLENE GAS PIPING TO TRANSITION FITTING WITH ELSTER PERMASERT COUPLING. CANOPY MFR'S EXPOSED STEEL PIPING BELOW GRADE SHALL BE PROTECTED WITH TWO COATS ASPHALT TUM BASE PAINT AND POLY SLEEVE.
- 99 1-1/2" GAS B/G TO METER SEE 1/M-102.



1 MECHANICAL FLOOR PLAN - ORDER CANOPY
1/4" = 1'-0"



Chick-fil-A
5200 Buffington Road
Atlanta, Georgia
30349-2998



Kurzynske & Associates
2705 Lebanon Pike - Suite One
Nashville, Tennessee 37214
Telephone: (615) 255-5203



07/18/25

CHICK-FIL-A
Oldham Village FSU

1025 SW Jefferson St
Lee's Summit, MO 64081

FSR#05248

BUILDING TYPE / SIZE: P14 LSR BN
RELEASE: 23.09
PRINTED FOR

ISSUE FOR CONSTRUCTION

NO.	DATE	DESCRIPTION
1	07/18/25	ISSUE FOR CONSTRUCTION

ISSUE FOR CONSTRUCTION

CONSULTANT PROJECT # 24137.CD.S
DATE 07/18/2025
DRAWN BY BLM

Information contained on this drawing and in all digital files produced for above named project may not be reproduced in any manner without express written or verbal consent from authorized project representatives.
SHEET CANOPY HVAC PLAN

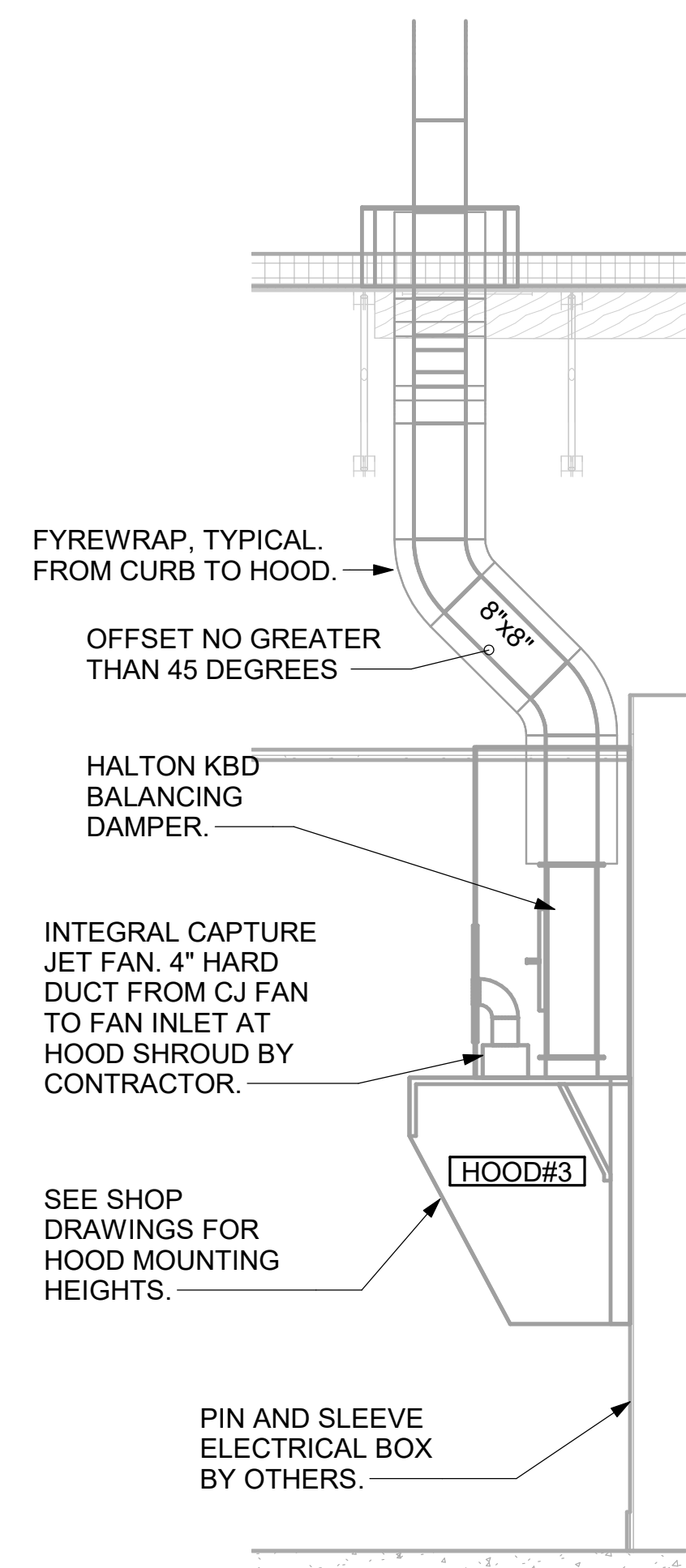
SHEET NUMBER

M-103

GREASE EXHAUST DUCT CLEARANCE NOTE:
 CLEARANCES ABOVE CEILING ARE TIGHT. MECHANICAL CONTRACTOR TO FIELD VERIFY EXACT ROUTING AND CLEARANCES PRIOR TO FABRICATING GREASE EXHAUST DUCT.

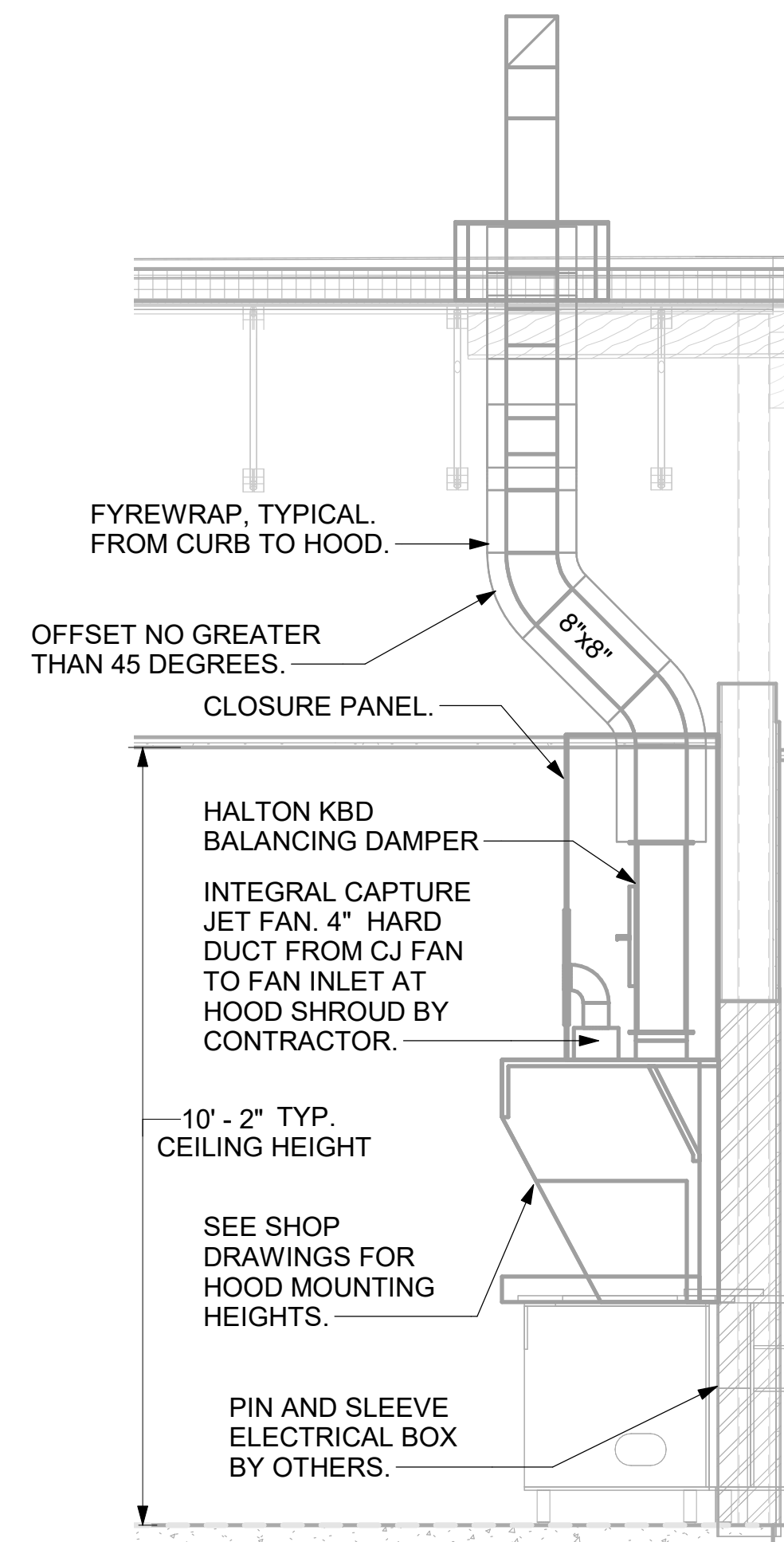
CLEANOUT DOOR NOTE:
 DUCT WRAP SHALL BE APPLIED TO THE CLEANOUT DOOR PER THE WRAP MFR'S INSTALLATION INSTRUCTIONS, NO EXCEPTIONS. ALSO, THE CLEANOUT DOOR MUST BE REMOVABLE WITHOUT TOOLS AND MUST BE CLEARLY AND PERMANENTLY LABELED.

CRITICAL: SET LEFT SIDE OF HOOD#3 FLUSH WITH FINISHED EDGE OF PASS THRU OPENING.

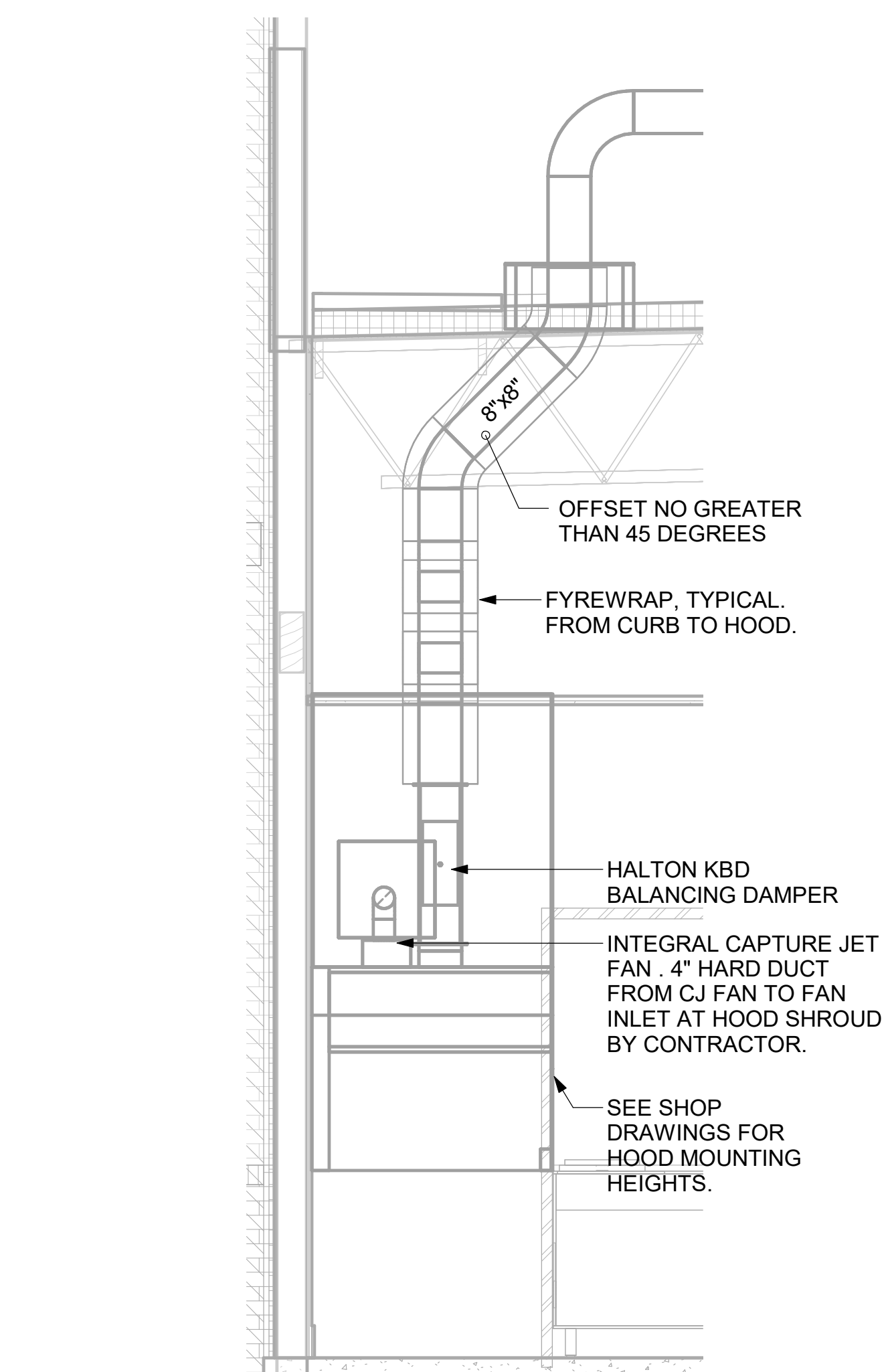


6 HOOD ELEVATION - HOOD#3
 NOT TO SCALE

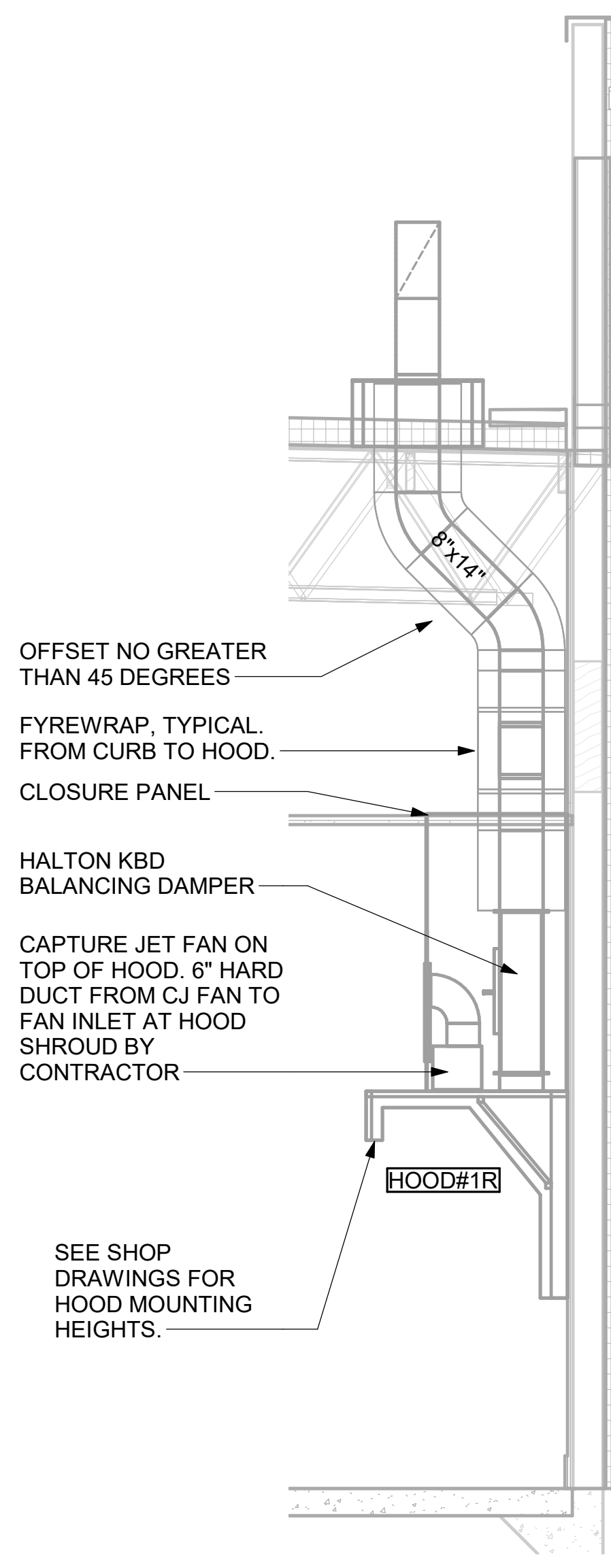
CRITICAL: SET RIGHT SIDE OF HOOD#2 FLUSH WITH FINISHED EDGE OF PASS THRU OPENING.



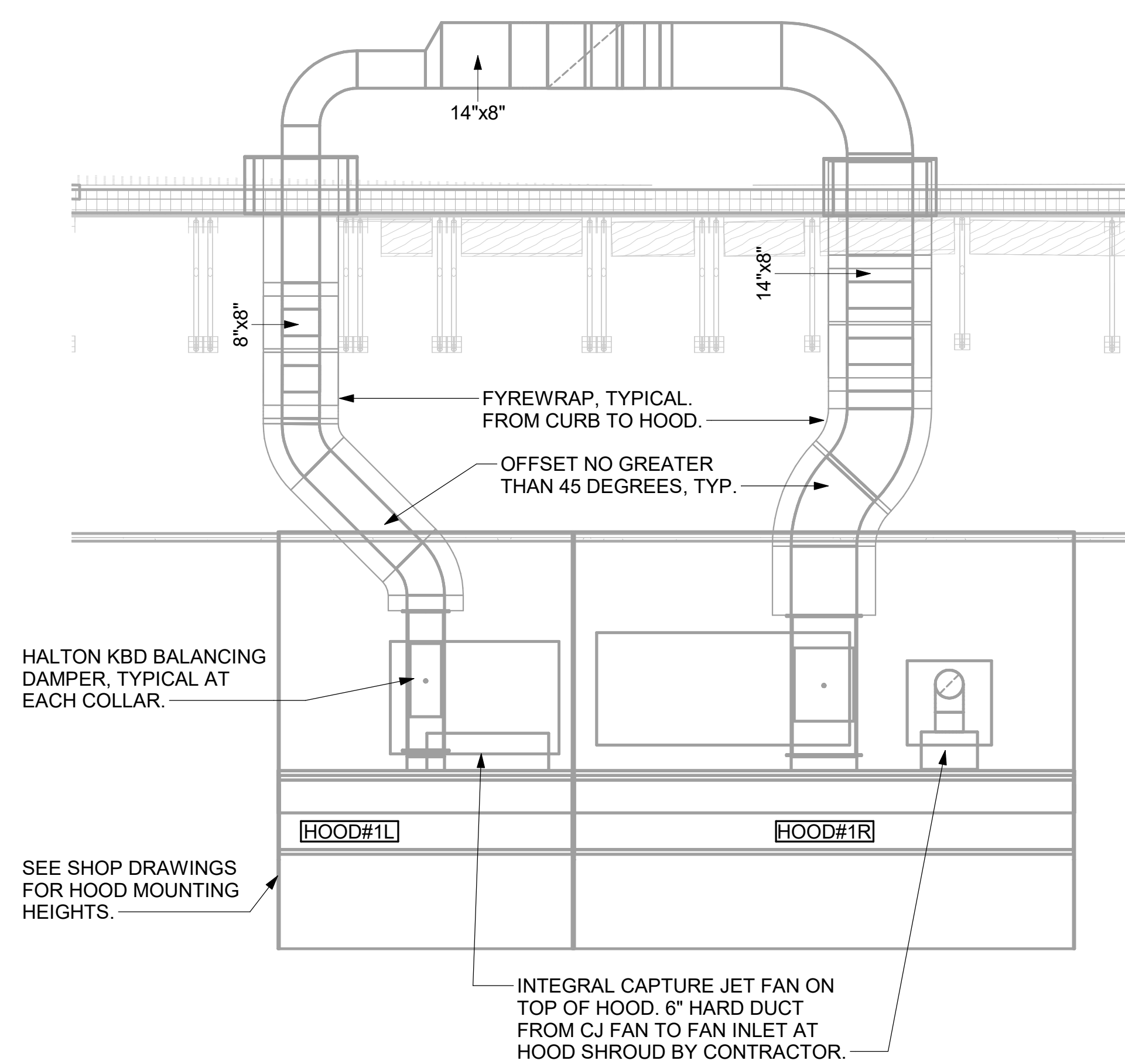
4 HOOD ELEVATION - HOOD#2 - SIDE
 NOT TO SCALE



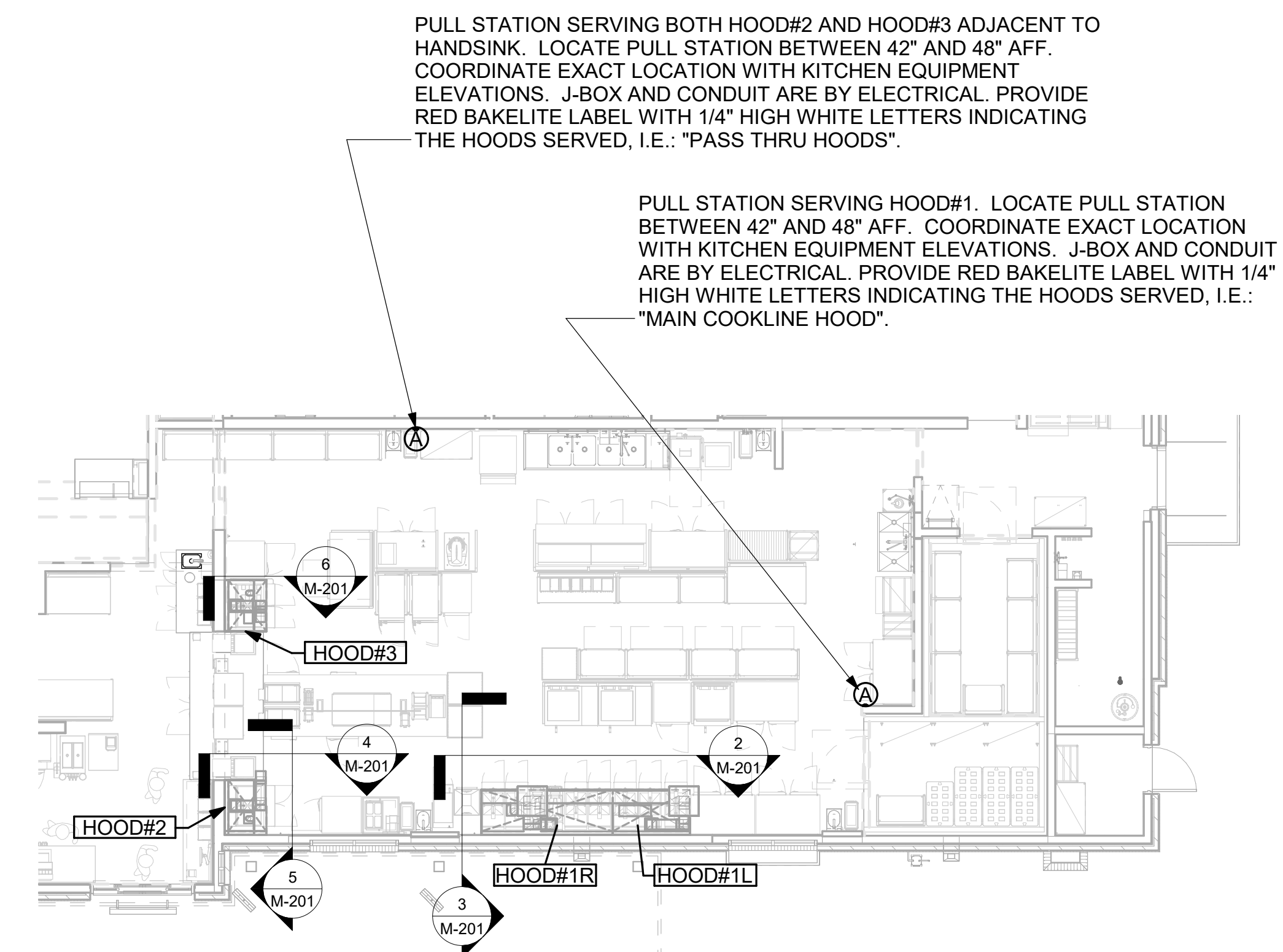
5 HOOD ELEVATION - HOOD#2 - FRONT
 NOT TO SCALE



3 HOOD ELEVATION - HOOD#1 - SIDE
 NOT TO SCALE



2 HOOD ELEVATION - HOOD#1 - FRONT
 NOT TO SCALE



1 HOOD LAYOUT
 NOT TO SCALE

PULL STATION SERVING BOTH HOOD#2 AND HOOD#3 ADJACENT TO HANDSINK. LOCATE PULL STATION BETWEEN 42" AND 48" AFF. COORDINATE EXACT LOCATION WITH KITCHEN EQUIPMENT ELEVATIONS. J-BOX AND CONDUIT ARE BY ELECTRICAL. PROVIDE RED BAKELITE LABEL WITH 1/4" HIGH WHITE LETTERS INDICATING THE HOODS SERVED, I.E.: "PASS THRU HOODS".

PULL STATION SERVING HOOD#1. LOCATE PULL STATION BETWEEN 42" AND 48" AFF. COORDINATE EXACT LOCATION WITH KITCHEN EQUIPMENT ELEVATIONS. J-BOX AND CONDUIT ARE BY ELECTRICAL. PROVIDE RED BAKELITE LABEL WITH 1/4" HIGH WHITE LETTERS INDICATING THE HOODS SERVED, I.E.: "MAIN COOKLINE HOOD".



Chick-fil-A
 5200 Buffington Road
 Atlanta, Georgia
 30349-2998

Kurzynske & Associates
 2705 Lebanon Pike - Suite One
 Nashville, Tennessee 37214
 Telephone: (615) 255-5203



07/18/25

CHICK-FIL-A
 Oldham Village FSU
 1025 SW Jefferson St
 Lee's Summit, MO 64081

FSR#05248

BUILDING TYPE / SIZE: P14 LSR BN
 RELEASE: 23.09
 PRINTED FOR
 ISSUE FOR CONSTRUCTION

REVISION SCHEDULE		
NO.	DATE	DESCRIPTION
1	07/18/25	ISSUE FOR CONSTRUCTION

CONSULTANT PROJECT # 24137.CD.S
 DATE 07/18/2025
 DRAWN BY BLM

Information contained on this drawing and in all digital files produced for above named project may not be reproduced in any manner without express written or verbal consent from authorized project representatives.
 SHEET EXHAUST HOOD ELEVATIONS

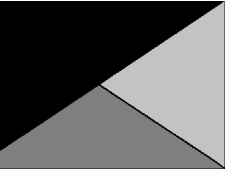
SHEET NUMBER **M-201**

Autodesk Docs://MO_05248_Hwy 50 & SR 291 (MO) FSU_2024.9_FSR05248_Hwy 50 & SR 291 (MO) FSU_K&A_MEC.rvt
 7/15/2025 12:35:00 PM
 30-LSR-05248-M-201-EXHAUST HOOD ELEVATIONS

ISSUE FOR CONSTRUCTION



Chick-fil-A
5200 Buffington Road
Atlanta, Georgia
30349-2998



Kurzynske & Associates
2705 Lebanon Pike - Suite One
Nashville, Tennessee 37214
Telephone: (615) 255-5203



07/18/25

CHICK-FIL-A
Oldham Village FSU

1025 SW Jefferson St
Lee's Summit, MO 64081

FSR#05248

BUILDING TYPE / SIZE: P14 LSR BN
RELEASE: 23.09

PRINTED FOR
ISSUE FOR CONSTRUCTION

NO.	DATE	DESCRIPTION
1	07/18/25	ISSUE FOR CONSTRUCTION

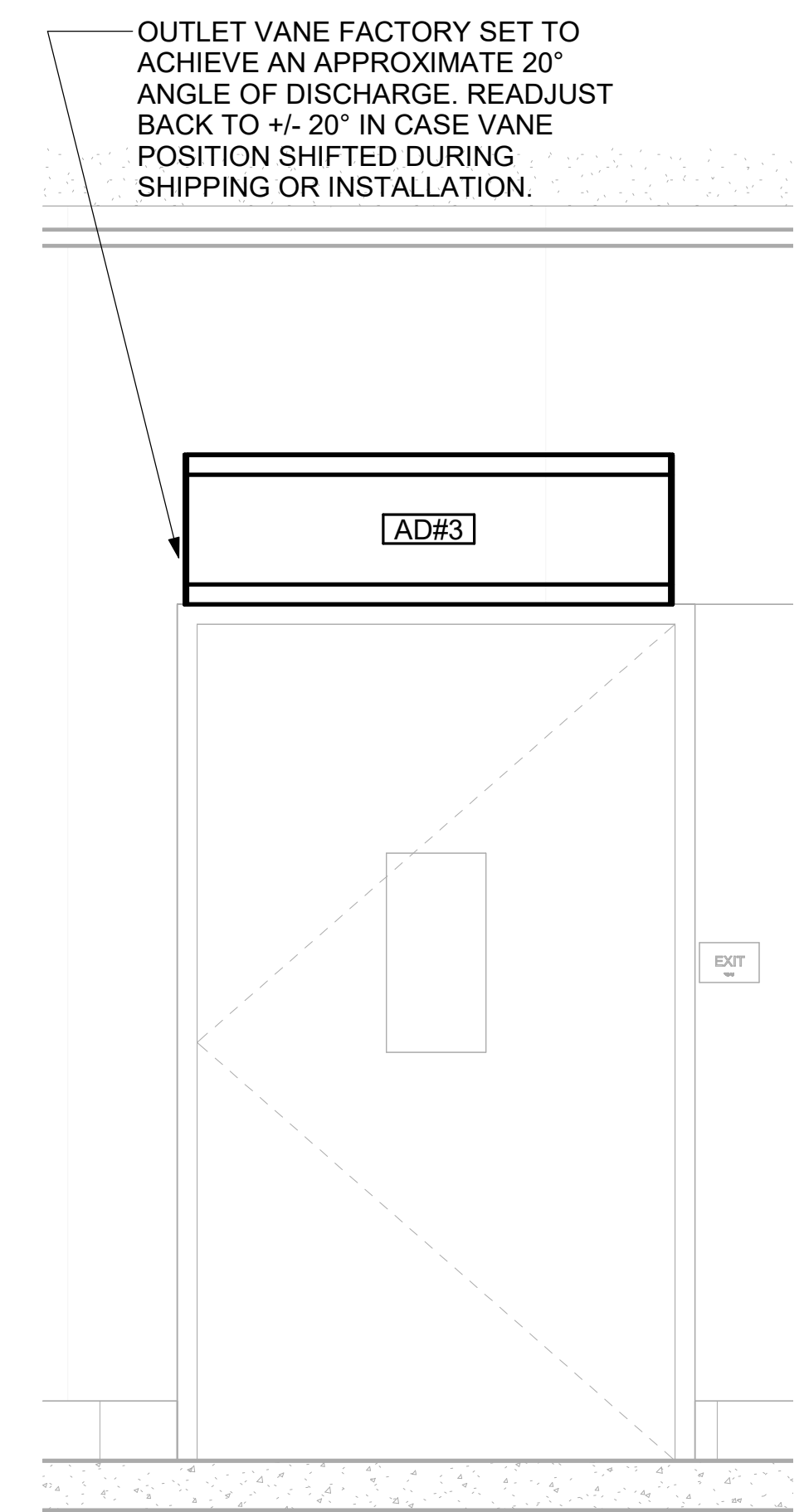
ISSUE FOR CONSTRUCTION

CONSULTANT PROJECT # 24137.CD.S
DATE 07/18/2025
DRAWN BY BLM

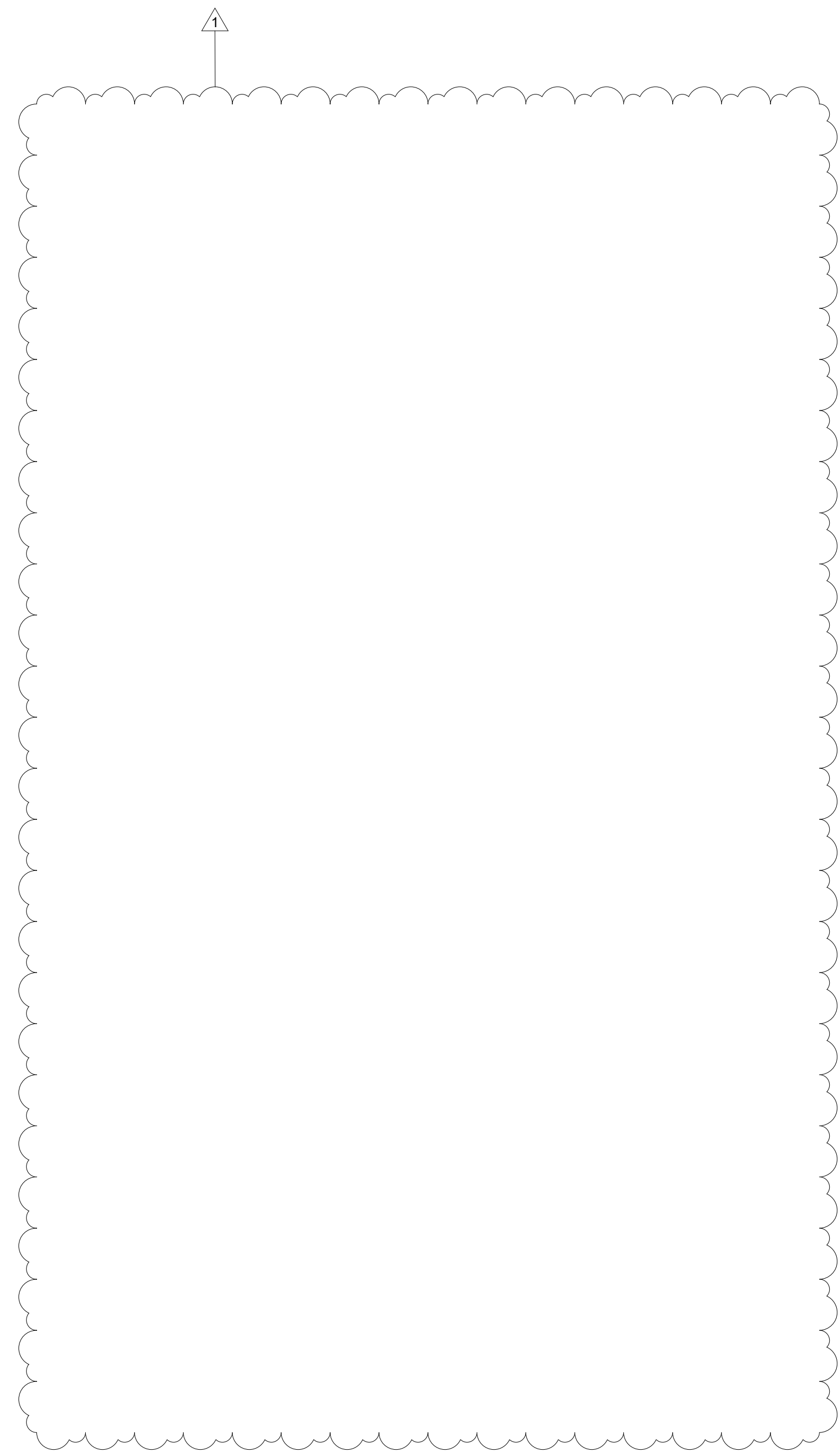
Information contained on this drawing and in all digital files produced for above named project may not be reproduced in any manner without express written or verbal consent from authorized project representatives.

SHEET SECTIONS

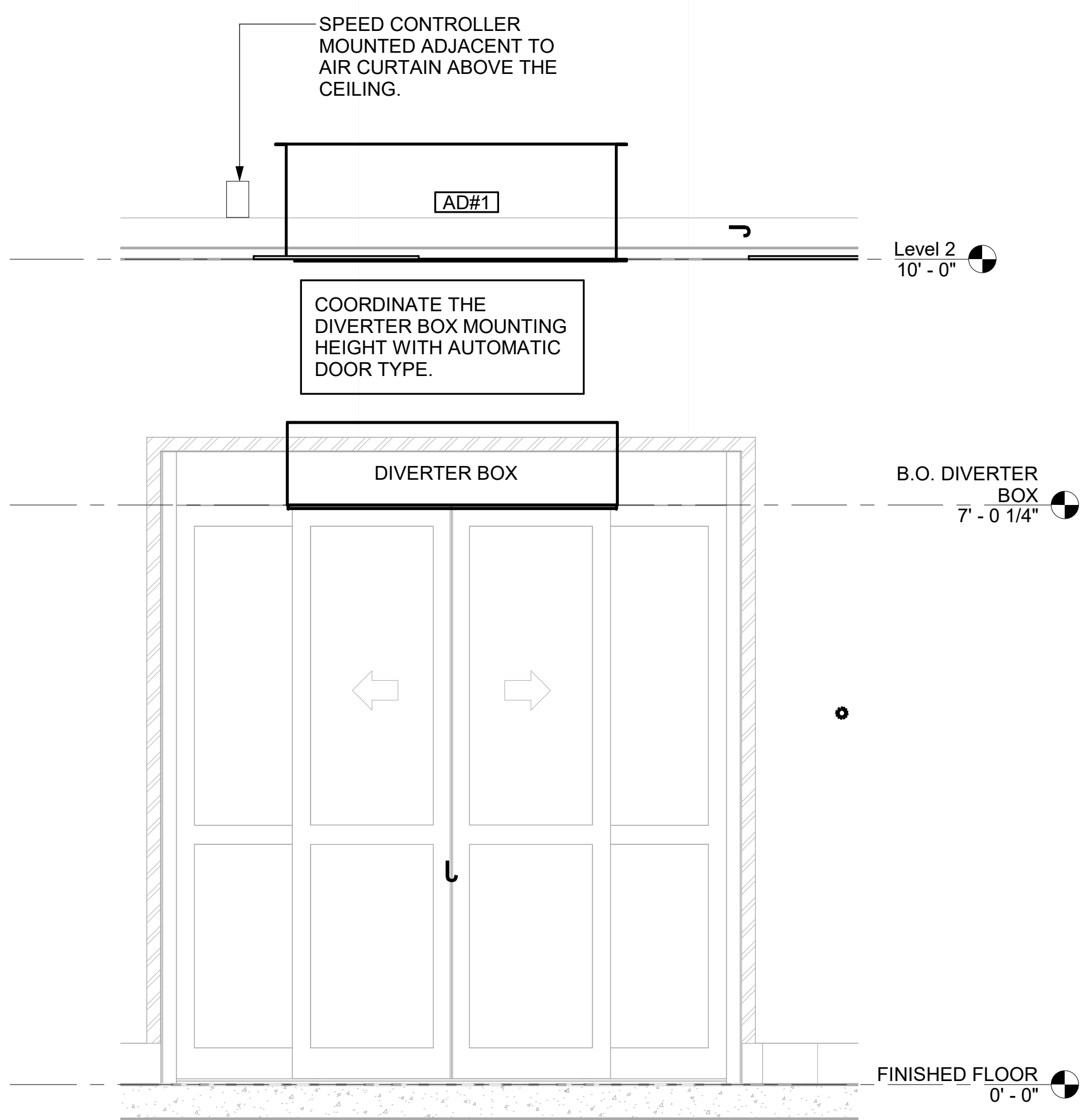
SHEET NUMBER
M-301



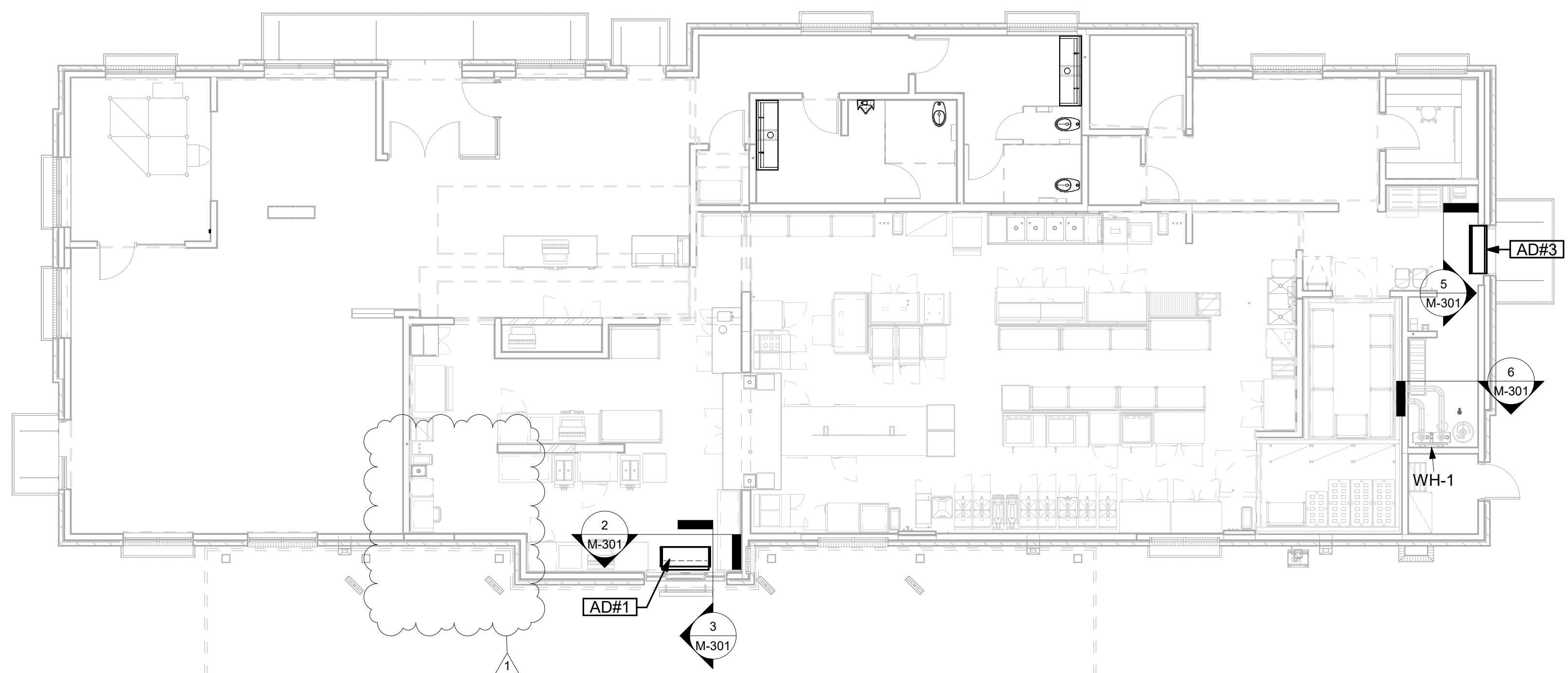
5 AD#3 FRONT VIEW
3/4" = 1'-0"



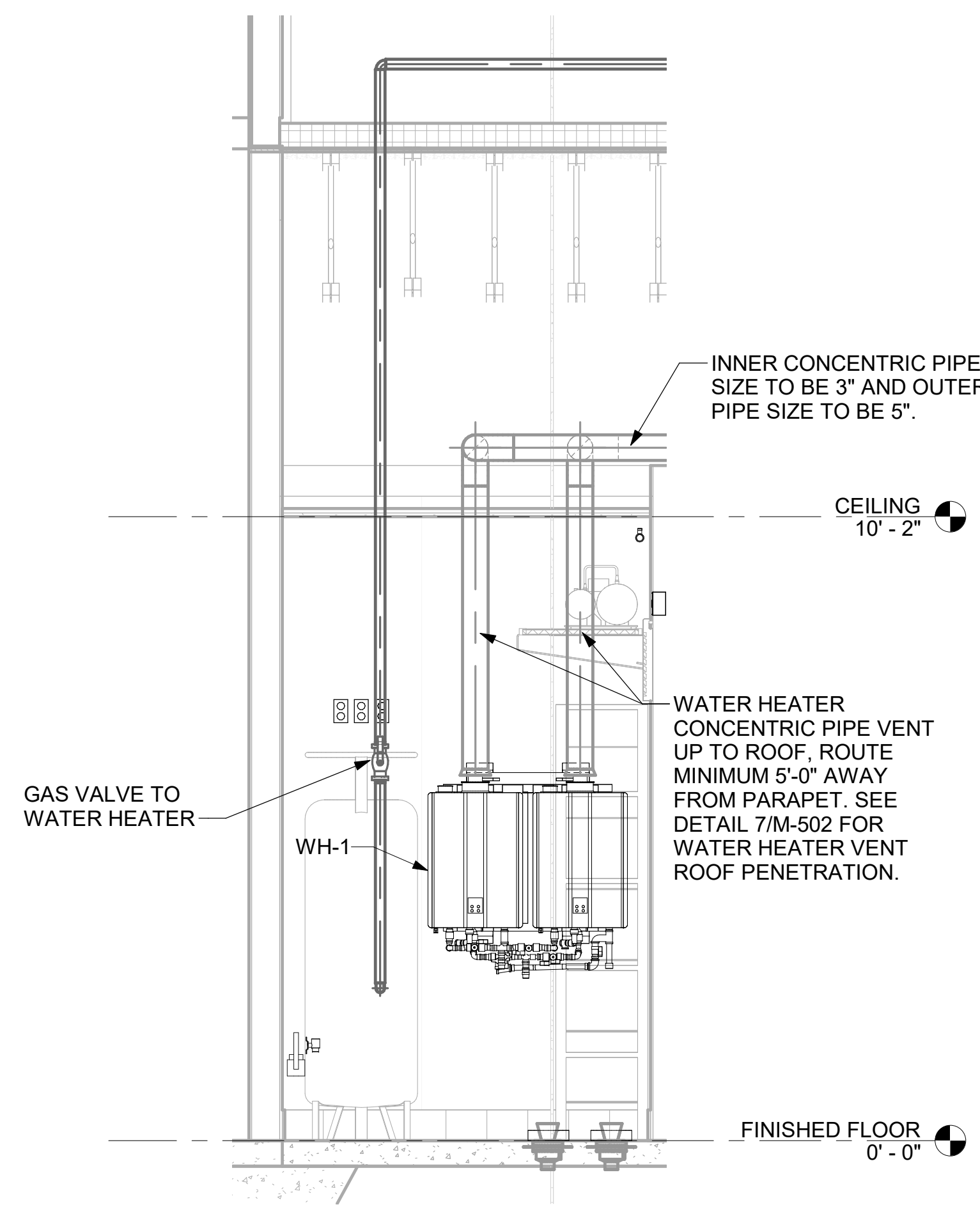
3 AD#1 SIDE VIEW
3/4" = 1'-0"



2 AD#1 FRONT VIEW
3/4" = 1'-0"



1 VARIOUS SECTIONS
1/8" = 1'-0"

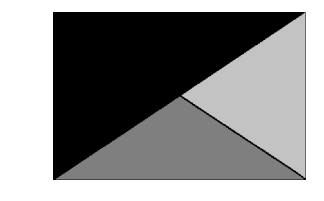


6 WATER HEATER GAS PIPING AND VENTING
NOT TO SCALE



Chick-fil-A

Chick-fil-A
 5200 Buffington Road
 Atlanta, Georgia
 30349-2998



Kurzynske & Associates
 2705 Lebanon Pike - Suite One
 Nashville, Tennessee 37214
 Telephone: (615) 255-5203



07/18/25

CHICK-FIL-A
 Oldham Village FSU

1025 SW Jefferson St
 Lee's Summit, MO 64081

FSR#05248

BUILDING TYPE / SIZE: P14 LSR BN
 RELEASE: 23.09
 PRINTED FOR

ISSUE FOR CONSTRUCTION

REVISION SCHEDULE		
NO.	DATE	DESCRIPTION
1	07/18/25	ISSUE FOR CONSTRUCTION

ISSUE FOR CONSTRUCTION

CONSULTANT PROJECT # 24137.CD.S
 DATE 07/18/2025
 DRAWN BY BLM

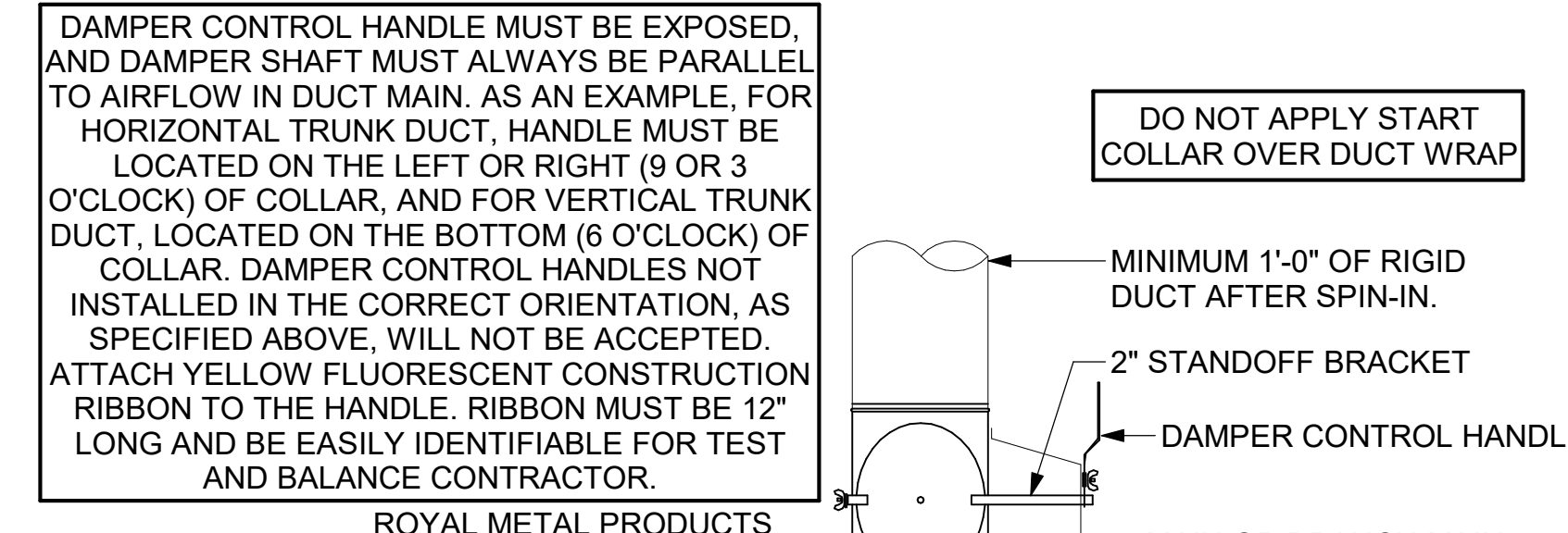
Information contained on this drawing and in all digital files produced for above named project may not be reproduced in any manner without express written or verbal consent from authorized project representatives.

SHEET DETAILS

SHEET NUMBER

M-501

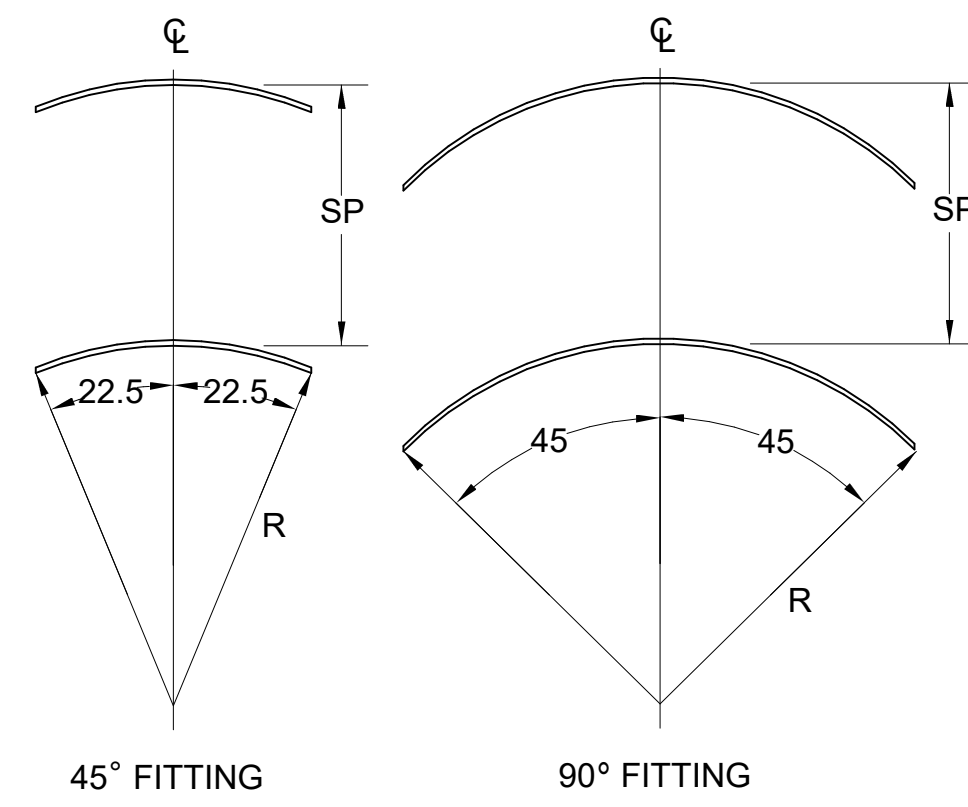
CHICK-FIL-A HAS A NATIONAL ACCOUNT WITH TOM BARROW COMPANY FOR THE ROYAL METAL PRODUCTS START COLLARS FOR BOTH WITH AND WITHOUT A MANUAL BALANCING DAMPER. THE MECHANICAL CONTRACTOR IS REQUIRED TO PURCHASE THE ROYAL METAL PRODUCTS START COLLARS DIRECTLY FROM TOM BARROW COMPANY. CONTACT MR. SCOTT GEORGE AT 404-351-1010 FOR PRICING AND AVAILABILITY. ROYAL METAL PRODUCTS START COLLARS NOT PURCHASED THRU TOM BARROW COMPANY WILL NOT BE ACCEPTED.



2 START COLLAR
 NOT TO SCALE

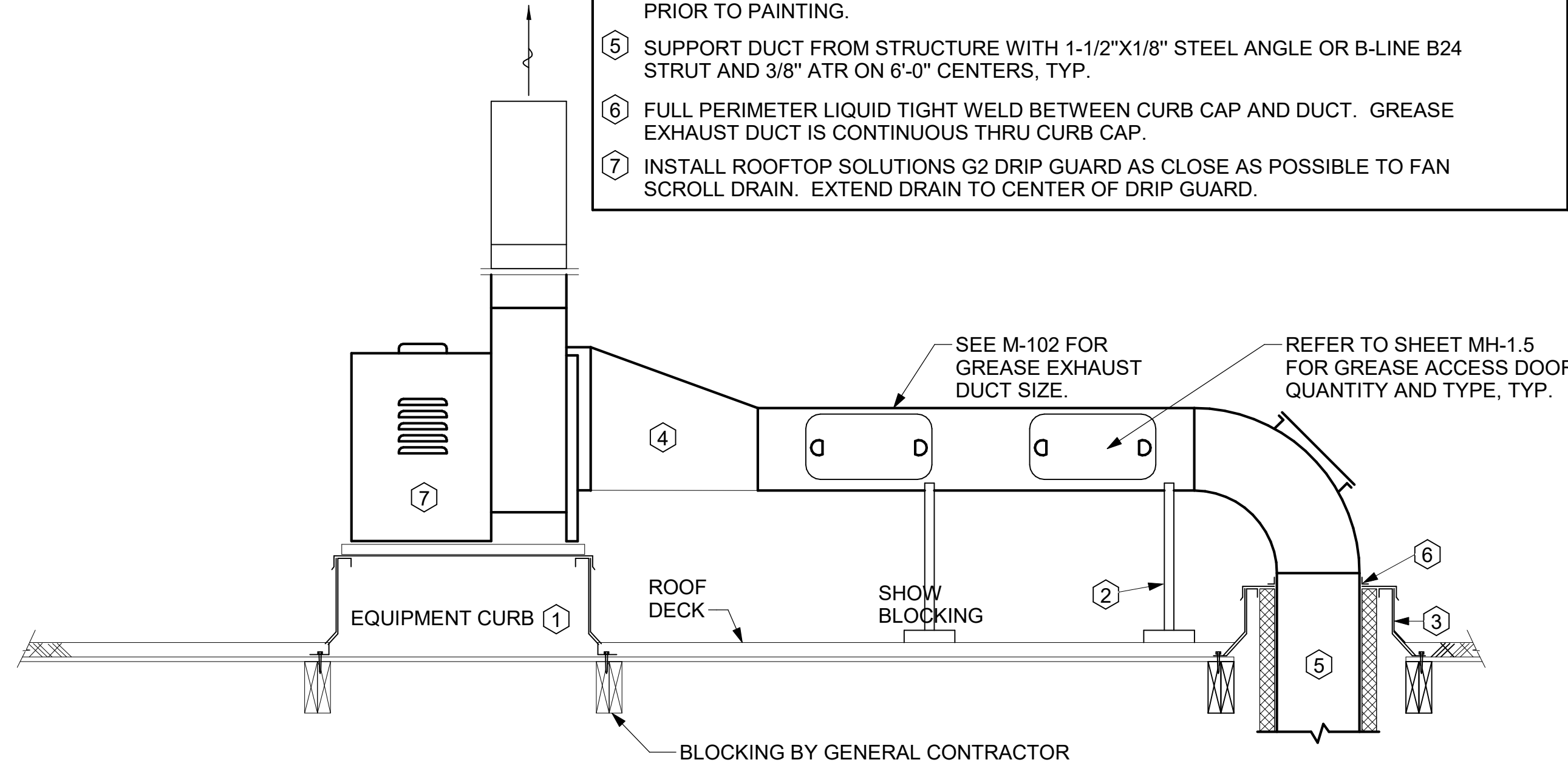
TURNING VANE SCHEDULE		
R	SP	GA
2"	1.5"	24

- NO TRAILING EDGE.
- SINGLE THICKNESS CONSTRUCTION.

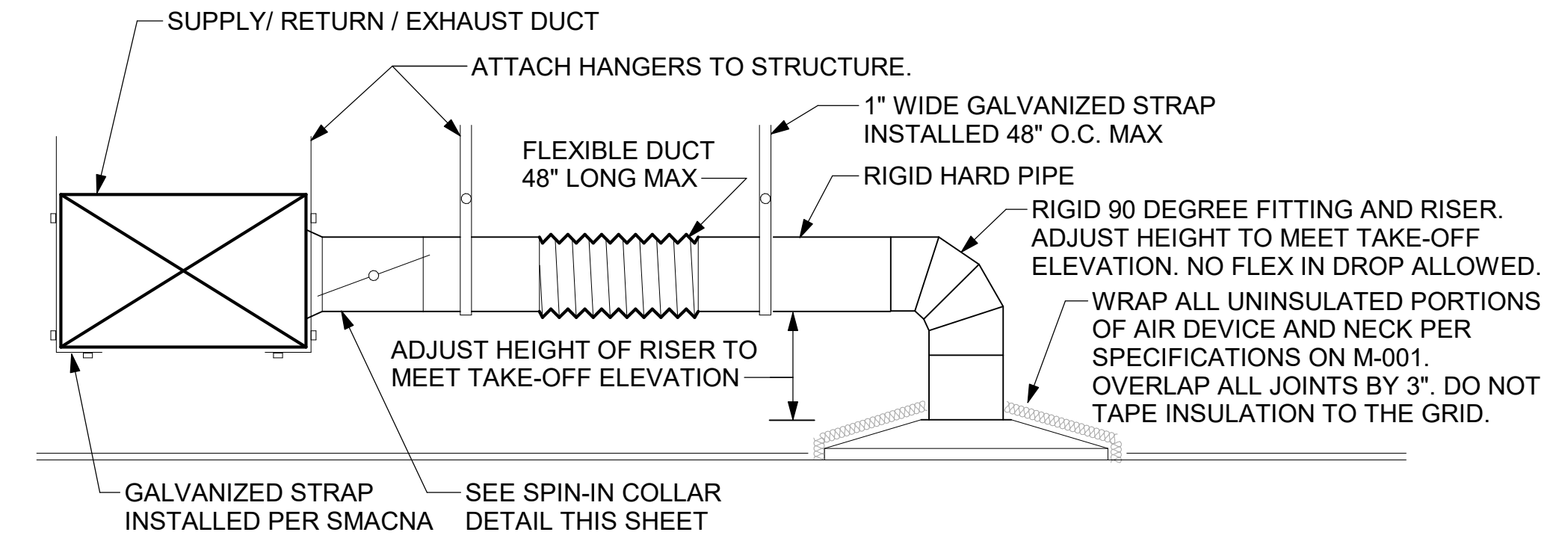


4 TURNING VANES
 NOT TO SCALE

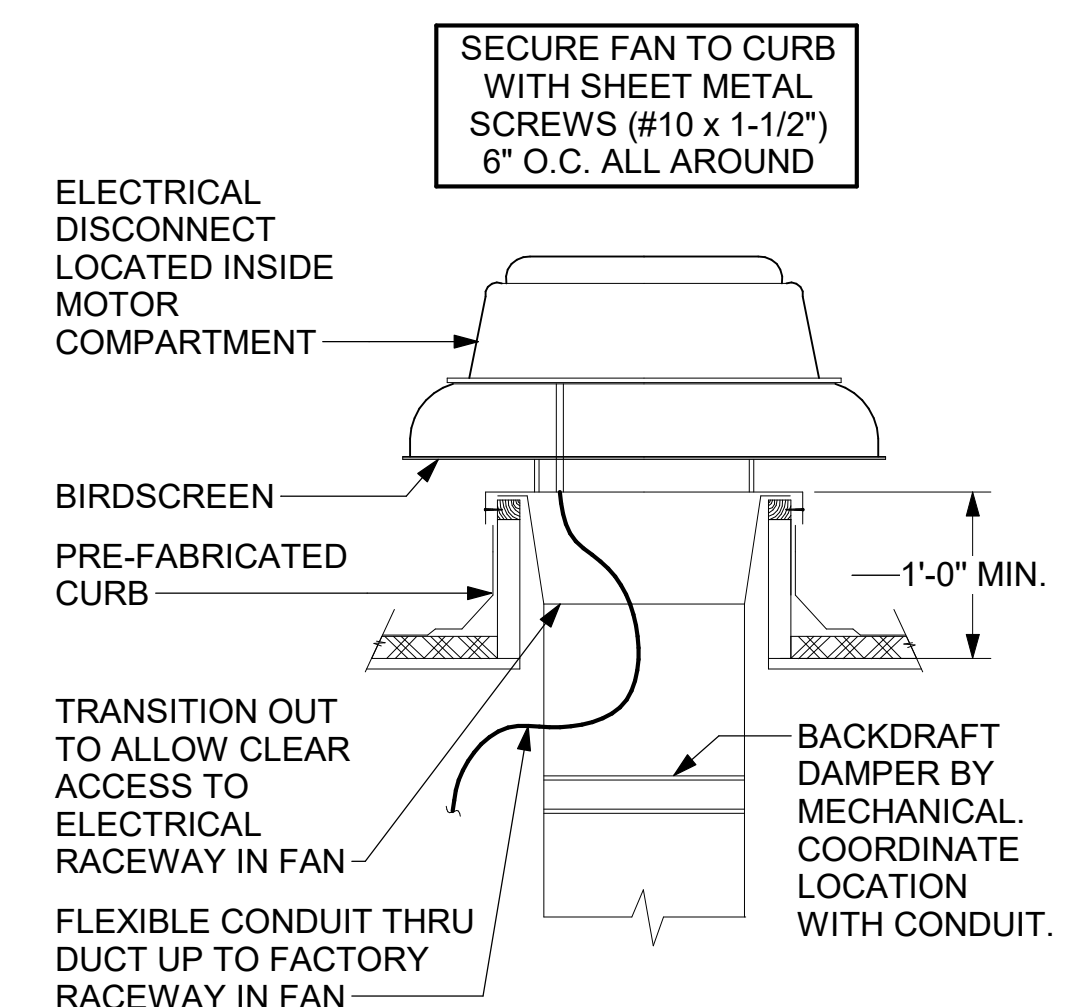
- KEYED NOTES:
- EQUIPMENT CURB FURNISHED BY HALTON.
 - DUCT SUPPORT SHALL BE PROVIDED EVERY 8', AND WITHIN 12" OF ANY FITTING OR WELD SEAM. SUPPORTS SHALL BE SECURELY ATTACHED TO THE STRUCTURE AND DESIGNED TO CARRY GRAVITY, WIND, AND SEISMIC LOADS PER CODE.
 - 12" HIGH INSULATED CURB FURNISHED BY HALTON. MECHANICAL CONTRACTOR TO PROVIDE MINIMUM 18 GA STAINLESS STEEL CURB CAP AND FLASHING.
 - ALL DUCTWORK AND UNFINISHED METAL ON ROOF EXCEPT STAINLESS SHALL BE PREPARED WITH TWO COATS OF SHERWIN WILLIAMS B66-200 SERIES DTM WHITE ACRYLIC SEMI-GLOSS INDUSTRIAL MAINTENANCE COATING. DEGREASE AND PRIME BARE METAL SURFACE WITH ONE COAT OF SHERWIN WILLIAMS DTM ACRYLIC PRIMER PRIOR TO PAINTING.
 - SUPPORT DUCT FROM STRUCTURE WITH 1-1/2"x1/8" STEEL ANGLE OR B-LINE B24 STRUT AND 3/8" ATR ON 6'-0" CENTERS, TYP.
 - FULL PERIMETER LIQUID TIGHT WELD BETWEEN CURB CAP AND DUCT. GREASE EXHAUST DUCT IS CONTINUOUS THRU CURB CAP.
 - INSTALL ROOFTOP SOLUTIONS G2 DRIP GUARD AS CLOSE AS POSSIBLE TO FAN SCROLL DRAIN. EXTEND DRAIN TO CENTER OF DRIP GUARD.



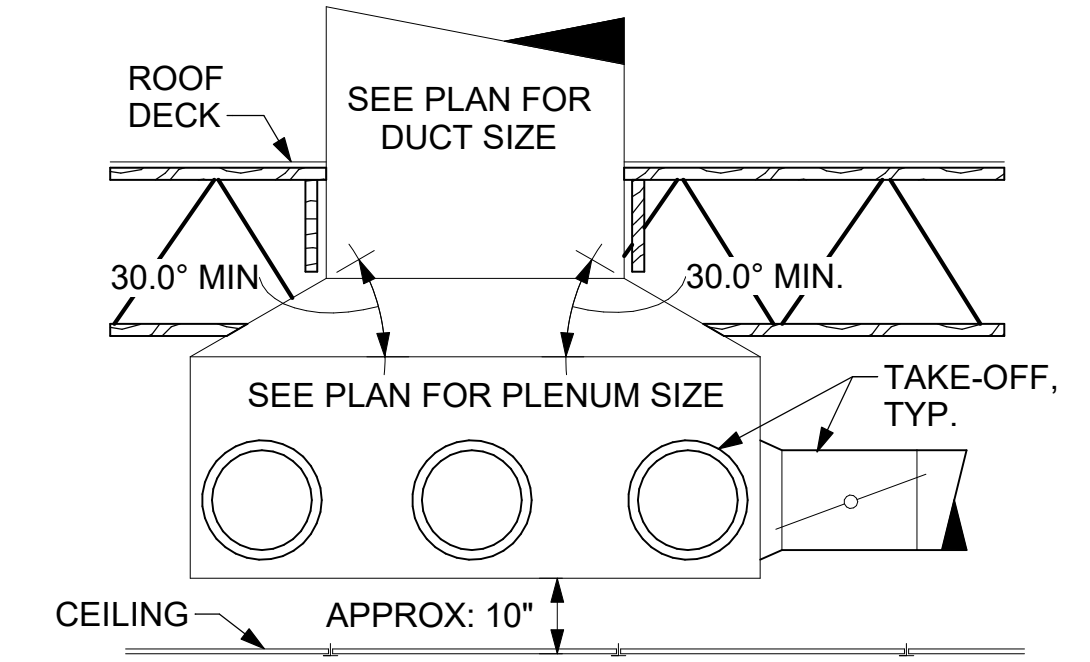
6 KITCHEN HOOD EXHAUST FANS
 NOT TO SCALE



1 SAG/RAG/GRILLE TAKE-OFF
 NOT TO SCALE

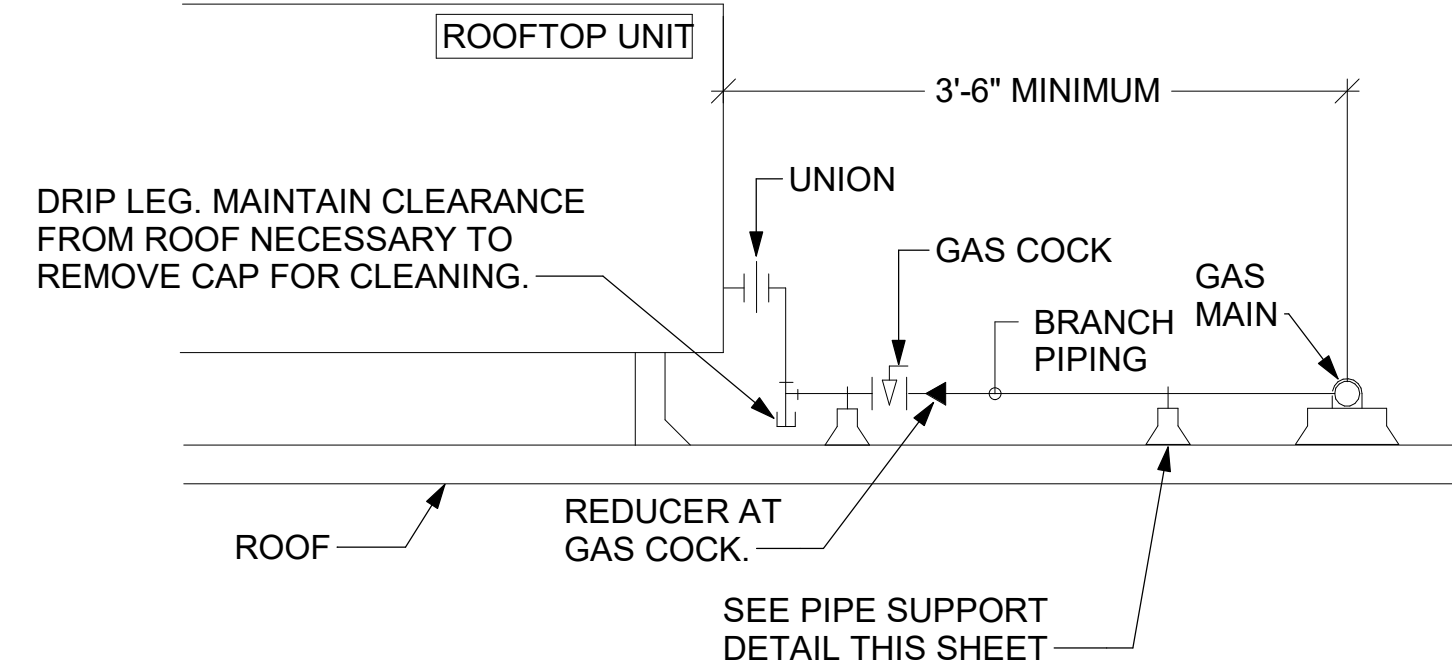


3 RESTROOM EXHAUST FAN
 NOT TO SCALE



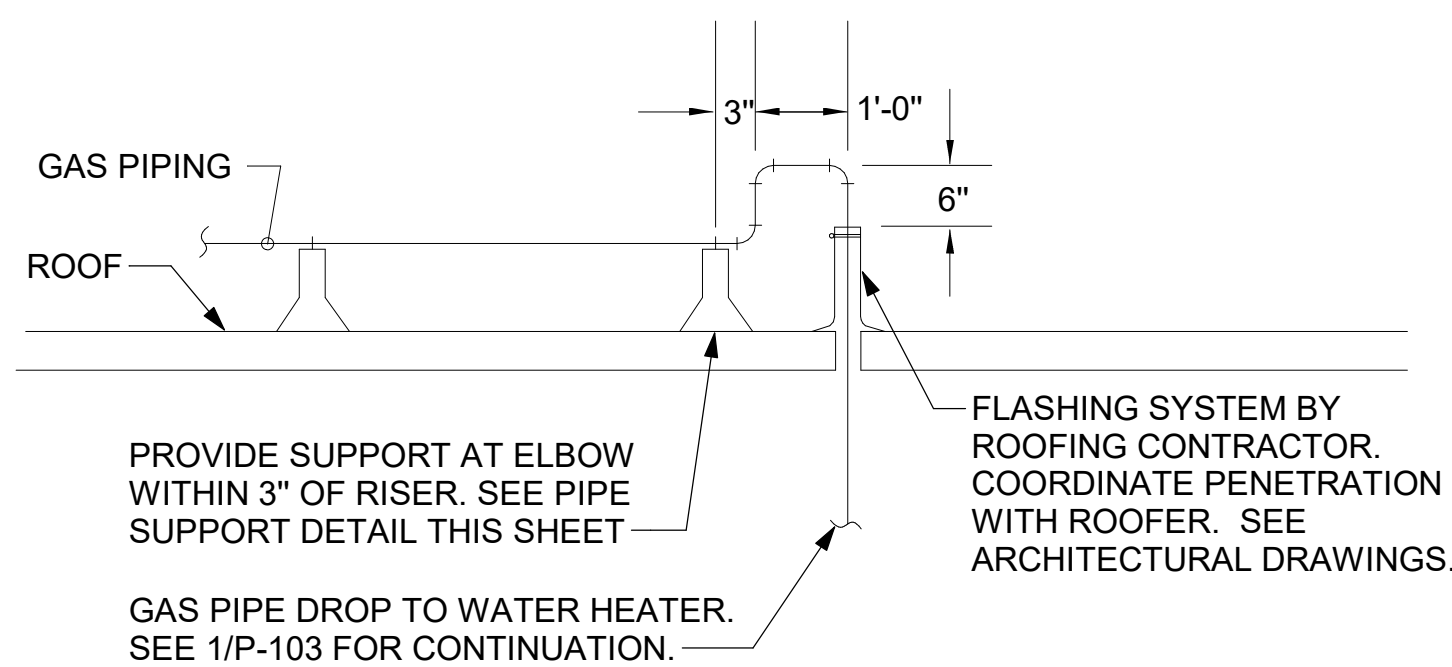
5 RETURN DROP GEOMETRY
 NOT TO SCALE

- NOTES:**
1. INSTALL GAS PIPING SUCH THAT HVAC EQUIPMENT ACCESS PANELS AND/OR DOORS ARE IN NO WAY OBSTRUCTED BY PIPING, VALVES, OR SUPPORTS.
 2. TO AVOID CONFLICT WITH AC UNIT ACCESS DOORS, INSTALL GAS PIPING NO CLOSER THAN 3'-6" FROM AC UNIT. (EXCEPT FOR BRANCH LINE CONNECTED TO AC UNIT.)
 3. ROUTE BRANCH TAKE-OFF DIRECTLY FROM MAIN TO ROOFTOP UNIT AS SHOWN ON PLAN AND DETAILS WITHOUT LATERAL OFFSETS WHICH MAY OBSTRUCT UNIT ACCESS DOORS.

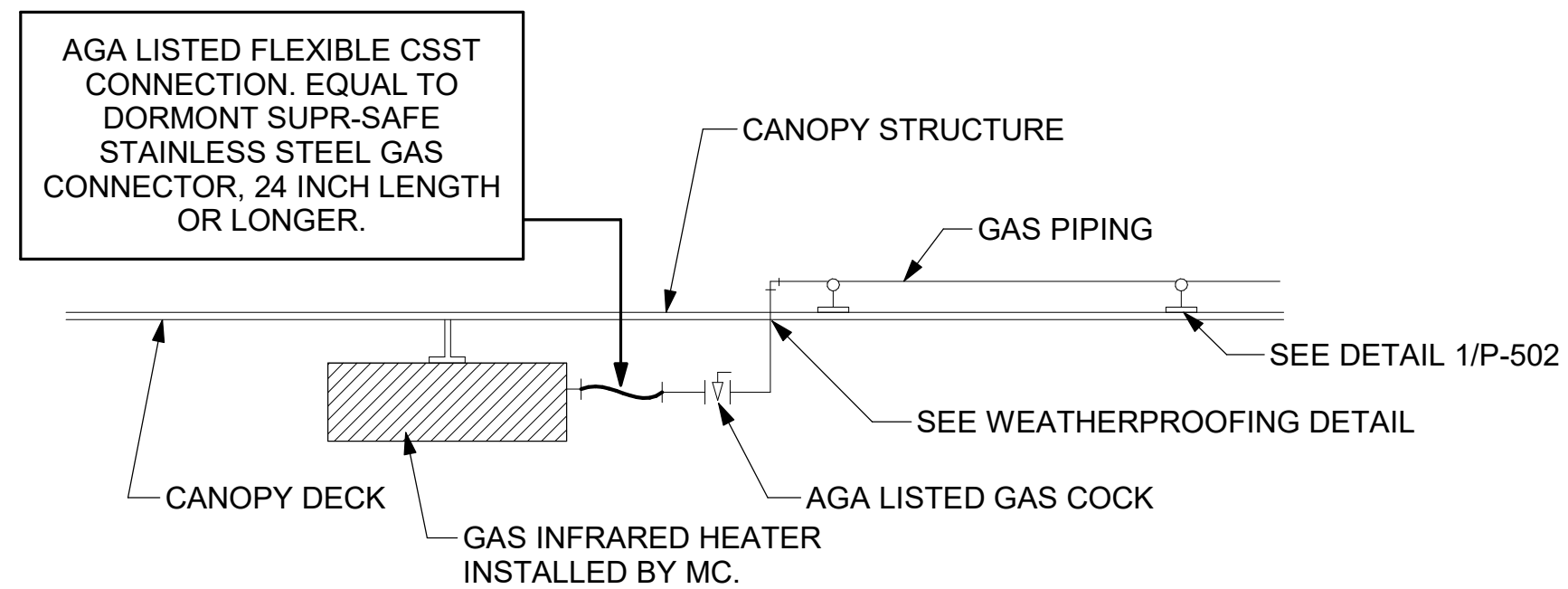


3 GAS PIPING AT RTU
NOT TO SCALE

OFFSET PIPING A MINIMUM OF 6" ABOVE TOP EDGE OF FLASHING.

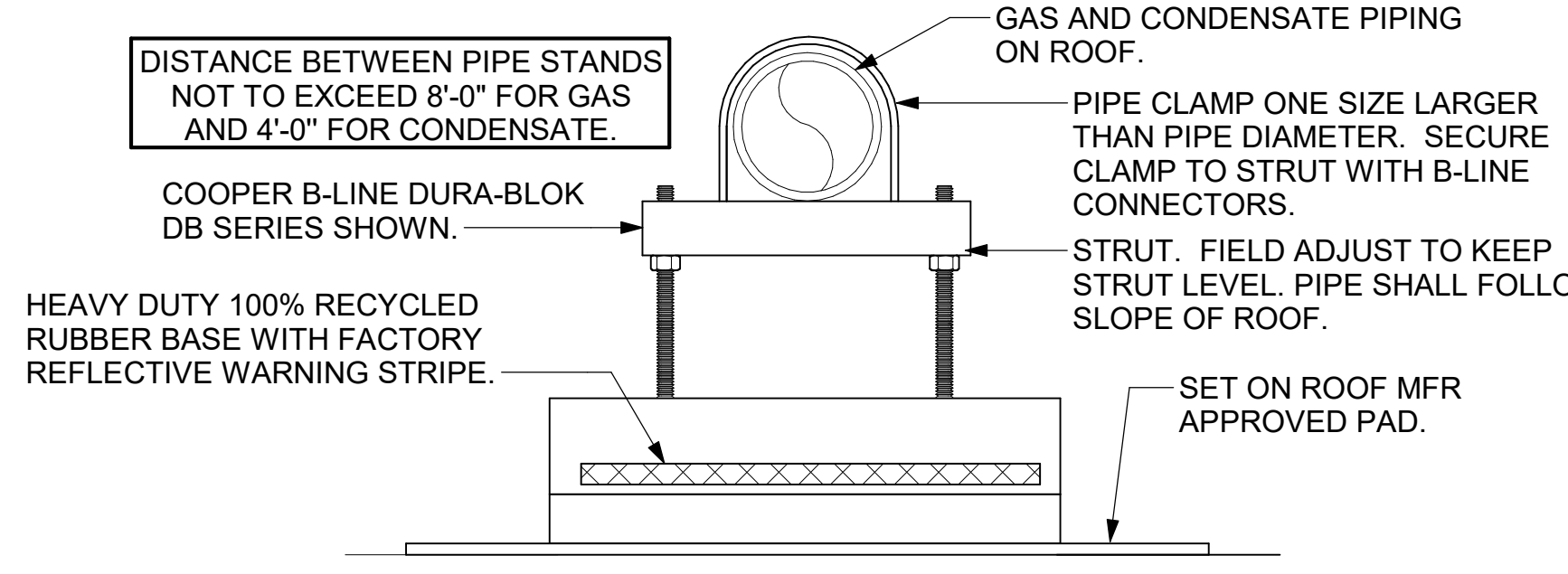


2 GAS PIPE DROP TO WATER HEATER
NOT TO SCALE

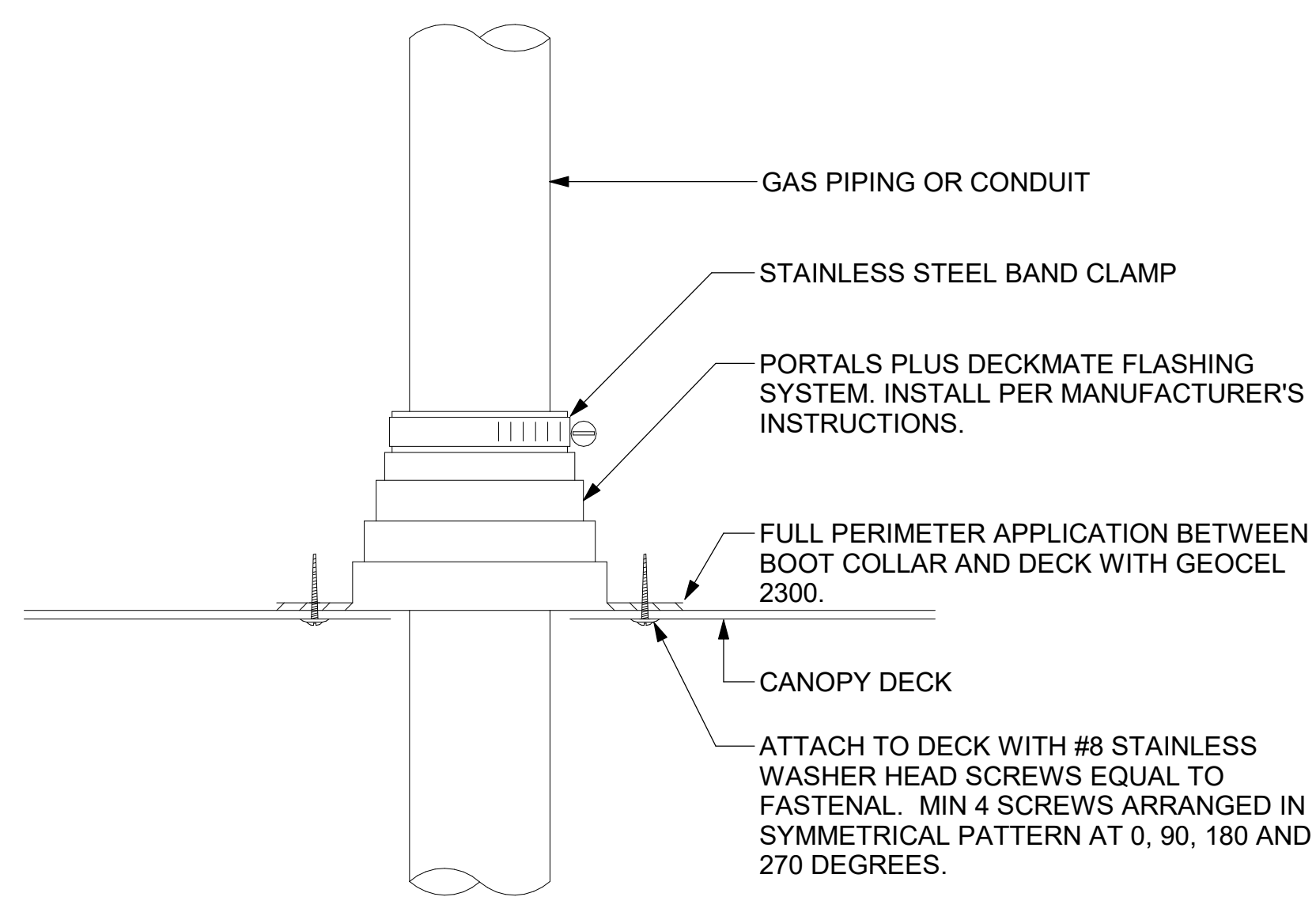


1 GAS CONNECTION AT APPLIANCE
NOT TO SCALE

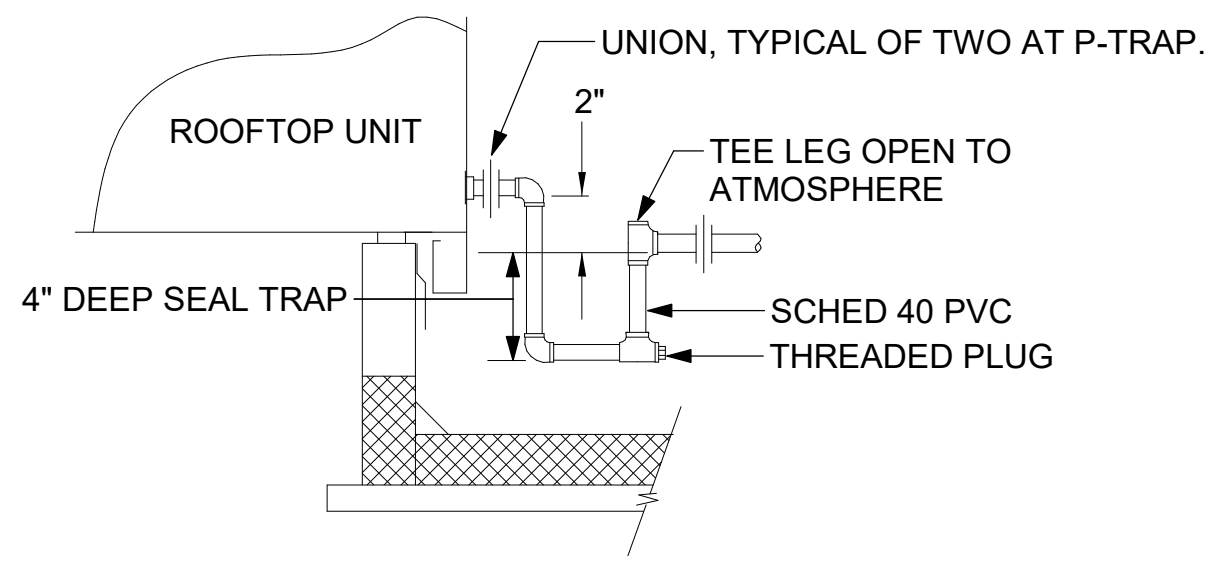
- NOTES:**
1. NON ADJUSTABLE MODEL DB610 PIPE STAND TO BE USED FOR NON-ELEVATED PIPING INSTALLED FLAT ON ROOF DECK.
 2. PROVIDE MODEL DBE 10-8 OR DBE 10-12 OR DBE 10-16 AS NEEDED FOR ELEVATING CONDENSATE PIPING TO MAINTAIN PROPER SLOPE AND FOR GAS PIPING CROSSING OVER CONDENSATE PIPING.
 3. ENSURE GAS AND CONDENSATE PIPING DO NOT OBSTRUCT ROOFTOP EQUIPMENT ACCESS OPENINGS. RE-PIPING OF SYSTEMS DUE TO CONFLICTS WITH EQUIPMENT ACCESS OPENINGS SHALL BE DONE AT PLUMBING CONTRACTOR'S EXPENSE.



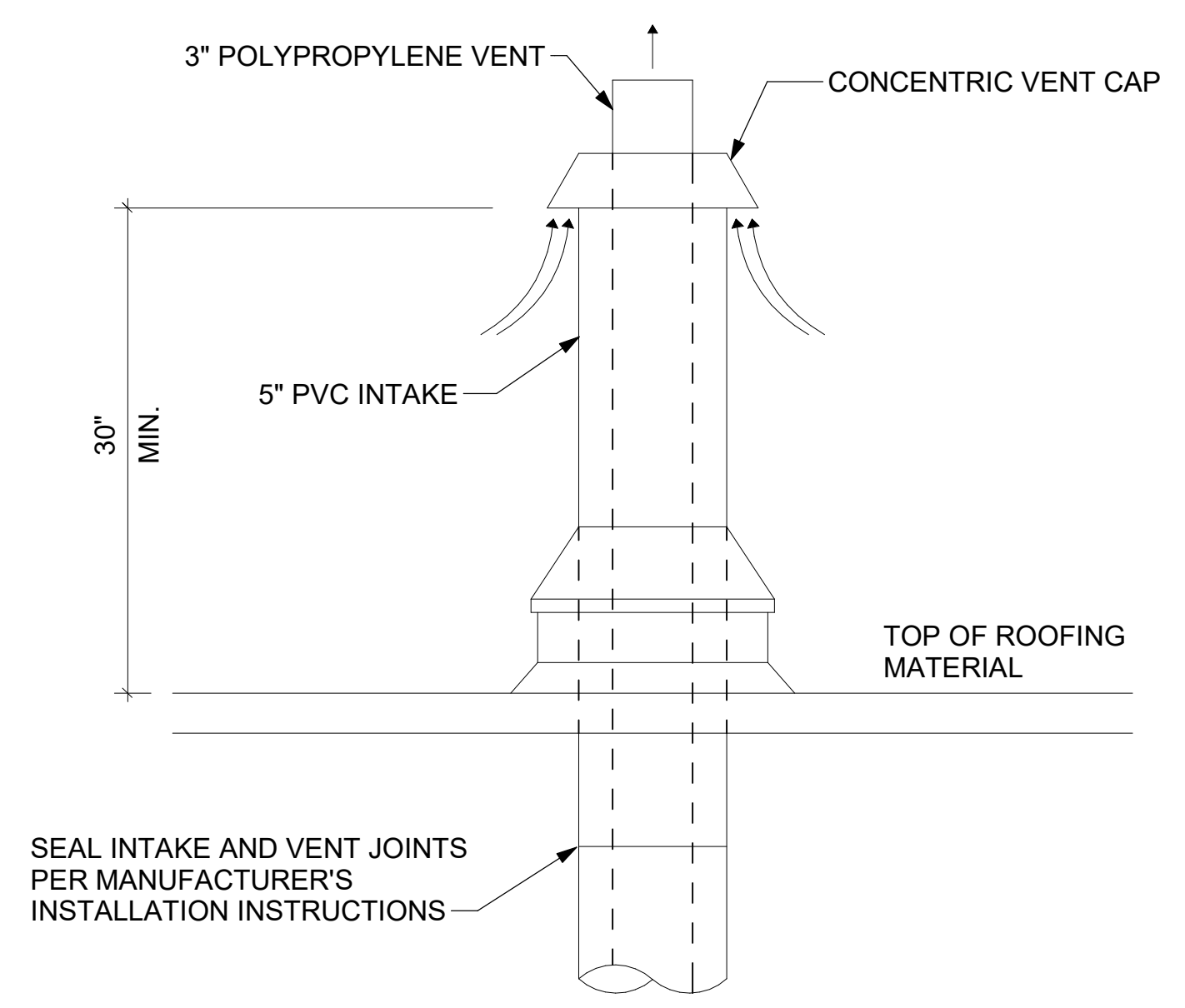
4 PIPING SUPPORT ON ROOF
NOT TO SCALE



6 WEATHERPROOFING AT CANOPY PENETRATION
NOT TO SCALE



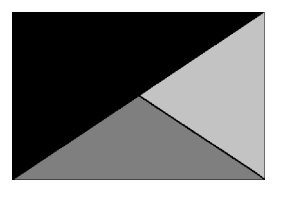
5 CONDENSATE DRAIN PIPING
NOT TO SCALE



7 WATER HEATER VENT ROOF PENETRATION
NOT TO SCALE



Chick-fil-A
Chick-fil-A
5200 Buffington Road
Atlanta, Georgia
30349-2998



Kurzynske & Associates
2705 Lebanon Pike - Suite One
Nashville, Tennessee 37214
Telephone: (615) 255-5203



07/18/25

CHICK-FIL-A
Oldham Village FSU

1025 SW Jefferson St
Lee's Summit, MO 64081

FSR#05248

BUILDING TYPE / SIZE: P14 LSR BN
RELEASE: 23.09
PRINTED FOR:
ISSUE FOR CONSTRUCTION

REVISION SCHEDULE

NO.	DATE	DESCRIPTION
1	07/18/25	ISSUE FOR CONSTRUCTION

CONSULTANT PROJECT # 24137.CD.S
DATE 07/18/2025
DRAWN BY BLM

Information contained on this drawing and in all digital files produced for above named project may not be reproduced in any manner without express written or verbal consent from authorized project representatives.

SHEET DETAILS

SHEET NUMBER

M-502

ISSUE FOR CONSTRUCTION

ROOFTOP UNIT SCHEDULE - TRANE

MARK	TOTAL COOLING MBH	SENSIBLE COOLING MBH	HEATING INPUT MBH	HEATING OUTPUT MBH	SUPPLY (CFM)	OA (CFM)	HP	ESP (in-wg)	EER	IEER/SEER	VOLTAGE (V)	PHASE	MCA (A)	MOCP (A)	MODEL	MANUFACTURER	REMARKS
AC#1	267.9	189.8	400	324	8,125	1,750	3	0.8	9.8	13	208	3	124	150	YSK300A3S	TRANE	1,3,4,5,6,7,8,9,10,11,12,13,14,15
AC#2	140.8	100.7	250	202.5	4,375	1,075	4.6	0.8	10.8	14	208	3	73	100	YSK150A3S	TRANE	1,3,4,5,6,7,8,9,10,11,12,13,14,15
AC#3	178.7	130.4	400	324	5,250	1,275	3	0.8	10.8	14	208	3	85	110	YSK180A3S	TRANE	2,3,4,5,6,7,8,9,10,11,12,13,14,15
AC#4	59.4	42.2	150	121.5	1,750	425	3	0.8	13	16.4	208	3	34	45	YHK060A3S	TRANE	2,3,4,5,6,7,8,9,10,11,12,13,14,15

NOTES

- MECHANICAL CONTRACTOR TO VERIFY TRANE SUBMITTAL WITH CONSTRUCTION DOCUMENTS. NATIONAL ACCOUNTS - NO SUBSTITUTIONS PERMITTED - SEE DRAWING G-004.

REMARKS

- DIFFERENTIAL ENTHALPY ECONOMIZER WITH POWER EXHAUST.
- DIFFERENTIAL ENTHALPY ECONOMIZER WITH BAROMETRIC EXHAUST.
- 14" HIGH ROOF CURB.
- SEE DETAIL 2/M-701 FOR SETTING OF CONTROL PARAMETERS BY MC.
- FACTORY INSTALLED 115V GFI SERVICE OUTLET. SEPERATE 115V CIRCUIT PROVIDED BY ELECTRICAL CONTRACTOR.
- FACTORY INSTALLED RETURN AIR SMOKE DETECTOR.
- PROVIDE FACTORY HIGH FAULT (65K) SCRR WITH FACTORY CIRCUIT BREAKER.
- 2" MERV 8 THROW AWAY FILTERS.
- HINGED PANELS FOR ACCESS TO FILTER(S), FAN BLOWER & MOTOR, COMPRESSOR(S) ACCESS AND CONTROLS.
- FACTORY INSTALLED COIL HAIL GUARD.
- FACTORY INSTALLED CONDENSATE PAN DRAIN OVERFLOW SWITCH.
- HOT GAS DEHUMIDIFICATION OPTION WITH WALL MOUNTED HUMIDITY SENSOR.
- FACTORY INSTALLED BELT TENSIONER.
- FACTORY CONFIGURED PHASE LOSS PROTECTION.
- FACTORY FRESH AIR TEMPERING KIT.

HOOD SCHEDULE

MARK	EXHAUST CFM	SP @ TAB PORT (in-wg)	CAPTURE JET CFM & S.P.	TYPE	COLLAR SIZE	WIDTH	DEPTH	HEIGHT	MANUFACTURER	MODEL	REMARKS
HOOD#1L	709	0.13	47 @ 0.30"	BACKSHELF	8"X8"	63"	37"	38"	HALTON	KVL-2-IC	1
HOOD#1R	1,204	0.13	80 @ 0.30"	BACKSHELF	14"X8"	107"	37"	38"	HALTON	KVL-2-IC	1
HOOD#2	701	0.3	30 @ 0.29"	BACKSHELF	8"X8"	42"	34"	38"	HALTON	KVL-C-IC	1
HOOD#3	701	0.3	30 @ 0.29"	BACKSHELF	8"X8"	42"	34"	38"	HALTON	KVL-C-IC	1

NOTES

- DIMENSIONS OF HOODS INCLUDE BACK AND SIDE SPACERS (HEIGHT DOES NOT INCLUDE CLOSURE PANELS). NATIONAL ACCOUNTS - NO SUBSTITUTIONS PERMITTED - SEE DRAWING G-004.

REMARKS

- REFER TO HOOD SHOP DRAWINGS FOR HOOD CONSTRUCTION AND OPTIONS. PRELIMINARY HOOD SHOP DRAWINGS ARE INCLUDED FOR REFERENCE ON SHEETS MH-1.1 AND MH-1.2.

HEATER SCHEDULE

MARK	HEATING INPUT		FRAME LENGTH	FRAME WIDTH	FRAME DEPTH	MOUNTING TYPE	VOLTAGE (V)	PHASE	FLA (A)	MOCP (A)	MODEL	MANUFACTURER	REMARKS
	ELECTRIC (KW)	GAS (MBH)											
EIH#1	6.00	0.0	56"	8.5"	3.5"	WALL BRACKET	208	1	29	40	BH0420035	BROMIC	1,2,3
IRH	0.00	50.0	48"	13.4"	9.7"	BRACKET	120	1	0	0	WB50-N7-CM	SPACE RAY	5,6,7

NOTES

- NATIONAL ACCOUNT NO SUBSTITUTIONS PERMITTED - SEE DRAWING G-004.
- CONFIRM HEATER QUANTITY WITH CANOPY SHOP DRAWINGS.

REMARKS

- STAINLESS STEEL LENS WITH BLACK EMISSIVE COATING.
- PROVIDE ENGRAVED PLASTIC LABEL AT EACH UNIT WITH UNIT DESIGNATION IN 1" HIGH WHITE LETTERS ON A BLACK BACKGROUND.
- PROVIDE BLACK HEATER WITH HIGH TEMPERATURE COATING, AND MANUFACTURER MOUNTING BRACKETS.
- NOT USED.
- STEEL BURNER WITH CERAMIC BURNER TILES.
- PROVIDE ENGRAVED PLASTIC LABEL AT EACH UNIT WITH UNIT DESIGNATION IN 1" HIGH WHITE LETTERS ON A BLACK BACKGROUND. MOUNT TO CANOPY DECK, FACING FORWARD, 12" Laterally FROM THE LONG SIDE OF THE HEATER.
- STAINLESS STEEL HEAT SHIELDS PROVIDED BY TOM BARROW COMPANY.

FAN SCHEDULE

MARK	FAN CFM	ESP (in-wg)	MOTOR RPM	HP	AREA SERVED	VOLTAGE (V)	PHASE	FLA (A)	MOCP (A)	MODEL	MANUFACTURER	REMARKS
CF-1	1,900	0.01	1,625	0.1	OUTDOOR CANOPY	120	1	1.1	20	U-18-TE-HD	TPI	20,21,24
EF#1	1,913	0.75	1,331	0.75	HOOD#1	120	1	13.8	25	KEFB-14-CFA	HALTON	1,2,3,4,5,6,7,8,9,10,11
EF#2	1,402	0.95	1,199	0.75	HOOD#2 & HOOD#3	120	1	13.8	25	KEFB-14-CFA	HALTON	1,2,3,4,5,6,7,8,9,10,11
EF#3	300	0.375	1,550	0.125	RESTROOMS	120	1	2.2	20	XRED-095-VG	ACCUREX	1,3,11,12,13,14,15,16
TF#1	450	0.3	1,144	0.127	TECH CLOSET	120	1	2.5	20	SP-A510-VG	GREENHECK	1,17,18,19

NOTES

- GREASE EXHAUST FAN RPM BASED ON 80 DEGREE F AIR AT 1000 FEET ABOVE SEA LEVEL.

REMARKS

- FANS SUPPLIED BY HALTON.
- U.L. 705 LISTED AND LABELED FOR RESTUARANT APPLICATIONS.
- FACTORY INSTALLED PREWIRED DISCONNECT SWITCH.
- 22" HIGH ROOF CURB.
- INSTALL ROOFTOP SOLUTIONS G2 DRIP GUARD. MECHANICAL CONTRACTOR TO CONTACT ROOFTOP SOLUTIONS AT 800-913-7034.
- FACTORY WEATHER HOUSING W/ HINGED ACCESS DOOR.
- FACTORY DRAIN CONNECTION.
- FACTORY BOLTED ACCESS DOOR ON SCROLL.
- FACTORY INSTALLED BELT DRIVE WITH ADJUSTABLE MOTOR SHEAVE, SPARE BELT, AND BELT TENSIONER.
- FACTORY INSTALLED OUTLET WITH QUICK RELEASE, HINGED ACCESS, AND GRAVITY BACKDRAFT DAMPER.
- INTEGRAL THERMAL OVERLOAD.
- BIRDSCREEN.
- BACKDRAFT DAMPER IN DUCT BY MECHANICAL CONTRACTOR AS SHOWN ON 5/M-501.
- STARTER BY ELECTRICAL CONTRACTOR. INTERLOCK WITH LIGHTS BY ELECTRICAL CONTRACTOR.
- 12" HIGH CURB.
- FACTORY INSTALLED AND WIRED SPEED CONTROLLER.
- PROVIDE NEMA 1 PREWIRED DISCONNECT.
- INTEGRAL POTENTIOMETER ON FAN MOTOR. SET TO FULL SPEED.
- PROVIDE THERMOSTAT / TEMPERATURE CONTROLLER, SET TO 76°F.
- INSTALL PER MANUFACTURER'S RECOMMENDATIONS.
- PROVIDE WITH ON/OFF SWITCH.
- FAN SHALL BE CONTROLLED WITH THE ROOM LIGHTING. ALL WIRING IS BY THE ELECTRICAL CONTRACTOR.
- DIRECT DRIVE CEILING FAN. PROVIDE DISCONNECT SWITCH. INTEGRAL BACKDRAFT DAMPER, AND MANUFACTURER'S FAN SPEED CONTROLLER.
- FAN SUPPLIED BY TOM BARROW.

AIR DOOR SCHEDULE

MARK	CFM	VELOCITY (FPM)	HEATING (KW)	MOTOR HP	MCA (A)	MOCP (A)	VOLTAGE (V)	PHASE	AREA SERVED	MODEL	MANUFACTURER	REMARKS
AD#1	1,543	2,338	10	0.75	42	45	208	3	DRIVE THRU	CHA-1-48E	POWERED AIRE	1,2,3,5
AD#3	3,867	4,218	0	0.75	10	15	120	1	REAR DOOR	RBT-1-48	POWERED AIRE	4

NOTES

- NATIONAL ACCOUNT - NO SUBSTITUTIONS PERMITTED - SEE DRAWING G-004

REMARKS

- FACTORY PROVIDED, WIRED, AND UNIT MOUNTED SPEED CONTROLLER ABOVE CEILING.
- FACTORY WIRED DISCONNECT.
- FACTORY PROVIDED, FIELD INSTALLED BY MC, REMOTE WALL SWITCHES FOR HEATING ON/OFF AND FAN ON/AUTO SWITCH. SEE DETAILS ON M-702.
- FACTORY PROVIDED MAGNETIC DOOR CONTACT WITH FACTORY INSTALLED LOW VOLTAGE CONTROLS LOCATED IN AIR DOOR CABINET.
- PROVIDE WITH A DIVERTER BOX. PROVIDE WITH MOUNTING BRACKETS PER MANUFACTURER'S RECOMMENDATIONS.

AIR DEVICE SCHEDULE

MARK	DESCRIPTION	LOCATION	NECK SIZE	FACE SIZE	FRAME TYPE	REMARKS
A	PRICE MODEL APDC ALUMINUM SUPPLY AIR DIFFUSER WITH INDIVIDUALLY ADJUSTABLE CURVED AIR PATTERN CONTROLLERS.	ENTIRE BUILDING	VARIES	24"x24"	LAY-IN	1,7
B	VARITHERM PLAQUE DIFFUSER	OFFICE	8"	24"x24"	LAY-IN	1,7,8
C	PRICE MODEL SMCD STEEL SUPPLY AIR DIFFUSER FIELD ADJUSTABLE AIR PATTERN CONTROLLERS.	ENTRY	14"x14"	19"x19"	BEVELLED	1,3,5,6
D	PRICE MODEL APDC ALUMINUM SUPPLY AIR DIFFUSER WITH INDIVIDUALLY ADJUSTABLE CURVED AIR PATTERN CONTROLLERS.	DINING/ KITCHEN	VARIES	16"x16"	LAY-IN	1,2,3,5,6
E	PRICE MODEL 22 DOUBLE DEFLECTION ALUMINUM SIDEWALL SUPPLY GRILLE, FRONT BLADE PARALLEL TO LONG SIDE.	PLAY AREA	16"x10"	18"x12"	SURFACE	1
F	PRICE MODEL 80 EGGCRATE RETURN AIR GRILLE WITH REMOVABLE WHITE CORE, FACTORY FLAT BLACK BACKPAN AND ROUND NECK.	DINING/ OFFICE/ KITCHEN	VARIES	24"x24"	LAY-IN	1,7
J	PRICE MODEL SMCD STEEL SUPPLY AIR DIFFUSER FIELD ADJUSTABLE AIR PATTERN CONTROLLERS.	RESTROOMS	10"x10"	15"x15"	BEVELLED	1,3,4,5,6
K	PRICE MODEL APDDR ALUMINUM PERFORATED FACE RETURN AIR GRILLE.	RESTROOMS/ ENTRY	14"x14"	16"x16"	SURFACE	1,4,5,6
L	PRICE MODEL 21 ALUMINUM SIDEWALL RETURN GRILLE, FRONT BLADE PARALLEL TO LONG SIDE.	PLAY AREA	14"x14"	16"x16"	SURFACE	1

NOTES

- NATIONAL ACCOUNT - NO SUBSTITUTIONS PERMITTED - SEE DRAWING G-004

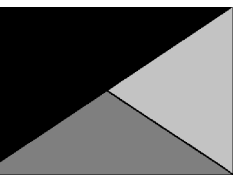
REMARKS

- STANDARD OFF WHITE FINISH.
- PROVIDE PRICE MODEL AMF SURFACE MOUNT FRAME.
- SEE DRAWING M-101 FOR THROW.
- FACTORY PROVIDED MODEL VCS3 NECK DAMPER AND FIELD INSTALLED RECTANGULAR TO ROUND TRANSITION.
- PROVIDE BACKPAN. MC TO SEAL JOINTS WITH MASTIC AND INSULATE EXTERNALLY.
- FIELD INSULATE BACKPAN AS SHOWN ON DETAIL 1/M-501.
- FACTORY INSULATED R-6 BACKPAN.
- PROVIDE RELIEF COLLAR ACCESSORY FOR VAV DIFFUSER.



Chick-Fil-A

Chick-Fil-A
5200 Buffington Road
Atlanta, Georgia
30349-2998



Kurzynske
& Associates
2705 Lebanon Pike - Suite One
Nashville, Tennessee 37214
Telephone: (615) 255-5203



07/18/25

CHICK-FIL-A
Oldham Village FSU

1025 SW Jefferson St
Lee's Summit, MO 64081

FSR#05248

BUILDING TYPE / SIZE: P14 LSR BN
RELEASE: 23.09
PRINTED FOR

ISSUE FOR CONSTRUCTION

NO.	DATE	DESCRIPTION
1	07/18/25	ISSUE FOR CONSTRUCTION

ISSUE FOR CONSTRUCTION

CONSULTANT PROJECT # 24137.CD.S
DATE 07/18/2025
DRAWN BY BLM

Information contained on this drawing and in all digital files produced for above named project may not be reproduced in any manner without express written or verbal consent from authorized project representatives.

SHEET HVAC EQUIPMENT SCHEDULES - TRANE

SHEET NUMBER

M-601

VENTILATION SCHEDULE

General		Ventilation													Exhaust					Served by		
Room #	Room Name	Area Az ft2	People			Area			Breathing Zone Outdoor Airflow CFM Vbz	Zone Air Distribution Effectiveness Ez	Zone Outdoor Airflow CFM Voz	Primary Zone Airflow CFM Vpz	Primary Outdoor Air Fraction Zp	Actual Outdoor Airflow CFM	Area		Toilet			Supply	Exhaust	
			Occupant Density People/1,000 ft2	Occupants Pz	Outdoor Airflow Rate CFM/Person Rp	Outdoor Airflow CFM Pz x Rp	Outdoor Airflow Rate CFM/R2 Ra	Outdoor Airflow CFM Az x Ra							Required Exhaust Rate CFM/R2	Total Required Exhaust CFM	Exhaust Control/Operation	Fixture Exhaust Rate CFM/Fixture	Required Fixture Exhaust CFM			Actual Exhaust CFM
1	Kitchen	1,245	20	25	7.5	187.5	0.12	149	337	0.8	422	7,700	0.05	1,658	1	872	-	-	-	3,315	AC#1T	EF-1 / EF-2
2	Scullery	126	15	2	7.5	15	0.18	23	38	0.8	48	425	0.11	92	-	-	-	-	-	-	AC#1T	-
Total Area		1,371				Total Vbz			375	Total Supply Airflow			8,125	Actual Outdoor Airflow								
						Diversity (D)			1.00	Maximum Zp			0.11									
						Uncorrected Outdoor Air Intake (Vou)			375	System Ventilation Efficiency (Ev)			1.00									
						Required Outdoor Air Intake (CFM)						375										

VENTILATION SCHEDULE

General		Ventilation													Exhaust					Served by		
Room #	Room Name	Area Az ft2	People			Area			Breathing Zone Outdoor Airflow CFM Vbz	Zone Air Distribution Effectiveness Ez	Zone Outdoor Airflow CFM Voz	Primary Zone Airflow CFM Vpz	Primary Outdoor Air Fraction Zp	Actual Outdoor Airflow CFM	Area		Toilet			Supply	Exhaust	
			Occupant Density People/1,000 ft2	Occupants Pz	Outdoor Airflow Rate CFM/Person Rp	Outdoor Airflow CFM Pz x Rp	Outdoor Airflow Rate CFM/R2 Ra	Outdoor Airflow CFM Az x Ra							Required Exhaust Rate CFM/R2	Total Required Exhaust CFM	Exhaust Control/Operation	Fixture Exhaust Rate CFM/Fixture	Required Fixture Exhaust CFM			Actual Exhaust CFM
5	Meal Fulfillment Area	543	15	9	7.5	67.5	0.18	98	165	0.8	207	4,375	0.05	1,075	-	-	-	-	-	-	AC#2T	-
Total Area		543				Total Vbz			165	Total Supply Airflow			4,375	Actual Outdoor Airflow								
						Diversity (D)			1.00	Maximum Zp			0.04									
						Uncorrected Outdoor Air Intake (Vou)			165	System Ventilation Efficiency (Ev)			1.00									
						Required Outdoor Air Intake (CFM)						165										

VENTILATION SCHEDULE

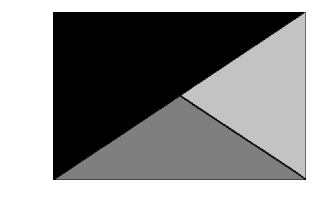
General		Ventilation													Exhaust					Served by		
Room #	Room Name	Area Az ft2	People			Area			Breathing Zone Outdoor Airflow CFM Vbz	Zone Air Distribution Effectiveness Ez	Zone Outdoor Airflow CFM Voz	Primary Zone Airflow CFM Vpz	Primary Outdoor Air Fraction Zp	Actual Outdoor Airflow CFM	Area		Toilet			Supply	Exhaust	
			Occupant Density People/1,000 ft2	Occupants Pz	Outdoor Airflow Rate CFM/Person Rp	Outdoor Airflow CFM Pz x Rp	Outdoor Airflow Rate CFM/R2 Ra	Outdoor Airflow CFM Az x Ra							Required Exhaust Rate CFM/R2	Total Required Exhaust CFM	Exhaust Control/Operation	Fixture Exhaust Rate CFM/Fixture	Required Fixture Exhaust CFM			Actual Exhaust CFM
1	Dining	880	100	88	7.5	660	0.18	158	818	0.8	1023	2940	0.34	714	-	-	-	-	-	-	AC#3T	-
2	Serving	477	15	7	7.5	53	0.12	57	110	0.8	138	980	0.14	238	-	-	-	-	-	-	AC#3T	-
3	Men's RR	173	-	-	-	-	-	-	-	0.8	-	100	-	24	-	-	Continuous	50	100	150	AC#3T	EF-3
4	Women's RR	225	-	-	-	-	-	-	-	0.8	-	135	-	33	-	-	Continuous	50	100	150	AC#3T	EF-3
5	RR Vestibule	115	-	-	-	-	0.06	7	7	0.8	9	115	0.08	28	-	-	-	-	-	-	AC#3T	-
6	Entry Vestibule	64	-	-	-	-	0.06	4	4	0.8	5	300	0.01	73	-	-	-	-	-	-	AC#3T	-
7	Play Area	166	7	1	20	20	0.18	30	50	0.8	63	680	0.09	165	-	-	-	-	-	-	AC#3T	-
Total Area		2,082				Total Vbz			989	Total Supply Airflow			5,250	Actual Outdoor Airflow								
						Diversity (D)			1.00	Maximum Zp			0.34									
						Uncorrected Outdoor Air Intake (Vou)			989	System Ventilation Efficiency (Ev)			0.80									
						Required Outdoor Air Intake (CFM)						1,236										

VENTILATION SCHEDULE

General		Ventilation													Exhaust					Served by		
Room #	Room Name	Area Az ft2	People			Area			Breathing Zone Outdoor Airflow CFM Vbz	Zone Air Distribution Effectiveness Ez	Zone Outdoor Airflow CFM Voz	Primary Zone Airflow CFM Vpz	Primary Outdoor Air Fraction Zp	Actual Outdoor Airflow CFM	Area		Toilet			Supply	Exhaust	
			Occupant Density People/1,000 ft2	Occupants Pz	Outdoor Airflow Rate CFM/Person Rp	Outdoor Airflow CFM Pz x Rp	Outdoor Airflow Rate CFM/R2 Ra	Outdoor Airflow CFM Az x Ra							Required Exhaust Rate CFM/R2	Total Required Exhaust CFM	Exhaust Control/Operation	Fixture Exhaust Rate CFM/Fixture	Required Fixture Exhaust CFM			Actual Exhaust CFM
1	Team Member Room	189	50	10	5	50	0.06	11	61	0.8	76	650	0.12	158	-	-	-	-	-	-	AC#4T	-
2	Riser Room	41	-	-	-	-	0.12	5	5	0.8	7	150	0.05	36	-	-	-	-	-	-	AC#4T	-
3	Service / Beverage	204	-	-	-	-	0.12	25	25	0.8	31	650	0.05	158	-	-	-	-	-	-	AC#4T	-
4	Office	68	5	1	5	5	0.06	4	9	0.8	12	300	0.04	73	-	-	-	-	-	-	AC#4T	-
Total Area		502				Total Vbz			100	Total Supply Airflow			1,750	Actual Outdoor Airflow								
						Diversity (D)			1.00	Maximum Zp			0.12									
						Uncorrected Outdoor Air Intake (Vou)			100	System Ventilation Efficiency (Ev)			1.00									
						Required Outdoor Air Intake (CFM)						100										



Chick-fil-A
 5200 Buffington Road
 Atlanta, Georgia
 30349-2998



Kurzynske & Associates
 2705 Lebanon Pike - Suite One
 Nashville, Tennessee 37214
 Telephone: (615) 255-5203



07/18/25

CHICK-FIL-A
 Oldham Village FSU

1025 SW Jefferson St
 Lee's Summit, MO 64081

FSR#05248

BUILDING TYPE / SIZE: P14 LSR BN
 RELEASE: 23.09
 PRINTED FOR:
 ISSUE FOR CONSTRUCTION

REVISION SCHEDULE

NO.	DATE	DESCRIPTION
1	07/18/25	ISSUE FOR CONSTRUCTION

ISSUE FOR CONSTRUCTION

CONSULTANT PROJECT # 24137.CD.S
 DATE 07/18/2025
 DRAWN BY BLM

Information contained on this drawing and in all digital files produced for above named project may not be reproduced in any manner without express written or verbal consent from authorized project representatives.

SHEET HVAC VENTILATION SCHEDULES

SHEET NUMBER

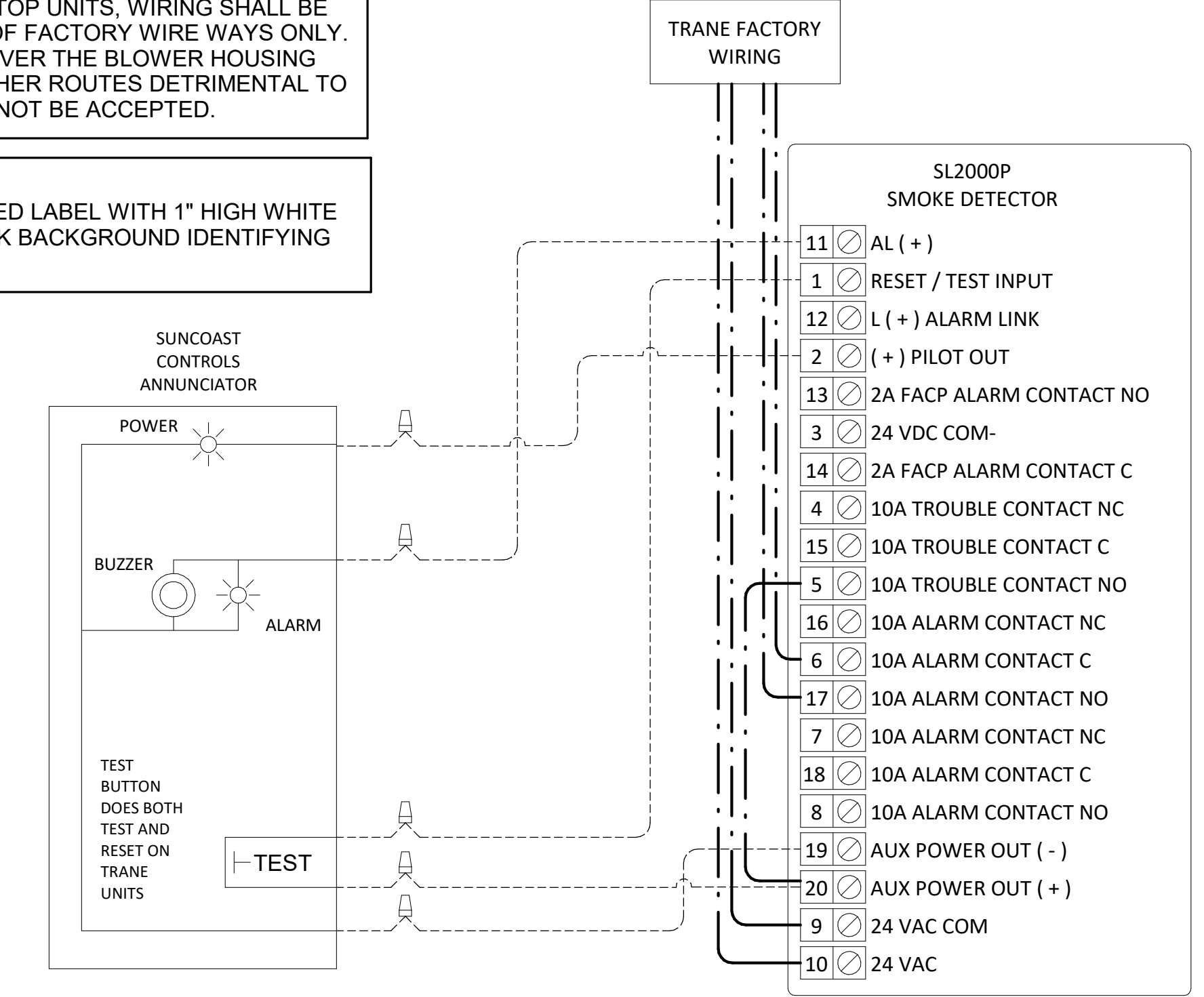
M-602

PROVIDE A PROFESSIONALLY LAMINATED COPY OF THESE DETAILS TO BE INSTALLED INSIDE THE ROOFTOP UNIT CONTROL CABINET. USE A SETON CHART FRAME STYLE #68624, TELEPHONE NUMBER 800-243-6624, FOR MOUNTING THE DETAIL. ATTACH THE FRAME TO THE INTERIOR OF THE UNIT IN PLAIN AND EASY VIEW OF THE CONTROLS SECTION. CONTACT ENGINEER OF RECORD FOR A REPRODUCIBLE COPY OF THE DETAIL.

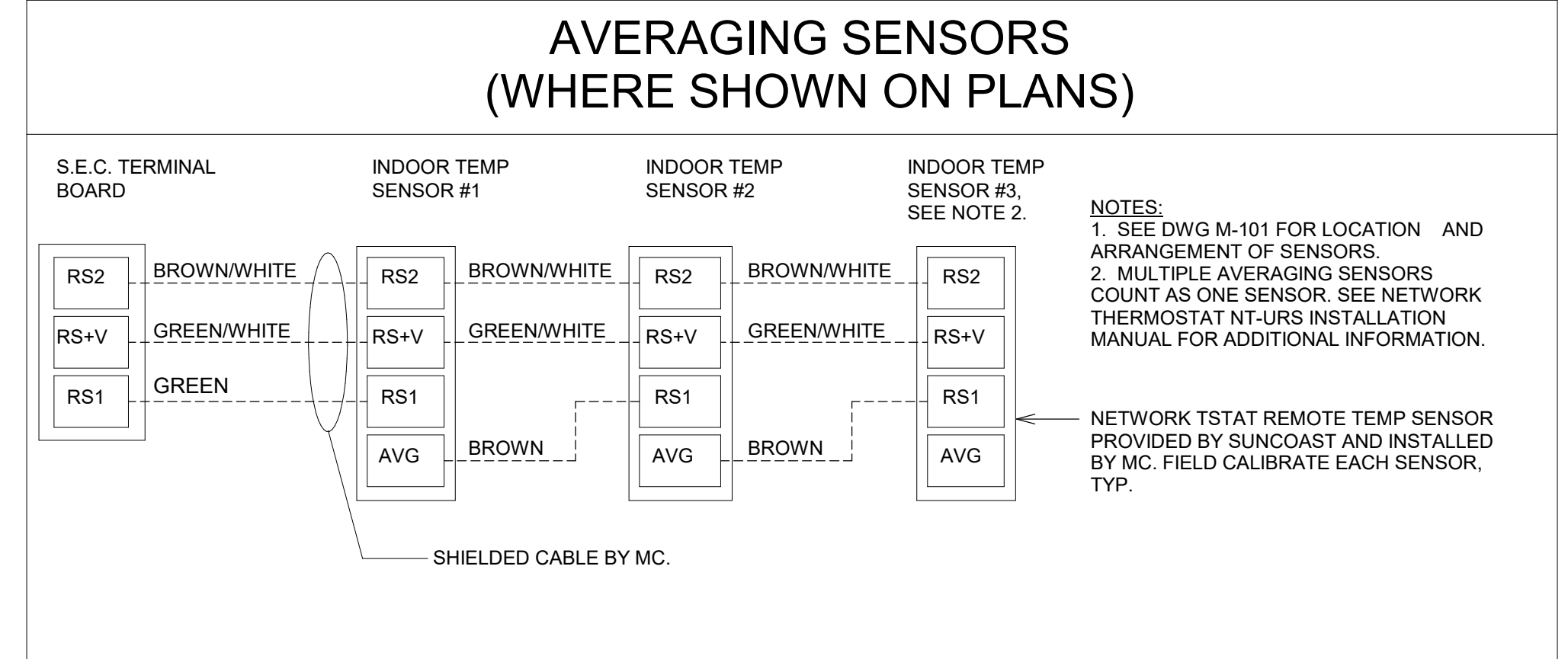
FIELD INSTALLED WIRING: WITHIN THE ROOFTOP UNITS, WIRING SHALL BE ROUTED BY WAY OF FACTORY WIRE WAYS ONLY. WIRING ROUTED OVER THE BLOWER HOUSING OR BY WAY OF OTHER ROUTES DETRIMENTAL TO WIRING LIFE WILL NOT BE ACCEPTED.

LABELING: PROVIDE ENGRAVED LABEL WITH 1" HIGH WHITE LETTERS ON BLACK BACKGROUND IDENTIFYING UNIT SERVED.

LEGEND
 - - - - - 18 AWG MIN WIRING BY MECH CONTRACTOR
 _____ FACTORY ANNUNCIATOR DETECTOR WIRING
 - - - - - FACTORY TRANE WIRING



1 SMOKE DETECTOR AND ANNUNCIATOR WIRING DIAGRAM - TRANE
 NOT TO SCALE

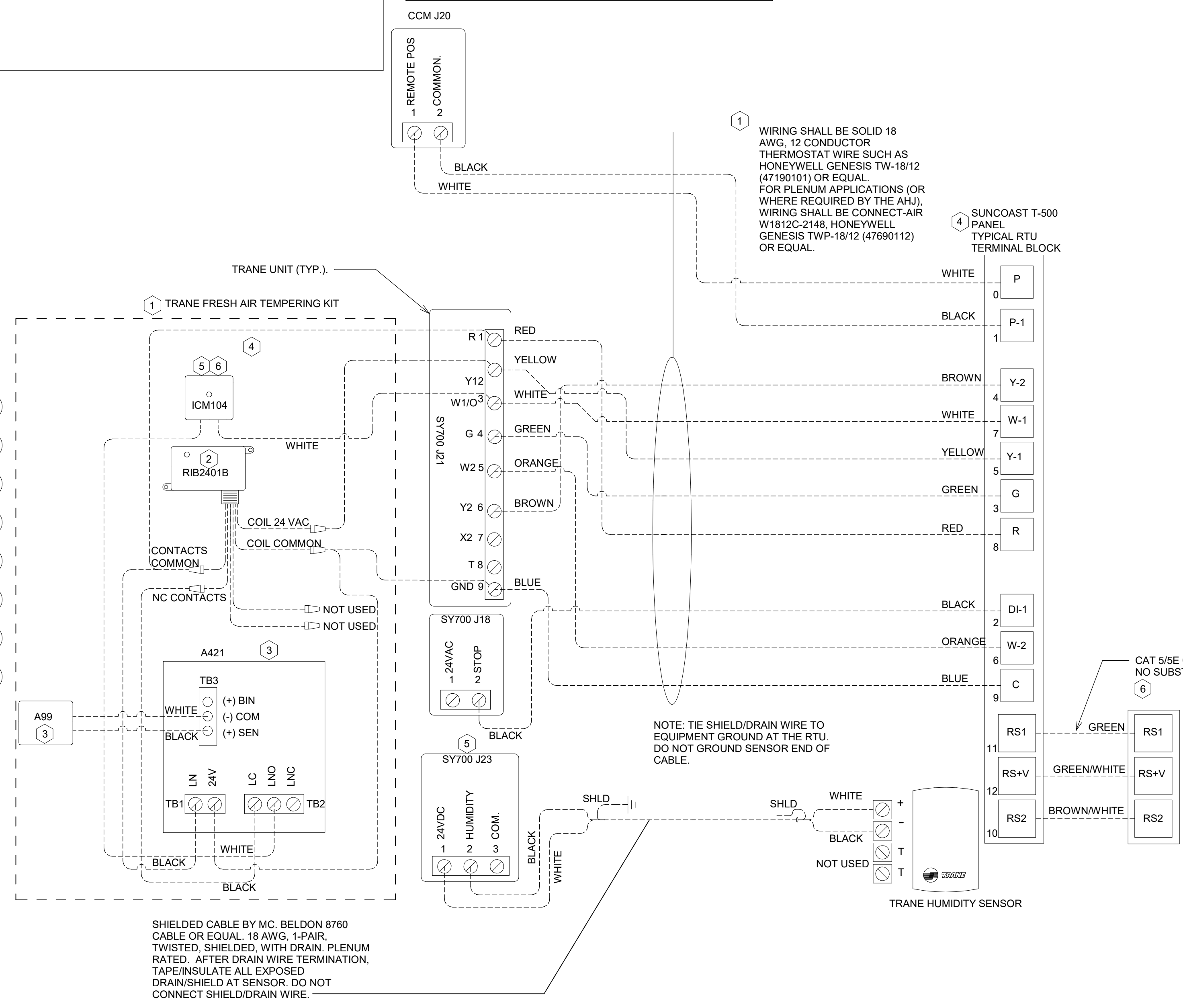


KEYED NOTES:
 1. LOW VOLTAGE WIRING TO RTU TO BE ROUTED TO UNIT THRU FACTORY WIREWAY.
 2. WIRING TO HUMIDITY SENSOR TO BE MADE WITH SINGLE 18/2 SENSOR CABLE: BELDEN 8760 OR EQUAL.
 3. NETWORK TSTAT REMOTE TEMP SENSOR PROVIDED BY SUNCOAST AND INSTALLED BY MC. SENSOR IS INTENDED TO BE SURFACE MOUNTED AND DOES NOT REQUIRE A SINGLE GANG BOX OR CONDUIT. FIELD CALIBRATE EACH SENSOR. SEAL CABLE PENETRATION AT ALL WALL LOCATIONS.
 4. FACTORY WIRING IN SUNCOAST T-500 PANEL NOT SHOWN FOR CLARITY. SEE SUNCOAST WIRING DIAGRAM FOR ADDITIONAL INFORMATION.
 5. SY700 INTERFACE TO SET RELATIVE HUMIDITY. SET TO 60%.
 6. CAT 5/6 CABLE BY M.C. NO SUBSTITUTIONS.

NOTES:
 1. PROVIDE A PROFESSIONALLY LAMINATED COPY OF THESE DETAILS TO BE INSTALLED INSIDE THE ROOFTOP UNIT CONTROL CABINET. USE A SETON CHART FRAME STYLE #68624, TELEPHONE NUMBER 800-243-6624, FOR MOUNTING THE DETAIL. ATTACH THE FRAME TO THE INTERIOR OF THE UNIT IN PLAIN AND EASY VIEW OF THE CONTROLS SECTION. CONTACT ENGINEER OF RECORD FOR A REPRODUCIBLE COPY OF THE DETAIL.
 2. SEE DETAILS IN THIS SHEET FOR SMOKE DETECTOR AND ANNUNCIATOR WIRING.
 3. SET ALL THERMOSTATS TO AUTO CHANGEOVER.
 4. PROVIDE PLASTIC ENGRAVABLE AT ALL SENSORS WITH 1/4" HIGH WHITE LETTERING ON BLACK BACKGROUND (E.G., "ACK2 HUMIDITY SENSOR" OR "ACK2 TEMP SENS"). PLACE LABELS ON WALL DIRECTLY ABOVE OR BELOW THE SENSOR. DO NOT APPLY LABEL DIRECTLY TO DEVICE.

LEGEND
 S.E.C. SUNCOAST ENVIRONMENTAL CONTROLS (SUPPLIER OF TEMP/FAN CONTROL PANEL) LOCATED IN KITCHEN
 1 KEY NOTE REFERENCE
 MC MECHANICAL CONTRACTOR
 AC SUNCOAST RELAY FACTORY INSTALLED AND WIRED IN CFA-500 PANEL. ENERGIZED BY PUTTING STORE SWITCH IN "STORE OCCUPIED" POSITION
 AN SUNCOAST RELAY FACTORY INSTALLED AND WIRED IN CFA-500 PANEL. DEENERGIZED WHEN ANSUL FIR SUPPRESSION SYSTEM IS ACTIVATED AS NOTED
 - - - - - ALL LOW VOLTAGE CABLING BY MC. ONLY USE CABLE SPECIFIED. NO SUBSTITUTIONS
 - - - - - LOW VOLTAGE WIRING BY S.E.C.
 _____ LINE VOLTAGE BY ELECTRICIAN OR S.E.C.

FRESH AIR TEMPERING KEYED NOTES:
 1. INSTALL FRESH AIR TEMPERING KIT AS RECOMMENDED BY TRANE.
 2. RIB2401B SPDT RELAY FURNISHED BY TRANE AND INSTALLED BY CONTRACTOR IN RTU CONTROL CABINET.
 3. JCI A421 TEMPERATURE CONTROLLER FURNISHED BY TRANE AND INSTALLED BY CONTRACTOR IN RTU CONTROL CABINET. CONTRACTOR SHALL INSTALL TRANE FURNISHED JCI A99 SENSOR IN THE SUPPLY DUCT DOWNSTREAM OF FIRST ELBOW. SECURE WIRING TO DUCT WITH T8001-S SENSOR DUCT MOUNTING PLATE FURNISHED BY TRANE. DO NOT RUN WIRING INSIDE DUCTWORK. SET A421 CONTROLLER PARAMETERS TO THE FOLLOWING:
 • RELAY ON TEMPERATURE: 50°F
 • RELAY OFF TEMPERATURE: 80°F
 4. 18 AWG MIN. LOW VOLTAGE WIRING BY MC.
 5. ICM104 TIME DELAY RELAY FURNISHED BY TRANE AND INSTALLED BY CONTRACTOR IN CONTROL CABINET OF ROOFTOP UNIT.
 6. SET TIME DELAY RELAY (ICM104) TO 15 MINUTES.



2 ROOFTOP UNIT CONTROL WIRING - TRANE
 NOT TO SCALE



Chick-fil-A
 Chick-fil-A
 5200 Buffington Road
 Atlanta, Georgia
 30349-2998

Kurzynske & Associates
 2705 Lebanon Pike - Suite One
 Nashville, Tennessee 37214
 Telephone: (615) 255-5203



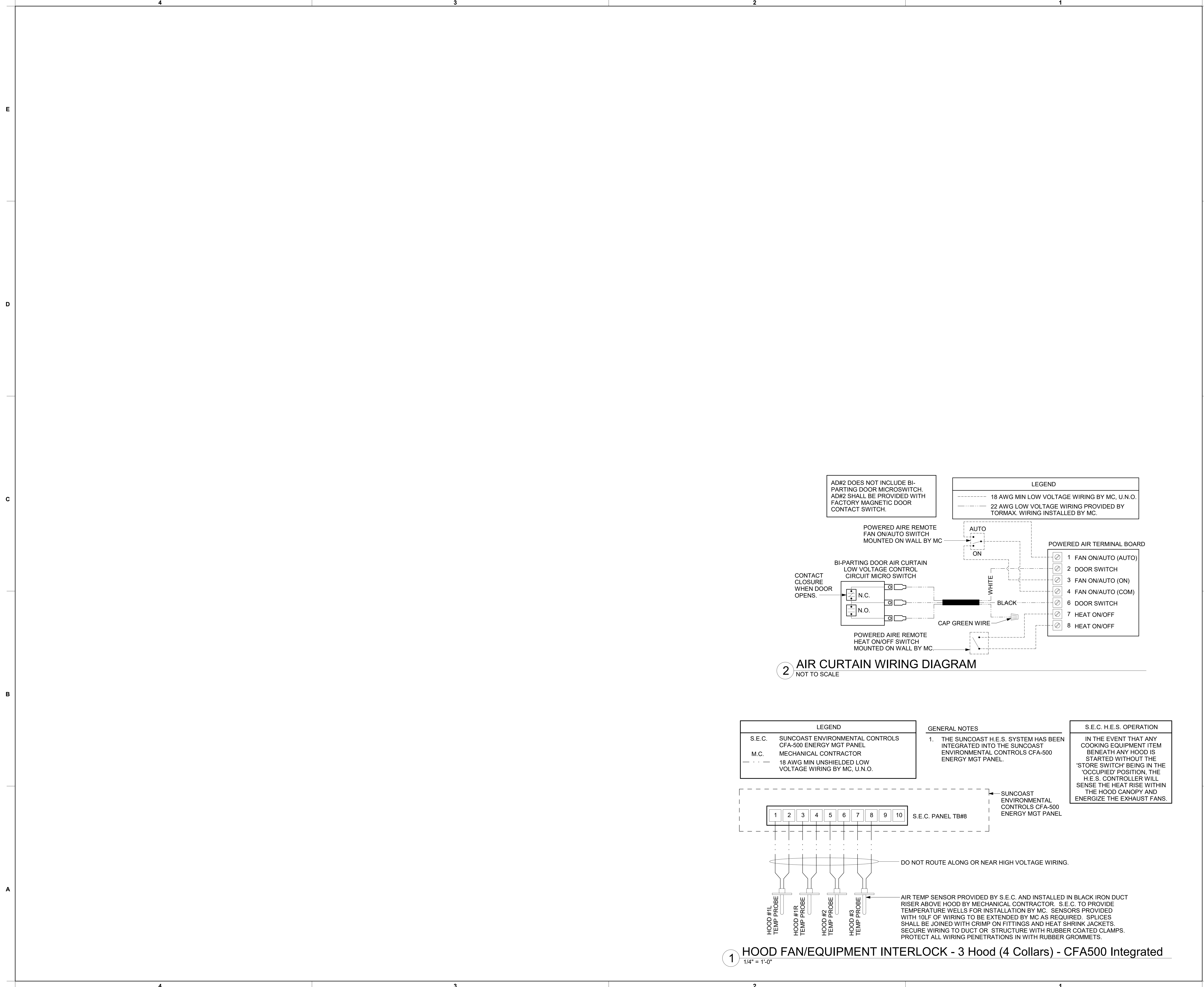
CHICK-FIL-A
 Oldham Village FSU
 1025 SW Jefferson St
 Lee's Summit, MO 64081

FSR#05248
 BUILDING TYPE / SIZE: P14 LSR BN
 RELEASE: 23.09
 PRINTED FOR
 ISSUE FOR CONSTRUCTION
 REVISION SCHEDULE
 NO. DATE DESCRIPTION
 1 07/18/25 ISSUE FOR CONSTRUCTION

ISSUE FOR CONSTRUCTION

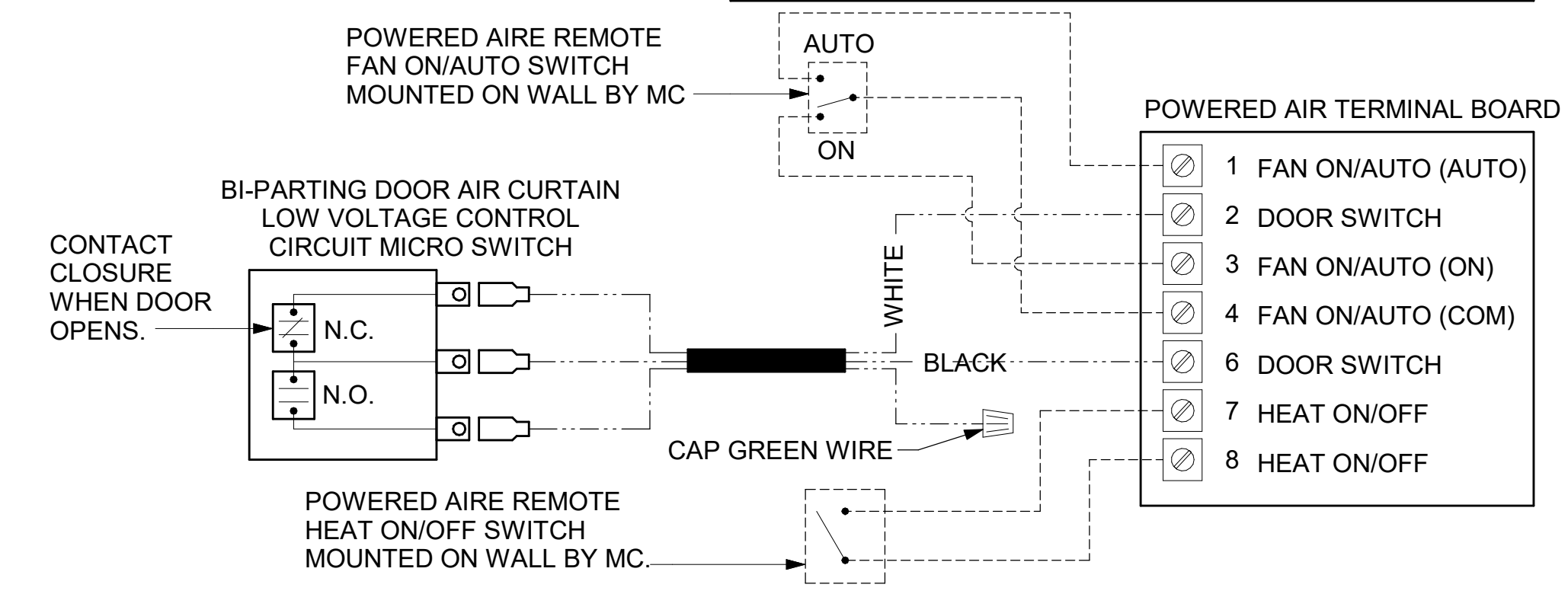
CONSULTANT PROJECT # 24137.CD.S
 DATE 07/18/2025
 DRAWN BY BLM
 Information contained on this drawing and in all digital files produced for above named project may not be reproduced in any manner without express written or verbal consent from authorized project representatives.
 SHEET CONTROL WIRING DIAGRAMS - TRANE
 SHEET NUMBER M-701

Autodesk Docs://MO_05248_Hwy 50 & SR 291 (MO) FSU_2024.9_FSR05248_Hwy 50 & SR 291 (MO) FSU_K&A_MEC.rvt
7/15/2025 12:35:16 PM
30-LSR-05248-M-702-CONTROL WIRING DIAGRAMS



AD#2 DOES NOT INCLUDE BI-PARTING DOOR MICROSWITCH. AD#2 SHALL BE PROVIDED WITH FACTORY MAGNETIC DOOR CONTACT SWITCH.

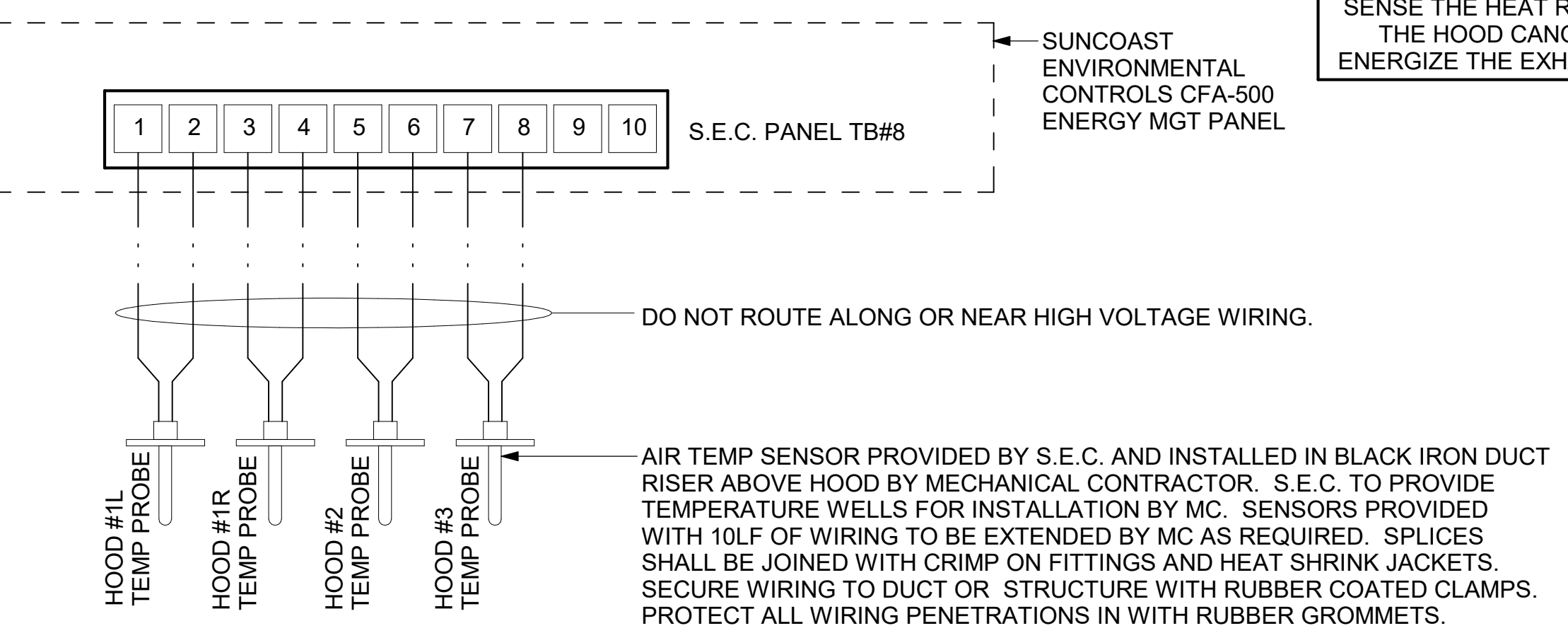
LEGEND
 - - - - - 18 AWG MIN LOW VOLTAGE WIRING BY MC, U.N.O.
 - - - - - 22 AWG LOW VOLTAGE WIRING PROVIDED BY TORMAX. WIRING INSTALLED BY MC.



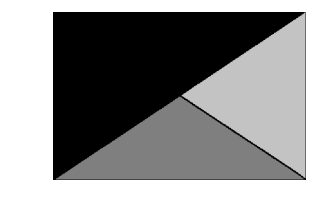
LEGEND
 S.E.C. SUNCOAST ENVIRONMENTAL CONTROLS CFA-500 ENERGY MGT PANEL
 M.C. MECHANICAL CONTRACTOR
 - - - - - 18 AWG MIN UNSHIELDED LOW VOLTAGE WIRING BY MC, U.N.O.

GENERAL NOTES
 1. THE SUNCOAST H.E.S. SYSTEM HAS BEEN INTEGRATED INTO THE SUNCOAST ENVIRONMENTAL CONTROLS CFA-500 ENERGY MGT PANEL.

S.E.C. H.E.S. OPERATION
 IN THE EVENT THAT ANY COOKING EQUIPMENT ITEM BENEATH ANY HOOD IS STARTED WITHOUT THE 'STORE SWITCH' BEING IN THE 'OCCUPIED' POSITION, THE H.E.S. CONTROLLER WILL SENSE THE HEAT RISE WITHIN THE HOOD CANOPY AND ENERGIZE THE EXHAUST FANS.



Chick-fil-A
 5200 Buffington Road
 Atlanta, Georgia
 30349-2998



Kurzynske & Associates
 2705 Lebanon Pike - Suite One
 Nashville, Tennessee 37214
 Telephone: (615) 255-5203



07/18/25

CHICK-FIL-A
 Oldham Village FSU

1025 SW Jefferson St
 Lee's Summit, MO 64081

FSR#05248

BUILDING TYPE / SIZE: P14 LSR BN
 RELEASE: 23.09
 PRINTED FOR

ISSUE FOR CONSTRUCTION

REVISION SCHEDULE		
NO.	DATE	DESCRIPTION
1	07/18/25	ISSUE FOR CONSTRUCTION

ISSUE FOR CONSTRUCTION

CONSULTANT PROJECT # 24137.CD.S
 DATE 07/18/2025
 DRAWN BY BLM

Information contained on this drawing and in all digital files produced for above named project may not be reproduced in any manner without express written or verbal consent from authorized project representatives.

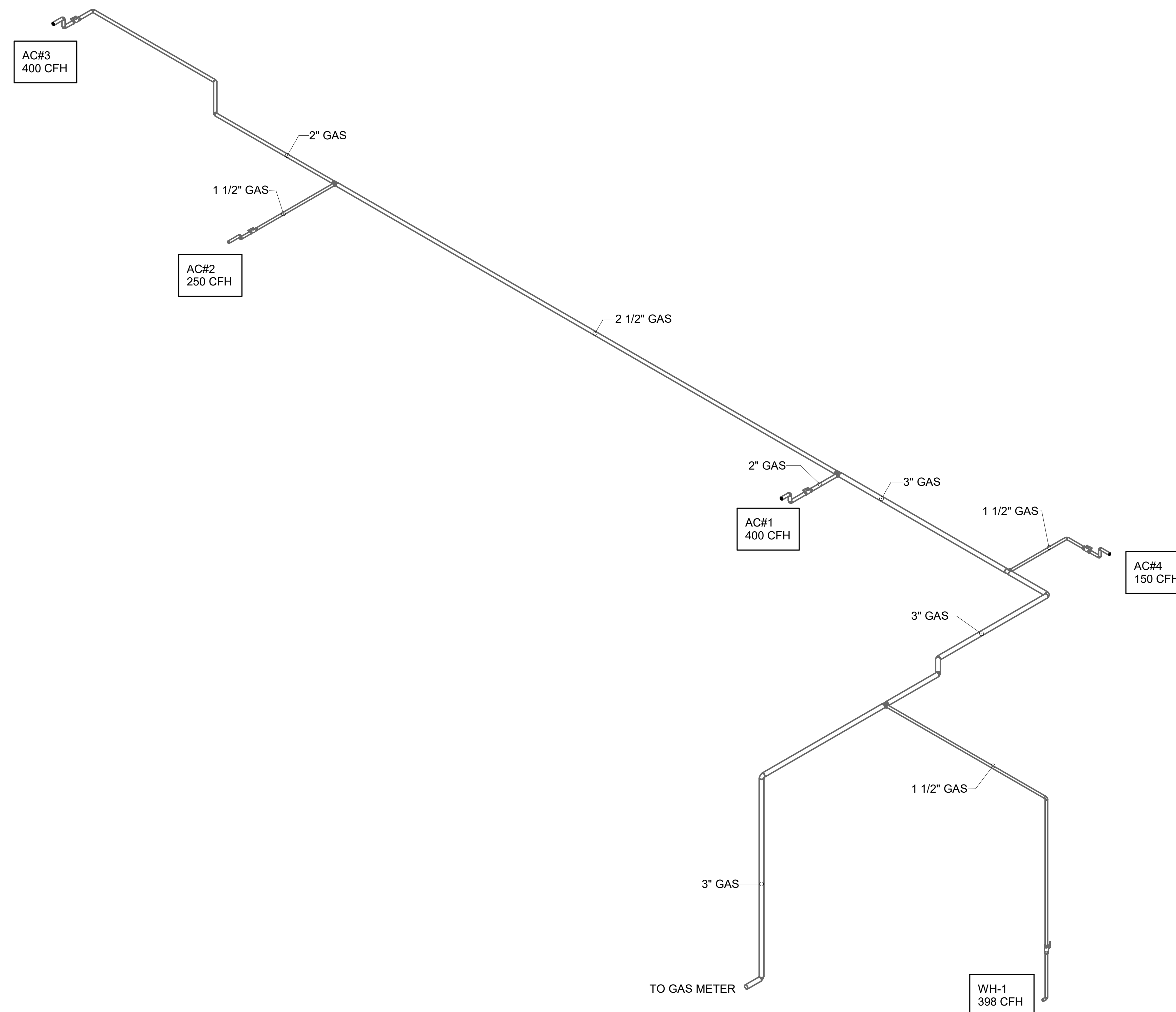
SHEET CONTROL WIRING DIAGRAMS

SHEET NUMBER

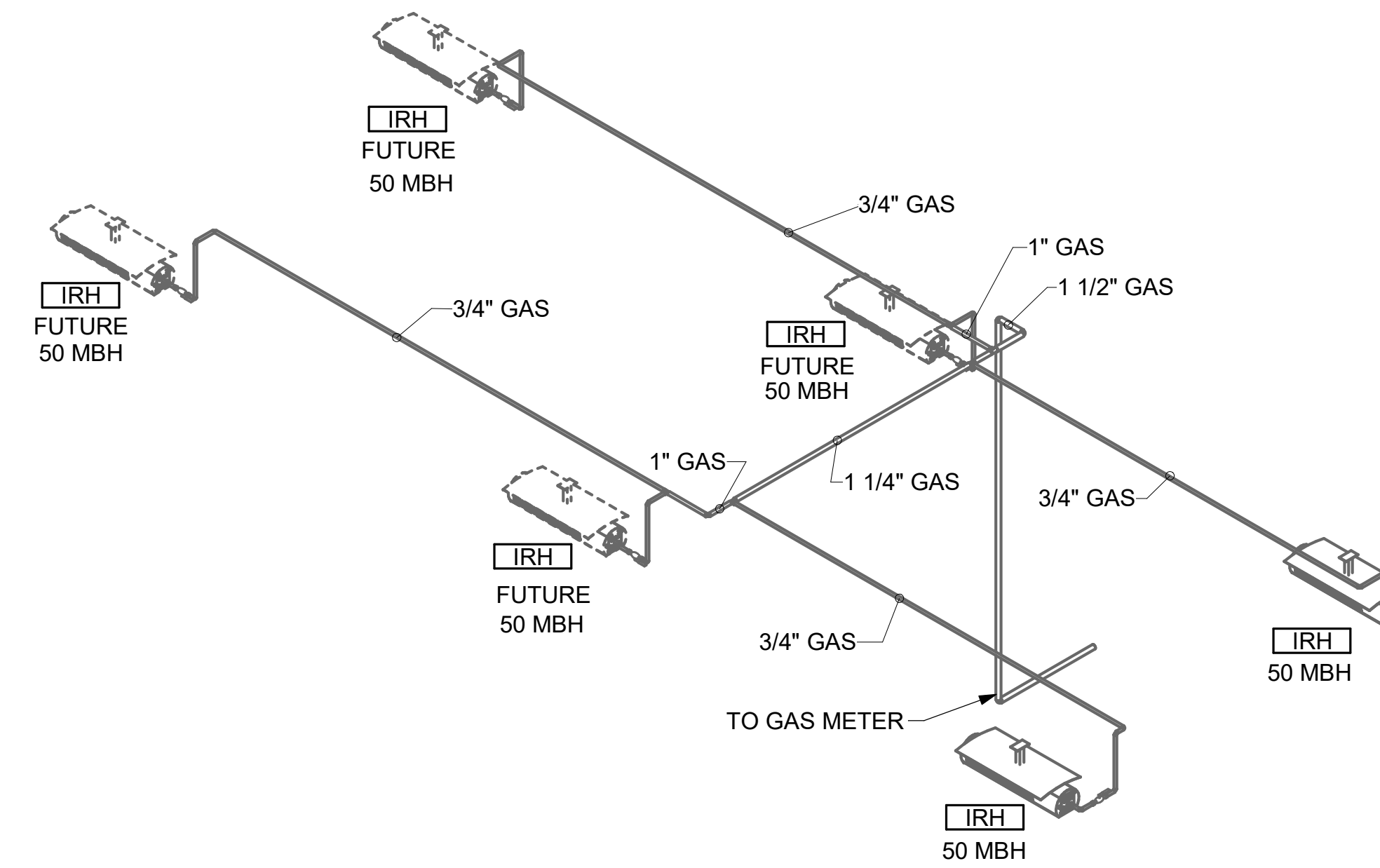
M-702

Autodesk Docs://MO_05248_Hwy 50 & SR 291 (MO) FSU_2024.9_FSR05248_Hwy 50 & SR 291 (MO) FSU_K&A_MEC.rvt
7/15/2025 12:35:18 PM
30-LSR-05248-M-901-GAS PIPING ISOMETRICS - TRANE

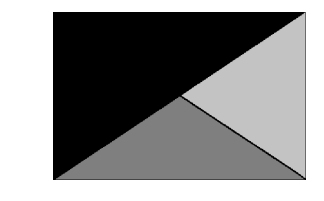
① GAS PIPING ISOMETRIC - TRANE



② ORDER CANOPY PIPING ISOMETRIC - TRANE



Chick-fil-A
5200 Buffington Road
Atlanta, Georgia
30349-2998



Kurzynske & Associates
2705 Lebanon Pike - Suite One
Nashville, Tennessee 37214
Telephone: (615) 255-5203



07/18/25

CHICK-FIL-A
Oldham Village FSU

1025 SW Jefferson St
Lee's Summit, MO 64081

FSR#05248

BUILDING TYPE / SIZE: P14 LSR BN
RELEASE: 23.09
PRINTED FOR:
ISSUE FOR CONSTRUCTION

REVISION SCHEDULE		
NO.	DATE	DESCRIPTION
1	07/18/25	ISSUE FOR CONSTRUCTION

ISSUE FOR CONSTRUCTION

CONSULTANT PROJECT # 24137.CD.S
DATE 07/18/2025
DRAWN BY BLM

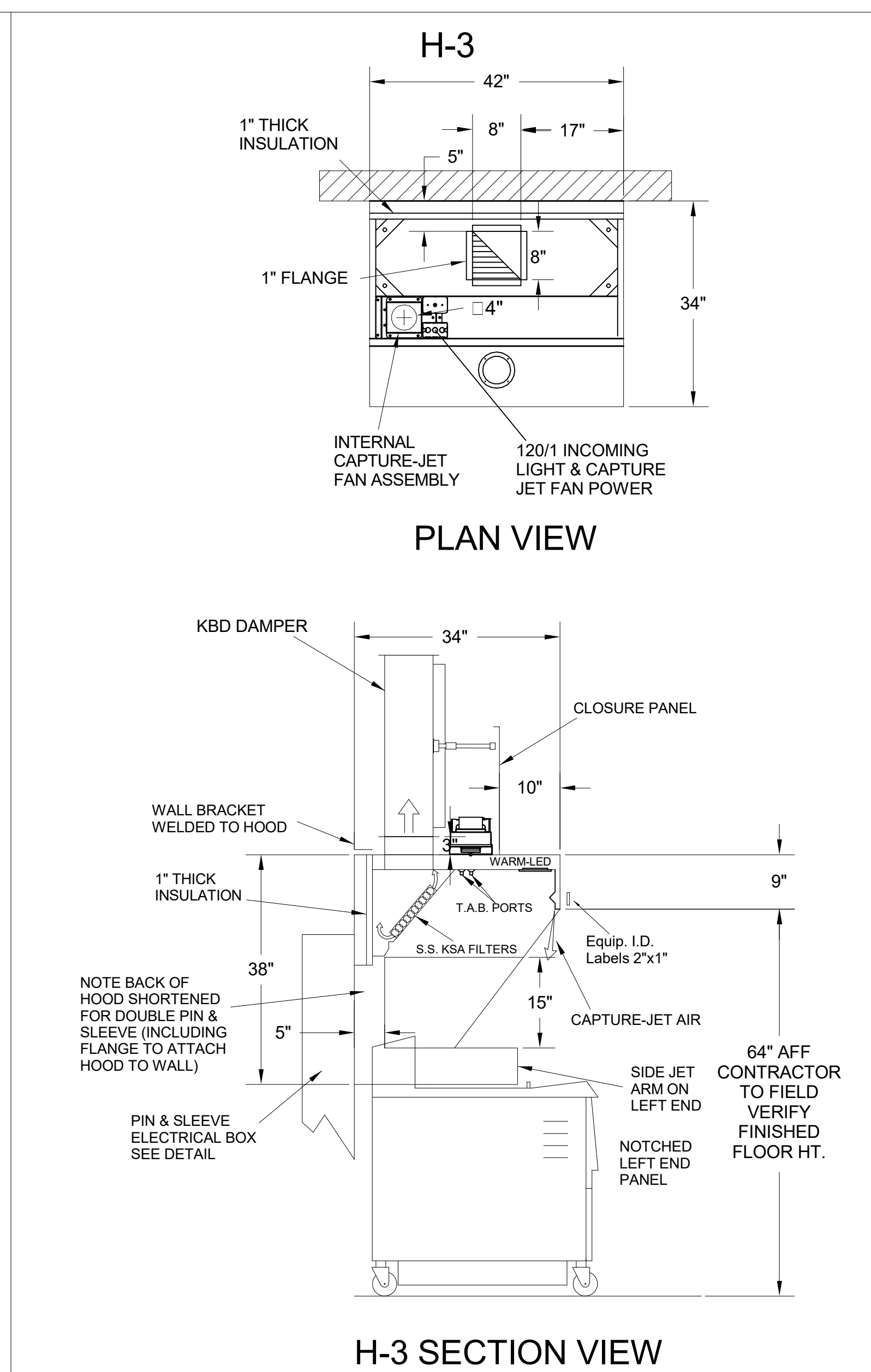
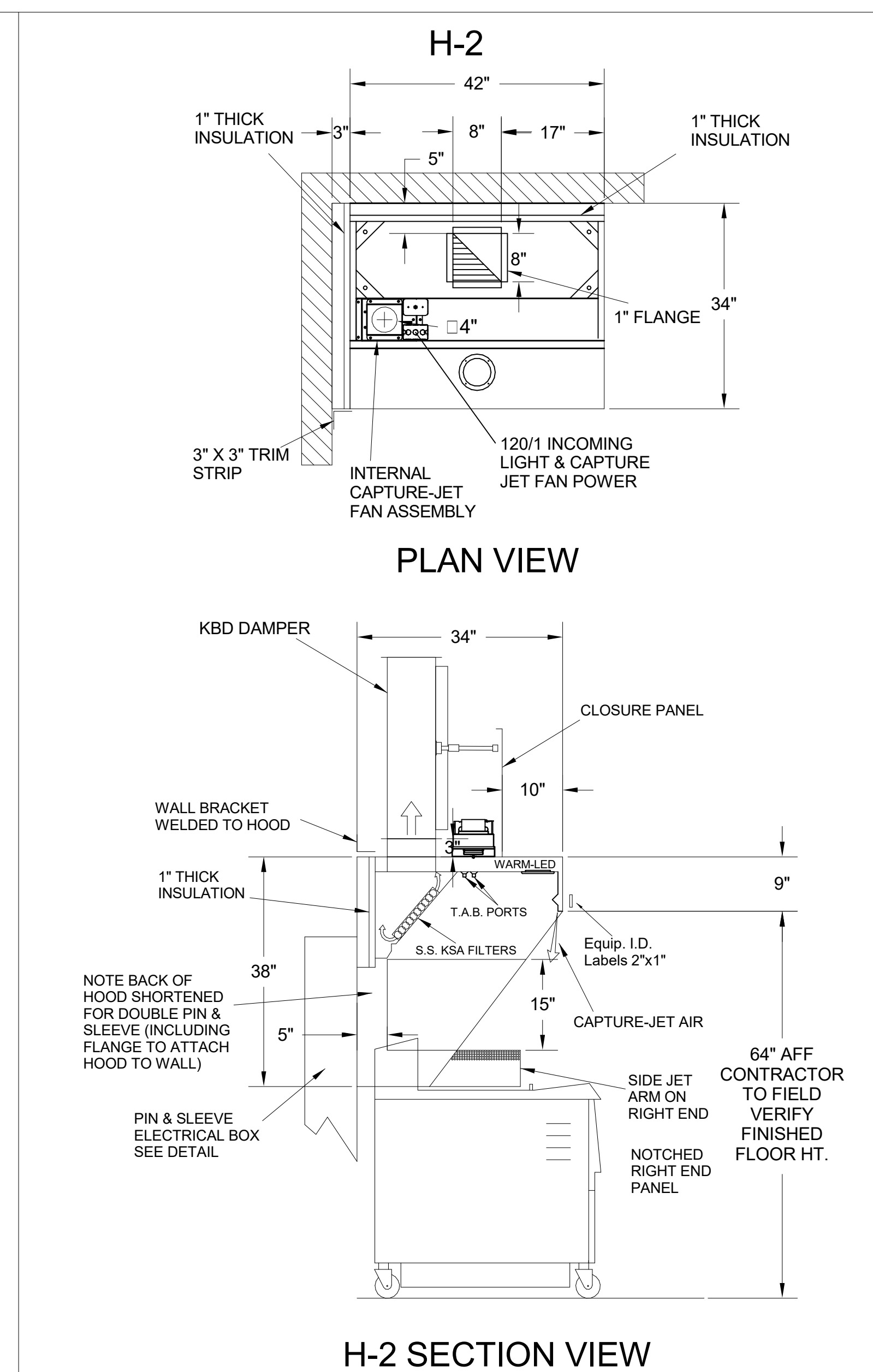
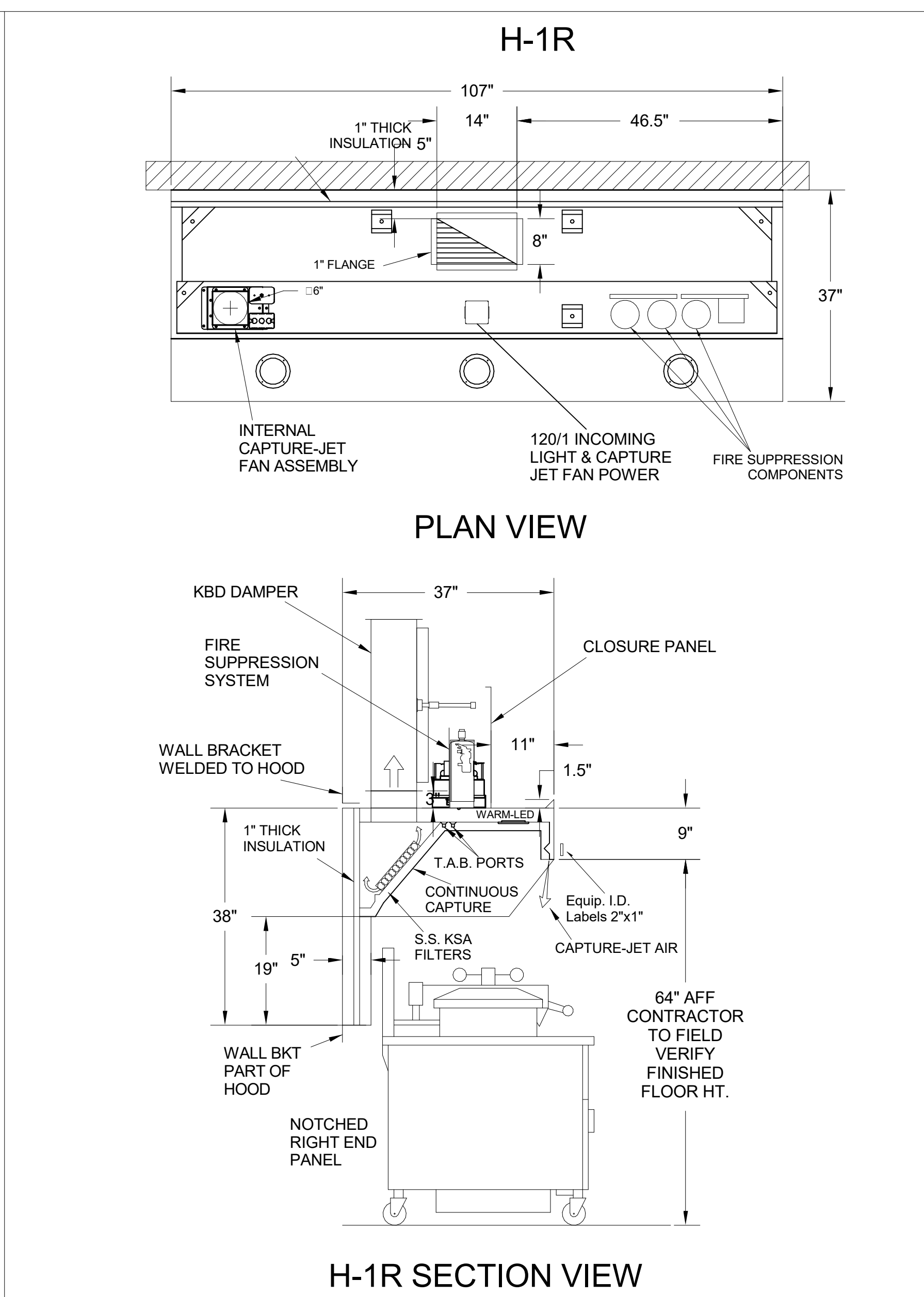
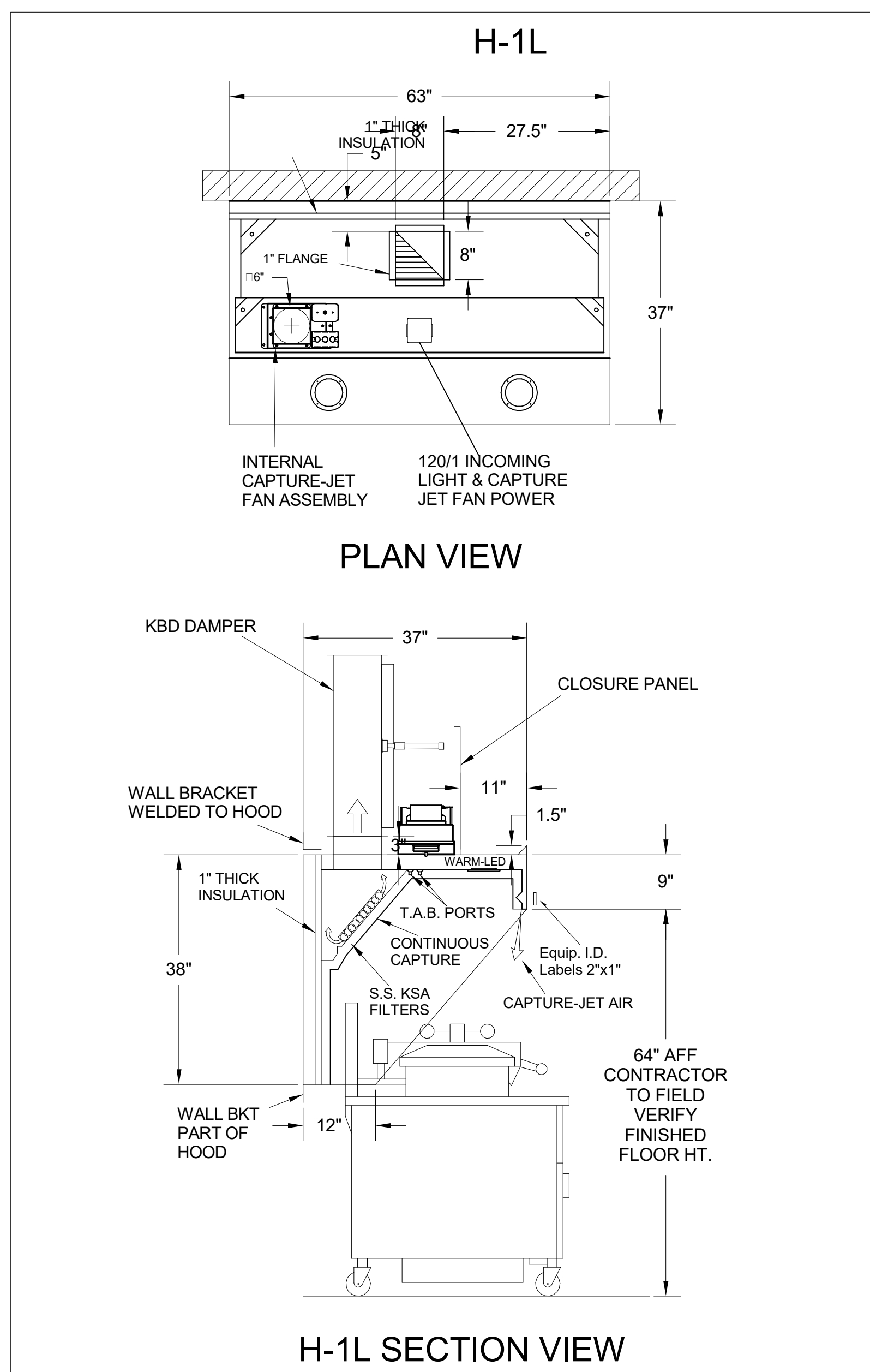
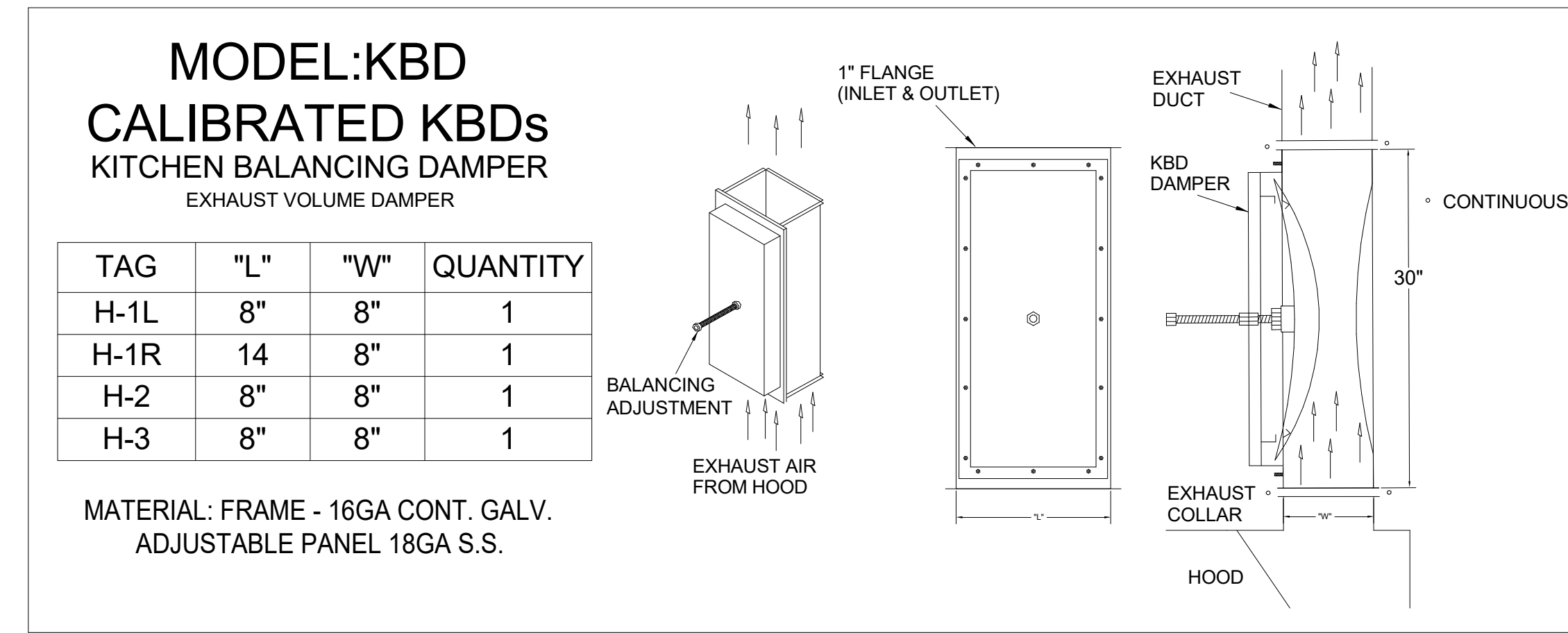
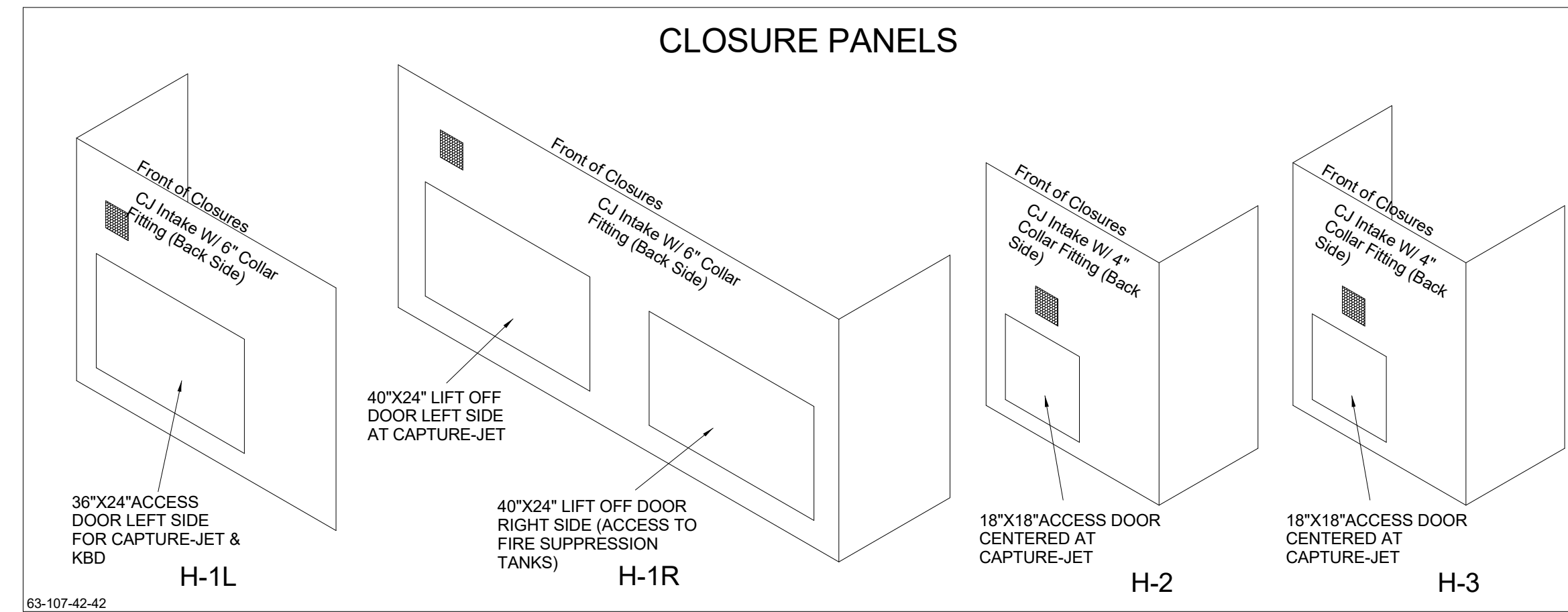
Information contained on this drawing and in all digital files produced for above named project may not be reproduced in any manner without express written or verbal consent from authorized project representatives.

SHEET GAS PIPING ISOMETRICS - TRANE
SHEET NUMBER

M-901

HOOD MODEL	HOOD NUMBER	EXHAUST COLLAR			EXHAUST AIR INFORMATION			CAPTURE AIR INFORMATION		S.S. KSA FILTERS		LED LIGHTS		CEILING CLOSURES				MATERIAL	
		QTY	LENGTH	WIDTH	CFM	TAB	SP	CFM	SP	FULL	HALF	QTY	CLOSURE HEIGHT	CEILING HEIGHT	HOOD WEIGHT	KBD DAMPER	K FACTOR (CFM = K FACTOR * √DP)		
KVL-2-IC	H-1L	1	8"	8"	709	0.13"	0.23"	47	0.30"	3	-	2	2	51"	122"	394 LBS	*	1959	EXPOSED SURFACES 18 GA. S.S.
KVL-2-IC	H-1R	1	14"	8"	1204	0.13"	0.22"	80	0.30"	5	-	3	2			669 LBS	*	3365	
KVL-C-IC	H-2	1	8"	8"	701	0.30"	0.39"	30	0.29"	2	-	1	2			245 LBS	*	1291	
KVL-C-IC	H-3	1	8"	8"	701	0.30"	0.39"	30	0.29"	2	-	1	3			245 LBS	*	1291	

FOR REFERENCE ONLY



- CEILING CLOSURE RECESSED 11" FROM FRONT TO CREATE SHELF
- 36"x24" ACCESS DOOR LEFT SIDE FOR ACCESS TO CAPTURE-JET WITH FRONT CJ INTAKE & KBD
- CONTINUOUS CAPTURE INTERNAL RIGHT END CUTOUT
- 3" REAR STAND-OFF TO HAVE 1" THICK INSULATION
- EQUIPMENT COVERED: (3) PRESSURE FRYERS

- CEILING CLOSURE RECESSED 11" FROM FRONT TO CREATE SHELF
- FRONT CLOSURE PANEL WITH 40"x24" LIFT OUT DOOR RIGHT SIDE (ACCESS TO FIRE SUPPRESSION)
- 40"x24" LIFT DOOR LEFT SIDE AT CAPTURE-JET WITH FRONT CJ INTAKE
- CONTINUOUS CAPTURE INTERNAL LEFT END CUTOUT
- 3" REAR STAND-OFF TO HAVE 1" THICK INSULATION
- NOTCHED RIGHT END PANEL
- EQUIPMENT COVERED: (4) PRESSURE FRYERS (2) GRILLS
- ANSUL WEIGHT = 286 LBS
- AMEREX WEIGHT = 264 LBS

- CEILING CLOSURE RECESSED 10" FROM FRONT TO CREATE SHELF
- 18"x18" ACCESS DOOR CENTERED AT CAPTURE-JET WITH FRONT CJ INTAKE
- NOTCHED RIGHT END PANEL
- DOUBLE RECEPTACLE PIN & SLEEVE
- 3"x3" TRIM STRIP FOR STANDOFF ON LEFT END
- 3" SIDE & REAR STAND-OFF TO HAVE 1" THICK INSULATION
- EQUIPMENT COVERED: (2) FRYERS

- CEILING CLOSURE RECESSED 10" FROM FRONT TO CREATE SHELF
- 18"x18" ACCESS DOOR CENTERED AT CAPTURE-JET WITH FRONT CJ INTAKE
- NOTCHED LEFT END PANEL
- DOUBLE RECEPTACLE PIN & SLEEVE
- 3" REAR STAND-OFF TO HAVE 1" THICK INSULATION
- EQUIPMENT COVERED: (2) FRYERS

PROJECT: **CHICK-FL-A**

LOCATION: **Oakham Village FSU**

DRAWN BY: **DATE: 07/18/2025**

SCALE: **NTS**

Halton Dwg: _____

Sheet **MH-1.1**

MAIL APPROVED DRAWINGS TO APPROPRIATE FACTORY. BELOW WEBSITE: WWW.HALTONCOMPANY.COM

HALTON CO. (CANADA)
1021 BREVIK PLACE
MISSISSAUGA, ON L4W 3R7
1-905-624-0301

HALTON CO. (USA)
101 INDUSTRIAL DRIVE
SCOTTSDALE, AZ 85264
1-270-237-5600

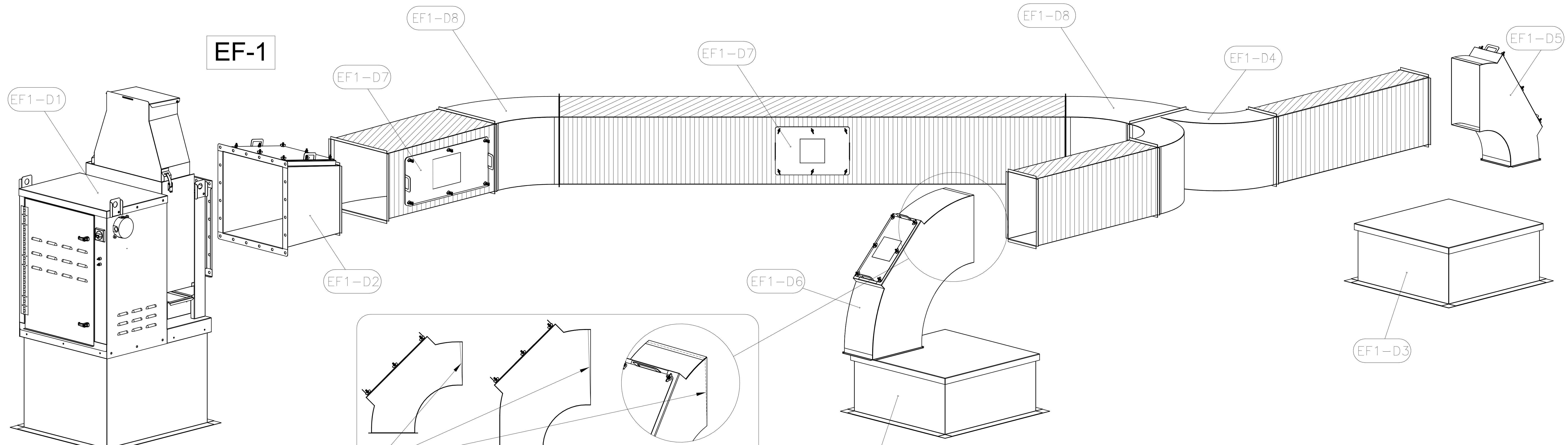
REVISION DESCRIPTION

1	DATE
2	BY
3	DATE
4	BY
5	DATE
6	BY
7	DATE

REVISIONS: REVISE AND RESUBMIT APPROVED FOR FABRICATION WITH NO CHANGES WITH CHANGES AS NOTED

APPROVED BY: _____

FOR REFERENCE ONLY



CONTRACTOR TO TRIM AS NEEDED TO ACCOMODATE DUCT SLOPE. ALL ELBOWS WITH ACCESS PANELS. BOTH EF-1 AND EF-2

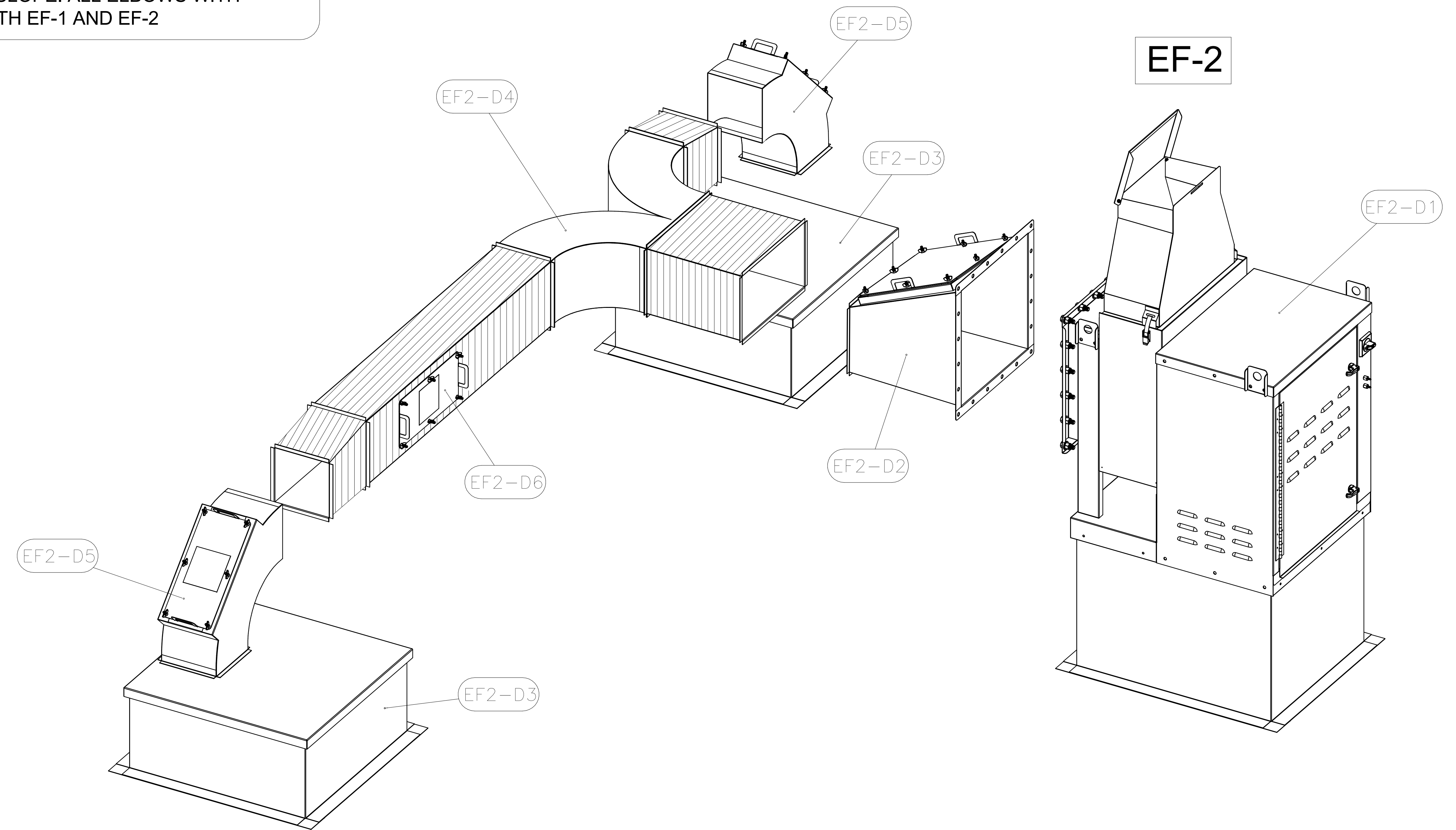
EXHAUST FAN #1 (EF-1)		
ITEM	DESCRIPTION	QTY
EF1-D1	KEFB EXHAUST FAN W/ ROOF CURB	1
EF1-D2	FAN TRANSITION W/ UL LISTED ACCESS PANEL 14X16	1
EF1-D3	DUCT ROOF CURB W/ CAP 26X26X12	2
EF1-D4	LONG SWEEPING WYE 14X8	1
EF1-D5	LONG SWEEPING ELBOW TRANS W/ UL LISTED ACCESS PANEL 8X8 TO 8X14	1
EF1-D6	LONG SWEEPING ELBOW W/ UL LISTED ACCESS PANEL 14X8	1
EF1-D7	UL LISTED ACCESS PANEL 10X15	2
EF1-D8	45° 14X16	2

EXHAUST FAN #2 (EF-2)		
ITEM	DESCRIPTION	QTY
EF2-D1	KEFB EXHAUST FAN W/ ROOF CURB	1
EF2-D2	FAN TRANSITION W/ UL LISTED ACCESS PANEL 10X16	1
EF2-D3	DUCT ROOF CURB W/ CAP 26X26X12	2
EF2-D4	LONG SWEEPING WYE 8X10	1
EF2-D5	LONG SWEEPING ELBOW W/ UL LISTED ACCESS PANEL 8X8	2
EF2-D6	UL LISTED ACCESS PANEL 7X15	1

-CONTACT HALTON CUSTOMER SERVICE FOR HALTON PROVIDED ITEMS ONLY DUCT SECTIONS SPECIFIED BY NUMBERS AND SHOWN IN THE ABOVE CHART ARE PROVIDED BY HALTON

-ALL OTHER DUCTS AND FITTINGS BY HVAC CONTRACTOR. DUCT SECTIONS PROVIDED BY HVAC CONTRACTOR ARE SHOWN IN ORDER TO DEPICT TOTAL SYSTEM DESIGN. DUCT SECTIONS SHOWN WITH UL LISTED ACCESS PANELS, THAT ARE NOT HALTON PROVIDED LONG SWEEPING ELBOWS OR FAN TRANSITIONS, ARE PROVIDED BY HVAC CONTRACTOR. THE UL LISTED ACCESS PANELS PROVIDED BY HALTON MUST BE INSTALLED IN DUCT SECTIONS NOT PROVIDED BY HALTON BY HVAC CONTRACTOR.

-ALL DUCTS AND FITTINGS DEPICTED BY HATCH AREAS ARE BY HVAC CONTRACTOR.



PROJECT: **CHICK-FIL-A**

LOCATION: **Oldham Village FSU** SN#: **05248**

DRAWN BY: **NTS** DATE: **07/18/2025**

SCALE: **1:1** Halton Dwg:

REVISIONS:

REV.	DESCRIPTION	DATE
1		
2		
3		
4		
5		
6		
7		

MAIL APPROVED DRAWINGS TO APPROPRIATE FACTORY. BELOW WEBSITE: WWW.HALTONCOMPANY.COM

HALTON CO. (CANADA) 1021 BREVIK PLACE MISSISSAUGA, ON L4W 3R7 1-905-624-0301

HALTON CO. (USA) 101 INDUSTRIAL DRIVE SCOTTSDALE, AZ 85264 1-270-237-5600

REVISION DESCRIPTION BY DATE

APPROVED FOR FABRICATION WITH CHANGES AS NOTED

APPROVED BY: _____ DATE: _____

Sheet **MH-1.5**

Halton
CARE FOR INDOOR AIR

UL LISTED
NSF
SFA
ATL