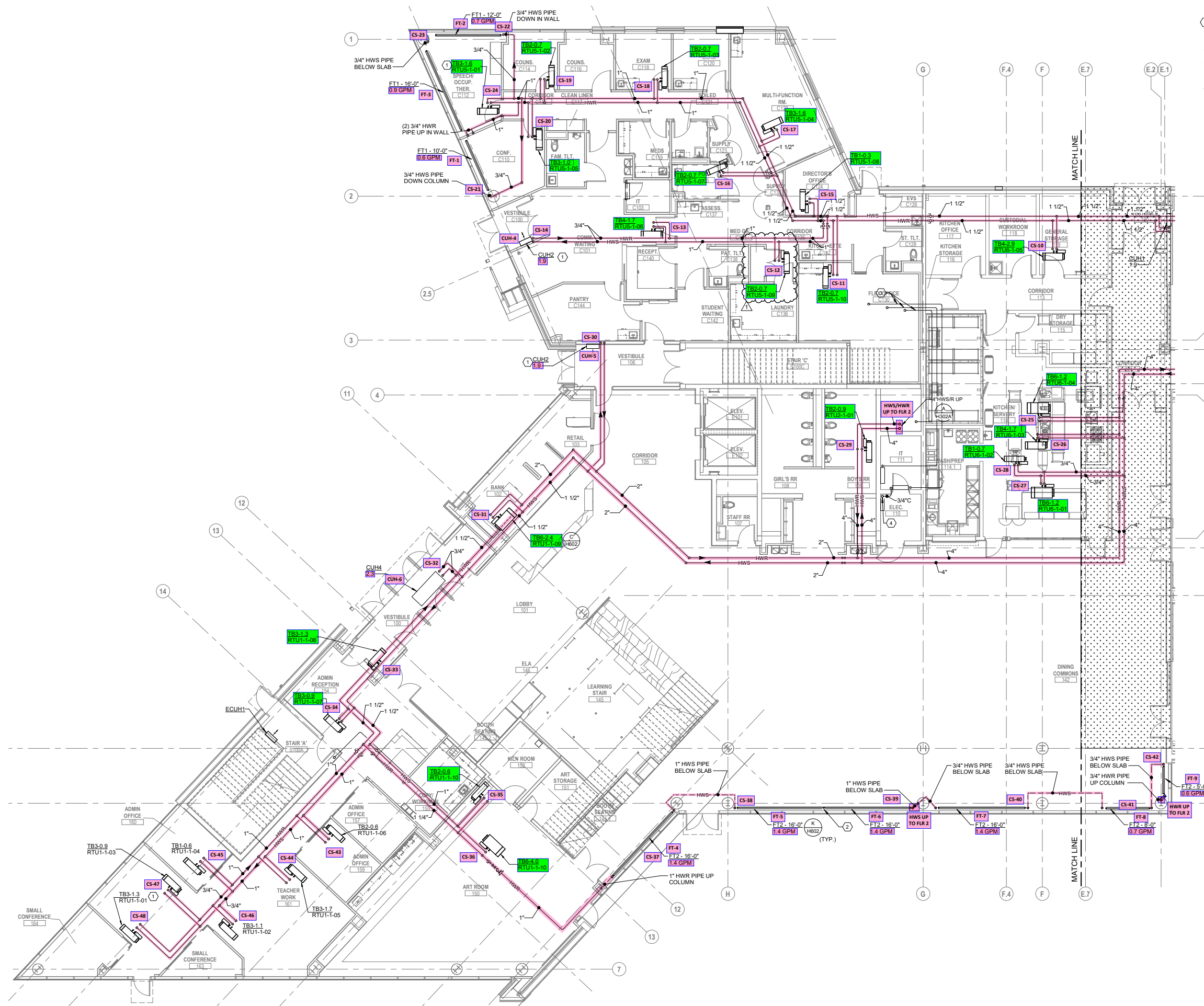


GENERAL NOTES:

1. THIS SHEET IS FOR INFORMATION ONLY AND NOT INTENDED TO DOCUMENT ALL UNDERGROUND MECHANICAL WORK. PROPOSED UNDERGROUND PATHWAYS FOR MAJOR MECHANICAL DISTRIBUTION ARE NOTE TO ASSIST OTHER TRADES. REFER TO FIT-OUT PACKAGE FOR COMPLETE MECHANICAL DESIGN. MECHANICAL CONTRACTOR IS RESPONSIBLE FOR COORDINATING FINAL UNDERGROUND HOT WATER SUPPLY AND RETURN PIPING.

CODED NOTES:

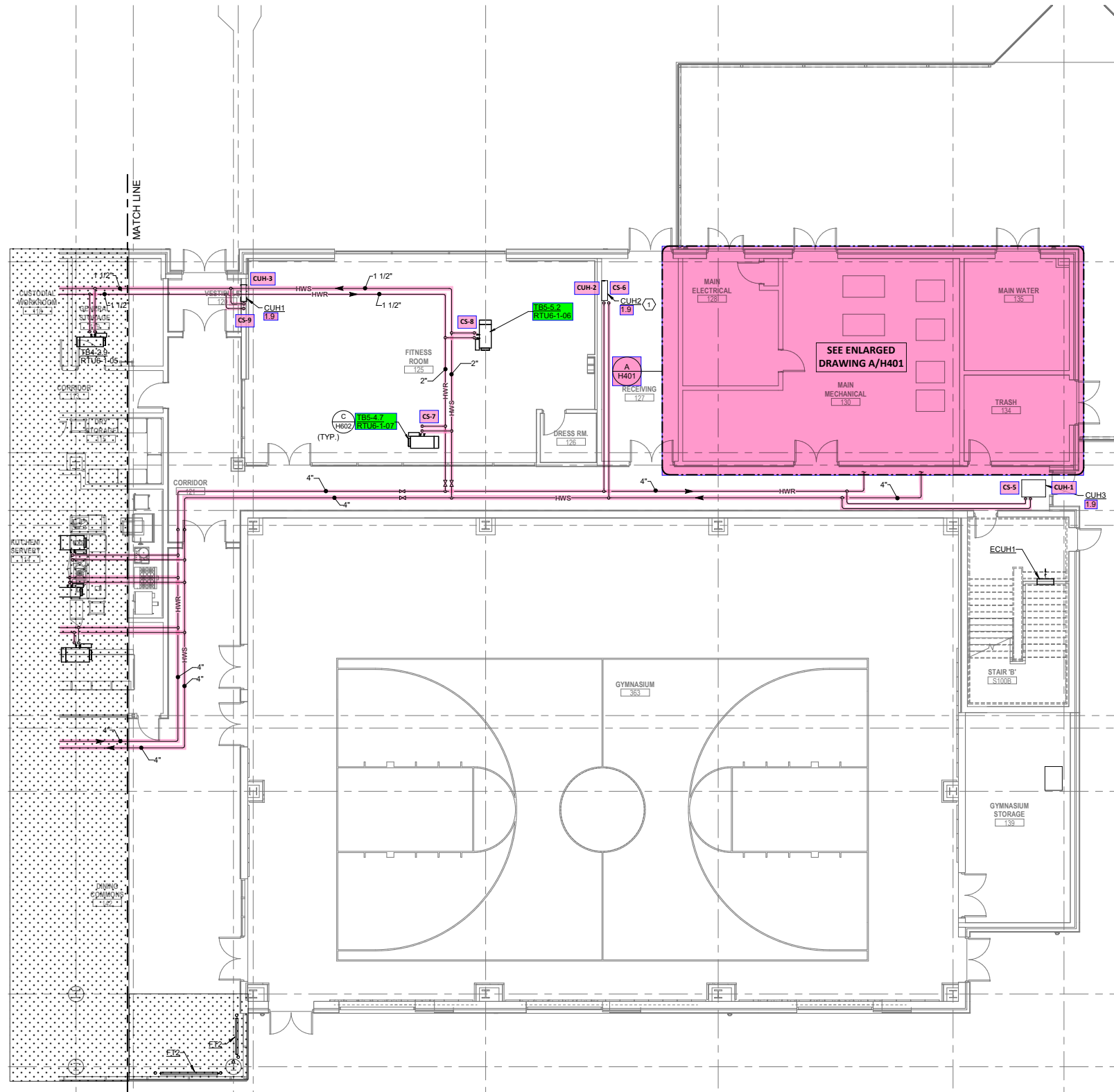
- 1. PROVIDE 3-WAY VALVE. REFER TO DETAIL AH602.
- 2. PROVIDE TRIM AND END PIECES FOR CONTINUOUS LOOK.
- 3. PROVIDE REFRIGERANT LINESET FROM INDOOR UNIT TO OUTDOOR CONDENSER UNIT ON ROOF. SIZE PER MANUFACTURER'S INSTRUCTIONS. SINGLE LINE REPRESENTS BOTH PIPES IN LINESET.
- 4. 1" CONDENSATE DRAIN DOWN TO FLOOR DRAIN. TERMINATE WITH 2" AIR GAP AT FLOOR DRAIN FUNNEL.

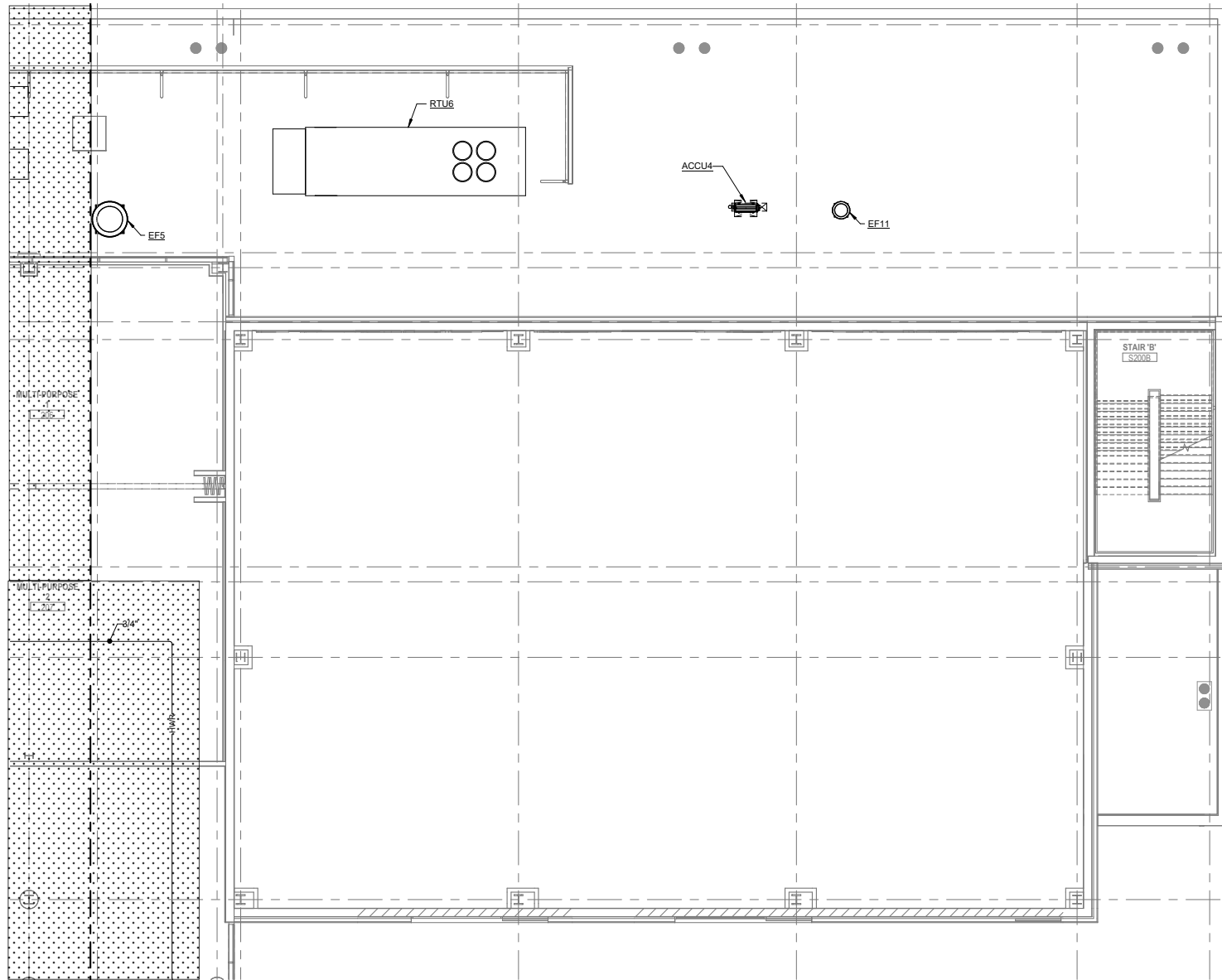


1.
2.
3.
4.

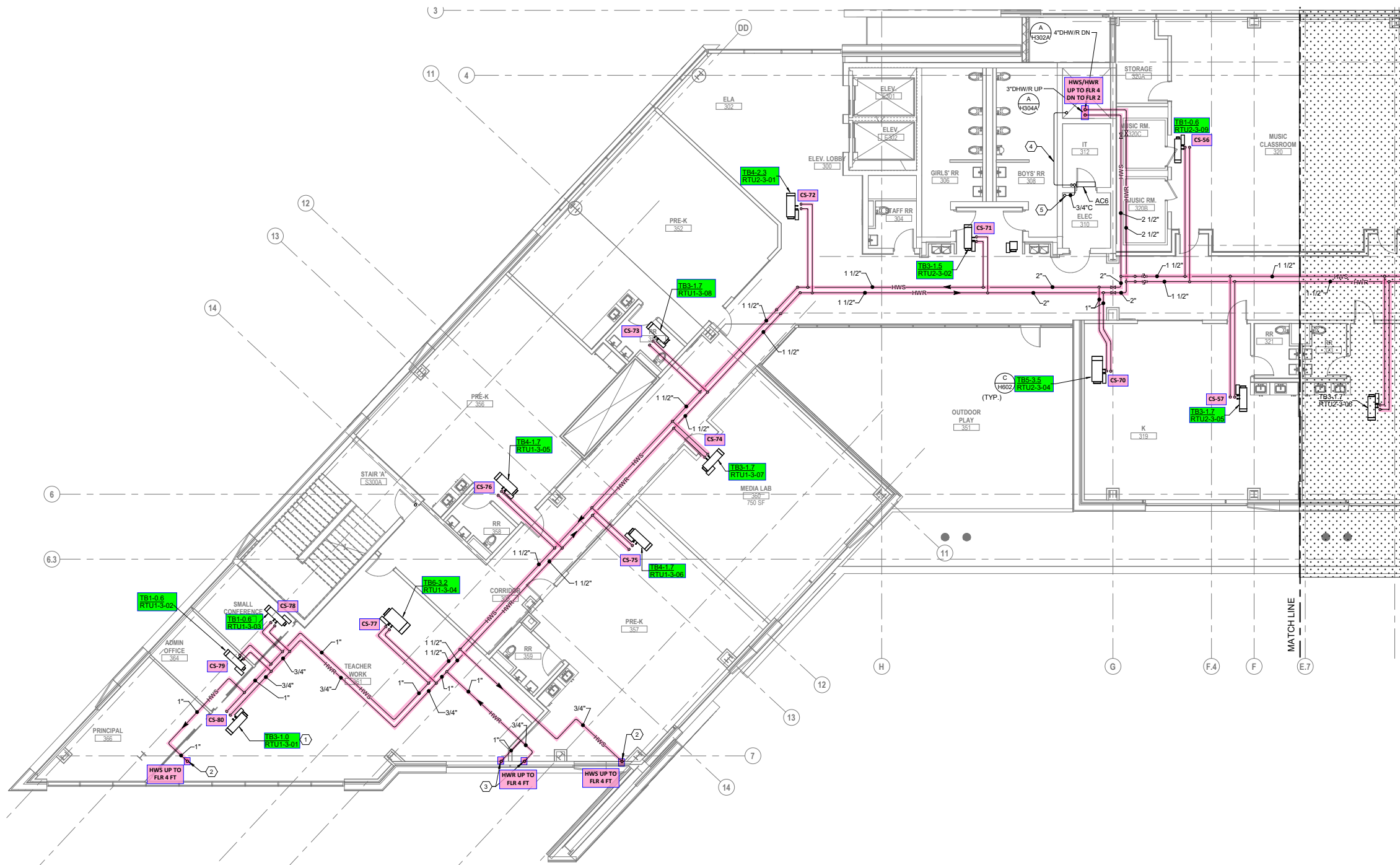
A FLOOR PLAN
FIRST FLOOR - AREA B







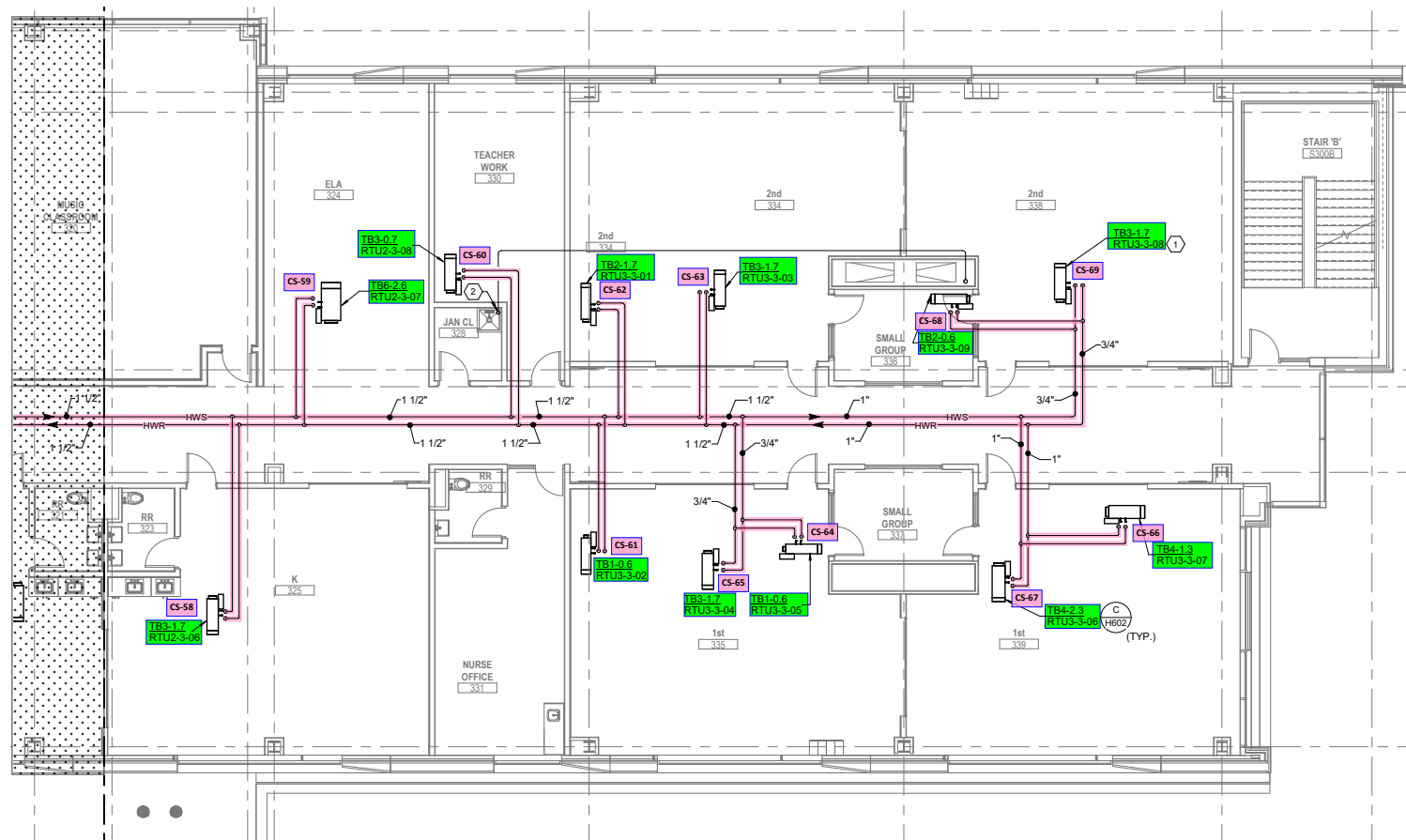
- CODED NOTES**
1. PROVIDE 3-WAY VALVE. REFER TO DETAIL AH602.
 2. HWS UP TO FINNED TUBE ABOVE.
 3. HWR UP TO FINNED TUBE ABOVE.
 4. PROVIDE REFRIGERANT LINESET FROM INDOOR UNIT TO OUTDOOR CONDENSER UNIT ON ROOF. SIZE PER MANUFACTURER'S INSTRUCTIONS. SINGLE LINE REPRESENTS BOTH PIPES IN LINESET.
 5. 1" CONDENSATE DRAIN DOWN THROUGH FLOOR OPENING TO BELOW.



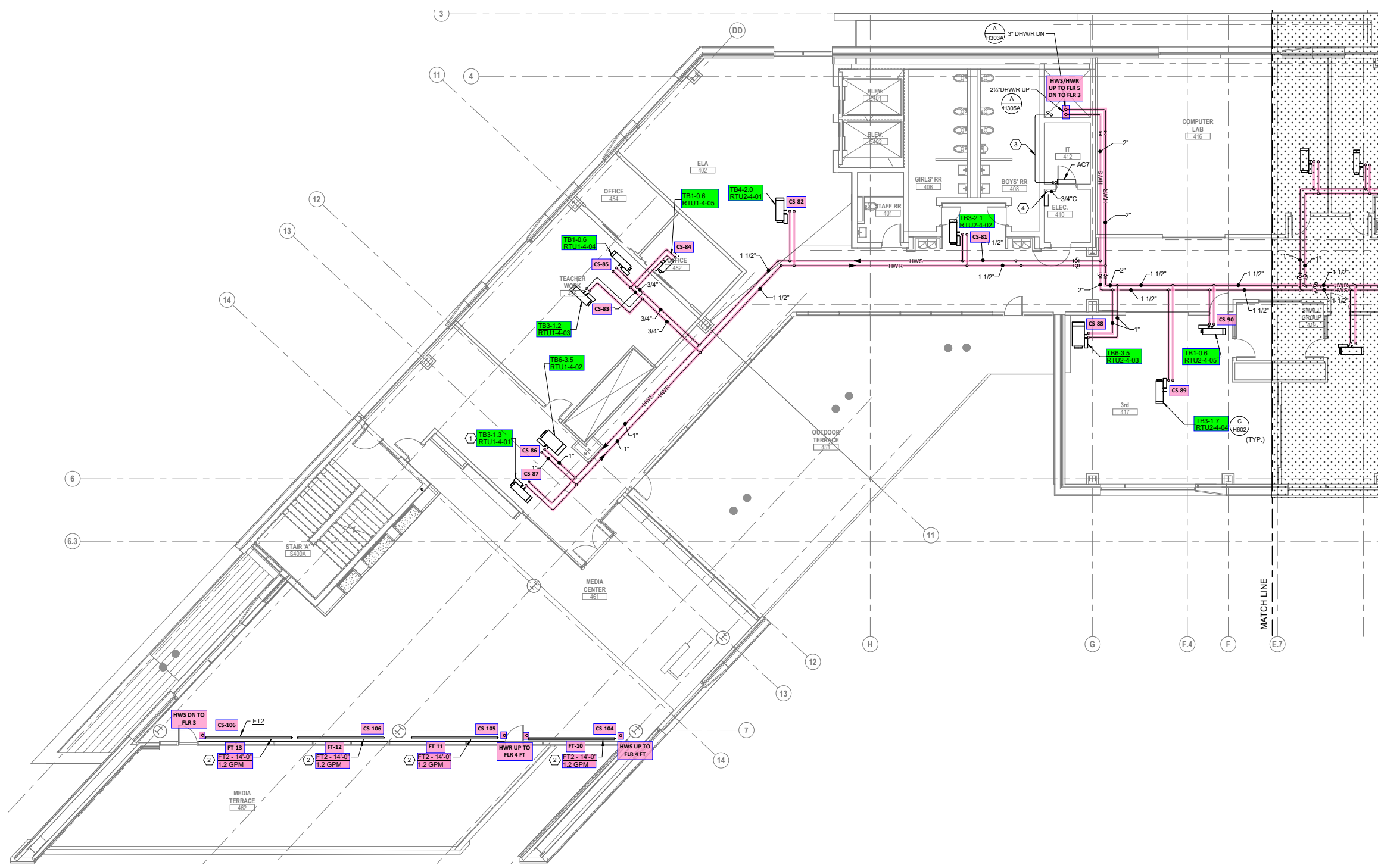
A FLOOR PLAN
THIRD FLOOR - AREA A

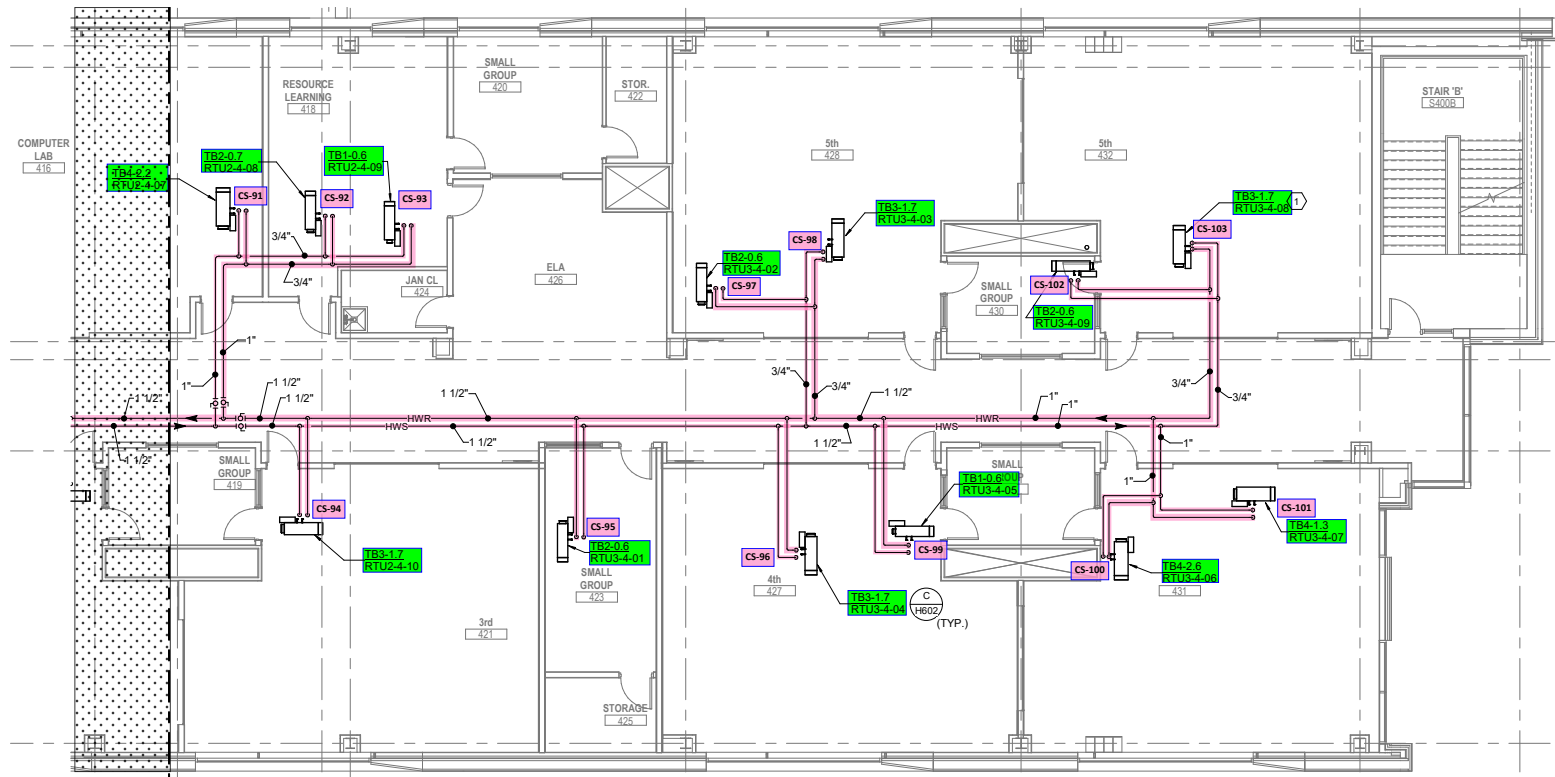


- CODED NOTES:
1. PROVIDE 3-WAY VALVE. REFER TO DETAIL AH602.
 2. ROUTE CONDENSATE DRAIN DOWN TO MOP SINK.



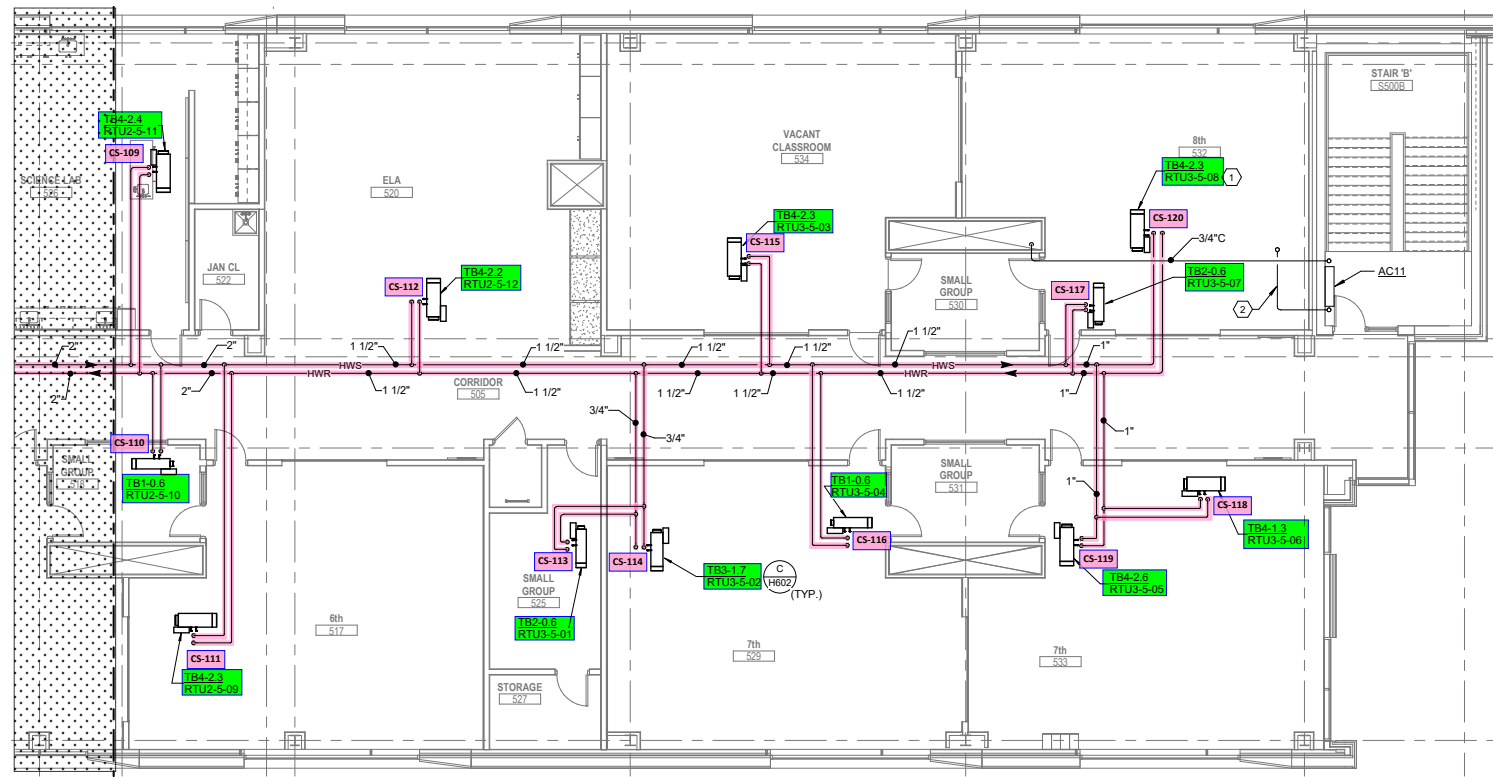
- CODED NOTES:**
1. PROVIDE 3-WAY VALVE. REFER TO DETAIL AH602.
 2. FINNED TUBE HWS & HWR SERVED FROM THIRD FLOOR CEILING.
 3. PROVIDE REFRIGERANT LINESET FROM INDOOR UNIT TO OUTDOOR CONDENSER UNIT ON ROOF. SIZE PER MANUFACTURER'S INSTRUCTIONS. SINGLE LINE REPRESENTS BOTH PIPES IN LINESET.
 4. 1" CONDENSATE DRAIN DOWN THROUGH FLOOR OPENING TO BELOW.

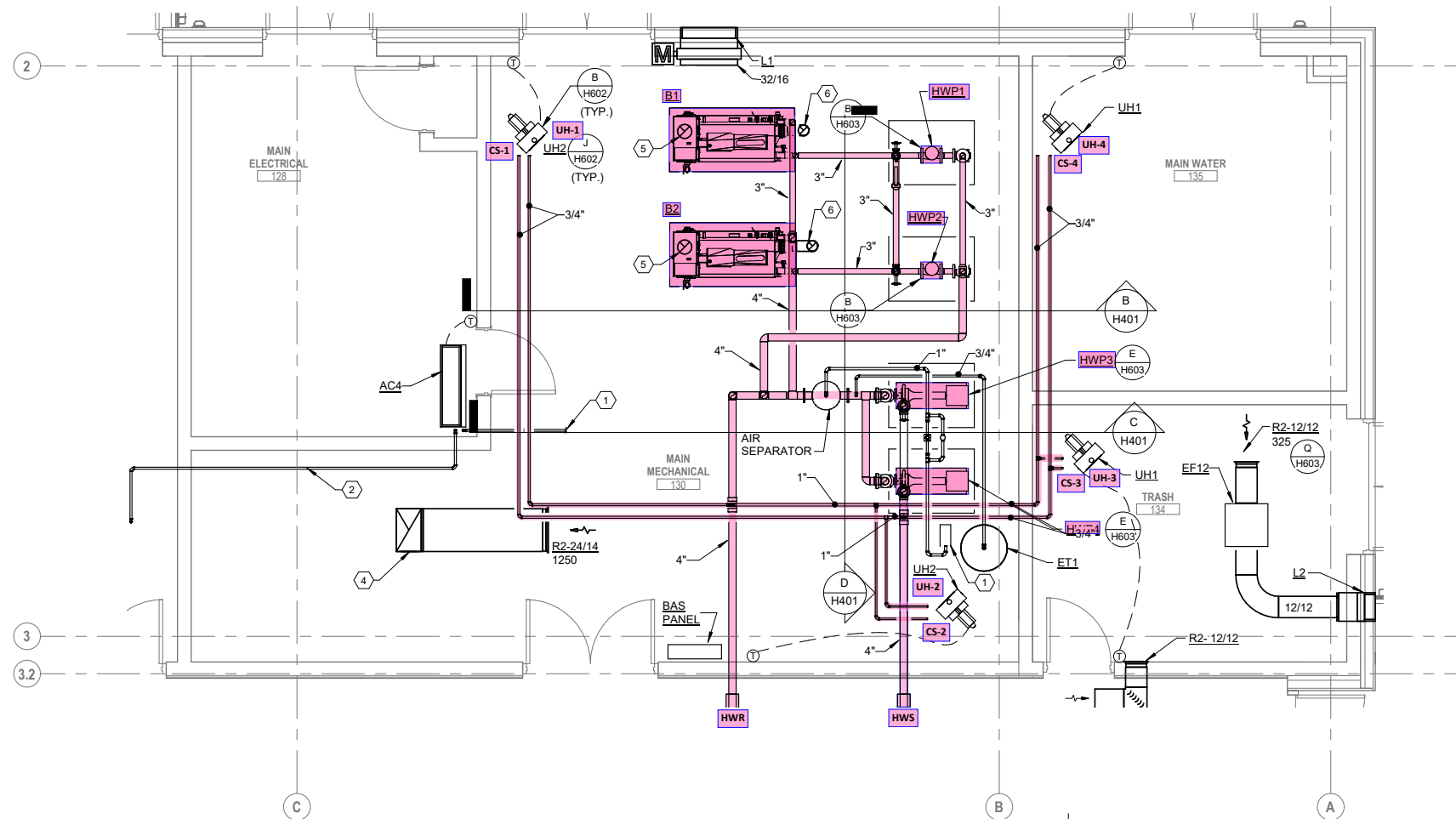




CODED NOTES:

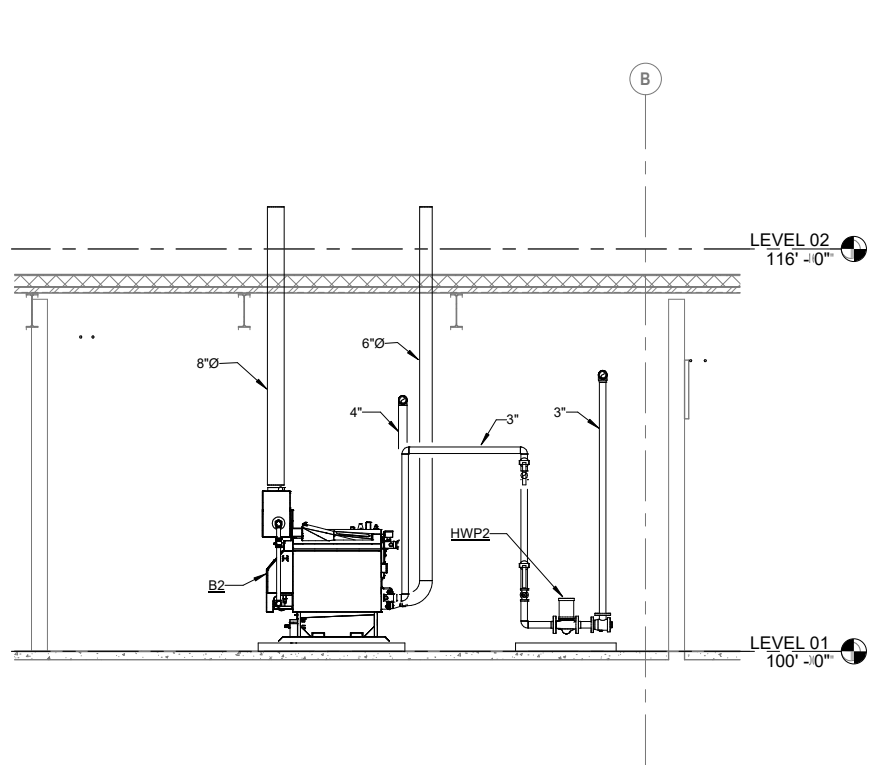
1. PROVIDE 3-WAY VALVE. REFER TO DETAIL AH602.
2. PROVIDE REFRIGERANT LINESET FROM INDOOR UNIT TO OUTDOOR CONDENSER UNIT ON ROOF. SIZE PER MANUFACTURER'S INSTRUCTIONS. SINGLE LINE REPRESENTS BOTH PIPES IN LINESET.



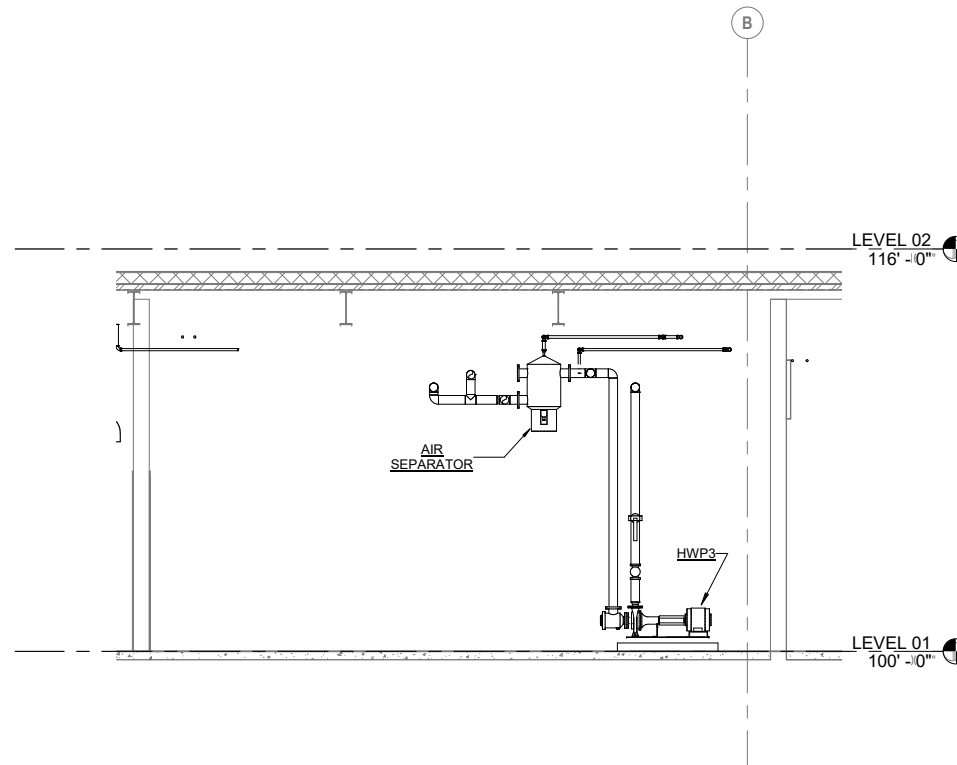


- CODED NOTES:**
1. APPROXIMATE LOCATION OF BACKFLOW PREVENTER BY PLUMBING CONTRACTOR. COORDINATE FINAL LOCATION IN FIELD. ALL PIPING DOWNSTREAM OF BACKFLOW PREVENTER SHALL BE BY THE HVAC CONTRACTOR.
 2. PROVIDE REFRIGERANT LINESET FROM INDOOR UNIT TO OUTDOOR CONDENSER UNIT ON ROOF. SIZE PER MANUFACTURER'S INSTRUCTIONS. SINGLE LINE REPRESENTS BOTH PIPES IN LINESET.
 3. ROUTE 3/4" CONDENSATE DRAIN TO NEAREST FLOOR DRAIN. TERMINATE WITH 2" AIR GAP.
 4. UP TO EF11 ON ROOF.
 5. 8 INCH COMBUSTION AIR UP THROUGH ROOF TO ITAKE GOOSENECK.
 6. 6 INCH BOILER FLUE UP THROUGH ROOF.

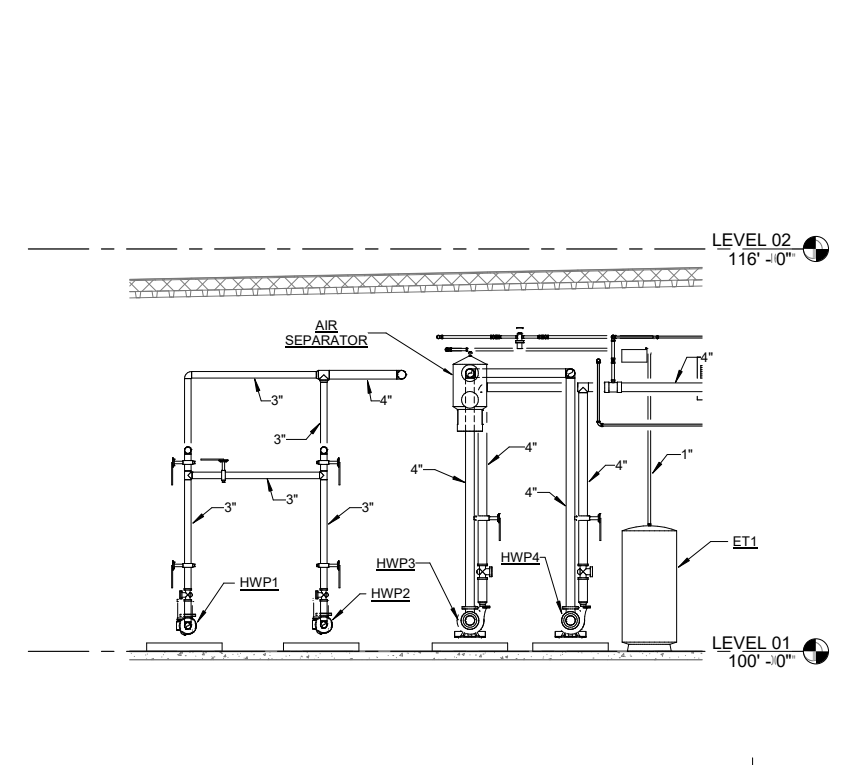
A ENLARGED PLAN
FIRST FLOOR MECHANICAL ROOM
SCALE: 1/4" = 1'-0"
0' 1' 2' 4'



B SECTION
B/H401
SCALE: 1/4" = 1'-0"
0' 1' 2' 4'



C SECTION
C/H401
SCALE: 1/4" = 1'-0"
0' 1' 2' 4'



D D/H401