

FOR QUESTIONS, CALL THE  
Maryland Mechanical  
REVISION  
PHONE (800) 900 0801  
EMAIL: md76@capvair.com

PATENT NUMBERS  
AG-PSP (UNITED STATES) - US PATENT 7963830 B2  
AG-PSP WALL (CANADA) - CA PATENT 2502000  
AG-PSP ISLAND (CANADA) - CA PATENT 2502000

HOOD INFORMATION - JOB#7145305										CHIMNEY FLOOR (STAINLESS)										LICE CODE	
HOOD NO.	TAG	MODEL	MANUFACTURER	LENGTH	MAX. DISCHARGE TEMP.	TYPE	APPLIANCE IDTY	DESIGN (1-4/1-1)	TOTAL FAN CFM	WIDTH	ENG.	HEIGHT	DIA.	CFM	VEL.	SP.	HPA CFM	AG CFM	FEET CLASSIFIED	END TO END	HTW
1	33	8333	NO-2-CAPV-AIR	31' 7"	600	1	HEAVY	200	2317			4'	16"	2317	1659	-0.765"	1854	939	430 SS	ALONE	ALONE

HOOD INFORMATION										UTILITY CABINETS									
HOOD NO.	TAG	TYPE	QTY	LENGTH	EFFICIENCY @ 7 MINS	QTY	TYPE	WIRE GAUGE	LOCATION	SIZE	TYPE	SIZE	ELECTRICAL	SWITCHES	FIRE SYSTEM	HOOD			
1	33	CAPTRATE SOLID FILTER	8	26"	16"	85%	SEE FILTER SPEC	6	LOSS SERIES E86	NO	RIGHT	12"x60"x30"	TANK FS	40/4-0	DCV-1111	1 LIGHT 1 FAN	YES	1154 LBS	

HOOD OPTIONS										
HOOD NO.	TAG	FIELD WRAPPER	INSULATION	INSULATION	INSULATION	INSULATION	INSULATION	INSULATION	INSULATION	
1	33	FIELD WRAPPER 1030"	HIGH FRONT, RIGHT	LEFT END STANDOFF (FINISHED)	1" WIDE 53" LONG INSULATED	INSULATION FOR EACH OF 1800"	RIGHT VERTICAL END PANEL	27" TOP WIDTH, 21" BOTTOM WIDTH, 80" HIGH	INSULATED 430 SS	LEFT WALL AS END PANEL

APPROPRIATE SUPPLY FLEXIBILITY											
HOOD NO.	TAG	POS.	LENGTH	WIDTH	HEIGHT	TYPE	WIDTH	LENGTH	DIA.	CFM	SP.
1	33	FRONT	150"	30"	6"	MJA	8"	35"	618	0.37"	
						MJA	8"	35"	618	0.37"	
						MJA	8"	35"	618	0.37"	
						MJA	8"	35"	618	0.37"	
						MJA	8"	35"	618	0.37"	

CLEARANCE TO COMBUSTIBLES		
HEIGHT	SUBSTRATE	MINIMUM CLEARANCE
10"	CEILING	18"
0"	FRONT	0"
0"	BACK	0"
0"	LEFT	0"
0"	RIGHT	0"

\* 18" CLEARANCE TO COMBUSTIBLES FOR EXTERNS TO UL 181 STANDARD.  
\* HOOD MOUNTED UTILITY CABINETS REQUIRE 36" SPACING CLEARANCE.

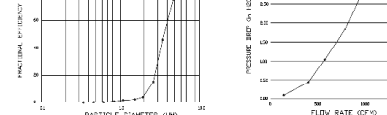
**SPECIFICATION: CAPTRATE™ GREASE-STOP® SOLID FILTER**

THE CAPTRATE GREASE STOP SOLID FILTER IS A SINGLE STAGE FILTER FEATURING A LARGE 5" Baffle DESIGN IN CONJUNCTION WITH A SLOTTED REAR Baffle DESIGN, 11 1/2" V-CUT FILTERS - 11 HANGING FILTERS.

FILTER IS 5" DIAMETER, 3" HIGH, 11 1/2" LONG AND STAYS IN PLACE INTO STANDARD 2" DIA. DUCT HOOD CHANNELS.

UNITS SMALL (INCLUDING STAINLESS STEEL PANELS AND A FASTENING DEVICE) TO SECURE THE UNIT COMPONENTS WHEN ASSEMBLED.

DESIGN IS IDEAL FOR SPHERICAL PARTICLES 5000 MICRONS AT LEAST AND IS IDEAL FOR GREASE PARTICLES FIVE MICRONS IN SIZE AND LONGER, WITH A CORRESPONDING PRESSURE DROP NOT TO EXCEED 10 INCHES 3" WATER GAUGE. THE CAPTRATE GREASE STOP IS TESTED TO ASTM STANDARD ASTM F200-05. MANUFACTURER APPROVED FOR USE IN SOLID FUEL APPLICATIONS AS A SMOKE ARRESTER.



CAPTRATE FILTERS ARE BUILT IN COMPLIANCE WITH:  
NSF  
UL STANDARD NO. 181  
ASTM STANDARD F200-05  
INT. MECH. CODE (IMC), LB-C-05049



**GREASE DUCT & CHIMNEY SPECIFICATIONS:**  
PROVIDE GREASE DUCT EQUAL TO CAPTIVEAIRE SYSTEMS MODEL "DW" ROUND PD GAUGE 430 STAINLESS STEEL DUCTWORK. MODEL "DW" IS LISTED TO UL-1978 AND IS INSTALLED USING "V" CLAMP LOCKING CONNECTIONS SEALED WITH 3M FIRE BARRIER 2000 PLUS. MODEL "DW" DOES NOT REQUIRE WELDING PROVIDING IT HAS BEEN INSTALLED PER THE MANUFACTURERS INSTALLATION GUIDE.  
PROVIDE RATED ACCESS DOORS AT EVERY CHANGE IN DIRECTION AND EVERY 12' ON CENTER. PER MANUFACTURERS LISTING MODEL "DW" HORIZONTAL RUNS LESS THAN 75 FT. CAN BE SLOPED 1/16" PER 12", HORIZONTAL RUNS MORE THAN 75 FT. CAN BE SLOPED 3/16" PER 12". DUCT SHOULD BE SLOPED AS MUCH AS POSSIBLE TO REDUCE THE CHANCE OF GREASE ACCUMULATION IN HORIZONTAL RUNS.

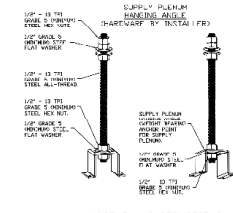
IF THE DUCT OR CHIMNEY IS WITHIN 18 INCHES OF COMBUSTIBLE MATERIAL, PROVIDE UL-2221 OR UL-103 HT LISTED DOUBLE WALL GREASE DUCT OR DOUBLE WALL CHIMNEY (QUA) TO CAPTIVEAIRE SYSTEMS MODEL "DW" PER PER TYPE HT, 3R, OR 3" ROUND PD GAUGE 430 STAINLESS INNER DUCT INSULATED WITH A 24 GAUGE 430 STAINLESS OUTER SHELL.

CAPTIVEAIRE SYSTEMS RECOMMENDS THE USE OF LISTED, PRE-FABRICATED ROUND GREASE EXHAUST DUCT TO REDUCE STATIC PRESSURE IN THE SYSTEM, MINIMIZE INSTALLATION AND INSPECTION TIMES, AND ENSURE DUCT IS LIQUID TIGHT

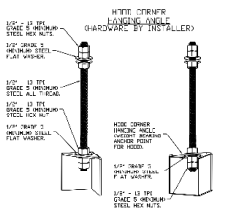
**HVAC DISTRIBUTION NOTE**  
HIGH VELOCITY DIFFUSERS OR HVAC RETURNS SHOULD NOT BE PLACED WITHIN TEN (10) FEET OF THE EXHAUST HOOD. PERFORMED DIFFUSERS ARE RECOMMENDED.

**VERIFY CEILING HEIGHT**  
HEIGHT REQUIRED TO VERIFY THAT HOOD FITS SPACE AND TO SIZE THE ENCLOSURE PANELS

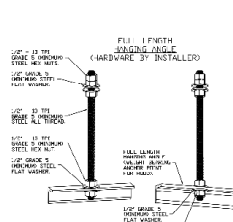
**CUSTOMER APPROVAL TO MANUFACTURE:**  
APPROVED AS NOTED   
APPROVED WITH NO EXCEPTION TAKEN   
REVISE AND RESUBMIT   
SIGNATURE \_\_\_\_\_  
YOUR TITLE \_\_\_\_\_ DATE \_\_\_\_\_



**ASSEMBLY INSTRUCTIONS**  
HANGING ANGLE MUST BE SUPPORTED WITH 1/2" - 13 TPI GRADE 5 (MINIMUM) ALL-THREAD SANDWICH HANGING ANGLES AND CEILING ANCHOR POINTS WITH 1/2" GRADE 5 (MINIMUM) STEEL FLAT WASHERS AND 1/2" - 13 TPI GRADE 5 (MINIMUM) HEX NUTS AS SHOWN. MUST USE DOUBLED HEX NUT CONFIGURATION ABOVE CEILING ANCHORS. SINGLE HEX NUT BENEATH HANGING ANGLE IS ACCEPTABLE FOR PSP HANGING ANGLES. MAINTAIN 1/4" OF EXPOSED THREADS BENEATH HANGING ANGLE. ALL HEX NUTS TO 57 FT-LBS.



**ASSEMBLY INSTRUCTIONS**  
HANGING ANGLE MUST BE SUPPORTED WITH 1/2" - 13 TPI GRADE 5 (MINIMUM) ALL-THREAD SANDWICH HANGING ANGLES AND CEILING ANCHOR POINTS WITH 1/2" GRADE 5 (MINIMUM) STEEL FLAT WASHERS AND 1/2" - 13 TPI GRADE 5 (MINIMUM) HEX NUTS AS SHOWN. MUST USE DOUBLED HEX NUT CONFIGURATION ABOVE CEILING ANCHORS. SINGLE HEX NUT BENEATH HANGING ANGLE IS ACCEPTABLE FOR FULL LENGTH HANGING ANGLES. MAINTAIN 1/4" OF EXPOSED THREADS BENEATH HANGING ANGLE. ALL HEX NUTS TO 57 FT-LBS.



**ASSEMBLY INSTRUCTIONS**  
HANGING ANGLE MUST BE SUPPORTED WITH 1/2" - 13 TPI GRADE 5 (MINIMUM) ALL-THREAD SANDWICH HANGING ANGLES AND CEILING ANCHOR POINTS WITH 1/2" GRADE 5 (MINIMUM) STEEL FLAT WASHERS AND 1/2" - 13 TPI GRADE 5 (MINIMUM) HEX NUTS AS SHOWN. MUST USE DOUBLED HEX NUT CONFIGURATION ABOVE CEILING ANCHORS. SINGLE HEX NUT BENEATH HANGING ANGLE IS ACCEPTABLE FOR FULL LENGTH HANGING ANGLES. MAINTAIN 1/4" OF EXPOSED THREADS BENEATH HANGING ANGLE. ALL HEX NUTS TO 57 FT-LBS.

**DETAIL GENERAL NOTE**  
DETAILS PROVIDED ON THE PLAN ARE FOR REFERENCE ONLY. FINAL EQUIPMENT MOUNTING AND EQUIPMENT STANDS ARE TO BE PROVIDED BY THE EQUIPMENT VENDOR OR CONTRACTOR.

**REVISIONS**

NO.	DESCRIPTION	DATE

**CAPTIVEAIRE**

Maryland Mechanical  
800 (888) 900 0801 FAX: 410 276 2222  
www.capvair.com  
info@capvair.com

100 Woodmont Avenue, Suite 200, Beltsville, MD, 20814  
Cava, Beverly, MA RI  
47 Dodge Street,  
Beverly, MA, 01915

DATE: 11/19/2024  
DWG.#: 7145305  
DRAWN BY: JPH - 76  
SCALE: 3/4" = 1'-0"  
MASTER DRAWING

SHEET NO. 1

ferris+sloane

CAVA #010540  
47 Dodge St.  
Beverly, MA 01915  
FOR CAVA  
14 Ridge Square NW #500, WASHINGTON, DC 20016

MECHANICAL HOOD DETAIL PLAN

SHEET: M601

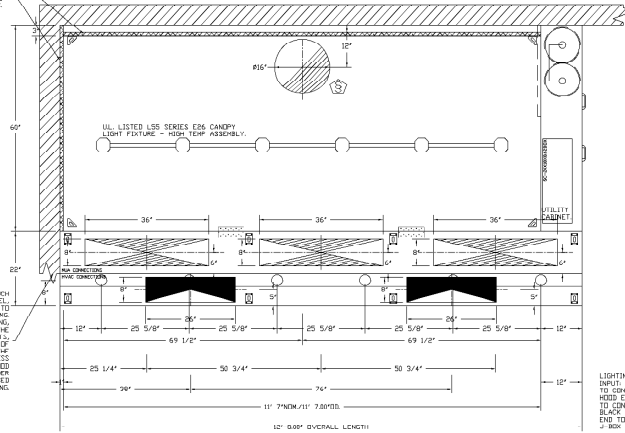
engineering consultants  
200 10th Ave SE, Ste 1100, Atlanta, GA 30309  
© 2024 Ferris + Sloane

1/3/2025 5:56:03 PM

1" LAYER OF INSULATION FACTORY  
INSTALLED IN INTERNAL SHOCK STANDOFF.  
MEETS 0 INCH REQUIREMENTS FOR  
CLEARANCE TO COMBUSTIBLE SURFACES.

1" LAYER OF INSULATION  
FACTORY INSTALLED IN  
100" END STANDOFF MEETS  
0" REQUIREMENTS CLEARANCE  
TO COMBUSTIBLE SURFACE.

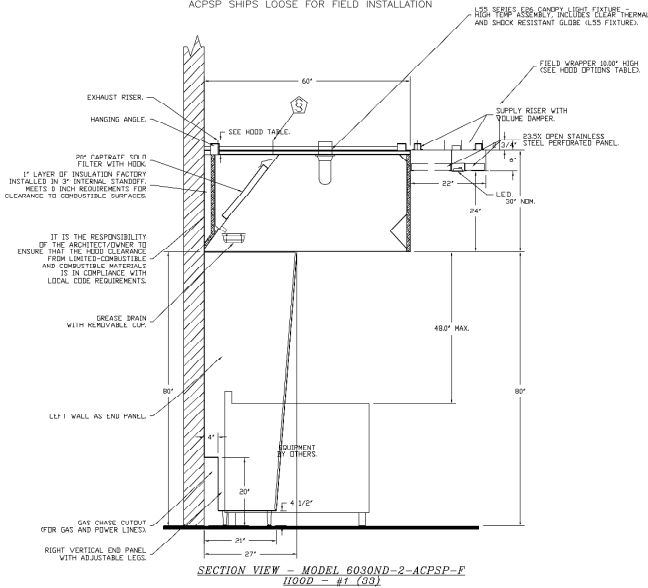
INSTALLER MUST CONFIRM HOOD IS INSTALLED SUCH  
THAT THE SPECIFIED WALL ACTING AS AN END PANEL  
IS MAILED TO THE CORNER END OF HOOD TO  
ACHIEVE A REDUCED MINIMUM EXHAUST CFM LISTING  
NON-COMPLIANCE WILL NULLIFY THE ETL LISTING.  
VOID THE MANUFACTURER'S WARRANTY, AND HOLD THE  
CONTRACTOR LIABLE FOR ANY AND ALL LOSSES, COSTS,  
AND EXPENSES RELATED TO THE NON-COMPLIANCE OF  
THE MANUFACTURER'S SUPPORTER. INTERFERING THE  
WALL ACTING AS AN END PANEL MUST EXTEND NO LESS  
THAN 20" FROM THE INTERSECTING WALL ON WHICH HOOD  
IS MOUNTED AND MUST EXTEND NO LESS THAN 25" UNDER  
BOTTOM OF HOOD TO BE CLEAR FOR REDUCED  
MINIMUM EXHAUST CFM LISTING.



LIGHTING FOR ACPSP JOB # 7145305 - HOOD #  
INPUT: 200V AC, 1 PHASE, 50/60HZ, 325 WATTS PER LIGHT.  
TO CONTROL LIGHTS WITH HOOD LIGHT SWITCH, WIRE FOR  
HOOD ELECTRICAL CONTROL PANEL SCHEMATIC  
TO CONTROL LIGHTS WITH BUILDING LIGHT SWITCH, WIRE  
BLACK AND WHITE WIRE TO A COMMON RETURN  
END TO END ACPSPS REQUIRE JOYING FIELD WIRING FROM  
A BOX TO A BOX REPLACE LIGHTS WITH LIGHTS ONLY.

PLAN VIEW - HX100 #1 (S.S.)  
11' 7.00" LONG 6030ND-2-ACPSP-F

ACPSP SHIPS LOOSE FOR FIELD INSTALLATION



IT IS THE RESPONSIBILITY  
OF THE ARCHITECT/OWNER TO  
ENSURE THAT THE HOOD CLEARANCE  
FROM LIMITED-COMBUSTIBLE  
AND COMBUSTIBLE MATERIALS  
IS IN COMPLIANCE WITH  
LOCAL CODE REQUIREMENTS.

SECTION VIEW - MODEL 6030ND-2-ACPSP-F  
1190D - #1 (S.S.)

REVISIONS

NO.	DESCRIPTION	DATE
1		
2		
3		
4		



Maryland Mechanical  
810 Woodmont Avenue, Suite 120, Bethesda, MD, 20814 PHONE: (301) 881-0811 FAX: (301) 881-0811 EMAIL: mjm@b3pdm.com

Cava - Beverly, MA\_R1  
47 Dodge Street,  
Beverly, MA, 01915

DATE: 11/19/2024  
DWG.#: 7145305

DRAWN BY: JPH - 76  
FOR PROJECT NUMBER: CAV058

SCALE: 3/4" = 1'-0"  
MASTER DRAWING

SHEET NO. 2

DETAIL GENERAL NOTE  
DETAILS PROVIDED ON THE PLAN ARE FOR  
REFERENCE ONLY. FINAL EQUIPMENT  
MOUNTING AND EQUIPMENT STANDS ARE TO  
BE PROVIDED BY THE EQUIPMENT VENDOR OR  
CONTRACTOR.



ferris+sloane  
1076 Lyndon Drive, Suite 400, Silver Spring, MD 20910

CAVA

CAVA #010540  
47 Dodge St.  
Beverly, MA 01915  
FOR CAVA  
14 Ridge Square NW #500, WASHINGTON, DC 20016

AOR PROJECT NUMBER: CAV058

ISSUE	DATE
SD SET	07.12.2024
PERMIT	08.10.24
REV	10.04.24
IFC	01.03.25

MECHANICAL HOOD DETAIL PLAN

SHEET: M602

**FIRE SYSTEM INFORMATION - JOB#7145305**

FIRE SYSTEM NO	TAG	TYPE	SIZE	MAX FP	DESIGN FP	INSTALLATION	
						SYSTEM	LOCATION ON HOOD
1		TANK FS	4.0/4.0	40	37	FIRE CABINET RIGHT	RIGHT, HOOD 1

**FIRE SYSTEM PARTS LIST KEY**

FIRE SYSTEM NO	TAG	KEY NUMBER - PART DESCRIPTION	QTY BY FACTORY	QTY BY DIST
0	-	TANK FIRE SUPPRESSION POST-DISCHARGE PROCEDURE UTILITY CABINET LABEL SHEET.	1	0
0	-	TANK FIRE SUPPRESSION MAINTENANCE GUIDE UTILITY CABINET LABEL SHEET.	1	0
0	-	12-F28091-32144-DT-340 DUCT FIRE THERMOSTAT WITH 12 FOOT WIRE LEADS - NO. CLOSE ON TEMP RISE AT 360°F. 6A0034300.	1	0
0	-	30-00000 QUICK SEAL - 1/2" HOSE.	1	0
0	-	44E9K153 1/2" MALE NPT TO 1/2" FEMALE NPT ELBOW, BRASS.	2	0
0	-	44E9K422 1/2" X 1/4" BRASS REDUCING BUSHING.	1	0
0	-	79525 1/2" X 90 FIBER PRESS CLOUD WITH 3/16" NPT FEMALE CONNECTION, VIEGA.	1	0
0	-	79500 1/2" X 1/2" FIBER PRESS TEE X 1/2" NPT FEMALE CONNECTION, VIEGA.	2	0
0	-	87-180042-001 SECONDARY ACTUATOR VALVE (SVA) - SINGLE ACTUATOR, REQUIRES PRIMARY RELEASE ACTUATOR, TANK FIRE SUPPRESSION.	1	0
0	-	87-180045-001 HOSE, SECONDARY ACTUATOR HOSE, 75' BRAIDED STAINLESS STEEL, TANK FIRE SUPPRESSION.	1	0
0	-	87-300001-001 TANK - PRESSURIZED TANK USED FOR TANK FIRE SUPPRESSION.	2	0
0	-	87-300030-001 PRIMARY ACTUATOR KIT (PAK) - ACTUATOR AND RELEASE SOLENOID ASSEMBLY, ONE REQUIRED PER FIRE SYSTEM, SUPERVISED, TANK FIRE SUPPRESSION.	1	0
0	-	87-300152-001 HARDWARE, SVA BOLTS, TANK FIRE SUPPRESSION.	8	0
0	-	905545500 PRO PRESS 1/2" PRESS X PRESS 90 ELBOW L.D.	6	0
0	-	406720000 PRO PRESS 1/2" PRESS TEE 1.0	7	0
0	-	88694415 HARDWARE, INSTANTLOCK LOCKING BRACKET SQUARE NUTS 5/16" ZINC, TANK FIRE SUPPRESSION.	4	0
0	-	A0034328 JUNCTION BOX FOR MANUAL PULL STATION 1.5" DEEP BLACK BOX, RED COLOR.	1	0
0	-	R1484 1/4" NPT SCHWABER VALVE AND CAP, JB INDUSTRIES 1/4" FLARE X 1/4" NPT HALF UNION, USED ON TANK SERVICE PORT.	1	0
0	-	B1145 3/8" BLACK IRON 90 ELL.	3	0
0	-	DATANALOG DISCHARGE ADAPTER TANK LOCKING PLATE FOR FIRE SYSTEM TANK INSTALLATION IN UTILITY CABINETS, TANK FIRE SUPPRESSION.	2	0
0	-	TANK STRAP TANK STRAP - USED FOR TANK FIRE SUPPRESSION.	6	0
0	-	TFS-OUTWATERCLOSET TANK BRACKET FOR FIRE SYSTEM TANK INSTALLATION IN UTILITY CABINETS, TANK FIRE SUPPRESSION.	2	0
0	-	WK-283952-000 DISCHARGE ADAPTER, TANK FIRE SUPPRESSION.	2	0
16	-	16 - 16 - 79010 1/2" X 3/8" NPT MALE ADAPTER, VIEGA.	8	0
16	-	16 - 16 - DL-F NOZZLE APPLANCE PROTECTION APPLANCE COVERAGE NOZZLE (INCLUDES METAL BLOW OFF CAP, LANYARD, USED WITH CHROME PLATED PIPING).	8	0
26	-	26 - 26 - 02A-3/8 QUICK SEAL - 3/8" OUL.	8	0
34	-	34 - 34 - A0034328 DEVICE, SINGLE ACTION MANUAL ACTUATION DEVICE (PUSH/PULL STATION) WITH PROTECTIVE COVER, ONE (1) NORMALLY OPEN CONTACT, RED COLOR.	1	0

**NOTES**

- FIELD PIPE DROPS AS SHOWN
- PIPING, ELBOWS, TEES, AND NOZZLES SUPPLIED BY CAS
- FIELD INSTALLED DROP; FACTORY WILL PROVIDE QTY 2 60IN LONG PIECES OF CHROME PLATED PIPING SHIPPED LOOSE TO BE FIELD-INSTALLED.
- SHIP LOOSE DROP; FACTORY WILL PROVIDE THE EXACT CHROME PIPE LENGTH NEEDED SHIPPED LOOSE TO BE FIELD INSTALLED.
- RELOCATE NOZZLES IF FLOW PATTERN IS BLOCKED BY SHELVING, SINKHANDERS, ETC.
- OVERLAPPING COVERAGE SHALL NOT BE USED ON ANY APPLIANCE WITH AN OBSTRUCTION
- IF APPLICABLE, EXTENDED PRE-PIPED DROPS ARE SHIPPED LOOSE.
- FACTORY PIPING EXTENDS A MAXIMUM OF 4" ABOVE THE TOP OF THE HOOD.
- APPLIANCE DIMENSIONS LISTED REPRESENT THE COOKING SURFACE SIZE, NOT THE OVERALL APPLIANCE SIZE.
- THIS FIRE SYSTEM COMPLIES WITH UL 300 REQUIREMENTS.
- DL-F NOZZLE PART NUMBER REPLACES 3070-2/9H-10-SS
- DR # : 7145305
- JOB NAME: CAVA - BEVERLY, MA, RI.

SYSTEM SIZE: TANK-SP-2 DESIGN FP: 37, MAXIMUM FP: 40.  
 HOOD # 1 11" 7.00" LONG x 60" WIDE x 30" HIGH  
 RISER # 1 SIZE: 16" DIA  
 HOOD # 1 METAL BLOW-OFF CAPS INCLUDED.

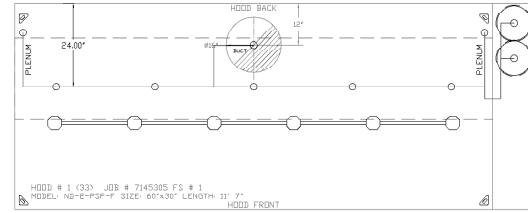
- HEAVY-DUTY APPLIANCES (RATED 600°F) WILL REQUIRE AN ADDITIONAL DOWNSTREAM FIRESTAT IN THE EVENT THAT THE DUCTWORK CONTAINS ANY HORIZONTAL RUNS OVER 25 FT IN LENGTH.
- MEDIUM TO LIGHT-DUTY APPLIANCES (RATED 450°F) WILL NOT REQUIRE ANY ADDITIONAL DOWNSTREAM DETECTION.

AGENT DISTRIBUTION PIPING LIMITATIONS	
PIPE SECTION	MAX PIPE LENGTH (FT)
MAX SUPPLY LINE TO FIRST OVERLAPPING NOZZLE	48
OVERLAPPING NOZZLE APPLIANCE BRANCH	10
DEDICATED NOZZLE APPLIANCE BRANCH	10

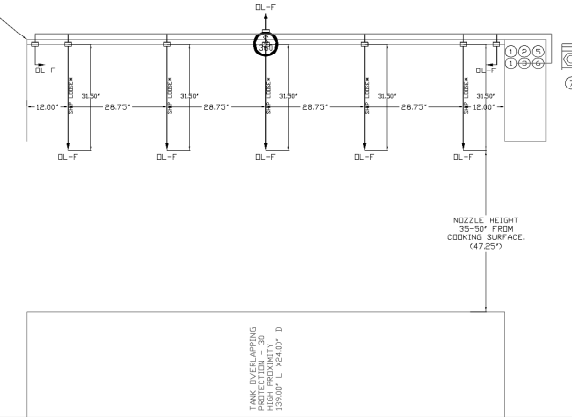
**LEGEND - FIRE CABINET TANK SYSTEM**

- 1 4 GALLON TANK.
- 2 PRIMARY ACTUATOR RELEASE.
- 3 SECONDARY ACTUATOR RELEASE.
- 4 PROFESSIONAL SUPERVISION SWITCH.
- 5 PRIMARY HOSE ASSEMBLY.
- 6 SECONDARY HOSE ASSEMBLY.
- 7 REMOTE MANUAL ACTUATION DEVICE.

INCLUDES FIELD INSTALLATION AND HOOKUP DURING NORMAL BUSINESS HOURS BY CERTIFIED INSTALLERS ONLY IN THE LOCATION NOTED ABOVE. TWO SITE VISITS ONLY (ONE VISIT TO SET PULL STATION & SYSTEM HOOKUP AND ONE VISIT FOR ONE TEST, ADJUSTMENT, VISITS WILL RESULT IN ADDITIONAL CHARGES). ONE MECHANICAL OR ELECTRICAL GAS VALVE PER SYSTEM AT A MAXIMUM SIZE OF 2 1/2" NIBERIT, AND SYSTEM TEST EXCLUDES UNION LABOR & PREVAILING WAGE (LABOR & WAGES WILL BE ADDED BY APPLICABLE GAS VALVE INSTALLATION, ELECTRICAL, HOSE/KIP AND CONNECTIONS, HANGING OF FIRE CABINET, SHUNT TRIP, HANDHELD EXTINGUISHER(S), ON-SITE RE-PIPING DUE TO EQUIPMENT LAYOUT CHANGES.



FACTORY PIPING EXTENDS A MAXIMUM OF 4" ABOVE THE TOP OF THE HOOD



THIS SYSTEM REQUIRES A MINIMUM OF 7 FT OF EQUIVALENT PIPE LENGTH BETWEEN THE HOOD NEAREST APPLIANCE NOZZLE FOR MOST APPLIANCES. EACH 90 DEGREE ELBOW ADDS 10 FT OF EQUIVALENT LENGTH. SEE MANUAL FOR DETAILS.

REVISIONS	
NO.	DESCRIPTION

**CAPTIVE FIRE**  
 Maryland Mechanical  
 815 Woodmont Avenue, Suite 201, Bethesda, MD 20814-1406 (410) 885-1881 FAX: 301-222-7255 EMAIL: mjm@captivemechanical.com

Cava - Beverly, MA, RI  
 47 Dodge Street,  
 Beverly, MA, 01915

DATE: 11/19/2024  
 DWG.#: 7145305

DRWN BY: JPH - 76  
 AOR PROJECT NUMBER: CAV558

SCALE: 3/4" = 1'-0"  
 MASTER DRAWING

SHEET NO. 3

**DETAIL GENERAL NOTE**  
 DETAILS PROVIDED ON THE PLAN ARE FOR REFERENCE ONLY. FINAL EQUIPMENT MOUNTING AND EQUIPMENT STANDS ARE TO BE PROVIDED BY THE EQUIPMENT VENDOR OR CONTRACTOR.

**rtm**  
 engineering consultants  
 200 10th Ave SE, Suite 1100, Atlanta, GA 30334  
 404.525.8800

**ferris+sloane**  
 107N. Lincoln Drive, Suite 400, Silverdale, WA 98151

**CAVA**  
 CAVA #010540  
 47 Dodge St.  
 Beverly, MA 01915  
 FOR CAVA  
 14 Ridge Square NW #500, WASHINGTON, DC 20016

**M603**

**EXHAUST FAN INFORMATION - JOB#7145305**

FAN UNIT NO.	TAG	QTY	FAN UNIT MODEL #	MANUFACTURER	CFM	ESP	RPM	NOTES ENCL.	HP	3HP	PHASE	VCLT	FLA	DISCHARGE VELOCITY	WEIGHT (LBS)	SOLES
1	MEV-1	1	US318TL-8W	CAPTIVEAIR	2317	2100	1303	QSP PREMIUM	1.500	12420	3	288	6.6	1188 FPM	416	201

**ROAS/RTU FAN SCHEDULE - JOB#7145305**

FAN UNIT NO.	TAG	QTY	ROAS/RTU MODEL #	MANUFACTURER	BLOWER	RETURN AIR CFM	MAX. FILTERED AIR CFM	TOTAL CFM	WEIGHT (LBS)	ELECTRICAL INFORMATION										BUILDING INFORMATION					GAS FAN INFORMATION			AIR FLOW/TEMP. V. I. INFO			NOTES					
										ESP	HP	PHASE	VCLT	NCA	MOCP	DIS. DR.	WR	BR	WR	BR	WR	BR	SP	11114	SP.K.S.	ICER	ISMRE	GAS TYPE	INPUT BTU/H	OUTPUT BTU/H		TEMP. RISE	REQUIRED INPUT GAS PRESSURE	ROOM AREA (SQ. FT.)	AIRFLOW (CFM)	HEIGHT (FT.)
2	MJA-1	1	CA2TU-1200-10-01-MFU	COIN-AIR	10P-1	0	1054	1054	101	0.750	2.00	3	200	24.5A	20A	95.4"V	75.7"V	95.4"V	75.7"V	75.5"V	70.4"V	68.1"V	28.4 MB	28.3 MB	17.9	6.1	NATURAL	160000	136750	62°F	7 IN. W.C.	- 14 IN. W.C.	235	423	7.2	1.9, 3.4, 5.6, 7.8, 9.0, 11.1, 13.1, 15.4

**NOTES:**

1. INLETTER SCROLL COMPRESSOR WITH INTEGRATED OIL SERVICE. DIGITAL 3M STABLE SCROLL NOT AN APPROVED EQUAL.
2. DIRECT DRIVE PLENUM BLOWER. BELT DRIVEN BLLOWERS ARE NOT ACCEPTABLE.
3. INTEGRATED MONITORING AND CELLULAR CONNECTION BY MANUFACTURER.
4. REFRIGERATION PRESSURE MONITORING ON HIGH AND LOW PRESSURE SIDE OF SYSTEM INCLUDED THROUGH DIGITAL INTERFACE.
5. EC MOTOR CONDENSING FANS.
6. ELECTRICAL INFORMATION SUBJECT TO APPROVAL.
7. XV NOT ACCEPTABLE.
8. Suction PUMP ACCUMULATOR.
9. FACTORY COMMISSIONING WITH 5 YEAR PARTS WARRANTY, 25 YEAR WARRANTY ON STAINLESS STEEL HEAT EXCHANGER.
10. AVERAGING INTAKE, EVAP AND DISCHARGE TEMPERATURE SENSORS (DISCHARGE SENSOR TO BE FACTORY MOUNTED WITHIN UNIT).
11. 80% EFFICIENT FURNACE WITH REGULATING VALVES TO MAINTAIN CONSTANT COMBUSTION EFFICIENCY ACROSS Firing RANGE. S1 TURNDOWN WITH NG AND S4 TURNDOWN WITH LP.
12. SUPPLY CFM MONITORING INTEGRAL TO UNIT WITH CFM MEASUREMENT INCLUDED THROUGH DIGITAL INTERFACE.
13. 1" EXTERIOR DRAINAGE CONSTRUCTION W/ 1/2" INSULATION-MODULUM EXTERIOR W/ 3/8" ROSE.
14. S1 DISCHARGE/NET RETURN.
15. WALKWAY AREA ASSUMED 7/2" SUPPLY EXHAUST HEIGHT ARE IS CALCULATED PER UL60555-2-40 4 M L.S. VALUES BASED ON FACTORY LABEL. ACTUAL SILENCE MAY BE +/-

**FAN OPTIONS**

FAN UNIT NO.	TAG	QTY	DESCRIPTION
1	MEV-1	1	1. BIR - INLET SERVICE BUILT CONNECTION USED TO CONNECT TO STANDARD 20" GREASE DUCT OR FIELD WELDED DUCT. INCLUDES (4) 7" RISERS BELTED TO STANDARD INLET RISER.
			1. UTILITY GFT GREASE FIB
			1. BIR - 2" DISCHARGE EXHAUSTION
			2. BIR - DISCHARGE EXHAUSTION VERTICAL UPPER LEFT - CW INLET SIDE.
			1. BIR - INLET CONNECTION STANDARD 20" FLANGE 0.5" SPAN. BUILT
			1. UTILITY SET - SPRING VIBRATION ISOLATORS - BIR / EQUIVALENT SIZED UTILITY SET INSTALLED UNDER USE
			1. 5 YEAR PARTS WARRANTY
			1. INLET PRESSURE GAUGE, 0-25"
			1. MONITORED PRESSURE GAUGE, 0 TO 20" W.C. 1 FURNACE
			1. TOTAL CFM MONITORING
2	MJA-1	1	1. INTAKE FIRESTAT SET TO 155°F
			1. FREEZER/STAT
			1. DISCHARGE FIRESTAT SET TO 240°F
			1. SNIP-TITERS GAS S. WATER 3/24"
			1. GAS/LEAK MONITORING SYSTEM - INTERNET OR CELLULAR CONNECTION REQUIRED
			1. 2" MEV-13 FILTERS FOR RTU (QTY. 4)
			1. 2" MEV-13 FILTERS FOR RTU (QTY. 4)
			1. RTU CLEARED DUCT HANGERS
			1. RTU SIB - DISCHARGE
			1. RTU NC RETURN - 100% DA - PFC
2	MJA-1	1	1. R454B - 3 TON MODULATING COILING OPTION, R454B REFRIGERANT, VARIABLE SPEED COMPRESSOR, BL COIL CONDENSING FAN
			1. R454B - 3 TON MODULATING COILING OPTION, R454B REFRIGERANT, VARIABLE SPEED COMPRESSOR, BL COIL CONDENSING FAN
			1. R454B - 3 TON MODULATING COILING OPTION, R454B REFRIGERANT, VARIABLE SPEED COMPRESSOR, BL COIL CONDENSING FAN
			1. R454B - 3 TON MODULATING COILING OPTION, R454B REFRIGERANT, VARIABLE SPEED COMPRESSOR, BL COIL CONDENSING FAN
			1. R454B - 3 TON MODULATING COILING OPTION, R454B REFRIGERANT, VARIABLE SPEED COMPRESSOR, BL COIL CONDENSING FAN
			1. R454B - 3 TON MODULATING COILING OPTION, R454B REFRIGERANT, VARIABLE SPEED COMPRESSOR, BL COIL CONDENSING FAN
			1. R454B - 3 TON MODULATING COILING OPTION, R454B REFRIGERANT, VARIABLE SPEED COMPRESSOR, BL COIL CONDENSING FAN
			1. R454B - 3 TON MODULATING COILING OPTION, R454B REFRIGERANT, VARIABLE SPEED COMPRESSOR, BL COIL CONDENSING FAN
			1. R454B - 3 TON MODULATING COILING OPTION, R454B REFRIGERANT, VARIABLE SPEED COMPRESSOR, BL COIL CONDENSING FAN
			1. R454B - 3 TON MODULATING COILING OPTION, R454B REFRIGERANT, VARIABLE SPEED COMPRESSOR, BL COIL CONDENSING FAN

**FAN ACCESSORIES**

FAN UNIT NO.	TAG	EXHAUST		SUPPLY			
		GREASE CLIP	GRAVITY LAMP	WALL MOUNT	SIDE DISCHARGE	GRAVITY LAMP	PETORIZED DAMPER
1	MEV-1	1	1	1	1	1	1

**CURB ASSEMBLIES**

NO.	IN FAN	TAG	WEIGHT	ITEM	SIZE
1	1	MEV-1	50 LBS	RAIL	4.000" W X 4.000" L X 0.500" H COMES AS A SET 3" D.
2	2	MJA-1	103 LBS	CLRB	41.000" W X 7.000" L X 28.000" H INSULATED

**HPI SCHEDULE**

UNIT NUMBER	HPI #	HPI LOCATION	TEMP AVERAGING	MIDRISK
FAN #2	HPI #1 - UNIT	IN UNIT	NET AVERAGED	SS

**REVISIONS**

NO.	DESCRIPTION	DATE

**CAPTIVEAIR**

Maryland Mechanical  
8120 Woodmont Avenue, Suite 120, Bethesda, MD, 20814 PHONE: (400) 588-0881 FAX: (301) 270-8551 EMAIL: mmp@mmmechanical.com

DATE: 11/19/2024  
DWG.#: P145305  
DRAWN BY: PH - 76  
SCALE: 3/4" = 1'-0"  
MASTER DRAWING

SHEET NO. 4

CAVA Beverly, MA RI  
47 Dodge Street,  
Beverly, MA, 01915

**ferris+sloane**

**CAVA**

CAVA #010540  
47 Dodge St.  
Beverly, MA 01915  
FOR CAVA  
14 Ridge Square NW #500, WASHINGTON, DC 20016

MECHANICAL HODD DETAIL PLAN

SHEET: **M604**

**DETAIL GENERAL NOTE**

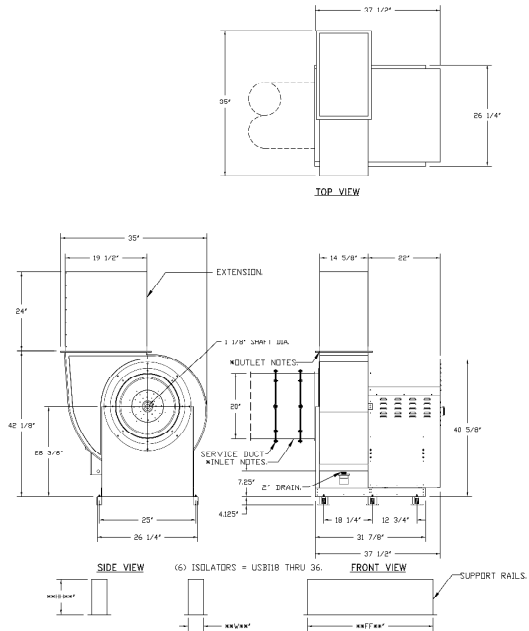
DETAILS PROVIDED ON THE PLAN ARE FOR REFERENCE ONLY. FINAL EQUIPMENT MOUNTING AND EQUIPMENT STANDS ARE TO BE PROVIDED BY THE EQUIPMENT VENDOR OR CONTRACTOR.

**rtm**  
engineering consultants

1/3/2025 5:56:10 PM

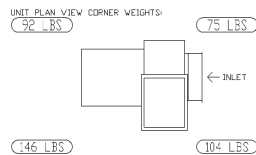
1/3/2025 5:56:20 PM

CAN #14881089 SH CHURCH FAN SPEC 11



\* INLET/OUTLET NOTES:  
LENGTH OF THE STRAIGHT DUCT ON THE INLET AND OUTLET TO BE 3 TIMES THE EQUIVALENT DUCT DIAMETER BEFORE CONNECTING TO ANY FITTINGS SUCH AS ELBOWS TO AVOID SYSTEM EFFECT.

UNIT PLAN VIEW CORNER WEIGHTS:



CORNER WEIGHTS ARE CALCULATED BASED ON VERTICAL DISCHARGE SUPPORT DUCT PROPERLY BEFORE FAN TO ENSURE CORNER WEIGHTS ARE NOT AFFECTED.

**NORMAL TEMPERATURE TEST, DIRECT DRIVE**  
EXHAUST FAN MUST OPERATE CONTINUOUSLY WHILE EXHAUSTING AIR AT 350°F (176°C) UNTIL ALL FAN PARTS HAVE REACHED THERMAL EQUILIBRIUM, AND WITHOUT ANY DEGRADATING EFFECTS TO THE FAN WHICH WOULD CAUSE UNSAFE OPERATION.

**FEATURES:**

- ROOF MOUNTED FANS.
- UL705.
- UL752 AND UL-C-5645 (RESTAURANT MODEL)
- HIGH HEAT OPERATION DIRECT DRIVE 350°F (176°C).
- HEAT SLINGER.
- NEMA 3R SAFETY DISCONNECT SWITCH.
- GREASE CLASSIFICATION TESTING.
- 2" DRAIN.
- MOTOR WEATHER COVER.
- FULLY SEALED SCROLL HOUSING.
- SCROLL ACCESS DOOR.
- FLANGE 1 1/4".

**OPTIONS**

- RIB - INLET SERVICE DUCT EXTENSION USED TO TRANSIT TO STANDARD BY GREASE DUCT OR FIELD WELDED DUCT, INCLUDES COP #18288.
- ROLL 10 - 10" ROLLER INLET RISK.
- UTILITY SET GREASE CUP.
- RIB - 2" AIR DISCHARGE EXTENSION.
- RI - DISCHARGE ORIENTATION VERTICAL.
- RI - DISCHARGE ORIENTATION VERTICAL UPPER LEFT = CO INLET SIDE.
- RIB - INLET CONNECTION STANDARD 60° FLANGED GREASE DUCT.
- UTILITY SET - SPRING VIBRATION ISOLATING - RIB / EQUIVALENT SIZED UTILITY SET - INDOOR/OUTDOOR USE.
- 2" COIL PARTS WARRANTY.

REVISIONS	
REVISION	DATE

**CAPTIVE AIRFLOW**  
www.captiveairflow.com  
Maryland Mechanical  
8120 Woodmont Avenue, Suite 200, Bethesda, MD 20814 PH: 301.288.7142 FAX: 714.222.5522 EMAIL: mjm@mmh.com

Cava - Beverly, MA\_R1  
47 Dodge Street,  
Beverly, MA, 01915

DATE: 11/19/2024  
DWG.#: 7145305  
DRAWN BY: JPH - 76  
SCALE: 3/4" = 1'-0"  
MASTER DRAWING

SHEET NO. 5

**DETAIL GENERAL NOTE**  
DETAILS PROVIDED ON THE PLAN ARE FOR REFERENCE ONLY. FINAL EQUIPMENT MOUNTING AND EQUIPMENT STANDS ARE TO BE PROVIDED BY THE EQUIPMENT VENDOR OR CONTRACTOR.



**ferris+sloane**  
100 N. Howard Street, Suite 400, Silver Spring, MD 20910

**CAVA**  
CAVA #010540  
47 Dodge St.  
Beverly, MA 01915  
FOR CAVA  
14 Ridge Square NW #500, WASHINGTON, DC 20016

AOR PROJECT NUMBER: CA058

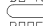
ISSUE	DATE
SD SET	07.12.2024
PERMIT	08.10.24
RIB	10.04.24
IFC	01.03.25

MECHANICAL HOOD DETAIL PLAN

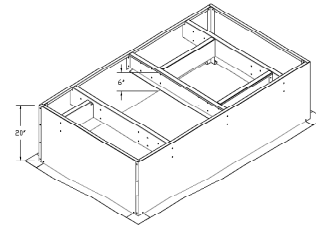
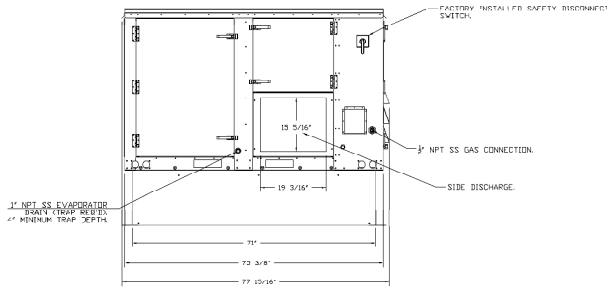
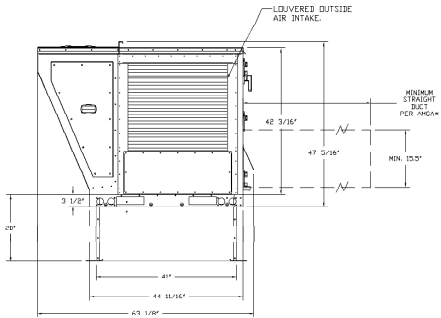
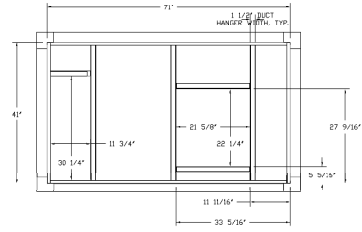
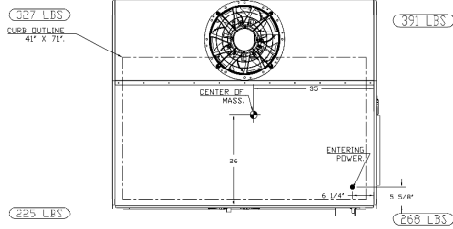
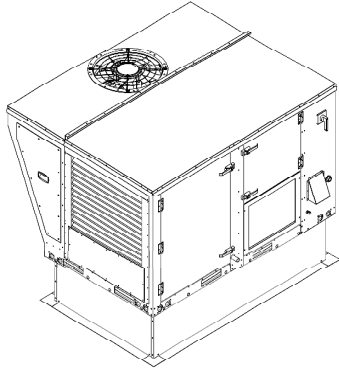
SHEET: **M605**

FAN #2 FARTU1-1,200-15-3T-MPU - HEATER (MJA-1)

NOTES:

1. DO NOT OBSTRUCT OUTSIDE AIR INLET, OUTSIDE AIR COIL OR OUTSIDE AIR FAN.
2.  DENOTES CORNER WEIGHT.
3. ROOF OPENING MUST BE 2" SMALLER THAN CURB DIMENSIONS IN BOTH DIRECTIONS.
4. CONNECTION FROM BREAKER TO UNITS SAFETY DISCONNECT SWITCH TO BE COPPER WIRE ONLY.
5. EXTERIOR GAS CONNECTION PROVIDED BY FACILITY WITH QUICK SEAL AND ANTI-ROTATION BRACKET.

\*NOTE: SUPPLY DUCT MUST BE INSTALLED TO MEET SMACNA STANDARDS. A MINIMUM STRAIGHT DUCT LENGTH MUST BE MAINTAINED DOWNSTREAM OF UNIT DISCHARGE AS OUTLINED IN APCA PUBLICATION G-9. WHEN USING RECTANGULAR DUCTWORK, ELBOWS MUST BE RADIUS THROAT RADIUS BACK WITH TURNING VANES. FLEXIBLE DUCTWORK AND SQUARE THROAT/SQUARE BACK ELBOWS SHOULD NOT BE USED. ANY TRANSITION AND/OR TURNS IN THE DUCTWORK WILL CAUSE SYSTEM EFFECT. SYSTEM EFFECT WILL DRAMATICALLY INCREASE STATIC PRESSURE AND REDUCE AIRFLOW. DO NOT RELY ON UNIT TO SUPPORT DUCT IN ANY WAY. FAILURE TO PROPERLY SIZE DUCTWORK MAY CAUSE SYSTEM EFFECTS AND REDUCE PERFORMANCE OF THE EQUIPMENT. SUGGESTED STRAIGHT DUCT SIZE IS 15" x 14" x 20".



REVISIONS	DESCRIPTION	DATE

**CAPTIVE**

Maryland Mechanical  
www.captiveaire.com

8111 Woodner Avenue, Suite 300, Bethesda, MD, 20814 PHONE: (301) 585-8851 FAX: 2102272861 EMAIL: info@captiveaire.com

Cava - Beverly, MA\_R1  
47 Dodge Street,  
Beverly, MA, 01915

DATE: 11/19/2024

DWG.#: 7145000

AOR PROJECT NUMBER: CA058

DRAWN BY: JPH - 76

SCALE: 3/4" = 1'-0"

MASTER DRAWING

SHEET NO. 6

DETAIL GENERAL NOTE

DETAILS PROVIDED ON THE PLAN ARE FOR REFERENCE ONLY. FINAL EQUIPMENT MOUNTING AND EQUIPMENT STANDS ARE TO BE PROVIDED BY THE EQUIPMENT VENDOR OR CONTRACTOR.



ferris+sloane

CAVA

CAVA #010540  
47 Dodge St.  
Beverly, MA 01915  
FOR CAVA  
14 Ridge Square NW #500, WASHINGTON, DC 20016

AOR PROJECT NUMBER: CA058

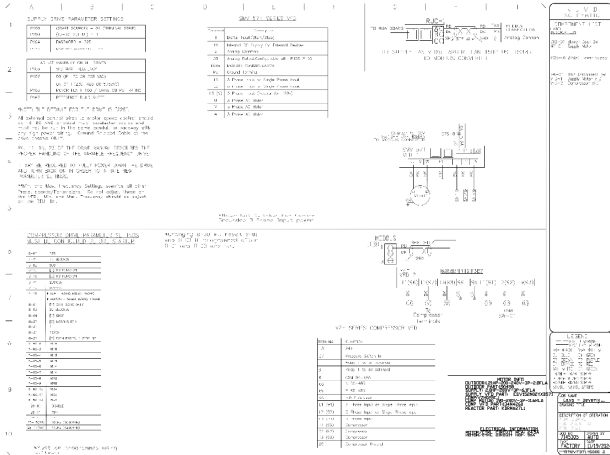
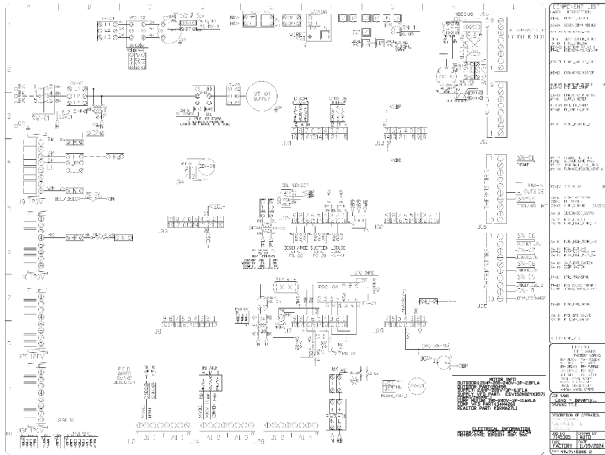
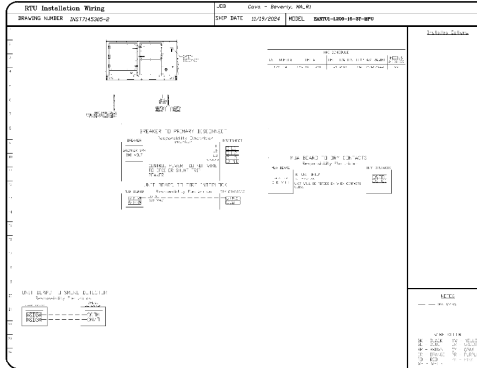
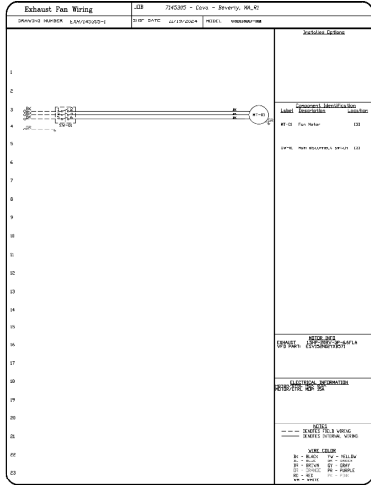
ISSUE	DATE
SD SET	07.12.2024
PERMIT	08.10.24
REB	10.04.24
IFC	01.03.25

MECHANICAL HOOD DETAIL PLAN

SHEET:

M606

1/3/2025 5:56:32 PM



REVISIONS	DESCRIPTION	DATE



Cava - Beverly, MA, RI  
 47 Dodge Street,  
 Beverly, MA, 01915

DATE: 11/19/2024  
 DWG.#: 7145305  
 DRAWN BY: PH - 76  
 SCALE: 3/4" = 1'-0"  
 MASTER DRAWING

SHEET NO.  
 7

**DETAIL GENERAL NOTE**  
 DETAILS PROVIDED ON THE PLAN ARE FOR REFERENCE ONLY. FINAL EQUIPMENT MOUNTING AND EQUIPMENT STANDS ARE TO BE PROVIDED BY THE EQUIPMENT VENDOR OR CONTRACTOR.



**ferris+sloane**  
 1000 K Street, NW, Suite 4000, Washington, DC 20004

**CAVA**

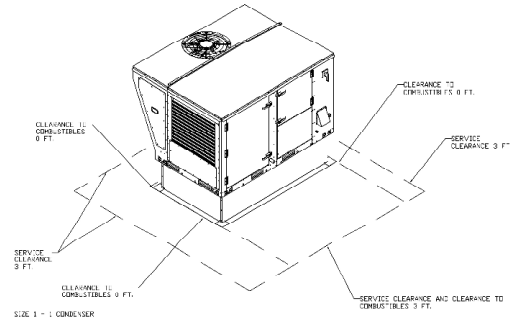
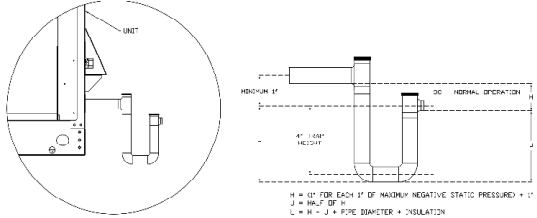
CAVA #010540  
 47 Dodge St.  
 Beverly, MA 01915  
 FOR CAVA  
 14 Ridge Square NW #500, WASHINGTON, DC 20016

AOR PROJECT NUMBER:	
CAV058	
ISSUE	DATE
SD SET	07.12.2024
PERMIT	08.10.24
RED	10.04.24
IFC	01.03.25

MECHANICAL HODD DETAIL PLAN

SHEET:  
**M607**

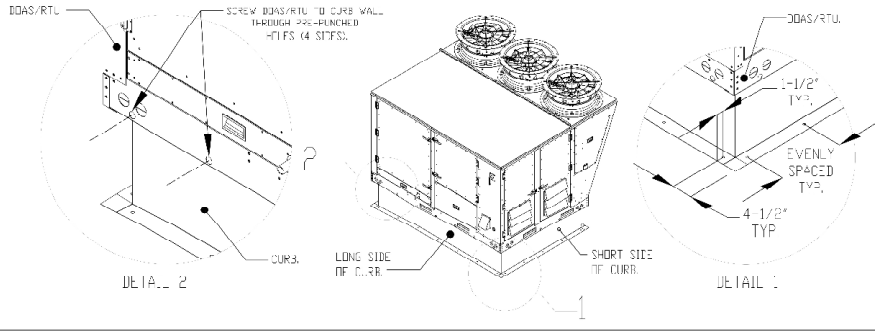
RTU CONDENSATE DRAIN TRAP DETAIL



TYPICAL DDAS/RTU ROOF MOUNTING INSTALLATION INSTRUCTIONS

1. SECURE THE CURB TO THE ROOF FRAMING MEMBERS BY DRILLING 1/4" PILD<sup>1</sup> HOLES IN THE CURB FLANGES AT LOCATIONS SHOWN IN THE DIAGRAM BELOW USING 3/8" X 2" ZINC PLATED STEEL LAG BOLTS, AND ZINC PLATED WASHERS. SCREW THROUGH THE CURB FLANGES AND INTO THE ROOF FRAMING MEMBERS. A MINIMUM OF (5) LAG BOLTS ON EACH SIDE OF CURB, AND (2) LAG BOLTS ON EACH LONG SIDE IS REQUIRED.

2. SECURE THE UNIT BASE TO THE SIDE WALLS OF THE CURB USING (2) 1/4" X 2" SELF-DRILLING, STEEL ZINC PLATED SCREWS. PRE-PUNCHED HOLES HAVE BEEN PROVIDED FOR EACH SCREW LOCATION.



REVISIONS	
DESCRIPTION	DATE

**CAPTIVE WIRE**  
www.captivewire.com

**Maryland Mechanical**  
www.marylandmechanical.com  
100 Woodmont Avenue, Suite 250, Baltimore, MD 21284-1101 (410) 552-1500 FAX: 410-552-1501 E-MAIL: mmp@mdmechanical.com

Cava, Beverly, MA R1  
47 Dodge Street,  
Beverly, MA 01915

DATE: 11/19/2024  
DWG.#: 7145030  
DRAWN BY: PH - 76  
SCALE: 3/4" = 1'-0"  
MASTER DRAWING

SHEET NO. 8

**DETAIL GENERAL NOTE**  
DETAILS PROVIDED ON THE PLAN ARE FOR REFERENCE ONLY. FINAL EQUIPMENT MOUNTING AND EQUIPMENT STANDS ARE TO BE PROVIDED BY THE EQUIPMENT VENDOR OR CONTRACTOR.



**ferris+sloane**  
1000 Woodland Drive, Suite 400, Silver Spring, MD 20910

**CAVA**

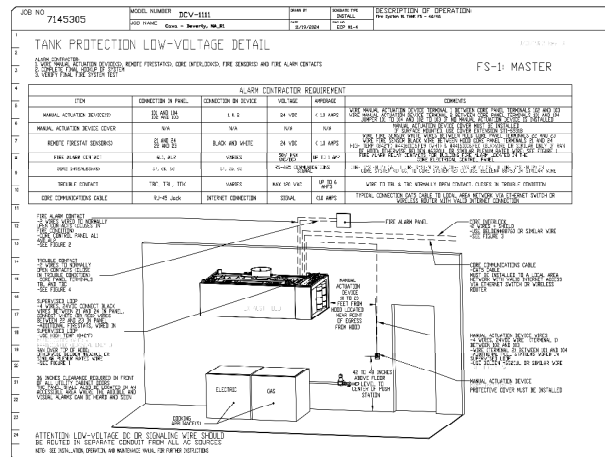
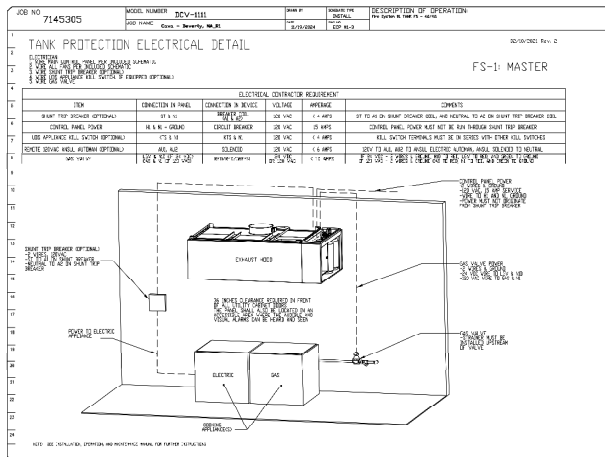
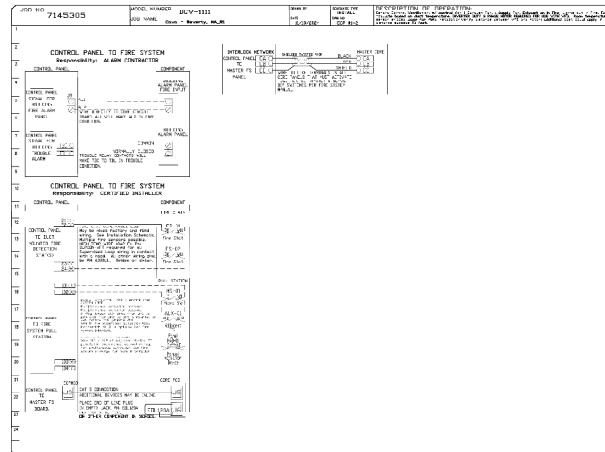
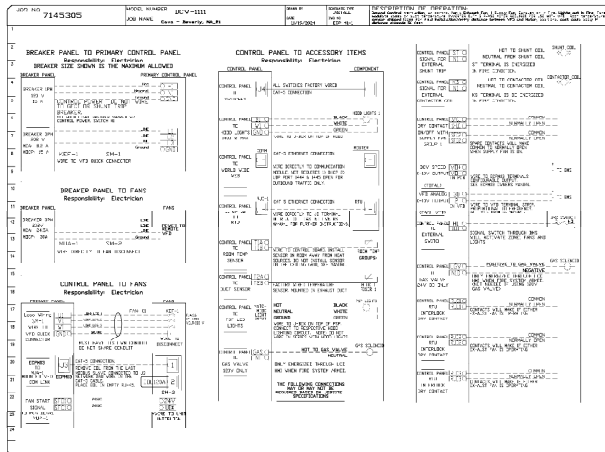
CAVA #010540  
47 Dodge St.  
Beverly, MA 01915  
FOR CAVA  
14 Ridge Square NW #500, WASHINGTON, DC 20016

MECHANICAL HOOD DETAIL PLAN

SHEET: **M608**

ELECTRICAL PACKAGES - JOB#7143305

NO	TAG	PACKAGE #	LOCATION	SWITCHES		OPTION	FANS CONTROLLED		
				LOCATION	QUANTITY		FAN TAG	TYPE	# HP [VOLT] FLA
1		BCV-1111	UTILITY CABINET RIGHT SIDE	HOOD # 1	1 LIGHT	SMART CONTROLS DEV	KFP-1	EXHAUST	3 1500 208 6.6
							MMA-1	SUPPLY	3 2000 208 6.1



**REVISIONS**

NO.	DESCRIPTION	DATE
1		
2		
3		
4		

**CAPTIVE**

Maryland Mechanical  
 817 Woodmont Avenue, Suite 200, Bethesda, MD, 20814  
 (301) 461-1881 FAX: 301-227-9551 EMAIL: mjm@captiveme.com

Cava - Beverly, MA, R1  
 47 Dodge Street,  
 Beverly, MA, 01915

DATE: 11/19/2024  
 DWG.#: 7145305  
 DRAWN BY: JPH - 76  
 SCALE: 3/4" = 1'-0"  
 MASTER DRAWING

SHEET NO. 9

**DETAIL GENERAL NOTE**

DETAILS PROVIDED ON THE PLAN ARE FOR REFERENCE ONLY. FINAL EQUIPMENT MOUNTING AND EQUIPMENT STANDS ARE TO BE PROVIDED BY THE EQUIPMENT VENDOR OR CONTRACTOR.

**rtm**  
 engineering consultants  
 200 HOPKINS STREET, SUITE 1100, BOSTON, MA 02118  
 TEL: 617-552-1100 FAX: 617-552-1101

**ferris+sloane**

**CAVA**

CAVA #010540  
 47 Dodge St.  
 Beverly, MA 01915  
 FOR CAVA  
 14 Ridge Square NW #500, WASHINGTON, DC 20016

MECHANICAL HOOD DETAIL PLAN

SHEET: **M609**

1/3/2025 5:56:05 PM



