



RECORD SUBMITTAL DATA

HVAC Fans R1

Job Name: Pet Suites – Fry Road

Location: Cypress, TX

Architect: Pet Suites

Engineer: ASEI Engineering

Contractor: Comfort Systems

Date: September 30, 2022

Submitted By: Dylan Rhoden

A Certified Minority Owned Small Business Enterprise

*P. O. Box 630409, Houston, TX 77263-0409
Phone: (713) 266-1761 Fax: (713) 781-6532
www.distribaire.com*



COOK



MARK: EF-1,2
PROJECT: PET SUITES FRY RD
DATE: 9/30/2022

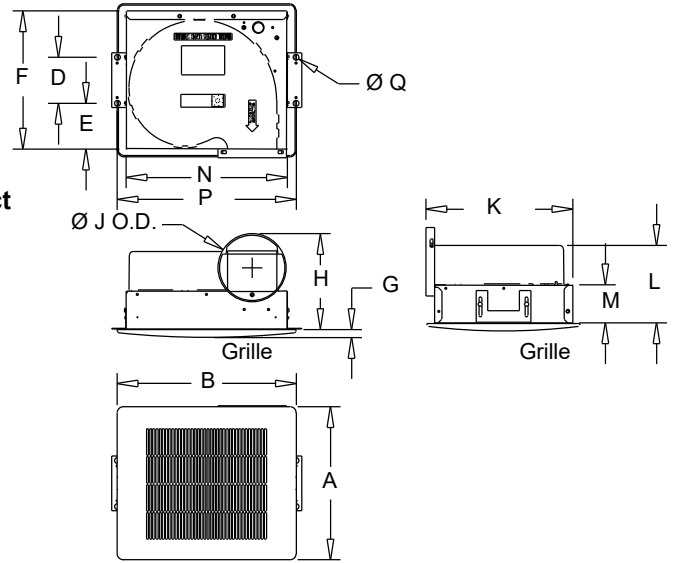
GEMINI

Ceiling Fans

100 Series

STANDARD CONSTRUCTION FEATURES:

Forward curved injection molded polypropylene fan wheel - Injection molded flame resistant fan housing with round outlet duct - 22 ga. galvanized steel inlet box - Isolation mounted motor, mounted to one piece galvanized stamped steel integral motor mount/inlet - Permanently lubricated 2-speed motor with built-in thermal overload protection and disconnect plug - Field wiring compartment with receptacle - Adjustable prepunched mounting bracket - White, high impact styrene injection molded grille - Shipped in ISTA certified transit tested packaging.



Performance

Qty	Catalog Number	Flow (CFM)	SP (inwc)	Nominal RPM	Input Watts	Speed Control
2	GC-146	70	.375	860	33	FSC

Altitude (ft): 108 Temperature (F): 70

Motor Information

Volts/Ph/Hz	Nameplate Amps
115/1/60	.313

Sound Data Inlet Sound Power by Octave Band

1	2	3	4	5	6	7	8	LwA	dBA	Sones
50	51	53	50	44	37	32	23	51	39	1.5

- Distance from Sound source 5 ft

Accessories:

- FAN SPEED CONTROLLER 5 AMP 120 VOLT
- WHITE PLASTIC GRILLE
- ROOF CAP-CRB W/BDSCR
- INTEGRAL BD DAMPER
- GEMINI ISOLATOR KIT - ISOLATORS

Dimensions (inches)

A Plastic	13-1/4	M	3-1/4
B Plastic	15-1/2	N	14
D	4	P	15-1/2
E	4	Q	1/2
F	12		
G	5/8		
H	8-3/8		
J O.D.	5-15/16		
K	12-3/4		
L	6-11/16		

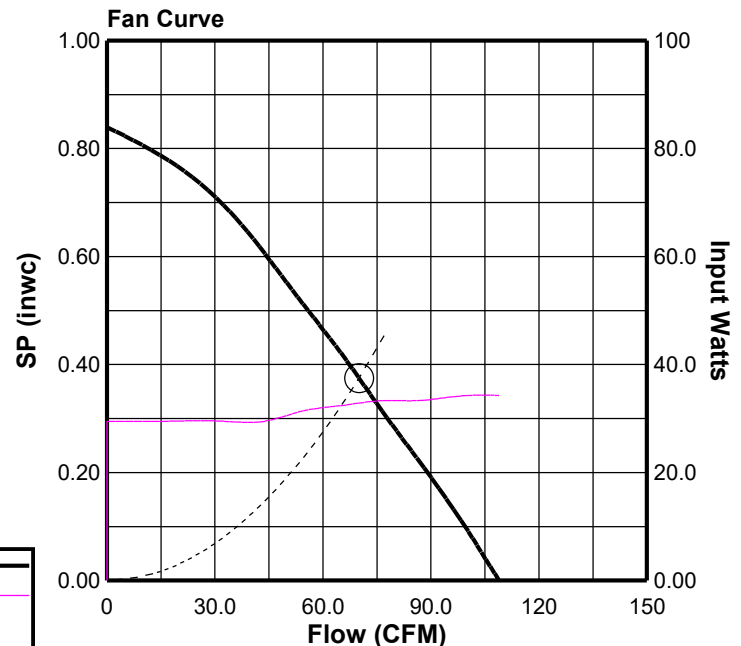
NOTE: Accessories may affect dimensions shown.

Weight(lbs)***	Shipping 31	Unit 28
-----------------------	--------------------	----------------

***Includes fan, motor & accessories.

Fan Curve Legend

CFM vs SP	—
CFM vs Watts	—
Point of Operation	○
System Curve	- - -





FSC

Fan Speed Controls

STANDARD CONSTRUCTION FEATURES:

PRODUCT DESCRIPTION - Through the "Quadrac" integrated semi-conductor device it is now possible to offer this system with many advantages. Fewer semi-conductor parts mean greater reliability and the passivation process used in the manufacture of the semi-conductor insures long life.

Printed circuit construction eliminates wiring difficulties and guarantees workmanship.

All of these factors serve to offer the most important of all features - quality.

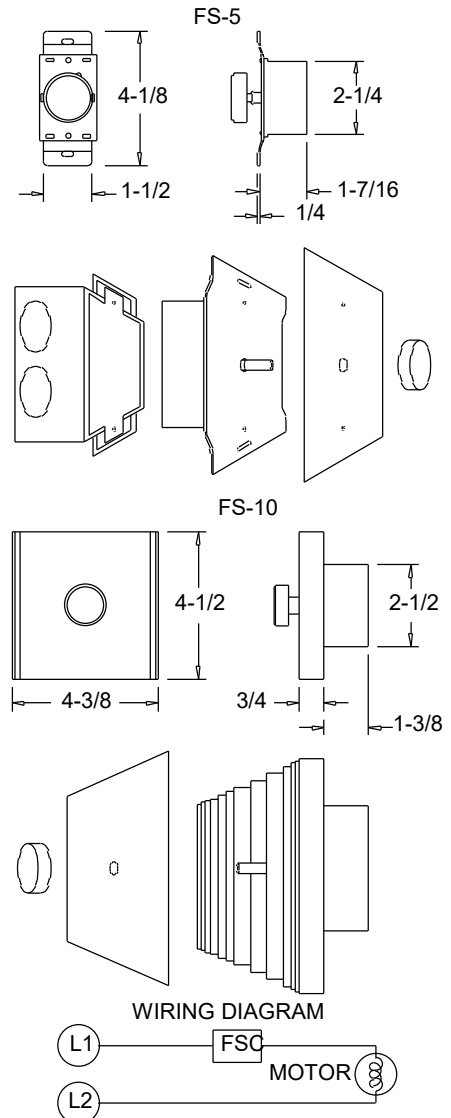
SPEED CONTROL - Positive Off/On action in the control dial. Speed range set to the customer's requirements. **CONTROL RATING** - 120 volts, 60 cycles, 1 phase. Maximum ambient temperature - 120 degree F (5 AMP, 10 AMP, 15 AMP). 220/240 volt, 50/60 cycles, 1 phase. Maximum ambient temperature - 120 degree F (5 AMP, 10 AMP). 220/240 volt model not UL listed. Fan cannot have UL listing if furnished with prewired 220/240 volt FSC. 277 volt, 60 cycles, 1 phase.

Maximum ambient temperature - 120 degree F (5 AMP). **WARNING** - Power must be turned off before installing this unit. **STANDARD INSTALLATION** - Fits any standard single gang box.

Turn off power and connect the two wires on the control to the two switch wires in the usual manner. The connection box is not supplied. **SPECIAL FEATURES** - Complete range control, solid state "Quadrac" integrated circuitry, solid state construction for long reliable operating life, saves on electric bills.

Dimensions (inches)

Mark	Qty	Description
EF-1,2	2	FSC 5 AMP 120 VOLT



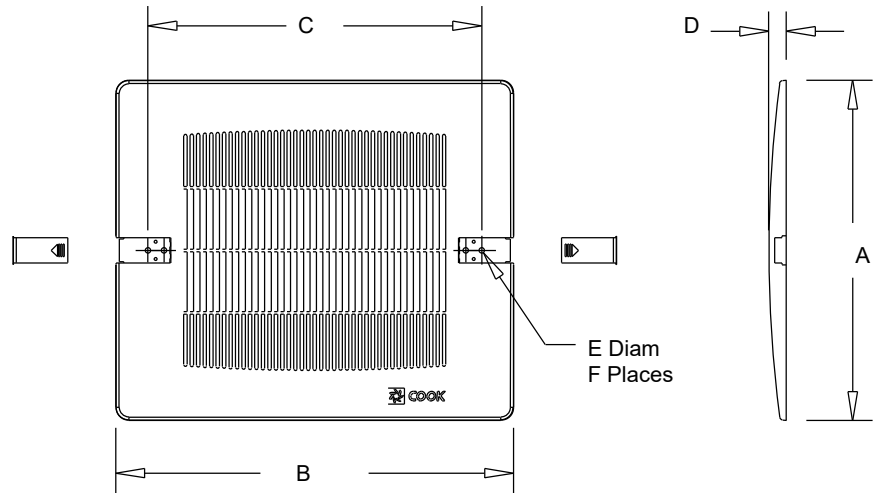


COOK

PROJECT: PET SUITES FRY RD

DATE: 9/30/2022

GEMINI PLASTIC GRILLE



Dimensions (inches)

Mark	Qty	Description	A	B	C	D	E Diam	F Places
EF-1,2	2	WHITE PLASTIC GRILLE	13-1/4	15-1/2	13	1/4	1/4	4

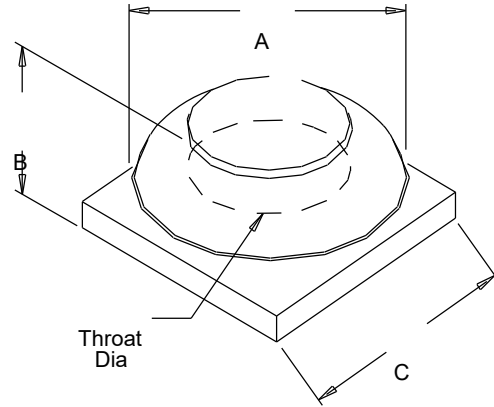


GEMINI

ROOF CAP Curb Mount

STANDARD CONSTRUCTION FEATURES:

Aluminum construction - Anti-backdraft flange
Optional birdscreen - PR8, PR12, PR16, and PR20 are curb mount.



Dimensions (inches)

Mark	Qty	Description	A	B	C	Throat Dia.
EF-1,2	2	ROOF CAP-CRB W/BDSCR	18-1/4	10-1/8	18	8-19/32



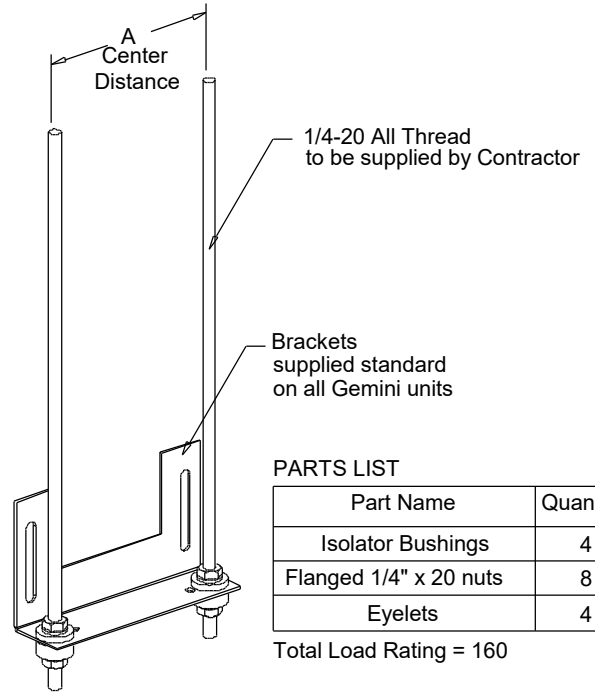
COOK

PROJECT: PET SUITES FRY RD

DATE: 9/30/2022

GEMINI

Gemini Isolator Kit
GIK
Rubber In Shear



Dimensions (inches)

Mark	Qty	Description	Part #	A
EF-1,2	2	GEMINI ISOLATO	GIK	4



COOK

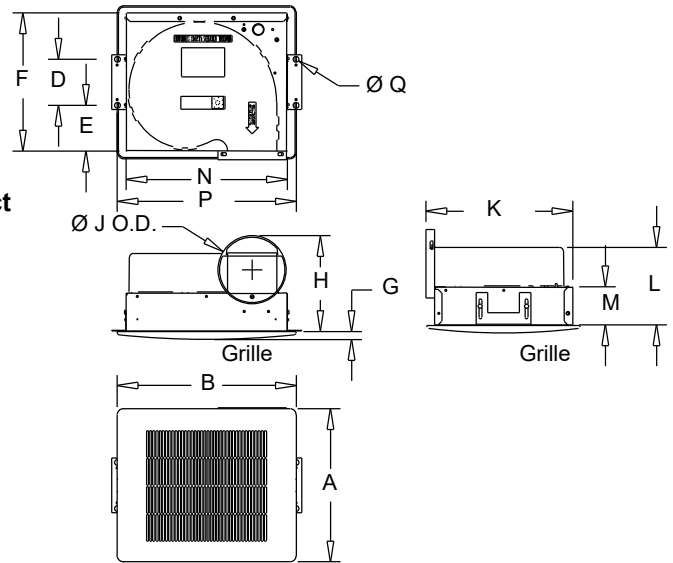


MARK: EF-3,4
PROJECT: PET SUITES FRY RD
DATE: 9/30/2022

GEMINI

Ceiling Fans 100 Series

STANDARD CONSTRUCTION FEATURES:
 Forward curved injection molded polypropylene fan wheel -
 Injection molded flame resistant fan housing with round outlet duct
 - 22 ga. galvanized steel inlet box - Isolation mounted motor,
 mounted to one piece galvanized stamped steel integral motor
 mount/inlet - Permanently lubricated 2-speed motor with built-in
 thermal overload protection and disconnect plug - Field wiring
 compartment with receptacle - Adjustable prepunched mounting
 bracket - White, high impact styrene injection molded grille -
 Shipped in ISTA certified transit tested packaging.



Performance

Qty	Catalog Number	Flow (CFM)	SP (inwc)	Nominal RPM	Input Watts	Speed Control
2	GC-168	150	.250	1093	52	FSC

Altitude (ft): 108 Temperature (F): 70

Motor Information

Volts/Ph/Hz	Nameplate Amps
115/1/60	.504

Sound Data Inlet Sound Power by Octave Band

1	2	3	4	5	6	7	8	LwA	dBA	Sones
54	54	57	56	52	47	43	37	57	45	3.0

- Distance from Sound source 5 ft

Accessories:

- FAN SPEED CONTROLLER 5 AMP 120 VOLT
- WHITE PLASTIC GRILLE
- ROOF CAP-CRB W/BDSCR
- INTEGRAL BD DAMPER
- GEMINI ISOLATOR KIT - ISOLATORS

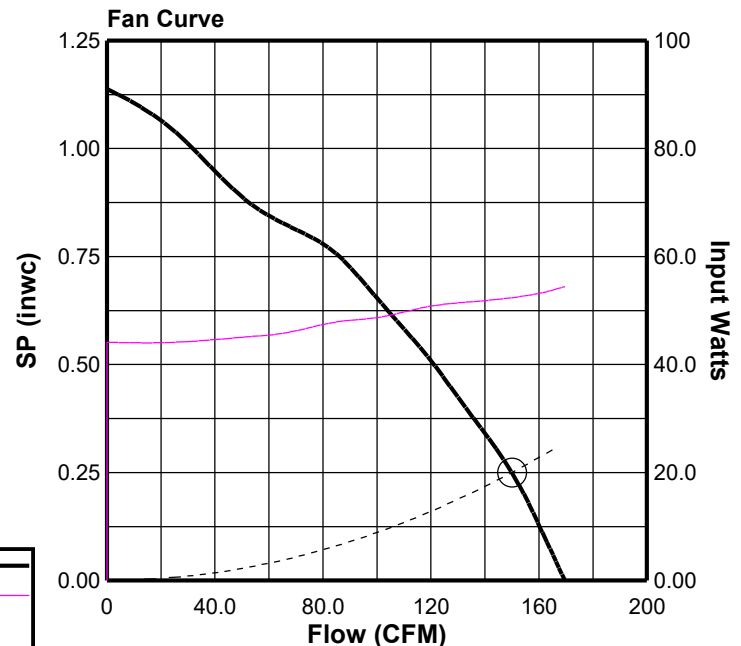
Dimensions (inches)

A Plastic	13-1/4	M	3-1/4
B Plastic	15-1/2	N	14
D	4	P	15-1/2
E	4	Q	1/2
F	12		
G	5/8		
H	8-3/8		
J O.D.	5-15/16		
K	12-3/4		
L	6-11/16		

NOTE: Accessories may affect dimensions shown.

Weight(lbs)***	Shipping 31	Unit 28
-----------------------	--------------------	----------------

***Includes fan, motor & accessories.





FSC

Fan Speed Controls

STANDARD CONSTRUCTION FEATURES:

PRODUCT DESCRIPTION - Through the "Quadrac" integrated semi-conductor device it is now possible to offer this system with many advantages. Fewer semi-conductor parts mean greater reliability and the passivation process used in the manufacture of the semi-conductor insures long life.

Printed circuit construction eliminates wiring difficulties and guarantees workmanship.

All of these factors serve to offer the most important of all features - quality.

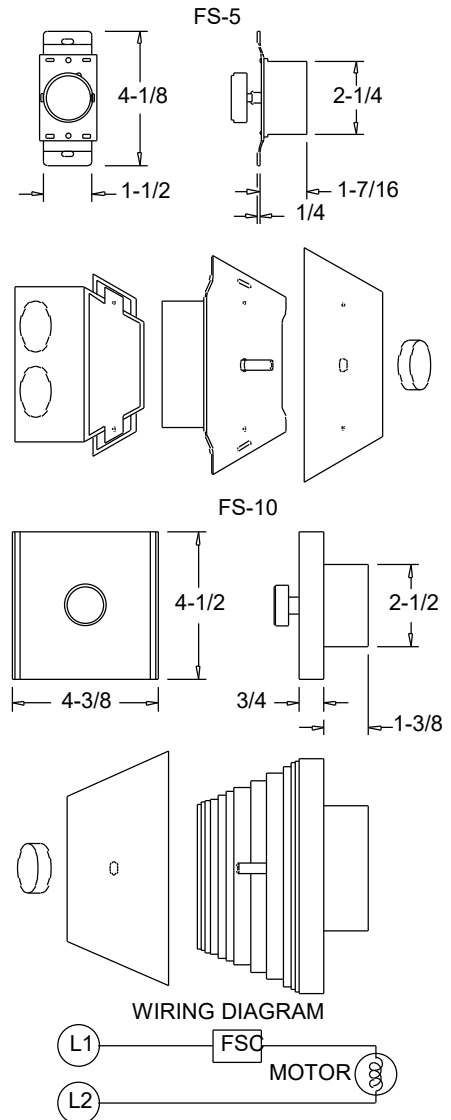
SPEED CONTROL - Positive Off/On action in the control dial. Speed range set to the customer's requirements. **CONTROL RATING** - 120 volts, 60 cycles, 1 phase. Maximum ambient temperature - 120 degree F (5 AMP, 10 AMP, 15 AMP). 220/240 volt, 50/60 cycles, 1 phase. Maximum ambient temperature - 120 degree F (5 AMP, 10 AMP). 220/240 volt model not UL listed. Fan cannot have UL listing if furnished with prewired 220/240 volt FSC. 277 volt, 60 cycles, 1 phase.

Maximum ambient temperature - 120 degree F (5 AMP). **WARNING** - Power must be turned off before installing this unit. **STANDARD INSTALLATION** - Fits any standard single gang box.

Turn off power and connect the two wires on the control to the two switch wires in the usual manner. The connection box is not supplied. **SPECIAL FEATURES** - Complete range control, solid state "Quadrac" integrated circuitry, solid state construction for long reliable operating life, saves on electric bills.

Dimensions (inches)

Mark	Qty	Description
EF-3,4	2	FSC 5 AMP 120 VOLT



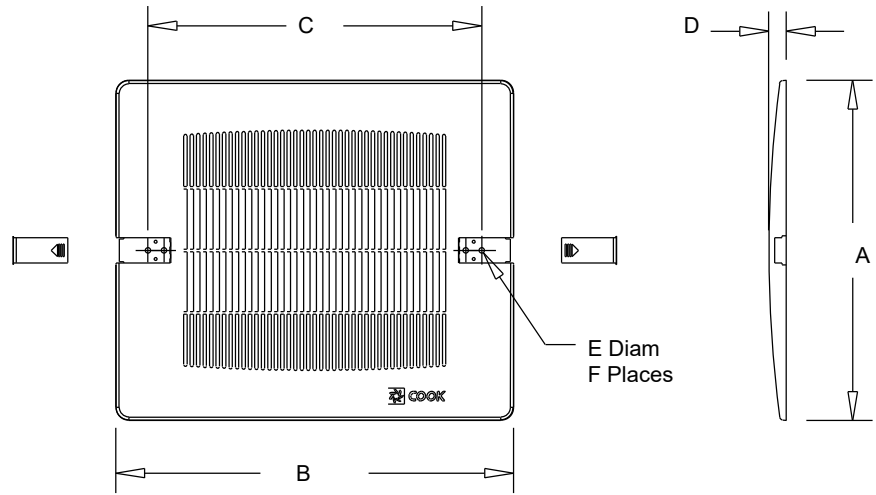


COOK

PROJECT: PET SUITES FRY RD

DATE: 9/30/2022

GEMINI PLASTIC GRILLE



Dimensions (inches)

Mark	Qty	Description	A	B	C	D	E Diam	F Places
EF-3,4	2	WHITE PLASTIC GRILLE	13-1/4	15-1/2	13	1/4	1/4	4

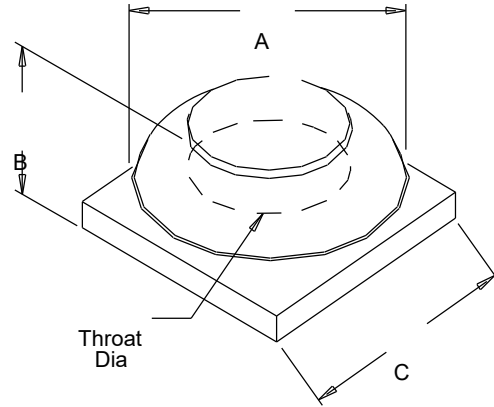


GEMINI

ROOF CAP Curb Mount

STANDARD CONSTRUCTION FEATURES:

Aluminum construction - Anti-backdraft flange
Optional birdscreen - PR8, PR12, PR16, and PR20 are curb mount.



Dimensions (inches)

Mark	Qty	Description	A	B	C	Throat Dia.
EF-3,4	2	ROOF CAP-CRB W/BDSCR	18-1/4	10-1/8	18	8-19/32



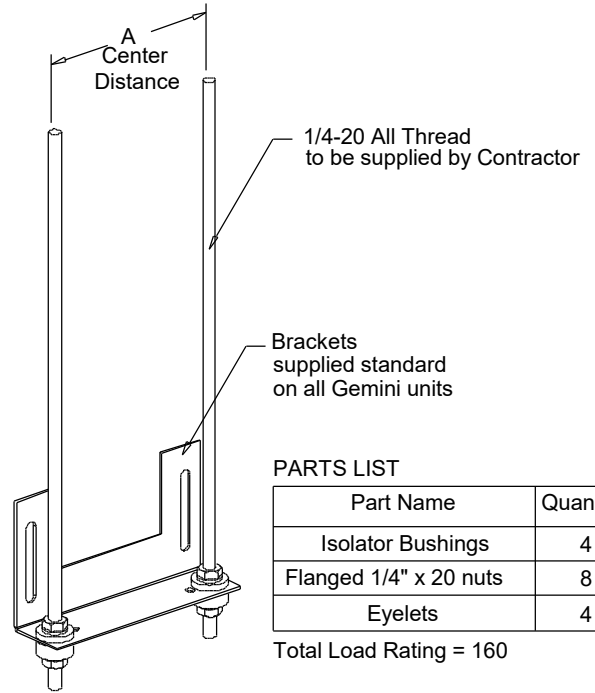
COOK

PROJECT: PET SUITES FRY RD

DATE: 9/30/2022

GEMINI

Gemini Isolator Kit
GIK
Rubber In Shear



Dimensions (inches)

Mark	Qty	Description	Part #	A
EF-3,4	2	GEMINI ISOLATO	GIK	4