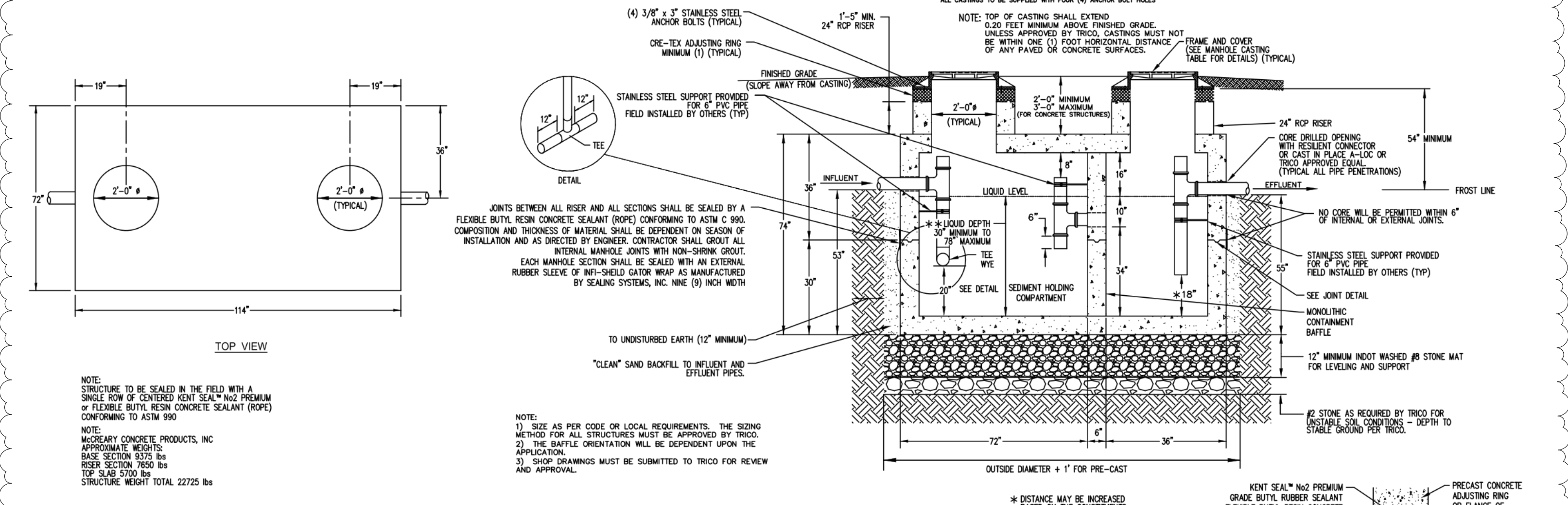
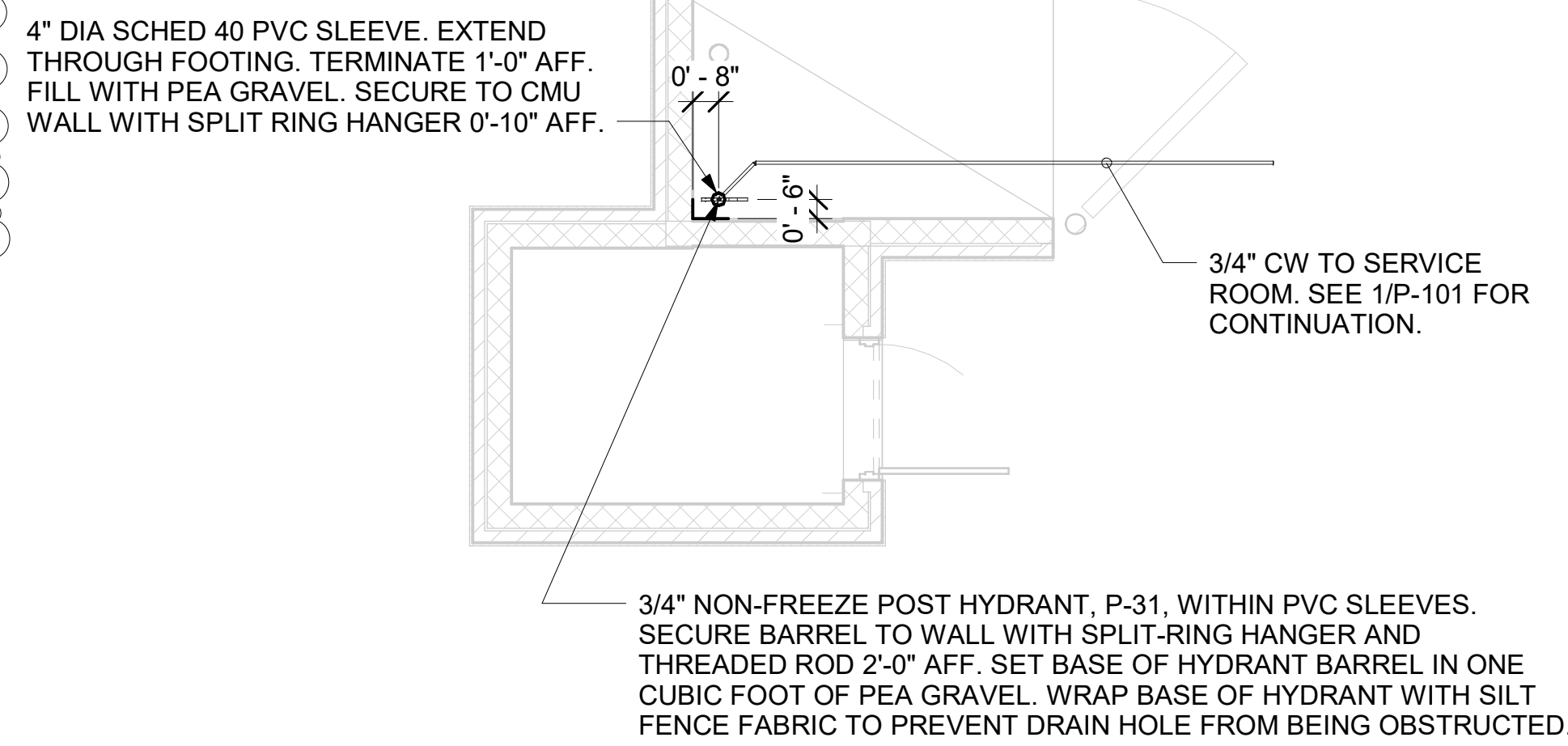


3/22/2023 4:52:25 PM Autodesk Docs://IN_04978_West Carmel (IN)FSU_2022.7_FSR#04978_West Carmel (IN)FSU_PLB.plt 40-LS-04978-P-101-BELOW SLAB PLUMBING PLAN

MANHOLE CASTING TABLE		
LOCATION	DEPTH	OWNER
15' HIGHER OR MORE ABOVE FINISHED GRADE	CAST JORDAN ROBERTS OR HEAVY DUTY S&S	
12' TO 15' ABOVE FINISHED GRADE	CAST JORDAN ROBERTS	
LESS THAN 12' ABOVE FINISHED GRADE	CAST JORDAN ROBERTS	
UNDERGROUND	CAST JORDAN ROBERTS	
UNDERGROUND	CAST JORDAN ROBERTS	
UNDERGROUND	CAST JORDAN ROBERTS	
UNDERGROUND	CAST JORDAN ROBERTS	
UNDERGROUND	CAST JORDAN ROBERTS	
UNDERGROUND	CAST JORDAN ROBERTS	
UNDERGROUND	CAST JORDAN ROBERTS	



METHOD OF DRAINAGE AT REFUSE PAD
 WHEN AREA DRAIN IS SHOWN ON CIVIL PLANS, SEE FIXTURE P-32 SPECIFICATION ON DRAWING P-901 FOR MAKE AND MODEL OF DRAIN, DRAIN AND PIPING PROVIDED AND INSTALLED BY CHICK-FIL-A SITE CONTRACTOR. WHEN AREA DRAIN IS NOT SHOWN, REFER TO ARCHITECTURAL DRAWINGS FOR DESIGN OPTION SHOWING DRAINAGE THROUGH BACK OF DUMPSTER ENCLOSURE.



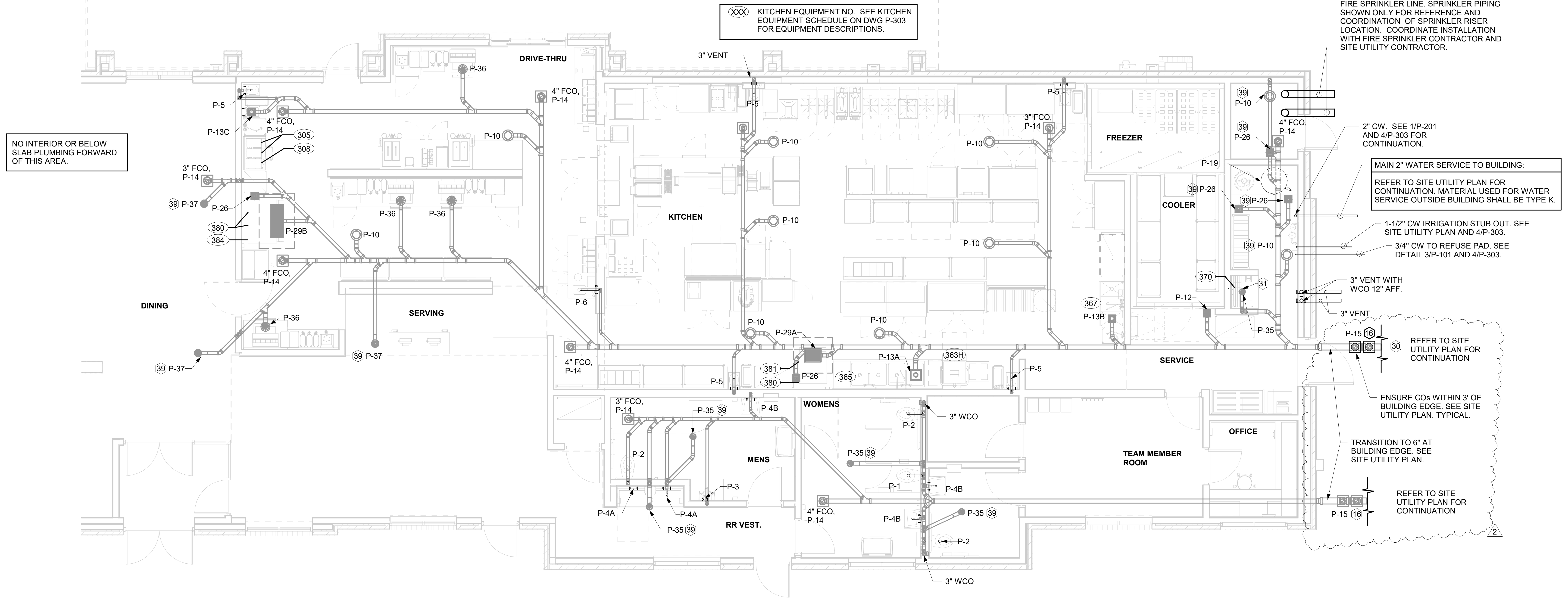
5. SHEET NOTES

- COORDINATE INSTALLATION OF SANITARY PIPING WITH FOOTINGS IN THE FIELD. SLEEVE PENETRATIONS IN FOOTINGS WITH PVC.
- COMBINATION WASTE AND VENT SYSTEM SHOWN HERE. WHERE REQUIRED BY LOCAL AUTHORITY HAVING JURISDICTION, PROVIDE SAFE-WASTE SYSTEM OR DEDICATED VENT SYSTEM AS OUTLINED IN STATE AND LOCAL CODE AMENDMENTS.
- ALL WATER PIPING INSTALLED WITHIN EXTERIOR WALLS SHALL BE LOCATED ON THE INTERIOR SIDE OF THE INSULATION.
- ALL VENT PIPING TO BE 2" DIAMETER MIN U.N.O. SEE 1/P-301 FOR VENT LAYOUT.

KEY NOTES

- 6" DOUBLE CO. P-15. SEE DETAIL SHEET FOR CLEANOUTS OUTSIDE BUILDING.
- GREASE TRAP - REFER TO DETAIL 2/P-101, REFER TO SITE UTILITY PLAN SHEET FOR EXACT LOCATION.
- INSTALL FLOOR DRAIN P-35 AT MOP SINK DEPRESSION WITH TOP OF STRAINER 0'-7" BFF.
- PROVIDE TRAP SEAL PROTECTOR P-26A.

2 GREASE INTERCEPTOR NOT TO SCALE



NO INTERIOR OR BELOW SLAB PLUMBING FORWARD OF THIS AREA.

XXX KITCHEN EQUIPMENT NO. SEE KITCHEN EQUIPMENT SCHEDULE ON DWG P-303 FOR EQUIPMENT DESCRIPTIONS.

FIRE SPRINKLER LINE. SPRINKLER PIPING SHOWN ONLY FOR REFERENCE AND COORDINATION OF SPRINKLER RISER LOCATION. COORDINATE INSTALLATION WITH FIRE SPRINKLER CONTRACTOR AND SITE UTILITY CONTRACTOR.

MAIN 2" WATER SERVICE TO BUILDING: REFER TO SITE UTILITY PLAN FOR CONTINUATION. MATERIAL USED FOR WATER SERVICE OUTSIDE BUILDING SHALL BE TYPE K.

1-1/2" CW IRRIGATION STUB OUT. SEE SITE UTILITY PLAN AND 4/P-303.

3/4" CW TO REFUSE PAD. SEE DETAIL 3/P-101 AND 4/P-303.

3" VENT WITH WCO 12" AFF.

REFER TO SITE UTILITY PLAN FOR CONTINUATION

ENSURE COs WITHIN 3' OF BUILDING EDGE. SEE SITE UTILITY PLAN. TYPICAL.

TRANSITION TO 6" AT BUILDING EDGE. SEE SITE UTILITY PLAN.

REFER TO SITE UTILITY PLAN FOR CONTINUATION

1 BELOW SLAB PLUMBING PLAN 1/4" = 1'-0"

Chick-fil-A
 5200 Buffington Road
 Atlanta, Georgia
 30349-2998

Kurzynske & Associates
 2705 Lebanon Pike - Suite One
 Nashville, Tennessee 37214
 Telephone: (615) 255-5203



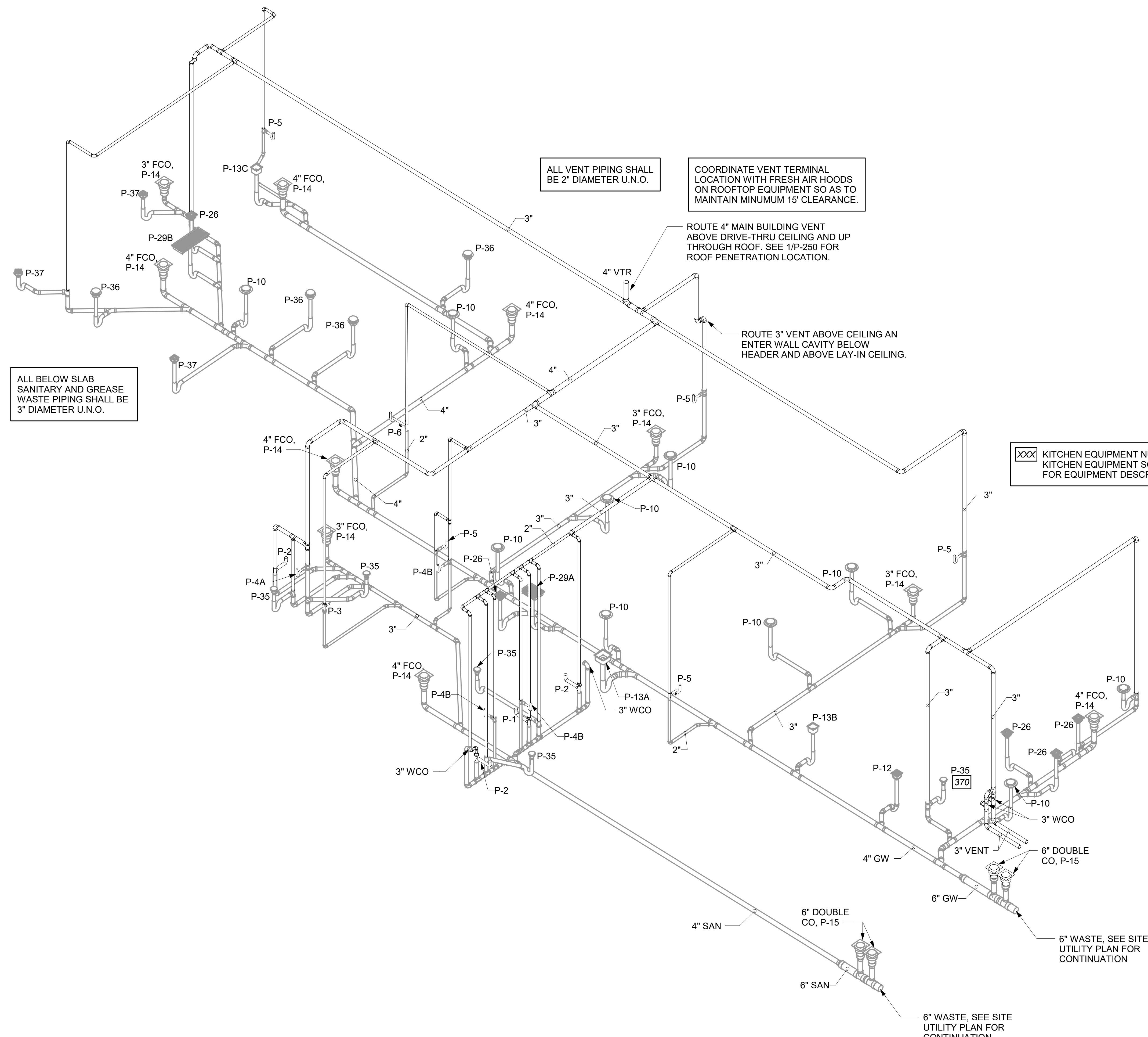
CHICK-FIL-A
 West Carmel FSU
 9965 N MICHIGAN ROAD
 CARMEL, IN 46032

FSR#04978
 BUILDING TYPE / SIZE: P14 LRS
 RELEASE: 22.08
 PRINTED FOR CONSTRUCTION

REVISION SCHEDULE	
NO.	DESCRIPTION
2	03/03/2023 SANITARY REVISIONS

CONSULTANT PROJECT # 22169.CD.S
 DATE 03/24/23
 DRAWN BY CAC
 Information contained on this drawing is the property of Chick-fil-A and shall not be reproduced in any manner without express written or verbal consent from Chick-fil-A.
 BELOW SLAB PLUMBING PLAN
 SHEET NUMBER

3/22/2023 4:52:40 PM AutodesK Docs://IN_04978_West Carmel (IN)FSU_2022.7_FSR04978_West Carmel (IN)FSU_PLB.rvt
40-LS-04978-P-301-DWV RISER DIAGRAM



ALL BELOW SLAB
SANITARY AND GREASE
WASTE PIPING SHALL BE
3" DIAMETER U.N.O.

ALL VENT PIPING SHALL
BE 2" DIAMETER U.N.O.

COORDINATE VENT TERMINAL
LOCATION WITH FRESH AIR HOODS
ON ROOFTOP EQUIPMENT SO AS TO
MAINTAIN MINIMUM 15' CLEARANCE.

ROUTE 4" MAIN BUILDING VENT
ABOVE DRIVE-THRU CEILING AND UP
THROUGH ROOF. SEE 1/P-250 FOR
ROOF PENETRATION LOCATION.

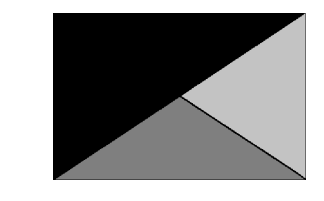
ROUTE 3" VENT ABOVE CEILING AN
ENTER WALL CAVITY BELOW
HEADER AND ABOVE LAY-IN CEILING.

xxx KITCHEN EQUIPMENT NUMBER. SEE
KITCHEN EQUIPMENT SCHEDULE ON P-303
FOR EQUIPMENT DESCRIPTIONS.

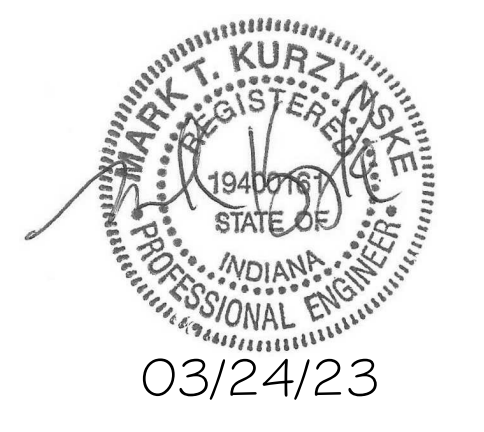
1 WASTE RISER DIAGRAM



Chick-fil-A
5200 Buffington Road
Atlanta, Georgia
30349-2998



**Kurzynske
& Associates**
2705 Lebanon Pike - Suite One
Nashville, Tennessee 37214
Telephone: (615) 255-5203



CHICK-FIL-A
West Carmel FSU
9965 N MICHIGAN ROAD
CARMEL, IN 46032

FSR#04978
BUILDING TYPE / SIZE: P14 LS LRG
RELEASE: 22.08
PRINTED FOR
CONSTRUCTION
REVISION SCHEDULE
NO. DATE DESCRIPTION

For Construction -

CONSULTANT PROJECT # 22169.CD.S
DATE 03/24/23
DRAWN BY CAC
Information contained on this drawing arch is digital file
produced for above named project may not be reproduced in
any manner without express written or verbal consent from
authorizing project representatives.

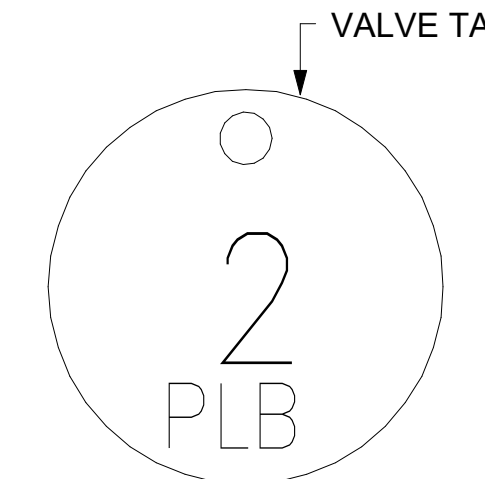
DWV RISER DIAGRAM
SHEET NUMBER

P-301

VALVE TAG LEGEND	
VALVE	VALVE POSITION
① MAIN WATER SHUT-OFF	NORMALLY OPEN
② MAIN DRAIN	NORMALLY CLOSED
③ ACCESSORY SHUT-OFF	NORMALLY OPEN
④ WATER FILTER INLET	NORMALLY OPEN
⑤ RECIRC PUMP ISOLATION VALVE	NORMALLY OPEN
⑥ WATER HEATER INLET	NORMALLY OPEN
⑦ RESTROOM & KITCHEN COLD WATER	NORMALLY OPEN
⑧ POST HYDRANT COLD WATER	NORMALLY OPEN
⑨ GAS TO WATER HEATER	NORMALLY OPEN
⑩ WATER HEATER OUTLET	NORMALLY OPEN

NOTE: HANDLE IN-LINE WITH PIPING = VALVE OPEN

LAMINATE VALVE TAG LEGEND AND MOUNT PERMANENTLY WHERE SHOWN ON WATER HEATER DETAIL IN AN ALUMINUM FRAME EQUAL TO SETON #68624.



② VALVE TAG SYMBOL AS SHOWN ON DETAIL 6/P-303. PROVIDE 1-1/2" ROUND BRASS VALVE TAG WITH 1/2" HIGH BLACK FILLED LETTERING. EACH TAG SHALL INDICATE VALVE NUMBER AND WILL ALSO HAVE "PLBG" STAMPED ON THE TAG IN 1/4" HIGH BLACK FILLED LETTERING EQUAL TO SETON #M4506. HANG WITH BRASS JACK CHAIN ON VALVE HANDLE.

③ VALVE TAGS AND LEGEND NOT TO SCALE

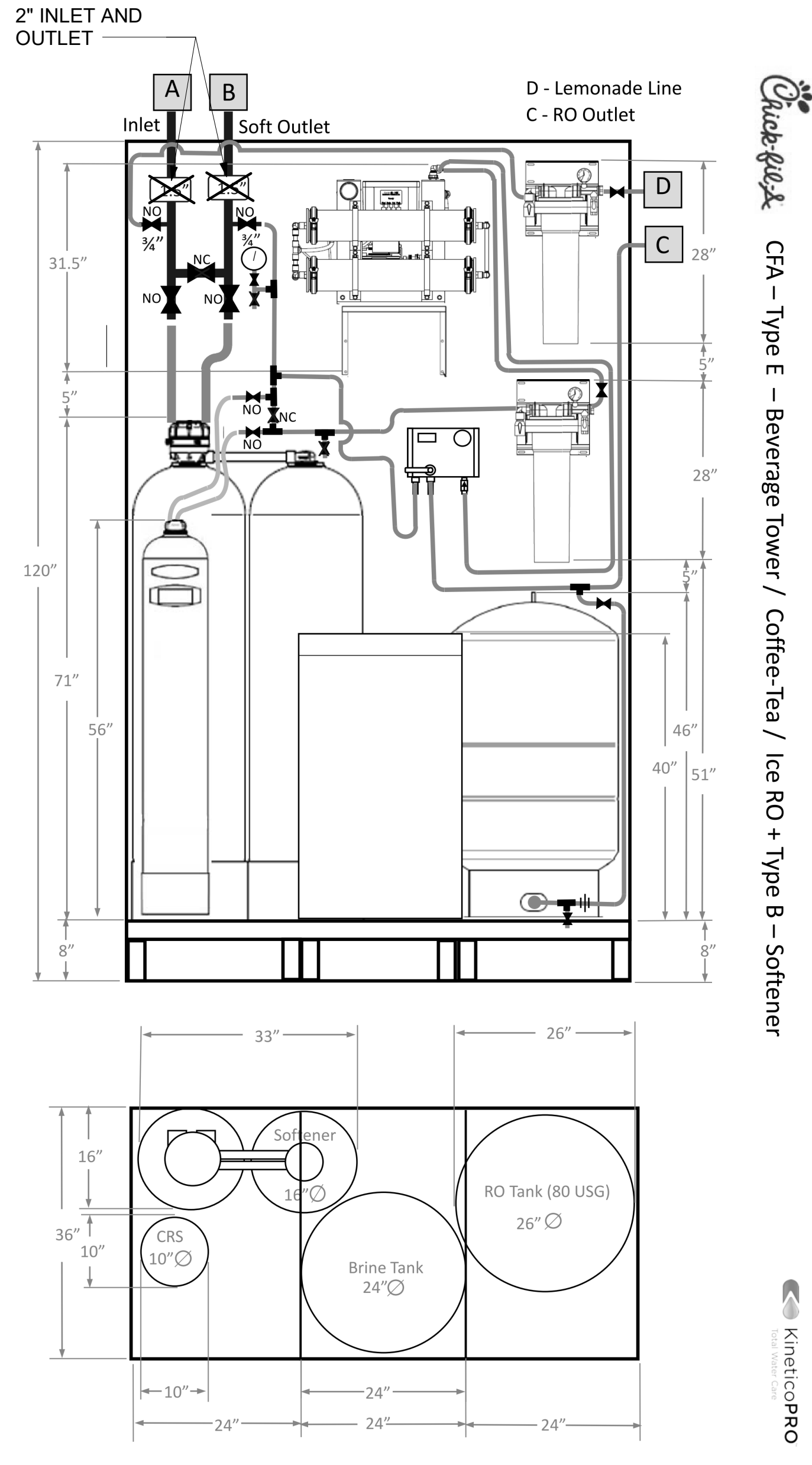
2. KITCHEN EQUIPMENT SCHEDULE							
TAG	DESCRIPTION	FW	FW2	CW	HW	WASTE	ROUGH-IN
(305)	TEA BREWER	1/2"	X	X	X	X	P-24, SEE K-611 & 6/P-211
(308)	COFFEE MAKER	1/2"	X	X	X	X	P-24, SEE K-611 & 6/P-211
(318A)	CARBONATOR BFP PANEL	3/4"	X	X	X	X	P-28, SEE K-611
(350)	WATER FILTER PANEL	(3) 3/4"	3/4"	3/4"	X	X	SEE DET 5/P-303
(360E)	EMERGENCY EYEWASH STATION	X	X	1/2"	1/2"	X	1/2" TEPID WATER FROM P-42, SEE K-611 & 1/P-201
(363)	DISHWASHER	X	X	3/4"	X	INDIRECT TO P13A	P-41, SEE K-611 & 1/P-201
(365)	POT SINK	X	X	(2) 1/2"	(2) 1/2"	INDIRECT	TWO #365F FAUCETS, P-9 SEE K-611
(367)	VEGETABLE PREP SINK	X	X	1/2"	1/2"	INDIRECT	#367F FAUCET, P-8 SEE K-611
(367FW)	FILTERED WATER FAUCET	(2) 1/2"	X	X	X	X	P-30 48" AFF.
(368FW)	FILTERED WATER FAUCET	(2) 1/2"	X	X	X	X	P-30 48" AFF.
(370)	MOP SINK	X	X	1/2"	1/2"	3" P-35	P-7 SEE K-611
(380)	ICE MAKER	X	(3) 1/2"	X	X	INDIRECT	P-23 SEE K-611 & 3/P-201
(381)	ICE BIN (1 HEAD)	X	X	X	X	INDIRECT	SEE DET 3/P-201
(384)	ICE BIN (2 HEAD)	X	X	X	X	INDIRECT	SEE DET 3/P-201
(592)	RETHEMALIZER	X	X	1/2"	X	INDIRECT	SEE DET 3/P-302

1. FIXTURE CONNECTION SCHEDULE						
MARK	FIXTURE	FW	FW2	CW	HW	WASTE
P-1	WATER CLOSET - FLOOR MOUNT (1.28 GPF)	X	X	1"	X	3"
P-2	WATER CLOSET - ADA FLOOR MOUNT (1.28 GPF)	X	X	1"	X	3"
P-3	URINAL - ADA WALL HUNG (0.125 GPF)	X	X	3/4"	X	2"
P-4A	LAVATORY - ADA COUNTERTOP (0.50 GPM)	X	X	1/2"	1/2"	1-1/4"
P-4B	LAVATORY - ADA WALL-MOUNTED (0.50 GPM)	X	X	1/2"	1/2"	1-1/4"
P-5	KITCHEN HAND SINK - WALL HUNG (0.50 GPM)	X	X	1/2"	1/2"	1-1/2"
P-5A	KITCHEN DUMP SINK - WALL HUNG (1.0 GPM)	X	X	1/2"	1/2"	1-1/2"
P-6	SINGLE COMP SINK - COUNTERTOP (1.0 GPM)	X	X	1/2"	1/2"	1-1/2"
P-7	MOP SINK	X	X	1/2"	1/2"	3"
P-8	VEGETABLE PREP SINK (1.0 GPM SPRAYER)	X	X	1/2"	1/2"	(2) 1-1/2"
P-9	POT SINK (1.0 GPM SPRAYER)	X	X	(2) 1/2"	(2) 1/2"	(4) 1-1/2"
P-10	FLOOR DRAIN (ROUND TOP)	X	X	X	X	3"
P-11	WALL HYDRANT (NON FREEZE)	X	X	3/4"	X	X
P-12	FUNNEL DRAIN (3")	X	X	X	X	3"
P-13A	FLOOR SINK (4") 12" TOP	X	X	X	X	4"
P-13B	FLOOR SINK (3") 8" TOP	X	X	X	X	3"
P-13C	FLOOR SINK (3") 8" TOP	X	X	X	X	3"
P-14	CLEANOUT INSIDE BUILDING	X	X	X	X	SEE PLAN
P-15	CLEANOUT OUTSIDE BUILDING	X	X	X	X	SEE PLAN
P-16	3-WAY VALVE/VACUUM BREAKER	X	X	3/4"	3/4"	X
P-17	VACUUM RELIEF VALVE	X	X	3/4"	X	X
P-18	EXPANSION TANK	X	X	3/4"	X	X
P-19	WATER HEATER	X	X	1"	1"	X
P-20	THERMOMETER	X	X	X	1/2"	X
P-21	BACKFLOW PREVENTER	X	X	1-1/2"	X	X
P-23	UTILITY CONNECTION (ICE MAKER)	X	1/2"	X	X	X
P-24	UTILITY CONNECTION (COFFEE & TEA)	1/2"	X	X	X	X
P-25	SHOCK ABSORBER	1/2"	1/2" & 3/4"	1/2"	1/2"	X
P-26	FUNNEL DRAIN	X	X	X	X	3"
P-26A	TRAP SEAL PROTECTOR	X	X	X	X	3"
P-27	WATER PRESSURE GAUGE	X	X	1/4"	X	X
P-28	BALL VALVE-CARBONATOR STOP/BFP PANEL	3/4"	X	X	X	X
P-29A	ICE MACHINE TRENCH DRAIN	X	X	X	X	3"
P-29B	ICE MACHINE TRENCH DRAIN	X	X	X	X	3"
P-30a	FILTERED WATER FAUCET	(2) 1/2"	X	X	X	X
P-31	DUMPSTER POST HYDRANT	X	X	3/4"	X	X
P-32	DUMPSTER DRAIN	X	X	X	X	3"
P-33	TRAP PRIMER (MECHANICAL TYPE)	X	X	1/2"	X	X
P-34	DISPENSER BACKFLOW PREVENTER	1/2"	X	X	X	X
P-35	FLOOR DRAIN	X	X	X	X	3"
P-36	BEVERAGE TOWER INDIRECT RECEIVER	X	X	X	1/2"	X
P-37	FLOOR DRAIN (SQUARE TOP)	X	X	X	X	3"
P-38	HOT WATER CIRCULATING PUMP	X	X	X	X	X
P-39	PRESSURE REDUCING VALVE	X	X	2"	X	X
P-40	WYE STRAINER	X	X	2"	X	X
P-41H	DISHWASHER SUPPLY VALVE - HOBART	X	X	3/4"	X	X
P-42	EMERGENCY EYEWASH MIXING VALVE	X	X	1/2"	1/2"	X
P-43	RETHEMALIZER SUPPLY VALVE	X	X	3/4"	X	X
P-50	WATER METER (IRRIGATION/DEDUCT)	X	X	1"	X	X
P-51	WATER METER (DOMESTIC)	X	X	1-1/2"	X	X

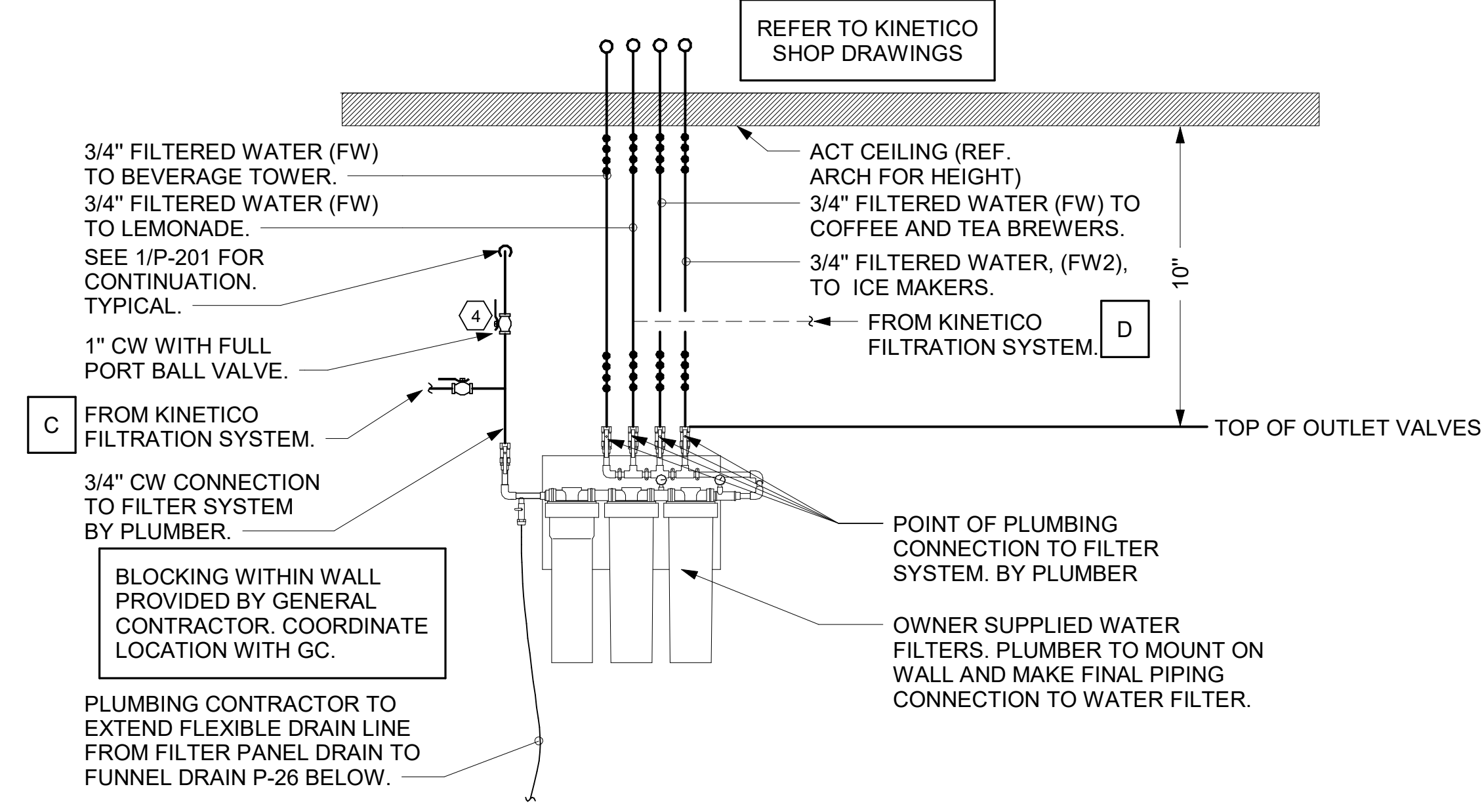
NOTES: ① REFER TO FOOD SERVICE DRAWINGS FOR KITCHEN EQUIPMENT INSTALLATION AND HOOK-UP RESPONSIBILITIES.
② DO NOT MANIFOLD POT OR PREP SINK DRAINS TOGETHER UNLESS ALLOWED BY LOCAL AUTHORITY.

WATER FILTRATION SYSTEM NOTES:

- PLUMBING CONTRACTOR IS RESPONSIBLE FOR WATER SOFTENER 2" INLET/OUTLET, 3-WAY VALVE BYPASS, & (2) 3/4" CAPPED WATER LINES CONNECTED TO INLET/OUTLET. SEE DETAIL #7 BELOW.
- PLUMBING CONTRACTOR IS RESPONSIBLE FOR WATER FILTER CONNECTIONS FROM PROTOTYPICAL T1 FILTRATION SYSTEM (#350). SEE DETAIL #5 THIS SHEET.
- PLUMBING CONTRACTOR SHALL REVIEW *DESIGNNOTE 2020-017* AND *SYSTEMS TYPE GUIDE* DEVELOPED BY CFA & KINETICO.



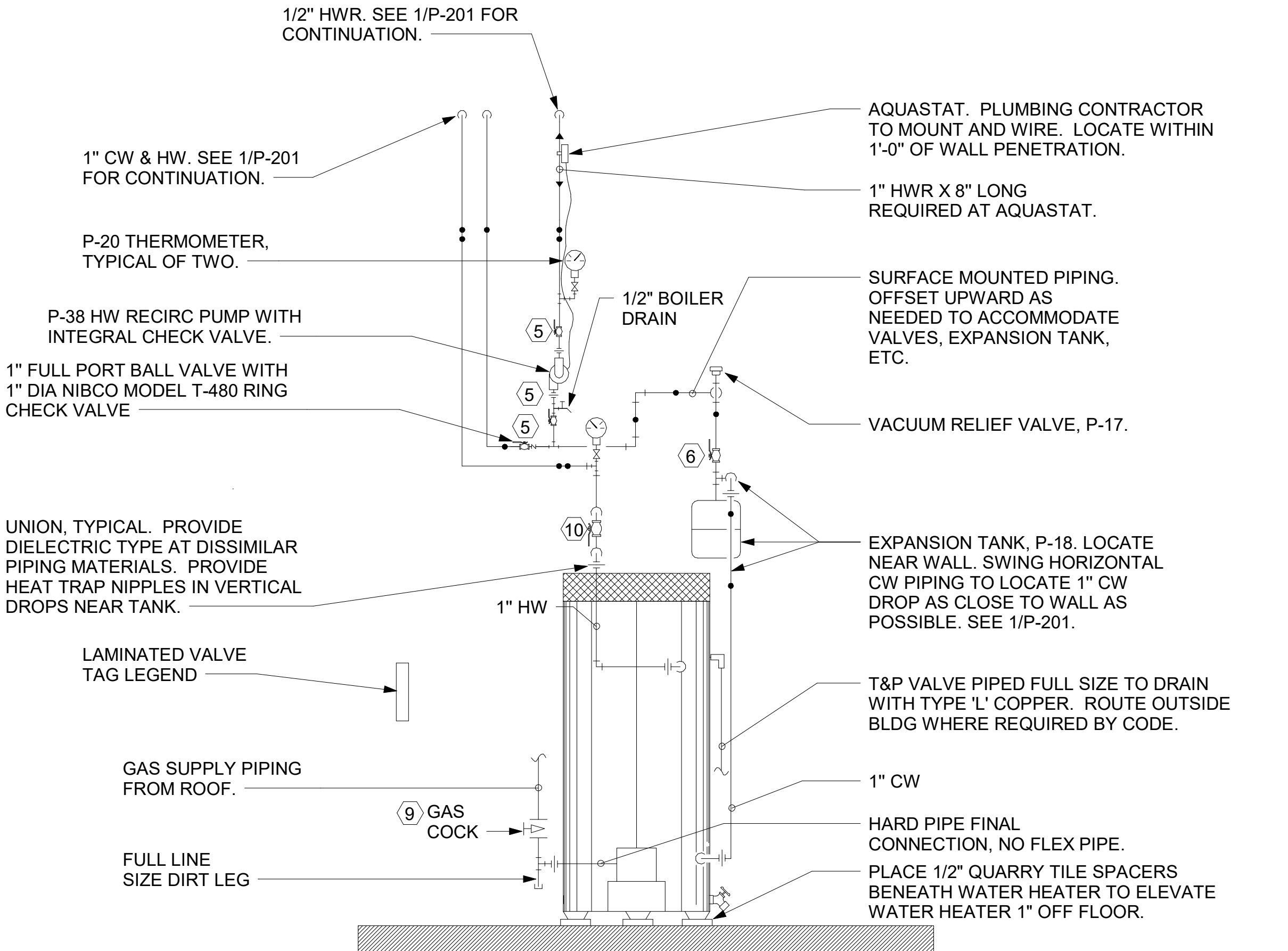
① KINETICO INSTALLATION DRAWINGS NOT TO SCALE



⑤ PIPING AT WATER FILTER NOT TO SCALE

NOTES TO WATER HEATER INSTALLER:

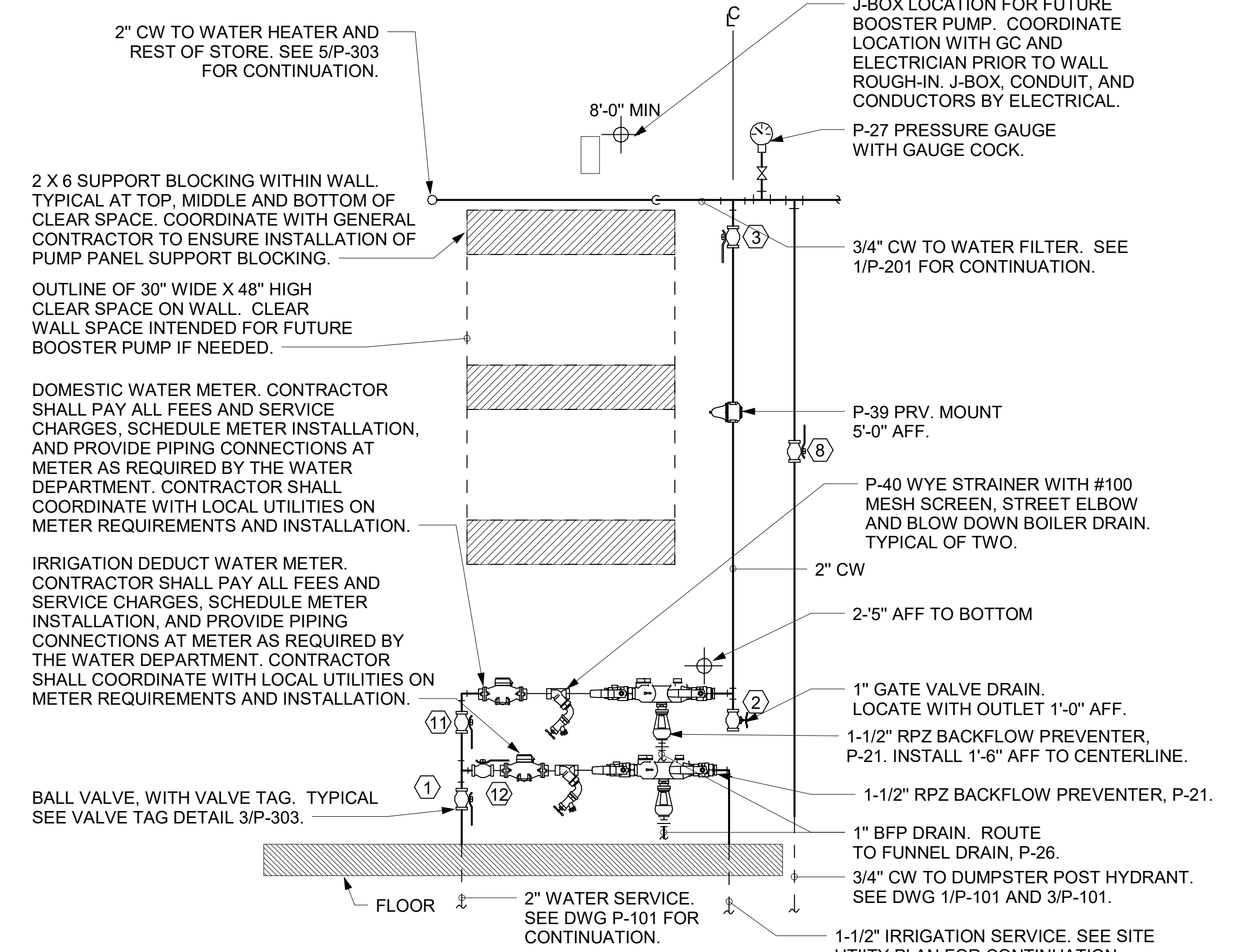
- POSITION VALVES AND TRIM SUCH THAT VALVES AND TRIM ARE UNOBSTRUCTED TO VIEW AND SO THAT ACCESS FOR OPERATION OR REPAIR IS POSSIBLE WITHOUT USE OF STEP LADDERS OR NEED TO DISASSEMBLE ANY COMPONENTS.
- VENT HEATER UP THRU ROOF AND PROVIDE FRESH AIR PIPING PER MANUFACTURER'S RECOMMENDATIONS.



⑥ PIPING AT WATER HEATER NOT TO SCALE

NOTE OF SPECIAL IMPORTANCE

- LOCATIONS OF 2" CW RISER AND CLEAR SPACE ARE DIMENSIONED BECAUSE THEY ARE CRITICAL FOR THE FUTURE PUMP PANEL INSTALLATION.
- GENERAL CONTRACTOR SHALL ENSURE OTHER TRADES SHALL NOT INSTALL ANY OTHER BUILDING COMPONENT WITHIN CLEAR SPACE OR WITHIN 10" OF EDGES.



④ PIPING AT WATER SERVICE ENTRANCE IN MECHANICAL ROOM NOT TO SCALE



Chick-fil-A
5200 Buffington Road
Atlanta, Georgia
30349-2998

Kurzynske & Associates
2705 Lebanon Pike - Suite One
Nashville, Tennessee 37214
Telephone: (615) 255-5203



CHICK-FIL-A
West Carmel FSU
9965 N MICHIGAN ROAD
CARMEL, IN 46032

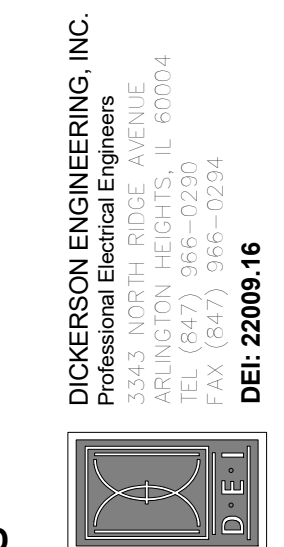
FSR#04978
BUILDING TYPE / SIZE: P14 LS LRG
RELEASE: 22.08

REVISION SCHEDULE		
NO.	DATE	DESCRIPTION

For Construction -
CONSULTANT PROJECT # 22169.CD.S
DATE 03/24/23
DRAWN BY CAC
Information contained on this drawing is the property of Chick-fil-A and is to be used only for the project and location specified. No part of this drawing may be reproduced or transmitted in any form or by any means, electronic, mechanical, photocopying, recording, or by any information storage and retrieval system, without the prior written permission of Chick-fil-A.
DETAILS AND SCHEDULES
SHEET NUMBER



Chick-fil-A
 5200 Buffington Road
 Atlanta, Georgia
 30349-2998



DICKERSON ENGINEERING, INC.
 Professional Electrical Engineers
 1345 WORTH RIDGE AVENUE
 SUITE 100
 CUMMINGS, GA 30628
 TEL: (770) 946-0020
 FAX: (770) 946-0024
 DEI: 22008-16

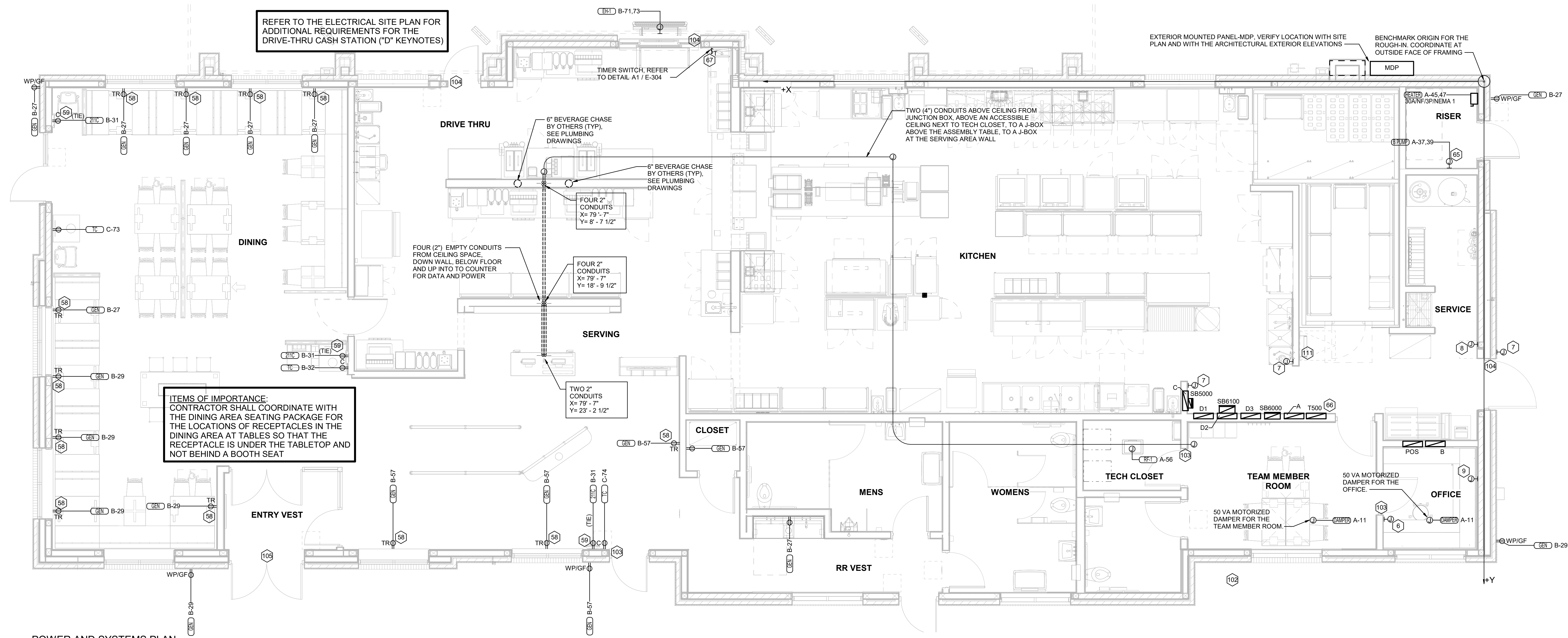
CHICK-FIL-A
WEST CARMEL FSU
 9965 N. MICHIGAN ROAD
 CARMEL, IN 46032

FSR#04978

BUILDING TYPE / SIZE: P14 LS
 RELEASE: 22.08
 PRINTED FOR:
ISSUED FOR CONSTRUCTION

REVISION SCHEDULE		
NO.	DATE	DESCRIPTION

CONSULTANT PROJECT #	74250
DATE	03/24/23
DRAWN BY	Author
Information contained on this drawing and all digital files produced for above named project may not be reproduced in any manner without express written or verbal consent from authorized project representatives.	
POWER AND SYSTEMS PLAN	
SHEET	
SHEET NUMBER	E-221



C1 POWER AND SYSTEMS PLAN
 1/4" = 1'-0"

POWER PLAN GENERAL NOTES

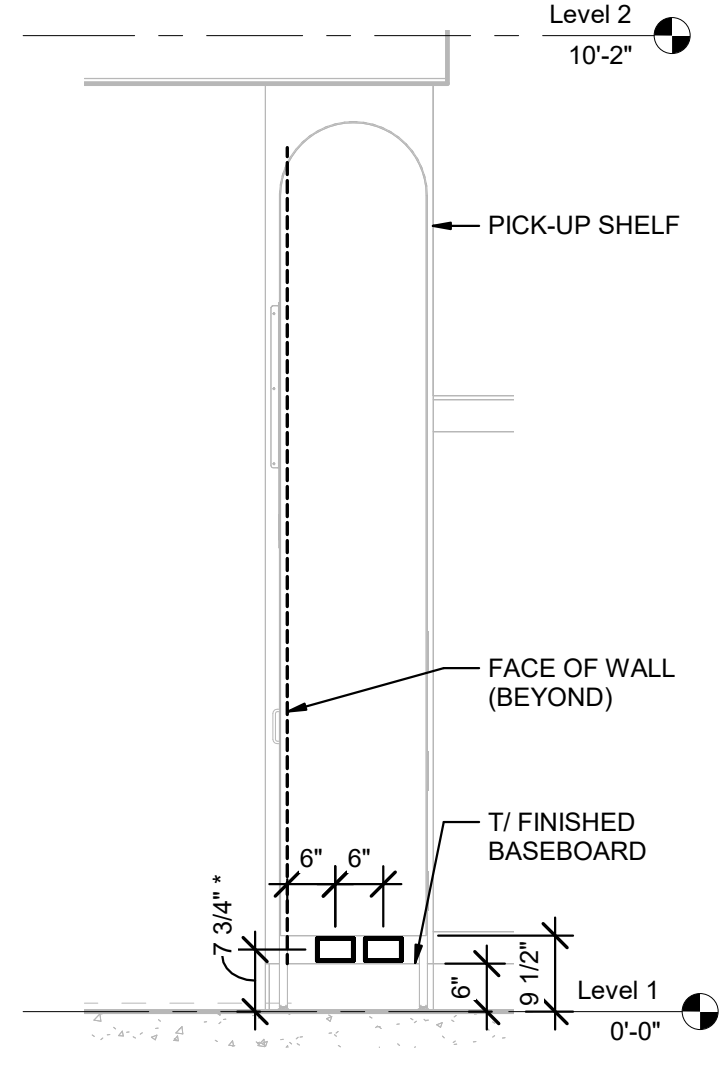
- A. ALL SECURITY, POS, MUSIC, COMMUNICATIONS, AND POWER ROUGH-IN SHALL BE INSTALLED DURING THE FRAMING/ROUGH-IN PHASE OF CONSTRUCTION.
- B. REFER TO KITCHEN EQUIPMENT SHEETS FOR EQUIPMENT ELECTRICAL ROUGH-IN ELEVATIONS ABOVE FINISHED FLOOR.
- C. ALL EMPTY CONDUITS SHALL BE PROVIDED WITH PULL STRING.
- D. PROVIDE INSULATED BUSHING AT TERMINATION POINTS OF ALL CONDUITS FOR LOW VOLTAGE WIRING.
- E. THE ELECTRICAL INSTALLER SHALL COORDINATE THE ROUTING OF ALL CONDUIT IN THE BUILDING WITH OTHER TRADES (SPECIFICALLY THE DUCTWORK INSTALLATION) TO AVOID CONFLICTS OF SPACE REQUIREMENTS IN WALLS AND CEILING SPACES.

ELECTRICAL KEYNOTES

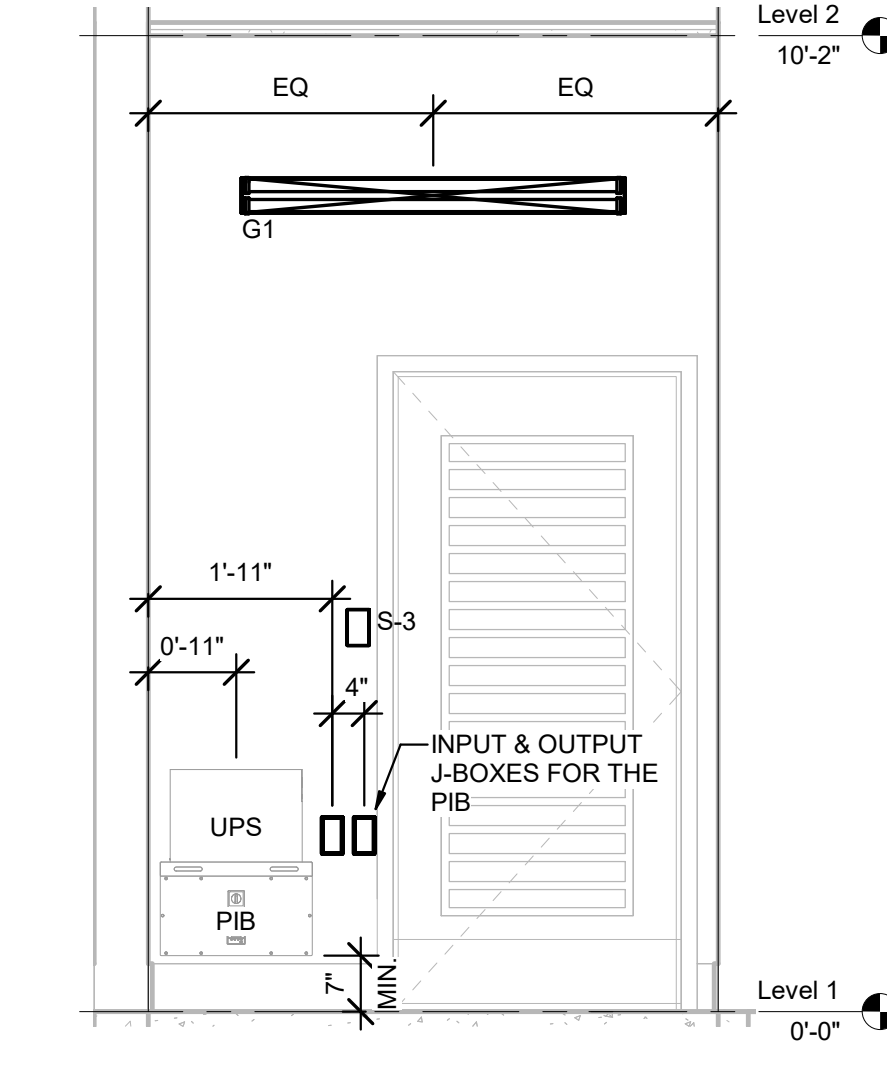
- 6 CO2 CENTRAL CONTROL UNIT - PROVIDE SINGLE-GANG BACKBOX AT 60" AFF WITH 3/4" CONDUIT STUBBED ABOVE ACCESSIBLE CEILING SPACE
- 7 CO2 ANNUNCIATOR UNIT - PROVIDE SINGLE-GANG BACKBOX AT 60" AFF WITH 3/4" CONDUIT STUBBED ABOVE ACCESSIBLE CEILING SPACE
- 8 CO2 SENSOR UNIT - PROVIDE SINGLE-GANG BACKBOX AT 12" AFF WITH 3/4" CONDUIT STUBBED ABOVE ACCESSIBLE CEILING SPACE
- 9 CO2 POWER SUPPLY - PROVIDE SINGLE-GANG BACKBOX AT 18" BELOW CEILING WITH 3/4" CONDUIT STUBBED ABOVE ACCESSIBLE CEILING SPACE. PROVIDE DUPLEX OUTLET, AND CONNECT TO A LOCAL GENERAL OUTLET CIRCUIT. FIELD VERIFY EXACT LOCATION WITH STRONG SYSTEMS 800-500-5566
- 58 TAMPER RESISTANT (TR) DUPLEX RECEPTACLE (IN DINING AREAS) WITH USB CHARGER SHALL BE COOPER/ARROW HART #TR756-B (BROWN) WITH MATCHING COLOR 'DECOR' STYLE PLATE. VERIFY COLOR WITH OWNER.
- 59 PROVIDE DUPLEX RECEPTACLE (SEE ELEVATIONS FOR MTG HT) IN AN ARLINGTON #DVR2W DOUBLE-GANG RECESSED BOX FOR THE FLY SYSTEM ITEMS. DO NOT CUT THE CORDSET FURNISHED WITH THE UNIT, BUT COIL THE CORD ON THE BACK OF THE UNIT AND TUCK INTO THE BACKBOX.
- 64 PROVIDE TWO 6"H X 6"W X 4"D J-BOXES (ONE FOR TELEPHONE AND ONE FOR ISP) AT 6'-6" AFF AND EXTEND A 2" CONDUIT WITH PULL STRING IN THE WALL FROM EACH J-BOX INTO THE ACCESSIBLE CEILING SPACE. PROVIDE A 36" X 36" X 3/4" PLYWOOD BACKBOARD ON THE WALL ABOVE THE J-BOXES (AT THE CEILING) FOR USE BY THE ISP. PROVIDE A COPPER GROUND BAR (EQUAL TO ERICO TGBA24L14P) AT THE BOTTOM OF THE BACKBOARD WITH A #6 AWG INSULATED CU GROUNDING CONDUCTOR IN A 3/4"C FROM THE GROUND BAR TO THE INTER SYSTEM BONDING TERMINATION NEXT TO THE SERVICE ENTRANCE. THE GROUND BAR SHALL HAVE TAPS FOR USE BY THE TELEPHONE AND ISP UTILITY COMPANIES AND FOR THE #6 COMMUNICATIONS GROUNDING CONDUCTOR TO THE GEB. PROVIDE A 15 AMP ISOLATED GROUND (IG) ORANGE-FACED DUPLEX RECEPTACLE IN THE WALL BESIDE THE BACKBOARD AND LABEL THE RECEPTACLE "FOR FIBER TO CABLE MODEM USE ONLY". BOND NETWORK RACKS TO GROUND BAR.
- 65 PROVIDE JUNCTION BOX AT 8'-0" AFF WITH CONDUIT AND CONDUCTORS TO PANELBOARD FOR FUTURE CONNECTION TO BOOSTER PUMP. REFER TO THE PLUMBING DRAWINGS FOR ADDITIONAL INFORMATION.
- 66 THE STORE OPEN-CLOSE UNIT SWITCH IS FURNISHED WITH THE CFA-T500 CONTROL PANEL AND FACTORY INSTALLED IN THE DOOR OF THE CFA-T500 CABINET.

ELECTRICAL KEYNOTES

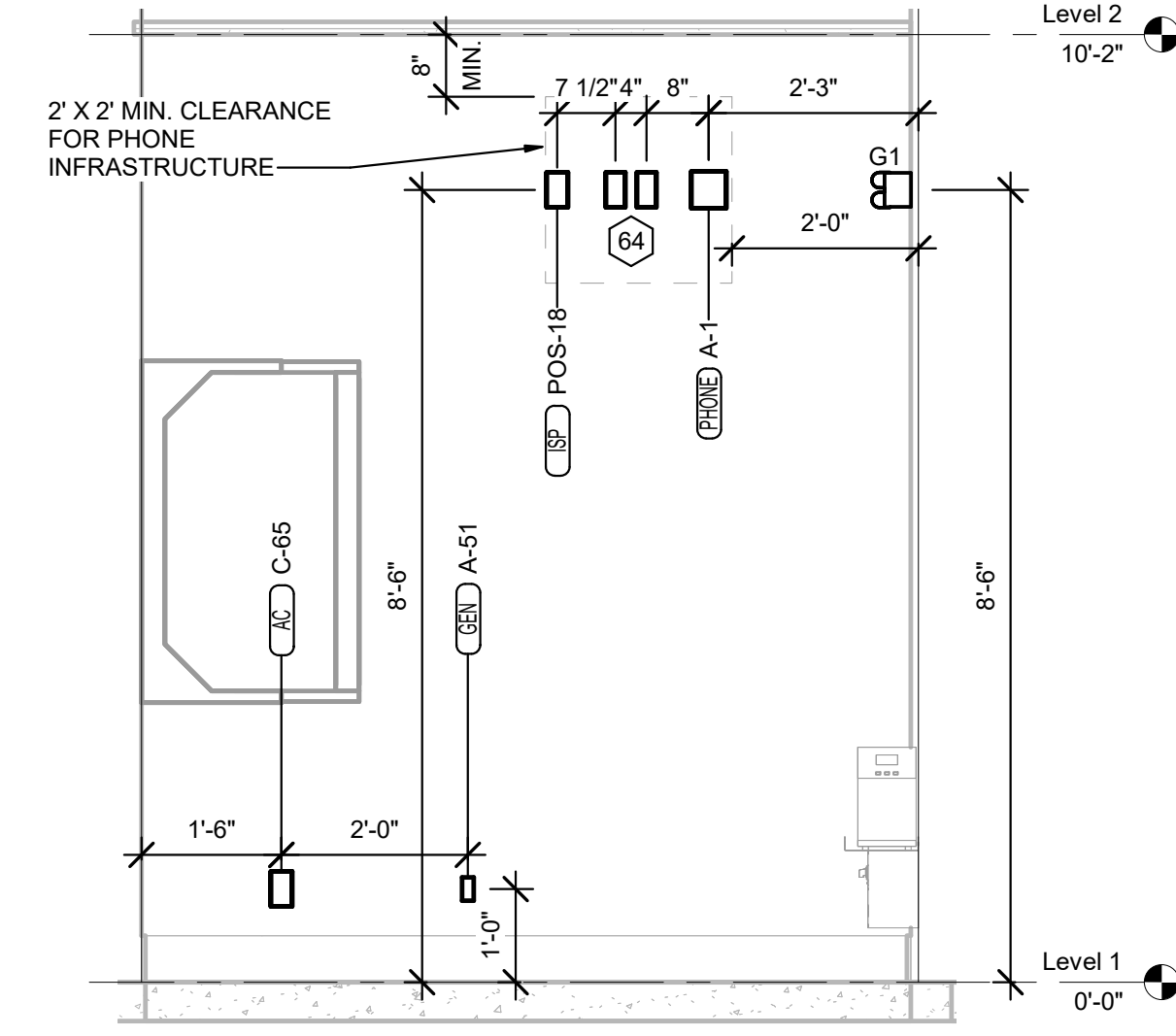
- 67 TIMER SWITCH FOR OUTSIDE ELECTRIC HEATER. REFER TO E304 FOR DETAILS AND WIRING SCHEMATIC.
- 102 PROVIDE A 1/2" CONDUIT THRU THE EXTERIOR WALL AND STUBBED INTO THE ACCESSIBLE CEILING SPACE FOR THE EXTERIOR WALL MOUNTED AUDIO-VISUAL ALARM NOTIFICATION DEVICE. VERIFY LOCATION WITH THE EXTERIOR ELEVATIONS AND WITH THE SECURITY INSTALLER. TYPICALLY TO BE LOCATED NEAR THE FIRE PROTECTION SYSTEM'S EXTERIOR ALARM UNIT AND VISIBLE FROM THE STREET.
- 103 EXTEND 1/2" RIGID CONDUIT FROM TOP OF STRIKE-SIDE DOOR FRAME CHANNEL TO ABOVE ACCESSIBLE CEILING.
- 104 EXTEND 3/4" RIGID CONDUIT FROM TOP OF STRIKE-SIDE DOOR FRAME CHANNEL TO ABOVE ACCESSIBLE CEILING.
- 105 EXTEND 1/2" CONDUIT FROM A POINT 3" WITHIN EITHER HINGE-SIDE DOOR VERTICAL FRAME MULLION TO ABOVE ACCESSIBLE CEILING.
- 111 PROVIDE JUNCTION BOX ON THE LATCH SIDE OF THE ROOF ACCESS HATCH WITH 1/2" CONDUIT ABOVE THE CEILING TO AN ACCESSIBLE CEILING SPACE FOR A DOOR CONTACT.



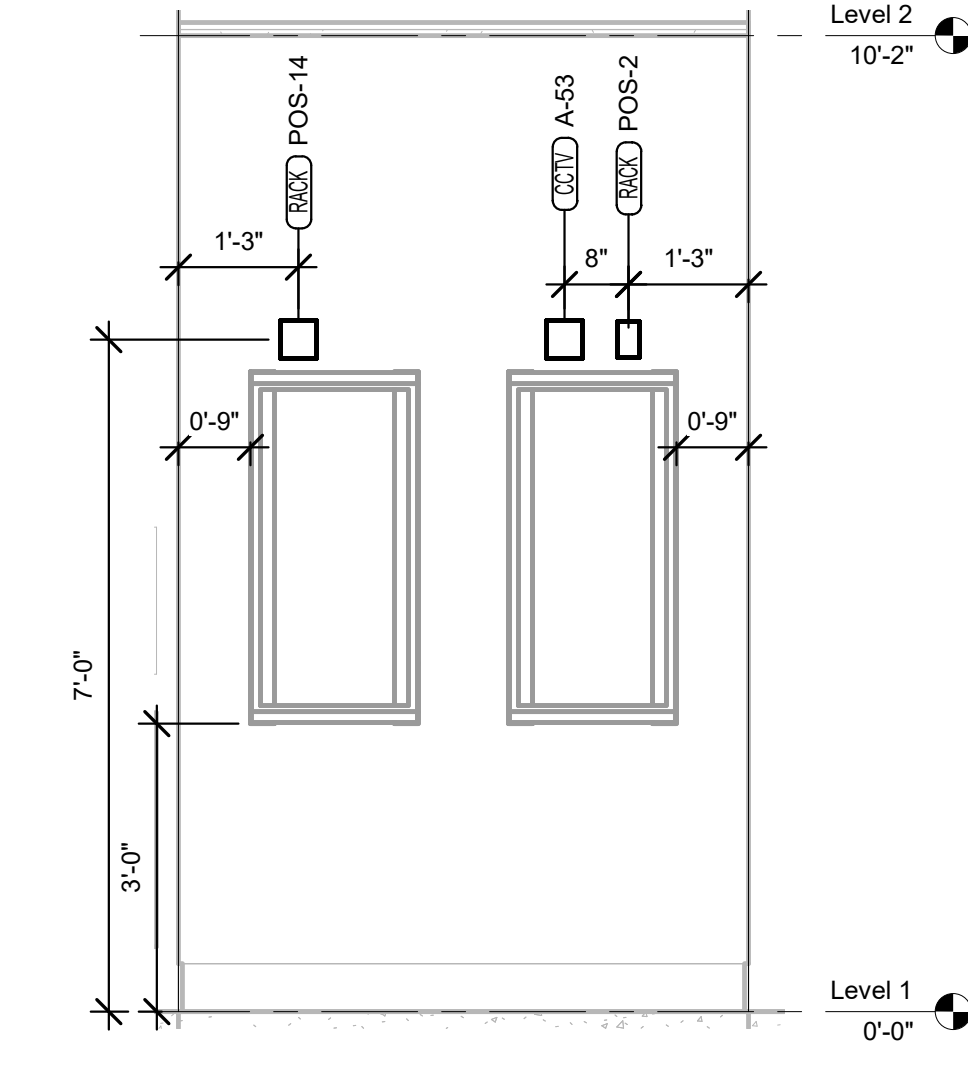
B4 PICK-UP SHELF ELEV
 1/2" = 1'-0"



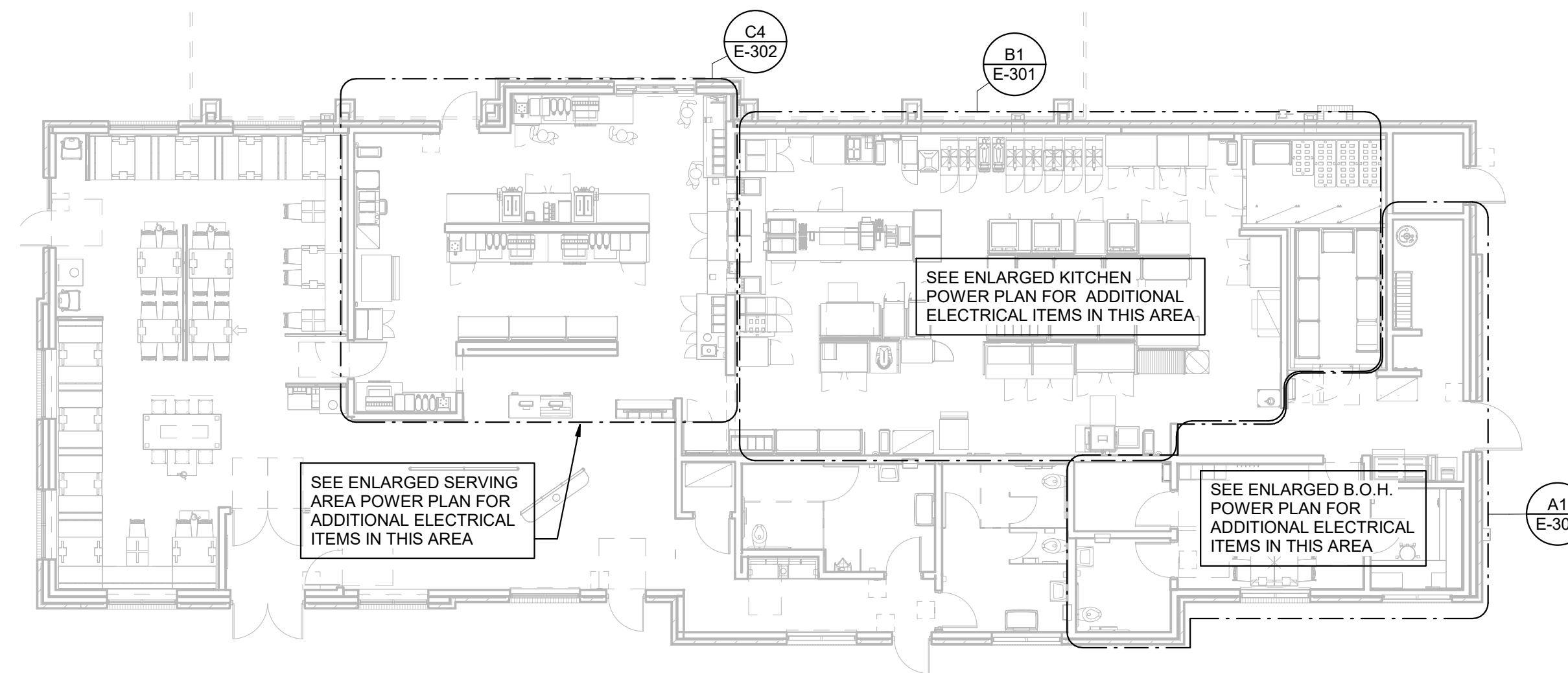
B3 TECH CLOS. ELEV LEFT
 1/2" = 1'-0"



B2 TECH CLOS. ELEV CENTER
 1/2" = 1'-0"



B1 TECH CLOS. ELEV RIGHT
 1/2" = 1'-0"

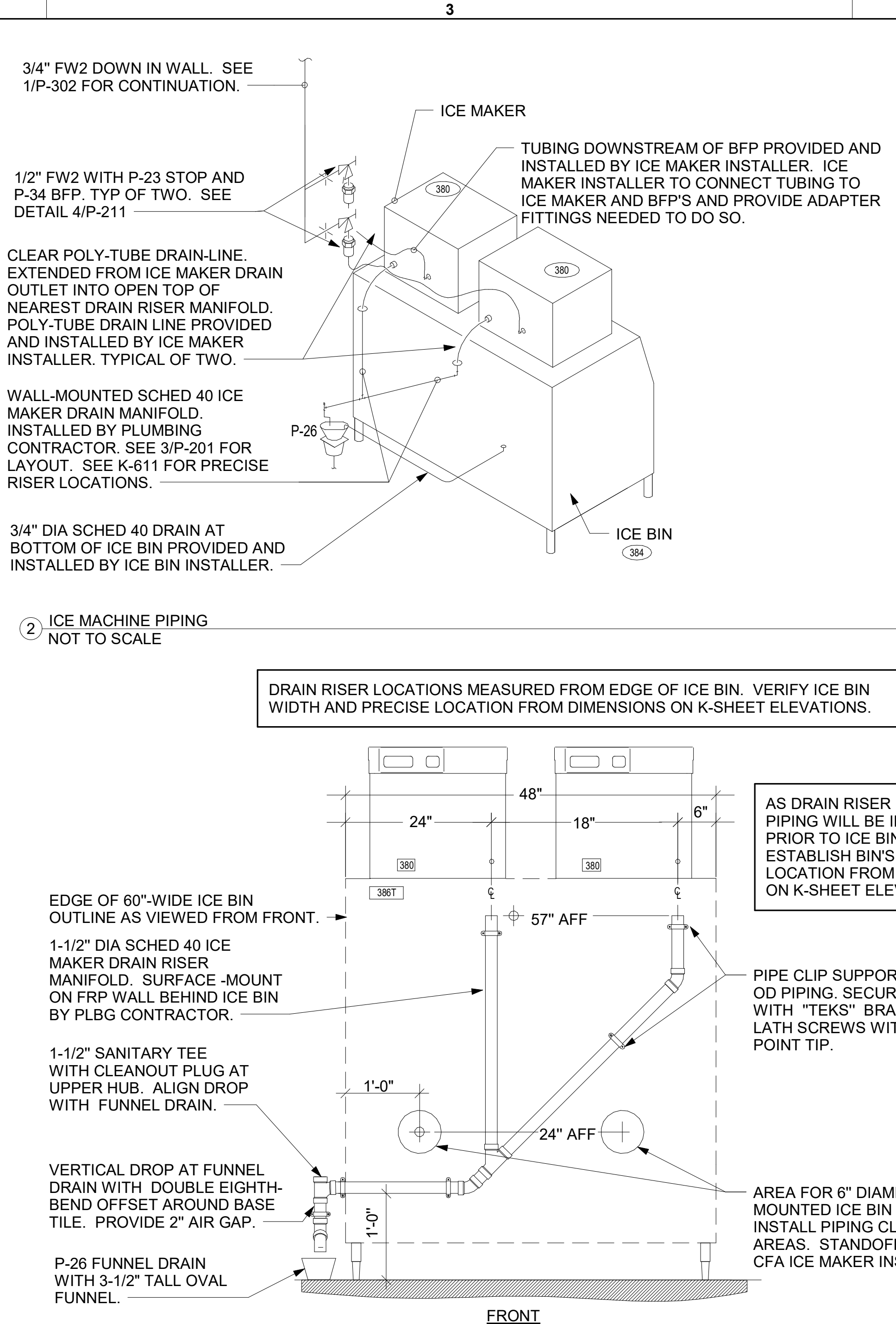
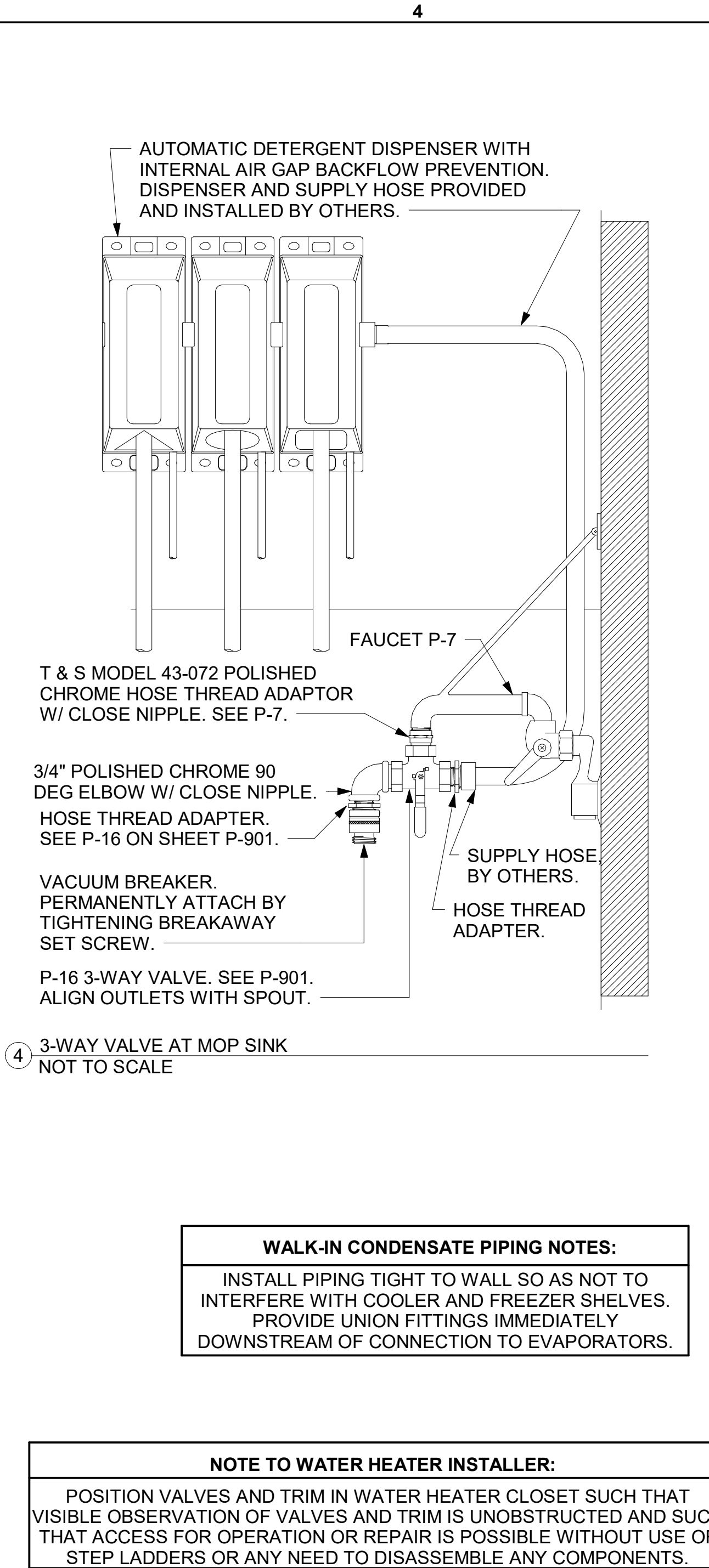


A1 ELECTRICAL KEY PLAN
 N.T.S.

3/24/2023 9:39:31 AM Autodesk Docs://IN_04978_WestCarmel (IN)FSU_2022.7_FSR04978_WestCarmel (IN)FSU_ELE.rvt
 50-LS-04978-E-221-POWER AND SYSTEMS PLAN

3/22/2023 4:52:32 PM Autodesk Docs://IN_04978_West Carmel (IN) FSU_2022.7_FSR#04978_West Carmel (IN) FSU_PLB.plt 40-LS-04978-P-201-WATER AND OIL PIPING PLAN

E
D
C
B
A



WALK-IN CONDENSATE PIPING NOTES:
INSTALL PIPING TIGHT TO WALL SO AS NOT TO INTERFERE WITH COOLER AND FREEZER SHELVES. PROVIDE UNION FITTINGS IMMEDIATELY DOWNSTREAM OF CONNECTION TO EVAPORATORS.

NOTE TO WATER HEATER INSTALLER:
POSITION VALVES AND TRIM IN WATER HEATER CLOSET SUCH THAT VISIBLE OBSERVATION OF VALVES AND TRIM IS UNOBSTRUCTED AND SUCH THAT ACCESS FOR OPERATION OR REPAIR IS POSSIBLE WITHOUT USE OF STEP LADDERS OR ANY NEED TO DISASSEMBLE ANY COMPONENTS.

ICE MACHINE PIPING
NOT TO SCALE

ICE MAKER DRAIN ON WALL
NOT TO SCALE

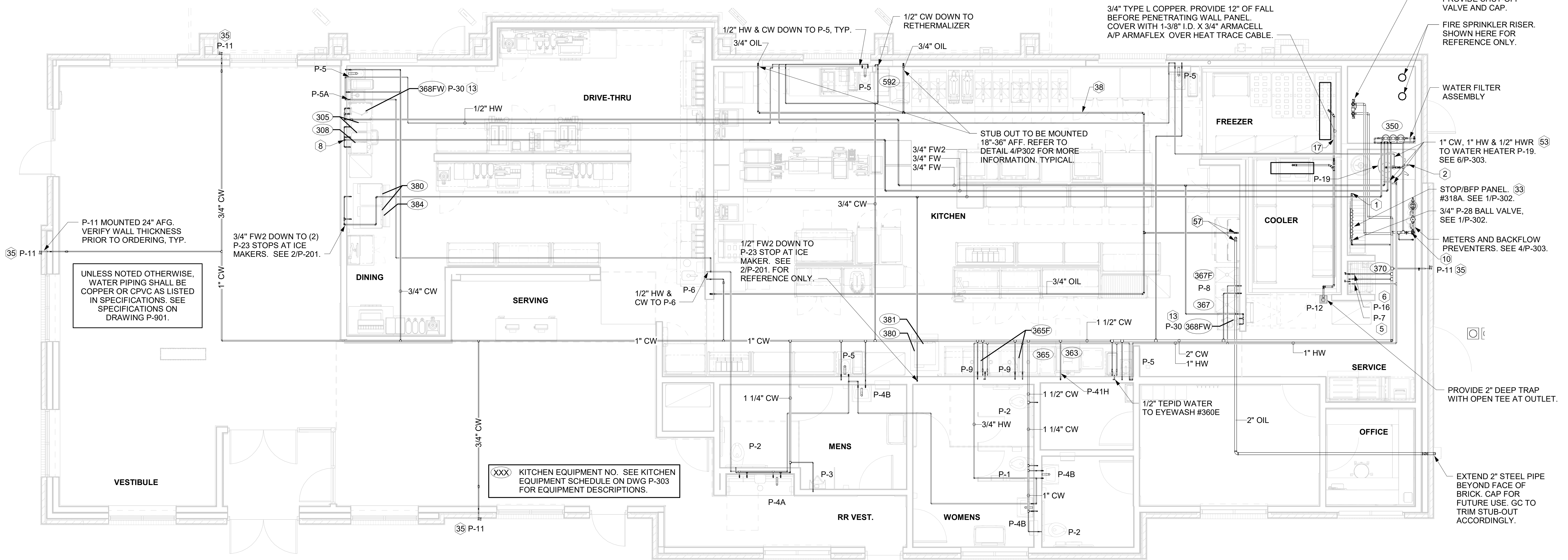
KEY NOTES

- 1" DIAMETER PVC DRAIN FROM BACKFLOW PREVENTER PANEL. CONNECT 1" PVC TO FACTORY PROVIDED COUPLING MOUNTED ON BACK PANEL. ROUTE DRAIN TO P-26 FUNNEL DRAIN AT END OF BAG-N-BOX. MOUNT PIPING TIGHT TO WALL WITH STRUT AND CLAMP.
- 1" GAS DOWN FROM ROOF FOR P-19. SEE 6/P-303 FOR CONTINUATION. OFFSET DROP WITHIN WALL ABOVE MECH ROOM CEILING.
- 1/2" HW AND CW DROPS TO MOP SINK FAUCET SET P-7. PROVIDE BALL VALVE FOR EACH ABOVE CEILING WITH P-22 BALL CHECK VALVE IN EACH DROP. SEE RISER DIAGRAM 1/P-302.
- 1/2" HW AND CW DROPS TO P-16 WALL FAUCET WITH VACUUM BREAKER FOR DEDICATED CONNECTION TO ECOLAB DETERGENT DISPENSER. MOUNT AS SHOWN ON K-SHEETS. PROVIDE BALL VALVES IN SUPPLY ABOVE CEILING.
- 1/2" CW ON WALL. SEE 4/P-303 FOR EXACT ROUTING LOCATIONS OF CW PIPING IN THIS AREA.
- 3/4" FW DROP TO TWO-HANDLE FAUCET, P-30. MOUNT FAUCET ON WALL. SEE K-SHEETS FOR EXACT LOCATION. PIPE 1/2" FW TO EACH FAUCET INLET WITH 6" SPREAD. PROVIDE BALL VALVE ABOVE CEILING. SEE RISER DIAGRAM 1/P-302.
- APPLY RAYCHEM XL-TRACE, MODEL 5XL-1, SELF REGULATING HEATING CABLE. USE END SEAL KIT FROM MFR. PROVIDE P-TRAP IN CONDENSATE DRAIN ON COOLER SIDE OF COOLER-FREEZER PANEL WALL WITH OPEN-TOPPED TEE AT TRAP OUTLET. PROVIDE 6" OF FALL IN FREEZER DRAIN LINE PRIOR TO PENETRATING PANEL WALL. EXTEND HEAT TRACE TO P-TRAP OUTLET IN COOLER.
- OWNER PROVIDED, PLUMBER INSTALLED STOP/BFP PANEL. SEE K-SHEET ELEVATIONS FOR EXACT LOCATION. PROVIDE EXPOSED 3/4" BALL VALVE AT CONNECTION TO PANEL. ROUTE 1" PVC DRAIN FROM FACTORY PANEL DRAIN CONNECTION TO P-26 FUNNEL DRAIN AT END OF BEVERAGE RACK AND TERMINATE WITH ELBOW AND AIR GAP.
- P-11 WALL HYDRANT 24" AFF WITH BALL VALVE IN DROP 48" AFF. ORDER HYDRANT WITH 12" WOODFORD WALL THICKNESS. SEE WATER RISER 1/P-302. SECURE TO WALL WITH STRUT AND CLAMP.
- PROVIDE SCHEDULE 40 (BLACK OR GALVANIZED) STEEL PIPING BACK TO FUTURE DARPRO OIL TANK. PIPING TO BE ROUTED TO ALLOW AS MUCH FALL AS POSSIBLE TO THE TANK.
- SEE 6/P-303 FOR P-19 WATER HEATER, AND P-38 HOT WATER CIRCULATING PUMP. COORDINATE WATER AND DWV PIPING IN THIS AREA WITH HVAC DUCT. SEE M-201 FOR DUCT LAYOUT.
- TURN 3/4" AND 2" SCHEDULE 40 STEEL PIPE DOWN THROUGH CEILING FOR FUTURE DARPRO OIL TANK AND CAP ACCORDINGLY. PROVIDE CHROMED ESCUTCHEONS AT CEILING PENETRATIONS. 3/4" OIL LINE TO BE CAPPED 2" BELOW CEILING.

3. SHEET NOTES

- COORDINATE VENT TERMINAL LOCATIONS WITH FRESH AIR HOODS ON ROOFTOP EQUIPMENT SO AS TO MAINTAIN MINIMUM 15'-0" CLEARANCE.
- HOLD ALL PIPING ABOVE THE CEILING TIGHT TO STRUCTURE. DUCT LOCATIONS TAKE PRIORITY. SEE DRAWING M-201 FOR DUCT LAYOUT. COORDINATE CONFLICTS WITH GC.
- SEE K-SHEET ELEVATIONS FOR KITCHEN EQUIPMENT WATER PIPING ROUGH-IN LOCATIONS.
- SEE SHEET P-211 FOR BEVERAGE CONDUIT PIPING.
- SEE RISER DIAGRAM 1/P-301 FOR VENT PIPING. SEE ROOF PLAN 1/P-250 FOR VENT THRU ROOF (VTR) LOCATION.
- VERIFY WALL TYPE AND WALL THICKNESS AT EXTERIOR HOSE BIBBS PRIOR TO ORDERING EQUIPMENT.
- WATER HEATER PIPING IS SHOWN FOR STATE/A.O. SMITH MODELS WITH SIDE INLET/OUTLET CONNECTIONS. ADJUST PIPING AS NEEDED TO ACCOMMODATE OTHER CONNECTION POINTS WHEN ALTERNATE MODELS ARE PROVIDED.
- COORDINATE ABOVE-CEILING PIPING LOCATIONS AND ROUTING WITH HVAC CONTRACTOR AND M-SHEETS PRIOR TO INSTALLATION. ALL MAIN DUCT TRUNK LOCATIONS SHALL TAKE PRIORITY. PIPING MAY REQUIRE REMOVAL AND REINSTALLATION AT PLUMBING CONTRACTOR'S EXPENSE IF PIPING OBSTRUCTS THE M-SHEET DUCT LAYOUT AS SHOWN OR PREVENTS ACCESS TO GREASE DUCT CLEANOUT OPENINGS.

COORDINATE WITH KINETICO & CORRESPONDING SHOP DRAWINGS FOR TYPE E+B FILTRATION SYSTEM COMPONENTS & CONNECTIONS. SEE DETAIL ON SHEET P-303.



1 WATER AND OIL PIPING PLAN PLUMBING
1/4" = 1'-0"



Chick-fil-A
5200 Buffington Road
Atlanta, Georgia
30349-2998

Kurzynske & Associates
2705 Lebanon Pike - Suite One
Nashville, Tennessee 37214
Telephone: (615) 255-5203

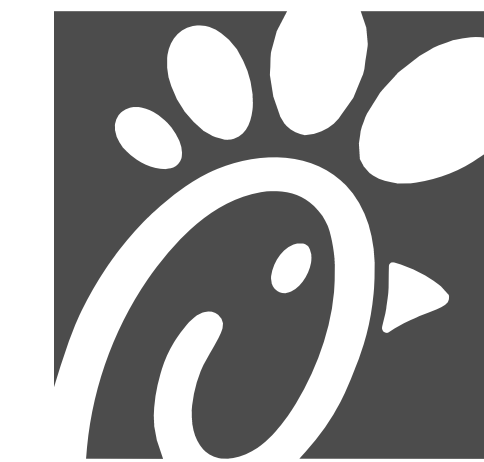


CHICK-FIL-A
West Carmel FSU
9965 N MICHIGAN ROAD
CARMEL, IN 46032

FSR#04978
BUILDING TYPE / SIZE: P14 LS LRG
RELEASE: 22.08

CONSTRUCTION		
REVISION SCHEDULE		
NO.	DATE	DESCRIPTION

For Construction	
CONSULTANT PROJECT #	22169.CD.S
DATE	03/24/23
DRAWN BY	CAC
Information contained on this drawing and all digital files produced for above named project may not be reproduced in any manner without express written or verbal consent from authorized project representatives.	
SHEET WATER AND OIL PIPING PLAN	
SHEET NUMBER	



Chick-fil-A
 Chick-fil-A
 5200 Buffington Road
 Atlanta, Georgia
 30349-2998

DICKERSON ENGINEERING, INC.
 Professional Electrical Engineers
 1345 WINDY RIDGE AVENUE
 SUITE 200
 FARMINGDALE, GA 30204
 (770) 948-0010
 DEEL 22008-16

CHICK-FIL-A
WEST CARMEL FSU
 9965 N. MICHIGAN ROAD
 CARMEL, IN 46032

FSR#04978

BUILDING TYPE / SIZE: P14 LS
 RELEASE: 22-08

ISSUED FOR CONSTRUCTION

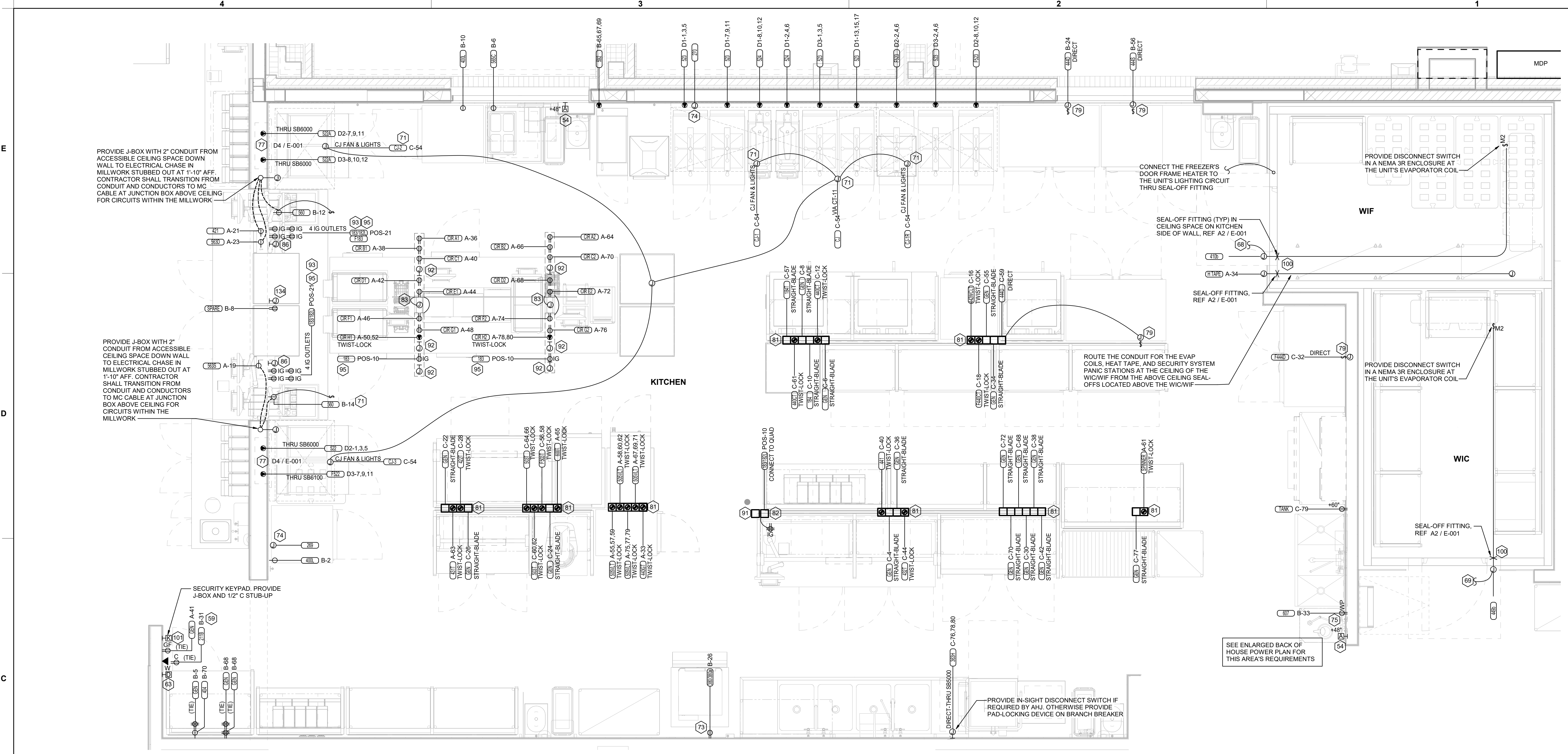
REVISION SCHEDULE		
NO.	DATE	DESCRIPTION

CONSULTANT PROJECT # 74250
 DATE 03/24/23
 DRAWN BY: Author
 Information contained on this drawing and all digital files produced for above named project may not be reproduced in any form without the express written or verbal consent from authorized project representatives.

ENLARGED KITCHEN POWER PLAN

SHEET NUMBER

E-301



B1 ENLARGED KITCHEN POWER PLAN
 1/2" = 1'-0"

POWER PLAN GENERAL NOTES

- A. ALL SECURITY, POS, MUSIC, COMMUNICATIONS, AND POWER ROUGH-IN SHALL BE INSTALLED DURING THE FRAMING/ROUGH-IN PHASE OF CONSTRUCTION.
- B. REFER TO KITCHEN EQUIPMENT SHEETS FOR EQUIPMENT ELECTRICAL ROUGH-IN ELEVATIONS ABOVE FINISHED FLOOR.
- C. ALL EMPTY CONDUITS SHALL BE PROVIDED WITH PULL STRING.
- D. PROVIDE INSULATED BUSHING AT TERMINATION POINTS OF ALL CONDUITS FOR LOW VOLTAGE WIRING.
- E. THE ELECTRICAL INSTALLER SHALL COORDINATE THE ROUTING OF ALL CONDUIT IN THE BUILDING WITH OTHER TRADES (SPECIFICALLY THE DUCTWORK INSTALLATION) TO AVOID CONFLICTS OF SPACE REQUIREMENTS IN WALLS AND CEILING SPACES.

ELECTRICAL KEYNOTES

- 54 PROVIDE TWO-GANG DEEP BOX (2" MIN.) FOR FS PULL STATION. EXTEND 1/2" CONDUIT FROM BOX, STUBBED ABOVE CEILING.
- 59 PROVIDE DUPLEX RECEPTACLE (SEE ELEVATIONS FOR MTG HT) IN AN ARLINGTON #DVF2W DOUBLE-GANG RECESSED BOX FOR THE FLY SYSTEM ITEMS. DO NOT CUT THE CORDSET FURNISHED WITH THE UNIT, BUT COIL THE CORD ON THE BACK OF THE UNIT AND TUCK INTO THE BACKBOX.
- 63 PROVIDE 2 GANG DEEP BOX (2" MIN.) FOR EACH DUCT SMOKE DETECTOR INDICATED ON THE MECHANICAL DRAWINGS FOR INSTALLATION OF DUCT DETECTOR REMOTE ANNUNCIATORS BY MECHANICAL. THE DUCT SMOKE REMOTE ANNUNCIATORS ARE PROVIDED TO THE ELECTRICIAN WITH THE SUNCOAST ELECTRONICS PACKAGE OF GEAR AND CONTROLS. EXTEND 1/2" CONDUIT FROM EACH BOX AND STUB ABOVE CEILING.
- 68 CONNECT EVAPORATOR UNIT IN FREEZER TO FREEZER CONDENSING UNIT CONTROLS LOCATED ON ROOF. SEE THE ROOF ELECTRICAL PLAN.
- 69 CONNECT EVAPORATOR UNIT IN COOLER TO COOLER CONDENSING UNIT CONTROLS LOCATED ON ROOF. SEE THE ROOF ELECTRICAL PLAN.
- 71 CONNECT AS REQUIRED TO CJ FAN VIA THE HOOD SUPPLIED SPEED CONTROLLER. CONNECT HOMERUN VIA A RELAY IN THE CFA-T500 CONTROL SECTION.
- 73 SEE THE ROOF ELECTRICAL PLAN FOR THE LOCATION OF THE ICE MAKER CONDENSERS AND ANY ADDITIONAL REQUIREMENTS.
- 74 PROVIDE 3#12 IN 1/2" CONDUIT BETWEEN THE CFA-T500 CONTROL PANEL AND THE FS SYSTEM PANEL(S). SEE FS SYSTEM WIRING DIAGRAM DETAIL ON SHEET E-002 FOR ADDITIONAL INFORMATION.
- 75 PROVIDE GROUND FAULT CIRCUIT INTERRUPTER (GFCI) TYPE RECEPTACLE IN COMPLIANCE WITH THE NEC REQUIREMENT FOR KITCHEN/FOOD PREP AREAS. IF THE RECEPTACLE OUTLET IS NOT NOTED AS GFCI, THEN THE BREAKER IS TO BE GFCI TYPE.
- 77 THE RECESSED PIN AND SLEEVE BOX WITH THE 'SLEEVE' RECEPTACLE FOR THE OPEN FRYERS (ITEMS #522 AND 522A) ARE FURNISHED BY THE EXHAUST HOOD SUPPLIER AND INSTALLED BY THE CONTRACTOR. THE OPEN FRYER SUPPLIER PROVIDES PREWIRED CORDSET WITH A PIN DEVICE INTEGRAL WITH THE OPEN FRYER TO PLUG INTO THE SLEEVE RECEPTACLE.

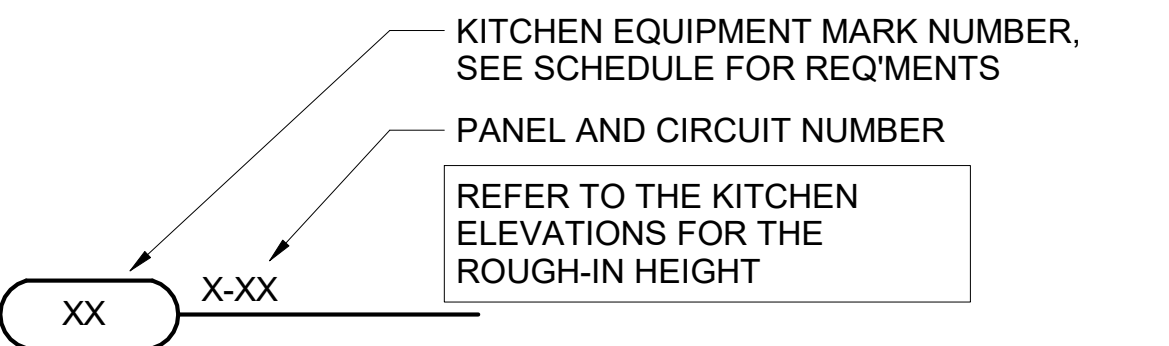
ELECTRICAL KEYNOTES

- 79 SINGLE POLE SWITCH SHALL SERVE AS THE LOCAL "IN-SIGHT" MEANS OF DISCONNECT FOR EQUIPMENT ITEM AS NOTED. SEE DIRECT CONNECTION DETAILS ON SHEET E-002 FOR FURTHER INFORMATION.
- 81 OVERHEAD EQUIPMENT POWER (OEP) DROP CORD RECEPTACLES FROM A FLUSH MOUNTED CEILING OEP BOX (MAXIMUM OF SIX PER ASSEMBLY.) PROVIDE A-C-S OEP ASSEMBLY #12360-1000. ASSEMBLY WILL CONSIST OF A FLUSH CEILING OUTLET BOX, TWIST-LOCK PENDANT RECEPTACLES, STRAIGHT BLADE PENDANT RECEPTACLES, CORDS, STRAIN RELIEF, AND TWIST-LOCK PLUGS AS NOTED ON PLAN. CONTACT BRIDGID DEFRAMESHI EMAIL: BRIDGID1985@GMAIL.COM (800-639-7584) TO PURCHASE OEP BOX AND DROP CORD/RECEPTACLES. PROVIDE LIQUID-TIGHT CONDUIT WITH CONDUCTORS FOR DIRECT CONNECTED EQUIPMENT. CONDUIT SHALL NOT TOUCH THE FLOOR WHEN EQUIPMENT IS IN PLACE. USE SUPPORT GRIPS W/ SUPPORT HOOK ATTACHED TO SHELVING ABOVE AS NEEDED. PASS & SEYMOUR MODEL #FS075-U-GH5 OR EQUIVALENT.
- 82 PROVIDE A DOUBLE-GANG BOX FLUSH MOUNTED IN THE CEILING WITH A BLANK PLATE WITH HOLE FOR A DROP CORD. PROVIDE THE #12 DROP CORD (WITH STRAIN RELIEF AT THE BOX AND AT THE OUTLET BACKBOX) AND CONNECT THE CORD TO AN OUTLET BOX CONTAINING TWO 15 AMP IG (ORANGE) DUPLEX OUTLETS. OUTLET BOX TO BE MOUNTED TO THE OVERHEAD SHELVING AT THE PRINTER AND MONITOR MOUNTING BRACKET.
- 83 COORDINATE WITH THE EQUIPMENT SUPPLIER FOR THE CHASE LOCATIONS. ROUTE ONE SET OF CIRCUIT 'A' THRU 'H' AND POS CIRCUIT TO EACH JUNCTION BOX PROVIDED ABOVE CEILING. CONNECT TO PREWIRED LABELED CIRCUITS. ENSURE CIRCUITS ARE LABELED CORRECTLY FOR EACH PREWIRED OUTLET IN EACH CHASE.
- 86 PROVIDE SINGLE-GANG JUNCTION BOX WITH A 1" CONDUIT EXTENDING UP INTO THE CEILING SPACE FOR POS MONITOR(S). COVER PLATE PROVIDED BY OWNER'S POS SYSTEM VENDOR.
- 91 PROVIDE A SINGLE GANG BOX FLUSH MOUNTED IN THE CEILING FOR THE POS DATA PLATE (BY OTHERS) FOR THE SALAD PREP AREA POS MONITOR AND PRINTER.
- 92 3/4" FLEX PROVIDED FOR DATA CABLES IN CHASE.
- 93 PROVIDE ORANGE ISOLATED GROUND (IG) DUPLEX RECEPTACLE.
- 95 USE TYPE MC CABLE FOR THE ISOLATED GROUND CIRCUIT: #12 HOT, NEUTRAL, GREEN GROUND, STRIPED ISOLATED GROUND. EACH 15 AMP HOMERUN SHALL BE DEDICATED TO A CIRCUIT BREAKER VIA DEDICATED CONDUCTORS WITHIN A CABLE ASSEMBLY. ALL MC CABLES SHALL BE RUN OVERHEAD ABOVE THE CEILING AND RACKED TOGETHER ON J-HOOKS. NO SPLICES IN ANY HOMERUN CABLES FROM FIRST RECEPTACLE TO BREAKER.
- 100 PROVIDE TWO GANG WEATHERPROOF JUNCTION BOX AND STAINLESS STEEL PLATE WITH 7/8" HOLE IN CENTER FOR PANIC BUTTON. LOCATE AT 48" AFF AND EXTEND 1/2" CONDUIT UP TO ABOVE ACCESSIBLE CEILING WITH CONDUIT SEAL FITTING. SEAL CONDUIT PENETRATION AT WIC/WIF CEILING.
- 101 PROVIDE SINGLE GANG BOX WITHOUT COVER PLATE. EXTEND 1/2" CONDUIT UP IN WALL TO ABOVE ACCESSIBLE CEILING.
- 134 PROVIDE A JUNCTION BOX WITH A 1" CONDUIT FOR DATA AND/OR SYSTEMS STUBBED UP INTO CEILING SPACE FOR APPROVED OPERATOR OPTIONAL EQUIPMENT.

NOTE FOR GF TYPE RECEPTACLES IN KITCHEN/FOOD PREP AREAS:
 THE CONTRACTOR SHALL PROVIDE GROUND FAULT CIRCUIT INTERRUPTER PROTECTION FOR PERSONNEL FOR ALL 125V - 250V RECEPTACLES SUPPLIED BY 120V SINGLE-PHASE BRANCH CIRCUITS 50 AMPS OR LESS, 208V SINGLE-PHASE BRANCH CIRCUITS 50 AMPS OR LESS, AND 208V THREE-PHASE BRANCH CIRCUITS 100 AMPS OR LESS. SEE FLOOR PLANS FOR ADDITIONAL INFORMATION.

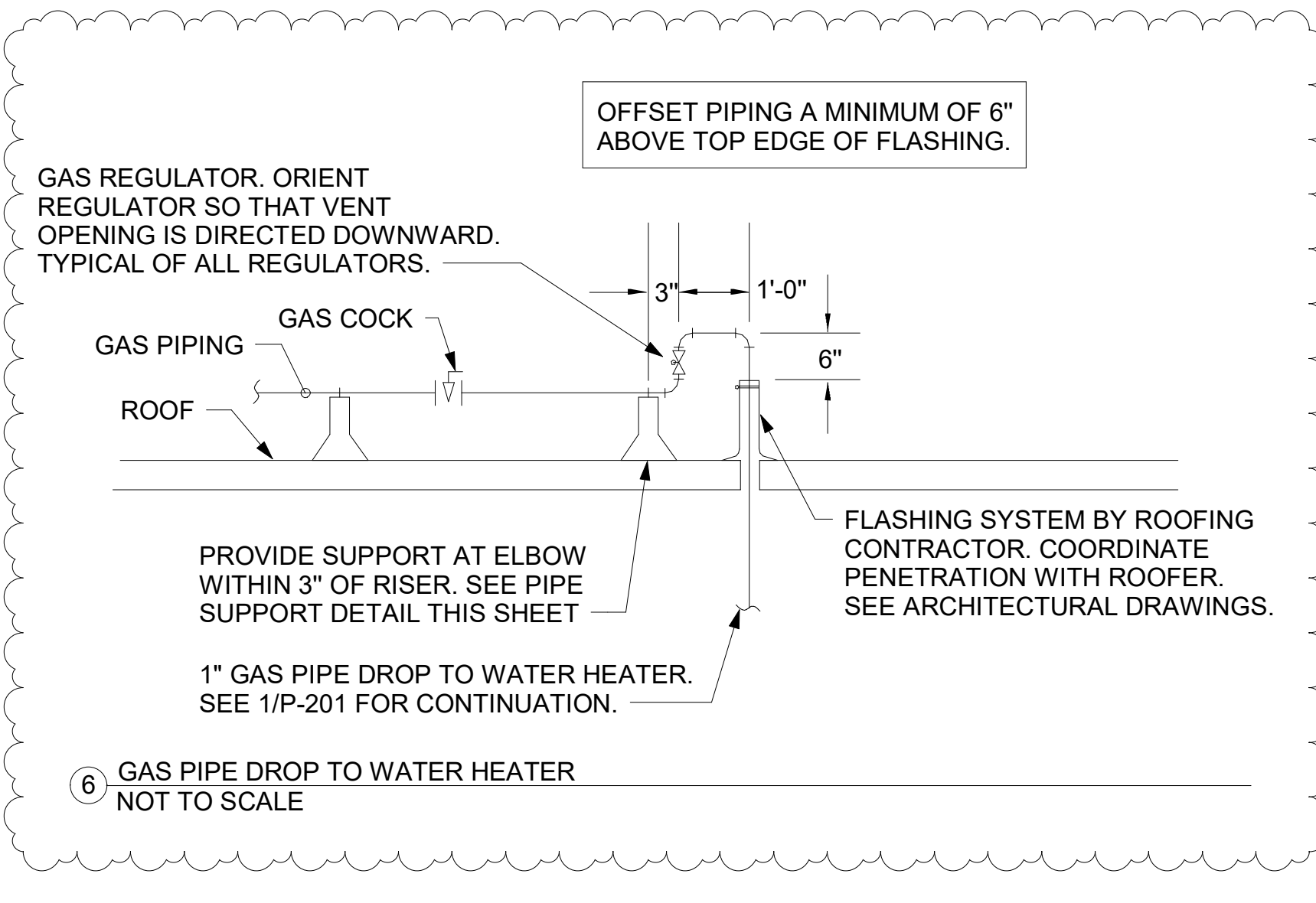
NOTE FOR POS GF IN KITCHEN:
 THE CONTRACTOR SHALL PROVIDE GROUND FAULT PROTECTION FOR ALL 120VOLT, 15 AND 20 AMP ISOLATED GROUND RECEPTACLE OUTLET BRANCH CIRCUITS IN THE KITCHEN/FOOD PREPARATION AREAS. GROUND FAULT PROTECTION SHALL BE PROVIDED AT THE BREAKER VIA A GROUND FAULT TYPE BRANCH BREAKER. (GFCI TYPE ISOLATED GROUND RECEPTACLES ARE NOT AVAILABLE.)

NOTE:
 RECEPTACLES FOR THE POS EQUIPMENT SHALL BE THE ONLY ITEMS THAT CONNECT TO PANEL-POS. THERE SHALL BE NO OTHER LOADS CONNECTED TO THIS ISOLATED GROUND PANEL AND, IF SO, SHALL BE REMOVED AND RECONNECTED TO ANOTHER PANELBOARD AT THE EXPENSE OF THE CONTRACTOR.

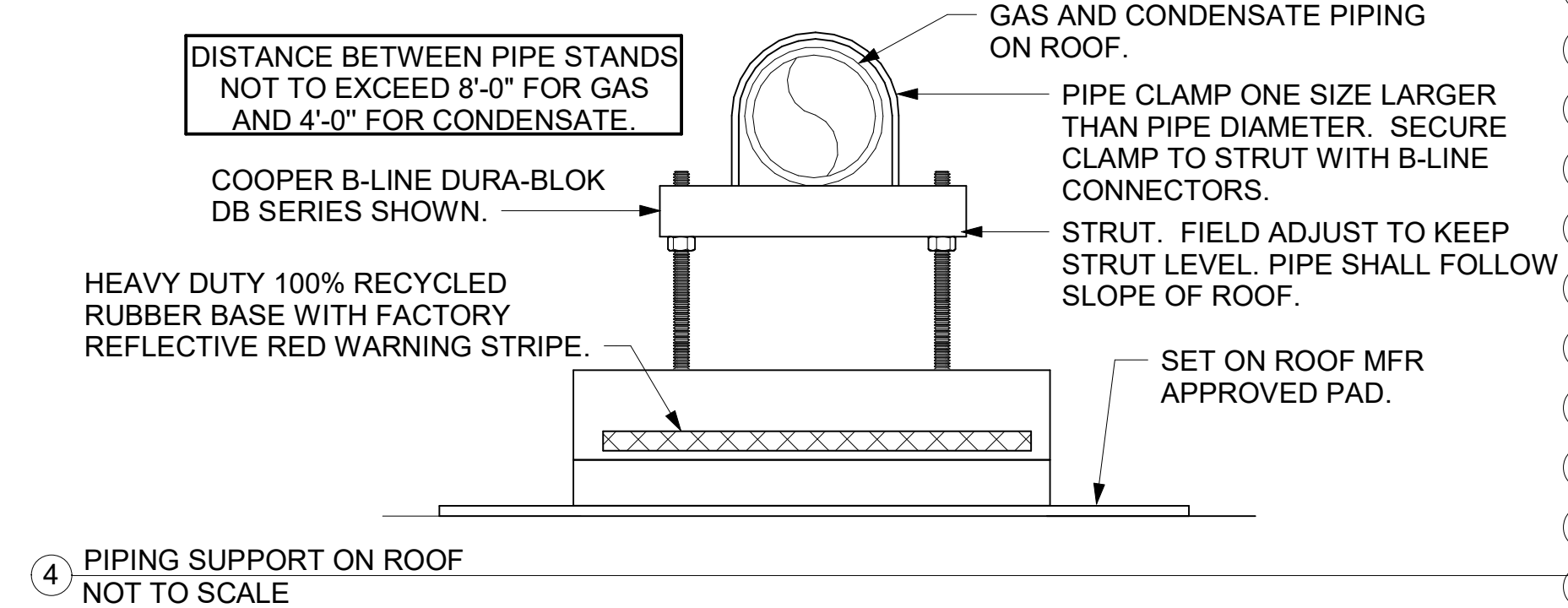


A1 KITCHEN EQUIP NOMENCLATURE
 NO SCALE

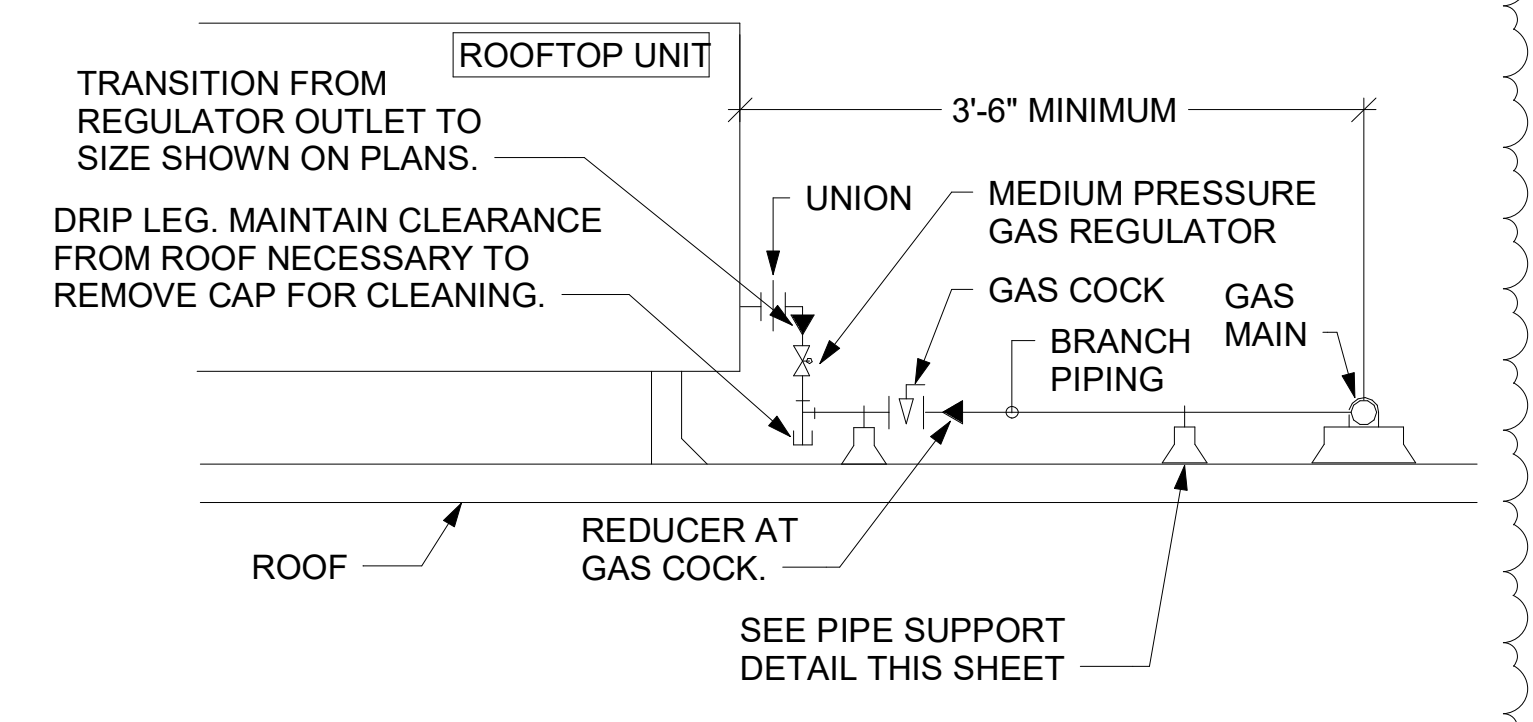
3/24/2023 9:39:49 AM Autodesk Docs://IN_04978_WestCarmel (IN)FSU_2022_7_FSR04978_WestCarmel (IN)FSU_ELE.rvt
 50-LS-04978-E-301-ENLARGED KITCHEN POWER PLAN



- NOTES:**
1. NON ADJUSTABLE MODEL DB610 PIPE STAND TO BE USED FOR NON-ELEVATED PIPING INSTALLED FLAT ON ROOF DECK.
 2. PROVIDE MODEL DBE 10-8 OR DBE 10-12 OR DBE 10-16 AS NEEDED FOR ELEVATING CONDENSATE PIPING TO MAINTAIN PROPER SLOPE AND FOR GAS PIPING CROSSING OVER CONDENSATE PIPING.
 3. ENSURE GAS AND CONDENSATE PIPING DO NOT OBSTRUCT ROOFTOP EQUIPMENT ACCESS OPENINGS. RE-PIPING OF SYSTEMS DUE TO CONFLICTS WITH EQUIPMENT ACCESS OPENINGS SHALL BE DONE AT PLUMBING CONTRACTOR'S EXPENSE.



- NOTES:**
1. INSTALL GAS PIPING SUCH THAT HVAC EQUIPMENT ACCESS PANELS AND/OR DOORS ARE IN NO WAY OBSTRUCTED BY PIPING, VALVES, OR SUPPORTS.
 2. TO AVOID CONFLICT WITH AC UNIT ACCESS DORRS, INSTALL GAS PIPING NO CLOSER THAN 3'-6" FROM AC UNIT. (EXCEPT FOR BRANCH LINE CONNECTED TO AC UNIT.)
 3. ROUTE BRANCH TAKE-OFF DIRECTLY FROM MAIN TO ROOFTOP UNIT AS SHOWN ON PLAN AND DETAILS WITHOUT LATERAL OFFSETS WHICH MAY OBSTRUCT UNIT ACCESS DOORS.

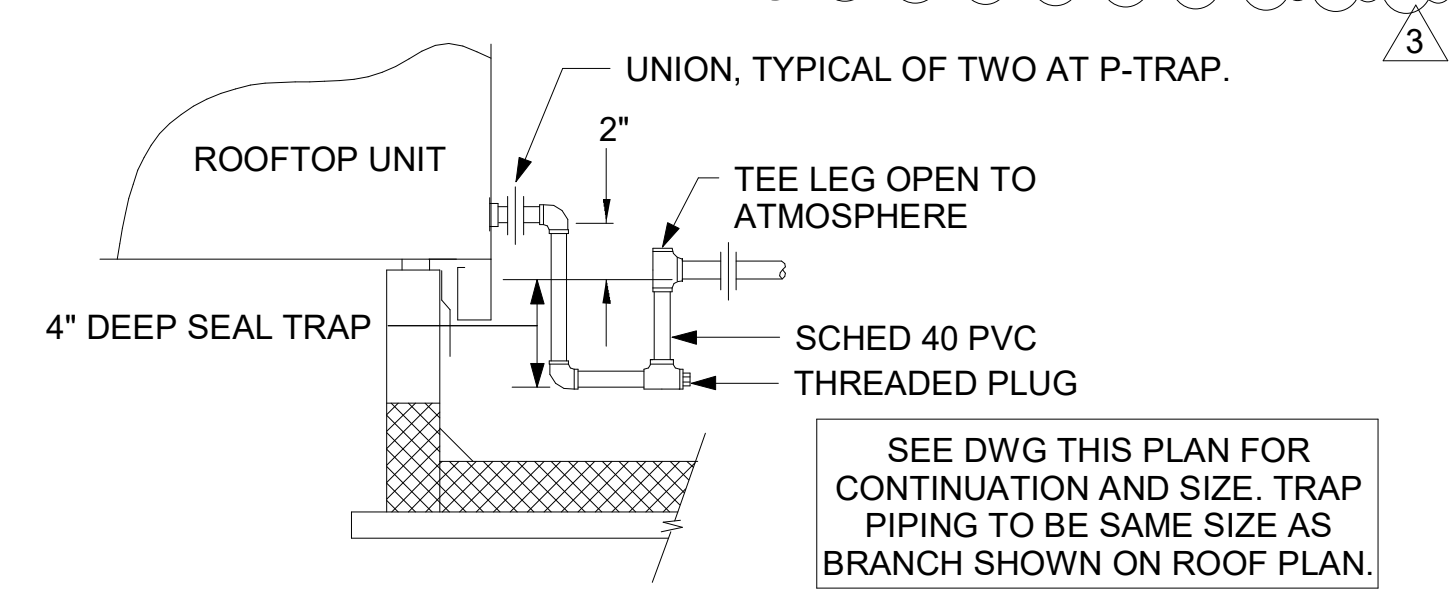


5. GAS CONNECTION SCHEDULE

EQUIPMENT	GAS LOAD
AC#1	250,000 BTUS
AC#2	320,000 BTUS
AC#3	320,000 BTUS
AC#4	130,000 BTUS
GIH (2 @ 50,000 BTU EA.)	100,000 BTUS
WATER HEATER	125,000 BTUS
TOTAL CONNECTED LOAD	1,245,000 BTUS

REMARKS:

- 1) EQUIVALENT TO 1,245.0 CFH
- 2) 2 PSIG DELIVERY PRESSURE
- 3) DEVELOPED LENGTH: 175 FT (METER TO AC#3)
- 4) PROVIDE REGULATOR AT EACH PIECE OF EQUIPMENT PER MANUFACTURER RECOMMENDATIONS.

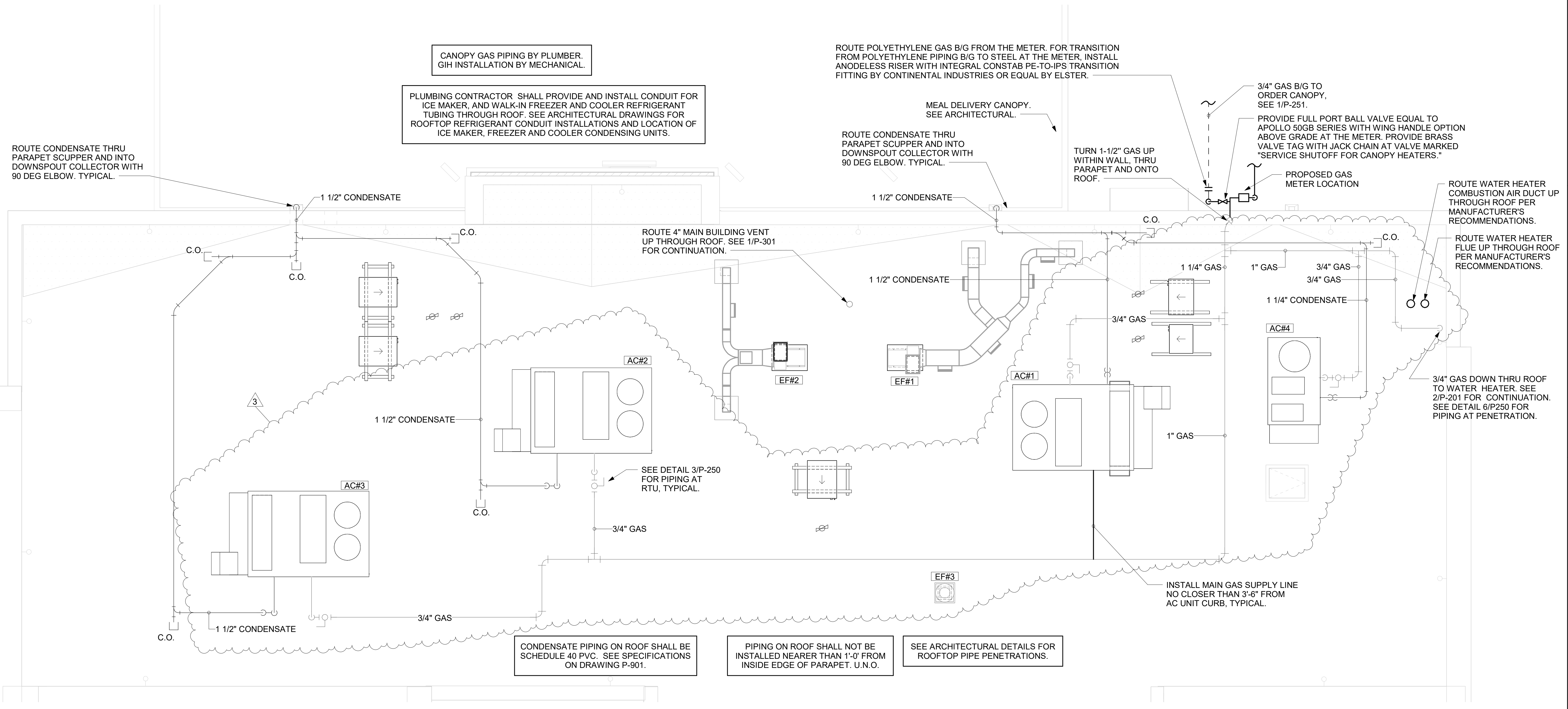


CANOPY GENERAL NOTES

1. COORDINATE NEW WORK WITH EXISTING CONDUIT, STRUCTURE, AND PIPING. FIELD VERIFY EXISTING CONDITIONS PRIOR TO START OF WORK.
2. COORDINATE LOCATION AND RESPONSIBILITIES FOR UNDERGROUND PIPING AND ASSOCIATED TRENCHING WITH GENERAL CONTRACTOR PRIOR TO START OF WORK.
3. EXPOSED GAS PIPING SHALL BE PAINTED BY GENERAL CONTRACTOR.
4. ACTUAL NUMBER OF GAS INFRARED HEATERS WILL BE DETERMINED BY SITE-SPECIFIC CANOPY LAYOUT AND EQUIPMENT LOCATIONS, AS INDICATED ON ARCHITECTURAL PLANS.

LEGEND

GIH#1	GAS INFRARED HEATER #1 (TYP.)	B/G	BELOW GRADE
---	NEW GAS PIPING ABOVE GRADE	EC	ELECTRICAL CONTRACTOR
---	NEW GAS PIPING BELOW GRADE	MC	MECHANICAL CONTRACTOR



Chick-fil-A
 5200 Buffington Road
 Atlanta, Georgia
 30349-2998

Kurzynske & Associates
 2705 Lebanon Pike - Suite One
 Nashville, Tennessee 37214
 Telephone: (615) 255-5203



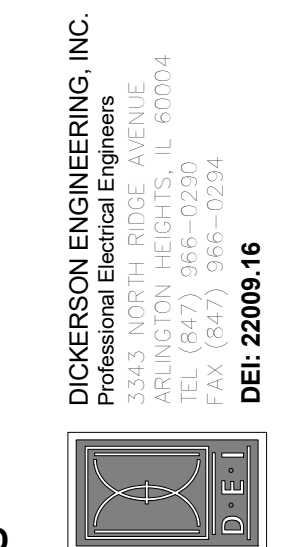
CHICK-FIL-A
 West Carmel FSU
 9965 N MICHIGAN ROAD
 CARMEL, IN 46032

FSR#04978
 BUILDING TYPE / SIZE: P14 LS LRG
 RELEASE: 22.08
 CONSTRUCTION
 REVISION SCHEDULE
 NO. DATE DESCRIPTION
 3 03/13/2023 ISSUED FOR CONSTRUCTION

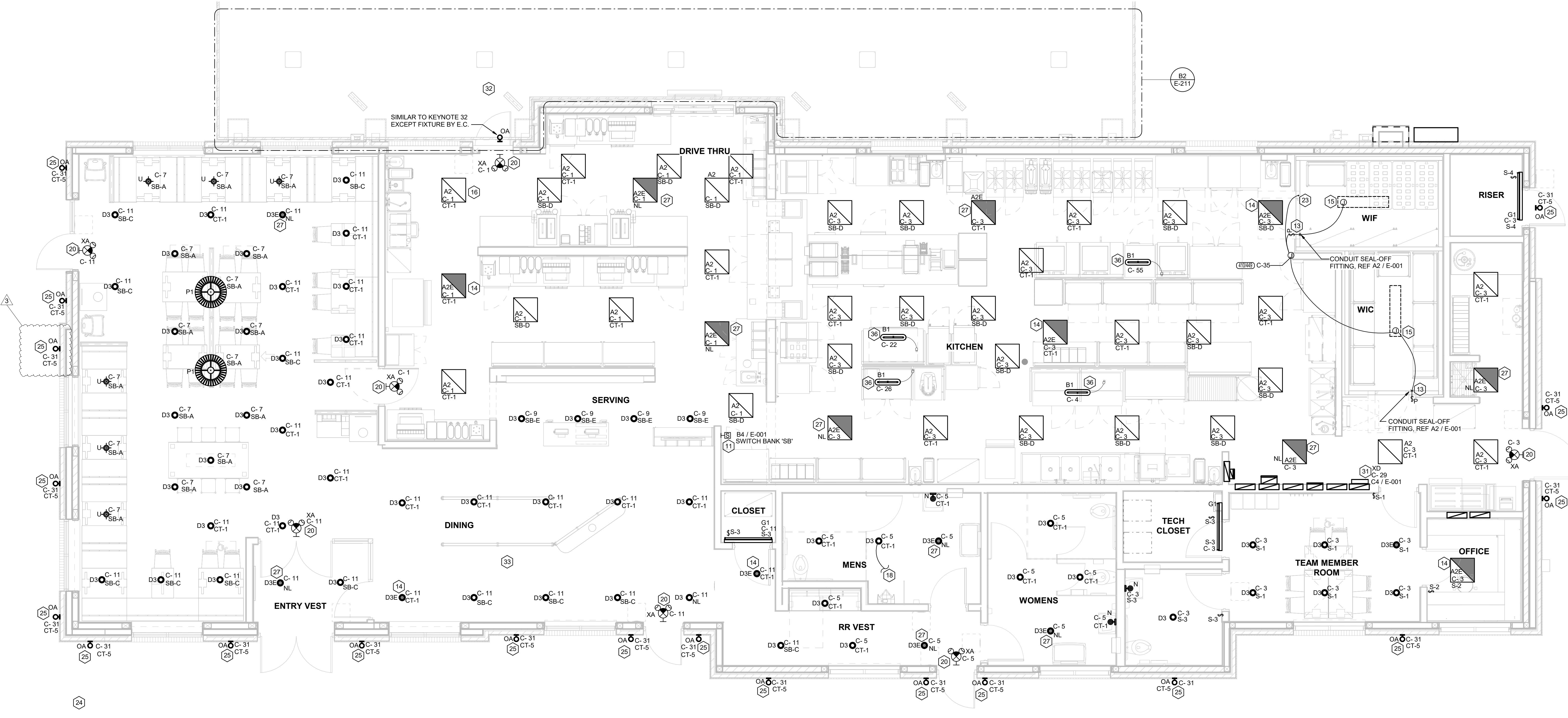
For Construction -
 CONSULTANT PROJECT # 22169.CD.S
 DATE 03/24/23
 DRAWN BY CAC
 INFORMATION CONTAINED ON THIS DRAWING IS THE PROPERTY OF THE CONSULTANT AND IS NOT TO BE REPRODUCED OR TRANSMITTED IN ANY FORM OR BY ANY MEANS, ELECTRONIC OR MECHANICAL, WITHOUT THE WRITTEN PERMISSION OF THE CONSULTANT.
 SHEET **ROOF PLAN AND DETAILS**
 SHEET NUMBER **P-250**



Chick-fil-A
Chick-fil-A
 5200 Buffington Road
 Atlanta, Georgia
 30349-2998



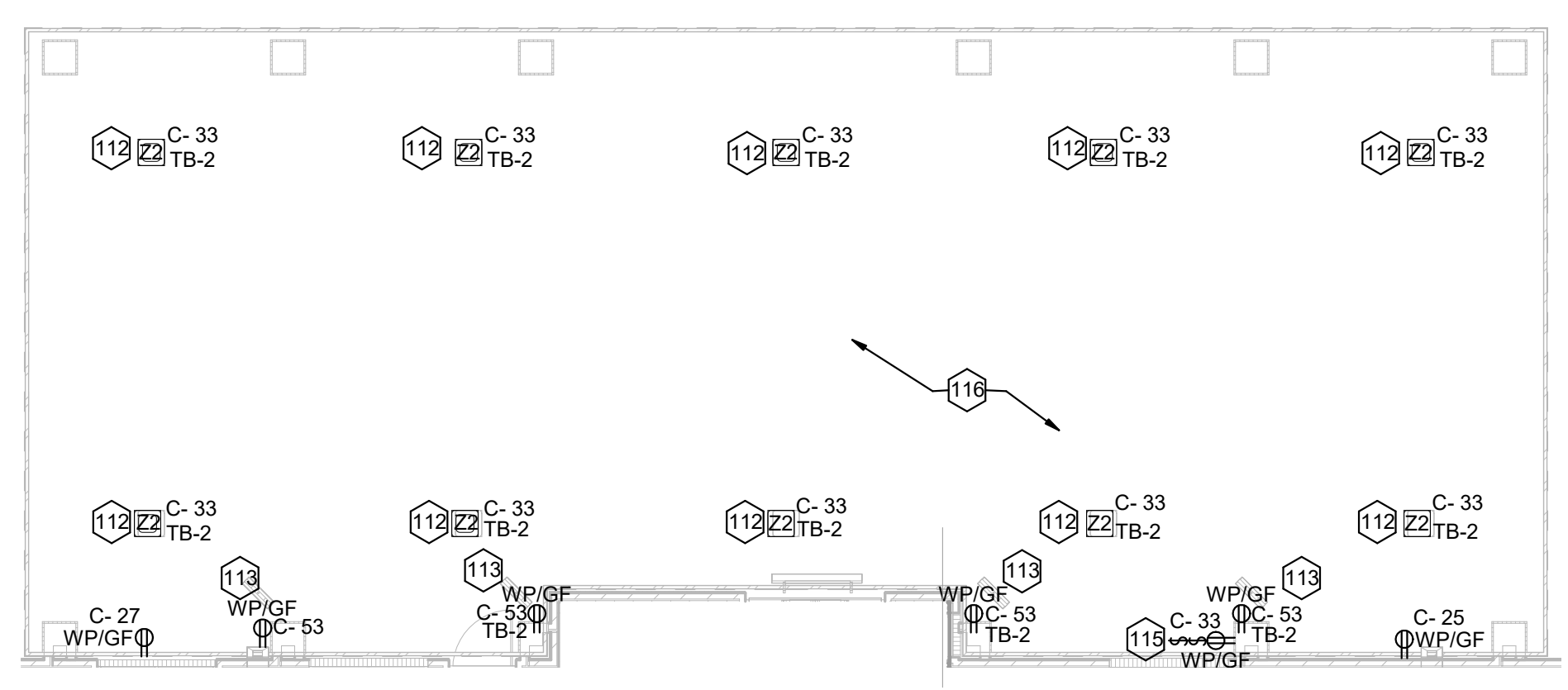
DICKERSON ENGINEERING, INC.
 Professional Electrical Engineers
 1345 W. NORTH BRIDGE AVENUE
 SUITE 200
 FAYETTEVILLE, GA 30215
 TEL: (404) 798-0020
 FAX: (404) 798-0024
 DEI: 22008-16



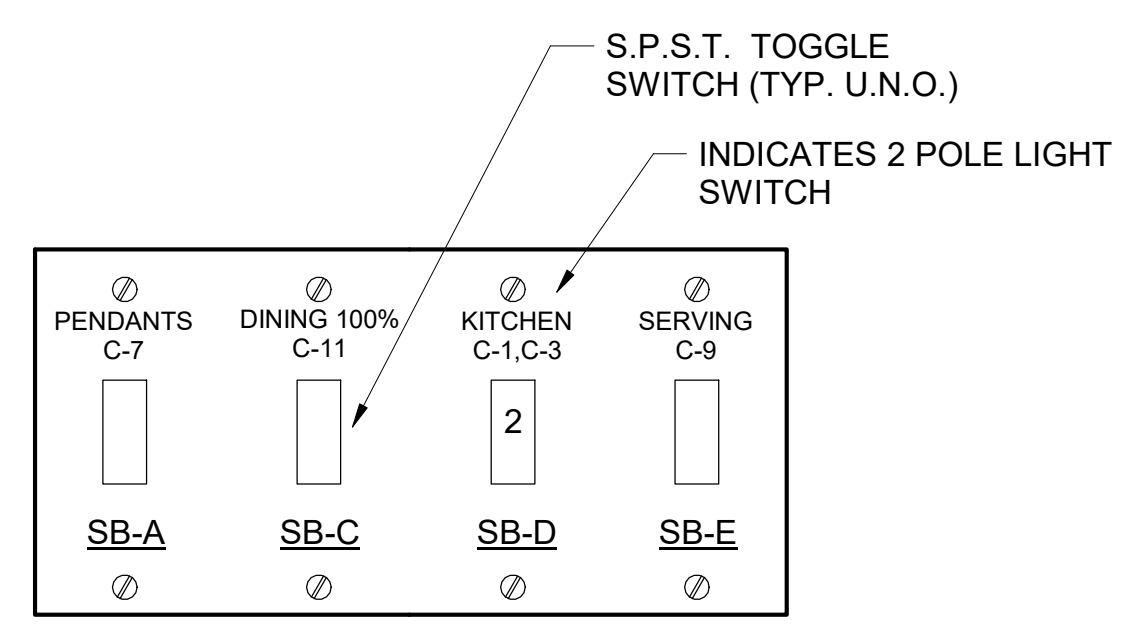
C1 LIGHTING PLAN
 1/4" = 1'-0"

- ELECTRICAL KEYNOTES**
- APPROXIMATE LOCATION OF SWITCH BANK 'SB'. SEE DETAIL ON THE LIGHTING PLAN FOR MORE INFORMATION.
 - FOR CONTROL OF LIGHTING FIXTURE IN WALK-IN COOLER AND FREEZER, SWITCH FURNISHED WITH EQUIPMENT, INSTALLED BY ELECTRICAL CONTRACTOR.
 - CONNECT FIXTURE SO THAT BATTERY PACK IS NOT SWITCHED WITH LIGHTS, BUT ALL LAMPS ARE SWITCHED.
 - FOR CONNECTION TO LIGHTING FIXTURE IN THE WALK-IN COOLER AND FREEZER WHICH IS FURNISHED WITH EQUIPMENT, CONTRACTOR SHALL ROUGH-IN AND CONNECT ALL FIXTURES AS REQUIRED BY THE EQUIPMENT MANUFACTURER.
 - THE LIGHT FIXTURES IN THE MEAL FULFILLMENT AREA ARE PROVIDED WITH LAMP SHIELDING VIA A LENS.
 - TO THE TOILET EXHAUST FAN ON ROOF. SEE SHEET E-250, ROOF ELECTRICAL PLAN.
 - THIS FIXTURE SHALL NOT BE SWITCHED. CONNECT TO CIRCUIT AHEAD OF ALL SWITCHING AND CONTROLS.
 - TO WALK-IN FREEZER DOOR FRAME HEATER AND AIR RELIEF ASSEMBLY (PRESSURE REDUCTION VALVE - PRV), THRU SEAL-OFF FITTING. VERIFY ROUGH-IN AND FINAL CONNECTION WITH EQUIPMENT.
 - SEE THE SITE ELECTRICAL PLAN FOR LOCATION OF TYPE 'OC' GROUND MOUNTED FLAG POLE LIGHT. FIXTURE TO BE CONNECTED TO CIRCUIT C-29 THRU THE CFA-T500 CONTROL PANEL. CONTRACTOR #9 (AHEAD OF THE INVERTER, NOT THRU THE INVERTER).
 - ROUTE THROUGH CONTROL PANEL CFA-T500 AND CONTROLLED BY OCCUPIED SWITCH AND PHOTOCELL.
 - CONNECT LIGHTING FIXTURE SO THAT LAMP BALLAST OR DRIVER AND EMERGENCY BATTERY PACK ARE NOT SWITCHED. 'NL' ADJACENT TO FIXTURE INDICATES THAT FIXTURE SHALL BE ON 24 HOURS.
 - TYPE 'XD' INVERTER CABINET TO BE WALL MOUNTED AT THE CEILING AND CONNECTED TO CIRCUIT C-29 THRU THE CFA-T500'S CONTACTOR #9 (DUSK TO DAWN CONTROL). CONNECT WITH BOTH A CONTROLLED (VIA THE CONTACTOR FOR LIGHTS ON AT DUSK AND OFF AT DAWN) LEG AND AN UNSWITCHED LEG FOR THE BATTERY IN THE INVERTER. WHEN POWER IS INTERRUPTED ON THE UNSWITCHED LEG, THEN THE INVERTER'S BATTERY WILL ENERGIZE THE LIGHTS CONNECTED TO THE INVERTER NO MATTER THE TIME OF DAY. PROVIDE CONNECTIONS IN ACCORDANCE WITH THE MANUFACTURER'S RECOMMENDATIONS.
 - CANOPY LIGHTS PROVIDED BY THE CANOPY SUPPLIER INTEGRAL WITH THE CANOPY. ELECTRICAL CONTRACTOR SHALL PROVIDE ROUGH-IN CONDUIT CHASE AT CL OF AWNING AND AT 10'-0" AFF (VERIFY) AND CONNECT THE 120V CIRCUIT TO THE 'XD' INVERTER UNIT. COORDINATE LOCATIONS OF LIGHTS AND ROUGH-IN REQUIREMENTS WITH THE CANOPY SUPPLIER. LIGHTS WILL COME ON AT DUSK, TURN OFF AT DAWN, AND BE ENERGIZED WHENEVER THERE IS A POWER OUTAGE.
 - REFER TO ARCHITECTURAL REFLECTED CEILING PLAN FOR LOCATIONS OF PENDANTS, DOWNLIGHTS, ACCENTS LIGHTS, AND OTHER CEILING MOUNTED LIGHT FIXTURES.
 - PROVIDE A TYPE B1 SHELF MOUNTED TASK LIGHT FIXTURE. MOUNT LIGHT TO THE UNDERSIDE OF THE WIRE SHELVING. PROVIDE A CORD FROM THE FIXTURE(S) TO A SWITCH IN AN FS BOX MOUNTED TO THE SHELF. FROM FS BOX PROVIDE AN SO CORD WITH PLUG AND CONNECT TO THE GEN RECEPTACLE (WALL OR DROP CORD). SEE ENLARGED POWER PLAN FOR FURTHER INFORMATION.
 - CEILING LIGHT FIXTURE PROVIDED BY THE CANOPY SUPPLIER AND INSTALLED BY ELECTRICAL CONTRACTOR.
 - AIR CIRCULATING FAN (WITH INTEGRAL ON-OFF SWITCH) PROVIDED AND INSTALLED BY MECHANICAL CONTRACTOR. PROVIDE A DUPLEX RECEPTACLE OUTLET (WITH IN-USE WP COVER PLATE) AT THE TOP OF THE COLUMN FLUSH MOUNTED IN THE CUT-OUT FOR THE FAN'S PLUG AND CORD CONNECTION.

- ELECTRICAL KEYNOTES**
- PROVIDE ONE DUPLEX GFCI (WITH IN-USE WP COVER PLATE) AND TWO 120V SINGLE-POLE SWITCHES (EACH WITH HUBBELL #RW51550 WP COVER PLATE) AND ONE DUPLEX SINGLE-POLE SWITCH (WITH HUBBELL #RW51470 WP COVER PLATE) MOUNTED IN THE COLUMN IN FLUSH MOUNTED METAL SINGLE-GANG BOXES FOR LOCAL ON-OFF CONTROL OF THE FANS, HEATERS, AND CANOPY LIGHTS. SEE WIRING SCHEMATIC FOR FURTHER INFORMATION. ALL SURFACE (OR VISIBLE) ITEMS AND COVERPLATES TO BE FIELD PAINTED MATTE BLACK.
 - ALL CONDUIT AND BOXES SHALL BE CONCEALED FROM NORMAL VIEW; IN WALLS OR ABOVE THE CANOPY (ON THE ROOF); MC CABLE (GALVANIZED STEEL WITH PVC JACKET) MAY BE USED INSIDE THE WALL FOR THE DEVICES, BUT MUST CONVERT TO IMC ABOVE THE CANOPY ROOF. (PROVIDE A NEMA 3R JUNCTION BOX ON THE ROOF SIDE OF THE CANOPY TO TRANSITION FROM MC CABLES IN WALL TO IMC CONDUIT ON THE ROOF.) ALL EXPOSED BOXES AND FITTINGS TO BE CAST-METAL NEMA 3R. REFER TO THE MECHANICAL SHEETS FOR CONDUIT MOUNTING DETAILS ON THE ROOF.



B2 CANOPY PLAN
 1/8" = 1'-0"



B1 SWITCH BANK "SB" DETAIL
 NO SCALE

NOTE: LOCATE JUNCTION BOXES IN CEILING SPACE ABOVE THE LOCATION OF THE SWITCHBANK FOR SPLICING OF LINE, LOAD, AND SWITCHED CONDUCTORS. PROVIDE GANGED BACKBOX FOR SWITCHES AS REQUIRED AND LABEL ALL CONDUCTORS SO AS TO INDICATE THEIR USE (LINE, LOAD, SWITCH), THE LOAD SERVED, AND THE CIRCUIT NUMBER.

LIGHTING FIXTURE (LUMINAIRE) SCHEDULE - CHICK-FIL-A P14 EDITION

NOTE: NOT ALL FIXTURE TYPES ARE USED IN ALL OF THE P13 BUILDINGS. CONFIRM WITH THE LIGHTING VENDOR FOR ANY UPDATES TO THE CURRENT LIGHTING MANUFACTURER AND CATALOG NUMBER.

MARK	MANUFACTURER	CATALOG NUMBER	NO. LAMPS/TYPE	WATTS	VOLTS	MOUNTING	REMARKS
A2	COOPER/METALUX	22F4240C	39 VA	120 V	RECESSED	2X2 LED FLAT PANEL	
A2E	COOPER/METALUX	22F4240C	39 VA	120 V	RECESSED	2X2 EMERGENCY LED FLAT PANEL	
B1	COOPER/METALUX	2V13-LD5-4-G-120V-L840-CD1-SSL-U	32 VA	120 V	SURFACE	MOUNT LIGHT TO BTM OF OVERHEAD WIRE SHELVING WITH CORD & PLUG	
D3	COOPER/HALO	P06-20-D0108-PDM6B-830-61VC	21 VA	120 V	INTEGRAL WITH FIXTURE	LED DOWNLIGHT WITH CLEAR REFLECTOR & TRIM RATED 2000 LUMENS, 3000K COLOR TEMP	
D3E	COOPER/HALO	P06-20-D0108-EM-PDM6B-830-61VEMC	44 VA	120 V	RECESSED	SAME AS D3 EXCEPT WITH EMERGENCY BATTERY PACK/INTEGRAL TEST SWITCH	
G1	COOPER/METALUX	4SL1P14049DD-UNV	11 VA	120 V	SURFACE	4760 LUMEN 4 FOOT LENSED LED STRIPLIGHT MTD ABOVE DOOR FRAME OR CEILING	
N	MINKA	4531-267B	11 VA	120 V	WALL	LAVATORY WALL SCONCE-SHADE POINTED DOWN W/ LED LAMP & CL ON LAVATORY	
OA	PROGRESS LIGHTING	P5675-31 WITH P8799 TOP COVER LENS	24 VA	120 V	WALL	6" DIAMETER, 14" HEIGHT, WET LOCATION, UP/DOWN CYLINDER W/ 12 WATT PAR30 3K NFL LED LAMPS	
OC	HUBBELL	FL1-42L-95-4K7-N-U-K-08 (SEE NOTE 4)	97 VA	120 V	PIPE	FLOODLIGHT MTD ON GRADE ON 2" PIPE SUPPORT (BY OTHERS) AND AIMED AT FLAG AFTER DARK	
OD1	COOPER/LUMARK (POLE, KW INDUSTRIES)	LUMINAIRE: PRV-C60D-UNV-T4-SA-BZ POLE: KW INDUSTRIES SSP22-4-0-7-BRZ-DM10-B-C (SINGLE LUMINAIRE)	153 VA	208 V	POLE W/ CONCRETE BASE	SINGLE LUMINAIRE LED POLE HEAD LIGHT ON 22' POLE	
OD2	COOPER/LUMARK (POLE, KW INDUSTRIES)	LUMINAIRE: PRV-C60D-UNV-T4-SA-BZ POLE: KW INDUSTRIES SSP22-4-0-7-BRZ-DM2180-B-C (TWO LUMINAIRES AT 180 DEGREES)	306 VA	208 V	POLE W/ CONCRETE BASE	DOUBLE LUMINAIRE LED POLE HEAD LIGHT ON 22' POLE	
OK	HUBBELL	LNC-SLU-3K-3-1	13 VA	120 V	WALL	LED WALL PACK W/ CENTERLINE OF FIXTURE AT 80° ABV 00° (FINISH FLOOR LINE)	
P1	MEYDA	142776	22 VA	120 V	PENDANT	3 1/2" DIA PEACH BASKET PENDANT WITH 8TM AT 6'-8" AFF ABV TABLE, 8'-0" OTHERWISE	
UJ	BESA LIGHTING	BES00298-060	8 VA	120 V	PENDANT	RED FRIT GLASS, BRONZE CABLE & CANOPY, 6'-8" AFF	
XA	COOPER/SURE-LITES	APCH7R	4 VA	120 V	WALL	EXIT SIGN WITH BATTERY PACK AND TWO INTEGRAL ADJUSTABLE LAMPHEADS	
XD	MULE LIGHTING	SPS-220-250-120/277	250 VA	120 V	WALL	INVERTER UNIT FOR EXTERIOR EGRESS LTG. ON AT DUSK, OFF AT DAWN, ON DURING PWR OUTAGE	
Z2	LSI	CRUS-SC-LED-LW30-UE-WHT	74 VA	120 V	RECESSED	CANOPY LIGHT PROVIDED BY CANOPY SUPPLIER AND INSTALLED BY ELECTRICAL CONTRACTOR	

- NOTES:**
- LUMINAIRES UTILIZING DOUBLE-ENDED LAMPS AND CONTAIN BALLASTS THAT CAN BE SERVICED IN PLACE SHALL HAVE A DISCONNECTING MEANS EITHER INTERNAL OF EXTERNAL TO EACH LUMINAIRE PER NEC 410.130(G).
 - THE LIGHTING FIXTURE PACKAGE IS AVAILABLE THROUGH A NATIONAL CANOPY PROGRAM. REFER TO THE ELECTRICAL SPECIFICATIONS SHEET, SECTION C16000 FOR VENDOR INFORMATION.
 - THE ASTERISK (*) BESIDE THE FIXTURE MARK IN THE ABOVE SCHEDULE INDICATES THE FIXTURE IS A NON-PROTOTYPICAL LIGHT FIXTURE PER THE CFA NATIONAL P13 PROTOTYPE.
 - IF TYPE OC IS GROUND MOUNTED IN LIEU OF ROOF MOUNTED, PROVIDE EITHER THE FL1-VISOR-09 (VISOR) OR THE FL1-LOUVER-BL (LOUVER) FOR GLARE CONTROL.

3/24/2023 9:39:01 AM Autodesk Docs://N_04978_West Carmel (N) FSU_2022_7_FSR04978_West Carmel (N) FSU_ELE.rvt 50-LS-04978-E-211-LIGHTING PLAN

CHICK-FIL-A
WEST CARMEL FSU
 9965 N. MICHIGAN ROAD
 CARMEL, IN 46032

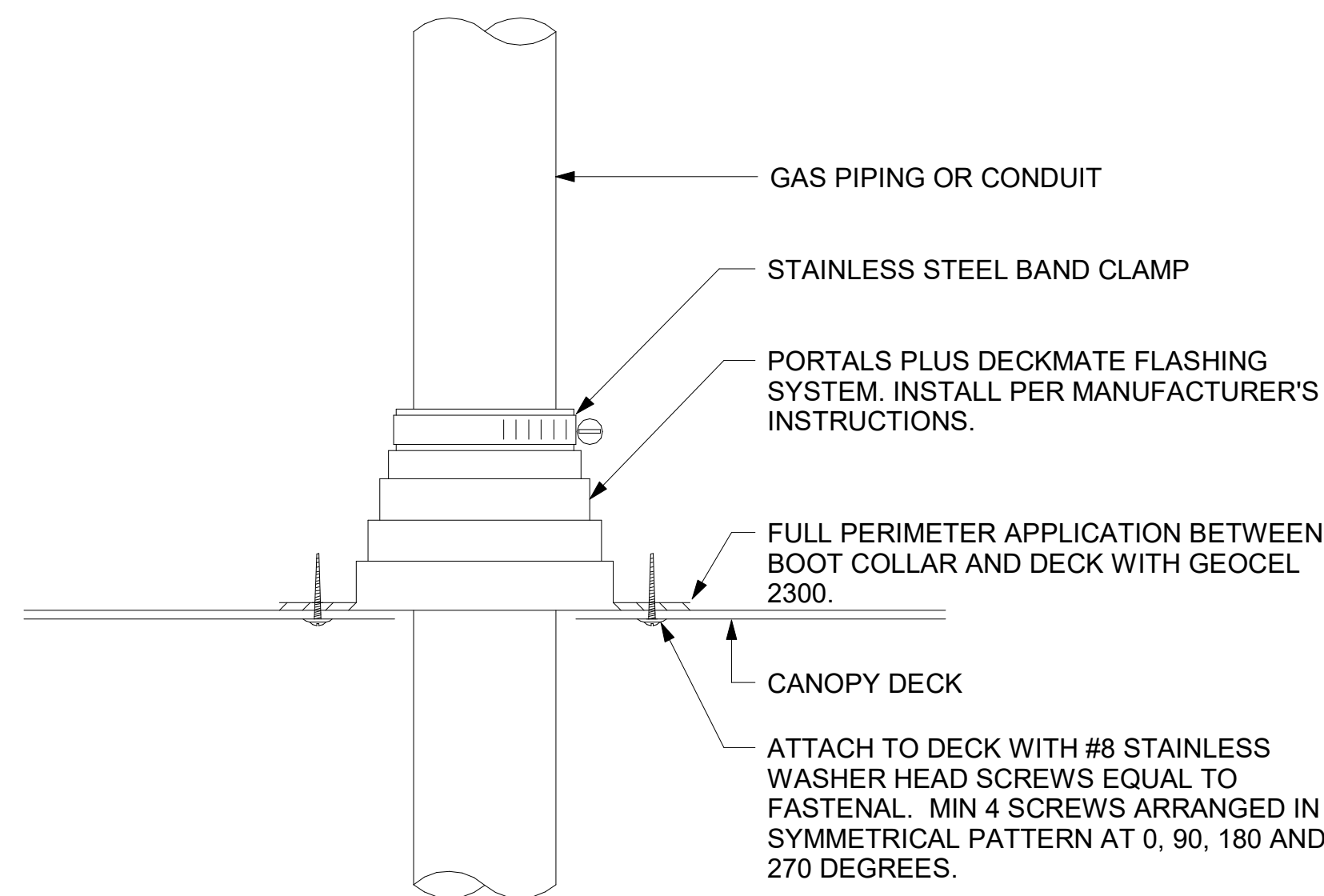
FSR#04978
 BUILDING TYPE / SIZE: P14 LS
 RELEASE: 22-08
 PRINTED FOR:
ISSUED FOR CONSTRUCTION

REVISION SCHEDULE

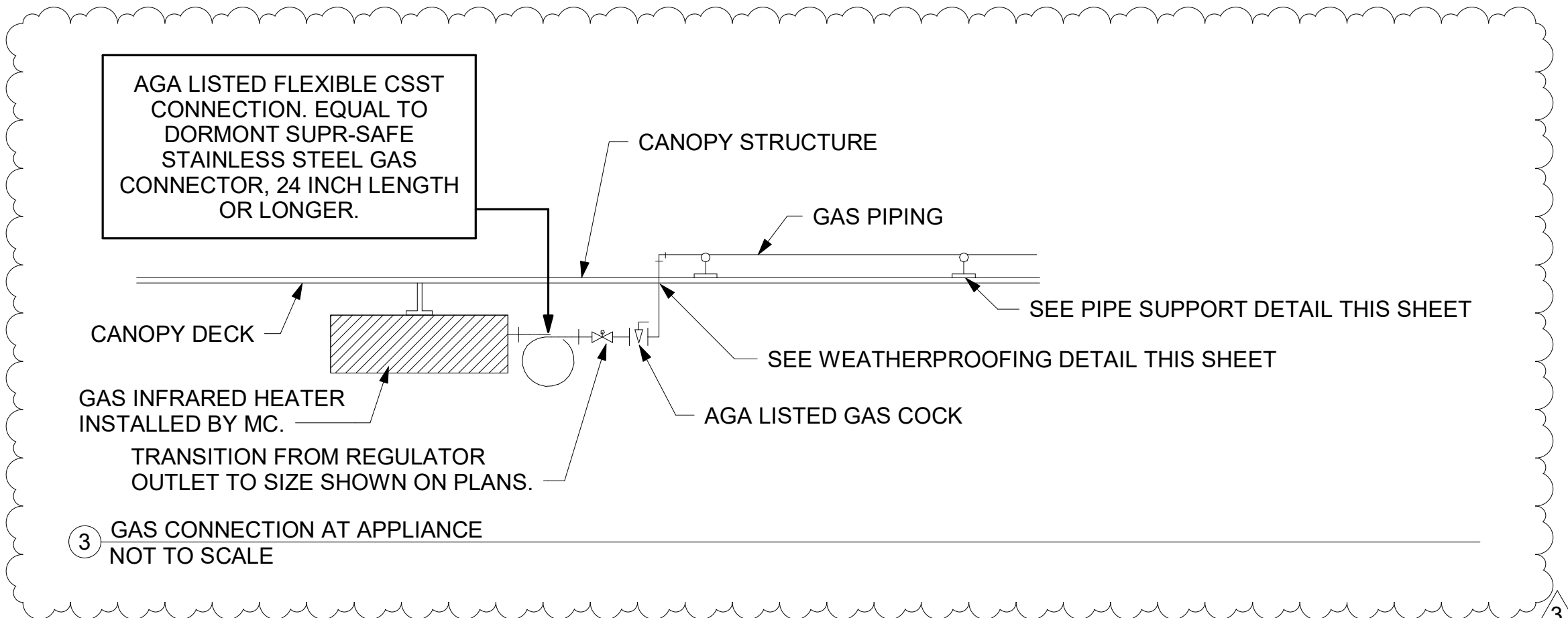
NO.	DATE	DESCRIPTION
3	03/24/23	ISSUED FOR CONSTRUCTION

CONSULTANT PROJECT # 74250
 DATE 03/24/23
 DRAWN BY: Author
 CHECKED BY: Author
 PRODUCED FOR: Author
 INFORMATION CONTAINED ON THIS DRAWING AND IN ALL DIGITAL FILES PRODUCED FOR ABOVE NAMED PROJECT MAY NOT BE REPRODUCED OR TRANSMITTED IN ANY FORM OR BY ANY MEANS, ELECTRONIC OR MECHANICAL, WITHOUT EXPRESS WRITTEN PERMISSION OF THE PROJECT MANAGER.
LIGHTING PLAN

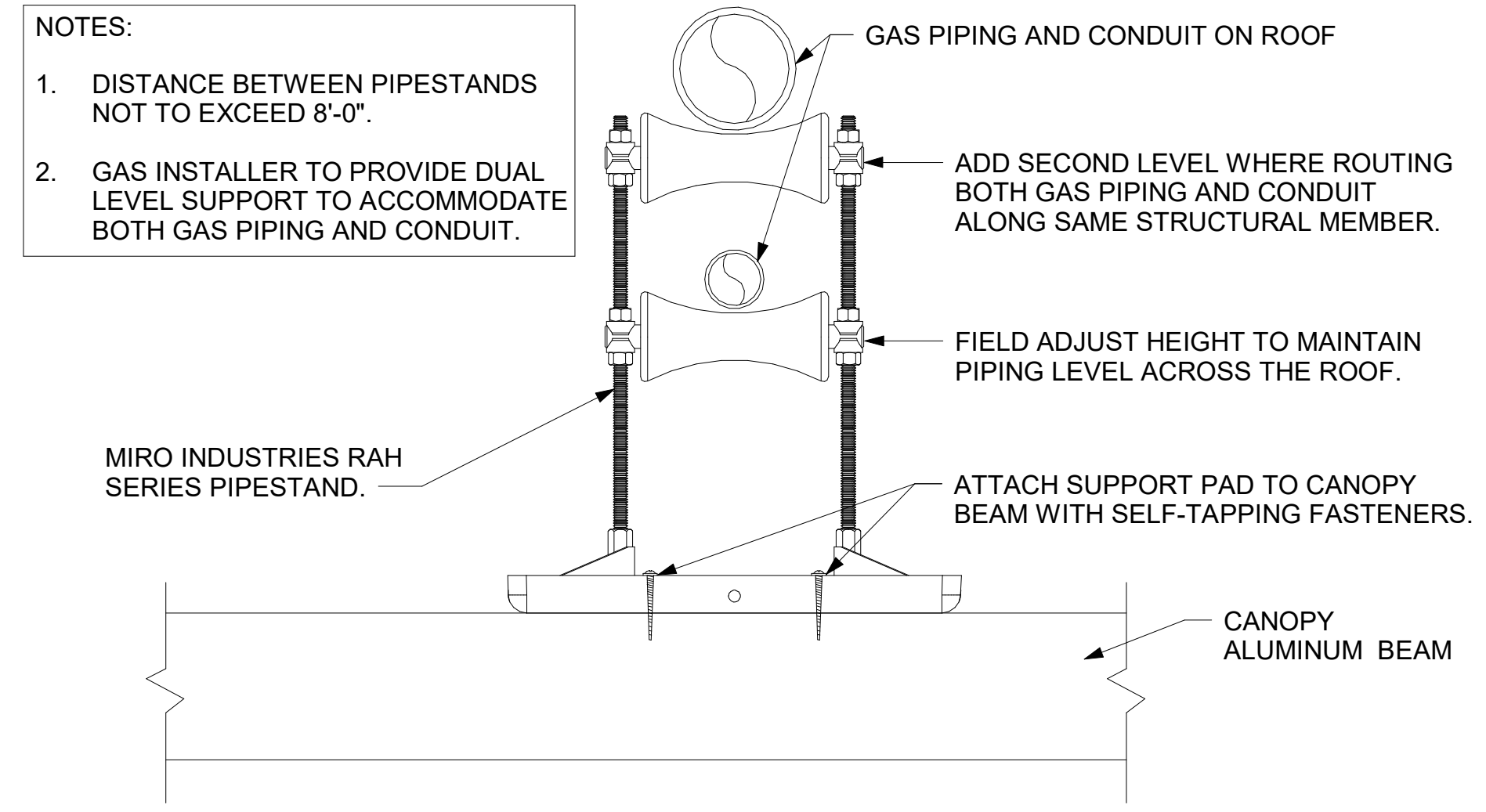
3/22/2023 4:52:38 PM Autodesk Docs://IN_04978_West Carmel (IN) FSU_2022.7_FSR04978_West Carmel (IN) FSU_PLB.rvt 40-LS-04978-P-251-CANOPY PLAN AND DETAILS



2 WEATHERPROOFING AT CANOPY PENETRATION
NOT TO SCALE



3 GAS CONNECTION AT APPLIANCE
NOT TO SCALE

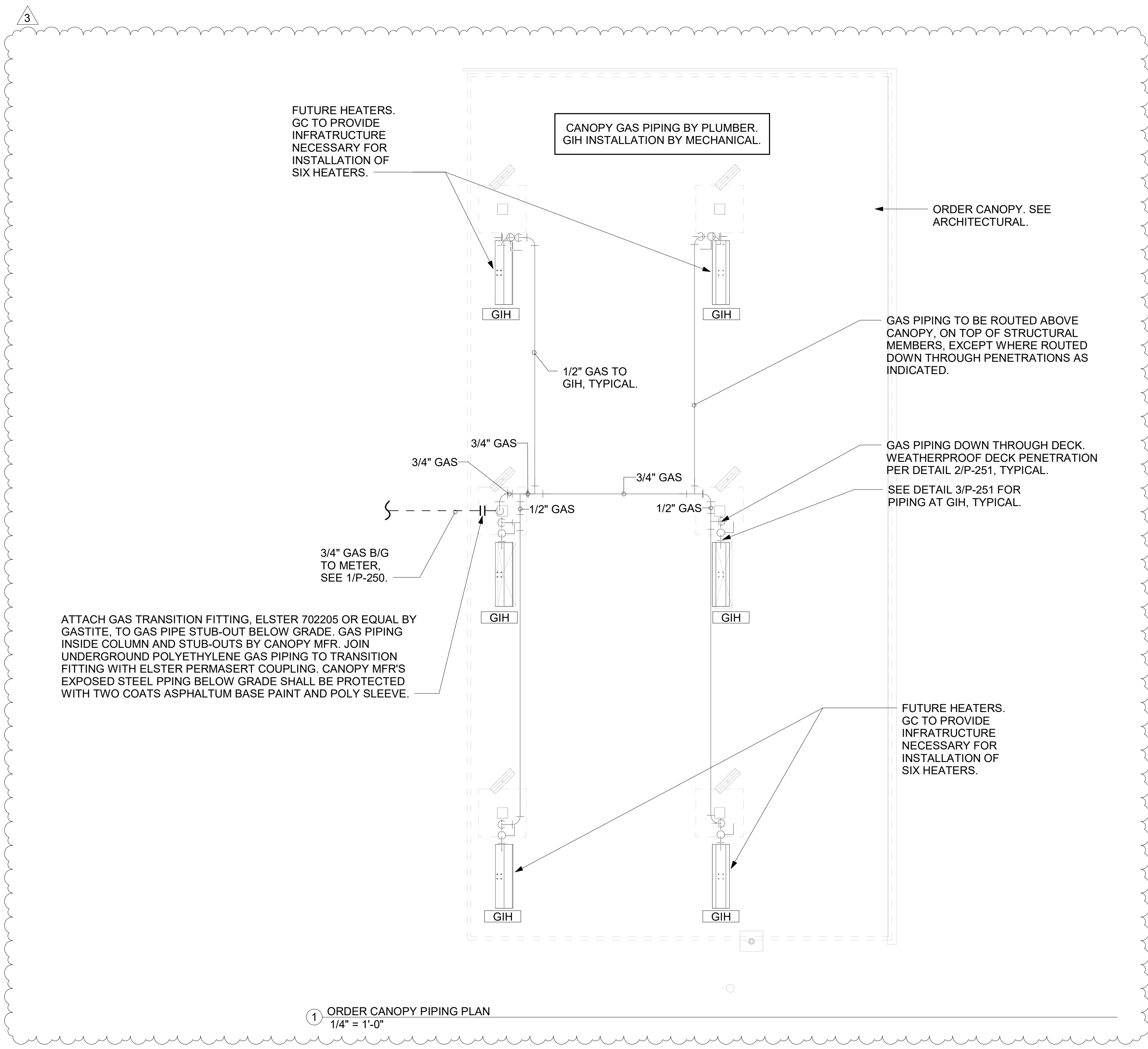


4 PIPING SUPPORT ON CANOPY
NOT TO SCALE

LEGEND			
GIH#1	GAS INFRARED HEATER #1 (TYP.)	B/G	BELOW GRADE
---	NEW GAS PIPING ABOVE GRADE	EC	ELECTRICAL CONTRACTOR
---	NEW GAS PIPING BELOW GRADE	MC	MECHANICAL CONTRACTOR

CANOPY GENERAL NOTES

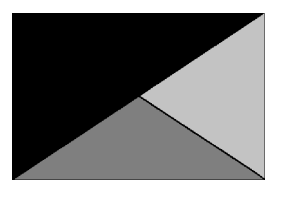
- COORDINATE NEW WORK WITH EXISTING CONDUIT, STRUCTURE, AND PIPING. FIELD VERIFY EXISTING CONDITIONS PRIOR TO START OF WORK.
- COORDINATE LOCATION AND RESPONSIBILITIES FOR UNDERGROUND PIPING AND ASSOCIATED TRENCHING WITH GENERAL CONTRACTOR PRIOR TO START OF WORK.
- EXPOSED GAS PIPING SHALL BE PAINTED BY GENERAL CONTRACTOR.
- ACTUAL NUMBER OF GAS INFRARED HEATERS WILL BE DETERMINED BY SITE-SPECIFIC CANOPY LAYOUT AND EQUIPMENT LOCATIONS, AS INDICATED ON ARCHITECTURAL PLANS.



1 ORDER CANOPY PIPING PLAN
1/4" = 1'-0"



Chick-fil-A
5200 Buffington Road
Atlanta, Georgia
30349-2998



Kurzynski & Associates
2705 Lebanon Pike - Suite One
Nashville, Tennessee 37214
Telephone: (615) 255-5203



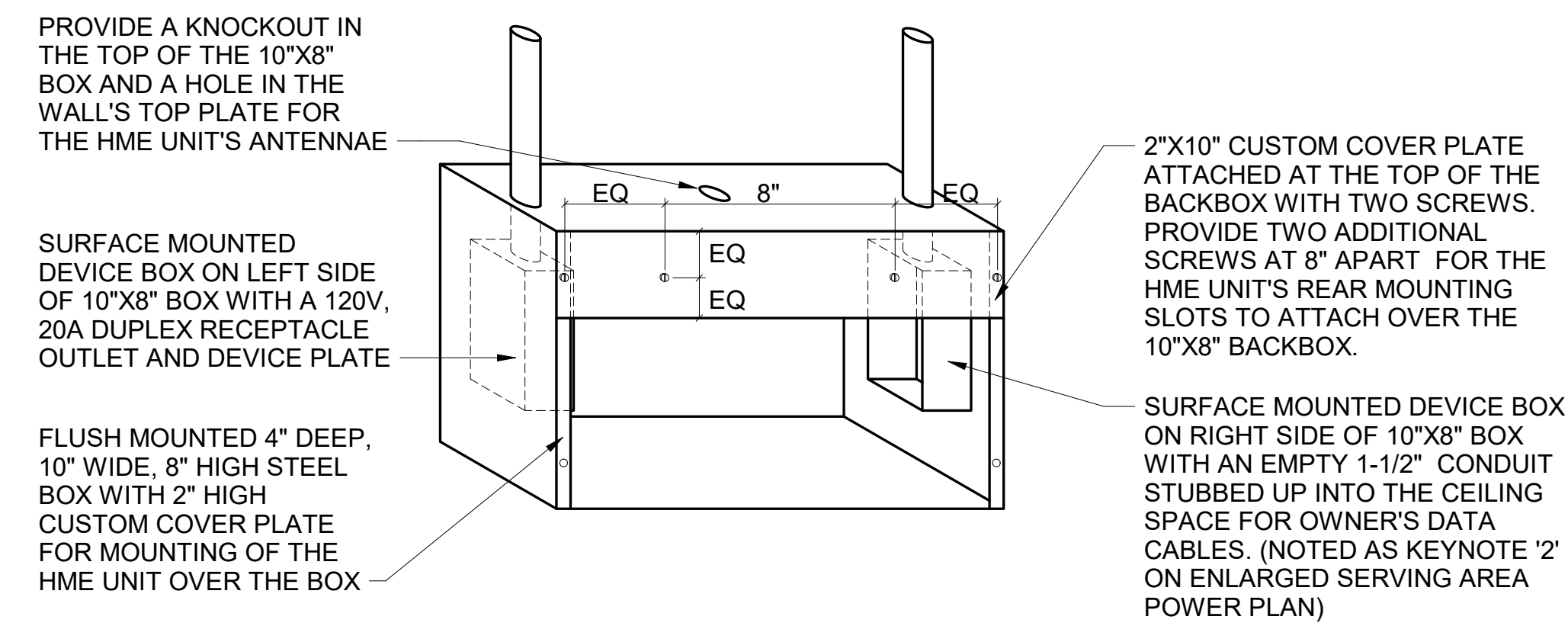
CHICK-FIL-A
West Carmel FSU
9965 N MICHIGAN ROAD
CARMEL, IN 46032

FSR#04978
BUILDING TYPE / SIZE: P14 LS ALL
RELEASE: 22.08
PRINTED FOR
CONSTRUCTION
REVISION SCHEDULE
NO. DATE DESCRIPTION
3 03/13/2023 ISSUED FOR CONSTRUCTION

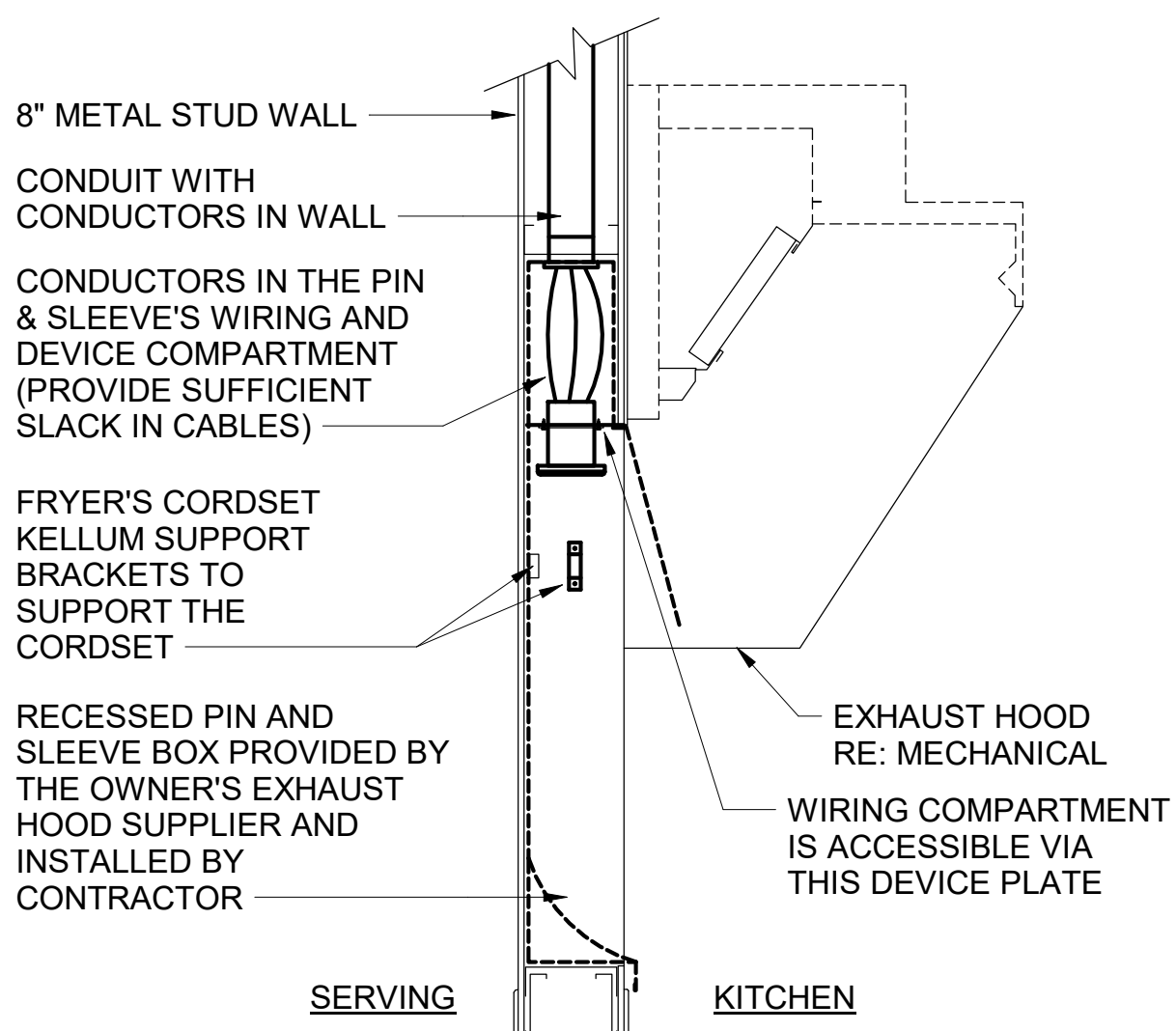
For Construction -

CONSULTANT PROJECT # 22169.CD.S
DATE 03/24/23
DRAWN BY CAC
Information contained on this drawing is the property of Chick-fil-A and shall not be reproduced in any manner without express written or verbal consent from authorized project representatives.
SHEET
CANOPY PLAN AND DETAILS
SHEET NUMBER

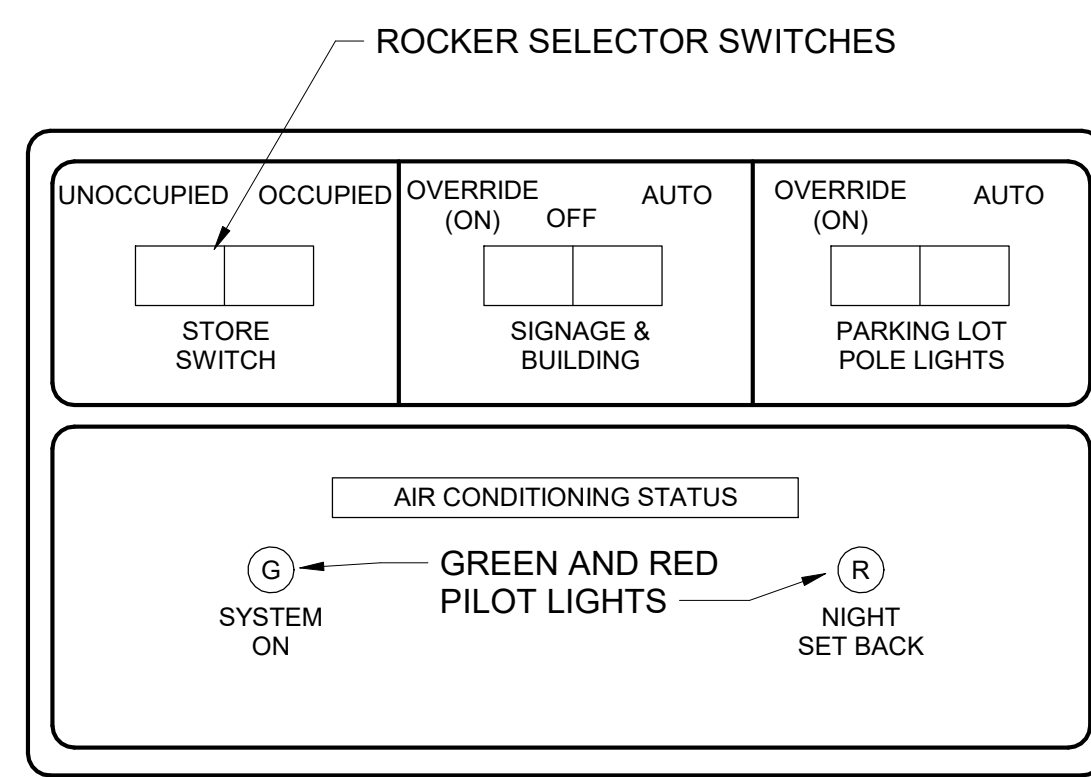
P-251



E3 HME UNIT POWER & DATA BOX DETAIL
NO SCALE



D4 PIN & SLEEVE BOX DETAIL
NO SCALE



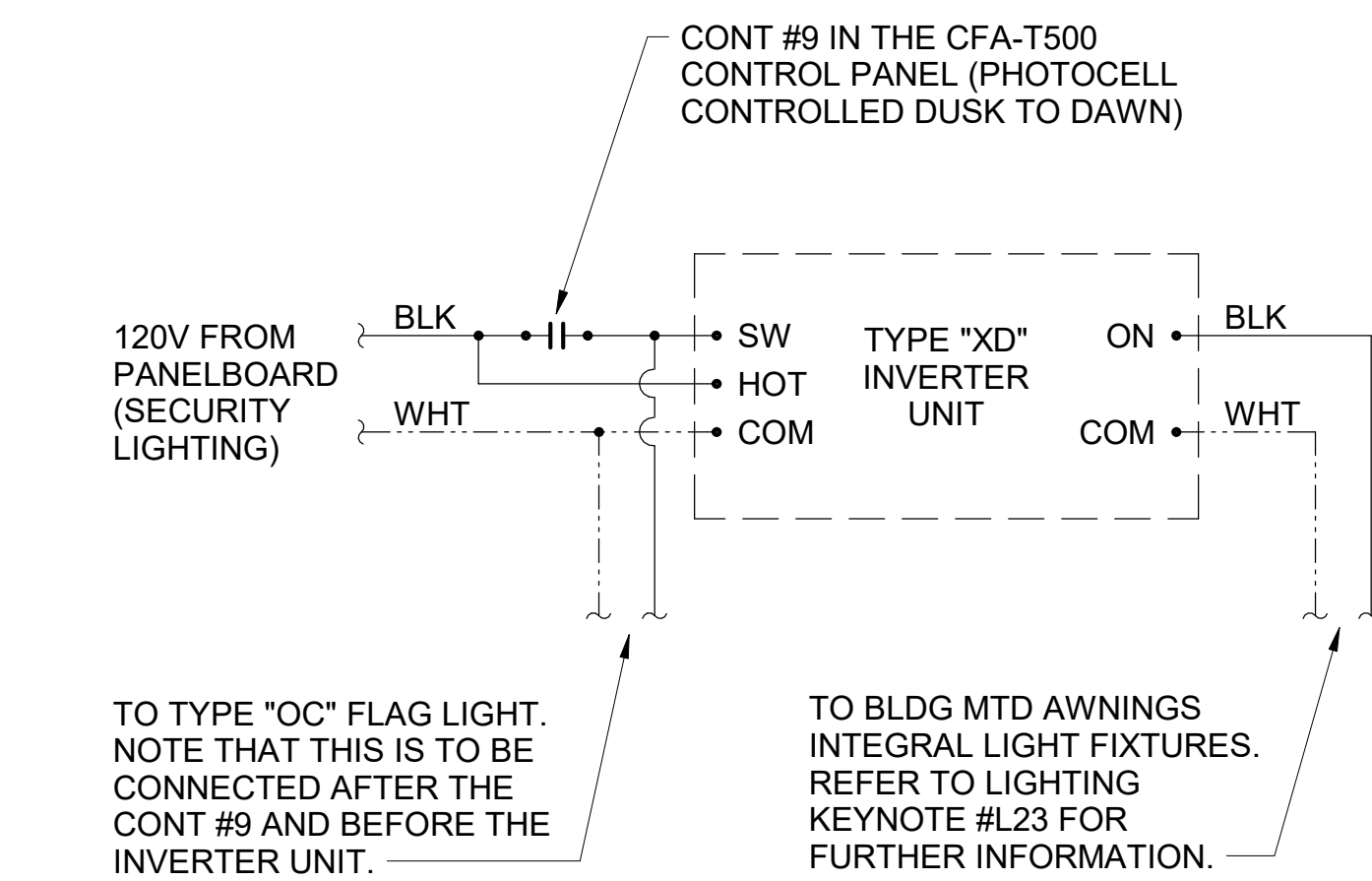
D3 OPEN-CLOSED CONTROL SWITCH
NO SCALE

NOTE: THIS UNIT IS MOUNTED IN THE DOOR OF THE CFA-T500 CONTROL CABINET AND IS INCLUDED WITH THE GEAR ORDER FROM SUNCOAST ENVIRONMENTAL INC.

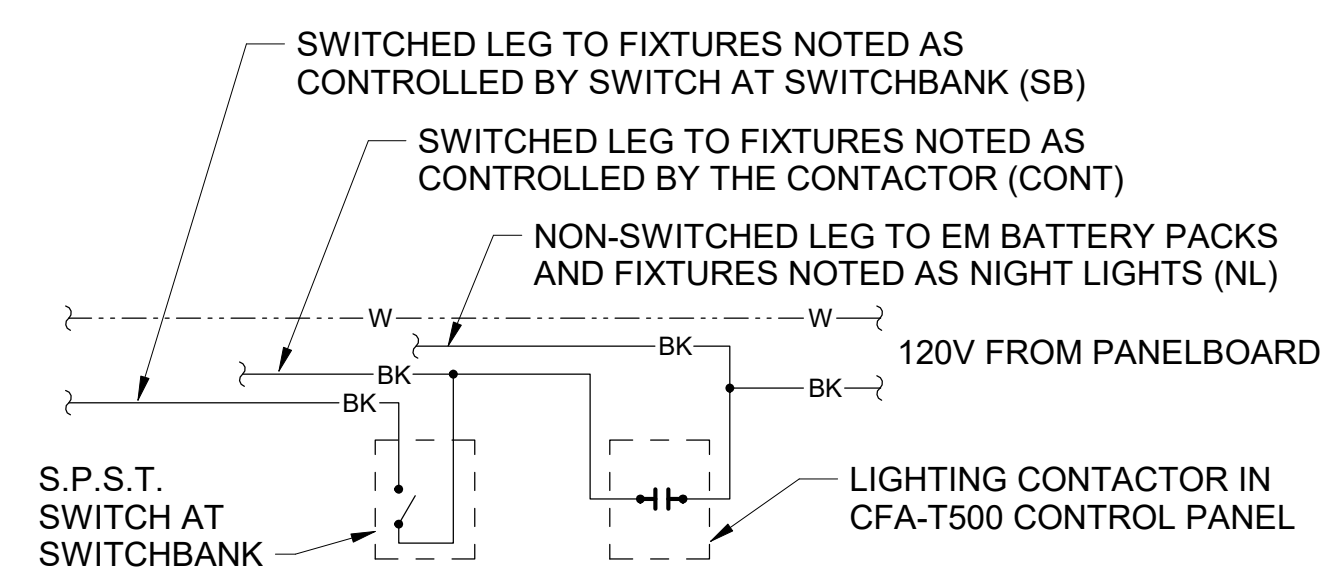
CIR C-1	CONTACTOR-1	KITCHEN LTG
CIR C-3	120 VOLT COIL	KITCHEN LTG
CIR C-5	(STORE SWITCH ON AND OFF)	RESTROOM LTG / EF-3
CIR C-11		DINING LTG
CIR C-7	CONTACTOR-2	DINING LTG
CIR C-9	120 VOLT COIL	SERV AREA LTG
CIR C-15	(STORE SWITCH ON AND OFF)	WATER RECIRC PUMP
SPARE		SPARE
CIR C-43	CONTACTOR-3	BLDG. SIGNAGE
CIR C-45	120 VOLT COIL	BLDG. SIGNAGE
CIR C-47	(P'CELL ON AND SWITCH OFF)	BLDG. SIGNAGE
CIR C-49		BLDG. SIGNAGE
CIR C-19	CONTACTOR-4	DIRECTIONAL SIGNS
CIR C-37	120 VOLT COIL	MAIN ID SIGN
CIR C-39	(P'CELL ON AND SWITCH OFF)	MAIN ID SIGN
CIR C-41		MAIN ID SIGN
SPARE	CONTACTOR-5	SPARE
CIR C-31	120 VOLT COIL	BLDG LIGHTING
SPARE	(P'CELL ON AND SWITCH OFF)	SPARE
SPARE		SPARE
SPARE	CONTACTOR-6	SPARE
SPARE	120 VOLT COIL	SPARE
SPARE	(P'CELL ON AND SWITCH OFF)	SPARE
SPARE		SPARE
CIR C-21	CONTACTOR-7	PARKING LOT LTG
CIR C-23	120 VOLT COIL	PARKING LOT LTG
SPARE	(P'CELL ON AND SWITCH OFF)	SPARE
SPARE		SPARE
SPARE	CONTACTOR-8	SPARE
SPARE	120 VOLT COIL	SPARE
SPARE	(STORE SWITCH ON AND OFF)	SPARE
SPARE		SPARE
CIR C-29	CONTACTOR-9	SECURITY/FLAG LTG
SPARE	120 VOLT COIL	SPARE
SPARE	(PHOTOCELL ON AND OFF)	SPARE
SPARE		SPARE
CIR C-48	CONTACTOR-10	EXHAUST FAN EF-1
CIR C-50	120 VOLT COIL	EXHAUST FAN EF-2
SPARE	(SWITCH ON & OFF, FS ON)	SPARE
SPARE		SPARE
CIR C-54	CONTACTOR-11	HOOD CJ FAN/LIGHTS
SPARE	120 VOLT COIL	SPARE
SPARE	(SWITCH ON & OFF, FS ON)	SPARE
SPARE		SPARE

C2 CFA-T500 CONTROL PANEL DIAGRAM
NO SCALE

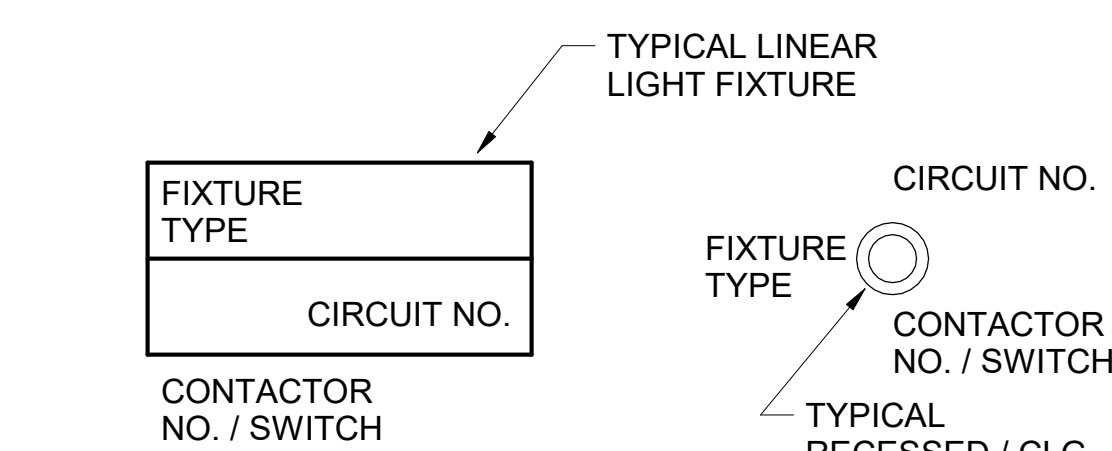
- NOTES:
- 1) VERIFY WITH SUNCOAST ENVIRONMENTAL CONTROLS' SHOP DRAWINGS.
 - 2) ONLY THE 'HOT' CONDUCTOR OF EACH CIRCUIT SHALL BE RUN THRU THE CONTACTOR.
 - 3) ANY TAPS OR WIRING CONNECTIONS OTHER THAN TO THE TERMINALS SHALL BE DONE IN A JUNCTION BOX OUTSIDE OF THIS CABINET.
 - 4) VERIFY WITH THE LOCAL CODE IF CONTACTORS #10 AND #11 WILL BE ON OR OFF WHEN THE FS SYSTEM IS INITIATED.
 - 5) CIRCUITS C-49, C-25, AND C-27 WILL BE SPARES IF NOT NEEDED.



C4 INVERTER XD WIRING DIAGRAM
NO SCALE

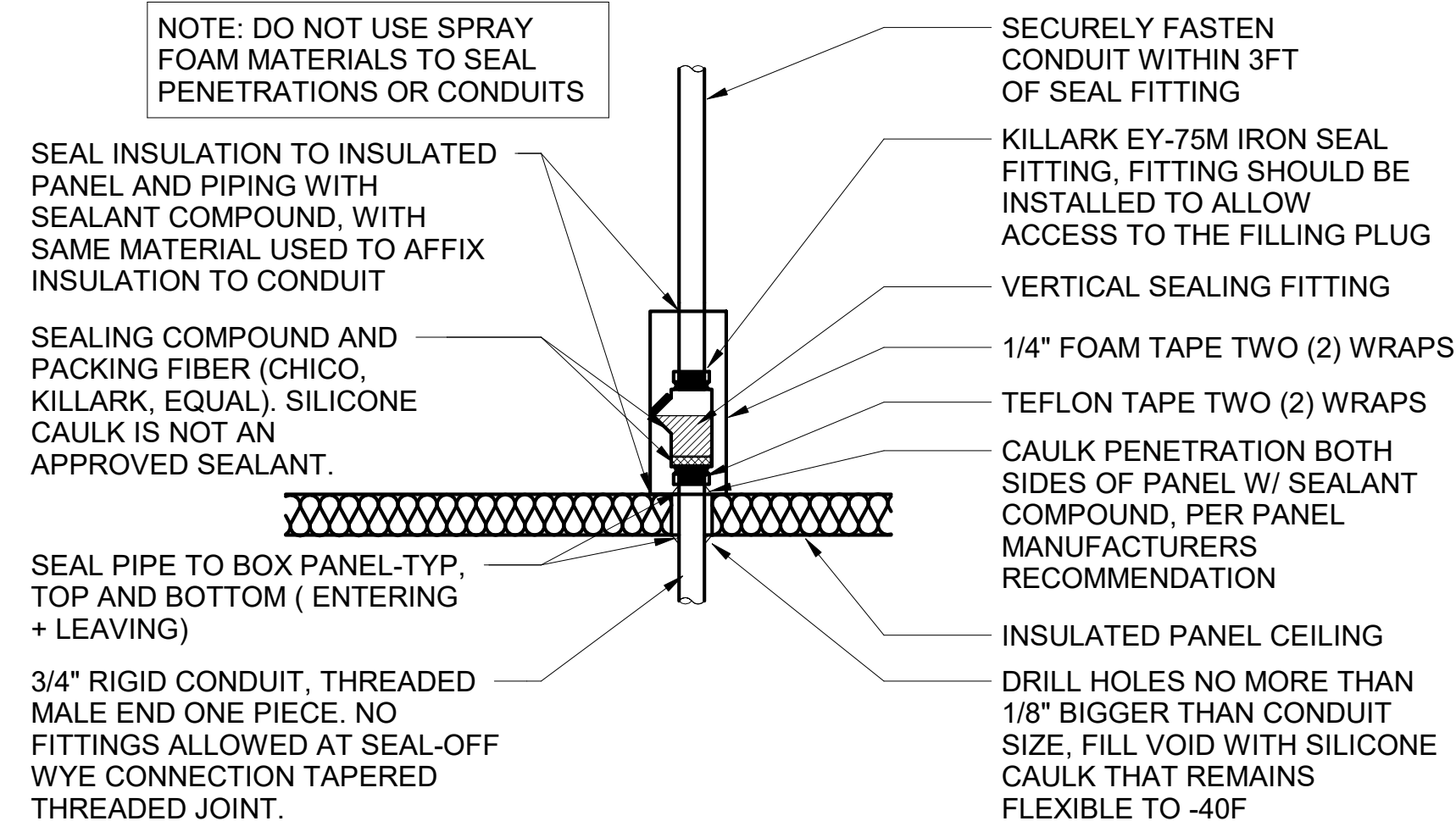


B4 LIGHTING CONTROL DIAGRAM
NO SCALE



A4 LIGHT FIXTURE NOMECLATURE
NO SCALE

SIGNAGE NOTE
THE ELECTRICAL SUBCONTRACTOR SHALL INCLUDE THE ELECTRICAL ROUGH-IN AND FINAL CONNECTIONS OF ALL SIGNAGE (BUILDING MOUNTED AND GROUND MOUNTED ON THE SITE) IN HIS SCOPE OF WORK AND UNDER HIS LOCAL CODE PERMITTING PROCESS. PROVIDE A COPY OF THE PERMIT (WHICH SPECIFICALLY INCLUDES THE SIGNAGE) TO THE SIGN VENDOR IN ORDER TO EXPEDITE THE SIGN VENDOR'S PERMIT PROCESS.



A2 WIC/WIF SEAL-OFF DETAIL
NO SCALE

(C1) ELECTRICAL LEGEND

SYMBOL	DESCRIPTION	MTG HT AFF TO CL	SYMBOL	DESCRIPTION	MTG HT AFF TO CL
LIGHTING FIXTURES			MISCELLANEOUS SYMBOLS		
☐	SURFACE MOUNTED LIGHTING FIXTURE		⊕	GROUND	
☐	RECESSED LED TROFFER LIGHTING FIXTURE		(M)	MOTOR	
○	SURFACE MOUNTED LED LIGHTING FIXTURE		(EF)	EXHAUST FAN MOTOR	
○	RECESSED LED LIGHTING FIXTURE		(J)	JUNCTION BOX	
○	WALL MOUNTED LIGHTING FIXTURE. SEE LIGHTING FIXTURE SCHEDULE	AS NOTED	(1)	CONDUIT AND WIRE "MARK" NUMBER, REFER TO CONDUCTORS AND CONDUIT SCHEDULE FOR SIZE	
○	WALL MOUNTED EXIT SIGN, SHADE INDICATES FACES, PROVIDE CHEVRON DIRECTIONALS WHEN NEEDED	6" FROM CEILING TO TOP	(101)	KITCHEN EQUIPMENT "MARK" NUMBER, REFER TO KITCHEN EQUIPMENT SCHEDULE FOR REQUIREMENTS	
○	CEILING MTD EXIT SIGN, SHADING INDICATES FACES, PROVIDE W/ CHEVRON DIRECTIONALS WHEN NEEDED		(1)	NOTE NUMBER	
○	COMBO EXIT WITH TWO LAMPHEADS		(A)	HOOD EXTINGUISHING FS PULL STATION	
○	WALL MTD EMERGENCY BATTERY PACK LIGHTING FIXTURE	AS NOTED	(D)	SMOKE DETECTORS REMOTE STATUS INDICATOR W/ 1/2" STUB-UP	
○	CEILING MTD EMERGENCY BATTERY PACK LIGHTING FIXTURE		(PB)	PUSHBUTTON	
○	FLUORESCENT STRIP LIGHTING FIXTURE		(B)	BELL, TYPE AS NOTED ON PLANS	
○	WALLWASHER TYPE RECESSED DOWNLIGHT, AIM LIGHT TOWARD WALL		(PE)	PHOTO-ELECTRIC CELL	
☐	RECESSED LIGHTING FIXTURE W/ EMERGENCY BATTERY PACK		(T)	TRANSFORMER / DRIVER	
☐	PENDANT LIGHTING FIXTURE	AS NOTED	(S)	LOCKABLE SINGLE POLE SWITCH	
☐	LIGHTING TRACK WITH TRACK HEADS		ABBREVIATIONS		
WIRING DEVICES			ABBREVIATIONS		
☐	120 VOLT DUPLEX RECEPTACLE, 20 AMPS U.O.N.	14" UON	AFF	ABOVE FINISHED FLOOR	
☐	120 VOLT QUADRUPLEX RECEPTACLE, 20 AMPS U.O.N.	14" UON	AFG	ABOVE FINISHED GRADE	
☐	120 VOLT SIMPLEX RECEPTACLE, 20 AMPS U.O.N.	14" UON	AHU	AIR HANDLING UNIT	
☐	SINGLE SPECIAL PURPOSE RECEPT W/ VOLTS, AMPS, & PHASE AS NOTED, NEMA CONFIGURATION AS REQUIRED BY EQUIP.	14" UON	C	CONDUIT	
☐	RECEPTACLE MOUNTED ON DROP CORD, 120 VOLT, 20 AMP, UON, OUTLET BOX FLUSH WITH CEILING		CL	CENTER-LINE	
☐	SINGLE POLE TOGGLE SWITCH	48"	CT	CONTACTOR	
☐	DOUBLE POLE TOGGLE SWITCH	48"	EF	EXHAUST FAN	
☐	THREE WAY TOGGLE SWITCH	48"	FLA	FULL LOAD AMPS	
☐	SWITCH WITH TIMER	48"	GF/GFI	GROUND FAULT CIRCUIT INTERRUPTER	
☐	MANUAL MOTOR STARTER SWITCH (WP=NEMA 3R)	48"	GND/GRD	GROUND	
☐	SWITCH WITH PILOT LIGHT (ON WHEN SWITCH IS ON)	48"	HT	HEIGHT	
☐	KEY OPERATED SWITCH	48"	IG	ISOLATED GRD, PROVIDE ORANGE DEVICE WHEN ADJACENT TO WIRING DEVICE	
CONDUIT/RACEWAYS			MOCP	MAXIMUM OVER-CURRENT PROTECTION	
☐	CONDUIT CONCEALED ABOVE CEILING OR IN WALL		MUA	MAKE UP AIR UNIT	
☐	CIRCUIT HOMERUN TO PANELBOARD W/ MIN 2#12, 1#12G, 3/4"C		NEC	LOCALLY ADOPTED EDITION OF THE NATIONAL ELECTRICAL CODE (NFPA 70)	
☐	CONDUIT TURNING UP		NL	NIGHT LIGHT (ON 24 HOURS)	
☐	CONDUIT TURNING DOWN		OC	ON CENTER	
☐	CONDUIT CONCEALED IN OR BELOW SLAB (OR UNDERGROUND)		POS	POINT OF SALE EQUIPMENT	
☐	FLEXIBLE LIGHT FIXTURE WHIP; SIX FOOT MAXIMUM LENGTH		RTU	ROOF TOP UNIT	
☐	METAL CLAD CABLE ASSEMBLY - ONLY WHERE INDICATED ON DWGS OR SPECS		TB	TERMINAL BLOCK	
DISTRIBUTION EQUIPMENT			TL	TWIST-LOCK TYPE DEVICE	
☐	NON-FUSIBLE SAFETY SWITCH, SIZE AND TYPE AS NOTED ON PLANS (AMP/POLES/ENCLOSURE) OR ON SCHEDULE. NEMA 1 ENCLOSURE UNLESS NOTED WP FOR NEMA 3R ENCLOSURE.	6'-6" *	TR	TAMPER-RESISTANT	
☐	FUSIBLE SAFETY SWITCH, SIZE & TYPE AS NOTED ON PLANS (AMP/POLES/FUSE AMPS/ENCLOSURE) OR ON SCHEDULE. NEMA 1 ENCLOSURE UNLESS NOTED WP FOR NEMA 3R.	6'-6" *	UON	UNLESS OTHERWISE NOTED	
☐	FLUSH MOUNTED LIGHTING PANELBOARD	6'-6" *	WP	WEATHERPROOF (NEMA 3R)	
☐	SURFACE MOUNTED LIGHTING PANELBOARD	6'-6" *	TELEPHONE		
* 6'-6" DISTANCE IS TO TOP-MOST DISCONNECTING DEVICE OR HIGHEST POSITION OF OPERATING HANDLE OF DISCONNECTING DEVICE			☐	TELEPHONE OUTLET	18" UON
			☐	TELEPHONE OUTLET AT SPECIAL MOUNTING HEIGHT	60" UON
			NOTE: EACH TELEPHONE OUTLET (FLOOR OR WALL MOUNTED) SHALL BE PROVIDED WITH A 3/4" EMPTY CONDUIT, WITH PULL WIRE, TO ACCESSIBLE CEILING SPACE.		
			CCTV / SECURITY SYSTEM		
			☐	SECURITY ALARM KEYPAD	
			☐	SECURITY SYSTEM KEY NOTE	



Chick-fil-A

Chick-fil-A
5200 Buffington Road
Atlanta, Georgia
30349-2998



DICKERSON ENGINEERING, INC.
Professional Electrical Engineers
3345 WINDY RIDGE AVENUE
CUMMINGS, GA 30041
TEL: (770) 966-0020
FAX: (770) 966-0024
DEL: 22008-16

CHICK-FIL-A
WEST CARMEL FSU
9965 N. MICHIGAN ROAD
CARMEL, IN 46032

FSR#04978

BUILDING TYPE / SIZE: P14 LS
RELEASE: 22.08

PRINTED FOR: ISSUED FOR CONSTRUCTION

REVISION SCHEDULE

NO. DATE DESCRIPTION

CONSULTANT PROJECT # 74250

DATE 03/24/23

DRAWN BY JR

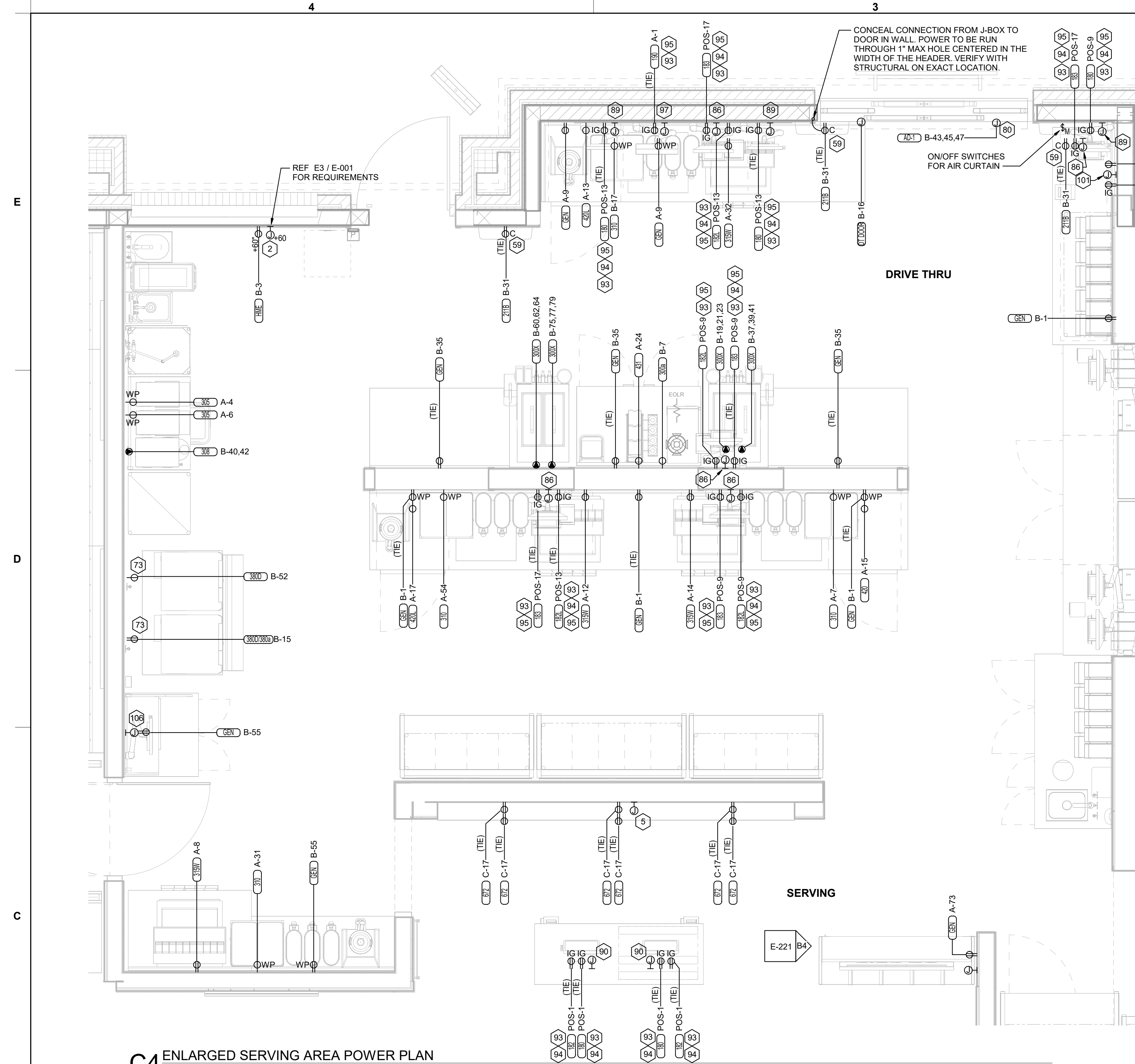
DATE 03/24/23

ELECTRICAL SCHEDULES AND DETAILS

SHEET NO. 1

E-001

3/24/2023 9:38:20 AM Autodesk Docs://IN_04978_WestCarmel (N)FSU_2022.7_FSR04978_WestCarmel (N)FSU_ELE.rvt 50-LS-04978-E-001-ELECTRICAL SCHEDULES AND DETAILS



C4 ENLARGED SERVING AREA POWER PLAN
1/2" = 1'-0"

POWER PLAN GENERAL NOTES

- A. ALL SECURITY, POS, MUSIC, COMMUNICATIONS, AND POWER ROUGH-IN SHALL BE INSTALLED DURING THE FRAMING/ROUGH-IN PHASE OF CONSTRUCTION.
- B. REFER TO KITCHEN EQUIPMENT SHEETS FOR EQUIPMENT ELECTRICAL ROUGH-IN ELEVATIONS ABOVE FINISHED FLOOR.
- C. ALL EMPTY CONDUITS SHALL BE PROVIDED WITH PULL STRING.
- D. PROVIDE INSULATED BUSHING AT TERMINATION POINTS OF ALL CONDUITS FOR LOW VOLTAGE WIRING.
- E. THE ELECTRICAL INSTALLER SHALL COORDINATE THE ROUTING OF ALL CONDUIT IN THE BUILDING WITH OTHER TRADES (SPECIFICALLY THE DUCTWORK INSTALLATION) TO AVOID CONFLICTS OF SPACE REQUIREMENTS IN WALLS AND CEILING SPACES.

NOTE FOR POS GF IN KITCHEN:
THE CONTRACTOR SHALL PROVIDE GROUND FAULT PROTECTION FOR ALL 120 VOLT, 15 AND 20 AMP ISOLATED GROUND RECEPTACLE OUTLET BRANCH CIRCUITS IN THE KITCHEN/FOOD PREPARATION AREAS. GROUND FAULT PROTECTION SHALL BE PROVIDED AT THE BREAKER VIA A GROUND FAULT TYPE BRANCH BREAKER, (GFCI TYPE ISOLATED GROUND RECEPTABLES ARE NOT AVAILABLE).

NOTE FOR GF TYPE RECEPTABLES IN KITCHEN/FOOD PREP AREAS:
THE CONTRACTOR SHALL PROVIDE GROUND FAULT CIRCUIT INTERRUPTER PROTECTION FOR PERSONNEL FOR ALL 125V - 250V RECEPTABLES SUPPLIED BY 120V SINGLE-PHASE BRANCH CIRCUITS 50 AMPS OR LESS, 208V SINGLE-PHASE BRANCH CIRCUITS 50 AMPS OR LESS, AND 208V THREE-PHASE BRANCH CIRCUITS 100 AMPS OR LESS. SEE FLOOR PLANS FOR ADDITIONAL INFORMATION.

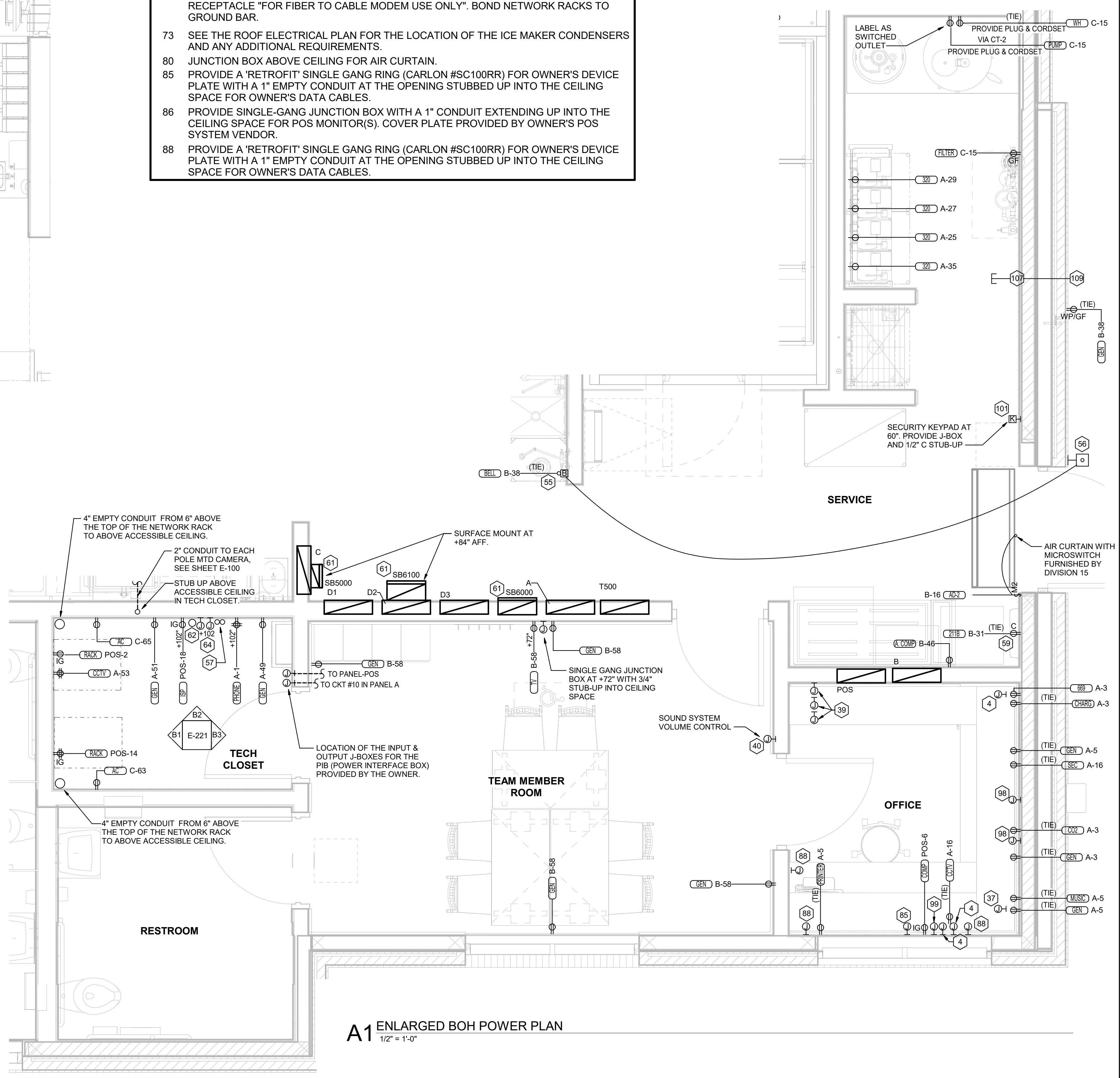
NOTE:
RECEPTABLES FOR THE POS EQUIPMENT SHALL BE THE ONLY ITEMS THAT CONNECT TO PANEL-POS. THERE SHALL BE NO OTHER LOADS CONNECTED TO THIS ISOLATED GROUND PANEL, AND, IF SO, SHALL BE REMOVED AND RECONNECTED TO ANOTHER PANELBOARD AT THE EXPENSE OF THE CONTRACTOR.

ELECTRICAL KEYNOTES

- 2 PROVIDE JUNCTION BOX, LESS COVER PLATE, AND EXTEND 1-1/2" CONDUIT UP IN WALL TO ABOVE CEILING FOR INSTALLATION OF WIRELESS COMMUNICATION CONTROL UNIT.
- 4 PROVIDE SINGLE-GANG JUNCTION BOX WITH A 1" EMPTY CONDUIT STUBBED UP INTO THE ACCESSIBLE CEILING SPACE FOR OWNER'S VOIP PHONE JACK AND CABLES.
- 5 PROVIDE SINGLE-GANG JUNCTION BOX WITH A 3/4" EMPTY CONDUIT STUBBED UP INTO THE ACCESSIBLE CEILING SPACE FOR FUTURE MENU BOARD CABLES.
- 37 PROVIDE JUNCTION BOX WITH STAINLESS STEEL COVER PLATE AND 3/4" HOLE IN PLATE WITH GROMMET ON HOLE IN PLATE. EXTEND 3/4" CONDUIT UP IN WALL TO ABOVE CEILING FOR MUSIC SYSTEM.
- 39 THREE SINGLE GANG EXTRA DEEP J-BOXES STACKED WITH A 1/2" CONDUIT FROM EACH TO THE TOP J-BOX AND A 1" CONDUIT STUBBED INTO THE CEILING SPACE FOR MUSIC SYSTEM VOLUME CONTROLS PROVIDED BY OWNER'S VENDOR.
- 40 PROVIDE A SINGLE GANG EXTRA DEEP JUNCTION BOX AT 74" AFF WITH 1/2" CONDUIT STUBBED INTO THE CEILING SPACE FOR MUSIC SYSTEM VOLUME CONTROLS.
- 55 PROVIDE EDWARDS #340-4N5 VIBRATING 4" DIAMETER BELL. THE BELL SHALL BE RATED AT 120 VOLTS.
- 56 PROVIDE A 120 VOLT WEATHERPROOF DOORBELL PUSHBUTTON AT DOOR. PUSHBUTTON SHALL BE FLUSH MOUNTED. PROVIDE DORTRONICS SYSTEMS #W5286-P25 CLEAR ANODIZED ALUMINUM PUSHBUTTON WITH SINGLE GANG SWITCHPLATE.
- 57 TWO 2" TELEPHONE SERVICE ENTRANCE CONDUIT(S). EXTEND WITH PULL STRING FROM TELEPHONE SERVICE J-BOX TO THE UTILITY SOURCE. REFER TO THE ELECTRICAL SITE PLAN FOR ADDITIONAL INFORMATION.
- 59 PROVIDE DUPLEX RECEPTACLE (SEE ELEVATIONS FOR MTG HT) IN AN ARLINGTON #DFV2W DOUBLE-GANG RECESSED BOX FOR THE FLY SYSTEM ITEMS. DO NOT CUT THE CORDSET FURNISHED WITH THE UNIT, BUT COIL THE CORD ON THE BACK OF THE UNIT AND TUCK INTO THE BACKBOX.
- 61 SB6000 PANEL ENCLOSURE WITH 3 LITTLEFUSE SHOCKBLOCK GFCI PROTECTION DEVICES, SB6100 SHOCK BLOCK GFCI PROTECTION DEVICE, AND SB5000 SHOCK BLOCK GFCI PROTECTION DEVICE. ENSURE CONDUITS ARE INSTALLED FOR LINE AND LOAD WIRES TO BE INSTALLED WITH PROPER WIRE BENDING SPACE. LABEL EACH SHOCK BLOCK WITH PANEL AND CIRCUIT NUMBER IT CONTROLS.
- 62 ONE 3" ISP SERVICE CONDUIT. EXTEND WITH PULL STRING FROM J-BOX TO SUPPLIER'S SOURCE, REFER TO ELECTRICAL SITE PLAN FOR ADDITIONAL INFORMATION.
- 64 PROVIDE TWO 6"H X 8"W X 4"D J-BOXES (ONE FOR TELEPHONE AND ONE FOR ISP) AT 6'-6" AFF AND EXTEND A 2" CONDUIT WITH PULL STRING IN THE WALL FROM EACH J-BOX INTO THE ACCESSIBLE CEILING SPACE. PROVIDE A 36" X 36" X 3/4" PLYWOOD BACKBOARD ON THE WALL ABOVE THE J-BOXES (AT THE CEILING) FOR USE BY THE ISP. PROVIDE A COPPER GROUND BAR (EQUAL TO ERICO TGB24L14P) AT THE BOTTOM OF THE BACKBOARD WITH A #6 AWG INSULATED CU GROUNDING CONDUCTOR IN A 3/4" FROM THE GROUND BAR TO THE INTER SYSTEM BONDING TERMINATION NEXT TO THE SERVICE ENTRANCE. THE GROUND BAR SHALL HAVE TAPS FOR USE BY THE TELEPHONE AND ISP UTILITY COMPANIES AND FOR THE #6 COMMUNICATIONS GROUNDING CONDUCTOR TO THE GES. PROVIDE A 15 AMP ISOLATED GROUND (IG) ORANGE-FACED DUPLEX RECEPTACLE IN THE WALL BESIDE THE BACKBOARD AND LABEL THE RECEPTACLE "FOR FIBER TO CABLE MODEM USE ONLY". BOND NETWORK RACKS TO GROUND BAR.
- 73 SEE THE ROOF ELECTRICAL PLAN FOR THE LOCATION OF THE ICE MAKER CONDENSERS AND ANY ADDITIONAL REQUIREMENTS.
- 80 JUNCTION BOX ABOVE CEILING FOR AIR CURTAIN.
- 85 PROVIDE A 'RETROFIT' SINGLE GANG RING (CARLON #SC100RR) FOR OWNER'S DEVICE PLATE WITH A 1" EMPTY CONDUIT AT THE OPENING STUBBED UP INTO THE CEILING SPACE FOR OWNER'S DATA CABLES.
- 86 PROVIDE SINGLE-GANG JUNCTION BOX WITH A 1" CONDUIT EXTENDING UP INTO THE CEILING SPACE FOR POS MONITOR(S). COVER PLATE PROVIDED BY OWNER'S POS SYSTEM VENDOR.
- 88 PROVIDE A 'RETROFIT' SINGLE GANG RING (CARLON #SC100RR) FOR OWNER'S DEVICE PLATE WITH A 1" EMPTY CONDUIT AT THE OPENING STUBBED UP INTO THE CEILING SPACE FOR OWNER'S DATA CABLES.

ELECTRICAL KEYNOTES

- 89 PROVIDE SINGLE-GANG JUNCTION BOX WITH A 1" CONDUIT EXTENDING UP INTO THE CEILING SPACE FOR POS TERMINAL. POS SYSTEM SUPPLIER WILL PROVIDE COVER PLATE ON BOX.
- 90 PROVIDE SINGLE-GANG EXTRA DEEP JUNCTION BOX MOUNTED ON THE MOUNTING PLATE WITHIN THE FRONT SERVING COUNTER CASEWORK. MOUNT BOX ADJACENT TO THE RECEPTACLE FOR EQUIPMENT 180. DO NOT MOUNT BOX BETWEEN EQUIPMENT 180 AND EQUIPMENT 182 RECEPTABLES.
- 93 PROVIDE ORANGE ISOLATED GROUND (IG) DUPLEX RECEPTACLE.
- 94 PROVIDE GROUND FAULT PROTECTION FOR THESE DEVICES VIA A GROUND FAULT CIRCUIT BREAKER IF LOCAL CODE DEFINES THIS A FOOD PREPARATION AREA.
- 95 USE TYPE MC CABLE FOR THE ISOLATED GROUND CIRCUIT: #12 HOT, NEUTRAL, GREEN GROUND, STRIPED ISOLATED GROUND. EACH 15 AMP HOMERUN SHALL BE DEDICATED TO A CIRCUIT BREAKER VIA DEDICATED CONDUCTORS WITHIN A CABLE ASSEMBLY. ALL MC CABLES SHALL BE RUN OVERHEAD ABOVE THE CEILING AND RACKED TOGETHER ON J-HOOKS. NO SPLICES IN ANY HOMERUN CABLES FROM FIRST RECEPTACLE TO BREAKER.
- 97 PROVIDE SINGLE GANG JUNCTION BOX AND STAINLESS STEEL COVER PLATE WITH 7/8" HOLE IN CENTER. EXTEND 1" CONDUIT UP IN WALL TO ABOVE ACCESSIBLE CEILING.
- 98 PROVIDE 4"W X 4"H X 3"D FLUSH JUNCTION BOX WITHOUT A COVERPLATE. EXTEND 2" CONDUIT UP TO ABOVE ACCESSIBLE OFFICE CEILING AREA AND PROVIDE BUSHING ON CONDUIT.
- 99 PROVIDE 4"W X 4"H X 3"D JUNCTION BOX WITHOUT COVERPLATE AND EXTEND A 2" CONDUIT DOWN THROUGH SLAB AND BELOW GRADE TO EACH OF THE SITE'S POLE MOUNTED CAMERA LOCATIONS (SEE ELECTRICAL SITE PLAN FOR CONTINUATION) AND A 2" CONDUIT UP INTO THE ACCESSIBLE CEILING SPACE WITH A BUSHING ON THE CONDUIT END. PROVIDE A SINGLE-GANG JUNCTION BOX ADJACENT TO THE DOUBLE-GANG BOX WITH A 1.5" CONDUIT DOWN TO A SECOND SINGLE-GANG JUNCTION BOX AT THE CCTV MONITOR LOCATION.
- 101 PROVIDE SINGLE GANG BOX WITHOUT COVER PLATE. EXTEND 1/2" CONDUIT UP IN WALL TO ABOVE ACCESSIBLE CEILING.
- 106 PROVIDE SINGLE GANG JUNCTION BOX WITHOUT COVERPLATE. EXTEND 1/2" CONDUIT UP IN WALL TO ABOVE ACCESSIBLE CEILING.
- 107 PROVIDE SINGLE GANG JUNCTION BOX WITH STAINLESS STEEL COVER PLATE MOUNTED ABOVE THE CEILING SPACE AND ABOVE ON THE INTERIOR SIDE OF THE REAR DOOR. ROUTE 1" CONDUIT FROM THE BOX TO THE "100" BOX NOTED BELOW.
- 109 PROVIDE SINGLE GANG, WEATHER-PROOF JUNCTION BOX WITH STAINLESS STEEL COVER PLATE MOUNTED ABOVE THE REAR DOOR ON THE EXTERIOR WALL. ROUTE 1" CONDUIT FROM THE BOX AND INTO THE BUILDING AND TERMINATE CONDUIT IN THE BOX NOTED IN "S10" ABOVE.



A1 ENLARGED BOH POWER PLAN
1/2" = 1'-0"

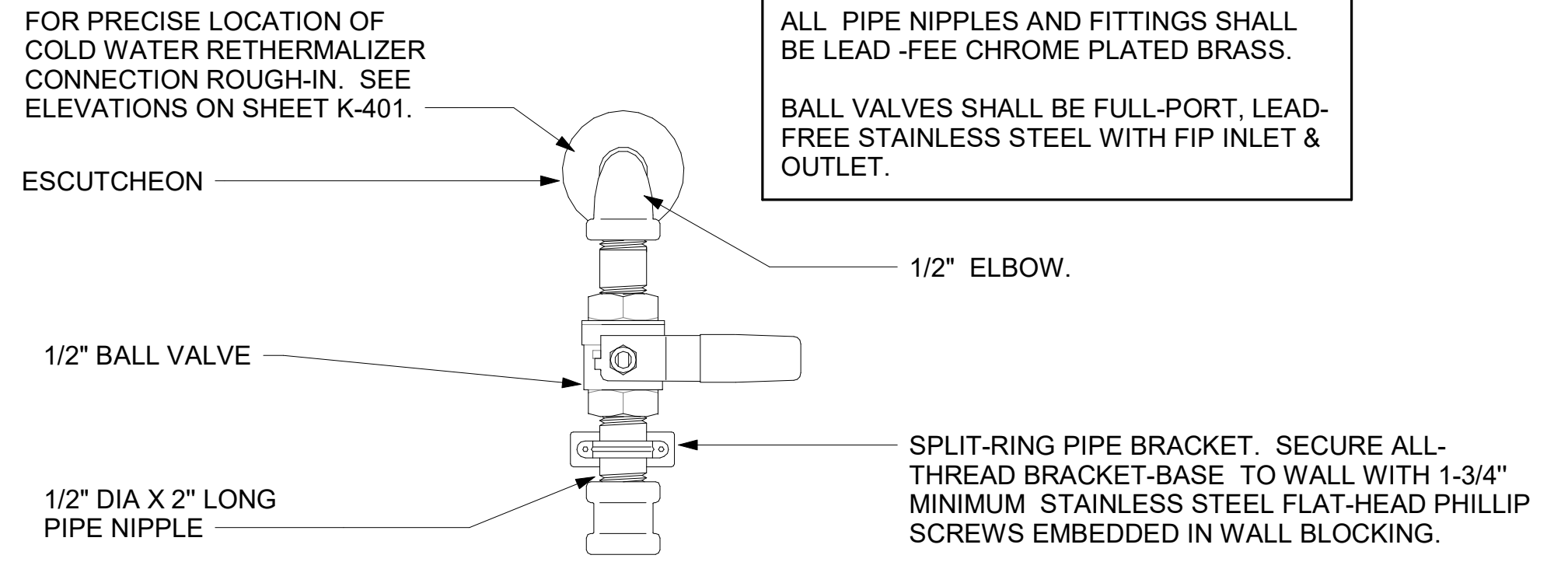
Chick-fil-A
5200 Buffington Road
Atlanta, Georgia
30349-2998

DICKERSON ENGINEERING, INC.
Professional Electrical Engineers
1345 W. NORTH AVENUE, SUITE 100
COLUMBUS, GA 31906
TEL: (706) 328-0000
FAX: (706) 328-0001
DEI: 22008-16

CHICK-FIL-A
WEST CARMEL FSU
9965 N. MICHIGAN ROAD
CARMEL, IN 46032

FSR#04978
BUILDING TYPE / SIZE: P14 LS
RELEASE: 22.08
PRINTED FOR: ISSUED FOR CONSTRUCTION
REVISION SCHEDULE
NO. DATE DESCRIPTION

CONSULTANT PROJECT # 74250
DATE 03/24/23
DRAWN BY: Author
Information contained on this drawing and all digital files produced for above named project may not be reproduced in any manner without express written or verbal consent from authorized project representatives.
SHEET: ENLARGED SERVING AND BOH POWER PLAN
SHEET NUMBER: E-302

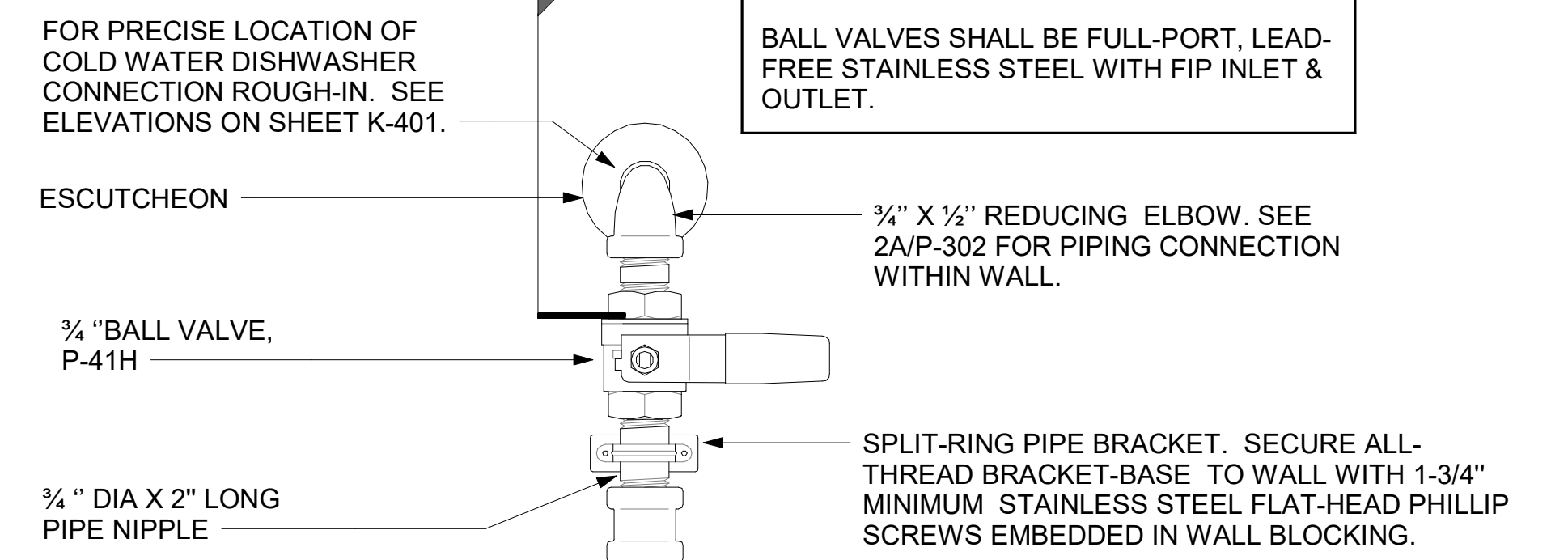


FOR PRECISE LOCATION OF COLD WATER RETHERMALIZER CONNECTION ROUGH-IN. SEE ELEVATIONS ON SHEET K-401.

ALL PIPE NIPPLES AND FITTINGS SHALL BE LEAD-FREE CHROME PLATED BRASS. BALL VALVES SHALL BE FULL-PORT, LEAD-FREE STAINLESS STEEL WITH FIP INLET & OUTLET.

SPLIT-RING PIPE BRACKET. SECURE ALL-THREAD BRACKET-BASE TO WALL WITH 1-3/4\"/>

① RETHERMALIZER SUPPLY VALVE NOT TO SCALE

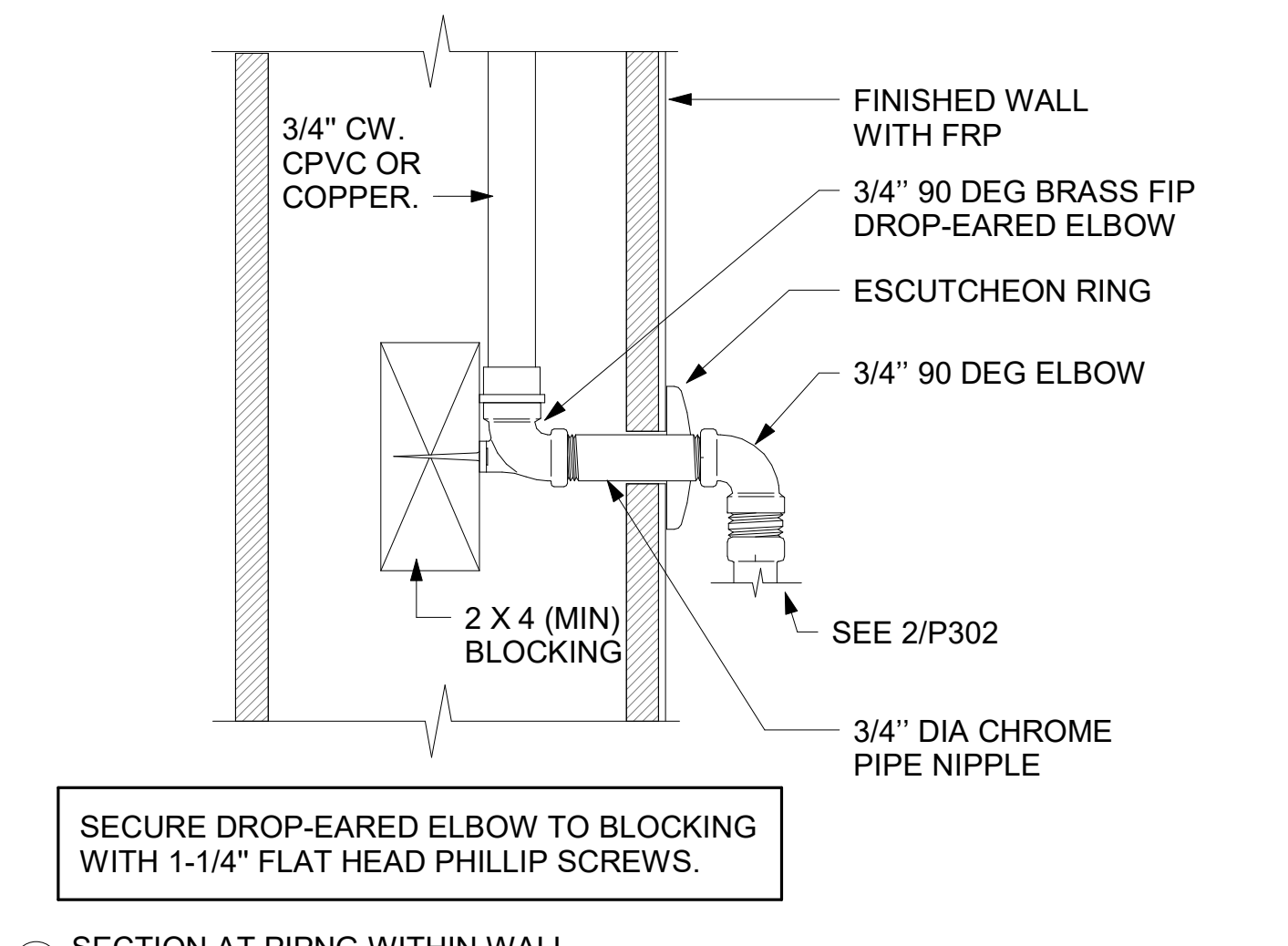


FOR PRECISE LOCATION OF COLD WATER DISHWASHER CONNECTION ROUGH-IN. SEE ELEVATIONS ON SHEET K-401.

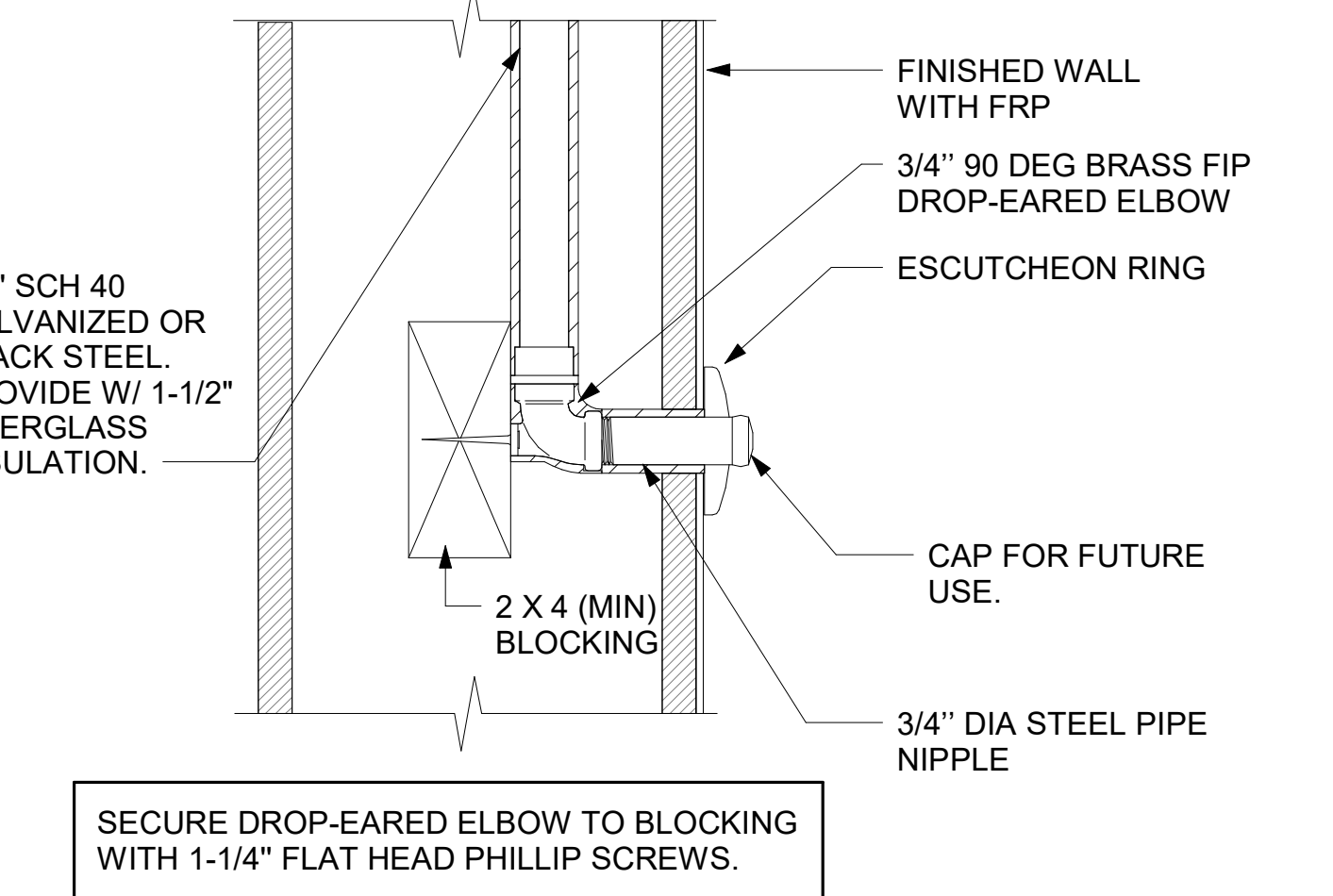
ALL PIPE NIPPLES AND FITTINGS SHALL BE LEAD-FREE CHROME PLATED BRASS. BALL VALVES SHALL BE FULL-PORT, LEAD-FREE STAINLESS STEEL WITH FIP INLET & OUTLET.

SPLIT-RING PIPE BRACKET. SECURE ALL-THREAD BRACKET-BASE TO WALL WITH 1-3/4\"/>

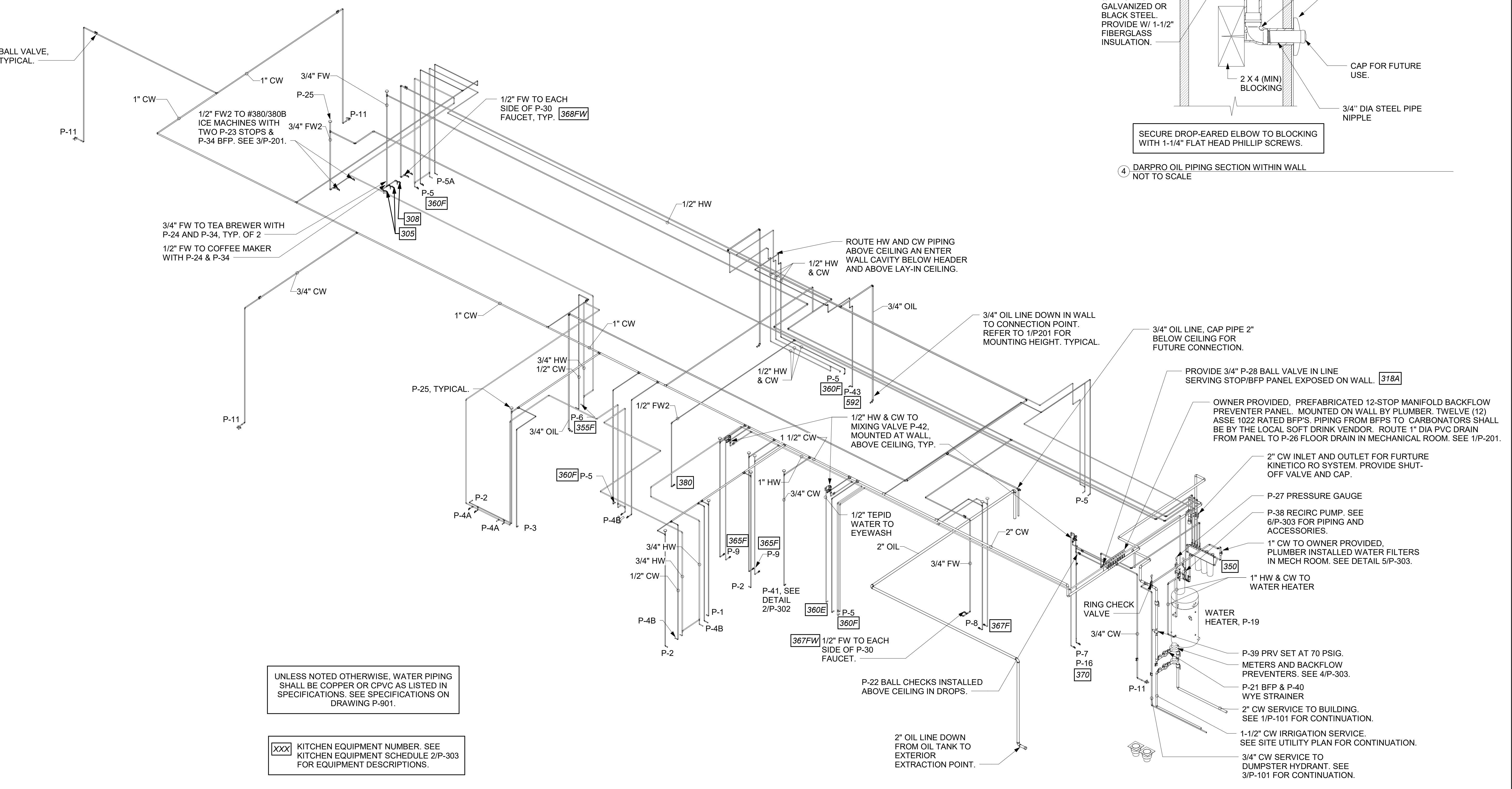
② DISHWASHER SUPPLY VALVE ASSEMBLY-HOBART NOT TO SCALE



②A SECTION AT PIPING WITHIN WALL NOT TO SCALE



④ DARPRO OIL PIPING SECTION WITHIN WALL NOT TO SCALE



① WATER AND OIL RISER DIAGRAM

UNLESS NOTED OTHERWISE, WATER PIPING SHALL BE COPPER OR CPVC AS LISTED IN SPECIFICATIONS. SEE SPECIFICATIONS ON DRAWING P-901.

XXX KITCHEN EQUIPMENT NUMBER. SEE KITCHEN EQUIPMENT SCHEDULE 2/P-303 FOR EQUIPMENT DESCRIPTIONS.



Chick-fil-A
 Chick-fil-A
 5200 Buffington Road
 Atlanta, Georgia
 30349-2998

Kurzynske & Associates
 2705 Lebanon Pike - Suite One
 Nashville, Tennessee 37214
 Telephone: (615) 255-5203



CHICK-FIL-A
 West Carmel FSU
 9965 N MICHIGAN ROAD
 CARMEL, IN 46032

FSR#04978
 BUILDING TYPE / SIZE: P14 LS LRG
 RELEASE: 22-08

REVISION SCHEDULE		
NO.	DATE	DESCRIPTION

CONSULTANT PROJECT #	
22169.CD.S	DATE: 03/24/23
DRAWN BY: CAC	INFORMATION CONTAINED ON THIS DRAWING IS THE PROPERTY OF THE CONSULTANT AND IS NOT TO BE REPRODUCED OR TRANSMITTED IN ANY FORM OR BY ANY MEANS, ELECTRONIC OR MECHANICAL, WITHOUT THE WRITTEN PERMISSION OF THE CONSULTANT.
SHEET: WATER AND OIL RISER DIAGRAM	
SHEET NUMBER: P-302	

1. SECTION C15100 - PLUMBING SPECIFICATIONS

PART I - PRODUCTS (C15100)

1.01 GENERAL REQUIREMENTS

A. THE FOLLOWING SPECIFICATIONS ARE THE MINIMUM REQUIREMENT. WHERE FEDERAL, STATE OR LOCAL REQUIREMENTS DIFFER FROM THIS SPECIFICATION, THE MORE STRINGENT OF THE TWO SHALL BE FOLLOWED.

1.02 SCOPE

- A. HOT AND COLD POTABLE WATER PIPING ABOVE SLAB SHALL BE TYPE 'L' HARD DRAWN COPPER OR FLOWGUARD GOLD CPVC AS MANUFACTURED BY NIBCO OR CHARLOTTE PIPE & FOUNDRY AND MEETING ASTM D-2846. FILTERED WATER PIPING SHALL BE FLOWGUARD GOLD CPVC. HOT AND COLD PIPING WITHIN WALLS BEHIND KITCHEN HOODS SHALL BE COPPER.
- B. POTABLE WATER PIPING BELOW SLAB AND OUTSIDE BELOW GRADE SHALL BE TYPE "K" SOFT ANNEALED SEAMLESS. NO JOINTS SHALL BE ALLOWED BELOW SLAB. POTABLE WATER PIPING BELOW GRADE SHALL BE SLEEVED FOR ITS ENTIRE LENGTH WITH POLY SLEEVE AS MADE BY IPS WATER-TITE. ALL SLAB PENETRATIONS SHALL BE SLEEVED WITH POLY SLEEVE TO PROTECT PIPING FROM CORROSION BY CONCRETE.
- C. COPPER PIPE FITTINGS SHALL BE WROUGHT COPPER SWEEP PATTERN FITTINGS SOLDERED USING 95-5 LEAD-FREE SOLDER MEETING ASTM B-32 OR BRAZED WITH SIL-FOS. SOLDER FLUXES SHALL MEET ASTM B-813 AND SHALL BE LEAD FREE. BRAZING FLUXES SHALL MEET AWS FB3-A OR FB3-C.
- D. WATER PIPING DOWNSTREAM OF SOFT DRINK CARBONATORS SHALL BE PROVIDED AND INSTALLED BY LOCAL SOFT DRINK VENDOR.
- E. CPVC FITTINGS FOR PIPING SHALL BE SOLVENT WELD TYPE MEETING ASTM D-2846 WITH CEMENTS MEETING ASTM F-493 AND PRIMER MEETING ASTM F-656. CURE TIME MUST COMPLY WITH MANUFACTURER'S INSTRUCTIONS. FOR CPVC PIPING WITH POLY ALLOY, WALL STUBS AT FIXTURES AND EQUIPMENT SHALL BE COPPER AND SHALL BE SERIES 630-C. CPVC-TO-COPPER STUB OUT ELBOWS BY SIOUX CHIEF.
- F. NIPPLES, ELBOWS, AND OTHER ACCESSORY FITTINGS REQUIRED TO COMPLETE ANY WATER PIPING CONNECTION SHALL BE BRASS OR OF SIMILAR TYPE METAL AS THE FITTING TO WHICH IT IS CONNECTED. GALVANIZED FITTINGS ARE PROHIBITED. (EXCEPTION GALVANIZED HEAT TRAP WATER HEATER NIPPLES IF INTERNALLY PROTECTED WITH TEFLON OR POLYMER CORROSION-RESISTANT COATING.)
- G. ALL HVAC CONDENSATE PIPING SHALL BE SCHEDULE 40 PVC DWV AS MANUFACTURED BY CHARLOTTE PIPE AND MEETING ASTM D-1784, D-1785 AND D-2665.
- H. U.N.O., ALL SANITARY WASTE, VENT, STORM DRAINAGE PIPING AND FITTINGS INSIDE THE BUILDING FOR ROOFING AND CONDENSATE SHALL BE SCHEDULE 40 PVC DWV. ALL SOLID WALL SCHEDULE 40 PVC DWV AS MANUFACTURED BY CHARLOTTE PIPE AND MEETING ASTM D-2865 AND D-2949. FOAM CORE AND/OR CELLULAR CORE PVC PIPING SHALL NOT BE ALLOWED. PVC PIPING OUTSIDE THE BUILDING, BELOW GRADE, SHALL BE TYPE SDR-35 MEETING ASTM D-3034, U.N.O.
- I. DWV PIPE AND FITTINGS WITHIN WALLS BEHIND KITCHEN HOODS SHALL BE SERVICE WEIGHT HUBLESS CAST IRON WITH SLEEVE, SHIELD, AND DRAWBAND JOINTS MEETING ASTM A-888 AND ASTM C-564.
- J. PVC-DWV FITTINGS FOR PIPING SHALL BE SOLVENT WELD TYPE INSIDE AND UNDERSLAB MEETING ASTM D-2865, D-3311 AND F-186. CEMENTS SHALL MEET ASTM D-2564 AND PRIMER MEETING ASTM F-656. CURE TIME MUST COMPLY WITH MANUFACTURER'S RECOMMENDATIONS. EXTERIOR PIPING JOINTS SHALL BE NEOPRENE PUSH-ON TYPE.
- K. PROVIDE 1" THICK PIPE INSULATION FOR ALL ABOVE SLAB HOT AND TEMPERED WATER PIPING. PROVIDE 1/2" THICK INSULATION FOR ALL ABOVE SLAB COLD WATER, FILTERED WATER, CONDENSATE PIPING, AND HORIZONTAL RAIN WATER CONDUCTORS INSIDE THE BUILDING. PIPING INSULATION SHALL BE KNAUF 1000F 25/50 FIBERGLASS PIPE COVERING, WHITE KRAFT PAPER VAPOR BARRIER (.02 PERMS) BONDED TO ALUMINUM FOIL AND REINFORCED WITH GLASS FIBERS, MAXIMUM THERMAL CONDUCTIVITY OF 0.23 AT 75°. LONGITUDINAL LAP SHALL BE SELF SEALING. INSULATION FOR WALK-IN REFRIGERATORS CONDENSATE PIPING SHALL BE ARMACELL AP ARMAFLEX WITH MINIMUM 3/4" WALL THICKNESS.
- L. PIPE INSULATION AND COVERINGS SHALL HAVE A RATING OF NOT GREATER THAN 25 FLAME SPREAD, NO HIGHER THAN 50 SMOKE DEVELOPED, AND NO MORE THAN 50 FUEL CONTRIBUTED. THE ONLY EXCEPTION SHALL BE ARMAFLEX AP, WHEN SPECIFIED, WHICH SHALL NOT EXCEED 100 SMOKE DEVELOPED.
- M. A PVC 25/50 PRE-FORMED COVER SHALL BE PROVIDED AT ALL INSULATED PIPING FITTINGS EQUAL TO PROTO PVC CORP LOSMOKE, 800-875-7768.
- N. ALL ABOVE GRADE NATURAL GAS PIPING SHALL BE SCHEDULE 40 BLACK STEEL MEETING ASTM A53 WITH SCREWED OR WELDED FITTINGS AND GASKET TYPE UNIONS AND FLANGES. FOR SCREWED PIPING, PIPING SHALL BE JOINED WITH BLACK 150 POUND MALLEABLE IRON SCREWED FITTINGS AS ALLOWED BY LOCAL AUTHORITY. CONTRACTOR SHALL VERIFY THE NEED FOR WELDED PIPING AS REQUIRED BY THE LOCAL GAS CODE AND/OR APPLICABLE LOCAL ORDINANCES AND AMENDMENTS.
- O. ALL BELOW GRADE NATURAL GAS PIPING SHALL BE MEDIUM DENSITY POLYETHYLENE (PE) MEETING ASTM D2513 AS MANUFACTURED BY GASTITE WITH JOINING SYSTEM AS MANUFACTURED BY CON-STAB. TRANSITIONS FROM ABOVE GRADE RIGID PIPING TO PE BELOW GRADE PIPING SHALL BE MADE WITH ANODE-LESS RISER ASSEMBLY AS MANUFACTURED BY CON-STAB.
- P. EXPOSED SUPPORTS AND ATTACHMENTS SHALL BE STAINLESS STEEL, CHROME OR CHROME PLATED. GALVANIZED ATTACHMENTS WILL NOT BE ACCEPTED.
- Q. USE MATERIALS SPECIFIED ON THESE PLANS. SUBSTITUTIONS ARE ALLOWED ONLY IF SPECIFIED OTHERWISE. ALL PRODUCT SUBSTITUTIONS WILL NOT BE ACCEPTED WITHOUT PRIOR APPROVAL. ALL WATER PIPING, FITTINGS, FIXTURES AND ACCESSORIES SHALL BE CERTIFIED LEAD FREE AS DEFINED IN, AND PER THE INTENT OF, THE "REDUCTION IN LEAD IN DRINKING WATER ACT".

PART II - EXECUTION (C15100)

2.01 TRENCHING (C15100)

- A. EXCAVATION, BACKFILLING, AND TRENCH WORK SHALL BE DONE IN ACCORDANCE WITH LATEST O.S.H.A. AND APPLICABLE SAFETY STANDARDS.
- B. PROVIDE NECESSARY SHORING AND CLEANING TO KEEP TRENCHES IN GOOD WORKING CONDITION, INCLUDING PUMPING OUT WATER.
- C. IN MOSTLY ROCK MATERIAL, TRENCHES SHALL BE EXCAVATED TO 6" BELOW THE ELEVATION OF THE BOTTOM OF THE PIPES. AFTER EXCAVATION, TRENCH SHALL THEN BE FILLED TO THE PROPER ELEVATION WITH CRUSHED LIMESTONE. GRAVEL SHALL BE REMOVED FROM UNDER PIPE BELLS SO THE PIPE RESTS FIRMLY ON THE TRENCH BOTTOM.
- D. IN MOSTLY EARTH OR SAND MATERIAL, TRENCHES SHALL BE EXCAVATED TO 6" BELOW THE ELEVATION OF THE BOTTOM OF THE PIPES. AFTER EXCAVATION, TRENCH SHALL THEN BE FILLED TO THE PROPER ELEVATION WITH FINE SAND OR GRAVEL. TRENCH BOTTOM SHALL BE REMOVED AT PIPE BELLS SO THE PIPE RESTS FIRMLY ON THE TRENCH BOTTOM.
- E. BACKFILLING AND TAMPING SHALL BE CAREFULLY DONE BY HAND SIMULTANEOUSLY ALONG BOTH SIDES OF THE PIPE USING ROCK FREE EARTH, CRUSHED STONE OR SAND UNTIL THE PIPE IS COVERED TO A DEPTH OF AT LEAST 12". BACKFILL SHALL BE ACCOMPLISHED IN SUCCESSIVE 6" LAYERS. THE REST OF THE FILL-UP TO THE TOPSOIL LAYER MAY BE GRAVEL OR ROCK FREE EARTH.
- F. ACCEPTABLE SOIL MATERIALS FOR BACKFILL AND FILL SHALL BE FREE OF CLAY, ROCK OR GRAVEL LARGER THAN 2" IN ANY DIMENSION, DEBRIS, WASTE, FROZEN MATERIALS AND OTHER DELETERIOUS MATTER HAVING A PLASTICITY INDEX LESS THAN 30. BACKFILL SHALL BE ACCOMPLISHED IN LAYERS OF NOT MORE THAN 6" AND EACH LAYER SHALL BE COMPACTED. THE LAST 12" OF BACKFILL SHALL BE ROCK FREE TOPSOIL.
- G. SURFACE SHALL BE RESTORED TO ITS ORIGINAL CONDITION.

2.02 INSTALLATION (C15100)

- A. WATER PIPING IN EXTERIOR WALL SHALL BE INSTALLED ON THE HEATED SIDE OF WALL INSULATION.
- B. EXPOSED HOT AND COLD WATER TRIM FITTINGS AND ACCESSORIES IN FINISHED AREAS SHALL BE CHROME FINISHED.
- C. ACCEPTABLE METHODS OF PIPE SUPPORT WITHIN WALLS SHALL BE THE SUMNER SYSTEM, POSIFIX, STAKFIX, PIPEFIX, HOLDRITE OR CHANNEL.
- D. PROVIDE J.R. SMITH OR APPROVED EQUAL SHOCK ABSORBERS #5005 THRU 5050 SIZE AS RECOMMENDED BY MANUFACTURER INSTALLED ON HOT AND COLD WATER BRANCH LINES CONTAINING SINGLE LEVER FAUCETS, FLUSH VALVES OR EQUIPMENT WITH QUICK CLOSING VALVES BETWEEN THE LAST TWO FIXTURES AS SHOWN ON THE CONTRACT DRAWINGS. SHOCK ABSORBERS SERVICING FIXTURES WITH FLUSH VALVES SHALL BE SECURELY ANCHORED IN THEIR VERTICAL POSITION.
- E. SANITARY WASTE LINES SHALL BE UNIFORMLY GRADED TO ELEVATIONS SHOWN. IF NO ELEVATIONS ARE GIVEN, SEWERS SHALL BE PITCHED NOT LESS THAN 1/4" PER FOOT FOR ALL PIPING 2-1/2" IN DIAMETER AND SMALLER AND 1/8" PER FOOT FOR ALL PIPING 3" IN DIAMETER AND LARGER.
- F. STORM PIPING SHALL BE SLOPED AT 1/4" PER FT (2%) UNLESS NOTED OTHERWISE ON PLANS.
- G. SUPPORT HORIZONTAL PIPING ACCORDING TO LOCAL PLUMBING CODE. HANGER RODS SHALL BE SIZED AS FOLLOWS:

NOMINAL PIPE SIZE (IN)	MINIMUM HANGER DIAMETER (IN)
1/2	3/8
3/4 TO 1-1/2	3/4
2 TO 2-1/2	1/2
3 TO 6	3/8
- H. HANGERS FOR PIPING GREATER THAN 1" SHALL PASS OVER THE INSULATION. PROVIDE SADDLES FOR INSULATED PIPING.
- I. INSULATION SHALL BE APPLIED WITH JOINTS TIGHTLY BUTTED. OPEN CRACKS, VOIDS AND DEPRESSIONS SHALL BE FILLED WITH HYDRAULIC SETTING CEMENT. LAPPING MATCHING THE FINISH SHALL BE PASTED NEATLY OVER JOINTS. FITTINGS AND VALVES SHALL BE INSULATED WITH THE SAME TYPE.
- J. PROVIDE AND INSTALL A CUT-OFF VALVE, UNION AND FULL SIZE DIRT LEG AT CONNECTION TO EACH GAS-FIRED PIECE OF EQUIPMENT. INSTALL PIPING AT AND AROUND EQUIPMENT SO AS TO NO WAY OBSTRUCT EQUIPMENT ACCESS PANELS AND/OR ACCESS DOORS.
- K. COORDINATE ABOVE-CEILING PIPING LOCATIONS AND ROUTING WITH HVAC CONTRACTOR AND M-SHEETS PRIOR TO INSTALLATION. ALL MAIN DUCT TRUNK LOCATIONS SHALL TAKE PRIORITY. PIPING MAY REQUIRE REMOVAL AND REINSTALLATION AT PLUMBING CONTRACTOR'S EXPENSE IF PIPING OBSTRUCTS THE M-SHEET DUCT LAYOUT AS SHOWN OR PREVENTS ACCESS TO GREASE DUCT CLEANOUT OPENINGS.
- L. ALL GAS PIPING ABOVE ROOF SHALL BE CLEANED FREE OF RUST AND PAINTED WITH COAT OF ZINC RUST PRIMER AND ONE COAT OF ALUMINUM BASE PAINT. METER AND GAS RISER SHALL BE PRIMED AND PAINTED TO MATCH BUILDING.

2.03 TESTING (C15100)

- A. POTABLE WATER PIPING SHALL BE PRESSURE TESTED IN ACCORDANCE WITH APPLICABLE CODE REQUIREMENTS AND MANUFACTURERS RECOMMENDATIONS.
- B. THE POTABLE WATER SYSTEM SHALL BE FLUSHED OUT PROGRESSIVELY BY OPENING OUTLETS AND FLOWING WATER UNTIL IT RUNS CLEAR. AFTER PIPE CLEANING IS COMPLETED, THE STRAINERS SHALL BE REMOVED, CLEANED, AND REPLACED. THEN THE ENTIRE POTABLE WATER SYSTEM SHALL BE DISINFECTED IN ACCORDANCE WITH THE AUTHORITY HAVING JURISDICTION.
- C. THE SANITARY WASTE SYSTEM SHALL BE FLUSHED OUT PROGRESSIVELY WITH FLOWING WATER UNTIL IT RUNS CLEAR.
- D. THE ENTIRE SANITARY WASTE SYSTEM AND STORM DRAINAGE SYSTEM SHALL BE PRESSURE TESTED IN ACCORDANCE WITH APPLICABLE CODE REQUIREMENTS AND MANUFACTURERS RECOMMENDATIONS.
- E. NATURAL GAS PIPING SHALL BE LEAK TESTED IN ACCORDANCE WITH APPLICABLE CODE REQUIREMENTS AND MANUFACTURERS RECOMMENDATIONS.

PART III - MANUFACTURERS

3.01 PRODUCTS - PIPING SYSTEMS, ETC (C15100)

- A. HYDRANTS, CARRIERS, DRAINS, AND SHOCK ABSORBERS: ZURN, ACCEPTABLE ALTERNATES: JAY R. SMITH, JONES STEPHENS CORP, WATTS, OR JOSAM.
- B. ALTERNATES TO ZURN (ZRN) FIXTURES: ONLY AS SHOWN ON PLANS. APPROVED JAY R. SMITH (JRS), WATTS (WTS), MODEL NUMBERS LISTED ON FIXTURE SCHEDULE, THIS SHEET.

3.02 PRODUCTS - RESTROOM FIXTURES PORCELAIN & VALVES (C15405)

- A. PREFERRED FIXTURES: TOTO. NO EXCEPTION.
- B. ALTERNATE FIXTURES: ONLY AS SHOWN ON PLANS.
- C. FITTINGS: AS SPECIFIED ON THE PLANS. NO SUBSTITUTIONS ALLOWED.
- D. FLUSH VALVES AND LAVATORY FAUCETS: TOTO MANUFACTURING. NO SUBSTITUTIONS ALLOWED.
- E. PREFERRED TOILET SEATS: TOTO. ALTERNATE TOILET SEATS: CHURCH, BEMIS, AND BENEKE.
- F. FLOOR SINKS: ZURN WITH ALUMINUM SEDIMENT BUCKETS. NO SUBSTITUTIONS ALLOWED.

COORDINATION NOTE	
1.	CONTRACTOR SHALL THOROUGHLY REVIEW THE KITCHEN EQUIPMENT DRAWINGS TO ENSURE ALL ITEMS REGARDING THE PLUMBING SCOPE ARE FULLY UNDERSTOOD. MOST NOTABLY, ALL FAUCETS ARE REQUIRED TO BE PROVIDED (THROUGH HJC) & INSTALLED BY THE CONTRACTOR AS OUTLINED IN THE KITCHEN EQUIPMENT SCHEDULES.

NATIONAL ACCOUNTS	
1.	TOTO VALVES AND FIXTURES (NO SUBSTITUTIONS), HAINES, JONES & CADBURY LLC, (HJC DISTRIBUTORS), PLEASE CONTACT HJC-CFA CUSTOMER SERVICE REPRESENTATIVE AT (800) 459-7099 OR VIA E-MAIL AT: CF@HJCINC.COM FOR NATIONAL ACCOUNT PRICING AND DELIVERY FOR ALL ITEMS ON PLUMBING FIXTURE SCHEDULE.

2. PLUMBING FIXTURES

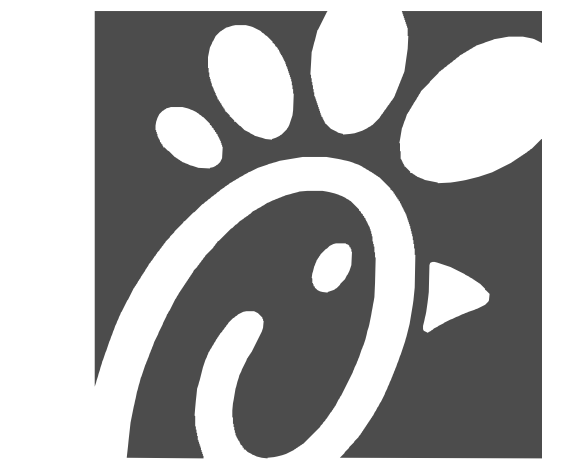
RESTROOM FIXTURES (C15405) AND PLUMBING (15100)

- P-1 WATER CLOSET: TOTO MODEL CT705UN#01 BOWL WITH 1.28 GPF TET1LA32#CP ECO-POWER FLUSH VALVE AND SC534 SEAT (ALL PROVIDED BY HJC). NO SUBSTITUTIONS. WHITE, FLOOR MOUNTED, FLUSH VALVE TYPE, VITREOUS CHINA, 1-1/2" TOP SPUD, ELONGATED BOWL, ELECTRONIC SENSOR OPERATED HANDS-FREE FLUSH VALVE, WHITE OPEN FRONT SEAT WITH CHECK HINGE. CHICK-FIL-A HAS NATIONAL ACCOUNTS WITH TOTO. PLEASE SEE NATIONAL ACCOUNT INFORMATION ON THIS SHEET FOR PRICING OF TOTO FIXTURES.
- P-2 WATER CLOSET (ADA): TOTO MODEL CT705ULN#01 BOWL WITH 1.28 GPF TET1LA32#CP ECO-POWER FLUSH VALVE AND SC534 SEAT (ALL PROVIDED BY HJC). NO SUBSTITUTIONS. H.C. ACCESSIBLE, WHITE, FLOOR MOUNTED, 17-1/2" HIGH, FLUSH VALVE TYPE, VITREOUS CHINA, 1-1/2" TOP SPUD, ELONGATED BOWL, ELECTRONIC SENSOR OPERATED HANDS-FREE FLUSH VALVE, WHITE OPEN FRONT SEAT WITH CHECK HINGE, AND NO OFFSET TOILET FLANGES. CHICK-FIL-A HAS NATIONAL ACCOUNTS WITH TOTO. PLEASE SEE NATIONAL ACCOUNT INFORMATION ON THIS SHEET FOR PRICING OF TOTO FIXTURES.
- P-3 URINAL: TOTO MODEL UT445#01 URINAL WITH TEU1UA12#CP, 0.125 GPF SELF SUSTAINED HYDROPOWER SEDELENERATING ELECTRONIC SENSOR-OPERATED FLUSH VALVE (BOTH PROVIDED BY HJC). NO SUBSTITUTIONS. VITREOUS CHINA, 3/4" TOP SPUD, SENSOR OPERATED WITH MANUAL OVERRIDE BUTTON, INTERNAL VALVE FILTER PROTECTION, PLEASE SEE NATIONAL ACCOUNT INFORMATION ON THIS SHEET FOR PRICING OF TOTO PRODUCTS.
- P-4A LAVATORY FAUCET: (BUILT-IN COUNTERTOP LAVATORY PROVIDED BY OWNER) TOTO MODEL T24551E#CP ECO-POWER SENSOR HOT/COLD FAUCET WITH THERMOSTATICALLY CONTROLLED ASSE 1070 MIXING VALVE FAUCET, 0.5 GPM, NO SUBSTITUTIONS. PROVIDE MCGUIRE LF175 SUPPLY WITH STOP, MCGUIRE 155-WC GRID DRAIN WITH OFFSET TAILPIECE, MCGUIRE 8872C POLISHED CHROME P-TRAP. P-TRAP SHALL BE PARALLEL WITH BACK WALL. TRUEBRO INC., HAND LAY-GUARD INSULATION KITS MODELS 101EZ AND 105EZ (ALL PROVIDED BY HJC). CHICK-FIL-A HAS NATIONAL ACCOUNTS WITH TOTO. PLEASE SEE NATIONAL ACCOUNT INFORMATION ON THIS SHEET FOR PRICING OF TOTO FIXTURES.
- P-4B LAVATORY: TOTO MODEL LT307 LAVATORY FAUCET; ECO-POWER SENSOR HOT/COLD FAUCET MODEL TEL105-D10E#CP WITH THERMOSTATICALLY CONTROLLED ASSE 1070 MIXING VALVE FAUCET, 0.09 GALLONS PER CYCLE, PRO-SET FLOOR MOUNTED SUPPORT WITH CONCEALED ARMS. NO SUBSTITUTIONS. MCGUIRE LF175 SUPPLY WITH STOP, MCGUIRE 155-WC GRID DRAIN WITH OFFSET TAILPIECE, MCGUIRE 8872C POLISHED CHROME P-TRAP. P-TRAP SHALL BE PARALLEL WITH BACK WALL. TRUEBRO INC., HAND LAY-GUARD INSULATION KITS MODELS 101EZ AND 105EZ (ALL PROVIDED BY HJC). CHICK-FIL-A HAS NATIONAL ACCOUNTS WITH TOTO. PLEASE SEE NATIONAL ACCOUNT INFORMATION ON THIS SHEET FOR PRICING OF TOTO FIXTURES.
- P-5 KITCHEN HAND SINK ROUGH IN: (SINK BY TMS; FAUCET: TOTO MODEL #TEL165-C20E#CP - PROVIDED BY HJC WITH THP3094 NOZZLE; CONTRACTOR SHALL INSTALL WALL HUNG, STAINLESS STEEL SINK AND FAUCET SET AND MAKE FINAL CONNECTIONS. MCGUIRE LF175 SUPPLIES WITH STOPS AND A MCGUIRE 8912C POLISHED CHROME P-TRAP (PROVIDED BY HJC). ADJUST FAUCET OUTLET TEMPERATURE TO 110 DEGREES F (OR HIGHER AS REQUIRED BY LOCAL JURISDICTION).
- P-5A KITCHEN DUMP SINK ROUGH IN: (SINK BY TMS; FAUCET: T&S MODEL #B-1146-CFA-VF05 - PROVIDED BY HJC WITH THP3094 NOZZLE) CONTRACTOR SHALL INSTALL WALL HUNG, STAINLESS STEEL SINK AND FAUCET SET AND MAKE FINAL CONNECTIONS. MCGUIRE LF175 SUPPLIES WITH STOPS (PROVIDED BY HJC).
- P-6 SERVING COUNTER DROP IN SINK ROUGH IN: (SINK PROVIDED BY CLAYTON FIXTURE; FAUCET: TOTO MODEL T24551E#CP WITH 1.0 GPM AERATOR PROVIDED BY HJC). CONTRACTOR SHALL INSTALL SINK AND FAUCET SET AND MAKE FINAL CONNECTIONS. MCGUIRE 8912C POLISHED CHROME P-TRAP AND MCGUIRE LF175R20 STOPS WITH 20" CHROME PLATED 3/8" COPPER RISERS (PROVIDED BY HJC). ADJUST FAUCET OUTLET TEMPERATURE TO 110 DEGREES F (OR HIGHER AS REQUIRED BY LOCAL JURISDICTION).
- P-7 MOP SINK FAUCET: (MOP SINK BASIN BUILT BY GENERAL CONTRACTOR) PROVIDE T&S BRASS MODEL B-2345 FAUCET WITH CERAMA SPRING CHECK VALVE CARTRIDGES, HOSE THREAD SPOUT OUTLET, TOP BRACE, ADJUSTABLE INLET SPREAD FROM 3" TOP 8". INCLUDE T&S BRASS MODEL 43-072 HOSE THREAD X 3/4" FEMALE NPT CHROME ADAPTOR (ALL PROVIDED BY HJC). NO SUBSTITUTIONS. SEE ALSO P-16.
- P-8 VEGETABLE PREP SINK ROUGH-IN: (SINK PROVIDED BY TMS; FAUCET T&S B-0152-14-CRBT WITH 1.0 GPM SPRAY HEAD BY HJC) CONTRACTOR SHALL INSTALL SINK AND MAKE FINAL CONNECTIONS. MCGUIRE LF175R20 STOPS AND BRASSCRAFT 36" CHROME PLATED 1/2" OD COPPER RISERS MODEL 3-36AC (PROVIDED BY HJC). ASSEMBLE AND MOUNT TWO HANDLE FAUCET WITH PRE-RINSE SPRAY ARM. INSTALL ADD-ON FAUCET WITH SPOUT AT BASE OF PRE-RINSE RISER. SEE K-SHEET ELEVATIONS. PROVIDE 1-1/2" SCHED 80 PVC (PIPE AND FITTINGS) INDIRECT WASTE LINES FROM SINK BASINS TO FLOOR SINK P-13B, NO P-TRAPS REQUIRED. HJC TO PROVIDE FISHER #22209 DRAINS WITH FLAT STRAINERS.
- P-9 FOUR COMPARTMENT POT SINK ROUGH-IN: (SINK PROVIDED BY TMS; FAUCETS: T&S B-0152-14CRBT & B2299-CR WITH 1.0 GPM SPRAY HEAD PROVIDED BY HJC) CONTRACTOR SHALL INSTALL SINK, ASSEMBLE & MOUNT TWO FAUCETS, AND MAKE FINAL CONNECTIONS. MCGUIRE LF175R20 STOPS AND BRASSCRAFT 36" CHROME PLATED 1/2" OD COPPER RISERS MODEL 3-36AC (PROVIDED BY HJC). ASSEMBLE AND MOUNT ONE TWO-HANDLE FAUCET WITH PRE-RINSE SPRAY. INSTALL ADD-ON FAUCET WITH SPOUT AT BASE OF PRE-RINSE RISER. ASSEMBLE AND MOUNT ONE TWO-HANDLE FAUCET WITH DOUBLE JOINT SPOUT ON OPPOSITE SIDE. SEE K-SHEET ELEVATIONS FOR FAUCET LOCATIONS. PROVIDE 1-1/2" SCHED 80 PVC (PIPE AND FITTINGS) INDIRECT WASTE LINES FROM EACH SINK BASIN TO FLOOR SINK P-13A, NO P-TRAPS REQUIRED. HJC TO PROVIDE FISHER #22209 DRAINS WITH FLAT STRAINERS.
- P-10 FLOOR DRAIN (3"): ZURN EZ1-PV3-R8 PVC BODY, BRONZE SPUD WITH 8" DIAMETER NICKEL BRONZE STRAINER (PROVIDED BY HJC). ALT: JONES STEPHENS CORP D53-144.
- P-11 WALL HYDRANT (NON-FREEZE): WOODFORD MODEL 67C AUTOMATIC DRAINING WALL HYDRANT WITH DUAL CHECK BFP. ASSE 1052 APPROVED, WALL CLAMP, POLISHED BRASS FINISH (PROVIDED BY HJC). "C" STYLE INLET. SEE WALL HYDRANT NOTES ON 1/P-201 FOR WALL THICKNESS AT WALL HYDRANTS. ALT: (WTS) HY-42.
- P-12 FUNNEL DRAIN (3"): ZURN MODEL ZN415E-SC-NL FLOOR DRAIN W/FUNNEL. INDIRECT WASTE RECEIVER WITH NICKEL BRONZE STRAINER AND FUNNEL. PROVIDE 6" SQUARE STRAINER WITH 4" ROUND FUNNEL AT WALK-IN COOLER (PROVIDED BY HJC). 4" ROUND FUNNEL (ZURN) ZN328-4.
- P-13A FLOOR SINK (POT SINK): 4" ZURN MODEL Z1901-NL-1-23-KC CAST IRON INDIRECT WASTE RECEIVER WITH 12" SQUARE BODY, FLASHING CLAMP, 8" DEEP, ALUMINUM SEDIMENT BUCKET, AND NO GRATE. NO SUBSTITUTIONS (PROVIDED BY HJC).
- P-13B FLOOR SINK (VEGETABLE SINK & BEVERAGE TOWER): ZURN MODEL Z1910-KC-3NL-1-23 CAST IRON INDIRECT WASTE RECEIVER WITH FLASHING CLAMP, 8" SQ. BODY, ALUMINUM SEDIMENT BUCKET, AND NO GRATE (PROVIDED BY HJC). NO SUBSTITUTIONS.
- P-13C FLOOR SINK (DUMP SINK): ZURN MODEL Z1910-NL-KC-2-23 CAST IRON BODY WITH INDIRECT WASTE RECEIVER, NEO-LOC OUTLET, ANCHOR FLANGE WITH SEEPAGE HOLES AND CLAMP COLLAR, WITH HALF GRATE, AND ALUMINUM BUCKET. (PROVIDE BY HJC) NO SUBSTITUTIONS.
- P-14 CLEANOUTS INSIDE BUILDING: SEE PLAN FOR WASTE CONNECTION SIZE. ZURN ZN1400-XNL-T-BP CLEANOUT WITH 6" SQUARE NICKEL BRONZE TOP AND TAPER THREAD BRONZE PLUG. SEE PLAN FOR SIZE. (X=PIPE DIA) (PROVIDED BY HJC).
- P-15 CLEANOUTS OUTSIDE BUILDING: SEE PLAN FOR WASTE CONNECTION SIZE. ZURN Z1474-NX EXTRA HEAVY DUTY CAST IRON CLEANOUT. "C" O.C. CAST IN COVER, ABS PLUG, NEO-LOCK OUTLET. (X=PIPE DIA) (PROVIDED BY HJC). ALT: (ZURN) Z1474-X-N.
- P-16 3-WAY DIVERTER VALVE ASSEMBLY: WATTS MODEL LFB 6780 ROUGH BRASS LEAD-FREE DIVERTER BALL VALVE WITH 3/4" FIP INLET AND OUTLETS AND QUARTER TURN LEVER HANDLE. PROVIDE WITH TWO (2) FORGED BRASS 3/4" MIP X 3/4" MALE GARDEN HOSE THREAD ADAPTERS (PLUMBEST MODEL G20-103 OR EQUAL). PROVIDE WITH ONE ASSE 1011 APPROVED CHROME PLATED VACUUM BREAKER (WOODFORD MODEL 34H-CH OR EQUAL) (ALL PROVIDED BY HJC). FOR INSTALLATION AT MOP SINK. SEE 4/P-201. PROVIDE ALSO TWO 3/4" CLOSE CHROME PLATED BRASS NIPPLE AND 3/4" POLISHED CHROME 90 DEGREE ELBOW.
- P-17 VACUUM RELIEF VALVE: WATTS MODEL #LFN36M1, 3/4" CONNECTION. (PROVIDED BY HJC.)

- P-18 EXPANSION TANK: AO SMITH MODEL TW12-5, ACCEPTANCE 2.19 GALLONS (PROVIDED BY HJC) AT 40 PSI PRECHARGE, 3/4" CONNECTION. ALTERNATE MODELS SIZED PER WATER HEATER MANUFACTURER RECOMMENDATIONS ARE ACCEPTABLE.
- P-19 WATER HEATER: BRADFORD-WHITE EF-60T-125E-3N STORAGE TYPE GAS FIRED 60 GALLON WATER HEATER, 125MBH INPUT, 145 GPH RECOVERY AT 100F RISE, DIRECT VENT, BLOWER POWERED, CONDENSING TYPE WITH THREE-YEAR WARRANTY (PROVIDED BY HJC). CONTRACTOR TO PROVIDE DIELECTRIC HEAT TRAP NIPPLES, STATE INDUSTRIES SUF-100-199-NE, RHEEM GHE80-130, AND BRADFORD-WHITE EF-60T-199-3N MODELS ARE ACCEPTABLE SUBSTITUTES. (ANY SUBSTITUTIONS PROVIDED ON REQUEST FROM HJC.)
- P-20 THERMOMETER: PROVIDE TRERICE MODEL B83404 - 04 3" DIAL TYPE THERMOMETER WITH BOTTOM 1/2" N.P.T. CONNECTION, 4" STEM AND 0 DEG F TO 200 DEG F RANGE. LEAD FREE. (PROVIDED BY HJC.)
- P-21 BACKFLOW PREVENTERS: COORDINATE LOCATION WITH CIVIL SITE UTILITY PLAN. BACKFLOW PREVENTER TYPE AND MODEL IS DETERMINED BY CIVIL ENGINEER IF LOCATED OUTSIDE THE BUILDING.

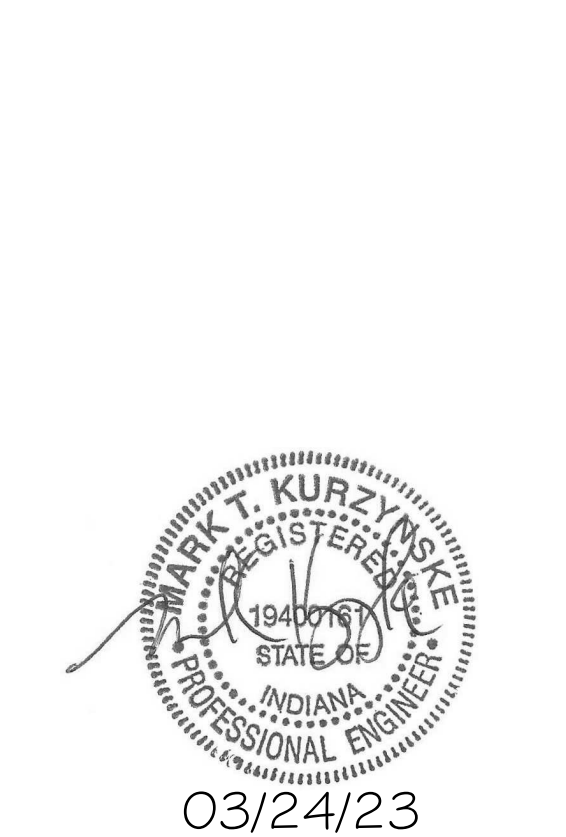
DOUBLE CHECK TYPE: WATTS NO. LFU007M1QT 1-1/2" DUAL CHECK MODULAR TYPE BACKFLOW PREVENTER MEETING ASSE 1015 AND AWWA C510-92. WHERE REQUIRED BY LOCAL AUTHORITY, USE THE RPZ TYPE BFF SHOWN BELOW. ALT: (ZRN) 112-350XL.

REDUCED PRESSURE ZONE (RPZ) TYPE: WATTS NO. LFU009M2 1-1/2" MODULAR TYPE WITH TEST PORTS AND INTERMEDIATE RELIEF VALVE MEETING ASSE 1015 AND AWWA C511-89. PROVIDE WATTS NO. 909-AG-C AIR GAP DEVICE. ALT: (ZRN) 112-975XL2LZ (ANY AND ALL PROVIDED BY HJC).
- P-23 UTILITY CONNECTION (ICEMAKER): PROVIDE A MCGUIRE MODEL LFHST06SB LEAD-FREE CHROME WHEEL ANGLE STOP, 1/2" FIP INLET AND OUTLET (PROVIDED BY HJC). PROVIDE CHROME WALL ESCUTCHEON. INSTALL WITH BFP P-34. SEE DETAIL 3/P-201 FOR PIPING AT ICE MAKERS.
- P-24 UTILITY CONNECTION (COFFEE & TEA BREWERS): PROVIDE A MCGUIRE MODEL LFHST06SB LEAD-FREE CHROME WHEEL ANGLE STOP, 1/2" FIP INLET AND OUTLET (PROVIDED BY HJC). PROVIDE CHROME WALL ESCUTCHEON. INSTALL WITH BFP P-34.
- P-25 SHOCK ABSORBER: ZURN Z1700-100 THRU Z1700-300 AS NEEDED, SIZE AS RECOMMENDED BY MANUFACTURER (PROVIDED BY HJC). ALT: (WTS) SSA + SSB; (JRS 5005 THROUGH 5050)
- P-26 FUNNEL DRAIN (3"): ZURN ZN415-3NL-8S-OF FLOOR DRAIN W/FUNNEL. INDIRECT WASTE RECEIVER WITH NICKEL BRONZE STRAINER AND FUNNEL. PROVIDE 8"X8" SQUARE STRAINER WITH 3.25"X 8.25" OBLONG FUNNEL (DRAIN AND STRAINER PROVIDED BY HJC). ALT: (JRS) 3510L03-F22NB.
- P-26A TRAP SEAL PROTECTOR: PROVENT TRAP GUARD MODEL TG3H 3" TRAP SEAL INSERT FOR INTERIOR INSTALLATION AND REPLACEMENT ACCESS THROUGH STRAINER (PROVIDED BY HJC). PROVIDE AT P-35 FLOOR DRAIN RESTROOMS; P-37 FLOOR DRAINS DINING ROOM, P-26 FUNNEL DRAINS, AND P-10 DRAINS IN MECH ROOM. PROVIDE PROTECT MODEL TG33-ZURN WHEN USING ZURN FLOOR FIXTURES (PROVIDED BY HJC).
- P-27 WATER PRESSURE GAUGE: TRERICE MODEL 800B, 2-1/2" ROUND, BOTTOM OUTLET WITH 1/4" N.P.T. CONNECTION AND 0 TO 100 PSI RANGE. (PROVIDED BY HJC).
- P-28 ISOLATION BALL VALVE (8-STOP WATER MANIFOLD PANEL); NIBCO MODEL 4660-T, 3/4", WITH IPS INLET AND OUTLET. (PROVIDED BY HJC).
- P-29A ICE MACHINE TRENCH DRAIN: ZURN/STAINLESS DRAINS TR12-CFA-18 STAINLESS STEEL TRENCH DRAIN, 14.5" X 18", STAINLESS STEEL SEDIMENT CUP AND STAINLESS STEEL SERRATED LADDER GRATE (PROVIDED BY HJC). NO SUBSTITUTIONS.
- P-29B ICE MACHINE TRENCH DRAIN: ZURN/STAINLESS DRAINS TR12-CFA-36 STAINLESS STEEL TRENCH DRAIN, 14.5" X 36", STAINLESS STEEL SEDIMENT CUP AND STAINLESS STEEL SERRATED LADDER GRATE (PROVIDED BY HJC). NO SUBSTITUTIONS.
- P-30a FILTERED WATER FAUCET: (FAUCETS: T&S B-05299-CR PROVIDED BY HJC) TWO-HANDLE WALL MOUNT FAUCET WITH SWING SPOUT. MOUNT ON WALL AS SHOWN ON K-SHEETS. PIPE FILTERED WATER TO BOTH SIDES OF FAUCET. CONNECT TO SUPPLY PIPING WITH BRASS OR CHROME NIPPLES; GALVANIZED NOT ALLOWED.
- P-31 DUMPSTER POST HYDRANT (NON-FREEZE): WOODFORD MODEL Y2 LEVER TYPE POST HYDRANT, 3/4" HOSE CONNECTION, KABEL LEVER HANDLE, BRASS CASING, BRASS CONNECTIONS. MCGUIRE LF175R20 STOPS AND BRASSCRAFT 36" CHROME PLATED 1/2" OD COPPER RISERS MODEL 3-36AC (PROVIDED BY HJC).
- P-32 DUMPSTER PAD DRAIN: J.R. SMITH FIGURE NO. 2280C03 3" FLOOR DRAIN WITH 7-1/2" HINGED CAST IRON SLOTTED GRATE AND SEDIMENT BUCKET (PROVIDED BY HJC.) INSTALLED BY SITE CONTRACTOR. ALT: (ZRN) Z415C-3NL-V.
- P-33 TRAP PRIMER (MECHANICAL TYPE); PRECISION PRODUCTS PR-500. PROVIDE DISTRIBUTION UNIT WHERE SERVING MULTIPLE DRAINS. PROVIDE SCREWDRIVER STOP AT PRIMER INLET. ALT: (WTS) TP-300A-DR.
- P-34 DISPENSER BACKFLOW PREVENTER: WATTS MODEL #LF7RU2-2 ASSE 1024 RATED WITH 1/2" FIP INLET AND OUTLET, DUAL CHECK TYPE. PROVIDE 1/2" DIA X 2" LONG CHROME NIPPLE AT BFP INLET AND OUTLET. PROVIDE T&S BRASS MODEL B-0110 CHROME WALL BRACKET. (ALL PROVIDED BY HJC.)
- P-35 FLOOR DRAIN (3"): ZURN EZ1-PV3-R6 PVC BODY, BRONZE SPUD WITH 6" DIAMETER NICKEL BRONZE STRAINER (PROVIDED BY HJC). ALT: JONES STEPHENS CORP D50-064.
- P-36 BEVERAGE TOWER INDIRECT RECEIVER (3"): ZURN EZ1-PV3-R8 PVC BODY, BRONZE SPUD WITH 8" DIAMETER NICKEL BRONZE STRAINER (PROVIDED BY HJC). ALT: JONES STEPHENS CORP D53-144.
- P-37 FLOOR DRAIN (3"): ZURN EZ1-PV3-S6 PVC BODY, BRONZE SPUD WITH 6" SQUARE NICKEL BRONZE STRAINER (PROVIDED BY HJC). ALT: JONES STEPHENS CORP D50-077.
- P-38 HOT WATER CIRCULATING PUMP: TACO MODEL 006-5C7-IFC, 1/2" UNION CONNECTIONS, INTEGRAL FLOW CHECK, ELECTRICITY TO PROVIDE AND WIRE PLUG AND CORD, 1/40 HP, 3 GPM AT 7 FT TOTAL DYNAMIC HEAD. PROVIDE CONTROL WIRING AND HONEYWELL MODEL L6006C1018 110 VAC AQUA-STAT, WITH ADJUSTABLE SETPOINT, MOUNTED DIRECTLY ON PIPE (ALL PROVIDED BY HJC). SET SHUT-OFF TEMPERATURE AT 130 DEG F.
- P-39 2" PRESSURE REDUCING VALVE: WATTS NO. #LF223-SB WITH BUILT-IN BYPASS FEATURE (PROVIDED BY HJC). SET NO FLOW CONDITION AT 70 PSI. ALT: (ZRN) SERIES 500XLYSBR.
- P-40 WYE STRAINER WITH #100 SCREEN: WATTS LF7775M3-2, BRONZE WYE STRAINER WITH THREADED CONNECTION AND TAPPED RETAINER CAP. PROVIDE #100 MESH SCREEN. PROVIDE WATTS 1/2" LFB-1C BRASS BOILER DRAIN WITH BRASS STREET 90 DEGREE ELBOW, MALE END SIZED FOR CONNECTION TO WYE STRAINER RETAINER CAP OUTLET TAP. (ALL PROVIDED BY HJC.)
- P-41H DISHWASHER SUPPLY VALVE (HOBART): FULL-PORT LEAD-FREE STAINLESS STEEL BALL VALVE WITH SPLIT-RING BRACKET, CHROME FITTINGS, PIPE NIPPLES AND ESCUTCHEON AS DETAILED ON 2/P-302.
- P-42 EMERGENCY EYEWASH: ACORN MODEL S0660-RH AND BRADLEY S19-2000-EFX8RB THERMOSTATIC TEMPERING VALVE (PROVIDED BY HJC). ANSI Z358.1 CERTIFIED FOR EMERGENCY FIXTURES. ASSE 1071 COMPLIANT, WITH DIAL THERMOMETER, INLET CHECK STOPS, ADJUSTABLE SETPOINT, ACCURATE WHITIN +/- 3 DEG F. INCLUDES INTEGRAL COLD WATER BYPASS WITH POSITIVE HOT WATER SHUT-OFF WHEN COLD WATER SUPPLY IS LOST. FACTORY SETPOINT OF 85 DEG F. MOUNTING BRACKET INCLUDED. FACTORY ASSEMBLED AND TESTED. ROUGH BRASS FINISH. NO SUBSTITUTIONS. CONTACT CHICK-FIL-A NATIONAL ACCOUNTS AT HAYNES, JONES & CADBURY FOR PRICING AND DELIVERY.
- P-43 SUPPLY VALVE (RETHEMALIZER): FULL-PORT LEAD-FREE STAINLESS STEEL BALL VALVE (PROVIDED BY HJC) WITH SPLIT-RING BRACKET, CHROME FITTINGS, PIPE NIPPLES AND ESCUTCHEON AS DETAILED ON 3/P-302.
- P-50 WATER METER (IRRIGATION/DEDUCT): BADGER RECORDALL MODEL 70 LEAD FREE WITH DIAL DISPLAY MEASURED IN GALLONS. MAGNETIC DRIVE CAPABLE OF REMOTE READ OPTIONS. PROVIDE TAILPIECES AND UNION CONNECTIONS. APPROVE WITH LOCAL WATER AND SEWER DEPT'S PRIOR TO ORDERING METER.
- P-51 WATER METER (DOMESTIC SERVICE): BADGER RECORDALL MODEL 120 LEAD FREE WITH DIAL DISPLAY MEASURED IN GALLONS. MAGNETIC DRIVE CAPABLE OF REMOTE READ OPTIONS. PROVIDE TAILPIECES AND UNION CONNECTIONS. APPROVE WITH LOCAL WATER DEPT PRIOR TO ORDERING METER.



Chick-fil-A
5200 Buffington Road
Atlanta, Georgia
30349-2998

Kurzynske & Associates
 2705 Lebanon Pike - Suite One
 Nashville, Tennessee 37214
 Telephone: (615) 255-5203



CHICK-FIL-A
West Carmel FSU
9965 N MICHIGAN ROAD
CARMEL, IN 46032

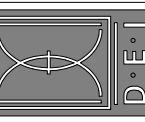
FSR#04978

BUILDING TYPE / SIZE: P14 LS LRG
 RELEASE: 22-08
 PRINTED FOR: CONSTRUCTION
 REVISION SCHEDULE
 NO. DATE DESCRIPTION
 03/24/23
 DRAWN BY: CAC
 (Information contained on this drawing and all digital information produced for above named project may not be reproduced in whole or in part without written or verbal consent from authorized project representatives)
PLUMBING SPECIFICATIONS
 SHEET NUMBER



Chick-fil-A
 5200 Buffington Road
 Atlanta, Georgia
 30349-2998

DICKERSON ENGINEERING, INC.
 Professional Electrical Engineers
 3343 AVONBYRIDGE AVENUE
 SUITE 100
 FARMERS BRANCH, GA 30204
 TEL: (404) 948-0210
 FAX: (404) 948-0214
 DEI: 22008-16



CHICK-FIL-A
WEST CARMEL FSU

9965 N. MICHIGAN ROAD
 CARMEL, IN 46032

FSR#04978

BUILDING TYPE / SIZE: P14 LS
 RELEASE: 22.08
 PRINTED FOR:

ISSUED FOR CONSTRUCTION

REVISION SCHEDULE
 NO. DATE DESCRIPTION

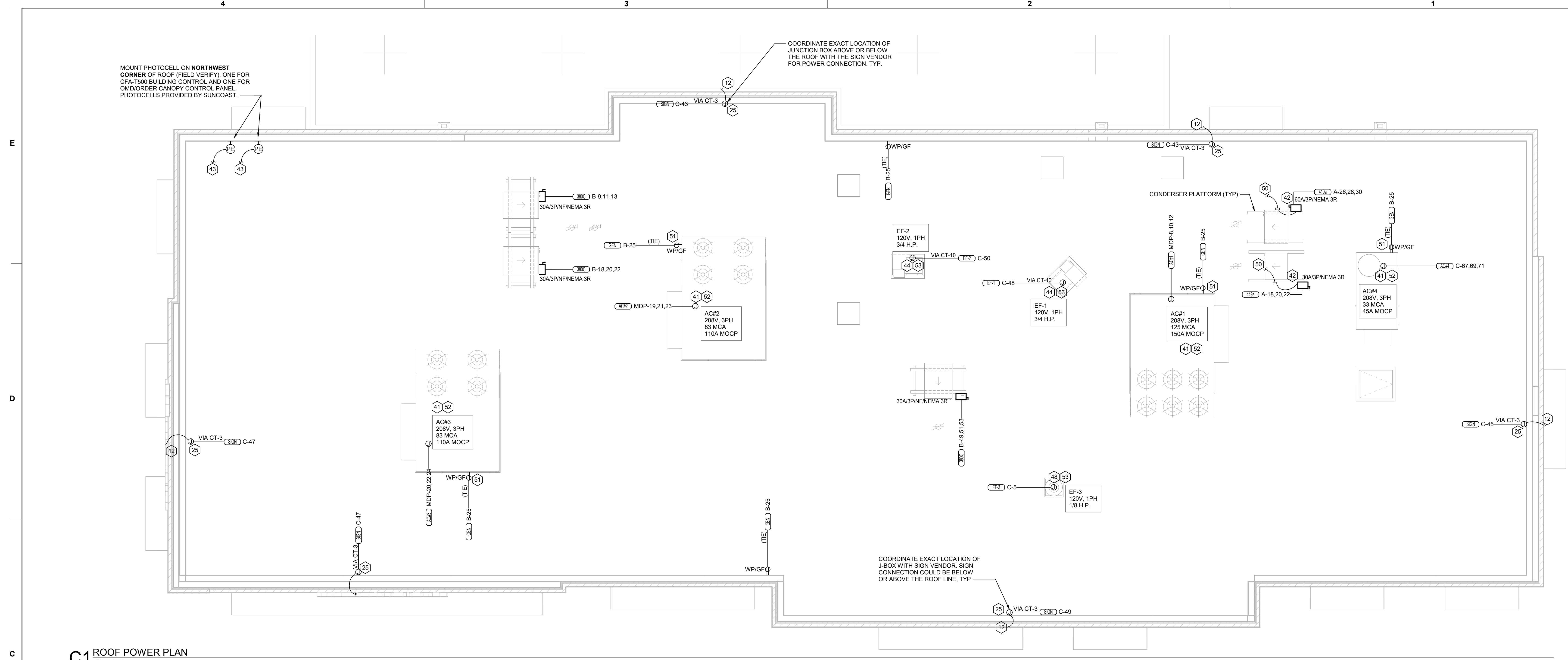
CONSULTANT PROJECT # 74250
 DATE 03/24/23

DRAWN BY Author
 Information contained on this drawing and all digital files produced for above named project may not be reproduced in any manner without express written or verbal consent from authorized project representatives.

ROOF POWER PLAN

SHEET NUMBER

E-250



C1 ROOF POWER PLAN
 1/4" = 1'-0"

ELECTRICAL KEYNOTES

- 12 FOR SIGNAGE BY OTHERS, CONNECT AS REQUIRED. GROUND ALL LOCATIONS IN ACCORDANCE WITH NEC AND MANUFACTURER'S REQUIREMENTS. SIGN IS FURNISHED WITH AN INTEGRAL PRE-WIRED DISCONNECTING MEANS.
- 25 ROUTE THROUGH CONTROL PANEL CFA-T500 AND CONTROLLED BY OCCUPIED SWITCH AND PHOTOCELL.
- 41 ROUTE ELECTRICAL CONDUITS TO UNIT CONNECTIONS THROUGH WEATHERPROOF RACEWAY FURNISHED WITH UNIT. COORDINATE WITH MECHANICAL CONTRACTOR FOR EXACT LOCATIONS.
- 42 MOUNT WEATHER-PROOF FUSED DISCONNECT SWITCHES FOR WIC AND WIF CONDENSERS ON UNISTRUT WITH CONDUIT DOWN INTO CEILING SPACE BELOW THRU ROOF PENETRATION DEVICE (NOT THRU ROOF). SEE THE ARCHITECTURAL ROOF PENETRATION DETAIL(S) FOR FURTHER INFORMATION. PROVIDE FUSE SIZE PER MANUFACTURER REQUIREMENTS.
- 43 CONNECT ONE PHOTOCELL ON ROOF TO THE CFA-T500 CONTROL PANEL TERMINALS AND ONE PHOTOCELL ON ROOF TO THE ORDER/OMD CANOPY CONTROL PANEL AS DIRECTED BY SUNCOAST ENVIRONMENTAL INC WIRING DIAGRAMS. PHOTOCELLS ON THE ROOF FURNISHED WITH CONTROL PANELS ORDER (SUNCOAST) AND INSTALLED BY CONTRACTOR.
- 44 COORDINATE EXACT LOCATION OF CONDUIT AND DISCONNECT AT EXHAUST FAN. CONDUIT SHALL BE INSTALLED THROUGH ROOF ON OUTSIDE OF FAN CURB. CONDUIT SHALL BE LOCATED AT FAN HINGE SUCH THAT THE FAN HOOD CAN BE FULLY HINGED OPEN AND NOT TOUCH THE CONDUIT. PROVIDE 1/4" DIAMETER LOOP IN THE FLEXIBLE CONDUIT BETWEEN THE ROOF AND THE FAN ELECTRICAL CONNECTION.
- 48 COORDINATE EXACT LOCATION OF CONDUIT AND DISCONNECT AT EXHAUST FAN. CONDUIT SHALL BE ROUTED WITH DUCTWORK WITHIN FAN ROOF CURB AND TO THE FAN WIREWAY. PROVIDE SEALTIGHT FITTINGS AS THE CONDUIT ENTERS AND LEAVES THE DUCTWORK. INTERLOCK WITH LIGHTING CIRCUIT IN RESTROOM. REFER TO THE LIGHTING PLAN FOR CONTINUATION.
- 50 CONNECT POWER FROM EACH CONDENSING UNIT'S COMPRESSOR CONTACTOR TO THE EVAPORATOR COIL UNIT'S JUNCTION BOX BELOW. REFER TO ENLARGED KITCHEN POWER PLAN FOR LOCATION.
- 51 CONTRACTOR SHALL PROVIDE A 120V GFCI TYPE 20 AMP CONVENIENCE RECEPTACLE WITH WP (WHILE-IN-USE) COVERPLATE MOUNTED TO THE KNOCKOUT PANEL OF THE UNIT AC UNIT.
- 52 A/C UNIT DISCONNECT IS FURNISHED WITH A/C UNIT AND SHALL BE CONNECTED BY THE CONTRACTOR.
- 53 EXHAUST FAN IS FURNISHED WITH A PREWIRED DISCONNECT.

POWER PLAN GENERAL NOTES

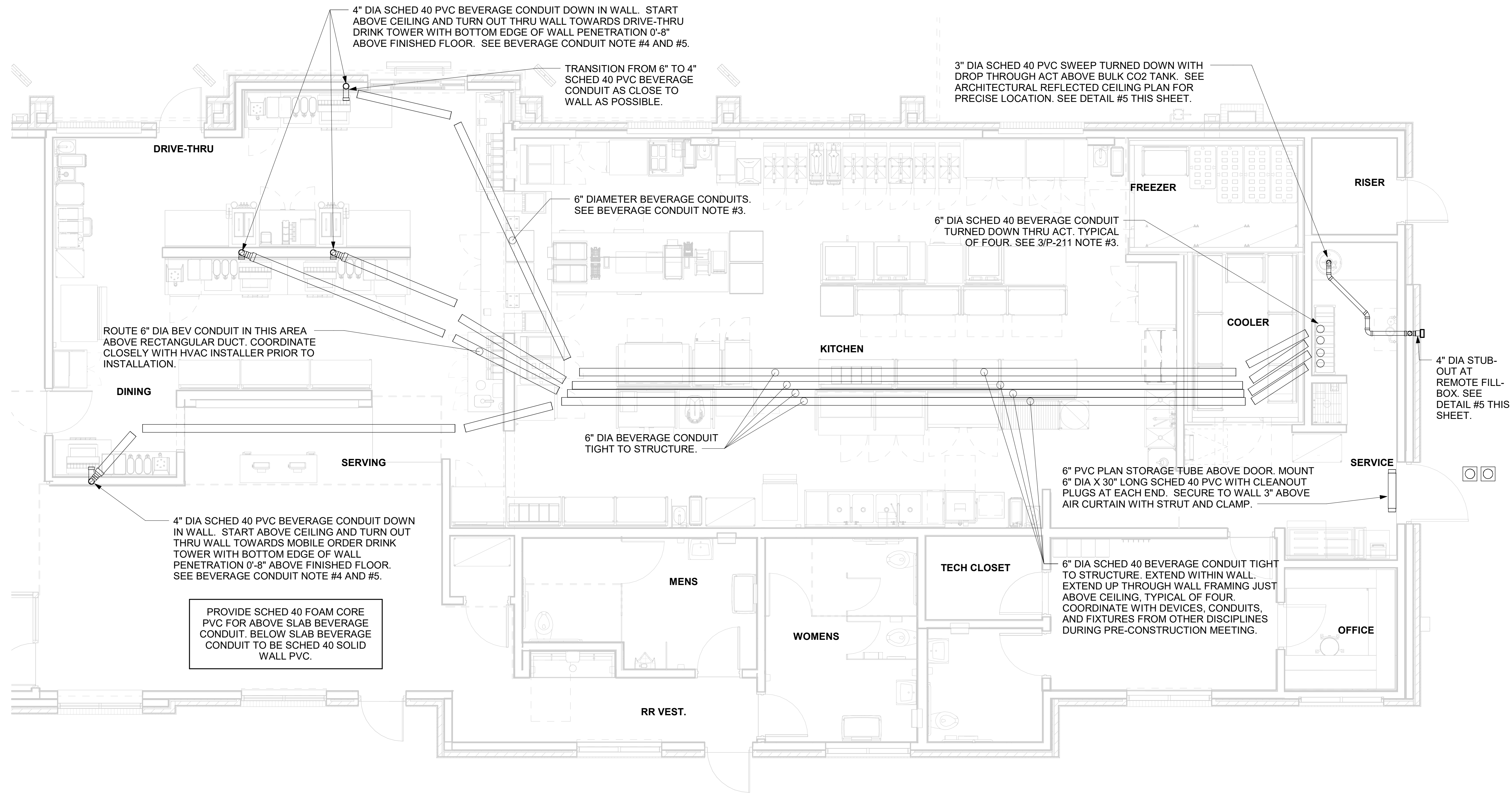
- A. ALL SECURITY, POS, MUSIC, COMMUNICATIONS, AND POWER ROUGH-IN SHALL BE INSTALLED DURING THE FRAMING/ROUGH-IN PHASE OF CONSTRUCTION.
- B. REFER TO KITCHEN EQUIPMENT SHEETS FOR EQUIPMENT ELECTRICAL ROUGH-IN ELEVATIONS ABOVE FINISHED FLOOR.
- C. ALL EMPTY CONDUITS SHALL BE PROVIDED WITH PULL STRING.
- D. PROVIDE INSULATED BUSHING AT TERMINATION POINTS OF ALL CONDUITS FOR LOW VOLTAGE WIRING.
- E. THE ELECTRICAL INSTALLER SHALL COORDINATE THE ROUTING OF ALL CONDUIT IN THE BUILDING WITH OTHER TRADES (SPECIFICALLY THE DUCTWORK INSTALLATION) TO AVOID CONFLICTS OF SPACE REQUIREMENTS IN WALLS AND CEILING SPACES.

NOTE: REFER TO MECHANICAL DRAWINGS FOR ROOFTOP PACKAGED AC UNIT SCHEDULE. ALL UNITS ARE FURNISHED WITH FACTORY INSTALLED DISCONNECT SWITCH. REFER TO SAME SCHEDULE FOR INDICATION OF UNITS FURNISHED WITH FACTORY RECEPTACLE FOR COMPLIANCE WITH NEC 210-63.

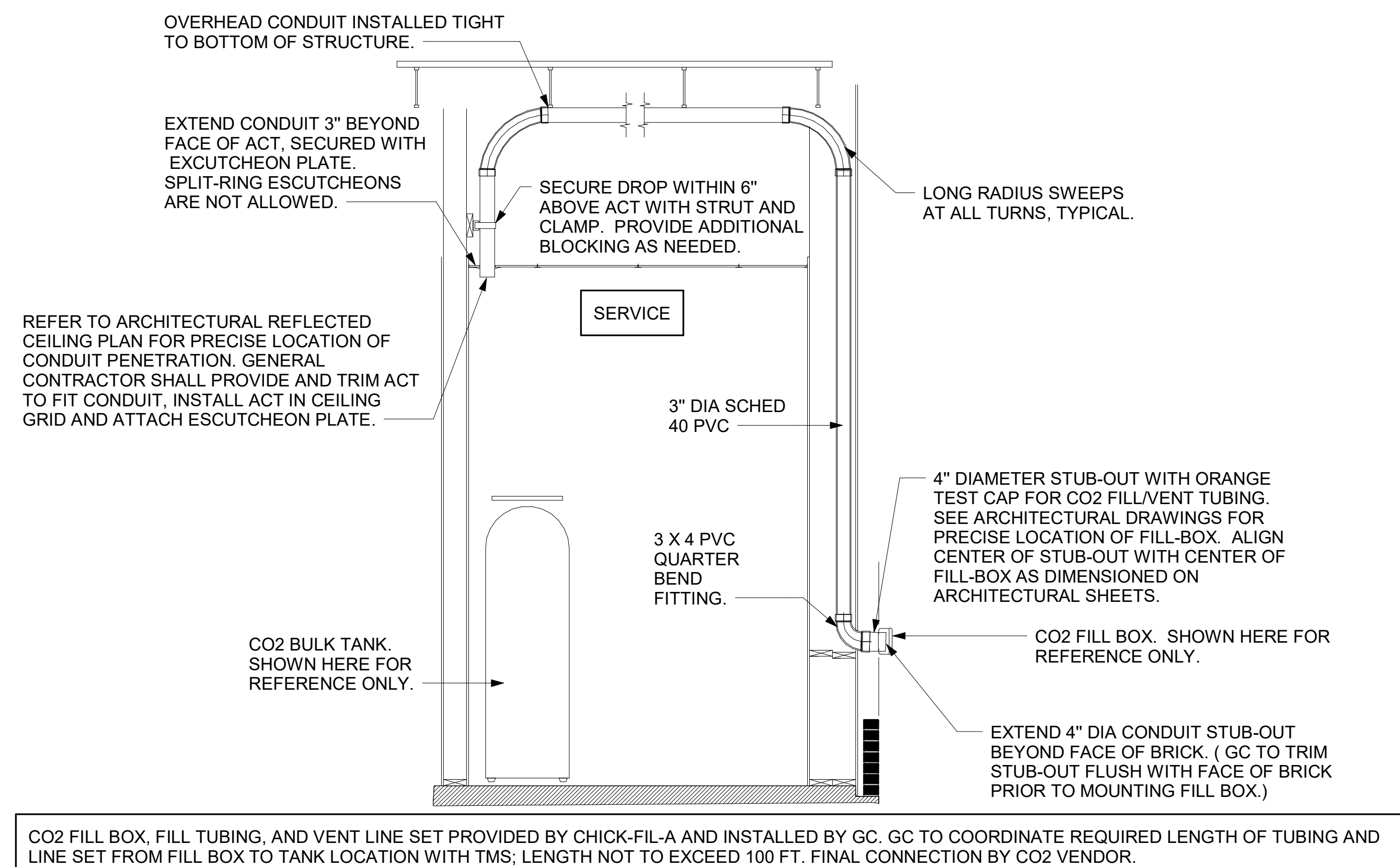
3/24/2023 9:39:37 AM Autodesk Docs://IN_04978_WestCarmel (N)FSU_2022.7_FSR04978_WestCarmel (N)FSU_ELE.rvt
 50-LS-04978-E-250-ROOF POWER PLAN

2. BEVERAGE CONDUIT NOTES

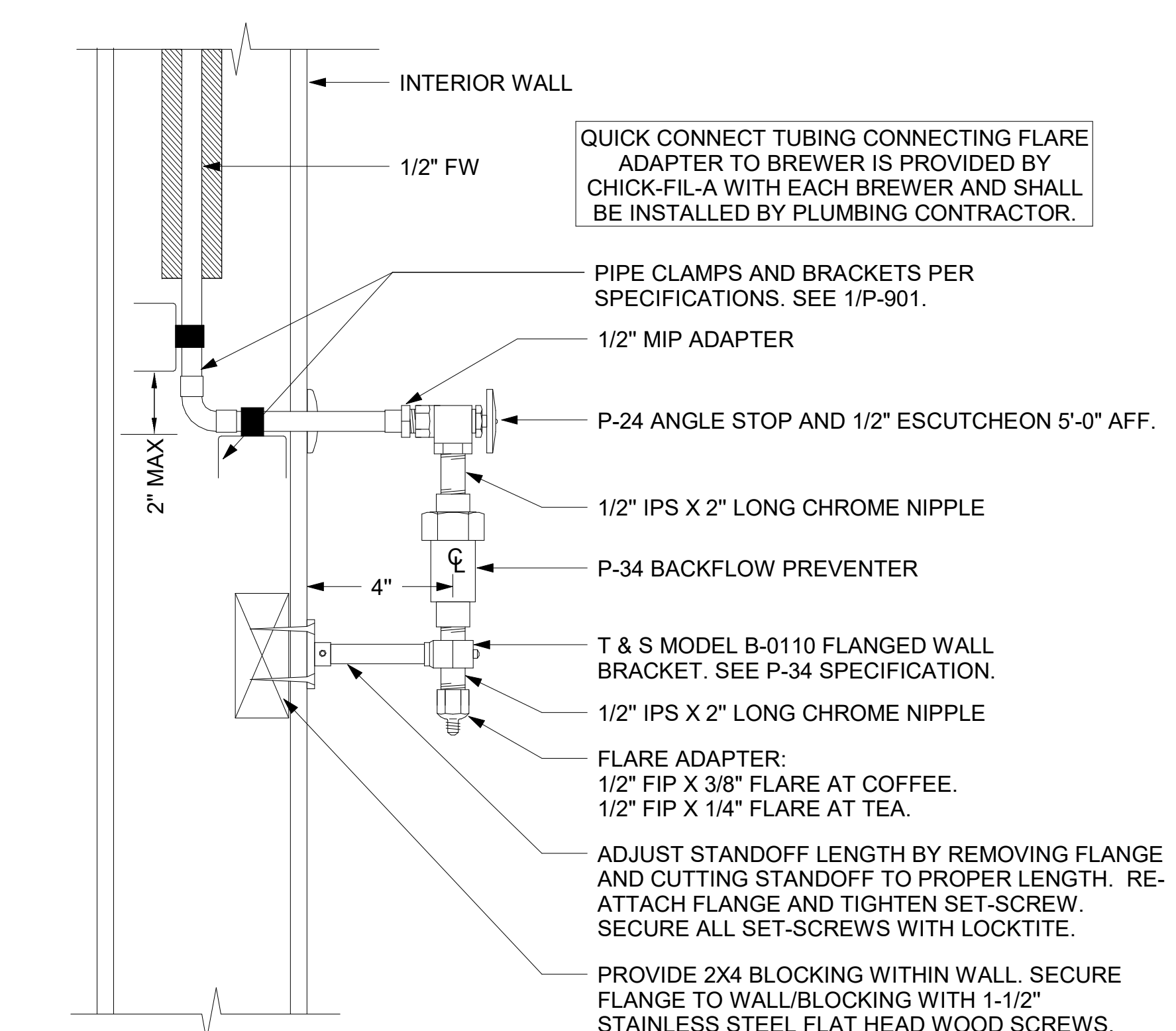
- ROUTE BEVERAGE SYSTEM PIPING OVERHEAD FROM THE BEVERAGE RACK TO DRINK TOWERS IN FOUR (4)-6" DIA SCH 40 PVC DWV CONDUITS. ALL CONDUIT SHALL BE HELD TIGHT TO STRUCTURE AND SUPPORTED WITH THREADED ROD AND CLEVIS HANGERS AT INTERVALS SHOWN IN SPECIFICATIONS FOR HORIZONTAL OVERHEAD PIPING. COORDINATE ROUTING WITH THE GENERAL CONTRACTOR TO AVOID MECHANICAL AND ELECTRICAL SYSTEMS. SEE 1/P-101 AND 1/P-221 FOR BELOW-SLAB BEVERAGE CONDUIT.
- COORDINATE ROUTING OF ALL CONDUITS WITH HVAC DUCT IN KITCHEN. SEE SHEET M-201 FOR LOCATION OF AC UNITS AND DUCT ROUTING.
- TURN THE 6" DIA CONDUIT DOWN THROUGH THE CEILING AT THE BEVERAGE RACK AND PROVIDE CHROMED ESCUTCHEONS AT CEILING PENETRATIONS. TERMINATE OPPOSITE END ABOVE CEILING WHERE SHOWN ON PLANS.
- AT 4" DIA CONDUIT DROP IN WALL, PROVIDE 1/8TH BEND FITTING WITH SHORT PIPE STUB AT BASE OF DROP. CUT STUB AND FITTING FLUSH WITH FINISHED WALL.
- FOR BEVERAGE CONDUIT DROPS AT WALLS WITH SHEATHING EXTENDED ABOVE THE CEILING, PROVIDE APPROPRIATE FITTING AT UPPER END OF CONDUIT DROP TO EXTEND CONDUIT THROUGH SHEATHING.
- INSTALL CONTINUOUS CONDUIT FROM CO2 FILL-BOX LOCATION TO BULK CO2 TANK AS SHOWN ON PLANS AND DETAILS. COORDINATE 4" CONDUIT WALL STUB INSTALLATION CLOSELY WITH GENERAL CONTRACTOR AND BRICK MASON. PRIOR TO COVERING UP OF CONDUIT, VERIFY WITH GENERAL CONTRACTOR THE FULL LENGTH OF FILL/VENT TUBING MAY BE INSTALLED AND SUBSEQUENTLY REMOVED FROM CONDUIT. SEE PLAN AND DETAIL #5 THIS SHEET.



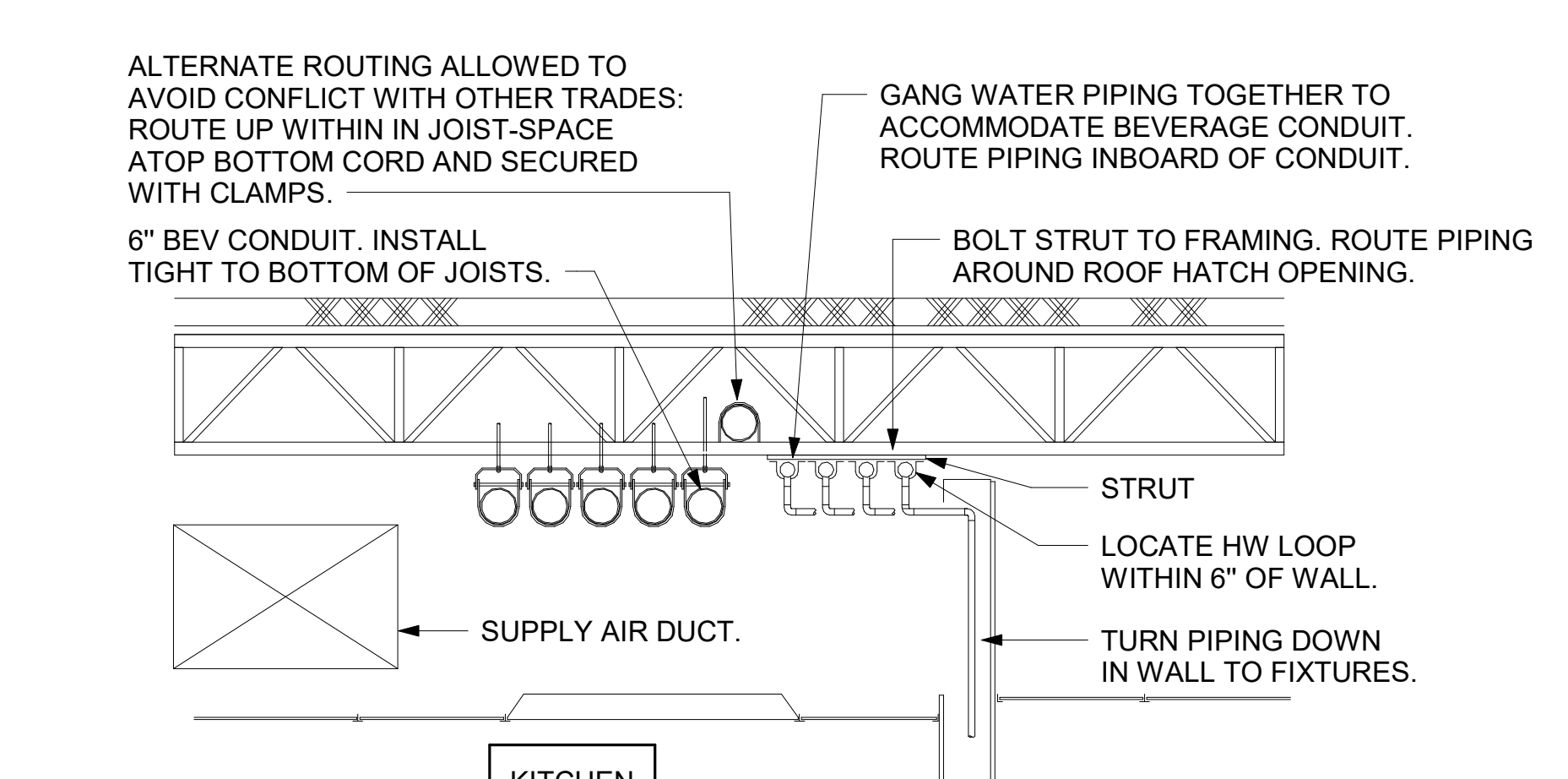
1 BEVERAGE CONDUIT PIPING PLAN
1/4" = 1'-0"



5 CO2 FILL/VENT CONDUIT AND FILL-BOX INSTALLATION
NOT TO SCALE



4 COFFEE & TEA BREWER STOP & BFP
1/4" = 1'-0"

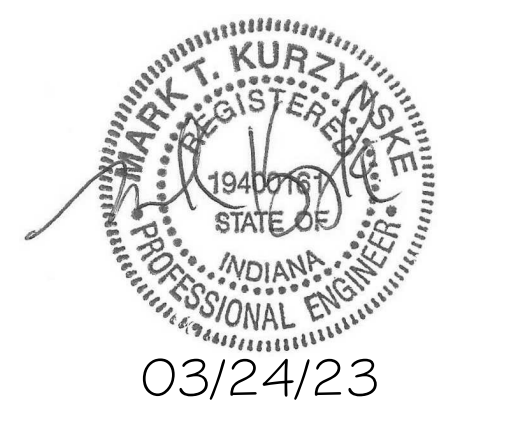


3 SECTION AT WET WALL
NOT TO SCALE



Chick-fil-A
Chick-fil-A
5200 Buffington Road
Atlanta, Georgia
30349-2998

Kurzynske & Associates
 2705 Lebanon Pike - Suite One
 Nashville, Tennessee 37214
 Telephone: (615) 255-5203



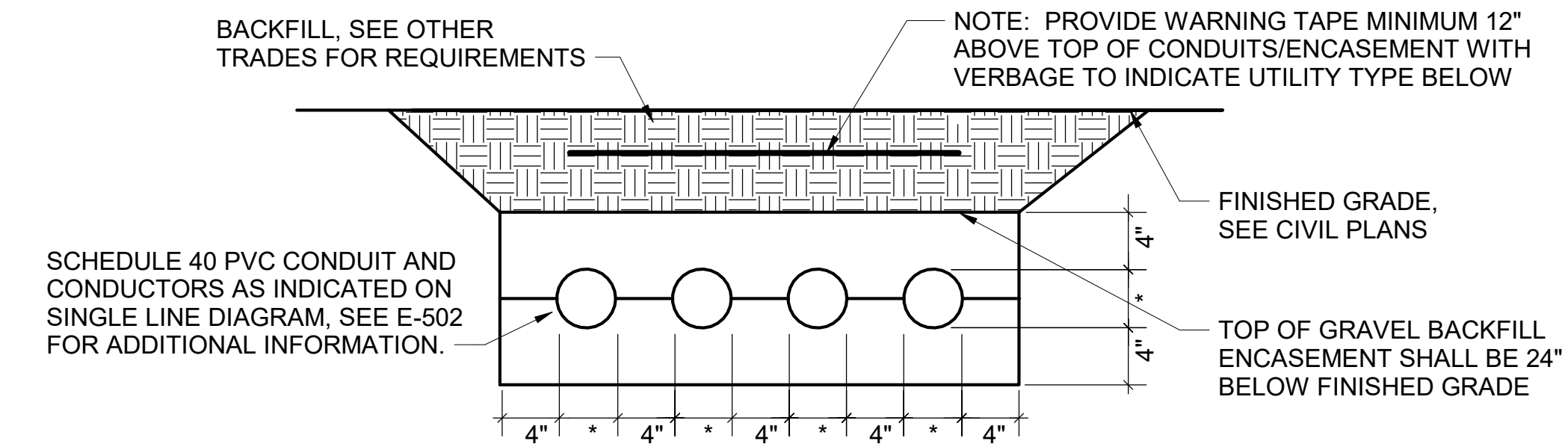
CHICK-FIL-A
West Carmel FSU
 9965 N MICHIGAN ROAD
 CARMEL, IN 46032

FSR#04978
 BUILDING TYPE / SIZE: P14 LS LRG
 RELEASE: 22.08
 PRINTED FOR: CONSTRUCTION
 REVISION SCHEDULE
 NO. DATE DESCRIPTION

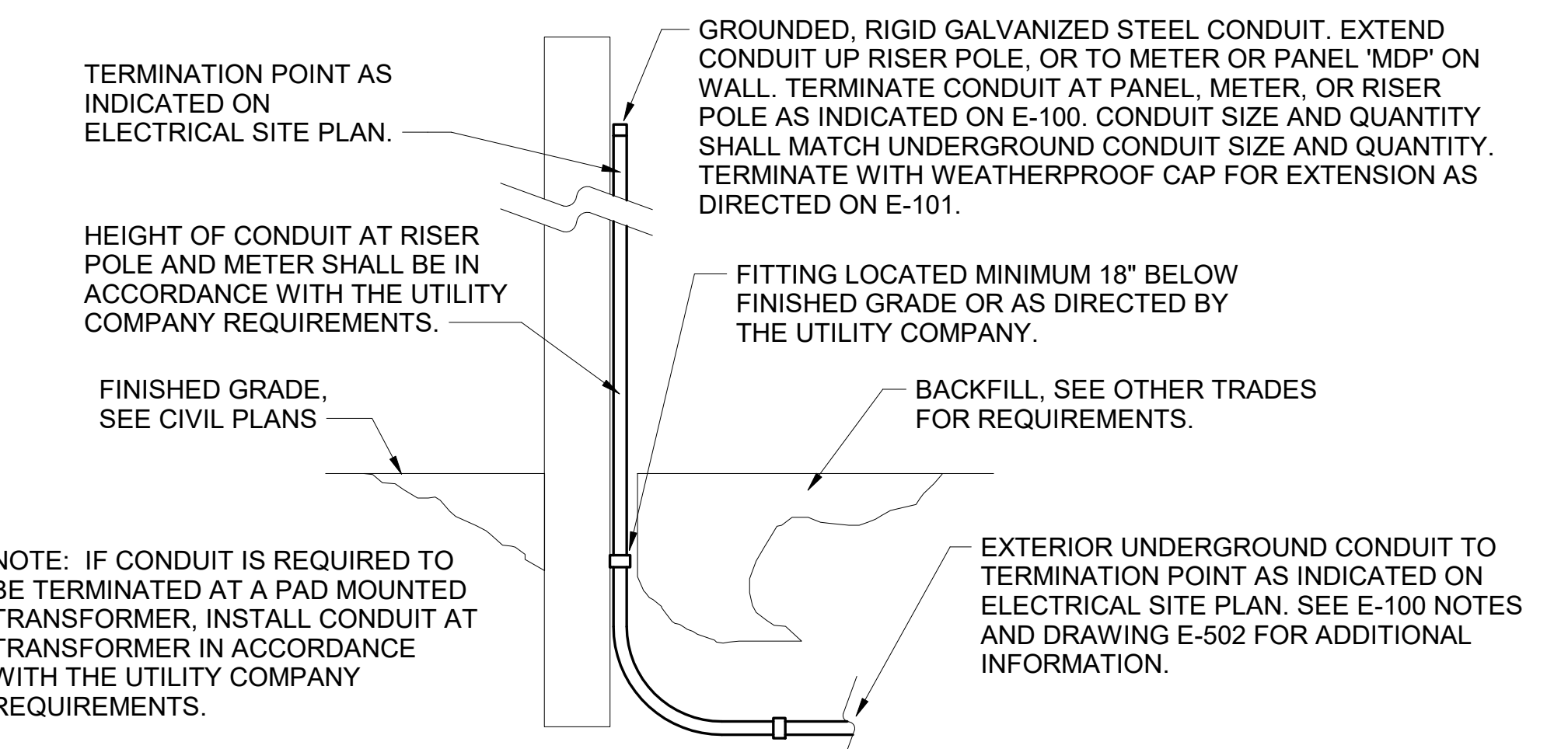
For Construction -
 CONSULTANT PROJECT # 22169.CD.S
 DATE 03/24/23
 DRAWN BY CAC
 Information contained on this drawing and all digital files produced for above named project may not be reproduced in any manner without express written or verbal consent from authorized project representatives.
BEVERAGE CONDUIT PLAN
 SHEET NUMBER

3/22/2023 4:52:35 PM Autodesk Docs://IN_04978_West Carmel (IN)FSU_2022.7_FSR04978_West Carmel (IN)FSU_PLB.rvt
 40-LS-04978-P-211-BEVERAGE CONDUIT PLAN

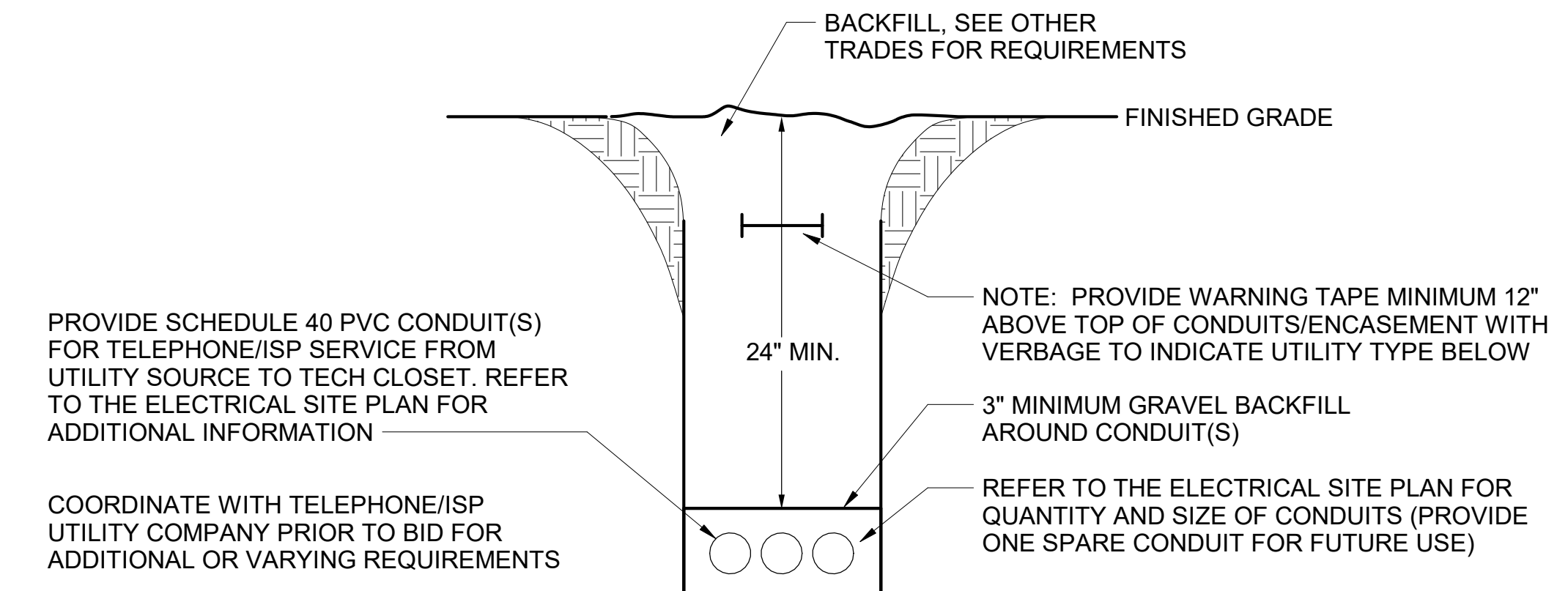
3/24/2023 9:38:33 AM Autodesk Docs://IN_04978_WestCarmel (N)FSU_2022.7_FSR04978_WestCarmel (N)FSU_ELE.rvt
50-LS-04978-E-101-ELECTRICAL SITE DETAILS



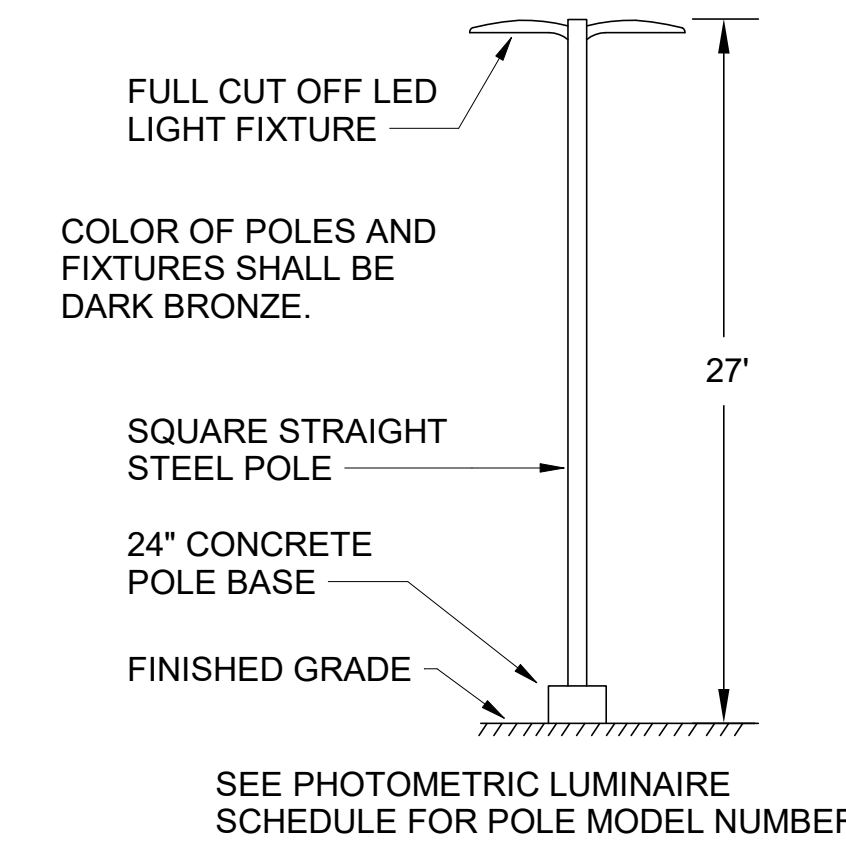
E1 ELECTRICAL SERVICE LATERAL CONDUIT DETAIL
N.T.S.



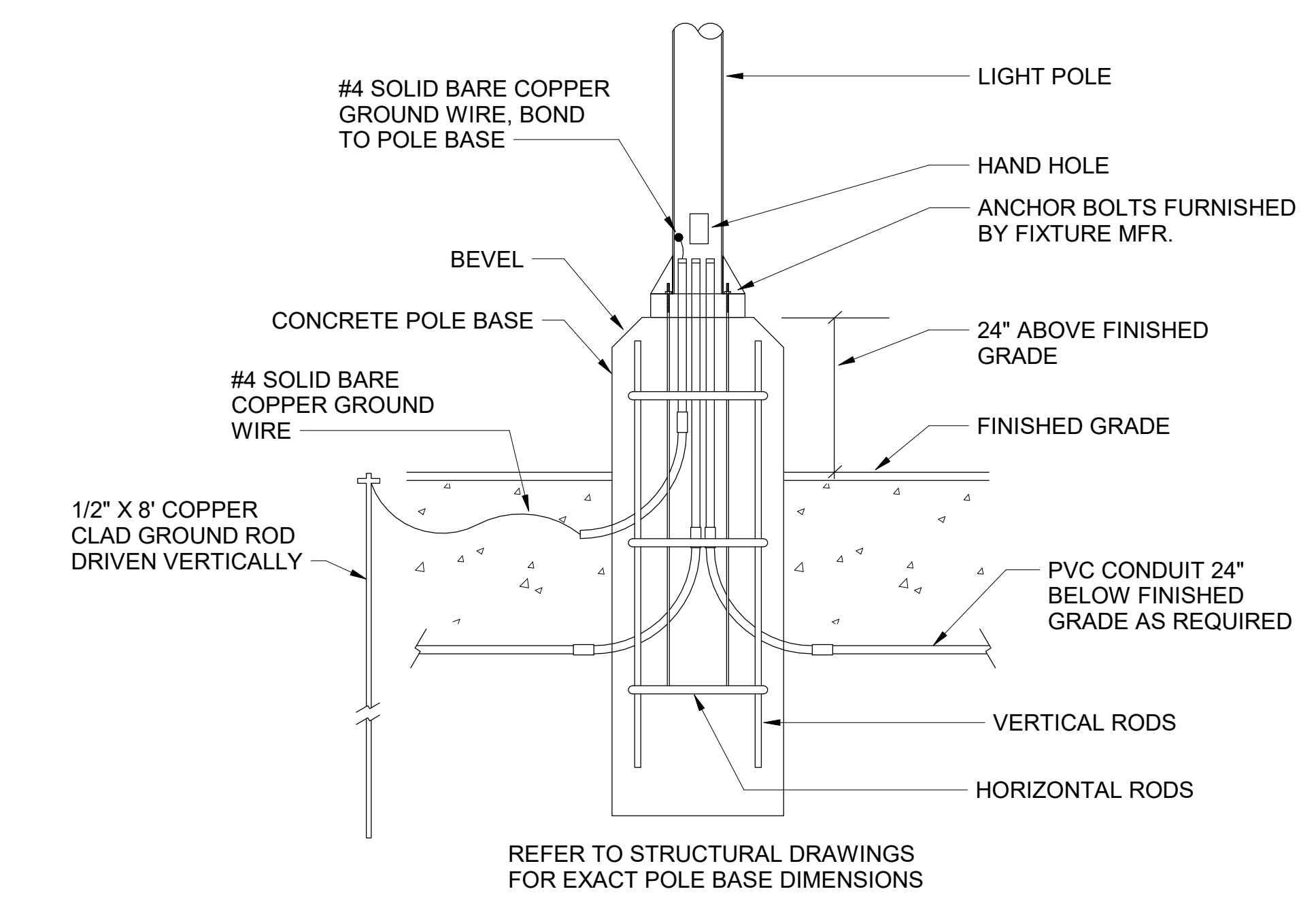
C1 EXTERIOR CONDUIT TURN UP DETAIL
N.T.S.



B1 TELEPHONE/ISP SERVICE CONDUIT DETAIL
N.T.S.



A3 SITE LIGHTING POLE DETAIL
N.T.S.



A1 TYPICAL LIGHT POLE BASE DETAIL
N.T.S.



Chick-fil-A
5200 Buffington Road
Atlanta, Georgia
30349-2998

DICKERSON ENGINEERING, INC.
Professional Electrical Engineers
3345 WOODBRIDGE AVENUE
ATLANTA, GA 30341
TEL: (404) 986-0020
FAX: (404) 986-0024
DEL 22008 16

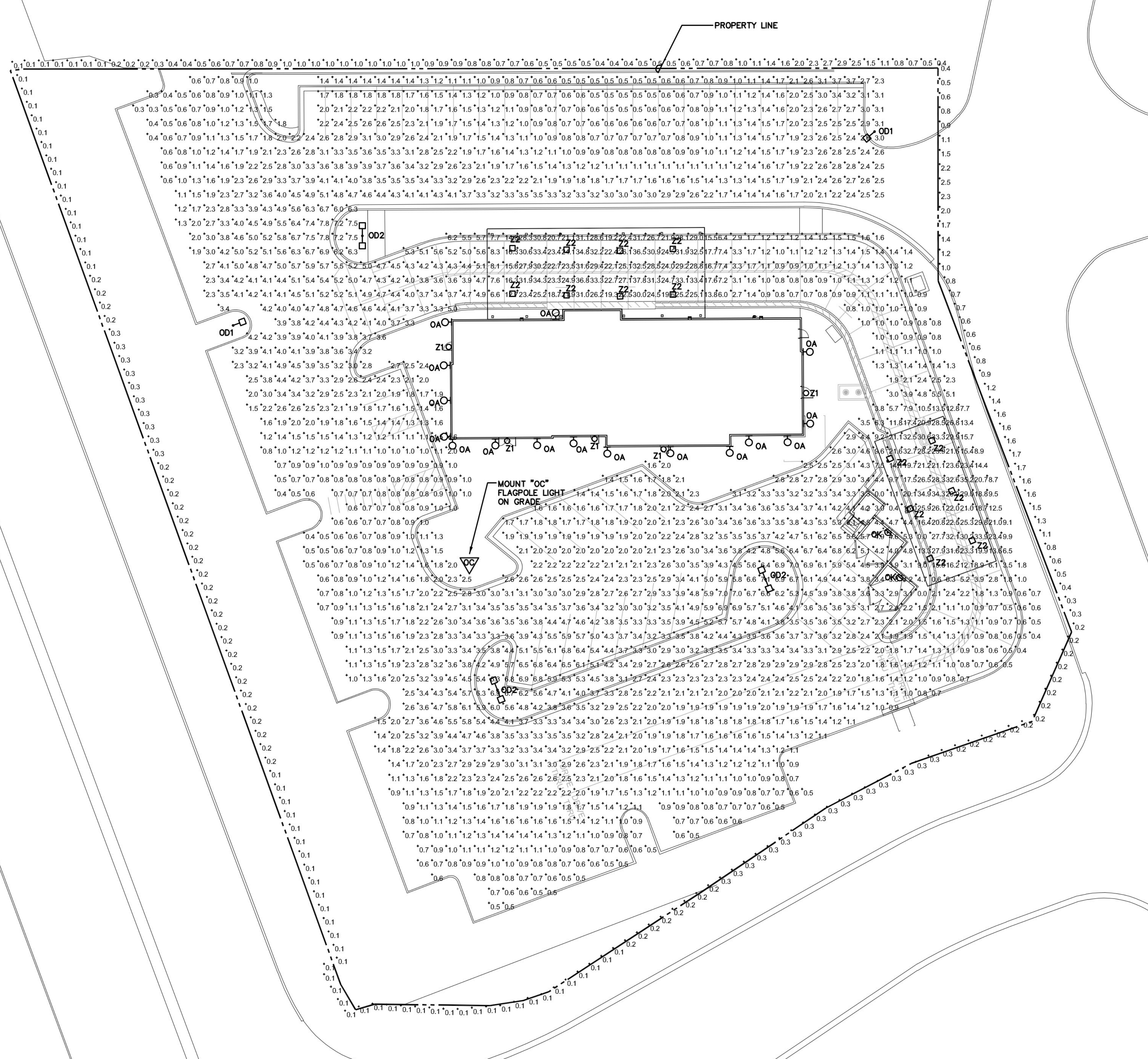
CHICK-FIL-A
WEST CARMEL FSU
9965 N. MICHIGAN ROAD
CARMEL, IN 46032

FSR#04978
BUILDING TYPE / SIZE: P14 LS
RELEASE: 22.08
PRINTED FOR:
ISSUED FOR CONSTRUCTION

REVISION SCHEDULE		
NO.	DATE	DESCRIPTION

CONSULTANT PROJECT #	74250
DATE	03/24/23
DRAWN BY	JR
Information contained on this drawing and in all digital files produced for above named project may not be reproduced in any manner without express written or verbal consent from authorized project representatives.	
ELECTRICAL SITE DETAILS	
SHEET NUMBER	

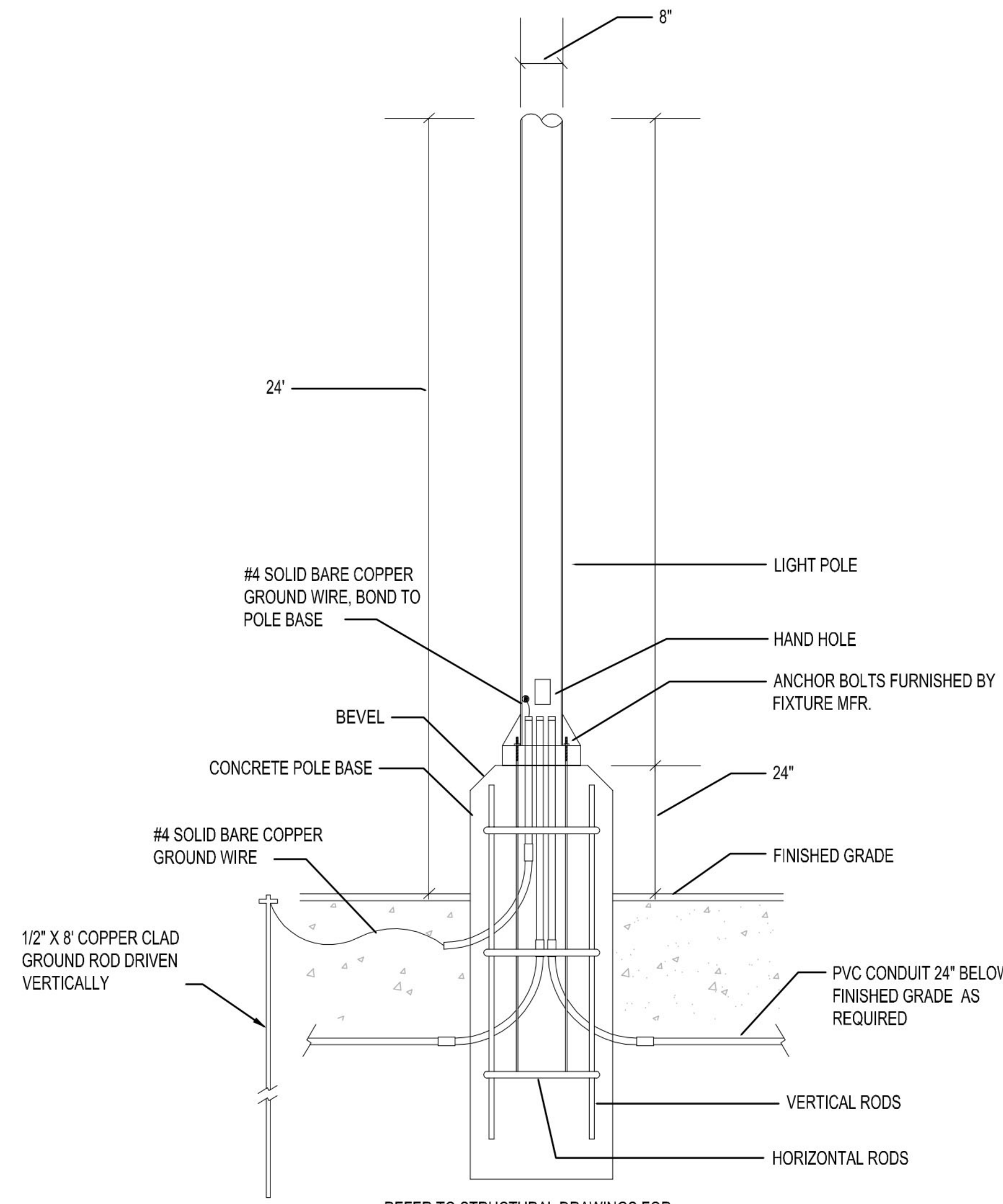
E-101



1 PHOTOMETRIC PLAN
SCALE: 1"=20'-0"

FIXTURE	HEIGHT (UNLESS NOTED OTHERWISE)	LIGHT LOSS FACTOR	COLOR	LIGHT FIXTURE SPECIFICATION	POLE	COMMENTS
OC	ON GRADE	.9	4000K	HUBBELL - FLL-42L-95-4K7-N-U-K-DB		
OD1	24'	.9	4000K	COOPER/LUMARK - PRV-A60D-UNV-T4-SA-BZ-7040	KW INDUSTRIES - SSP22-4.0-7-BRZ-DM10-BC (SINGLE LUMINAIRE)	
OD2	24'	.9	4000K	(2) COOPER/LUMARK - PRV-A60D-UNV-T4-SA-BZ-7040	KW INDUSTRIES - SSP22-4.0-7-BRZ-DM2180-BC (TWO LUMINAIRES)	
OA	8'	.9	3000K	PROGRESS LIGHTING - P5675-31 WITH TOP COVER LENS		
OK	8'	.9	3000K	HUBBELL - LNC-SLU-3K-3-1		
Z1	10'	.9	3000K	PROVIDED WITH CANOPY		
Z2	9.5'	.5	3000K	LSI - CRUS-SC-LED-LW30-UE-WHT		

PHOTOMETRIC STATISTICS (MAINTAINED) IN PARKING LOT (NOT INCLUDING UNDER CANOPY LIGHTING)	
AVERAGE	2.9 FC
MAX	7.5 FC
MIN	0.3 FC



2 TYPICAL POLE BASE DETAIL
NOT TO SCALE



Chick-fil-A
5200 Buffington Road
Atlanta, Georgia
30349-2998

DICKERSON ENGINEERING, INC.
Professional Electrical Engineers
3345 WORTH RIDGE AVENUE
N. WILMINGTON, NC 28403
TEL: (704) 968-0020
FAX: (704) 968-0024
DEL: 22008-16

CHICK-FIL-A
WEST CARMEL FSU
9965 N. MICHIGAN ROAD
CARMEL, IN 46032

FSR#04978
BUILDING TYPE / SIZE: P14 LS
RELEASE: 22.08
PRINTED FOR:
ISSUED FOR CONSTRUCTION

REVISION SCHEDULE		
NO.	DATE	DESCRIPTION

CONSULTANT PROJECT # 74250
DATE 03/24/23
DRAWN BY JR
Information contained on this drawing and in all digital files produced for above named project may not be reproduced in any manner without express written or verbal consent from authorized project representatives.
SITE PHOTOMETRIC PLAN
SHEET NUMBER
E-102

ELECTRICAL SITE PLAN KEYNOTES

(APPLIES TO THE ELECTRICAL SITE PLAN ONLY)

- PROPOSED LOCATION OF SECONDARY UNDERGROUND ELECTRICAL UTILITY LINES.
- PROPOSED LOCATION OF PAD MOUNTED TRANSFORMER FURNISHED BY THE ELECTRICAL UTILITY COMPANY. THE ELECTRICAL CONTRACTOR SHALL PROVIDE:
 - PROVIDE THREE 4" SCH. 40 PVC CONDUIT TO UTILITY SOURCE, AT MINIMUM 30" BELOW FINISHED GRADE AND IN ACCORDANCE WITH UTILITY COMPANY REQUIREMENTS. COORDINATE ALL REQUIREMENTS WITH THE UTILITY COMPANY PRIOR TO BID.
 - SECONDARY SERVICE LATERAL FROM UTILITY TRANSFORMER TO PANEL 'MDP' VIA THE CURRENT TRANSFORMER CABINET. SEE SHEET E-502, "SINGLE-LINE DIAGRAM". REFER TO "ELECTRICAL SERVICE LATERAL CONDUIT DETAIL", SHEET E-101, FOR ADDITIONAL INFORMATION.
 - CONCRETE PAD FOR UTILITY TRANSFORMER IN ACCORDANCE WITH UTILITY COMPANY REQUIREMENTS.
 - METERING CONDUIT. SEE NOTE-14.
- LOCATION OF TERMINATION OF SECONDARY SERVICE LATERAL AT PANEL 'MDP'. REFER TO "SINGLE-LINE
- PROVIDE TWO 2" SCH. 40 PVC CONDUIT (ONE IS A SPARE), MINIMUM 24" BELOW FINISHED GRADE, FOR TELEPHONE SERVICE FROM TELEPHONE UTILITY SOURCE TO JUNCTION BOX INSIDE THE BUILDING. REFER TO SHEET E-221 FOR LOCATION OF JUNCTION BOX IN SERVICE AREA. REFER TO "TELEPHONE SERVICE CONDUIT DETAIL", SHEET E-101, FOR ADDITIONAL INFORMATION. COORDINATE EXACT LOCATION OF UTILITY SOURCE WITH TELEPHONE UTILITY. TERMINATE CONDUITS AT UTILITY SOURCE AS REQUIRED BY THE UTILITY COMPANY.
 - PROVIDE ONE 3" SCH. 40 PVC CONDUIT, MINIMUM 24" BELOW FINISHED GRADE, FOR ISP SERVICE FROM UTILITY SOURCE TO JUNCTION BOX INSIDE THE BUILDING. REFER TO SHEET E-221 FOR LOCATION OF JUNCTION BOX IN BUILDING. REFER TO "TELEPHONE SERVICE CONDUIT DETAIL", SHEET E-101, FOR ADDITIONAL INFORMATION. COORDINATE EXACT LOCATION OF UTILITY SOURCE WITH SERVICE SUPPLY COMPANY. TERMINATE CONDUITS AT AS REQUIRED BY THE UTILITY COMPANY.
- LOCATION OF DUMPSTER. REFER TO "REFUSE ENCLOSURE PLAN - ELECTRICAL", SHEET E-303 FOR ELECTRICAL REQUIREMENTS IN THIS AREA.
- REFER TO SHEET E-303 FOR ELECTRICAL REQUIREMENTS AT MENU BOARD, DRIVE-THRU CANOPY, AND PRESELL MENU BOARD.
- REFER TO SHEETS E-901, & E-902 FOR ELECTRICAL SPECIFICATIONS PERTAINING TO ELECTRICAL WORK DESCRIBED ON THIS SHEET.
- REFER TO SHEET E-211 FOR LIGHTING FIXTURE SCHEDULE.
- PROVIDE UNDERGROUND CONDUIT TO JUNCTION BOX IN OFFICE FOR POLE MOUNTED SECURITY CAMERA. REFER TO SHEET E-302 FOR LOCATION OF JUNCTION BOX IN OFFICE AND REQUIRED SIZE OF CONDUIT. COORDINATE EXACT CAMERA LOCATION WITH CHICK-FIL-A SECURITY SYSTEM REPRESENTATIVE PRIOR TO ROUGH-IN.
- CONNECT SITE LIGHTING CIRCUITS TO TERMINAL BLOCKS LOCATED IN THE "CFA-T500" CONTROL PANEL (TYPICAL). SEE PANEL SCHEDULES ON SHEET E-501.
- CONNECT SITE SIGNAGE CIRCUITS TO TERMINAL BLOCKS LOCATED IN THE "CFA-T500" CONTROL PANEL (TYPICAL). SEE PANEL SCHEDULES ON SHEET E-501. COORDINATE LOCATIONS OF ALL SIGNS WITH CHICK-FIL-A REPRESENTATIVE PRIOR TO BID AND PRIOR TO CONDUIT INSTALLATION.
- PROVIDE GFCI TYPE WEATHERPROOF RECEPTACLE MOUNTED ON MAIN SIGN SUPPORT +14" AFG. THIS RECEPTACLE SHALL NOT BE SWITCHED. (BYPASS THE CONTACTOR AND SIGN'S DISCONNECT SWITCH.)
- PROVIDE WEATHERPROOF 20A SPST TOGGLE SWITCH 18" AFG AND CONNECTION TO MAINTENANCE DISCONNECT SWITCH FOR MAIN I.D. SIGN.
- PROPOSED LOCATION OF BUILDING MOUNTED ELECTRICAL UTILITY METER. METER BASE WILL BE FURNISHED BY THE UTILITY COMPANY AND INSTALLED BY THE CONTRACTOR. THE CURRENT TRANSFORMER CABINET SHALL BE FURNISHED AND INSTALLED ON THE BUILDING BY THE CONTRACTOR. THE CONTRACTOR SHALL ALSO FURNISH AND INSTALL A 1-1/4" RIGID GALVANIZED CONDUIT BETWEEN METER BASE AND CURRENT TRANSFORMER CABINET. COORDINATE LOCATIONS AND REQUIREMENTS WITH ELECTRIC UTILITY COMPANY PRIOR TO BID.
- PROVIDE A 12' POLE FOR MOUNTING OF SECURITY CAMERA. POLE TO MATCH SITE LIGHTING POLES IN STYLE AND COLOR.

GENERAL ELECTRICAL SITE PLAN NOTES

(APPLIES TO THE ELECTRICAL SITE PLAN ONLY)

- VERIFY WITH LOCAL AUTHORITIES AND UTILITIES THAT OWNER'S SIGNS, POLES, AND THEIR APPURTENANCES ARE NOT LOCATED ON OR OVER ANY EASEMENT OR MUNICIPAL RIGHT OF WAY.
- SITE WORK, UTILITY, AND ROADWAY INFORMATION ARE TAKEN FROM BOUNDARY AND TOPO SURVEY SITE PLANS. REFER TO C-DRAWINGS.
- MINIMUM CONDUIT SIZE SHALL BE 3/4" C. MINIMUM CONDUCTOR SIZE SHALL BE #10AWG COPPER UNLESS OTHERWISE NOTED.
- REFER TO BUILDING ELECTRICAL DRAWINGS FOR EXTERIOR LIGHTING CONTROL.
- FOR WORK UNDER THIS DIVISION, ELECTRICAL CONTRACTOR SHALL PROVIDE AND INSTALL ONLY NEW AND U.L. LABELED ELECTRICAL EQUIPMENT, UNLESS INDICATED OTHERWISE BY THE CONTRACT DOCUMENTS.
- FOR WORK UNDER THIS DIVISION, ELECTRICAL CONTRACTOR SHALL CONTACT ALL UTILITIES FOR VERIFICATION AND IDENTIFICATION OF ALL UNDERGROUND RUNS, PRIOR TO SITE TRENCHING ("CALL BEFORE YOU DIG").
- FOR WORK UNDER THIS DIVISION, ELECTRICAL CONTRACTOR SHALL PERFORM ALL WORK IN STRICT ACCORDANCE WITH THE CURRENT EDITION OF THE NATIONAL ELECTRIC CODE (NFPA 70), AND THE LIFE SAFETY CODE (NFPA 101), AS ADOPTED AND/OR AMENDED BY STATE AND LOCAL AUTHORITIES HAVING JURISDICTION.
- FOR WORK UNDER THIS DIVISION, ELECTRICAL CONTRACTOR SHALL COORDINATE AND FIELD VERIFY LOCATIONS OF ALL UTILITY SERVICE RUNS, ORIGINATIONS, TERMINATIONS AND ANY INSTALLATION REQUIREMENTS (i.e. ELECTRICAL, TELEPHONE, WATER, GAS, SEWAGE, ETC.), AS RELATED TO THIS JOB, OR THEREBY EFFECTED.

POWER/TELEPHONE UTILITIES:

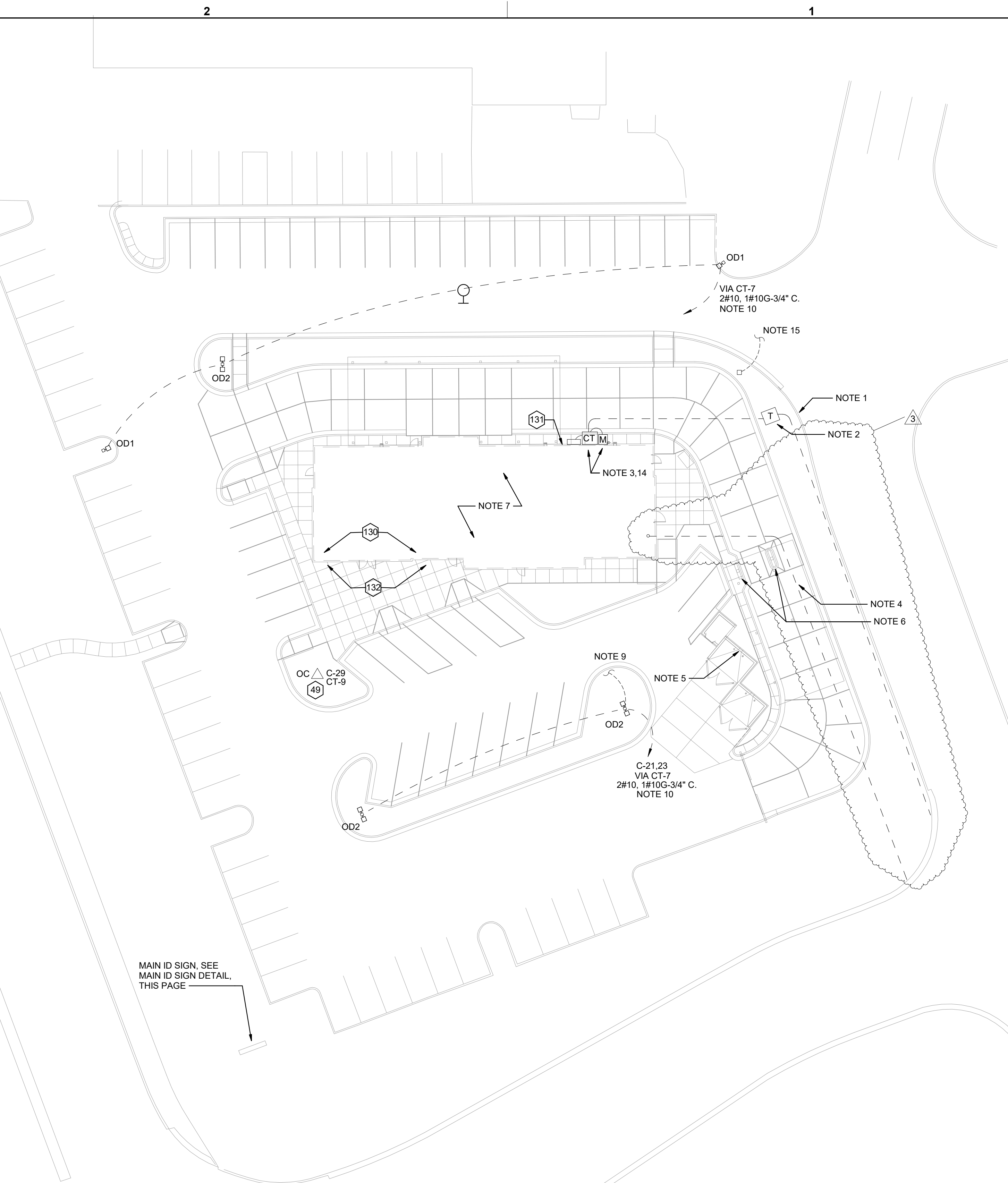
COORDINATE AND COMPLY WITH ALL TELEPHONE AND ELECTRICAL UTILITY REQUIREMENTS. THE FOLLOWING PERSONS SHALL BE CONTACTED FOR SPECIFIC UTILITY COMPANY REQUIREMENTS:

ELECTRICAL UTILITY: RODNEY JOHNSON
AES INDIANA
(317) 261-5047
RODNEY.JOHNSON@AES.COM

TELEPHONE UTILITY: CINDY HUFFMAN/ WENDY NOBLE
AT&T
(317) 610-5436
CG1841@ATT.COM/ WL807S@ATT.COM

C1 ELECTRICAL SITE PLAN

1" = 20'-0"



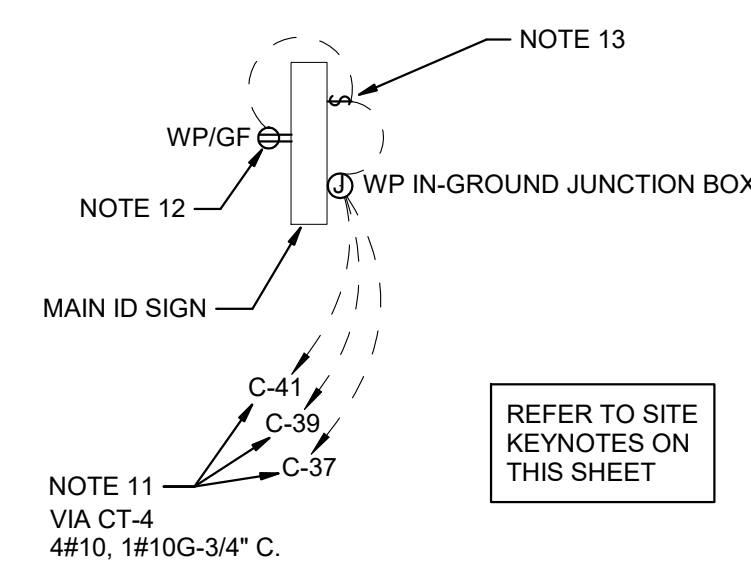
MAIN ID SIGN. SEE
MAIN ID SIGN DETAIL,
THIS PAGE

ELECTRICAL KEYNOTES

- MOUNT TYPE 'OC' LIGHTING FIXTURE, WITH INTEGRAL SLIPFITTER, ON PIPE. PIPE WILL BE PROVIDED BY OTHER TRADES. AIM LIGHTING FIXTURE AT NIGHT FOR BEST ILLUMINATION OF FLAG.
- LOCATION OF A 360 DEGREE BUILDING MOUNTED EXTERIOR CAMERA (BY OTHERS). PROVIDE A 3/4" CONDUIT AT 9'-4" AFF TO AN EXTERIOR WALL MOUNTED WP JUNCTION BOX WITH THE CONDUIT ABOVE THE INTERIOR CEILING AND EXTENDED TO AN ACCESSIBLE CEILING AREA FOR CAMERA CABLES BY OTHERS.
- PROVIDE AN EXTERIOR DUPLEX 120V, 20A RECEPTACLE AT 18" AFF WITH 'IN-USE' STYLE LOCKABLE WP COVER AND CONNECT TO A GENERAL PURPOSE 120V RECEPTACLE CIRCUIT.
- PROVIDE A JUNCTION BOX ON THE INSIDE PARAPET WALL ABOVE THE ROOF WITH A 3/4" CONDUIT STUBBED DOWN INTO AN ACCESSIBLE CEILING SPACE AREA BELOW FOR THE OWNER PROVIDED WI-FI EXTERIOR ANTENNAE.

ELECTRICAL SITE PLAN SYMBOLS

SYMBOL	DESCRIPTION (UNLESS OTHERWISE NOTED ON PLANS)
	UTILITY COMPANY TRANSFORMER, (208 VOLT, 3 PHASE, 4 WIRE SECONDARY)
	S.P.S.T. LIGHT SWITCH (600V AC QUIET TYPE)
	GROUND FAULT CIRCUIT INTERRUPTER DUPLEX RECEPTACLE
	CONDUIT HOMERUN TO PANEL
	JUNCTION BOX (SINGLE GANG STEEL WHERE WALL MOUNTED, 4" SQ. STEEL WHERE CEILING MOUNTED, UNLESS NOTED OTHERWISE)
	CONDUIT BURIED BELOW GRADE
	POLE MOUNTED SITE LIGHTING FIXTURE.



A2 MAIN ID SIGN DETAIL

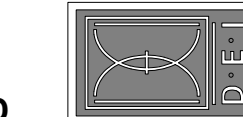
N.T.S.



Chick-fil-A

Chick-fil-A
5200 Buffington Road
Atlanta, Georgia
30349-2998

DICKERSON ENGINEERING, INC.
Professional Electrical Engineers
1345 WINDY RIDGE AVENUE
COLUMBUS, GA 31906
TEL: (478) 986-0020
FAX: (478) 986-0024
DEI: 22008-16



CHICK-FIL-A
WEST CARMEL FSU
9965 N. MICHIGAN ROAD
CARMEL, IN 46032

FSR#04978

BUILDING TYPE / SIZE: P14 LS
RELEASE: 22.08
PRINTED FOR

ISSUED FOR CONSTRUCTION

REVISION SCHEDULE		
NO.	DATE	DESCRIPTION
3	03/24/23	ISSUED FOR CONSTRUCTION

CONSULTANT PROJECT # 74250
DATE 03/24/23

DRAWN BY JR
Information contained on this drawing and in all digital files produced for above named project may not be reproduced in any manner without express written or verbal consent from authorized project representatives.

ELECTRICAL SITE PLAN

SHEET NUMBER

E-100

SECTION C16124 SUPPORTING DEVICES AND HANGERS

PART 1 - PRODUCTS

- 1.01 ACCEPTABLE MANUFACTURERS
A. Supporting devices and hangers shall be manufactured by RACO Fasteners, or approved equivalent.

PART 2 - EXECUTION

- 2.01 INSTALLATION
A. Secure conduits to within 3' of each outlet box, junction box, cabinet, fitting, etc., and at intervals not to exceed ten feet (10') and in accordance with the National Electric Code.
B. Install clamps secured to structure for feeder and other conduits routed against the structure.
C. Provide and install suitable angle iron, channel iron or steel metal framing with accessories to support or brace electrical equipment including safety switches, fixtures, panelboards, etc.
D. Use of chains, perforated iron, baling wire, or tie wire for supporting conduit runs is not permitted.
E. For support of low voltage wiring not required to be in conduit, bundle cables together in a neat manner using approved nylon tie wraps.
F. Provide a system of supporting devices and hangers to insure secure support or bracing for conduit, electrical equipment, including safety switches, fixtures, panelboards, outlet boxes, junction boxes, cabinets, etc.

SECTION C16140 WIRING DEVICES AND PLATES

PART 1 - PRODUCTS

- 1.01 WALL SWITCHES
A. Ratings: 20 amps, 120/277 volts a.c. or as identified on drawings.
B. Devices: (Cooper/Arrow Hart catalog numbers are listed unless noted otherwise)
1. Single pole toggle switches: 20 AMP device - #AH1221-GY (Kitchen) or #AH1221-B (Dining)
2. Double pole toggle switches: 20 AMP device - #AH1222-GY (Kitchen) or #AH1222-B (Dining)
3. Three-way toggle switches: 20 AMP device - #AH1223-GY (Kitchen) or #AH1223-B (Dining)
C. Devices: (Cooper/Arrow Hart catalog numbers are listed unless otherwise noted)
1. Specification grade devices to be 20 amp, 125 volts, a.c. receptacles:
a. Single (simplex) device: #1877-GY (Kit) or #1877-B (Dining)
b. Duplex device: #CR20-GY (Kitchen) or #CR20-B (Dining)
c. Tamper resistant duplex device: #TRCR20-B or #TR7756-B (with USB charging)
d. GF (ground-fault circuit interrupter) duplex device: #VGF20-GY (Kitchen) or #VGF20-B (Dining)
e. IG (isolated ground) duplex device: #IG5362-RN (orange face)
D. Color:
1. Devices mounted in the FRP or tile shall be gray.
2. Devices mounted in wood finish shall be brown.
3. Isolated ground receptacles shall be orange.

1.03 SPECIAL DEVICES

- A. Manual motor starter switch: SQ. D Class 2510, Type F, for use on motors up to 3/4 horsepower. Provide NEMA 1 enclosure in dry locations; provide NEMA 3R enclosure in wet or exterior locations.

1.04 WALL PLATES

- A. Provide blank plates on all outlet boxes for future outlets, or outlets without devices. Plate style shall match device plates.
B. Provide non-metallic weatherproof covers for duplex GF receptacles located outside or in wet locations that feature "while-in-use" cover equivalent to Arrow Hart #WU-1.
C. Where devices installed in exposed boxes or conduit fittings; provide properly designed plates and covers equal to Arrow Hart RS-Series exposed work covers.
D. Install galvanized steel plates on outlet boxes and junction boxes in unfinished areas, above accessible ceilings, and on surface mounted boxes.
E. Color:
1. Wall plates mounted in FRP or tile shall be smooth satin stainless steel 302-ss series.
2. Wall plates mounted in wood finish shall be brown nylon plastic.
3. Isolated ground wall plates shall be orange nylon plastic with a circuit number printed in 3/16 inch black lettering on clear adhesive label adhered to plate.

PART 2 - EXECUTION

2.01 INSTALLATION

- A. Mounting
1. Mount switches and receptacles at height above finished floor as indicated on plans, and legend.
2. Mount switches on strike side of door maximum 8" from door frame. Outlet box for switch shall be located clear of door frame. Coordinate with architectural plans prior to rough-in.
3. Install switches with off position down.
4. Do not use the feed thru feature for the GF Type receptacle, unless required by the plans.
5. Use jumbo sized plates for outlets installed in masonry walls.
6. Each receptacle shall be provided with a #12 green grounding jumper between the ground terminal of the receptacle and the outlet box.
7. The grounding conductor to each receptacle shall be installed such that the removal of the device will not interfere with the continuity of the ground.
B. Testing
1. Test each switch and verify proper operation with energized circuit.
2. Test each receptacle for proper polarity on energized circuit.
3. Test each GF receptacle with a GF receptacle tester and verify circuit is opened by GF device at mill-ampere ranges established by the manufacturer.

SECTION C16440 PANELBOARDS

PART 1 - PRODUCTS

- 1.01 MANUFACTURER (via Chick-fil-A National Accounts Program)
A. Square-D (for all Regions); from Villa Lighting, Dave Christanell (800)325-0963
1.02 PANELBOARD FEATURES
A. Panelboards shall have a minimum symmetrical interrupting rating to meet or exceed the available symmetrical interrupting fault current at the device intended to interrupt current.
B. Bus bars shall be copper.
C. Provide factory-installed copper ground bus in each panelboard with lugs or connectors on bar.
D. Provide electrically isolated, factory installed, neutral bus in each 3 phase, 4 wire or 1 phase 3 wire panelboard.
E. In addition to the ground bus required by paragraph 1.02D (above), provide factory installed, electrically isolated, copper ground bus in each panelboard serving isolated ground receptacles.
F. Main lugs and main circuit breaker lugs shall be UL Listed for use with both aluminum and copper conductors.
G. Provide panelboard doors with chrome-plated locks and catches. All locks shall be keyed alike. Provide two keys for each lock.
H. Provide thermal-magnetic circuit breakers which are rated for 40 degrees C ambient temperature. Breakers shall be quick-make, quick-break type trip with trip indication shown by handle position other than on or off. Multi-pole breakers shall have a common trip handle. Tandem type circuit breakers shall not be permitted.
I. MDP 100% rated main breaker, 1200 Amps or higher, shall be equipped with Arc Flash Maintenance Setting switch for use as a temporary arc-flash incident energy reduction device during maintenance activities.
J. Provide typed directory card with clear holder for each panelboard.

PART 2 - EXECUTION

2.01 INSTALLATION

- A. Panelboards shall be mounted at height above finished floor such that the height of the top-most breaker in the panel is not more than 6-1/2 feet above finished floor in its highest position per the NEC.
B. Where multiple panelboards are installed on walls in common areas of buildings, the panelboards shall be installed with the top of all panelboards at the same height.
C. Provide blank filler plates over all unused spaces in panelboards.
D. A typed directory card shall indicate devices being served and the space name where the device is located.
E. Provide minimum of one (1) 3/4" empty spare conduit for every 3 poles of spare breaker or space in the panelboard. Stub conduit to nearest accessible ceiling space. Label conduit as spare at panelboard and termination point.
F. Non-isolated ground bars shall be grounded to panelboard can and main service entrance ground bus with a code sized grounding conductor installed in the same conduit as the phase and neutral conductors.
G. Circuits using a common neutral shall be installed in accordance with the National Electrical Code.
H. Inspect each panelboard for proper installation, physical damage, tightness and installation of overcurrent devices. Verify proper color coding of conductors. Correct or repair all items found in inspection.
I. Neutral wires, ground wires, and isolated ground wires shall be connected to the appropriate panel bus bar. Do not mix bus wire connections.

SECTION C16441 ENCLOSED SWITCHES

PART 1 - PRODUCTS

- 1.01 MANUFACTURERS
A. Square D
B. GE / ABB
C. Siemens
1.02 ENCLOSED SWITCHES
A. Nonfusable switch assemblies: NEMA KS 1, General Duty Type for 208 volt load interrupter enclosed knife switch with externally operable handle interlocked to prevent opening front cover with switch in on position. Handle lockable in off position. Provide equipment ground lug in each switch.
B. Enclosures: NEMA KS 1.
1. Interior dry locations: Type 1.
2. Exterior locations: Type 3R.

SECTION C16442 UTILITY SERVICE ENTRANCE AND DISTRIBUTION SYSTEM

PART 1 - GENERAL

1.01 SYSTEM DESCRIPTION

- The underground electrical system service characteristics shall be 208Y/120 volts, Three Phase, Four Wire service and shall extend from utility company transformer secondary.
B. Metering of electrical usage shall be located as required by local electrical utility company. Coordinate requirements with local utility company.
C. Distribution system originates at secondary of utility transformer and includes service entrance conduit and conductors, distribution equipment, lighting panelboards, utilization equipment, overcurrent devices, disconnecting means, controls, branch and feeder circuits, etc.

PART 2 - PRODUCTS

- 2.01 MATERIALS
A. Furnish service entrance conduit, cable, and miscellaneous hardware as required by plans and specifications for electrical service entrance and system grounding at main electrical service.
PART 3 - EXECUTION

3.01 EXAMINATION AND PREPARATION

- A. Coordinate exact locations of electrical service utility transformer, metering equipment, service lateral, etc. prior to commencement of installation. Contact engineer with conflicts prior to bid.
B. Ensure pad mounted transformer is not located within roadway or sidewalk.
C. Coordinate with local electrical utility for all utility company requirements and provide for the following items and any others required by the utility:
1. Concrete pad for utility transformer with required dimensions and details.
2. Primary underground conduit, excavation, and backfill requirements.
3. Pay for all fees associated with establishment of electrical service.
4. Furnish list of loads to the electrical utility company serving the facility.
5. Verify that utility company clearances are provided on all sides of utility equipment.
D. Ensure proper access to utility equipment is maintained.
E. Provide pull rope, excavation in accordance with electrical utility company requirements, backfill and concrete envelope for primary in accordance with electrical utility company requirements. Turn conduits up riser pole as required. Cap spare conduits 12 inches above grade with plumbers pipe cap.
F. Provide secondary lugs on utility transformer and perform drilling and installation of lugs in accordance with utility requirements. Type of lugs shall be in accordance with electrical utility company requirements. Connect service conductor to transformer secondary lugs as directed by electrical utility.

SECTION C16500 LIGHTING FIXTURES (LUMINAIRES)

PART 1 - GENERAL

- 1.01 ACCEPTABLE MANUFACTURERS AND VENDORS
A. Lighting fixtures indicated on lighting fixture schedule are to be purchased from the National Account Vendor for the region of the project (verify region designation with Owner's Representative):
1. Villa Lighting - all regions. Contact at Villa Lighting; Dave Christanell at 800-325-0963, fax- 314-531-8720, email - davec@villalighting.com
B. Lamps to be Osram-Sylvania and will typically be provided with the luminaire by the lighting manufacturer.

1.02 FIXTURE REQUIREMENTS

- A. Provide regulating, HPF ballasts in all HID lighting fixtures. HID lamp types shall be as indicated on the drawings.
B. Recessed fluorescent lighting fixture ballasts shall be provided with integral thermal protection.
C. Provide energy-saving Instant or Rapid Start lamps for all fluorescent fixtures.
D. All lamps and ballasts shall meet or exceed the requirements of the National Energy Policy Act of 1992 and any other applicable Codes or Criteria.
E. All components of recessed fixtures shall be accessible without disturbing fixture in or on ceiling.
F. Energy saving ballasts and energy saving lamps provided shall be compatible for operation together.
G. Exterior fixtures and poles shall be suitable for exterior use, shall be UL Listed, and shall be a standard design for exterior application.
H. Exterior poles for fixtures with luminaires installed shall be designed for maximum constant velocity wind load with luminaires installed, applicable to the geographic area.

1.03 CONTROLS

- A. Lighting contactors shall be Square-D, GE / ABB, Cutler-Hammer or Siemens of types and quantity shown on drawings, except those furnished with the switchgear as part of the National Account Program by Suncoast Environmental Controls (SEC).

1.04 EMERGENCY LIGHTING UNITS

- A. Batteries shall supply emergency power for lighting with minimum operating time of 1-1/2 hours.
B. Emergency lighting shall be automatically operational upon normal utility power failure.

PART 3 - EXECUTION

3.01 INSTALLATION

- A. Lighting fixtures shall be structurally supported. Fluorescent fixtures mounted in suspended ceilings shall be supported by and attached to ceiling system as required by NEC Article 410. In addition, fluorescent troffers shall be supported at two opposite corners to building structure.
B. Recessed fixtures in dropped ceiling areas shall be connected to power source using flexible conduit. Flexible conduit shall contain a separate insulated green No. 12 copper ground wire. Flexible conduit shall be connected to junction box and fixture. Green ground wire shall provide ground continuity between conduit system and fixture. Grounding conductors shall be permanently and mechanically connected between fixture and conduit system so as to be electrically continuous.
C. Fixtures surface mounted on exposed tee bar ceilings shall use grip clamps on tee bars to support fixtures.
D. Wire shall be continuous from splice in outlet box of building wiring system to lamp socket or ballast terminals.
E. Maintain the integrity of enclosures on enclosed and gasketed fixtures. Minimize the number of enclosure penetrations and make such penetrations water and dust tight with appropriate gaskets and fittings.
F. Concrete bases shall be provided for all exterior ground mounted or pole mounted fixtures.
G. Install accessories furnished with each fixture.
H. Wiring from pole bases to pole mounted luminaire shall be No. 12 with fuse protection provided by a 30 amp, 600 volt waterproof fuseholder with Bussman 'Limtron' fuse of amperage rating 3 times the load current.
I. Surface and recessed fixtures on or in plastered or drywall ceilings shall be supported by support channels. Support channels shall span across main support channels and shall not depend upon ceilings for support.
3.02 FIELD QUALITY CONTROL
A. Relamp fixtures that have failed lamps at substantial completion.

SECTION C16596 SPECIAL SYSTEMS

PART 1 - GENERAL

- 1.01 WORK INCLUDED
A. Furnish and install raceway system for music / communications security, CCTV, POS, and other owner-furnished systems, consisting of empty conduits, junction boxes, outlet boxes, and device plates, etc., as specified and shown on owner selected vendor wiring schematics. Cable, equipment, and installation of the interior system will be provided by the owner's system vendor.
B. Interior system equipment will be furnished by Owner's Vendor.
C. Install special backboxes furnished by Owner's Vendor. Coordinate with the Vendor for the installation. Coordinate with the Vendor if backboxes are to be contractor provided in order to provide and install the appropriate item for the Vendor.

PART 2 - PRODUCTS

2.01 MATERIALS

- A. Provide 4-11/16" square boxes, with plaster rings. Provide device plates for system outlets as specified in Section 16141. Provide separate conduit to nearest accessible ceiling space from each outlet.

- B. Cable shall be in conduit where installed in walls or inaccessible ceilings.
C. Minimum conduit size shall be 3/4" .

PART 3 - EXECUTION

3.01 INSTALLATION

- A. Furnish and install conduits, junction boxes, outlet boxes, and plates.
B. Provide one #10 equivalent nylon pull wire in each system empty conduit.
C. Provide a complete raceway system in accordance with interior system vendor requirements. Interior system vendor shall review the drawings. Contractor shall provide for any additional or varying requirements.
D. Final connections and testing of systems will be provided by the system vendor. Contractor shall contact the owner's vendor and schedule the work so as to complete system installation and testing prior to occupancy of the facility.
E. Terminate each conduit stub-up or termination with nylon insulated bushing.

SECTION C16597 TELEPHONE SERVICE

PART 1 - GENERAL

- 1.01 WORK INCLUDED
A. Furnish and install telephone system consisting of empty conduits, junction boxes, outlet boxes, device plates, etc., as specified and shown on owner selected vendor wiring schematics. Cable, equipment, and installation of the interior system will be provided by the owner's system vendor.
B. Provide underground PVC, Schedule 40, service conduit as required by plans.
C. Telephone Utility Company will provide service entrance cable.
D. Interior telephone system will be furnished by owner's vendor.
E. Special backboxes (unless otherwise noted) and faceplates will be furnished by the owner's vendor.

PART 2 - PRODUCTS

- 2.01 MATERIALS
A. Provide 4-11/16" square boxes, with plaster rings. Provide device plates for telephone outlets to match those specified in wiring device section. Provide separate conduit to nearest accessible ceiling space from each outlet.
B. Minimum conduit size shall be 3/4".
C. Provide lightning arrester for telephone service entrance at main telephone backboard in accordance with UL96A paragraph 11.2 and NFPA 780.
D. Cable shall be in conduit where installed in walls or above inaccessible ceiling spaces.

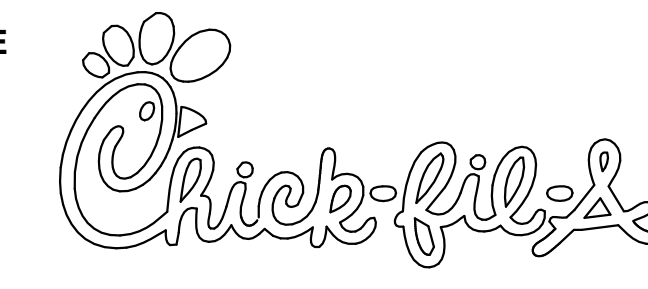
PART 3 - EXECUTION

- 3.01 INSTALLATION
A. Provide one #10 equivalent nylon pull wire in each empty telephone conduit.
B. Provide trenching, backfilling, etc., for installation of service entrance conduit in accordance with other divisions, plans, and telephone utility requirements. Provide pull wire in empty conduit.
C. Coordinate with the local utility for point of service and type of service required. Pay for any utility company charges and fees for establishment of service.
D. Provide a complete raceway system in accordance with telephone utility company and interior system vendor/utility requirements. Telephone utility company and interior system vendor shall review the drawings. Contractor shall provide for any additional or varying requirements.
E. Terminate each conduit stub-up or termination with nylon insulated bushings.
F. Final connections and testing of system will be provided by the system vendor. Contractor shall contact the owner and vendor and schedule the work.

CLOSE OUT DOCUMENT REQUIREMENTS

Provide the following to the building owner upon completion of construction:

- 1. Submittal data stating equipment rating and selected options for each piece of equipment requiring maintenance.
2. Operation manuals and maintenance manuals for each piece of equipment requiring maintenance. Required routine maintenance actions shall be clearly identified.
3. Names and addresses of at least one qualified service agency.
4. A complete narrative of how each system is intended to operate.



Chick-fil-A
5200 Buffington Road
Atlanta, Georgia
30349-2998

DICKERSON ENGINEERING, INC.
Professional Electrical Engineers
1345 W. 10th Street, Suite 100
West Carmel, IN 46032
Tel: (317) 244-0020
Fax: (317) 244-0020
DEI: 22008-16



CHICK-FIL-A
WEST CARMEL FSU
9965 N. MICHIGAN ROAD
CARMEL, IN 46032

FSR#04978

BUILDING TYPE / SIZE: P14 LS
RELEASE: 22.08
PRINTED FOR: ISSUED FOR CONSTRUCTION

Table with 3 columns: NO., DATE, DESCRIPTION

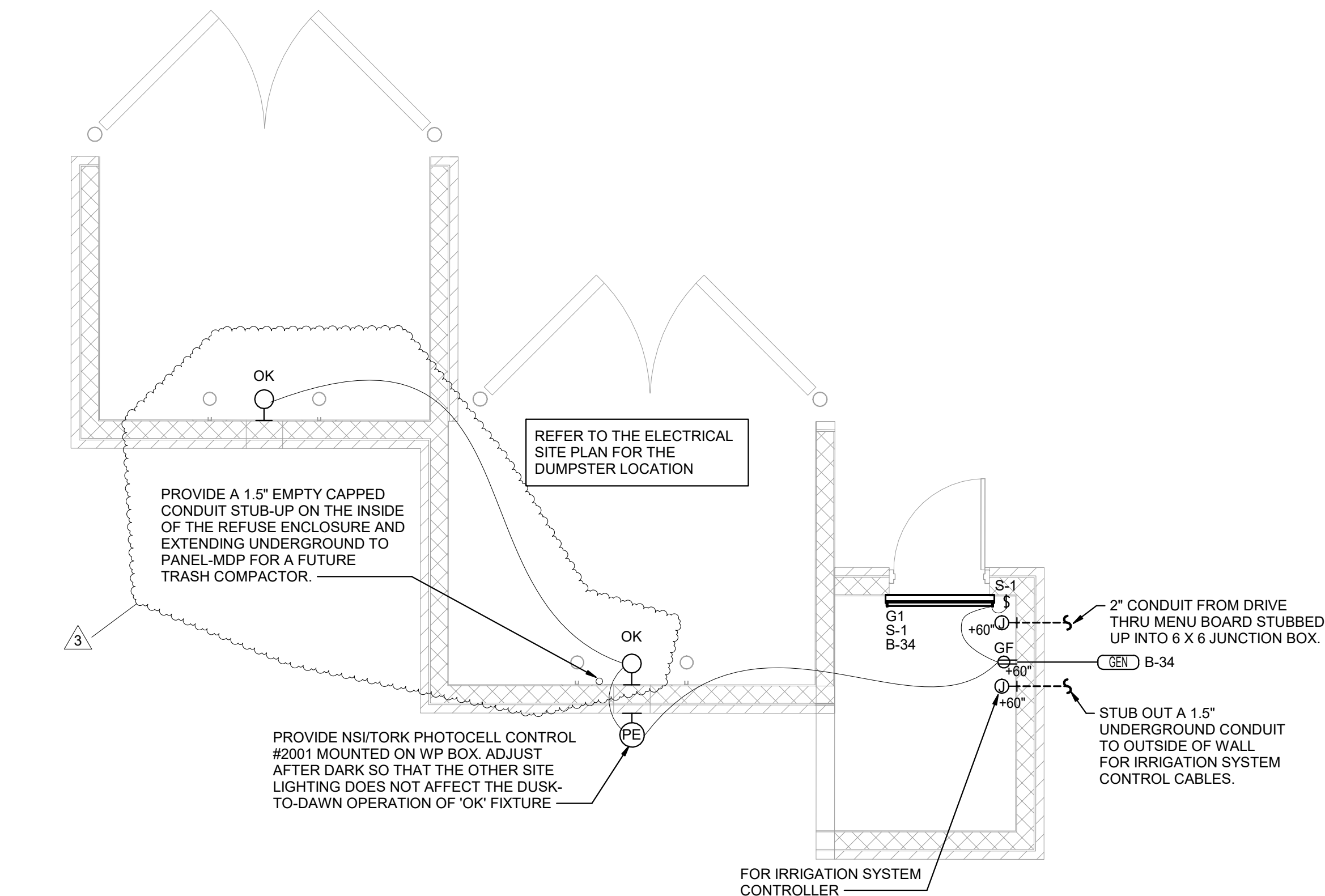
CONSULTANT PROJECT # 74250
DATE 03/24/23

DRAWN BY: Author
Information contained on this drawing and in all digital files produced for above named project may not be reproduced in any manner without express written or verbal consent from authorized project representatives.

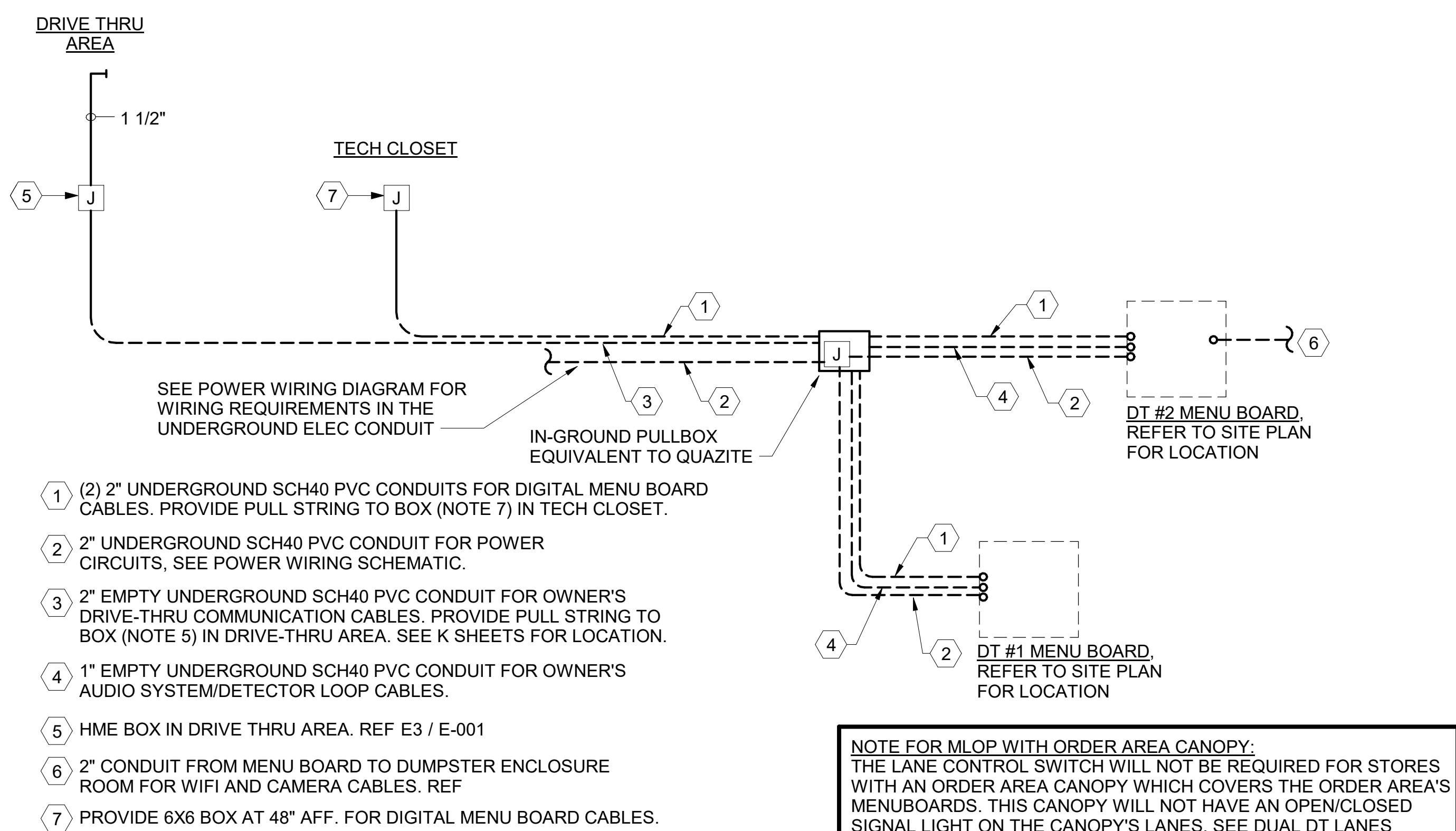
ELECTRICAL SPECIFICATIONS

SHEET NUMBER E-902

3/24/2023 9:40:03 AM Autodesk Docs://IN_04978_WestCarmel (IN)FSU_2022.7_FSR04978_WestCarmel (IN)FSU_ELE.plt 50-LS-04978-E-303-DT ORDERING AREA DETAILS & REFUSE ENCLOSURE PLAN



D1 REFUSE ENCLOSURE ELECTRICAL PLAN
1/4" = 1'-0"



B3 SCHEMATIC
MULTI-LANE ORDER CANOPY POWER WIRING
N.T.S.

A3 CANOPY
MLOP DT REQUIREMENTS - WITH ORDER AREA F2F
NO SCALE

- 1 (2) 2" UNDERGROUND SCH40 PVC CONDUITS FOR DIGITAL MENU BOARD CABLES. PROVIDE PULL STRING TO BOX (NOTE 7) IN TECH CLOSET.
- 2 2" UNDERGROUND SCH40 PVC CONDUIT FOR POWER CIRCUITS. SEE POWER WIRING SCHEMATIC.
- 3 2" EMPTY UNDERGROUND SCH40 PVC CONDUIT FOR OWNER'S DRIVE-THRU COMMUNICATION CABLES. PROVIDE PULL STRING TO BOX (NOTE 5) IN DRIVE-THRU AREA. SEE K SHEETS FOR LOCATION.
- 4 1" EMPTY UNDERGROUND SCH40 PVC CONDUIT FOR OWNER'S AUDIO SYSTEM/DETECTOR LOOP CABLES.
- 5 HME BOX IN DRIVE THRU AREA. REF E3 / E-001
- 6 2" CONDUIT FROM MENU BOARD TO DUMPSTER ENCLOSURE ROOM FOR WIFI AND CAMERA CABLES. REF
- 7 PROVIDE 6X6 BOX AT 48" AFF. FOR DIGITAL MENU BOARD CABLES.

NOTE FOR MLOP WITH ORDER AREA CANOPY:
THE LANE CONTROL SWITCH WILL NOT BE REQUIRED FOR STORES WITH AN ORDER AREA CANOPY WHICH COVERS THE ORDER AREA'S MENUBOARDS. THIS CANOPY WILL NOT HAVE AN OPEN/CLOSED SIGNAL LIGHT ON THE CANOPY'S LANES. SEE DUAL DT LANES CANOPY POWER WIRING SCHEMATIC FOR REQUIREMENTS.



Chick-fil-A
5200 Buffington Road
Atlanta, Georgia
30349-2998

DICKERSON ENGINEERING, INC.
Professional Electrical Engineers
3343 NORTH BRIDGE AVENUE
COLUMBUS, GA 31906
TEL: (706) 948-0020
FAX: (706) 948-0024
DEI: 22008-16

CHICK-FIL-A
WEST CARMEL FSU
9965 N. MICHIGAN ROAD
CARMEL, IN 46032

FSR#04978
BUILDING TYPE / SIZE: P14 LS
RELEASE: 22.08
PRINTED FOR:
ISSUED FOR CONSTRUCTION

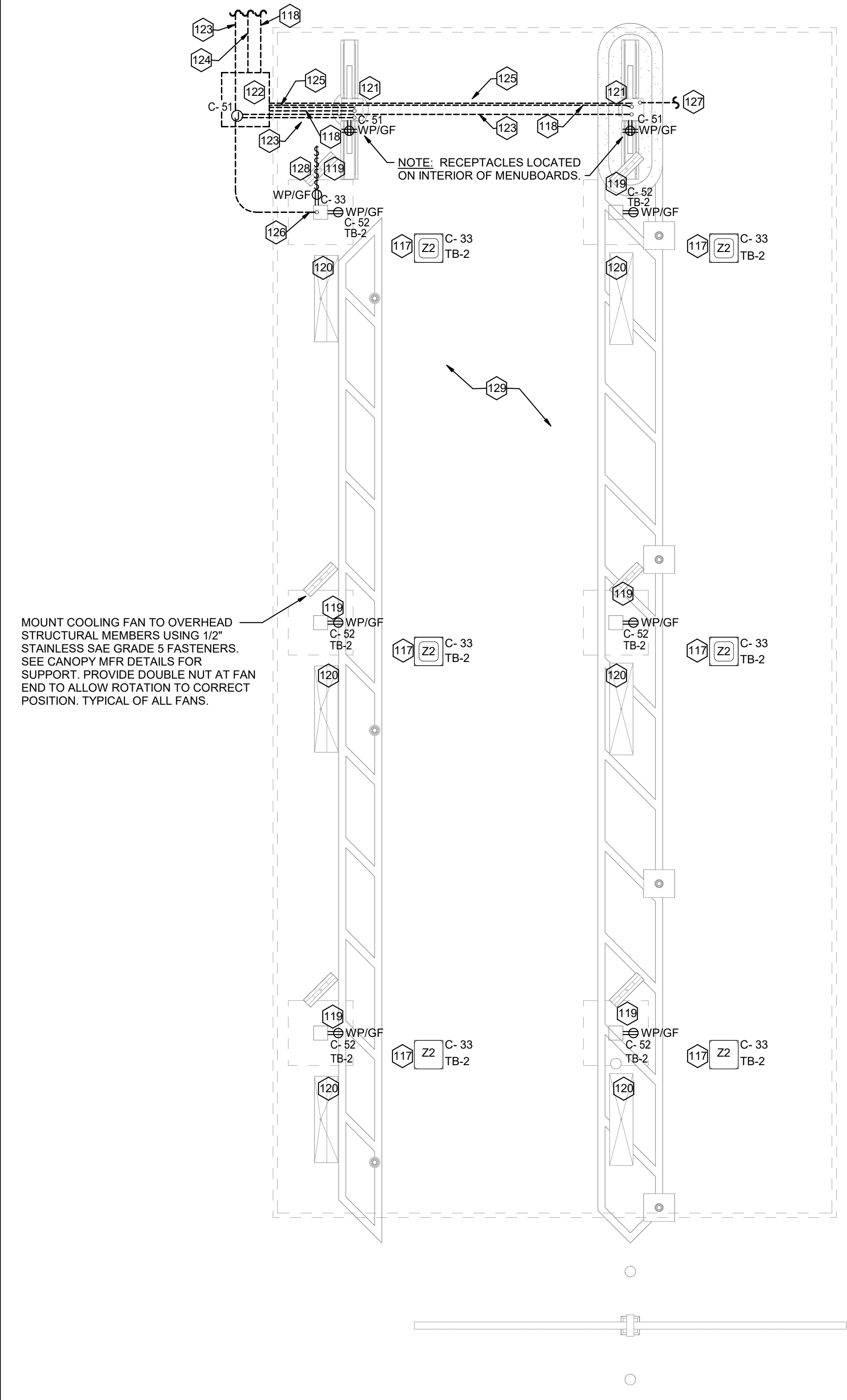
NO.	DATE	DESCRIPTION
3	03/24/23	ISSUED FOR CONSTRUCTION

CONSULTANT PROJECT # 74250
DATE 03/24/23
DRAWN BY: [Signature]
Author information contained on this drawing and all digital files produced for above named project may not be reproduced in any manner without express written or verbal consent from authorized project representatives.
DT ORDERING AREA DETAILS & REFUSE ENCLOSURE PLAN
SHEET NUMBER

E-303

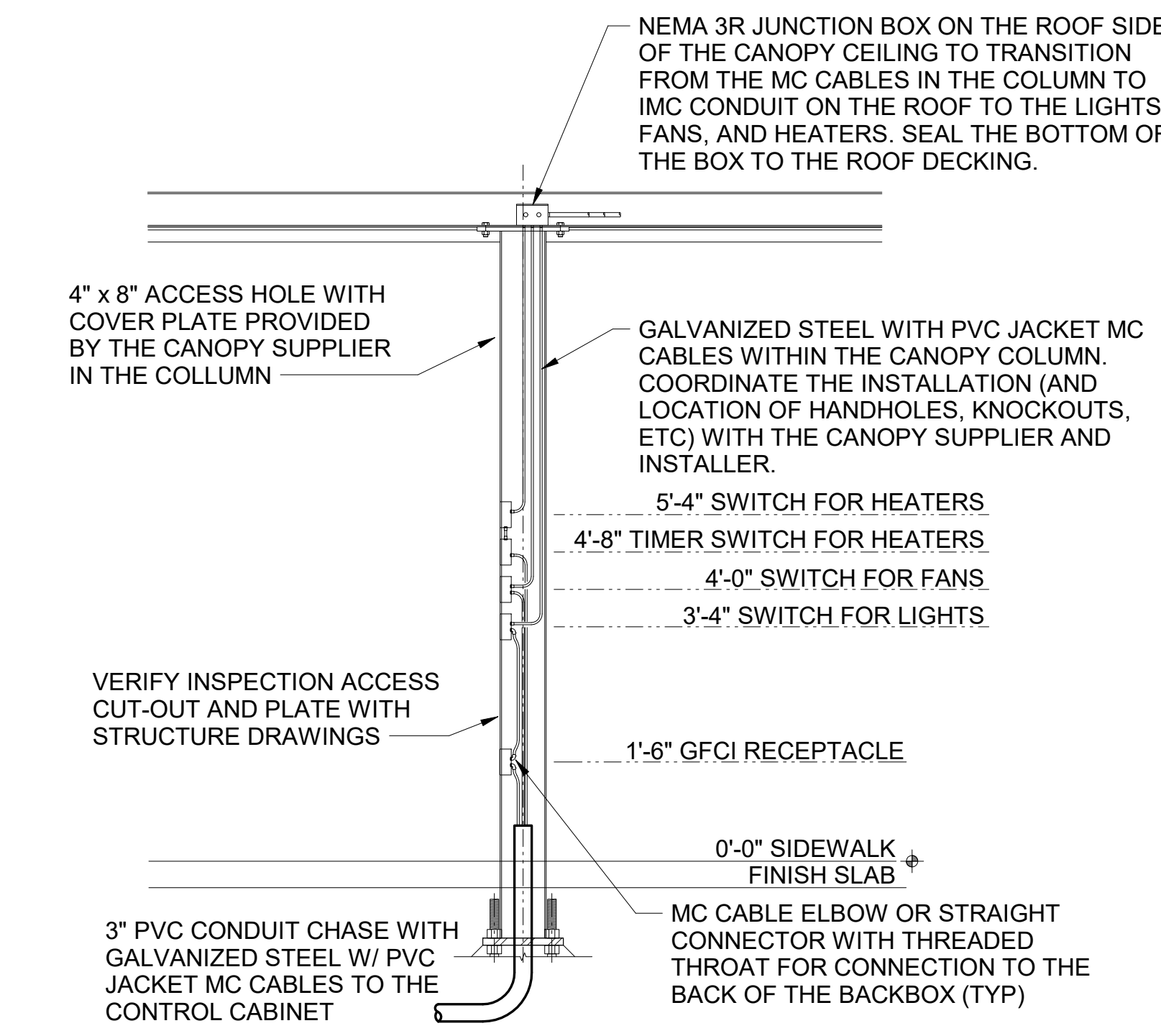
ELECTRICAL KEYNOTES

- 117 CEILING LIGHT PROVIDED BY CANOPY SUPPLIER AND INSTALLED BY E.C.
- 118 CEILING LIGHT PROVIDED BY CANOPY SUPPLIER AND INSTALLED BY E.C.
- 119 AIR CIRCULATING FAN (WITH INTEGRAL ON-OFF SWITCH) PROVIDED BY OTHERS. PROVIDE A DUPLEX OUTLET (WITH IN-USE COVER PLATE) FLUSH MOUNTED IN CUT-OUT AT TOP OF COLUMN FOR FANS' PLUG AND CORD. OUTLET TO BE ON DOWNSTREAM SIDE OF COLUMN AND AWAY FROM ONCOMING VEHICLES' VIEW.
- 120 INFRARED GAS HEATER WITH INTEGRAL ON-OFF SWITCH PROVIDED BY OTHERS.
- 121 MENUBOARD PROVIDED BY OTHERS.
- 122 PROVIDE IN-GROUND QUAZITE PULLBOX FOR MLOP DATA CABLES WITH POWER NEMA 3R JUNCTION BOX MOUNTED INSIDE THE PULLBOX.
- 123 2" UNDERGROUND SCH40 PVC CONDUIT WITH POWER CIRCUITS, SEE WIRING SCHEMATIC.
- 124 2" EMPTY UNDERGROUND SCH40 PVC CONDUIT FOR OWNER'S DETECTOR LOOP CABLES. EXTEND CONDUITS UP INTO ACCESSIBLE CEILING SPACE ABOVE THE HME BOX IN THE DRIVE THRU AREA.
- 125 1" EMPTY UNDERGROUND SCH40 PVC CONDUIT FOR OWNER'S AUDIO SYSTEM/DETECTOR LOOP CABLES.
- 126 INSTALL UNDERGROUND 3" SCH40 PVC CONDUIT UP INTO THE CANOPY COLUMN WITH TYPE MC CABLE (GALVANIZED STEEL WITH PVC JACKET) RUN WITHIN FOR THE 120V POWER FOR LIGHTS, 120 VOLT POWER FOR FANS, AND 24 VOLT POWER FOR THE INFRARED GAS HEATERS.
- 127 2" CONDUIT FROM DRIVE-THRU MENU BOARD TO DUMPSTER ENCLOSURE ROOM FOR WIFI AND CAMERA CABLES.
- 128 PROVIDE ONE DUPLEX GFCI (WITH IN-USE WP COVER PLATE), TWO 120V SINGLE-POLE SWITCHES (EACH WITH HUBBELL #RW51550 WP COVER PLATE), AND ONE DUPLEX SINGLE-POLE SWITCH (WITH HUBBELL #RW51470 WP COVER PLATE) MOUNTED ON THE COLUMN IN B12 PLATES TO BE FIELD PAINTED MATTE BLACK.
- 129 ALL CONDUIT AND BOXES SHALL BE CONCEALED FROM NORMAL VIEW; UNDERGROUND, IN COLUMNS, OR ABOVE THE CANOPY (ON THE ROOF). MC CABLE (GALVANIZED STEEL WITH PVC JACKET) TO BE USED INSIDE THE COLUMNS, BUT MUST CONVERT BACK TO IMC ABOVE THE ROOF AND INSTALL CONDUIT ALONG THE SAME LOCATIONS USING THE SAME PIPE STAND FOR PIPING AND CONDUIT. ALL EXPOSED ELECTRICAL BOXES TO BE NEMA 3R CAST-METAL.

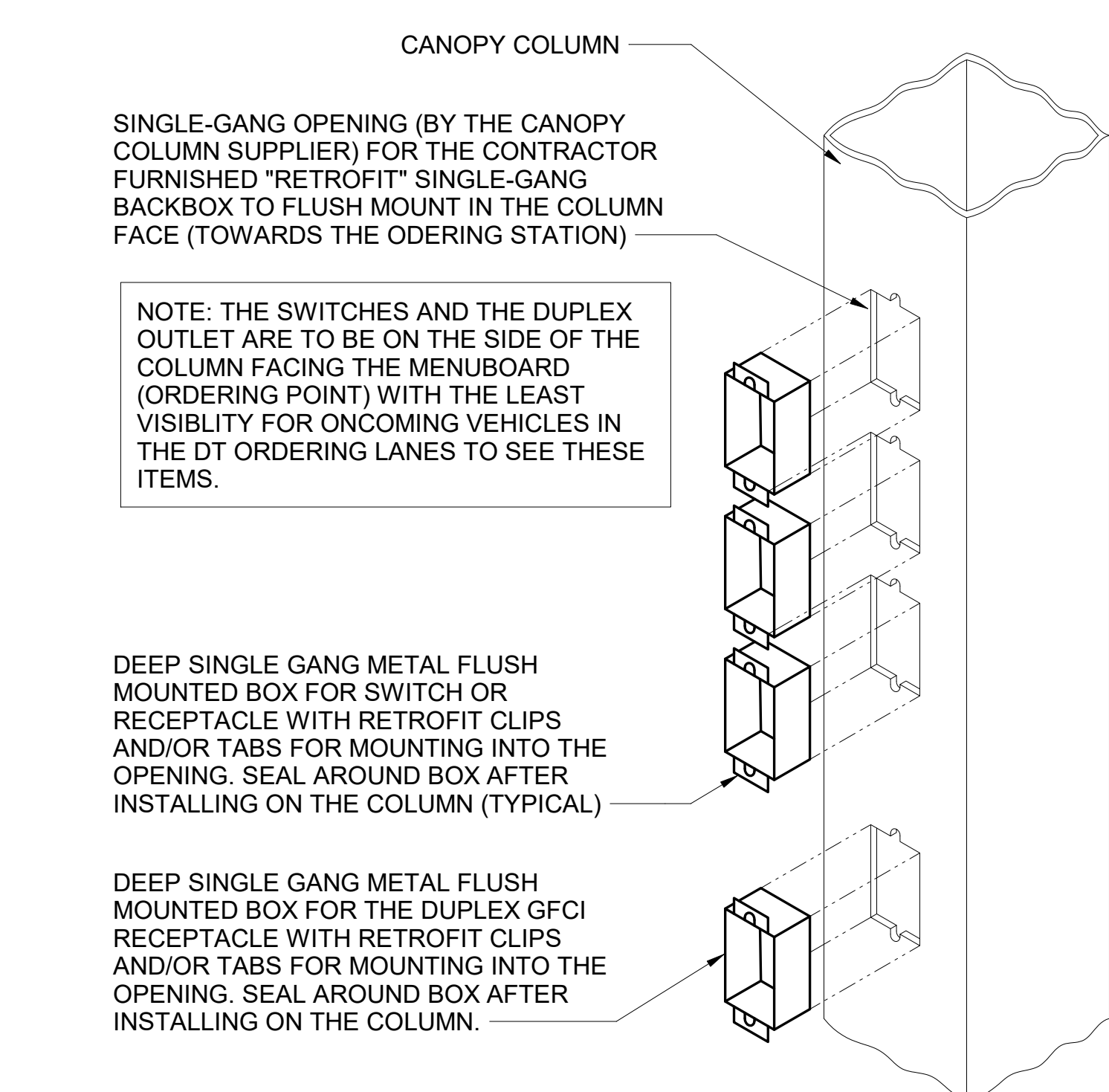
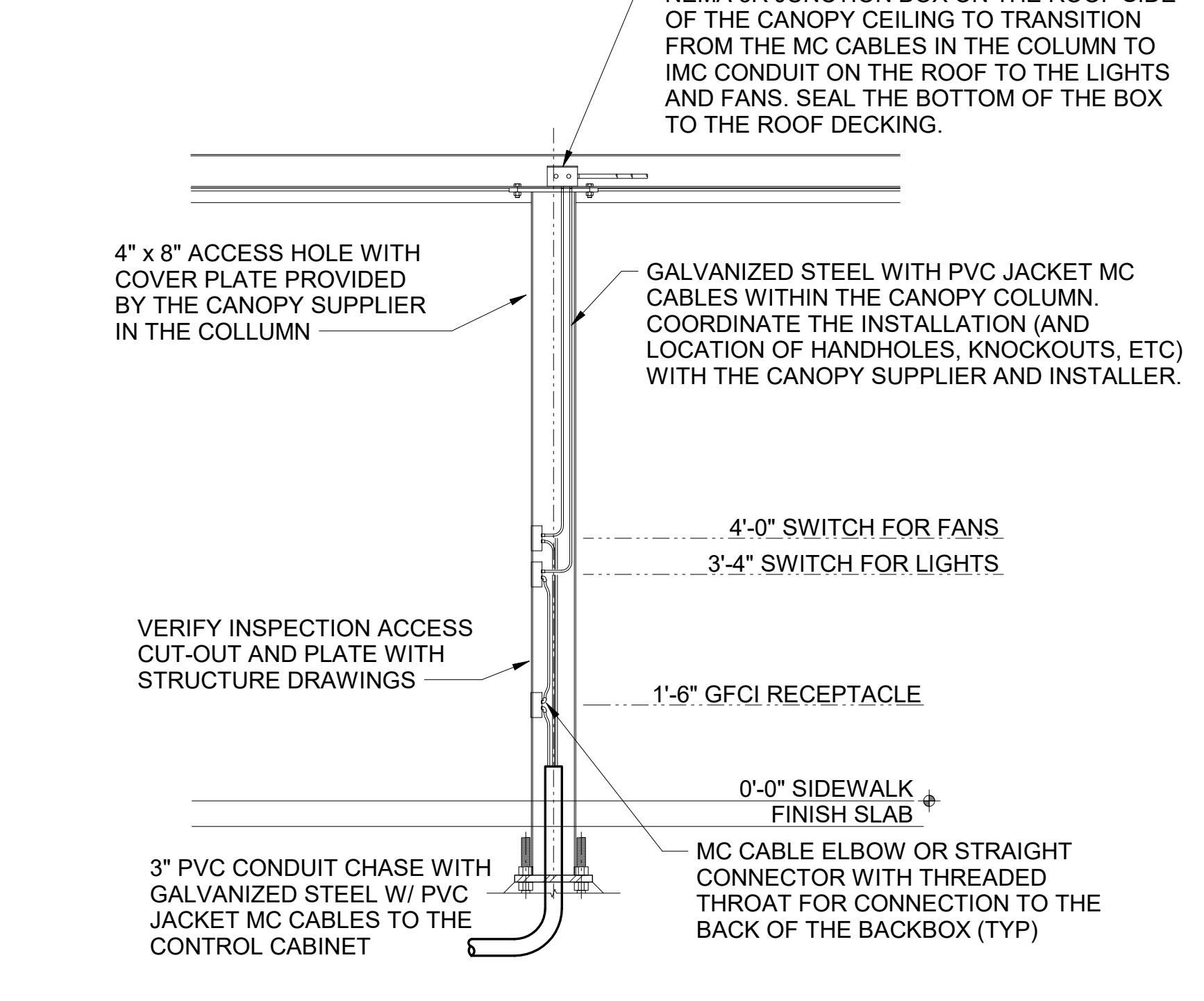


B4 MLOP ORDER CANOPY POWER PLAN
1/4" = 1'-0"

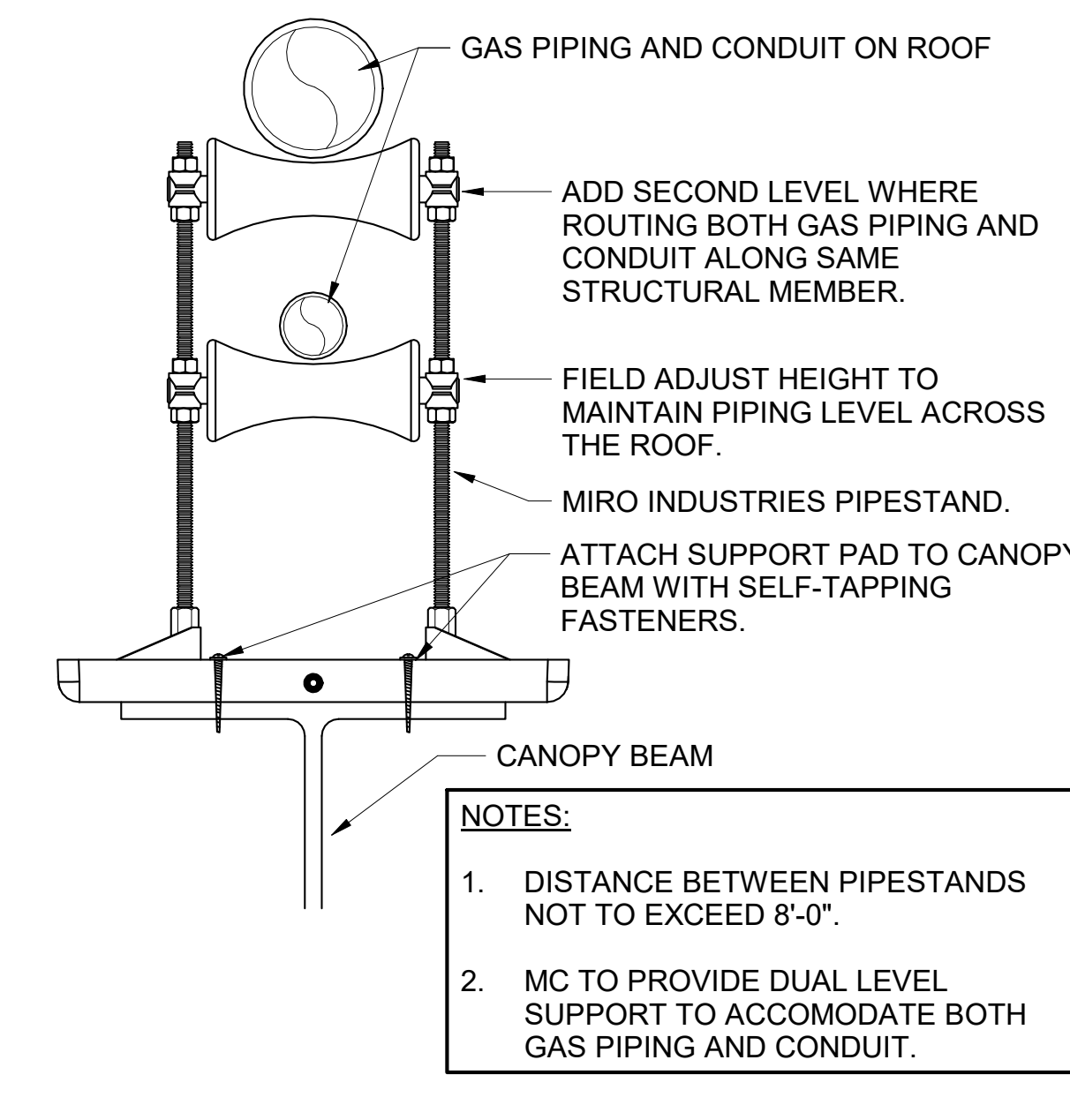
D2 MLOP ORDER CANOPY COLUMN SECTION
N.T.S.



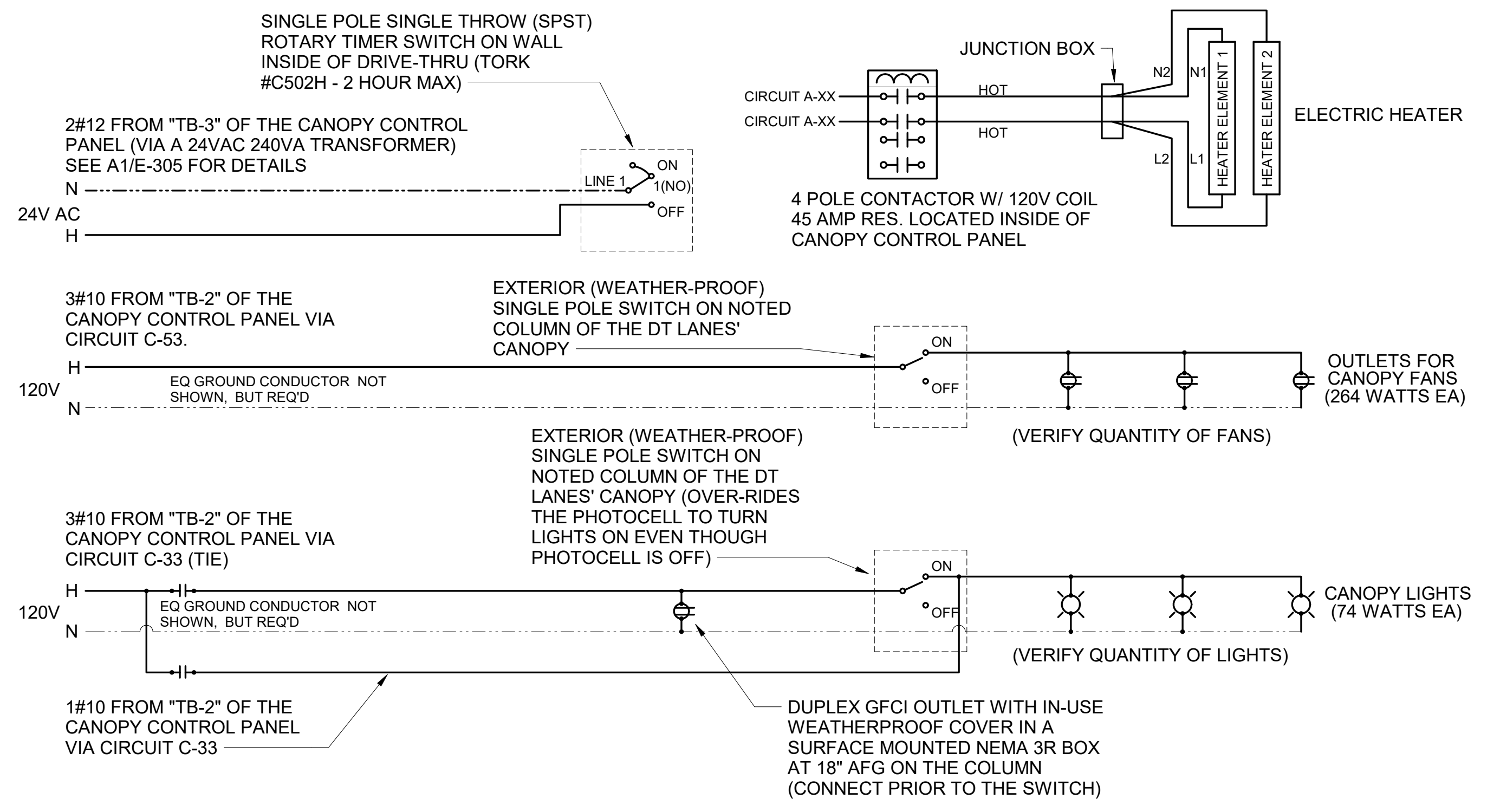
D1 MEAL DELIVERY CANOPY COLUMN SECTION
N.T.S.



C3 CANOPY COLUMN ISOMETRIC
N.T.S.



C1 PIPING SUPPORT ON CANOPY
1/4" = 1'-0"



A1 MEAL DELIVERY CANOPY POWER WIRING SCHEMATIC
N.T.S.



Chick-fil-A
5200 Buffington Road
Atlanta, Georgia
30349-2998



CHICK-FIL-A
WEST CARMEL FSU
9965 N. MICHIGAN ROAD
CARMEL, IN 46032

FSR#04978
BUILDING TYPE / SIZE: P14 LS
RELEASE: 22.08
PRINTED FOR:
ISSUED FOR CONSTRUCTION

REVISION SCHEDULE		
NO.	DATE	DESCRIPTION

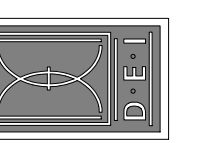
CONSULTANT PROJECT # 74250
DATE 03/24/23
DRAWN BY: Author
INFORMATION CONTAINED ON THIS DRAWING AND IN ALL DIGITAL FILES PRODUCED FOR ABOVE NAMED PROJECT MAY NOT BE REPRODUCED OR TRANSMITTED IN ANY FORM OR BY ANY MEANS WITHOUT EXPRESS WRITTEN OR VERBAL CONSENT FROM AUTHORIZED PROJECT REPRESENTATIVES.
ORDER CANOPY PLAN AND DETAILS
SHEET NUMBER

3/24/2023 9:40:07 AM Autodesk Docs://IN_04978_West Carmel (IN) FSU_ELE.rvt 50-LS-04978-E-304-ORDER CANOPY PLAN AND DETAILS



Chick-fil-A
5200 Buffington Road
Atlanta, Georgia
30349-2998

DICKERSON ENGINEERING, INC.
Professional Electrical Engineers
3343 WOODBRIDGE AVENUE
ATLANTA, GEORGIA 30341
TEL: (404) 368-0030
FAX: (404) 368-0034
DEI: 22008-16



SEQUENCE OF OPERATION

STORE SWITCH IN "STORE OPEN" POSITION	STORE SWITCH IN "STORE CLOSED" POSITION
A. INFRARED HEATERS ARE ENABLED.	A. INFRARED HEATERS ARE DISABLED.
B. COOLING FANS ARE ENABLED.	B. COOLING FANS ARE DISABLED.
C. LIGHTS ARE ENABLED.	C. LIGHTS ARE DISABLED.
D. MASTER AUTO/OFF SWITCH FOR IR HEATERS AND COOLING FANS. PROVIDE SINGLE POINT ON/OFF CONTROL.	

NOTES

- CONTRACTOR SHALL PURCHASE CONTROL PANEL DIRECT FROM SUNCOAST ENVIRONMENTAL CONTROLS (727-544-6679).
- COORDINATE WITH GC TO ESTABLISH LOCATION TO MOUNT PANEL IN A CONDITIONED SPACE INSIDE THE BUILDING. SUGGESTED LOCATION IS SURFACE MOUNTED DIRECTLY ABOVE THE LOCATION OF THE CFA-T500 CONTROL PANEL.
- THE SUNCOAST ENVIRONMENTAL CONTROLS (SEC) IS TO BE SURFACE MOUNTED, UNLESS OTHERWISE REQUESTED TO SUNCOAST.
- PROVIDE LAMINATED LEGEND SHOWING NAMED LOCATIONS OF FANS AND IR HEATERS. MOUNT LEGEND AT PANEL.

LEGEND

SEC SUNCOAST ENVIRONMENTAL CONTROLS (SUPPLIER OF CONTROL PANELS)

----- LOW VOLTAGE BY CONTRACTOR

----- LOW VOLTAGE WIRING BY SUNCOAST

----- 120 VOLT BY CONTRACTOR

----- 120 VOLT BY SUNCOAST

SUNCOAST RELAYS CONTACTORS SHOWN IN DE-ENERGIZED "STORE UNOCCUPIED" CONDITION. RELAYS AND CONTACTORS FACTORY INSTALLED BY SEC IN CONTROL PANEL. RELAYS AND CONTACTORS ENERGIZED VIA "STORE OPEN/CLOSED" SWITCH.

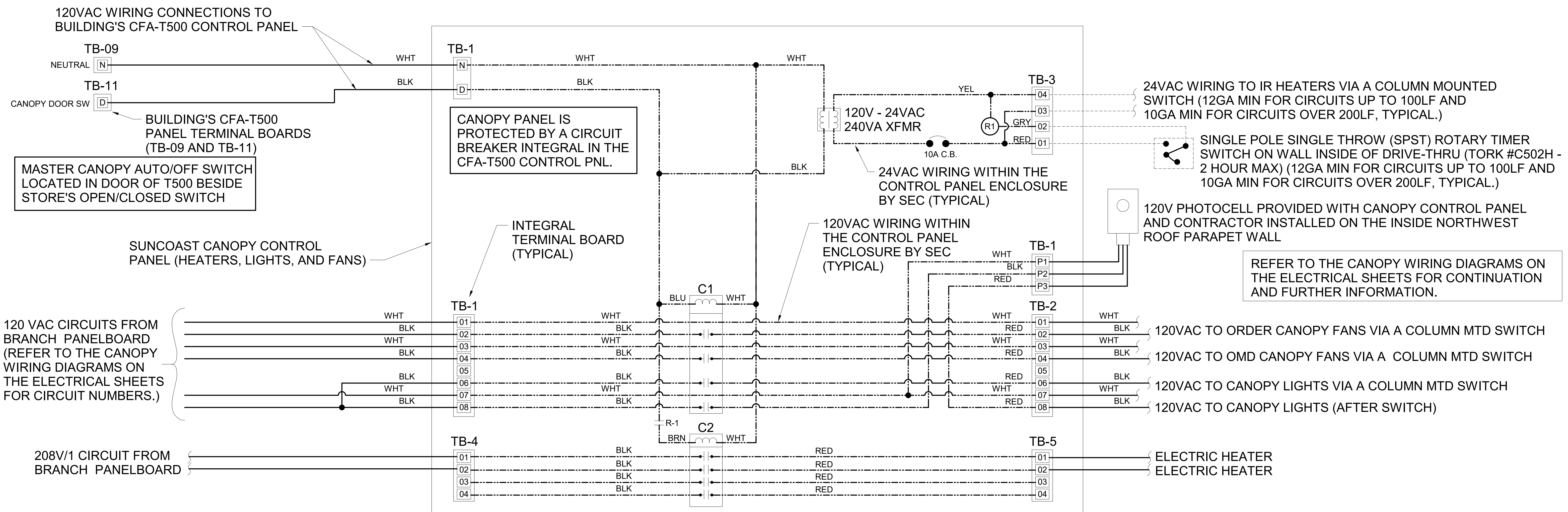
CIRCULATING FAN SCHEDULE

MARK	CFM	RPM	HP	MODEL	MANUFACTURER
CF	5,750	1,625	1/8	U18TE-HD	TPI

REMARKS

- ALUMINUM PADDLE WITH STEEL HUB/SPIDER PROPELLER.
- 360° ROTATING HEAD HORIZONTALLY AND VERTICALLY.
- OSHA COMPLIANT DOUBLE LOCKING, COATED STEEL WIRE GUARD.
- 3-SPEED, TOTALLY ENCLOSED, PERMANENTLY LUBRICATED BALL BEARING MOTOR.
- FACTORY PRE-WIRED POWER CORD.
- PROVIDE FACTORY WALL MOUNTING BRACKET. SEE FAN MOUNTING DETAIL ON CANOPY SHOP DRAWINGS FOR TYPICAL INSTALLATION INSTRUCTIONS.
- PROVIDE ENGRAVED PLASTIC LABEL AT EACH UNIT WITH UNIT DESIGNATION IN 1" HIGH WHITE LETTERS ON A BLACK BACKGROUND. MOUNT TO UNDERSIDE OF CANOPY OR EXISTING OVERHANG, FACING DOWNWARD, 12" LATERALLY FROM THE FAN LOCATION.
- REMOVE PULL CHAIN EXTENSION AT ON/OFF SWITCH IN THE FIELD.
- FACTORY CERTIFIED FOR OUTDOOR INSTALLATION.

TPI FAN PACKAGE - THE CONTRACTOR IS REQUIRED TO PURCHASE THE FAN PACKAGE DIRECTLY FROM TOM BARROW COMPANY. CONTACT MR. SCOTT GEORGE AT 404-351-1010 FOR PRICING AND AVAILABILITY. FANS NOT PURCHASED THRU TOM BARROW COMPANY WILL NOT BE ACCEPTED.



A1 SUNCOAST CANOPY CONTROL PANEL WIRING DIAGRAM
NO SCALE

CHICK-FIL-A
WEST CARMEL FSU
9965 N. MICHIGAN ROAD
CARMEL, IN 46032

FSR#04978

BUILDING TYPE / SIZE: P14 LS
RELEASE: 22.08
PRINTED FOR:
ISSUED FOR CONSTRUCTION

REVISION SCHEDULE
NO. DATE DESCRIPTION

CONSULTANT PROJECT # 74250
DATE 03/24/23

DRAWN BY: Author
Information contained on this drawing and in all digital files produced for above named project may not be reproduced in any manner without express written or verbal consent from authorized project representatives.

CANOPY CONTROL PANEL WIRING DIAGRAM

SHEET NUMBER
E-305

3/24/2023 9:40:10 AM Autodesk Docs://IN_04978_WestCarmel (N)FSU_2022.7_FSR04978_WestCarmel (N)FSU_ELE.rvt 50-LS-04978-E-305-CANOPY CONTROL PANEL WIRING DIAGRAM

Distribution Panel: MDP

LOCATION: OUTDOORS
SUPPLY FROM: UTILITY
MOUNTING: SURFACE
ENCLOSURE: NEMA 3R
VOLTS: 120/208 Wye
PHASES: 3
WIRES: 4
A.I.C. SERIES RATING: 65K
MAINS TYPE: MCB
MAINS RATING: 1200 A
MCB RATING:

Table with columns: NT, CKT, LOAD DESCRIPTION, TRIP, POLE, A, B, C, POLE, TRIP, LOAD DESCRIPTION, CKT, NT. Lists various electrical loads and their specifications.

Table with columns: Load Classification, Connected Load, Demand Factor, Estimated Demand, Panel Totals. Summarizes load data for various equipment types.

LOAD SUMMARY

Table with columns: TOTAL CONNECTED KVA, IF TOTAL LOAD IS 0_200 KVA, IF TOTAL LOAD IS 201_325 KVA, IF TOTAL LOAD IS 326-800 KVA, IF TOTAL LOAD IS OVER 800 KVA, DIVERSIFIED AMPS AT 208 VOLT.

587.10 KVA
CALCULATION PER NEC 220.88
(NOT ALL ELECTRICAL RESTAURANT LOAD)

Branch Panel: POS

LOCATION: BACK OF HOUSE
SUPPLY FROM: A
MOUNTING: FLUSH
ENCLOSURE: NEMA 1
VOLTS: 120/120 Single
PHASES: 1
WIRES: 2+G+IG
A.I.C. SERIES RATING: 10K
MAINS TYPE: MLO
MAINS RATING: 100 A
MCB RATING:

Table with columns: NT, CKT, LOAD DESCRIPTION, TRIP, POLE, B, C, POLE, TRIP, LOAD DESCRIPTION, CKT, NT. Lists loads for the POS branch panel.

Table with columns: Load Classification, Connected Load, Demand Factor, Estimated Demand, Panel Totals. Summarizes load data for the POS branch panel.

GFCI REQUIREMENTS PER 2020 NEC:

THE CONTRACTOR SHALL PROVIDE GROUND FAULT PROTECTION FOR ALL RECEPTACLE OUTLET BRANCH CIRCUITS IN THE KITCHEN / FOOD PREPARATION AREAS IN ACCORDANCE WITH THE 2020 EDITION OF THE NEC.

PANELBOARD NOTES

- (A) CONTROLLED BY RELAY IN CONTROL PANEL CFA-T500 AND STORE-OPEN EXHAUST FAN SWITCH.
(B) CONTROLLED BY EXTERIOR SIGN RELAY IN CONTROL PANEL CFA-T500.
(C) CONTROLLED BY EXTERIOR LIGHTING RELAY IN CONTROL PANEL CFA-T500.
(D) CONTROLLED BY EXTERIOR LIGHTING RELAY - DUSK TO DAWN ZONE.
(E) CONTROLLED BY PARKING LOT LIGHTING CONTROL SWITCH.
(F) GFCI TYPE BREAKER TO BE 30MA TYPE BREAKER.
(H) THE CONTRACTOR SHALL PROVIDE GROUND FAULT TYPE RECEPTACLES FOR ALL 120 VOLT, 15 AND 20 AMP RECEPTACLES IN THE KITCHEN/FOOD PREPARATION AREA UNLESS NOTED OTHERWISE.
(I) GFCI TYPE BREAKER TO BE 5MA TYPE BREAKER.
(IG) ISOLATED GROUND.
(J) CONTROLLED BY INTERIOR LIGHTING RELAYS IN CONTROL PANEL T-500. LIGHTS SHALL TURN ON WHEN STORE IS OCCUPIED.
(L) LOCK-ON.
(LO) LOCK-OFF FOR MAINTENANCE.
(M) HIGH MAG LOAD.
(SB) THRU (1) SB6100-020-0 GFCI PROTECTION DEVICE IN SB6000 PANEL ENCLOSURE OR (1) SB6100-021-0 GFCI PROTECTION DEVICE SURFACE MOUNTED ENCLOSURE FOR 80 AMP FRYERS; OR (1) SB5060-021-0 GFCI PROTECTION DEVICE SURFACE MOUNTED ENCLOSURE FOR 60 AMP DISHWASHER.
(ST) SHUNT TRIP. INTERLOCK W/ FIRE SUPPRESSION SYSTEM VIA T-500 PANEL.
(S) SURGE PROTECTION FOR INDIVIDUAL CIRCUIT. MOUNT SINGLE CIRCUIT SURGE PROTECTION DEVICE (SQUARE D) SDSA1175T TO FACEPLATE MOUNTED ON JUNCTION BOX DIRECTLY ABOVE PANELBOARD SERVING LOAD.

Branch Panel: A

LOCATION: BACK OF HOUSE
SUPPLY FROM: MDP
MOUNTING: FLUSH
ENCLOSURE: NEMA 1
VOLTS: 120/208 Wye
PHASES: 3
WIRES: 4
A.I.C. SERIES RATING: 65K/10K
MAINS TYPE: MLO
MAINS RATING: 250 A

Table with columns: NT, CKT, LOAD DESCRIPTION, TRIP, POLE, A, B, C, POLE, TRIP, LOAD DESCRIPTION, CKT, NT. Lists various electrical loads for Branch Panel A.

Table with columns: Load Classification, Connected Load, Demand Factor, Estimated Demand, Panel Totals. Summarizes load data for Branch Panel A.

Branch Panel: B

LOCATION: BACK OF HOUSE
SUPPLY FROM: MDP
MOUNTING: FLUSH
ENCLOSURE: NEMA 1
VOLTS: 120/208 Wye
PHASES: 3
WIRES: 4
A.I.C. SERIES RATING: 65K/10K
MAINS TYPE: MLO
MAINS RATING: 250 A

Table with columns: NT, CKT, LOAD DESCRIPTION, TRIP, POLE, A, B, C, POLE, TRIP, LOAD DESCRIPTION, CKT, NT. Lists various electrical loads for Branch Panel B.

Table with columns: Load Classification, Connected Load, Demand Factor, Estimated Demand, Panel Totals. Summarizes load data for Branch Panel B.

Branch Panel: C

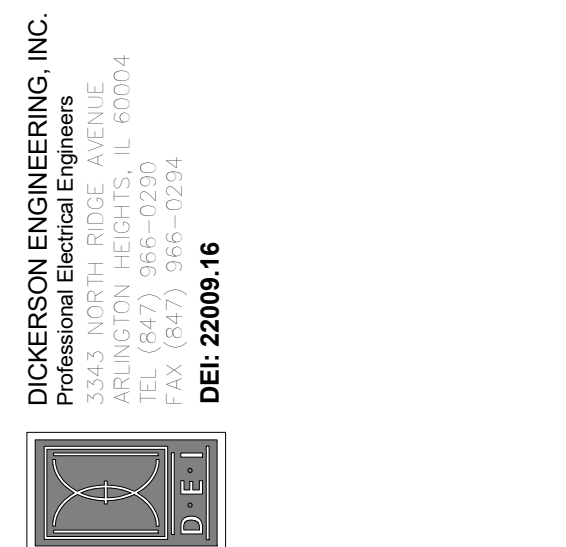
LOCATION: BACK OF HOUSE
SUPPLY FROM: MDP
MOUNTING: FLUSH
ENCLOSURE: NEMA 1
VOLTS: 120/208 Wye
PHASES: 3
WIRES: 4
A.I.C. SERIES RATING: 65K/10K
MAINS TYPE: MLO
MAINS RATING: 250 A

Table with columns: NT, CKT, LOAD DESCRIPTION, TRIP, POLE, A, B, C, POLE, TRIP, LOAD DESCRIPTION, CKT, NT. Lists various electrical loads for Branch Panel C.

Table with columns: Load Classification, Connected Load, Demand Factor, Estimated Demand, Panel Totals. Summarizes load data for Branch Panel C.



Chick-fil-A
5200 Buffington Road
Atlanta, Georgia
30349-2998



CHICK-FIL-A
WEST CARMEL FSU
9965 N. MICHIGAN ROAD
CARMEL, IN 46032

FSR#04978
BUILDING TYPE / SIZE: P14 LS
RELEASE: 22.08

ISSUED FOR CONSTRUCTION
REVISION SCHEDULE
NO. DATE DESCRIPTION

CONSULTANT PROJECT # 74250
DATE 03/24/23
DRAWN BY
AUTHOR
INFORMATION CONTAINED ON THIS DRAWING IS THE PROPERTY OF THE CONSULTANT AND IS NOT TO BE REPRODUCED OR TRANSMITTED IN ANY FORM OR BY ANY MEANS WITHOUT THE WRITTEN PERMISSION OF THE CONSULTANT.

PANEL SCHEDULES
SHEET NUMBER
E-501a

Branch Panel: D1

LOCATION: BACK OF HOUSE
SUPPLY FROM: MDP
MOUNTING: FLUSH
ENCLOSURE: NEMA 1

VOLTS: 120/208 Wye
PHASES: 3
WIRES: 4

A.I.C. SERIES RATING: 65K/10K
MAINS TYPE:
MAINS RATING: 250 A

NT	CKT	LOAD DESCRIPTION	TRIP	POLE	A	B	C	POLE	TRIP	LOAD DESCRIPTION	CKT	NT
I	1	PRESSURE FRYER (523)	50 A	3	4.563	2.892		3	50 A	CHARGRILL COOKER (524)	2	I
--	3	--	--	--		4.563	3.384	--	--	--	4	--
--	5	--	--	--			4.563	2.772	--	--	6	--
I	7	PRESSURE FRYER (523)	50 A	3	4.563	2.892		3	50 A	CHARGRILL COOKER (524)	8	I
--	9	--	--	--		4.563	3.384	--	--	--	10	--
--	11	--	--	--			4.563	2.772	--	--	12	--
I	13	PRESSURE FRYER (523)	50 A	3	4.563	--		1	--	SPACE	14	
--	15	--	--	--		4.563	--	1	--	SPACE	16	
--	17	--	--	--			4.563	--	1	SPACE	18	
	19	SPACE	--	1	--	--	--	1	--	SPACE	20	
	21	SPACE	--	1	--	--	--	1	--	SPACE	22	
	23	SPACE	--	1	--	--	--	1	--	SPACE	24	
	25	SPACE	--	1	--	--	--	1	--	SPACE	26	
	27	SPACE	--	1	--	--	--	1	--	SPACE	28	
	29	SPACE	--	1	--	--	--	1	--	SPACE	30	
Total Load:			19.47 kVA		20.46 kVA		19.23 kVA					
Total Amps:			182.6 A		170.8 A		160.3 A					
Load Classification		Connected Load	Demand Factor	Estimated Demand	Panel Totals							
Other		18056 VA	100.00%	18056 VA								
KITCHEN EQUIPMENT (100% DEMAND)		41071 VA	100.00%	41071 VA	Total Conn. Load: 59.2 kVA							
					Total Est. Demand: 59.2 kVA							
					Total Conn.: 164.2 A							
					Total Est. Demand: 164.2 A							

Branch Panel: D2

LOCATION: BACK OF HOUSE
SUPPLY FROM: MDP
MOUNTING: FLUSH
ENCLOSURE: NEMA 1

VOLTS: 120/208 Wye
PHASES: 3
WIRES: 4

A.I.C. SERIES RATING: 65K/10K
MAINS TYPE:
MAINS RATING: 250 A

NT	CKT	LOAD DESCRIPTION	TRIP	POLE	A	B	C	POLE	TRIP	LOAD DESCRIPTION	CKT	NT
SB	1	OPEN FRYER (522)	80 A	3	7.446	4.560		3	50 A	SPARE/FUTURE FRYER (F523)	2	I
--	3	--	--	--		7.446	4.560	--	--	--	4	--
--	5	--	--	--			7.446	4.560	--	--	6	--
SB	7	OPEN FRYER (522)	80 A	3	7.446	4.560		3	50 A	SPARE/FUTURE FRYER (F523)	8	I
--	9	--	--	--		7.446	4.560	--	--	--	10	--
--	11	--	--	--			7.446	4.560	--	--	12	--
	13	SPACE	--	1	--	--	--	1	--	SPACE	14	
	15	SPACE	--	1	--	--	--	1	--	SPACE	16	
	17	SPACE	--	1	--	--	--	1	--	SPACE	18	
	19	SPACE	--	1	--	--	--	1	--	SPACE	20	
	21	SPACE	--	1	--	--	--	1	--	SPACE	22	
	23	SPACE	--	1	--	--	--	1	--	SPACE	24	
	25	SPACE	--	1	--	--	--	1	--	SPACE	26	
	27	SPACE	--	1	--	--	--	1	--	SPACE	28	
	29	SPACE	--	1	--	--	--	1	--	SPACE	30	
Total Load:			24.01 kVA		24.01 kVA		24.01 kVA					
Total Amps:			200.1 A		200.1 A		200.1 A					
Load Classification		Connected Load	Demand Factor	Estimated Demand	Panel Totals							
KITCHEN EQUIPMENT (100% DEMAND)		72033 VA	100.00%	72033 VA	Total Conn. Load: 72.0 kVA							
					Total Est. Demand: 72.0 kVA							
					Total Conn.: 199.9 A							
					Total Est. Demand: 199.9 A							

Branch Panel: D3

LOCATION: BACK OF HOUSE
SUPPLY FROM: MDP
MOUNTING: FLUSH
ENCLOSURE: NEMA 1

VOLTS: 120/208 Wye
PHASES: 3
WIRES: 4

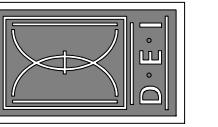
A.I.C. SERIES RATING: 65K/10K
MAINS TYPE:
MAINS RATING: 250 A

NT	CKT	LOAD DESCRIPTION	TRIP	POLE	A	B	C	POLE	TRIP	LOAD DESCRIPTION	CKT	NT
I	1	PRESSURE FRYER (523)	50 A	3	4.563	4.563		3	50 A	PRESSURE FRYER (523)	2	I
--	3	--	--	--		4.563	4.563	--	--	--	4	--
--	5	--	--	--			4.563	4.563	--	--	6	--
SB	7	FUTURE OPEN FRYER (F522)	80 A	3	7.446	7.446		3	80 A	OPEN FRYER (522)	8	SB
--	9	--	--	--		7.446	7.446	--	--	--	10	--
--	11	--	--	--			7.446	7.446	--	--	12	--
	13	SPACE	--	1	--	--	--	1	--	SPACE	14	
	15	SPACE	--	1	--	--	--	1	--	SPACE	16	
	17	SPACE	--	1	--	--	--	1	--	SPACE	18	
	19	SPACE	--	1	--	--	--	1	--	SPACE	20	
	21	SPACE	--	1	--	--	--	1	--	SPACE	22	
	23	SPACE	--	1	--	--	--	1	--	SPACE	24	
	25	SPACE	--	1	--	--	--	1	--	SPACE	26	
	27	SPACE	--	1	--	--	--	1	--	SPACE	28	
	29	SPACE	--	1	--	--	--	1	--	SPACE	30	
Total Load:			24.02 kVA		24.02 kVA		24.02 kVA					
Total Amps:			200.1 A		200.1 A		200.1 A					
Load Classification		Connected Load	Demand Factor	Estimated Demand	Panel Totals							
KITCHEN EQUIPMENT (100% DEMAND)		72053 VA	100.00%	72053 VA	Total Conn. Load: 72.1 kVA							
					Total Est. Demand: 72.1 kVA							
					Total Conn.: 200.0 A							
					Total Est. Demand: 200.0 A							



Chick-fil-A
5200 Buffington Road
Atlanta, Georgia
30349-2998

DICKERSON ENGINEERING, INC.
Professional Electrical Engineers
3343 NORTH RIDGE AVENUE
CUMMINGS, GA 30041
TEL: (404) 946-0230
FAX: (404) 946-0234
DEI: 22008-16



CHICK-FIL-A
WEST CARMEL FSU
9965 N. MICHIGAN ROAD
CARMEL, IN 46032

FSR#04978

BUILDING TYPE / SIZE: P14 LS
RELEASE: 22.08

PRINTED FOR

ISSUED FOR CONSTRUCTION

REVISION SCHEDULE

NO.	DATE	DESCRIPTION

CONSULTANT PROJECT # 74250

DATE 03/24/23

DRAWN BY Author
Information contained on this drawing and in all digital files produced for above named project may not be reproduced in any manner without express written or verbal consent from authorized project representatives.

SHEET PANEL SCHEDULES

SHEET NUMBER

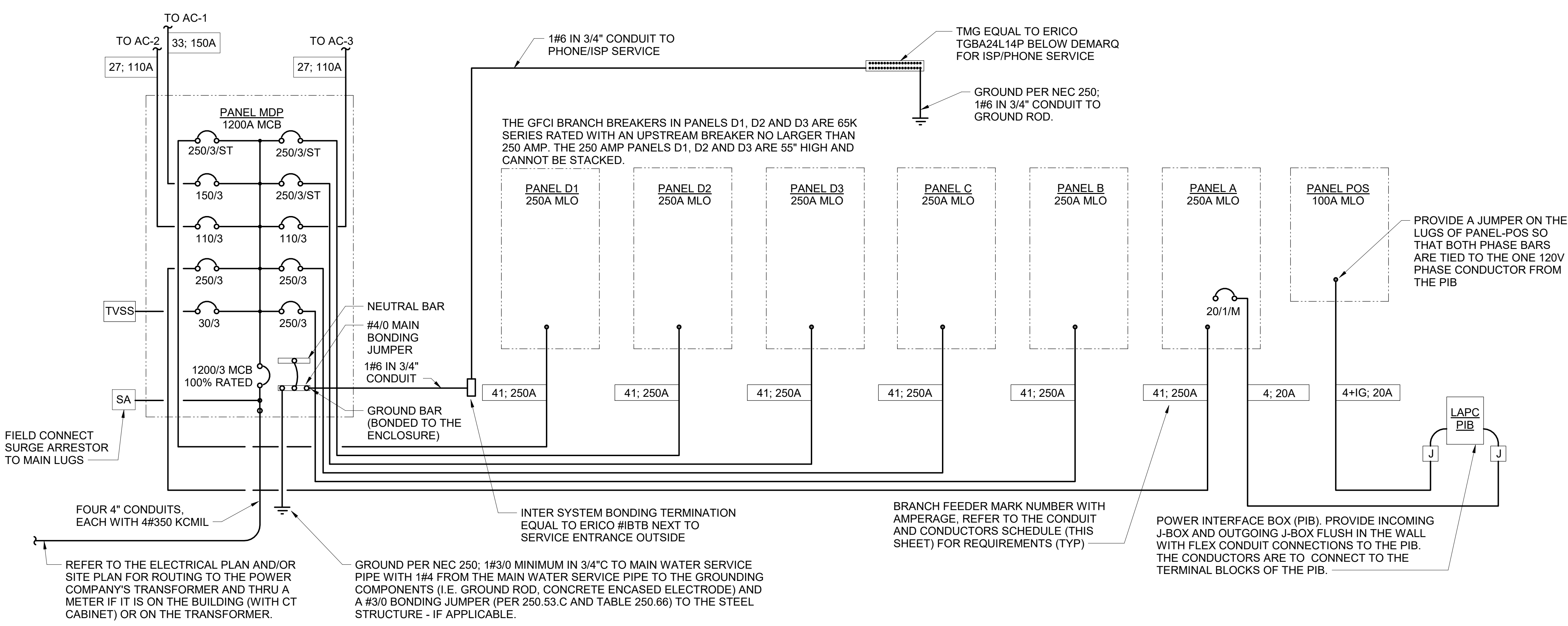
E-501b

3/24/2023 9:40:21 AM Autodesk Docs://IN_04978_WestCarmel (N)FSU_2022_7_FSR#04978_WestCarmel (N)FSU_ELE.rvt 50-LS-04978-E-502-SINGLE LINE DIAGRAM AND NOTES

B1) CONDUIT AND CONDUCTORS SCHEDULE

Mark No.	OCP Device (Amp/Poles)	Conductors Total Amps 60d C 75d C	Conductors			Raceway Size (Nominal Inches)						
			Phase & Neutral Qty/Size	Type	Min Eq Grd Qty/Set Size	No. Sets	Phase EMT	Neutral & Equip Grd IMC	With IG PVC	With IG EMT		
1	20/1	20	- 2 12	THHN	1 12	One	0.75	0.75	0.75	0.75	0.75	0.75
2	20/2	20	- 3 12	THHN	1 12	One	0.75	0.75	0.75	0.75	0.75	0.75
3	20/3	20	- 4 12	THHN	1 12	One	0.75	0.75	0.75	0.75	0.75	0.75
4	25/1	30	- 2 10	THHN	1 10	One	0.75	0.75	0.75	0.75	0.75	0.75
5	25/2	30	- 3 10	THHN	1 10	One	0.75	0.75	0.75	0.75	0.75	0.75
6	25/3	30	- 4 10	THHN	1 10	One	0.75	0.75	0.75	0.75	0.75	0.75
7	30/1	30	- 2 10	THHN	1 10	One	0.75	0.75	0.75	0.75	0.75	0.75
8	30/2	30	- 3 10	THHN	1 10	One	0.75	0.75	0.75	0.75	0.75	0.75
9	30/3	30	- 4 10	THHN	1 10	One	0.75	0.75	0.75	0.75	0.75	0.75
10	40/1	40	- 2 8	THHN	1 10	One	0.75	0.75	0.75	0.75	0.75	0.75
11	40/2	40	- 3 8	THHN	1 10	One	0.75	0.75	0.75	0.75	0.75	0.75
12	40/3	40	- 4 8	THHN	1 10	One	0.75	0.75	0.75	0.75	0.75	1.00
13	45/3	55	- 4 6	THHN	1 10	One	1.00	1.00	1.00	1.00	1.00	1.00
14	50/1	55	- 2 6	THHN	1 10	One	0.75	0.75	0.75	0.75	0.75	0.75
15	50/2	55	- 3 6	THHN	1 10	One	0.75	0.75	0.75	0.75	0.75	1.00
16	50/3	55	- 4 6	THHN	1 10	One	1.00	1.00	1.00	1.00	1.00	1.00
17	60/1	70	- 2 4	THW	1 8	One	1.00	1.00	1.00	1.00	1.25	1.25
18	60/2	70	- 3 4	THW	1 8	One	1.25	1.00	1.25	1.25	1.25	1.25
19	60/3	70	- 4 4	THW	1 8	One	1.25	1.25	1.25	1.25	1.25	1.25
20	70/1	70	- 2 4	THW	1 8	One	1.00	1.00	1.00	1.00	1.25	1.25
21	70/2	70	- 3 4	THW	1 8	One	1.25	1.00	1.25	1.25	1.25	1.25
22	70/3	70	- 4 4	THW	1 8	One	1.25	1.25	1.25	1.25	1.25	1.25
23	80/2	85	- 3 3	THW	1 8	One	1.25	1.25	1.25	1.25	1.25	1.25
24	80/3	85	- 4 3	THW	1 8	One	1.25	1.25	1.25	1.25	1.50	1.50
25	90/2	95	- 3 2	THW	1 8	One	1.25	1.25	1.25	1.25	1.50	1.50
26	90/3	95	- 4 2	THW	1 8	One	1.50	1.25	1.50	1.50	1.50	1.50
27	100/2	110	- 3 1	THW	1 6	One	1.50	1.50	1.50	2.00	2.00	2.00
28	100/3	110	- 4 1	THW	1 6	One	2.00	2.00	2.00	2.00	2.00	2.00
29	110/2	-	150 3	1/0 THW	1 6	One	1.25	1.25	1.25	1.50	1.50	1.50
30	110/3	-	150 4	1/0 THW	1 6	One	1.50	1.25	1.50	1.50	1.50	1.50
31	125/2	-	150 3	1/0 THW	1 6	One	1.50	1.50	1.50	2.00	2.00	2.00
32	125/3	-	150 4	1/0 THW	1 6	One	2.00	2.00	2.00	2.00	2.00	2.00
33	150/2	-	150 3	1/0 THW	1 6	One	2.00	2.00	2.00	2.00	2.00	2.00
34	150/3	-	150 4	1/0 THW	1 6	One	2.00	2.00	2.00	2.00	2.00	2.00
35	175/2	-	175 3	2/0 THW	1 6	One	2.00	2.00	2.00	2.00	2.00	2.00
36	175/3	-	175 4	2/0 THW	1 6	One	2.00	2.00	2.00	2.00	2.50	2.50
37	200/2	-	200 3	3/0 THW	1 6	One	2.00	2.00	2.00	2.50	2.50	2.50
38	200/3	-	200 4	3/0 THW	1 6	One	2.50	2.50	2.50	2.50	2.50	2.50
39	225/2	-	230 3	4/0 THW	1 4	One	2.50	2.00	2.50	2.50	2.50	2.50
40	225/3	-	230 4	4/0 THW	1 4	One	2.50	2.50	2.50	2.50	3.00	3.00
41	250/3	-	255 4	250 THW	1 4	One	2.50	3.00	3.00	3.00	3.00	3.00
42A	300/3	-	285 4	300 THW	1 4	One	3.00	3.00	3.00	3.00	3.00	3.00
42B	300/3	-	310 4	350 THW	1 4	One	3.00	3.00	3.00	3.00	3.00	3.00
43A	350/3	-	335 4	400 THW	1 4	One	3.00	3.50	3.50	3.50	3.50	3.50
43B	350/3	-	380 4	500 THW	1 4	One	3.50	3.50	3.50	3.50	3.50	3.50
44A	400/3	-	380 4	500 THW	1 3	One	3.50	3.50	3.50	3.50	3.50	3.50
44B	400/3	-	400 4	3/0 THW	1 3	Two	2.50	2.50	2.50	2.50	2.50	2.50
45A	600/3	-	570 4	300 THW	1 1	Two	3.00	3.00	3.00	3.00	3.00	3.00
45B	600/3	-	620 4	350 THW	1 1	Two	3.00	3.00	3.00	3.00	3.00	3.50
46A	800/3	-	760 4	500 THW	1 1/0	Two	3.50	3.50	3.50	3.50	3.50	3.50
46B	800/3	-	820 4	600 THW	1 1/0	Two	4.00	4.00	4.00	4.00	4.00	4.00
47	1000/3	-	1005 4	400 THW	1 2/0	Three	3.50	3.50	3.50	3.50	3.50	3.50
48	1200/3	-	1240 4	350 THW	1 3/0	Four	3.50	3.50	3.50	3.50	3.50	4.00
49	1600/3	-	1675 4	400 THW	1 4/0	Five	4.00	4.00	4.00	4.00	4.00	4.00

Notes:
 Conductors are rated at 600 volt or below and are to be copper.
 NEC Table 310.15(B)(16) - formerly Table 310.16 - is used for the basis of the conductor ampacities, which is not more than three current carrying conductors in a raceway at an ambient temperature of 30 deg C with 60 deg C rated conductors and connectors per 110.14-C-1 for up to 100 amp rated and to #1 AWG conductors for equipment terminations and 75 deg C rated conductors and termination connectors for larger than 100 amp or above #1 AWG conductors.
 NEC Tables 4, 5, and Appendix C is used for the basis of the conduit sizes. Table C1 for EMT, Table C4 for IMC, Table C8 for Rigid, and Table C10 for PVC (Sch 40).
 All Branch Feeders and Branch Circuits shall include a green Equipment Grounding Conductor.
 Omit Grounding conductor on Service Entrance Feeders.
 Omit Neutral conductor on all Delta primary transformer feeders or single-phase 2 pole loads and 3 phase loads not requiring a neutral.
 The above conductors are not calculated for Voltage Drop. Any circuits that exceed 100 feet shall be calculated by the installer to have less than a three percent voltage drop on feeders and five percent on branch circuits per the NEC.

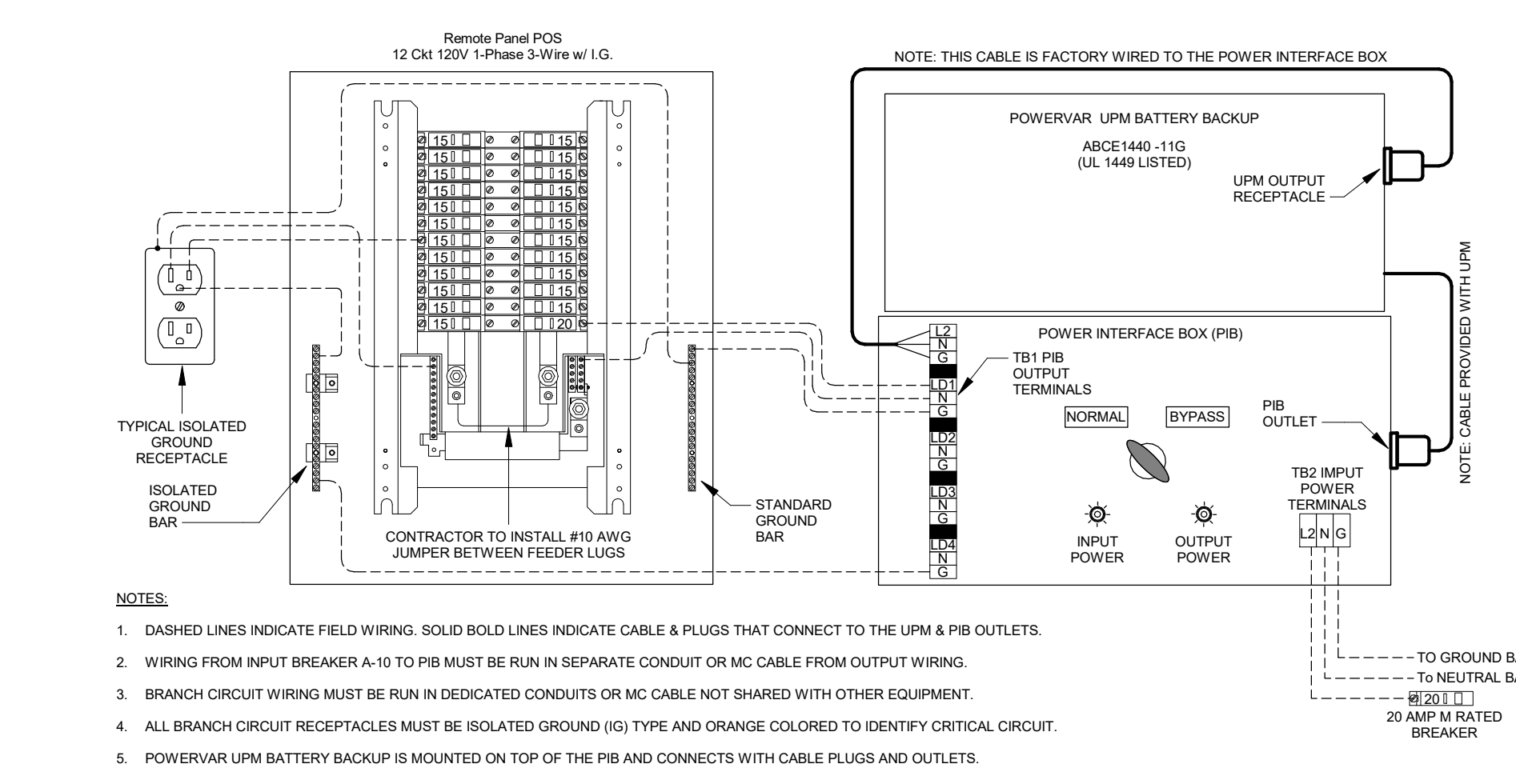


SINGLE-LINE DIAGRAM NOTES

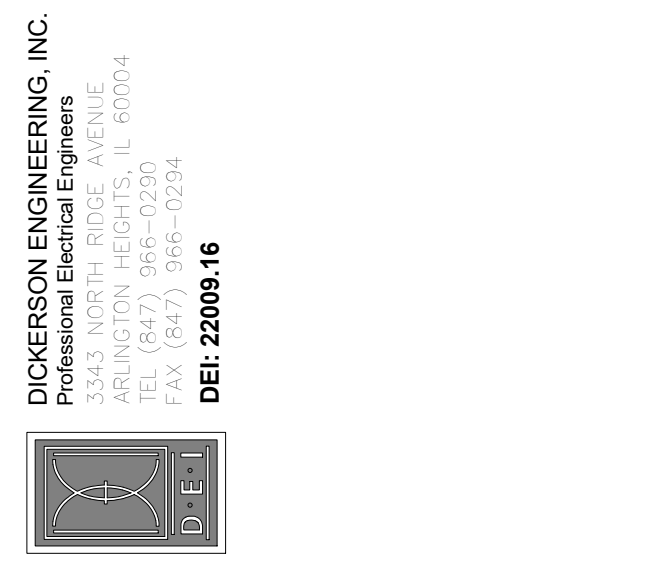
- VERIFY SERVICE LOCATIONS AND CONFORM TO THE REQUIREMENTS OF THE POWER COMPANY AND/OR DEVELOPER. POWER COMPANY AND/OR DEVELOPER SHALL BE CONTACTED PRIOR TO BEGINNING CONSTRUCTION TO ARRANGE AND VERIFY FOR THE INSTALLATION OF THE POWER COMPANY SERVICE, METER, AND OTHER ITEMS.
- GROUND ALL EQUIPMENT AND SERVICES IN ACCORDANCE WITH ARTICLE 250 OF THE NATIONAL ELECTRICAL CODE, LOCAL APPLICABLE CODES, AND ALSO AS INDICATED ON DRAWINGS.
- MAKE NECESSARY INSPECTIONS OF EXISTING SITE AND SERVICE LOCATIONS AS REQUIRED FOR THIS WORK AND MAKE ALLOWANCE FOR EXISTING CONDITIONS BEFORE SUBMITTING BID. VERIFY WORK REQUIRED WITH POWER COMPANY AND TELEPHONE COMPANY.
- CUT AND PATCH THE CONSTRUCTION WORK AS REQUIRED FOR PROPER INSTALLATION OF THE ELECTRICAL WORK. ALL PATCHING SHALL MATCH THE SURROUNDING WORK TO THE SATISFACTION OF THE ARCHITECT. ALL CONDUIT SHALL BE INSTALLED CONCEALED UNLESS SPECIFICALLY APPROVED BY THE ARCHITECT. COORDINATE SAW CUTTING WITH LANDLORD'S OR OWNER'S REPRESENTATIVE.
- WIRE AND CABLE:
A. CONDUCTORS SHALL BE COPPER, #12 AWG, MINIMUM UNLESS SPECIFICALLY NOTED OTHERWISE.
B. CONDUCTOR #10 AWG AND SMALLER SHALL BE SOLID AND #8 AWG AND LARGER SHALL BE STRANDED. INSULATION SHALL BE 600 VOLT, THHN/THWN.
- PROVIDE ENGRAVED LAMINATED PHENOLIC BLOCK-ON-WHITE (UNLESS NOTED OTHERWISE) NAMEPLATES SECURED TO EQUIPMENT WITH ADHESIVE AND SCREWS FOR PANELBOARDS, RELAY CABINETS, TRANSFORMERS, DISTRIBUTION BOARDS, AND MAIN PANELBOARD - IDENTIFYING EQUIPMENT DESIGNATION (CORRESPONDING WITH DESIGNATION USED ON DRAWINGS) AND EQUIPMENT VOLTAGE. LETTERING SHALL BE 1/4" HIGH. PROVIDE LABELS FOR CIRCUIT BREAKERS, FUSIBLE SWITCHES AND STARTERS IN PANELBOARDS AND DISTRIBUTION BOARDS FOR EACH DEVICE IDENTIFYING EQUIPMENT CONTROLLED. LETTERING SHALL BE 1/8" HIGH.
- ALL DEVICES SHALL HAVE AN INTERRUPTING CAPACITY NOT LESS THAN THE POWER COMPANY AVAILABLE FAULT CURRENT, OR AS INDICATED ON THE DRAWINGS.
- 120/208 VOLT BRANCH CIRCUIT PANELBOARD BREAKERS SHALL HAVE A MINIMUM U.L. SERIES RATING OF 65 KAIC WITH UP-STREAM FEEDER BREAKERS AS NOTED.
- AVAILABLE SPACE FOR MAIN PANELBOARD IS LIMITED. PANELBOARD MUST FIT IN ALLOCATED SPACE. COORDINATE WITH CONSTRUCTION AS REQUIRED.
- ALL WIRING SHALL BE IN CONDUIT, E.M.T OR RIGID. FLEXIBLE CONDUIT MAY ONLY BE USED FOR FINAL CONNECTIONS AND WITH GREEN EQUIPMENT GROUNDING CONDUCTORS.

SWITCHGEAR AND CONTROL EQUIPMENT NOTES

- PURCHASE PANELBOARDS, SURGE ARRESTOR, AND TVSS FROM AN APPROVED NATIONAL ACCOUNTS VENDOR (SEE SHEET E-902 SECTION C16440, PANELBOARDS) PROVIDING SQUARE-D EQUIPMENT. NO SUBSTITUTIONS ALLOWED.
- PURCHASE CONTROL PANEL 'CFA-T500' FROM SUNCOAST ENVIRONMENTAL, INC. (NO SUBSTITUTIONS ALLOWED). ALL EQUIPMENT IN THE CONTROL PANEL SHALL BE INSTALLED, WIRED AND CONNECTED AT THE FACTORY, INCLUDING AUTOMATIC LIGHTING CONTROL SYSTEM, LIGHTING RELAYS, HVAC STARTERS, POWER SUPPLIES, MISCELLANEOUS RELAYS AND CONTROLS, AND THERMOSTATS.
- CONTRACTOR SHALL PROVIDE PANEL FEEDERS A, B, C, D1, D2, D3, AND POS, BRANCH CIRCUIT CONDUIT AND WIRE, AND INSTALL ALL EQUIPMENT AS REQUIRED.
- ALL BREAKERS AND PANELS SHALL BE SQUARE-D.
- TVSS AND SURGE ARRESTOR UNITS SHALL BE MOUNTED DIRECTLY ADJACENT TO THE SIDE OF THE MAIN DISTRIBUTION PANEL IN NEMA 3R ENCLOSURES. CLOSE NIPPLE THE UNITS TO THE SIDE OF THE PANEL. PROVIDE CONNECTION OF TVSS UNIT TO BREAKER IN PANEL. CONNECT SURGE ARRESTOR TO MAIN INCOMING LUGS OF THE PANEL. CONNECT USING MINIMUM LENGTH OF WIRE WITHOUT SHARP BENDS IN THE WIRE AND SHALL NOT BE LENGTHENED FROM WIRE LENGTH PROVIDED WITH THE TVSS OR SURGE SUPPRESSOR DEVICE.



- NOTES:**
- DASHED LINES INDICATE FIELD WIRING. SOLID BOLD LINES INDICATE CABLE & PIGS THAT CONNECT TO THE UPM & PIB OUTPUTS.
 - WIRING FROM INPUT BREAKER A-10 TO PIB MUST BE RUN IN SEPARATE CONDUIT OR MC CABLE FROM OUTPUT WIRING.
 - BRANCH CIRCUIT WIRING MUST BE RUN IN DEDICATED CONDUITS OR MC CABLE NOT SHARED WITH OTHER EQUIPMENT.
 - ALL BRANCH CIRCUIT RECEPTACLES MUST BE ISOLATED GROUND (IG) TYPE AND ORANGE COLORED TO IDENTIFY CRITICAL CIRCUIT.
 - POWERWAR UPM BATTERY BACKUP IS MOUNTED ON TOP OF THE PIB AND CONNECTS WITH CABLE LUGS AND OUTPUTS.



CHICK-FIL-A
WEST CARMEL FSU
9965 N. MICHIGAN ROAD
CARMEL, IN 46032

FSR#04978
BUILDING TYPE / SIZE: P14 LS
RELEASE: 22.08
PRINTED FOR:
ISSUED FOR CONSTRUCTION
REVISION SCHEDULE
NO. DATE DESCRIPTION
DRAWN BY: Author
Information contained on this drawing and all digital files produced for above named project may not be reproduced in any manner without express written or verbal consent from authorized project representatives.
SHEET
SINGLE LINE DIAGRAM AND NOTES
CONSULTANT PROJECT # 74250
DATE 03/24/23
SHEET NUMBER
E-502

SECTION C16100 ELECTRICAL GENERAL PROVISIONS

PART 1 - GENERAL

1.01 WORK INCLUDED
A. Provide all materials, labor and equipment required to furnish and install a complete electrical system as indicated on drawings and as specified herein.

1.02 REGULATORY REQUIREMENTS
A. Equipment furnished shall be UL listed where such label is available. Installation shall conform to UL standards where applicable.

B. Electrical work shall be installed in accordance with drawings and specifications, NEC and NFPA codes in effect at project location, state and local electrical and building codes and special codes having jurisdiction over specific portions within complete installation.

C. Obtain permits and certificates of approval from all authorities having jurisdiction over the installation and pay all fees required.

1.03 SUBMITTALS

A. Submit list of materials and equipment prior to manufacture, order or installation and within twenty days after award of contract for approval. Include each item of material and equipment whether or not shop drawings are also required. List shall include name of manufacturer, catalog number and other complete identification as well as dimensions and detailed data. Submittals shall be included for the following:
1. Lighting Fixtures
2. Panelboards/Breakers
3. Wiring Devices and Device Plates
4. Enclosed Switches

B. Certified shop drawings and submittals shall bear stamp of approval of contractor as evidence that drawings have been checked. Drawings submitted without this stamp of approval will not be considered and will be returned for proper resubmission.

C. If submittals show variances or substitutions from requirements of contract, contractor shall make specific mention of such variation in his letter of transmittal in order that, if acceptable, suitable action may be taken for proper adjustment. Otherwise contractor shall not be relieved of responsibility for executing work in accordance with contract even though such submittals have been approved.

1.04 SITE VISIT

A. Visit job site prior to bid date to determine actual conditions under which work shall be done, to familiarize oneself with project and to verify total scope of work required. Failure to do so shall not constitute a reason for an extra charge.

SECTION C16101 BASIC MATERIALS AND METHODS

PART 1 - GENERAL

1.01 COORDINATION
A. Obtain and review shop drawings, product data, and manufacturer's instructions for equipment furnished under other sections to determine connection locations and requirements.

B. Sequence rough-in of electrical connections to coordinate with installation and start-up of equipment furnished under other sections.

PART 2 - PRODUCTS

2.01 SUBSTITUTIONS
A. Where specifications list one or more manufacturers and do not include "or approved equal", furnish materials made by one of manufacturers listed. Where "or approved equal" is included, contractor may substitute equal products by another manufacturer subject to approval by engineer and owner.

PART 3 - EXECUTION

3.01 INSTALLATION
A. Make electrical connections to utilization equipment in accordance with equipment manufacturer's instructions.

B. Drawings are diagrammatic and shall not be scaled for exact sizes or locations, they are not intended to disclose absolute or unconditional knowledge of actual field conditions.

C. Protect work and materials from damage by weather, entrance of water and dirt. Cap conduit during installation. Avoid damage to materials and equipment in place.

D. Satisfactorily repair or remove and replace damaged work with new materials. Deliver equipment and materials to job site in original, unopened, labeled containers. Store ferrous materials to prevent rusting. Store finished materials and equipment to prevent staining and discoloring.

E. Trenches shall be excavated 6" below elevation of bottom of conduit.

F. Failure to route conduit through building without interfering with other equipment and construction shall not constitute a reason for an extra charge. Equipment, conduit and fixtures shall fit into available spaces in building and shall not be introduced into building at such times and manner as to cause damage to structure. Equipment requiring service shall be readily accessible.

3.02 TESTING AND EQUIPMENT SERVICING

A. Make test to ensure that entire system is in proper operating condition, and that adjustments and apparatus setting of circuit breakers, fuses, control equipment and apparatus have been made. Correct defects discovered during tests.

3.03 REMOVAL OF DEBRIS
A. Remove surplus materials and debris caused by, or incidental to, electrical work. Remove such debris at frequent intervals. Keep job clean during construction.

3.04 IDENTIFICATION OF EQUIPMENT
A. Identify electrical distribution equipment, disconnects, and contactors with black laminated plastic name-plates, attached with two screws, engraved with 1/4" high, white letters.

3.05 TEMPORARY LIGHTING AND POWER IN AREAS OF CONSTRUCTION

A. Provide, maintain and remove after construction is completed, temporary lighting adequate for workman safety and temporary power for all trades including any 3 phase power required.

B. Provide and maintain barricade lighting where required to adequately protect owner against liability for damage to public or personnel. All lamps used in barricade shall be 60 watt red, installed in weatherproof socket with wire guard. All wiring shall be approved for weatherproof installation.

C. Provide and maintain barricade lighting where required to adequately protect owner against liability for damage to public or personnel. All lamps used in barricade shall be 60 watt red, installed in weatherproof socket with wire guard. All wiring shall be approved for weatherproof installation.

3.06 GUARANTEE-WARRANTY

A. Guarantee work to be free from defects of materials and workmanship for a period of one year from date of final acceptance of building. Repair and replace defective work and other work damaged thereby which becomes defective during term of guarantee-warranty. Furnish owner with three written copies of guarantee-warranty.

SECTION C16120 RACEWAYS AND CONDUIT SYSTEMS

PART 1 - PRODUCTS

1.01 ACCEPTABLE MANUFACTURERS

A. Rigid IMC, and EMT conduit shall be hot-dipped, galvanized, or electro-galvanized steel by Allied, Republic, Triangle, Wheatland, or approved equal.

B. PVC conduit shall be Carlon, schedule 40, 90 degrees C. rated, unless otherwise noted.

C. MC cable shall be manufactured by AFC Cable Systems or approved equal. Type "AC-90" is not allowed. All MC Cables shall have a green equipment ground conductor and an additional isolated ground (green + yellow stripe) conductor for isolated ground circuits (POS system). Fittings used for connecting MC cable to boxes, cabinets, or other equipment shall be listed and identified for such use.

D. Associated couplings, connectors and fittings shall be steel as manufactured by Raco or equivalent. Catalog numbers used below are those of Raco.

E. Erickson Couplings, Series 1502, shall be used where neither length of conduit can be rotated.

F. Insulated bushings shall be series 1402.

G. EMT box connectors shall be compression or set-screw fittings.

H. Conduit, connectors, couplings and fittings shall be UL listed and labeled.

1.02 ELECTRICAL METALLIC TUBING (EMT)

A. Use Electrical Metallic Tubing (EMT) where drawings call for conduit to be:
1. Concealed in walls.
2. Installed above suspended ceilings.
3. Installed exposed, above 6 feet.
4. Installed for panelboard feeders above slab.

1.03 INTERMEDIATE METAL CONDUIT (IMC)

A. Use Intermediate Metal Conduit (IMC) where drawings call for conduit to be:
1. Installed for panelboard feeders ran below ground.
2. Installed in wet locations (interior and exterior).
3. Installed exposed below 6 feet.

1.04 POLYVINYL CHLORIDE (PVC) RACEWAY

A. Use PVC raceway for:
1. Underground service entrance conduits for telephone and power.
2. Exterior branch circuits installed underground.
3. Interior branch circuit conduits installed in or under concrete slab on ground floor.

1.05 RIGID STEEL CONDUIT (RSC)

A. Use Rigid Steel Conduit for:
1. Install underground for power Service Entrance elbows penetrating floor slab.
2. Exposed to physical damage.

1.06 FLEXIBLE METAL CONDUIT

A. Provide flexible metal conduit for termination at equipment subject to motion and vibration.
B. Length shall not exceed 6 feet in accessible ceiling areas.
C. Shall not be concealed in walls.

D. Where exposed to continuous or intermittent moisture, conduit shall be UL Type EF liquidtight or type as indicated.

E. For connection to ceiling mounted lighting fixtures from outlet boxes.

1.07 MC (METAL-CLAD) CABLE

A. MC Cable shall be UL listed per standard 1569, color coded copper conductors (type THHN), the sheathing shall be constructed of interlocking galvanized steel, and shall conform to the requirements of Article 330 of the National Electrical Code.

B. MC Cable with an isolated grounding conductor shall be used, concealed above ceiling and in walls, for the connection of the Point Of Sales (POS) system equipment from the isolated ground receptacles to the panelboard serving the POS loads when allowed by local codes and Article 330 of the National Electrical Code.

C. MC Cable may be used when allowed by local codes and Article 330 of the National Electrical Code for branch circuits (except the main homerun to the panelboard which shall be conduit with conductors) for the following:
1. Lighting
2. Dining area receptacles
3. Fly Lights
4. Building mounted signage
5. Office area receptacles

D. MC Cable shall not be used for branch circuits serving Kitchen Equipment Items and similar circuits in the Kitchen, the Drive-Thru area, and the Serving area's back counter.

PART 2 - EXECUTION

2.01 INSTALLATION

A. Minimum size of conduits shall be 1/2 inch.

B. Run concealed conduits in direct line with long sweep bends or offsets. Run exposed conduits parallel to and at right angles to building lines. Group multiple conduit runs in banks.

C. Cap ends of conduits to prevent entrance of water and other foreign material during construction.

D. Provide No. 12 AWG copper pull wires or nylon cord in all empty conduits. Steel wire not acceptable as pull wire.

E. Where IMC enters a cabinet, junction box, or pull box conductors shall be protected by an insulated bushing. Locknuts shall be installed on conduit outside and inside enclosure.

F. In areas where enclosed and gasketed fixtures and weatherproof devices are specified, where Rigid Conduit enters a sheet metal enclosure, junction box and outlet box, and not terminated in a threaded hub, a steel, or malleable iron nylon insulated hub, complete with recessed sealing "O" ring or sealing locknut shall be used.

G. Provide seal-off fitting in all conduits entering a cold temperature area such as freezers and dry refrigerators.

H. In concrete slabs, block up conduit from forms and securely fasten in place. all conduits in slabs shall have a minimum of 4" inches concrete coverage above.

I. Failure to route conduit through building without interfering with other equipment, and construction shall not constitute a reason for an extra charge. Equipment, conduit, and fixtures shall fit into available spaces in building and shall not be introduced into building at such times and manner as to cause damage to structure or equipment. Equipment requiring servicing shall be readily accessible.

2.02 EMT (ELECTRICAL METALLIC TUBING) RACEWAY

A. Do not use Electrical Metallic Tubing in cinder concrete or cinder fill or where conduit system is in contact with dissimilar metals or in wet locations.

2.03 PVC RACEWAY

A. Use threaded fittings for all connectors and adapters.
B. Provide 1/4-inch nylon pull rope in all primary power and incoming telephone service entrance conduits.

C. PVC conduit shall convert to galvanized rigid metal per detail on drawings.

2.04 FLEXIBLE METAL CONDUIT

A. Where fittings for liquid tight flexible conduit are brought into an enclosure with a knock-out, a gasket assembly, consisting of one piece "O" ring, with Buna-N sealing material, series 3400, shall be installed on outside of box. Fittings shall be made of either steel or malleable iron only, and shall have insulated throats or insulated bushings.

B. In dry locations, where final connections to motors and other equipment may be made with Flexible Metal Conduit, fittings shall be of steel or malleable iron only with insulated throats or insulated bushings, and shall be of wedge and screw type having an angular wedge fitting between convolutions of conduit.

2.05 MC CABLE

A. MC Cable may be used for branch circuits as noted in Part 1 above and where the local code allows use of MC Cable. The installation shall conform to Article 330 of the National Electrical Code and shall be concealed in walls and above ceilings. (Exposed MC Cable will not be acceptable.)

B. MC Cables shall be secured and supported by the building structure per the National Electrical Code and any local code requirements. MC Cable shall not lay on ceilings.

SECTION C16121 CONDUCTORS

PART 1 - PRODUCTS

1.01 CONDUCTORS

A. Provide 98% conductivity copper conductors with 600-volt insulation. For conductors No. 12 AWG and No. 10 AWG, provide solid type. For all conductors No. 8 AWG and larger, provide stranded type. All conductors shall have THHN/THWN insulation unless noted otherwise.

B. Conductors shall be manufactured by Triangle, American, Rome, Southwire or approved equal.

C. Provide No. 14 AWG type THHN fixture conductors, for conductors entering lighting fixtures.

D. Branch circuit conductors shall be minimum #12 AWG, copper.

PART 2 - EXECUTION

2.01 INSTALLATION

A. Install pull boxes in circuits or feeders over 100 feet long.

B. Make all splices or connections only at outlet, pull or junction boxes.

C. All conductors and connections shall test free of grounds, shorts, and opens prior to energizing circuit.

D. Provide No. 10 wire in lieu of No. 12 wire for any branch circuit in excess of 100 feet linear length to prevent excessive voltage drop.

E. Use Ideal wing nuts, Scotchlok Type Y, R, G, or B, or approved equivalent connectors for fixture connections at outlet boxes.

F. Make feeder taps and joints with OZ Type T, PT, PM or PTS, or approved equivalent clamp connectors as manufactured by Kuplet, or with approved compression sleeves. Wrap connectors with No. 10 Electro-Seal or approved equivalent plastic filler and vinyl tape.

G. Leave a minimum of 8" slack wire in every outlet box.

H. Provide color coded wire and with a different color for each phase and neutral and ground as follows: Phase A, B, C: Black, Red and Blue respectively; Neutral: White; Isolated Ground: Green with Yellow Stripes. Approved color tape is acceptable for feeders using larger than #6 conductors.

I. All conductors shall be continuous from origin to panel or equipment termination without splices where possible. Where splices and taps are necessary or are required, they shall be made in splice boxes with suitable connectors.

J. Tighten all electrical connectors and terminals, including screws and bolts, in accordance with manufacturer's published torque tightening values. Where manufacturer's torquing requirements are not indicated, tighten connectors and terminals to comply with tightening torques specified in UL486A and UL486B.

SECTION C16122 OUTLET AND JUNCTION BOXES

PART 1 - GENERAL

1.01 PROJECT CONDITIONS

A. Verify field measurements are as shown on drawings.

B. Verify locations of floor boxes and outlets in work areas prior to rough-in.

PART 2 - PRODUCTS

2.01 OUTLET BOXES

A. Sheet metal outlet boxes: galvanized steel.

B. Cast boxes: type FS, cast fer alloy. Provide gasketed cover by box manufacturer.

C. Manufacturers: National, Appleton, General Electric, RACO, or Steel City.

D. Provide boxes for fixtures with fixture studs in center.

E. Outlet boxes for lighting, switches and receptacles in interior areas with exposed conduit shall be pressed steel and in exterior areas with exposed conduit shall be cast metal with threaded hubs, "FS" type. Use galvanized steel for concealed boxes. Boxes shall be 1-1/2" deep minimum.

2.02 PULL AND JUNCTION BOXES

A. Sheet metal boxes: galvanized steel.

B. Surface-mounted cast metal box: type 4; flat-flanged, surface-mounted junction box.
1. Material: galvanized cast iron.
2. Cover: furnish with ground flange, neoprene gasket, and stainless steel cover screws.

C. In-ground cast metal box: inside flanged, recessed cover box for flush mounting.
1. Material: galvanized cast iron.
2. Cover: nonskid cover with neoprene gasket and stainless steel cover screws.
3. Cover legend: electric.
D. Manufacturers: National, Appleton, General Electric, RACO, Oz-Gedney or Steel City.

PART 3 - EXECUTION

3.01 INSTALLATION

A. Install electrical boxes as shown on drawings, and as required for splices, taps, wire pulling, equipment connections and compliance with regulatory requirements.

B. Install pull boxes and junction boxes above accessible ceilings.

C. Inaccessible ceiling areas: install outlet and junction boxes no more than 6 inches from ceiling access panel or from removable recessed light fixture.

D. Use flush mounting outlet boxes in finished areas.

E. Use stamped steel bridges to fasten flush mounting outlet box between studs.

F. Install flush mounted box without damaging wall insulation or reducing its effectiveness.

G. Use adjustable steel channel fasteners for hung ceiling outlet box.

H. Do not fasten boxes to ceiling suspension wires.

I. Support boxes independently of conduit, except cast box that is connected to two Rigid Metal Conduits both supported within 12 inches of box.

J. Use gang box where more than one device is mounted together. Do not use sectional box.

K. Use gang box with plaster ring for single device outlets.

L. Use cast outlet box in exterior locations and wet locations.

3.02 OUTLET BOXES

A. Select boxes according to intended use and type of outlet. Ceiling outlet boxes shall be 4" octagon and 1-1/2" deep. Use 2-1/8" deep octagon boxes or 4" square boxes required. All ceiling outlet boxes shall have a fixture stud of no bolt self-locking type installed if required to hang the fixture specified at the outlet.

3.03 JUNCTION BOXES

A. Junction boxes shall be sized according to number of conductors in box or type of service to be provided. Minimum junction box size 4-11/16" square and 2-1/8" deep. Provide screw covers for junction boxes.

B. Use code gauge steel with screw covers for pull boxes with prime coat and provide with screw cover. Size pull boxes according to the NEC.

C. Provide pull box every 100 feet of conduit run or where excessive number of bends necessitates a box for ease of wire installation.

SECTION C16123 GROUNDING AND BONDING

PART 1 - PRODUCTS

1.01 ROD ELECTRODES

A. Material: copper-clad steel.

B. Diameter: 3/4 inch.

C. Length: 10 feet.

1.02 MECHANICAL CONNECTORS

A. Material: bronze.

1.03 GROUNDING CONDUCTOR (WIRE)

A. Material: stranded copper, sized to meet NFPA 70, Article 250 requirements.

PART 2 - EXECUTION

2.01 INSTALLATION
A. Install rod electrodes at locations indicated. Install additional rod electrodes as required to achieve resistance to ground of less than 25 ohms.

B. Provide grounding electrode conductor and connect to reinforcing steel in foundation footing.

C. Provide bonding to meet regulatory requirements.

D. Bond together each metallic raceway, pipe, duct and other metal objects.

E. Provide isolated grounding conductor for circuits supplying all isolated ground outlets. Insulation shall be green with yellow stripe. Size per NEC Table 250.66. This isolated grounding conductor shall run in addition to equipment grounding conductor and along with the branch circuit conductors.

2.02 GROUNDING

A. Ground electrical system in accordance with NEC Article 250 and local authorities having jurisdiction.

B. Install a #3/0 bare copper wire bond across the water meter attached to ground clamps on water line on each side of meter. Arrangements shall be made to do this work at the time the water meter is installed.

C. From the point of entrance of the water main into the building and on the meter side of the main inside water valve and union install a stranded copper cable #3/0 in 1-1/4" conduit to the main distribution panel. Connect the cable to the equipment ground bus.

D. Install a green equipment grounding conductor in each raceway, sized per NEC Table 250-122. Terminate on equipment ground bus within panelboard serving load.

E. Install #6 awg copper grounding conductor from ground bar in main telephone box to inter system bonding termination to grounded neutral bus in main distribution panel.

F. All separate grounding electrode conductors shall be bonded together to limit potential differences between them and between their associated wiring systems. This includes the power system, telephone system, etc.

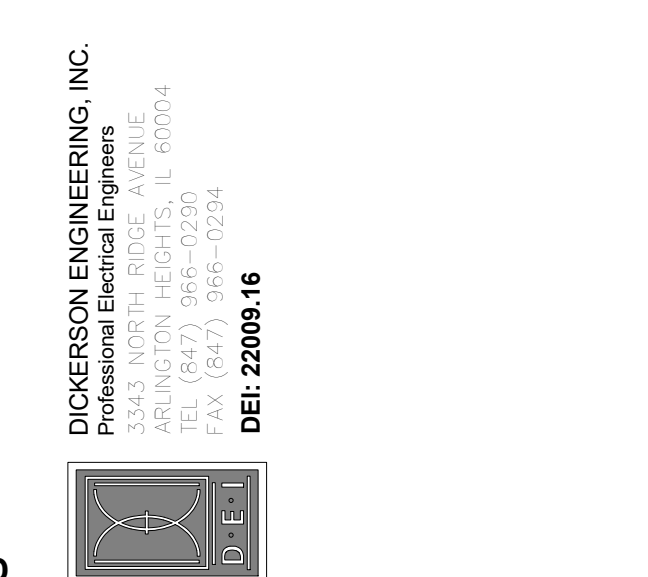
2.03 FIELD QUALITY CONTROL

A. Inspect grounding and bonding system conductors and connections for tightness and proper installation.

3/24/2023 9:40:24 AM Autodesk Docs://IN_04978_WestCarmel (IN)FSU_2022.7_FSR04978_WestCarmel (IN)FSU_ELE.rvt 50-LS-04978-E-901-ELECTRICAL SPECIFICATIONS



Chick-fil-A
Chick-fil-A
5200 Buffington Road
Atlanta, Georgia
30349-2998



CHICK-FIL-A
WEST CARMEL FSU
9965 N. MICHIGAN ROAD
CARMEL, IN 46032

FSR#04978

BUILDING TYPE / SIZE: P14 LS
RELEASE: 22.08

ISSUED FOR CONSTRUCTION

REVISION SCHEDULE
NO. DATE DESCRIPTION

CONSULTANT PROJECT # 74250
DATE 03/24/23

DRAWN BY: Author
Information contained on this drawing and in all digital files produced for above named project may not be reproduced in any manner without express written or verbal consent from authorized project representatives.

SHEET ELECTRICAL SPECIFICATIONS

SHEET NUMBER

E-901