



Chick-fil-A
 5200 Buffington Road
 Atlanta, Georgia
 30349-2998

INTERPLAN
 INTERPLAN LLC
 AR0011595
 CA 8660
 ARCHITECTURE
 ENGINEERING
 PERMITTING

220 E. CENTRAL PKWY, STE 4000
 ALTAMONTE SPRINGS, FL 32701
 407.645.5008

SEAL:



CHICK-FIL-A
 Washington RD
 3066 Washington RD
 Augusta, GA 30907

FSR#00825
 BUILDING TYPE / SIZE: P13 SE LRG ALL
 RELEASE: 21.05

REVISION SCHEDULE		
NO.	DATE	DESCRIPTION
1	09.09.21	OPERATOR COMMENTS
4	12.02.21	ARCH/CIVIL COORDINATION

CONSULTANT PROJECT #		2020.0739
PRINTED FOR	FOR CONSTRUCTION	
DATE	06/24/21	
DRAWN BY	JPM	

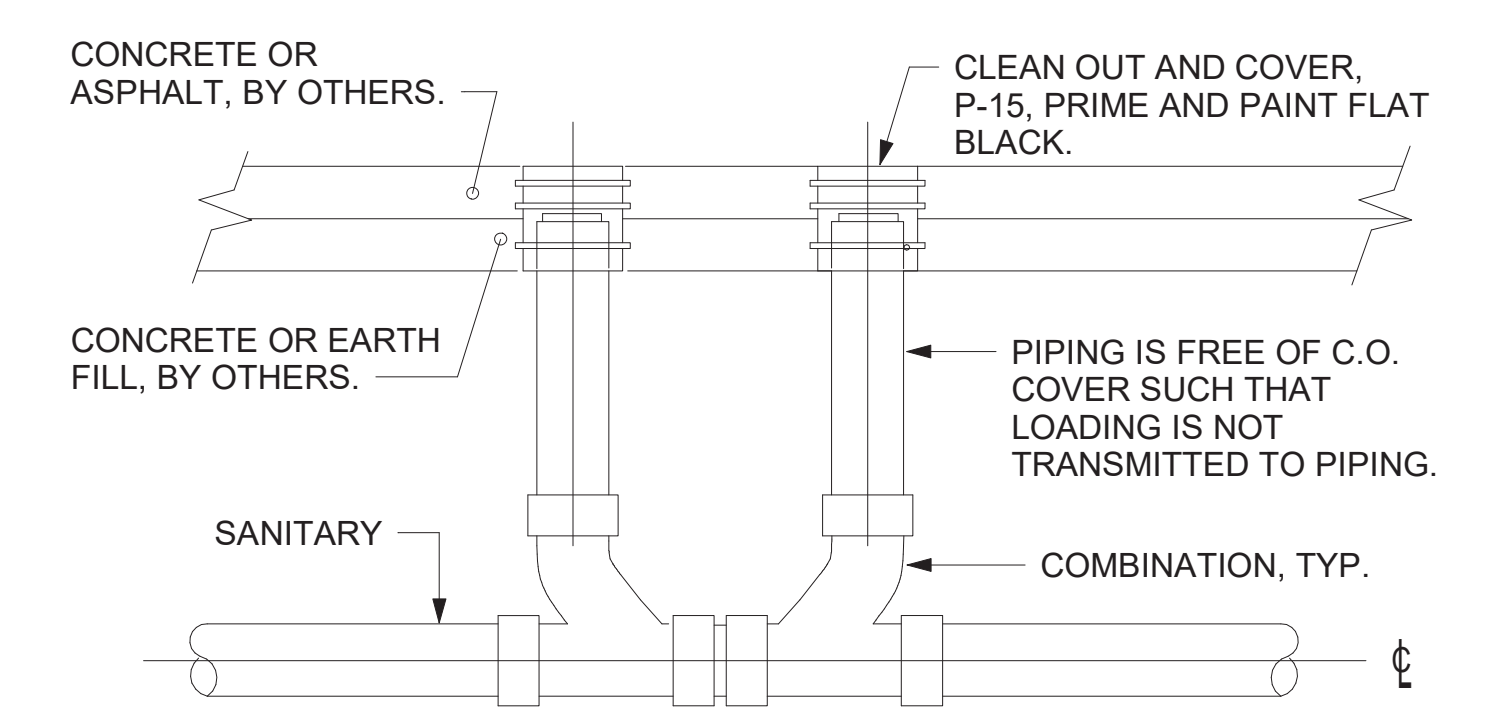
Information contained on this drawing and in all digital files produced for above named project may not be reproduced in any manner without express written or verbal consent from authorized project representatives.

3 SHEETS
 BELOW SLAB PLUMBING PLAN

SHEET NUMBER
P-101
 JONLOP - 02/17/2022 3:08:54 PM

5. SHEET NOTES

- COORDINATE INSTALLATION OF SANITARY PIPING WITH FOOTINGS IN THE FIELD. SLEEVE PENETRATIONS IN FOOTINGS WITH PVC.
- COMBINATION WASTE AND VENT SYSTEM SHOWN HERE. WHERE REQUIRED BY LOCAL AUTHORITY HAVING JURISDICTION, PROVIDE SAFE-WASTE SYSTEM OR DEDICATED VENT SYSTEM AS OUTLINED IN STATE AND LOCAL CODE AMENDMENTS.
- ALL WATER PIPING INSTALLED WITHIN EXTERIOR WALLS SHALL BE LOCATED ON THE INTERIOR SIDE OF THE INSULATION.
- ALL VENT PIPING TO BE 2" DIAMETER MIN U.N.O. SEE 1/P-301 FOR VENT LAYOUT.

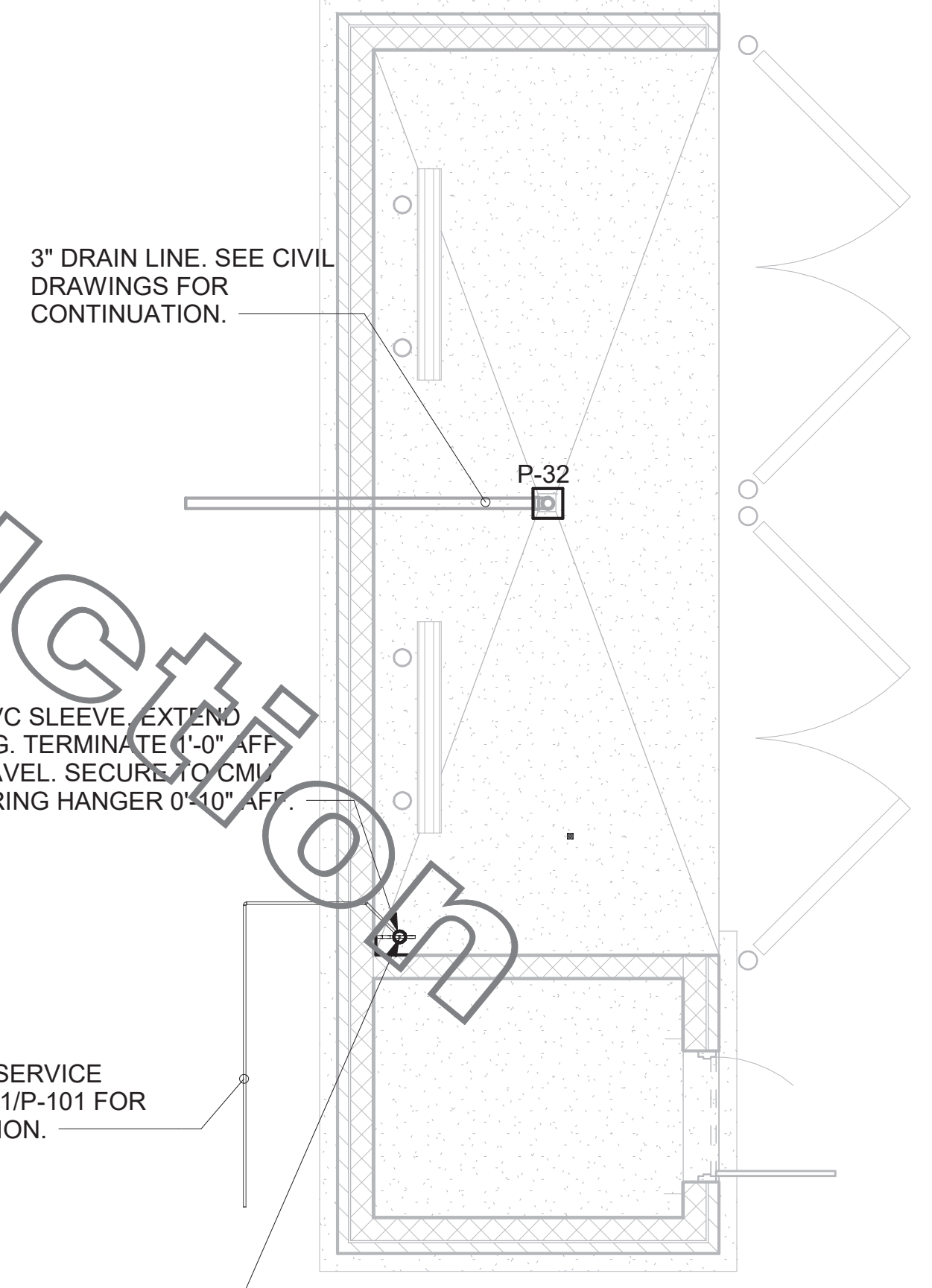


④ SAN. C.O. OUTSIDE BUILDING NOT TO SCALE

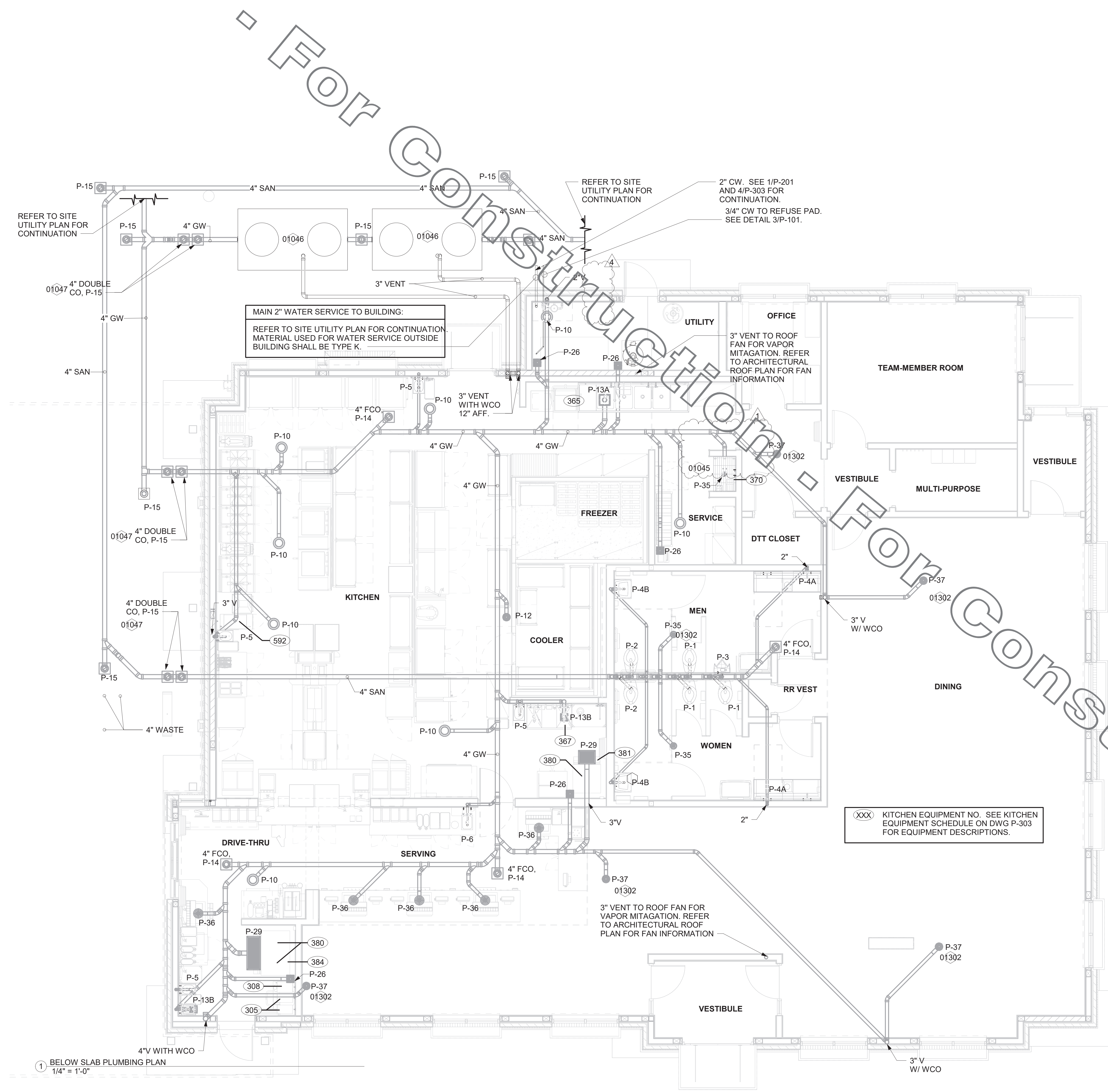
KEY NOTES

- 01045 INSTALL FLOOR DRAIN P-35 AT MOP SINK DEPRESSION WITH TOP OF STRAINER 0'-7" BFF.
- 01046 GREASE TRAP - REFER TO DETAIL 2/P-101, REFER TO SITE UTILITY PLAN SHEET FOR EXACT LOCATION.
- 01047 4" DOUBLE CO, P-15. SEE DETAIL 4/P-101.
- 01302 PROVIDE TRAP SEAL PROTECTOR P-26A.

METHOD OF DRAINAGE AT REFUSE PAD -
 WHEN AREA DRAIN IS SHOWN ON CIVIL PLANS, SEE FIXTURE P-32 SPECIFICATION ON DRAWING P-301 FOR MAKE AND MODEL OF DRAIN, DRAIN AND PIPING PROVIDED AND INSTALLED BY CHICK-FIL-A SITE CONTRACTOR. WHEN AREA DRAIN IS NOT SHOWN, REFER TO ARCHITECTURAL DRAWINGS FOR DESIGN OPTION SHOWING DRAINAGE THROUGH BACK OF DUMPSTER ENCLOSURE.



③ REFUSE PAD PLUMBING PLAN 1/4" = 1'-0"



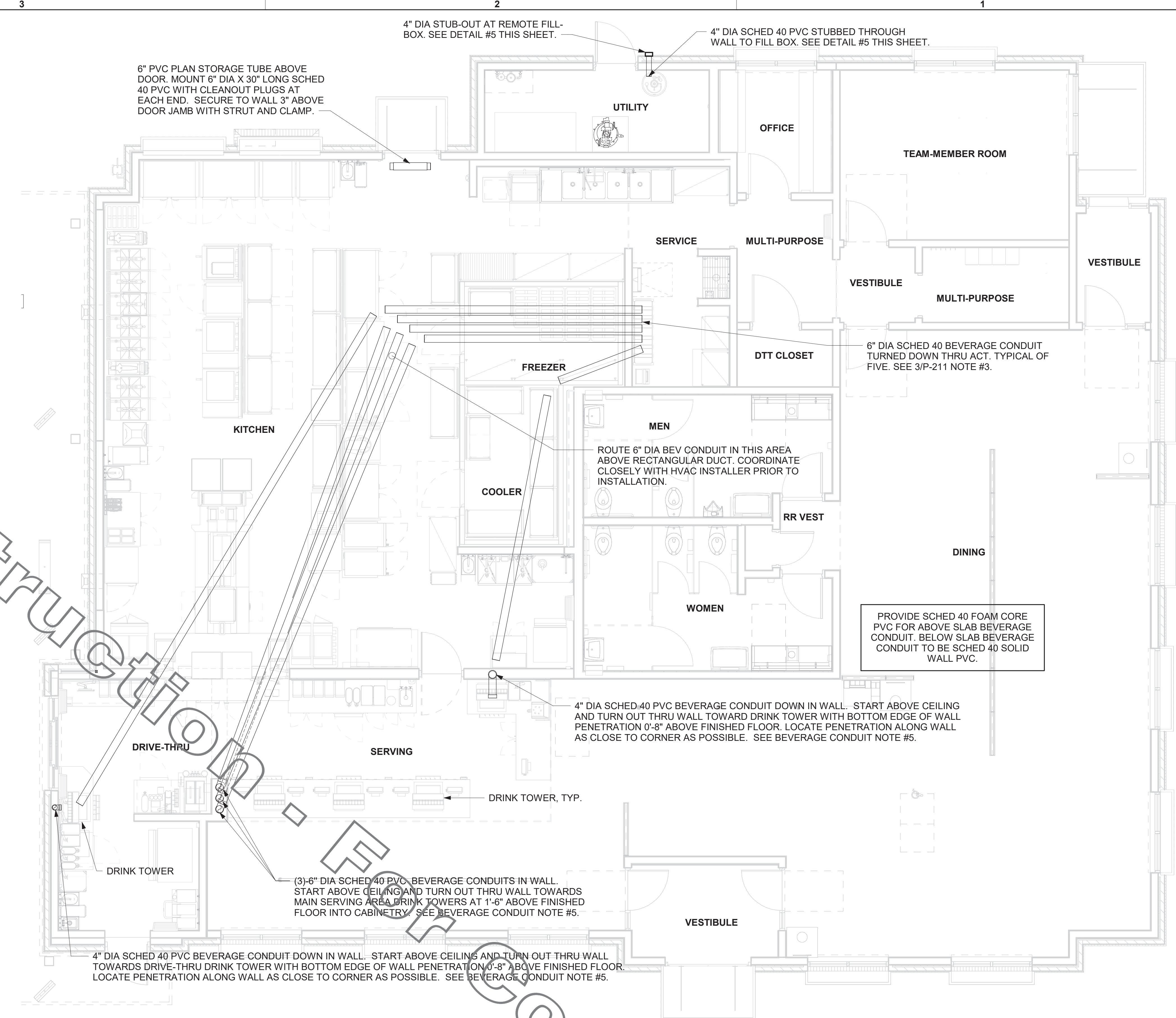
① BELOW SLAB PLUMBING PLAN 1/4" = 1'-0"

BIM:360/JGA_00825_Washington Road FSL_2021.6_FSR00825_Washington Road FSL_PLE.rvt
 2/17/2022 1:39:15 PM
 40-SE LRG-00825-P-101-BELOW SLAB PLUMBING PLAN

FOR CONSTRUCTION
 COPYRIGHT © 2020 INTERPLAN LLC. RESERVES COPYRIGHT & OTHER RIGHTS RESTRICTING THESE DOCUMENTS TO THE ORIGINAL SITE OR PURPOSE FOR WHICH THEY WERE PREPARED. REPRODUCTIONS, REISSUES OR ASSIGNMENTS ARE PROHIBITED.

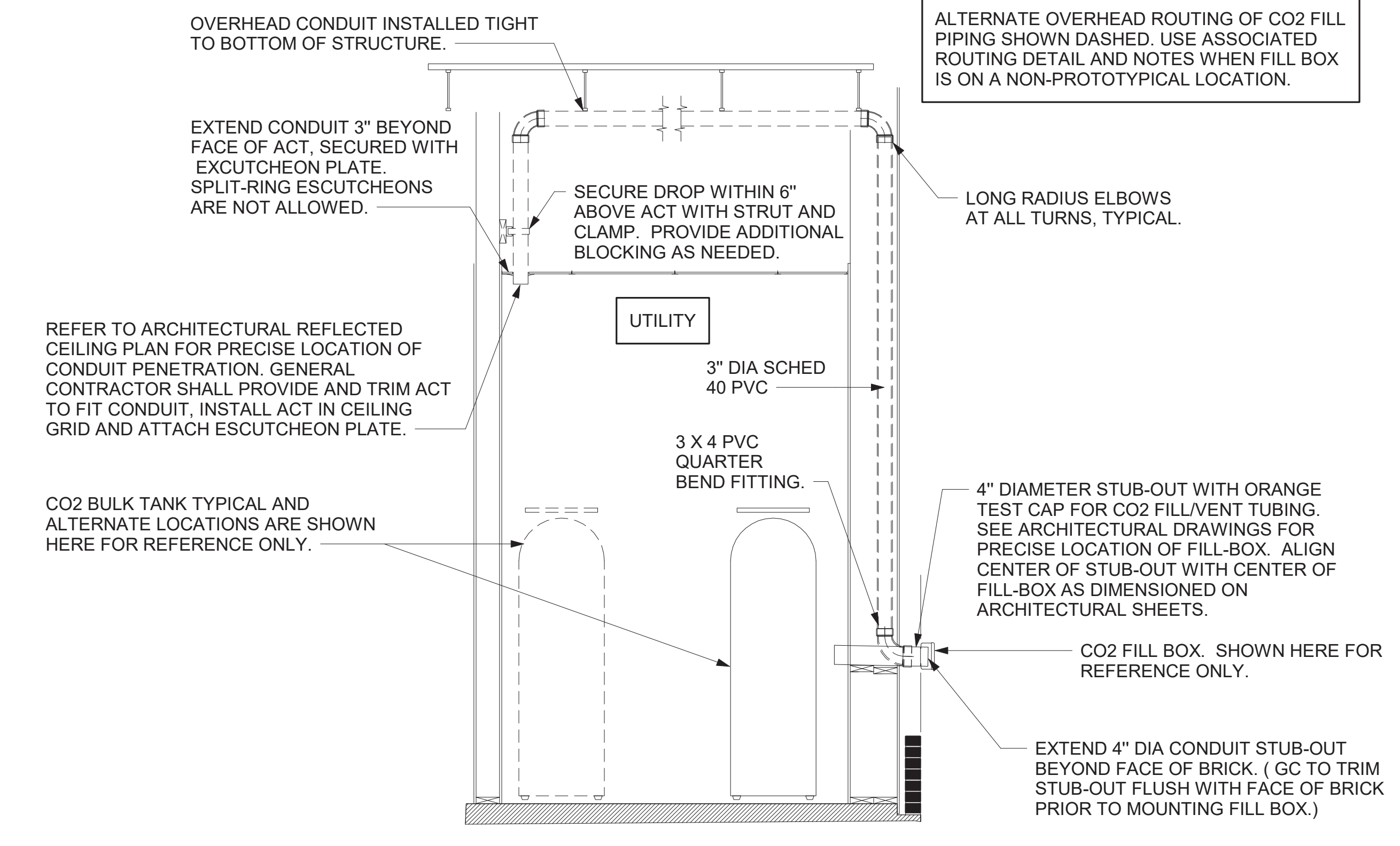
2. BEVERAGE CONDUIT NOTES

- ROUTE BEVERAGE SYSTEM PIPING OVERHEAD FROM THE BEVERAGE RACK TO DRINK TOWERS IN FOUR (4)-6" DIA SCH 40 PVC DWV CONDUITS. ALL CONDUIT SHALL BE HELD TIGHT TO STRUCTURE AND SUPPORTED WITH THREADED ROD AND CLEVIS HANGERS AT INTERVALS SHOWN IN SPECIFICATIONS FOR HORIZONTAL OVERHEAD PIPING. COORDINATE ROUTING WITH THE GENERAL CONTRACTOR TO AVOID MECHANICAL AND ELECTRICAL SYSTEMS. SEE 1/P-101 AND 1/P-221 FOR BELOW-SLAB BEVERAGE CONDUIT.
- COORDINATE ROUTING OF ALL CONDUITS WITH HVAC DUCT IN KITCHEN. SEE SHEET M-201 FOR LOCATION OF AC UNITS AND DUCT ROUTING.
- TURN THE 6" DIA CONDUIT DOWN THROUGH THE CEILING AT THE BEVERAGE RACK AND PROVIDE CHROMED ESCUTCHEONS AT CEILING PENETRATIONS. TERMINATE OPPOSITE END ABOVE CEILING WHERE SHOWN ON PLANS.
- AT 6" DIA CONDUIT DROP IN DRIVE-THRU, PROVIDE 1/8TH BEND FITTING WITH SHORT PIPE STUB AT BASE OF DROP. CUT STUB AND FITTING FLUSH WITH FINISHED WALL.
- FOR BEVERAGE CONDUIT DROPS AT WALLS WITH SHEATHING EXTENDED ABOVE THE CEILING, PROVIDE APPROPRIATE FITTING AT UPPER END OF CONDUIT DROP TO EXTEND CONDUIT THROUGH SHEATHING.
- INSTALL CONTINUOUS CONDUIT FROM CO2 FILL-BOX LOCATION TO BULK CO2 TANK AS SHOWN ON PLANS AND DETAILS. COORDINATE 4" CONDUIT WALL STUB INSTALLATION CLOSELY WITH GENERAL CONTRACTOR AND BRICK MASON. PRIOR TO COVERING UP OF CONDUIT, VERIFY WITH GENERAL CONTRACTOR THE FULL LENGTH OF FILL/VENT TUBING MAY BE INSTALLED AND SUBSEQUENTLY REMOVED FROM CONDUIT. SEE PLAN AND DETAIL #5 THIS SHEET.

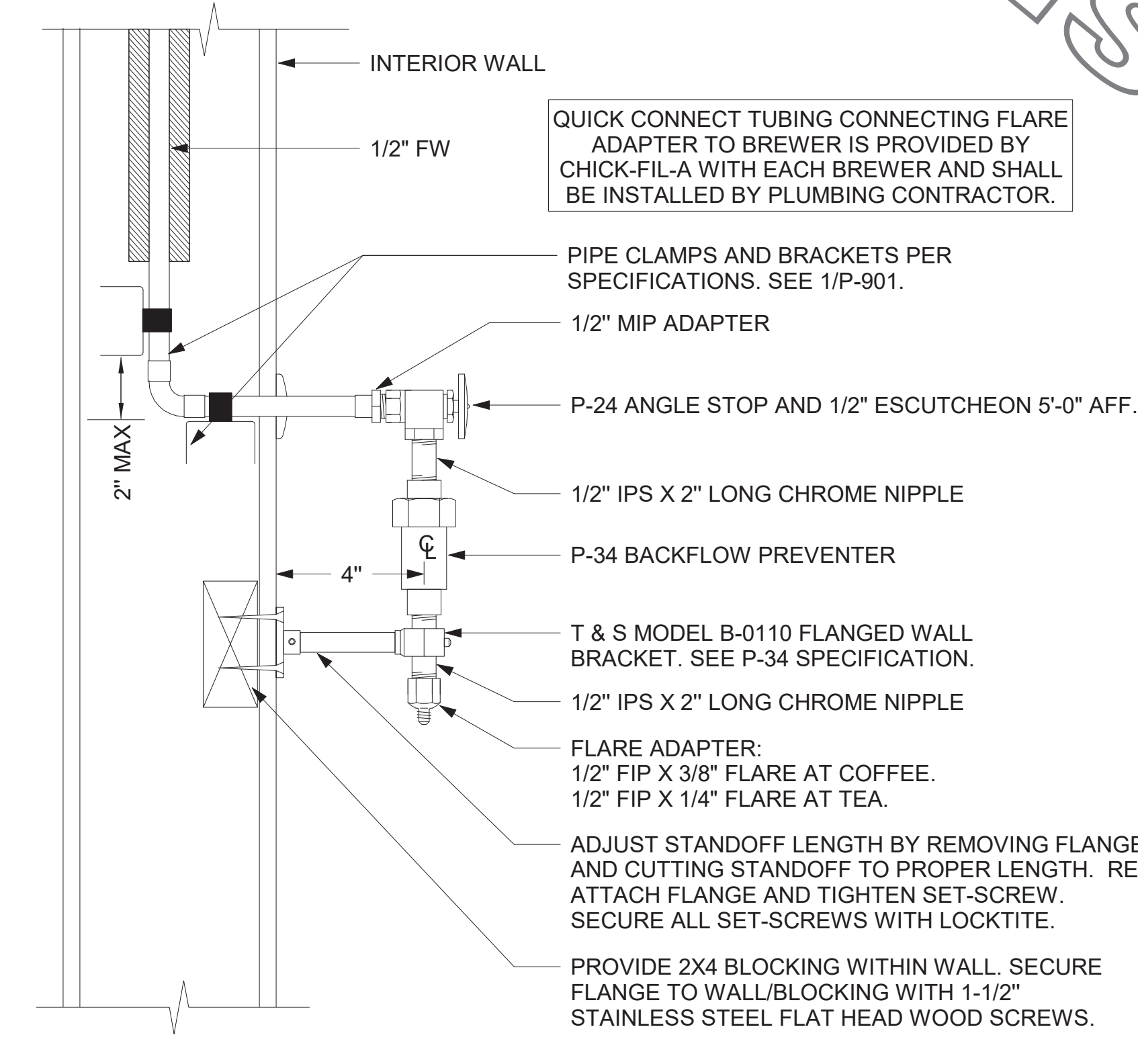


CO2 FILL BOX, FILL TUBING, AND VENT LINE SET PROVIDED BY CHICK-FIL-A AND INSTALLED BY GC. GC TO COORDINATE REQUIRED LENGTH OF TUBING AND LINE SET FROM FILL BOX TO TANK LOCATION WITH TMS. LENGTH NOT TO EXCEED 100 FT. FINAL CONNECTION BY CO2 VENDOR.

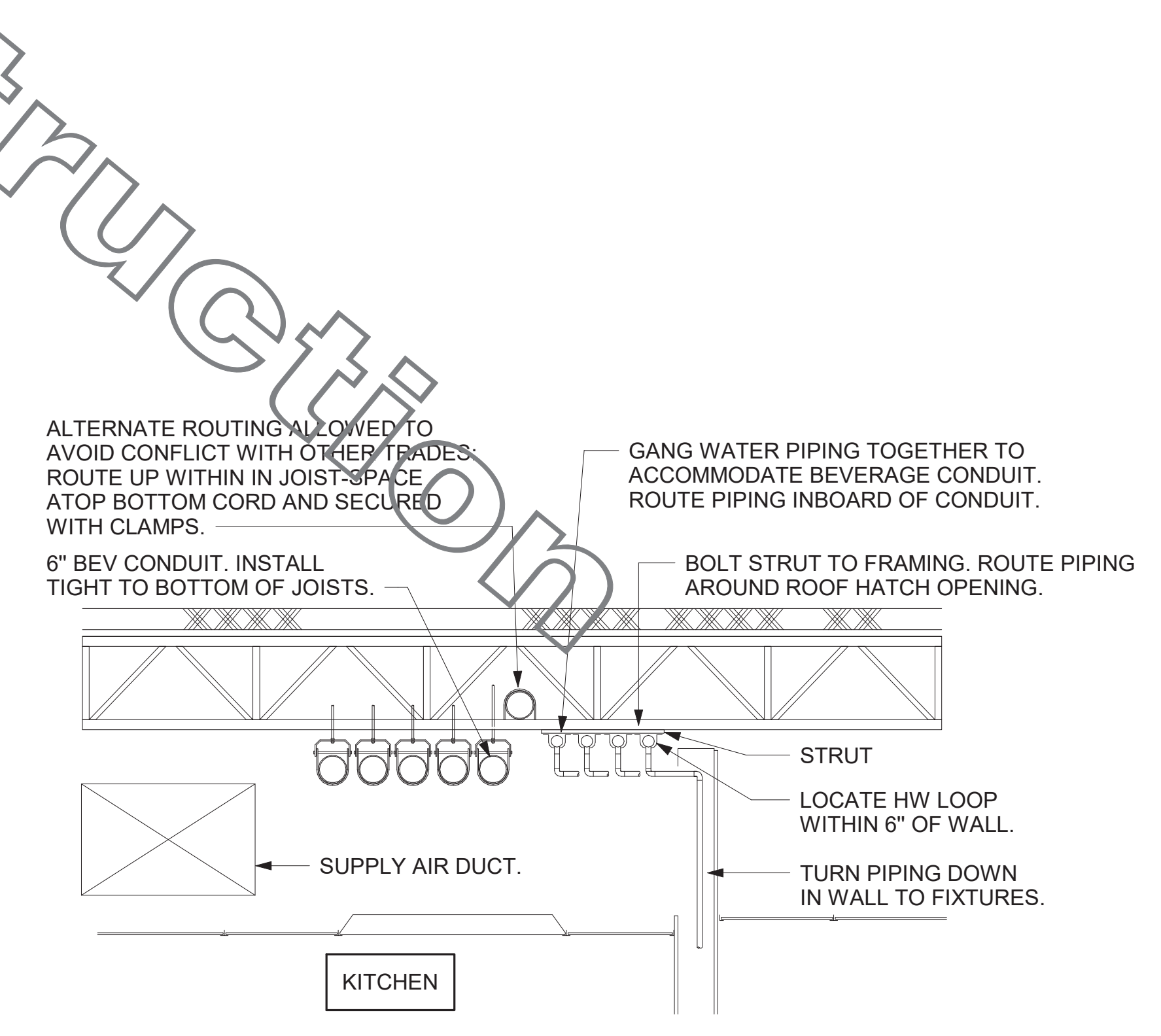
1 BEVERAGE CONDUIT PIPING PLAN
1/4" = 1'-0"



5 CO2 FILL/VENT CONDUIT AND FILL-BOX INSTALLATION
NOT TO SCALE



4 COFFEE & TEA BREWER STOP & BFP
1/4" = 1'-0"



3 SECTION AT WET WALL
NOT TO SCALE



Chick-fil-A

Chick-fil-A
5200 Buffington Road
Atlanta, Georgia
30349-2998

INTERPLAN
INTERPLAN LLC
AR0011595
CA 8660

ARCHITECTURE
ENGINEERING
PERMITTING

220 E. CENTRAL PKWY, STE 4000
ALTA MONTÉ SPRINGS, FL 32701
407.645.5008



CHICK-FIL-A
Washington RD
3066 Washington RD
Augusta, GA 30907

FSR#00825
BUILDING TYPE / SIZE: P13 SE LRG ALL
RELEASE: 21.05

REVISION SCHEDULE		
NO.	DATE	DESCRIPTION
1	09.09.21	OPERATOR COMMENTS

FOR CONSTRUCTION

CONSULTANT PROJECT # 2020.0739
PRINTED FOR FOR CONSTRUCTION
DATE 06/24/21
DRAWN BY JPM

Information contained on this drawing and in all digital files produced for above named project may not be reproduced in any manner without express written or verbal consent from authorized project representatives.

SHEET BEVERAGE CONDUIT PLAN

SHEET NUMBER

P-211
JONLOP - 02/17/2022 3:08:29 PM

BIM:360/IGA_00825_Washington Road FSU_2021.6_FSR#00825_Washington Road FSU_PLE.rvt
 2/17/2022 1:38:34 PM
 40-SE LRG-00825-P-211-BEVERAGE CONDUIT PLAN

NOTE OF SPECIAL IMPORTANCE:

BELOW-SLAB BEVERAGE CONDUIT SHALL BE 6" DIAMETER SCHED 40 DWV SOLID WALL, NO FOAM CORE ALLOWED. USE LONG RADIUS ELBOWS (A.K.A. SWEEPS) ON ALL BEVERAGE CONDUIT. PLEASE NOTE BEVERAGE CONDUIT ROUGH-IN LOCATIONS ARE MEASURED TO THE FRACTION OF AN INCH. CARE MUST BE TAKEN WHEN INSTALLING 6" DIAMETER CONDUIT LOCATED WITHIN A 2X8 WALL. THE MARGIN FOR ERROR IS ONLY 1/16TH INCH.

IMPORTANT NOTE TO INSTALLER

EXERCISE CAUTION WHEN LOCATING ROUGH-INS AT:
 -DRIVE THRU AREA
 -CUSTOMER WAIT AREA
 DO NOT PULL TAPE FROM THE SLAB EDGE AT THESE AREAS WITHOUT COMPENSATING FOR DIFFERENCE IN OFFSETS. NOTE OFFSET AT BACK CORNER OF BUILDING.

MOP SINK NOTE

IMPORTANT: INSTALL P-35 FLOOR DRAIN WITH TOP OF DRAIN 0'-7" BFF. COORDINATE WITH GENERAL CONTRACTOR. SEE ARCHITECTURAL AND STRUCTURAL PLANS.

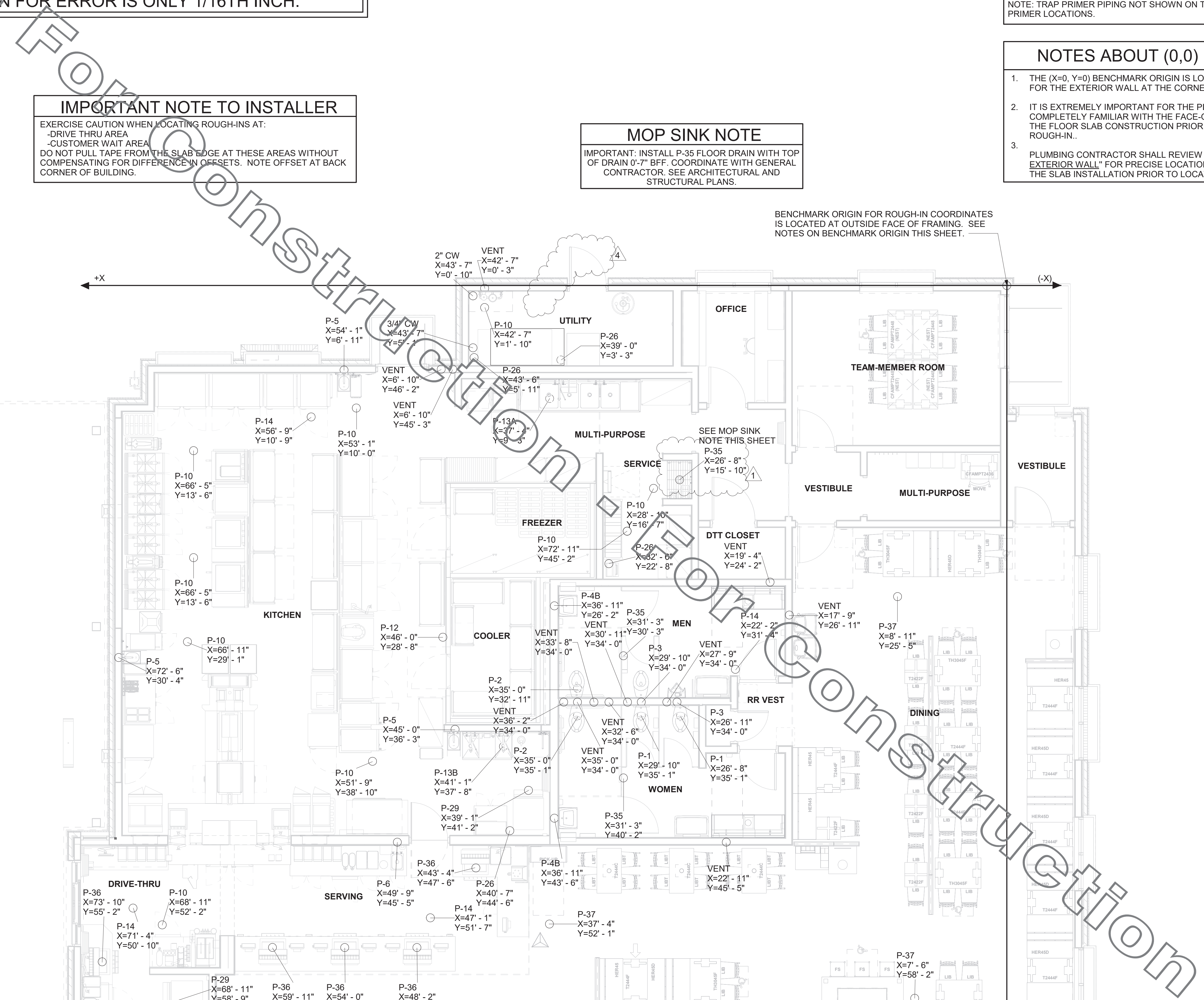
COORDINATE LEGEND

TYPE	EXAMPLE	PIPE COORDINATES
#1	CW X=43'8" Y=14'7"	APPLIES TO WATER PIPING ROUGH-IN PENETRATION ONLY. SEE P-101 FOR CONTINUATION.
#2	VENT X=43'8" Y=14'7"	APPLIES TO DWV PENETRATION ONLY.
#3	6" BEV COND X=43'8" Y=27'3"	APPLIES TO 6" BEVERAGE CONDUIT PENETRATION ONLY.

NOTE: TRAP PRIMER PIPING NOT SHOWN ON THIS PLAN. SEE 1/P-101 FOR TRAP PRIMER LOCATIONS.

NOTES ABOUT (0,0) BENCHMARK ORIGIN

- THE (X=0, Y=0) BENCHMARK ORIGIN IS LOCATED AT THE OUTSIDE FACE OF FRAMING FOR THE EXTERIOR WALL AT THE CORNER WHERE SHOWN ON THE ADJACENT PLAN.
- IT IS EXTREMELY IMPORTANT FOR THE PLUMBING INSTALLER TO BECOME COMPLETELY FAMILIAR WITH THE FACE-OF-FRAMING POSITION AND ITS RELATION TO THE FLOOR SLAB CONSTRUCTION PRIOR TO BEGINNING THE UNDERSLAB PLUMBING ROUGH-IN.
- PLUMBING CONTRACTOR SHALL REVIEW STRUCTURAL DETAIL "TYPICAL SECTION @ EXTERIOR WALL" FOR PRECISE LOCATION OF FACE-OF-FRAMING WITH RESPECT TO THE SLAB INSTALLATION PRIOR TO LOCATING SLAB ROUGH-INS.



1 SLAB ROUGH-IN PLAN
 1/4" = 1'-0"



Chick-fil-A

Chick-fil-A
 5200 Buffington Road
 Atlanta, Georgia
 30349-2998

INTERPLAN

INTERPLAN LLC
 AR0011595
 CA 8660

ARCHITECTURE ENGINEERING PERMITTING

220 E. CENTRAL PKWY, STE 4000
 ALTAMONTE SPRINGS, FL 32701
 407.645.5008

SEAL:



CHICK-FIL-A
 Washington RD

3066 Washington RD
 Augusta, GA 30907

FSR#00825

BUILDING TYPE / SIZE: P13 SE LRG ALL
 RELEASE: 21.05

REVISION SCHEDULE

NO.	DATE	DESCRIPTION
1	09.09.21	OPERATOR COMMENTS
4	12.02.21	ARCH/CIVIL COORDINATION

CONSULTANT PROJECT # 2020.0739

PRINTED FOR FOR CONSTRUCTION
 DATE 06/24/21
 DRAWN BY JPM

Information contained on this drawing and in all digital files produced for above named project may not be reproduced in any manner without express written or verbal consent from authorized project representatives.

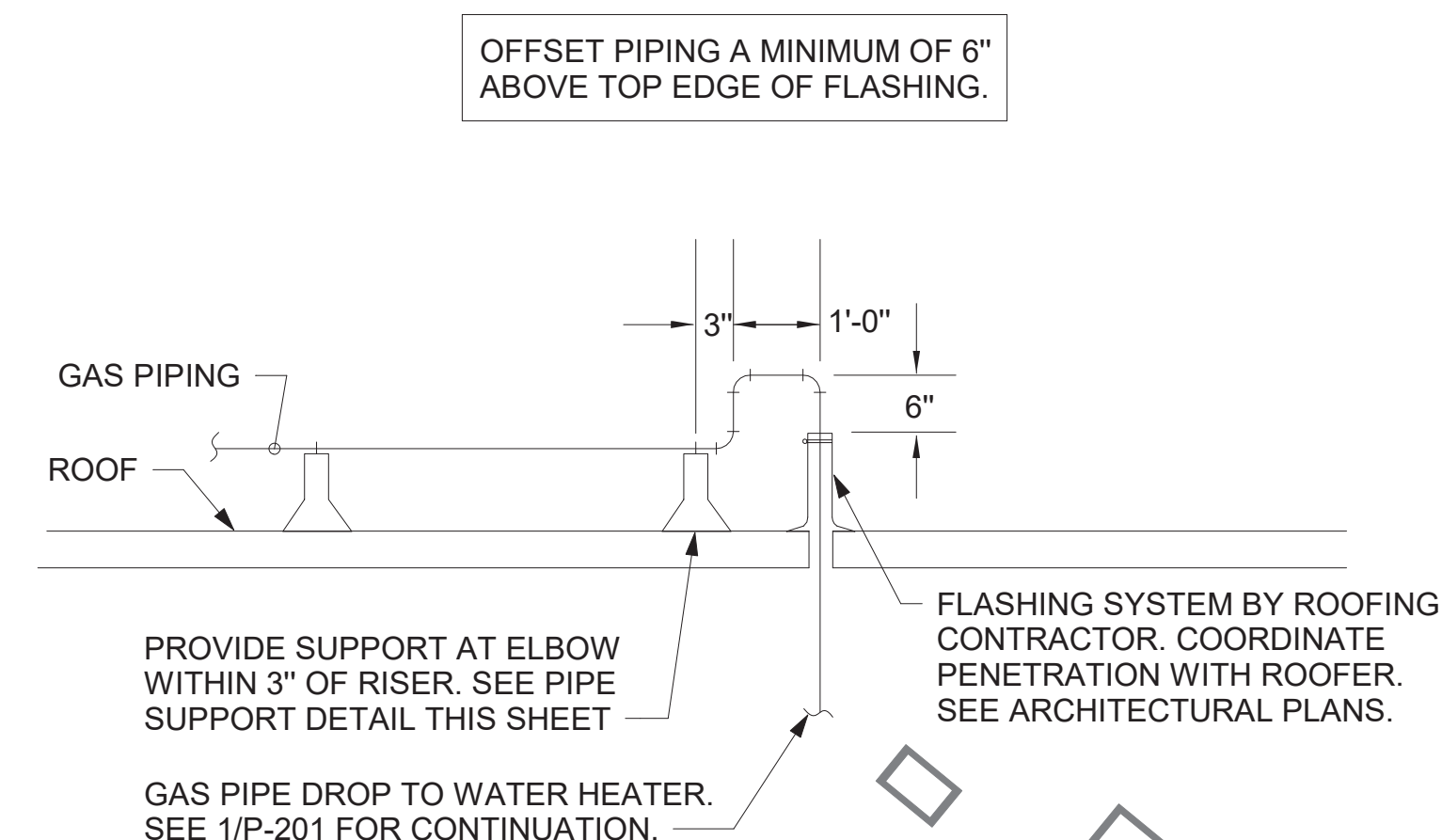
SHEET SLAB ROUGH-IN PLAN

SHEET NUMBER

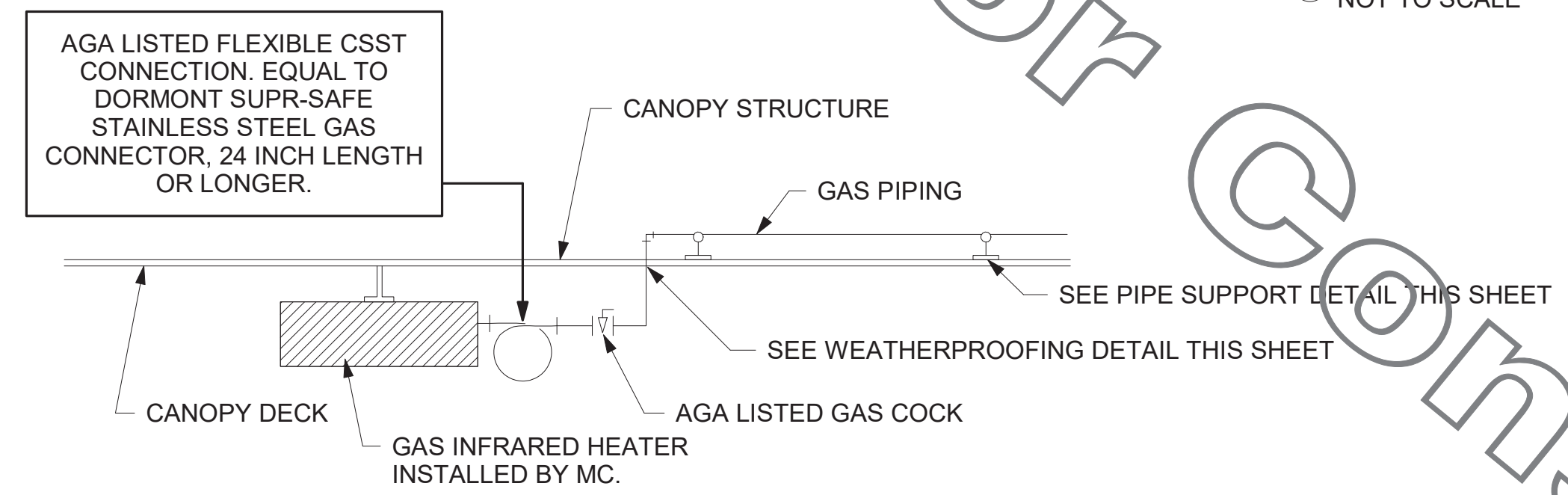
P-221

JONLOP - 02/17/2022 3:08:18 PM

1/18/2022
 BIM 360/GA_00825_Washington Road FSU_2021.6_FSR00825_Washington Road FSU_PLE.rvt
 2/17/2022 1:38:03 PM
 40-SE LRG-00825-P-250-ROOF PLAN AND DETAILS

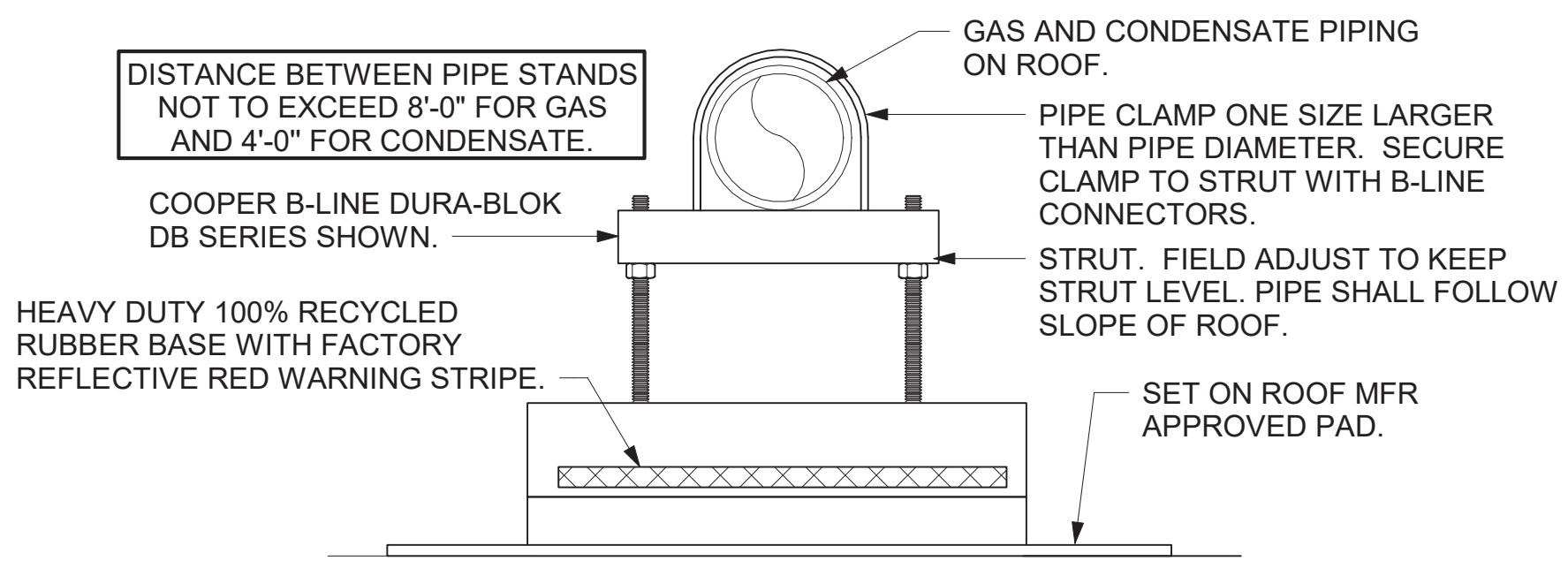


6 GAS PIPE DROP TO WATER HEATER NOT TO SCALE



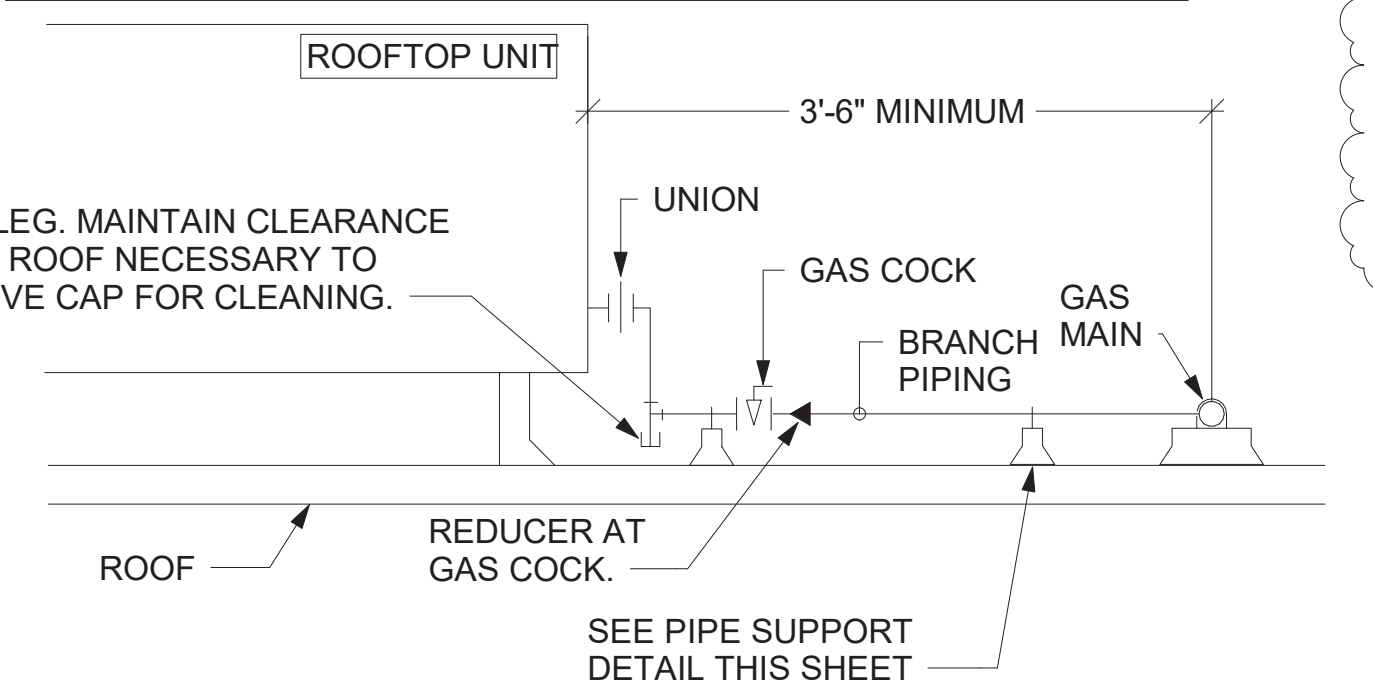
7 GAS CONNECTION AT APPLIANCE NOT TO SCALE

- NOTES:**
- NON ADJUSTABLE MODEL DB610 PIPE STAND TO BE USED FOR NON-ELEVATED PIPING INSTALLED FLAT ON ROOF DECK.
 - PROVIDE MODEL DBE 10-8 OR DBE 10-12 OR DBE 10-16 AS NEEDED FOR ELEVATING CONDENSATE PIPING TO MAINTAIN PROPER SLOPE AND FOR GAS PIPING CROSSING OVER CONDENSATE PIPING.
 - ENSURE GAS AND CONDENSATE PIPING DO NOT OBSTRUCT ROOFTOP EQUIPMENT ACCESS OPENINGS. RE-PIPING OF SYSTEMS DUE TO CONFLICTS WITH EQUIPMENT ACCESS OPENINGS SHALL BE DONE AT PLUMBING CONTRACTOR'S EXPENSE.



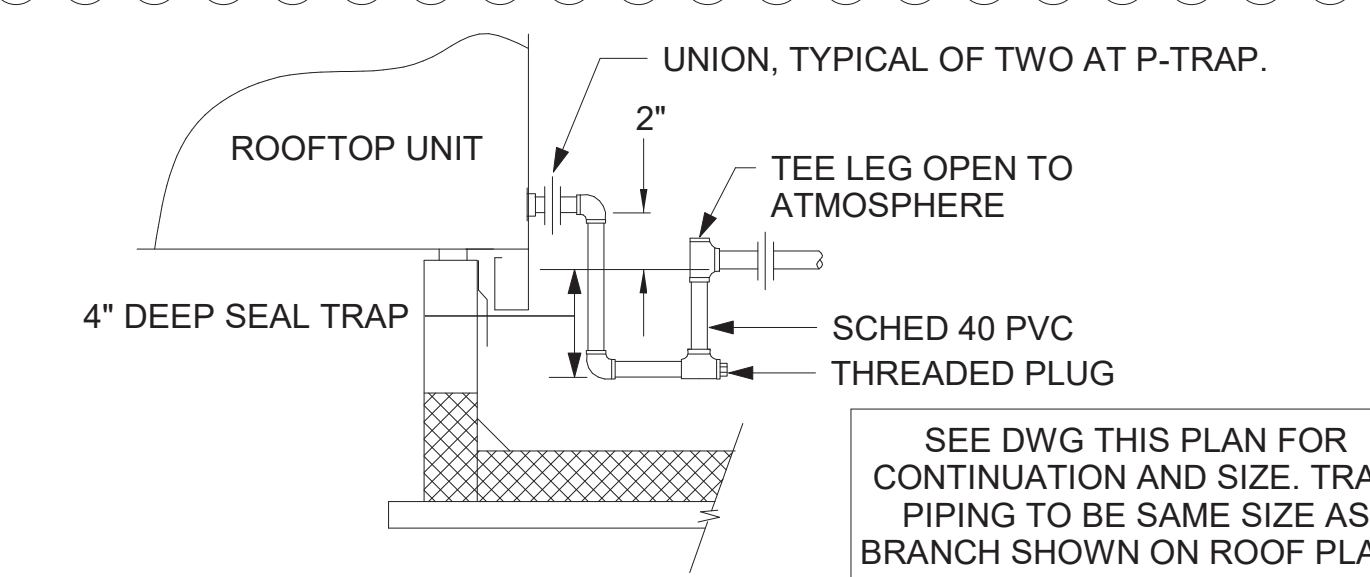
4 PIPING SUPPORT ON ROOF NOT TO SCALE

- NOTES:**
- INSTALL GAS PIPING SUCH THAT HVAC EQUIPMENT ACCESS PANELS AND/OR DOORS ARE IN NO WAY OBSTRUCTED BY PIPING, VALVES, OR SUPPORTS.
 - TO AVOID CONFLICT WITH AC UNIT ACCESS DOORS, INSTALL GAS PIPING NO CLOSER THAN 3'-6" FROM AC UNIT. (EXCEPT FOR BRANCH LINE CONNECTED TO AC UNIT.)
 - ROUTE BRANCH TAKE-OFF DIRECTLY FROM MAIN TO ROOFTOP UNIT AS SHOWN ON PLAN AND DETAILS WITHOUT LATERAL OFFSETS WHICH MAY OBSTRUCT UNIT ACCESS DOORS.



3 GAS PIPING AT RTU 1/4" = 1'-0"

5. GAS CONNECTION SCHEDULE	
EQUIPMENT	GAS LOAD
AC#1	480,000 BTUS
AC#2	360,000 BTUS
AC#3	480,000 BTUS
GIH (7 @ 50,000 BTU EA.)	350,000 BTUS
WATER HEATER	125,000 BTUS
TOTAL CONNECTED LOAD	1,795,000 BTUS
REMARKS:	1) EQUIVALENT TO 1,795.0 CFH 2) 7" W.C. DELIVERY PRESSURE 3) DEVELOPED LENGTH: 175 FT. (METER TO AC#3.)



2 CONDENSATE DRAIN PIPING 1/4" = 1'-0"

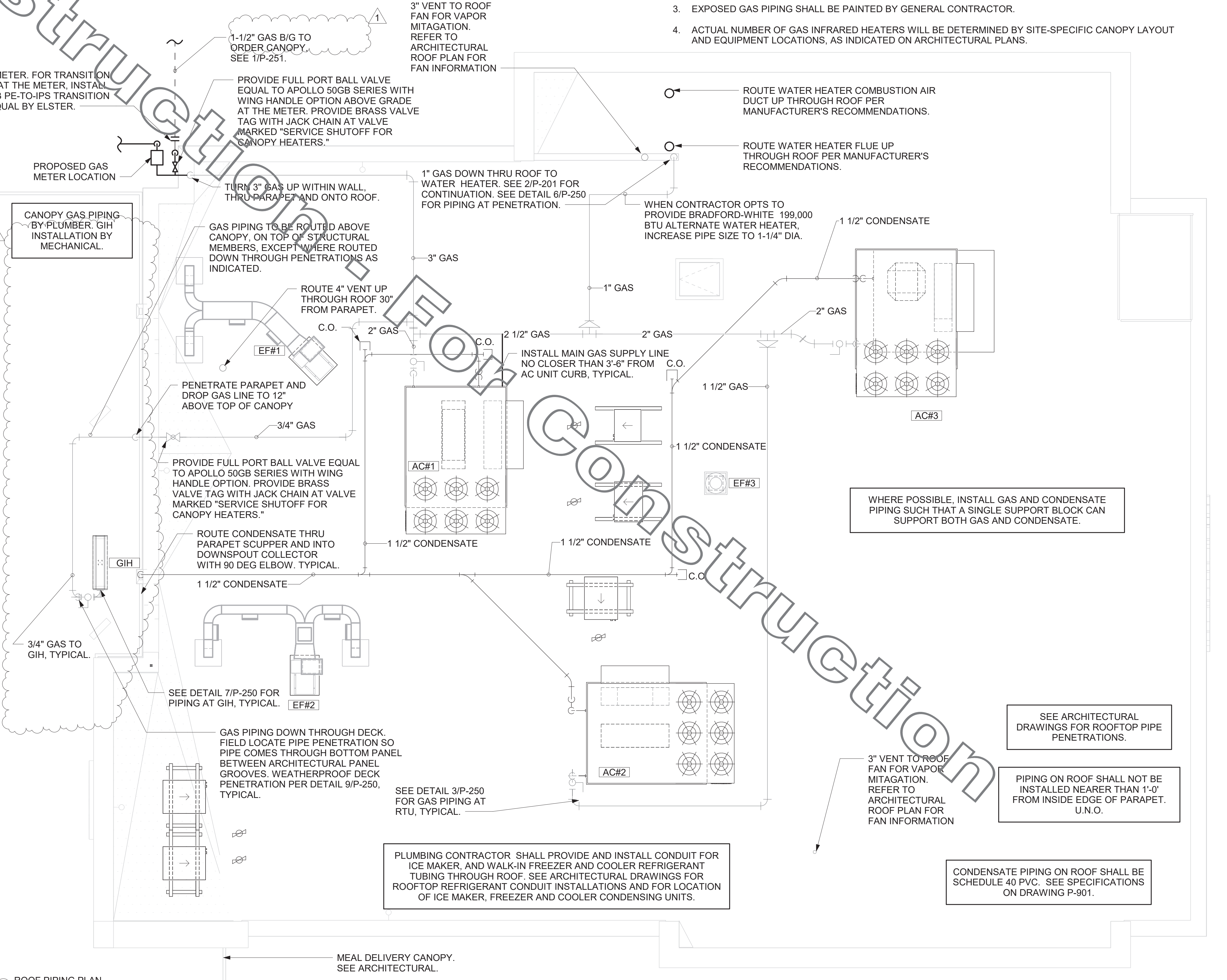
LEGEND

GIH#1	GAS INFRARED HEATER #1 (TYP.)	B/G	BELOW GRADE
---	NEW GAS PIPING ABOVE GRADE	EC	ELECTRICAL CONTRACTOR
---	NEW GAS PIPING BELOW GRADE	MC	MECHANICAL CONTRACTOR

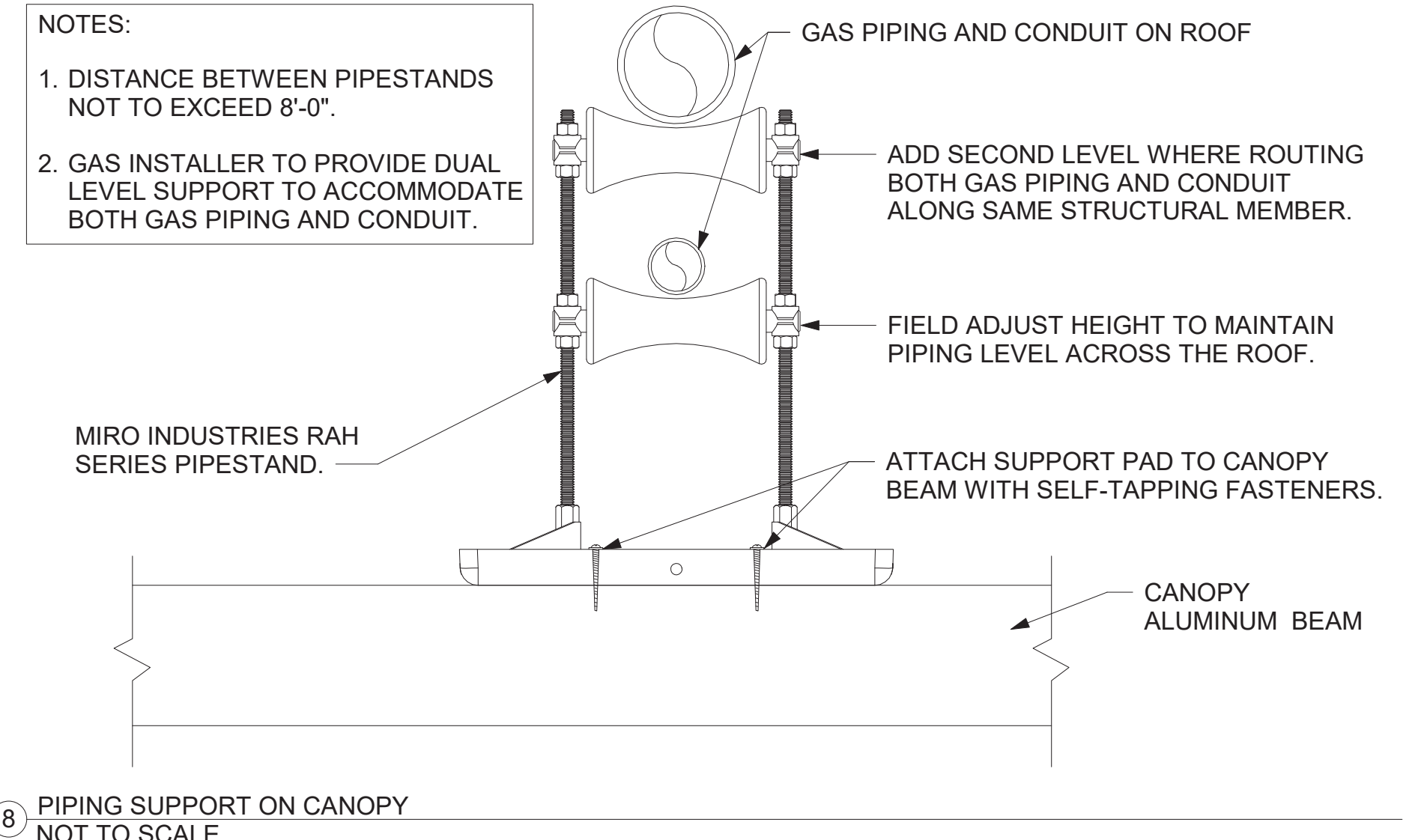
CANOPY GENERAL NOTES

- COORDINATE NEW WORK WITH EXISTING CONDUIT, STRUCTURE, AND PIPING. FIELD VERIFY EXISTING CONDITIONS PRIOR TO START OF WORK.
- COORDINATE LOCATION AND RESPONSIBILITIES FOR UNDERGROUND PIPING AND ASSOCIATED TRENCHING WITH GENERAL CONTRACTOR PRIOR TO START OF WORK.
- EXPOSED GAS PIPING SHALL BE PAINTED BY GENERAL CONTRACTOR.
- ACTUAL NUMBER OF GAS INFRARED HEATERS WILL BE DETERMINED BY SITE-SPECIFIC CANOPY LAYOUT AND EQUIPMENT LOCATIONS, AS INDICATED ON ARCHITECTURAL PLANS.

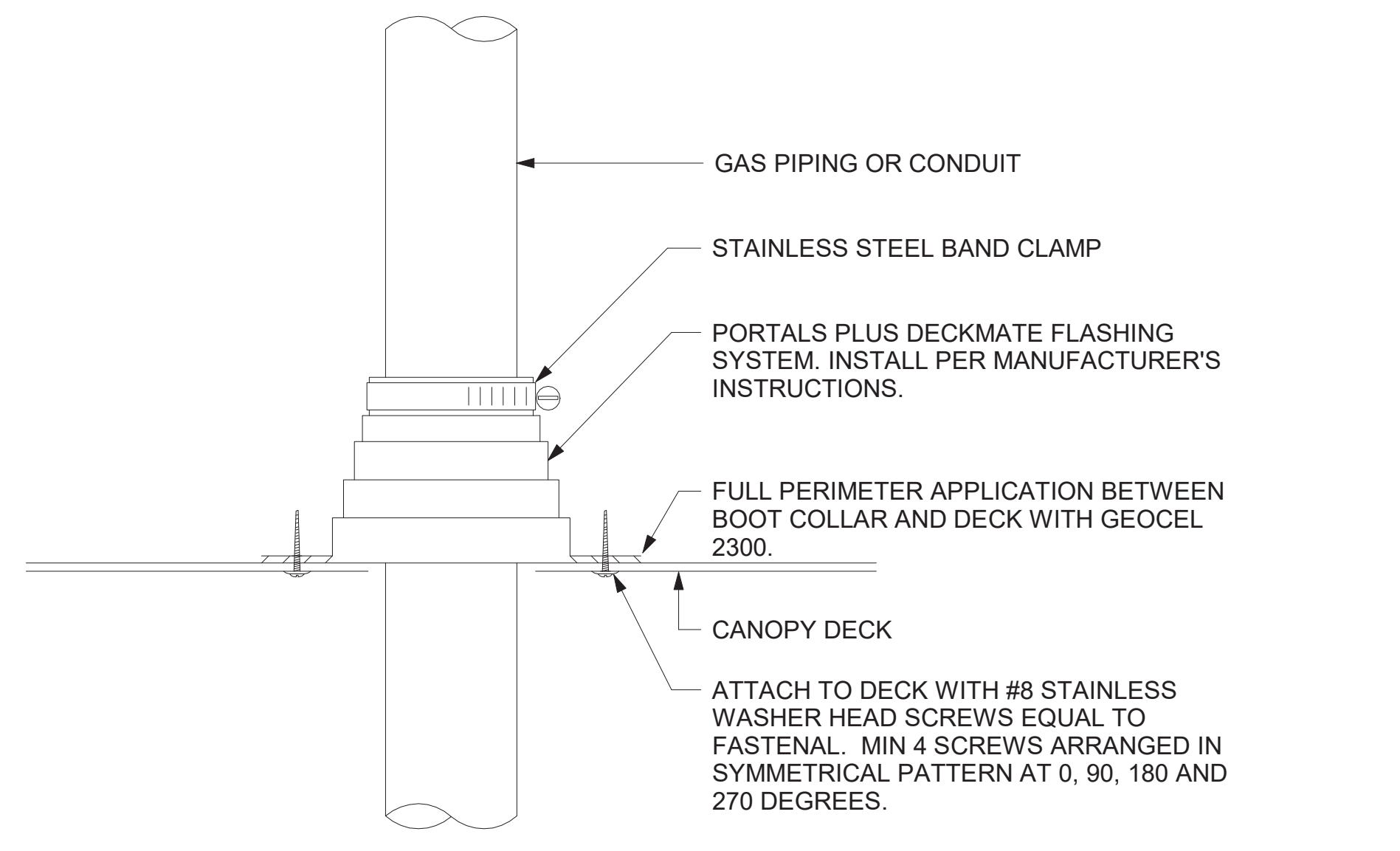
ROUTE POLYETHYLENE GAS B/G FROM THE METER. FOR TRANSITION FROM POLYETHYLENE PIPING B/G TO STEEL AT THE METER, INSTALL ANODELESS RISER WITH INTEGRAL CONSTAB PE-TO-IPS TRANSITION FITTING BY CONTINENTAL INDUSTRIES OR EQUAL BY ELSTER.



1 ROOF PIPING PLAN 1/4" = 1'-0"



8 PIPING SUPPORT ON CANOPY NOT TO SCALE



9 WEATHERPROOFING AT CANOPY PENETRATION NOT TO SCALE



Chick-fil-A
 5200 Buffington Road
 Atlanta, Georgia
 30349-2998

INTERPLAN
 INTERPLAN LLC
 AR0011595
 CA 8660
 ARCHITECTURE
 ENGINEERING
 PERMITTING

220 E. CENTRAL PKWY, STE 4000
 ALTAMONTE SPRINGS, FL 32701
 407.645.5008



CHICK-FIL-A
 Washington RD
 3066 Washington RD
 Augusta, GA 30907

FSR#00825
 BUILDING TYPE / SIZE: P13 SE LRG ALL
 RELEASE: 21.05

REVISION SCHEDULE

NO.	DATE	DESCRIPTION
1	09.09.21	OPERATOR COMMENTS

FOR CONSTRUCTION

CONSULTANT PROJECT # 2020.0739
 PRINTED FOR FOR CONSTRUCTION
 DATE 06/24/21
 DRAWN BY JPM

Information contained on this drawing and in all digital files produced for above named project may not be reproduced in any manner without express written or verbal consent from authorized project representatives.

SHEET ROOF PLAN AND DETAILS

SHEET NUMBER

P-250
 JONLOP - 02/17/2022 3:08:07 PM

BIM:360/IGA_00825_Washington Road FSU_2021.6_FSR000825_Washington Road FSU_PLE.rvt
 2/17/2022 1:37:53 PM
 40-SE LRG-00825-P-251-CANOPY PLAN AND DETAILS

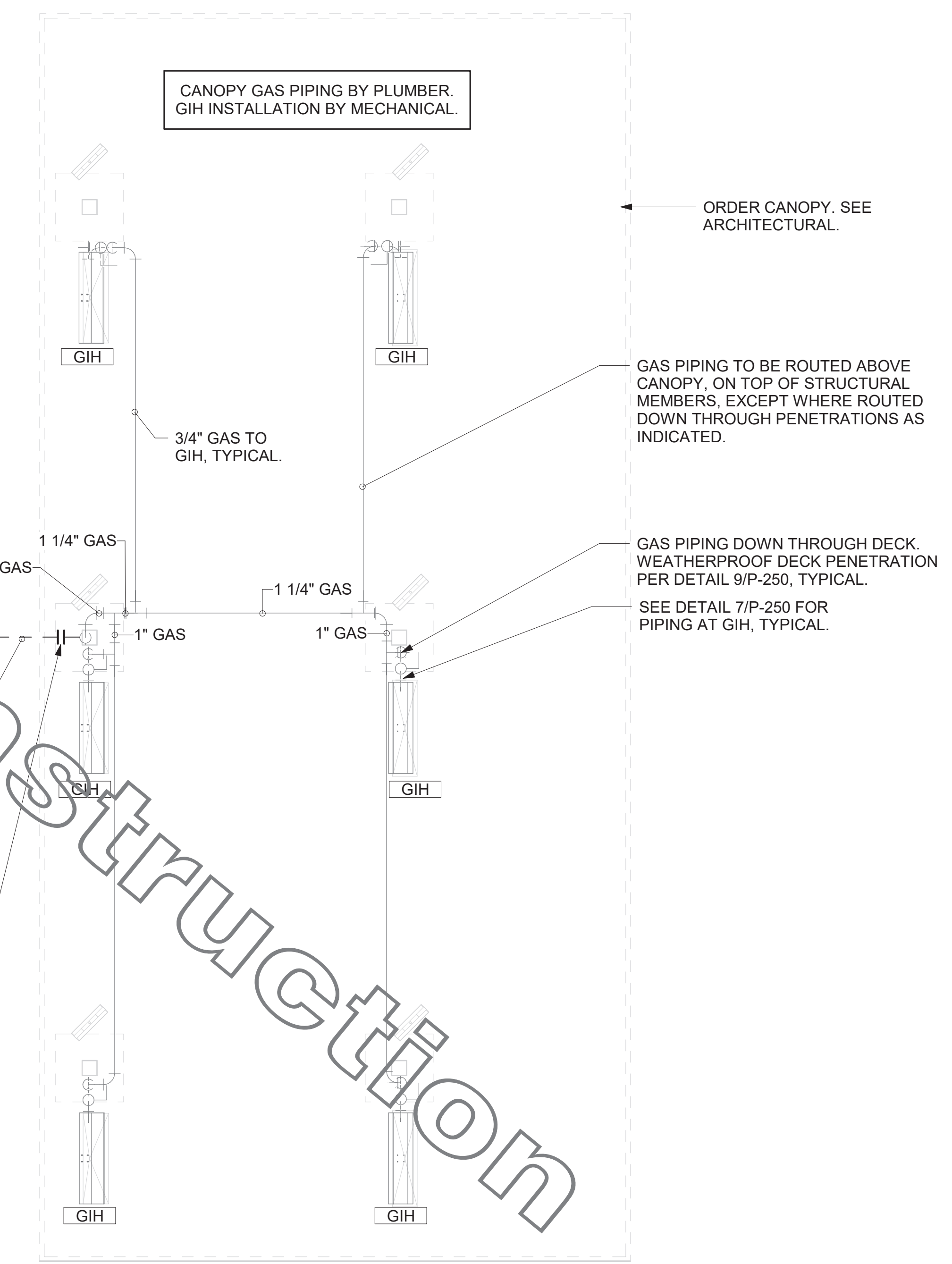
For Construction - For Construction

LEGEND			
GIH#1	GAS INFRARED HEATER #1 (TYP.)	B/G	BELOW GRADE
---	NEW GAS PIPING ABOVE GRADE	EC	ELECTRICAL CONTRACTOR
---	NEW GAS PIPING BELOW GRADE	MC	MECHANICAL CONTRACTOR

CANOPY GENERAL NOTES

- COORDINATE NEW WORK WITH EXISTING CONDUIT, STRUCTURE, AND PIPING. FIELD VERIFY EXISTING CONDITIONS PRIOR TO START OF WORK.
- COORDINATE LOCATION AND RESPONSIBILITIES FOR UNDERGROUND PIPING AND ASSOCIATED TRENCHING WITH GENERAL CONTRACTOR PRIOR TO START OF WORK.
- EXPOSED GAS PIPING SHALL BE PAINTED BY GENERAL CONTRACTOR.
- ACTUAL NUMBER OF GAS INFRARED HEATERS WILL BE DETERMINED BY SITE-SPECIFIC CANOPY LAYOUT AND EQUIPMENT LOCATIONS, AS INDICATED ON ARCHITECTURAL PLANS.

ATTACH GAS TRANSITION FITTING, ELSTER 702205 OR EQUAL BY GASTITE, TO GAS PIPE STUB-OUT BELOW GRADE. GAS PIPING INSIDE COLUMN AND STUB-OUTS BY CANOPY MFR. JOIN UNDERGROUND POLYETHYLENE GAS PIPING TO TRANSITION FITTING WITH ELSTER PERMASERT COUPLING. CANOPY MFR'S EXPOSED STEEL PIPING BELOW GRADE SHALL BE PROTECTED WITH TWO COATS ASPHALTUM BASE PAINT AND POLY SLEEVE.



1 ORDER CANOPY PIPING PLAN
 1/4" = 1'-0"



Chick-fil-A
 5200 Buffington Road
 Atlanta, Georgia
 30349-2998

INTERPLAN
 INTERPLAN LLC
 AR0011595
 CA 8640
 ARCHITECTURE
 ENGINEERING
 PERMITTING
 220 E. CENTRAL PKWY, STE 4000
 ALTAMONTE SPRINGS, FL 32701
 407.645.5008



CHICK-FIL-A
 Washington RD
 3066 Washington RD
 Augusta, GA 30907

FSR#00825
 BUILDING TYPE / SIZE: P13 SE LRG ALL
 RELEASE: 21.05

REVISION SCHEDULE		
NO.	DATE	DESCRIPTION

CONSULTANT PROJECT #	2020.0739
PRINTED FOR	FOR CONSTRUCTION
DATE	06/24/21
DRAWN BY	JPM

Information contained on this drawing and in all digital files produced for above named project may not be reproduced in any manner without express written or verbal consent from authorized project representatives.

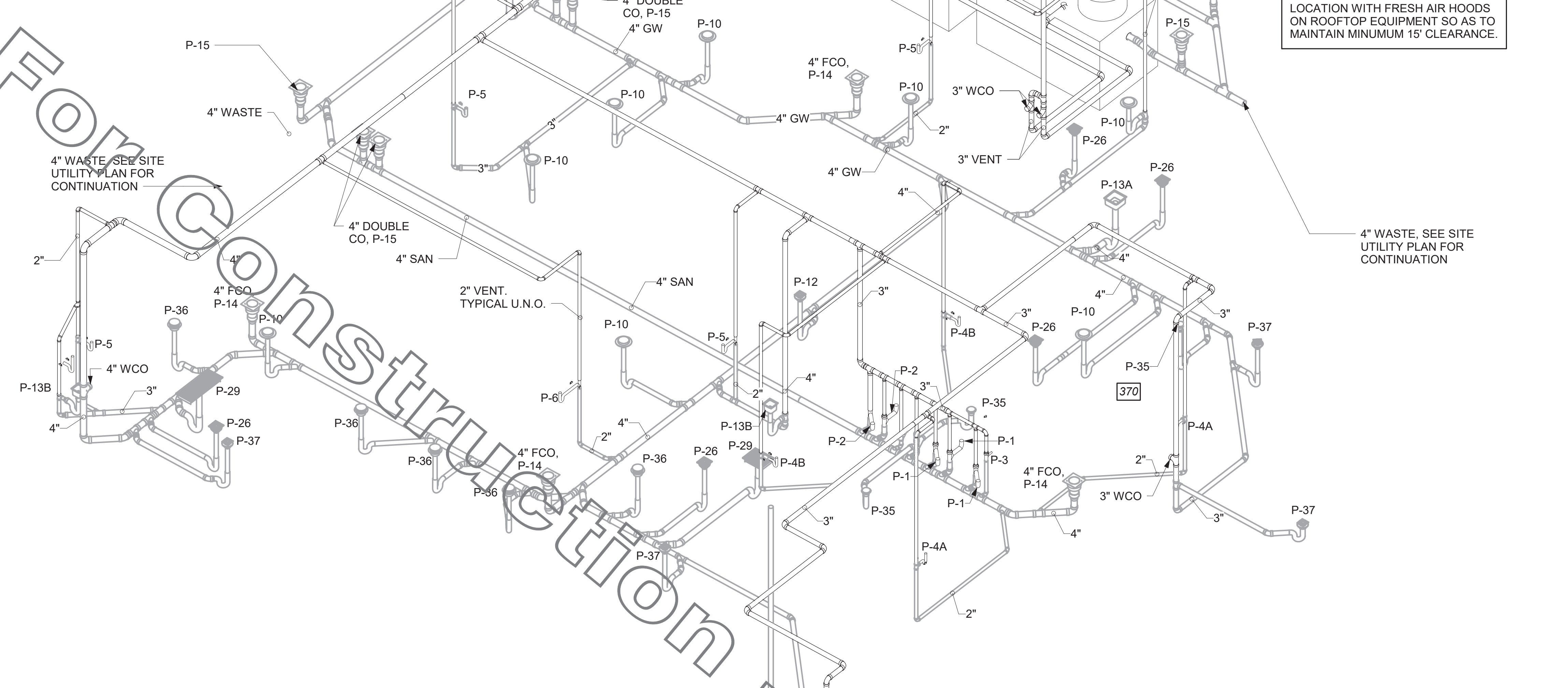
SHEET: CANOPY PLAN AND DETAILS

SHEET NUMBER: **P-251**
 JONLOP - 02/17/2022 3:08:01 PM

FOR CONSTRUCTION

COPYRIGHT © 2020 INTERPLAN LLC. RESERVES COPYRIGHT & OTHER RIGHTS RESTRICTING THESE DOCUMENTS TO THE ORIGINAL SITE OR PURPOSE FOR WHICH THEY WERE PREPARED. REPRODUCTIONS, CHANGES OR ASSIGNMENTS ARE PROHIBITED.

E
D
C
B
A



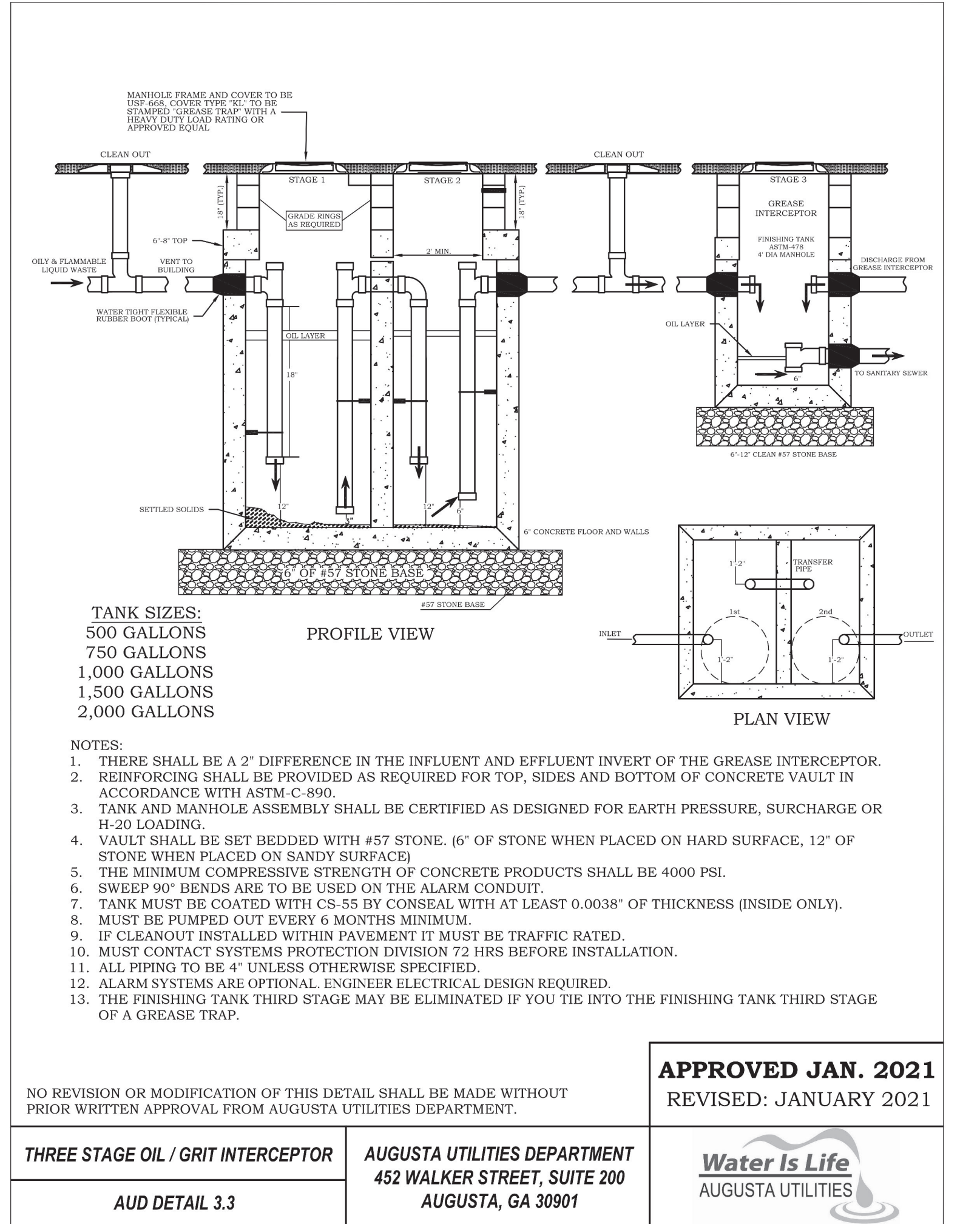
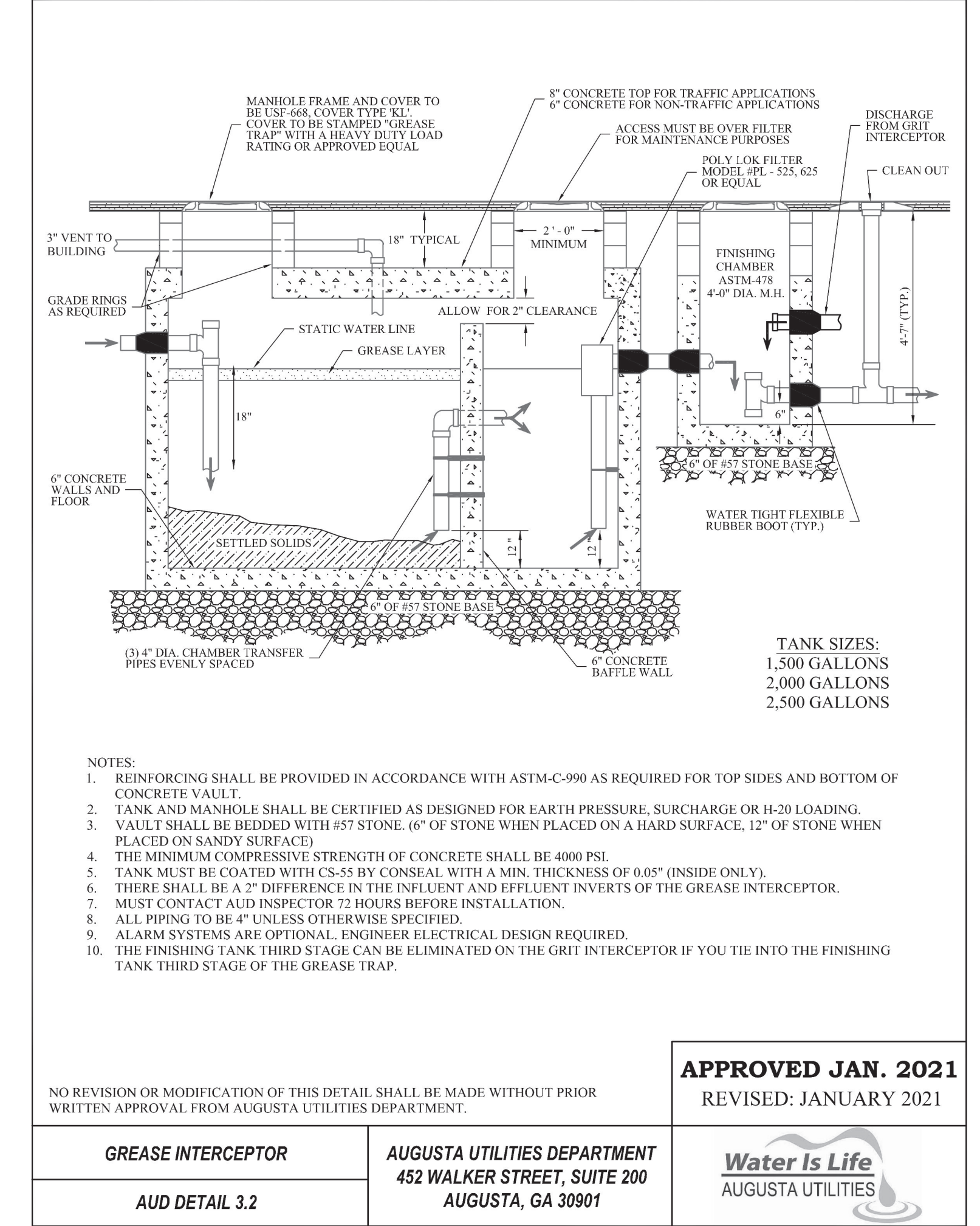
1 WASTE RISER DIAGRAM

XXX KITCHEN EQUIPMENT NUMBER. SEE KITCHEN EQUIPMENT SCHEDULE ON P-303 FOR EQUIPMENT DESCRIPTIONS.

ALL BELOW SLAB SANITARY AND GREASE WASTE PIPING SHALL BE 3" DIAMETER U.N.O.

ALL VENT PIPING SHALL BE 2" DIAMETER U.N.O.

COORDINATE VENT TERMINAL LOCATION WITH FRESH AIR HOODS ON ROOFTOP EQUIPMENT SO AS TO MAINTAIN MINIMUM 15' CLEARANCE.



2 GREASE INTERCEPTOR DETAIL
1/4" = 1'-0"



Chick-fil-A
5200 Buffington Road
Atlanta, Georgia
30349-2998

INTERPLAN
INTERPLAN LLC
AR0011595
CA 8660

ARCHITECTURE
ENGINEERING
PERMITTING

220 E. CENTRAL PKWY, STE 4000
ALTIMONTE SPRINGS, FL 32701
407.645.5008



CHICK-FIL-A
Washington RD
3066 Washington RD
Augusta, GA 30907

FSR#00825
BUILDING TYPE / SIZE: P13 SE LRG ALL
RELEASE: 21.05

REVISION SCHEDULE		
NO.	DATE	DESCRIPTION
1	09.09.21	OPERATOR COMMENTS

CONSULTANT PROJECT #	2020.0739
PRINTED FOR	FOR CONSTRUCTION
DATE	06/24/21
DRAWN BY	JPM

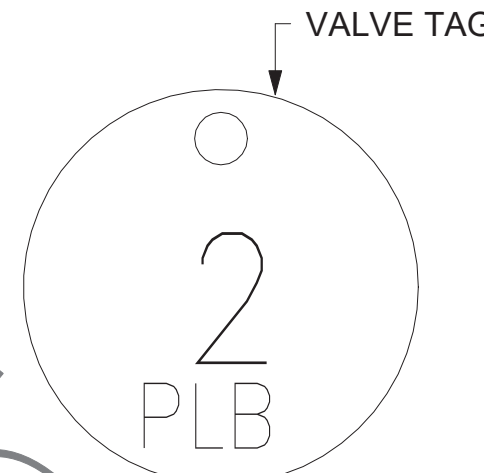
Information contained on this drawing and in all digital files produced for above named project may not be reproduced in any manner without express written or verbal consent from authorized project representatives.

SHEET DWV RISER DIAGRAM

SHEET NUMBER
P-301
JONLOP - 02/17/2022 3:07:55 PM

VALVE TAG LEGEND	
VALVE	VALVE POSITION
① MAIN WATER SHUT-OFF	NORMALLY OPEN
② MAIN DRAIN	NORMALLY CLOSED
③ ACCESSORY SHUT-OFF	NORMALLY OPEN
④ WATER FILTER INLET	NORMALLY OPEN
⑤ RECIRC PUMP ISOLATION VALVE	NORMALLY OPEN
⑥ WATER HEATER INLET	NORMALLY OPEN
⑦ RESTROOM & KITCHEN COLD WATER	NORMALLY OPEN
⑧ POST HYDRANT COLD WATER	NORMALLY OPEN
⑨ GAS TO WATER HEATER	NORMALLY OPEN
⑩ WATER HEATER OUTLET	NORMALLY OPEN

LAMINATE VALVE TAG LEGEND AND MOUNT PERMANENTLY WHERE SHOWN ON WATER HEATER DETAIL IN AN ALUMINUM FRAME EQUAL TO SETON #68624.



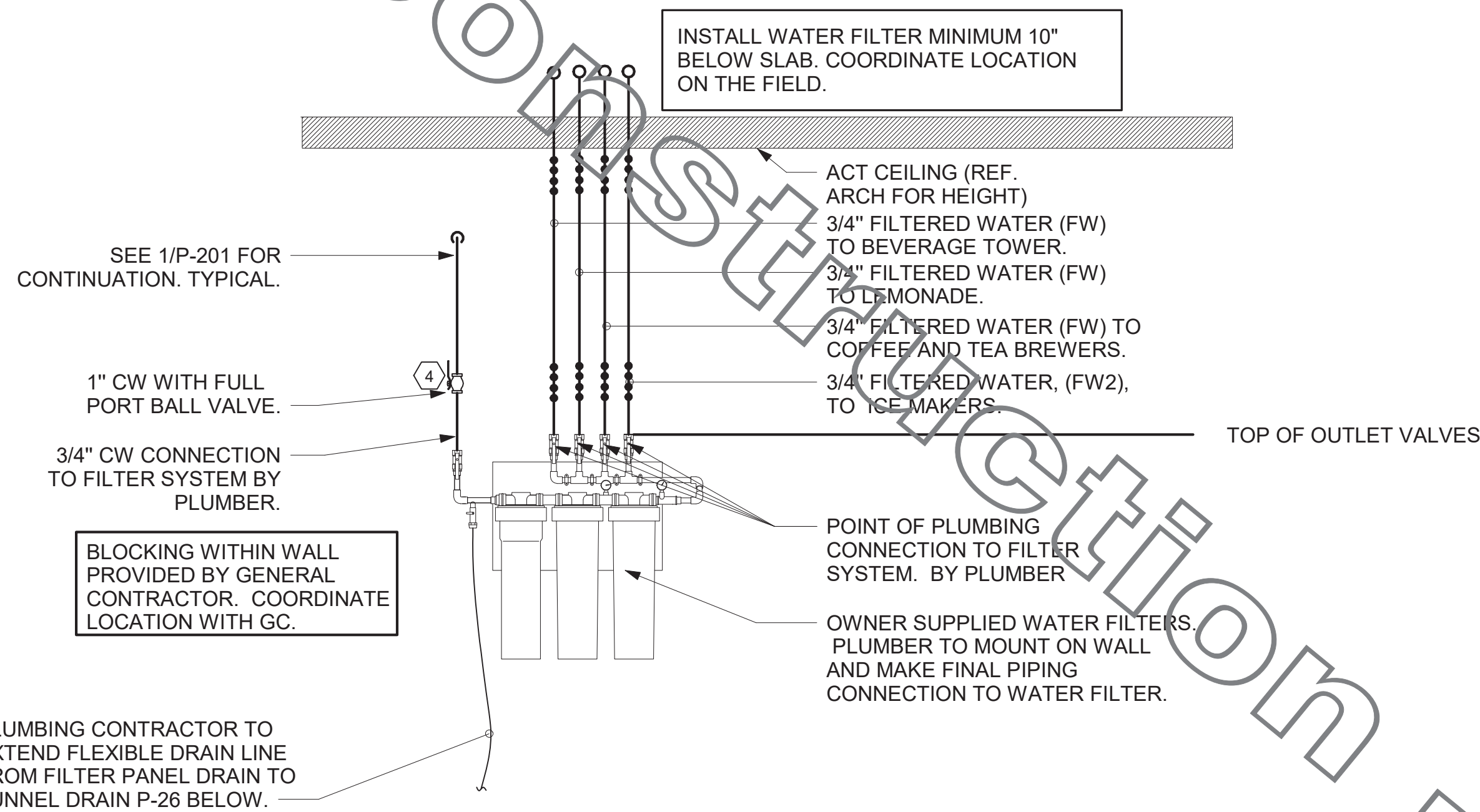
② VALVE TAG SYMBOL AS SHOWN ON DETAIL 6/P-303. PROVIDE 1/2" ROUND BRASS VALVE TAG WITH 1/2" HIGH BLACK FILLED LETTERING. EACH TAG SHALL INDICATE VALVE NUMBER AND WILL ALSO HAVE "PLBG" STAMPED ON THE TAG IN 1/4" HIGH BLACK FILLED LETTERING EQUAL TO SETON #M4506. HANG WITH BRASS JACK CHAIN ON VALVE HANDLE.

③ VALVE TAGS AND LEGEND NOT TO SCALE

2. KITCHEN EQUIPMENT SCHEDULE							
TAG	DESCRIPTION	FW	FW2	CW	HW	WASTE	ROUGH-IN
305	TEA BREWER	1/2"	X	X	X	X	P-24, SEE K-611 & 6/P-211
308	COFFEE MAKER	1/2"	X	X	X	X	P-24, SEE K-611 & 6/P-211
318A	CARBONATOR BFP PANEL	3/4"	X	X	X	X	P-28, SEE K-611
350	WATER FILTER PANEL	(3) 3/4"	3/4"	3/4"	X	X	SEE DET 5/P-303
360E	EMERGENCY EYEWASH STATION	X	X	1/2"	1/2"	X	1/2" TEPID WATER FROM P-42, SEE K-611 & 1/P-201
363	DISHWASHER	X	X	3/4"	X	INDIRECT TO P-13A	P-41, SEE K-611 & 1/P-201
365	POT SINK	X	X	(2) 1/2"	(2) 1/2"	INDIRECT	TWO #365F FAUCETS, P-9 SEE K-611
367	VEGETABLE PREP SINK	X	X	1/2"	1/2"	INDIRECT	#367F FAUCET, P-8 SEE K-611
367FW	FILTERED WATER FAUCET	(2) 1/2"	X	X	X	X	P-30 48" AFF.
368FW	FILTERED WATER FAUCET	(2) 1/2"	X	X	X	X	P-30 48" AFF.
370	MOP SINK	X	X	1/2"	1/2"	3" P-35	P-7 SEE K-611
380	ICE MAKER (BIN MOUNTED)	X	(2) 1/2"	X	X	INDIRECT	P-23 SEE K-611 & 3/P-201
381	ICE BIN (1 HEAD)	X	1/2"	X	X	INDIRECT	P-23 SEE K-611 & 3/P-201
384	ICE BIN (2 HEAD)	X	1/2"	X	X	INDIRECT	P-23 SEE K-611 & 3/P-201
592	RETHEMALIZER	X	X	1/2"	X	INDIRECT	P-43 SEE DET 3/P-302

1. FIXTURE CONNECTION SCHEDULE						
MARK	FIXTURE	FW	FW2	CW	HW	WASTE
P-1	WATER CLOSET - FLOOR MOUNT (1.28 GPF)	X	X	1"	X	3"
P-2	WATER CLOSET - ADA FLOOR MOUNT (1.28 GPF)	X	X	1"	X	3"
P-3	URINAL - ADA WALL HUNG (0.125 GPF)	X	X	3/4"	X	2"
P-4A	LAVATORY - ADA WALL MOUNT (0.50 GPM)	X	X	1/2"	1/2"	1-1/4"
P-4B	LAVATORY - ADA WALL-MOUNTED (0.50 GPM)	X	X	1/2"	1/2"	1-1/4"
P-5	KITCHEN HAND SINK - WALL HUNG (1.0 GPM)	X	X	1/2"	1/2"	1-1/2"
P-5A	KITCHEN HAND SINK - WALL HUNG (1.0 GPM)	X	X	1/2"	1/2"	1-1/2"
P-6	SINGLE COMP SINK - COUNTERTOP (1.0 GPM)	X	X	1/2"	1/2"	1-1/2"
P-7	MOP SINK	X	X	1/2"	1/2"	3"
P-8	VEGETABLE PREP SINK (0.65 GPM SPRAYER)	X	X	1/2"	1/2"	(2) 1-1/2"
P-9	POT SINK (0.65 GPM SPRAYER)	X	X	(2) 1/2"	(2) 1/2"	(4) 1-1/2"
P-10	FLOOR DRAIN (ROUND TOP)	X	X	X	X	3"
P-11	WALL HYDRANT (NON FREEZE)	X	X	3/4"	X	X
P-12	FUNNEL DRAIN (3")	X	X	X	X	3"
P-13A	FLOOR SINK (4") 12" TOP	X	X	X	X	4"
P-13B	FLOOR SINK (3") 8" TOP	X	X	X	X	3"
P-14	CLEANOUT INSIDE BUILDING	X	X	X	X	SEE PLAN
P-15	CLEANOUT OUTSIDE BUILDING	X	X	X	X	SEE PLAN
P-16	3-WAY VALVE/VACUUM BREAKER	X	X	3/4"	3/4"	X
P-17	VACUUM RELIEF VALVE	X	X	3/4"	X	X
P-18	EXPANSION TANK	X	X	3/4"	X	X
P-19	WATER HEATER	X	X	1"	1"	X
P-20	THERMOMETER	X	X	X	1/2"	X
P-21	BACKFLOW PREVENTER	X	X	1-1/2"	X	X
P-22	MOP SINK CHECK VALVES	X	X	1/2"	1/2"	X
P-23	UTILITY CONNECTION (ICE MAKER)	X	1/2"	X	X	X
P-24	UTILITY CONNECTION (COFFEE & TEA)	1/2"	X	X	X	X
P-25	SHOCK ABSORBER	1/2"	1/2" & 3/4"	1/2"	1/2"	X
P-26	FUNNEL DRAIN	X	X	X	X	3"
P-26A	TRAP SEAL PROTECTOR	X	X	X	X	3"
P-27	WATER PRESSURE GAUGE	X	X	1/4"	X	X
P-28	BALL VALVE-CARBONATOR STOP/BFP PANEL	3/4"	X	X	X	X
P-29	ICE MACHINE TRENCH DRAIN	X	X	X	X	4"
P-30	FILTERED WATER FAUCET	(2) 1/2"	X	X	X	X
P-31	DUMPSTER POST HYDRANT	X	X	3/4"	X	X
P-32	DUMPSTER DRAIN	X	X	X	X	3"
P-33	TRAP PRIMER (MECHANICAL TYPE)	X	X	1/2"	X	X
P-34	DISPENSER BACKFLOW PREVENTER	1/2"	X	X	X	X
P-35	FLOOR DRAIN	X	X	X	X	3"
P-36	BEVERAGE TOWER INDIRECT RECEIVER	X	X	X	X	3"
P-37	FLOOR DRAIN (SQUARE TOP)	X	X	X	X	3"
P-38	HOT WATER CIRCULATING PUMP	X	X	X	1/2"	X
P-39	PRESSURE REDUCING VALVE	X	X	2"	X	X
P-40	WYE STRAINER	X	X	2"	X	X
P-41C	DISHWASHER SUPPLY VALVES - CHAMPION	X	X	3/4"	X	X
P-42	EMERGENCY EYEWASH MIXING VALVE	X	X	1/2"	1/2"	X
P-43	RETHEMALIZER SUPPLY VALVE	X	X	1/2"	X	X

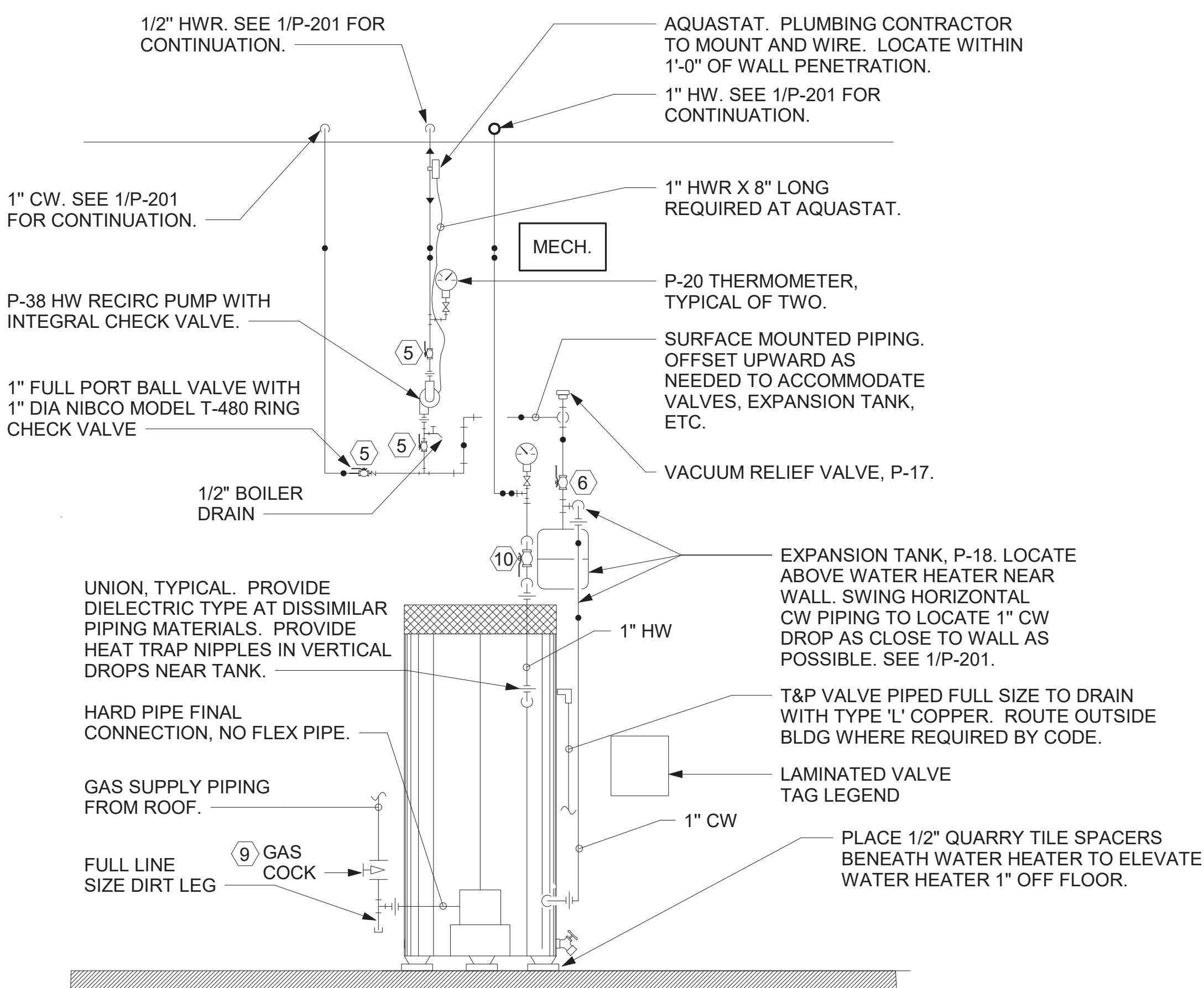
NOTES: ① REFER TO FOOD SERVICE DRAWINGS FOR KITCHEN EQUIPMENT INSTALLATION AND HOOK-UP RESPONSIBILITIES.
② DO NOT MANIFOLD POT OR PREP SINK DRAINS TOGETHER UNLESS ALLOWED BY LOCAL AUTHORITY.



⑤ PIPING AT WATER FILTER NOT TO SCALE

NOTES TO WATER HEATER INSTALLER:

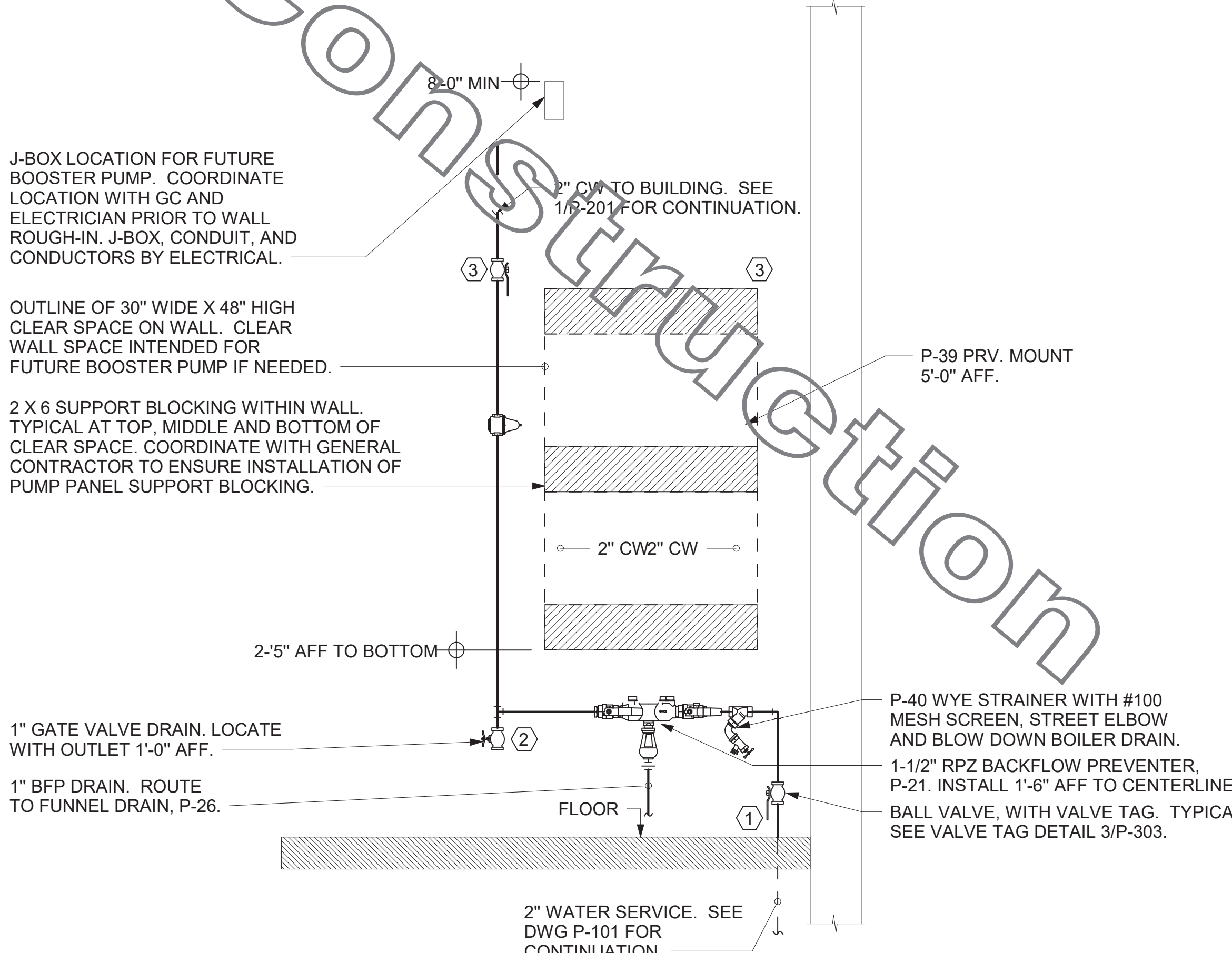
- POSITION VALVES AND TRIM IN MECH ROOM SUCH THAT VALVES AND TRIM ARE UNOBSTRUCTED TO VIEW AND SO THAT ACCESS FOR OPERATION OR REPAIR IS POSSIBLE WITHOUT USE OF STEP LADDERS OR NEED TO DISASSEMBLE ANY COMPONENTS.
- VENT HEATER UP THRU MECH ROOM ROOF AND PROVIDE FRESH AIR PIPING PER MANUFACTURER'S RECOMMENDATIONS.



⑥ PIPING AT WATER HEATER NOT TO SCALE

NOTE OF SPECIAL IMPORTANCE:

- LOCATIONS OF 2" CW RISER AND CLEAR SPACE ARE DIMENSIONED BECAUSE THEY ARE CRITICAL FOR THE FUTURE PUMP PANEL INSTALLATION.
- GENERAL CONTRACTOR SHALL ENSURE OTHER TRADES SHALL NOT INSTALL ANY OTHER BUILDING COMPONENT WITHIN CLEAR SPACE OR WITHIN 10" OF EDGES.



④ PIPING AT WATER SERVICE ENTRANCE IN MECHANICAL ROOM NOT TO SCALE



Chick-fil-A

Chick-fil-A
5200 Buffington Road
Atlanta, Georgia
30349-2998

INTERPLAN
INTERPLAN LLC
AR0011595
CA 8660
ARCHITECTURE
ENGINEERING
PERMITTING

220 E. CENTRAL PKWY, STE 4000
ALTAMONTE SPRINGS, FL 32701
407.645.5008



CHICK-FIL-A
Washington RD
3066 Washington RD
Augusta, GA 30907

FSR#00825
BUILDING TYPE / SIZE: P13 SE LRG ALL
RELEASE: 21.05

REVISION SCHEDULE		
NO.	DATE	DESCRIPTION
1	09.09.21	OPERATOR COMMENTS

CONSULTANT PROJECT # 2020.0739
PRINTED FOR FOR CONSTRUCTION
DATE 06/24/21
DRAWN BY JPM

Information contained on this drawing and in all digital files produced for above named project may not be reproduced in any manner without express written or verbal consent from authorized project representatives.
SHEET DETAILS AND SCHEDULES

SHEET NUMBER **P-303**
JONLOP - 02/17/2022 3:07:43 PM

FOR CONSTRUCTION

COPYRIGHT © 2020 INTERPLAN, LLC. RESERVES COPYRIGHT & OTHER RIGHTS RESTRICTING THESE DOCUMENTS TO THE ORIGINAL SITE OR PURPOSE FOR WHICH THEY WERE PREPARED. REPRODUCTIONS, REPRODUCTIONS OR ASSIGNMENTS ARE PROHIBITED.

EIM 360/IGA_00825_Washington Road FSL_2021.6_FSR00825_Washington Road FSL_PLB.rvt
2/17/2022 1:37:38 PM
40-SE LRG-00825-P-303-DETAILS AND SCHEDULES

1. SECTION C15100 - PLUMBING SPECIFICATIONS

PART I - PRODUCTS (C15100)

1.01 GENERAL REQUIREMENTS

A. THE FOLLOWING SPECIFICATIONS ARE THE MINIMUM REQUIREMENT. WHERE FEDERAL, STATE OR LOCAL REQUIREMENTS DIFFER FROM THIS SPECIFICATION, THE MORE STRINGENT OF THE TWO SHALL BE FOLLOWED.

1.02 SCOPE

A. HOT AND COLD POTABLE WATER PIPING ABOVE SLAB SHALL BE TYPE 'L' HARD DRAWN COPPER OR FLOWGUARD GOLD CPVC AS MANUFACTURED BY NIBCO OR CHARLOTTE PIPE & FOUNDRY AND MEETING ASTM D-2846. FILTERED WATER PIPING SHALL BE FLOWGUARD GOLD CPVC. HOT AND COLD PIPING WITHIN WALLS BEHIND KITCHEN HOODS SHALL BE COPPER.

B. POTABLE WATER PIPING BELOW SLAB AND OUTSIDE BELOW GRADE SHALL BE TYPE "K" SOFT ANNEALED SEAMLESS. NO JOINTS SHALL BE ALLOWED BELOW SLAB. POTABLE WATER PIPING BELOW GRADE SHALL BE SLEEVED FOR ITS ENTIRE LENGTH WITH POLY SLEEVE AS MADE BY IPS WATER-TITE. ALL SLAB PENETRATIONS SHALL BE SLEEVED WITH POLY SLEEVE TO PROTECT PIPING FROM CORROSION BY CONCRETE.

C. COPPER PIPE FITTINGS SHALL BE WROUGHT COPPER SWEEP PATTERN FITTINGS SOLDERED USING 95-5 LEAD-FREE SOLDER MEETING ASTM B-42 OR BRAZED WITH SIL-FOS. SOLDER FLUXES SHALL MEET ASTM B-813 AND SHALL BE LEAD FREE. BRAZING FLUXES SHALL MEET AWS FB3-A OR FB3-C.

D. WATER PIPING DOWNSTREAM OF SOFT DRINK CARBONATORS SHALL BE PROVIDED AND INSTALLED BY LOCAL SOFT DRINK VENDOR.

E. CPVC FITTINGS FOR PIPING SHALL BE SOLVENT WELD TYPE MEETING ASTM D-2846 WITH CEMENTS MEETING ASTM F-493 AND PRIMER MEETING ASTM F-656. CURE TIME MUST COMPLY WITH MANUFACTURER'S RECOMMENDATIONS. FOR CPVC PIPING INSTALLATION WALL STUBS AT FIXTURES AND EQUIPMENT SHALL BE COPPER AND SHALL BE SERIES 630-C. CPVC-TO-COPPER STUB OUT ELBOWS BY SIOUX CHIEF.

F. NIPPLES, ELBOWS, AND OTHER ACCESSORY FITTINGS REQUIRED TO COMPLETE ANY WATER PIPING CONNECTION SHALL BE BRASS OR OF SIMILAR TYPE METAL AS THE FITTING TO WHICH IT IS CONNECTED. GALVANIZED FITTINGS ARE PROHIBITED. (EXCEPTION: GALVANIZED HEAT TRAP WATER HEATER NIPPLES IF INTERNALLY PROTECTED WITH TEFLON OR POLYMER CORROSION-RESISTANT COATING.)

G. ALL HVAC CONDENSATE PIPING SHALL BE SCHEDULE 40 PVC DWV AS MANUFACTURED BY CHARLOTTE PIPE AND MEETING ASTM D-1784, D-1785 AND D-2665.

H. U.N.O., ALL SANITARY WASTE, VENT, STORM DRAINAGE PIPING AND FITTINGS INSIDE THE BUILDING, ABOVE AND BELOW GRADE, AND FOR ROOFTOP CONDENSATE, SHALL BE SOLID WALL SCHEDULE 40 PVC DWV AS MANUFACTURED BY CHARLOTTE PIPE AND MEETING ASTM D-2665 AND D-2949. FOAM CORE AND/OR CELLULAR CORE PVC PIPING SHALL NOT BE ALLOWED. PVC PIPING OUTSIDE THE BUILDING, BELOW GRADE, SHALL BE TYPE SDR-35 MEETING ASTM D-3034, U.N.O.

I. DWV PIPE AND FITTINGS WITHIN WALLS BEHIND KITCHEN HOODS SHALL BE SERVICE WEIGHT HUBLESS CAST IRON WITH SLEEVE, SHIELD, AND DRAWBAND JOINTS MEETING ASTM A-888 AND ASTM C-564.

J. PVC-DWV FITTINGS FOR PIPING SHALL BE SOLVENT WELD TYPE INSIDE AND UNDERSLAB MEETING ASTM D-2665, D-3311 AND F-186. CEMENTS SHALL MEET ASTM D-2564 AND PRIMER MEETING ASTM F-656. CURE TIME MUST COMPLY WITH MANUFACTURER'S RECOMMENDATIONS. EXTERIOR PIPING JOINTS SHALL BE NEOPRENE PUSH-ON TYPE.

K. PROVIDE 1" THICK PIPE INSULATION FOR ALL ABOVE SLAB HOT AND TEMPERED WATER PIPING. PROVIDE 1/2" THICK INSULATION FOR ALL ABOVE SLAB COLD WATER, FILTERED WATER, CONDENSATE PIPING, AND HORIZONTAL RAIN WATER CONDUCTORS INSIDE THE BUILDING. PIPING INSULATION SHALL BE KNAUF 1000F 25/50 FIBERGLASS PIPE COVERING, WHITE KRAFT PAPER VAPOR BARRIER (.02 PERMS) BONDED TO ALUMINUM FOIL AND REINFORCED WITH GLASS FIBERS. MAXIMUM THERMAL CONDUCTIVITY OF 0.23 AT 75F. LONGITUDINAL LAP SHALL BE SELF SEALING. INSULATION FOR WALK-IN COOLER/FREEZER CONDENSATE PIPING SHALL BE ARMACELL A/P ARMAFLEX WITH MINIMUM 3/4" WALL THICKNESS.

L. PIPE INSULATION AND COVERINGS SHALL HAVE A RATING OF NOT GREATER THAN 25 FLAME SPREAD, NO HIGHER THAN 50 SMOKE DEVELOPED, AND NO MORE THAN 50 FUEL CONTRIBUTED. THE ONLY EXCEPTION SHALL BE ARMAFLEX AP, WHEN SPECIFIED, WHICH SHALL NOT EXCEED 100 SMOKE DEVELOPED.

M. A PVC 25/50 PRE-FORMED COVER SHALL BE PROVIDED AT ALL INSULATED PIPING FITTINGS EQUAL TO PROTO PVC CORP LOSMOKE, 800-875-7768.

N. ALL ABOVE GRADE NATURAL GAS PIPING SHALL BE SCHEDULE 40 BLACK STEEL MEETING ASTM A53 WITH SCREWED OR WELDED FITTINGS AND GASKET TYPE UNIONS AND FLANGES. FOR SCREWED PIPING, PIPING SHALL BE JOINED WITH BLACK 150 POUND MALLEABLE IRON SCREWED FITTINGS AS ALLOWED BY LOCAL AUTHORITY. CONTRACTOR SHALL VERIFY THE NEED FOR WELDED PIPING AS REQUIRED BY THE LOCAL GAS CODE AND/OR APPLICABLE LOCAL ORDINANCES AND AMENDMENTS.

O. ALL BELOW GRADE NATURAL GAS PIPING SHALL BE MEDIUM DENSITY POLYETHYLENE (PE) MEETING ASTM D2513 AS MANUFACTURED BY GASITIE WITH JOINING SYSTEM AS MANUFACTURED BY CON-STAB. TRANSDUCTIONS FROM ABOVE GRADE RIGID PIPING TO PE BELOW GRADE PIPING SHALL BE MADE WITH ANODE-LESS RISER ASSEMBLY AS MANUFACTURED BY CON-STAB.

P. EXPOSED SUPPORTS AND ATTACHMENTS SHALL BE STAINLESS STEEL, CHROME OR CHROME PLATED. GALVANIZED ATTACHMENTS WILL NOT BE ACCEPTED.

Q. USE MATERIALS SPECIFIED ON THESE PLANS. SUBSTITUTIONS ARE ALLOWED ONLY IF SPECIFIED MATERIALS ARE UNAVAILABLE. PRODUCT SUBSTITUTIONS WILL NOT BE ACCEPTED WITHOUT PRIOR APPROVAL. ALL WATER PIPING, FITTINGS, FIXTURES AND ACCESSORIES SHALL BE CERTIFIED LEAD FREE AS DEFINED IN, AND PER THE INTENT OF, THE "REDUCTION IN LEAD IN DRINKING WATER ACT".

PART II - EXECUTION (C15100)

2.01 TRENCHING (C15100)

A. EXCAVATION, BACKFILLING, AND TRENCH WORK SHALL BE DONE IN ACCORDANCE WITH LATEST O.S.H.A. AND APPLICABLE SAFETY STANDARDS.

B. PROVIDE NECESSARY SHORING AND CLEANING TO KEEP TRENCHES IN GOOD WORKING CONDITION, INCLUDING PUMPING OUT WATER.

C. IN MOSTLY ROCK MATERIAL, TRENCHES SHALL BE EXCAVATED TO 6" BELOW THE ELEVATION OF THE BOTTOM OF THE PIPES. AFTER EXCAVATION, TRENCH SHALL THEN BE FILLED TO THE PROPER ELEVATION WITH CRUSHED LIMESTONE GRAVEL SHALL BE REMOVED FROM UNDER PIPE BELLS SO THE PIPE RESTS FIRMLY ON THE TRENCH BOTTOM.

D. IN MOSTLY EARTH OR SAND MATERIAL, TRENCHES SHALL BE EXCAVATED TO 6" BELOW THE ELEVATION OF THE BOTTOM OF THE PIPES. AFTER EXCAVATION, TRENCH SHALL THEN BE FILLED TO THE PROPER ELEVATION WITH FINE SAND OR GRAVEL. TRENCH BOTTOM SHALL BE REMOVED AT PIPE BELLS SO THE PIPE RESTS FIRMLY ON THE TRENCH BOTTOM.

E. BACKFILLING AND TAMPING SHALL BE CAREFULLY DONE BY HAND SIMULTANEOUSLY ALONG BOTH SIDES OF THE PIPE USING ROCK FREE EARTH, CRUSHED STONE OR SAND UNTIL THE PIPE IS COVERED TO A DEPTH OF AT LEAST 12". BACKFILL SHALL BE ACCOMPLISHED IN SUCCESSIVE 6" LAYERS. THE REST OF THE FILL-UP TO THE TOPSOIL LAYER MAY BE GRAVEL OR ROCK FREE EARTH.

F. ACCEPTABLE SOIL MATERIALS FOR BACKFILL AND FILL SHALL BE FREE OF CLAY, ROCK OR GRAVEL LARGER THAN 2" IN ANY DIMENSION, DEBRIS, WASTE, FROZEN MATERIALS AND OTHER DELETERIOUS MATTER HAVING A PLASTICITY INDEX LESS THAN 30. BACKFILL SHALL BE ACCOMPLISHED IN LAYERS OF NOT MORE THAN 6" AND EACH LAYER SHALL BE COMPACTED. THE LAST 12" OF BACKFILL SHALL BE ROCK FREE TOPSOIL.

G. SURFACE SHALL BE RESTORED TO ITS ORIGINAL CONDITION.

2.02 INSTALLATION (C15100)

A. WATER PIPING IN EXTERIOR WALL SHALL BE INSTALLED ON THE HEATED SIDE OF WALL INSULATION.

B. EXPOSED HOT AND COLD WATER TRIM FITTINGS AND ACCESSORIES IN FINISHED AREAS SHALL BE CHROME FINISHED.

C. ACCEPTABLE METHODS OF PIPE SUPPORT WITHIN WALLS SHALL BE THE SUMNER SYSTEM, POSIFIX, STAKFIX, PIPEFIX, HILDORITE OR CHANNEL.

D. PROVIDE J.R. SMITH OR APPROVED EQUAL SHOCK ABSORBERS #5005 THRU 5050 SIZE AS RECOMMENDED BY MANUFACTURER INSTALLED ON HOT AND COLD WATER BRANCH LINES CONTAINING SINGLE LEVER FAUCETS, FLUSH VALVES OR EQUIPMENT WITH QUICK CLOSING VALVES BETWEEN THE LAST TWO FIXTURES AS SHOWN ON THE CONTRACT DRAWINGS. SHOCK ABSORBERS SERVICING FIXTURES WITH FLUSH VALVES SHALL BE SECURELY ANCHORED IN THEIR VERTICAL POSITION.

E. SANITARY WASTE LINES SHALL BE UNIFORMLY GRADED TO ELEVATIONS SHOWN. IF NO ELEVATIONS ARE GIVEN, SEWERS SHALL BE PITCHED NOT LESS THAN 1/4" PER FOOT FOR ALL PIPING 2-1/2" IN DIAMETER AND SMALLER AND 1/8" PER FOOT FOR ALL PIPING 3" IN DIAMETER AND LARGER.

F. STORM PIPING SHALL BE SLOPED AT 1/4" PER FT (2%) UNLESS NOTED OTHERWISE ON PLANS.

G. SUPPORT HORIZONTAL PIPING ACCORDING TO LOCAL PLUMBING CODE. HANGER RODS SHALL BE SIZED AS FOLLOWS:

Table with 2 columns: NOMINAL PIPE SIZE (IN) and MINIMUM HANGER DIAMETER (IN). Rows include 1/2", 3/4 TO 1-1/2", 2 TO 2-1/2", 3 TO 6.

H. HANGERS FOR PIPING GREATER THAN 1" SHALL PASS OVER THE INSULATION. PROVIDE SADDLES FOR INSULATED PIPING.

I. INSULATION SHALL BE APPLIED WITH JOINTS TIGHTLY BUTTED. OPEN CRACKS, VOIDS AND DEPRESSIONS SHALL BE FILLED WITH HYDRAULIC SETTING CEMENT, LAPPING MATCHING THE FINISH SHALL BE PASTED NEATLY OVER JOINTS. FITTINGS AND VALVES SHALL BE INSULATED WITH THE SAME TYPE.

J. PROVIDE AND INSTALL A CUT-OFF VALVE, UNION AND FULL SIZE DIRT LEG AT CONNECTION TO EACH GAS-FIRED PIECE OF EQUIPMENT. INSTALL PIPING AT AND AROUND EQUIPMENT SO AS TO NO WAY OBSTRUCT EQUIPMENT ACCESS PANELS AND/OR ACCESS DOORS.

K. COORDINATE ABOVE CEILING PIPING LOCATIONS AND ROUTING WITH HVAC CONTRACTOR AND M-SHEETS PRIOR TO INSTALLATION. ALL MAIN DUCT TRUNK LOCATIONS SHALL TAKE PRIORITY. PIPING MAY REQUIRE REMOVAL AND REINSTALLATION AT PLUMBING CONTRACTOR'S EXPENSE IF PIPING OBSTRUCTS THE M-SHEET DUCT LAYOUT AS SHOWN OR PREVENTS ACCESS TO GREASE DUCT CLEANOUT OPENINGS.

L. ALL GAS PIPING ABOVE ROOF SHALL BE CLEANED FREE OF RUST AND PAINTED WITH COAT OF ZINC RUST PRIMER AND ONE COAT OF ALUMINUM BASE PAINT. METER AND GAS RISER SHALL BE PRIMED AND PAINTED TO MATCH BUILDING.

2.03 TESTING (C15100)

A. POTABLE WATER PIPING SHALL BE PRESSURE TESTED IN ACCORDANCE WITH APPLICABLE CODE REQUIREMENTS AND MANUFACTURERS RECOMMENDATIONS.

B. THE POTABLE WATER SYSTEM SHALL BE FLUSHED OUT PROGRESSIVELY BY OPENING OUTLETS AND FLOWING WATER UNTIL IT RUNS CLEAR. AFTER PIPE CLEANING IS COMPLETED, THE STRAINERS SHALL BE REMOVED, CLEANED, AND REPLACED. THEN THE ENTIRE POTABLE WATER SYSTEM SHALL BE DISINFECTED IN ACCORDANCE WITH THE AUTHORITY HAVING JURISDICTION.

C. THE SANITARY WASTE SYSTEM SHALL BE FLUSHED OUT PROGRESSIVELY WITH FLOWING WATER UNTIL IT RUNS CLEAR.

D. THE ENTIRE SANITARY WASTE SYSTEM AND STORM DRAINAGE SYSTEM SHALL BE PRESSURE TESTED IN ACCORDANCE WITH APPLICABLE CODE REQUIREMENTS AND MANUFACTURERS RECOMMENDATIONS.

E. NATURAL GAS PIPING SHALL BE LEAK TESTED IN ACCORDANCE WITH APPLICABLE CODE REQUIREMENTS AND MANUFACTURERS RECOMMENDATIONS.

F. FLOOR SINKS: ZURN WITH ALUMINUM SEDIMENT BUCKETS. NO SUBSTITUTIONS ALLOWED.

G. FLOOR SINKS: ZURN WITH ALUMINUM SEDIMENT BUCKETS. NO SUBSTITUTIONS ALLOWED.

H. FLOOR SINKS: ZURN WITH ALUMINUM SEDIMENT BUCKETS. NO SUBSTITUTIONS ALLOWED.

I. FLOOR SINKS: ZURN WITH ALUMINUM SEDIMENT BUCKETS. NO SUBSTITUTIONS ALLOWED.

J. FLOOR SINKS: ZURN WITH ALUMINUM SEDIMENT BUCKETS. NO SUBSTITUTIONS ALLOWED.

K. FLOOR SINKS: ZURN WITH ALUMINUM SEDIMENT BUCKETS. NO SUBSTITUTIONS ALLOWED.

L. FLOOR SINKS: ZURN WITH ALUMINUM SEDIMENT BUCKETS. NO SUBSTITUTIONS ALLOWED.

M. FLOOR SINKS: ZURN WITH ALUMINUM SEDIMENT BUCKETS. NO SUBSTITUTIONS ALLOWED.

N. FLOOR SINKS: ZURN WITH ALUMINUM SEDIMENT BUCKETS. NO SUBSTITUTIONS ALLOWED.

O. FLOOR SINKS: ZURN WITH ALUMINUM SEDIMENT BUCKETS. NO SUBSTITUTIONS ALLOWED.

P. FLOOR SINKS: ZURN WITH ALUMINUM SEDIMENT BUCKETS. NO SUBSTITUTIONS ALLOWED.

Q. FLOOR SINKS: ZURN WITH ALUMINUM SEDIMENT BUCKETS. NO SUBSTITUTIONS ALLOWED.

R. FLOOR SINKS: ZURN WITH ALUMINUM SEDIMENT BUCKETS. NO SUBSTITUTIONS ALLOWED.

S. FLOOR SINKS: ZURN WITH ALUMINUM SEDIMENT BUCKETS. NO SUBSTITUTIONS ALLOWED.

T. FLOOR SINKS: ZURN WITH ALUMINUM SEDIMENT BUCKETS. NO SUBSTITUTIONS ALLOWED.

U. FLOOR SINKS: ZURN WITH ALUMINUM SEDIMENT BUCKETS. NO SUBSTITUTIONS ALLOWED.

V. FLOOR SINKS: ZURN WITH ALUMINUM SEDIMENT BUCKETS. NO SUBSTITUTIONS ALLOWED.

W. FLOOR SINKS: ZURN WITH ALUMINUM SEDIMENT BUCKETS. NO SUBSTITUTIONS ALLOWED.

X. FLOOR SINKS: ZURN WITH ALUMINUM SEDIMENT BUCKETS. NO SUBSTITUTIONS ALLOWED.

Y. FLOOR SINKS: ZURN WITH ALUMINUM SEDIMENT BUCKETS. NO SUBSTITUTIONS ALLOWED.

Z. FLOOR SINKS: ZURN WITH ALUMINUM SEDIMENT BUCKETS. NO SUBSTITUTIONS ALLOWED.

NATIONAL ACCOUNTS table with 1 row: TOTO VALVES AND FIXTURES (NO SUBSTITUTIONS). HAINES, JONES & CADBURY LLC. (HJC DISTRIBUTORS). PLEASE CONTACT HJC-CFA CUSTOMER SERVICE REPRESENTATIVE AT (800) 459-7099 OR VIA E-MAIL AT: CF@HJCNIC.COM FOR NATIONAL ACCOUNT PRICING AND DELIVERY FOR ALL ITEMS ON PLUMBING FIXTURE SCHEDULE.

2. PLUMBING FIXTURES

RESTROOM FIXTURES (C15405) AND PLUMBING (15100)

P-1 WATER CLOSET: TOTO MODEL CT705UN#01 BOWL WITH 1.28 GPF TET1L3A2#CP ECO-POWER FLUSH VALVE AND SC534 SEAT (ALL PROVIDED BY HJC). NO SUBSTITUTIONS. WHITE, FLOOR MOUNTED, FLUSH VALVE TYPE, VITREOUS CHINA, 1-1/2" TOP SPUD, ELONGATED BOWL, ELECTRONIC SENSOR OPERATED HANDS-FREE FLUSH VALVE, WHITE OPEN FRONT SEAT WITH CHECK HINGE. CHICK-FIL-A HAS NATIONAL ACCOUNTS WITH TOTO. PLEASE SEE NATIONAL ACCOUNT INFORMATION ON THIS SHEET FOR PRICING OF TOTO FIXTURES.

P-2 WATER CLOSET (ADA): TOTO MODEL CT705ULN#01 BOWL WITH 1.28 GPF TET1L3A2#CP ECO-POWER FLUSH VALVE AND SC534 SEAT (ALL PROVIDED BY HJC). NO SUBSTITUTIONS. H.C. ACCESSIBLE, WHITE, FLOOR MOUNTED, 17-1/2" HIGH, FLUSH VALVE TYPE, VITREOUS CHINA, 1-1/2" TOP SPUD, ELONGATED BOWL, ELECTRONIC SENSOR OPERATED HANDS-FREE FLUSH VALVE, WHITE OPEN FRONT SEAT WITH CHECK HINGE. CHICK-FIL-A HAS NATIONAL ACCOUNTS WITH TOTO. PLEASE SEE NATIONAL ACCOUNT INFORMATION ON THIS SHEET FOR PRICING OF TOTO FIXTURES.

P-3 URINAL: TOTO MODEL UT445U#01 URINAL WITH TEU1UA12#CP 0.125 GPF SELF SUSTAINED HYDROPOWER SELF-GENERATING ELECTRONIC SENSOR-OPERATED FLUSH VALVE (BOTH PROVIDED BY HJC). NO SUBSTITUTIONS. VITREOUS CHINA, 3/4" TOP SPUD, SENSOR OPERATED WITH MANUAL OVERRIDE BUTTON, INTERNAL VALVE FILTER PROTECTION, PLEASE SEE NATIONAL ACCOUNT INFORMATION ON THIS SHEET FOR PRICING OF TOTO PRODUCTS.

P-4A LAVATORY FAUCET: (BUILT-IN COUNTERTOP LAVATORY PROVIDED BY OWNER) TOTO MODEL TEL155-D10E#TR ECO-POWER SENSOR HOT/COLD FAUCET WITH THERMOSTATICALLY CONTROLLED ASSE 1070 MIXING VALVE FAUCET, 0.09 GALLONS PER CYCLE. NO SUBSTITUTIONS. PROVIDE MCGUIRE LF175 SUPPLY WITH STOP, MCGUIRE 155-WC GRID DRAIN WITH OFFSET TAILPIECE. MCGUIRE 8872C POLISHED CHROME P-TRAP. P-TRAP SHALL BE PARALLEL WITH BACK WALL. TRUEBRO INC., HANDI LAV-GUARD INSULATION KITS MODELS 101EZ AND 105EZ. (ALL PROVIDED BY HJC). CHICK-FIL-A HAS NATIONAL ACCOUNTS WITH TOTO. PLEASE SEE NATIONAL ACCOUNT INFORMATION ON THIS SHEET FOR PRICING OF TOTO FIXTURES.

P-4B LAVATORY FAUCET: (LAVATORY PROVIDED BY HJC) TOTO MODEL LT307 ECO-POWER SENSOR HOT/COLD FAUCET WITH THERMOSTATICALLY CONTROLLED ASSE 1070 MIXING VALVE FAUCET, 0.09 GALLONS PER CYCLE. NO SUBSTITUTIONS. MCGUIRE LF175 SUPPLY WITH STOP, MCGUIRE 155-WC GRID DRAIN WITH OFFSET TAILPIECE. MCGUIRE 8872C POLISHED CHROME P-TRAP. P-TRAP SHALL BE PARALLEL WITH BACK WALL. TRUEBRO INC., HANDI LAV-GUARD INSULATION KITS MODELS 101EZ AND 105EZ. (ALL PROVIDED BY HJC). CHICK-FIL-A HAS NATIONAL ACCOUNTS WITH TOTO. PLEASE SEE NATIONAL ACCOUNT INFORMATION ON THIS SHEET FOR PRICING OF TOTO FIXTURES.

P-5 KITCHEN HAND SINK ROUGH IN: SINK BY TMS; FAUCET: TOTO MODEL #TEL165-C20E#CP - PROVIDED BY HJC WITH THP3094 NOZZLE. CONTRACTOR SHALL INSTALL WALL HUNG, STAINLESS STEEL SINK AND FAUCET SET AND MAKE FINAL CONNECTIONS. MCGUIRE LF175 SUPPLIES WITH STOPS AND MCGUIRE 8912C POLISHED CHROME P-TRAP (PROVIDED BY HJC). ADJUST FAUCET OUTLET TEMPERATURE TO 110 DEGREES F (OR HIGHER AS REQUIRED BY LOCAL JURISDICTION).

P-5A KITCHEN DUMP SINK ROUGH IN: (SINK BY TMS; FAUCET: T&S MODEL # B-1146-CFA-VF05 - PROVIDED BY HJC WITH THP3094 NOZZLE) CONTRACTOR SHALL INSTALL WALL HUNG, STAINLESS STEEL SINK AND FAUCET SET AND MAKE FINAL CONNECTIONS. MCGUIRE LF175 SUPPLIES WITH STOPS (PROVIDED BY HJC).

P-6 SERVING COUNTER DROP IN SINK ROUGH IN: (SINK PROVIDED BY CLAYTON FIXTURE; FAUCET: T&S EC-3100-7XF1THG WITH 1.0 GPM AERATOR PROVIDED BY HJC) CONTRACTOR SHALL INSTALL SINK AND FAUCET SET AND MAKE FINAL CONNECTIONS. MCGUIRE 8912C POLISHED CHROME P-TRAP AND MCGUIRE LF175 SUPPLIES WITH STOP. CHROME PLATED 3/4" COPPER RISERS (PROVIDED BY HJC). ADJUST FAUCET OUTLET TEMPERATURE TO 110 DEGREES F (OR HIGHER AS REQUIRED BY LOCAL JURISDICTION).

P-7 MOP SINK FAUCET: (MOP SINK BASIN BUILT BY GENERAL CONTRACTOR) PROVIDE T&S BRASS MODEL B-2345 FAUCET WITH CERAMA SPRING CHECK VALVE CARTRIDGES, HOSE THREAD SPOUT OUTLET, TOP BRACE, ADJUSTABLE INLET SPREAD FROM 3" TOP 8". INCLUDE T&S BRASS MODEL 34-072 HOSE THREAD X 3/4" FEMALE NPT CHROME ADAPTOR (ALL PROVIDED BY HJC). NO SUBSTITUTIONS. SEE ALSO P-16.

P-8 VEGETABLE PREP SINK ROUGH-IN: (SINK PROVIDED BY TMS; FAUCET T&S B-042-14-CRBC7 WITH 0.65 GPM SPRAY HEAD BY HJC) CONTRACTOR SHALL INSTALL SINK AND MAKE FINAL CONNECTIONS. MCGUIRE LF175 STOPS AND BRASS CRAFT 36" CHROME PLATED 1/2" OD COPPER RISERS MODEL 3-36AC (PROVIDED BY HJC). ASSEMBLE AND MOUNT TWO HANDLE FAUCET WITH PRE-RINSE SPRAY ARM. INSTALL ADD-ON FAUCET WITH SPOUT AT BASE OF PRE-RINSE RISER. SEE K-SHEET ELEVATIONS. PROVIDE 1-1/2" SCHED 80 PVC (PIPE AND FITTINGS) INDIRECT WASTE LINES FROM SINK BASINS TO FLOOR SINK P-13B. NO P-TRAPS REQUIRED. HIC TO PROVIDE FISHER #22209 DRAINS WITH FLAT STRAINERS.

P-9 FOUR COMPARTMENT POT SINK ROUGH-IN: (SINK PROVIDED BY TMS; FAUCETS: T&S B-0152-14-CRAC7 & B-2299-CR WITH 0.65 GPM SPRAY HEAD PROVIDED BY HJC) CONTRACTOR SHALL INSTALL SINK, ASSEMBLE & MOUNT TWO FAUCETS, AND MAKE FINAL CONNECTIONS. MCGUIRE LF175 STOPS AND BRASS CRAFT 36" CHROME PLATED 1/2" OD COPPER RISERS MODEL 3-36AC (PROVIDED BY HJC). ASSEMBLE AND MOUNT ONE TWO-HANDLE FAUCET WITH PRE-RINSE SPRAY. INSTALL ADD-ON FAUCET WITH SPOUT AT BASE OF PRE-RINSE RISER. ASSEMBLE AND MOUNT ONE TWO-HANDLE FAUCET WITH DOUBLE JOINT SPOUT ON OPPOSITE SIDE. SEE K-SHEET ELEVATIONS FOR FAUCET LOCATIONS. PROVIDE 1-1/2" SCHED 80 PVC (PIPE AND FITTINGS) INDIRECT WASTE LINES FROM EACH SINK BASIN TO FLOOR SINK P-13A. NO P-TRAPS REQUIRED. HIC TO PROVIDE FISHER #22209 DRAINS WITH FLAT STRAINERS.

P-10 FLOOR DRAIN (3"): ZURN E21-PV3-R8 PVC BODY, BRONZE SPUD WITH 8" DIAMETER NICKEL BRONZE STRAINER (PROVIDED BY HJC). ALT: JONES STEPHENS CORP D53-144.

P-11 WALL HYDRANT (NON-FREEZE): WOODFORD MODEL 67C AUTOMATIC DRAINING WALL HYDRANT WITH DUAL CHECK BFP, ASSE 1052 APPROVED, WALL CLAMP, POLISHED BRASS FINISH (PROVIDED BY HJC). 1" STYLE INLET. SEE WALL HYDRANT NOTES ON 1/P-201 FOR WALL THICKNESS AT WALL HYDRANTS. ALT: (WTS) HY-42.

P-12 FUNNEL DRAIN (3"): ZURN MODEL ZN145-3NL-6S-4 FLOOR DRAIN W/FUNNEL. INDIRECT WASTE RECEIVER WITH NICKEL BRONZE STRAINER AND FUNNEL. PROVIDE 6" SQUARE STRAINER WITH 4" ROUND FUNNEL AT ICE MACHINE & WALK-IN COOLER (PROVIDED BY HJC). ALT: 4" ROUND FUNNEL (ZURN) ZN328-4.

P-13A FLOOR SINK (POT SINK): ZURN MODEL Z1901-4NL-1-23-KC CAST IRON INDIRECT WASTE RECEIVER WITH NICKEL BRONZE STRAINER AND FUNNEL. PROVIDE 6" SQUARE STRAINER WITH 4" ROUND FUNNEL AT ICE MACHINE & WALK-IN COOLER (PROVIDED BY HJC). ALT: 4" ROUND FUNNEL (ZURN) ZN328-4.

P-13B FLOOR SINK (VEGETABLE SINK): ZURN MODEL Z1910-KC-3NL-1-23 CAST IRON INDIRECT WASTE RECEIVER WITH FLASHING CLAMP, 8" SQ. BODY, ALUMINUM SEDIMENT BUCKET, AND NO GRATE (PROVIDED BY HJC). NO SUBSTITUTIONS.

P-14 CLEANOUTS INSIDE BUILDING: ZURN ZN1400-XNL-T-BP CLEANOUT WITH 6" SQUARE NICKEL BRONZE TOP AND TAPER THREAD BRONZE PLUG. SEE PLAN FOR SIZE. (X=PIPE DIA) (PROVIDED BY HJC).

P-15 CLEANOUTS OUTSIDE BUILDING: ZURN Z1474-NX EXTRA HEAVY DUTY CAST IRON CLEANOUT, 2" O.D. CAST IN COVER, ABS PLUG, NEO-LOCK OUTLET. (X=PIPE DIA) (PROVIDED BY HJC). ALT: (ZURN) Z1474-X-N.

P-16 3-WAY DIVERTER VALVE ASSEMBLY: WATTS MODEL LFB 6780 ROUGH BRASS LEAD-FREE DIVERTER BALL VALVE WITH 3/4" FIP INLET AND OUTLETS AND QUARTER TURN LEVER HANDLE. PROVIDE WITH TWO (2) FLOOR BRASS 3/4" MIP X 3/4" MALE GARDEN HOSE THREAD ADAPTERS (PLUMBEST MODEL G20-103 OR EQUAL). PROVIDE WITH ONE ASSE 1011 APPROVED CHROME PLATED VACUUM BREAKER (WOODFORD MODEL 34H-CR OR EQUAL) (ALL PROVIDED BY HJC). FOR INSTALLATION AT MOP SINK. SEE 4/P-201. PROVIDE ALSO TWO 3/4" CLOSE CHROME PLATED BRASS NIPPLE AND 3/4" POLISHED CHROME 90 DEGREE ELBOW.

P-17 VACUUM RELIEF VALVE: WATTS MODEL #FN36M1, 3/4" CONNECTION. (PROVIDED BY HJC).

P-18 EXPANSION TANK: AG SMITH MODEL TW12-5. ACCEPTANCE 2.19 GALLONS (PROVIDED BY HJC) AT 40 PSI PRECHARGE, 3/4" CONNECTION. ALTERNATE MODELS SIZED PER WATER HEATER MANUFACTURER RECOMMENDATIONS ARE ACCEPTABLE.

P-19 WATER HEATER: BRADFORD-WHITE EF-60T-125E-3N STORAGE TYPE GAS FIRED 60 GALLON WATER HEATER, 125MBH INPUT, 145 GPH RECOVERY AT 100F RISE, DIRECT VENT, BLOWER POWERED, CONDENSING TYPE WITH THREE-YEAR WARRANTY (PROVIDED BY HJC). CONTRACTOR TO PROVIDE DIELECTRIC HEAT TRAP NIPPLES. STATE INDUSTRIES SUP-100-199-AE, RHEEM GHE80-130, AND BRADFORD-WHITE EF-60T-199-3N MODELS ARE ACCEPTABLE SUBSTITUTES. (ANY SUBSTITUTIONS PROVIDED ON REQUEST FROM HJC.)

P-20 THERMOMETER: PROVIDE TRECICE MODEL BB3404 - 04 3" DIAL TYPE THERMOMETER WITH BOTTOM 1/2" N.P.T. CONNECTION, 4" STEM AND 0 DEG F TO 200 DEG F RANGE. LEAD FREE. (PROVIDED BY HJC.)

P-21 BACKFLOW PREVENTERS: COORDINATE LOCATION WITH CIVIL SITE UTILITY PLAN. BACKFLOW PREVENTER TYPE AND MODEL IS DETERMINED BY CIVIL ENGINEER IF LOCATED OUTSIDE THE BUILDING.

DOUBLE CHECK TYPE: WATTS NO. LFU007M1QT 1-1/2" DUAL CHECK MODULAR TYPE BACKFLOW PREVENTER MEETING ASSE 1015 AND AWWA C510-92. WHERE REQUIRED BY LOCAL AUTHORITY, USE THE RP2 TYPE BFP SHOWN BELOW. ALT: (ZRN) 112-350XL.

REDUCED PRESSURE ZONE (RPZ) TYPE: WATTS NO. LFU009M2 1-1/2" MODULAR TYPE WITH TEST PORTS AND INTERMEDIATE RELIEF VALVE MEETING ASSE 1013 AND AWWA C511-89. PROVIDE WATTS NO. 909-AG-C AIR GAP DEVICE. ALT: (ZRN) 112-975XL2TU. (ANY AND ALL PROVIDED BY HJC.)

REDUCED PRESSURE ZONE (RPZ) TYPE: WATTS NO. LFU009M2 1-1/2" MODULAR TYPE WITH TEST PORTS AND INTERMEDIATE RELIEF VALVE MEETING ASSE 1013 AND AWWA C511-89. PROVIDE WATTS NO. 909-AG-C AIR GAP DEVICE. ALT: (ZRN) 112-975XL2TU.

P-22 MOP SINK CHECK VALVES: T&S BRASS 1/2" MODEL B-CV1-2 BALL CHECK. (PROVIDED BY HJC)

P-23 UTILITY CONNECTION (ICE MAKER): PROVIDE A MCGUIRE MODEL LFH5T06SB LEAD-FREE CHROME WHEEL ANGLE STOP, 1/2" FIP INLET AND OUTLET (PROVIDED BY HJC). PROVIDE CHROME WALL ESCUTCHEON. INSTALL WITH BFP P-34. SEE DETAIL 3/P-201 FOR PIPING AT ICE MAKERS.

P-24 UTILITY CONNECTION (COFFEE & TEA BREWERS): PROVIDE A MCGUIRE MODEL LFH5T06SB LEAD-FREE CHROME WHEEL ANGLE STOP, 1/2" FIP INLET AND OUTLET (PROVIDED BY HJC). PROVIDE CHROME WALL ESCUTCHEON. INSTALL WITH BFP P-34.

P-25 SHOCK ABSORBER: ZURN Z1700-100 THRU Z1700-300 AS NEEDED. SIZE AS RECOMMENDED BY MANUFACTURER (PROVIDED BY HJC). ALT: (WTS) SSA + SSB; (JRS 5005 THROUGH 5050)

P-26 FUNNEL DRAIN (3"): ZURN ZN145-3NL-8S-OF FLOOR DRAIN W/FUNNEL. INDIRECT WASTE RECEIVER WITH NICKEL BRONZE STRAINER AND FUNNEL. PROVIDE 6" ROUND STRAINER WITH 3.25" X 8.25" OBLONG FUNNEL (DRAIN AND STRAINER PROVIDED BY HJC). ALT: (JRS) 3510L03-F22NB.

P-26A TRAP SEAL PROTECTOR: PROVENT TRAP GUARD MODEL TG3H 3" TRAP SEAL INSERT FOR INTERIOR INSTALLATION AND REPLACEMENT ACCESS THROUGH STRAINER (PROVIDED BY HJC). PROVIDE AT P-35 FLOOR DRAINS IN RESTROOMS, P-37 FLOOR DRAINS DINING ROOM, AND P-26/P-10 DRAINS IN MECH ROOM. PROVIDE PRIMER MODEL TG33-ZURN WHEN USING ZURN FLOOR FIXTURES (PROVIDED BY HJC).

P-27 WATER PRESSURE GAUGE: TRECICE MODEL 800B, 2-1/2" ROUND, BOTTOM OUTLET WITH 1/4" N.P.T. CONNECTION AND 0 TO 100 PSI RANGE. (PROVIDED BY HJC.)

P-28 ISOLATION BALL VALVE (8-STOP WATER MANIFOLD PANEL): NIBCO MODEL 4660-T, 3/4", WITH IPS INLET AND OUTLET. (PROVIDED BY HJC.)

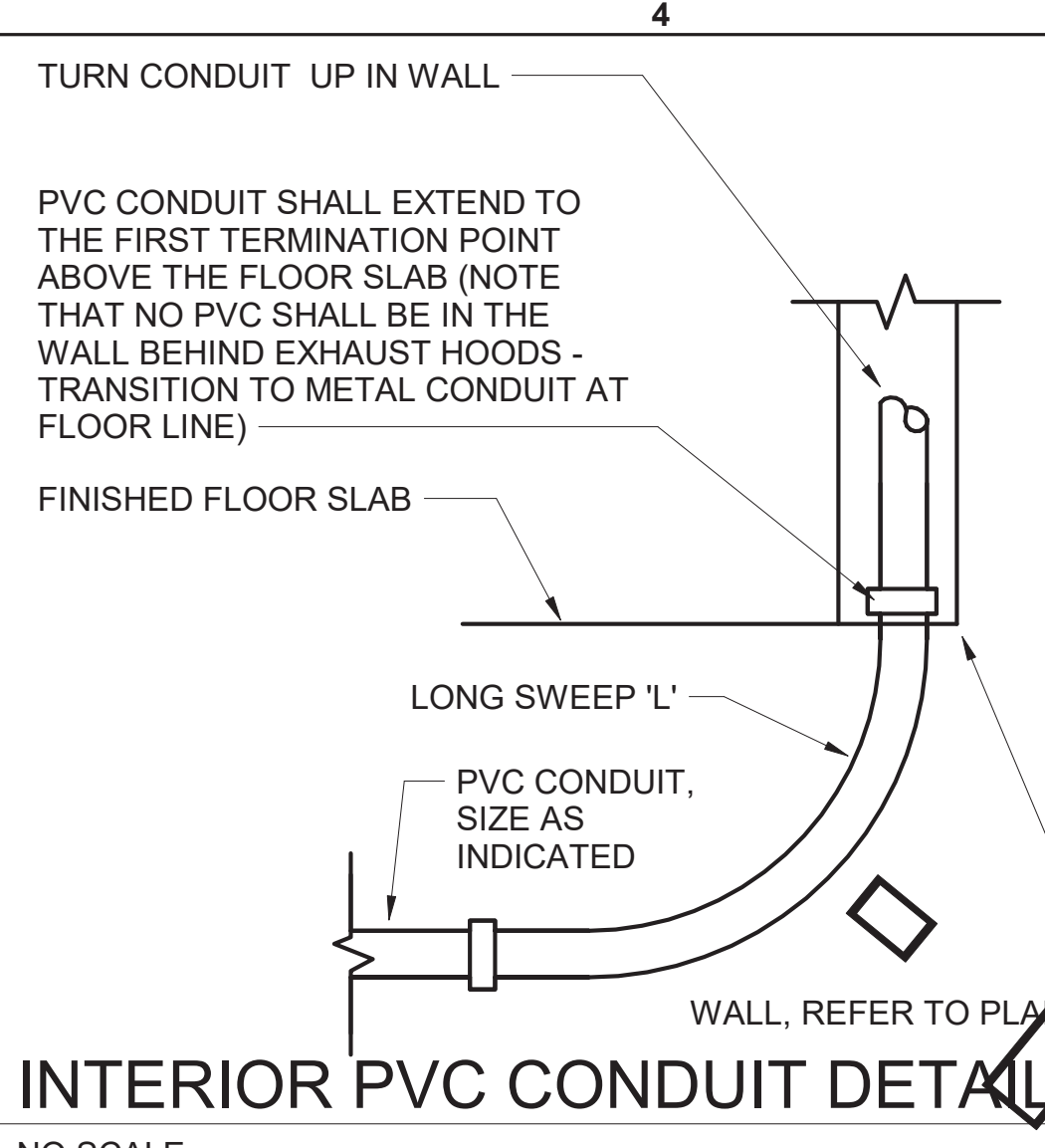
P-29 ICE MACHINE TRENCH DRAIN: ZURN/STAINLESS DRAINS TR12-CFA-XX STAINLESS STEEL TRENCH DRAIN, 14.5" X XX", STAINLESS STEEL SEDIMENT CUP AND STAINLESS STEEL SEPTIC GATE. (XX=DRAIN WIDTH, 18"/36"/48") (PROVIDED BY HJC). NO SUBSTITUTIONS.

P-30 FILTERED WATER FAUCET: (FAUCETS: T&S B-02326-CR-063X PROVIDED BY HJC) TWO-HANDLE WALL MOUNT FAUCET WITH SWING SPOUT. MOUNT ON WALL AS SHOWN ON K-SHEETS. PIPE FILTERED WATER TO BOTH SIDES OF FAUCET. CONNECT TO SUPPLY PIPING WITH BRASS OR CHROME NIPPLES; GALVANIZED NOT ALLOWED.

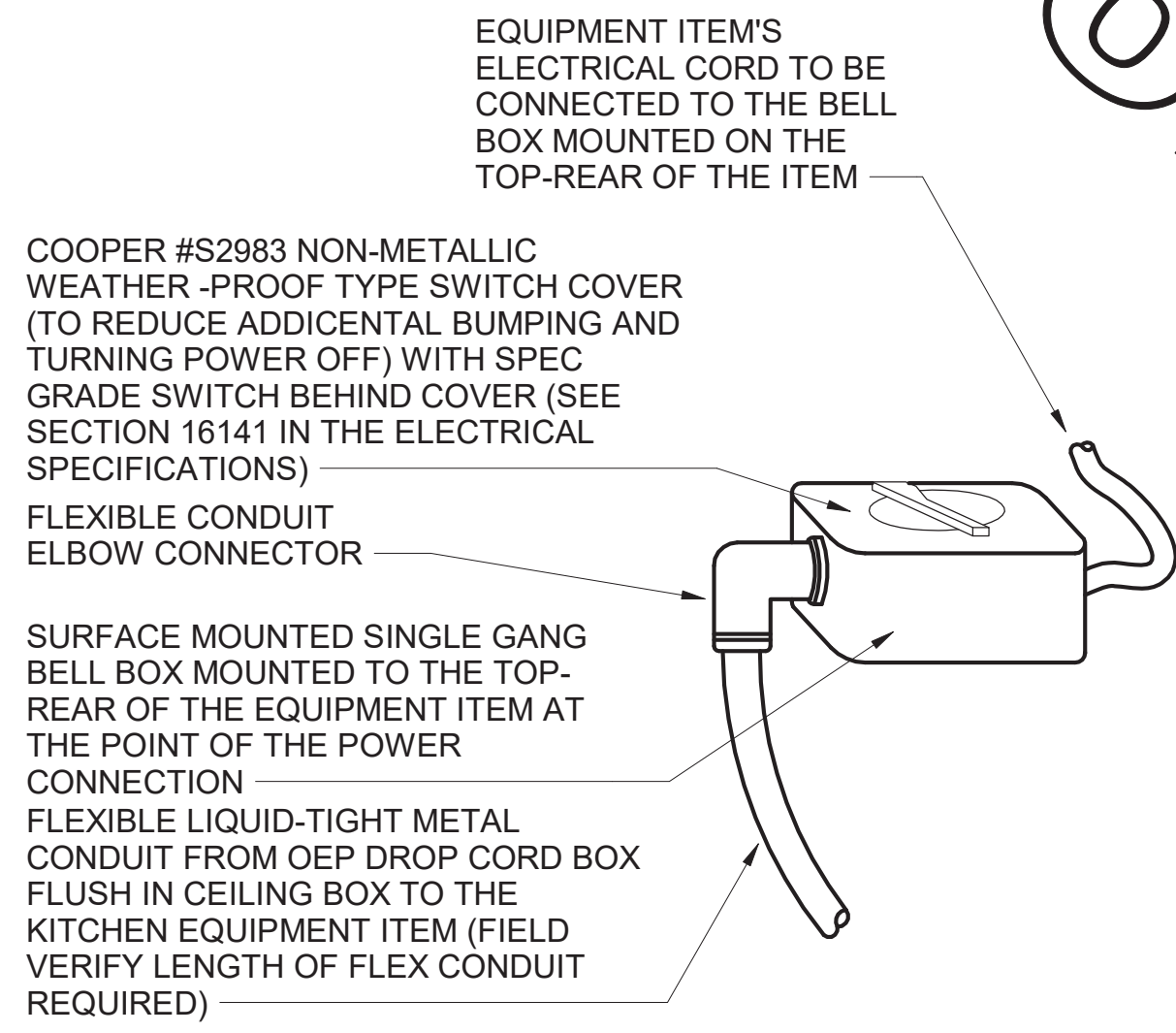
P-31 DUMPSTER POST HYDRANT (NON-FREEZE): WOODFORD MODEL Y2 LEVER TYPE POST HYDRANT, 3/4 HOSE CONNECTION, LOCKABLE LEVER HANDLE, BRASS CASING, BRASS OPERATING ROD, ASSE 1052 APPROVED AND 24" DEPTH OF BURY (PROVIDED BY HJC.)

P-32 DUMPSTER PAD DRAIN: J.R. SMITH FIGURE NO. 2280C03 3" FLOOR DRAIN WITH 7-1/2" HINGED CAST IRON SLOTTED GRATE AND SEDIMENT BUCKET (PROVIDED BY HJC.) INSTALLED BY SITE CONTRACTOR. ALT: (ZRN) Z415C-3NL-Y.

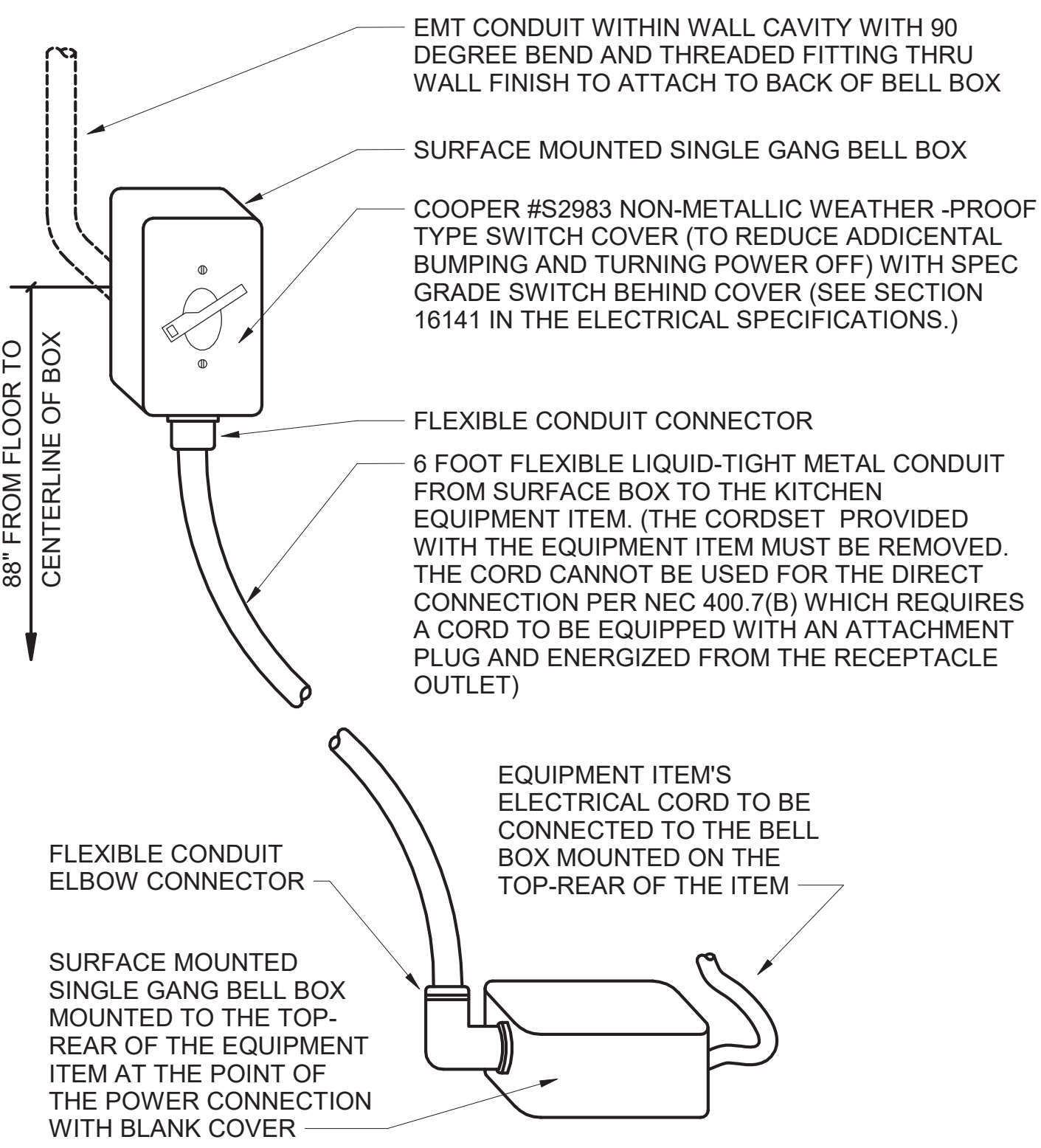
P-33 TRAP PRIMER (MECHANICAL TYPE). DO NOT USE UNLESS REQUIRED BY LOCAL AUTHORITY. PRECISION PRODUCTS PR-500. PROVIDE DISTRIBUTION UNIT DU1J WHERE SERVING MULTIPLE DRAINS. PROVIDE SCREWDRIVER STOP AT PRIMER INLET. (ALL PROVIDED BY HJC) ALT: (WTS) TP-300A-DR.



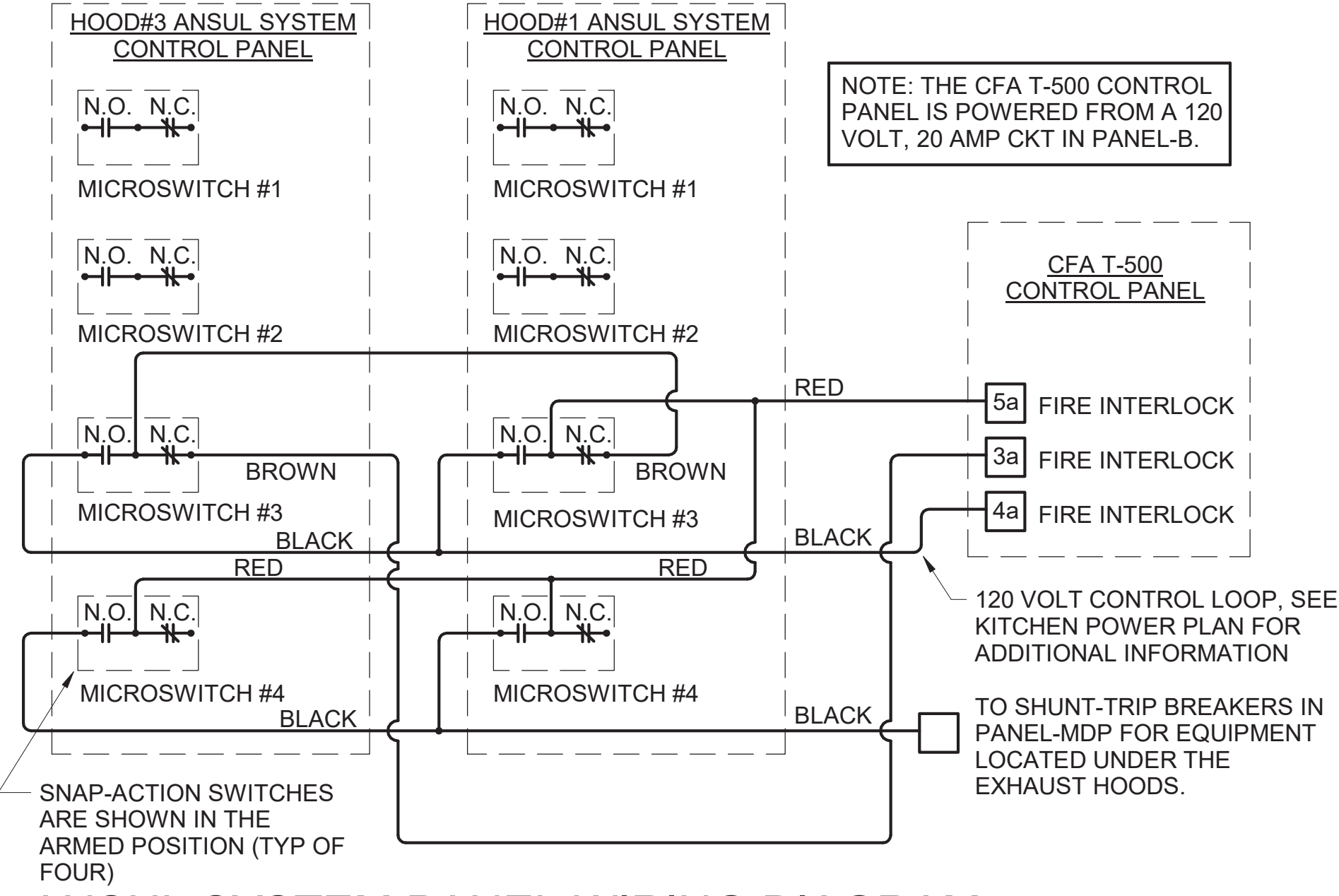
D4 INTERIOR PVC CONDUIT DETAIL
 NO SCALE



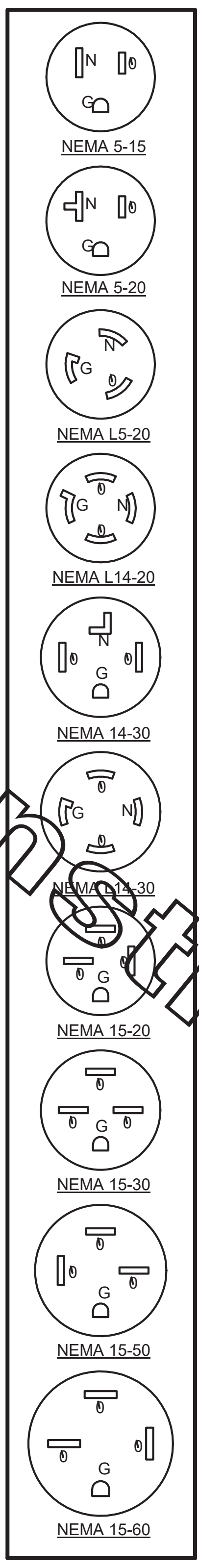
C4 DIRECT CONNECTION - ISLAND LOCATION
 NO SCALE



B4 DIRECT CONNECTION - WALL LOCATION
 NO SCALE



A3 ANSUL SYSTEM PANEL WIRING DIAGRAM
 NO SCALE



KITCHEN EQUIPMENT SCHEDULE NOTES

- ALL SO CORD LENGTHS SHALL BE MEASURED FROM THE REAR OF THE EQUIPMENT TO THE END OF THE CORD.
- CONTRACTOR SHALL PROVIDE GROUND-FAULT PROTECTION FOR ALL 120 VOLT 15 AMP AND 20 AMP RECEPTACLES IN THE KITCHEN / FOOD PREPARATION AREAS. GROUND-FAULT PROTECTION SHALL BE PROVIDED AT THE RECEPTACLE AS A GFCI TYPE RECEPTACLE UNLESS NOTED OTHERWISE ON THE PLANS WHERE A GFCI TYPE BREAKER IS INDICATED.
- PROVIDE GFCI TYPE BRANCH BREAKER FOR KITCHEN / FOOD PREPARATION AREA RECEPTACLES THAT ARE TWIST-LOCK, CLOCK STYLE, OR IG (ISOLATED GROUND) TYPE.

KITCHEN EQUIPMENT SCHEDULE - CHICK-FIL-A P13 EDITION

ITEM NO.	DESCRIPTION OF EQUIPMENT	VOLTS	PH	KW	AMPS	NEMA-RATING	COMMENTS AND REMARKS
120	HOT HOLDING CENTERLINE TABLE	120/208	3	3.20	16.00	DIRECT CONNECTION	60 AMP SERVICE REQUIRED TO POWER TABLE AND ADDITIONAL EQUIPMENT EXCEPT POS - ORDER WITH ITEM #27807900
120a	COLD CENTERLINE TABLE	120/208	3	0.78	6.5	DIRECT CONNECTION	60 AMP SERVICE REQUIRED TO POWER TABLE & ADDITIONAL EQUIPMENT EXCEPT POS - ORDER W/ ITEM #27808160
120c	TOASTER CENTERLINE TABLE	120/208	3			DIRECT CONNECTION	60 AMP SERVICE REQUIRED TO POWER TABLE & ADDITIONAL EQUIPMENT EXCEPT POS - ORDER W/ITEM #27802293
120d	CENTERLINE UNDERCOUNTER REFRIGERATOR	115	1	0.58	5	5-15P	LOCATED UNDER ITEM #120a - FRANKIE COLD TABLE CIRCUIT #1
180	ORDER REGISTER	120	1			5-20P	
180R	ORDER REGISTER	120	1		0.70	5-20P	
182	RECEIPT PRINTER	other	1	1.80		5-20P	PROVIDED WITH 120V/24V POWER SUPPLY ADAPTER FOR USE WITH 120V IG OUTLET
182L	LABEL PRINTER	other	1	1.70		5-20P	PROVIDED WITH 120V/24V POWER SUPPLY ADAPTER FOR USE WITH 120V IG OUTLET
182LR	LABEL PRINTER	other	1	1.70		5-20P	
182R	RECEIPT PRINTER	other	1	1.80		5-20P	PROVIDED WITH 120V/24V POWER SUPPLY ADAPTER FOR USE WITH 120V IG OUTLET
183	ORDER MONITOR	120	1	0.125		5-20P	
183R	ORDER MONITOR	120	1	0.125		5-20P	
184	IPAD	120	1	0.120	1.00	5-20P	PROVIDED BY CONNECTION
184R	IPAD	120	1	0.120	1.00	5-20P	
184T	ITIMER	120	1	0.120	1.00	5-20P	PROVIDED BY CLARK
190R	DRIVE-THRU VIDEO MONITOR	120	1	0.8		5-20P	
211B	FLY SYSTEM	120	1	0.078	0.65	5-15P	CLOCK STYLE RECEPTACLE REQUIRED
211C	FLY SYSTEM	120	1	.03	.25	5-15P	RE: ARCHITECTURAL SHEETS FOR MOUNTING DETAILS
269	ANSUL FIRE SUPPRESSION SYSTEM	120	1		VERIFY	DIRECT CONNECTION	REMOTE CABINET - REFER TO SHOP DRAWINGS - FED FROM CFA-T500 PANEL
270	ANSUL FIRE SUPPRESSION SYSTEM	120	1		VERIFY	DIRECT CONNECTION	LOCATED ABOVE HOOD - BEHIND CLOSURE PANEL - REFER TO SHOP DRAWINGS - FED FROM CFA-T500 PANEL
300aR	MILKSHAKE BASE DISPENSER	120	1		4.00	5-20P	MOUNTED ON ITEM #300b
300XR	DOUBLE BARREL ICE CREAM MACHINE	208	3	19.00/15.00		15-30P/15-20P	
305	TEA BREWER	120	1	1.65	13.8	5-15P	PROVIDE QUICK DISCONNECT HOSES
305R	TEA BREWER	120	1	1.65	13.8	5-15P	
308R	SINGLE COFFEE MAKER	208	1	4.0	19.2	L14-30P	
309R	SINGLE LEMONADE BUBBLER	120	1		3.60	5-15P	
310	DOUBLE LEMONADE BUBBLER	120	1		8.50	5-15P	ORDER (1) #3CRA016 BOWL KIT AND (1) #3CRA018 BASE PER BUBBLER AND ORDER TOTAL OF (1) #3CRA021 SET OF (2) 2.4 GAL BOWLS
310R	DOUBLE LEMONADE BUBBLER	120	1		8.50	5-15P	
315W	10-HEAD BEVERAGE DISPENSER WITH ICE BIN	115	1		10.00	5-15P/5-15P	PROVIDED WITH (2) CORDS AND PLUGS PER TOWER
320	TURBO CARBONATOR	115	1		6.2	5-20P	ORDER (8) #44231, (3) #44233, (8) DR. PEPPER PUMPS, & (3) #T5274SN-01
363R	HIGH-TEMP UPRIGHT DISHWASHER	208	3		46.00	DIRECT CONNECTION	
380	ICE MACHINE	115	1	0.600	5.00	5-15P	INSTALLED ON TOP OF ICE BIN - PROVIDED WITH 6 FT CORD AND 35 FT LINE SETS
380a	ICE BIN SANITATION SYSTEM	120	1	0.0096		5-15P	INSTALLED ON WALL ABOVE ICE BIN - SHARES DUPLEX WITH (1) ICE MACHINE
380C	ICE MACHINE REMOTE CONDENSING UNIT	208	3	3.100	14.20	DIRECT CONNECTION	AIR COOLED UNIT - GC SHALL PLACE AND INSTALL CONDENSER ON ROOF - NOT SHOWN ON DRAWINGS
380CR	ICE MACHINE REMOTE CONDENSING UNIT	208	3	3.100	14.20	DIRECT CONNECTION	NOT SHOWN ON DRAWINGS
400R	ICE MACHINE	115	1	0.7	6	5-15P	
400L	REACH-IN FREEZER (30" WIDE)	115	1	1.100	9.40	5-15P	HINGE LEFT - PROVIDE FINISHED BACK - ORDER ON 4 7/16 IN CASTERS
400T	SINGLE UPRIGHT FREEZER (30" WIDE)	115	1	1.100	9.40	L5-15P (BY EC)	HINGE RIGHT - PROVIDE FINISHED BACK - ORDER ON 4 5/8 IN CASTERS - EC TO CHANGE PLUG TO TWIST LOCK
410	WALK-IN FREEZER	120	1		3.3	DIRECT CONNECTION	ORDER WITHOUT FLOOR - REFER TO LIGHTING PLAN
410a	WALK-IN FREEZER CONDENSER	208	3	16.30		DIRECT CONNECTION	GC SHALL INSTALL CONDENSER ON ROOF - NOT SHOWN ON DRAWINGS
410b	WALK-IN FREEZER EVAPORATOR	208	1	1.50		DIRECT CONNECTION	POWER FED FROM CONDENSER
420LR	SINGLE UNDERCOUNTER REFRIGERATOR	115	1	0.564	4.7	5-20P	HINGE LEFT - ORDER ON 4" CASTERS
420R	SINGLE UNDERCOUNTER REFRIGERATOR	115	1	0.564	4.7	5-20P	HINGE RIGHT - ORDER ON 4" CASTERS
421R	DOUBLE UNDERCOUNTER REFRIGERATOR	115	1	0.756	6.3	5-15P	ORDER ON 4" CASTERS
422	REFRIGERATED EQUIPMENT STAND (48")	115	1	0.80	6.70	5-15P	PROVIDED W/9" CORD - ORDER ON 4" CASTERS
431R	DOUBLE REFRIGERATED WORK TABLE	115	1	0.756	6.30	5-15P	ORDER ON 6" CASTERS WITH BACKSPASH TOP
431T	DOUBLE REFRIGERATED WORK TABLE	115	1	0.756	6.30	L5-15P (BY EC)	EC TO CHANGE PLUG TO TWIST LOCK - ORDER ON 6 IN CASTERS WITH BACKSPASH TOP
432T	DOUBLE REFRIGERATED WORK TABLE	115	1	0.756	6.30	L5-20P (BY EC)	EC TO CHANGE PLUG TO TWIST LOCK - ORDER ON 6 IN CASTERS WITH BACKSPASH TOP
440CT	ICE BATH BREADING TABLE	120	1		1.00	L5-15P	EC TO CHANGE PLUG TO TWIST LOCK - 10 FT CORD AND PLUG - LEAF INCLUDED WITH TABLE - INSTALL IF SHOWN ON PLANS
441	SALAD PREP TABLE	120	1		9.0	NEMA 5-15R	PROVIDE WITH TWIST LOCK PLUG; ORDER ON 4" CASTERS WITH PAN PKG.; SESC TO PROVIDE PAN PKG.
442WCL	SINGLE UPRIGHT REFRIGERATOR (60" WIDE)	115	1		7.00	L5-15P (BY EC)	HINGE LEFT - PROVIDE FINISHED BACK - ORDER ON 6 IN CASTERS - EC TO CHANGE PLUG TO TWIST LOCK
444D	DOUBLE THAWING CABINET (52" WIDE)	115	1		16.00	DIRECT CONNECTION	HINGE STANDARD - GC TO INSTALL LIQUID TIGHT FLEX CONDUIT - ORDER ON 6 IN CASTERS
444S	SINGLE THAWING CABINET (32" WIDE)	115	1		16.0	DIRECT CONNECTION	HINGE RIGHT - GC TO INSTALL LIQUID TIGHT FLEX CONDUIT - ORDER ON 6 IN CASTERS
449	WALK-IN COOLER	120	3	2.4		DIRECT CONNECTION	ORDER WITHOUT FLOOR - REFER TO LIGHTING PLAN
449a	WALK-IN COOLER CONDENSER	208	3	9.50		DIRECT CONNECTION	GC SHALL INSTALL CONDENSER ON ROOF - NOT SHOWN ON DRAWINGS
449b	WALK-IN COOLER EVAPORATOR	208	1	1.10	1.00	DIRECT CONNECTION	POWER FED FROM CONDENSER
500AR	VERTICAL CONTACT TOASTER	120	1	1.5	15.0	5-15P	LOCATED ON ITEM #120c - FRANKIE TOASTER TABLE CIRCUITS #1 & #2
500B	RADIANT TOASTER	208	1	5.5	24.0	L6-30P	LOCATED ON ITEM #120c - FRANKIE TOASTER TABLE CIRCUITS #3 & #4 - PROVIDED W/ TWIST LOCK PLUG
503	EGG STATION	208	1	2	12.5	6-20P	
505VT	VECTOR OVEN	208	3	7.50	32.0	L15-30P (BY EC)	HINGE RIGHT - EC TO CHANGE PLUG TO TWIST LOCK
522	OPEN FRYER	208	3	22.0	61.6	PIN&SLEEVE	PIN&SLEEVE PROVIDED WITH EQUIPMENT AND RECEPTACLE BOX PROVIDED WITH HALTON ITEMS
522A	DOUBLE OPEN FRYER	208	3	22.0/22.0	61/61	PIN & SLEEVE	PIN & SLEEVE PROVIDED W/EQUIPMENT & RECEPTACLE BOX PROVIDED W/HALTON ITEMS - (1) POWER CONNECTION PER WELL
523	PRESSURE FRYER	208	3	13.5	38.0	5-50P	PROVIDED WITH 6 FT CORD AND PLUG
523R	PRESSURE FRYER	208	3	13.5	38.0	5-50P	PROVIDED WITH 6 FT CORD AND PLUG
524R	DUAL SIDE CLAMSHHELL GRILL	208	3	3.3	24.1/28.2/23.1	5-50P	
550	DOUBLE WARMING DRAWER	120	1	0.900	7.83	5-15P	ON CASTERS - LOCATED UNDER ITEM #120 - FRANKIE HOT HOLDING TABLE CIRCUITS #2 AND #3
560	FRY HOLDING STATION	120	1	1.90	15.4	5-20P	
560R	FRY HOLDING STATION	120	1	1.90	15.4	5-20P	
563D	DOUBLE TIER SANDWICH SLIDE	120	1	1.09	9.13	5-15P	CORD EXITS RIGHT - 6' CORD AND PLUG
563SL	SINGLE TIER SANDWICH SLIDE	120	1	0.548	4.56	5-15P	CORD EXITS LEFT - 6' CORD AND PLUG
564	VISUAL HOT HOLDING CABINET (2x4)	120	1	1.32	11	5-15P	LOCATED ON ITEM #120a - FRANKIE COLD TABLE CIRCUIT #2 - ORDER WITH LIDS/TRAY SEALS, AMBER PANS, & FALSE BOTTOMS
565CR	FOOD COOKER/WARMER	120	1	1.500	12.50	5-15P	
580	VISUAL HOT HOLDING CABINET (5x4)	120	1	2.88	24	L5-30P	PROVIDE WITH TWIST LOCK PLUG - ORDER WITH LIDS/TRAY SEALS
592	REETHERMALIZER	208	3	8.000	22.00	15-30P	PROVIDE WITH 6 FT CORD AND ANGLE PLUG - WATER SUPPLY TO BE S/S BRAIDED HOSE WITH MALE QUICK CONNECT ADAPTER
600R	MIXER	120	1		8.0	L5-20P	
607R	COUNTER TOP LEMON JUICER	115	1			5-15P	
669	OFFICE SAFE	120	1			5-20P	INSTALL SAFE PER MANUFACTURER'S WRITTEN INSTRUCTIONS
672	DIGITAL MENU BOARD	120	1			5-15P	PROVIDED BY CLARK



CHICK-FIL-A
 Washington RD
 3066 Washington RD
 Augusta, GA 30907

FSR#00825
 BUILDING TYPE / SIZE: P13 SE ALL
 RELEASE: 21.05

REVISION SCHEDULE

NO.	DATE	DESCRIPTION

CONSULTANT PROJECT # 2020.0739
 PRINTED FOR FOR CONSTRUCTION
 DATE 06/24/21
 DRAWN BY MI

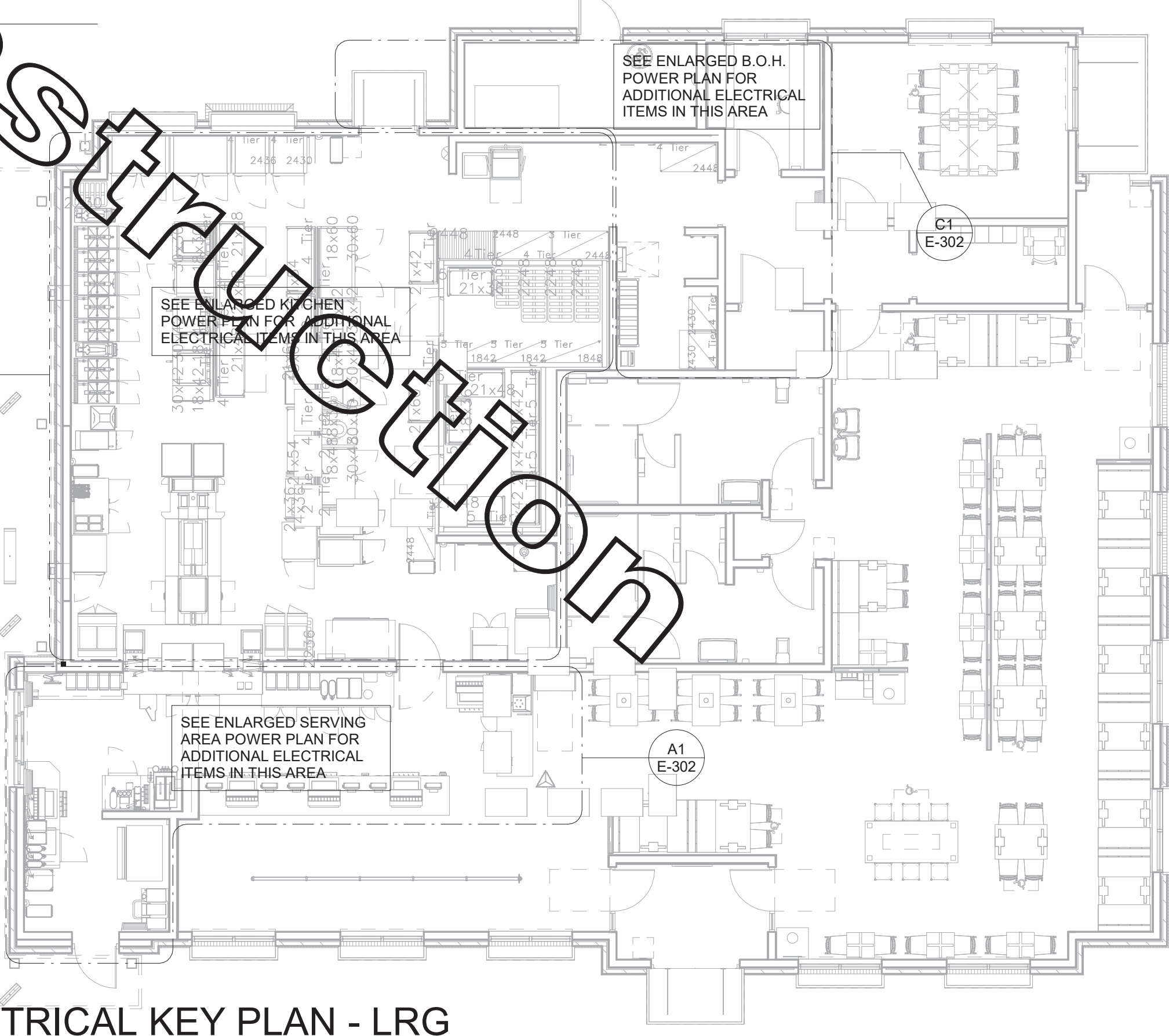
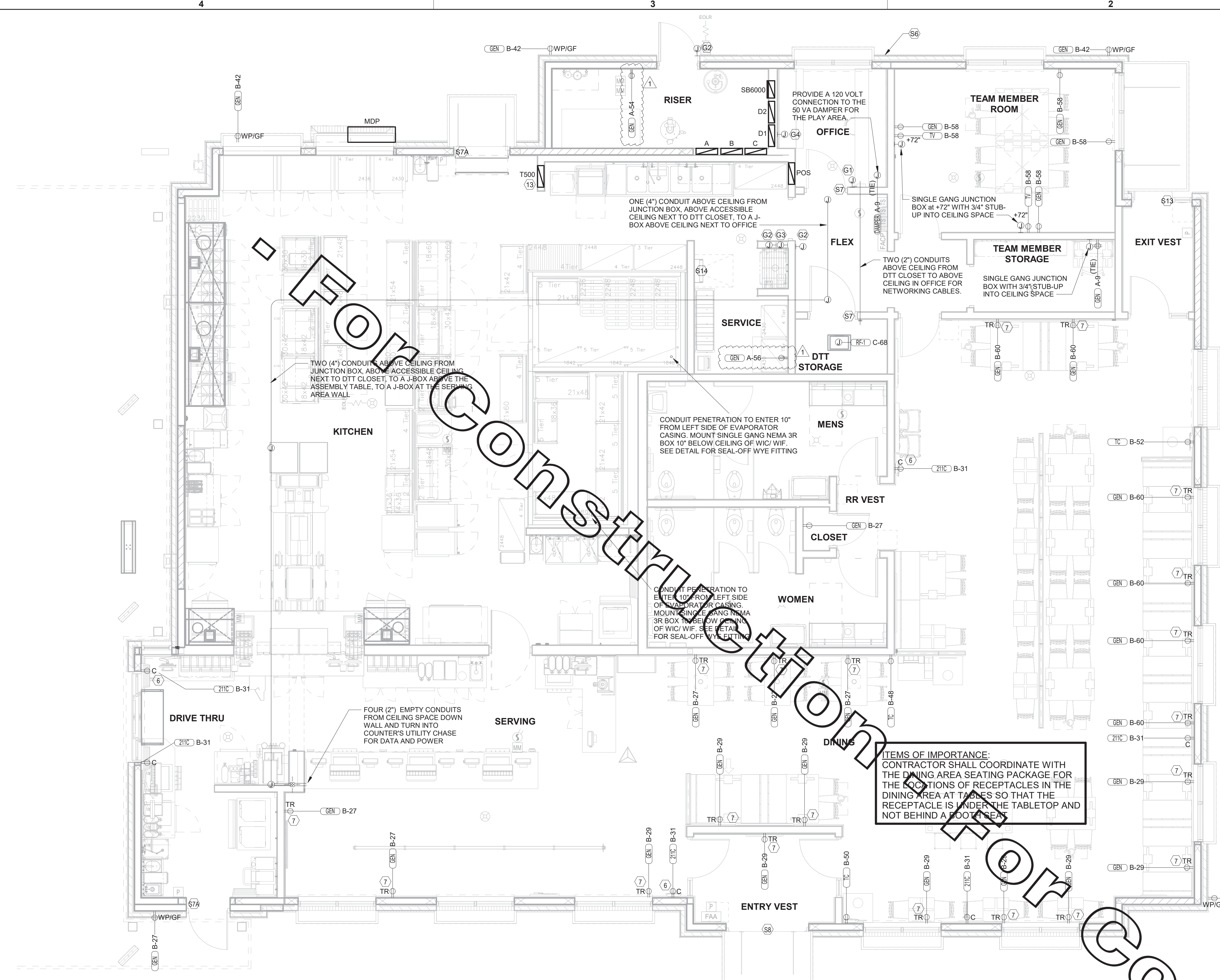
Information contained on this drawing and in all digital files produced for above named project may not be reproduced in any manner without express written or verbal consent from authorized project representatives.

ELECTRICAL SCHEDULES AND DETAILS

SHEET NUMBER **E-002**
 JONLOP - 02/17/2022 3:05:19 PM

FOR CONSTRUCTION

BIM 360/JGA_00825_Washington Road FSU_2021.6_FSR000825_Washington Road FSU_ELE.rvt
 2/17/2022 1:27:56 PM
 50-SE-00825-E-221L-POWER AND SYSTEMS PLAN



- ### POWER PLAN KEYNOTES
- 6 PROVIDE DUPLEX RECEPTACLE (SEE ELEVATIONS FOR MTG HT) IN AN ARLINGTON #DFR2W DOUBLE-GANG RECESSED BOX FOR THE FLYLIGHT SYSTEM ITEMS. DO NOT CUT THE CORDSET FURNISHED WITH THE UNIT, BUT COIL THE CORD ON THE BACK OF THE UNIT AND TUCK INTO THE BACKBOX.
 - 7 TAMPER RESISTANT (TR) DUPLEX RECEPTACLE (IN DINING AREAS) WITH USB CHARGER SHALL BE COOPER/ARROW HART #TR756-B (BROWN) WITH MATCHING COLOR 'DECOR' STYLE PLATE. VERIFY COLOR WITH OWNER.
 - 13 THE STORE OPEN-CLOSE UNIT SWITCH IS FURNISHED WITH THE CFA-T500 CONTROL PANEL AND FACTORY INSTALLED IN THE DOOR OF THE CFA-T500 CABINET.
- ### SECURITY KEYNOTES
- S6 PROVIDE A 1/2" CONDUIT THRU THE EXTERIOR WALL AND STUBBED INTO THE ACCESSIBLE CEILING SPACE FOR THE EXTERIOR WALL MOUNTED AUDIO-VISUAL ALARM NOTIFICATION DEVICE. VERIFY LOCATION WITH THE EXTERIOR ELEVATIONS AND WITH THE SECURITY INSTALLER - TYPICALLY TO BE LOCATED NEAR THE FIRE PROTECTION SYSTEMS EXTERIOR ALARM UNIT AND VISIBLE FROM THE STREET.
 - S7 EXTEND 1/2" RIGID CONDUIT FROM TOP OF STRIKE-SIDE DOOR FRAME CHANNEL TO ABOVE ACCESSIBLE CEILING.
 - S7A EXTEND 3/4" RIGID CONDUIT FROM TOP OF STRIKE-SIDE DOOR FRAME CHANNEL TO ABOVE ACCESSIBLE CEILING.
 - S8 EXTEND 1/2" CONDUIT FROM A POINT 3" WITHIN EITHER HINGE-SIDE DOOR VERTICAL FRAME MULLION TO ABOVE ACCESSIBLE CEILING.
 - S13 EXTEND 1/2" CONDUIT FROM A POINT 3" INSIDE THE STRIKE-SIDE DOOR FRAME MULLION TO ABOVE ACCESSIBLE CEILING.
 - S14 PROVIDE JUNCTION BOX ON THE LATCH SIDE OF THE ROOF ACCESS HATCH WITH 1/2" CONDUIT ABOVE THE CEILING TO AN ACCESSIBLE CEILING SPACE FOR A DOOR CONTACT.
- ### CO2 DETECTOR NOTES
- G1 CO2 CENTRAL CONTROL UNIT - PROVIDE SINGLE-GANG BACKBOX AT 60" AFF WITH 3/4" CONDUIT STUBBED ABOVE ACCESSIBLE CEILING SPACE
 - G2 CO2 ANNUNCIATOR UNIT - PROVIDE SINGLE-GANG BACKBOX AT 60" AFF WITH 3/4" CONDUIT STUBBED ABOVE ACCESSIBLE CEILING SPACE
 - G3 CO2 SENSOR UNIT - PROVIDE SINGLE-GANG BACKBOX AT 12" AFF WITH 3/4" CONDUIT STUBBED ABOVE ACCESSIBLE CEILING SPACE
 - G4 CO2 POWER SUPPLY - PROVIDE SINGLE-GANG BACKBOX AT 18" BELOW CEILING WITH 3/4" CONDUIT STUBBED ABOVE ACCESSIBLE CEILING SPACE. PROVIDE DUPLEX OUTLET, AND CONNECT TO A LOCAL GENERAL OUTLET CIRCUIT. FIELD VERIFY EXACT LOCATION WITH STRONG SYSTEMS 800-500-5566
- ### POWER PLAN GENERAL NOTES
1. ALL SECURITY, POS, MUSIC, COMMUNICATIONS, AND POWER ROUGH-IN SHALL BE INSTALLED DURING THE FRAMING/ROUGH-IN PHASE OF CONSTRUCTION.
 2. REFER TO KITCHEN EQUIPMENT SHEETS FOR EQUIPMENT ELECTRICAL ROUGH-IN ELEVATIONS ABOVE FINISHED FLOOR.
 3. ALL EMPTY CONDUITS SHALL BE PROVIDED WITH PULL STRING.
 4. PROVIDE INSULATED BUSHING AT TERMINATION POINTS OF ALL CONDUITS FOR LOW VOLTAGE WIRING.
 5. THE ELECTRICAL INSTALLER SHALL COORDINATE THE ROUTING OF ALL CONDUIT IN THE BUILDING WITH OTHER TRADES (SPECIFICALLY THE DUCTWORK INSTALLATION) TO AVOID CONFLICTS OF SPACE REQUIREMENTS IN WALLS AND CEILING SPACES.



Chick-fil-A
 5200 Buffington Road
 Atlanta, Georgia
 30349-2998

INTERPLAN
 INTERPLAN LLC
 AR0011595
 CA 8660
 ARCHITECTURE
 ENGINEERING
 PERMITTING

220 E. CENTRAL PKWY, STE 4000
 ALTAMONTE SPRINGS, FL 32701
 407.645.5008



CHICK-FIL-A
 Washington RD
 3066 Washington RD
 Augusta, GA 30907

FSR#00825
 BUILDING TYPE / SIZE: P13 SE LRG
 RELEASE: 21.05

REVISION SCHEDULE		
NO.	DATE	DESCRIPTION
1	09.09.21	OPERATOR COMMENTS

FOR CONSTRUCTION

CONSULTANT PROJECT # 2020.0739
 PRINTED FOR FOR CONSTRUCTION
 DATE 06/24/21
 DRAWN BY MI

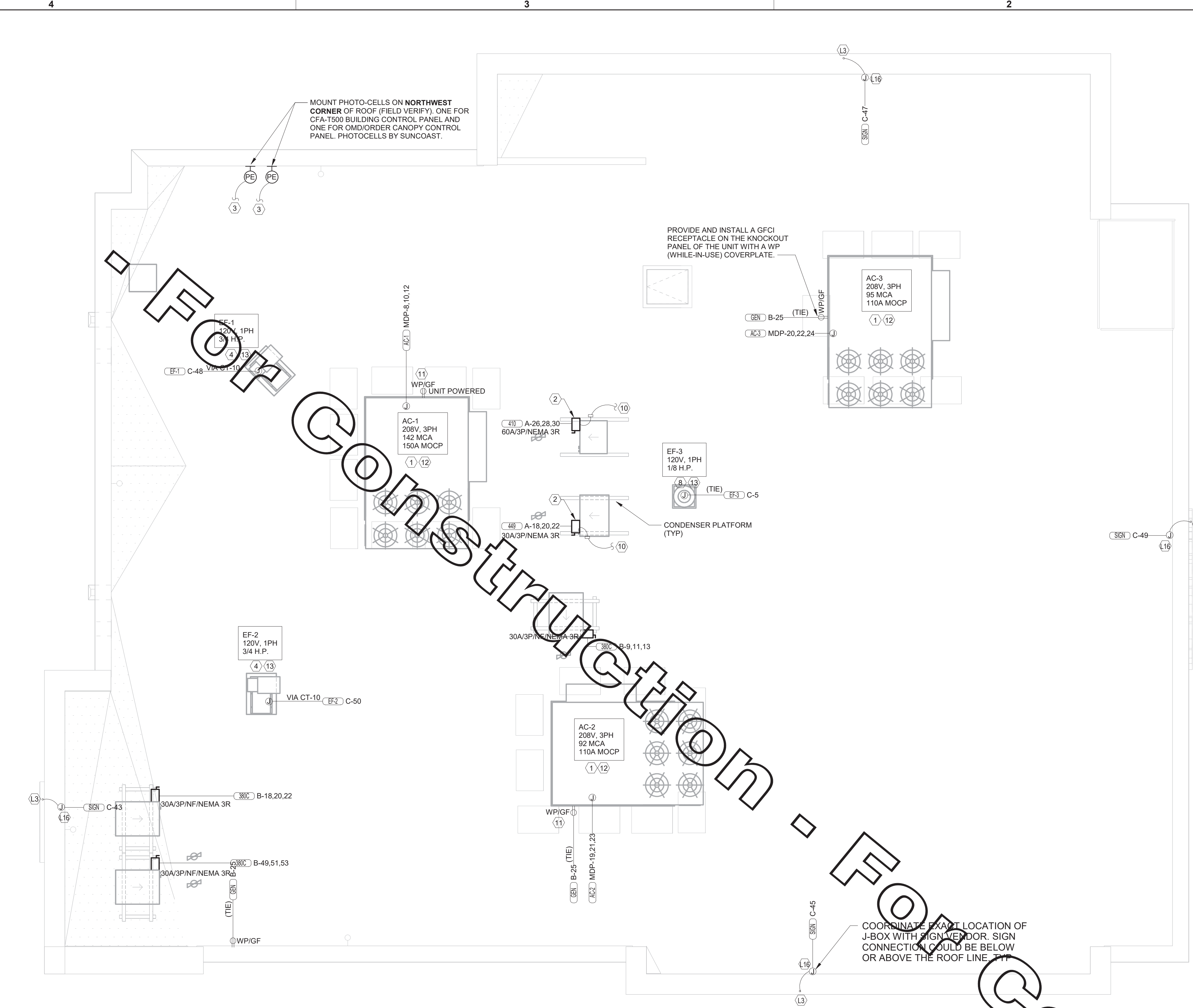
Information contained on this drawing and in all digital files produced for above named project may not be reproduced in any manner without express written or verbal consent from authorized project representatives.

SHEET POWER AND SYSTEMS PLAN

SHEET NUMBER

E-221L
 JONLCP - 02/17/2022 3:03:59 PM

COPYRIGHT © 2020 INTERPLAN LLC. RESERVES COPYRIGHT & OTHER RIGHTS RESTRICTING THESE DOCUMENTS TO THE ORIGINAL SITE OR PURPOSE FOR WHICH THEY WERE PREPARED. REPRODUCTIONS, REPRODUCTIONS OR ASSIGNMENTS ARE PROHIBITED.



B1 ROOF POWER PLAN - LRG
 1/4" = 1'-0"

NOTE: REFER TO MECHANICAL DRAWINGS FOR ROOFTOP PACKAGED AC UNIT SCHEDULE. ALL UNITS ARE FURNISHED WITH FACTORY INSTALLED DISCONNECT SWITCH. REFER TO SAME SCHEDULE FOR INDICATION OF UNITS FURNISHED WITH FACTORY RECEPTACLE FOR COMPLIANCE WITH NEC 210-63.

LIGHTING PLAN KEYNOTES

- (L3) FOR SIGNAGE BY OTHERS; CONNECT AS REQUIRED. GROUND ALL LOCATIONS IN ACCORDANCE WITH NEC AND MANUFACTURER'S REQUIREMENTS. SIGN IS FURNISHED WITH AN INTEGRAL PRE-WIRED DISCONNECTING MEANS.
- (L16) ROUTE THROUGH CONTROL PANEL CFA-T500 AND CONTROLLED BY OCCUPIED SWITCH AND PHOTOCELL.

ROOF POWER KEYNOTES

- (1) ROUTE ELECTRICAL CONDUITS TO UNIT CONNECTIONS THROUGH WEATHERPROOF RACEWAY FURNISHED WITH UNIT. COORDINATE WITH MECHANICAL CONTRACTOR FOR EXACT LOCATIONS.
- (2) MOUNT WEATHER-PROOF FUSED DISCONNECT SWITCHES FOR WIC AND WIF CONDENSERS ON UNISTRUT WITH CONDUIT DOWN INTO CEILING SPACE BELOW THRU ROOF PENETRATION DEVICE (NOT THRU ROOF). SEE THE ARCHITECTURAL ROOF PENETRATION DETAIL(S) FOR FURTHER INFORMATION. PROVIDE FUSE SIZE PER MANUFACTURER REQUIREMENTS.
- (3) CONNECT ONE PHOTOCELL ON ROOF TO THE CFA-T500 CONTROL PANEL TERMINALS AND ONE PHOTOCELL ON ROOF TO THE ORDER/OMD CANOPY CONTROL PANEL AS DIRECTED BY SUNCOAST ENVIRONMENTAL INC WIRING DIAGRAMS. PHOTOCELLS ON THE ROOF FURNISHED WITH CONTROL PANELS ORDER (SUNCOAST) AND INSTALLED BY CONTRACTOR.
- (4) COORDINATE EXACT LOCATION OF CONDUIT AND DISCONNECT AT EXHAUST FAN. CONDUIT SHALL BE INSTALLED THROUGH ROOF ON OUTSIDE OF FAN CURB. CONDUIT SHALL BE LOCATED AT FAN HINGE SUCH THAT THE FAN HOOD CAN BE FULLY HINGED OPEN AND NOT TOUCH THE CONDUIT. PROVIDE 1/4" DIAMETER LOOP IN THE FLEXIBLE CONDUIT BETWEEN THE ROOF AND THE FAN ELECTRICAL CONNECTION.
- (8) COORDINATE EXACT LOCATION OF CONDUIT AND DISCONNECT AT EXHAUST FAN. CONDUIT SHALL BE INSTALLED WITH DUCTWORK WITHIN FAN ROOF CURB AND TO THE FAN WIREWAY. PROVIDE SEALTIGHT FITTINGS AS THE CONDUIT ENTERS AND LEAVES THE DUCTWORK. INTERLOCK WITH LIGHTING CIRCUIT IN RESTROOM. REFER TO THE LIGHTING PLAN FOR CONTINUATION.
- (9) NOT USED
- (10) CONNECT POWER FROM EACH CONDENSING UNIT'S COMPRESSOR CONTACTOR TO THE EVAPORATOR COIL UNIT'S JUNCTION BOX BELOW. REFER TO ENLARGED KITCHEN POWER PLAN FOR LOCATION.
- (11) CONVENIENCE RECEPTACLE PROVIDED PRE-INSTALLED IN HVAC UNIT. CONNECT TO 120 VOLT CIRCUIT AS REQUIRED AND/OR AS INDICATED. (NOTE THAT ONE UNIT WILL NOT BE FURNISHED WITH AN INTEGRAL PRE-INSTALLED RECEPTACLE OUTLET. CONTRACTOR SHALL PROVIDE A GFCI TYPE 20 AMP RECEPTACLE WITH IN-USE WP COVERPLATE MOUNTED TO THE OUTSIDE OF THE ROOFTOP AC UNIT.)
- (12) A/C UNIT DISCONNECT IS FURNISHED WITH A/C UNIT AND SHALL BE CONNECTED BY THE CONTRACTOR.
- (13) EXHAUST FAN IS FURNISHED WITH A PREWIRED DISCONNECT.

POWER PLAN GENERAL NOTES

- 1. ALL SECURITY, POS, MUSIC, COMMUNICATIONS, AND POWER ROUGH-IN SHALL BE INSTALLED DURING THE FRAMING/ROUGH-IN PHASE OF CONSTRUCTION.
- 2. REFER TO KITCHEN EQUIPMENT SHEETS FOR EQUIPMENT ELECTRICAL ROUGH-IN ELEVATIONS ABOVE FINISHED FLOOR.
- 3. ALL EMPTY CONDUITS SHALL BE PROVIDED WITH PULL STRING.
- 4. PROVIDE INSULATED BUSHING AT TERMINATION POINTS OF ALL CONDUITS FOR LOW VOLTAGE WIRING.
- 5. THE ELECTRICAL INSTALLER SHALL COORDINATE THE ROUTING OF ALL CONDUIT IN THE BUILDING WITH OTHER TRADES (SPECIFICALLY THE DUCTWORK INSTALLATION) TO AVOID CONFLICTS OF SPACE REQUIREMENTS IN WALLS AND CEILING SPACES.



Chick-fil-A
 5200 Buffington Road
 Atlanta, Georgia
 30349-2998

INTERPLAN

INTERPLAN LLC
 A80011595
 CA 8660

ARCHITECTURE ENGINEERING PERMITTING

220 E. CENTRAL PKWY, STE 4000
 ALTAMONTE SPRINGS, FL 32701
 407.645.5008

SEAL:



CHICK-FIL-A
 Washington RD

3066 Washington RD
 Augusta, GA 30907

FSR#00825
 BUILDING TYPE / SIZE: P13 SE LRG
 RELEASE: 21.05

REVISION SCHEDULE		
NO.	DATE	DESCRIPTION

CONSULTANT PROJECT #	2020.0739
PRINTED FOR	FOR CONSTRUCTION
DATE	06/24/21
DRAWN BY	MI

Information contained on this drawing and in all digital files produced for above named project may not be reproduced in any manner without express written or verbal consent from authorized project representatives.

SHEET: ROOF POWER PLAN

SHEET NUMBER: **E-250L**

JONLOP - 02/17/2022 3:03:40 PM

FOR CONSTRUCTION

COPYRIGHT © 2020 INTERPLAN LLC. RESERVES COPYRIGHT & OTHER RIGHTS RESTRICTING THESE DOCUMENTS TO THE ORIGINAL SITE OR PURPOSE FOR WHICH THEY WERE PREPARED. REPRODUCTIONS, REPRODUCTIONS OR ASSIGNMENTS ARE PROHIBITED.

POWER PLAN KEYNOTES

- 2 PROVIDE EDWARDS #340-4N5 VIBRATING 4" DIAMETER BELL. THE BELL SHALL BE RATED AT 120 VOLTS.
- 3 PROVIDE A 120 VOLT WEATHERPROOF DOORBELL PUSHBUTTON AT DOOR. PUSHBUTTON SHALL BE FLUSH MOUNTED. PROVIDE DORTRONICS SYSTEMS #W5286-P25 CLEAR ANODIZED ALUMINUM PUSHBUTTON WITH SINGLE GANG SWITCH PLATE.
- 4 TWO 2" TELEPHONE SERVICE ENTRANCE CONDUIT(S). EXTEND WITH PULL STRING FROM TELEPHONE SERVICE J-BOX TO THE UTILITY SOURCE. REFER TO THE ELECTRICAL SITE PLAN FOR ADDITIONAL INFORMATION.
- 6 PROVIDE DUPLEX RECEPTACLE (SEE ELEVATIONS FOR MTG HT) IN AN ARLINGTON #DVFR2W DOUBLE-GANG RECESSED BOX FOR THE FLY SYSTEM ITEMS. DO NOT CUT THE CORDSET FURNISHED WITH THE UNIT, BUT COIL THE CORD ON THE BACK OF THE UNIT AND TUCK INTO THE BACKBOX.
- 8 SB6000 PANEL ENCLOSURE WITH 3 LITTLEFUSE SHOCK BLOCK GFCI PROTECTION DEVICES. ENSURE CONDUITS ARE INSTALLED FOR LINE AND LOAD WIRES TO BE INSTALLED WITH PROPER WIRE BENDING SPACE. LABEL EACH SHOCK BLOCK WITH PANEL AND CIRCUIT NUMBER IT CONTROLS.
- 9 ONE 3" ISP SERVICE CONDUIT. EXTEND WITH PULL STRING FROM J-BOX TO SUPPLIER'S SOURCE, REFER TO ELECTRICAL SITE PLAN FOR ADDITION INFORMATION.
- 11 PROVIDE TWO 6" H X 6" W X 4" D J-BOXES (ONE FOR TELEPHONE AND ONE FOR ISP) AT 6'-6" AFF AND EXTEND A 2" CONDUIT WITH PULL STRING IN THE WALL FROM EACH J-BOX INTO THE ACCESSIBLE CEILING SPACE. PROVIDE A 36" X 36" X 3/4" PLYWOOD BACKBOARD ON THE WALL ABOVE THE J-BOXES (AT THE CEILING) FOR USE BY THE ISP. PROVIDE A COPPER GROUND BAR (EQUAL TO ERICO TGBA2214P) AT THE BOTTOM OF THE BACKBOARD WITH A #6 AWG INSULATED CU GROUNDING CONDUCTOR IN A 3/4" C FROM THE GROUND BAR TO THE INTER SYSTEM BONDING TERMINATION NEXT TO THE SERVICE ENTRANCE. THE GROUND BAR SHALL HAVE TAPS FOR USE BY THE TELEPHONE AND ISP UTILITY COMPANIES AND FOR THE #6 COMMUNICATIONS GROUNDING CONDUCTOR TO THE GES. PROVIDE A 15 AMP ISOLATED GROUND (IG) ORANGE-FACED DUPLEX RECEPTACLE IN THE WALL BESIDE THE BACKBOARD AND LABEL THE RECEPTACLE *FOR FIBER TO CABLE MODEM USE ONLY. BOND NETWORK RACKS TO GROUND BAR.
- 12 PROVIDE JUNCTION BOX AT 8'-0" AFF WITH CONDUIT AND CONDUCTORS TO PANEL BOARD FOR FUTURE CONNECTION TO BOOSTER PUMP. REFER TO PLUMBING DRAWINGS FOR ADDITIONAL INFORMATION.

SECURITY KEYNOTES

- S1 PROVIDE SINGLE GANG JUNCTION BOX AND STAINLESS STEEL COVER PLATE WITH 7/8" HOLE IN CENTER. EXTEND 1" CONDUIT UP IN WALL TO ABOVE ACCESSIBLE CEILING.
- S2 PROVIDE 4" W X 4" H X 3" D FLUSH JUNCTION BOX WITHOUT A COVERPLATE. EXTEND 2" CONDUIT UP TO ABOVE ACCESSIBLE OFFICE CEILING AREA AND PROVIDE BUSHING ON CONDUIT.
- S3 PROVIDE A SINGLE-GANG JUNCTION BOX WITH A 1.5" CONDUIT STUBBED UP INTO ACCESSIBLE CEILING SPACE WITH A BUSHING ON THE CONDUIT END FOR THE CCTV MONITOR AND DVR LOCATION.
- S5 PROVIDE SINGLE GANG BOX WITHOUT COVER PLATE. EXTEND 1/2" CONDUIT UP IN WALL TO ABOVE ACCESSIBLE CEILING.
- S10 PROVIDE SINGLE GANG JUNCTION BOX WITH STAINLESS STEEL COVER PLATE MOUNTED ABOVE THE CEILING SPACE AND ABOVE ON THE INTERIOR SIDE OF THE REAR DOOR. ROUTE 1" CONDUIT FROM THE BOX TO THE 'S12' BOX NOTED BELOW.
- S11 EXTEND 1/2" CONDUIT FROM WINDOW'S FRAME MULLION (RIGHT SIDE) TO ABOVE ACCESSIBLE CEILING.
- S12 PROVIDE SINGLE GANG, WEATHER-PROOF JUNCTION BOX WITH STAINLESS STEEL COVER PLATE MOUNTED ABOVE THE REAR DOOR ON THE EXTERIOR WALL. ROUTE 1" CONDUIT FROM THE BOX AND INTO THE BUILDING AND TERMINATE CONDUIT IN THE BOX NOTED IN 'S10' ABOVE.

COMMUNICATIONS KEYNOTES

- C2 PROVIDE JUNCTION BOX, LESS COVER PLATE, AND EXTEND 1-1/2" CONDUIT UP IN WALL TO ABOVE CEILING FOR INSTALLATION OF WIRELESS COMMUNICATION CONTROL UNIT.
- C4 PROVIDE SINGLE-GANG JUNCTION BOX WITH A 1" EMPTY CONDUIT STUBBED UP INTO THE ACCESSIBLE CEILING SPACE FOR OWNER'S VOIP PHONE JACK AND CABLES.
- C5 PROVIDE SINGLE-GANG JUNCTION BOX WITH A 3/4" EMPTY CONDUIT STUBBED UP INTO THE ACCESSIBLE CEILING SPACE FOR FUTURE MENU BOARD CABLES.

MUSIC KEYNOTES

- M1 PROVIDE JUNCTION BOX WITH STAINLESS STEEL COVER PLATE AND 3/4" HOLE IN PLATE WITH GROMMET ON HOLE IN PLATE. EXTEND 3/4" CONDUIT UP IN WALL TO ABOVE CEILING FOR MUSIC SYSTEM.
- M3 THREE SINGLE GANG EXTRA DEEP J-BOXES STACKED WITH A 1/2" CONDUIT FROM EACH TO THE TOP J-BOX BOX AND A 1" CONDUIT STUBBED INTO THE CEILING SPACE FOR MUSIC SYSTEM VOLUME CONTROLS PROVIDED BY OWNER'S VENDOR.
- M4 PROVIDE A SINGLE GANG EXTRA DEEP JUNCTION BOX AT 74" AFF WITH 1/2" CONDUIT STUBBED INTO THE CEILING SPACE FOR MUSIC SYSTEM VOLUME CONTROLS.

POS DATA KEYNOTES

- R1 PROVIDE A 'RETROFIT' SINGLE GANG RING (CARLON #SC100RR) FOR OWNER'S DEVICE PLATE WITH A 1" EMPTY CONDUIT AT THE OPENING STUBBED UP INTO THE CEILING SPACE FOR OWNER'S DATA CABLES.
- R2 PROVIDE SINGLE-GANG JUNCTION BOX WITH A 1" CONDUIT EXTENDING UP INTO THE CEILING SPACE FOR POS MONITOR(S). COVER PLATE PROVIDED BY OWNER'S POS SYSTEM VENDOR.
- R3 PROVIDE A 2" CONDUIT FROM FACE OF WALL AND EXTEND CONDUIT TO JUNCTION BOX IN CELING SPACE ABOVE SERVING AREA. CONDUIT SHALL TERMINATE FLUSH WITH FACE OF WALL BELOW COUNTER. CUSTOM STAINLESS STEEL COVER PLATE IN WALL WITH GROMMET ON 2" DIAMETER HOLE AT CONDUIT TERMINATION IN WALL.
- R4 PROVIDE A 'RETROFIT' SINGLE GANG RING (CARLON #SC100RR) FOR OWNER'S DEVICE PLATE WITH A 1" EMPTY CONDUIT AT THE OPENING STUBBED UP INTO THE CEILING SPACE FOR OWNER'S DATA CABLES.
- R5 PROVIDE SINGLE-GANG JUNCTION BOX WITH A 1" CONDUIT EXTENDING UP INTO THE CEILING SPACE FOR POS TERMINAL. POS SYSTEM SUPPLIER WILL PROVIDE COVER PLATE ON BOX.
- R6 PROVIDE SINGLE-GANG EXTRA DEEP JUNCTION BOX MOUNTED ON THE MOUNTING PLATE WITHIN THE FRONT SERVING COUNTER CASEWORK. MOUNT BOX ADJACENT TO THE RECEPTACLE FOR EQUIPMENT 180. DO NOT MOUNT BOX BETWEEN EQUIPMENT 180 AND EQUIPMENT 182 RECEPTACLES.

ENLARGED POWER PLAN KEYNOTES

- E6 SEE THE ROOF ELECTRICAL PLAN FOR THE LOCATION OF THE ICE MAKER CONDENSERS AND ANY ADDITIONAL REQUIREMENTS.
- E13 JUNCTION BOX ABOVE CEILING FOR AD-1 AT THE DRIVE-THRU WINDOW.

POS POWER KEYNOTES

- P1 PROVIDE ORANGE ISOLATED GROUND (IG) DUPLEX RECEPTACLE.
- P2 PROVIDE GROUND FAULT PROTECTION FOR THESE DEVICES VIA A GROUND FAULT CIRCUIT BREAKER IF LOCAL CODE DEFINES THIS A FOOD PREPARATION AREA.
- P3 USE TYPE MC CABLE FOR THE ISOLATED GROUND CIRCUIT: #12 HOT, NEUTRAL, GREEN GROUND, STRIPED ISOLATED GROUND. EACH 15 AMP HOMERUN SHALL BE DEDICATED TO A CIRCUIT BREAKER VIA DEDICATED CONDUCTORS WITHIN A CABLE ASSEMBLY. ALL MC CABLES SHALL BE RUN OVERHEAD ABOVE THE CEILING AND RACKED TOGETHER ON J-HOOKS. NO SPLICES IN ANY HOMERUN CABLES FROM FIRST RECEPTACLE TO BREAKER.
- P4 THE RECEPTACLE BACKBOX AND SYSTEM CABLE JUNCTION BOX FOR ITEMS 180 AND 182 SHALL BE TURNED HORIZONTAL. REFER TO THE KITCHEN EQUIPMENT ROUGH-IN ELEVATIONS FOR ADDITIONAL INFORMATION.

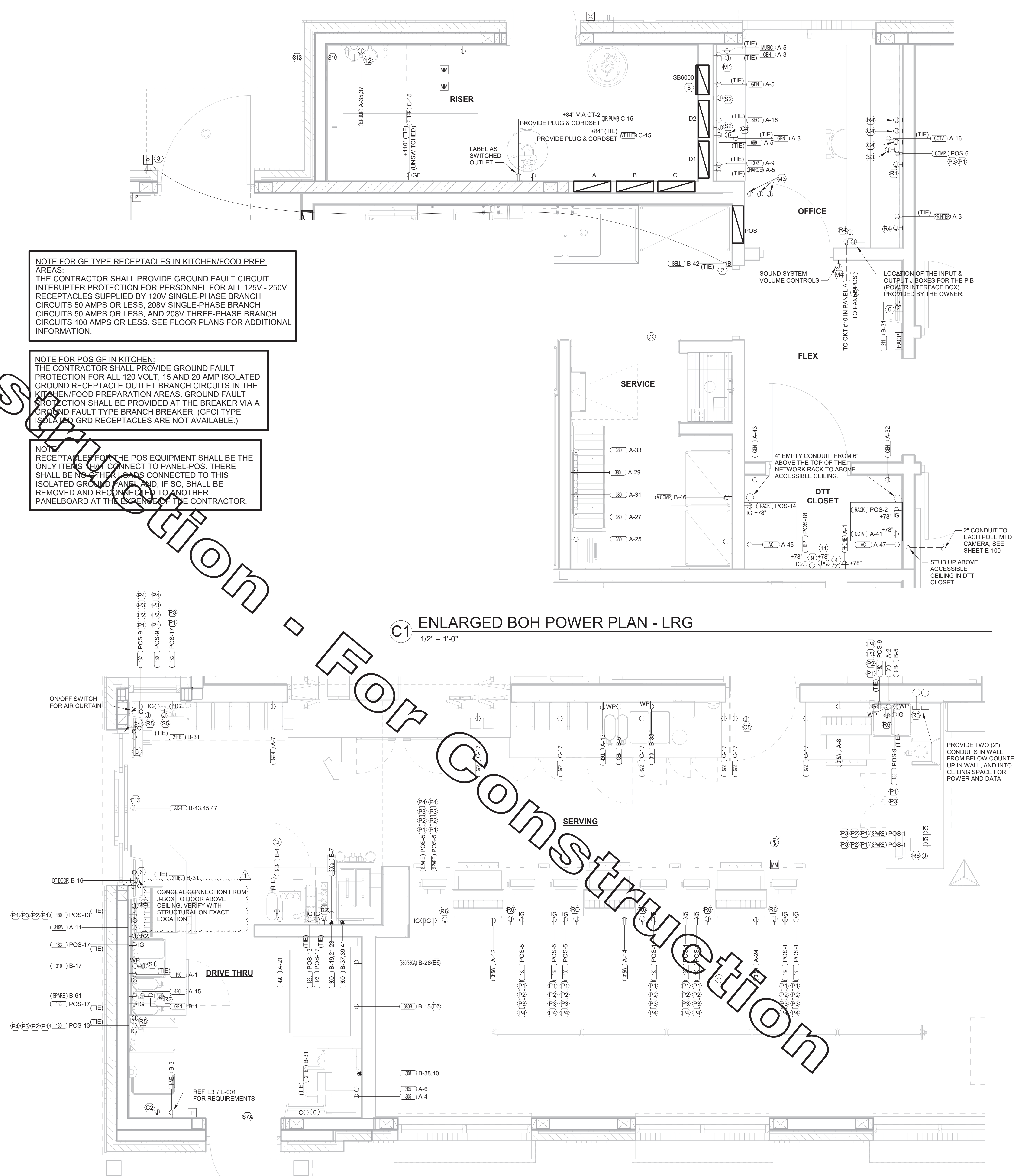
POWER PLAN GENERAL NOTES

1. ALL SECURITY, POS, MUSIC, COMMUNICATIONS, AND POWER ROUGH-IN SHALL BE INSTALLED DURING THE FRAMING/ROUGH-IN PHASE OF CONSTRUCTION.
2. REFER TO KITCHEN EQUIPMENT SHEETS FOR EQUIPMENT ELECTRICAL ROUGH-IN ELEVATIONS ABOVE FINISHED FLOOR.
3. ALL EMPTY CONDUITS SHALL BE PROVIDED WITH PULL STRING.
4. PROVIDE INSULATED BUSHING AT TERMINATION POINTS OF ALL CONDUITS FOR LOW VOLTAGE WIRING.
5. THE ELECTRICAL INSTALLER SHALL COORDINATE THE ROUTING OF ALL CONDUIT IN THE BUILDING WITH OTHER TRADES (SPECIFICALLY THE DUCTWORK INSTALLATION) TO AVOID CONFLICTS OF SPACE REQUIREMENTS IN WALLS AND CEILING SPACES.

NOTE FOR GF TYPE RECEPTACLES IN KITCHEN/FOOD PREP AREAS:
THE CONTRACTOR SHALL PROVIDE GROUND FAULT CIRCUIT INTERRUPTER PROTECTION FOR PERSONNEL FOR ALL 125V - 250V RECEPTACLES SUPPLIED BY 120V SINGLE-PHASE BRANCH CIRCUITS 50 AMPS OR LESS, 208V SINGLE-PHASE BRANCH CIRCUITS 50 AMPS OR LESS, AND 208V THREE-PHASE BRANCH CIRCUITS 100 AMPS OR LESS. SEE FLOOR PLANS FOR ADDITIONAL INFORMATION.

NOTE FOR POS GF IN KITCHEN:
THE CONTRACTOR SHALL PROVIDE GROUND FAULT PROTECTION FOR ALL 120 VOLT, 15 AND 20 AMP ISOLATED GROUND RECEPTACLE OUTLET BRANCH CIRCUITS IN THE KITCHEN/FOOD PREPARATION AREAS. GROUND FAULT PROTECTION SHALL BE PROVIDED AT THE BREAKER VIA A GROUND FAULT TYPE BRANCH BREAKER. (GFCI TYPE ISOLATED GRD RECEPTACLES ARE NOT AVAILABLE.)

NOTE:
RECEPTACLES FOR THE POS EQUIPMENT SHALL BE THE ONLY ITEMS THAT CONNECT TO PANEL-POS. THERE SHALL BE NO OTHER LOADS CONNECTED TO THIS ISOLATED GROUND PANEL AND, IF SO, SHALL BE REMOVED AND RECONNECTED TO ANOTHER PANELBOARD AT THE EXPENSE OF THE CONTRACTOR.



A1 ENLARGED SERVING AREA POWER PLAN - LRG
1/2" = 1'-0"

C1 ENLARGED BOH POWER PLAN - LRG
1/2" = 1'-0"



Chick-fil-A

5200 Buffington Road
Atlanta, Georgia
30349-2998

INTERPLAN
INTERPLAN LLC
AR0011595
CA 8660

ARCHITECTURE
ENGINEERING
PERMITTING

220 E. CENTRAL PKWY, STE 4000
ALAMONTA SPRINGS, FL 32701
407.645.5008

SEAL:



CHICK-FIL-A
Washington RD
3066 Washington RD
Augusta, GA 30907

FSR#00825
BUILDING TYPE / SIZE: P13 SE LRG
RELEASE: 21.05

REVISION SCHEDULE

NO.	DATE	DESCRIPTION
1	09.09.21	OPERATOR COMMENTS

CONSULTANT PROJECT # 2020.0739
PRINTED FOR FOR CONSTRUCTION
DATE 06/24/21
DRAWN BY MI

Information contained on this drawing and in all digital files produced for above named project may not be reproduced in any manner without express written or verbal consent from authorized project representatives.
SHEET ENLARGED SERVING AND BOH POWER PLAN

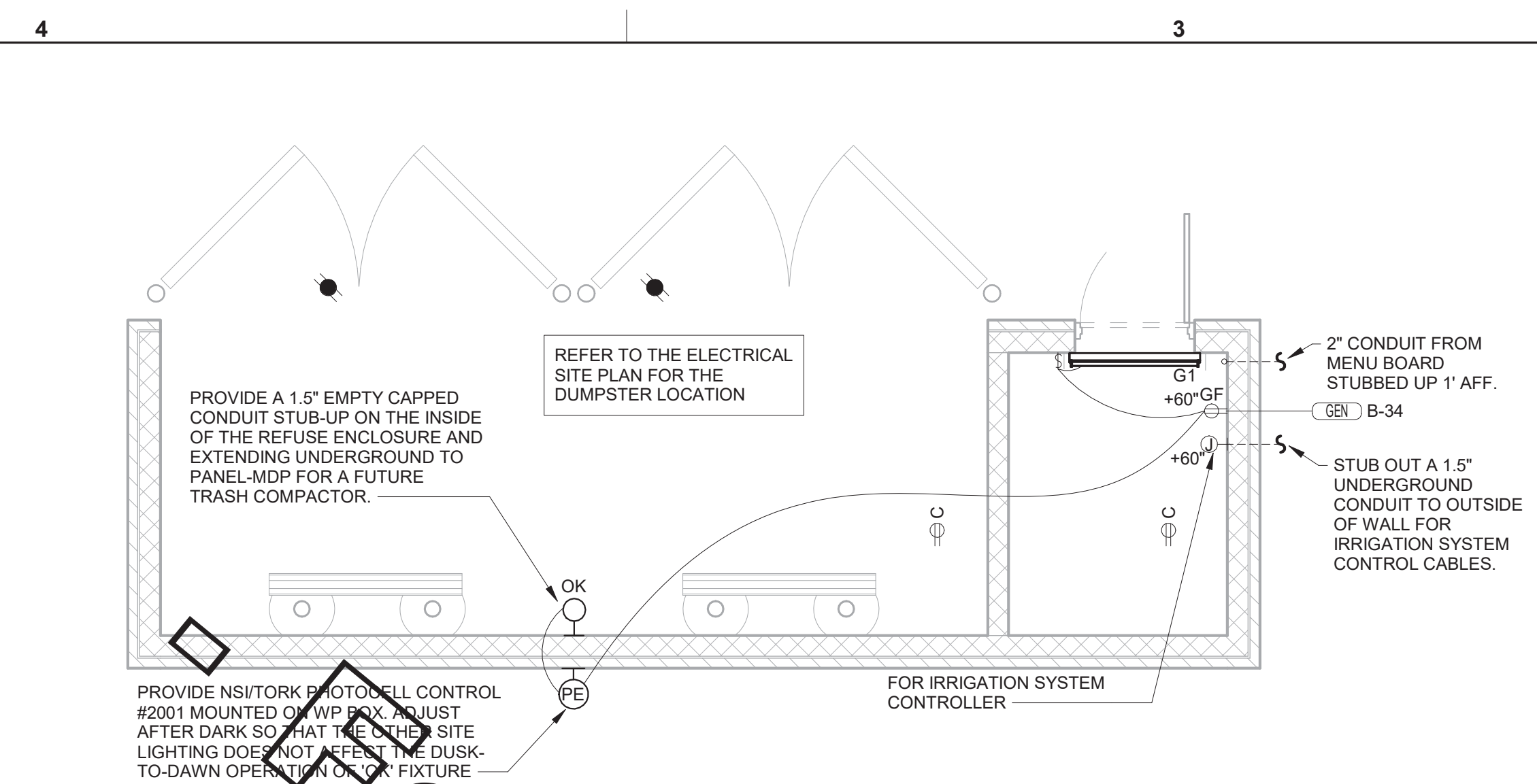
SHEET NUMBER **E-302**

JONLOP - 02/17/2022 3:03:23 PM

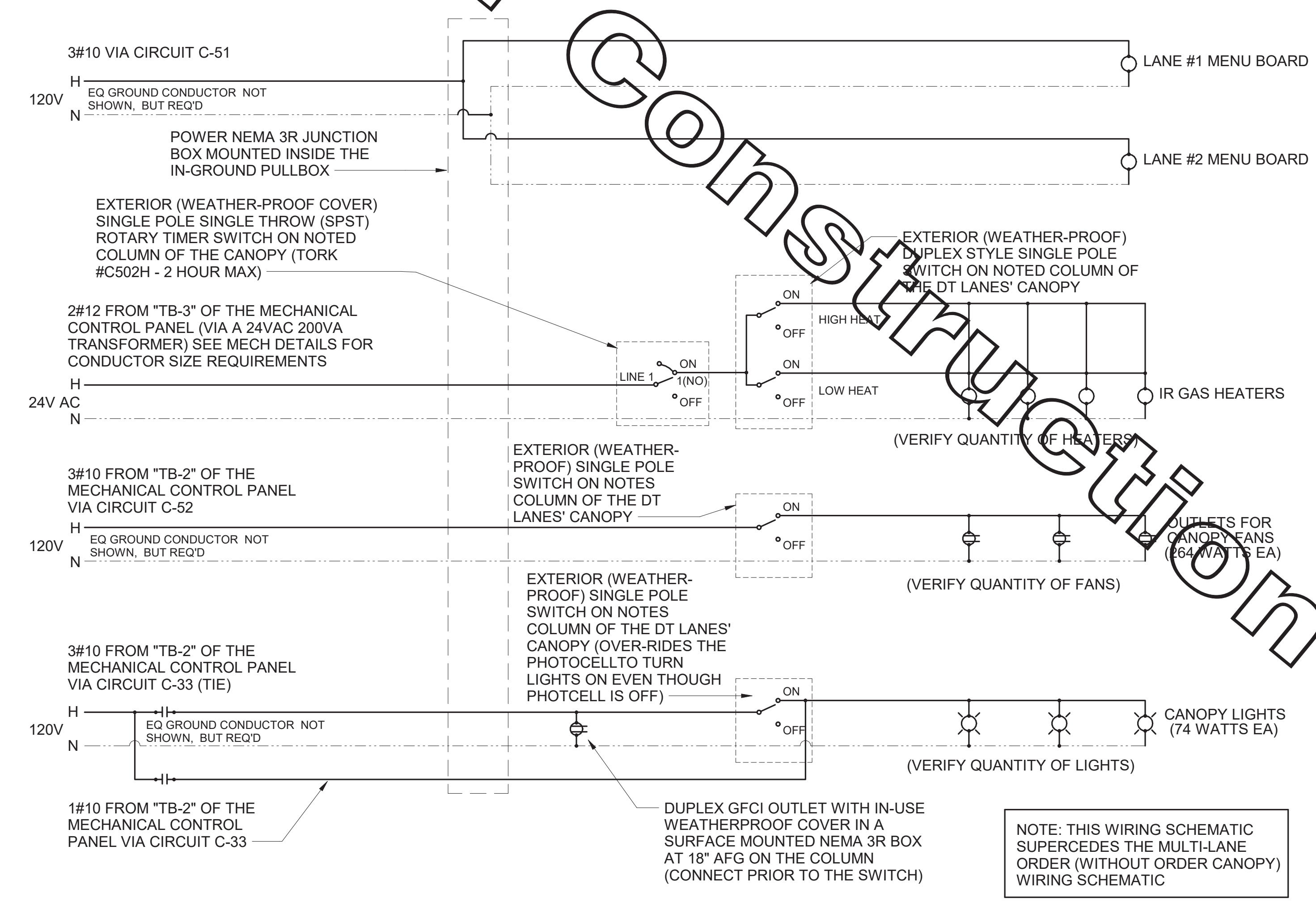
FOR CONSTRUCTION

COPYRIGHT © 2020 INTERPLAN LLC. RESERVES COPYRIGHT & OTHER RIGHTS RESTRICTING THESE DOCUMENTS TO THE ORIGINAL SITE OR PURPOSE FOR WHICH THEY WERE PREPARED. REPRODUCTIONS, REPRODUCTIONS OR ASSIGNMENTS ARE PROHIBITED.

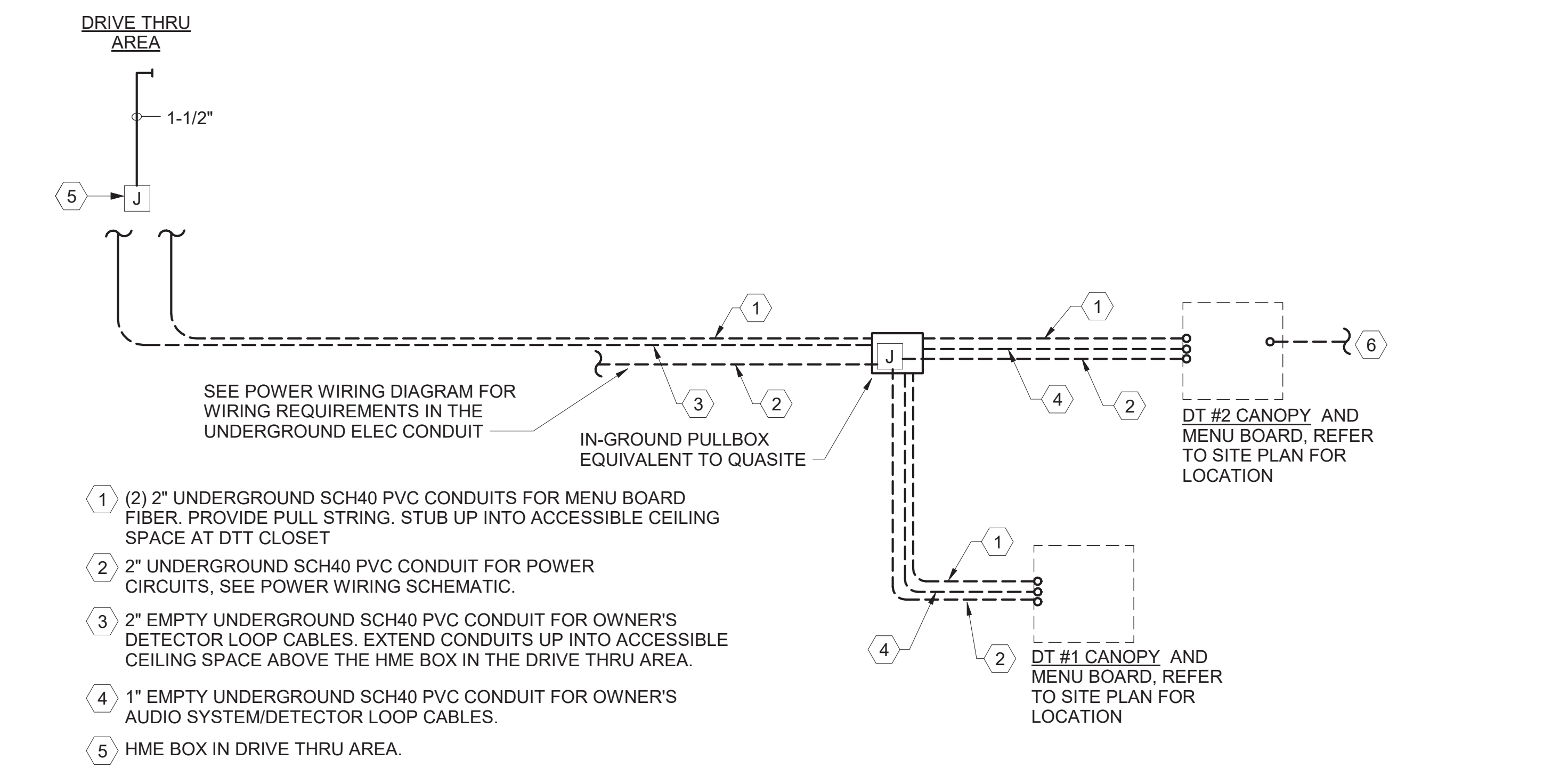
BIM_360/JGA_00825_Washington Road FSU_2021.6_FSR00825_Washington Road FSU_ELE.rvt
2/17/2022 1:27:30 PM
50-SE-00825-E-302-ENLARGED SERVING AND BOH POWER PLAN



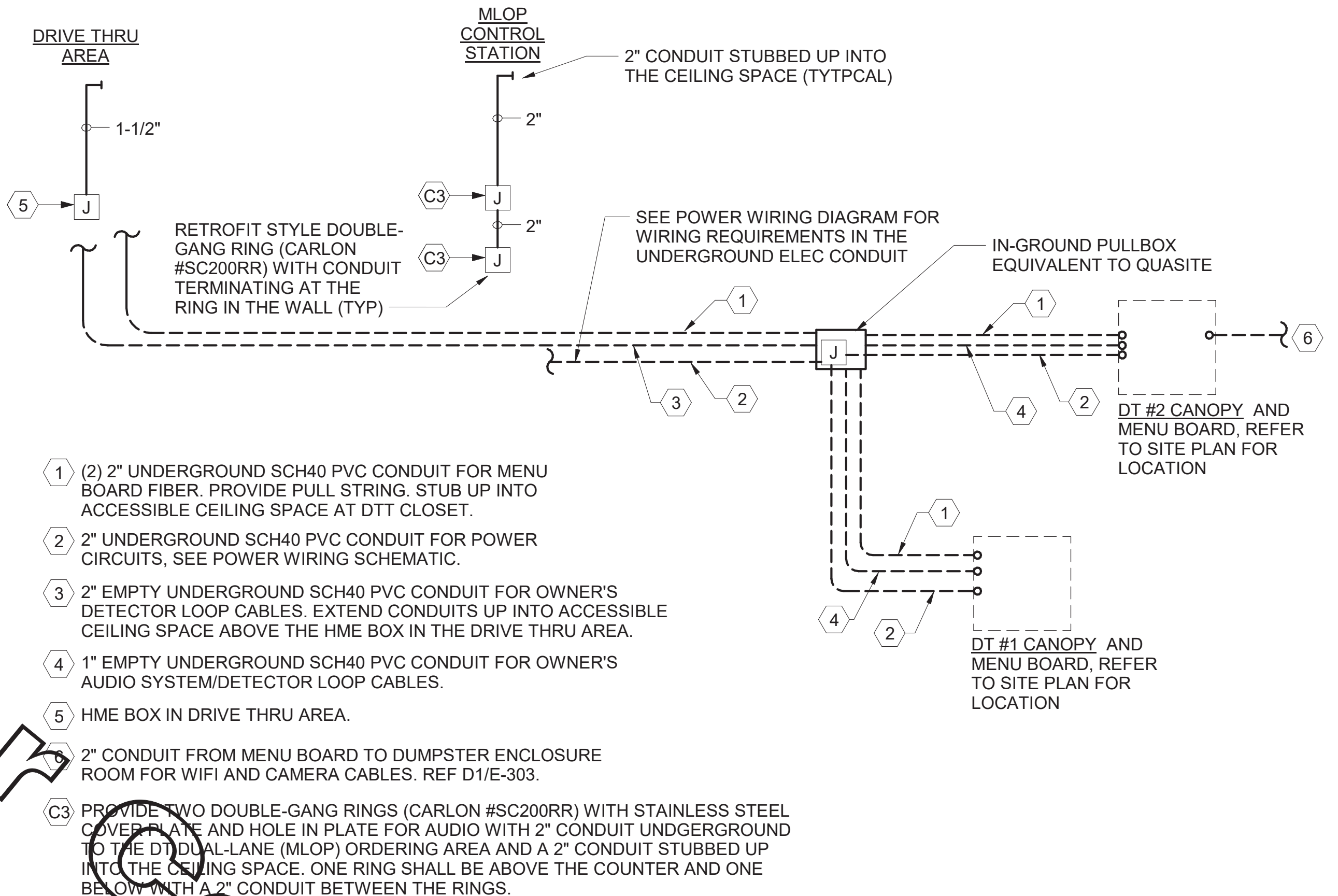
D1 REFUSE ENCLOSURE ELECTRICAL PLAN
1/4" = 1'-0"



B3 MULTI-LANE ORDER CANOPY POWER WIRING SCHEMATIC
N.T.S.



A3 MLOP DT REQUIREMENTS - WITH ORDER AREA F2F CANOPY
NO SCALE



MULTI-LANE DRIVE-THRU ORDER AREA CONDUIT REQUIREMENTS

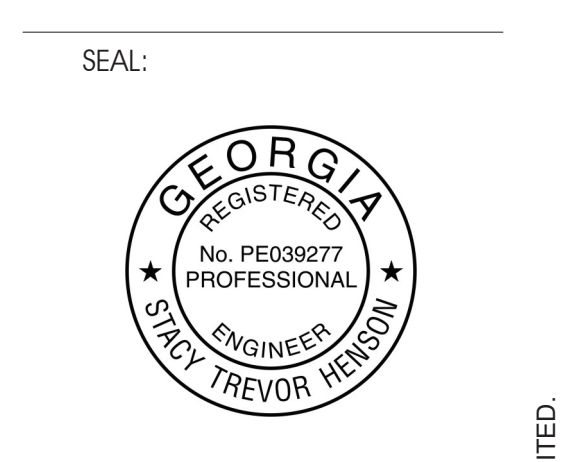


Chick-fil-A
5200 Buffington Road
Atlanta, Georgia
30349-2998

INTERPLAN
INTERPLAN LLC
AR0011595
CA 8660

ARCHITECTURE
ENGINEERING
PERMITTING

220 E. CENTRAL PKWY, STE 4000
ALTAMONTE SPRINGS, FL 32701
407.645.5008



CHICK-FIL-A
Washington RD
3066 Washington RD
Augusta, GA 30907

FSR#00825
BUILDING TYPE / SIZE: P13 SE ALL
RELEASE: 21.05

REVISION SCHEDULE		
NO.	DATE	DESCRIPTION

FOR CONSTRUCTION

CONSULTANT PROJECT #	2020.0739
PRINTED FOR	FOR CONSTRUCTION
DATE	06/24/21
DRAWN BY	MI

Information contained on this drawing and in all digital files produced for above named project may not be reproduced in any manner without express written or verbal consent from authorized project representatives.

**DT ORDERING AREA
DETAILS & REFUSE
ENCLOSURE PLAN**
SHEET NUMBER

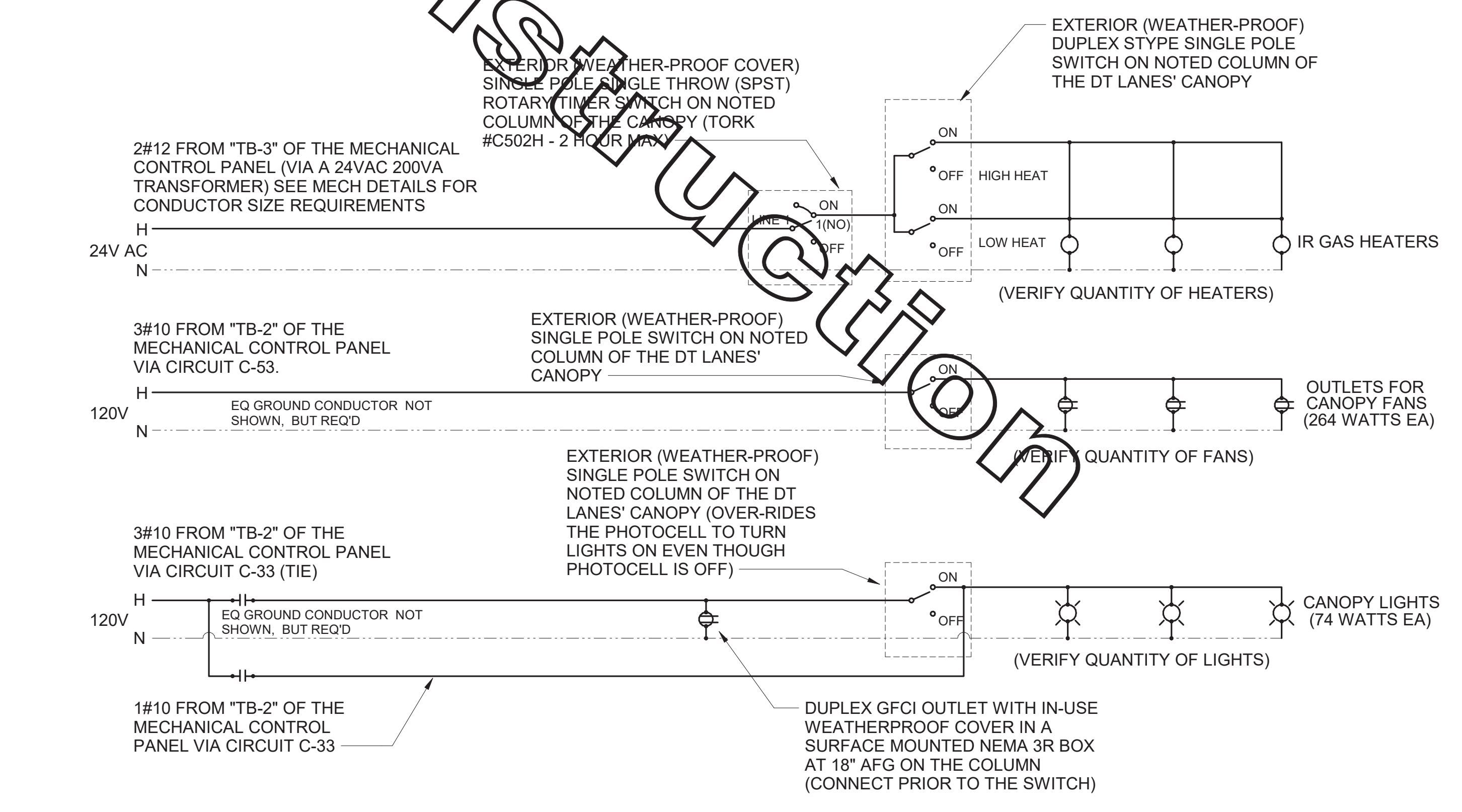
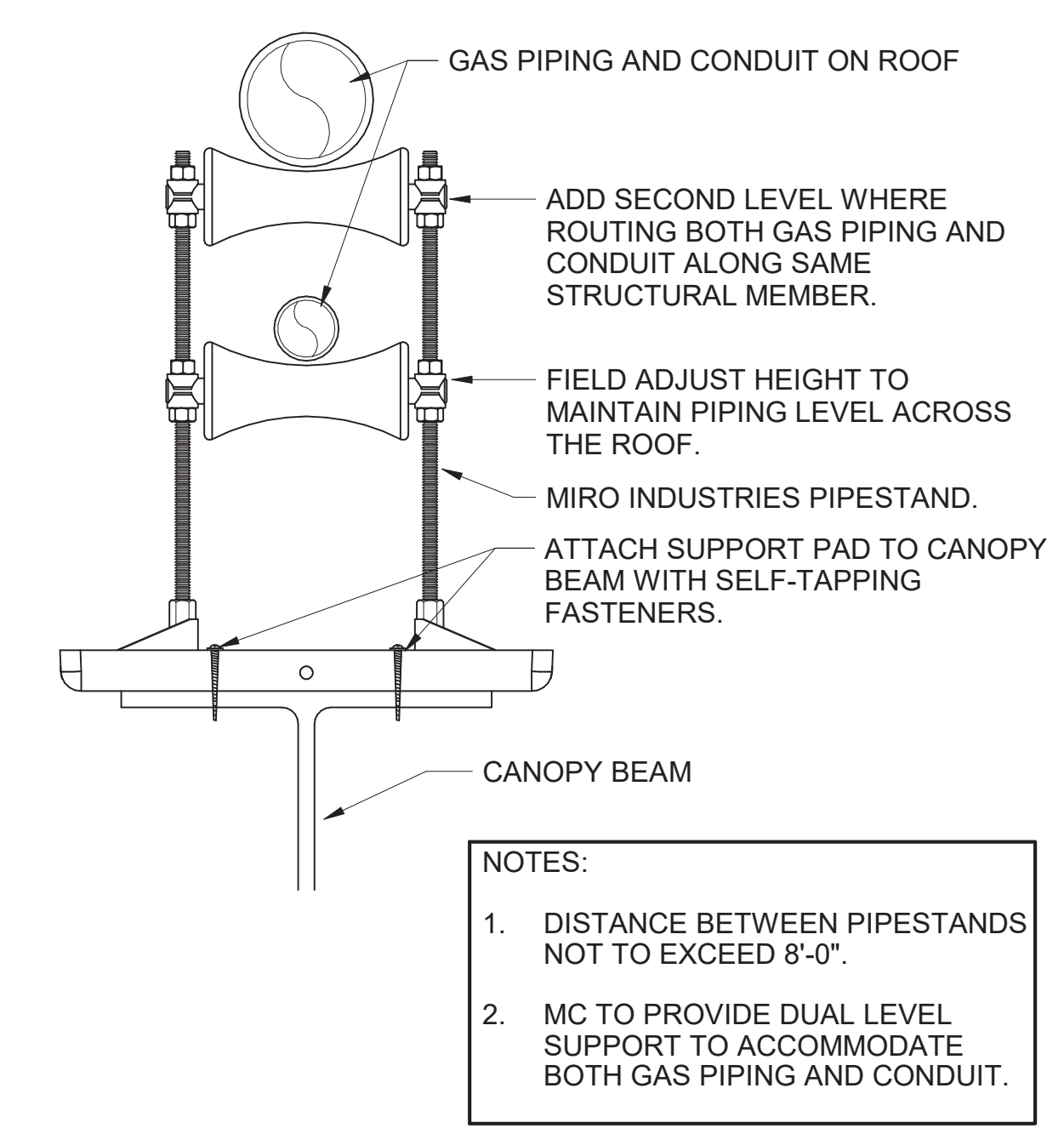
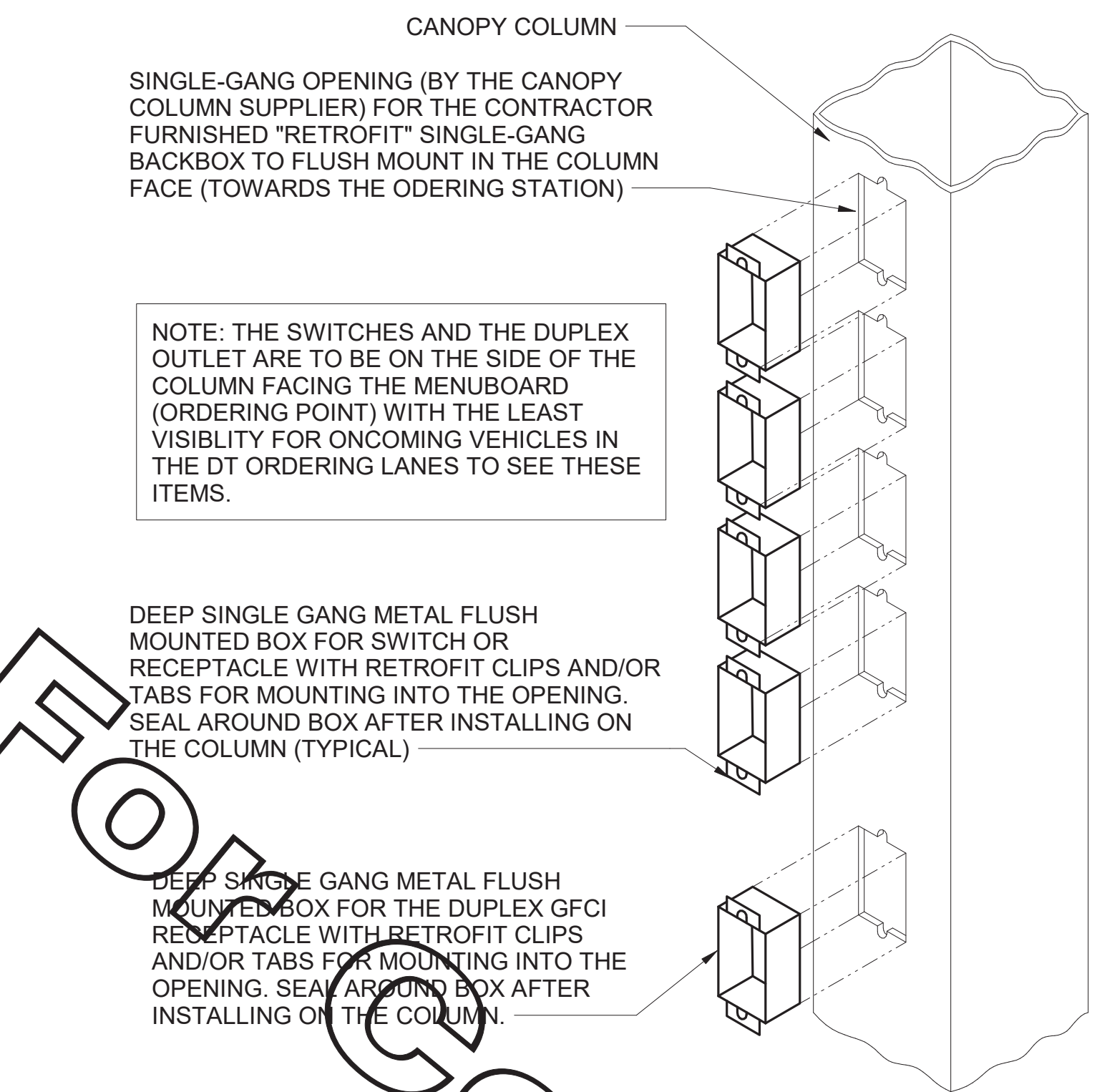
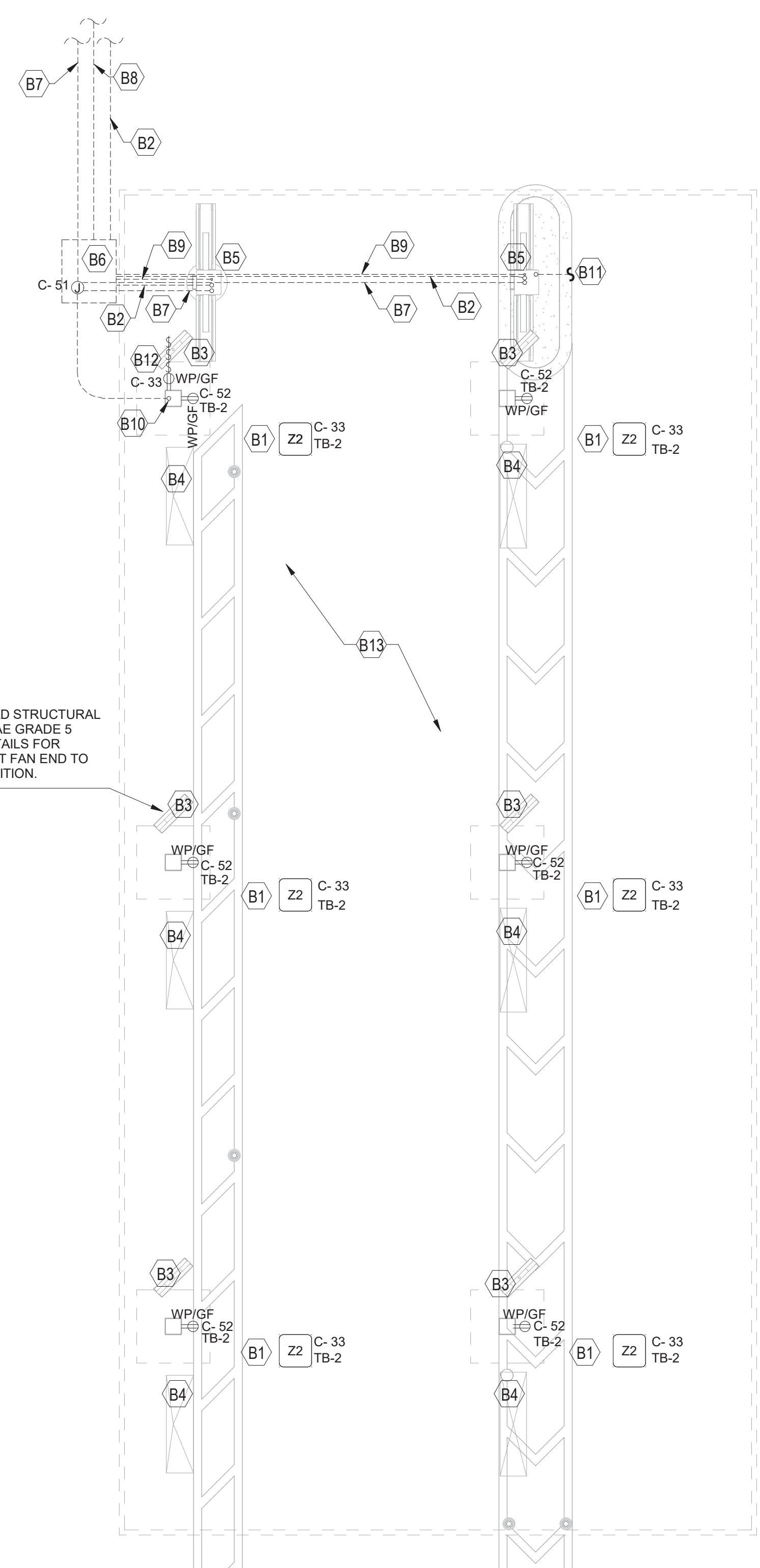
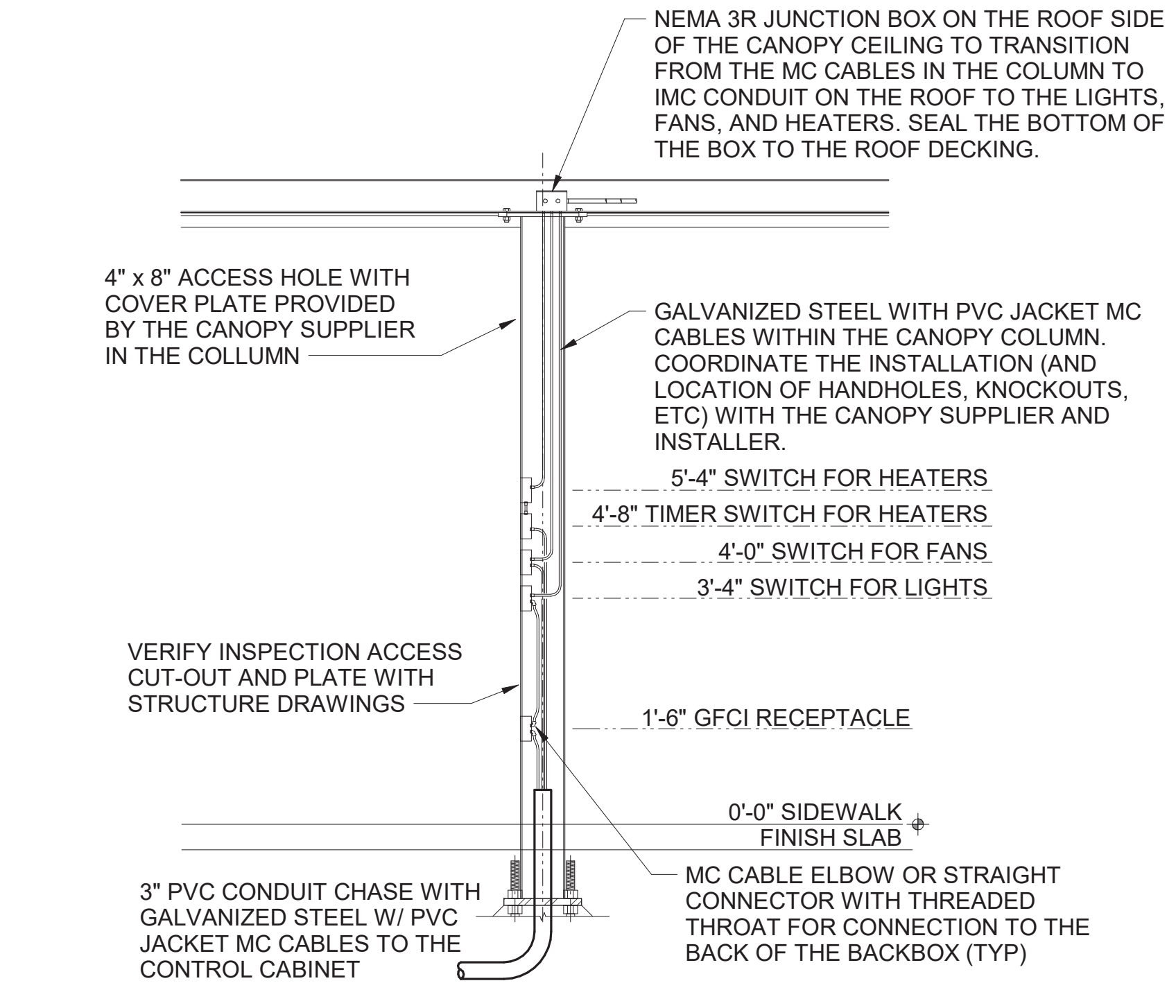
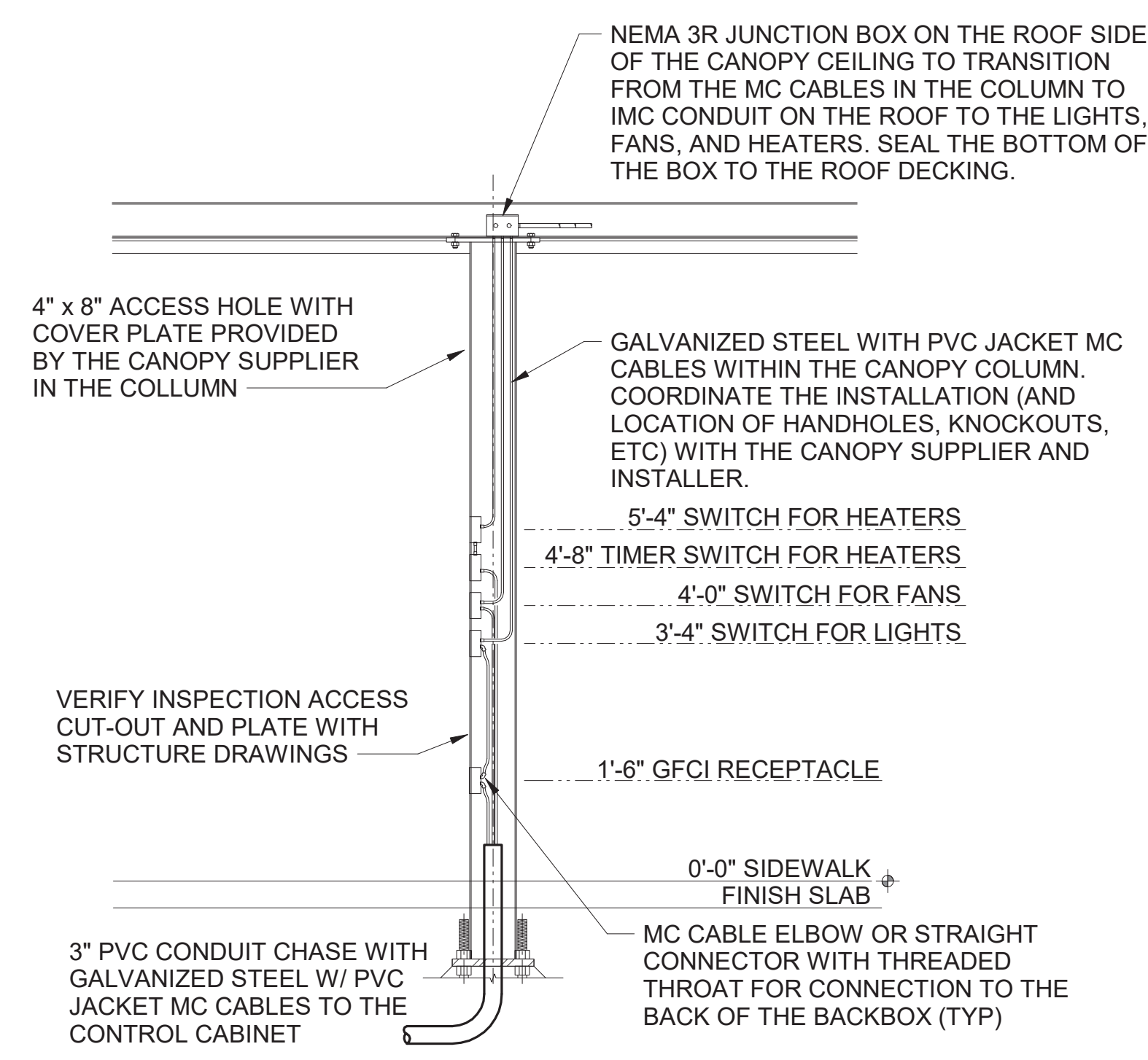
E-303
JONLOP - 02/17/2022 3:03:18 PM

BIM_360/JGA_00825_Washington Road FSL_2021.6_FSR00825_Washington Road FSLJ_ELE.rvt
2/17/2022 1:27:19 PM
50-SE-00825-E-303-DT ORDERING AREA DETAILS & REFUSE ENCLOSURE PLAN

COPYRIGHT © 2020 INTERPLAN LLC. RESERVES COPYRIGHT & OTHER RIGHTS RESTRICTING THESE DOCUMENTS TO THE ORIGINAL SITE OR PURPOSE FOR WHICH THEY WERE PREPARED. REPRODUCTIONS, CHANGES OR ASSIGNMENTS ARE PROHIBITED.

ORDER CANOPY ELECTRICAL KEYNOTES:

- B1 CEILING LIGHT PROVIDED BY CANOPY SUPPLIER AND INSTALLED BY E.C.
- B2 (2) 2" UNDERGROUND SCH40 PVC CONDUIT FOR MENU BOARD FIBER. PROVIDE PULL STRING. STUB UP INTO ACCESSIBLE CEILING SPACE AT DTT CLOSET.
- B3 AIR CIRCULATING FAN (WITH INTEGRAL ON-OFF SWITCH) PROVIDED BY OTHERS. PROVIDE A DUPLEX OUTLET (WITH IN-USE COVER PLATE) FLUSH MOUNTED IN CUT-OUT AT TOP OF COLUMN FOR FAN'S PLUG AND CORD. OUTLET TO BE ON DOWNSTREAM SIDE OF COLUMN AND AWAY FROM ONCOMING VEHICLES' VIEW.
- B4 INFRARED GAS HEATER WITH INTEGRAL ON-OFF SWITCH PROVIDED BY OTHERS.
- B5 MENUBOARD PROVIDED BY OTHERS.
- B6 PROVIDE IN-GROUND QUASITE PULLBOX FOR MLOP DATA CABLES WITH POWER NEMA 3R JUNCTION BOX MOUNTED INSIDE THE PULLBOX.
- B7 2" UNDERGROUND SCH40 PVC CONDUIT WITH POWER CIRCUITS. SEE WIRING SCHEMATIC.
- B8 2" EMPTY UNDERGROUND SCH40 PVC CONDUIT FOR OWNER'S DETECTOR LOOP CABLES. EXTEND CONDUITS UP INTO ACCESSIBLE CEILING SPACE ABOVE THE HME BOX IN THE DRIVE THRU AREA.
- B9 1" EMPTY UNDERGROUND SCH40 PVC CONDUIT FOR OWNER'S AUDIO SYSTEM/DETECTOR LOOP CABLES.
- B10 INSTALL UNDERGROUND 3" SCH40 PVC CONDUIT UP INTO THE CANOPY COLUMN WITH TYPE MC CABLE (GALVANIZED STEEL WITH PVC JACKET) RUN WITHIN FOR THE 120V POWER FOR LIGHTS, 120VOLT POWER FOR FANS, AND 24 VOLT POWER FOR THE INFRARED GAS HEATERS.
- B11 2" CONDUIT FROM DRIVE-THRU MENU BOARD TO DUMPSTER ENCLOSURE ROOM FOR WIFI AND CAMERA CABLES.
- B12 PROVIDE ONE DUPLEX GFCI (WITH IN-USE WP COVER PLATE), TWO 120V SINGLE POLE SWITCHES (EACH WITH HUBBELL #RW51550 WP COVER PLATE), AND ONE DUPLEX SINGLE POLE SWITCH WITH HUBBELL #RW51470 WP COVER PLATE) MOUNTED ON THE COLUMN IN FLUSH MOUNTED METAL SINGLE GANG BOXES FOR LOCAL ON-OFF CONTROL OF THE FAN, TWO-STAGE HEATERS, AND CANOPY LIGHTS. SEE WIRING SCHEMATIC AND CANOPY COLUMN DETAILS FOR FURTHER INFORMATION. ALL SURFACE MOUNTED ITEMS AND COVER PLATES TO BE FIELD PAINTED MATTE BLACK.
- B13 ALL CONDUIT AND BOXES SHALL BE CONCEALED FROM NORMAL VIEW. UNDERGROUND IN COLUMNS OR ABOVE THE CANOPY (ON THE ROOF), MC CABLE (GALVANIZED STEEL WITH PVC JACKET) TO BE USED INSIDE THE COLUMNS, BUT MUST CONVERT BACK TO IMC ABOVE THE ROOF. REFER TO THE MECHANICAL DRAWINGS FOR LOCATIONS OF GAS PIPING ABOVE THE ROOF AND INSTALL CONDUIT ALONG THE SAME LOCATIONS USING THE SAME PIPE STAND FOR PIPING AND CONDUIT. ALL EXPOSED ELECTRICAL BOXES TO BE NEMA 3R CAST-METAL.



Chick-fil-A
5200 Buffington Road
Atlanta, Georgia
30349-2998

INTERPLAN
INTERPLAN LLC
AR0011595
CA 8660
ARCHITECTURE
ENGINEERING
PERMITTING

220 E. CENTRAL PKWY, STE 4000
ALAMONTA SPRINGS, FL 32701
407.645.5008



CHICK-FIL-A
Washington RD
3066 Washington RD
Augusta, GA 30907

FSR#00825
BUILDING TYPE / SIZE: P13 SE ALL
RELEASE: 21.05

REVISION SCHEDULE		
NO.	DATE	DESCRIPTION

CONSULTANT PROJECT # 2020.0739
PRINTED FOR FOR CONSTRUCTION
DATE 06/24/21
DRAWN BY MI
Information contained on this drawing and in all digital files produced for above named project may not be reproduced in any manner without express written or verbal consent from authorized project representatives.
ORDER CANOPY PLAN AND DETAILS
SHEET NUMBER

E-304

JONLOP - 02/17/2022 3:03:13 PM

BIM 360/JGA_00825_Washington Road FSL_2021.6_FSR#00825_Washington Road FSLU_ELE.rvt
2/17/2022 1:27:18 PM
50-SE-00825-E-304-ORDER CANOPY PLAN AND DETAILS

FOR CONSTRUCTION

COPYRIGHT © 2020 INTERPLAN LLC. RESERVES COPYRIGHT & OTHER RIGHTS RESTRICTING THESE DOCUMENTS TO THE ORIGINAL SITE OR PURPOSE FOR WHICH THEY WERE PREPARED. REPRODUCTIONS, REPRODUCTIONS OR ASSIGNMENTS ARE PROHIBITED.



Chick-fil-A
5200 Buffington Road
Atlanta, Georgia
30349-2998

INTERPLAN
INTERPLAN LLC
AR0011595
CA 8660
ARCHITECTURE
ENGINEERING
PERMITTING

220 E. CENTRAL PKWY, STE 4000
ALAMONTE SPRINGS, FL 32701
407.645.5008

SEAL:



CHICK-FIL-A
Washington RD
3066 Washington RD
Augusta, GA 30907

FSR#00825
BUILDING TYPE / SIZE: P13 SE ALL
RELEASE: 21.05

REVISION SCHEDULE		
NO.	DATE	DESCRIPTION

CONSULTANT PROJECT # 2020.0739
PRINTED FOR FOR CONSTRUCTION
DATE 06/24/21
DRAWN BY MI

Information contained on this drawing and in all digital files produced for above named project may not be reproduced in any manner without express written or verbal consent from authorized project representatives.
SHEET CANOPY CONTROL PANEL WIRING DIAGRAM
SHEET NUMBER **E-305**
JONLOP - 02/17/2022 3:03:08 PM

FOR CONSTRUCTION

SEQUENCE OF OPERATION	
STORE SWITCH IN "STORE OPEN" POSITION	STORE SWITCH IN "STORE CLOSED" POSITION
A. INFRARED HEATERS ARE ENABLED.	A. INFRARED HEATERS ARE DISABLED.
B. COOLING FANS ARE ENABLED.	B. COOLING FANS ARE DISABLED.
C. LIGHTS ARE ENABLED.	C. LIGHTS ARE DISABLED.
D. MASTER AUTO/OFF SWITCH FOR IR HEATERS AND COOLING FANS. PROVIDE SINGLE POINT ON/OFF CONTROL.	

NOTES	
1.	CONTRACTOR SHALL PURCHASE CONTROL PANEL DIRECT FROM SUNCOAST ENVIRONMENTAL CONTROLS (727-544-6679).
2.	COORDINATE WITH GC TO ESTABLISH LOCATION TO MOUNT PANEL IN A CONDITIONED SPACE INSIDE THE BUILDING. SUGGESTED LOCATION IS SURFACE MOUNTED DIRECTLY ABOVE THE LOCATION OF THE CFA-T500 CONTROL PANEL.
3.	THE SUNCOAST ENVIRONMENTAL CONTROLS (SEC) IS TO BE SURFACE MOUNTED, UNLESS OTHERWISE REQUESTED TO SUNCOAST.
4.	PROVIDE LAMINATED LEGEND SHOWING NAMED LOCATIONS OF FANS AND IR HEATERS. MOUNT LEGEND AT PANEL.

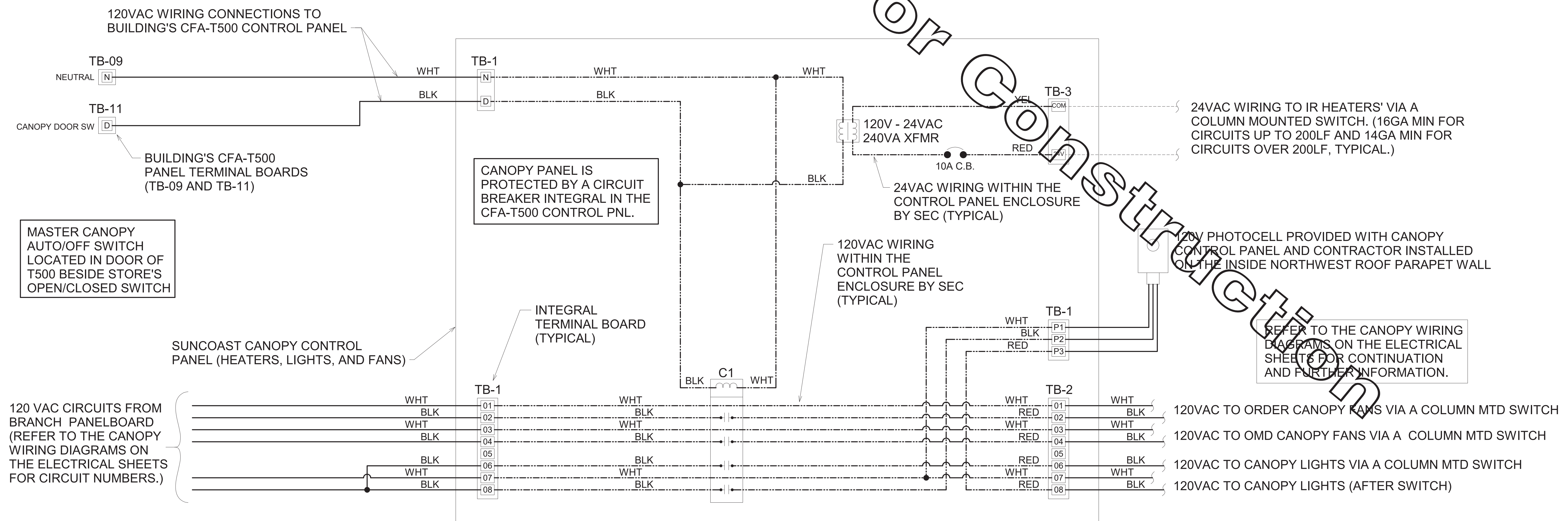
LEGEND	
SEC	SUNCOAST ENVIRONMENTAL CONTROLS (SUPPLIER OF CONTROL PANELS)
---	LOW VOLTAGE BY CONTRACTOR
----	LOW VOLTAGE WIRING BY SUNCOAST
—	120 VOLT BY CONTRACTOR
—	120 VOLT BY SUNCOAST

CIRCULATING FAN SCHEDULE					
MARK	CFM	RPM	HP	MODEL	MANUFACTURER
CF	5,750	1,625	1/8	U18TE-HD	TPI

REMARKS
1. ALUMINUM PADDLE WITH STEEL HUB/SPIDER PROPELLER.
2. 360° ROTATING HEAD HORIZONTALLY AND VERTICALLY.
3. OSHA COMPLIANT DOUBLE LOCKING, COATED STEEL WIRE GUARD.
4. 3-SPEED, TOTALLY ENCLOSED, PERMANENTLY LUBRICATED BALL BEARING MOTOR
5. FACTORY PRE-WIRED POWER CORD.
6. PROVIDE FACTORY WALL MOUNTING BRACKET. SEE FAN MOUNTING DETAIL ON CANOPY SHOP DRAWINGS FOR TYPICAL INSTALLATION INSTRUCTIONS.
7. PROVIDE ENGRAVED PLASTIC LABEL AT EACH UNIT WITH UNIT DESIGNATION IN 1" HIGH WHITE LETTERS ON A BLACK BACKGROUND, MOUNT TO UNDERSIDE OF CANOPY OR EXISTING OVERHANG, FACING DOWNWARD, 12" LATERALLY FROM THE FAN LOCATION.
8. REMOVE PULL CHAIN EXTENSION AT ON/OFF SWITCH IN THE FIELD.
9. FACTORY CERTIFIED FOR OUTDOOR INSTALLATION.

TPI FAN PACKAGE - THE CONTRACTOR IS REQUIRED TO PURCHASE THE FAN PACKAGE DIRECTLY FROM TOM BARROW COMPANY. CONTACT MR. SCOTT GEORGE AT 404-351-1010 FOR PRICING AND AVAILABILITY. FANS NOT PURCHASED THRU TOM BARROW COMPANY WILL NOT BE ACCEPTED.

SUNCOAST RELAYS CONTACTORS SHOWN IN DE-ENERGIZED "STORE UNOCCUPIED" CONDITION. RELAYS AND CONTACTORS FACTORY INSTALLED BY SEC IN CONTROL PANEL. RELAYS AND CONTACTORS ENERGIZED VIA "STORE OPEN/CLOSED" SWITCH.



A1 SUNCOAST CANOPY CONTROL PANEL WIRING DIAGRAM
NO SCALE

BIM 360/JGA_00825_Washington Road FSU_2021.6_FSR00825_Washington Road FSU_ELE.rvt
2/17/2022 1:27:17 PM
50-SE-00825-E-305-CANOPY CONTROL PANEL WIRING DIAGRAM

Branch Panel: A

LOCATION: SUPPLY FROM: MDP MOUNTING: SURFACE ENCLOSURE: NEMA 1

VOLTS: 120/208 Wye PHASES: 3 WIRES: 4

A.I.C. SERIES RATING: 65K/10K MAINS TYPE: MLO MAINS RATING: 250 A MCB RATING:

Table with columns: NT, CKT, LOAD DESCRIPTION, TRIP POLE, A, B, C, POLE TRIP, LOAD DESCRIPTION, CKT, NT. Lists various loads like TELEPHONE, OFFICE GEN OUTLETS, DRINK TOWER, etc.

Summary table with columns: Load Classification, Connected Load, Demand Factor, Estimated Demand, Panel Totals. Includes HVAC COOL, KITCHEN EQUIPMENT, etc.

Branch Panel: B

LOCATION: SUPPLY FROM: MDP MOUNTING: SURFACE ENCLOSURE: NEMA 1

VOLTS: 120/208 Wye PHASES: 3 WIRES: 4

A.I.C. SERIES RATING: 65K/10K MAINS TYPE: MLO MAINS RATING: 250 A MCB RATING:

Table with columns: NT, CKT, LOAD DESCRIPTION, TRIP POLE, A, B, C, POLE TRIP, LOAD DESCRIPTION, CKT, NT. Lists loads like GENERAL OUTLETS, MILKSHAKE DISPENSER, ROOF MTD ICE MAKER, etc.

Summary table with columns: Load Classification, Connected Load, Demand Factor, Estimated Demand, Panel Totals. Includes HEAT, KITCHEN EQUIPMENT, etc.

GFCI REQUIREMENTS PER 2020 NEC:

THE CONTRACTOR SHALL PROVIDE GROUND FAULT PROTECTION FOR ALL RECEPTACLE BRANCH CIRCUITS IN THE KITCHEN/FOOD PREPARATION AREAS IN ACCORDANCE WITH THE 2020 EDITION OF THE NEC.

Branch Panel: C

LOCATION: SUPPLY FROM: MDP MOUNTING: SURFACE ENCLOSURE: NEMA 1

VOLTS: 120/208 Wye PHASES: 3 WIRES: 4

A.I.C. SERIES RATING: 65K/10K MAINS TYPE: MLO MAINS RATING: 250 A MCB RATING:

Table with columns: NT, CKT, LOAD DESCRIPTION, TRIP POLE, A, B, C, POLE TRIP, LOAD DESCRIPTION, CKT, NT. Lists loads like KITCHEN LTG, TEA BREWER, DRINK TOWER, etc.

Summary table with columns: Load Classification, Connected Load, Demand Factor, Estimated Demand, Panel Totals. Includes KITCHEN EQUIPMENT, LIGHTING, etc.

Branch Panel: D1

LOCATION: SUPPLY FROM: MDP MOUNTING: SURFACE ENCLOSURE: NEMA 1

VOLTS: 120/208 Wye PHASES: 3 WIRES: 4

A.I.C. SERIES RATING: 65K/10K MAINS TYPE: MLO MAINS RATING: 250 A MCB RATING:

Table with columns: NT, CKT, LOAD DESCRIPTION, TRIP POLE, A, B, C, POLE TRIP, LOAD DESCRIPTION, CKT, NT. Lists loads like PRESSURE FRYER, RETHERMALIZER, CHARGRILL COOKER, etc.

Summary table with columns: Load Classification, Connected Load, Demand Factor, Estimated Demand, Panel Totals. Includes KITCHEN EQUIPMENT, etc.

Branch Panel: D2

LOCATION: SUPPLY FROM: MDP MOUNTING: SURFACE ENCLOSURE: NEMA 1

VOLTS: 120/208 Wye PHASES: 3 WIRES: 4

A.I.C. SERIES RATING: 65K/10K MAINS TYPE: MLO MAINS RATING: 250 A MCB RATING:

Table with columns: NT, CKT, LOAD DESCRIPTION, TRIP POLE, A, B, C, POLE TRIP, LOAD DESCRIPTION, CKT, NT. Lists loads like OPEN FRYER, EGG STATION, FUTURE OPEN FRYER, etc.

Summary table with columns: Load Classification, Connected Load, Demand Factor, Estimated Demand, Panel Totals. Includes KITCHEN EQUIPMENT, etc.

Branch Panel: POS

LOCATION: SUPPLY FROM: A MOUNTING: SURFACE ENCLOSURE: NEMA 1

VOLTS: 120/120 Single PHASES: 3 WIRES: 3

A.I.C. SERIES RATING: 10 K MAINS TYPE: MLO MAINS RATING: 100 A MCB RATING:

Table with columns: NT, CKT, LOAD DESCRIPTION, TRIP POLE, A, B, C, POLE TRIP, LOAD DESCRIPTION, CKT, NT. Lists loads like COUNTER STATIONS, OFFICE RECEPTACLE, etc.

Summary table with columns: Load Classification, Connected Load, Demand Factor, Estimated Demand, Panel Totals. Includes MISCELLANEOUS RECEPTABLES, etc.

Distribution Panel: MDP

LOCATION: SUPPLY FROM: MDP MOUNTING: SURFACE ENCLOSURE: NEMA 3R

VOLTS: 120/208 Wye PHASES: 3 WIRES: 4

A.I.C. SERIES RATING: 65K MAINS TYPE: MCB MAINS RATING: 1200 A MCB RATING:

Table with columns: NT, CKT, LOAD DESCRIPTION, TRIP POLE, A, B, C, POLE TRIP, LOAD DESCRIPTION, CKT, NT. Lists loads like PANEL-A (SUB-FEEDS PANEL POS), ROOFTOP UNIT, etc.

Summary table with columns: Load Classification, Connected Load, Demand Factor, Estimated Demand, Panel Totals. Includes HEAT, HVAC COOL, etc.

LOAD SUMMARY table with columns: TOTAL CONNECTED KVA, IF TOTAL LOAD IS 0_200 KVA, IF TOTAL LOAD IS 201_325 KVA, IF TOTAL LOAD IS 326-800 KVA, IF TOTAL LOAD IS OVER 800 KVA, DIVERSIFIED AMPS AT 208 VOLT.

PANELBOARD NOTES

- (A) CONTROLLED BY RELAY IN CONTROL PANEL CFA-T500 AND STORE-OPEN EXHAUST FAN SWITCH... (B) CONTROLLED BY EXTERIOR SIGN RELAY... (C) CONTROLLED BY EXTERIOR LIGHTING RELAY... (D) CONTROLLED BY EXTERIOR LIGHTING RELAY - DUSK TO DAWN ZONE... (E) CONTROLLED BY PARKING LOT LIGHTING CONTROL SWITCH... (F) GFCI TYPE BREAKER TO BE 30MA TYPE BREAKER... (G) GROUND FAULT... (H) THE CONTRACTOR SHALL PROVIDE GROUND FAULT PROTECTION FOR ALL 120 VOLT, 15 AND 20 AMP... (I) ISOLATED GROUND... (J) CONTROLLED BY INTERIOR LIGHTING RELAYS... (K) LOCK-ON... (L) LOCK-OFF FOR MAINTENANCE... (M) HIGH MAG LOAD... (N) THRU (1) SB6100-02X-0 GFCI PROTECTION DEVICE... (O) SHUNT TRIP. INTERLOCK W/ ANSUL SYSTEM VIA T-500 PANEL... (P) SURGE PROTECTION FOR INDIVIDUAL CIRCUIT...



Chick-fil-A 5200 Buffington Road Atlanta, Georgia 30349-2998

INTERPLAN INTERPLAN LLC A90011595 CA 8660

ARCHITECTURE ENGINEERING PERMITTING

220 E. CENTRAL PKWY, STE 4000 ALTAMONTE SPRINGS, FL 32701 407.645.5008



CHICK-FIL-A Washington RD 3066 Washington RD Augusta, GA 30907

FSR#00825 BUILDING TYPE / SIZE: P13 SE LRG RELEASE: 21.05

REVISION SCHEDULE table with columns: NO, DATE, DESCRIPTION. Includes 09.09.21 OPERATOR COMMENTS, 11.22.21 OWNER REVISIONS, 02.02.2022 OWNER REVISIONS.

CONSULTANT PROJECT # 2020.0739 PRINTED FOR FOR CONSTRUCTION DATE 06/24/21 DRAWN BY MI

Information contained on this drawing and in all digital files produced for above named project may not be reproduced in any manner without express written or verbal consent from authorized project representatives. SHEET PANEL SCHEDULES

E-501L JONLOP - 02/17/2022 3:02:57 PM

BIM 360/IGA_00825_Washington Road FSL_2021.6_FSR00825_Washington Road FSL_ELE.vt 2/17/2022 1:27:16 PM 50-SE-00825-E-501L-PANEL SCHEDULES

FOR CONSTRUCTION

**SECTION C16124
SUPPORTING DEVICES AND HANGERS**

PART 1 - PRODUCTS

- 1.01 ACCEPTABLE MANUFACTURERS
 - A. Supporting devices and hangers shall be manufactured by RACO Fasteners, or approved equivalent.

PART 2 - EXECUTION

- 2.01 INSTALLATION
 - A. Secure conduits to within 3" of each outlet box, junction box, cabinet, fitting, etc., and at intervals not to exceed ten feet (10') and in accordance with the National Electric Code. In seismic zones, support conduits 1" and under at 6' intervals.
 - B. Install clamps secured to structure for feeder and other conduits routed against the structure. Use drop rods and hangers or racks to support conduits run apart from the structure.
 - C. Provide and install suitable angle iron, channel iron, or steel metal framing with accessories to support of trays, electrical equipment including safety switches, fixtures, panelboards, etc.
 - D. Use of chains, perforated iron, baling wire, or tie wire for supporting conduit runs is not permitted.
 - E. For support of low voltage wiring not required to be in conduit, bundle cables together in a neat manner using approved nylon tie wraps. Bundled cables shall be supported with "U" hooks on telephone type bridge rings, a minimum of 6 feet on centers. Clearly identify all differing types of cables being run and tag with tape tags regarding telephone, POS System, music / communication, security, etc. for various system utilizing said cable. Identification tape shall be provided at minimum intervals of 25 feet on center and within each building space.
 - F. Provide a system of supporting devices and hangers to insure secure support or bracing for conduit, electrical equipment, including safety switches, fixtures, panelboards, outlet boxes, junction boxes, cabinets, etc.

**SECTION C16140
WIRING DEVICES AND PLATES**

PART 1 - PRODUCTS

- 1.01 WALL SWITCHES
 - A. Ratings: 20 amps, 120/277 volts a.c. or as identified on drawings.
 - B. Devices: (Cooper/Arrow Hart catalog numbers are listed unless noted otherwise):
 - 1. Single pole toggle switches: 20 AMP device - #AH1221-GY (Kitchen) or #AH1221-B (Dining) 20 AMP Pilot lights illuminated with load on - #AH1221-PL
 - 2. Double pole toggle switches: 20 AMP device - #AH1222-GY (Kitchen) or #AH1222-B (Dining)
 - 3. Three-way toggle switches: 20 AMP device - #AH1223-GY (Kitchen) or #AH1223-B (Dining)
- 1.02 RECEPTACLES
 - A. Devices: (Cooper/Arrow Hart catalog numbers are listed unless otherwise noted):
 - 1. Specification grade devices to be 20 amp, 125 volts, a.c. receptacles:
 - a. Single (simplex) device: #1877-GY (Kit) or #1877-B (Dining)
 - b. Duplex device: #CR20-GY (Kitchen) of #CR20-B (Dining)
 - c. Tamper resistant duplex device: #TRCR20-B or #TR775B-B (with USB charging)
 - d. GF (ground-fault circuit interrupter) duplex device: #VGF20-GY (Kitchen) or #VGF20-B (Dining)
 - e. IG (isolated ground) duplex device: #IG5362-RN (orange face)
 - 2. Color:
 - 1. Devices mounted in the FRP or tile shall be gray.
 - 2. Devices mounted in wood finish shall be brown.
 - 3. Isolated ground receptacles shall be orange.
- 1.03 SPECIAL DEVICES
 - A. Manual motor starter switch: SQ, D Class 2510, Type F, for use on motors up to 3/4 horsepower. Provide NEMA 1 enclosure in dry locations; provide NEMA 3R enclosure in wet or exterior locations.
- 1.04 WALL PLATES
 - A. Provide blank plates on all outlet boxes for future outlets, or outlets without devices. Plate style shall match device plates.
 - B. Provide non-metallic weatherproof covers for duplex GF receptacles located outside or in wet locations that feature 'while-in-use' cover equivalent to Arrow Hart #WUI-1.
 - C. Where devices installed in exposed boxes or conduit fittings; provide properly designed plates and covers equal to Arrow Hart RS-Series exposed work covers.
 - D. Install galvanized steel plates on outlet boxes and junction boxes in unfinished areas, above accessible ceilings, and on surface mounted boxes.
 - E. Color:
 - 1. Wall plates mounted in FRP or tile shall be smooth satin stainless steel 302-ss series.
 - 2. Wall plates mounted in wood finish shall be brown nylon plastic.
 - 3. Isolated ground wall plates shall be orange nylon plastic with a circuit number printed in 3/16 inch black lettering on clear adhesive label adhered to plate.

PART 2 - EXECUTION

2.01 INSTALLATION

- A. Mounting
 - 1. Mount switches and receptacles at height above finished floor as indicated on plans, and legend.
 - 2. Mount switches on strike side of door maximum 8" from door frame. Outlet box for switch shall be located clear of door frame. Coordinate with architectural plans prior to rough-in.
 - 3. Install switches with off position down.
 - 4. Do not use the feed thru feature for the GF Type receptacle, unless required by the plans.
 - 5. Use jumbo sized plates for outlets installed in masonry walls.
 - 6. Each receptacle shall be provided with a #12 green grounding jumper between the ground terminal of the receptacle and the outlet box.
 - 7. The grounding conductor to each receptacle shall be installed such that the removal of the device will not interfere with the continuity of the ground.
- B. Testing
 - 1. Test each switch and verify proper operation with energized circuit.
 - 2. Test each receptacle for proper polarity on energized circuit.
 - 3. Test each GF receptacle with a GF receptacle tester and verify circuit is opened by GF device at milli-ampere ranges established by the manufacturer.

**SECTION C16140
PANELBOARDS**

PART 1 - PRODUCTS

- 1.01 MANUFACTURER (Per Chick-fil-A National Accounts Program)
 - A. Square-D (West, Midwest, Northeast, and Southwest Regions): from Villa Lighting, Dave Christianell (800)325-0963
 - B. Square-D (Atlantic and Southeast Regions): from Accu-Serv, Bob Harpring (502)961-0096
- 1.02 PANELBOARD FEATURES
 - A. Panelboards shall have a minimum symmetrical interrupting rating to meet or exceed the available symmetrical interrupting fault current at the device intended to interrupt current.
 - B. Bus bars shall be copper.
 - C. Provide factory-installed copper ground bus in each panelboard with lugs or connectors on bar.
 - D. Provide electrically isolated, factory installed, neutral bus in each 3 phase, 4 wire or 1 phase 3 wire panelboard.
 - E. In addition to the ground bus required by paragraph 1.02D (above), provide factory installed, electrically isolated, copper ground bus in each panelboard serving isolated ground receptacles.
 - F. Main lugs and main circuit breaker lugs shall be UL Listed for use with both aluminum and copper conductors.
 - G. Provide panelboard doors with chrome-plated locks and catches. All locks shall be keyed alike. Provide two keys for each lock.
 - H. Provide thermal-magnetic circuit breakers which are rated for 40 degrees C ambient temperature. Breakers shall be quick-make, quick-break type trip with trip indication shown by handle position other than on or off. Multi-pole breakers shall have a common trip handle. Tandem type circuit breakers shall not be permitted.
 - I. MDP main breaker, 1200 Amps or higher, shall be equipped with Arc Flash Maintenance Setting switch for use as a temporary arc-flash incident energy reduction device during maintenance activities.
 - J. Provide typed directory card with clear holder for each panelboard.

PART 2 - EXECUTION

- 2.01 INSTALLATION
 - A. Panelboards shall be mounted at height above finished floor such that the height of the top-most breaker in the panel is not more than 6-1/2 feet above finished floor in its highest position per the NEC.
 - B. Where multiple panelboards are installed on walls in common areas of buildings, the panelboards shall be installed with the top of all panelboards at the same height.
 - C. Provide blank filler plates over all unused spaces in panelboards.
 - D. A typed directory card shall indicate devices being served and the space name where the device is located.
 - E. Provide minimum of one (1) 3/4" empty spare conduit for every 3 poles of spare breaker or space in the panelboard. Stub conduit to nearest accessible ceiling space. Label conduit as spare at panelboard and termination point.
 - F. Non-isolated ground bars shall be grounded to panelboard can and main service entrance ground bus with a code sized grounding conductor installed in the same conduit as the phase and neutral conductors.
 - G. Circuits using a common neutral shall be installed in accordance with the National Electrical Code.
 - H. Inspect each panelboard for proper installation, physical damage, tightness and installation of overcurrent devices. Verify proper color coding of conductors. Correct or repair all items found in inspection.
 - I. Neutral wires, ground wires, and isolated ground wires shall be connected to the appropriate panel bus bar. Do not mix bus wire connections.

**SECTION C16441
ENCLOSED SWITCHES
PART 1 - PRODUCTS**

- 1.01 MANUFACTURERS
 - A. Square D
 - B. GE / ABB
 - C. Siemens

1.02 ENCLOSED SWITCHES

- A. Nonfusable switch assemblies: NEMA KS 1, General Duty Type for 208 volt load interrupter enclosed knife switch with externally operable handle interlocked to prevent opening front cover with switch in on position. Handle lockable in off position. Provide equipment ground lug in each switch.
- B. Enclosures: NEMA KS 1,
 - 1. Interior dry locations: Type 1.
 - 2. Exterior locations: Type 3R.

**SECTION C16442
UTILITY SERVICE ENTRANCE AND DISTRIBUTION SYSTEM**

PART 1 - GENERAL

- 1.01 SYSTEM DESCRIPTION
 - A. The underground electrical system service characteristics shall be 208Y/120 volts, Three Phase, Four Wire service and shall extend from utility company transformer secondary.
 - B. Metering of electrical usage shall be located as required by local electrical utility company. Coordinate requirements with local utility company.
 - C. Distribution system originates at secondary of utility transformer and includes service entrance conduit and conductors, distribution equipment, lighting panelboards, utilization equipment, overcurrent devices, disconnecting means, controls, branch and feeder circuits, etc.

PART 2 - PRODUCTS

2.01 MATERIALS

- A. Furnish service entrance conduit, cable, and miscellaneous hardware as required by plans and specifications for electrical service entrance and system grounding at main electrical service.

PART 3 - EXECUTION

- 3.01 EXAMINATION AND PREPARATION
 - A. Coordinate exact locations of electrical service utility transformer, metering equipment, service lateral, etc. prior to commencement of installation. Contact engineer with conflicts prior to bid.
 - B. Ensure pad mounted transformer is not located within roadway or sidewalk.
 - C. Coordinate with local electrical utility for all utility company requirements and provide for the following items and any others required by the utility:
 - 1. Concrete pad for utility transformer with required dimensions and details.
 - 2. Primary wire ground conduit, excavation, and backfill requirements.
 - 3. Pay for all fees associated with establishment of electrical service.
 - 4. Furnish list of loads to the electrical utility company serving the facility.
 - 5. Verify that utility company clearances are provided on all sides of utility equipment.
 - D. Ensure proper access to utility equipment is maintained.
 - E. Provide pull rope, excavation in accordance with electrical utility company requirements, backfill and concrete envelope for primary in accordance with electrical utility company requirements. Turn conduits up riser pole as required. Cap spare conduits 12 inches above grade with plumbers pipe cap.
 - F. Provide secondary lugs on utility transformer and perform drilling and installation of lugs in accordance with utility requirements. Type of lugs shall be in accordance with electrical utility company requirements. Connect service conductor to transformer secondary lugs as directed by electrical utility.

**SECTION C16500
LIGHTING FIXTURES (LUMINAIRES)**

PART 1 - GENERAL

- 1.01 ACCEPTABLE MANUFACTURERS AND VENDORS
 - A. Lighting fixtures indicated on lighting fixture schedule are to be purchased from the National Account Vendor for the region of the project (verify region designation with Owner's Representative):
 - 1. Accu-Serv Lighting - Atlantic region and Southeast region. Contact at Accu-Serv: Bob Harpring at 877-707-7378, fax - 502-961-0357, email - bharpring@accu-serv.com
 - 2. Villa Lighting - Northeast region, Midwest region, Southwest region, and West region. Contact at Villa Lighting: Dave Christianell at 800-325-0963, fax- 314-531-8720, email - davec@villalighting.com
 - B. Ballasts to be electronic ballast provided with lighting fixture by the manufacturer.
 - C. Lamps to be Osram-Sylvania and will typically be provided with the luminaire by the lighting manufacturer.

1.02 FIXTURE REQUIREMENTS

- A. Provide regulating, HPF ballasts in all HID lighting fixtures. HID lamp types shall be as indicated on the drawings.
- B. Recessed fluorescent lighting fixture ballasts shall be provided with integral thermal protection.
- C. Provide energy-saving Instant or Rapid Start lamps for all fluorescent fixtures.
- D. All lamps and ballasts shall meet or exceed the requirements of the National Energy Policy Act of 1992 and any other applicable Codes or Criteria.
- E. All components of recessed fixtures shall be accessible without disturbing fixture in or on ceiling.
- F. Energy saving ballasts and energy saving lamps provided shall be compatible for operation together.
- G. Exterior fixtures and poles shall be suitable for exterior use, shall be UL Listed, and shall be a standard design for exterior application.
- H. Exterior poles for fixtures with luminaires installed shall be designed for maximum constant velocity wind load with luminaires installed, applicable to the geographic area.

1.03 CONTROLS

- A. Lighting contactors shall be Square-D, GE / ABB, Cutler-Hammer or Siemens of types and quantity shown on drawings, except those furnished with the switchgear as part of the National Account Program by Suncoast Environmental Controls (SEC).

1.04 EMERGENCY LIGHTING UNITS

- A. Batteries shall supply emergency power for lighting with minimum operating time of 1-1/2 hours.
- B. Emergency lighting shall be automatically operational upon normal utility power failure.

PART 3 - EXECUTION

3.01 INSTALLATION

- A. Lighting fixtures shall be structurally supported. Fluorescent fixtures mounted in suspended ceilings shall be supported by and attached to ceiling system as required by NEC Article 410. In addition, fluorescent troffers shall be supported at two opposite corners to building structure.
- B. Recessed fixtures in dropped ceiling areas shall be connected to power source using flexible conduit. Flexible conduit shall contain a separate insulated green No. 12 copper ground wire. Flexible conduit shall be connected to junction box and fixture. Green ground wire shall provide ground continuity between conduit system and fixture. Grounding conductors shall be permanently and mechanically connected between fixture and conduit system so as to be electrically continuous.
- C. Fixtures surface mounted on exposed tee bar ceilings shall use grip clamps on tee bars to support fixtures.
- D. Wire shall be continuous from splice in outlet box of building wiring system to lamp socket or ballast terminals.
- E. Maintain the integrity of enclosures on enclosed and gasketed fixtures. Minimize the number of enclosure penetrations and make such penetrations water and dust tight with appropriate gaskets and fittings.
- F. Concrete bases shall be provided for all exterior ground mounted or pole mounted fixtures.
- G. Install accessories furnished with each fixture.
- H. Wiring from pole bases to pole mounted luminaire shall be No. 12 with fuse protection provided by a 30 amp, 600 volt waterproof fuseholder with Bussman 'Limiteron' fuse of ampere rating 3 times the load current.
- I. Surface and recessed fixtures on or in plastered or drywall ceilings shall be supported by support channels. Support channels shall span across main support channels and shall not depend upon ceilings for support.

**SECTION C16506
SPECIAL SYSTEMS**

PART 1 - GENERAL

1.01 WORK INCLUDED

- A. Furnish and install raceway system for music / communications security, CCTV, POS, and other owner-furnished systems, consisting of empty conduits, junction boxes, outlet boxes, and device plates, etc., as specified and shown on owner selected vendor wiring diagrams, cable, equipment, and installation of the interior system will be provided by the owner's system vendor.
- B. Interior system equipment will be furnished by Owner's Vendor.
- C. Install special backboxes furnished by Owner's Vendor. Coordinate with the Vendor for the installation. Coordinate with the Vendor if backboxes are to be contractor provided in order to provide and install the appropriate item for the Vendor.

PART 2 - PRODUCTS

2.01 MATERIALS

- A. Provide 4-11/16" square boxes, with plaster rings. Provide device plates for system outlets as specified in Section 16141. Provide separate conduit to nearest accessible ceiling space from each outlet.

- B. Cable shall be in conduit where installed in walls or inaccessible ceilings.
- C. Minimum conduit size shall be 3/4" .

PART 3 - EXECUTION

3.01 INSTALLATION

- A. Furnish and install conduits, junction boxes, outlet boxes, and plates.
- B. Provide one #10 equivalent nylon pull wire in each system empty conduit.
- C. Provide a complete raceway system in accordance with interior system vendor requirements. Interior system vendor shall review the drawings. Contractor shall provide for any additional or varying requirements.
- D. Final connections and testing of systems will be provided by the system vendor. Contractor shall contact the owner's vendor and schedule the work so as to complete system installation and testing prior to occupancy of the facility.
- E. Terminate each conduit stub-up or termination with nylon insulated bushing.

**SECTION C16597
TELEPHONE SERVICE**

PART 1 - GENERAL

1.01 WORK INCLUDED

- A. Furnish and install telephone system consisting of empty conduits, junction boxes, outlet boxes, device plates, etc., as specified and shown on owner selected vendor wiring schematics. Cable, equipment, and installation of the interior system will be provided by the owner's system vendor.
- B. Provide underground PVC, Schedule 40, service conduit as required by plans.
- C. Telephone Utility Company will provide service entrance cable.
- D. Interior telephone system will be furnished by owner's vendor.
- E. Special backboxes (unless otherwise noted) and faceplates will be furnished by the owner's vendor.

PART 2 - PRODUCTS

2.01 MATERIALS

- A. Provide 4-11/16" square boxes, with plaster rings. Provide device plates for telephone outlets to match those specified in wiring device section. Provide separate conduit to nearest accessible ceiling space from each outlet.
- B. Minimum conduit size shall be 3/4" .
- C. Provide lightning arrester for telephone service entrance at main telephone backboard in accordance with UL96A paragraph 11.2 and NFPA 780.
- D. Cable shall be in conduit where installed in walls or above inaccessible ceiling spaces.

PART 3 - EXECUTION

3.01 INSTALLATION

- A. Provide one #10 equivalent nylon pull wire in each empty telephone conduit.
- B. Provide trenching, backfilling, etc., for installation of service entrance conduit in accordance with other divisions, plans, and telephone utility requirements. Provide pull wire in empty conduit.
- C. Coordinate with the local utility for point of service and type of service required. Pay for any utility company charges and fees for establishment of service.
- D. Provide a complete raceway system in accordance with telephone utility company and interior system vendor/utility requirements. Telephone utility company and interior system vendor shall review the drawings. Contractor shall provide for any additional or varying requirements.
- E. Terminate each conduit stub-up or termination with nylon insulated bushings.
- F. Final connections and testing of system will be provided by the system vendor. Contractor shall contact the owner and vendor and schedule the work.

CLOSE OUT DOCUMENT REQUIREMENTS

Provide the following to the building owner upon completion of construction:

- 1. Submittal data stating equipment rating and selected options for each piece of equipment requiring maintenance.
- 2. Operation manuals and maintenance manuals for each piece of equipment requiring maintenance. Required routine maintenance actions shall be clearly identified.
- 3. Names and addresses of at least one qualified service agency.
- 4. Complete narrative of how each system is intended to operate.



Chick-fil-A
5200 Buffington Road
Atlanta, Georgia
30349-2998

INTERPLAN
INTERPLAN LLC

AR0011595
CA 8660

**ARCHITECTURE
ENGINEERING
PERMITTING**

220 E. CENTRAL PKWY, STE 4000
ALTAMONTE SPRINGS, FL 32701
407.645.5008

SEAL:



CHICK-FIL-A
Washington RD

3066 Washington RD
Augusta, GA 30907

FSR#00825
BUILDING TYPE / SIZE: P13 SE ALL
RELEASE: 21.05

REVISION SCHEDULE

NO.	DATE	DESCRIPTION

CONSULTANT PROJECT # 2020.0739

PRINTED FOR FOR CONSTRUCTION

DATE 06/24/21

DRAWN BY MI

Information contained on this drawing and in all digital files produced for above named project may not be reproduced in any form without express written or verbal consent from authorized project representatives.

**ELECTRICAL
SPECIFICATIONS**

SHEET NUMBER

E-902

JONLOP - 02/17/2022 3:02:30 PM

FOR CONSTRUCTION

COPYRIGHT © 2020 INTERPLAN LLC. RESERVES COPYRIGHT & OTHER RIGHTS RESTRICTING THESE DOCUMENTS TO THE ORIGINAL SITE OR PURPOSE FOR WHICH THEY WERE PREPARED. REPRODUCTIONS, CHANGES OR ASSIGNMENTS ARE PROHIBITED.

SECTION C16100
ELECTRICAL GENERAL PROVISIONS

PART 1 - GENERAL

1.01 WORK INCLUDED
A. Provide all materials, labor and equipment required to furnish and install a complete electrical system as indicated on drawings and as specified herein.

1.02 REGULATORY REQUIREMENTS
A. Equipment furnished shall be UL listed where such label is available. Installation shall conform to UL standards where applicable.

B. Electrical work shall be installed in accordance with drawings and specifications, NEC and NFPA codes in effect at project location, state and local electrical and building codes and special codes having jurisdiction over specific portions within complete installation.

C. Obtain permits and certificates of approval from all authorities having jurisdiction over the installation and pay all fees required.

1.03 SUBMITTALS
A. Submit list of materials and equipment prior to manufacture, order or installation and within twenty days after award of contract for approval. Include each item of material and equipment, including or not shop drawings are also required. List shall include name of manufacturer, catalog number and other complete identification as well as dimensions and detailed data. Submittals shall be included for the following:
1. Lighting Fixtures
2. Panelboards/Breakers
3. Wiring Devices and Device Plates
4. Enclosed Switches

B. Certified shop drawings and submittals shall bear stamp of approval of contractor as evidence that drawings have been checked. Drawings submitted without this stamp of approval will not be considered and will be returned for proper resubmission.

C. If submittals show variances or substitutions from requirements of contract, contractor shall make specific mention of such variation in his letter of transmittal in order that, if acceptable, suitable action may be taken for proper adjustment. Otherwise contractor shall not be relieved of responsibility for executing work in accordance with contract even though such submittals have been approved.

1.04 SITE VISIT
A. Visit job site prior to bid date to determine actual conditions under which work shall be done, to familiarize oneself with project and to verify total scope of work required. Failure to do so shall not constitute a reason for an extra charge.

SECTION C16101
BASIC MATERIALS AND METHODS

PART 1 - GENERAL

1.01 COORDINATION
A. Obtain and review shop drawings, product data, and manufacturer's instructions for equipment furnished under these sections to determine connection locations and requirements.

B. Sequence rough-in of electrical connections to coordinate with installation and start-up of equipment furnished under other sections.

PART 2 - PRODUCTS

2.01 SUBSTITUTIONS
A. Where specifications list one or more manufacturers and do not include "or approved equal", furnish materials made by one of manufacturers listed. Where "or approved equal" is included, contractor may substitute equal products by another manufacturer subject to approval by engineer and owner.

PART 3 - EXECUTION

3.01 INSTALLATION
A. Make electrical connections to utilization equipment in accordance with equipment manufacturer's instructions.

B. Drawings are diagrammatic and shall not be scaled for exact sizes or locations, they are not intended to disclose absolute or unconditional knowledge of actual field conditions.

C. Protect work and materials from damage by weather, entrance of water and dirt. Cap conduit during installation. Avoid damage to materials and equipment in place.

D. Satisfactorily repair or remove and replace damaged work with new materials. Deliver equipment and materials to job site in original, unopened, labeled containers. Store ferrous materials to prevent rusting. Store finished materials and equipment to prevent staining and discoloring.

E. Trenches shall be excavated 6" below elevation of bottom of conduit.

F. Failure to route conduit through building without interfering with other equipment and construction shall not constitute a reason for an extra charge. Equipment, conduit and fixtures shall fit into available spaces in building and shall not be introduced into building at such times and manner as to cause damage to structure. Equipment requiring service shall be readily accessible.

3.02 TESTING AND EQUIPMENT SERVICING
A. Make test to ensure that entire system is in proper operating condition, and that adjustments and apparatus setting of circuit breakers, fuses, control equipment and apparatus have been made. Correct defects discovered during tests.

3.03 REMOVAL OF DEBRIS
A. Remove surplus materials and debris caused by, or incidental to, electrical work. Remove such debris at frequent intervals. Keep job clean during construction.

3.04 IDENTIFICATION OF EQUIPMENT
A. Identify electrical distribution equipment, disconnects, and contactors with black laminated plastic name-plates, attached with two screws, engraved with 1/4" high, white letters.

3.05 TEMPORARY LIGHTING AND POWER IN AREAS OF CONSTRUCTION
A. Provide, maintain and remove after construction is completed, temporary lighting adequate for workman safety and temporary power for all trades including any 3 phase power required.

B. Provide and maintain barricade lighting where required to adequately protect owner against liability for damage to public or personnel. All lamps used in barricade shall be 60 watt red, installed in weatherproof socket with wire guard. All wiring shall be approved for weatherproof installation.

3.06 GUARANTEE-WARRANTY
A. Guarantee work to be free from defects of materials and workmanship for a period of one year from date of final acceptance of building. Repair and replace defective work and other work damaged thereby which becomes defective during term of guarantee-warranty. Furnish owner with three written copies of guarantee-warranty.

SECTION C16120
RACEWAYS AND CONDUIT SYSTEMS

PART 1 - PRODUCTS

1.01 ACCEPTABLE MANUFACTURERS
A. Rigid (IMC) and EMT conduit shall be hot-dipped, galvanized, or electrically galvanized steel by Allied, Republic, Triangle, Wheatland, or approved equal.

B. PVC conduit shall be Corlon, schedule 40, 90 degrees C, rated, unless otherwise noted.

C. MC cable shall be manufactured by APC Cable Systems or approved equal. Type "AC-90" is not allowed. All MC Cables shall have a green equipment ground conductor and an additional isolated ground (green with yellow stripes) conductor for isolated ground circuits (IGS system). Fittings for connecting MC cable to boxes, cabinets, or other equipment shall be listed and identified for such use.

D. Associated couplings, connectors and fittings shall be steel as manufactured by Raco or equivalent. Catalog numbers used below are those of Raco.

E. Erickson Couplings, Series 1502, shall be used where neither length of conduit can be rotated.

F. Insulated bushings shall be series 1402.

G. EMT box connectors shall be compression or set-screw fittings.

H. Conduit, connectors, couplings and fittings shall be UL listed and labeled.

1.02 ELECTRICAL METALLIC TUBING (EMT)
A. Use Electrical Metallic Tubing (EMT) where drawings call for conduit to be:
1. Concealed in walls.
2. Installed above suspended ceilings.
3. Installed exposed, above 6 feet.
4. Installed for panelboard feeders above slab.

1.03 INTERMEDIATE METAL CONDUIT (IMC)
A. Use Intermediate Metal Conduit (IMC) where drawings call for conduit to be:
1. Installed for panelboard feeders ran below ground.
2. Installed in wet locations (interior and exterior).
3. Installed exposed below 6 feet.

1.04 POLYVINYL CHLORIDE (PVC) RACEWAY
A. Use PVC raceway for:
1. Underground service entrance conduits for telephone and power.
2. Exterior branch circuits installed underground.
3. Interior branch circuit conduits installed in or under concrete slab on ground floor.

1.05 RIGID STEEL CONDUIT (RSC)
A. Use Rigid Steel Conduit for:
1. Install underground for power Service Entrance elbows penetrating floor slab.
2. Exposed to physical damage.

1.06 FLEXIBLE METAL CONDUIT
A. Provide flexible metal conduit for termination at equipment subject to motion and vibration.
B. Length shall not exceed 6 feet in accessible ceiling areas.
C. Shall not be concealed in walls.

D. Where exposed to continuous or intermittent moisture, conduit shall be UL Type EF liquidtight or type as indicated.

E. For connection to ceiling mounted lighting fixtures from outlet boxes.

1.07 MC (METAL-CLAD) CABLE
A. MC Cable shall be UL listed per standard 1569, color coded copper conductors (type THHN), the sheathing shall be constructed of interlocking galvanized steel, and shall conform to the requirements of Article 330 of the National Electrical Code.

B. MC Cable with an isolated grounding conductor shall be used, concealed above ceiling and in walls, for the connection of the Point Of Sales (POS) system equipment from the isolated ground receptacles to the panelboard serving the POS loads when allowed by local codes and Article 330 of the National Electrical Code.

C. MC Cable may be used when allowed by local codes and Article 330 of the National Electrical Code for branch circuits (except the main homerun to the panelboard which shall be conduit with conductors) for the following:
1. Lighting
2. Dining area receptacles
3. Fly Lights
4. Building mounted signage
5. Office area receptacles

D. MC Cable shall not be used for branch circuits serving Kitchen Equipment Items and similar circuits in the Kitchen, the Drive-Thru area, and the Serving area's back counter.

PART 2 - EXECUTION

2.01 INSTALLATION
A. Minimum size of conduits shall be 1/2 inch.

B. Run concealed conduits in direct line with long sweep bends or offsets. Run exposed conduits parallel to and at right angles to building lines. Group multiple conduit runs in banks.

C. Cap ends of conduits to prevent entrance of water and other foreign material during construction.

D. Provide No. 12 AWG copper pull wires or nylon cord in all empty conduits. Steel wire not acceptable as pull wire.

E. Where IMC enters a cabinet, junction box, or pull box conductors shall be protected by an insulated bushing. Locknuts shall be installed on conduit outside and inside enclosure.

F. In areas where enclosed and gasketed fixtures and weatherproof devices are specified, where Rigid Conduit enters a sheet metal enclosure, junction box and outlet box, and not terminated in a threaded hub, a steel, or malleable iron nylon insulated hub, complete with recessed sealing "O" ring or sealing locknut shall be used.

G. Provide seal-off fitting in all conduits entering a cold temperature area such as freezers and dry refrigerators.

H. In concrete slabs, block up conduit from forms and securely fasten in place. All conduits in slabs shall have a minimum of 4" inches concrete coverage above.

I. Failure to route conduit through building without interfering with other equipment, and construction shall not constitute a reason for an extra charge. Equipment, conduit, and fixtures shall fit into available spaces in building and shall not be introduced into building at such times and manner as to cause damage to structure or equipment. Equipment requiring servicing shall be readily accessible.

2.02 EMT (ELECTRICAL METALLIC TUBING) RACEWAY
A. Do not use Electrical Metallic Tubing in cinder concrete or cinder fill or where conduit system is in contact with dissimilar metals or in wet locations.

2.03 PVC RACEWAY
A. Use threaded fittings for all connectors and adapters.
B. Provide 1/4-inch nylon pull rope in all primary power and incoming telephone service entrance conduits.

C. PVC conduit shall convert to galvanized rigid metal per detail on drawings.

2.04 FLEXIBLE METAL CONDUIT
A. Where fittings for liquid tight flexible conduit are brought into an enclosure with a knock-out, a gasket assembly, consisting of one piece "O" ring, with Buna-N sealing material, series 1400, shall be installed on outside of box. Fittings shall be made of either steel or malleable iron only, and shall have insulated throats or insulated bushings.

B. In wet locations, where final connections to motors and other equipment may be made with Flexible Metal Conduit, fittings shall be of steel or malleable iron only with insulated throats or insulated bushings, and shall be of wedge and screw type having an angular wedge fitting between convolutions of conduit.

2.05 MC CABLE
A. MC Cable may be used for branch circuits as noted in Part 1 above and where the local codes allow use of MC Cable. The installation shall conform to Article 330 of the National Electrical Code and shall be concealed in walls and above ceilings. (Exposed MC Cable will not be acceptable.)

B. MC Cables shall be secured and supported by the building structure per the National Electrical Code and any local code requirements. MC Cable shall not lay on ceilings.

SECTION C16121
CONDUCTORS

PART 1 - PRODUCTS

1.01 CONDUCTORS
A. Provide 98% conductivity copper conductors with 600-volt insulation. For conductors No. 12 AWG and No. 10 AWG, provide solid type. For all conductors No. 8 AWG and larger, provide stranded type. All conductors shall have THHN/THWN insulation unless noted otherwise.

B. Conductors shall be manufactured by Triangle, American, Rome, Southwire or approved equal.

C. Provide No. 14 AWG type THHN fixture conductors, for conductors entering lighting fixtures.

D. Branch circuit conductors shall be minimum #12 AWG, copper.

PART 2 - EXECUTION

2.01 INSTALLATION
A. Install pull boxes in circuits or feeders over 100 feet long.

B. Make all splices or connections only at outlet, pull or junction boxes.

C. All conductors and connections shall test free of grounds, shorts, and opens prior to energizing circuit.

D. Provide No. 10 wire in lieu of No. 12 wire for any branch circuit in excess of 100 feet linear length to prevent excessive voltage drop.

E. Use ideal wing nuts, Scotchlok Type Y, R, G, or B, or approved equivalent connectors for fixture connections at outlet boxes.

F. Make feeder taps and joints with OZ Type T, PT, PM or PTS, or approved equivalent clamp connectors as manufactured by Kupler, or with approved compression sleeves. Wrap connectors with No. 10 Electro-Seal or approved equivalent plastic filler and vinyl tape.

G. Leave a minimum of 8" slack wire in every outlet box.

H. Provide color coded wire and with a different color for each phase and neutral and ground as follows: Phase A, B, C: Black, Red and Blue respectively; Neutral: White; Isolated Ground: Green with Yellow Stripes. Approved color tape is acceptable for feeders using larger than #6 conductors.

I. All conductors shall be continuous from origin to panel or equipment termination without splices where possible. Where splices and taps are necessary or are required, they shall be made in splice boxes with suitable connectors.

J. Tighten all electrical connectors and terminals, including screws and bolts, in accordance with manufacturer's published torque tightening values. Where manufacturer's torquing requirements are not indicated, tighten connectors and terminals to comply with tightening torques specified in UL486A and UL486B.

SECTION C16122
OUTLET AND JUNCTION BOXES

PART 1 - GENERAL

1.01 PROJECT CONDITIONS
A. Verify field measurements are as shown on drawings.

B. Verify locations of floor boxes and outlets in work areas prior to rough-in.

PART 2 - PRODUCTS

2.01 OUTLET BOXES
A. Sheet metal outlet boxes: galvanized steel.

B. Cast boxes: type FS, cast fer alloy. Provide gasketed cover by box manufacturer.

C. Manufacturers: National, Appleton, General Electric, RACO, or Steel City.

D. Provide boxes for fixtures with fixture studs in center.

E. Outlet boxes for lighting, switches and receptacles in interior areas with exposed conduit shall be pressed steel and in exterior areas with exposed conduit shall be cast metal with threaded hubs, "FS" type. Use galvanized steel for concealed boxes. Boxes shall be 1-1/2" deep minimum.

2.02 PULL AND JUNCTION BOXES
A. Sheet metal boxes: galvanized steel.

B. Surface-mounted cast metal box: type 4; flat-flanged, surface-mounted junction box.

1. Material: galvanized cast iron.
2. Cover: furnish with ground flange, neoprene gasket, and stainless steel cover screws.

C. In-ground cast metal box: inside flanged, recessed cover box for flush mounting.
1. Material: galvanized cast iron.
2. Cover: furnish with ground flange, neoprene gasket and stainless steel cover screws.
3. Cover legend: electric.

D. Manufacturers: National, Appleton, General Electric, RACO, Oz-Gedney or Steel City.

PART 3 - EXECUTION

3.01 INSTALLATION
A. Install electrical boxes as shown on drawings, and as required for splices, taps, wire pulling, equipment connections and compliance with regulatory requirements.

B. Install pull boxes and junction boxes above accessible ceilings.

C. In accessible ceiling areas: Install outlet and junction boxes no more than 6 inches from ceiling access panel or from removable recessed light fixture.

D. Use flush mounting outlet boxes in finished areas.

E. Use stamped steel bridges to fasten flush mounting outlet box between studs.

F. Install flush mounted box without damaging wall insulation or reducing its fire rating.

G. Use adjustable steel channel fasteners for hung ceiling outlet box.

H. Do not fasten boxes to ceiling support wires.

I. Support boxes independently of conduit, except cast box that is connected to two Rigid Metal Conduits both supported within 12 inches of box.

J. Use gang box where more than one device is mounted together. Do not use sectional box.

K. Use gang box with plaster ring for single device outlets.

L. Use cast outlet box in exterior locations and wet locations.

3.02 OUTLET BOXES
A. Select boxes according to intended use and type of outlet. Ceiling outlet boxes shall be 4" octagon and 1-1/2" deep. Use 2-1/8" deep octagon boxes or 4" square boxes required. All ceiling outlet boxes shall have a fixture stud of no bolt self-locking type installed if required to hang the fixture specified at the outlet.

3.03 JUNCTION BOXES
A. Junction boxes shall be sized according to number of conductors in box or type of service to be provided. Minimum junction box size 4-1/16" square and 2-1/8" deep. Provide screw covers for junction boxes.

B. Use code gauge steel with screw covers for pull boxes with prime coat and provide with screw cover. Size pull boxes according to the NEC.

C. Provide pull box every 100 feet of conduit run or where excessive number of bends necessitates a box for ease of wire installation.

SECTION C16123
GROUNDING AND BONDING

PART 1 - PRODUCTS

1.01 ROD ELECTRODES
A. Material: copper-clad steel.

B. Diameter: 3/4 inch.

C. Length: 10 feet.

1.02 MECHANICAL CONNECTORS
A. Material: bronze.

1.03 GROUNDING CONDUCTOR (WIRE)
A. Material: stranded copper, sized to meet NFPA 70, Article 250 requirements.

PART 2 - EXECUTION

2.01 INSTALLATION
A. Install rod electrodes at locations indicated. Install additional rod electrodes as required to achieve resistance to ground of less than 25 ohms.

B. Provide grounding electrode conductor and connect to reinforcing steel in foundation footing.

C. Provide bonding to meet regulatory requirements.

D. Bond together each metallic raceway, pipe, duct and other metal objects.

E. Provide isolated grounding conductor for circuits supplying all isolated ground outlets. Insulation shall be green with yellow stripe. Size per NEC Table 250.66. This isolated grounding conductor shall run in addition to equipment grounding conductor and along with the branch circuit conductors.

2.02 GROUNDING
A. Ground electrical system in accordance with NEC Article 250 and local authorities having jurisdiction.

B. Install a #3/0 bare copper wire bond across the water meter attached to ground clamps on water line on each side of meter. Arrangements shall be made to do this work at the time the water meter is installed.

C. From the point of entrance of the water main into the building and on the meter side of the main inside water valve and union install a stranded copper cable #3/0 in 1-1/4" conduit to the main distribution panel. Connect the cable to the equipment ground bus.

D. Install a green equipment grounding conductor in each raceway, sized per NEC Table 250-122. Terminate on equipment ground bus within panelboard serving load.

E. Install #6 awg copper grounding conductor from ground bar in main telephone box to inter system bonding termination to grounded neutral bus in main distribution panel.

F. All separate grounding electrode conductors shall be bonded together to limit potential differences between them and between their associated wiring systems. This includes the power system, telephone system, etc.

2.03 FIELD QUALITY CONTROL
A. Inspect grounding and bonding system conductors and connections for tightness and proper installation.



Chick-fil-A
5200 Buffington Road
Atlanta, Georgia
30349-2998

INTERPLAN
INTERPLAN LLC
AR0011595
CA 8660

ARCHITECTURE
ENGINEERING
PERMITTING

220 E. CENTRAL PKWY, STE 4000
ALTA MONTI SPRINGS, FL 32701
407.645.5008

SEAL:



CHICK-FIL-A
Washington RD
3066 Washington RD
Augusta, GA 30907

FSR#00825
BUILDING TYPE / SIZE: P13 SE ALL
RELEASE: 21.05

REVISION SCHEDULE		
NO.	DATE	DESCRIPTION

CONSULTANT PROJECT #	
	2020.0739
PRINTED FOR	
	FOR CONSTRUCTION
DATE	
	06/24/21
DRAWN BY	
	MI

Information contained on this drawing and in all digital files produced for above named project may not be reproduced in any manner without express written or verbal consent from authorized project representatives.

SHEET
ELECTRICAL
SPECIFICATIONS

SHEET NUMBER

E-901
JONLOP - 02/17/2022 3:02:37 PM

FOR CONSTRUCTION

COPYRIGHT © 2020 INTERPLAN LLC. RESERVES COPYRIGHT & OTHER RIGHTS RESTRICTING THESE DOCUMENTS TO THE ORIGINAL SITE OR PURPOSE FOR WHICH THEY WERE PREPARED. REPRODUCTIONS, REPRODUCTIONS OR ASSIGNMENTS ARE PROHIBITED.

BIM 360/IGA_00825_Washington Road FSL_2021.6_FSR00825_Washington Road FSL_ELE.rvt
2/17/2022 1:27:10 PM
50-SE-00825-E-901-ELECTRICAL SPECIFICATIONS