

**HOOD INFORMATION - JOB#5683702**

HOOD NO	TAG	MODEL	MANUFACTURER	LENGTH	MAX COOKING TEMP	TYPE	APPLIANCE DUTY	DESIGN CFM/FT	TOTAL EXH CFM	EXHAUST PLENUM RISER(S)						TOTAL SUPPLY CFM	HOOD CONSTRUCTION	HOOD CONFIG	
										WIDTH	LENG	HEIGHT	DIA	CFM	VEL			SP	END TO END
1	HOOD - LEFT	6024 ND-2-PSP-F	CAPTIVEAIRE	8' 9"	600 DEG	I	HEAVY	230	2012	12"	15'	4'	2012	1610	-0.735"	1610	430 SS WHERE EXPOSED	LEFT	ALONE
2	HOOD - RIGHT	6024 ND-2-PSP-F	CAPTIVEAIRE	8' 9"	600 DEG	I	HEAVY	230	2012	12"	15'	4'	2012	1610	-0.735"	1610	430 SS WHERE EXPOSED	RIGHT	ALONE

**PATENT NUMBERS**

AC-PSP (UNITED STATES) - US PATENT 7963830 B2.  
 AC-PSP WALL (CANADA) - CA PATENT 2820509.  
 AC-PSP ISLAND (CANADA) - CA PATENT 2520330.

**HOOD INFORMATION**

HOOD NO	TAG	FILTER(S)				LIGHT(S)				UTILITY CABINET(S)				FIRE SYSTEM PIPING	HOOD HANGING WEIGHT		
		TYPE	QTY	HEIGHT	LENGTH	EFFICIENCY @ 7 MICRONS	QTY	TYPE	WIRE GUARD	LOCATION	SIZE	FIRE SYSTEM	ELECTRICAL			SWITCHES	
1	HOOD - LEFT	CAPTRATE SOLID FILTER	6	20"	16"	85% SEE FILTER SPEC	3	RECESSED ROUND	NO	LEFT	12"x60"x24"	TANK FS	4.0/4.0/4.0	DCV-2111	1 LIGHT 1 FAN	YES	974 LBS
2	HOOD - RIGHT	CAPTRATE SOLID FILTER	6	20"	16"	85% SEE FILTER SPEC	3	RECESSED ROUND	NO							YES	538 LBS

**HOOD OPTIONS**

HOOD NO	TAG	OPTION
1	HOOD - LEFT	FIELD WRAPPER 23.00" HIGH FRONT, LEFT.
		BACKSPLASH 80.00" HIGH X 222.00" LONG 430 SS VERTICAL.
		BACKSPLASH 126.00" HIGH X 18.00" LONG 430 SS VERTICAL.
		BACKSPLASH 126.00" HIGH X 18.00" LONG 430 SS VERTICAL.
		LEFT QUARTER END PANEL 23" TOP WIDTH, 0" BOTTOM WIDTH, 23" HIGH 430 SS. SENSDR-CV.
2	HOOD - RIGHT	FIELD WRAPPER 23.00" HIGH FRONT, RIGHT.
		RIGHT QUARTER END PANEL 23" TOP WIDTH, 0" BOTTOM WIDTH, 23" HIGH 430 SS. SENSDR-CV.

**PERFORATED SUPPLY PLENUM(S)**

HOOD NO	TAG	POS	LENGTH	WIDTH	HEIGHT	TYPE	RISER(S)			
							WIDTH	LENG	DIA	CFM
1	HOOD - LEFT	Front	117'	16'	6'	MUA	12"	28"	805	0.208"
							12"	28"	805	0.208"
2	HOOD - RIGHT	Front	105'	16'	6'	MUA	12"	28"	805	0.241"
							12"	28"	805	0.241"

**SPECIFICATION: CAPTRATE® GREASE-STOP® SOLID FILTER**

THE CAPTRATE GREASE-STOP SOLID FILTER IS A SINGLE-STAGE FILTER FEATURING A UNIQUE S-BAFFLE DESIGN IN CONJUNCTION WITH A SLOTTED REAR BAFFLE DESIGN, TO DELIVER EXCEPTIONAL FILTRATION EFFICIENCY.

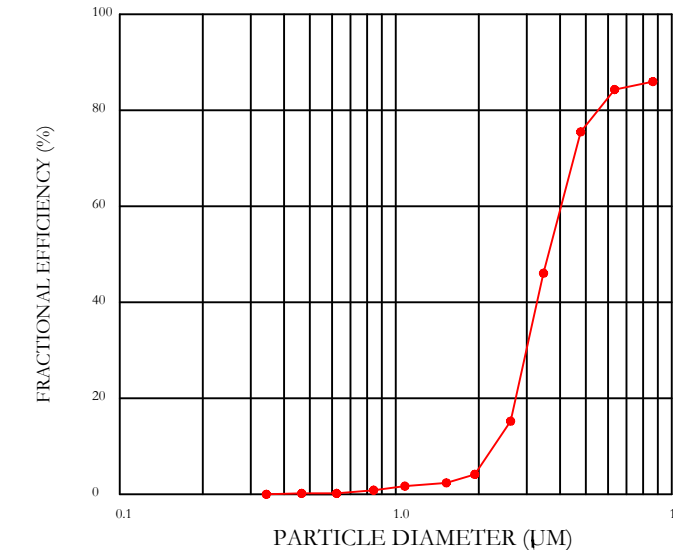
FILTER IS STAINLESS STEEL CONSTRUCTION, AND SIZED TO FIT INTO STANDARD 2-INCH DEEP HOOD CHANNEL(S).

UNITS SHALL INCLUDE STAINLESS STEEL HANDLES AND A FASTENING DEVICE TO SECURE THE TWO COMPONENTS WHEN ASSEMBLED.

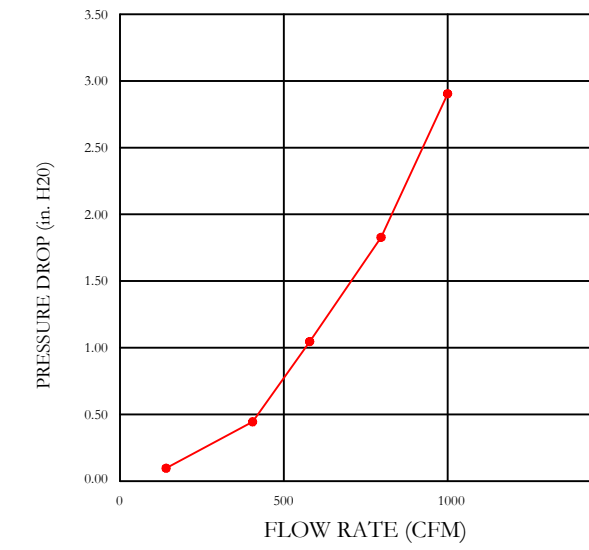
GREASE EXTRACTION EFFICIENCY PERFORMANCE SHALL REMOVE AT LEAST 75% OF GREASE PARTICLES FIVE MICRONS IN SIZE, AND 85% GREASE PARTICLES SEVEN MICRONS IN SIZE AND LARGER, WITH A CORRESPONDING PRESSURE DROP NOT TO EXCEED 1.0 INCHES OF WATER GAUGE.

THE CAPTRATE GREASE-STOP SOLID WAS TESTED TO ASTM STANDARD ASTM F2519-05, MANUFACTURER APPROVED FOR USE IN LIQUID FUEL APPLICATIONS AS A SPARK ARRESTER.

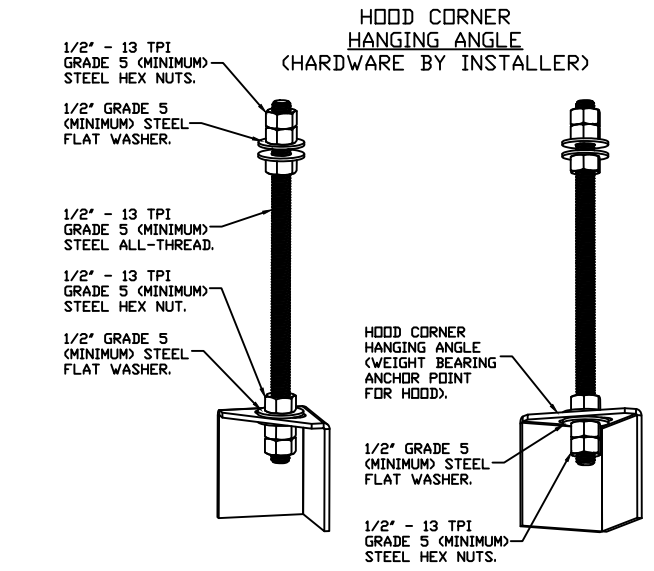
**EFFICIENCY VS. PARTICLE DIAMETER**



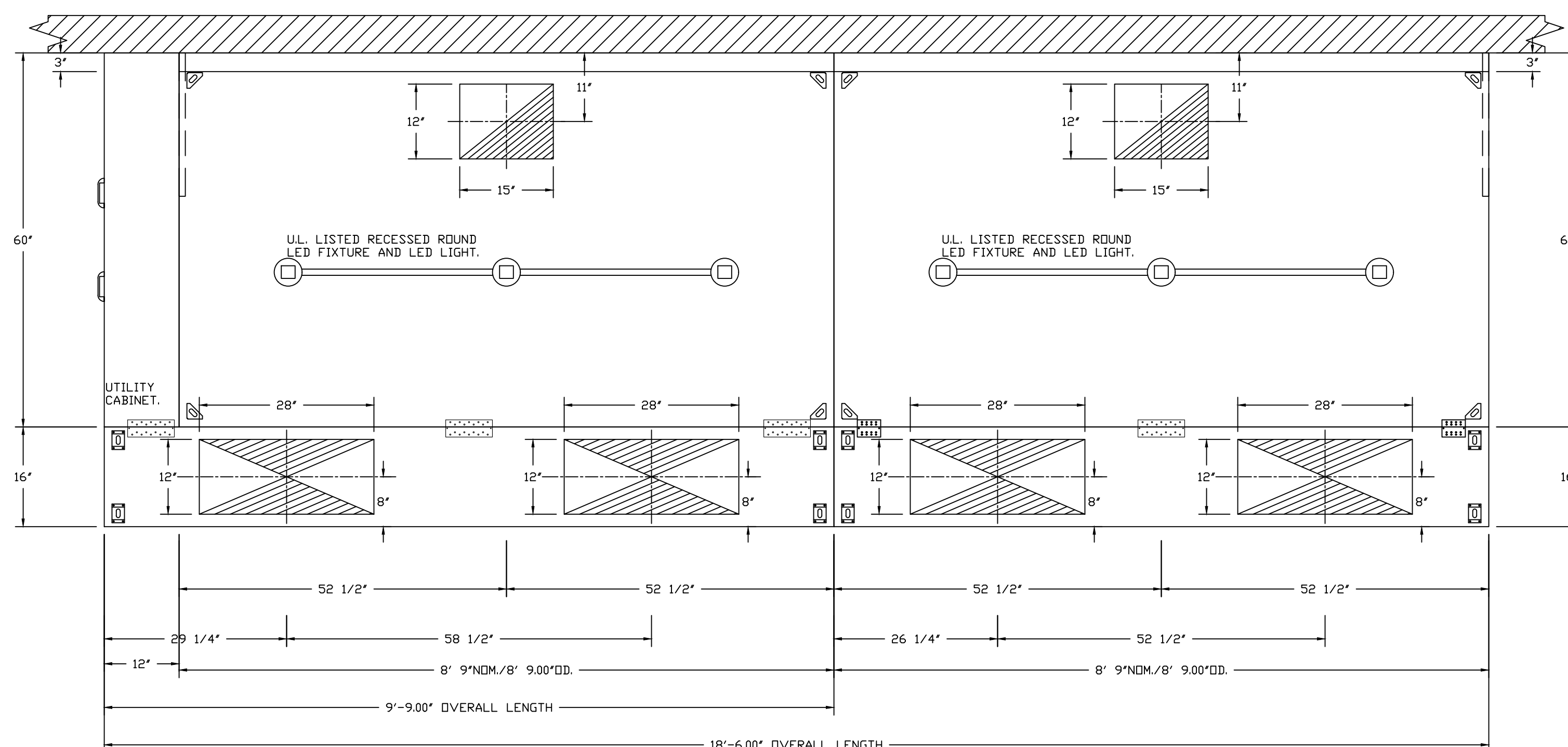
**PRESSURE DROP VS. FLOW RATE**



CAPTIVEAIRE FILTERS ARE BUILT IN COMPLIANCE WITH:  
 NFPA #96.  
 NSF STANDARD #2.  
 UL STANDARD #1046.  
 INT. MECH. CODE (IMC).  
 ULC-S649.

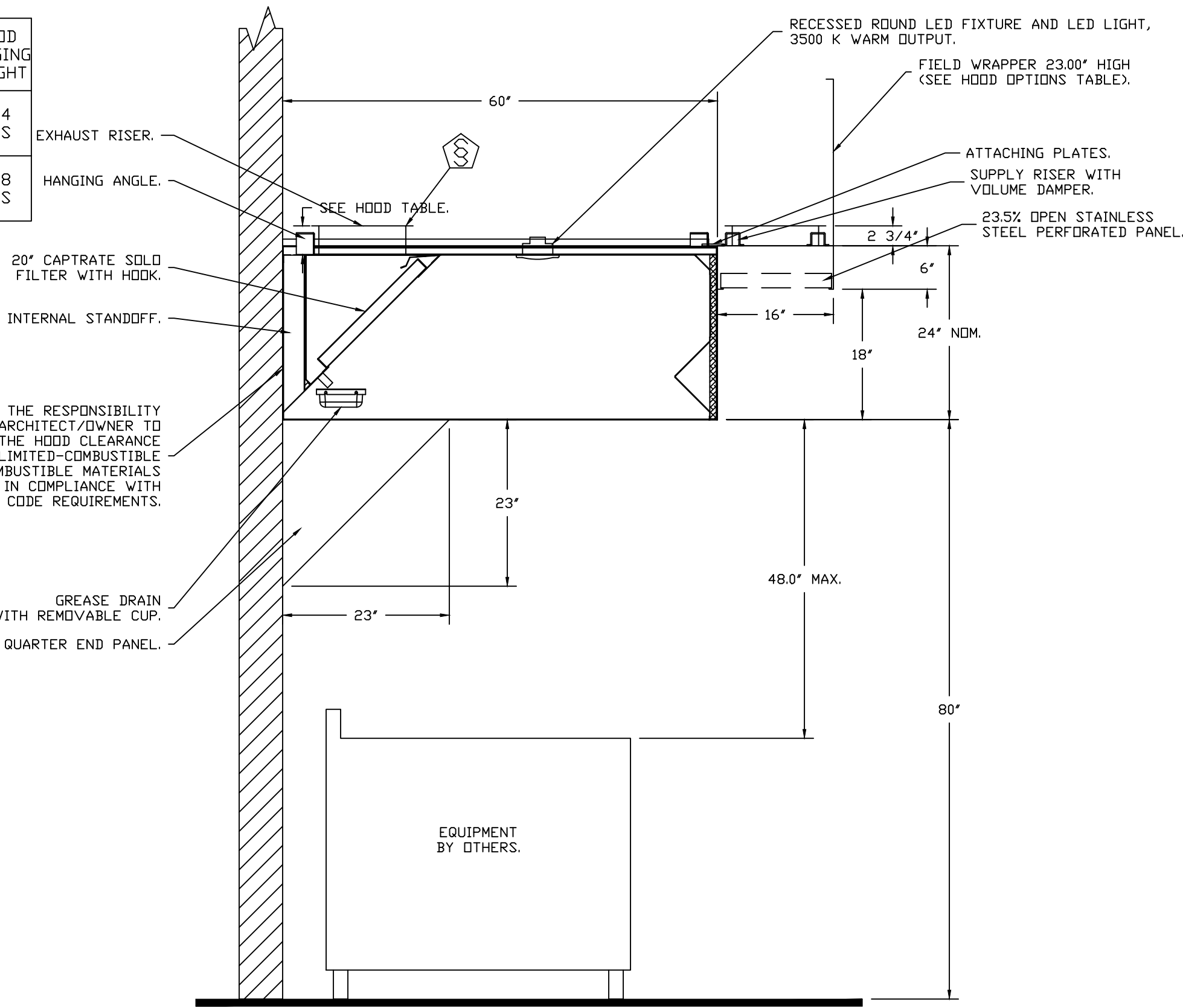


**ASSEMBLY INSTRUCTIONS**  
 HANGING ANGLE MUST BE SUPPORTED WITH 1/2" - 13 TPI GRADE 5 (MINIMUM) ALL-THREAD. SANDWICH HANGING ANGLES AND CEILING ANCHOR POINTS WITH 1/2" GRADE 5 (MINIMUM) STEEL FLAT WASHERS AND 1/2" - 13 TPI GRADE 5 (MINIMUM) HEX NUTS AS SHOWN. MUST USE DOUBLED HEX NUT CONFIGURATION BENEATH HOOD HANGING ANGLES AND ABOVE CEILING ANCHORS. MAINTAIN 1/4" OF EXPOSED THREADS BENEATH BOTTOM HEX NUT. TORQUE ALL HEX NUTS TO 57 FT-LBS.

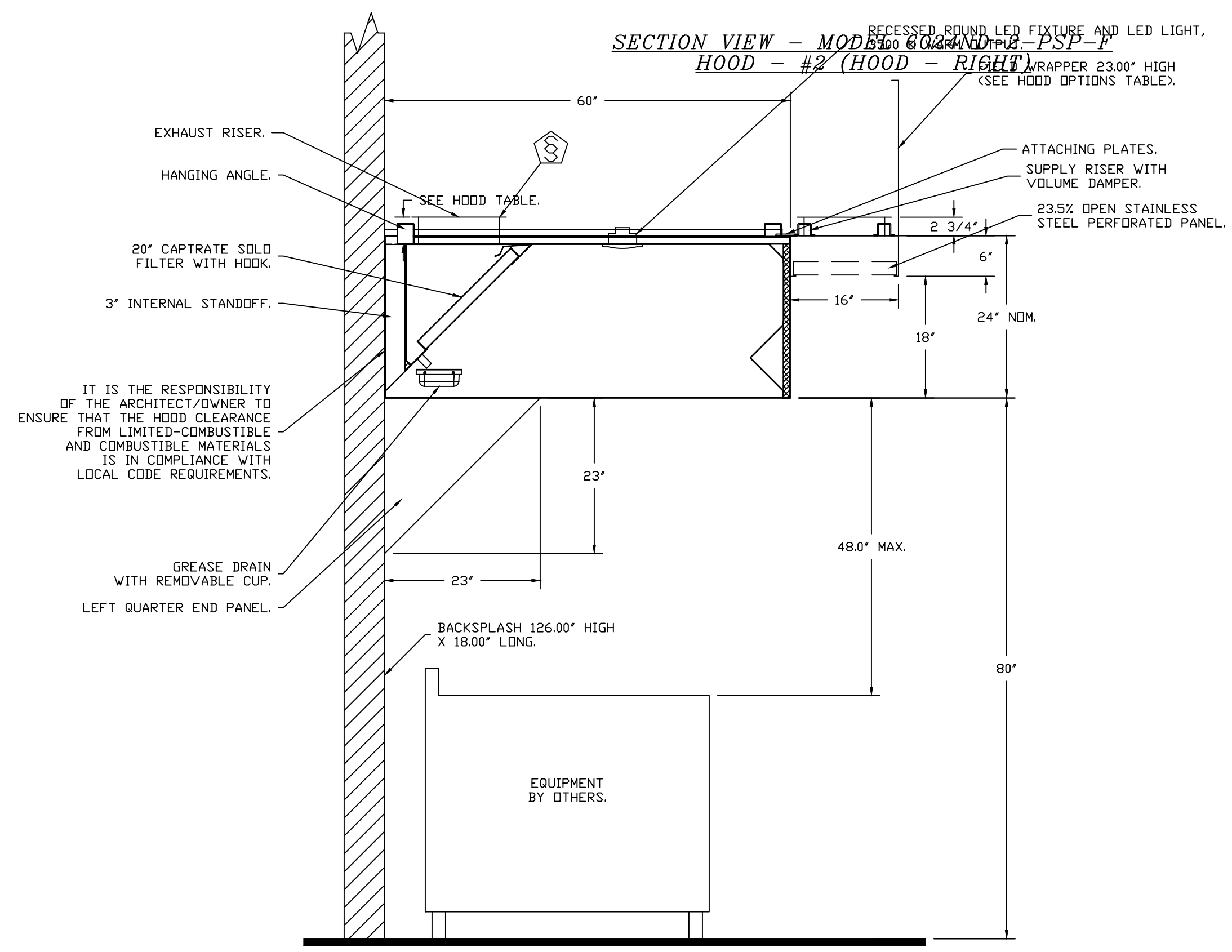


PLAN VIEW - HOOD #1 (HOOD - LEFT)  
 8' 9.00" LONG 6024ND-2-PSP-F

PLAN VIEW - HOOD #2 (HOOD - RIGHT)  
 8' 9.00" LONG 6024ND-2-PSP-F



SECTION VIEW - MODEL 6024ND-2-PSP-F  
 HOOD - #2 (HOOD - RIGHT)



SECTION VIEW - MODEL 6024ND-2-PSP-F  
 HOOD - #1 (HOOD - LEFT)

REVISIONS	
DESCRIPTION	DATE

**CAPTIVEAIRE**

Air Solutions  
 1329 East Kemper Rd., Ste. 4210, Cincinnati, OH, 45246 PHONE: (513) 860-5555 EMAIL: reg12@captivaire.com

BW (Bixby, OK)  
 East 115 Street, Corner of Memorial Dr & 115th St  
 Bixby, OK, 74008

DATE: 2/7/2023  
 DWG #: 5683702  
 DRAWN BY: jcirilli  
 SCALE: 3/4" = 1'-0"  
 MASTER DRAWING

SHEET NO. 1

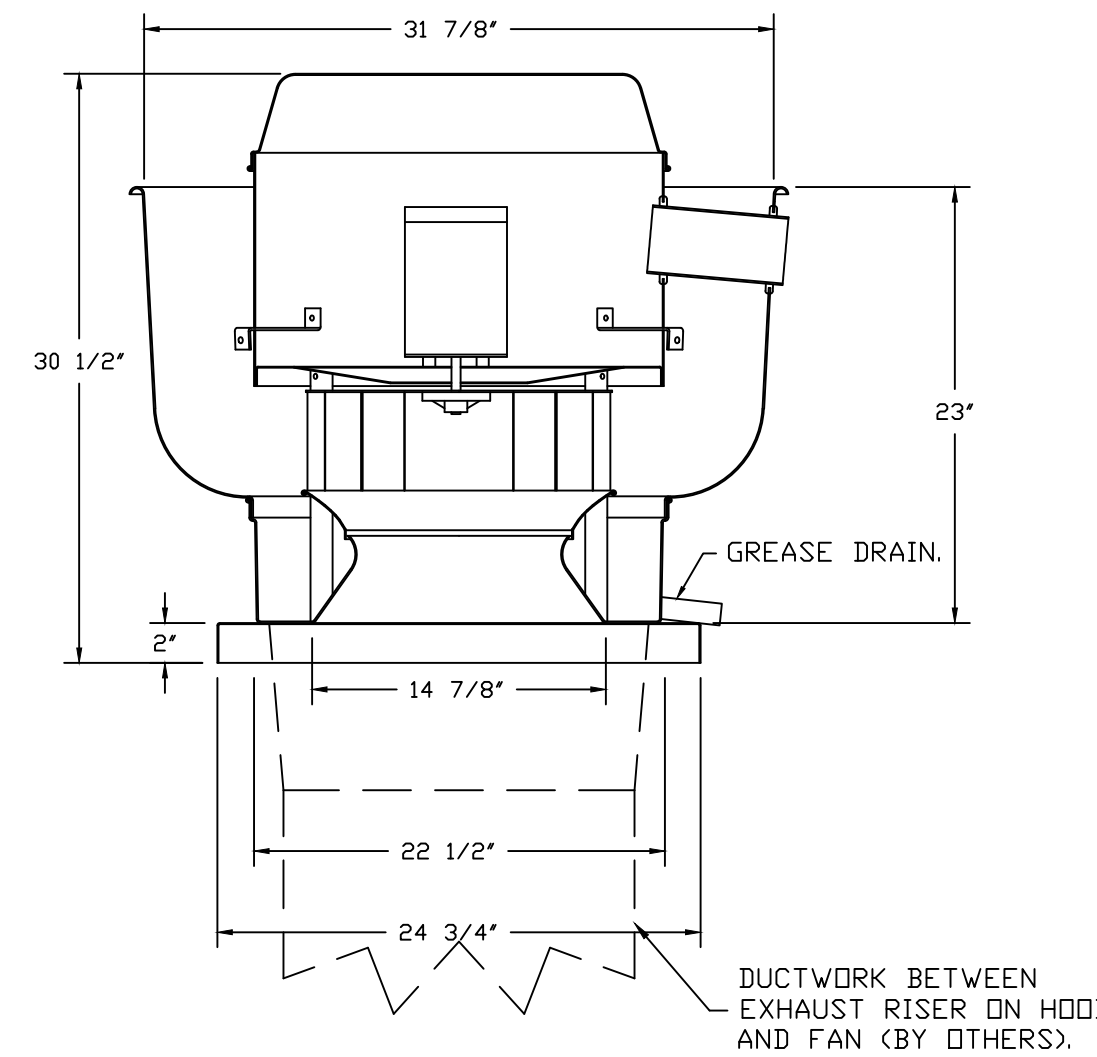
**EXHAUST FAN INFORMATION - JOB#5683702**

FAN UNIT NO	TAG	QTY	FAN UNIT MODEL #	MANUFACTURER	CFM	ESP	RPM	MOTOR ENCL	HP	BHP	PHASE	VOLT	FLA	DISCHARGE VELOCITY	WEIGHT (LBS)	SONES
1	EF-1	1	DUB5HFA	CAPTIVEAIRE	2012	1.400	1589	TEAD-ECM	1.000	0.7120	1	115	11.6	637 FPM	98	16.4
2	EF-2	1	DUB5HFA	CAPTIVEAIRE	2012	1.400	1589	TEAD-ECM	1.000	0.7120	1	115	11.6	637 FPM	98	16.4
4	EF-3	1	DR33HFA	CAPTIVEAIRE	500	0.350	1099	TEAD-ECM	0.333	0.0890	1	115	4.3		58	6.4

**FAN OPTIONS**

FAN UNIT NO	TAG	QTY	DESCRIPTION
1	EF-1	1	GREASE BOX
		1	FAN BASE CERAMIC SEAL - SHIP LOOSE - FOR GREASE DUCTS
		1	ECM WIRING PACKAGE - PWM SIGNAL FROM ECPM03 PREWIRE (TELCO MOTOR), CCW ROTATION
2	EF-2	1	2 YEAR PARTS WARRANTY
		1	GREASE BOX
		1	FAN BASE CERAMIC SEAL - SHIP LOOSE - FOR GREASE DUCTS
3	MUA-1	1	ECM WIRING PACKAGE - PWM SIGNAL FROM ECPM03 PREWIRE (TELCO MOTOR), CCW ROTATION
		1	2 YEAR PARTS WARRANTY
		1	INLET PRESSURE GAUGE, 0-35"
		1	MANIFOLD PRESSURE GAUGE, -5 TO 15" WC
		1	LDW FIRE START
		1	MOTORIZED BACKDRAFT DAMPER FOR A2-D HOUSING - MEETS AMCA CLASS 1A RATING
		1	7.5 TON 2 CIRCUIT (2.5/7.5) MODULAR PACKAGED COOLING OPTION FOR SIZE 2 DF/EH MUA (2,700 TO 4,500 CFM), 208V/230V, 3 PHASE. COOLING THERMOSTAT OR PROGRAMMABLE STAT REQUIRED FOR PROPER OPERATION
		1	DOWNTURN PLENUM FOR SIZE 2 DX COIL MODULE
		1	SEPARATE 120V WIRING PACKAGE (REQUIRED AND USED ONLY FOR DCV OR PREWIRE WITH VFD) - THREE PHASE ONLY
		1	SIZE 2 DIRECT FIRED HEATER LOW CFM PROFILE PACKAGE - USED ON HEATERS UNDER 2500 CFM
4	EF-3	1	BUTTERFLY MOD VALVE OPTION FOR MOD SIZE 2 (1" MOD VALVE)
		1	2 YEAR PARTS WARRANTY
		1	I 15-BDD DAMPER
		1	ECM WIRING PACKAGE - MANUAL OR 0-10VDC REFERENCE SPEED CONTROL -RTC- (TELCO MOTOR), CCW ROTATION
		1	2 YEAR PARTS WARRANTY

**FANS #1 (EF-1), #2 (EF-2) - DUB5HFA EXHAUST FAN**



**FEATURES:**

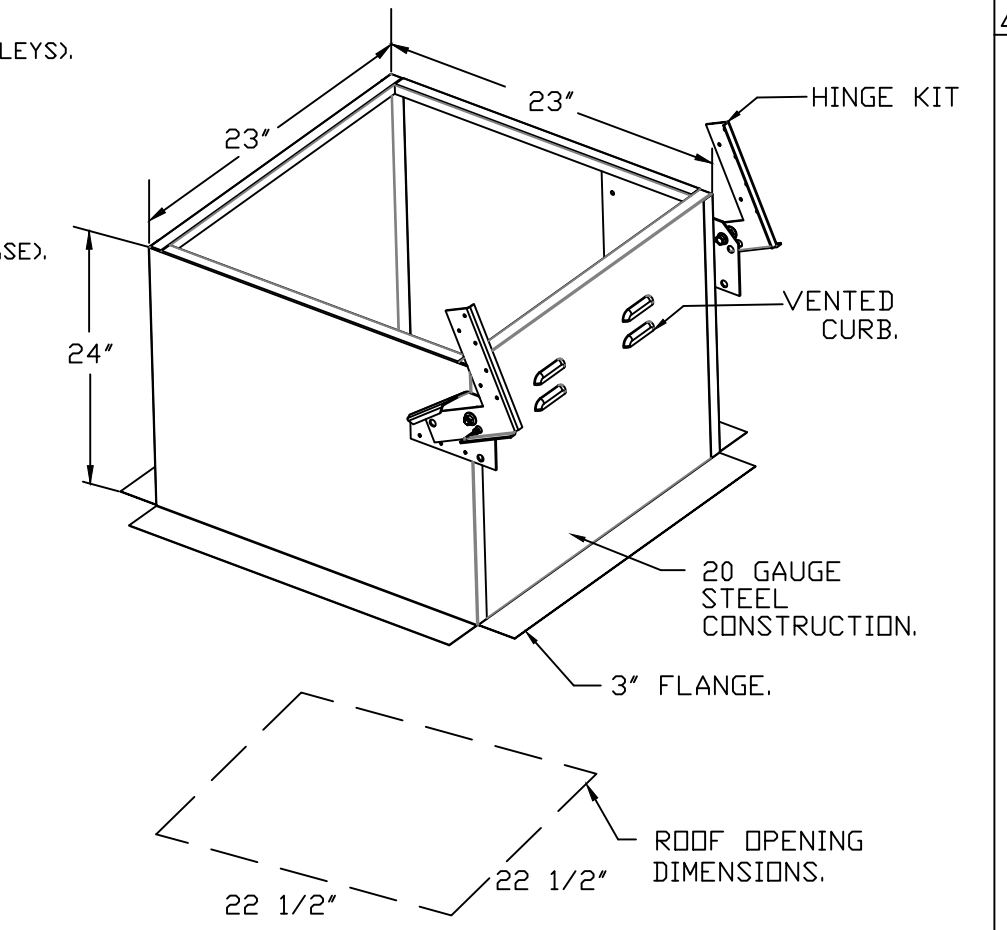
- DIRECT DRIVE CONSTRUCTION (NO BELTS/PULLEYS).
- ROOF MOUNTED FANS.
- RESTAURANT MODEL.
- UL705 AND UL762 AND ULC-S645
- VARIABLE SPEED CONTROL.
- INTERNAL WIRING.
- THERMAL OVERLOAD PROTECTION (SINGLE PHASE).
- HIGH HEAT OPERATION 300°F (149°C).
- GREASE CLASSIFICATION TESTING.
- NEMA 3R SAFETY DISCONNECT SWITCH.

**NORMAL TEMPERATURE TEST**  
EXHAUST FAN MUST OPERATE CONTINUOUSLY WHILE EXHAUSTING AIR AT 300°F (149°C) UNTIL ALL FAN PARTS HAVE REACHED THERMAL EQUILIBRIUM, AND WITHOUT ANY DETERIORATING EFFECTS TO THE FAN WHICH WOULD CAUSE UNSAFE OPERATION.

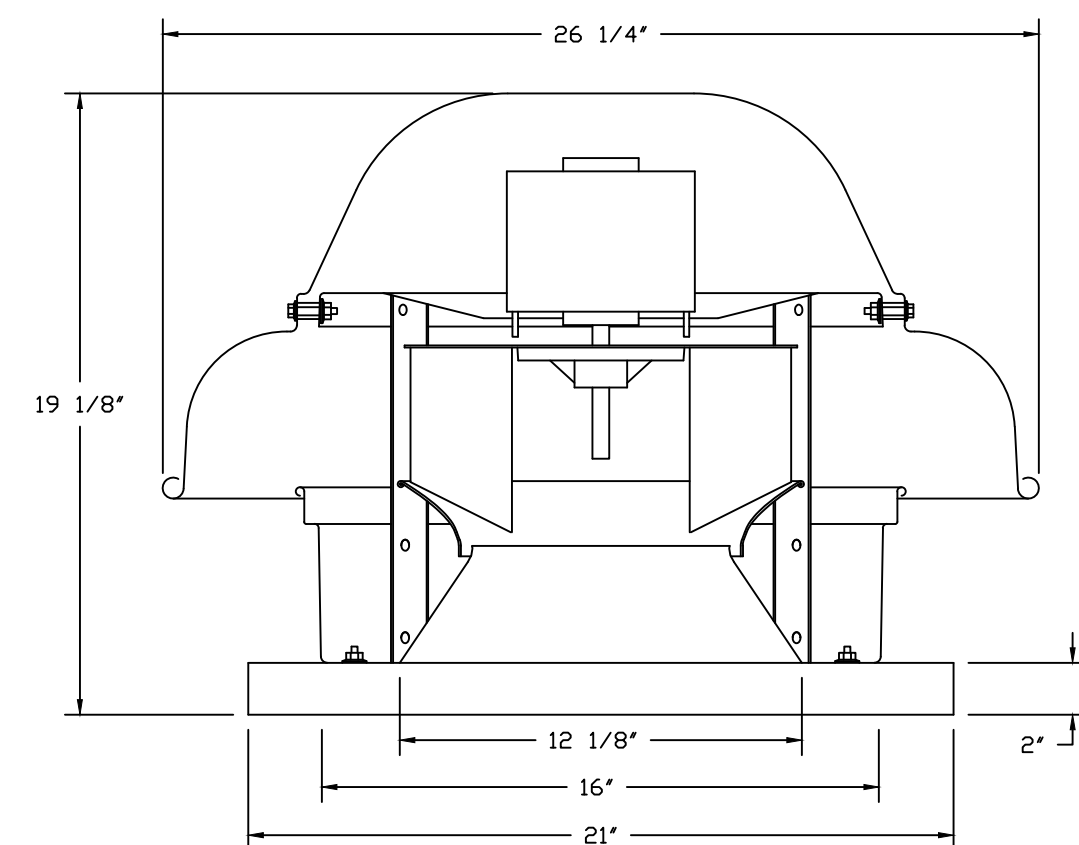
**ABNORMAL FLARE-UP TEST**  
EXHAUST FAN MUST OPERATE CONTINUOUSLY WHILE EXHAUSTING BURNING GREASE VAPORS AT 600°F (316°C) FOR A PERIOD OF 15 MINUTES WITHOUT THE FAN BECOMING DAMAGED TO ANY EXTENT THAT COULD CAUSE AN UNSAFE CONDITION.

**OPTIONS**

- GREASE BOX.
- FAN BASE CERAMIC SEAL - SHIP LOOSE - FOR GREASE DUCTS.
- ECM WIRING PACKAGE - PWM SIGNAL FROM ECPM03 PREWIRE (TELCO MOTOR), CCW ROTATION.
- 2 YEAR PARTS WARRANTY.



**FAN #4 DR33HFA - EXHAUST FAN (EF-3)**

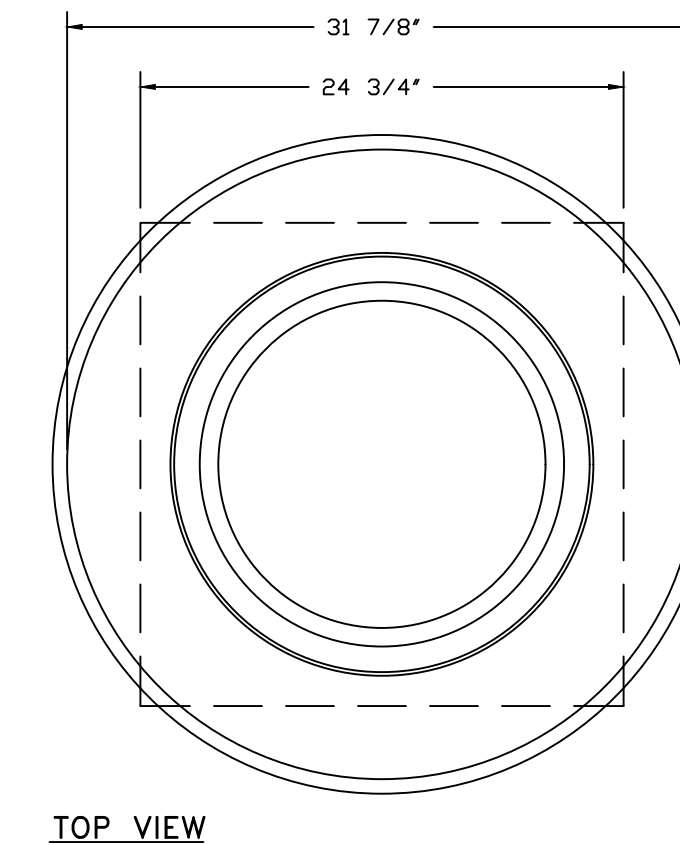
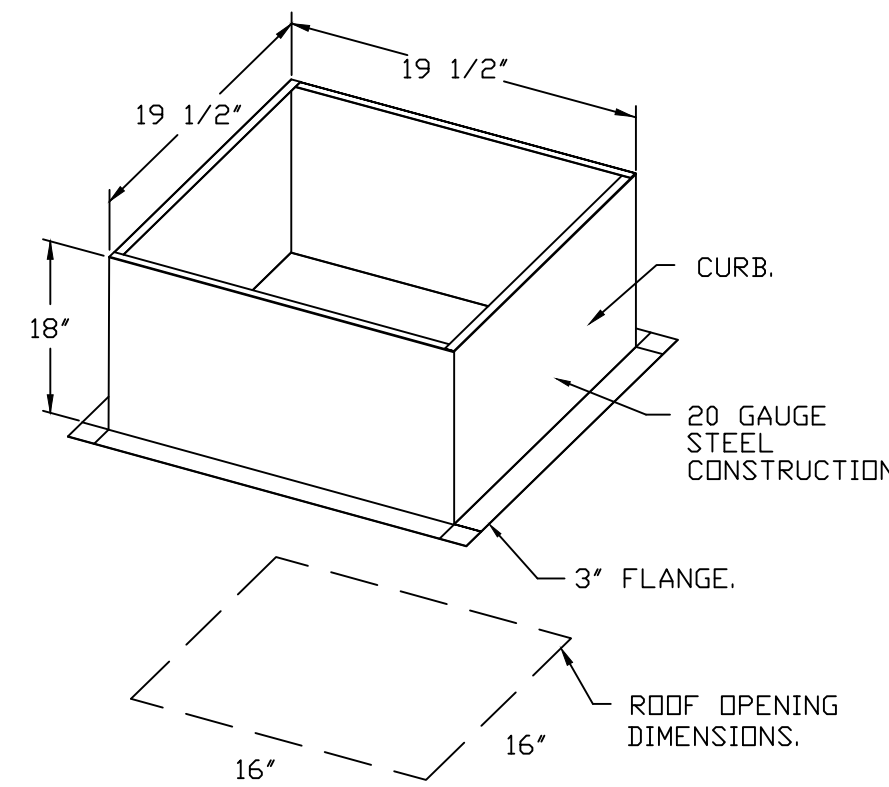


**FEATURES:**

- DIRECT DRIVE CONSTRUCTION (NO BELTS/PULLEYS).
- ROOF MOUNTED FANS.
- UL705.
- SAFETY DISCONNECT.
- STANDARD BIRD SCREEN.
- SPEED CONTROL.

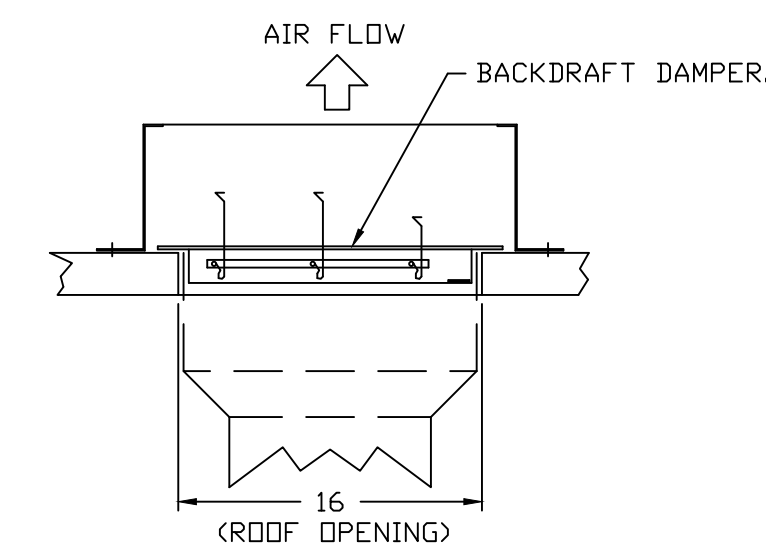
**OPTIONS**

- I 15-BDD DAMPER.
- ECM WIRING PACKAGE - MANUAL OR 0-10VDC REFERENCE SPEED CONTROL -RTC- (TELCO MOTOR), CCW ROTATION.
- 2 YEAR PARTS WARRANTY.



**TOP VIEW**

**BACKDRAFT DAMPER INSTALLATION**



**FAN ACCESSORIES**

FAN UNIT NO	TAG	EXHAUST				SUPPLY		
		GREASE CUP	GRAVITY DAMPER	WALL MOUNT	SIDE DISCHARGE	GRAVITY DAMPER	MOTORIZED DAMPER	WALL MOUNT
1	EF-1	YES						
2	EF-2	YES						
3	MUA-1						YES	
4	EF-3		YES					

**CURB ASSEMBLIES**

NO	DN FAN	TAG	WEIGHT	ITEM	SIZE
1	# 1	EF-1	41 LBS	CURB	23.000"W X 23.000"L X 24.000"H ALONG LENGTH, RIGHT VENTED HINGED.
2	# 2	EF-2	41 LBS	CURB	23.000"W X 23.000"L X 24.000"H ALONG LENGTH, RIGHT VENTED HINGED.
3	# 3		96 LBS	RAIL	6.000"W X 31.000"L X 14.000"H RIGHT.
3	# 3	MUA-1	96 LBS	CURB	31.000"W X 79.000"L X 14.000"H ALONG WIDTH, RIGHT INSULATED.
4	# 4	EF-3	20 LBS	CURB	19.500"W X 19.500"L X 18.000"H ALONG LENGTH, RIGHT.

**TOP VIEW**

**REVISIONS**

DESCRIPTION	DATE

**CAPTIVEAIRE**

**Air Solutions**

1329 East Kemper Rd., Ste. 4210, Cincinnati, OH, 45246 PHONE: (513) 860-5555 EMAIL: reg12@captivaire.com

BW (Bixby, OK)  
East 115 Street, Corner of Memorial Dr & 115th St  
Bixby, OK, 74008

**DATE:** 2/7/2023

**DWG.#:** 5683702

**DRAWN BY:** jcirilli

**SCALE:** 3/4" = 1'-0"

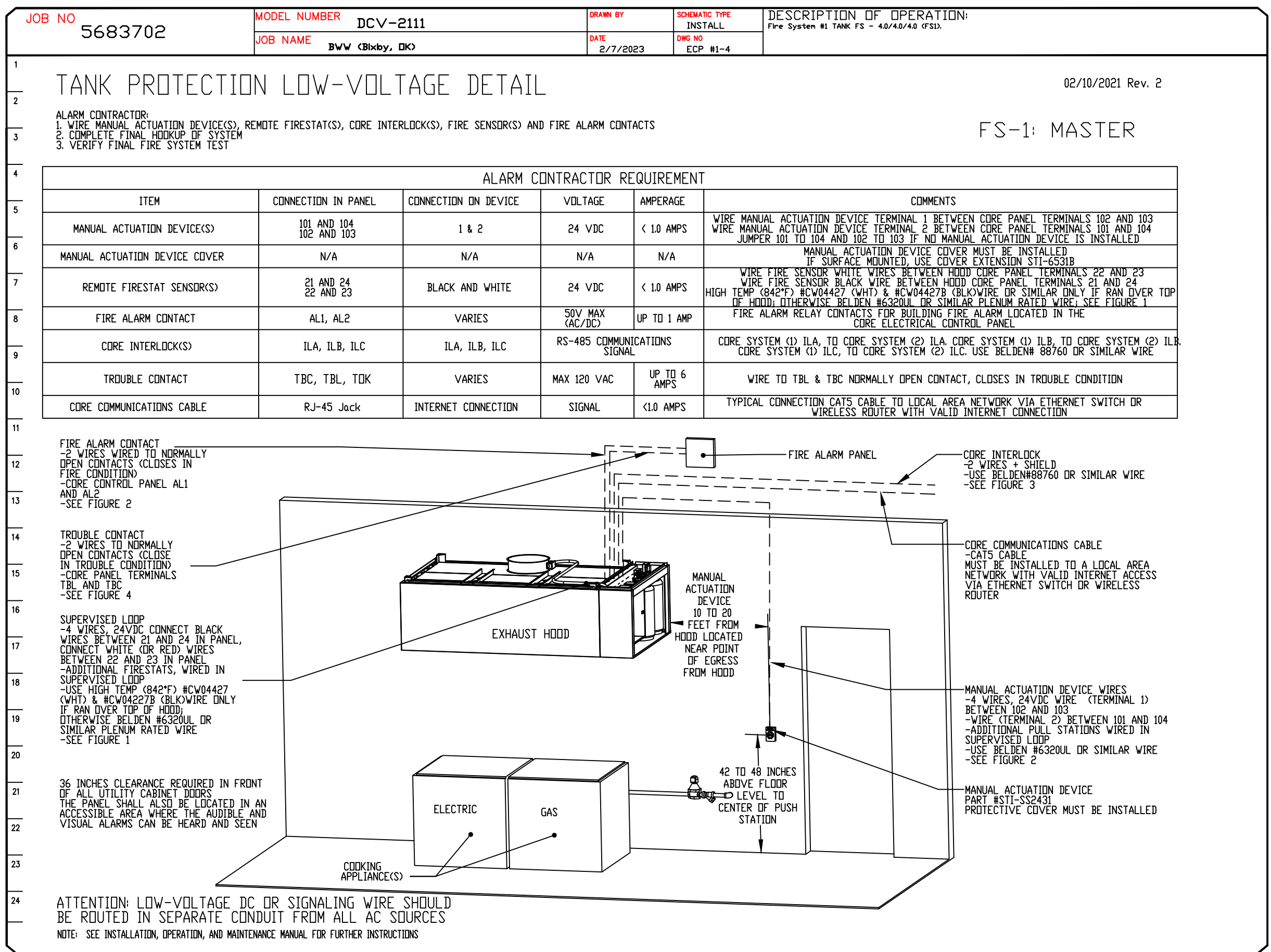
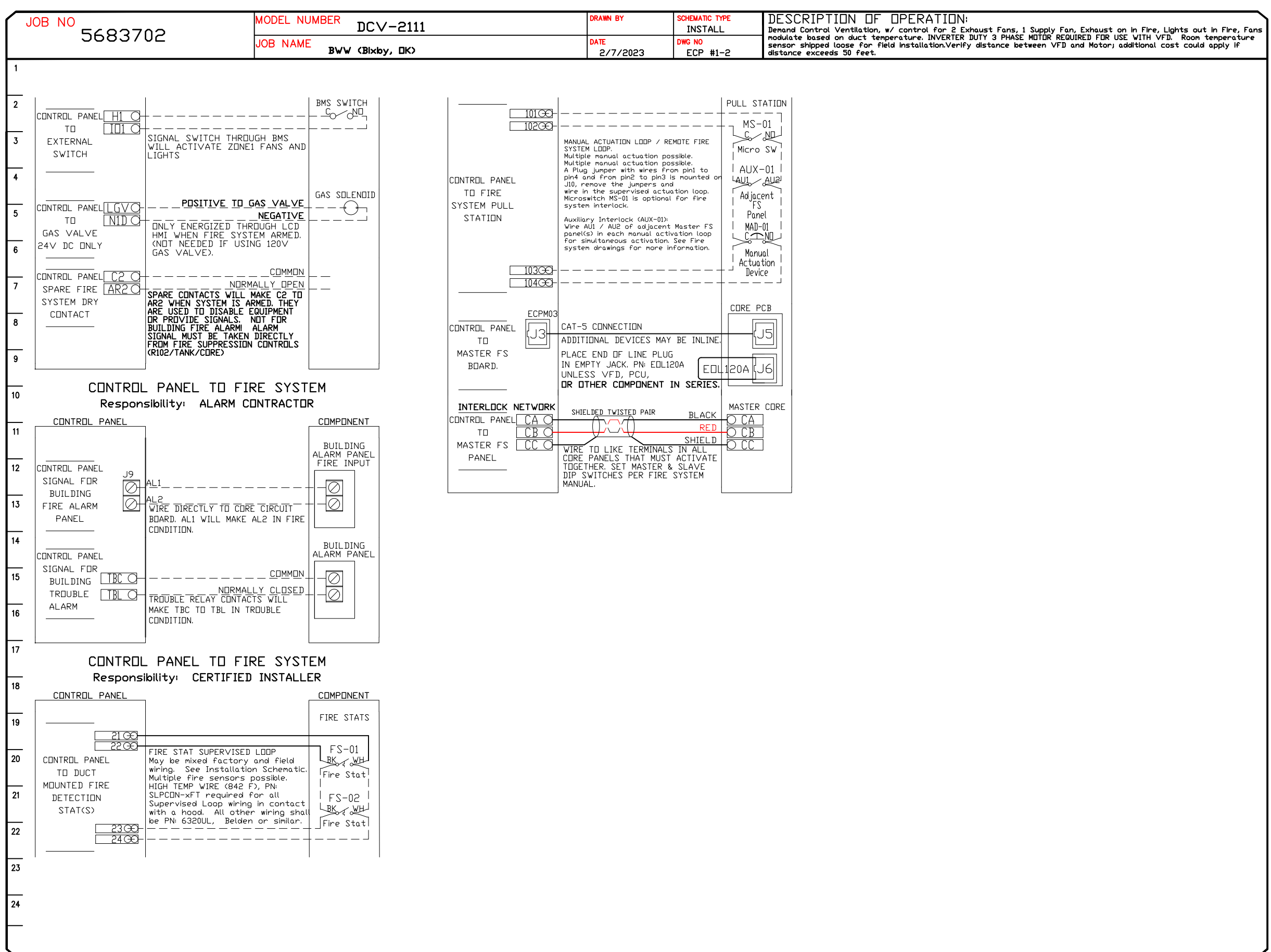
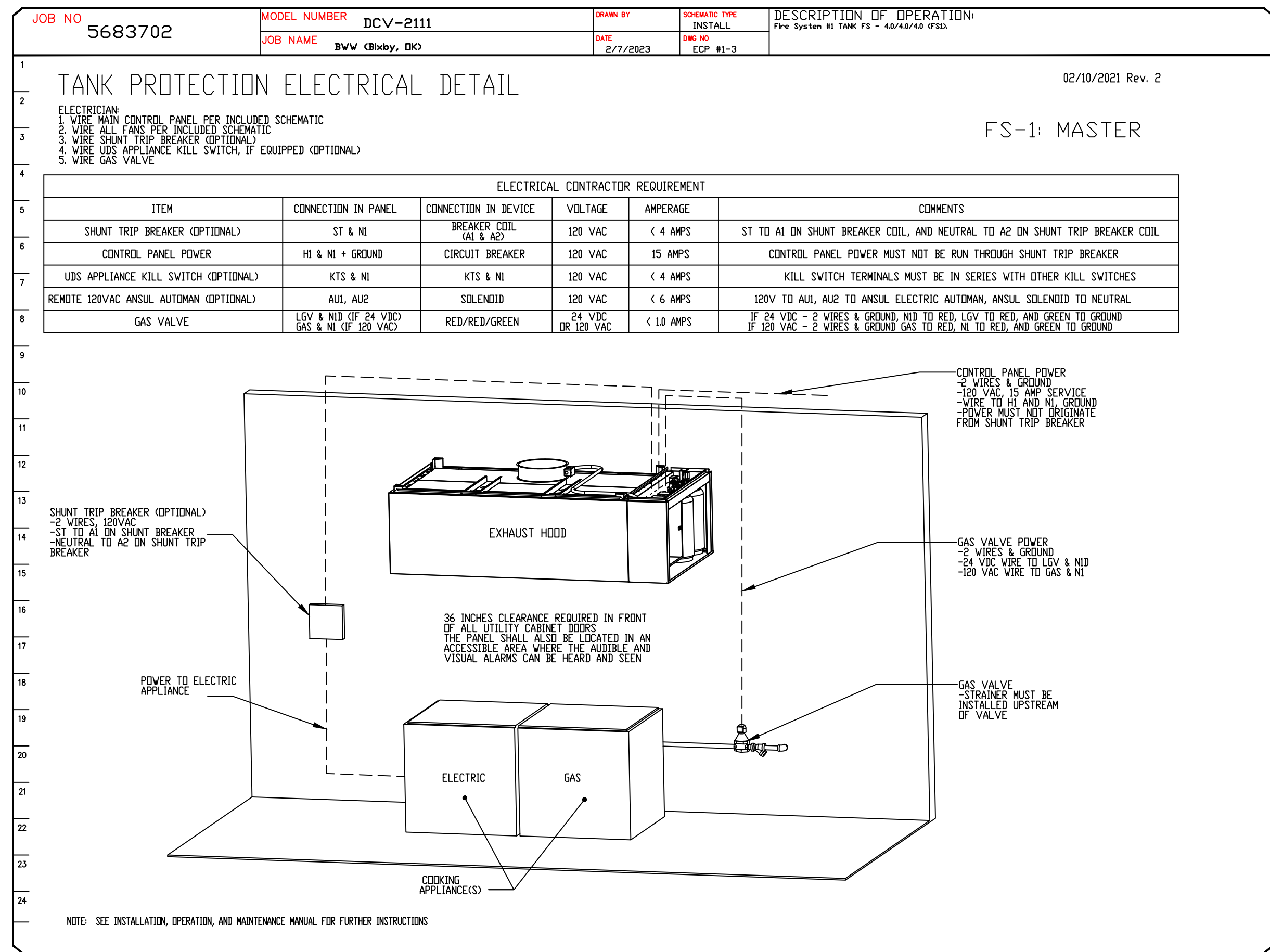
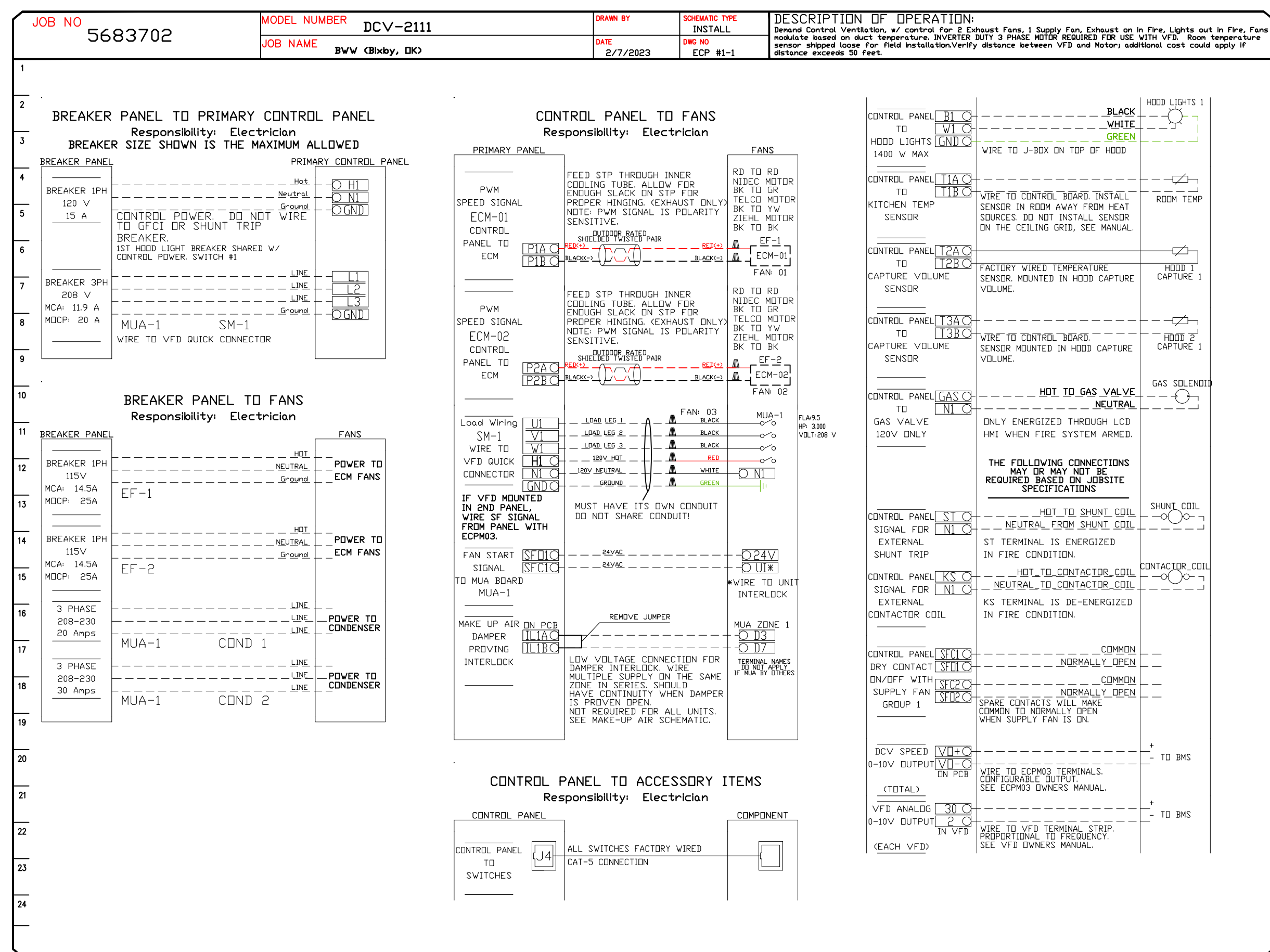
**MASTER DRAWING**

**SHEET NO.**  
2



ELECTRICAL PACKAGE - JOB#5683702

NO	TAG	PACKAGE #	LOCATION	SWITCHES		OPTION	FANS CONTROLLED					
				LOCATION	QUANTITY		FAN TAG	TYPE	Φ	HP	VOLT	FLA
1	EMS1	DCV-2111	UTILITY CABINET LEFT	UTILITY CABINET LEFT	1 LIGHT	SMART CONTROLS DCV	EF-1	EXHAUST	1	1,000	115	11.6
				HOOD # 1	1 FAN		EF-2	EXHAUST	1	1,000	115	11.6
							MUA-1	SUPPLY	3	3,000	208	9.5



**REVISIONS**

NO	DESCRIPTION	DATE

**DATE:** 2/7/2023

**DWG.#:** 5683702

**DRAWN BY:** jcirilli

**SCALE:** 3/4" = 1'-0"

**MASTER DRAWING**

**SHEET NO.** 5

**BWW (Bixby, OK)**  
East 115 Street, Corner of Memorial Dr & 115th St  
Bixby, OK, 74008

**www.captiveair.com**  
**Air Solutions**  
1329 East Kemper Rd., Ste. 4210, Cincinnati, OH, 45246 PHONE: (513) 860-5555 EMAIL: reg121@captivair.com