



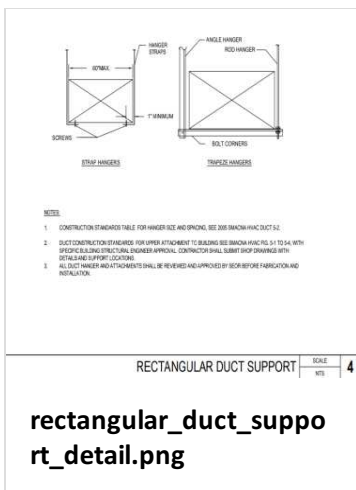
01-01-2024 SHAKE SHACK - MONTGOMERY VILLAGE SANTA ROSA, CA

CheckList Information

Name : HVAC DUCT (FIV) **Status :** Not Completed
Assigned Organization : National TAB **Asset :**
Requesting Organization : National TAB

CheckList Item Details

GENERAL



SMACNA standards utilized for horizontal supports with hangers of size and spacing required for installed duct.

Comment

Where screws are used to fasten straps to duct, the screws have been sealed

Comment

Horizontal ducts have hangers installed at each change in direction

Comment

DUCT SIZE & SUPPORTS MATERIAL

Duct Size (list for each section supported)

Space between supports (ft)

Gauge of Strap Used (list for each section supported)

All thread diameter and support angle gauge (cradle / trapeze method)

Comment

STRAP SUPPORTS: Straps extend down both side of the duct with vertical screw attachments on top and bottom no more than 12" on center & a 1" turn in on the bottom of the duct screwed in. All screws sealed

Comment

SADDLE / TRAPEZE SUPPORTS: double locking nuts and washer used at each termination/fastening point (top and bottom)

Comment

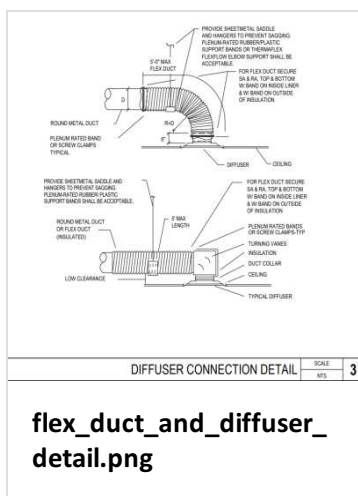
ATTACHMENT TO STRUCTURE

list structure type, ie Beam, Concrete slab, etc. (kitchen & Dining)

Provide the primary method and material used to fasten to the structure to support the main lines of the HVAC duct systems

Provide any alternate methods and materials used if different than above and identify duct system and section

FLEX DUCT AND DIFFUSER ATTACHMENTS



Flex duct does not exceed 5ft in total length & utilize long sweeping radius bends for 90 degree turns.

Comment

strap and saddle supports utilized to prevent sagging

Comment

Flex duct connected at branch take off and diffuser utilizing a band on the inner liner and a second band on the outer insulation.

Comment

All manual hand dampers are located at the branch takeoff and are not concealed by flex duct, sealant or bands. All manual dampers should be 100% open position.

Comment

Notes/Comments :