

HVAC KEY NOTES

- 1 PROVIDE NEW ELECTRIC COOLING/ GAS HEATING ROOFTOP UNIT WITH PRE-FABRICATED, MINIMUM 14" INCH INSULATED ROOF CURB. MAINTAIN MINIMUM HEIGHT OF 8 INCHES FROM ROOF SURFACE. REFER TO HVAC SCHEDULE ON SHEET M3.1. FIELD VERIFY AND COORDINATE WITH STRUCTURAL AND ALL LOCAL AND STATE REQUIREMENTS PRIOR TO BID AND CONSTRUCTION.
- 2 FIELD VERIFY EXHAUST AIR MAINTAINS A 10 FOOT MINIMUM CLEARANCE FROM ANY FRESH AIR INTAKE AND COMPLIES WITH ALL CODE REQUIREMENTS.
- 3 MECHANICAL CONTRACTOR TO ADJUST PATTERN DEFLECTORS TO THROW STRAIGHT DOWN.
- 4 PROVIDE NEW AIR DEVICE. MAXIMUM LENGTH OF FLEXIBLE DUCT RUN-OUT IS 4 FEET. NO EXCEPTIONS. FIELD VERIFY & COORDINATE LOCATIONS PRIOR TO BID & CONSTRUCTION. RE-BALANCE AIR QUANTITY AS SHOWN ON PLAN. PROVIDE WITH MANUAL VOLUME DAMPER WITH ACCESSIBILITY. ANY DEFICIENCIES AND/OR DISCREPANCIES SHALL BE REPORTED TO ARCHITECT/ENGINEER IMMEDIATELY.
- 5 EXISTING EXHAUST FAN TO REMAIN.
- 6 NOT USED.
- 7 STRONG SYSTEMS SHALL SUPPLY AND INSTALL CO2 SENSOR ANALOG- AX60. SENSOR SHALL BE MOUNTED AT 12" AFF WITH SPLASH GUARD AND CAGE. ELECTRICAL CONTRACTOR TO PROVIDE SINGLE-GANG J-BOX WITH 1/2" CONDUIT EXTENDED TO ABOVE ACCESSIBLE CEILING SPACE. INSTALL PER MANUFACTURERS RECOMMENDATIONS AND PER LOCAL CODE. FIELD VERIFY EXACT LOCATION AND ALL REQUIREMENTS PRIOR TO BID AND CONSTRUCTION. COORDINATE WITH ELECTRICAL DRAWING E22 FOR EXACT LOCATION. FOR MORE INFORMATION CONTACT STRONG SYSTEMS INTERNATIONAL, INC. CHRIS VERCH (770) 729-1199 OR (770) 462-2501.
- 8 STRONG SYSTEMS SHALL SUPPLY AND INSTALL CO2 ANNUNCIATOR MOUNTED AT 40" AFF. ELECTRICAL CONTRACTOR TO PROVIDE SINGLE-GANG J-BOX WITH 1/2" CONDUIT EXTENDED TO ABOVE ACCESSIBLE CEILING SPACE. INSTALL PER MANUFACTURERS RECOMMENDATIONS AND PER LOCAL CODE. FIELD VERIFY EXACT LOCATION AND ALL REQUIREMENTS PRIOR TO BID AND CONSTRUCTION. FOR MORE INFORMATION CONTACT STRONG SYSTEMS INTERNATIONAL, INC. CHRIS VERCH (770) 729-1199 OR (770) 462-2501.
- 9 STRONG SYSTEMS SHALL SUPPLY AND INSTALL CO2 CENTRAL CONTROL UNIT MOUNTED AT 40" AFF. ELECTRICAL CONTRACTOR TO PROVIDE SINGLE-GANG J-BOX WITH 1/2" CONDUIT EXTENDED TO ABOVE ACCESSIBLE CEILING SPACE. INSTALL PER MANUFACTURERS RECOMMENDATIONS AND PER LOCAL CODE. FIELD VERIFY EXACT LOCATION AND ALL REQUIREMENTS PRIOR TO BID AND CONSTRUCTION. COORDINATE WITH ELECTRICAL DRAWING E22 FOR EXACT LOCATION. FOR MORE INFORMATION CONTACT STRONG SYSTEMS INTERNATIONAL, INC. CHRIS VERCH (770) 729-1199 OR (770) 462-2501.
- 10 CONTRACTOR TO INSTALL OVERFLOW SWITCH INSIDE ROOFTOP UNIT DRAIN PAN. ON DOWN-FLOW UNITS AND ALL OTHER COILS THAT DO NOT HAVE A SECONDARY DRAIN AND DO NOT HAVE A MEANS TO INSTALL AN AUXILIARY DRAIN PAN. A WATER-LEVEL MONITORING DEVICE SHALL BE INSTALLED INSIDE THE PRIMARY DRAIN PAN. THIS DEVICE SHALL SHUT OFF THE EQUIPMENT SERVED IN THE EVENT THAT THE PRIMARY DRAIN BECOMES RESTRICTED. EXTERNALLY INSTALLED DEVICES AND DEVICES INSTALLED IN THE DRAIN LINE SHALL NOT BE PERMITTED.
- 11 NEW MANUAL PULL STATION SHALL BE LOCATED 10 FEET MINIMUM TO 20 FEET MAXIMUM FROM HOOD, ONE AT OR NEAR EVERY POINT OF EGRESS FROM THE HOOD COOKING AREA. PULL STATION SHALL BE SECURELY MOUNTED NOT LESS THAN 42" (INCHES) OR MORE THAN 48" (INCHES) FROM THE FLOOR. PROVIDE SIGNAGE FOR PULL STATION.
- 12 PROVIDE A LENNOX FACTORY INSTALLED RETURN AND SUPPLY SIDE SMOKE DETECTOR. REFER TO SCHEDULE ON SHEET M3.1 AND LENNOX SMOKE DETECTOR AND ANNUNCIATOR WIRING DIAGRAM ON SHEET M4.2. SEE ADDED BOXED NOTE SHEET M3.1 HVAC SCHEDULE REGARDING SUPPLY SIDE SMOKE DETECTOR.
- 13 BRANCH TAKE-OFFS ARE NOT TO BE LOCATED CLOSER THAN 3'-0" FROM ANY ELBOW INCLUDING THE SUPPLY AIR DROP FROM CURB.
- 14 R/A DUCT DROP TO BE FULL SIZE OF CURB CONNECTION. PROVIDE PLENUM BOX ABOVE CEILING AS SHOWN ON PLAN.
- 15 SEE ELEVATION ON M2.1 FOR CJ FAN DUCTING REQUIREMENTS.

- 16 MOUNT NEW LENNOX HUMIDITY SENSOR WITH ALL NEW WIRING ON WALL ABOVE SPACE TEMP SENSOR AND ROUTE WIRING TO UNIT ON ROOF.
- 17 MOUNT NEW REMOTE TEMPERATURE SENSOR WITH ALL NEW WIRING ON WALL AT 5'-0" AFF AND ROUTE WIRING BACK TO SINOCAST TEMP CONTROL PANEL. FOR SENSOR SERVING KITCHEN ACH, 5'-8" AFF. COORDINATE EXACT LOCATION WITH KITCHEN EQUIPMENT PRIOR TO BID AND CONSTRUCTION.
- 18 PROVIDE NEW FAN WITH NEW CURB AT LOCATION SHOWN ON PLAN. LOCATE A MINIMUM OF 10 FT FROM PARAPET WALLS IF PARAPET IS LOWER THAN 42" OR FROM ANY NEW OR EXISTING OUTSIDE AIR INTAKE. COORDINATE EXACT LOCATION IN FIELD WITH EXISTING EQUIPMENT AND PIPING. SEE DETAIL ON M4.1 FOR ORIENTATION OF HINGE SIDE OF FAN ON CURB.
- 19 EXISTING AIR CURTAIN TO BE RELOCATED AS SHOWN ON PLAN. FIELD VERIFY EXACT REQUIREMENTS PRIOR TO BID.
- 20 20X26 VERTICAL DROP. PROVIDE TURNING VANES IN ELBOW. ELBOW TO BE PARTIALLY LOCATED WITHIN STRUCTURE. BOTTOM OF ELBOW TO BE AT SAME ELEVATION AS BOTTOM OF 26X20 SUPPLY MAIN. 26X20 SUPPLY MAIN TO BE LOCATED ENTIRELY BELOW JOISTS. HOLD 26X20 SUPPLY MAIN AS HIGH AS POSSIBLE DUE TO LIMITED CLEARANCE.
- 21 AIR CURTAIN, ADH MOUNTED IN CEILING GRID 14" OFF THE EXTERIOR WALL. MECHANICAL CONTRACTOR SHALL ADJUST AIR DEFLECTORS TOWARD BOTTOM OF TORMAX DOOR OPENING.
- 22 LOCATE AHU TSTAT AT 5'-0" AFF. COORDINATE EXACT LOCATION WITH OTHER TRADES. ROUTE WIRING BACK TO ADH AT CEILING.
- 23 PROVIDE RUSKIN CD35 MANUAL BALANCING DAMPER WITH 6" MAXIMUM BLADE WIDTH, OPPOSED BLADE ACTION, LOCKING QUADRANT HANDLE WITH 2" STANDOFF AND 16 GA GALVANIZED BLADE AND FRAME CONSTRUCTION.

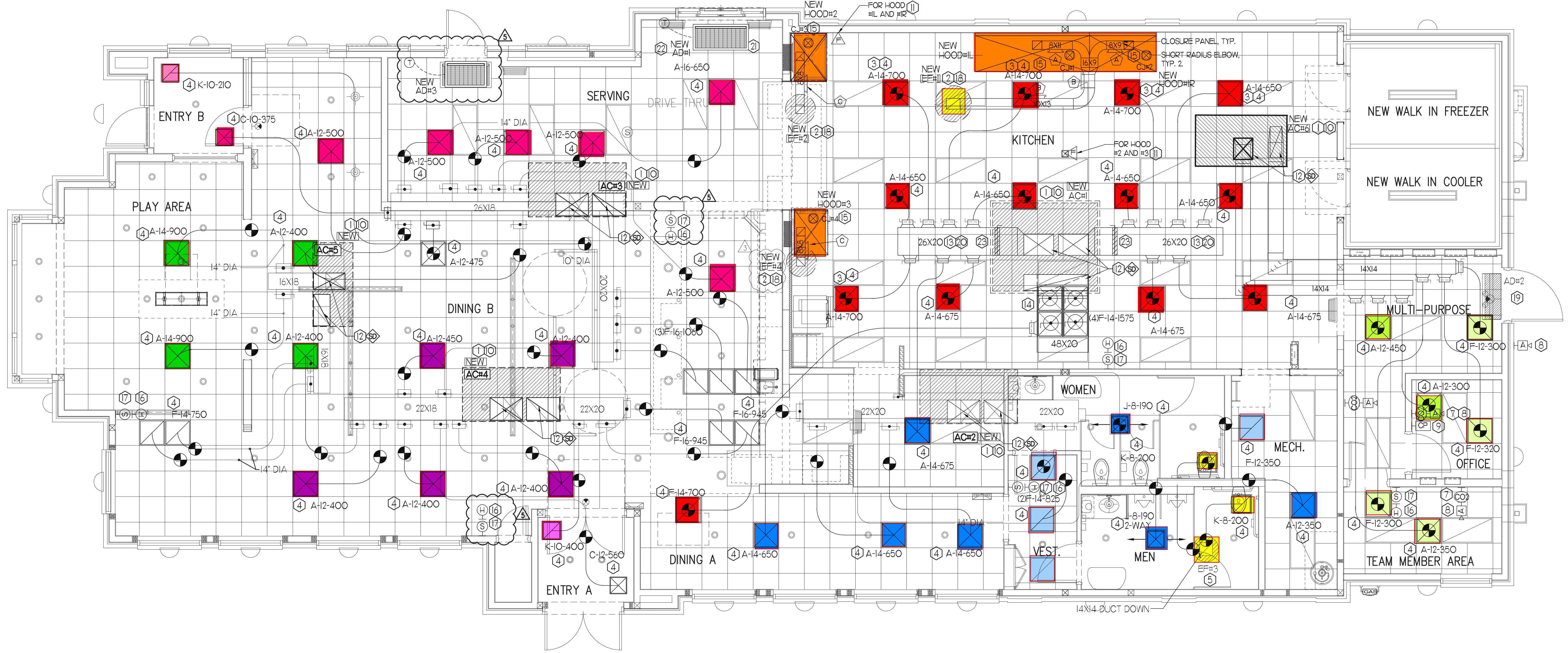
HVAC GENERAL NOTES

- 1 DUCT SIZES SERVING DIFFUSERS AND GRILLES ARE SAME SIZE AS DIFFUSER OR GRILLE NECK UNLESS NOTED OTHERWISE.
- 2 MECHANICAL CONTRACTOR SHALL BALANCE HVAC SYSTEM AS SHOWN ON THE PLAN & RTU SCHEDULE ON SHEET M-3.1. IF AIRFLOWS DIFFER BY MORE THAN 5%, CONTACT CFA CONSTRUCTION MANAGER.
- 3 NO PIPING OR DUCTWORK ALLOWED ABOVE ANY ELECTRICAL/CONTROL PANELS.
- 4 COORDINATE NEW WORK WITH EXISTING CONDUITS, STRUCTURE, & PIPING. FIELD VERIFY EXISTING CONDITIONS PRIOR TO COMMENCING WORK. CONTRACTOR TO NOTIFY DESIGN TEAM WITHOUT DELAY IF ACTUAL LOCATION OF EXISTING MECHANICAL EQUIPMENT DOES NOT MATCH FLOOR PLAN.
- 5 CONTRACTOR SHALL CLEAN & REPAIR ALL EXISTING DUCTWORK. PATCH & REPAIR OPENING AIR TIGHT OF EXISTING DUCTWORK AS REQUIRED (TYPICAL ALL). FIELD VERIFY AND COORDINATE ALL EXISTING HVAC SIZES, LOCATIONS, AND CONDITION PRIOR TO BID.
- 6 REUSE AND REWORK EXISTING HVAC DUCTWORK. PROVIDE NEW SECTION FOR RECONNECTION AS REQUIRED. FIELD VERIFY ALL REQUIREMENTS PRIOR TO BID.
- 7 CONTRACTOR SHALL BALANCE, INSPECT, REPAIR, OR REPLACE AS NECESSARY IF REQUIRED FOR EXISTING CEILING MOUNTED AIR DEVICES TO REMAIN. FIELD VERIFY AND COORDINATE EXACT SIZE, AIR QUANTITY, LOCATION, AND CONDITION PRIOR TO BID. AIR FLOW SHALL REMAIN AS IS UNLESS NOTED ON PLAN, OR DIRECTED BY CONSTRUCTION MANAGER. ANY DEFICIENCIES AND/OR DISCREPANCIES SHALL BE REPORTED TO ARCHITECT/ENGINEER IMMEDIATELY. COORDINATE AIR BALANCE RESULTS WITH CONSTRUCTION MANAGER.

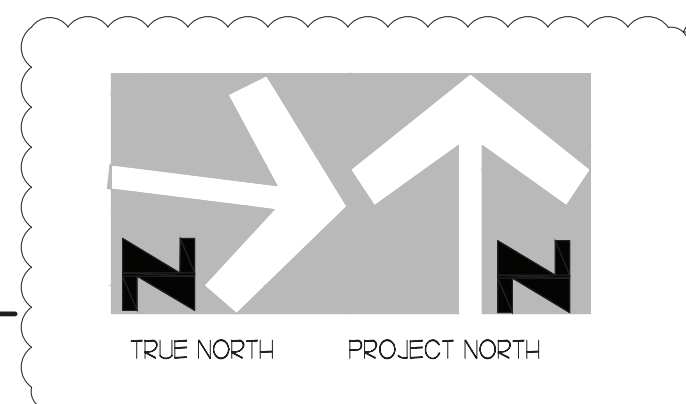
NOTE:
REFER TO ELECTRICAL DRAWINGS (SHEET E2.2) FOR NEW WESS PANEL AND CANOPY ADDER PANEL LOCATIONS

NOTE:
ALL NEW HOODS SHALL BE RATED WITH ONE INCH THICK LAYER OF FACTORY INSTALLED INSULATION TO MEET ZERO INCH CLEARANCE TO COMBUSTIBLE MATERIALS. HOOD SHALL BE CERTIFIED BY ETL SPECIFICATIONS, AND SHALL CONFORM TO UL STANDARD 710, BUILT PER NFPA 96 SECTION 4.2.2, AND NSF LISTED.

NOTE: IF BALANCING DAMPERS ARE NOT EXISTING IN THE BRANCH DUCT OR AT THE TAKE-OFF, MECHANICAL CONTRACTOR SHALL SUPPLY AND INSTALL NEW BALANCING DAMPERS WITHIN THE BRANCH DUCT (TYPICAL).



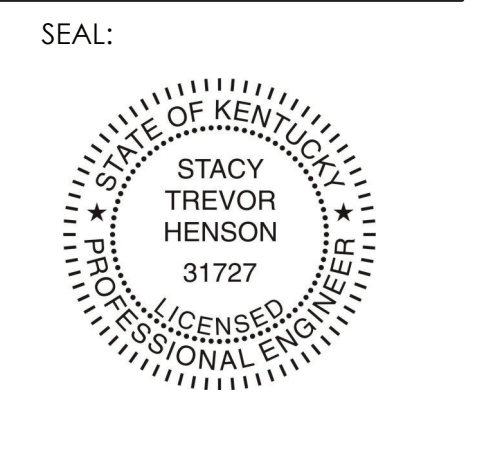
MECHANICAL FLOOR PLAN
1/4" = 1'-0"



Chick-fil-A
5200 Buffington Road
Atlanta, Georgia
30349-2998

INTERPLAN
INTERPLAN LLC
AR0011595
CA 8660
ARCHITECTURE
ENGINEERING
PERMITTING

220 E. CENTRAL PKWY., STE 4000
ALAMONTE SPRINGS, FL 32701
407.645.5038



CHICK-FIL-A
RICHMOND CENTRE
2072 Lantern Ridge Dr
Richmond
KY 40475

FSR#02466

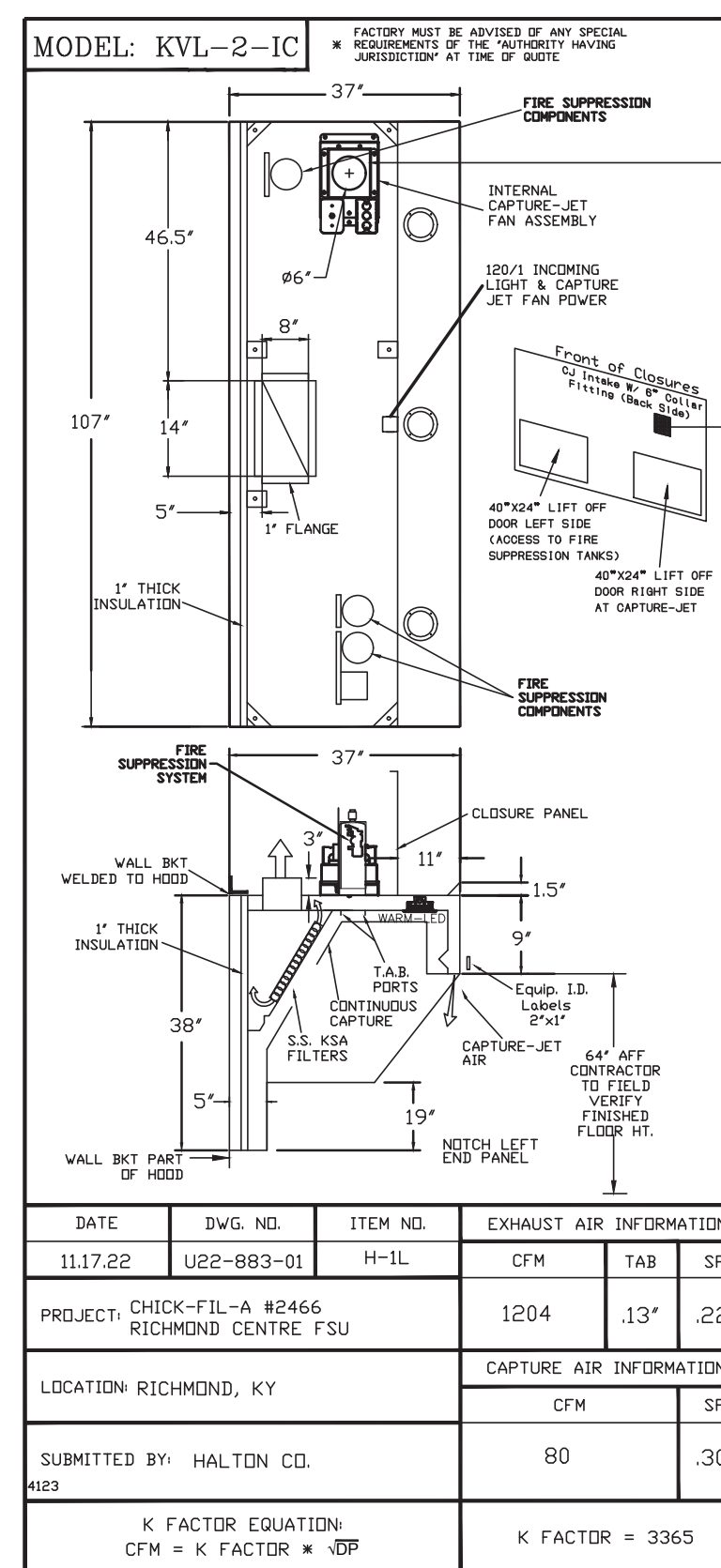
BUILDING TYPE / SIZE: S08-C
RELEASE: -
PRINTED FOR: CONSTRUCTION

REVISION SCHEDULE

NO.	DATE	DESCRIPTION
1	10/20/20	INITIAL COORDINATION
2	10/20/20	REVISED COMMENTS

CONSULTANT PROJECT # 2020.0214
DATE September 2022
DRAWN BY AM
CHECKED BY DAK
Information contained on this drawing and all digital files produced for above named project may not be reproduced in any manner without express written or verbal consent from architect/engineer.
SHEET
MECHANICAL FLOOR PLAN

SHEET NUMBER
M1.1



STANDARD FEATURES	
S.S. FILTERS (KSA)	3
1/2 S.S. FILTERS (KSA)	1
CAPTURE-JET	1
STAND-OFF	1
L.E.D. LIGHTS	2

OPTIONS	
REMOTE SWITCH PANEL	*
FIRE PROTECTION	*
ETL LISTED V/D EXHAUST DAMPER	*
CEILING CLOSURE	2
STD. BACKSPASH	*
INSULATED BACKSPASH	*
KBD DAMPER	*

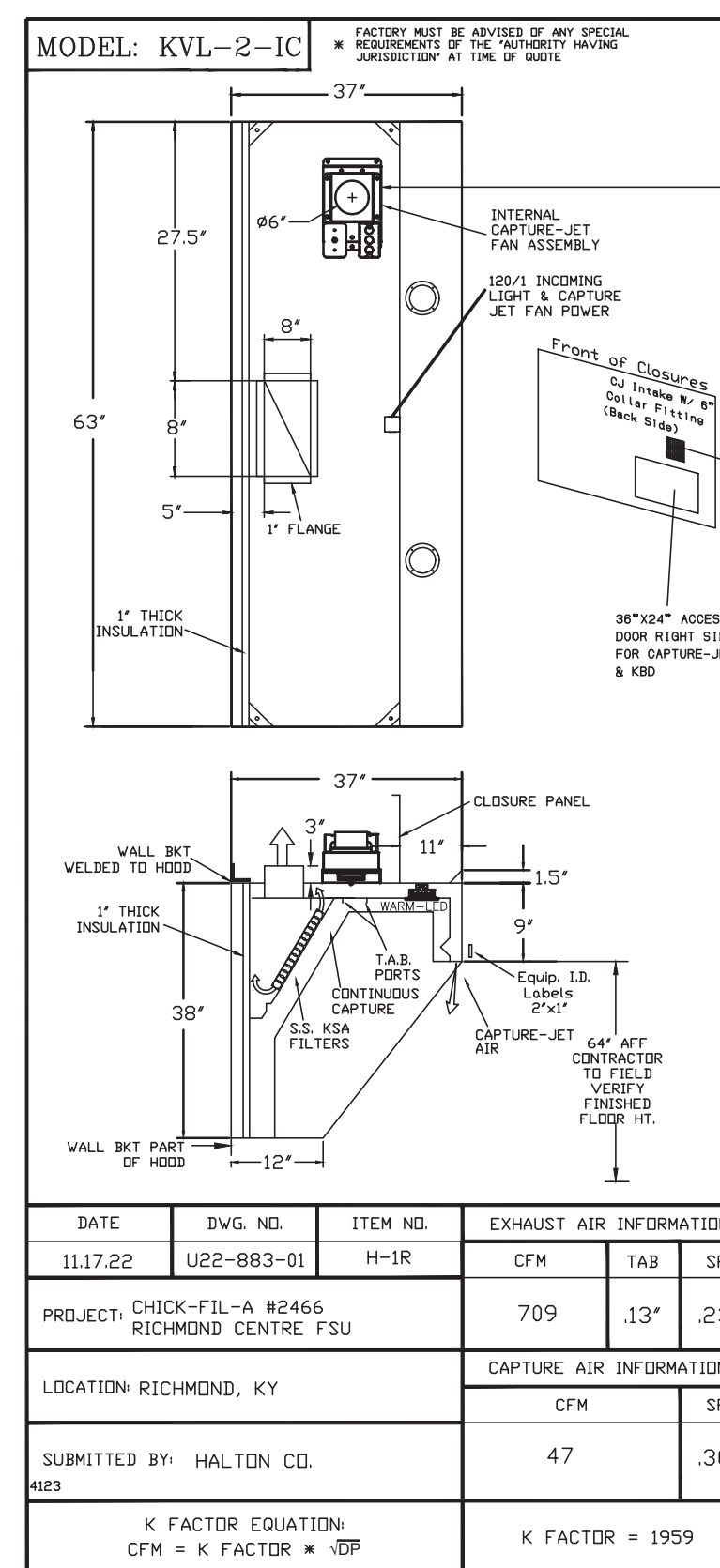
MATERIAL	
EXPOSED SURFACES	18 GA. S.S.
ALL 18 GA. S.S.	*

COMMENTS	
CLOSURE HEIGHT = T80 (TWO SIDES)	
CEILING HEIGHT = ADVISE SELLING CLOSURE RECESSED 11" FROM FRONT TO CREATE SHELF	
FRONT CLOSURE PANEL WITH 40"x24" LIFT OUT DOOR LEFT SIDE (ACCESS TO FIRE SUPPRESSION)	
40"x24" LIFT OUT DOOR RIGHT SIDE AT CAPTURE-JET WITH FRONT C/J INTAKE	
CONTINUOUS CAPTURE INTERNAL LEFT AND RIGHT	
3" REAR STAND-OFF TO HAVE 1" THICK INSULATION	
NOTCHED LEFT END PANEL	

DATE	DWG. NO.	ITEM NO.	EXHAUST AIR INFORMATION
11/27/22	U22-883-01	H-1L	CFM T.A.B. SP

PROJECT	CHICK-FIL-A #2466	RICHMOND CENTRE FSU
DATE	12/04	13' x 22'

LOCATION	RICHMOND, KY
SUBMITTED BY	HALTON CO.
DATE	8/0
K FACTOR EQUATION	CFM = K FACTOR * CBP
K FACTOR	3365



STANDARD FEATURES	
S.S. FILTERS (KSA)	3
1/2 S.S. FILTERS (KSA)	1
CAPTURE-JET	1
STAND-OFF	1
L.E.D. LIGHTS	2

OPTIONS	
REMOTE SWITCH PANEL	*
FIRE PROTECTION	*
ETL LISTED V/D EXHAUST DAMPER	*
CEILING CLOSURE	2
STD. BACKSPASH	*
INSULATED BACKSPASH	*
KBD DAMPER	*

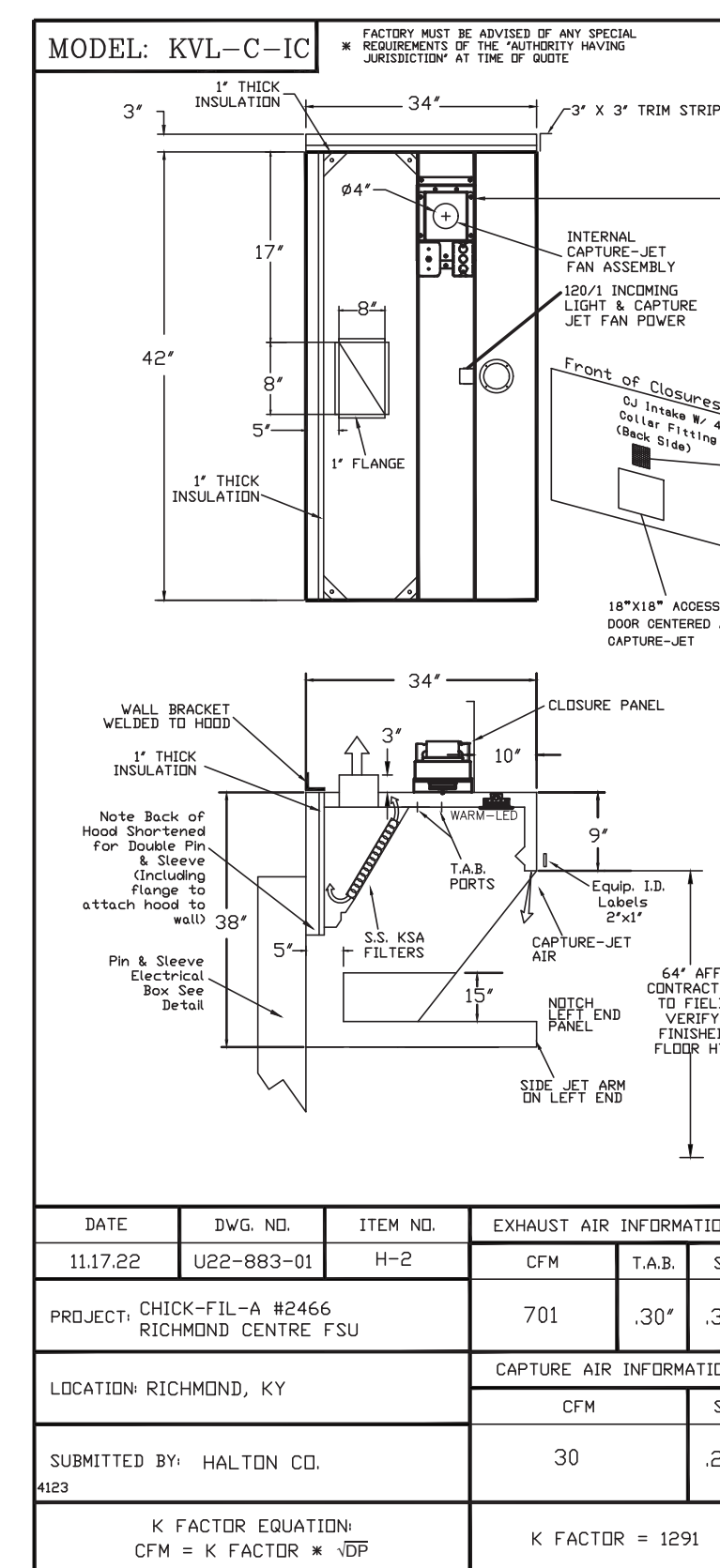
MATERIAL	
EXPOSED SURFACES	18 GA. S.S.
ALL 18 GA. S.S.	*

COMMENTS	
CLOSURE HEIGHT = T80 (TWO SIDES)	
CEILING HEIGHT = ADVISE SELLING CLOSURE RECESSED 11" FROM FRONT TO CREATE SHELF	
FRONT CLOSURE PANEL WITH 40"x24" LIFT OUT DOOR LEFT SIDE (ACCESS TO FIRE SUPPRESSION)	
40"x24" LIFT OUT DOOR RIGHT SIDE AT CAPTURE-JET WITH FRONT C/J INTAKE	
CONTINUOUS CAPTURE INTERNAL LEFT AND RIGHT	
3" REAR STAND-OFF TO HAVE 1" THICK INSULATION	
EQUIPMENT COVERED (2) PRESSURE PORTS	

DATE	DWG. NO.	ITEM NO.	EXHAUST AIR INFORMATION
11/27/22	U22-883-01	H-1R	CFM T.A.B. SP

PROJECT	CHICK-FIL-A #2466	RICHMOND CENTRE FSU
DATE	12/04	13' x 23'

LOCATION	RICHMOND, KY
SUBMITTED BY	HALTON CO.
DATE	4/7
K FACTOR EQUATION	CFM = K FACTOR * CBP
K FACTOR	1959



STANDARD FEATURES	
S.S. FILTERS (KSA)	2
CAPTURE-JET	1
STAND-OFF	1
L.E.D. LIGHTS	1

OPTIONS	
REMOTE SWITCH PANEL	*
FIRE PROTECTION	*
ETL LISTED V/D EXHAUST DAMPER	*
CEILING CLOSURE	2
STD. BACKSPASH	*
INSULATED BACKSPASH	*
KBD DAMPER	*

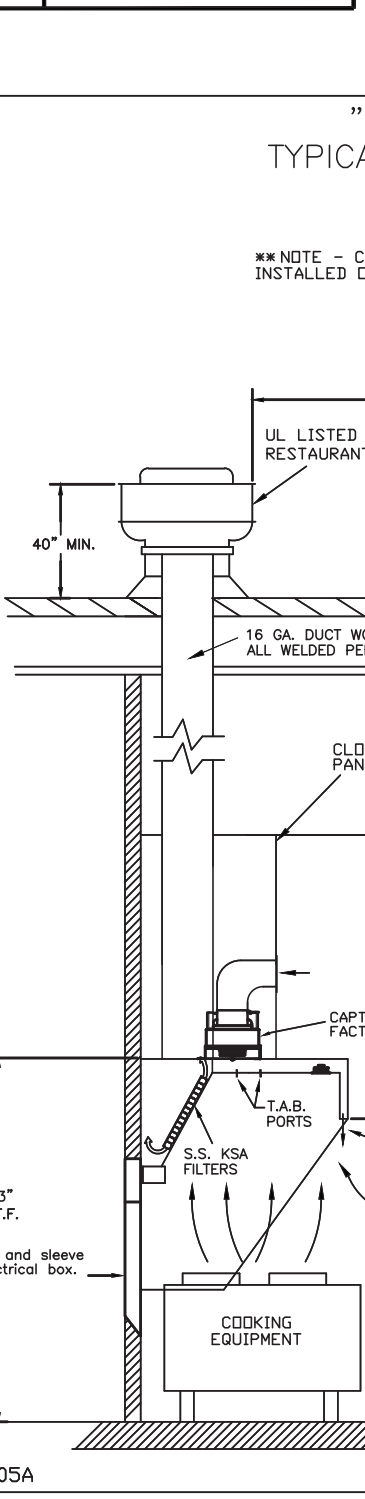
MATERIAL	
EXPOSED SURFACES	18 GA. S.S.
ALL 18 GA. S.S.	*

COMMENTS	
CLOSURE HEIGHT = T80 (TWO SIDES)	
CEILING HEIGHT = ADVISE SELLING CLOSURE RECESSED 10" FROM FRONT TO CREATE SHELF	
18"x18" ACCESS DOOR CENTERED AT CAPTURE-JET WITH FRONT C/J INTAKE	
NOTCH LEFT END PANEL	
DOUBLE RECEPTABLE PIN & SLEEVE	
3" x 3" TRIM STRIP FOR STAND-OFF ON RIGHT END	
3" SIDE & REAR STAND-OFF TO HAVE 1" THICK INSULATION	
EQUIPMENT COVERED (2) PRESSURE PORTS	

DATE	DWG. NO.	ITEM NO.	EXHAUST AIR INFORMATION
11/27/22	U22-883-01	H-2	CFM T.A.B. SP

PROJECT	CHICK-FIL-A #2466	RICHMOND CENTRE FSU
DATE	12/04	13' x 39'

LOCATION	RICHMOND, KY
SUBMITTED BY	HALTON CO.
DATE	3/0
K FACTOR EQUATION	CFM = K FACTOR * CBP
K FACTOR	1291



STANDARD FEATURES	
S.S. FILTERS (KSA)	2
CAPTURE-JET	1
STAND-OFF	1
L.E.D. LIGHTS	1

OPTIONS	
REMOTE SWITCH PANEL	*
FIRE PROTECTION	*
ETL LISTED V/D EXHAUST DAMPER	*
CEILING CLOSURE	2
STD. BACKSPASH	*
INSULATED BACKSPASH	*
KBD DAMPER	*

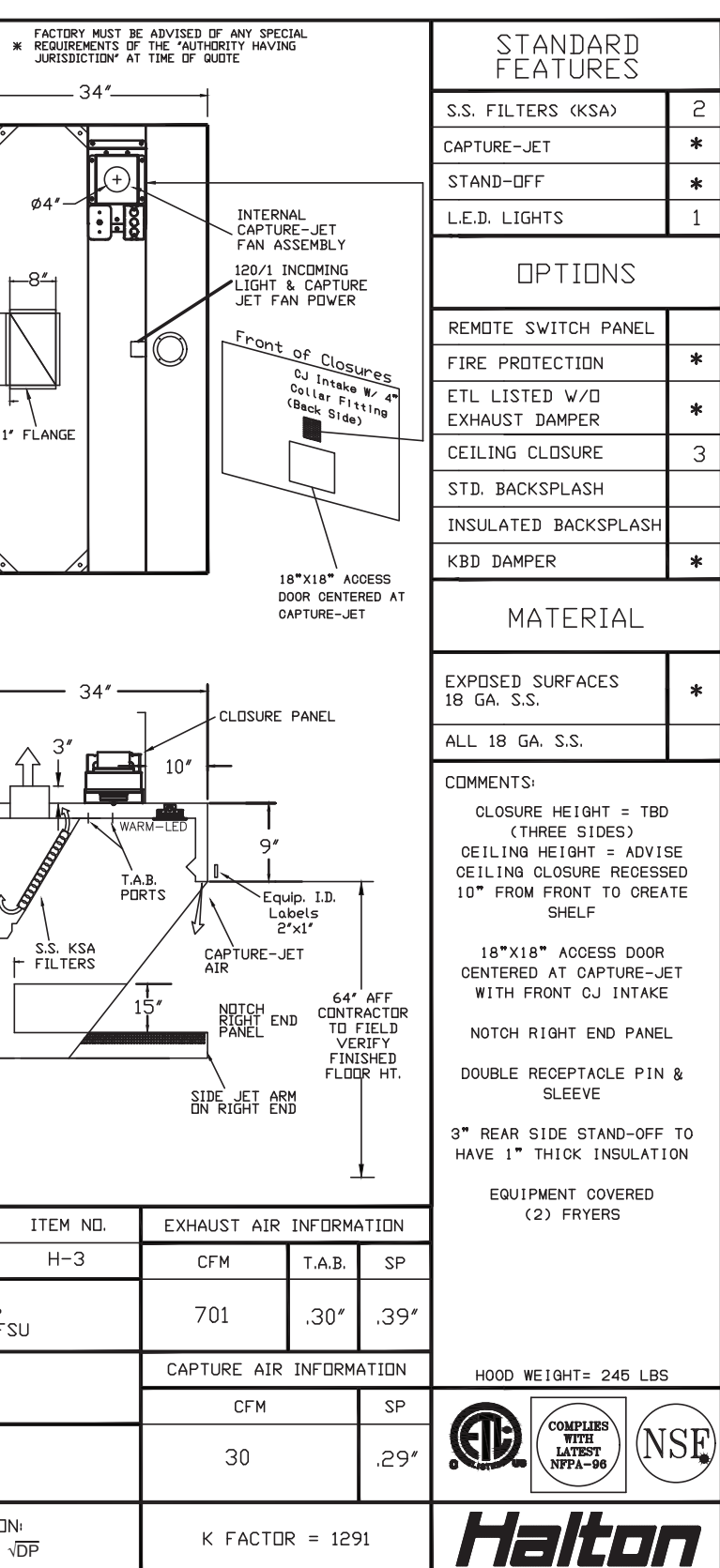
MATERIAL	
EXPOSED SURFACES	18 GA. S.S.
ALL 18 GA. S.S.	*

COMMENTS	
CLOSURE HEIGHT = T80 (TWO SIDES)	
CEILING HEIGHT = ADVISE SELLING CLOSURE RECESSED 10" FROM FRONT TO CREATE SHELF	
18"x18" ACCESS DOOR CENTERED AT CAPTURE-JET WITH FRONT C/J INTAKE	
NOTCH RIGHT END PANEL	
DOUBLE RECEPTABLE PIN & SLEEVE	
3" x 3" TRIM STRIP FOR STAND-OFF ON LEFT END	
3" SIDE & REAR STAND-OFF TO HAVE 1" THICK INSULATION	
EQUIPMENT COVERED (2) PRESSURE PORTS	

DATE	DWG. NO.	ITEM NO.	EXHAUST AIR INFORMATION
11/27/22	U22-883-01	H-3	CFM T.A.B. SP

PROJECT	CHICK-FIL-A #2466	RICHMOND CENTRE FSU
DATE	12/04	13' x 39'

LOCATION	RICHMOND, KY
SUBMITTED BY	HALTON CO.
DATE	3/0
K FACTOR EQUATION	CFM = K FACTOR * CBP
K FACTOR	1291



STANDARD FEATURES	
S.S. FILTERS (KSA)	2
CAPTURE-JET	1
STAND-OFF	1
L.E.D. LIGHTS	1

OPTIONS	
REMOTE SWITCH PANEL	*
FIRE PROTECTION	*
ETL LISTED V/D EXHAUST DAMPER	*
CEILING CLOSURE	2
STD. BACKSPASH	*
INSULATED BACKSPASH	*
KBD DAMPER	*

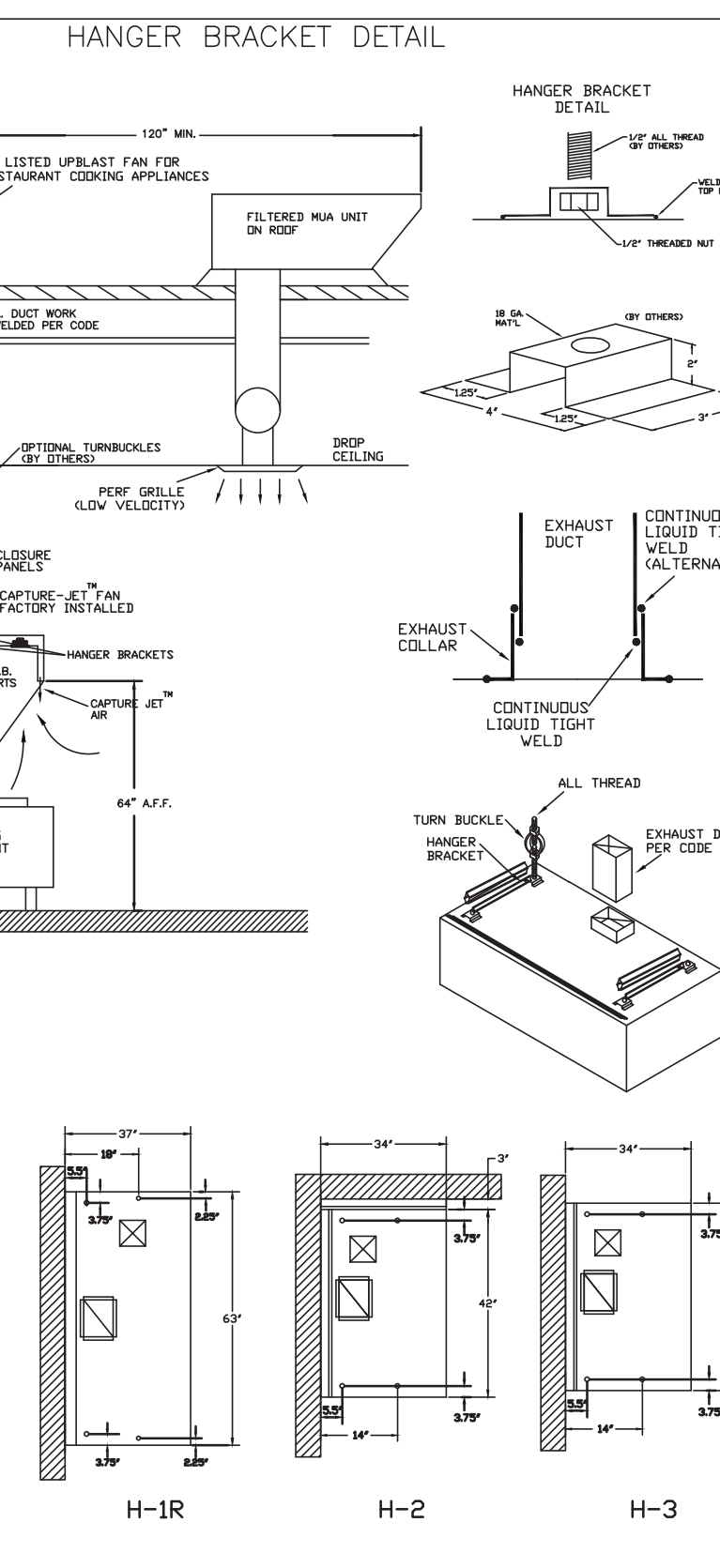
MATERIAL	
EXPOSED SURFACES	18 GA. S.S.
ALL 18 GA. S.S.	*

COMMENTS	
CLOSURE HEIGHT = T80 (TWO SIDES)	
CEILING HEIGHT = ADVISE SELLING CLOSURE RECESSED 10" FROM FRONT TO CREATE SHELF	
18"x18" ACCESS DOOR CENTERED AT CAPTURE-JET WITH FRONT C/J INTAKE	
NOTCH RIGHT END PANEL	
DOUBLE RECEPTABLE PIN & SLEEVE	
3" x 3" TRIM STRIP FOR STAND-OFF ON LEFT END	
3" SIDE & REAR STAND-OFF TO HAVE 1" THICK INSULATION	
EQUIPMENT COVERED (2) PRESSURE PORTS	

DATE	DWG. NO.	ITEM NO.	EXHAUST AIR INFORMATION
11/27/22	U22-883-01	H-3	CFM T.A.B. SP

PROJECT	CHICK-FIL-A #2466	RICHMOND CENTRE FSU
DATE	12/04	13' x 39'

LOCATION	RICHMOND, KY
SUBMITTED BY	HALTON CO.
DATE	3/0
K FACTOR EQUATION	CFM = K FACTOR * CBP
K FACTOR	1291



STANDARD FEATURES	
S.S. FILTERS (KSA)	2
CAPTURE-JET	1
STAND-OFF	1
L.E.D. LIGHTS	1

OPTIONS	
REMOTE SWITCH PANEL	*
FIRE PROTECTION	*
ETL LISTED V/D EXHAUST DAMPER	*
CEILING CLOSURE	2
STD. BACKSPASH	*
INSULATED BACKSPASH	*
KBD DAMPER	*

MATERIAL	
EXPOSED SURFACES	18 GA. S.S.
ALL 18 GA. S.S.	*

COMMENTS	
CLOSURE HEIGHT = T80 (TWO SIDES)	
CEILING HEIGHT = ADVISE SELLING CLOSURE RECESSED 10" FROM FRONT TO CREATE SHELF	
18"x18" ACCESS DOOR CENTERED AT CAPTURE-JET WITH FRONT C/J INTAKE	
NOTCH RIGHT END PANEL	
DOUBLE RECEPTABLE PIN & SLEEVE	
3" x 3" TRIM STRIP FOR STAND-OFF ON LEFT END	
3" SIDE & REAR STAND-OFF TO HAVE 1" THICK INSULATION	
EQUIPMENT COVERED (2) PRESSURE PORTS	

THIS DRAWING MUST BE CHECKED, SIGNED AND RETURNED TO THE APPROPRIATE FACTORY. PLEASE VERIFY THE FOLLOWING:

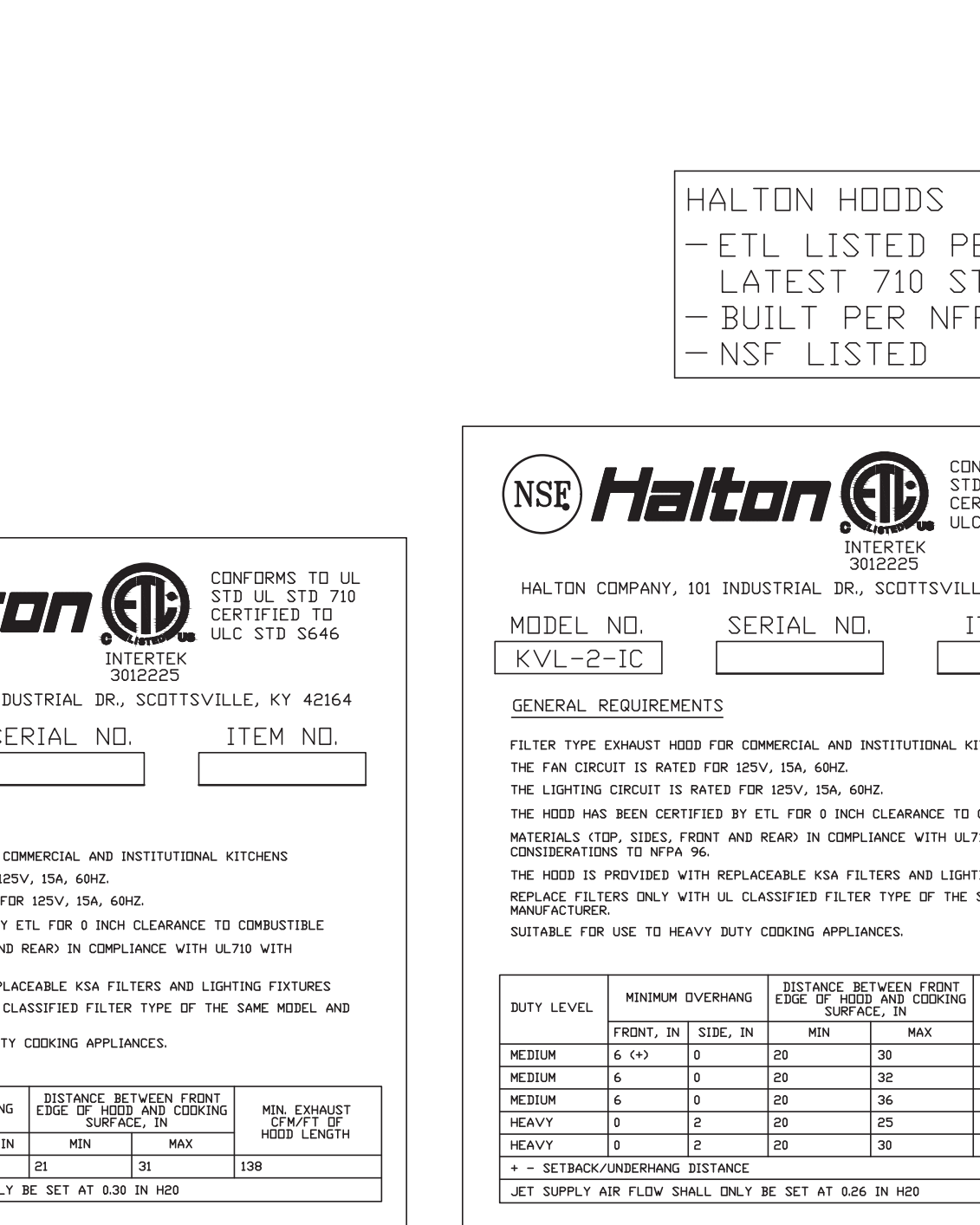
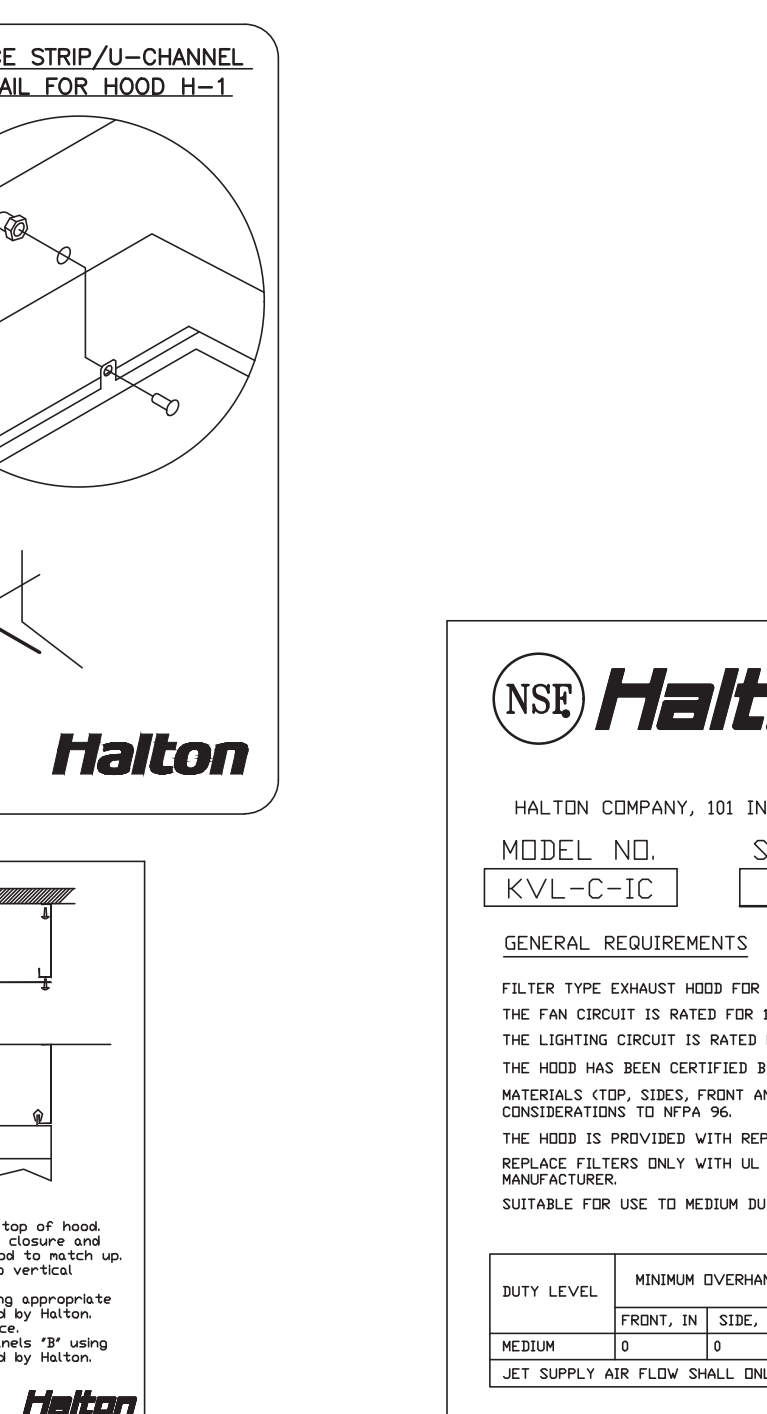
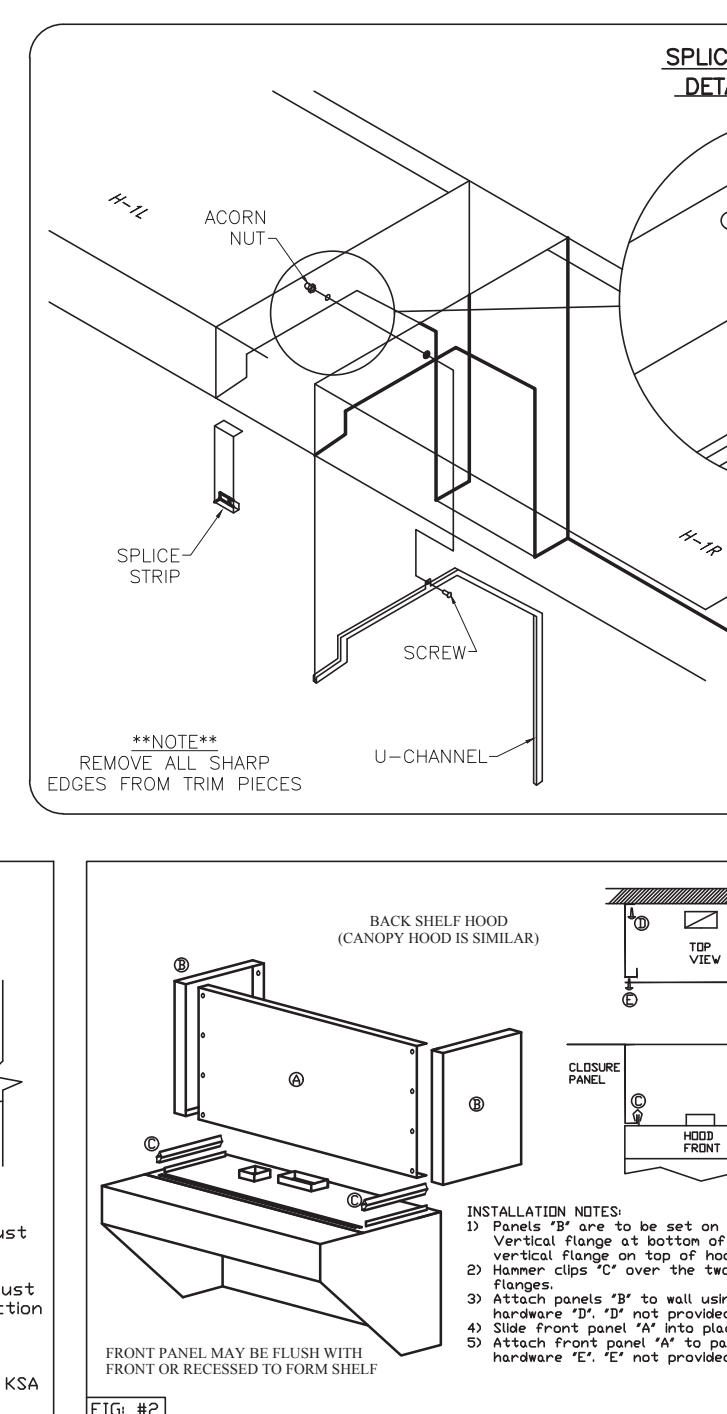
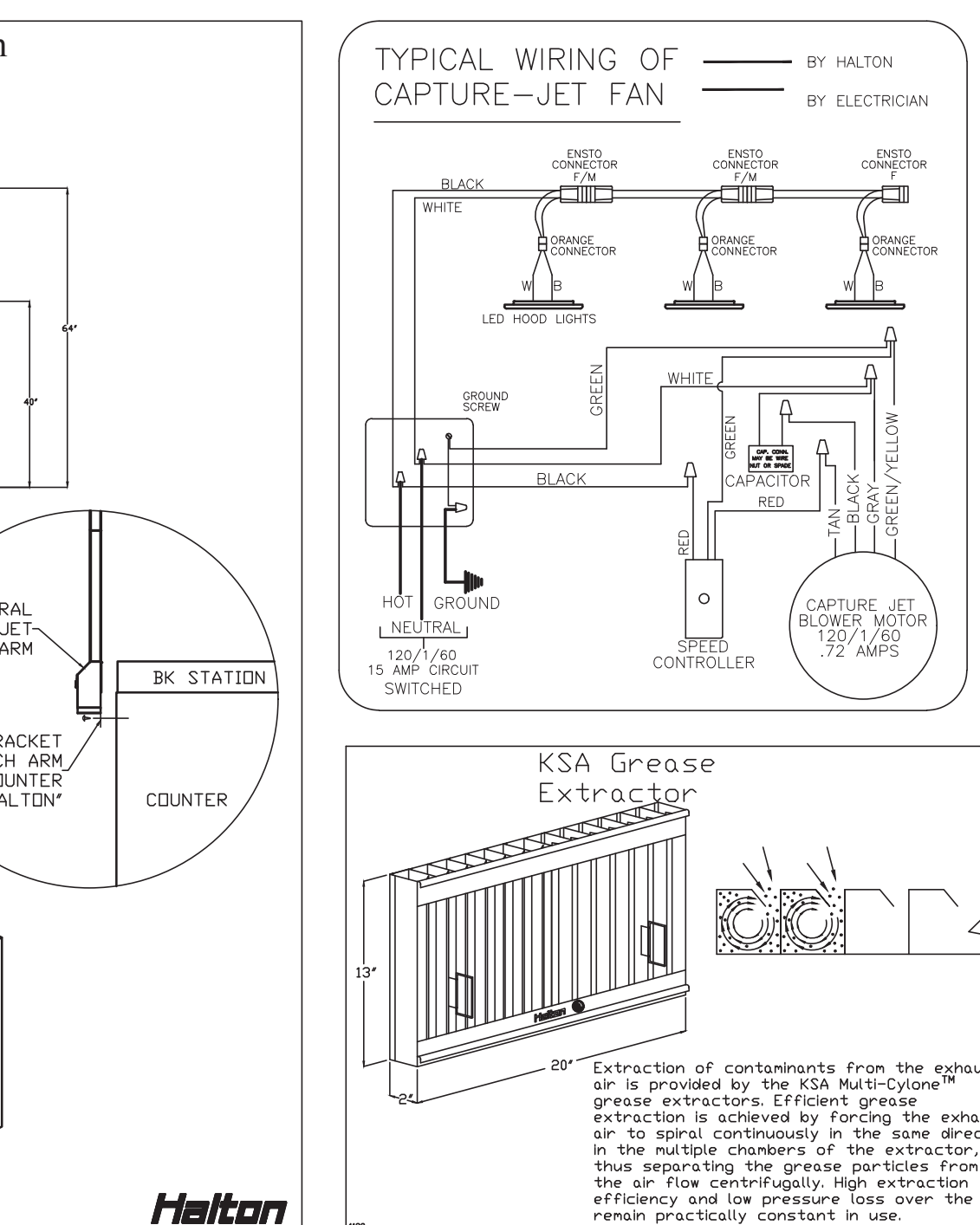
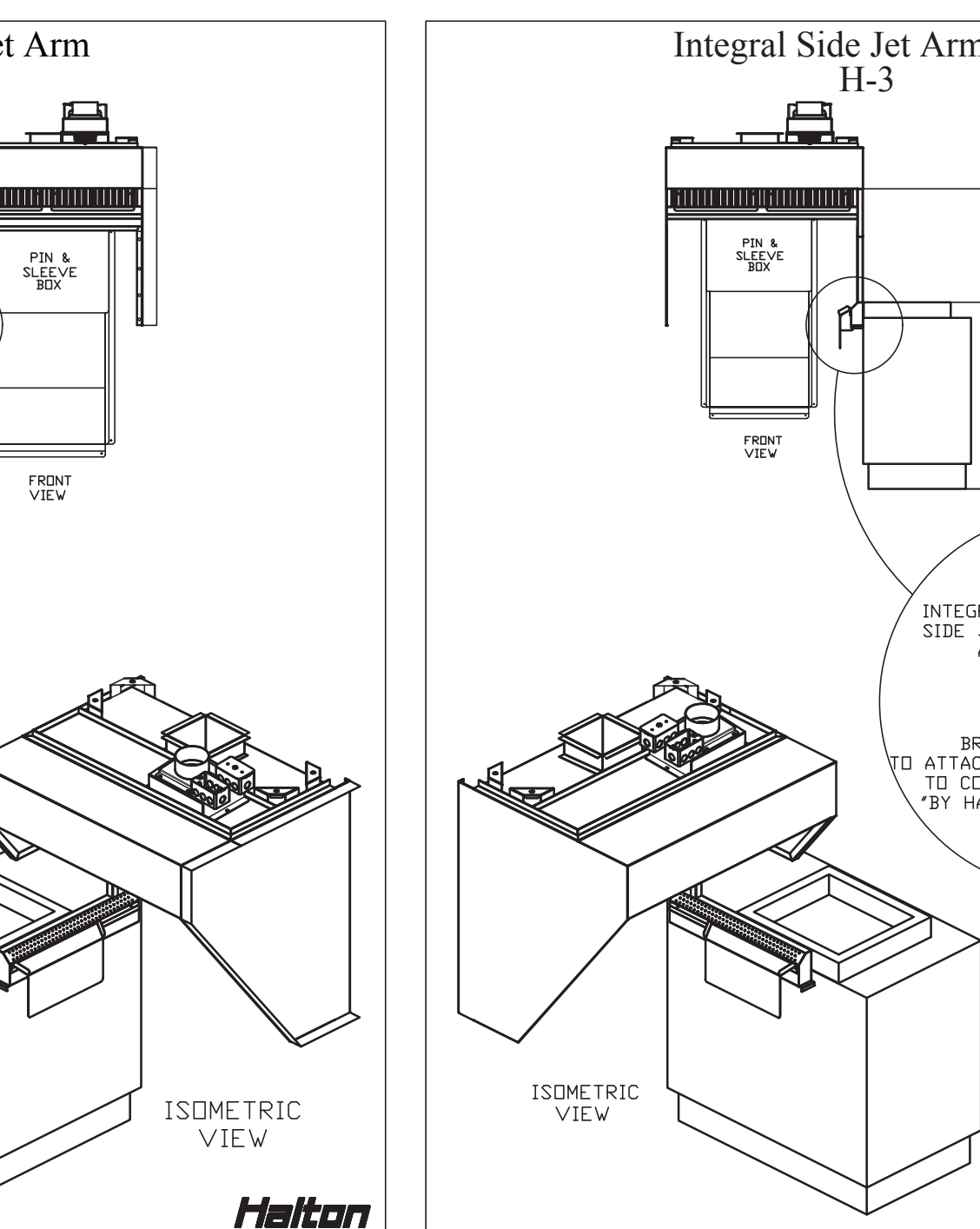
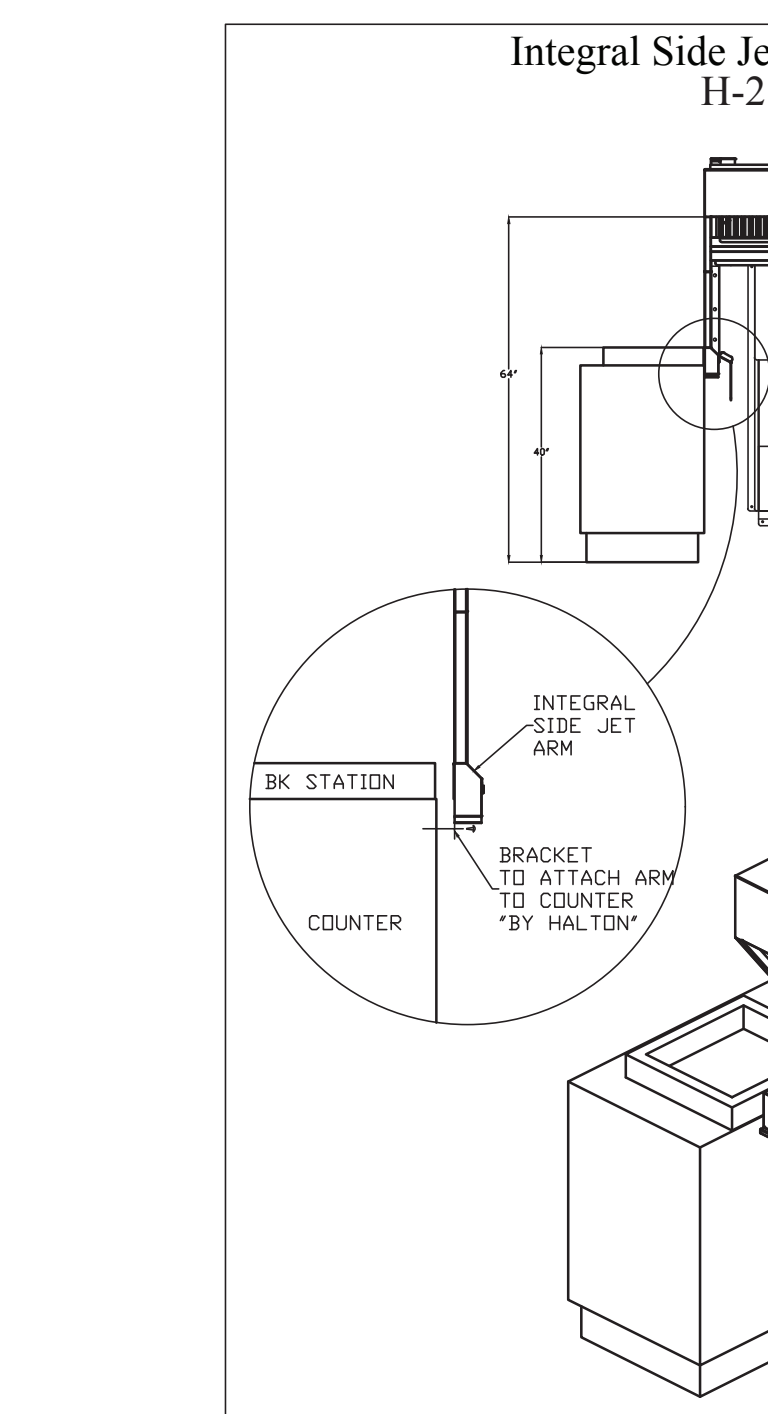
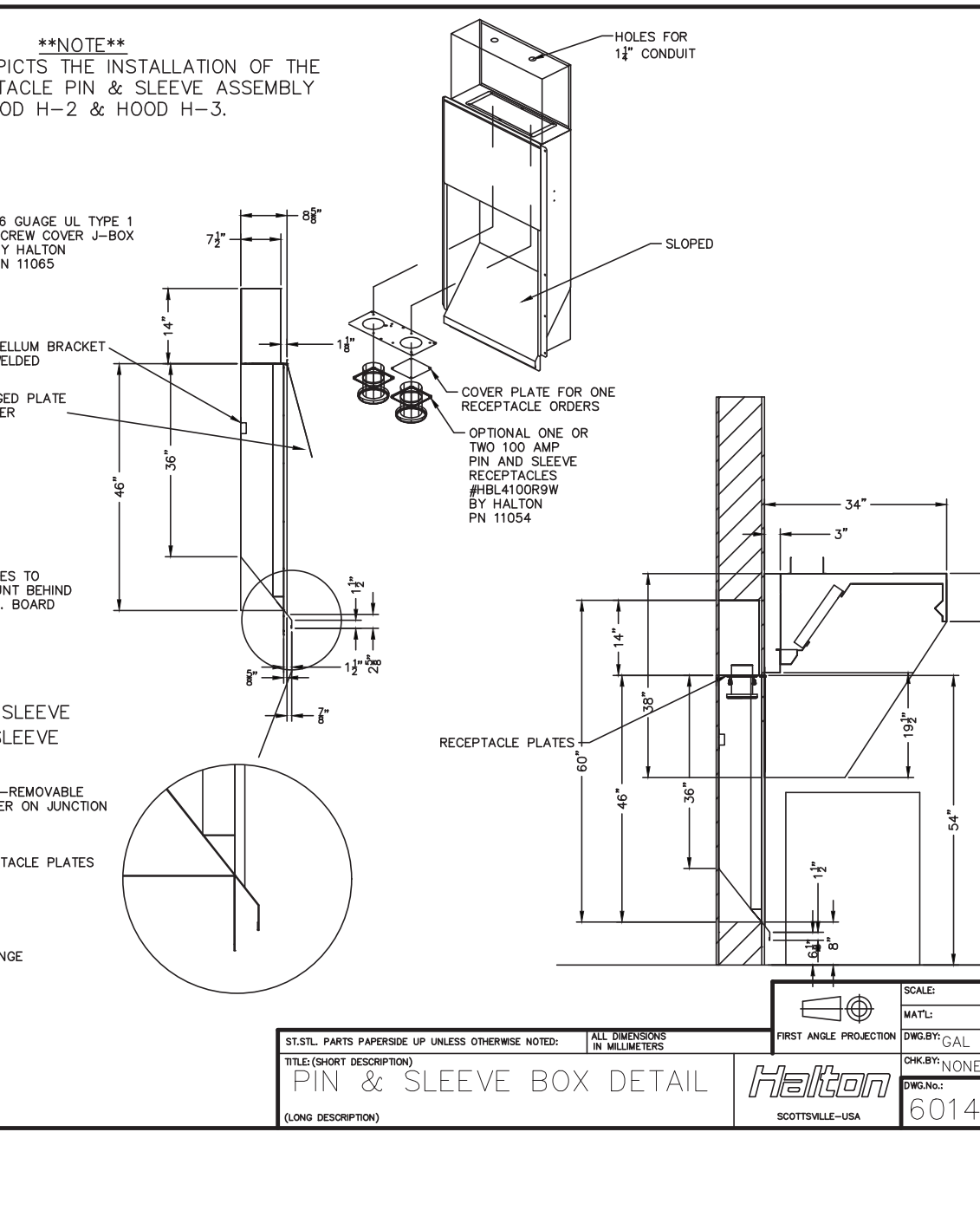
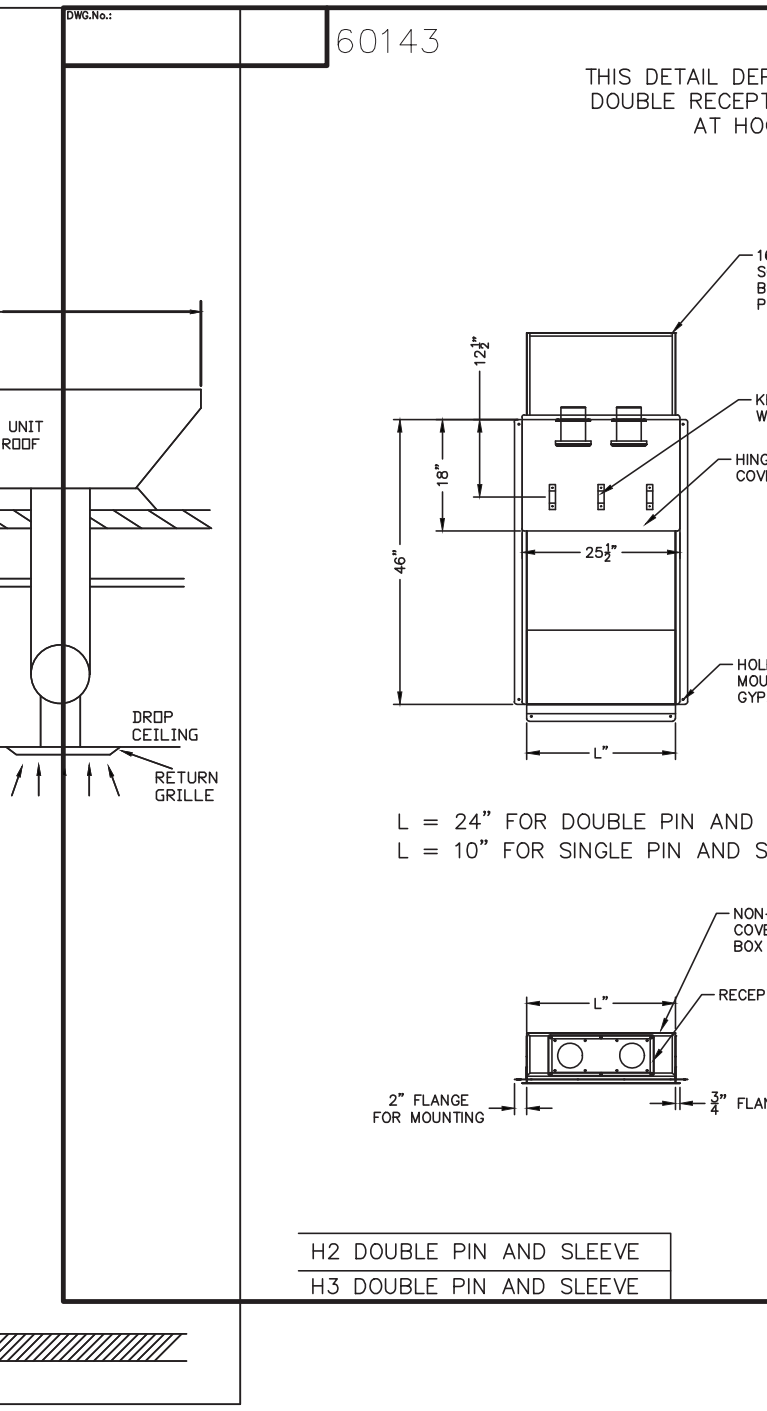
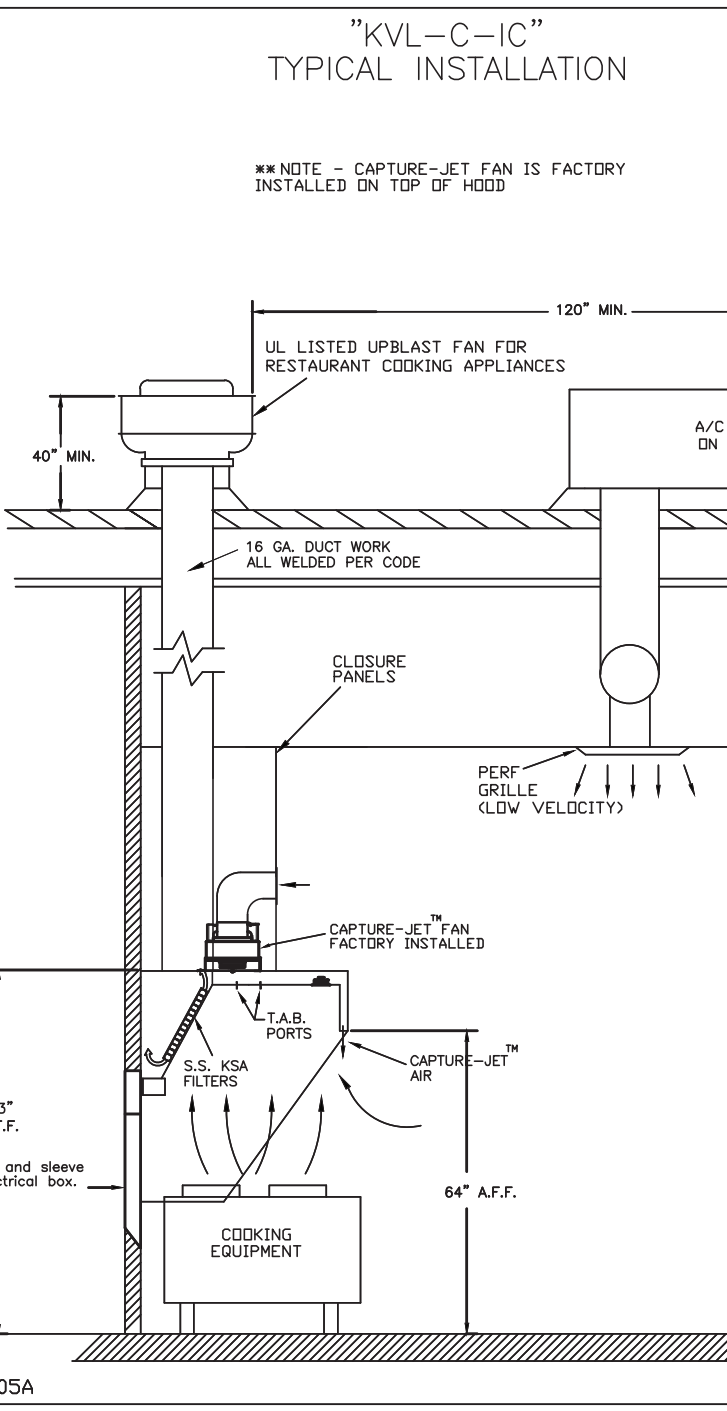
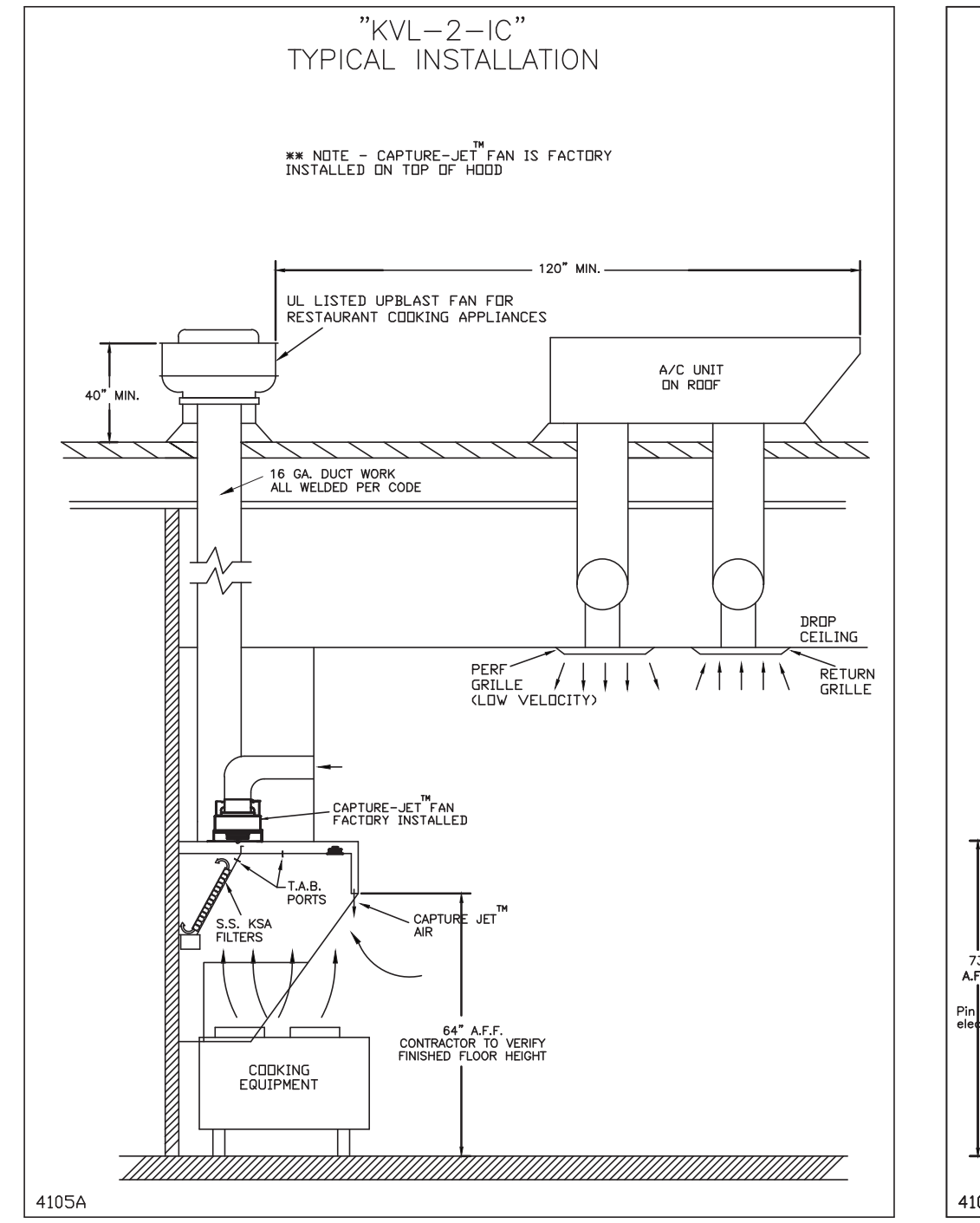
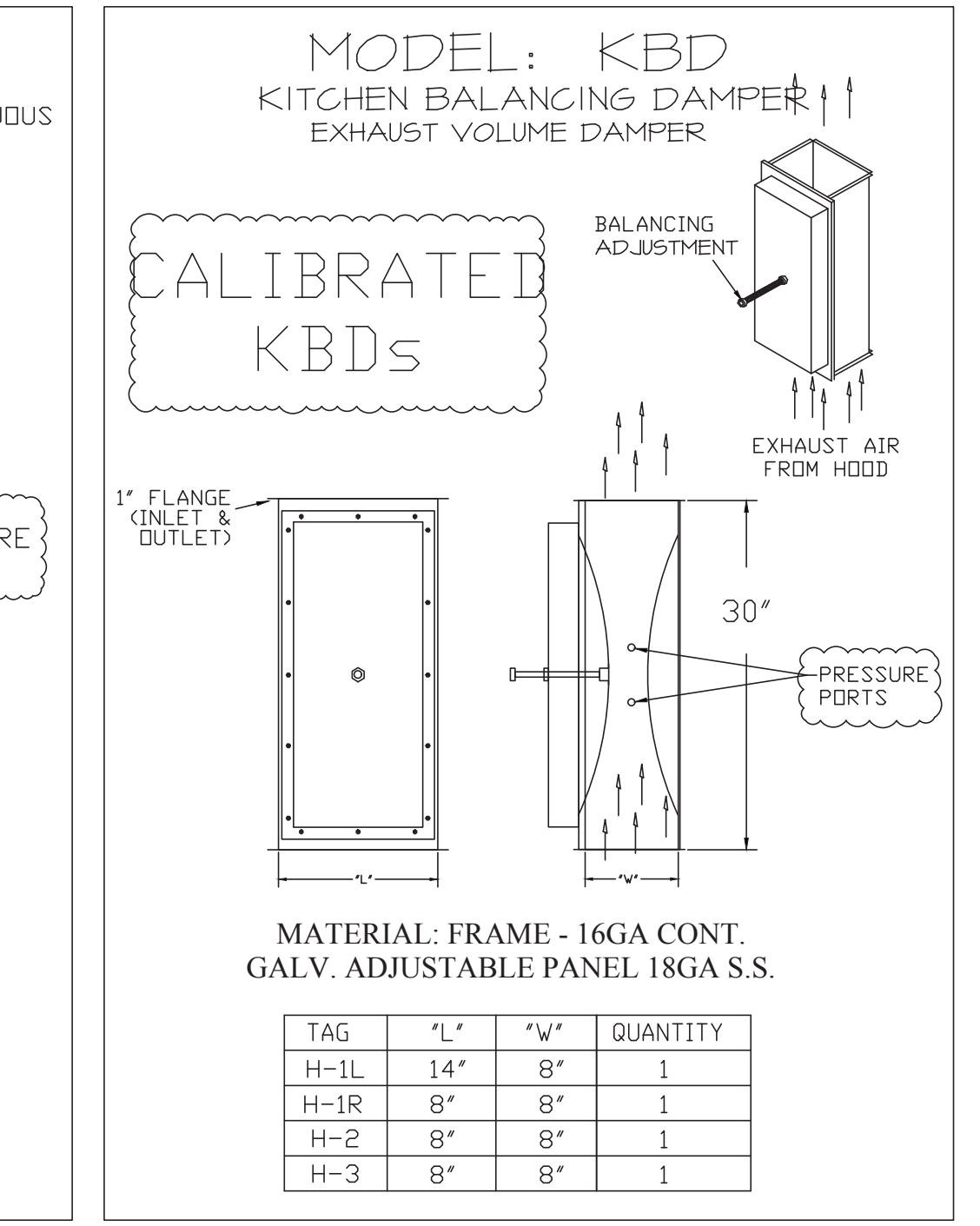
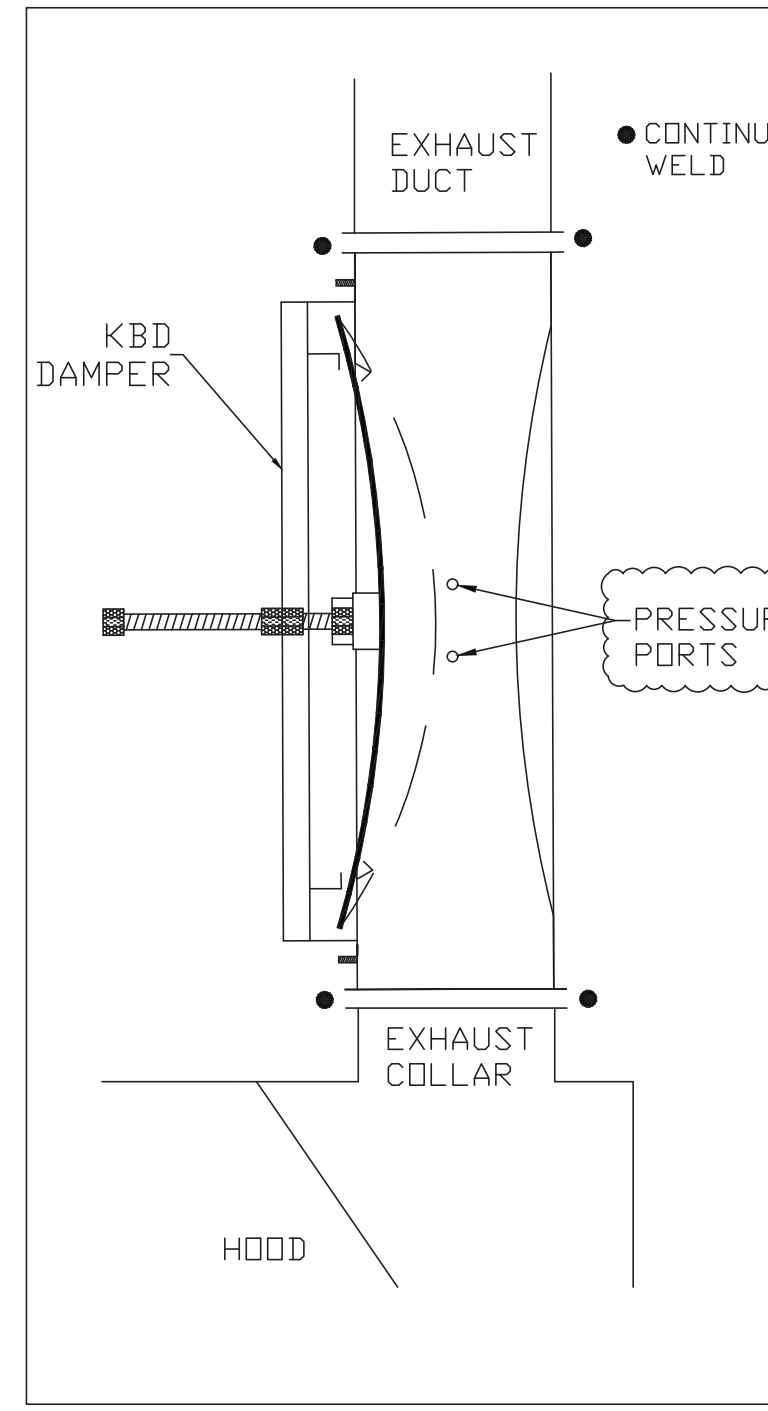
- ALL DIMENSIONAL INFORMATION, MOUNTING POSITIONS.
- THE LOCATION AND TYPE OF COOKING EQUIPMENT.

NOTE TO APPROVER: ANY CHANGES IN COOKING EQUIPMENT SUCH AS INCREASED ENERGY INPUTS OR EQUIPMENT MANUFACTURER'S RECOMMENDATIONS FOR EXHAUST FLOW VELOCITY MAY BE REQUIRED.

REVISION AND RESUBMIT: WITH CHANGES AS NOTED

APPROVED FOR FABRICATION: WITH NO CHANGES

APPROVED BY: _____ DATE: _____



HALTON HOODS
 - ETL LISTED PER LATEST 710 STANDARD
 - BUILT PER NFPA 96
 - NSF LISTED

CONFORMS TO UL STD. UL STD. 710 CERTIFIED TO UL STD. 5446

HALTON COMPANY, 101 INDUSTRIAL DR., SCOTTSVILLE, KY 42164

MODEL NO. SERIAL NO. ITEM NO.

GENERAL REQUIREMENTS

FILTER TYPE EXHAUST HOOD FOR COMMERCIAL AND INSTITUTIONAL KITCHENS

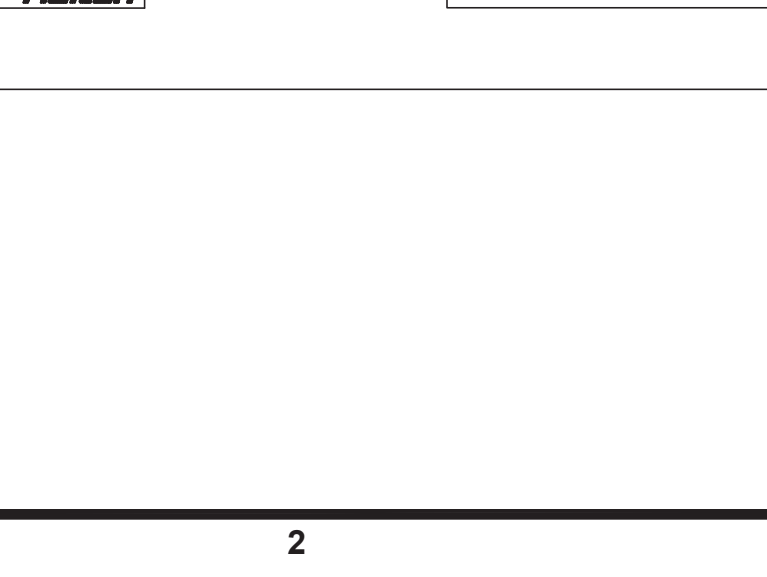
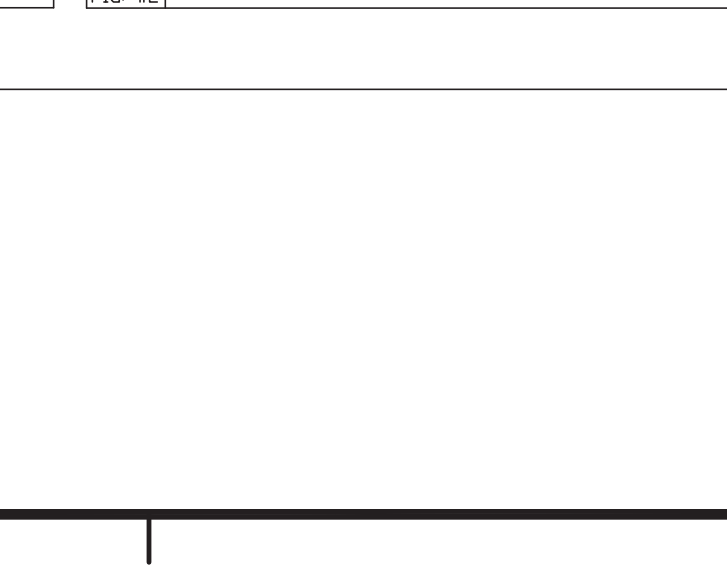
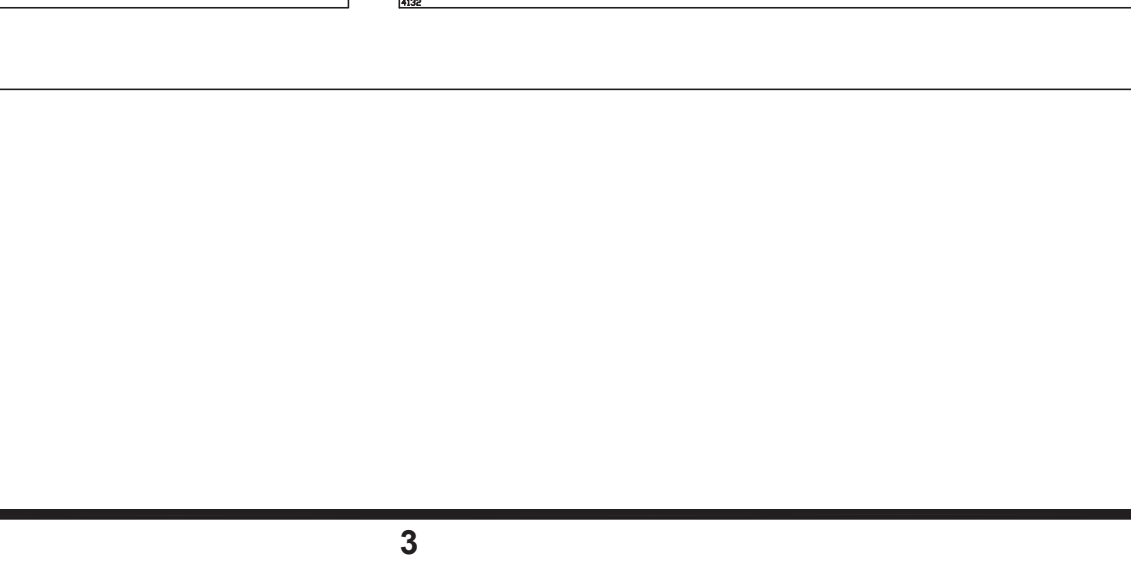
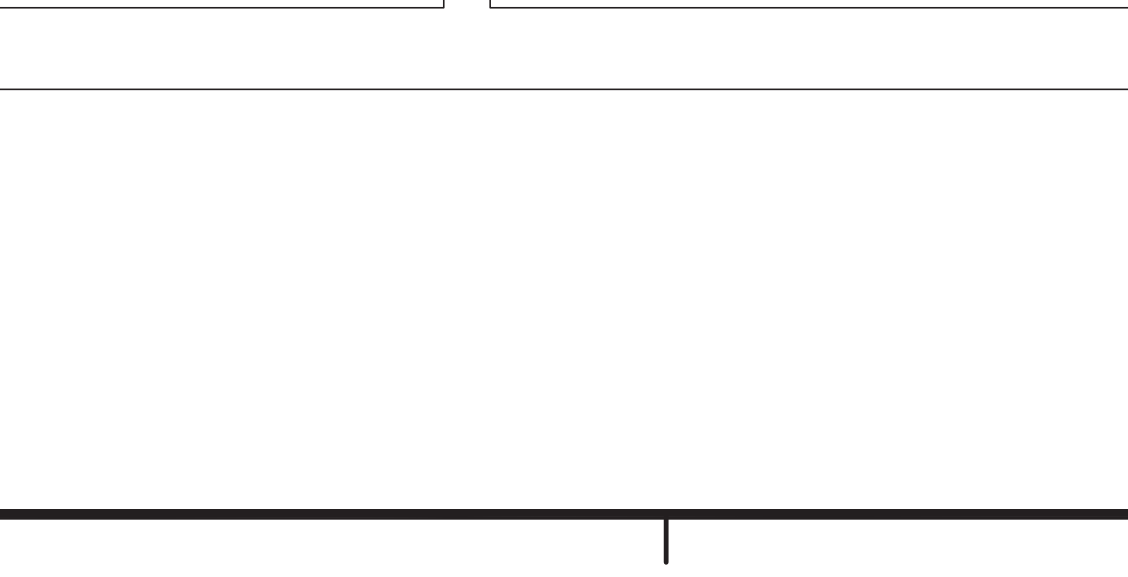
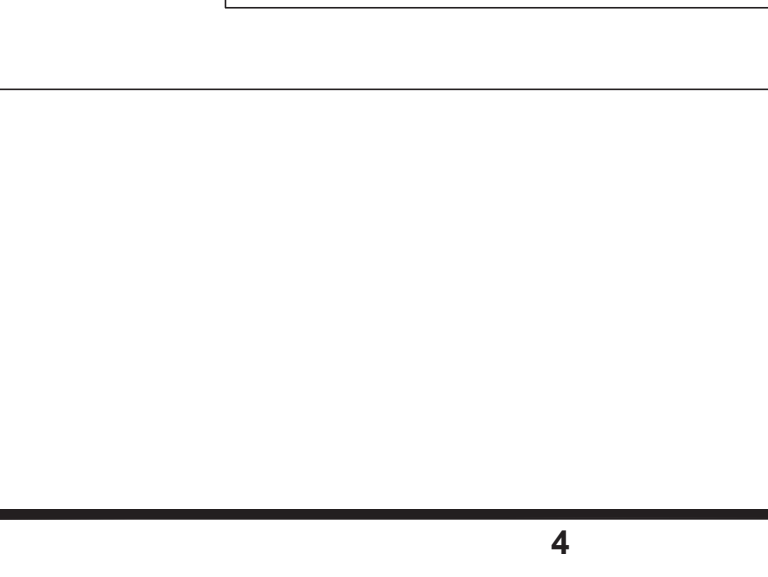
THE HOOD IS PROVIDED WITH REPLACEABLE KSA FILTERS AND LIGHTING FEATURES

REPLACE FILTERS ONLY WITH AL CLASSIFIED FILTER TYPE OF THE SAME MAKE AND MANUFACTURER

SUITABLE FOR USE TO HEAVY DUTY COOKING APPLIANCES

DUTY LEVEL	MINIMUM OVERHANG	ESTIMATED EXHAUST CAPACITY (CFM)	MIN. EXHAUST HOOD LENGTH
MEDIUM	6" 0"	30	36
MEDIUM	6" 0"	30	36
MEDIUM	6" 0"	30	36
MEDIUM	6" 0"	30	36

LET SUPPLY AIR FLOW SHALL ONLY BE SET AT 0.25 IN HOOD



MAIL APPROVED DRAWINGS TO APPROPRIATE FACTORY BELOW:

HALTON CO. (USA) 101 INDUSTRIAL DRIVE SCOTTSVILLE KY 42164
 L-270-237-5600

HALTON CO. (CANADA) 102 BRICK PLACE MISSISSAUGA ONT L4R 3R7
 L-905-624-0301

REVISION DESCRIPTION

REV.	DATE	DESCRIPTION
1		

WEBSITE: www.halton.com

PROJECT: CHICK-FIL-A #2466

LOCATION: RICHMOND, KY

DRAWN BY: CG

DATE: 11/17/22

SCALE: NOT TO SCALE

DRAWING NO.: U22-883-01

SHEET NO.: H-1.1

Chick-fil-A
 5200 Buffington Road
 Atlanta, Georgia
 30349-2998

INTERPLAN LLC
 INTERPLAN LLC
 AR0011595
 CA 8660

ARCHITECTURE
 ENGINEERING
 PERMITTING

220 E. CENTRAL PKWY, STE 4000
 ALAMONTÉ SPRINGS, FL 32701
 407.645.5038

FOR INFORMATION ONLY

CHICK-FIL-A
RICHMOND CENTRE
 2072 Lantern Ridge Dr
 Richmond
 KY 40475

FSR#02466
 BUILDING TYPE / SIZE: S08-C

RELEASED
 PRINTED FOR CONSTRUCTION

REVISION SCHEDULE

NO.	DATE	DESCRIPTION

CONSULTANT PROJECT # 2020.0214
 DATE September 2022
 DRAWN BY AM
 CHECKED BY DAK

Information contained on this drawing and all digital files produced for above named project may not be reproduced or transmitted in any form or by any means, electronic or mechanical, including photocopying, recording, or by any information storage and retrieval system, without the prior written permission of the project architect.

HOOD DETAILS

SHEET NUMBER
MH1.1

MARIBR - 04/27/2023 12:43:57 PM

