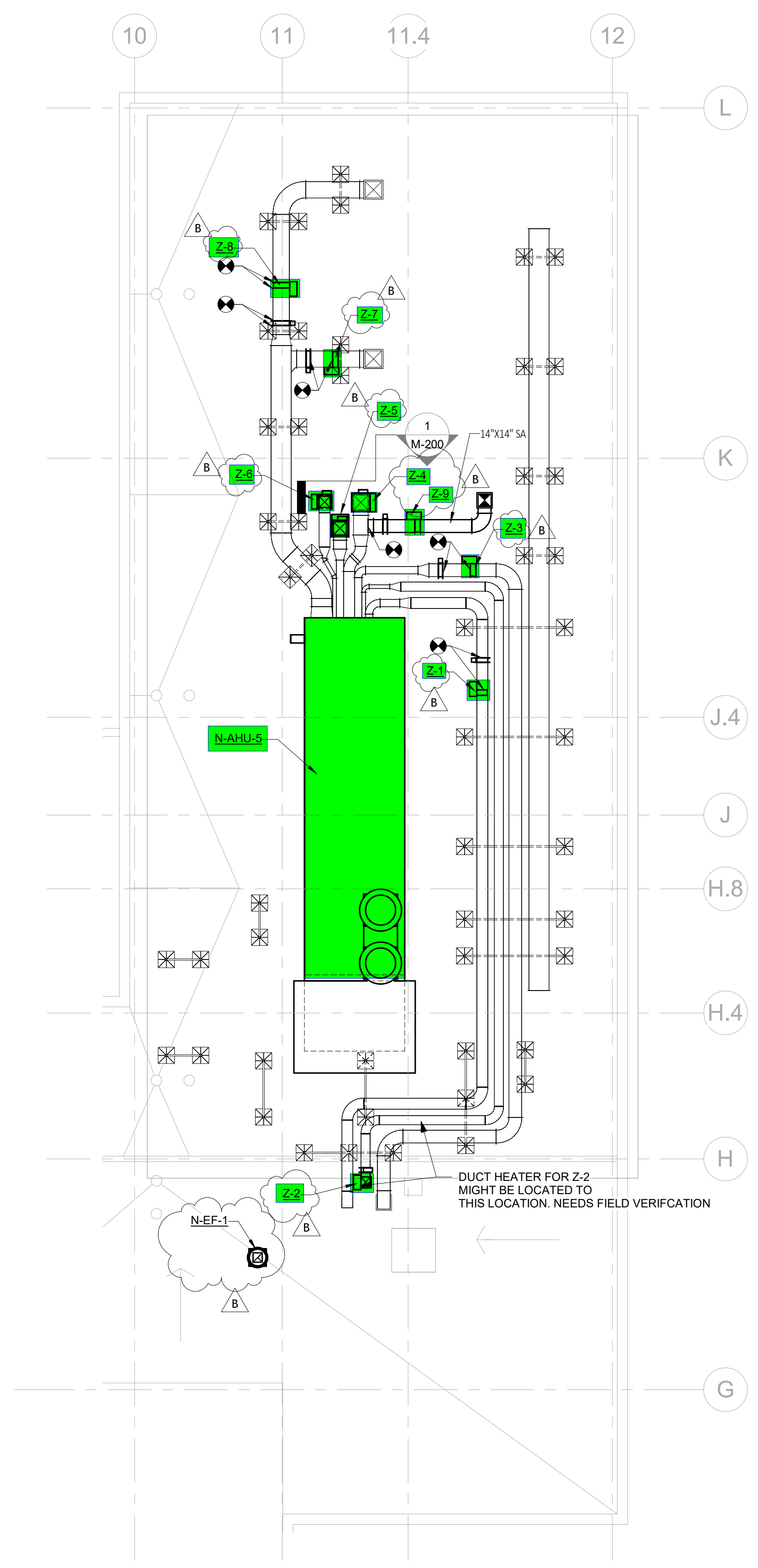


THIS DOCUMENT, INCLUDING ALL IDEAS AND DESIGNS, IS AN INSTRUMENT OF PROFESSIONAL SERVICE, AND SHALL NOT BE USED, IN WHOLE OR IN PART, FOR ANY OTHER PROJECT WITHOUT EXPRESSED WRITTEN CONSENT OF COMFORT SYSTEMS USA. ANY UNAUTHORIZED USE, REUSE, MODIFICATION, ALTERATION, INCLUDING AUTOMATED CONVERSION OF THIS DOCUMENT SHALL BE AT THE USER'S SOLE RISK WITHOUT LIABILITY OR LEGAL EXPOSURE TO COMFORT SYSTEMS USA.



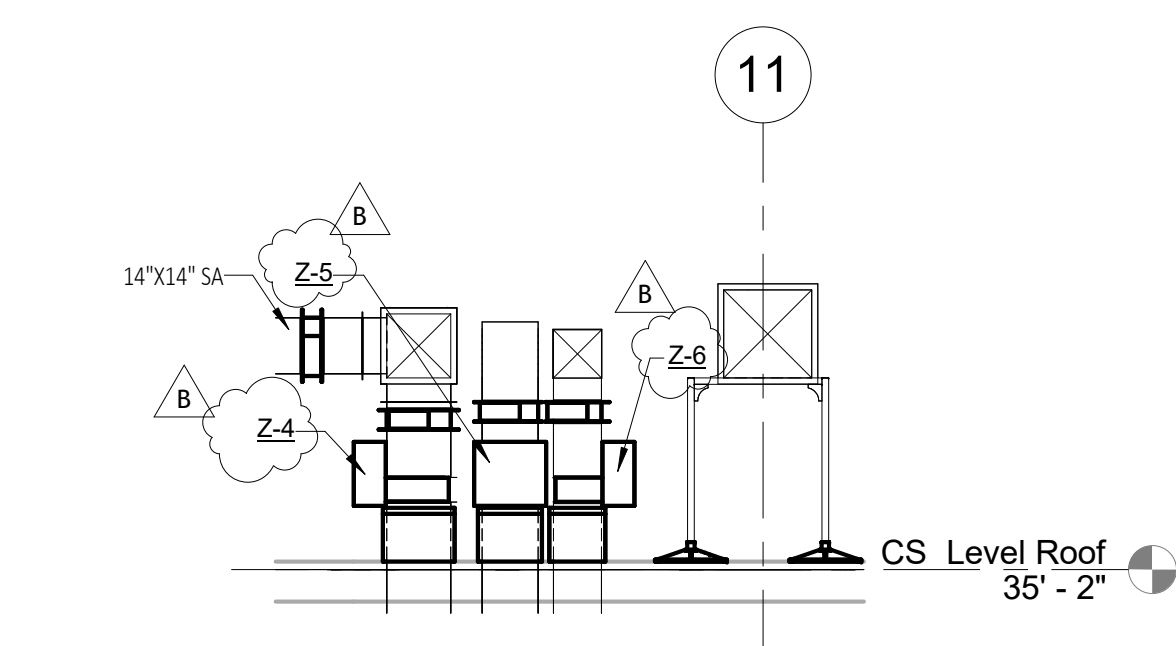
MECHANICAL PLAN - ROOF
1/8" = 1'-0"

BUILD AHU-5 AS (PER SCHEDULE) AS DUAL FAN AND BLANK VAV'S FOR EACH Z TAG (9) DON'T BUILD EF-1

HEATER SCHEDULE											
OPTIONS/ACCESSORIES:											
A.) SCR CONTROL						D.) POWER FUSING					
B.) AIRFLOW SWITCH											
C.) DISCONNECT SWITCH											
TAG	BASIS OF DESIGN (OR APPROVED EQUAL)	MODEL NUMBER	CONNECTION SIZE INFORMATION		HEATING (KW)	ELECTRICAL INFORMATION				MOUNTING	OPTIONS/ACCESSORIES
			WIDTH	HEIGHT		VOLTS/PHASE	AMPS	MCA	MOCP		
Z-1	Greenheck	IDHE-O	12	12	12.0	480/3	14.4	14.4	20	DUCT	A,B,C,D
Z-2	Greenheck	IDHE-O	12	10	5.0	480/3	6.0	6.0	15	DUCT	A,B,C,D
Z-3	Greenheck	IDHE-O	14	14	15.0	480/3	18.0	18.0	25	DUCT	A,B,C,D
Z-4	Greenheck	IDHE-O	16	16	15.0	480/3	18.0	18.0	25	DUCT	A,B,C,D
Z-5	Greenheck	IDHE-O	14	14	17.0	480/3	20.4	20.4	30	DUCT	A,B,C,D
Z-6	Greenheck	IDHE-O	12	12	8.0	480/3	9.6	9.6	15	DUCT	A,B,C,D
Z-7	Greenheck	IDHE-O	18	18	30.0	480/3	36.0	36.0	50	DUCT	A,B,C,D
Z-8	Greenheck	IDHE-O	18	16	30.0	480/3	36.0	36.0	50	DUCT	A,B,C,D
Z-9	Greenheck	IDHE-O	14	14	15.0	480/3	18.0	18.0	25	DUCT	A,B,C,D

AIR HANDLER UNIT SCHEDULE																
OPTIONS/ACCESSORIES:																
A.) SUPPLY AIR FAN/MOTOR SPRING VIBRATION ISOLATION							D.) THREE PASS HEAT EXCHANGER									
B.) EXHAUST FAN ASSEMBLY							E.) (5) HERMETIC SCROLL COMPRESSOR - MODEL # YA154K1E-TFD-ERT									
C.) TAMCO SERIES 1000 LOW LEAKAGE ALUMINUM AIR-FOIL PARALLE BLADE																
TAG	BASIS OF DESIGN (OR APPROVED EQUAL)	MODEL NUMBER	FAN INFORMATION			PERFORMANCE INFORMATION	GAS HEAT INFORMATION			PIPE CONNECTION SIZES		ELECTRICAL INFORMATION			WEIGHT (IN LBS)	OPTIONS/ACCESSORIES
			SUPPLY AIR CFM	EXHAUST AIR CFM	ESP (IN WG)		TOTAL COOLING (MBH)	INPUT (MBH)	OUTPUT (MBH)	PRESSURE MIN (IN WG)	CONDENSATE	GAS	VOLTS/PHASE	MCA		
N-AHU-5	ENGINEERED AIR	FW655/DJE140I/O/HRP/MV/R/C	12,000	12,000	1.00	769.0	1,200	960	7.00	1 1/2"	1 1/4"	480/3	179	200	25,200	A,B,C,D,E

FAN SCHEDULE													
OPTIONS/ACCESSORIES:													
A.) ROOF CURB - 18" TALL													
B.) GRAVITY BACKDRAFT DAMPER - 10"X10"													
TAG	BASIS OF DESIGN (OR APPROVED EQUAL)	MODEL NUMBER	CFM	ESP (IN WG)	ELECTRICAL INFORMATION				HORSEPOWER	WEIGHT (LBS)	OPTIONS/ACCESSORIES		
					VOLTS/PHASE	MCA	MOCP	FLA				RPM	
N-EF-1	Greenheck	CUE-095-VG	350	0.38	115/1	3	15	2.3	1,725	0.17	65	A,B	



Z-3/Z-4/Z-5 RISER
1/4" = 1'-0"

B	05.13.25	REVISED ZONE NAMES, ADDED EXHAUST FAN
A	04.30.25	ISSUED FOR REVIEW
NUMBER	DATE	DESCRIPTION
REVISION SCHEDULE		
COMFORT SYSTEMS USA NAME & LOCATION: MANE 2501 HENKLE DRIVE LEBANON, OH 45036		PROJECT NAME: PILOT PLANT SHEET TITLE: MECHANICAL PLAN - ROOF
JOB NUMBER: 5240	DRAWN BY: PD	SCALE: As indicated
DATE: Issue Date	SHEET NUMBER: M-200	