

DIVISION 15 SPECIFICATIONS

PART I - GENERAL

1.01 SCOPE

- A. IT IS THE RESPONSIBILITY OF CONTRACTOR TO READ ALL SPECIFICATIONS AND CONSULT ALL DRAWINGS WHICH MAY AFFECT THE INSTALLATION AND COORDINATION OF WORK WITH OTHER TRADES. CONTRACTOR SHALL COORDINATE AND MAKE MINOR ADJUSTMENTS IN LOCATION OF EQUIPMENT AND MATERIALS AS NECESSARY FOR COORDINATION.
- B. COMPLETED INSTALLATION SHALL CONFORM TO ALL APPLICABLE FEDERAL, STATE AND LOCAL CODES AND ORDINANCES.
- C. SYSTEM LAYOUT IS SCHEMATIC AND EXACT LOCATIONS SHALL BE DETERMINED BY STRUCTURAL CONDITIONS, COORDINATION WITH OTHER TRADES, COORDINATION WITH FINISHES AND OTHER CONDITIONS. STRUCTURAL SUPPORTS SHALL NOT BE CUT OR ALTERED TO ASSURE FIT OF HVAC SYSTEM. TEN FOOT CLEARANCE SHALL BE MAINTAINED BETWEEN OUTSIDE AIR INTAKES AND EXHAUST FANS AND PLUMBING VENT TERMINALS.
- D. CONTRACTOR SHALL BE RESPONSIBLE FOR ALL DEFECTS, REPAIRS AND REPLACEMENTS IN MATERIALS AND WORKMANSHIP FOR A PERIOD OF ONE (1) YEAR AFTER FINAL PAYMENT IS APPROVED. CONTRACTOR SHALL HONOR FACTORY WARRANTIES ON ALL EQUIPMENT PROVIDED AS PART OF THIS SYSTEM.
- E. UPON COMPLETION OF PROJECT, ALL SYSTEM EQUIPMENT AND MATERIALS SHALL BE IN NEW, CLEAN CONDITION WITH ALL DAMAGE RESTORED TO CONDITION ACCEPTABLE TO THE OWNERS REPRESENTATIVE. ALL EQUIPMENT, COMPONENTS, DUCTWORK AND AIR DEVICES SHALL BE INSPECTED AND THOROUGHLY CLEANED, CLEARED OF DEBRIS, AND READY FOR USE. AT COMPLETION OF JOB, ALL MISCELLANEOUS TOOLS, SCAFFOLDING, SURPLUS MATERIALS, RUBBISH AND DEBRIS SHALL BE REMOVED BY CONTRACTOR.
- F. CONTRACTOR SHALL PROVIDE TWO SETS OF 2" MERV 8 OR HIGHER THROW AWAY TYPE FILTERS. A CLEAN SET SHALL BE PROVIDED PRIOR TO TEST AND BALANCE AND AGAIN PRIOR TO OPENING.

PART II - PRODUCTS

2.01 HEATING AND COOLING EQUIPMENT

- A. FURNISH AND INSTALL R-410A ROOFTOP SINGLE PACKAGE COMBINATION ELECTRIC COOLING AND NATURAL GAS FIRED HEATING UNITS AS SHOWN ON DRAWINGS. EQUIPMENT SHALL BE ARI CERTIFIED AND A.G.A. AND U.L. LISTED.
- B. ACCESSORIES SHALL INCLUDE LOW AND HIGH PRESSURE SAFETIES, CRANK CASE HEATER, OVERCURRENT AND OVERTEMPERATURE SAFETY, COMPRESSOR VIBRATION ISOLATORS, FILTER DRIERS, REFRIGERANT SERVICE VALVES, COIL HAIL GUARDS WHERE SCHEDULED, CONVENIENCE OUTLETS FACTORY INSTALLED ON SCHEDULED UNITS, UNIT MOUNTED NON-FUSED DISCONNECTS, LOW AMBIENT OPERATION DOWN TO 30 DEGREES F AND EVAPORATOR FREEZE STAT.
- C. COMPRESSORS SHALL BE HERMETIC SCROLL TYPE WITH INTERNAL VIBRATION ISOLATORS. COMPRESSORS SHALL BE PROVIDED WITH A MINIMUM FIVE (5) YEAR FULL WARRANTY.
- D. THE UNIT HEAT EXCHANGERS SHALL BE ALUMINIZED STEEL COATING. HEATING CONTROLS SHALL CONSIST OF REDUNDANT GAS VALVES, INTERMITTENT PILOT WITH ELECTRONIC SPARK OR HOT PLATE IGNITION SYSTEM, COMBUSTION/EXHAUST FAN PROTECTED BY CENTRIFUGAL SWITCHES, HEAT LIMIT SWITCHES, TIME-DELAY RELAY, FLAME, AND PILOT SENSORS. HEAT EXCHANGERS SHALL HAVE A TEN (10) YEAR WARRANTY. BURNERS SHALL BE IN-SHOT TYPE. THE DRAFT MOTOR SHALL BE MONITORED BY THE CONTROL SYSTEM.

2.02 DUCTWORK (C15735)

- A. ACCEPTABLE MANUFACTURERS OF INSULATION SHALL BE: JOHNS MANVILLE, OWENS CORNING OR KNAUF.
- B. ALL DUCTWORK SHALL BE SHEET METAL, UNLESS NOTED OTHERWISE (U.N.O.).
- C. DUCT DIMENSIONS SHOWN ARE INSIDE CLEAR DIMENSIONS, U.N.O.
- D. CONSTRUCTION OF DUCTWORK SHALL MEET SMACNA 1" W.C. PRESSURE CLASS STANDARD AND RECOMMENDATIONS. SMACNA SHALL BE FOLLOWED WITH RESPECT TO GAGE THICKNESS, JOINTS, REINFORCING, CONSTRUCTION, INSTALLATION AND SUPPORT FOR PRESSURE CLASS STATED. ALL TRANSVERSE JOINTS IN RECTANGULAR AND ROUND DUCT INCLUDING DUCT CONNECTION TO AIR DEVICE COLLAR SHALL BE SEALED PER SMACNA SEAL CLASS C WITH U.L. DUCT MASTIC SEALANT APPROVED FOR INTENDED USE. DUCT TAPE IS NOT AN ACCEPTABLE SUBSTITUTE FOR MASTIC UNLESS EQUAL TO HARDCAST FOIL-GRIP 1402 BUTYL RUBBER ADHESIVE TAPE.
- E. DUCT SHALL BE SUPPORTED AT BASE OF DUCT DROPS. CURB DUCT RAIRS ARE NOT INTENDED TO AND SHALL NOT SUPPORT THE WEIGHT OF THE DUCT.
- F. ALL DUCT WRAP SHALL BE MINIMUM 2" THICK, 3/4 PCF AND 6 R-VALUE INSTALLED WITH EITHER A VAPOR BARRIER WITH MAXIMUM PERMEANCE 0.05 OR A MINIMUM 2 MIL ALUMINUM REINFORCED FOIL/KRAFT FACING.
- G. ALL DUCT DROPS FROM THE ROOFTOP UNITS SHALL BE EXTERNALLY INSULATED.
- H. SUPPLY AND RETURN AIR DUCTWORK SERVING ALL AREAS SHALL BE EXTERNALLY INSULATED.
- I. ALL AIR CONVEYANCE COMPONENTS SUCH AS, BUT NOT LIMITED TO DUCT, DUCT PLENUMS, GRILLES/DIFFUSERS, BACK PANS, AND BOOTS SHALL BE INSULATED. INSULATION TYPE IS COVERED ELSEWHERE IN THIS SPECIFICATION.
- J. RESTROOM RECTANGULAR EXHAUST AIR DUCTWORK SHALL BE LINED WITH 1" THICK, 1-1/2 PCF INSULATION. RESTROOM ROUND EXHAUST DUCT SHALL BE EXTERNALLY INSULATED PER SECTION 2.02F.
- K. DUCT DROPS SHALL BE ISOLATED FROM UNIT VIBRATION WITH THE USE OF NFPA AND U.L. APPROVED FLEXIBLE CONNECTORS INSTALLED AT THE TOP OF BOTH SUPPLY AND RETURN DROPS.
- L. INSULATED FLEXIBLE DUCT MAY BE UTILIZED FOR RUNOUTS TO GRILLES AND DIFFUSERS ONLY IN THE HORIZONTAL POSITION AND IN MAXIMUM LENGTHS OF 4'-0", NO EXCEPTIONS.
- M. CONSTRUCTION OF FLEXIBLE DUCTWORK SHALL INCLUDE SPIRAL METAL HELIX BONDED TO A POLYESTER CORE, FIBERGLASS INSULATION WITH POLYETHYLENE OR MYLAR VAPOR BARRIER. ALL COMPONENTS SHALL HAVE APPROPRIATE U.L. APPROVAL AND SHALL BE EQUIVALENT TO THERMAFLEX MKE. FLEX DUCT SHALL HAVE A MINIMUM R-VALUE OF 6.
- N. FLEXIBLE DUCT SHALL BE INSTALLED PER THE "ADC FLEXIBLE DUCT PERFORMANCE AND INSTALLATION STANDARDS, 4TH ED" USING FOIL TAPE AND DRAWBAND ON THE INNER CORE AND TAPE OR DRAWBAND ON THE OUTER JACKET.
- O. DUCT TAPE SHALL BE EQUAL TO FASSON 181-B FX, 2-1/2" WIDE.
- P. SINGLE THICKNESS TURNING VANES SHALL BE INSTALLED AT ALL 90 DEGREE ELBOWS WHERE THE CENTERLINE RADIUS (R) IS LESS THAN THE WIDTH OF THE DUCT AND ANY ONE DIMENSION IS GREATER THAN 12".
- Q. EXTERNAL INSULATION ON BOTTOM OF DUCTS 24" OR WIDER SHALL BE SUPPORTED WITH STICK PINS ON 18" CENTERS. STICK PIN WASHERS SHALL BE COVERED WITH DUCT TAPE OR MASTIC.

2.03 CONTROLS

- A. SYSTEMS SHALL BE COMPLETE WITH CONNECTIONS TO CFA-500 TEMPERATURE CONTROL PANEL AS MANUFACTURED BY SUNCOAST ENVIRONMENTAL CONTROLS (S.E.C.) (PH: 977-544-6879). THE PANEL IS PROVIDED AND MOUNTED BY THE ELECTRICAL CONTRACTOR. CONTROL WIRING TERMINATIONS ARE BY THE MECHANICAL CONTRACTOR WHERE PERMITTED BY AHJ.
- B. THE SMOKE DETECTORS SHALL BE FACTORY INSTALLED AND WIRED BY THE ROOFTOP UNIT MANUFACTURER.
- C. A FACTORY INSTALLED SMOKE DETECTOR IN THE RETURN AIR SECTION OF EACH AIR CONDITIONING UNIT SHALL STOP THE INDOOR FAN AND CLOSE THE OUTSIDE AIR DAMPER IN THE EVENT OF EXCESSIVE TEMPERATURE OR SMOKE. SMOKE DETECTOR SHALL BE LOCATED PRIOR TO ANY EXHAUST FROM THE BUILDING OR MIXING WITH FRESH AIR MAKE-UP. UPON DETECTION, THE SYSTEM SHALL NOT RESTART UNTIL THE DEVICE IS MANUALLY RESET. DEVICES SHALL BE LOCATED WHERE THEY CAN BE EASILY ACCESSED AND WHERE CLEAR OF FILTERS.
- D. CHICK-FIL-A HAS A NATIONAL ACCOUNT WITH SUNCOAST ENVIRONMENTAL CONTROLS FOR THE SMOKE DETECTOR TEST/RESET ANNUCIATOR STATIONS. THE TEST/RESET STATIONS WILL BE PURCHASED BY THE ELECTRICAL CONTRACTOR AS A PART OF A NATIONAL ACCOUNT PACKAGE AND TURNED OVER TO THE MECHANICAL CONTRACTOR FOR INSTALLATION.
- E. THE REMOTE TEST/RESET ANNUCIATORS SHALL BE PROVIDED BY THE ELECTRICAL CONTRACTOR AND INSTALLED BY THE MECHANICAL CONTRACTOR. INSTALLATION BY MECHANICAL SHALL INCLUDE MOUNTING OF THE ANNUCIATORS AND ALL WIRING FROM EACH DEVICE TO THE RTU. ELECTRICAL WILL PROVIDE A JUNCTION BOX IN THE WALL WITH 1/2" CONDUIT STUBBED UP ABOVE THE CEILING FOR EACH REMOTE TEST STATION AS SHOWN ON THE ELECTRICAL PLANS. ANNUCIATOR SHALL BE SUNCOAST CONTROLS REMOTE TEST/RESET STATION WITH POWER LED, TROUBLE LED, ALARM LED, 90DB HORN AND TEST/RESET BUTTON.
- F. THE RESTROOM FAN SHALL BE INTERLOCKED TO THE LIGHTS SERVING THE MEN AND WOMEN'S RESTROOMS. THE HOOD FANS SHALL BE CONTROLLED VIA THE SUNCOAST CFA-500 CONTROL PANELS AND SWITCHES FOR CONTROL OF ALL FANS ARE BY ELECTRICAL CONTRACTOR.
- G. THERMOSTATS ARE PROVIDED AND INTEGRATED INTO THE TEMPERATURE CONTROL PANEL BY SUNCOAST ENVIRONMENTAL CONTROLS. SUNCOAST WILL PROVIDE A NETWORK THERMOSTAT US32-CFA THERMOSTAT PRE-WIRED IN THE TEMPERATURE CONTROL PANEL. REMOTE TEMPERATURE SENSOR(S) FOR EACH THERMOSTAT IS ALSO PROVIDED. MECHANICAL CONTRACTOR SHALL INSTALL ALL WIRING BETWEEN THE THERMOSTAT, THE REMOTE SENSOR(S) AND THE ROOFTOP UNIT.
- H. MECHANICAL CONTRACTOR SHALL INSTALL CONTROL WIRING IN 1/2" CONDUIT WHERE REQUIRED BY CODE. WHERE NOT REQUIRED TO BE IN CONDUIT, ALL WIRINGS SHALL BE RUN PARALLEL TO STRUCTURAL MEMBERS OR PERPENDICULAR WITH NO DIAGONAL ROUTING. ALL WIRING SHALL BE SECURED TO THE FRAMING TO PREVENT SAGGING IN RUNS. WIRING TO ROOFTOP UNITS SHALL BE ROUTED THROUGH THE FACTORY THRU-BASE FITTING IN THE UNIT BASE. NO SPLICING OF WIRING WILL BE ACCEPTED. ALL WIRING ABOVE THE ROOF SHALL BE INSTALLED IN EXTERIOR GRADE FLEXIBLE CONDUIT. ALL CONTROL WIRING AND CONTROL WIRING CONDUIT SHALL BE FURNISHED AND INSTALLED BY THE MECHANICAL CONTRACTOR. WIRING SHALL BE INSTALLED IN ACCORDANCE WITH LATEST EDITION OF NEC. ALL LOW VOLTAGE CONTROL WIRING SHALL BE NO LESS THAN 18 AWG MIN. CONTROL WIRING CONDUCTORS SHALL BE SIZED TO ACCOUNT FOR LOAD AND LENGTH OF RUN TO ALLOW SUFFICIENT VOLTAGE AVAILABLE AT CONTROLLED DEVICE TO OPERATE THE SYSTEM RELIABLY.

2.04 PIPING

- A. ALL ABOVE GRADE NATURAL GAS PIPING SHALL BE SCHEDULE 40 STEEL MEETING ASTM A53 WITH SCREWED OR WELDED FITTINGS AND GASKET TYPE UNIONS AND FLANGES. FOR SCREWED PIPING, PIPING SHALL BE JOINED WITH BLACK 150 POUND MALLEABLE IRON SCREWED FITTINGS AS ALLOWED BY LOCAL AUTHORITY. CONTRACTOR SHALL VERIFY THE NEED FOR WELDED PIPING AS REQUIRED BY THE LOCAL GAS CODE AND/OR APPLICABLE LOCAL ORDINANCES AND AMENDMENTS.
- B. ALL BELOW GRADE NATURAL GAS PIPING SHALL BE MEDIUM DENSITY POLYETHYLENE (PE) MEETING ASTM D2513 AS MANUFACTURED BY GASTITE WITH JOINING SYSTEM AS MANUFACTURED BY CON-STAB. TRANSITIONS FROM ABOVE GRADE RIGID PIPING TO PE BELOW GRADE PIPING SHALL BE MADE WITH ANODE-LESS RISER ASSEMBLY AS MANUFACTURED BY CON-STAB.

- C. PROVIDE AND INSTALL A CUT-OFF VALVE, UNION AND FULL SIZE DIRT LEG AT CONNECTION TO EACH GAS-FIRED PIECE OF EQUIPMENT. INSTALL PIPING AT AND ABOVE UNIFORMITY TO AS TO NO WAY OBSTRUCT EQUIPMENT ACCESS PANELS AND/OR ACCESS DOORS.
- D. ALL GAS PIPING ABOVE ROOF SHALL BE CLEANED FREE OF RUST AND PAINTED WITH COAT OF ZINC RUST PRIMER AND ONE COAT OF ALUMINUM BASE PAINT. METER AND GAS RISER SHALL BE PRIMED AND PAINTED TO MATCH BUILDING.
- E. NATURAL GAS PIPING SHALL BE LEAK TESTED IN ACCORDANCE WITH APPLICABLE CODE REQUIREMENTS AND MANUFACTURERS RECOMMENDATIONS.

PART III - EXECUTION

3.01 SCOPE

- A. FURNISH AND INSTALL SYSTEM IN ACCORDANCE WITH REFERENCED STANDARDS, APPLICABLE CODES, MANUFACTURER'S RECOMMENDATIONS AND AS INDICATED ON DRAWINGS.
- B. CONTRACTOR SHALL INSTRUCT THE OWNER'S REPRESENTATIVE IN ALL MATTERS PERTAINING TO THE PROPER MAINTENANCE OF EQUIPMENT FURNISHED UNDER THIS CONTRACT THROUGH DEMONSTRATION AND EXPLANATION OF OPERATING & MAINTENANCE MANUALS.
- C. CONTRACTOR SHALL PROVIDE A "SAMPLE MAINTENANCE PROPOSAL" TO THE OWNER'S REPRESENTATIVE IN ALL MATTERS PERTAINING TO THE PROPER MAINTENANCE OF EQUIPMENT FURNISHED UNDER THIS CONTRACT.
- D. CONTRACTOR SHALL COMPLETE A/C EQUIPMENT STARTUP DOCUMENTATION PROVIDED BY OWNER AND/OR MANUFACTURER. THIS SHALL INCLUDE RE-TORQUE OF ALL FIELD AND FACTORY HIGH VOLTAGE CONNECTIONS.

3.02 LEED PROJECTS

- A. CONTRACTOR SHALL COMPLETE RECEIPT INSPECTION CHECKLISTS PROVIDED IN THE COMMISSIONING PLAN WITHIN 5 DAYS OF RECEIVING EQUIPMENT ON SITE.
- B. CONTRACTOR SHALL COMPLETE PRE-FUNCTIONAL CHECKLISTS PROVIDED IN THE COMMISSIONING PLAN. CHECKLISTS SHALL BE RETURNED AT LEAST 5 DAYS PRIOR TO SCHEDULING FUNCTIONAL PERFORMANCE TESTING.
- C. CONTRACTOR SHALL PROVIDE A TECHNICIAN TO ASSIST THE THIRD PARTY COMMISSIONING AUTHORITY WITH FUNCTIONAL TESTING. FUNCTIONAL TESTING SHALL OCCUR AFTER ALL CONTROLS HAVE BEEN INSTALLED AND VERIFIED AND AFTER TEST AND BALANCE IS COMPLETE. THE FUNCTIONAL PERFORMANCE TEST PROCEDURES CAN BE FOUND IN THE COMMISSIONING PLAN.
- D. IF THE TOTAL TIME REQUIRED TO CORRECT PROBLEMS DURING TESTING IS GREATER THAN FORTY-FIVE (45) MINUTES (UNLESS EXTENUATING CIRCUMSTANCES EXIST), THE TEST SHALL BE CONSIDERED FAILED AND MUST BE REPEATED IN ITS ENTIRETY.
- E. RE-TESTING: DURING THE COURSE OF THE RETEST, IF AT ANY POINT A MAJOR DEFICIENCY IS DISCOVERED, THE TEST WILL BE STOPPED. REPEAT TESTS UNTIL ACCEPTABLE RESULTS ARE ACHIEVED. IF MORE THAN TWO FUNCTIONAL PERFORMANCE TESTS (ONE INITIAL TEST AND ONE RETEST) FOR ANY TYPE OF EQUIPMENT DUE TO ISSUES THAT THE CONTRACTOR HAD DIRECT OR INDIRECT CONTROL OVER ARE REQUIRED, THE COSTS FOR THE CFA TO WITNESS RETESTING OF SIMILAR TYPES OF EQUIPMENT UNTIL SATISFACTORY RESULTS ARE OBTAINED SHALL BE THE RESPONSIBILITY OF THE CONTRACTOR.

3.03 TEST & BALANCE

- A. OWNER SHALL TEST AND BALANCE MECHANICAL SYSTEM IN ACCORDANCE WITH NEBB, NBC OR AABC STANDARDS TO ASSURE CONFORMANCE WITH DESIGN. G.C. WILL MAKE MECHANICAL CONTRACTOR AVAILABLE DURING TEST AND BALANCE TO ASSIST TESTING AGENCY AND TO MAKE CORRECTIONS IMMEDIATELY NECESSARY. CONTRACTOR SHALL CORRECT ITEMS ON WRITTEN TEST AND BALANCE REPORT.
- B. ALL EQUIPMENT TO BE BALANCED MUST HAVE GONE THRU SUCCESSFUL START-UP PROCEDURE BY THE MECHANICAL CONTRACTOR (MC) PRIOR TO TAB VISIT.
- C. THE FLOOR OF THE RESTAURANT SHALL BE CLEARED OF DEBRIS, STAGED CONSTRUCTION MATERIALS, EQUIPMENT, ETC. WHICH MAY, IN THE OPINION OF THE TAB TECHNICIAN, OBSTRUCT ACCESS TO AIR DISTRIBUTION COMPONENTS IN AND ABOVE THE CEILING.
- D. EQUIPMENT ACCESS PANELS, DUCT AIR DEVICES SUCH AS BALANCING DAMPERS AND ACTUATORS SHALL BE ACCESSIBLE AND CLEAR OF PIPING, CONDUIT, FRAMING, SUPPORTS ETC..
- E. PROVIDE AN 8 FT PORTABLE A-FRAME STYLE LADDER DEDICATED FOR THE TAB TECHNICIAN'S USE DURING THE ENTIRE TAB EFFORT DURATION.

KITCHEN HOOD SYSTEMS NOTES

1. CHICK-FIL-A MAINTAINS A NATIONAL ACCOUNT WITH HALTON CO. FOR THE HOODS. CHICK-FIL-A WILL PURCHASE AND PROVIDE THE HOODS FOR INSTALLATION BY THE MECHANICAL CONTRACTOR. THE MECHANICAL CONTRACTOR SHALL BE RESPONSIBLE FOR RECEIVING THE HOODS. CONTACT HALTON CO. AT 270-237-5600 FOR MORE INFO.
2. THE FIRE SUPPRESSION SYSTEM SHALL CONSIST OF A COMPLETE WET CHEMICAL SYSTEM FURNISHED BY HALTON. THE HOOD SHALL BE FURNISHED PRE-PIPED BY HALTON.
3. THE FIRE SUPPRESSION SYSTEM EXTERNAL TO THE HOODS SHALL BE INSTALLED IN ACCORDANCE WITH HOOD MANUFACTURER'S SHOP DRAWINGS BY AN AUTHORIZED INSTALLER SELECTED AND HIRED BY HALTON. COST FOR INSTALLATION INCLUDED IN PRICE OF HOODS TO CFA.
4. HOOD EXHAUST DUCTWORK SHALL BE 16 GA. BLACK STEEL WITH CONTINUOUS LIQUID TIGHT WELD OF JOINTS & SEAMS.
5. TURNS IN GREASE EXHAUST DUCTWORK SHALL BE LONG RADIUS TYPE, WITH A CENTERLINE RADIUS R=3W/2, UNLESS OTHERWISE NOTED. NO MITERED FITTINGS ALLOWED.
6. ALL STAINLESS STEEL CLOSURE PANELS SHALL BE SUPPLIED BY HOOD MANUFACTURER AND INSTALLED BY THE MECHANICAL CONTRACTOR ACCORDING TO MANUFACTURER'S RECOMMENDATIONS.
7. SLOPE ALL GREASE EXHAUST DUCT BACK TO HOOD AT 1/4" PER FOOT OF RUN.
8. WRAP NEW GREASE DUCT WITH UNIFRAX FYREWAP. INSULATION ON ACCESS DOORS SHALL BE INSTALLED ACCORDING TO MANUFACTURER'S INSTALLATION RECOMMENDATIONS. UNIFRAX FYREWAP PRODUCT USED SHALL MEET LOCAL CODE REQUIREMENTS.
9. SUPPORT ALL HOODS WITH THREADED ROD AT EACH FACTORY SUPPORT POINT. EACH SUPPORT POINT MUST SUPPORT THE HOOD WEIGHT EQUALLY. ATTACH TO STRUCTURE AS DETAILED ON STRUCTURAL DRAWINGS. ATTACH HOOD TO WALL AT 16" INTERVALS ALONG FULL LENGTH OF HOOD ON TOP AND BOTTOM. ATTACHMENT TO WALL REQUIRES FIELD DRILLING OF SUPPORT ANGLE AT BACK OF HOODS. EACH WALL ATTACHMENT POINT MUST OCCUR AT A WALL STUD. ATTACHMENT HARDWARE TO BE #12-24 HEX HEAD SHEET METAL SCREW EQUAL TO TETRON SDS EDT265, LENGTH AS REQUIRED TO FULLY PENETRATE THE STUD.

LEGEND

A-12-400	TYPE - NECK SIZE - CFM	EF#1	EXHAUST FAN #1 (TYP.)
	SPIN-IN FITTING WITH MANUAL BALANCING DAMPER, WITHOUT SCOOP	AC#1	AIR CONDITIONING UNIT #1 (TYP.)
	SPIN-IN HARD FLEXIBLE DIFFUSER		RETURN/EXHAUST (TYP.)
	REMOTE TEMPERATURE SENSOR		SUPPLY DIFFUSER, SQ FACE (TYP.)
	HUMIDITY SENSOR		PLAN NOTE REFERENCE
	SMOKE DETECTOR		MANUAL VOLUME DAMPER
12x18	DUCT SIZE (reverse for elevation views) 1ST NUMBER - HORIZONTAL DIMENSION 2ND NUMBER - VERTICAL DIMENSION		DIRECTION OF THROW ON DIFFUSER
			CLOSED AIR PATTERN DEFLECTOR
	AIR DOOR SWITCH		GAS INFRARED HEATER (TYP.)
	ELECTRIC INFRARED HEATER	B/G	BELOW GRADE
	PULL STATION	T	THERMOSTAT

ABBREVIATIONS

EC	ELECTRICAL CONTRACTOR
GC	GENERAL CONTRACTOR
MC	MECHANICAL CONTRACTOR
PC	PLUMBING CONTRACTOR
O.C.	ON CENTER
IRH	INFRARED HEATER
CF	CIRCULATING FAN
TF	TRANSFER FAN
EF	EXHAUST FAN

GENERAL NOTES

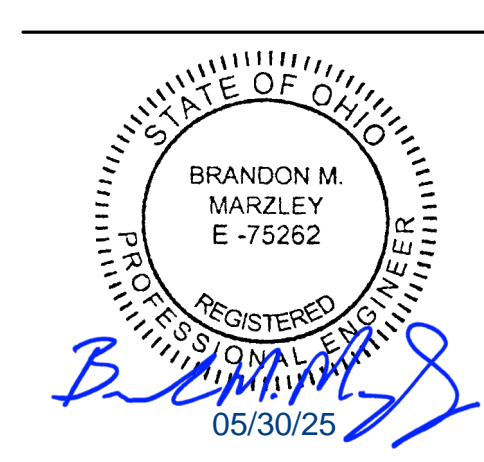
1. DUCT SIZES SERVING DIFFUSERS AND GRILLES ARE SAME SIZE AS DIFFUSER OR GRILLE NECK UNLESS NOTED OTHERWISE.
2. FLEXIBLE DUCT AND INSULATION NOT SHOWN FOR CLARITY.
3. FOR ALL ROOF EQUIPMENT, PROVIDE A PLASTIC ENGRAVED LABEL WITH 1" HIGH WHITE LETTERS ON A BLACK BACKGROUND. WITH A SELF ADHESIVE BACKING.
4. UNLESS NOTED OTHERWISE, MC TO ADJUST ALL DIFFUSER AIR PATTERN DEFLECTORS TO THROW HORIZONTALLY ALONG THE CEILING.
5. ALL EXHAUST DUCTWORK AND UNFINISHED METAL ON ROOF EXCEPT STAINLESS SHALL BE PREPARED WITH TWO COATS OF SHERWIN WILLIAMS PRO INDUSTRIAL DTM ACRYLIC COATING, SEMI-GLOSS, WHITE, DEGREASE AND PRIME BARE METAL SURFACE WITH ONE COAT OF SHERWIN WILLIAMS PRO INDUSTRIAL PRO-CRYLACRYLIC UNIVERSAL PRIMER, WHITE, PRIOR TO PAINTING.
6. MAINTAIN 18" CLEARANCE FROM GREASE EXHAUST DUCTWORK ABOVE ROOF TO ANY COMBUSTIBLE CONSTRUCTION INCLUDING PARAPET WALLS.

CANOPY GENERAL NOTES

1. COORDINATE WORK WITH CONDUIT, STRUCTURE, AND PIPING. FIELD VERIFY CONDITIONS PRIOR TO START OF WORK.
2. COORDINATE LOCATION AND RESPONSIBILITIES FOR UNDERGROUND PIPING AND ASSOCIATED TRENCHING WITH GENERAL CONTRACTOR PRIOR TO START OF WORK.
3. EXPOSED GAS PIPING SHALL BE COVERED WITH A RUST INHIBITING PAINT SUCH AS RUST-OLEUM 5200. PAINT COLOR SHALL MATCH STRUCTURE. ROOF MOUNTED GAS PIPING COLOR SHALL BE YELLOW.
4. CONTROL WIRING FOR HEATERS BY EC. COORDINATE REQUIRED WIRE GAUGE WITH EC. SEE CONTROLS PLAN AND ELECTRICAL DRAWINGS. (TYP.).



Chick-fil-A
5200 Buffington Road
Atlanta, Georgia
30349-2998



CHICK-FIL-A
FLAG CITY
1165 W TRENTON AVE
FINDLAY, OH 45840

FSR#05912
BUILDING TYPE / SIZE: P14 LE BN
RELEASE: 24.08
PRINTED FOR:
ISSUED FOR CONSTRUCTION
REVISION SCHEDULE
NO. DATE DESCRIPTION

CONSULTANT PROJECT # 2024223.31
DATE 05/30/25
DRAWN BY JDF

Information contained on this drawing and in all digital files produced for above named project may not be reproduced in any manner without express written or verbal consent from authorized project representatives.
SHEET
GENERAL NOTES, LEGENDS, SYMBOLS, AND ABBREVIATIONS
SHEET NUMBER

M-001

2021 IECC Commissioning Requirements for Mechanical

2021 IECC COMMISSIONING REQUIREMENTS

C408.1 MECHANICAL SYSTEMS SHALL BE DOCUMENTED IN ACCORDANCE WITH THE FOLLOWING SECTIONS.

- C408.1.1 PROVIDE AN OPERATION AND MAINTENANCE MANUAL WHICH INCLUDES THE FOLLOWING:
1. PROVIDE HVAC EQUIPMENT SUBMITTAL DATA.
 2. PROVIDE MANUFACTURER'S OPERATION AND MAINTENANCE MANUALS FOR HVAC EQUIPMENT. ROUTINE MAINTENANCE ACTIONS SHALL BE CLEARLY IDENTIFIED.
 3. PROVIDE THE NAME AND ADDRESS OF AT LEAST ONE HVAC SERVICE AGENCY.
 4. PROVIDE HVAC CONTROL SYSTEM MAINTENANCE AND CALIBRATION INFORMATION INCLUDING WIRING DIAGRAMS, SCHEMATICS, AND CONTROL SEQUENCES. TENANT DESIRED OR FIELD-DETERMINED SETPOINTS SHALL BE PERMANENTLY RECORDED ON CONTROL DRAWINGS AT CONTROL DEVICES OR IN SYSTEM PROGRAMMING INSTRUCTIONS.
 5. PROVIDE A NARRATIVE OF HOW EACH SYSTEM IS INTENDED TO OPERATE, INCLUDING RECOMMENDED SETPOINTS.

C408.2 COMMISSIONING OF MECHANICAL SYSTEMS SHALL BE PERFORMED IN ACCORDANCE WITH THE FOLLOWING SECTIONS.

- C408.2.1 A COMMISSIONING PLAN SHALL BE DEVELOPED IN ACCORDANCE WITH THIS SECTION AND SHALL INCLUDE THE FOLLOWING ITEMS:
1. A NARRATIVE DESCRIPTION OF THE ACTIVITIES TO BE PERFORMED.
 2. A LIST OF THE SYSTEMS AND EQUIPMENT REQUIRED TO BE COMMISSIONED.
 3. A LIST OF THE TEST FUNCTIONS TO BE PERFORMED ON THE CORRESPONDING EQUIPMENT.
 4. CONDITIONS UNDER WHICH THE TEST WILL BE PERFORMED.
 5. MEASUREABLE CRITERIA FOR PERFORMANCE.

C408.2.2 MECHANICAL SYSTEMS SHALL UNDERGO TEST AND BALANCE AND SHALL BE IN ACCORDANCE WITH THE CONSTRUCTION SPECIFICATIONS AS WELL AS THE 2021 IECC. AIR AND WATER FLOW RATES SHALL BE MEASURED AND ADJUSTED TO DELIVER FINAL FLOW RATES WITHIN THE TOLERANCES PROVIDED IN THE CONSTRUCTION SPECIFICATIONS.

C408.2.2.1 CONDUCT AIR SYSTEMS TEST AND BALANCE IN ACCORDANCE WITH THE REQUIREMENTS OF THIS SECTION AND THE CONSTRUCTION SPECIFICATIONS.

C408.2.2.2 CONDUCT WATER SYSTEMS TEST AND BALANCE IN ACCORDANCE WITH THE REQUIREMENTS OF THIS SECTION AND THE CONSTRUCTION SPECIFICATIONS.

C408.2.3 PERFORM FUNCTIONAL PERFORMANCE TESTING IN ACCORDANCE WITH THE FOLLOWING SECTIONS.

C408.2.3.1 PERFORM FUNCTIONAL PERFORMANCE TESTING FOR HVAC EQUIPMENT IN ORDER TO DEMONSTRATE THE OPERATION OF COMPONENTS, SYSTEMS AND SYSTEM-TO-SYSTEM INTERACTION IN ACCORDANCE WITH THE CONSTRUCTION DOCUMENTS AND MANUFACTURER REQUIREMENTS. TESTING SHALL INCLUDE FULL-LOAD, PART-LOAD AND EMERGENCY OPERATING CONDITIONS AND SHALL COVER ALL OPERATING MODES LISTED IN THE SEQUENCE OF OPERATION AS DEFINED IN THE CONSTRUCTION DOCUMENTS.

C408.2.3.2 HVAC SYSTEMS SHALL BE TESTED IN ORDER TO DOCUMENT THAT CONTROL DEVICES, COMPONENTS, EQUIPMENT AND SYSTEMS ARE CALIBRATED AND ADJUSTED TO OPERATE IN ACCORDANCE WITH CONSTRUCTION DOCUMENTS AND SPECIFICATIONS. HVAC CONTROL SYSTEMS

SHALL BE TESTED FOR ALL OPERATING MODES LISTED IN THE SEQUENCE OF OPERATION AS DEFINED IN THE CONSTRUCTION DOCUMENTS.

C408.2.3.3 AIRSIDE ECONOMIZERS SHALL UNDERGO FUNCTIONAL PERFORMANCE TESTING IN ORDER TO ENSURE OPERATIONAL MODES ARE FUNCTIONING IN ACCORDANCE WITH MANUFACTURER RECOMMENDATIONS.

C408.2.4 COMPLETE A PRELIMINARY COMMISSIONING REPORT OUTLINING TEST PROCEDURES AND RESULTS IN ACCORDANCE WITH THIS SECTION. THE REPORT SHALL IDENTIFY:

1. ITEMIZATION OF DEFICIENCIES FOUND DURING TESTING REQUIRED BY THIS SECTION THAT HAVE NOT BEEN CORRECTED AT THE TIME OF REPORT PREPARATION.
2. DEFERRED TESTS THAT CANNOT BE PERFORMED AT THE TIME OF THE REPORT PREPARATION DUE TO CLIMATIC CONDITIONS.
3. CLIMATIC CONDITIONS REQUIRED FOR PERFORMANCE OF THE DEFERRED TESTS.
4. RESULTS OF FUNCTIONAL PERFORMANCE TESTS.
5. FUNCTIONAL PERFORMANCE TEST PROCEDURES USED DURING THE COMMISSIONING PROCESS, INCLUDING MEASURABLE CRITERIA FOR TEST ACCEPTANCE.

C408.2.4.1 THE OWNER SHALL RECEIVE A COPY OF THE PRELIMINARY COMMISSIONING REPORT BEFORE FINAL INSPECTION BY THE CODE OFFICIAL OCCURS.

C408.2.4.2 THE PRELIMINARY COMMISSIONING REPORT SHALL BE MADE AVAILABLE TO THE PROJECT CODE OFFICIAL UPON REQUEST.

C408.2.5 COMMISSIONING DOCUMENTATION OUTLINED IN SECTION C408 SHALL BE PROVIDED TO THE OWNER WITHIN 90 DAYS OF RECEIPT OF THE CERTIFICATE OF OCCUPANCY.

C408.2.5.1 PROVIDE AIR AND WATER SYSTEM TEST AND BALANCES REPORTS IN ACCORDANCE WITH SECTION C408.2.2.

C408.2.5.2 PROVIDE A FINAL COMMISSIONING REPORT TO THE OWNER INCLUDING THE FOLLOWING:

1. RESULTS OF FUNCTIONAL PERFORMANCE TESTS.
2. DISPOSITION OF DEFICIENCIES FOUND DURING TESTING, INCLUDING DETAILS OF CORRECTIVE MEASURES USED OR PROPOSED.
3. FUNCTIONAL PERFORMANCE TESTING PROCEDURES USED DURING THE COMMISSIONING PROCESS INCLUDING MEASURABLE CRITERIA FOR TEST ACCEPTANCE, PROVIDED FOR REPEATABILITY.
4. LIST OUT ANY DEFERRED TESTS STILL OUTSTANDING DUE TO CLIMATIC CONDITIONS.

E

D

C

B

A

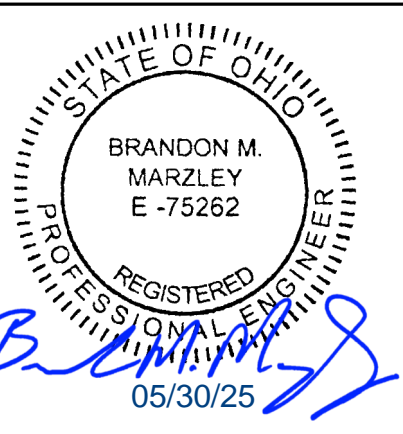


Chick-fil-A

Chick-fil-A
5200 Buffington Road
Atlanta, Georgia
30349-2998



GPD GROUP
Glenn, Pyle, Schmitt, Burns & DeHaven, Inc.
100 South Main Street, Suite 2011
Akron, OH 44311
330.512.2100 Fax 330.512.1101
Copyright (Glenn, Pyle, Schmitt, Burns & DeHaven, Inc. 2024)



CHICK-FIL-A
FLAG CITY
1165 W TRENTON AVE
FINDLAY, OH 45840

FSR#05912

BUILDING TYPE / SIZE: P14 LE BN
RELEASE: 24.08
PRINTED FOR:
ISSUED FOR CONSTRUCTION

REVISION SCHEDULE

NO.	DATE	DESCRIPTION

CONSULTANT PROJECT # 2024223.31
DATE 05/30/25
DRAWN BY JDF

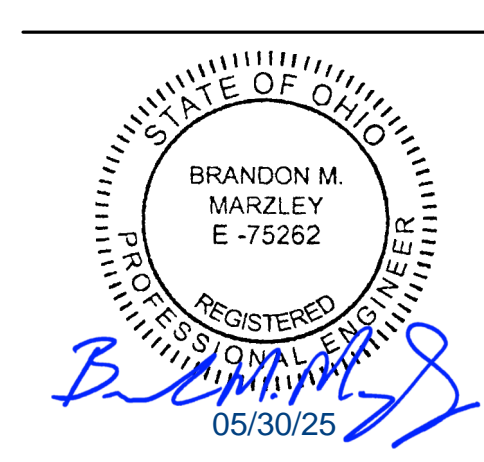
Information contained on this drawing and in all digital files produced for above named project may not be reproduced in any manner without express written or verbal consent from authorized project representatives.

COMMISSIONING REQUIREMENTS - MECHANICAL
SHEET NUMBER

M-002



Chick-fil-A
Chick-fil-A
 5200 Buffington Road
 Atlanta, Georgia
 30349-2998



CHICK-FIL-A
FLAG CITY
 1165 W TRENTON AVE
 FINDLAY, OH 45840

FSR#05912

BUILDING TYPE / SIZE: P14 LE BN
 RELEASE: 24.08
 PRINTED FOR:
 ISSUED FOR CONSTRUCTION

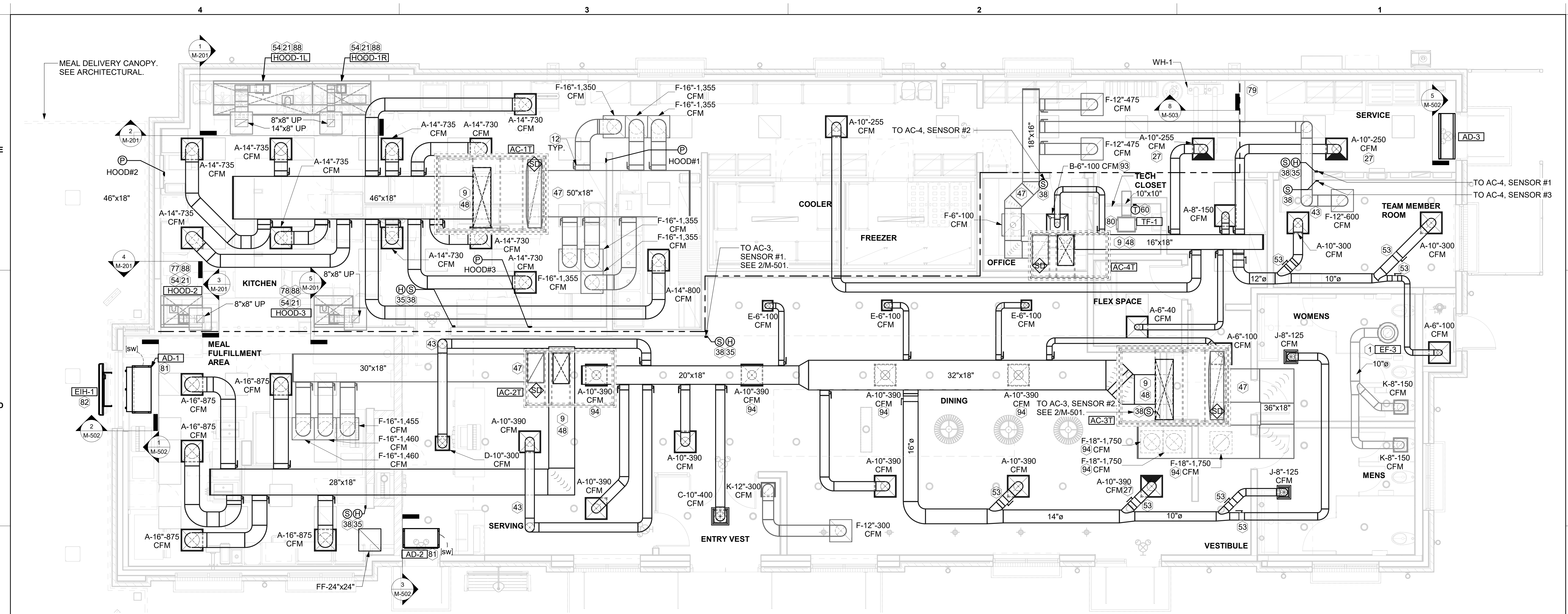
REVISION SCHEDULE
 NO. DATE DESCRIPTION

CONSULTANT PROJECT # 2024223.31
 DATE 05/30/25
 DRAWN BY JDF

Information contained on this drawing and in all digital files produced for above named project may not be reproduced in any manner without express written or verbal consent from authorized project representatives.

SHEET
 EQUIPMENT AND DUCTWORK PLAN - TRANE

SHEET NUMBER
M-101T

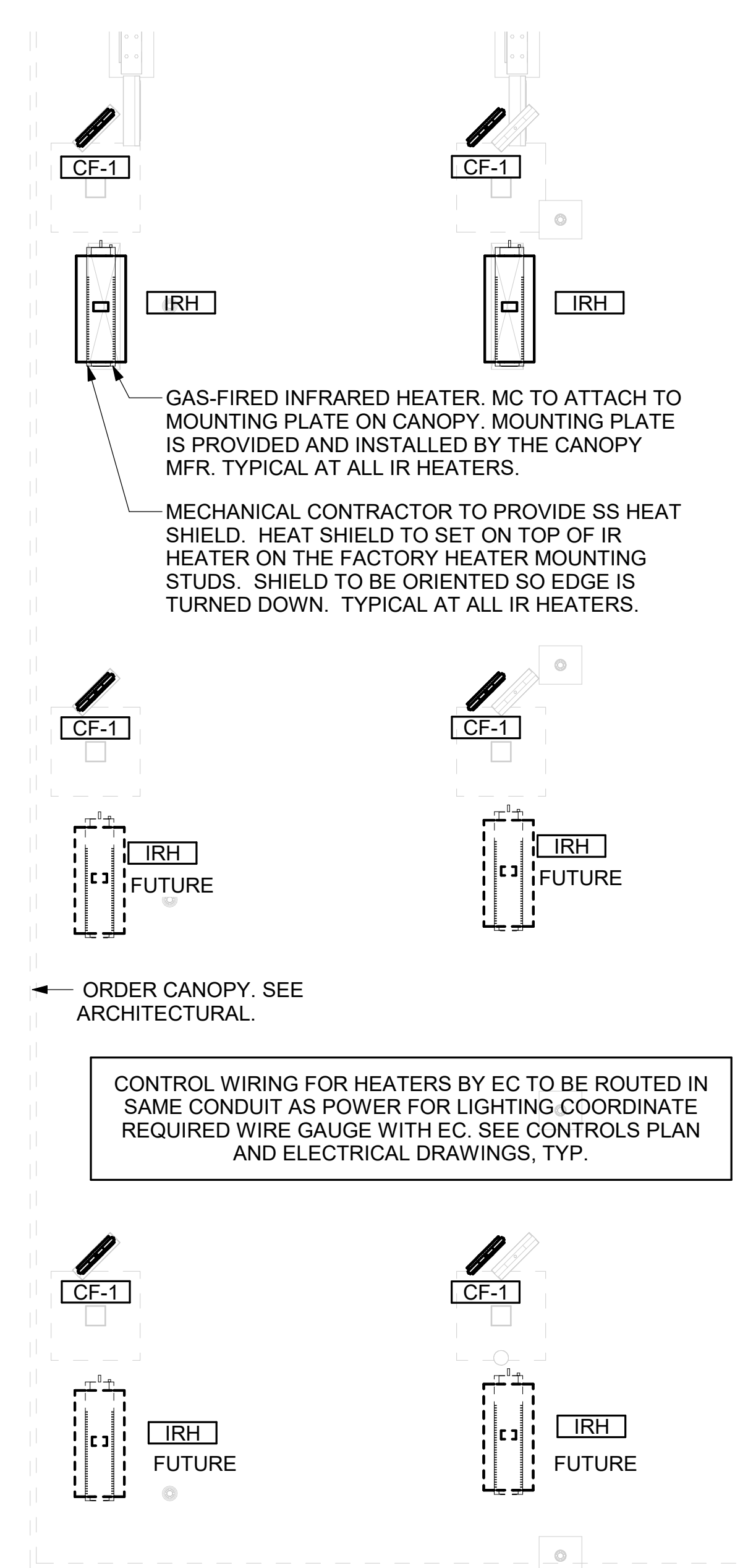


1 EQUIPMENT AND DUCTWORK PLAN
 1/4" = 1'-0"

KEY NOTES

- 1 10" UP THRU ROOF.
- 9 BRANCH TAKE-OFFS ARE NOT TO BE LOCATED CLOSER THAN 3'-0" FROM ANY OFFSET OR ELBOW INCLUDING THE SUPPLY AIR DROP FROM CURB.
- 12 DAMPER HANDLES SHOULD BE INSTALLED SUCH THAT THE DAMPERS ROTATION AXIS IS PERPENDICULAR TO THE FLOOR WITH THE HANDLE FULLY ACCESSIBLE UNDERNEATH THE DUCT IT CONTROLS. (TYPICAL OF ALL DAMPERS AT THE SAME PLENUM.)
- 21 HALTON KBD DAMPER AT HOOD COLLAR BY MECHANICAL CONTRACTOR. SEE HOOD ELEVATIONS ON M-201 FOR LOCATION.
- 27 MECHANICAL CONTRACTOR TO CLOSE THE AIR PATTERN DEFLECTORS ON SHADED SIDE.
- 35 MOUNT HUMIDITY SENSOR ON WALL ABOVE SPACE TEMP SENSOR AND ROUTE WIRING TO UNIT ON ROOF.
- 38 MOUNT REMOTE SENSOR ON WALL AT 5'-0" AFF U.N.O. AND ROUTE WIRING BACK TO SUNCOAST TEMP CONTROL PANEL. FOR SENSOR SERVING AC#1, COORDINATE EXACT LOCATION WITH KITCHEN EQUIPMENT.
- 43 ROUTE DUCT WITHIN STRUCTURE.
- 47 TRANSITION IN VERTICAL DROP FROM FULL SIZE OF CURB OPENING TO SIZE SHOWN. SEE DETAIL 6/M-501 FOR REQUIRED TRANSITION GEOMETRY. TRANSITION WITHIN CURB WHERE REQUIRED TO AVOID STRUCTURE. WHERE THE DUCT IS SHOWN OFFSET HORIZONTALLY, PROVIDE ELBOW WITHOUT TURNING VANES. FOR DROPS WITH NO HORIZONTAL OFFSET, EXTEND DROP BELOW STRUCTURE TO ACCOMMODATE START COLLARS. TERMINATE DROP A MINIMUM 0'-10" ABOVE CEILING (0'-4" ABOVE CEILING IF REQUIRED TO ACCOMMODATE TAKE-OFF AND DROP IS NOT LOCATED DIRECTLY ABOVE A LIGHT).
- 48 TRANSITION IN VERTICAL DROP FROM FULL SIZE OF CURB OPENING TO SIZE SHOWN. TRANSITION WITHIN CURB WHERE REQUIRED TO AVOID STRUCTURE. WHERE THE DUCT IS SHOWN OFFSET HORIZONTALLY, PROVIDE ELBOW WITH TURNING VANES. FOR DROPS WITH NO HORIZONTAL OFFSET, EXTEND DROP BELOW STRUCTURE TO ACCOMMODATE START COLLARS. TERMINATE DROP A MINIMUM 0'-10" ABOVE CEILING (0'-4" ABOVE CEILING IF REQUIRED TO ACCOMMODATE TAKE-OFF AND DROP IS NOT LOCATED DIRECTLY ABOVE A LIGHT).
- 53 RUSKIN MDRS25 MVD W/LOCKING QUADRANT HANDLE.
- 54 SEE ELEVATIONS ON M-201 FOR CJ FAN DUCTING REQUIREMENT.
- 60 MOUNT THERMOSTAT ON WALL AT 4'-0" AFF..
- 77 INSTALL LEFT SIDE OF HOOD FLUSH WITH FINISHED EDGE OF PASS-THRU OPENING.
- 78 INSTALL RIGHT SIDE OF HOOD WITH FINISHED EDGE OF PASS-THRU OPENING.
- 79 SEAL PENETRATIONS IN SMOKE DRAFT CURTAIN AIR TIGHT. SEE ARCH PLANS FOR CONSTRUCTION.
- 80 CEILING MOUNTED RECIRCULATING FAN. DUCT AND DISCHARGE ABOVE CEILING.
- 81 MOUNT AIR DOOR IN CEILING. CENTERED ON DRIVE-THRU/MFA DOOR OPENING. REFER TO WIRING DIAGRAM ON SHEET M-702 FOR MORE INFORMATION.
- 82 ELECTRIC HEATER. MC TO MOUNT ON WALL PER MANUFACTURER'S RECOMMENDATIONS.
- 88 PULL STATION FOR KITCHEN EXHAUST HOOD MOUNTED 42" TO 48" A.F.F. COORDINATE EXACT LOCATION WITH KITCHEN EQUIPMENT ELEVATIONS. JUNCTION BOX AND CONDUIT PROVIDED BY ELECTRICAL CONTRACTOR. PROVIDE PLASTIC ENGRAVED LABEL - RED WITH 1" HIGH WHITE LETTERING. LABELS SHALL BE AS FOLLOWS: HOOD #1 - "MAIN COOKLINE", HOOD #2 - "PASS THRU - RIGHT", HOOD #3 - "PASS THRU - LEFT".
- 93 MAXIMUM HEATING AND COOLING AIRFLOWS INDICATED. SET MINIMUM AIRFLOW TO 25 CFM.
- 94 TAKE OFF WITH DAMPER AT THE BOTTOM OF DUCTWORK, TYP.

AIR BALANCE SCHEDULE TRANE					
Mark	SUPPLY AIR	RETURN AIR	OUTSIDE AIR	EXHAUST AIR	BUILDING POSITIVE PRESSURE
AC-1T	8,125 CFM	8,125 CFM	1,750 CFM	0 CFM	
AC-2T	4,375 CFM	4,375 CFM	1,075 CFM	0 CFM	
AC-3T	5,250 CFM	5,250 CFM	1,275 CFM	0 CFM	
AC-4T	1,750 CFM	1,750 CFM	425 CFM	0 CFM	
EF-1	0 CFM	0 CFM	0 CFM	1,913 CFM	
EF-2	0 CFM	0 CFM	0 CFM	1,402 CFM	
EF-3	0 CFM	0 CFM	0 CFM	300 CFM	
	19,500 CFM	19,500 CFM	4,525 CFM	3,615 CFM	910 CFM



2 MECHANICAL FLOOR PLAN - ORDER CANOPY
 1/4" = 1'-0"

GAS-FIRED INFRARED HEATER. MC TO ATTACH TO MOUNTING PLATE ON CANOPY. MOUNTING PLATE IS PROVIDED AND INSTALLED BY THE CANOPY MFR. TYPICAL AT ALL IR HEATERS.

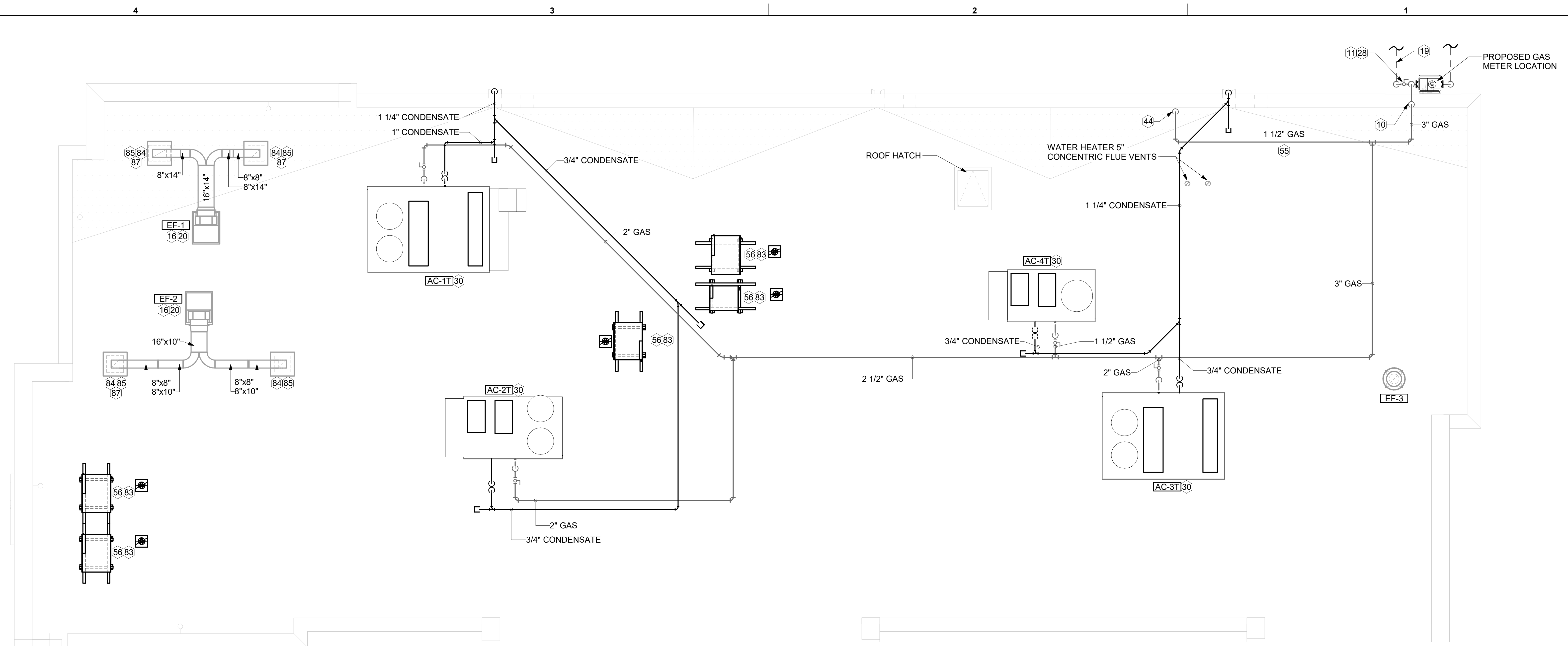
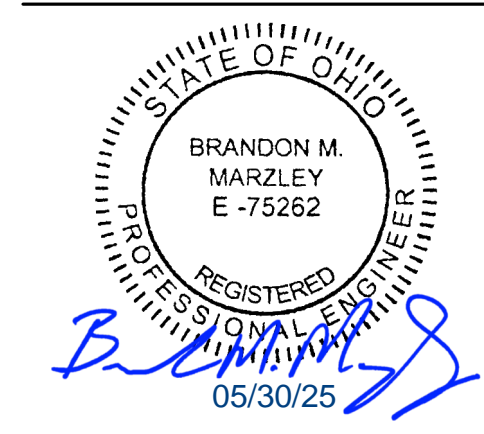
MECHANICAL CONTRACTOR TO PROVIDE SS HEAT SHIELD. HEAT SHIELD TO SET ON TOP OF IR HEATER ON THE FACTORY HEATER MOUNTING STUDS. SHIELD TO BE ORIENTED SO EDGE IS TURNED DOWN. TYPICAL AT ALL IR HEATERS.

CONTROL WIRING FOR HEATERS BY EC TO BE ROUTED IN SAME CONDUIT AS POWER FOR LIGHTING. COORDINATE REQUIRED WIRE GAUGE WITH EC. SEE CONTROLS PLAN AND ELECTRICAL DRAWINGS, TYP.

Autodesk Docs://OH_05912_175 & Trenton Avenue_2024.7_FSR05912_175 & Trenton Avenue_MEC.rvt
 5/29/2025 2:31:56 PM
 30-LE-05912-M-101T-EQUIPMENT AND DUCTWORK PLAN - TRANE



Chick-fil-A
 Chick-fil-A
 5200 Buffington Road
 Atlanta, Georgia
 30349-2998

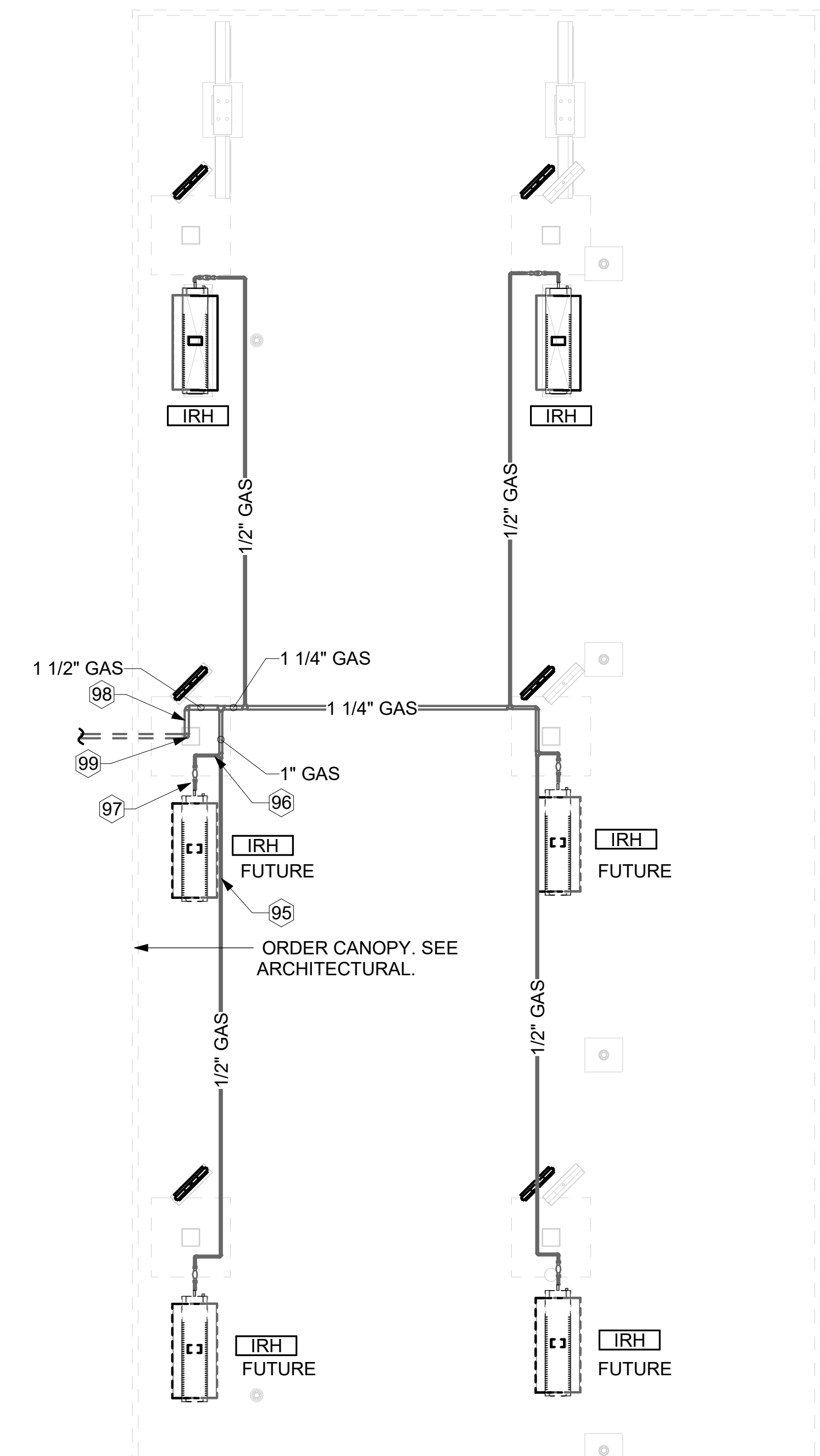


1 EQUIPMENT ROOF PLAN - TRANE
 1/4" = 1'-0"

KEY NOTES

- 10 TURN 3" GAS UP WITHIN WALL, THRU PARAPET AND ONTO ROOF.
- 11 ROUTE POLYETHYLENE GAS BELOW GRADE FROM THE METER. FOR TRANSITION FROM POLYETHYLENE PIPING BELOW GRADE TO STEEL AT THE METER, INSTALL ANODELESS RISER WITH INTEGRAL CONSTAB PE-TO-IPS TRANSITION FITTING BY CONTINENTAL INDUSTRIES OR EQUAL BY ELSTER.
- 16 FABRICATE DISCHARGE AIR NOZZLE. VERIFY EXHAUST TERMINATION IS A MINIMUM 10'-0" FROM PARAPETS AND OUTSIDE AIR INTAKES. REFER TO MH-1.3 AND MH-1.4 FOR DETAILS.
- 19 1-1/2" GAS BELOW GRADE TO ORDER CANOPY, SEE DETAIL 2 THIS SHEET.
- 20 GREASE EXHAUST DUCT LOCATED ON ROOF SHALL SLOPE 1/4" PER FOOT TOWARDS THE HOOD, THE FAN, OR A COMBINATION OF THE TWO SUCH THAT NO PORTION OF THE RADIUS ELBOW AT THE CURB IS BELOW THE CURB CAP AND SUCH THAT THE FAN BASE SETS DIRECTLY ON THE CURB RAILS. THE BOTTOM OF THE RADIUS ELBOW MAY BE EVEN OR FLUSH WITH THE CURB CAP, BUT NOT BELOW THE CAP. THE DUCT AT THE FAN MUST BE CENTERED ON THE FAN INLET.
- 28 PROVIDE FULL PORT BALL VALVE EQUAL TO APOLLO 50GB SERIES WITH WINGS HANDLE OPTION ABOVE GRADE AT THE METER. PROVIDE BRASS VALVE TAG WITH JACK CHAIN AT VALVE MARKED "SERVICE SHUTOFF FOR CANOPY HEATERS."
- 30 MECHANICAL CONTRACTOR TO SEE ARCHITECTURAL ROOF PLAN FOR NOTES REGARDING LEVELING FRAMES FOR RTUS. COORDINATE WITH GENERAL CONTRACTOR EXACT LOCATIONS AND SIZE NEEDED.
- 44 1-1/2" GAS DOWN THRU ROOF TO WATER HEATER. SEE DETAIL 3/P-502 FOR MORE INFORMATION ON CONSTRUCTION AND PENETRATION. WHEN CONTRACTOR OPTS TO PROVIDE ALTERNATIVE WATER-HEATER, INCREASE PIPE SIZE AS NEEDED PER CODE.
- 55 SEE ARCHITECTURAL DETAILS FOR ROOFTOP PIPE PENETRATIONS.
- 56 GC SHALL PROVIDE EQUIPMENT STANDS AS MANUFACTURED BY AVCOA OR EQUAL. STANDS SHALL BE INSTALLED PRIOR TO ROOF INSULATION SO THAT THE INSULATION IS CONTINUOUS UP TO THE PIPE POSTS. POSTS SHALL BE FLASHED IN ACCORDANCE WITH ROOFING MANUFACTURER'S INSTALLATION INSTRUCTIONS. COORDINATE BLOCKING BELOW THE ROOF DECK AS REQUIRED.
- 83 DO NOT DISCHARGE OF CONDENSING UNITS INTO CONDENSER SECTION OF ROOFTOP UNITS, TYP.
- 84 ROOF CURB FOR DUCT PENETRATION. REFER TO MH-1.3 AND MH-1.4 FOR DETAILS.
- 85 TURN DOWN THRU ROOF. SEE M-101LM-101T FOR CONTINUATION.
- 87 DUCT PENETRATIONS ON ROOF MUST BE AT LEAST 18" FROM ADJACENT PARAPETS.
- 95 GAS PIPING TO BE ROUTED ABOVE CANOPY, ON TOP OF STRUCTURAL MEMBERS, EXCEPT WHERE ROUTED DOWN THROUGH PENETRATIONS AS INDICATED.
- 96 GAS PIPING DOWN THROUGH DECK. WEATHERPROOF DECK PENETRATION PER DETAIL 6/M-503, TYPICAL.
- 97 SEE DETAIL 1/M-503 FOR PIPING AT IRH, TYPICAL.
- 98 GAS TRANSITION FITTING TO GAS PIPE STUB-OUT. GAS PIPING INSIDE COLUMN AND STUB-OUTS BY CANOPY MFR. JOIN UNDERGROUND POLYETHYLENE GAS PIPING TO TRANSITION FITTING WITH ELSTER PERMASERT COUPLING. CANOPY MFR'S EXPOSED STEEL PIPING BELOW GRADE SHALL BE PROTECTED WITH TWO COATS ASPHALT TUM BASE PAINT AND POLY SLEEVE.
- 99 1-1/2" GAS B/G TO METER SEE 1/M-102L OR 1/M-102T.

3. GAS LOAD SCHEDULE	
EQUIPMENT	GAS LOAD
AC-1T	400,000 BTUS
AC-2T	240,000 BTUS
AC-3T	400,000 BTUS
AC-4T	130,000 BTUS
IRH (2 @ 50,000 BTU EA.)	100,000 BTUS
IRH (FUTURE 4 @ 50,000 BTU EA.)	200,000 BTUS
WATER HEATER	398,000 BTUS
TOTAL BASIS OF DESIGN LOAD	1,668,000 BTUS
TOTAL FUTURE CONNECTED LOAD	1,868,000 BTUS
REMARKS:	1. EQUIVALENT TO 1,868.0 CFH 2. 7" W.C. DELIVERY PRESSURE 3. DEVELOPED LENGTH: 200 FT. (METER TO AC#2) 4. GAS PIPING SIZED FOR FUTURE LOAD



2 ORDER CANOPY GAS PIPING PLAN
 1/4" = 1'-0"

CHICK-FIL-A
 FLAG CITY
 1165 W TRENTON AVE
 FINDLAY, OH 45840

FSR#05912
 BUILDING TYPE / SIZE: P14 LE BN
 RELEASE: 24.08
 PRINTED FOR:
 ISSUED FOR CONSTRUCTION
 REVISION SCHEDULE

NO.	DATE	DESCRIPTION

CONSULTANT PROJECT # 2024223.31
 DATE 05/30/25
 DRAWN BY JDF

Information contained on this drawing and in all digital files produced for above named project may not be reproduced in any manner without express written or verbal consent from authorized project representatives.

SHEET
 EQUIPMENT ROOF PLAN - TRANE
 SHEET NUMBER
M-102T

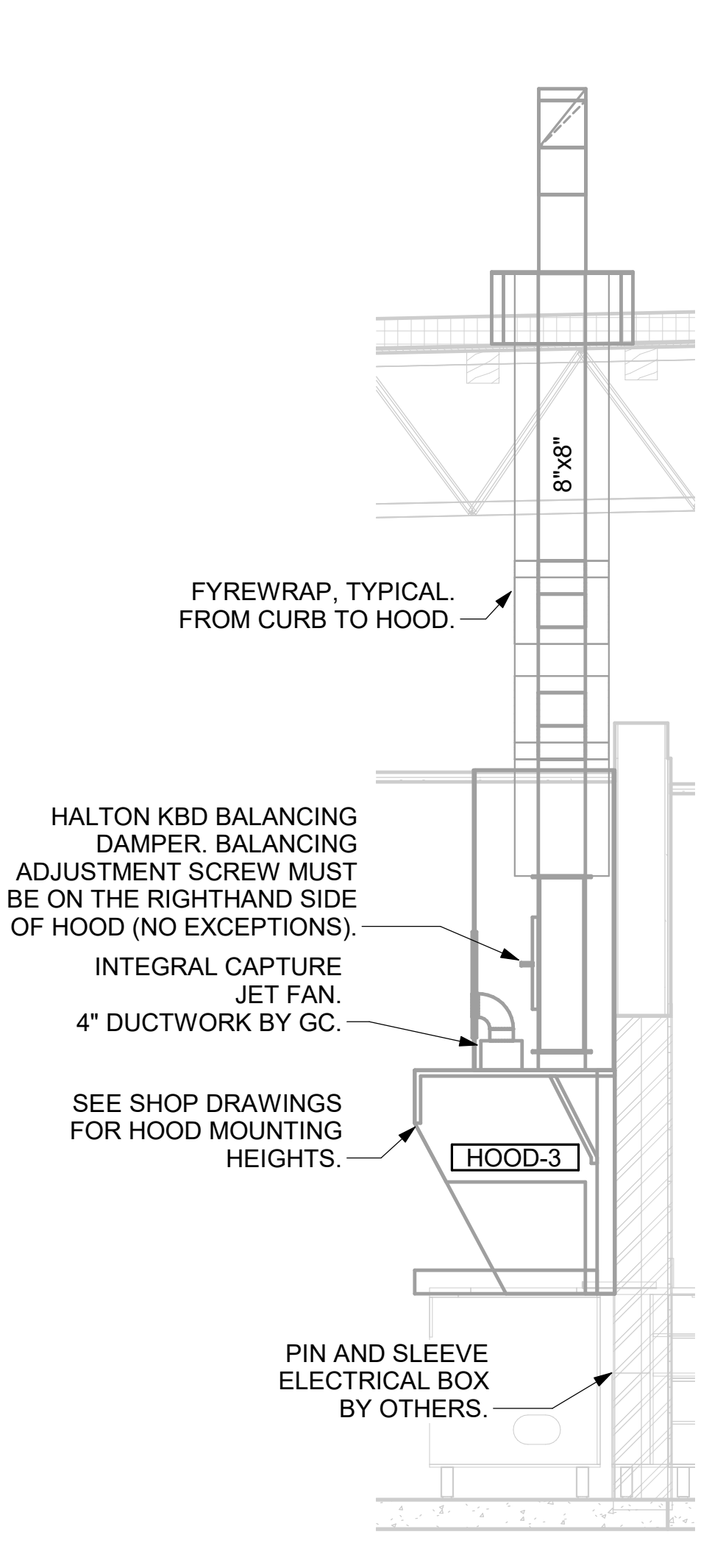
Autodesk Docs://OH_05912_1-75 & Trenton Avenue_2024.7_FSR05912_1-75 & Trenton Avenue_MEC.rvt
 5/29/2025 2:32:01 PM
 30-LE-05912-M-102T-EQUIPMENT ROOF PLAN - TRANE

GREASE EXHAUST DUCT CLEARANCE NOTE:

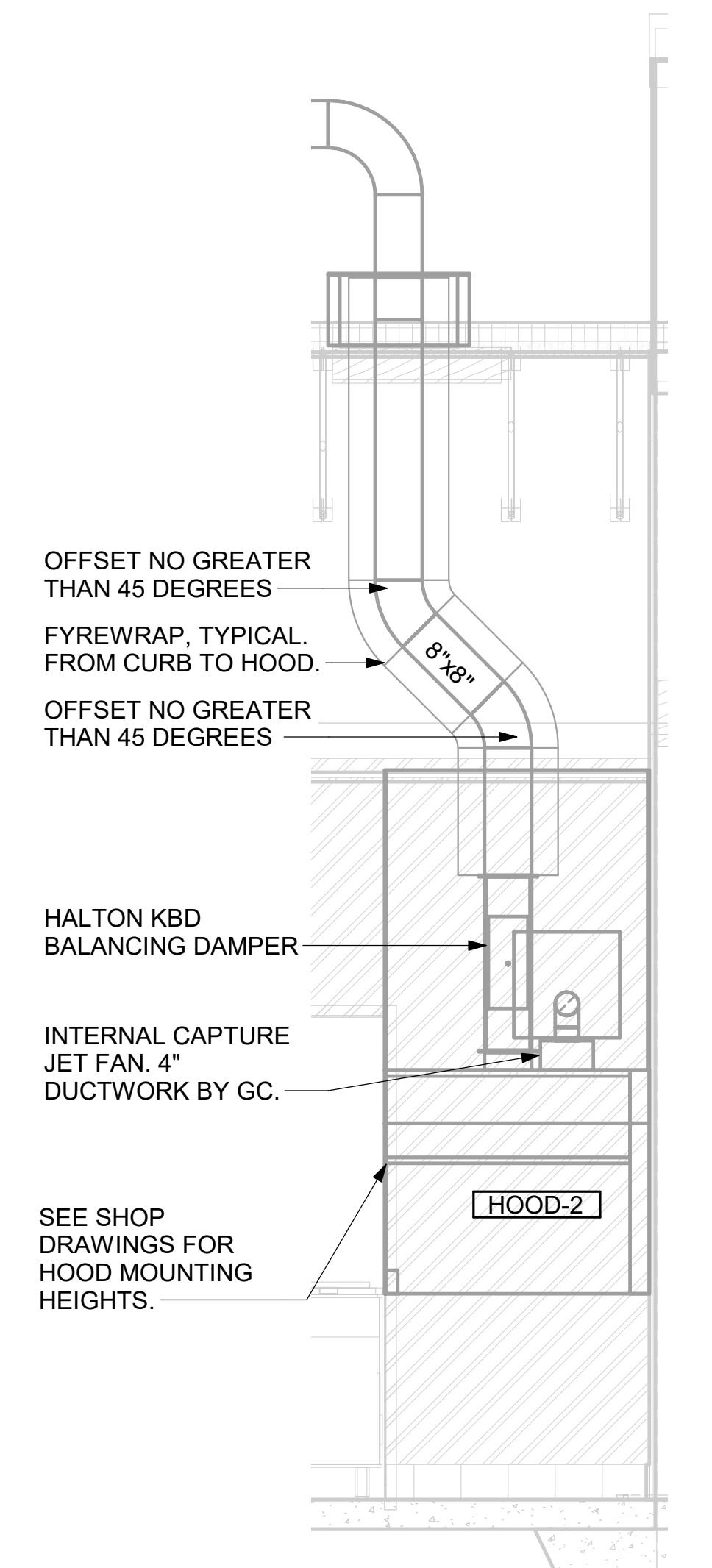
CLEARANCES ABOVE CEILING ARE TIGHT. MECHANICAL CONTRACTOR TO FIELD VERIFY EXACT ROUTING AND CLEARANCES PRIOR TO FABRICATING GREASE EXHAUST DUCT.

CLEANOUT DOOR NOTE:

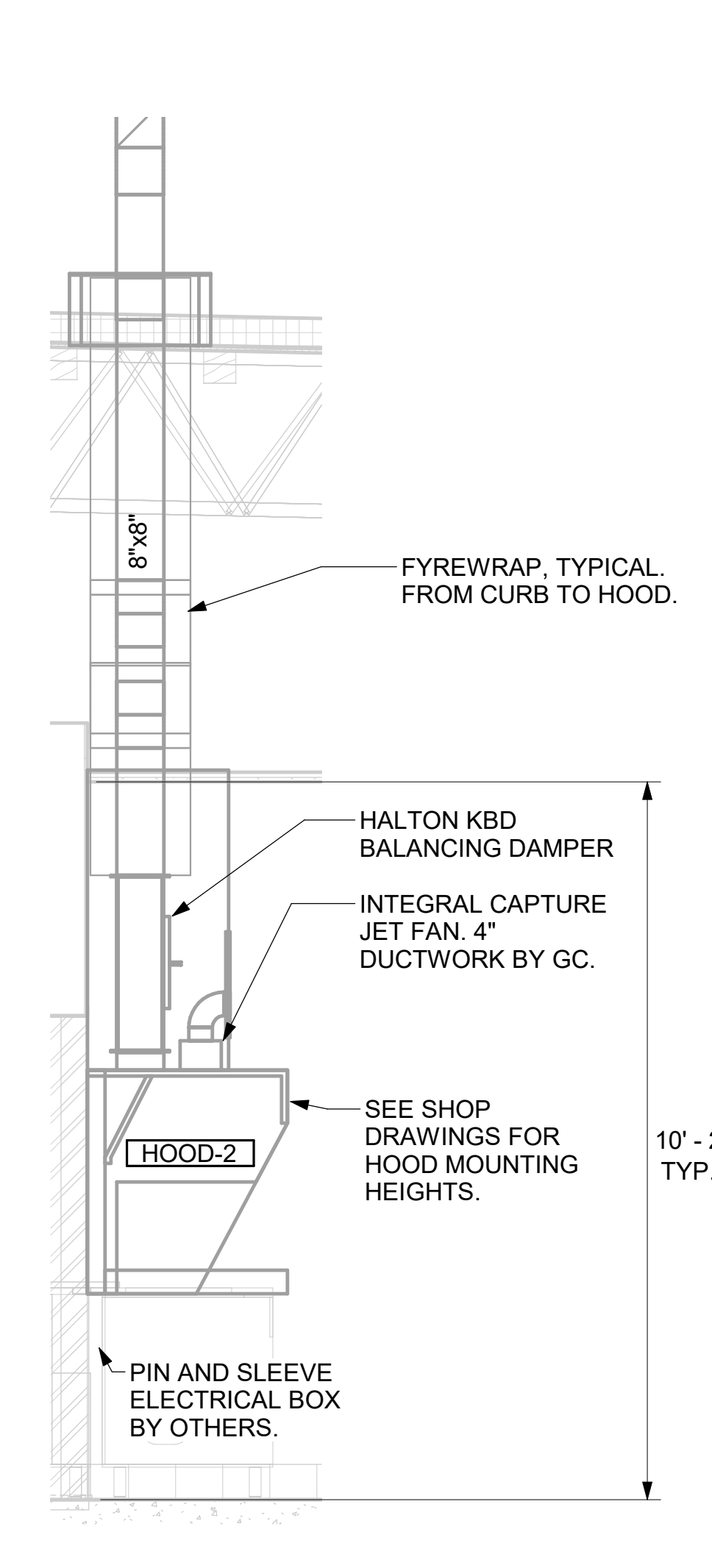
DUCT WRAP SHALL BE APPLIED TO THE CLEANOUT DOOR PER THE WRAP MFR'S INSTALLATION INSTRUCTIONS. NO EXCEPTIONS. ALSO, THE CLEANOUT DOOR MUST BE REMOVABLE WITHOUT TOOLS AND MUST BE CLEARLY AND PERMANENTLY LABELED.



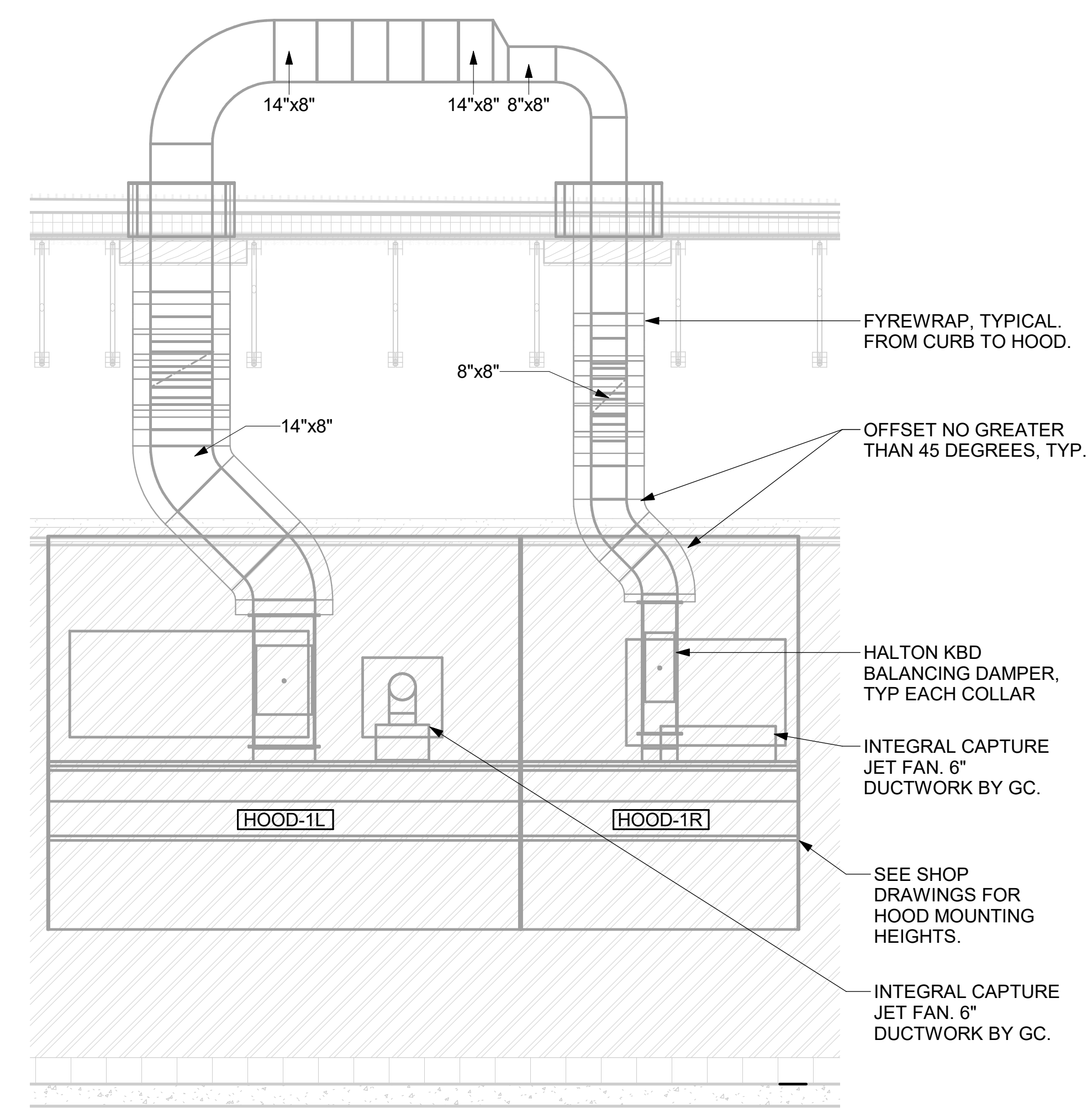
5 HOOD ELEVATION - HOOD#3
NOT TO SCALE



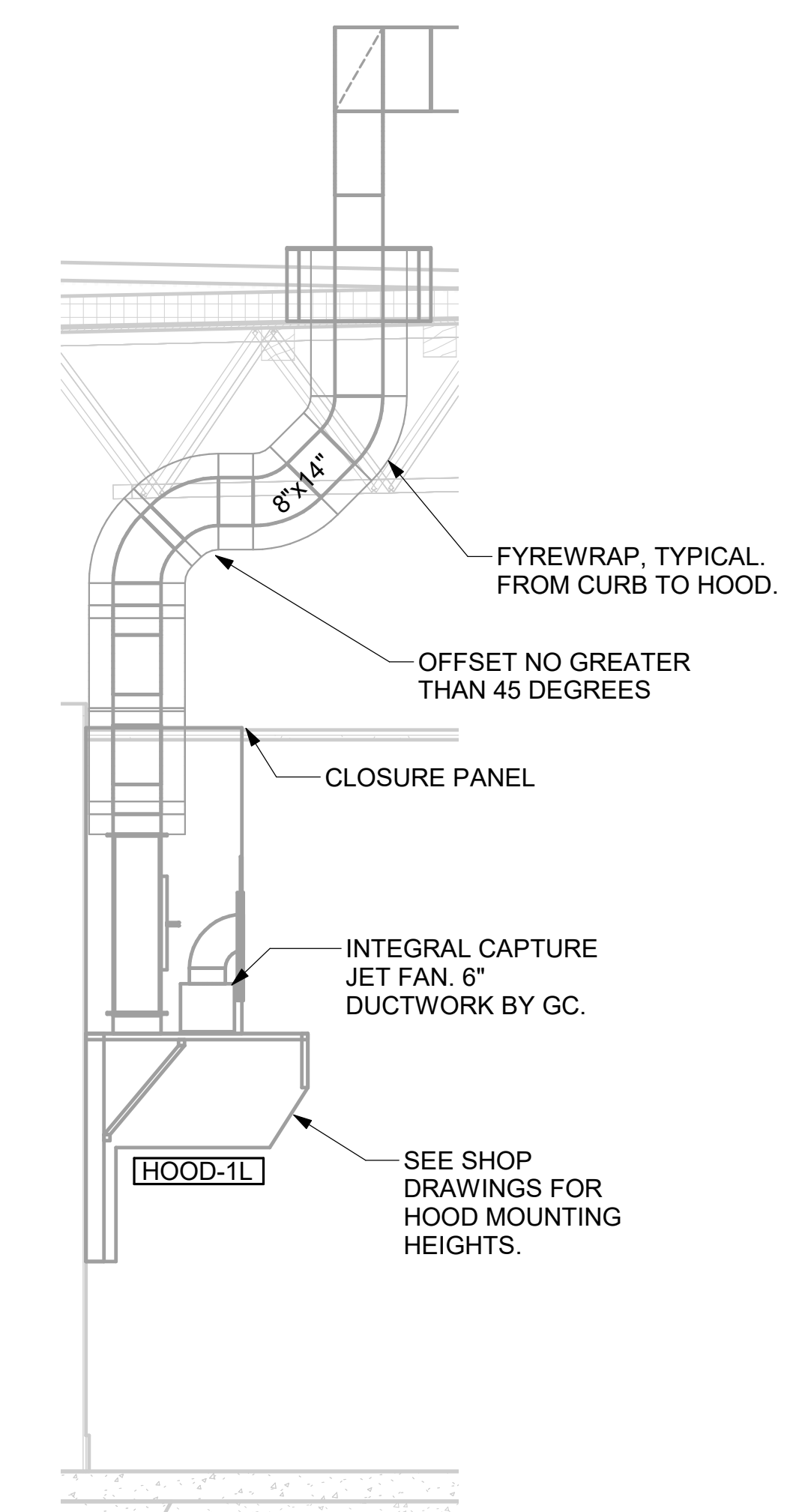
4 HOOD ELEVATION - HOOD#2 - FRONT
NOT TO SCALE



3 HOOD ELEVATION - HOOD#2 - SIDE
NOT TO SCALE



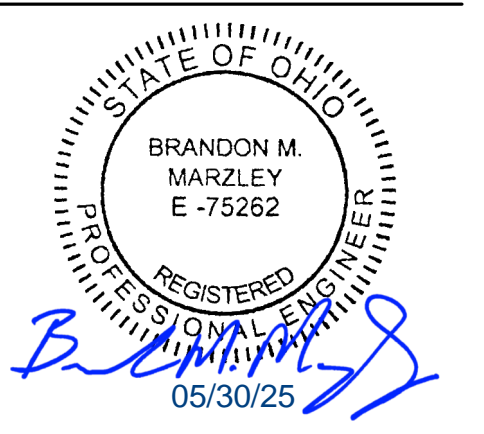
2 HOOD ELEVATION - HOOD#1 - FRONT
NOT TO SCALE



1 HOOD ELEVATION - HOOD#1 - SIDE
NOT TO SCALE



Chick-fil-A
5200 Buffington Road
Atlanta, Georgia
30349-2998



CHICK-FIL-A
FLAG CITY
1165 W TRENTON AVE
FINDLAY, OH 45840

FSR#05912
BUILDING TYPE / SIZE: P14 LE BN
RELEASE: 24.08
PRINTED FOR:
ISSUED FOR CONSTRUCTION

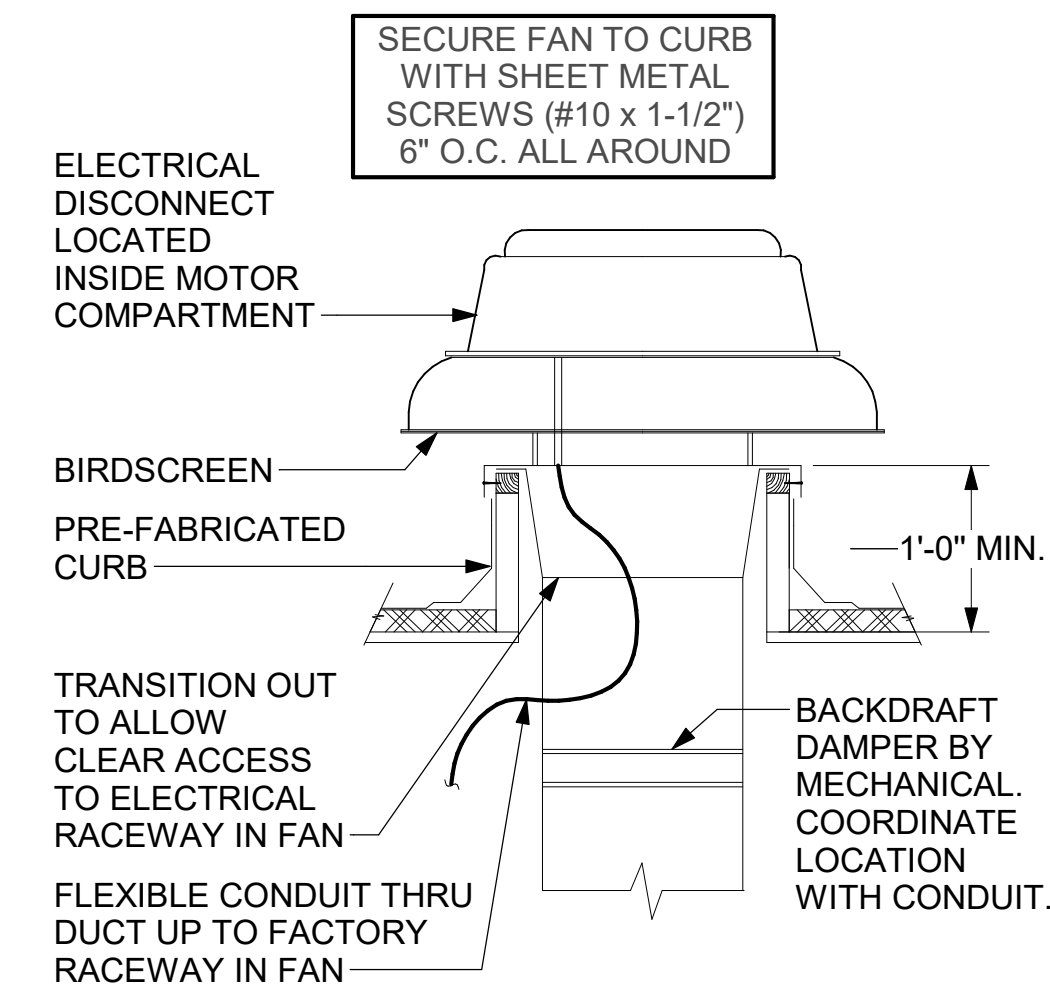
NO.	DATE	DESCRIPTION

CONSULTANT PROJECT # 2024223.31
DATE 05/30/25
DRAWN BY JDF

Information contained on this drawing and in all digital files produced for above named project may not be reproduced in any manner without express written or verbal consent from authorized project representatives.

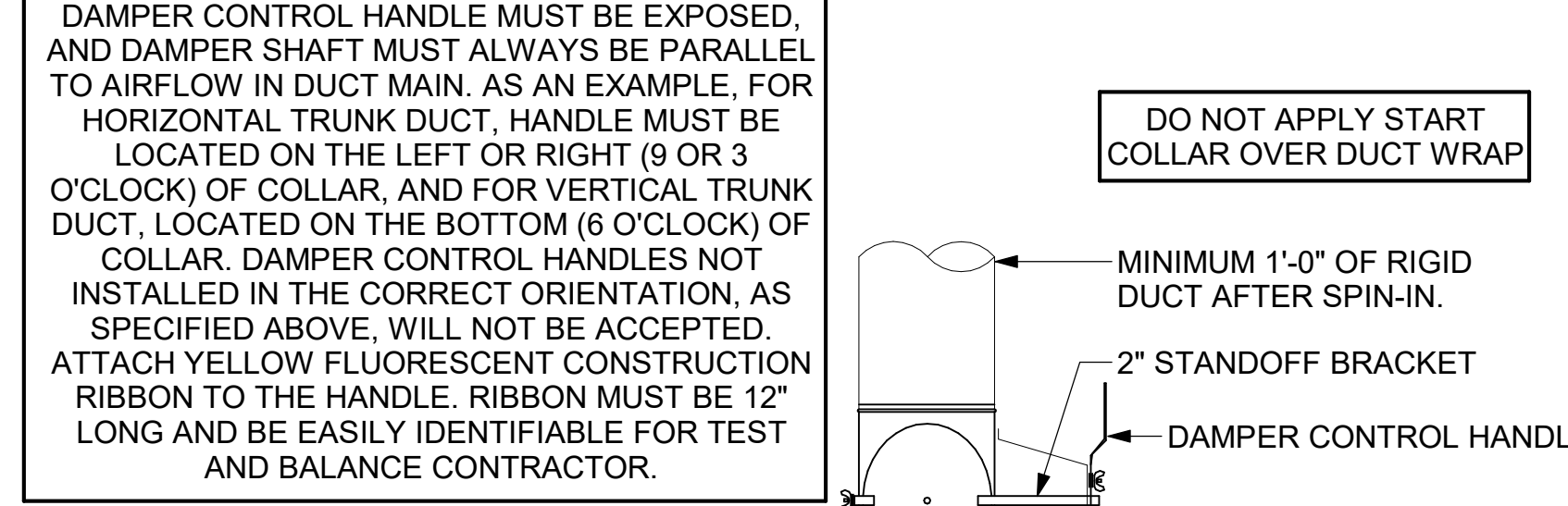
SHEET EXHAUST HOOD ELEVATIONS
SHEET NUMBER

M-201

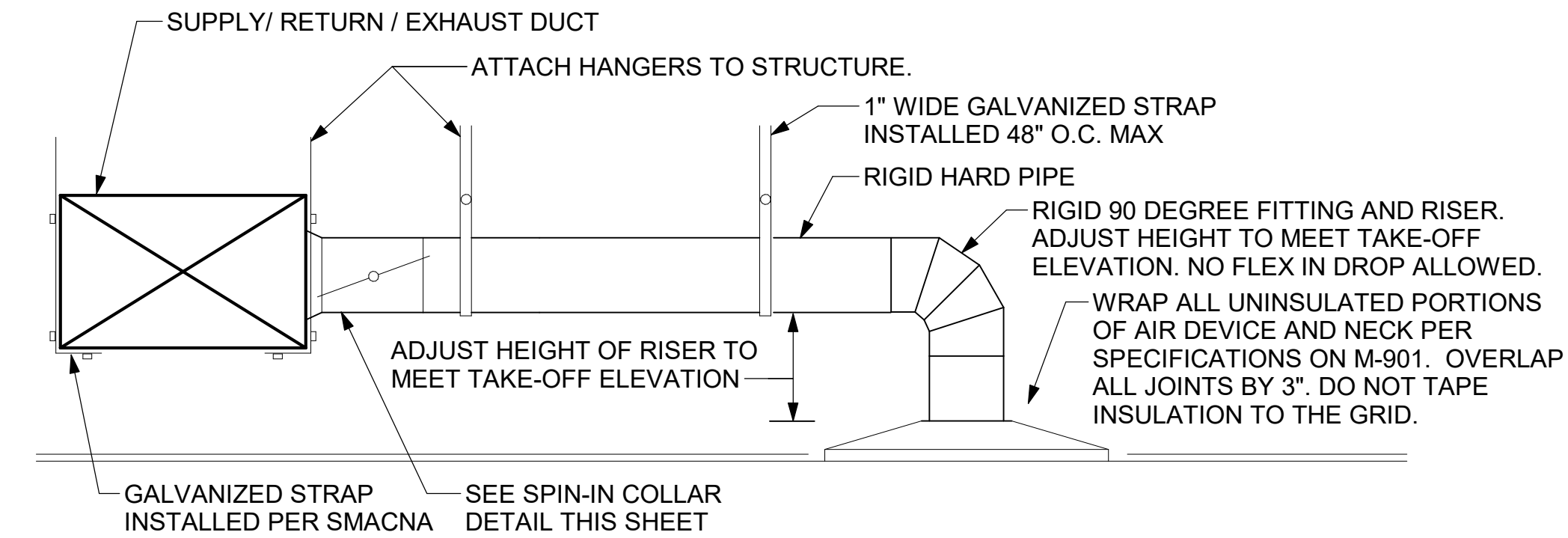


3 RESTROOM EXHAUST FAN
NOT TO SCALE

CHICK-FIL-A HAS A NATIONAL ACCOUNT WITH TOM BARROW COMPANY FOR THE ROYAL METAL PRODUCTS START COLLARS FOR BOTH WITH AND WITHOUT A MANUAL BALANCING DAMPER. THE MECHANICAL CONTRACTOR IS REQUIRED TO PURCHASE THE ROYAL METAL PRODUCTS START COLLARS DIRECTLY FROM TOM BARROW COMPANY. CONTACT MR. SCOTT GEORGE AT 404-351-1010 FOR PRICING AND AVAILABILITY. ROYAL METAL PRODUCTS START COLLARS NOT PURCHASED THRU TOM BARROW COMPANY WILL NOT BE ACCEPTED.

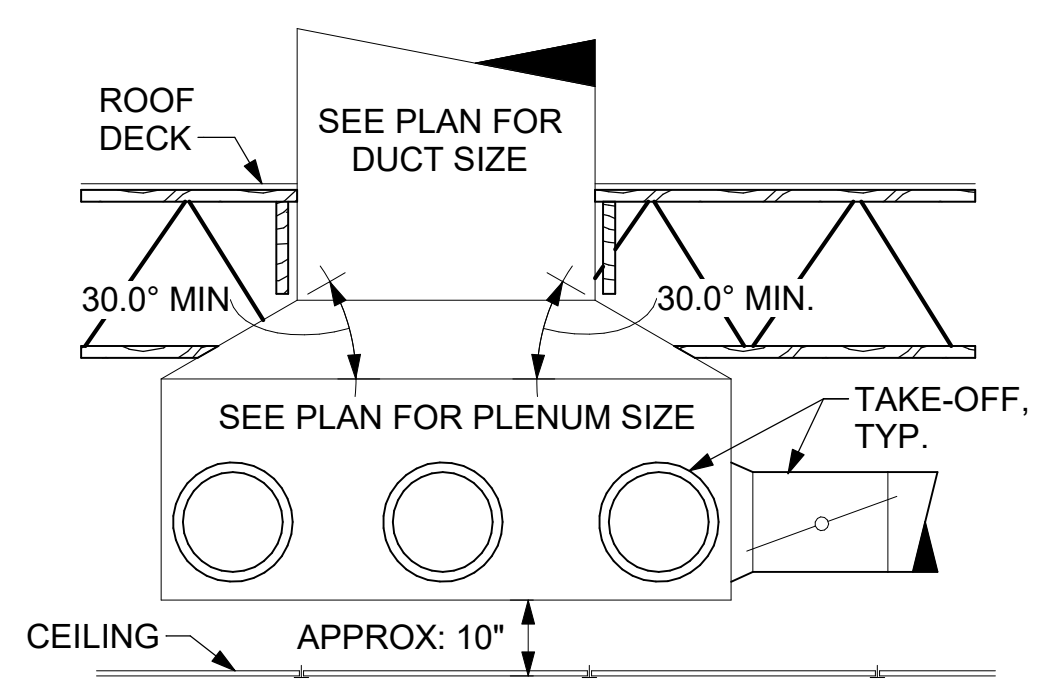


2 START COLLAR
NOT TO SCALE

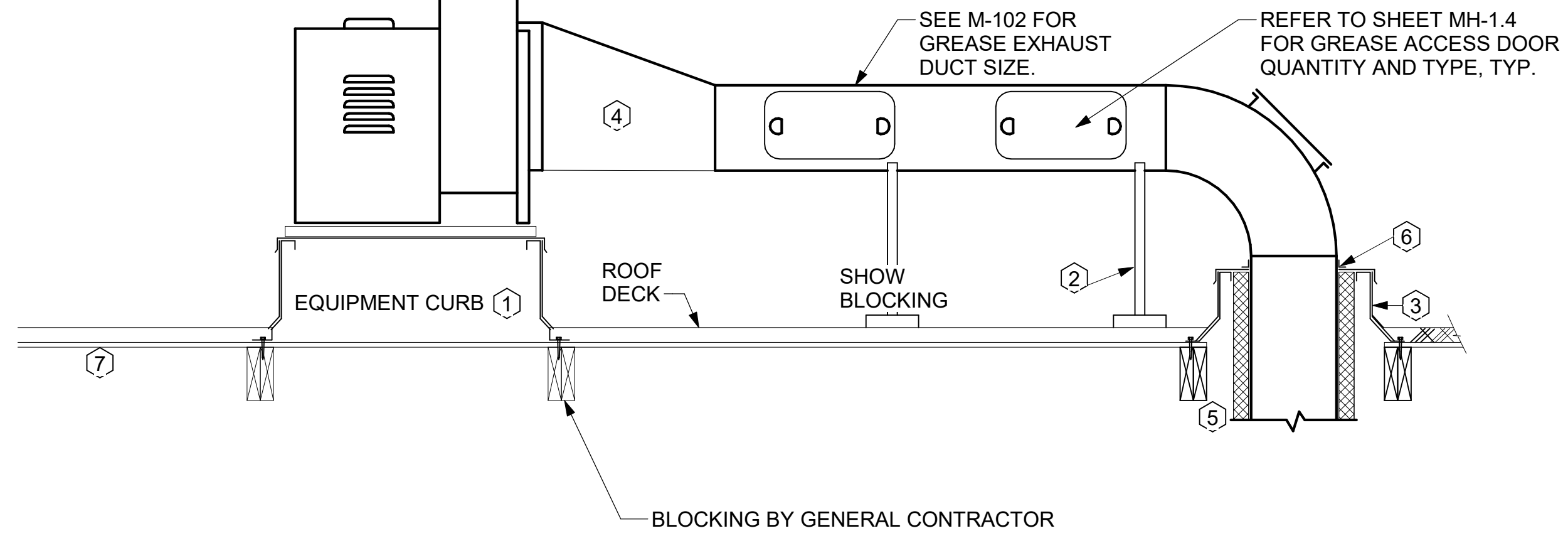


1 SAG/RAG/GRILLE TAKE-OFF
NOT TO SCALE

- KEYED NOTES:**
- 22" EQUIPMENT CURB FURNISHED BY HALTON.
 - DUCT SUPPORT SHALL BE PROVIDED EVERY 8', AND WITHIN 12" OF ANY FITTING OR WELD SEAM. SUPPORTS SHALL BE SECURELY ATTACHED TO THE STRUCTURE AND DESIGNED TO CARRY GRAVITY, WIND, AND SEISMIC LOADS PER CODE.
 - 12" HIGH INSULATED CURB FURNISHED BY HALTON. MECHANICAL CONTRACTOR TO PROVIDE MINIMUM 18 GA STAINLESS STEEL CURB CAP AND FLASHING.
 - ALL DUCTWORK AND UNFINISHED METAL ON ROOF EXCEPT STAINLESS SHALL BE PREPARED WITH TWO COATS OF SHERWIN WILLIAMS B06-200 SERIES DTM WHITE ACRYLIC SEMI-GLOSS INDUSTRIAL MAINTENANCE COATING. DEGREASE AND PRIME BARE METAL SURFACE WITH ONE COAT OF SHERWIN WILLIAMS DTM ACRYLIC PRIMER PRIOR TO PAINTING.
 - SUPPORT DUCT FROM STRUCTURE WITH 1-1/2"X1/8" STEEL ANGLE OR B-LINE B24 STRUT AND 3/8" ATR ON 6'-0" CENTERS, TYP.
 - FULL PERIMETER LIQUID TIGHT WELD BETWEEN CURB CAP AND DUCT. GREASE EXHAUST DUCT IS CONTINUOUS THRU CURB CAP.
 - INSTALL ROOFTOP SOLUTIONS G2 DRIP GUARD AS CLOSE AS POSSIBLE TO FAN SCROLL DRAIN. EXTEND DRAIN TO CENTER OF DRIP GUARD.

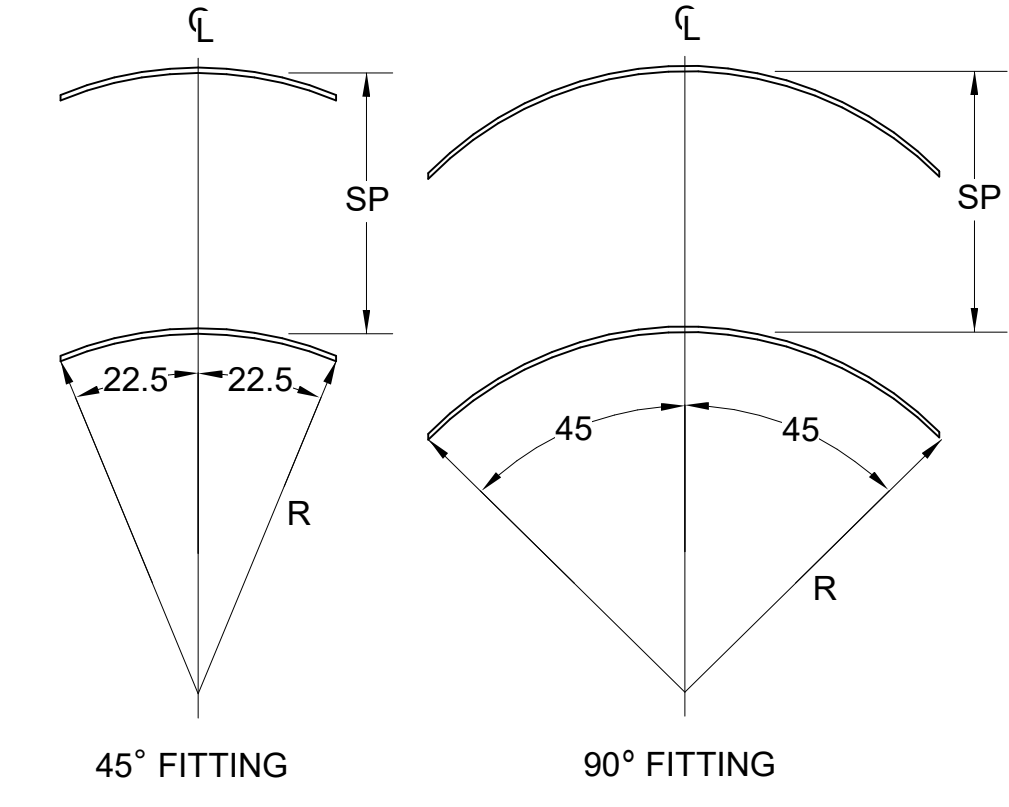


6 RETURN DROP GEOMETRY
NOT TO SCALE



5 KITCHEN HOOD EXHAUST FAN
NOT TO SCALE

TURNING VANE SCHEDULE		
R	SP	GA
2"	1.5"	24
1. NO TRAILING EDGE. 2. SINGLE THICKNESS CONSTRUCTION.		



4 TURNING VANES
NOT TO SCALE

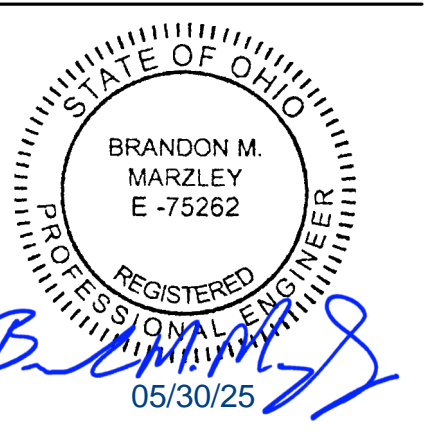


Chick-fil-A

Chick-fil-A
5200 Buffington Road
Atlanta, Georgia
30349-2998



GPD GROUP
1325 South Main Street, Suite 2011
Akron, OH 44311
330.572.2100 Fax: 330.572.1101
Copyright (Glen, Paul, Schmitt, Burns & DeHaven, Inc. 2024)



CHICK-FIL-A
FLAG CITY

1165 W TRENTON AVE
FINDLAY, OH 45840

FSR#05912

BUILDING TYPE / SIZE: P14 LE BN
RELEASE: 24.08
PRINTED FOR:
ISSUED FOR CONSTRUCTION

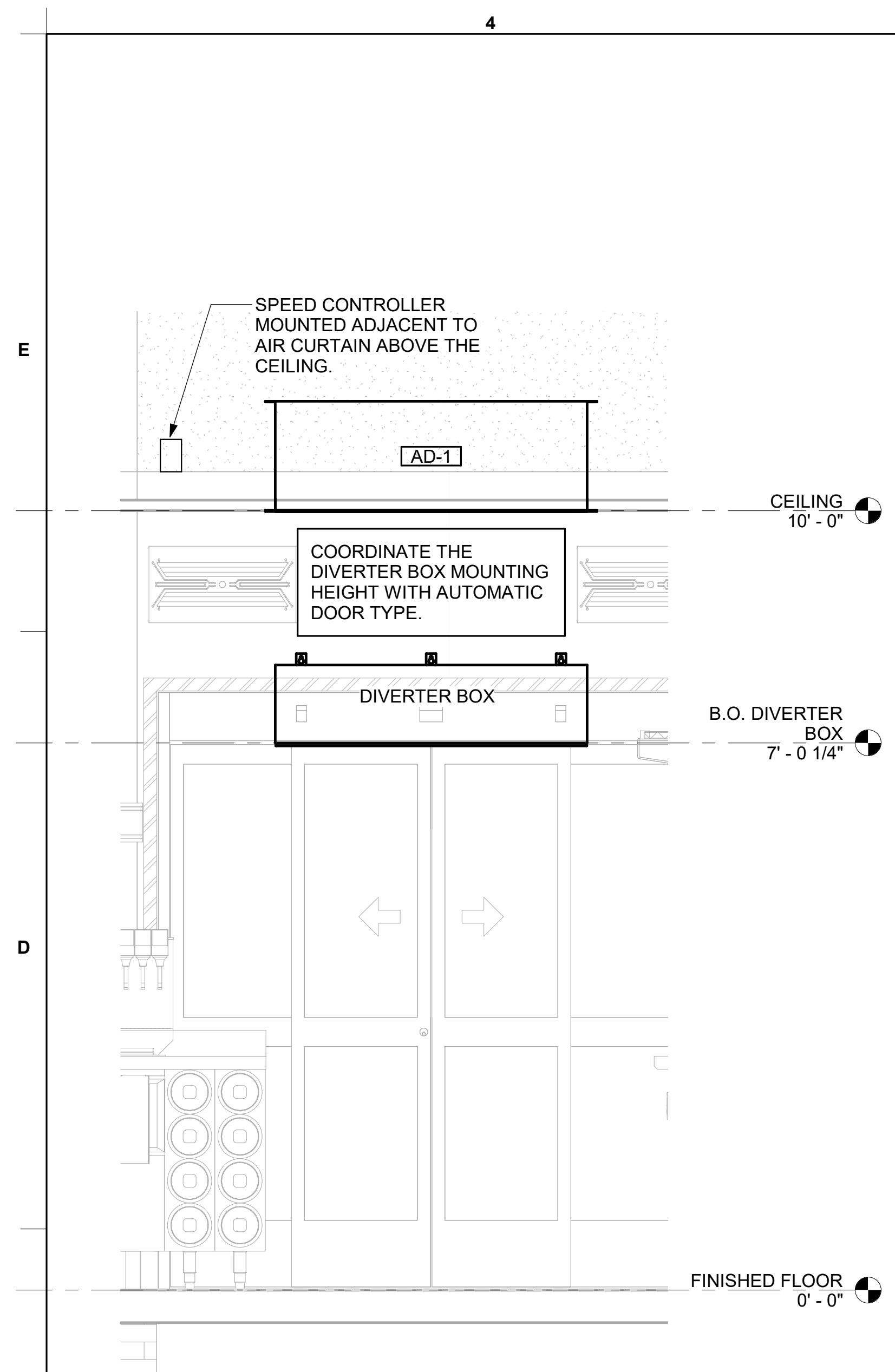
NO.	DATE	DESCRIPTION

CONSULTANT PROJECT # 2024223.31
DATE 05/30/25
DRAWN BY JDF

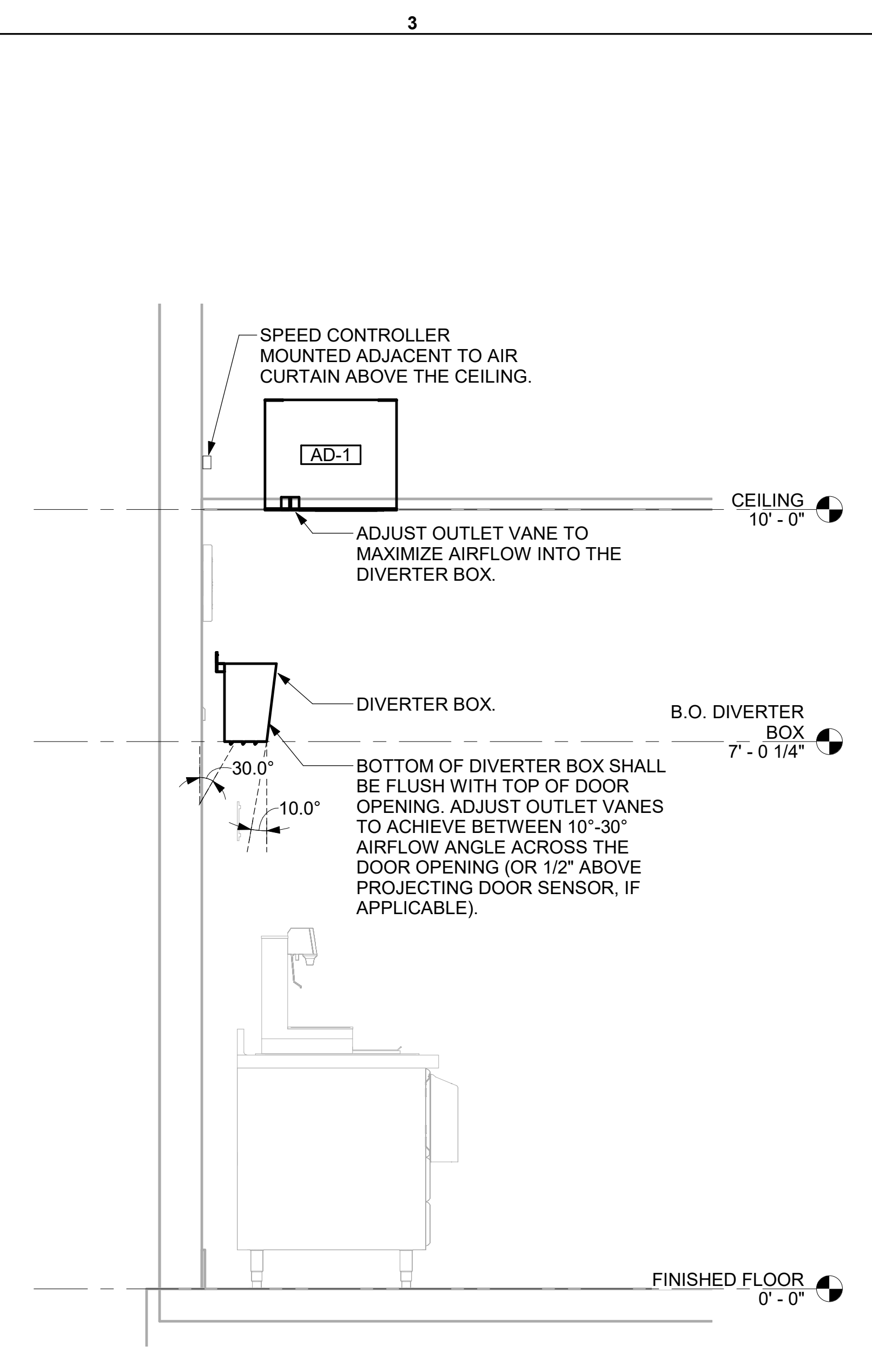
Information contained on this drawing and in all digital files produced for above named project may not be reproduced in any manner without express written or verbal consent from authorized project representatives.

SHEET
DETAILS
SHEET NUMBER

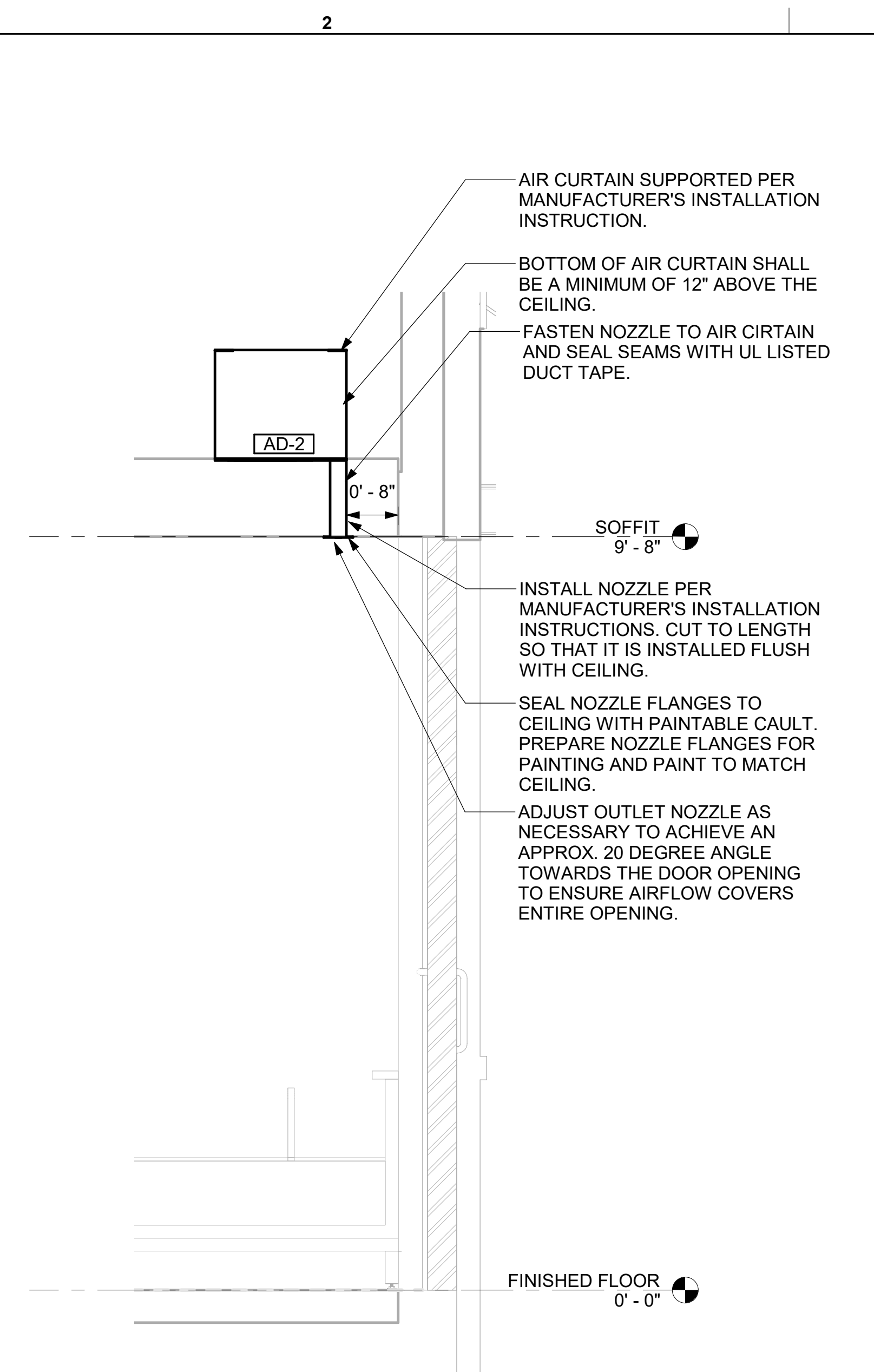
M-501



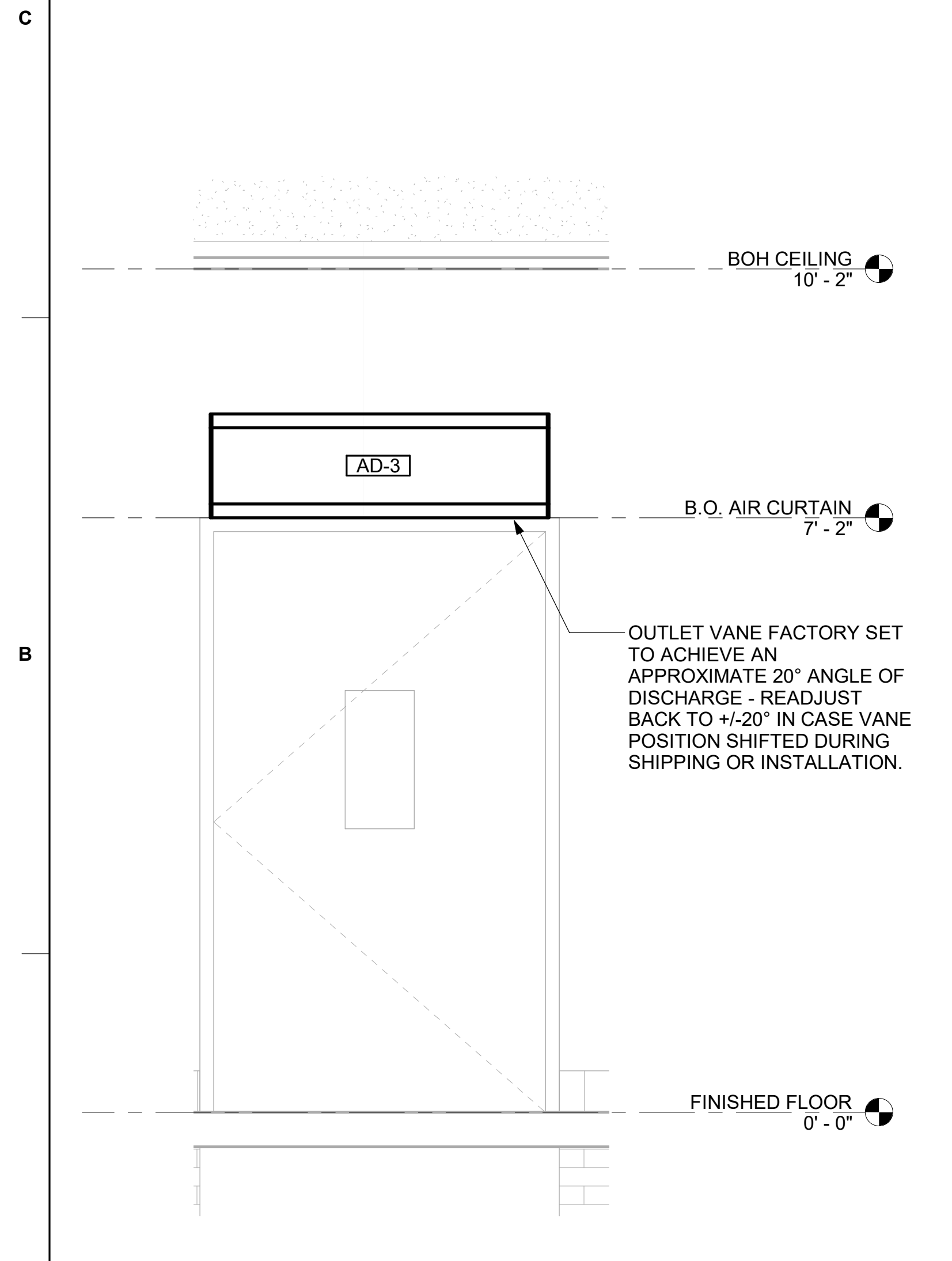
1 AD#1 FRONT VIEW
3/4" = 1'-0"



2 AD#1 SIDE VIEW
3/4" = 1'-0"



3 AD#2 SIDE VIEW
3/4" = 1'-0"



5 AD#3 FRONT VIEW
3/4" = 1'-0"



Chick-fil-A
5200 Buffington Road
Atlanta, Georgia
30349-2998



BRANDON M. MARZLEY
E-75282
REGISTERED PROFESSIONAL ENGINEER
05/30/25

CHICK-FIL-A
FLAG CITY
1165 W TRENTON AVE
FINDLAY, OH 45840

FSR#05912
BUILDING TYPE / SIZE: P14 LE BN
RELEASE: 24.08
PRINTED FOR:
ISSUED FOR CONSTRUCTION

NO.	DATE	DESCRIPTION

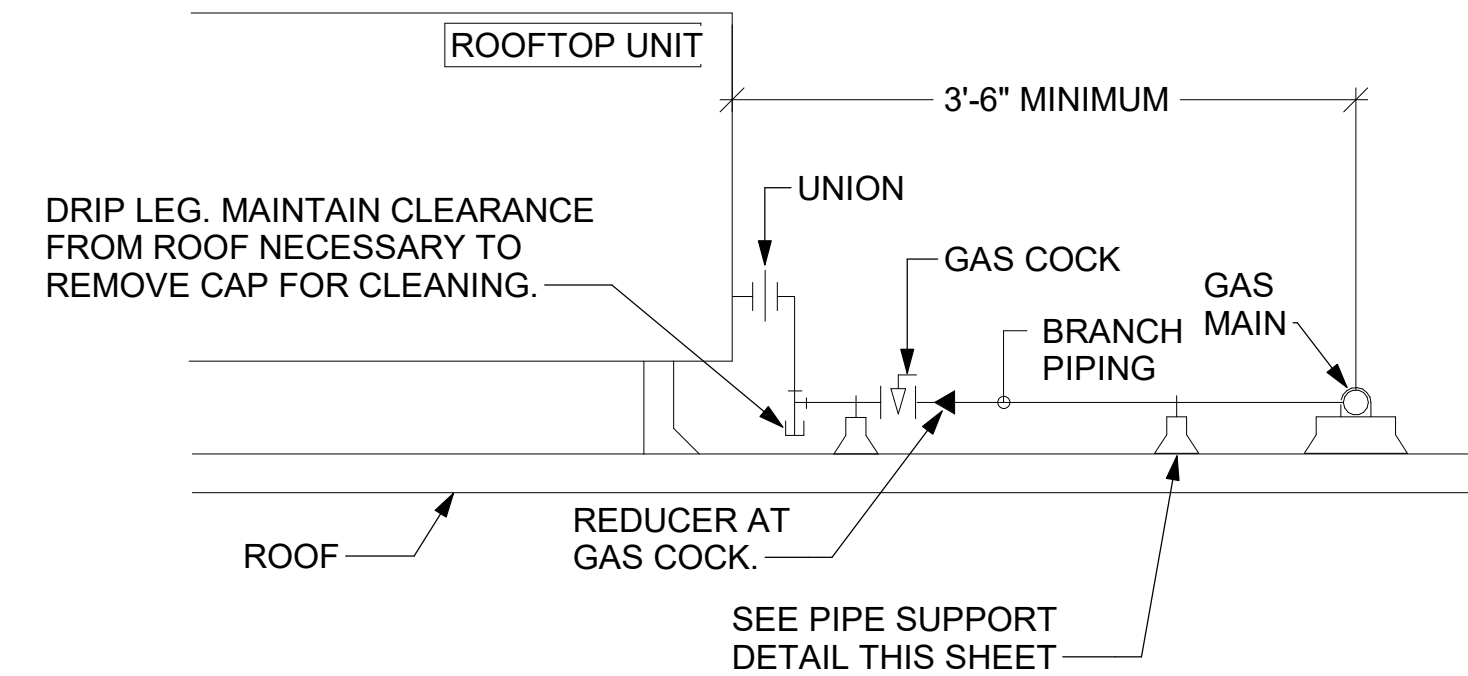
CONSULTANT PROJECT # 2024223.31
DATE 05/30/25
DRAWN BY JDF

Information contained on this drawing and in all digital files produced for above named project may not be reproduced in any manner without express written or verbal consent from authorized project representatives.

SHEET
DETAILS
SHEET NUMBER
M-502

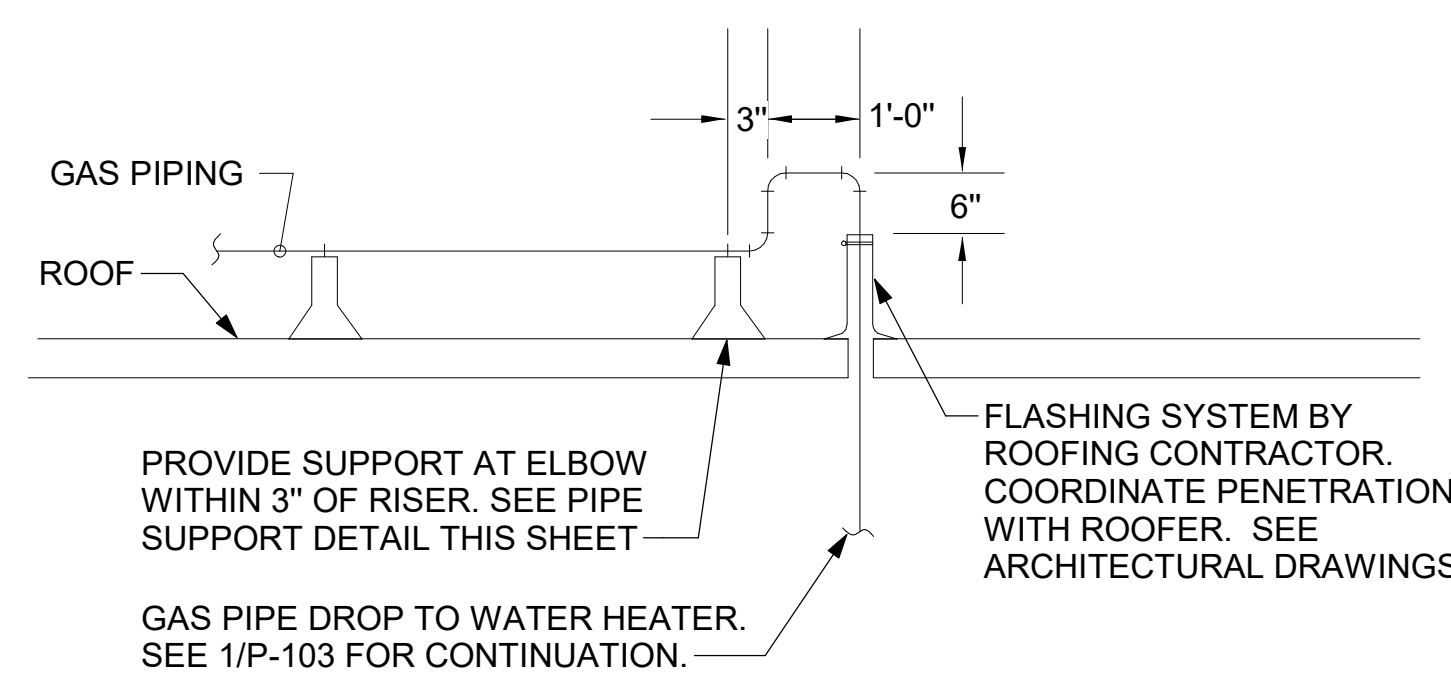
Autodesk Docs://OH_05912_1-75 & Trenton Avenue_2024.7_FSR05912_1-75 & Trenton Avenue_MEC.rvt
5/29/2025 2:32:19 PM
30-LE-05912-M-502-DETAILS

- NOTES:**
1. INSTALL GAS PIPING SUCH THAT HVAC EQUIPMENT ACCESS PANELS AND/OR DOORS ARE IN NO WAY OBSTRUCTED BY PIPING, VALVES, OR SUPPORTS.
 2. TO AVOID CONFLICT WITH AC UNIT ACCESS DOORS, INSTALL GAS PIPING NO CLOSER THAN 3'-6" FROM AC UNIT. (EXCEPT FOR BRANCH LINE CONNECTED TO AC UNIT.)
 3. ROUTE BRANCH TAKE-OFF DIRECTLY FROM MAIN TO ROOFTOP UNIT AS SHOWN ON PLAN AND DETAILS WITHOUT LATERAL OFFSETS WHICH MAY OBSTRUCT UNIT ACCESS DOORS.

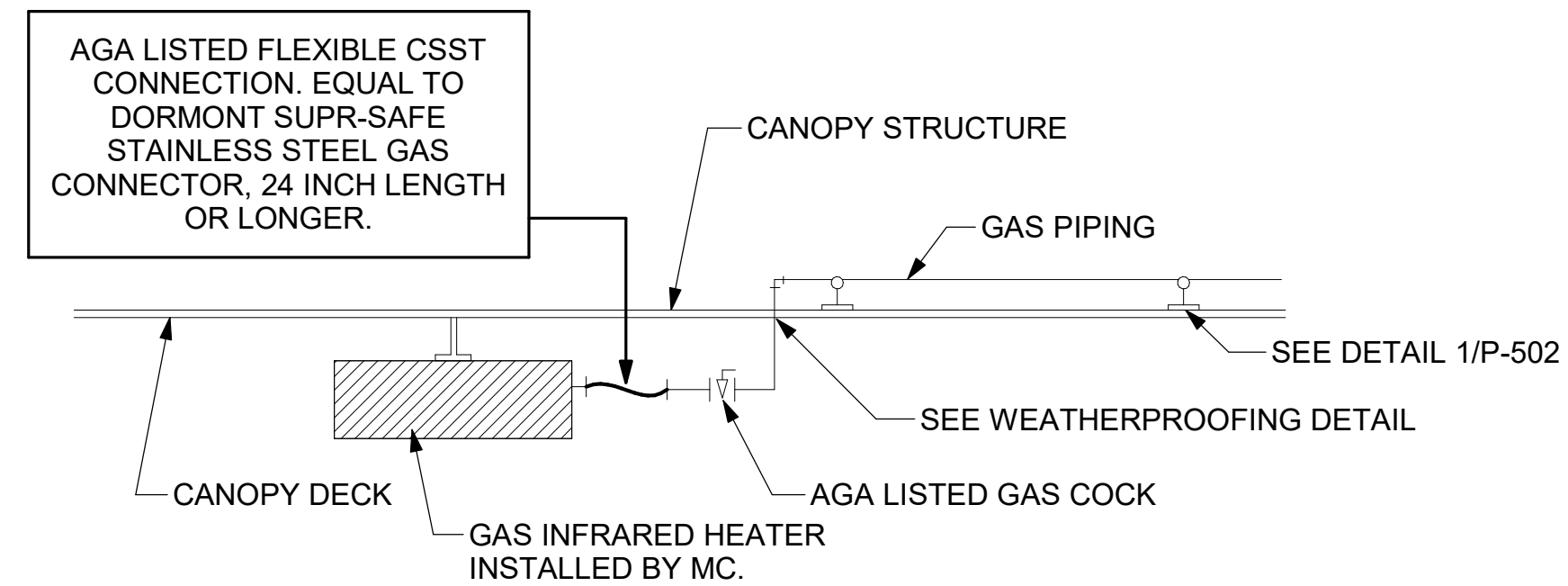


3 GAS PIPING AT RTU
NOT TO SCALE

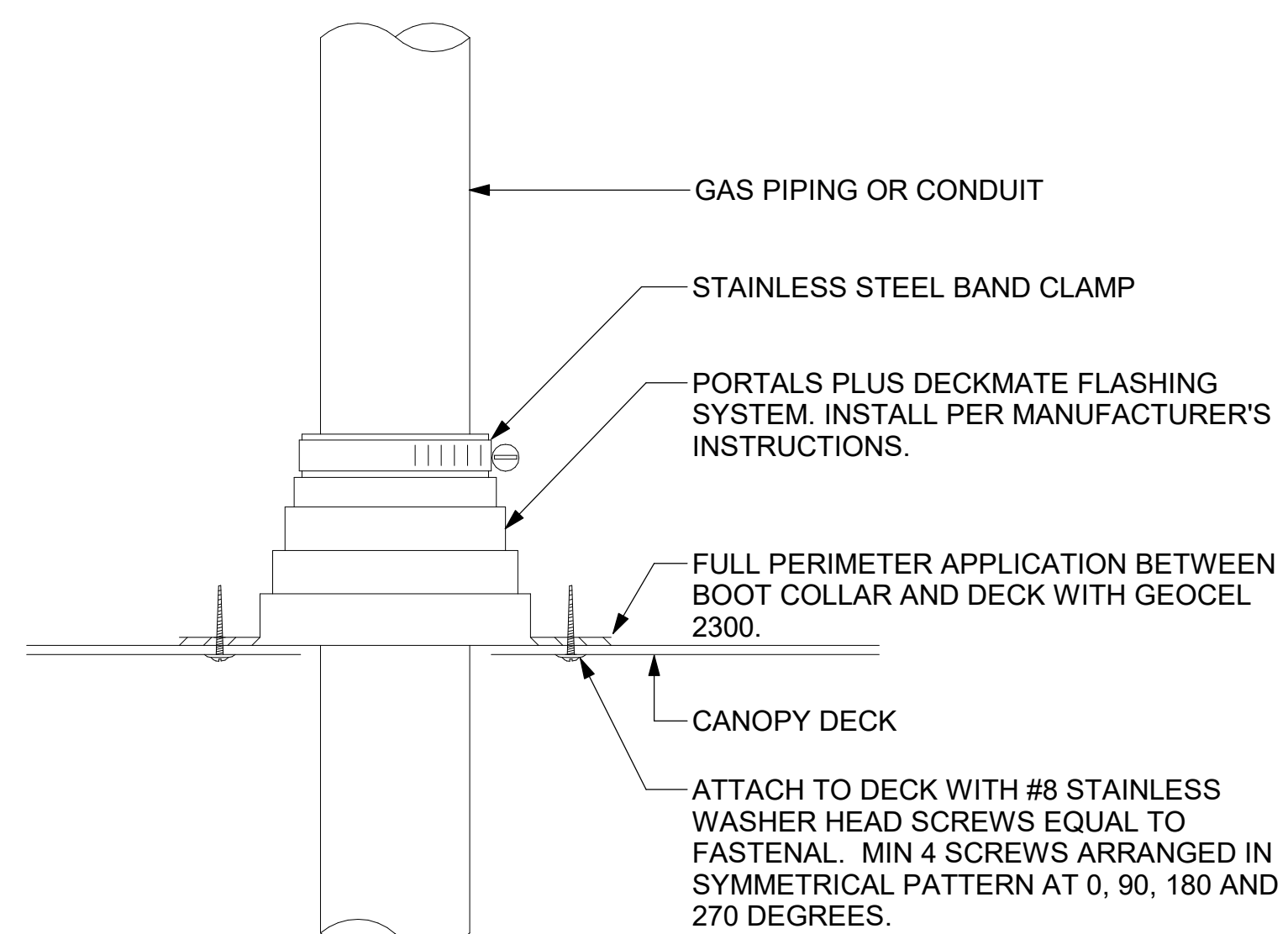
OFFSET PIPING A MINIMUM OF 6" ABOVE TOP EDGE OF FLASHING.



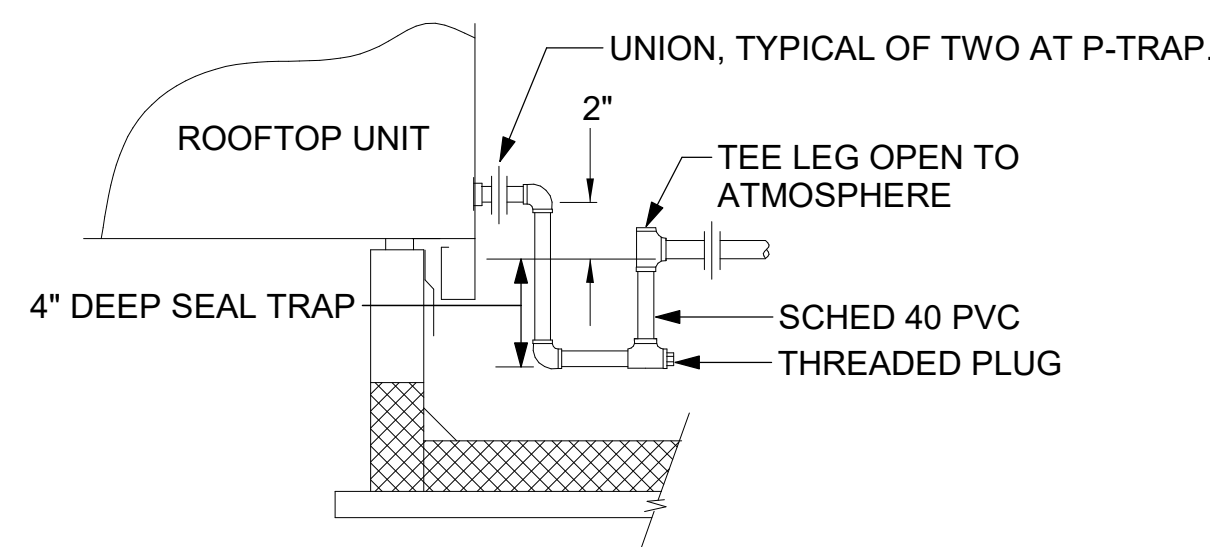
2 GAS PIPE DROP TO WATER HEATER
NOT TO SCALE



1 GAS CONNECTION AT APPLIANCE
NOT TO SCALE

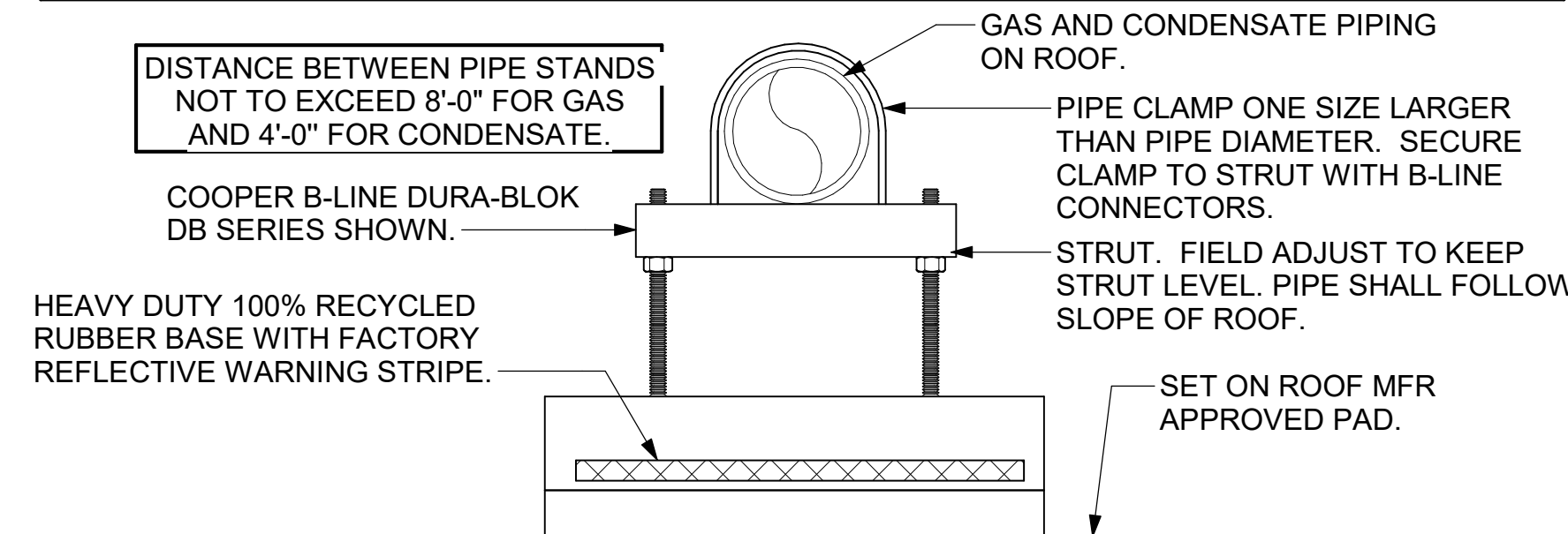


6 WEATHERPROOFING AT CANOPY PENETRATION
NOT TO SCALE

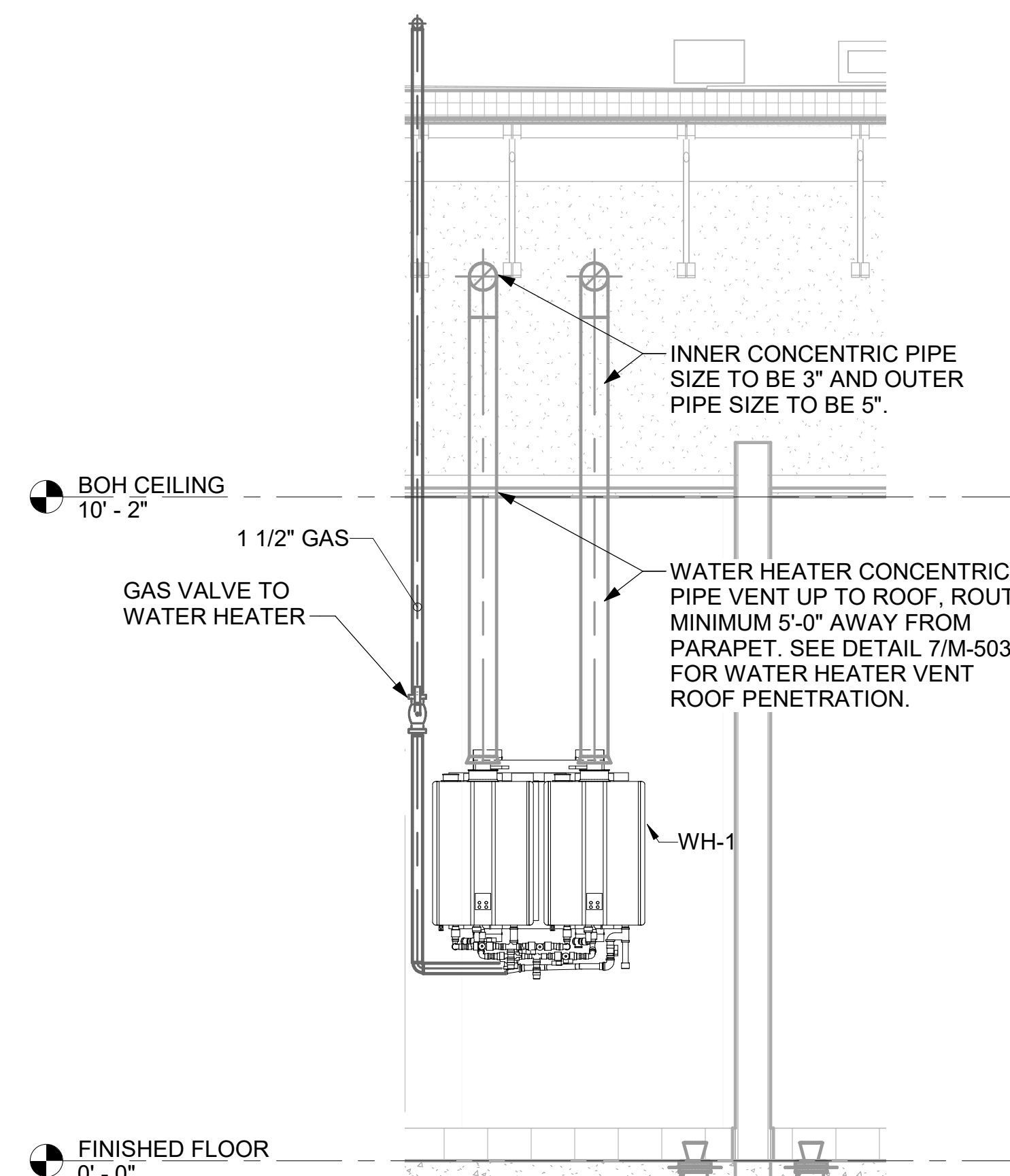


5 CONDENSATE DRAIN PIPING
NOT TO SCALE

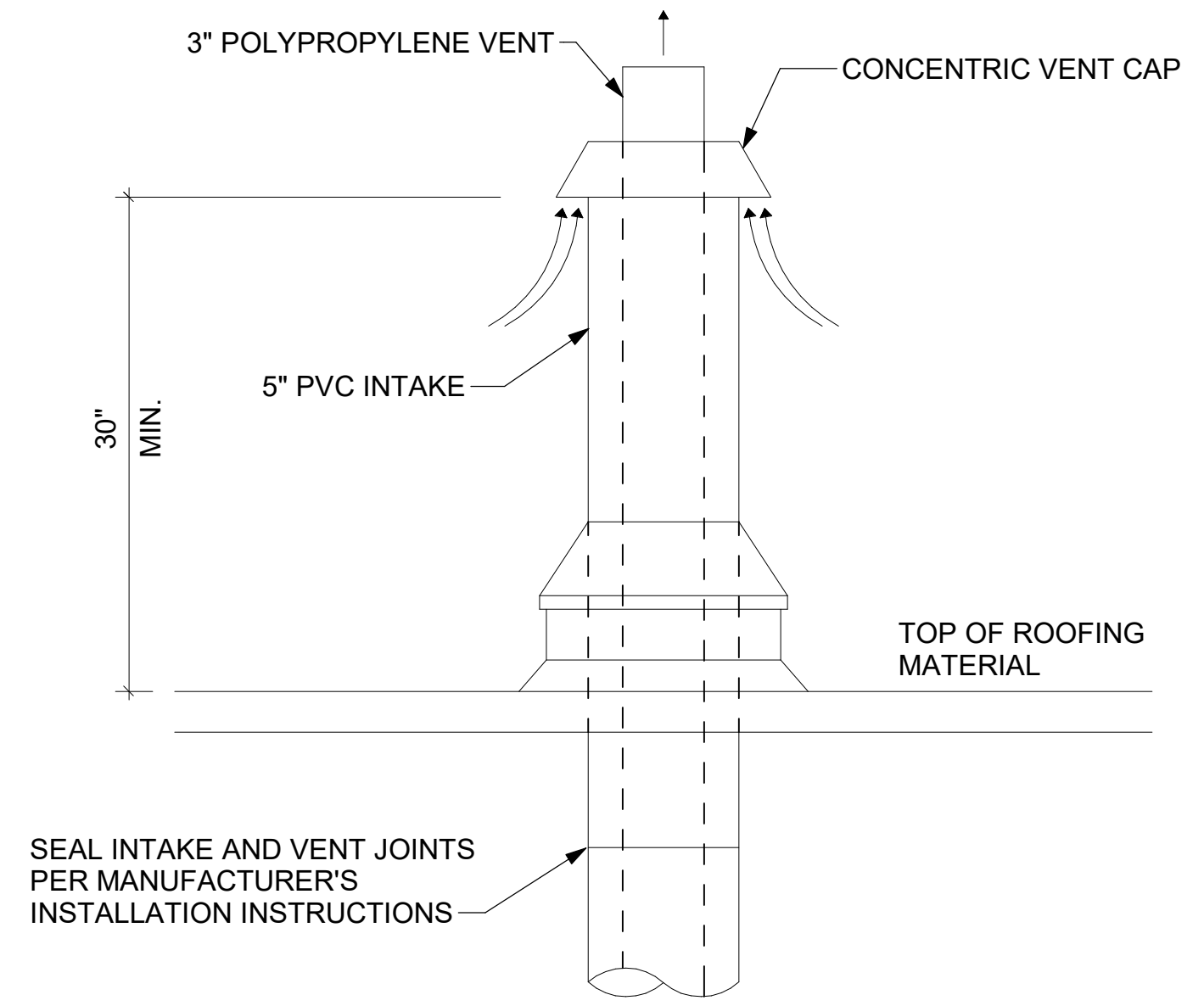
- NOTES:**
1. NON ADJUSTABLE MODEL DB610 PIPE STAND TO BE USED FOR NON-ELEVATED PIPING INSTALLED FLAT ON ROOF DECK.
 2. PROVIDE MODEL DBE 10-8 OR DBE 10-12 OR DBE 10-16 AS NEEDED FOR ELEVATING CONDENSATE PIPING TO MAINTAIN PROPER SLOPE AND FOR GAS PIPING CROSSING OVER CONDENSATE PIPING.
 3. ENSURE GAS AND CONDENSATE PIPING DO NOT OBSTRUCT ROOFTOP EQUIPMENT ACCESS OPENINGS. RE-PIPING OF SYSTEMS DUE TO CONFLICTS WITH EQUIPMENT ACCESS OPENINGS SHALL BE DONE AT PLUMBING CONTRACTOR'S EXPENSE.



4 PIPING SUPPORT ON ROOF
NOT TO SCALE



8 WATER HEATER GAS PIPING AND VENTING
NOT TO SCALE



7 WATER HEATER VENT ROOF PENETRATION
NOT TO SCALE

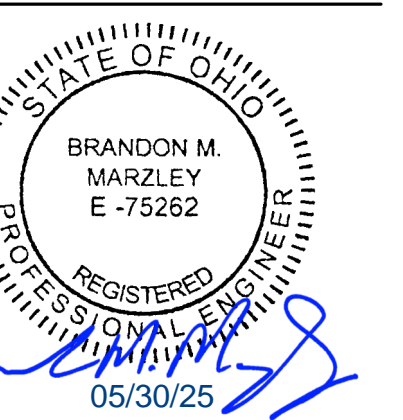


Chick-fil-A

Chick-fil-A
5200 Buffington Road
Atlanta, Georgia
30349-2998



GPD GROUP
Glen, Pa., Schwan, Burns & DeHaven, Inc.
120 South Main Street, Suite 2011
Akron, OH 44311
330.572.2100 Fax 330.572.1101
Copyright (Glen, Pa., Schwan, Burns & DeHaven, Inc. 2024)



CHICK-FIL-A
FLAG CITY
1165 W TRENTON AVE
FINDLAY, OH 45840

FSR#05912

BUILDING TYPE / SIZE: P14 LE BN
RELEASE: 24.08
PRINTED FOR:
ISSUED FOR CONSTRUCTION

NO.	DATE	DESCRIPTION

CONSULTANT PROJECT # 2024223.31
DATE 05/30/25
DRAWN BY JDF

Information contained on this drawing and in all digital files produced for above named project may not be reproduced in any manner without express written or verbal consent from authorized project representatives.

SHEET NUMBER
M-503

ROOFTOP UNIT SCHEDULE - TRANE

MARK	MANUFACTURER	MODEL	EER	IEER / SEER	TOTAL WEIGHT	SUPPLY (CFM)	OA (CFM)	HP	ESP (in-wg)	TOTAL COOLING MBH	SENSIBLE COOLING MBH	HEATING INPUT MBH	HEATING OUTPUT MBH	VOLTAGE (V)	PHASE	MCA (A)	MOCP (A)	REMARKS
AC-1T	TRANE	YSJ300A3	9.8	13	2731.00 lb	8,125	1,750	3	0.8	278.3	210	400	324.5	208	3	125	150	1,3,4,5,6,7,8,9,10,11,12,14,15,16,17
AC-2T	TRANE	YSJ150A3	11	14.6	1559.00 lb	4,375	1,075	4.6	0.8	150.9	114.9	240	194.4	208	3	64	90	2,3,4,5,6,7,8,9,10,11,12,14,15,16,17
AC-3T	TRANE	YSJ180A3	10.8	14	2471.00 lb	5,250	1,275	3	0.8	184.3	140.4	400	324	208	3	78	100	2,3,4,5,6,7,8,9,10,11,12,14,15,16,17
AC-4T	TRANE	YHC067E3	13	17	917.00 lb	1,750	425	1	0.8	58.1	44.2	130	104	208	3	33	45	2,3,4,5,6,7,8,9,10,11,12,14,15,16,17

NOTES

- MECHANICAL CONTRACTOR TO VERIFY TRANE SUBMITTAL WITH CONSTRUCTION DOCUMENTS. NATIONAL ACCOUNTS - NO SUBSTITUTIONS PERMITTED - SEE DRAWING G-004.

REMARKS

- DIFFERENTIAL ENTHALPY ECONOMIZER WITH POWER EXHAUST.
- DIFFERENTIAL ENTHALPY ECONOMIZER WITH BAROMETRIC EXHAUST.
- 14" HIGH ROOF CURB.
- SEE DETAIL 2/M-702T FOR SETTING OF CONTROL PARAMETERS BY MC.
- FACTORY INSTALLED 115V GFI SERVICE OUTLET. SEPERATE 115V CIRCUIT PROVIDED BY ELECTRICAL CONTRACTOR.
- FACTORY INSTALLED RETURN AIR SMOKE DETECTOR.
- FACTORY INSTALLED NON-FUSED DISCONNECT.
- 2" MERV 8 THROW AWAY FILTERS.
- HINGED PANELS FOR ACCESS TO FILTER(S), FAN BLOWER & MOTOR, COMPRESSOR(S) ACCESS AND CONTROLS.
- FACTORY COIL HAIL GUARD, FIELD INSTALLED.
- FRESH AIR TEMPERING KIT.
- HOT GAS DEHUMIDIFICATION OPTION WITH WALL MOUNTED HUMIDITY SENSOR.
- NOT USED.
- FACTORY CONFIGURED PHASE LOSS PROTECTION.
- FACTORY INSTALLED CONDENSATE PAN DRAIN OVERFLOW SWITCH.
- FACTORY STAINLESS STEEL HEAT EXCHANGER.
- 100K SCOR RATING.

FAN SCHEDULE

MARK	AREA SERVED	MANUFACTURER	MODEL	TOTAL WEIGHT	FAN CFM	ESP (in-wg)	MOTOR RPM	HP	VOLTAGE (V)	PHASE	FLA (A)	MOCP (A)	REMARKS
CF-1	OUTDOOR CANOPY	TPI	U-18-TE-HD	20.00 lb	1,900	0.010	1,625	0.100	120	1	1.1	20	20,21,24
EF-1	HOOD#1	HALTON	KEFB-14-CFA	393.00 lb	1,913	0.750	1,331	0.750	120	1	0	25	1,2,3,4,5,6,7,8,9,10,11
EF-2	HOOD#2 & HOOD#3	HALTON	KEFB-14-CFA	393.00 lb	1,402	0.950	1,199	0.750	115	1	0	25	1,2,3,4,5,6,7,8,9,10,11
EF-3	RESTROOMS	ACCUREX	XRED-095-VG	49.00 lb	300	0.375	1,550	0.125	120	1	2.2	20	1,3,11,12,13,14,15,16
TF-1	TECH CLOSET	GREENHECK	SP-A510-VG	33.00 lb	450	0.300	1,144	0.127	120	1	2.5	0	1,17, 18, 19

NOTES

- NATIONAL ACCOUNT - NO SUBSTITUTIONS PERMITTED.

REMARKS

- FANS SUPPLIED BY HALTON.
- U.L. 705 LISTED AND LABELED FOR RESTAURANT APPLICATIONS.
- FACTORY INSTALLED PREWIRED DISCONNECT SWITCH.
- 19" HIGH ROOF CURB.
- INSTALL ROOFTOP SOLUTIONS G2 DRIP GUARD. MECHANICAL CONTRACTOR TO CONTACT ROOFTOP SOLUTIONS AT 800-913-7034.
- FACTORY WEATHER HOUSING W/ HINGED ACCESS DOOR.
- FACTORY DRAIN CONNECTION.
- FACTORY BOLTED ACCESS DOOR ON SCROLL.
- FACTORY INSTALLED BELT DRIVE WITH ADJUSTABLE MOTOR SHEAVE, SPARE BELT, AND BELT TENSIONER.
- FACTORY INSTALLED OUTLET WITH QUICK RELEASE, HINGED ACCESS, AND GRAVITY BACKDRAFT DAMPER.
- INTEGRAL THERMAL OVERLOAD.
- BIRDSCREEN.
- BACKDRAFT DAMPER IN DUCT BY MECHANICAL CONTRACTOR AS SHOWN ON 5/M-501.
- STARTER BY ELECTRICAL CONTRACTOR. INTERLOCK WITH LIGHTS BY ELECTRICAL CONTRACTOR.
- 12" HIGH CURB.
- FACTORY INSTALLED AND WIRED SPEED CONTROLLER.
- PROVIDE NEMA 1 PREWIRED DISCONNECT.
- INTEGRAL POTENTIOMETER ON FAN MOTOR. SET TO FULL SPEED.
- PROVIDE THERMOSTAT THERMOSTAT / TEMPERATURE CONTROLLER. SET TO 76°F.
- INSTALL PER MANUFACTURER'S RECOMMENDATIONS.
- PROVIDE WITH ON/OFF SWITCH.
- NOT USED.
- NOT USED.
- FAN SUPPLIED BY TOM BARROW OR POWERS OF ARKANSAS FOR SOUTHWEST REGION.

HOOD SCHEDULE

MARK	MANUFACTURER	MODEL	EXHAUST CFM	SP @ TAB PORT (in-wg)	CAPTURE JET CFM @ S.P.	TYPE	COLLAR SIZE	WIDTH	DEPTH	HEIGHT	REMARKS
HOOD-1L	HALTON	KVL-2 IC	1,204	0.13	80 @ 0.30"	BACKSHELF	14"x8"	107"	37"	38"	1, 2, 3, 4, 5, 7, 8, 9, 12, 16, 21, 23
HOOD-1R	HALTON	KVL-2 IC	709	0.13	47 @ 0.30"	BACKSHELF	8"x8"	63"	37"	38"	1, 2, 3, 5, 7, 8, 9, 12, 20, 21, 22
HOOD-2	HALTON	KVL-C IC	701	0.3	30 @ 0.29"	BACKSHELF	8"x8"	42"	34"	38"	1, 2, 3, 6, 7, 8, 9, 13, 15, 16, 18, 21
HOOD-3	HALTON	KVL-C IC	701	0.3	30 @ 0.29"	BACKSHELF	8"x8"	42"	34"	38"	1, 2, 3, 4, 6, 7, 8, 9, 13, 17, 21

NOTES

DIMENSIONS OF HOODS INCLUDE BACK AND SIDE SPACERS (HEIGHT DOES NOT INCLUDE CLOSURE PANELS). NATIONAL ACCOUNTS - NO SUBSTITUTIONS PERMITTED - SEE DRAWING G-004.

REMARKS

- STAINLESS STEEL CONSTRUCTION.
- PROVIDE FULL HEIGHT SS CLOSURE PANEL WITH ACCESS PANEL IN FRONT LARGE ENOUGH TO REMOVE CAPTURE JET FAN, FIRE SUPPRESSION COMPONENTS, AND/OR TO ACCESS KBD EQUALIZER JACK SCREW.
- PRE-PIPED FIRE SUPPRESSION SYSTEM.
- FIRE SUPPRESSION CABINET AND COMPONENTS ABOVE HOOD ON LEFT SIDE.
- 3" ZERO CLEARANCE TO COMBUSTIBLE BACK SPACER.
- 3" ZERO CLEARANCE TO COMBUSTIBLE CUSTOM BACK SPACER TO ACCOMMODATE PIN AND SLEEVE ELECTRICAL BOX.
- EQUIPMENT I.D. LABELS LOCATED ON FRONT LEADING EDGE OF HOOD.
- FACTORY WALL MOUNTING ANGLE AT TOP OF HOOD.
- INTEGRAL CAPTURE JET FAN.
- NOT USED.
- NOT USED.
- NOT USED.
- PIN AND SLEEVE ELECTRICAL BOX (DOUBLE CONNECTION). SEE ARCHITECTURAL AND ELECTRICAL DRAWINGS FOR ADDITIONAL INFORMATION.
- NOT USED.
- 3" ZERO CLEARANCE TO COMBUSTIBLE RIGHT SIDE SPACER.
- NOTCHED LEFT END SIDE PANEL.
- NOTCHED RIGHT END SIDE PANEL.
- 3"x3" HORIZONTAL AND VERTICAL TRIM ANGLE FOR RIGHT SIDE OF HOOD TO FINISH OFF GAP AT WALL.
- FULL LEFT END SIDE PANEL.
- FULL RIGHT END SIDE PANEL.
- HALTON KBD EQUALIZER.
- CONTINUOUS CAPTURE INTERNAL LEFT END CUTOUT.
- CONTINUOUS CAPTURE INTERNAL RIGHT END CUTOUT.

AIR DOOR SCHEDULE

MARK	AREA SERVED	MANUFACTURER	MODEL	CFM	VELOCITY (FPM)	HEATING (KW)	MOTOR HP	MCA (A)	MOCP (A)	VOLTAGE (V)	PHASE	REMARKS
AD-1	DRIVE THRU	POWERED AIRE	CHA-1-48E	1,543	2,338	10	0.75	31.4	40	208	3	1,2,3,5
AD-2	SERVING	POWERED AIRE	ETA-1-36E	1,197	2,443	10	0.75	31.4	40	208	3	1,2,3,6
AD-3	REAR DOOR	POWERED AIRE	RBT-1-48	3,867	4,218	0	0.75	3.6	20	208	1	4

NOTES

- NATIONAL ACCOUNT - NO SUBSTITUTIONS PERMITTED - SEE DRAWING G-004

REMARKS

- FACTORY PROVIDED, WIRED, AND UNIT MOUNTED SPEED CONTROLLER ABOVE CEILING.
- FACTORY WIRED DISCONNECT.
- FACTORY PROVIDED, FIELD INSTALLED BY MC, REMOTE WALL SWITCHES FOR HEATING ON/OFF AND FAN ON/AUTO SWITCH. SEE DETAILS ON M502.
- FACTORY PROVIDED MAGNETIC DOOR CONTACT WITH FACTORY INSTALLED LOW VOLTAGE CONTROLS LOCATED IN AIR DOOR CABINET.
- PROVIDE WITH A DIVERTER BOX. PROVIDE WITH MOUNTING BRACKETS PER MANUFACTURER'S RECOMMENDATIONS.
- PROVIDE WITH NOZZLE EXTENSION, SEE DETAIL 3/M502.

AIR DEVICE SCHEDULE

MARK	DESCRIPTION	LOCATION	NECK SIZE	FACE SIZE	FRAME TYPE	REMARKS
A	PRICE MODEL APDC ALUMINUM SUPPLY AIR DIFFUSER WITH INDIVIDUALLY ADJUSTABLE CURVED AIR PATTERN CONTROLLERS.	DINING / KITCHEN	VARIES	24"x24"	LAY-IN	1,7
B	VARITHERM PLAQUE DIFFUSER	OFFICE	8"	24"x24"	LAY-IN	1,7,8
C	PRICE MODEL SMCD STEEL SUPPLY AIR DIFFUSER FIELD ADJUSTABLE AIR PATTERN CONTROLLERS.	ENTRY	14"x14"	16"x16"	BEVELLED	1,3,5,6
D	PRICE MODEL APDC ALUMINUM SUPPLY AIR DIFFUSER WITH INDIVIDUALLY ADJUSTABLE CURVED AIR PATTERN CONTROLLERS.	SERVING	VARIES	16"x16"	SURFACE	1,3,5,6
E	PRICE MODEL APDC ALUMINUM SUPPLY AIR DIFFUSER WITH INDIVIDUALLY ADJUSTABLE CURVED AIR PATTERN CONTROLLERS.	DINING	6"	12"x12"	SURFACE	1,3,5,6
F	PRICE MODEL 80 EGGCRATE RETURN AIR GRILLE WITH REMOVABLE WHITE CORE, FACTORY FLAT BLACK BACKPAN AND ROUND NECK.	DINING / KITCHEN / MFA	24"x24"	24"x24"	LAY-IN	1,7,8
FF	PRICE MODEL 80FF STEEL FILTER RETURN AIR GRILLE WITH REMOVABLE WHITE CORE, FACTORY FLAT BLACK BACKPAN AND ROUND NECK.	MFA	24"x24"	24"x24"	LAY-IN	1,7,8
J	PRICE MODEL SMCD STEEL SUPPLY AIR DIFFUSER FIELD ADJUSTABLE AIR PATTERN CONTROLLERS.	RESTROOMS	VARIES	10"x10"	BEVELLED	1,2,3,5,6
K	PRICE MODEL APDDR ALUMINUM PERFORATED FACE RETURN AIR GRILLE.	RESTROOMS / ENTRY	14"x14"	16"x16"	SURFACE	1,4,5,6

NOTES

- NATIONAL ACCOUNT - NO SUBSTITUTIONS PERMITTED - SEE DRAWING G-004

REMARKS

- STANDARD OFF WHITE FINISH.
- PROVIDE MODEL VCS3 NECK DAMPER.
- SEE DRAWING M-101 FOR THROW.
- PROVIDE MODEL VCR7 NECK DAMPER ON GRILLES IN RESTROOMS SERVING EXHAUST FAN.
- PROVIDE BACKPAN. MC TO SEAL JOINTS WITH MASTIC AND INSULATE EXTERNALLY.
- FIELD INSULATE BACKPAN AS SHOWN ON DETAIL 3/M-501.
- FACTORY INSULATED R-6 BACKPAN.
- PROVIDE RELIEF COLLAR ACCESSORY FOR VAV DIFFUSER.

HEATER SCHEDULE

MARK	MANUFACTURER	MODEL	HEATING INPUT		FRAME LENGTH	FRAME WIDTH	FRAME DEPTH	MOUNTING TYPE	VOLTAGE (V)	PHASE	FLA (A)	MOCP (A)	REMARKS
			ELECTRIC (KW)	GAS (MBH)									
EIH-1	BROMIC	BH0420035	6.00	0.0	56"	8.5"	3.5"	WALL BRACKET	208	1	28.9	40	1, 2, 3, 4
IRH	SPACE-RAY	WB50	0.00	50.0	48"	13.4"	13.4"	BRACKET	120	1	0.4	20	1, 5, 6, 7

NOTES

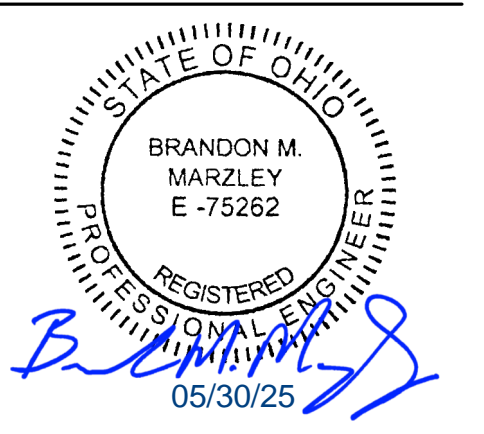
- NATIONAL ACCOUNT NO SUBSTITUTIONS PERMITTED - SEE DRAWING G-004.
- CONFIRM HEATER QUANTITY WITH CANOPY SHOP DRAWINGS.

REMARKS

- STAINLESS STEEL LENS WITH BLACK EMISSIVE COATING.
- PROVIDE ENGRAVED PLASTIC LABEL AT EACH UNIT WITH UNIT DESIGNATION IN 1" HIGH WHITE LETTERS ON A BLACK BACKGROUND.
- PROVIDE BLACK HEATER WITH HIGH TEMPERATURE COATING, AND MANUFACTURER MOUNTING BRACKETS.
- PROVIDE BROMIC WALL MOUNTED ELECTRIC HEATER MODEL: BH0420033 FOR 220-240V SITES.
- STEEL BURNER WITH CERAMIC BURNER TILES.
- PROVIDE ENGRAVED PLASTIC LABEL AT EACH UNIT WITH UNIT DESIGNATION IN 1" HIGH WHITE LETTERS ON A BLACK BACKGROUND. MOUNT TO CANOPY DECK, FACING FORWARD, 12" Laterally FROM THE LONG SIDE OF THE HEATER.
- STAINLESS STEEL HEAT SHIELDS.



Chick-fil-A
 5200 Buffington Road
 Atlanta, Georgia
 30349-2998



CHICK-FIL-A
 FLAG CITY
 1165 W TRENTON AVE
 FINDLAY, OH 45840

FSR#05912
 BUILDING TYPE / SIZE: P14 LE BN
 RELEASE: 24.08
 PRINTED FOR: ISSUED FOR CONSTRUCTION
 REVISION SCHEDULE
 NO. DATE DESCRIPTION

CONSULTANT PROJECT # 2024223.31
 DATE 05/30/25
 DRAWN BY JDF
 Information contained on this drawing and in all digital files produced for above named project may not be reproduced in any manner without express written or verbal consent from authorized project representatives.
 SHEET
 EQUIPMENT SCHEDULES - TRANE
 SHEET NUMBER

M-601T

Autodesk Docs://OH_05912_I-75 & Trenton Avenue_2024.7_FSR05912_I-75 & Trenton Avenue_MEC.rvt
 5/29/2025 2:32:31 PM
 30-LE-05912-M-601T-EQUIPMENT SCHEDULES - TRANE

VENTILATION SCHEDULE

General			Ventilation													Exhaust						
Room #	Room Name	Area Az ft2	People			Area							Toilet			Served by						
			Occupant Density People/1,000 ft2	Occupants Pz	Outdoor Airflow Rate CFM/Person Rp	Outdoor Airflow CFM Pz x Rp	Outdoor Airflow Rate CFM/Ra	Outdoor Airflow CFM Az x Ra	Breathing Zone Outdoor Airflow CFM Vbz	Zone Air Distribution Effectiveness Ez	Zone Outdoor Airflow CFM Voz	Primary Zone Airflow CFM Vpz	Primary Outdoor Air Fraction Zp	Actual Outdoor Airflow CFM	Required Exhaust Rate CFM/Rt2	Total Required Exhaust CFM	Exhaust Control/Operation	Fixture Exhaust Rate CFM/Fixture	Required Fixture Exhaust CFM	Actual Exhaust CFM	Supply	Exhaust
1	Kitchen	880	20	18	7.5	135	0.12	106	241	0.8	301	7,325	0.04	1,578	0.70	616	-	-	-	3,315	AC-1L / AC-1T	EF-1 / EF-2
2	Kitchen (Dish Washing)	128	15	2	7.5	15	0.18	23	38	0.8	48	800	0.06	172	-	-	-	-	-	-	AC-1L / AC-1T	-
Total Area 1,008						Total Vbz 279			Total Supply Airflow 8,125			1,750			Actual Outdoor Airflow							
						Diversity (D) 1.00			Maximum Zp 0.06													
						Uncorrected Outdoor Air Intake (You) 279			System Ventilation Efficiency (Ev) 1.00													
						Required Outdoor Air Intake (CFM) 278																

VENTILATION SCHEDULE

General			Ventilation													Exhaust						
Room #	Room Name	Area Az ft2	People			Area							Toilet			Served by						
			Occupant Density People/1,000 ft2	Occupants Pz	Outdoor Airflow Rate CFM/Person Rp	Outdoor Airflow CFM Pz x Rp	Outdoor Airflow Rate CFM/Ra	Outdoor Airflow CFM Az x Ra	Breathing Zone Outdoor Airflow CFM Vbz	Zone Air Distribution Effectiveness Ez	Zone Outdoor Airflow CFM Voz	Primary Zone Airflow CFM Vpz	Primary Outdoor Air Fraction Zp	Actual Outdoor Airflow CFM	Required Exhaust Rate CFM/Rt2	Total Required Exhaust CFM	Exhaust Control/Operation	Fixture Exhaust Rate CFM/Fixture	Required Fixture Exhaust CFM	Actual Exhaust CFM	Supply	Exhaust
5	Meal Fulfillment Area	460	15	7	7.5	52.5	0.18	83	135	0.8	170	4,375	0.04	1,075	-	-	-	-	-	-	AC-2L / AC-2T	-
Total Area 460						Total Vbz 135			Total Supply Airflow 4,375			1,075			Actual Outdoor Airflow							
						Diversity (D) 1.00			Maximum Zp 0.03													
						Uncorrected Outdoor Air Intake (You) 135			System Ventilation Efficiency (Ev) 1.00													
						Required Outdoor Air Intake (CFM) 135																

VENTILATION SCHEDULE

General			Ventilation													Exhaust						
Room #	Room Name	Area Az ft2	People			Area							Toilet			Served by						
			Occupant Density People/1,000 ft2	Occupants Pz	Outdoor Airflow Rate CFM/Person Rp	Outdoor Airflow CFM Pz x Rp	Outdoor Airflow Rate CFM/Ra	Outdoor Airflow CFM Az x Ra	Breathing Zone Outdoor Airflow CFM Vbz	Zone Air Distribution Effectiveness Ez	Zone Outdoor Airflow CFM Voz	Primary Zone Airflow CFM Vpz	Primary Outdoor Air Fraction Zp	Actual Outdoor Airflow CFM	Required Exhaust Rate CFM/Rt2	Total Required Exhaust CFM	Exhaust Control/Operation	Fixture Exhaust Rate CFM/Fixture	Required Fixture Exhaust CFM	Actual Exhaust CFM	Supply	Exhaust
1	Dining	1,209	70	85	7.5	637.5	0.18	218	855	0.8	1069	4,000	0.267	971	-	-	-	-	-	-	AC-3L / AC-3T	-
2	Serving	313	15	5	7.5	38	0.18	56	94	0.8	118	500	0.23	121	-	-	-	-	-	-	AC-3L / AC-3T	-
3	Men's RR	152	-	-	-	-	-	-	-	0.8	-	125	-	30	-	-	Continuous	50	100	150	AC-3L / AC-3T	EF-3
4	Women's RR	152	-	-	-	-	-	-	-	0.8	-	125	-	30	-	-	Continuous	50	100	150	AC-3L / AC-3T	EF-3
5	RR Vestibule	134	-	-	-	-	0.06	8	8	0.8	11	100	0.10	24	-	-	-	-	-	-	AC-3L / AC-3T	-
6	Entry Vestibule	73	-	-	-	-	0.06	4	4	0.8	6	400	0.01	97	-	-	-	-	-	-	AC-3L / AC-3T	-
Total Area 2,033						Total Vbz 961			Total Supply Airflow 5,250			1,275			Actual Outdoor Airflow							
						Diversity (D) 0.82			Maximum Zp 0.267													
						Uncorrected Outdoor Air Intake (You) 910			System Ventilation Efficiency (Ev) 0.80													
						Required Outdoor Air Intake (CFM) 1,138																

VENTILATION SCHEDULE

General			Ventilation													Exhaust						
Room #	Room Name	Area Az ft2	People			Area							Toilet			Served by						
			Occupant Density People/1,000 ft2	Occupants Pz	Outdoor Airflow Rate CFM/Person Rp	Outdoor Airflow CFM Pz x Rp	Outdoor Airflow Rate CFM/Ra	Outdoor Airflow CFM Az x Ra	Breathing Zone Outdoor Airflow CFM Vbz	Zone Air Distribution Effectiveness Ez	Zone Outdoor Airflow CFM Voz	Primary Zone Airflow CFM Vpz	Primary Outdoor Air Fraction Zp	Actual Outdoor Airflow CFM	Required Exhaust Rate CFM/Rt2	Total Required Exhaust CFM	Exhaust Control/Operation	Fixture Exhaust Rate CFM/Fixture	Required Fixture Exhaust CFM	Actual Exhaust CFM	Supply	Exhaust
1	Team Member Room	158	50	8	5	40	0.06	9	49	0.8	62	800	0.10	148	-	-	-	-	-	-	AC-4L / AC-4T	-
2	Service	157	-	-	-	-	0.12	19	19	0.8	24	185	0.13	45	-	-	-	-	-	-	AC-4L / AC-4T	-
3	Beverage	166	-	-	-	-	0.12	20	20	0.8	25	275	0.09	67	-	-	-	-	-	-	AC-4L / AC-4T	-
4	Utility	100	-	-	-	-	0.12	12	12	0.8	15	300	0.05	73	-	-	-	-	-	-	AC-4L / AC-4T	-
5	Dry Storage	471	-	-	-	-	0.12	57	57	0.8	71	150	0.47	36	-	-	-	-	-	-	AC-4L / AC-4T	-
6	Office	79	5	1	5	5	0.06	5	10	0.8	13	100	0.12	24	-	-	-	-	-	-	AC-4L / AC-4T	-
7	Flex/Employee RR	62	-	-	-	-	-	-	-	0.8	-	40	-	10	-	-	Intermittent	70	70	75	AC-4L / AC-4T	EF-4
8	Riser	19	-	-	-	-	0.12	2	2	0.8	3	100	0.03	24	-	-	-	-	-	-	AC-4L / AC-4T	-
Total Area 1,212						Total Vbz 169			Total Supply Airflow 1,750			425			Actual Outdoor Airflow							
						Diversity (D) 1.00			Maximum Zp 0.47													
						Uncorrected Outdoor Air Intake (You) 169			System Ventilation Efficiency (Ev) 0.60													
						Required Outdoor Air Intake (CFM) 281																



Chick-fil-A
5200 Buffington Road
Atlanta, Georgia
30349-2998



GPD GROUP
Glenn, Pyle, Schmitt, Burns & DeHaven, Inc.
1205 South Main Street, Suite 2011
Akron, OH 44311
330.512.2100 Fax: 330.512.1101
Copyright (Glenn, Pyle, Schmitt, Burns & DeHaven, Inc. 2024)



CHICK-FIL-A
FLAG CITY
1165 W TRENTON AVE
FINDLAY, OH 45840

FSR#05912

BUILDING TYPE / SIZE: P14 LE BN
RELEASE: 24.08
PRINTED FOR:
ISSUED FOR CONSTRUCTION
REVISION SCHEDULE

NO.	DATE	DESCRIPTION

CONSULTANT PROJECT # 2024223.31
DATE 05/30/25
DRAWN BY JDF

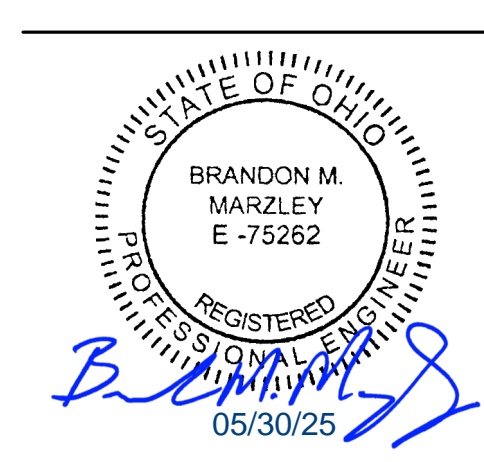
Information contained on this drawing and in all digital files produced for above named project may not be reproduced in any manner without express written or verbal consent from authorized project representatives.

SHEET
VENTILATION SCHEDULES

SHEET NUMBER
M-602



Chick-fil-A
 5200 Buffington Road
 Atlanta, Georgia
 30349-2998



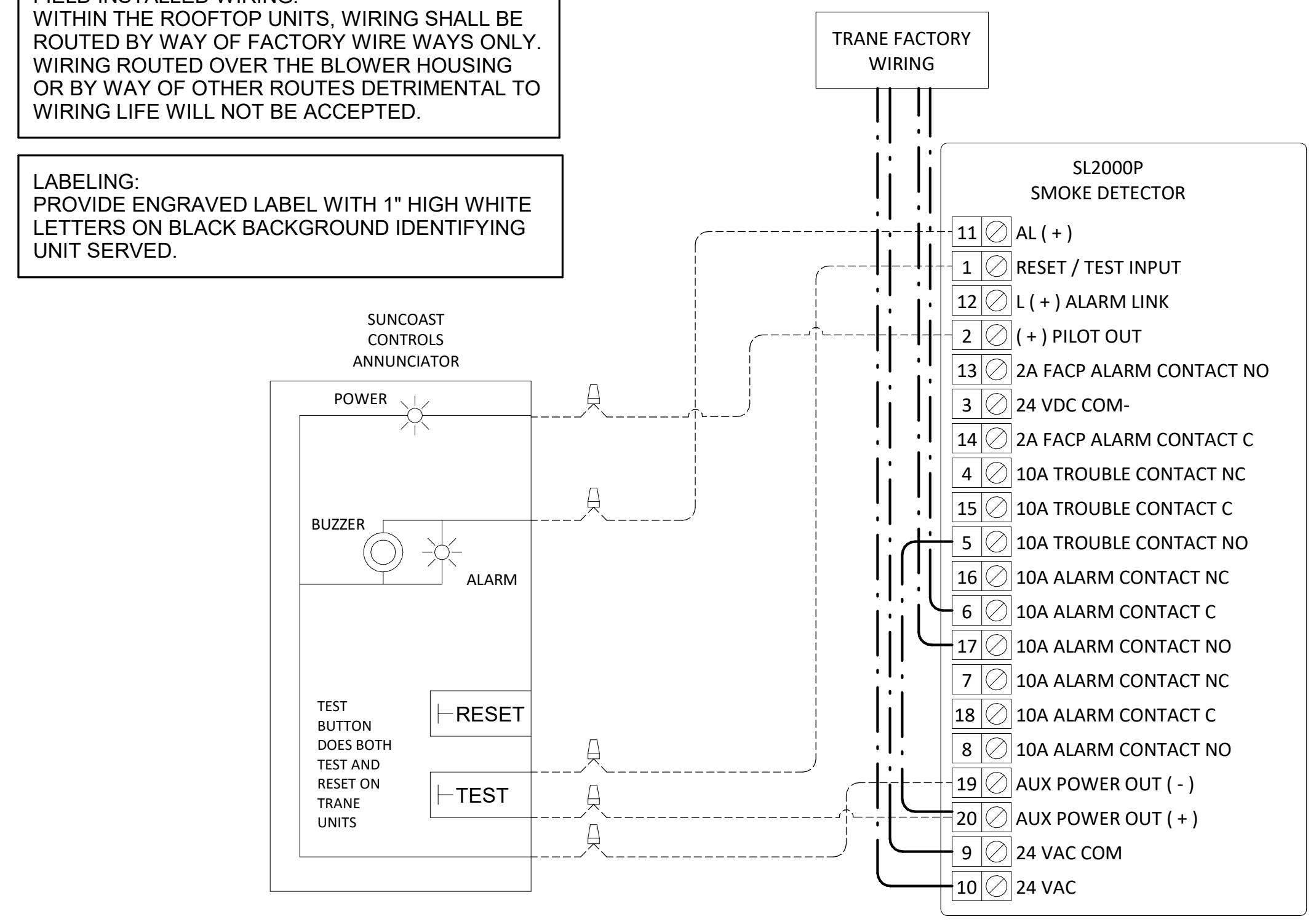
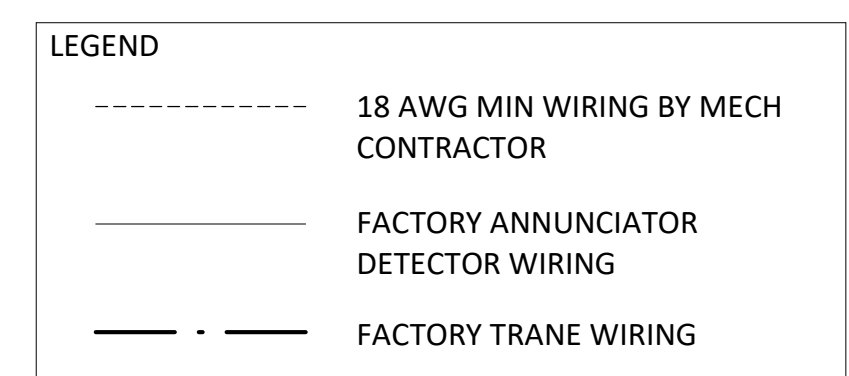
CHICK-FIL-A
 FLAG CITY
 1165 W TRENTON AVE
 FINDLAY, OH 45840

FSR#05912
 BUILDING TYPE / SIZE: P14 LE BN
 RELEASE: 24.08
 PRINTED FOR: ISSUED FOR CONSTRUCTION
 REVISION SCHEDULE
 NO. DATE DESCRIPTION
 CONSULTANT PROJECT # 2024223.31
 DATE 05/30/25
 DRAWN BY JDF
 Information contained on this drawing and in all digital files produced for above named project may not be reproduced in any manner without express written or verbal consent from authorized project representatives.
 SHEET CONTROL WIRING DIAGRAMS - TRANE
 SHEET NUMBER **M-701T**

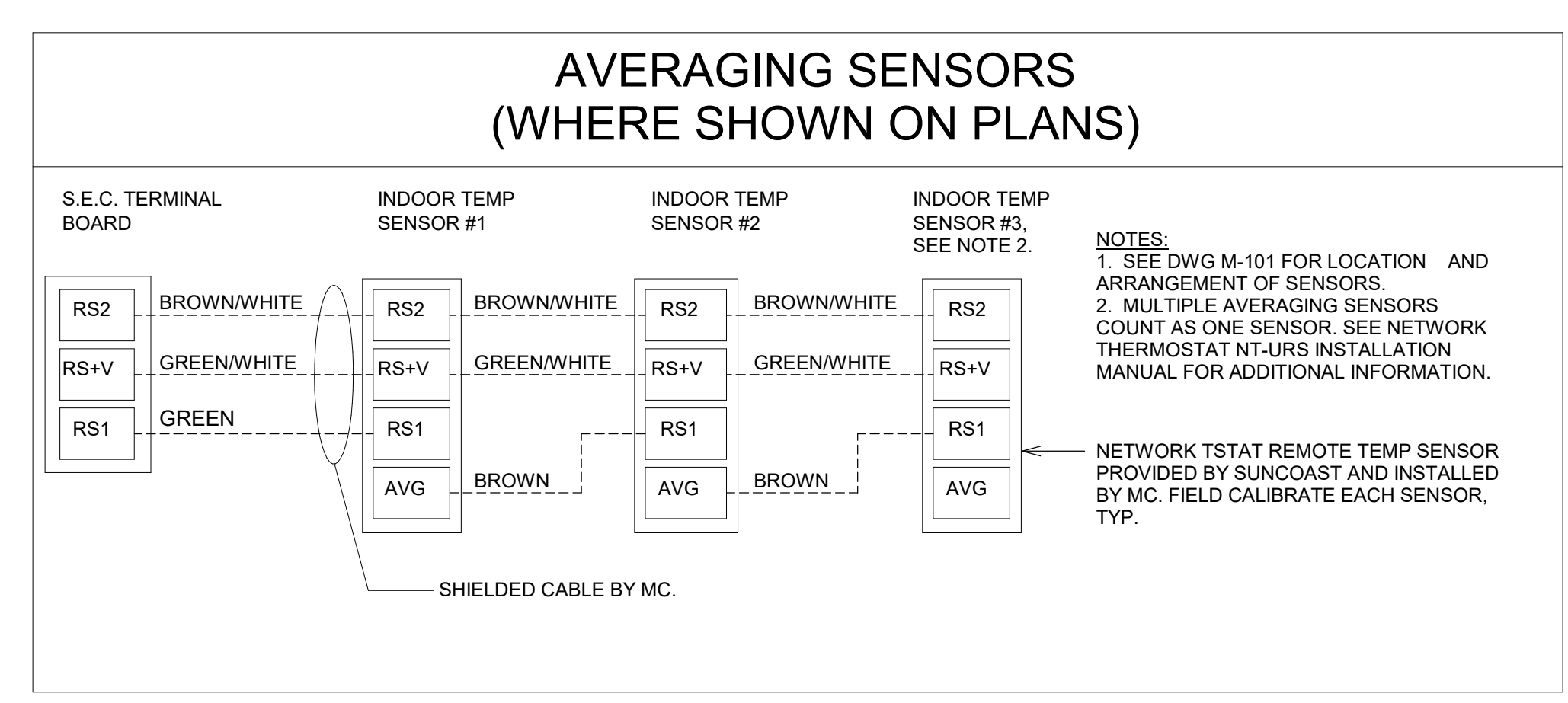
SUPPLY SIDE DETECTORS:
 IF SUPPLY SIDE SMOKE DETECTORS ARE SHOWN ON DWG M-101, AND CALLED FOR ON RTU SCHEDULE, THE CONTRACTOR IS TO RELOCATE FACTORY INSTALLED SUPPLY SMOKE DETECTOR FROM BLOWER SECTION TO DUCTWORK. SEE NOTES ON DWG M-101.

FIELD INSTALLED WIRING:
 WITHIN THE ROOFTOP UNITS, WIRING SHALL BE ROUTED BY WAY OF FACTORY WIREWAYS ONLY. WIRING ROUTED OVER THE BLOWER HOUSING OR BY WAY OF OTHER ROUTES DETRIMENTAL TO WIRING LIFE WILL NOT BE ACCEPTED.

LABELING:
 PROVIDE ENGRAVED LABEL WITH 1" HIGH WHITE LETTERS ON BLACK BACKGROUND IDENTIFYING UNIT SERVED.



1 SMOKE DETECTOR AND ANNUNCIATOR WIRING DIAGRAM - TRANE
 NOT TO SCALE

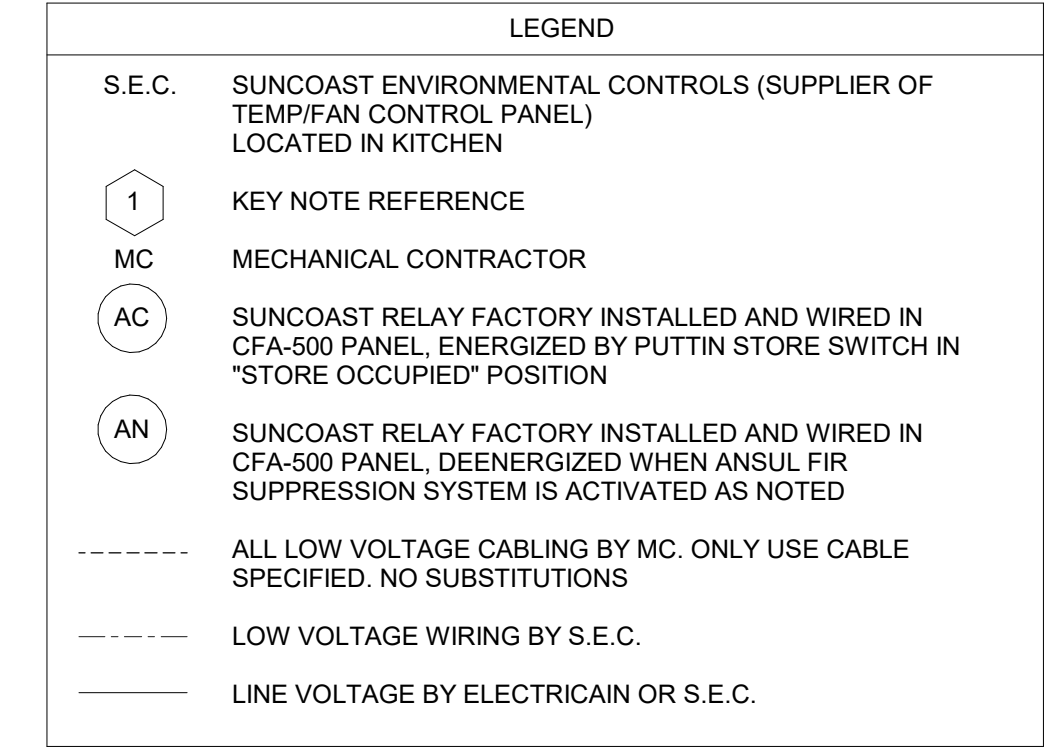


KEYED NOTES:

- LOW VOLTAGE WIRING TO RTU TO BE ROUTED TO UNIT THRU FACTORY WIREWAY.
- WIRING TO HUMIDITY SENSOR TO BE MADE WITH SINGLE 18/2 SENSOR CABLE. BELDEN 8760 OR EQUAL.
- NETWORK TSTAT REMOTE TEMP SENSOR PROVIDED BY SUNCOAST AND INSTALLED BY MC. SENSOR IS INTENDED TO BE SURFACE MOUNTED AND DOES NOT REQUIRE A SINGLE GANG BOX OR CONDUIT. FIELD CALIBRATE EACH SENSOR. SEAL CABLE PENETRATION AT ALL WALL LOCATIONS.
- FACTORY WIRING IN SUNCOAST T-500 PANEL NOT SHOWN FOR CLARITY. SEE SUNCOAST WIRING DIAGRAM FOR ADDITIONAL INFORMATION.
- SY700 INTERFACE TO SET RELATIVE HUMIDITY. SET TO 60%.
- CAT 5/5E CABLE BY M.C. NO SUBSTITUTIONS.

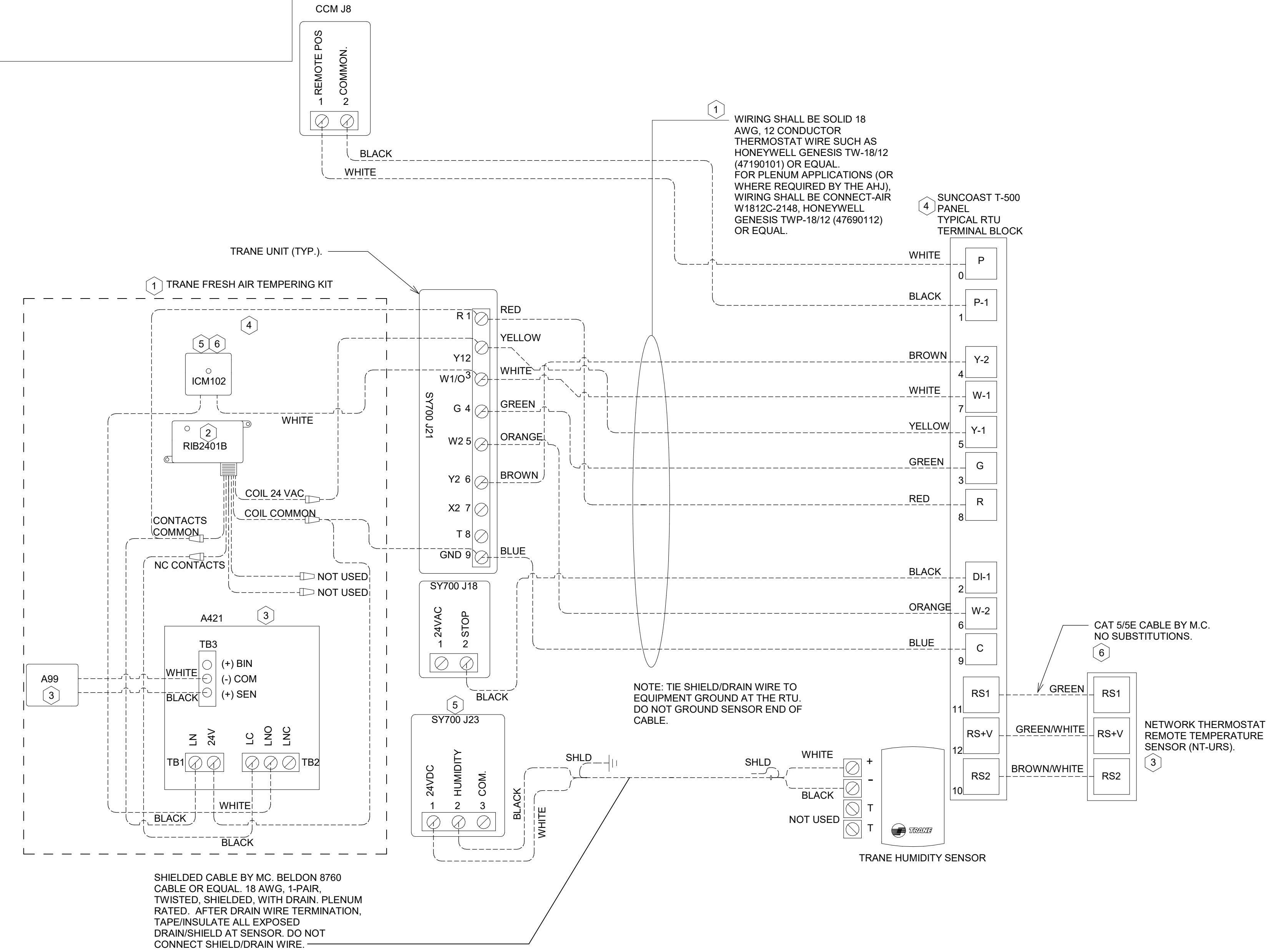
NOTES:

- PROVIDE A PROFESSIONALLY LAMINATED COPY OF THESE DETAILS TO BE INSTALLED INSIDE THE ROOFTOP UNIT CONTROL CABINET. USE A SETON CHART FRAME STYLE #8624. TELEPHONE NUMBER 800-243-8624. FOR MOUNTING THE DETAIL ATTACH THE FRAME TO THE INTERIOR OF THE UNIT IN PLAIN AND EASY VIEW OF THE CONTROLS SECTION. CONTACT ENGINEER OF RECORD FOR A REPRODUCIBLE COPY OF THE DETAIL.
- SEE DETAILS IN THIS SHEET FOR SMOKE DETECTOR AND ANNUNCIATOR WIRING.
- SET ALL THERMOSTATS TO AUTO CHANGEOVER.
- PROVIDE PLASTIC ENGRAVABLE AT ALL SENSORS WITH 1/4" HIGH WHITE LETTERING ON BLACK BACKGROUND (E.G. "AC#2 HUMIDITY SENSOR" OR "AC#2 TEMP SENSOR"). PLACE LABELS ON WALL DIRECTLY ABOVE OR BELOW THE SENSOR. DO NOT APPLY LABEL DIRECTLY TO DEVICE.



FRESH AIR TEMPERING KEYED NOTES:

- INSTALL FRESH AIR TEMPERING KIT AS RECOMMENDED BY TRANE.
- RIB2401B SPOT RELAY FURNISHED BY TRANE AND INSTALLED BY CONTRACTOR IN CONTROL CABINET OF TRANE UNIT.
- JCI A421 TEMPERATURE CONTROLLER FURNISHED BY TRANE AND INSTALLED BY CONTRACTOR IN RTU CONTROL CABINET. CONTRACTOR SHALL INSTALL TRANE FURNISHED JCI A99 SENSOR IN THE SUPPLY DUCT DOWNSTREAM OF FIRST ELBOW. SECURE WIRING TO DUCT WITH T66001-1 SENSOR DUCT MOUNTING PLATE FURNISHED BY TRANE. DO NOT RUN WIRING INSIDE DUCTWORK. SET A421 CONTROLLER PARAMETERS TO THE FOLLOWING:
 • RELAY ON TEMPERATURE: 58°F
 • RELAY OFF TEMPERATURE: 80°F
- 18 AWG MIN. LOW VOLTAGE WIRING BY MC.
- ICM102 TIME DELAY RELAY FURNISHED BY TRANE AND INSTALLED BY CONTRACTOR IN CONTROL CABINET OF ROOFTOP UNIT.
- SET TIME DELAY RELAY (ICM102) TO 2 MINUTES.



2 ROOFTOP UNIT CONTROL WIRING - TRANE
 NOT TO SCALE

Autodesk Docs://OH_05912_I-75 & Trenton Avenue_2024_T_FSR05912_I-75 & Trenton Avenue_MEC.rvt
 5/29/2025 2:32:38 PM
 30-LE-05912-M-701T-CONTROL WIRING DIAGRAMS - TRANE

4

3

2

1

E

E

D

D

C

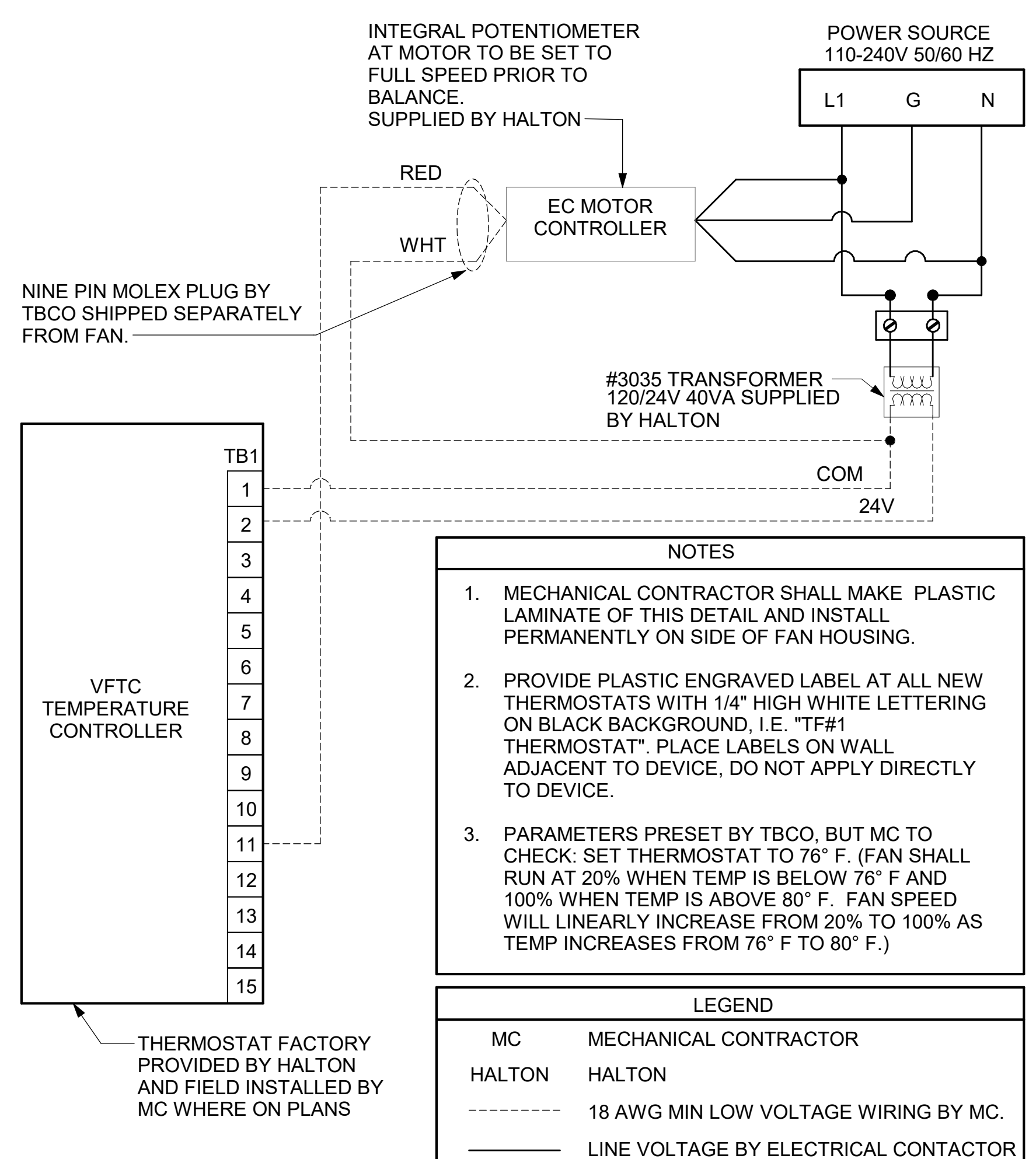
C

B

B

A

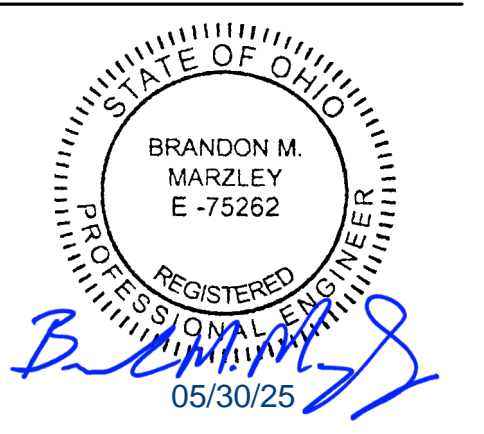
A



1 TECH CLOSET CONTROL DIAGRAM
NOT TO SCALE



Chick-fil-A
5200 Buffington Road
Atlanta, Georgia
30349-2998



CHICK-FIL-A
FLAG CITY
1165 W TRENTON AVE
FINDLAY, OH 45840

FSR#05912
BUILDING TYPE / SIZE: P14 LE BN
RELEASE: 24.08
PRINTED FOR:
ISSUED FOR CONSTRUCTION

NO.	DATE	DESCRIPTION

CONSULTANT PROJECT # 2024223.31
DATE 05/30/25
DRAWN BY JDF

Information contained on this drawing and in all digital files produced for above named project may not be reproduced in any manner without express written or verbal consent from authorized project representatives.

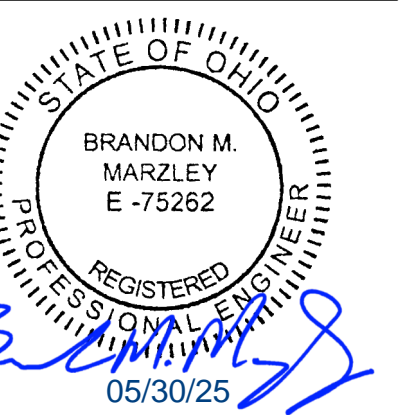
SHEET CONTROL WIRING DIAGRAMS
SHEET NUMBER **M-702**



Chick-fil-A
5200 Buffington Road
Atlanta, Georgia
30349-2998



GPD GROUP
Glenn, Paul, Schmitt, Burns & DeHaven, Inc.
3325 South Main Street, Suite 2011
Akron, OH 44311
330.572.2100 Fax: 330.572.1101
Copyright (Glenn, Paul, Schmitt, Burns & DeHaven, Inc. 2024)



CHICK-FIL-A
FLAG CITY
1165 W TRENTON AVE
FINDLAY, OH 45840

FSR#05912

BUILDING TYPE / SIZE: P14 LE BN
RELEASE: 24.08
PRINTED FOR:
ISSUED FOR CONSTRUCTION
REVISION SCHEDULE

NO.	DATE	DESCRIPTION

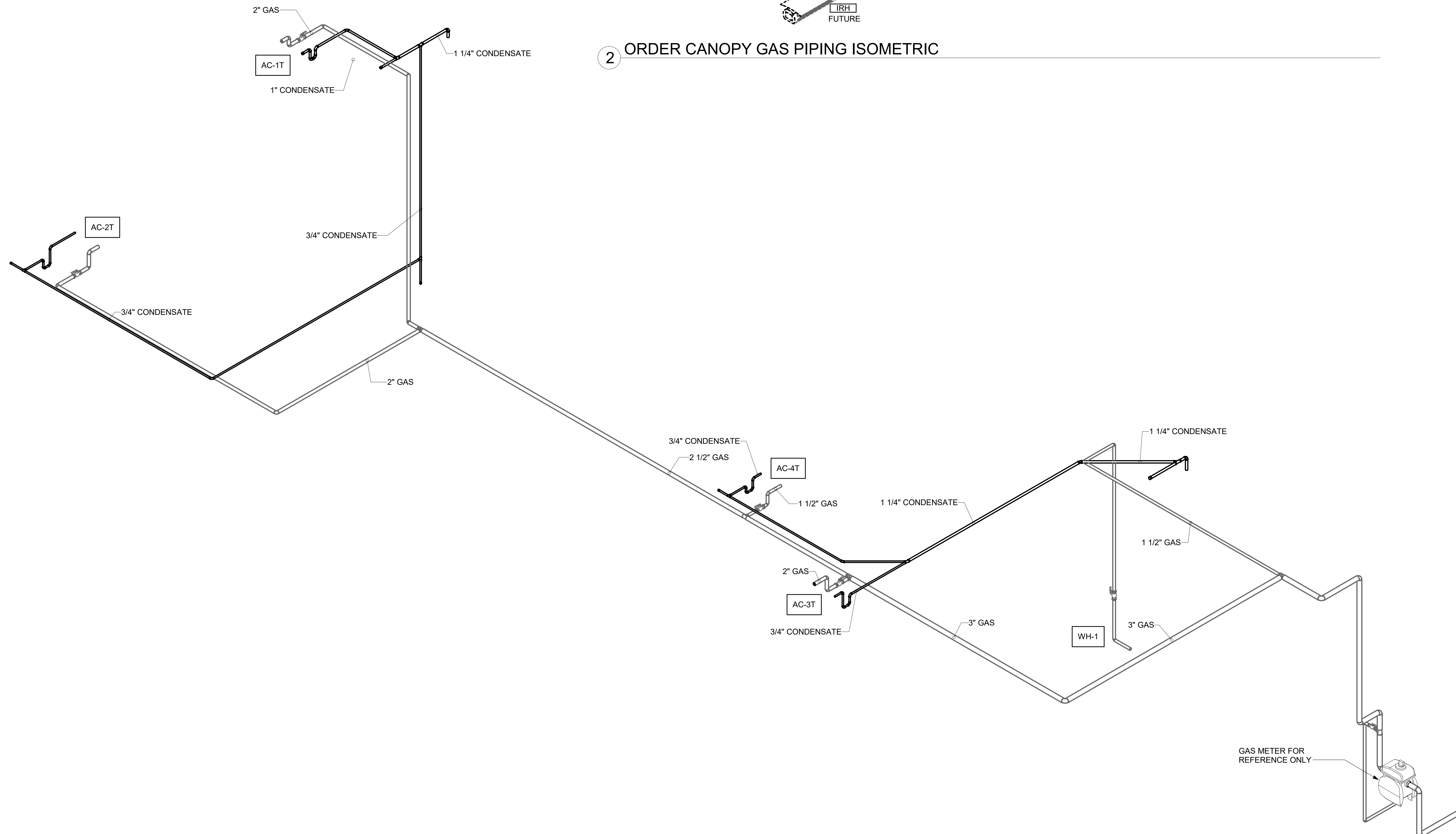
CONSULTANT PROJECT # 2024223.31
DATE 05/30/25
DRAWN BY JDF

Information contained on this drawing and in all digital files produced for above named project may not be reproduced in any manner without express written or verbal consent from authorized project representatives.

SHEET
GAS AND CONDENSATE ISOMETRIC - TRANE

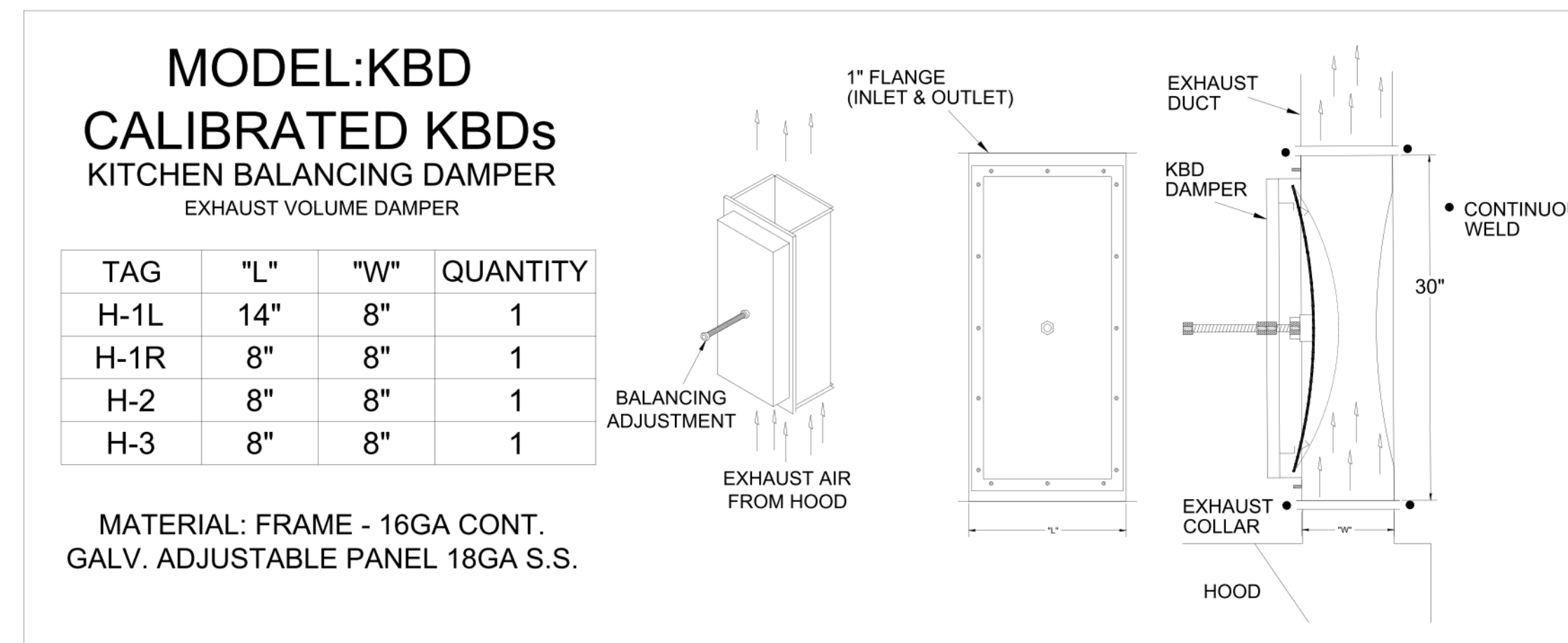
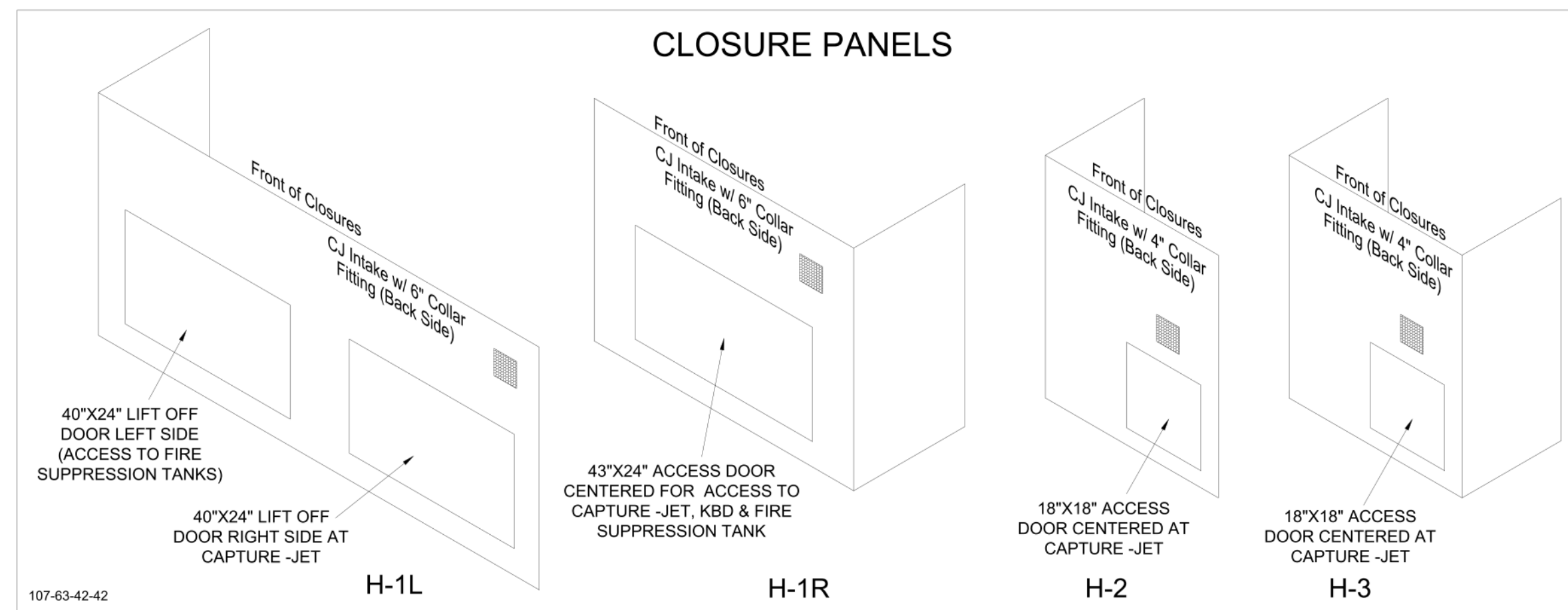
SHEET NUMBER
M-901T

2 ORDER CANOPY GAS PIPING ISOMETRIC



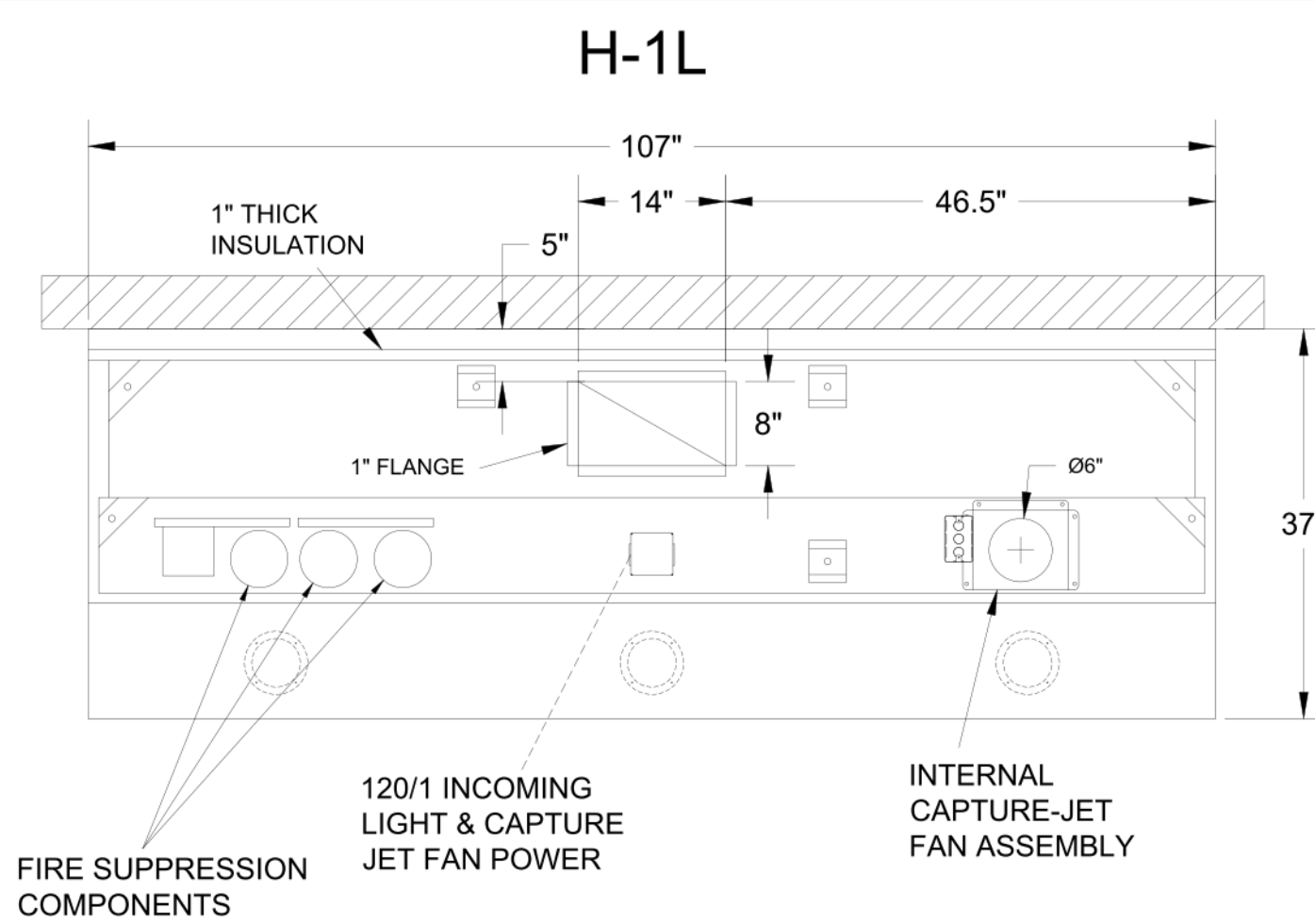
1 GAS AND CONDENSATE ISOMETRIC - TRANE

HOOD MODEL	HOOD NUMBER	EXHAUST COLLAR			EXHAUST AIR INFORMATION			CAPTURE AIR INFORMATION		S.S. KSA FILTERS		LED LIGHTS	QTY	CEILING CLOSURES		KBD DAMPER	K FACTOR (CFM = K FACTOR * √DP)	MATERIAL	
		QTY	LENGTH	WIDTH	CFM	TAB	SP	CFM	SP	FULL	HALF			CLOSURE HEIGHT	CEILING HEIGHT				HOOD WEIGHT
KVL-2-IC	H-1L	1	14"	8"	1204	0.13"	0.22"	80	0.30"	5	-	3	2	51"	122"	669 LBS	*	3369	ALL 18 GA 430 S.S.
KVL-2-IC	H-1R	1	8"	8"	709	0.13"	0.23"	47	0.30"	3	-	2	2			394 LBS	*	1971	
KVL-C-IC	H-2	1	8"	8"	701	0.30"	0.39"	30	0.29"	2	-	1	2			245 LBS	*	1291	
KVL-C-IC	H-3	1	8"	8"	701	0.30"	0.39"	30	0.29"	2	-	1	3			245 LBS	*	1291	

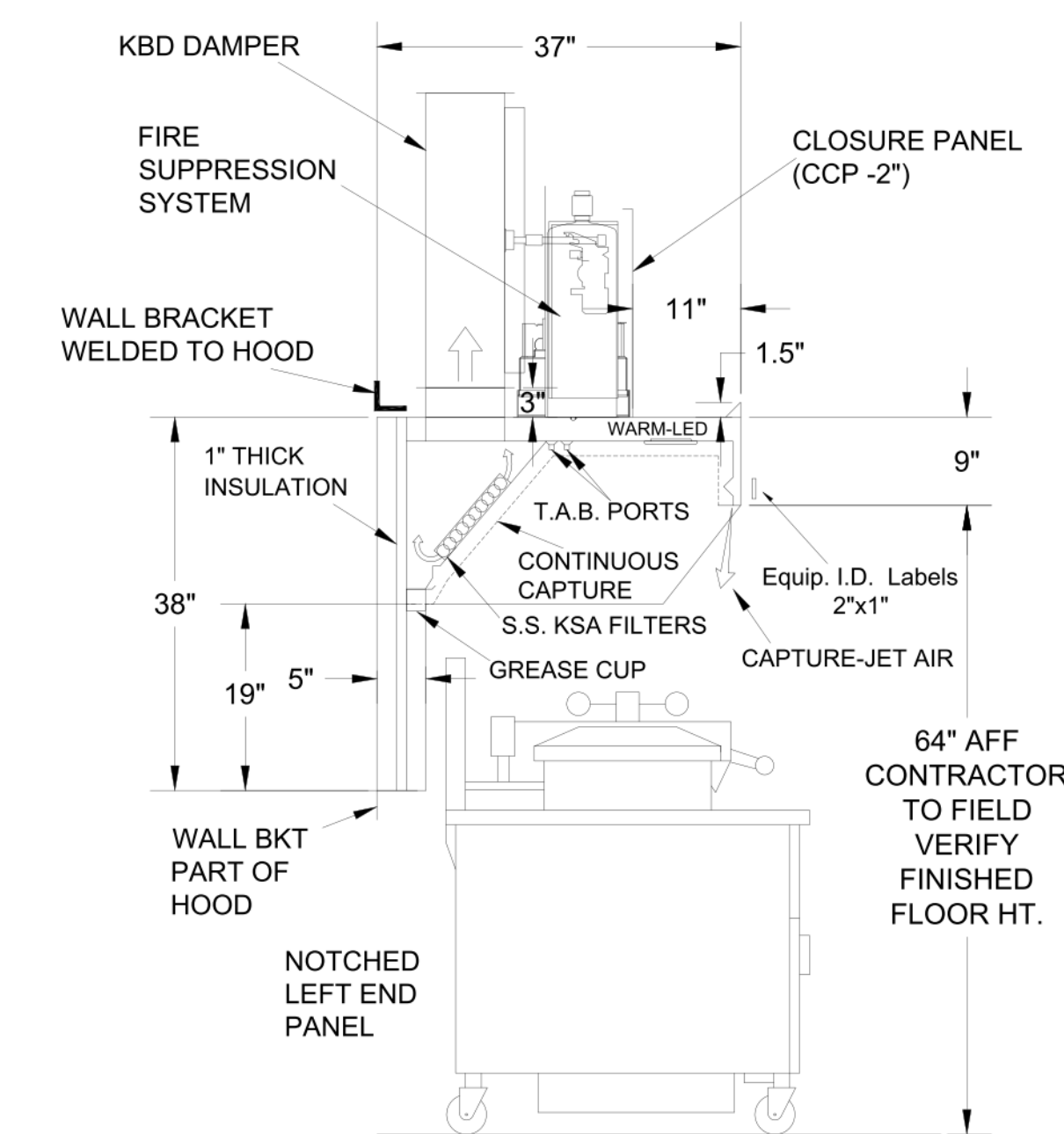


TAG	"L"	"W"	QUANTITY
H-1L	14"	8"	1
H-1R	8"	8"	1
H-2	8"	8"	1
H-3	8"	8"	1

MATERIAL: FRAME - 16GA CONT.
GALV. ADJUSTABLE PANEL 18GA S.S.

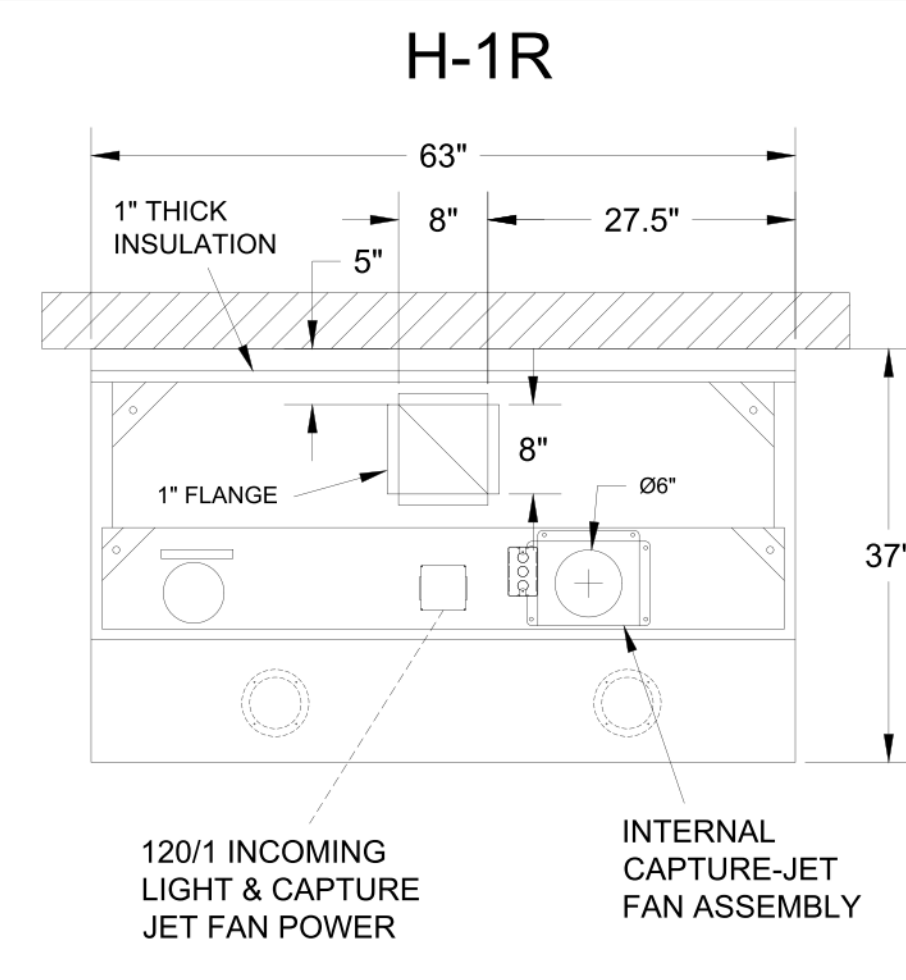


PLAN VIEW

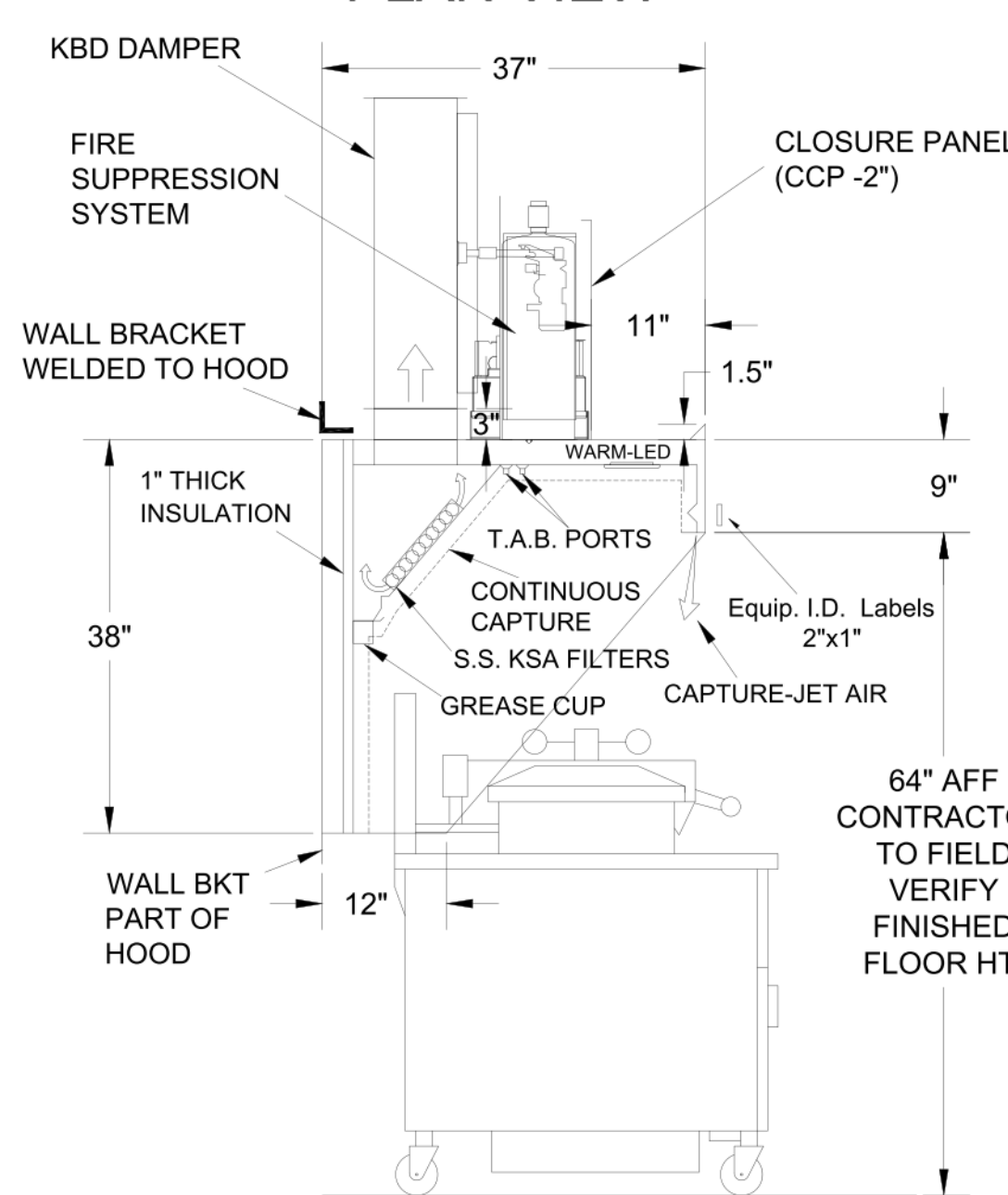


H-1L SECTION VIEW

- CEILING CLOSURE RECESSED 11" FROM FRONT TO CREATE SHELF
- FRONT CLOSURE PANEL WITH 40"x24" LIFT OUT DOOR LEFT SIDE (ACCESS TO FIRE SUPPRESSION)
- 40"x24" LIFT DOOR RIGHT SIDE AT CAPTURE-JET WITH FRONT CJ INTAKE
- CONTINUOUS CAPTURE INTERNAL RIGHT END CUTOUT
- 3" REAR STAND-OFF TO HAVE 1" THICK INSULATION
- NOTCHED LEFT END PANEL
- GREASE CUP RIGHT END
- ANSUL WEIGHT = 328 LBS
- AMEREX WEIGHT = 264 LBS

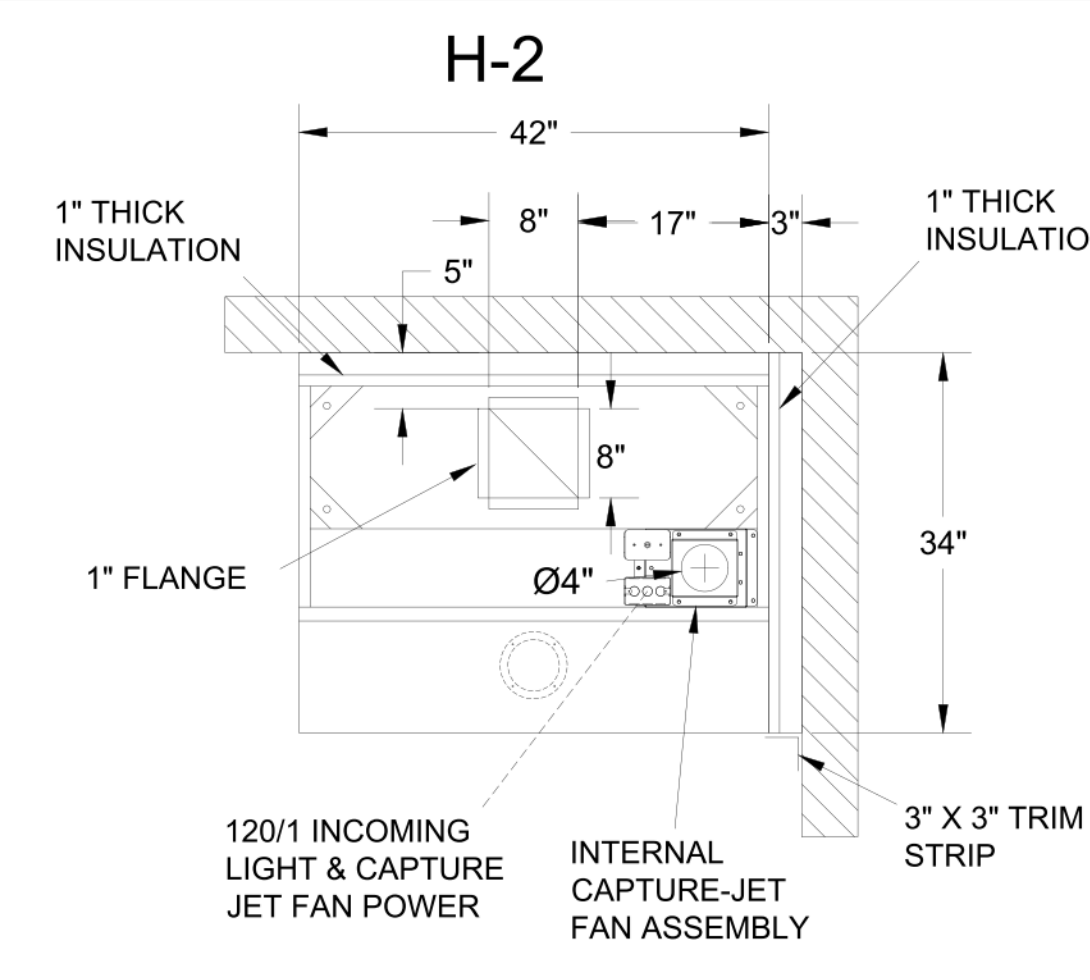
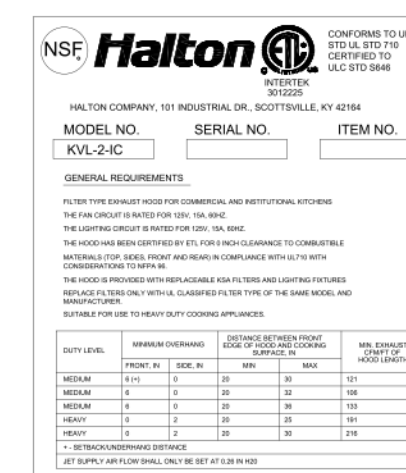


PLAN VIEW

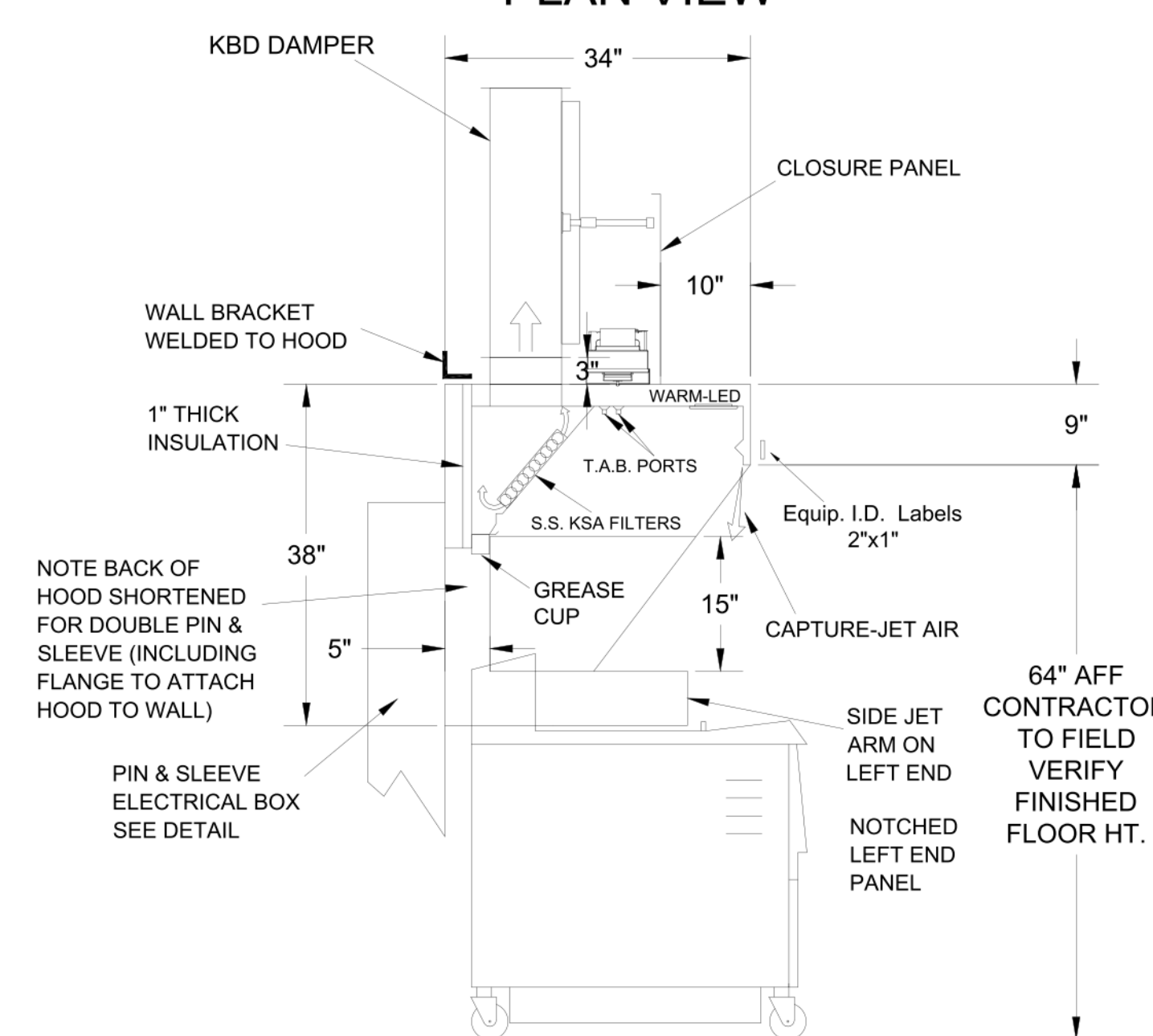


H-1R SECTION VIEW

- CEILING CLOSURE RECESSED 11" FROM FRONT TO CREATE SHELF
- FRONT CLOSURE PANEL WITH 43"x24" ACCESS DOOR FOR ACCESS TO CAPTURE-JET AND FIRE SUPPRESSION
- CONTINUOUS CAPTURE INTERNAL LEFT END CUTOUT
- 3" REAR STAND-OFF TO HAVE 1" THICK INSULATION
- GREASE CUP RIGHT END

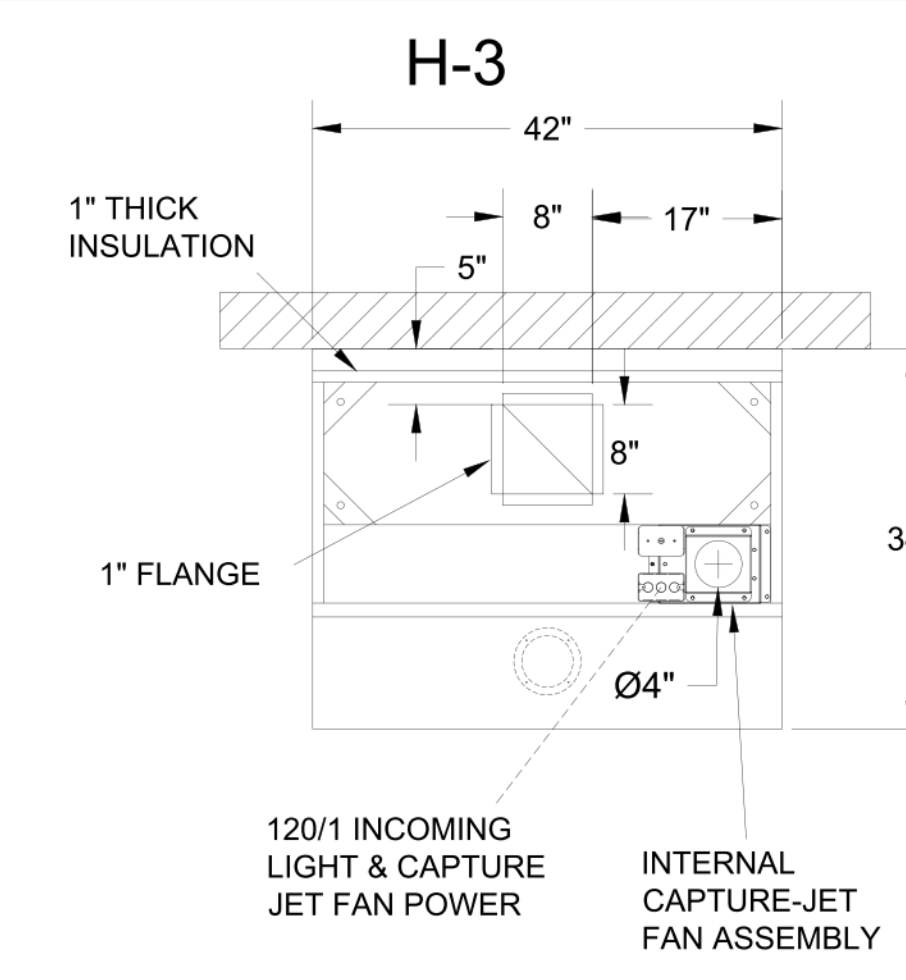


PLAN VIEW

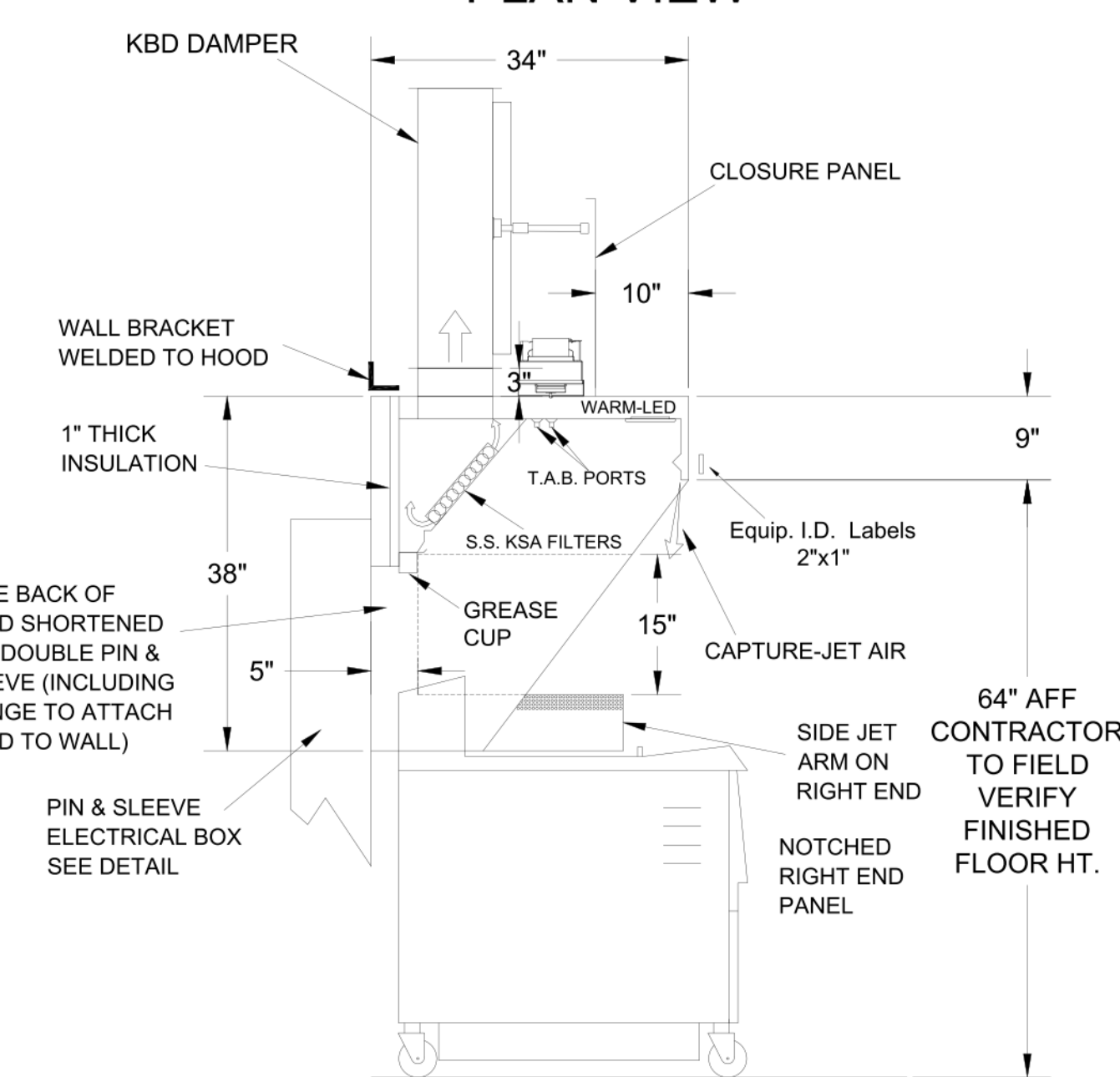


H-2 SECTION VIEW

- CEILING CLOSURE RECESSED 10" FROM FRONT TO CREATE SHELF
- 18"x18" ACCESS DOOR CENTERED AT CAPTURE-JET WITH FRONT CJ INTAKE
- NOTCHED LEFT END PANEL
- DOUBLE RECEPTACLE PIN & SLEEVE
- 3"x3" TRIM STRIP FOR STANDOFF ON RIGHT END
- 3" SIDE & REAR STAND-OFF TO HAVE 1" THICK INSULATION
- GREASE CUP RIGHT END



PLAN VIEW



H-3 SECTION VIEW

- CEILING CLOSURE RECESSED 10" FROM FRONT TO CREATE SHELF
- 18"x18" ACCESS DOOR CENTERED AT CAPTURE-JET WITH FRONT CJ INTAKE
- NOTCHED RIGHT END PANEL
- DOUBLE RECEPTACLE PIN & SLEEVE
- 3" REAR STAND-OFF TO HAVE 1" THICK INSULATION
- GREASE CUP RIGHT END



WEBSITE: www.halton.com

HALTON CO. (USA)
101 INDUSTRIAL DRIVE
SCOTTSDALE, KY 42164
1-270-237-5600

HALTON CO. (CANADA)
1021 BREVIK PLACE
MISSISSAUGA, ON L4W 3R7
1-905-624-0301

REV.	DATE	BY	DATE	REVISION DESCRIPTION
1	06.27.23	SKK	06.27.23	CREATED HOOD BLOCKS
2	08.28.23	SKK	08.28.23	SHEET LAYOUT
3	02.02.24	SKK	02.02.24	NO CHANGE
4	05.16.24	SKK	05.16.24	ADDED GREASE CUPS
5	07.26.24	SKK	07.26.24	ADDED 1.5 GAL TANK TO ANSUL SYSTEM

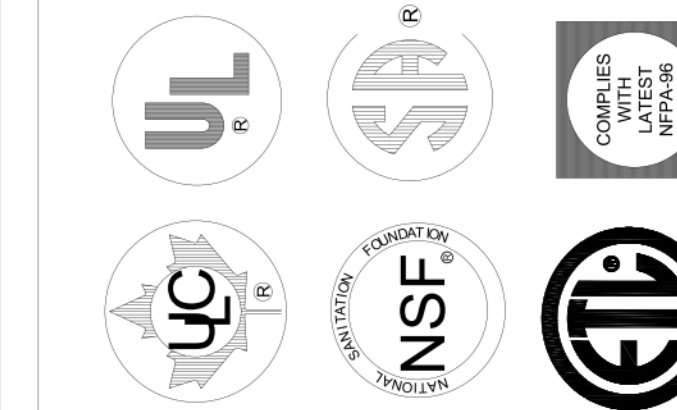
PROJECT: CHICK-FIL-A P14
NAME

LOCATION: --
DRAWN BY: SKK
SCALE: NOT TO SCALE
DATE: 05.23.24

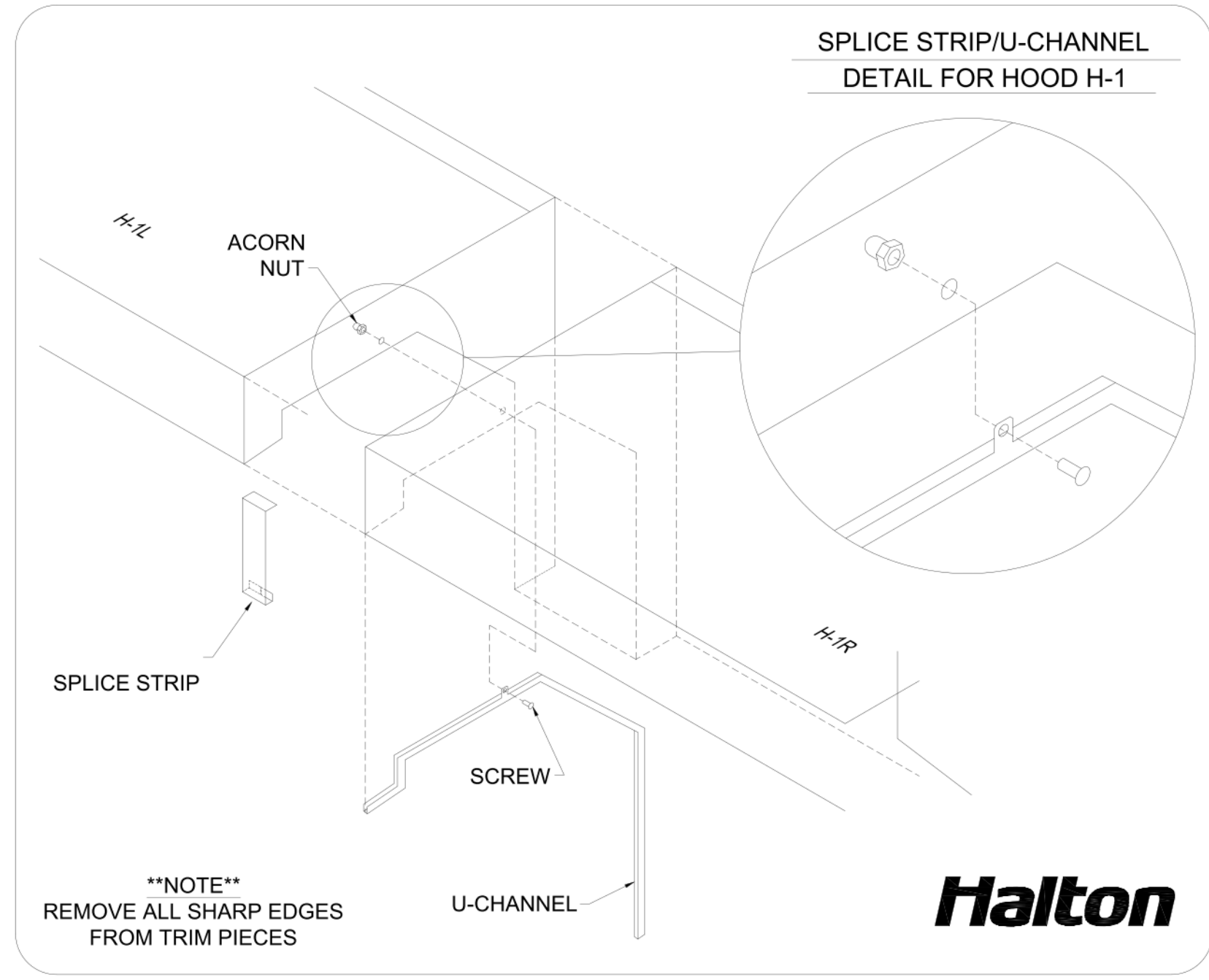
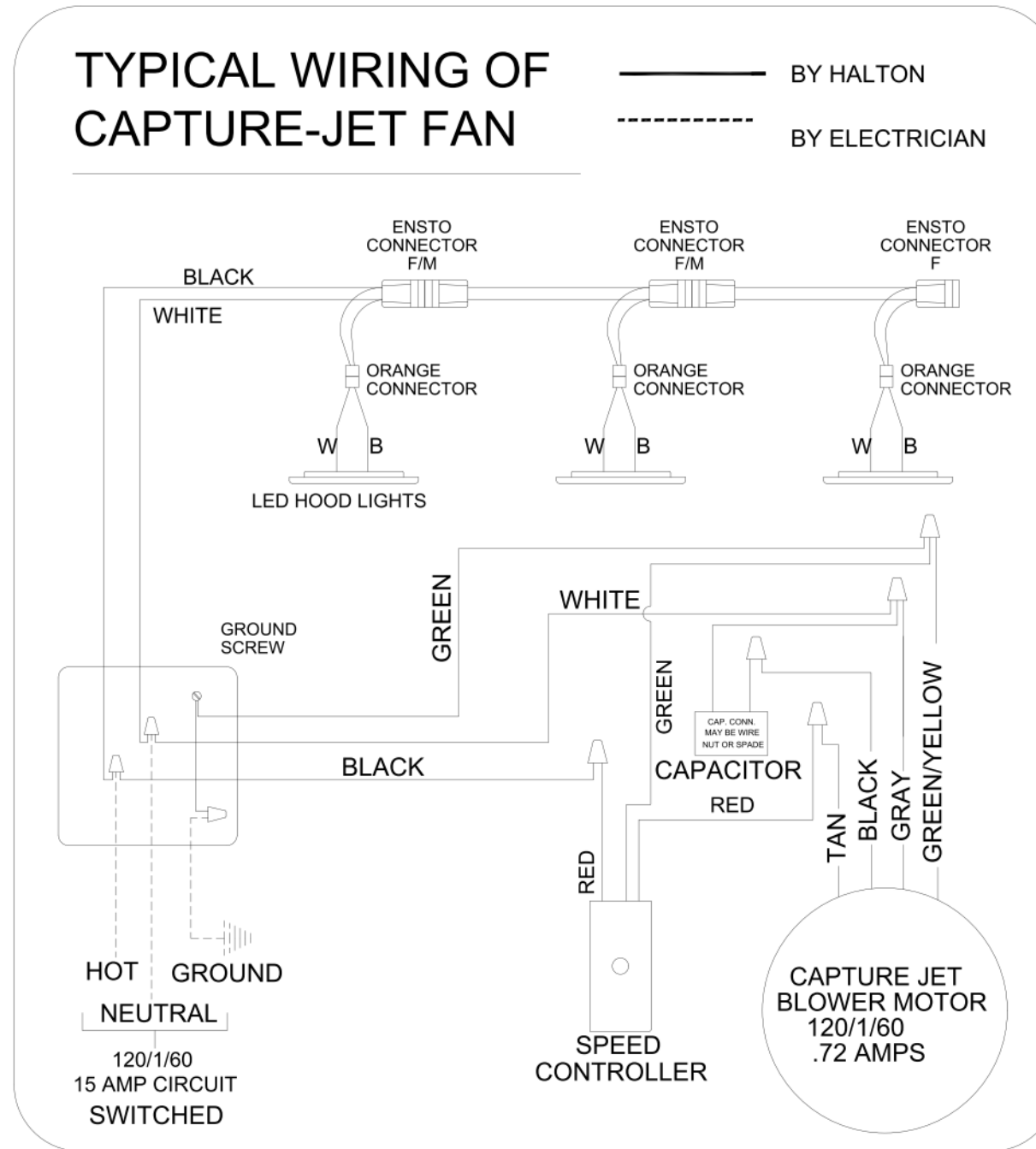
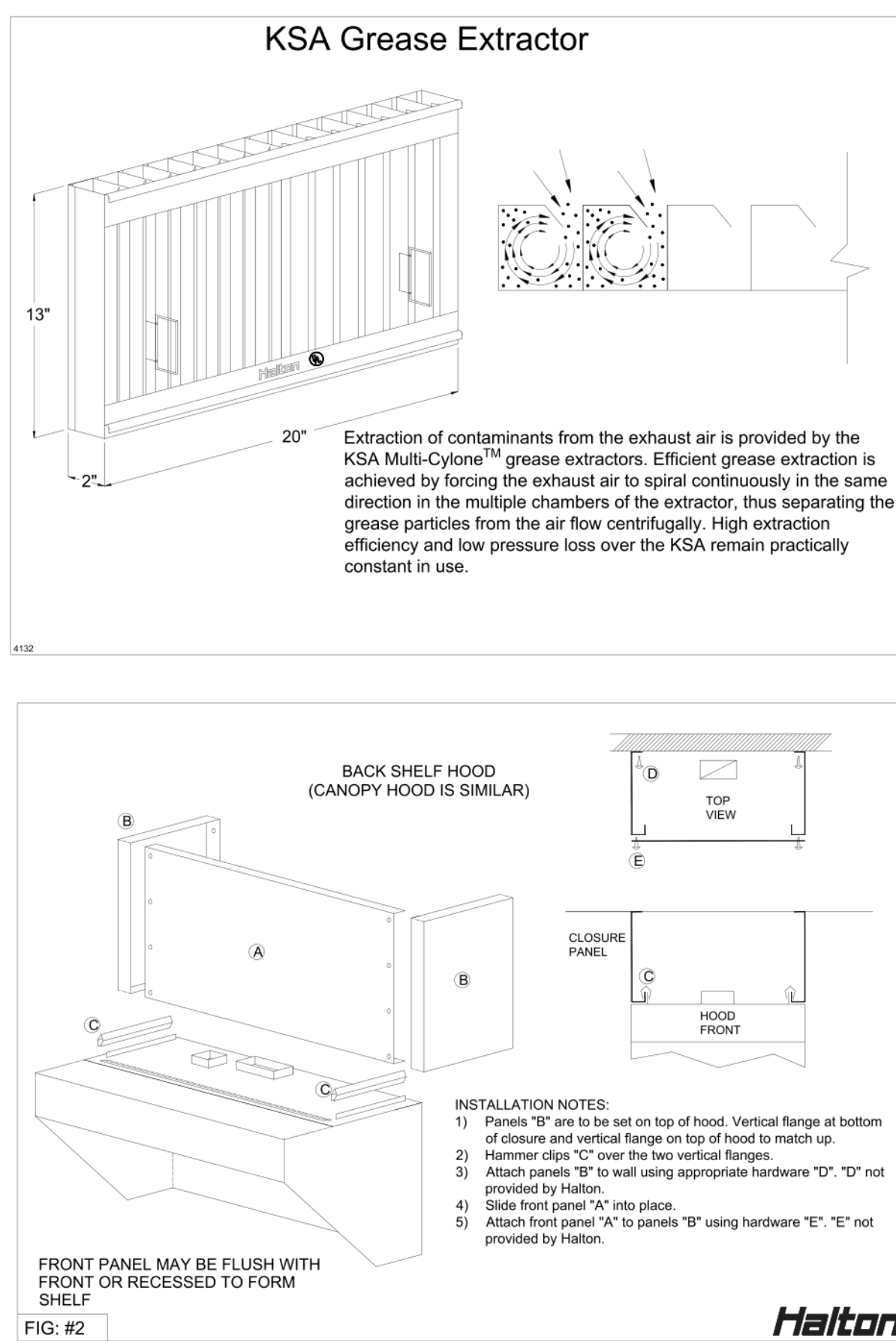
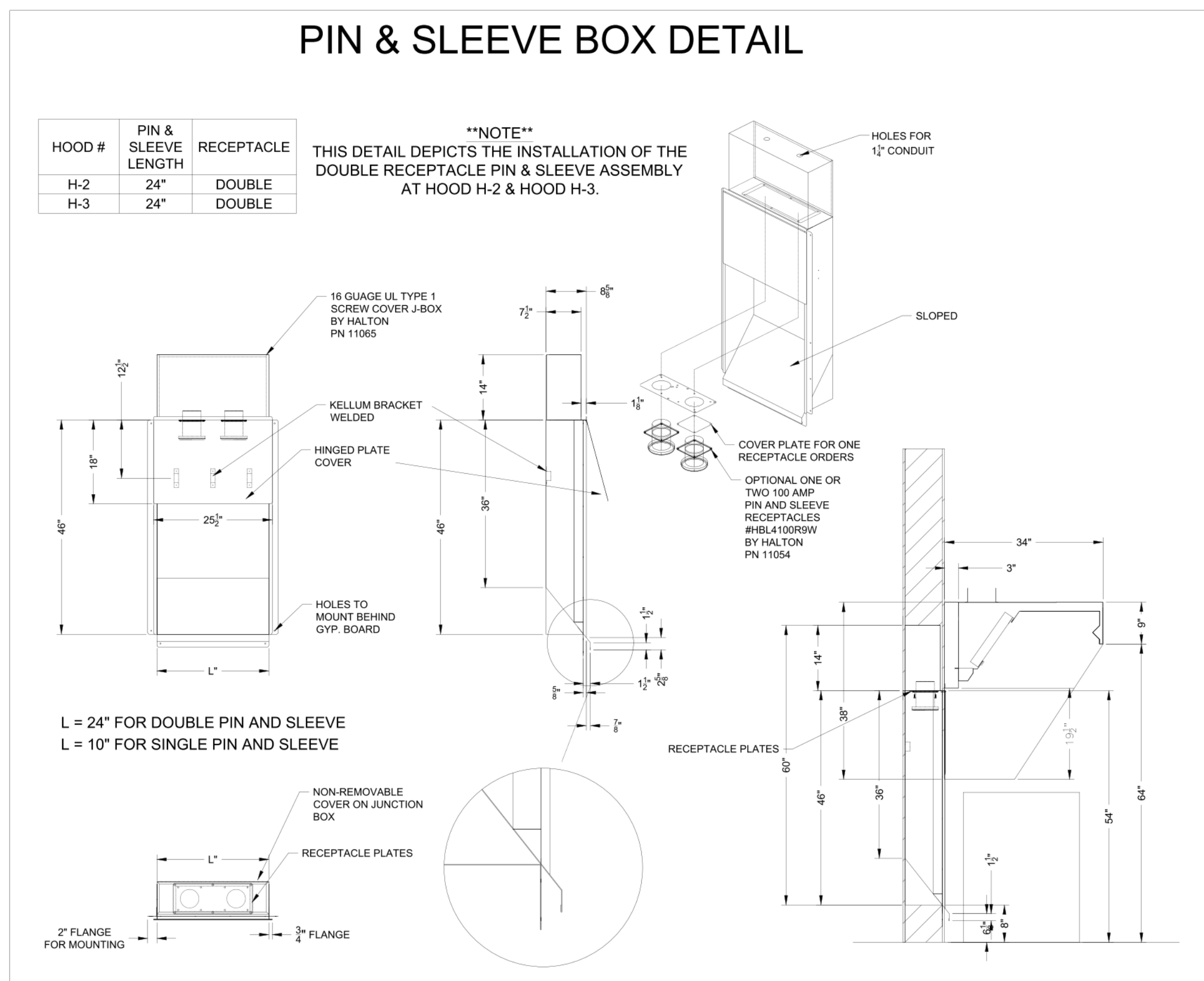
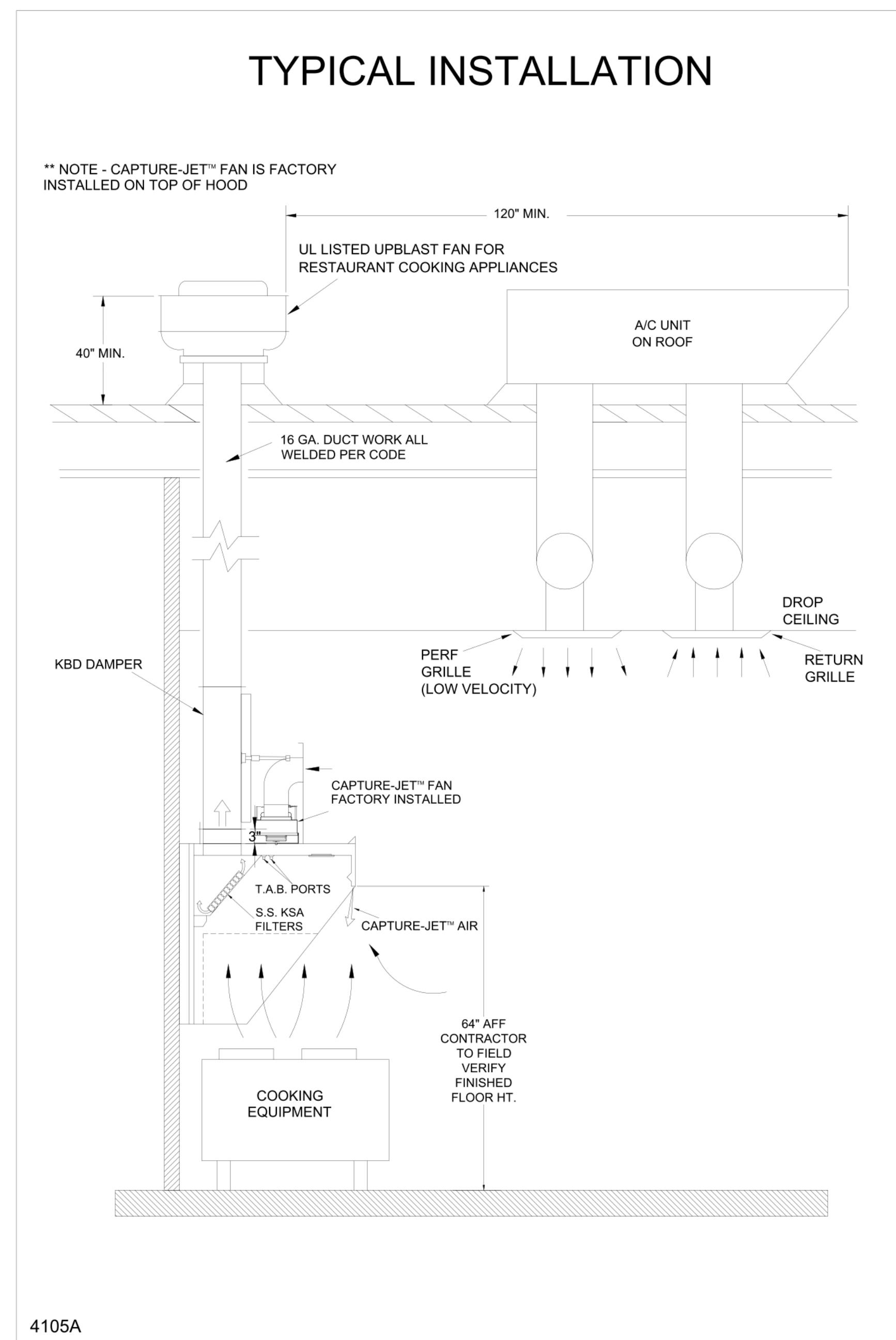
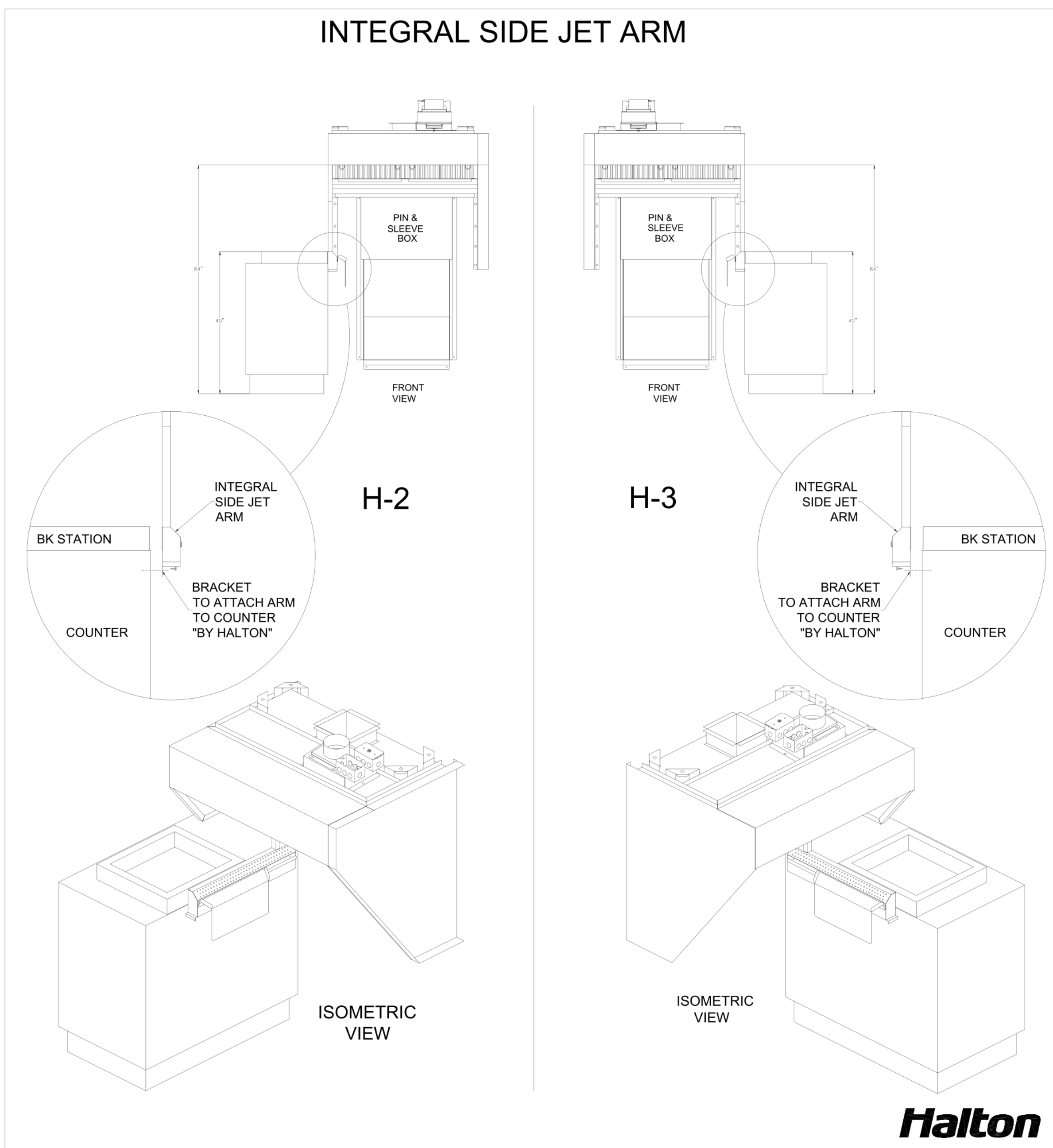
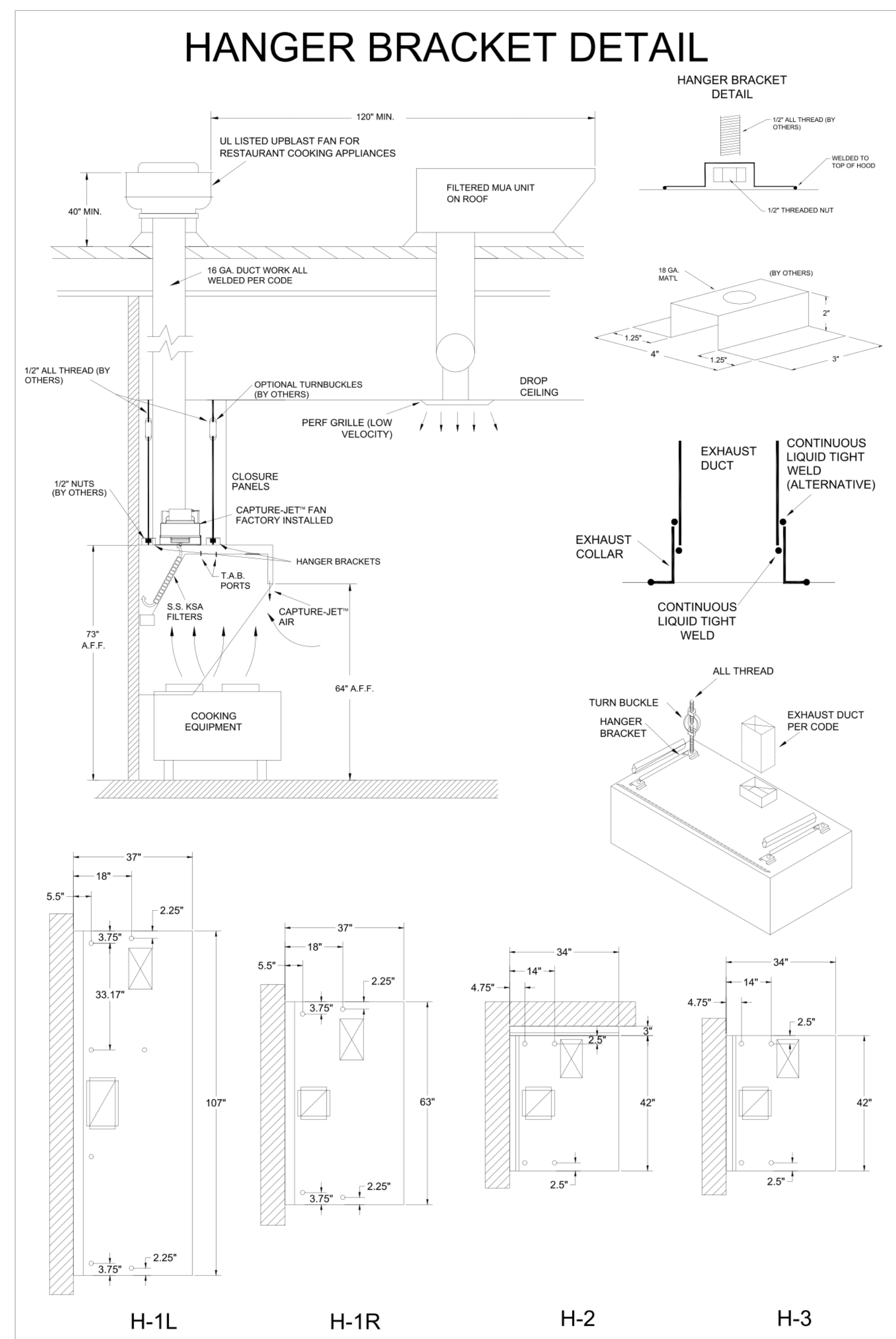
DRAWING NO.: U22-606-01

SHEET NO.: H-1.1

Halton



THIS DRAWING MUST BE CHECKED, SIGNED AND RETURNED TO THE APPROPRIATE FACTORY. PLEASE VERIFY THE FOLLOWING:
1. ALL DIMENSIONAL INFORMATION, MOUNTING POSITIONS AND CLEARANCES.
2. THE LOCATION AND TYPE OF COOKING EQUIPMENT.
NOTE TO APPROVER: ANY CHANGES IN COOKING EQUIPMENT SUCH AS INCREASED ENERGY INPUTS OR EQUIPMENT POSITION MAY AFFECT EXHAUST AIRFLOW. HALTON MUST BE NOTIFIED IF ANY OF THESE CHANGES OCCUR. A RECALCULATION EXHAUST AIRFLOW MAY BE REQUIRED.
APPROVED FOR FABRICATION: [] WITH NO CHANGES [] WITH CHANGES AS NOTED
APPROVED BY: [] DATE: []



NSF Halton CONFORMS TO UL STD UL STD 710 CERTIFIED TO ULC STD 5846

INTERTEK 3012205

HALTON COMPANY, 101 INDUSTRIAL DR., SCOTTSVILLE, KY 42164

MODEL NO. KVL-C-IC SERIAL NO. ITEM NO.

GENERAL REQUIREMENTS

HALTON HOODS
- ETL LISTED PER LATEST 710 STANDARD
- BUILT PER NFPA 96
- NSF LISTED

NSF Halton CONFORMS TO UL STD UL STD 710 CERTIFIED TO ULC STD 5846

INTERTEK 3012205

HALTON COMPANY, 101 INDUSTRIAL DR., SCOTTSVILLE, KY 42164

MODEL NO. KVL-2-IC SERIAL NO. ITEM NO.

GENERAL REQUIREMENTS

HALTON HOODS
- ETL LISTED PER LATEST 710 STANDARD
- BUILT PER NFPA 96
- NSF LISTED

THIS DRAWING MUST BE CHECKED, SIGNED AND RETURNED TO THE APPROPRIATE FACTORY. PLEASE VERIFY THE FOLLOWING:

- ALL DIMENSIONAL INFORMATION, MOUNTING POSITIONS AND CLEARANCES.
- THE LOCATION AND TYPE OF COOKING EQUIPMENT.

NOTE TO APPROVER
ANY CHANGES IN COOKING EQUIPMENT SUCH AS INCREASED ENERGY INPUTS OR EQUIPMENT POSITION MAY AFFECT EXHAUST AIRFLOW. HALTON MUST BE NOTIFIED IF ANY OF THESE CHANGES OCCUR. A RECALCULATION EXHAUST AIRFLOW MAY BE REQUIRED.

APPROVED FOR FABRICATION WITH NO CHANGES WITH CHANGES AS NOTED

APPROVED BY _____ DATE _____

WEBSITE: www.halton.com

HALTON CO. (USA)
101 INDUSTRIAL DRIVE
SCOTTSVILLE, KY 42164
1-270-237-5600

HALTON CO. (CANADA)
1021 BREVIK PLACE
MISSISSAUGA, ON L4W 3R7
1-905-624-0301

MAIL APPROVED DRAWINGS TO APPROPRIATE FACTORY BELOW:

REV.	DATE	BY	REVISION DESCRIPTION
1	08.28.23	SKK	ADDED THIS SHEET
2	02.02.24	SKK	NO CHANGE
3	05.16.24	SKK	NO CHANGE
4	07.26.24	SKK	NO CHANGE
5			
6			
7			

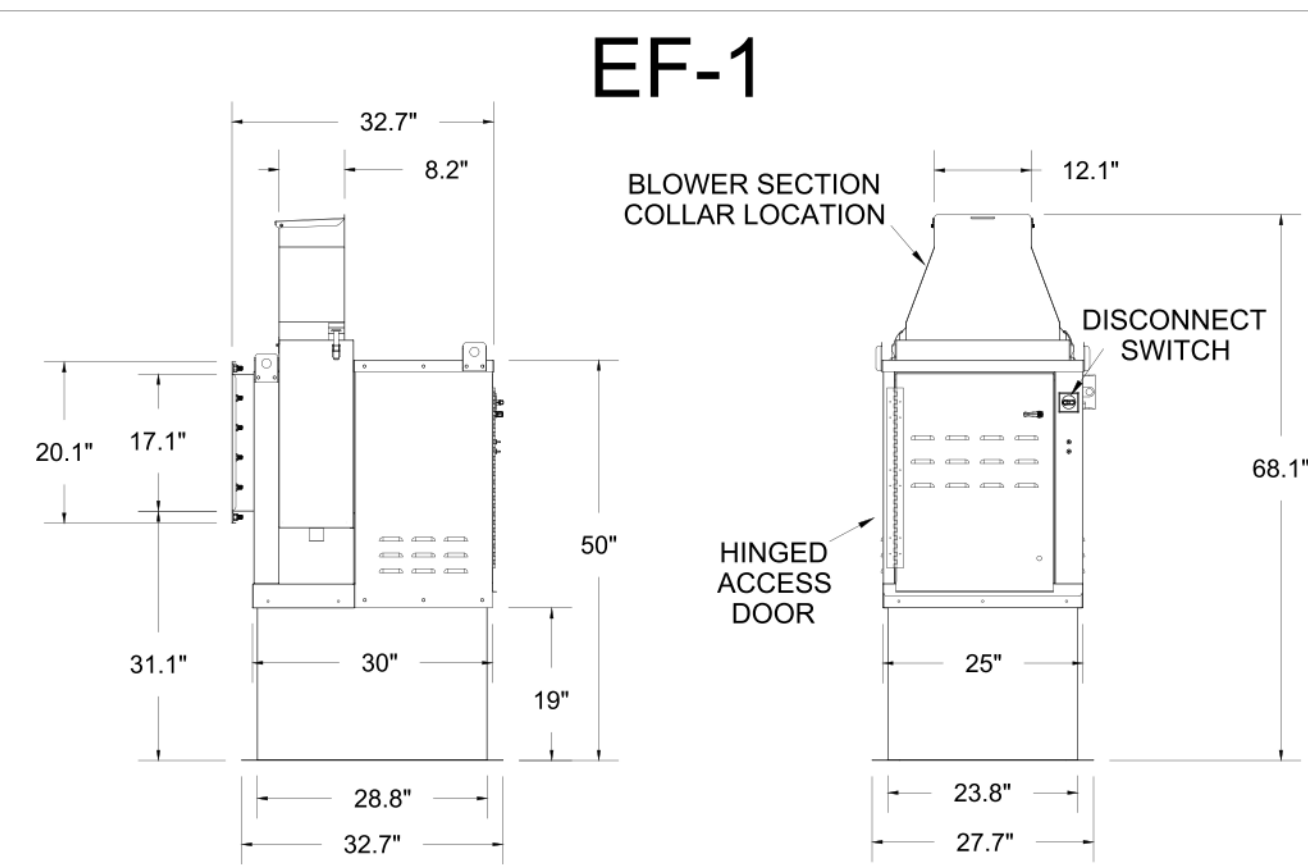
PROJECT: CHICK-FIL-A P14 NAME

LOCATION: SKK DATE: 05.23.24

DRAWN BY: SKK SCALE: NOT TO SCALE

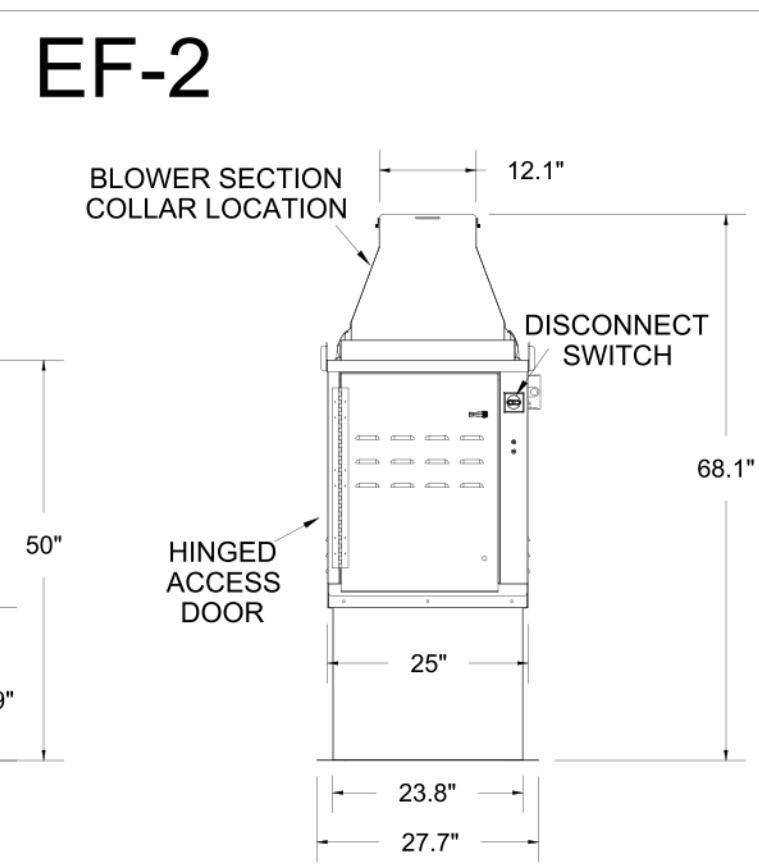
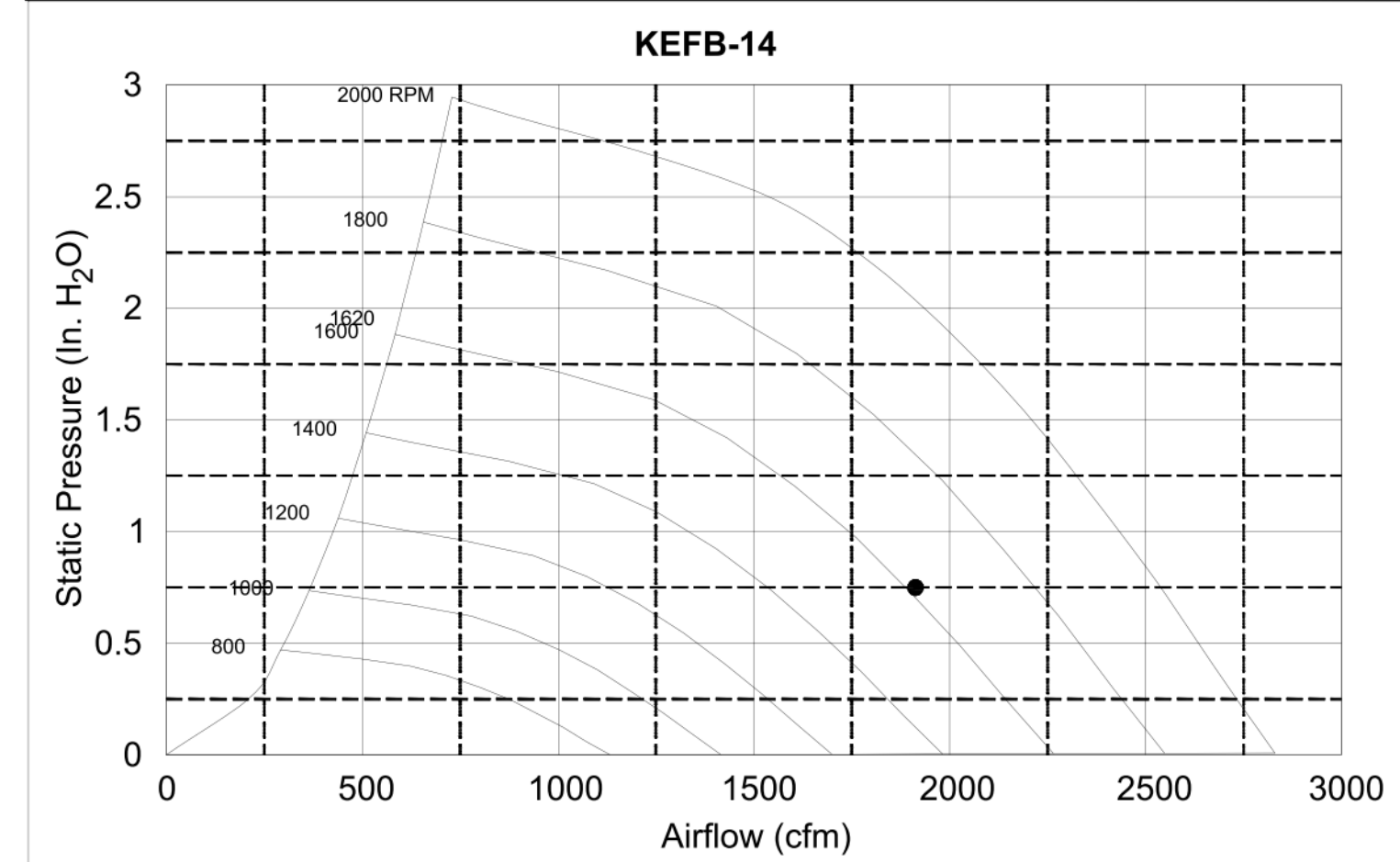
DRAWING NO.: U22-606-02

SHEET NO.: H-1.2



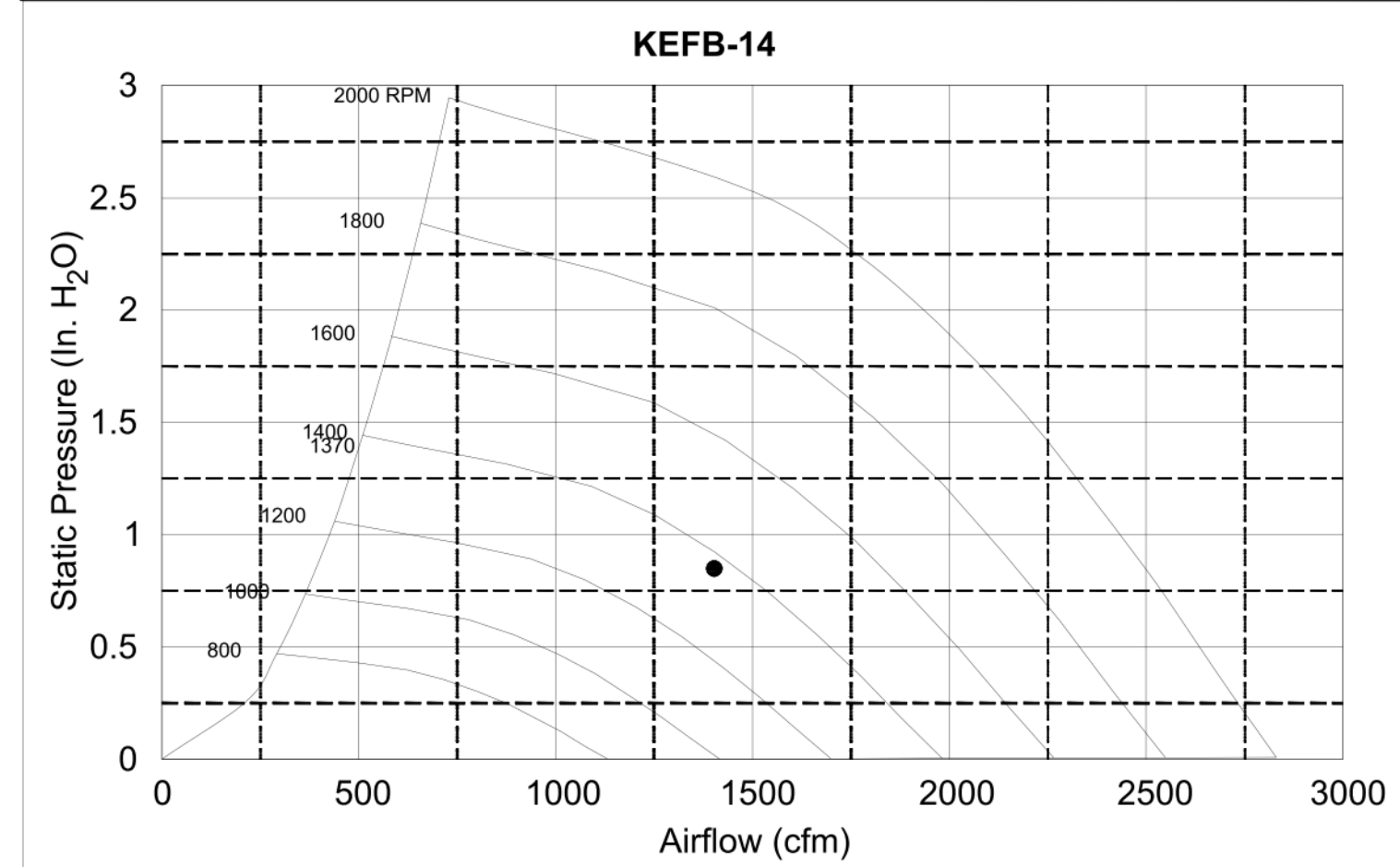
Halton KEFB Exhaust Fan

Job Name	Chick-fil-A	Item No	Qty	Fan RPM	Volts/Ph/Amps
Location	EF-1	KEFB-14	1,620	115/1/60	
Date	1/26/2023		Fan BHP	0.55	Motor HP
Model			0.75	0.75	
Airflow, cfm			dB	85.3	TAB Port, in WC
Static Pressure, in WC				4.8	



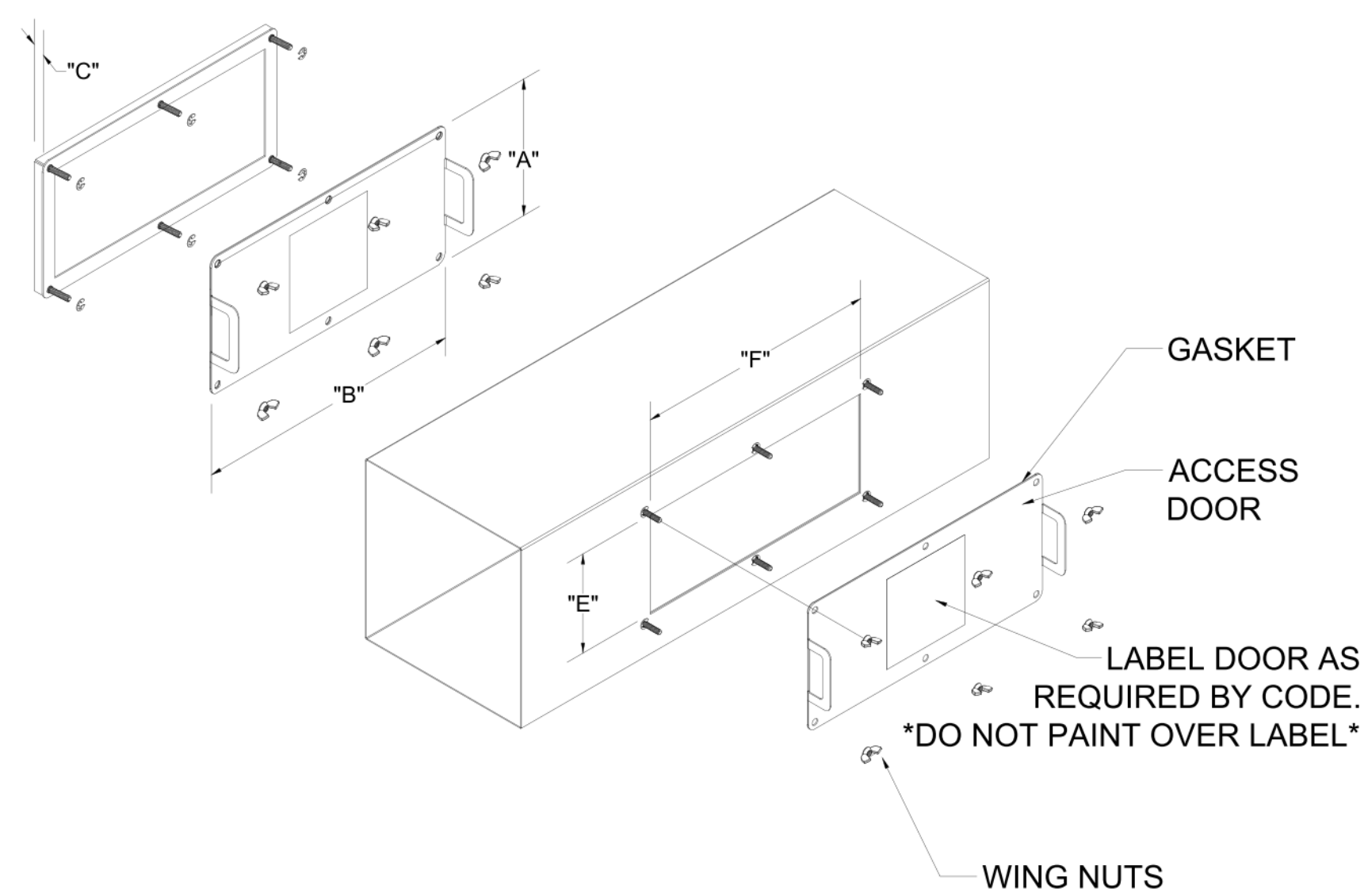
Halton KEFB Exhaust Fan

Job Name	Chick-fil-A	Item No	Qty	Fan RPM	Volts/Ph/Amps
Location	EF-2	KEFB-14	1,370	115/1/60	
Date	1/26/2023		Fan BHP	0.34	Motor HP
Model			0.81	0.75	
Airflow, cfm			dB	81	TAB Port, in WC
Static Pressure, in WC				2.6	

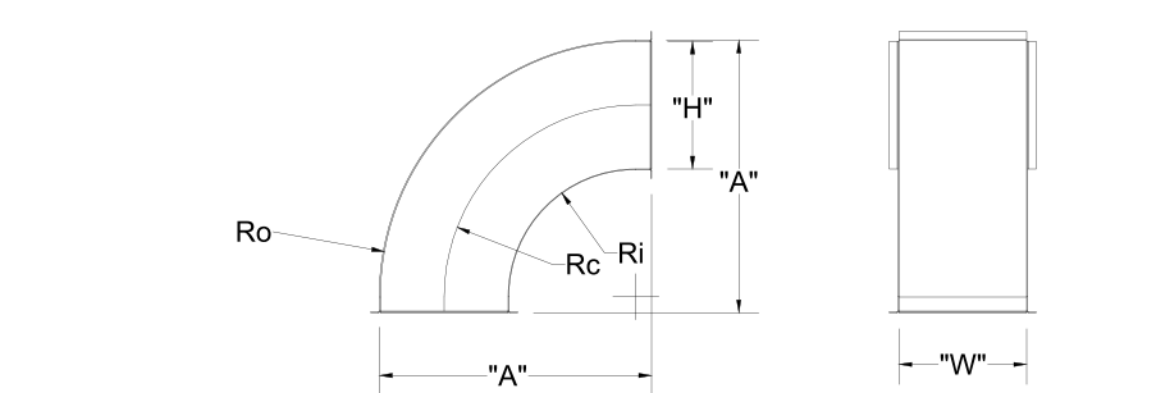


MODEL	GREASE ACCESS DOOR SCHEDULE				
	DOOR SIZE	OPTIONAL FLANGE	OPENING SIZE		
KAP0715	"A"	"B"	"C"	"E"	"F"
KAP1015	7	15	FLAT	5.5	13.5
	10	15	1/2	7	12

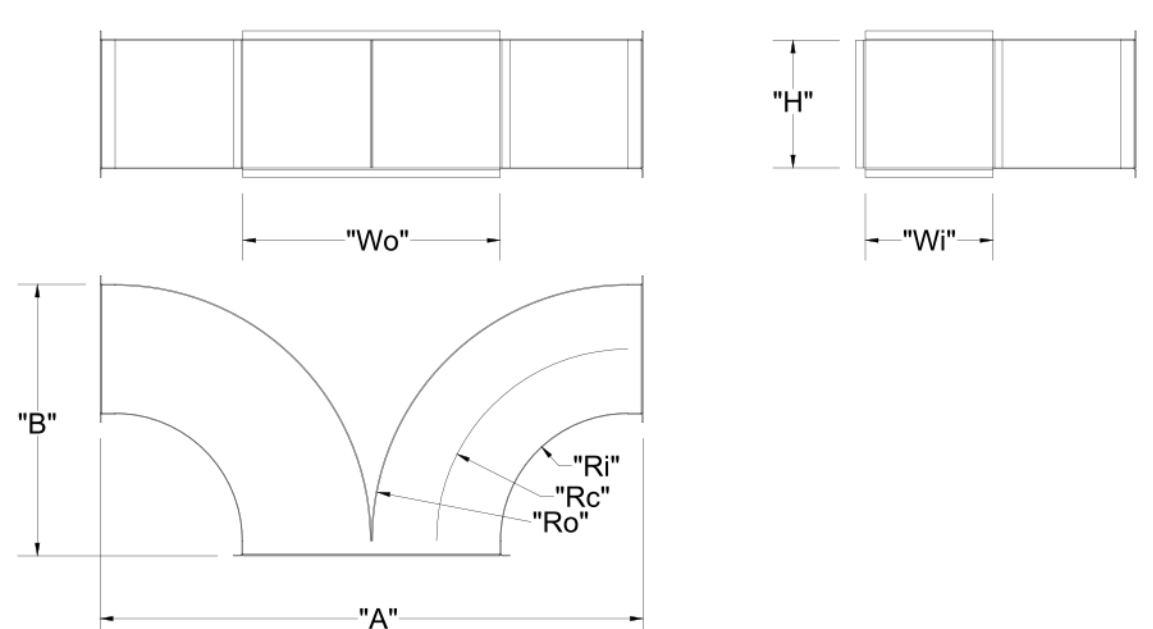
ACCESS DOORS SHALL BE U.L. 1978 LISTED OR FIELD FABRICATED, REQUIRE NO TOOLS FOR REMOVAL AND MEET THE REQUIREMENTS OF THE CURRENT EDITION OF THE IMC. ACCESS DOOR SHALL BE SECURED WITH THUMB SCREWS. ACCESS DOORS SHALL BE SEALED WITH A MINIMUM 1500 DEGREE GASKET MATERIAL



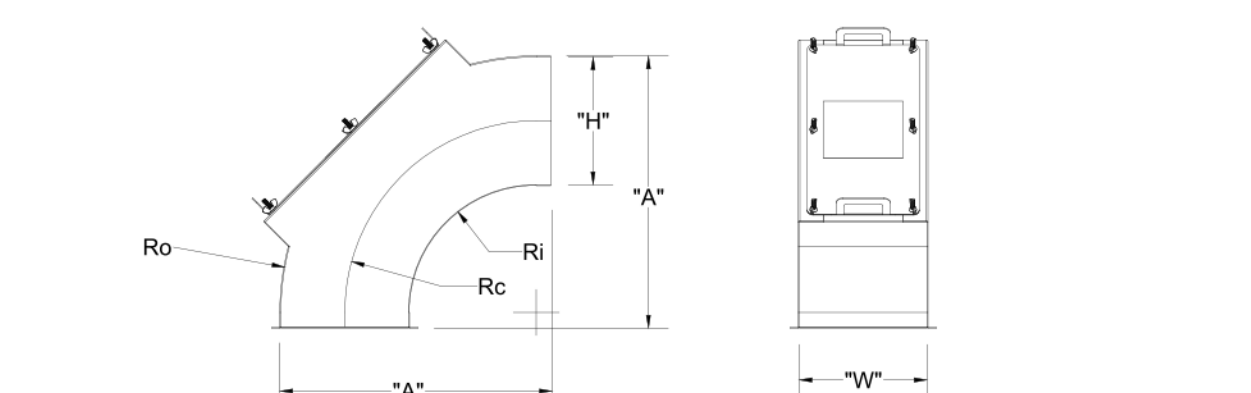
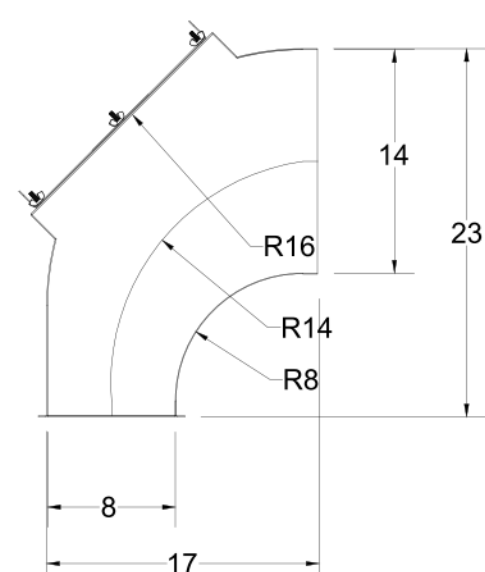
INSTALL PER MANUFACTURER'S INSTRUCTIONS



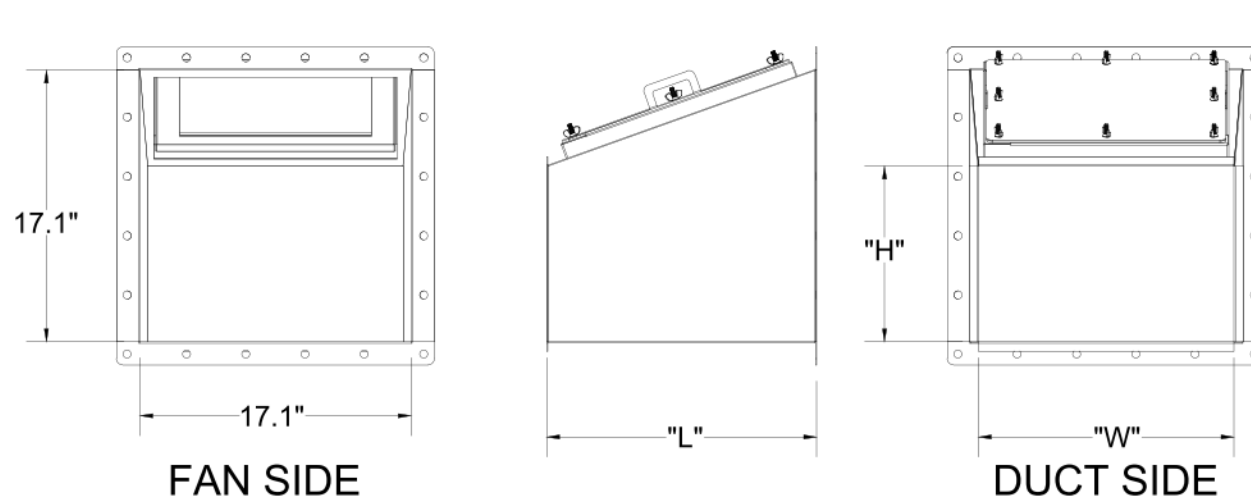
	"H"	"W"	"A"	Ro	Rc	Ri
EF-2	8	8	17	16	12	8
EF-2	8	10	17	16	12	8



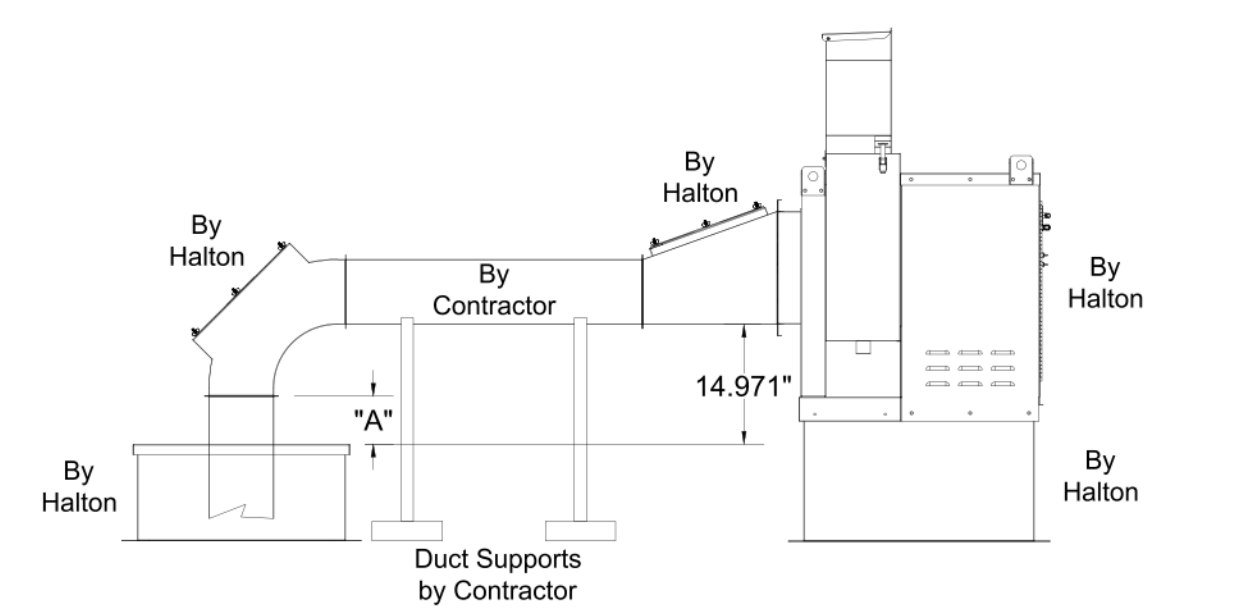
	"W"	"H"	Wo	Ro	Rc	Ri	"A"	"B"
EF-1	8	14	16	16	12	8	34	17
EF-2	8	10	16	16	12	8	34	17



	"H"	"W"	"A"	Ro	Rc	Ri
EF-2	14	8	29	28	21	14
EF-2	8	8	17	16	12	8



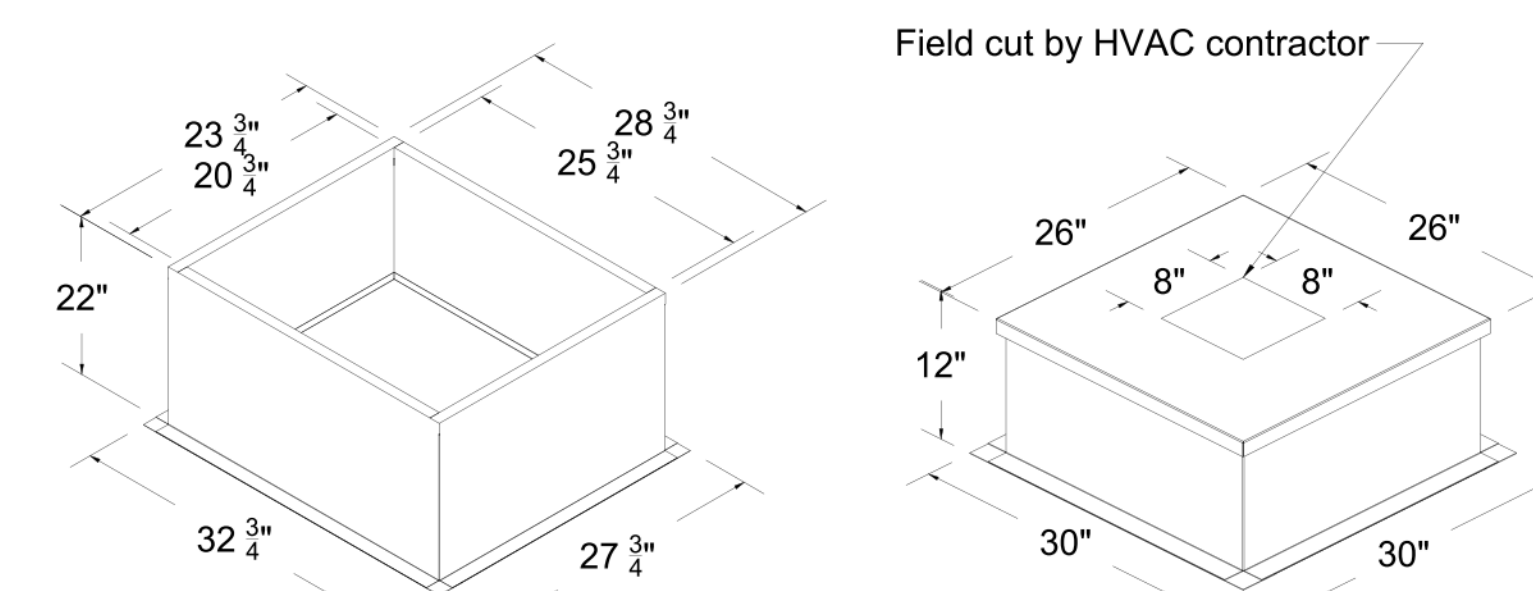
TRANSITION	"H"	"W"	"L"
EF-1	5	14	16
EF-2	6	10	17



"A" DISTANCE AVAILABLE FOR DUCT SLOPE

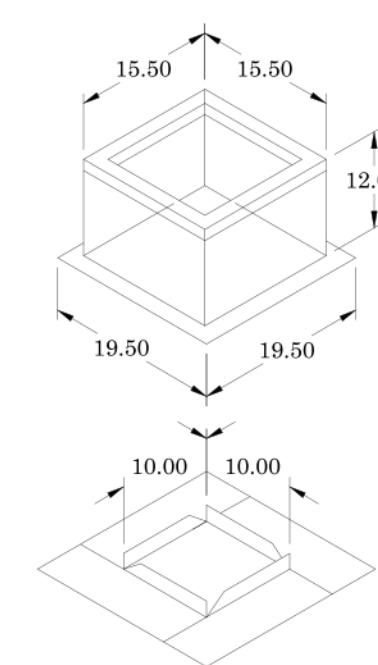
	ELBOW	"A"
EF-1	14X8	8
EF-2	8X8	10

Halton Kitchen Exhaust Fan Curb Insulated Duct Curb



Kitchen Exhaust Fan Roof Curb
Standard Construction Features:
- Roof Curb fits between the building roof and the fan mounted directly to the roof support structure
- Constructed of 18 ga aluminum steel
- Straight Sides without a cant
- 2 in. mounting flange
- Height is 22 in.

Insulated Duct Curb
Standard Construction Features:
- Duct Curb fits between the building roof and the fan mounted directly to the roof support structure
- Constructed of 18 ga aluminum steel
- Straight Sides without a cant
- 2 in. mounting flange
- Height is 12 in.
- 16 ga. cap



Model: GPI For Model: XRED-090-VG Curb & Damper Tray

ACCESSORIES				
MATERIAL	SECURITY BARS	INSULATION LINER	INSULATION	INSULATION R VALUE
GALVANIZED	NO	NO	1	R4.3

GENERAL							
TAG	QTY	MODEL	SIZING METHOD	ACTUAL (in.)	WEIGHT (lb)	SHIPPED ASSEMBLED	UNION LABEL PREFERENCE
EF-3	1	GPI-17	NOMINAL	1.5	14	YES	NO

DIMENSIONS									
CURB HEIGHT (in.)	NOMINAL WIDTH (in.)	NOMINAL OUTSIDE LENGTH (in.)	ACTUAL OUTSIDE LENGTH (in.)	ACTUAL INSIDE WIDTH (in.)	ACTUAL INSIDE LENGTH (in.)	FLANGE WIDTH (in.)	FLANGE LENGTH (in.)	HINGE BASE WIDTH (in.)	HINGE BASE LENGTH (in.)
12	17	17	15.5	15.5	12	12	19.5	16	

*MAY NOT BE APPLICABLE

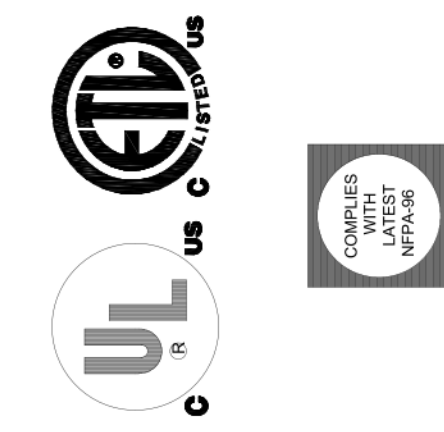
THIS DRAWING MUST BE CHECKED, SIGNED AND RETURNED TO THE APPROPRIATE FACTORY. PLEASE VERIFY THE FOLLOWING:

1. ALL DIMENSIONAL INFORMATION, MOUNTING POSITIONS
 2. THE LOCATION AND TYPE OF COOKING EQUIPMENT.
- NOTE TO APPROVER: ANY CHANGES IN COOKING EQUIPMENT SUCH AS INCREASED ENERGY INPUTS OR EQUIPMENT POSITION MAY AFFECT EXHAUST AIRFLOW. HALTON MUST BE NOTIFIED IF ANY OF THESE CHANGES OCCUR. A RECALCULATION EXHAUST APPLICATION MAY BE REQUIRED.

REVISION AND RESUBMIT WITH NO CHANGES WITH CHANGES AS NOTED

APPROVED FOR FABRICATION

APPROVED BY: _____ DATE: _____



WEBSITE: www.halton.com

HALTON CO (USA)

101 INDUSTRIAL DRIVE
SCOTTSDALE, AZ 85264
1-270-237-5600

HALTON CO (CANADA)

1021 BREVIK PLACE
MISSISSAUGA, ON L4W 3R7
1-905-624-0301

MAIL APPROVED DRAWINGS TO APPROPRIATE FACTORY BELOW:

REVISION DESCRIPTION

REV.	BY	DATE
1	ACF	05.22.23
2	ACF	10.06.23
3	ACF	10.18.23
4	ACF	01.08.24
5	SKK	05.02.24
6		
7		

PROJECT: CHICK-FIL-A FAN DETAILS

LOCATION: PROTO SE, LE, LS, LSR, DR, DS, BTS

DRAWN BY: ACF DATE: 05.10.23

SCALE: CONSULTANT:

DRAWING TITLE:

CFA FAN DETAILS

DRAWING No.:

U23-459

REV. NO.:

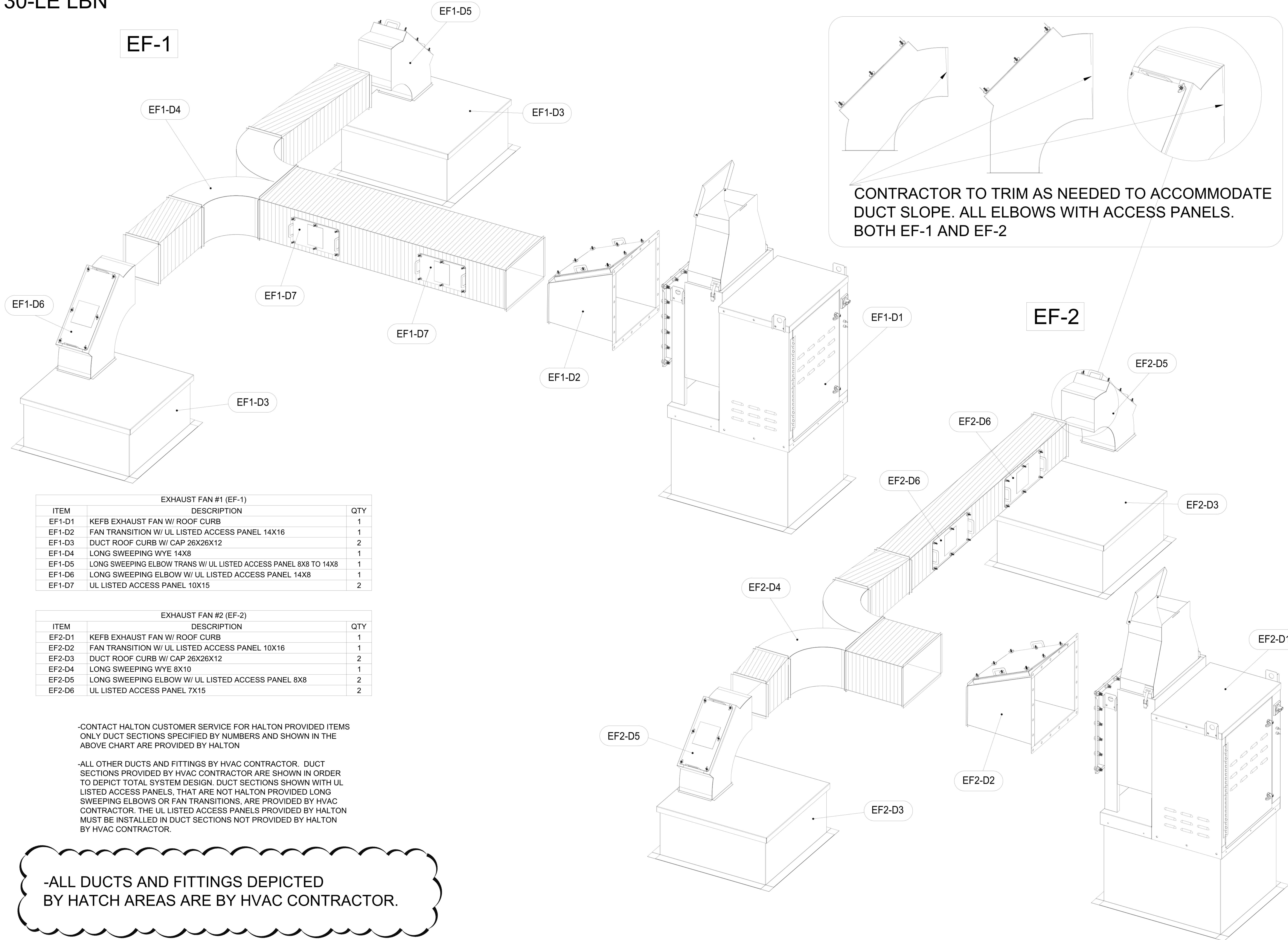
5

SHEET NO.:

1 of 4



30-LE LBN



EXHAUST FAN #1 (EF-1)		
ITEM	DESCRIPTION	QTY
EF1-D1	KEFB EXHAUST FAN W/ ROOF CURB	1
EF1-D2	FAN TRANSITION W/ UL LISTED ACCESS PANEL 14X16	1
EF1-D3	DUCT ROOF CURB W/ CAP 26X26X12	2
EF1-D4	LONG SWEEPING WYE 14X8	1
EF1-D5	LONG SWEEPING ELBOW TRANS W/ UL LISTED ACCESS PANEL 8X8 TO 14X8	1
EF1-D6	LONG SWEEPING ELBOW W/ UL LISTED ACCESS PANEL 14X8	1
EF1-D7	UL LISTED ACCESS PANEL 10X15	2

EXHAUST FAN #2 (EF-2)		
ITEM	DESCRIPTION	QTY
EF2-D1	KEFB EXHAUST FAN W/ ROOF CURB	1
EF2-D2	FAN TRANSITION W/ UL LISTED ACCESS PANEL 10X16	1
EF2-D3	DUCT ROOF CURB W/ CAP 26X26X12	2
EF2-D4	LONG SWEEPING WYE 8X10	1
EF2-D5	LONG SWEEPING ELBOW W/ UL LISTED ACCESS PANEL 8X8	2
EF2-D6	UL LISTED ACCESS PANEL 7X15	2

-CONTACT HALTON CUSTOMER SERVICE FOR HALTON PROVIDED ITEMS ONLY DUCT SECTIONS SPECIFIED BY NUMBERS AND SHOWN IN THE ABOVE CHART ARE PROVIDED BY HALTON

-ALL OTHER DUCTS AND FITTINGS BY HVAC CONTRACTOR. DUCT SECTIONS PROVIDED BY HVAC CONTRACTOR ARE SHOWN IN ORDER TO DEPICT TOTAL SYSTEM DESIGN. DUCT SECTIONS SHOWN WITH UL LISTED ACCESS PANELS, THAT ARE NOT HALTON PROVIDED LONG SWEEPING ELBOWS OR FAN TRANSITIONS, ARE PROVIDED BY HVAC CONTRACTOR. THE UL LISTED ACCESS PANELS PROVIDED BY HALTON MUST BE INSTALLED IN DUCT SECTIONS NOT PROVIDED BY HALTON BY HVAC CONTRACTOR.

-ALL DUCTS AND FITTINGS DEPICTED BY HATCH AREAS ARE BY HVAC CONTRACTOR.

CONTRACTOR TO TRIM AS NEEDED TO ACCOMMODATE DUCT SLOPE. ALL ELBOWS WITH ACCESS PANELS. BOTH EF-1 AND EF-2

THIS DRAWING MUST BE CHECKED, SIGNED AND RETURNED TO THE APPROPRIATE FACTORY. PLEASE VERIFY THE FOLLOWING:
 1. ALL DIMENSIONAL INFORMATION, MOUNTING POSITIONS AND CLEARANCES.
 2. THE LOCATION AND TYPE OF COOKING EQUIPMENT.
 NOTE TO APPROVER: ANY CHANGES IN COOKING EQUIPMENT SUCH AS INCREASED ENERGY INPUTS OR EQUIPMENT CHANGES OCCUR, A RECALCULATION EXHAUST AIRFLOW MAY BE REQUIRED.
 REVISE AND RESUBMIT
 APPROVED FOR FABRICATION
 WITH NO CHANGES
 WITH CHANGES AS NOTED



MAIL APPROVED DRAWINGS TO APPROPRIATE FACTORY BELOW:	WEBSITE: www.halton.com
HALTON CO. (CANADA) 1021 BREVIK PLACE MISSISSAUGA, ON L4W 3R7 1-905-624-0301	HALTON CO. (USA) 101 INDUSTRIAL DRIVE SCOTTSDALE, KY 42164 1-270-237-5600
REVISION DESCRIPTION	DATE
1. ADDED 8" TO 14" ELBOW TRANSITION, REVISED DUCT DEPICTIONS FOR EF-1	05.22.23
2. REMOVED DUCT SUPPORT DEPICTION	10.06.23
3. REMOVED UPPER FLANGES FROM ELBOWS WITH ACCESS PANEL, ADDED TRIM NOTE	10.18.23
4. NO CHANGE	01.08.24
5. NO CHANGE	05.02.24
6. NO CHANGE	
7. NO CHANGE	

PROJECT: CHICK-FIL-A FAN DETAILS
 LOCATION: PROTO 30-LE 102LBN
 DRAWN BY: ACF DATE: 05.10.23
 SCALE: CONSULTANT:
 DRAWING TITLE: CFA FAN DETAILS
 DRAWING No.: U23-454
 REV. NO.: 5 SHEET NO.: 1 of 5



APPROVED BY: _____ DATE: _____