

FOR QUESTIONS, CALL THE  
 Florida National Accounts  
 REGION 60  
 PHONE: (407) 682 - 3100  
 EMAIL: reg60@captiveaire.com

**HOOD INFORMATION - JOB#7327017**

HOOD NO	TAG	MODEL	MANUFACTURER	LENGTH	MAX COOKING TEMP	TYPE	APPLIANCE DUTY	DESIGN CFM/FT	TOTAL EXH CFM	EXHAUST PLENUM RISER(S)				HOOD CONSTRUCTION	HOOD CONFIG				
										WIDTH	LENG	HEIGHT	DIA		CFM	VEL	SP	END TO END	RDW
1	GRIDDLE HOOD	3347 BD-2	CAPTIVEAIRE	5' 6"	600 DEG	I	HEAVY	273	1500			4'	12"	1500	1910	-1.412"	430 SS WHERE EXPOSED	ALONE	ALONE
2	FRYER HOOD	3347 BD-2	CAPTIVEAIRE	7' 0"	600 DEG	I	HEAVY	214	1500			4'	12"	1500	1910	-1.090"	430 SS WHERE EXPOSED	ALONE	ALONE

**HOOD INFORMATION**

HOOD NO	TAG	FILTER(S)				LIGHT(S)				UTILITY CABINET(S)				FIRE SYSTEM PIPING	HOOD HANGING WEIGHT	
		TYPE	QTY	HEIGHT	LENGTH	EFFICIENCY @ 7 MICRONS	QTY	TYPE	WIRE GUARD	LOCATION	SIZE	FIRE SYSTEM	ELECTRICAL			SWITCHES
1	GRIDDLE HOOD	CAPTRATE SOLO FILTER	4	16"	16"	85% SEE FILTER SPEC	4	L55 SERIES E26	NO						YES	244 LBS
2	FRYER HOOD	CAPTRATE SOLO FILTER	5	16"	16"	85% SEE FILTER SPEC	4	L55 SERIES E26	NO						YES	290 LBS

**HOOD OPTIONS**

HOOD NO	TAG	OPTION
1	GRIDDLE HOOD	FIELD WRAPPER 14.00' HIGH FRONT, LEFT, RIGHT.
		RIGHT QUARTER END PANEL 23' TOP WIDTH, 0' BOTTOM WIDTH, 23' HIGH 430 SS.
		LEFT QUARTER END PANEL 23' TOP WIDTH, 0' BOTTOM WIDTH, 23' HIGH 430 SS. SENSOR-CV.
2	FRYER HOOD	FIELD WRAPPER 14.00' HIGH FRONT, LEFT, RIGHT.
		RIGHT QUARTER END PANEL 23' TOP WIDTH, 0' BOTTOM WIDTH, 23' HIGH 430 SS.
		LEFT QUARTER END PANEL 23' TOP WIDTH, 0' BOTTOM WIDTH, 23' HIGH 430 SS. SENSOR-CV.

**WALL-MOUNT UTILITY CABINET**

HOOD NO	LOCATION	SIZE	UTILITY CABINET(S)			WEIGHT
			FIRE SYSTEM	ELECTRICAL	SWITCHES	
1	WALL MNT	12"x60"x24"	TANK FS	4.0/4.0/4.0	SC-E012011MA 1 LIGHT 1 FAN	440.00 LBS

**SPECIFICATION: CAPTRATE® GREASE-STOP® SOLO FILTER**

THE CAPTRATE GREASE-STOP SOLO FILTER IS A SINGLE-STAGE FILTER FEATURING A UNIQUE S-BAFFLE DESIGN IN CONJUNCTION WITH A SLOTTED REAR BAFFLE DESIGN, TO DELIVER EXCEPTIONAL FILTRATION EFFICIENCY.

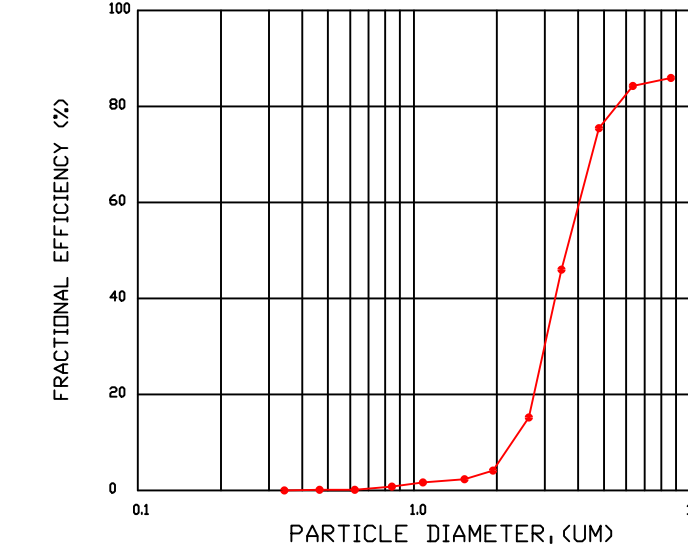
FILTER IS STAINLESS STEEL CONSTRUCTION, AND SIZED TO FIT INTO STANDARD 2-INCH DEEP HOOD CHANNEL(S).

UNITS SHALL INCLUDE STAINLESS STEEL HANDLES AND A FASTENING DEVICE TO SECURE THE TWO COMPONENTS WHEN ASSEMBLED.

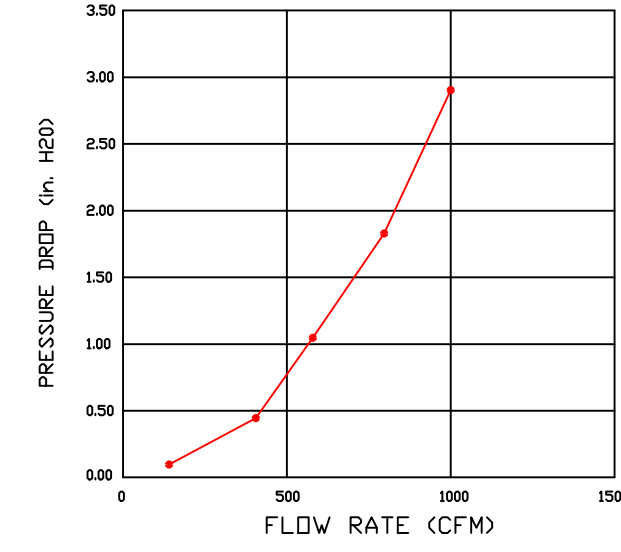
GREASE EXTRACTION EFFICIENCY PERFORMANCE SHALL REMOVE AT LEAST 75% OF GREASE PARTICLES FIVE MICRONS IN SIZE, AND 85% GREASE PARTICLES SEVEN MICRONS IN SIZE AND LARGER, WITH A CORRESPONDING PRESSURE DROP NOT TO EXCEED 1.0 INCHES OF WATER GAUGE.

THE CAPTRATE GREASE-STOP SOLO WAS TESTED TO ASTM STANDARD ASTM F2519-05. MANUFACTURER APPROVED FOR USE IN SOLID FUEL APPLICATIONS AS A SPARK ARRESTER.

EFFICIENCY VS. PARTICLE DIAMETER

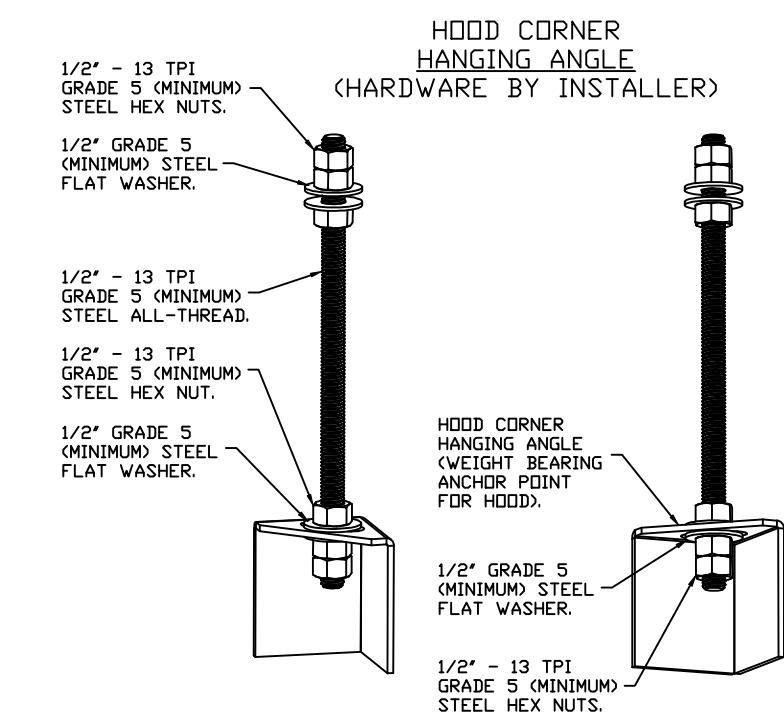


PRESSURE DROP VS. FLOW RATE



CAPTRATE FILTERS ARE BUILT IN COMPLIANCE WITH:

- NFPA #96.
- NSF STANDARD #2.
- UL STANDARD #1046.
- INT. MECH. CODE (IMC).
- ULC-S649.



**ASSEMBLY INSTRUCTIONS**

HANGING ANGLE MUST BE SUPPORTED WITH 1/2" - 13 TPI GRADE 5 (MINIMUM) ALL-THREAD. SANDWICH HANGING ANGLES AND CEILING ANCHOR POINTS WITH 1/2" GRADE 5 (MINIMUM) STEEL FLAT WASHERS AND 1/2" - 13 TPI GRADE 5 (MINIMUM) HEX NUTS AS SHOWN. MUST USE DOUBLED HEX NUT CONFIGURATION BENEATH HOOD HANGING ANGLES AND ABOVE CEILING ANCHORS. MAINTAIN 1/4" OF EXPOSED THREADS BENEATH BOTTOM HEX NUT. TORQUE ALL HEX NUTS TO 57 FT-LBS.

**REVISIONS**

DESCRIPTION	DATE



**CAPTIVE AIR**  
 Florida National Accounts  
 239 N Hunt Club Blvd., STE 201, Longwood, FL 32779  
 PHONE: (407) 682 - 3100 FAX: 9192275913 EMAIL: reg60@captiveaire.com

CULVERS HIGHPOINT NC REV1  
 HIGH POINT, NC, 27265

DATE: 5/8/2025

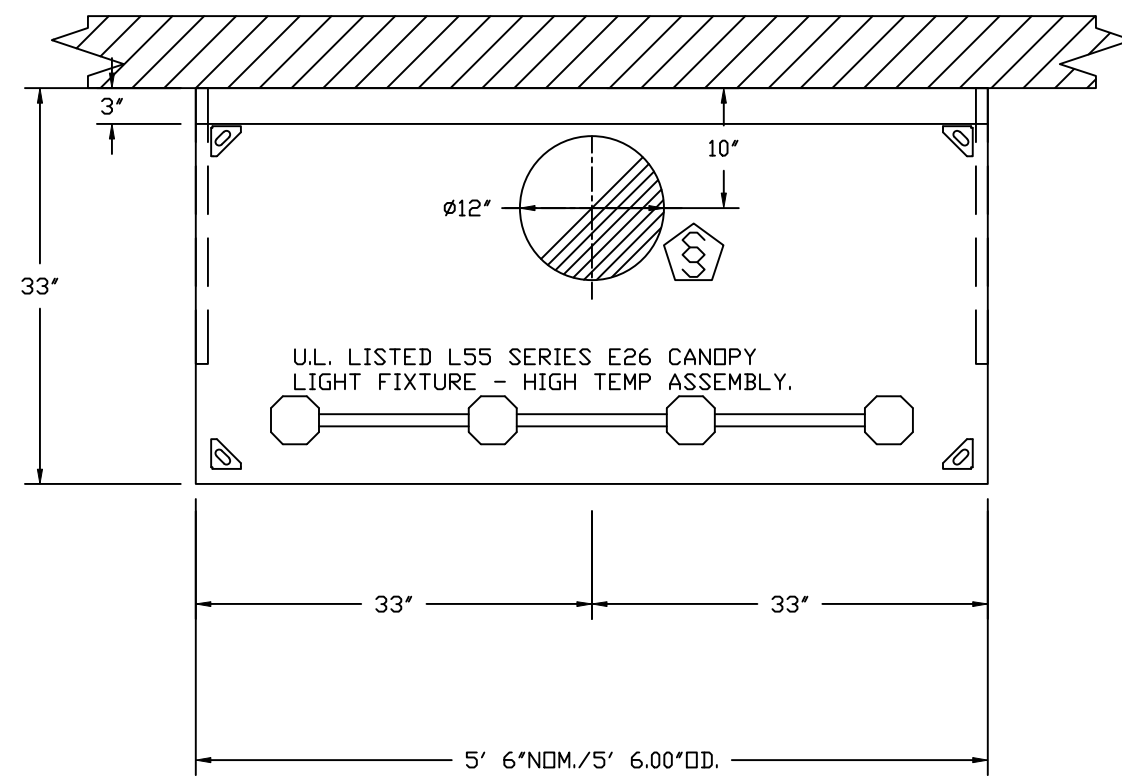
DWG.#: 7327017

DRAWN BY: sluddy jr

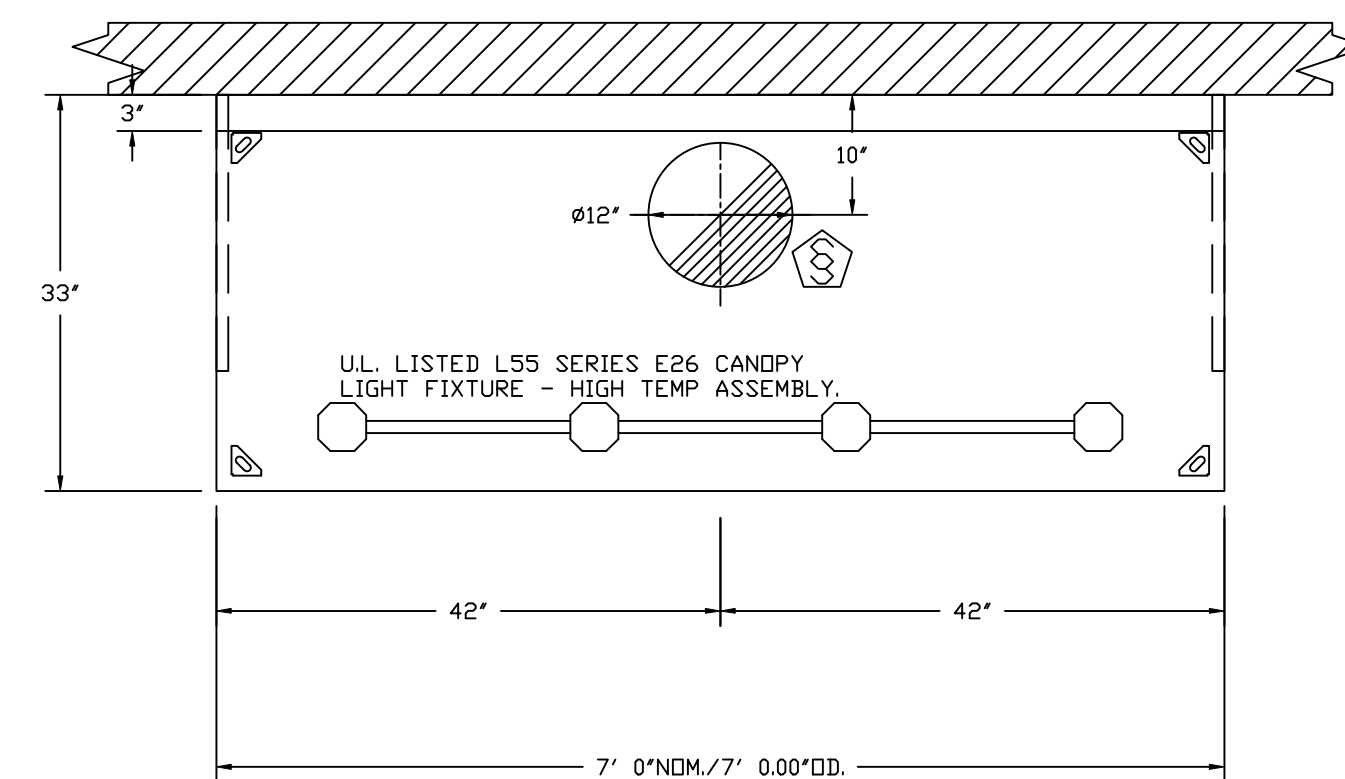
SCALE: 3/4" = 1'-0"

MASTER DRAWING

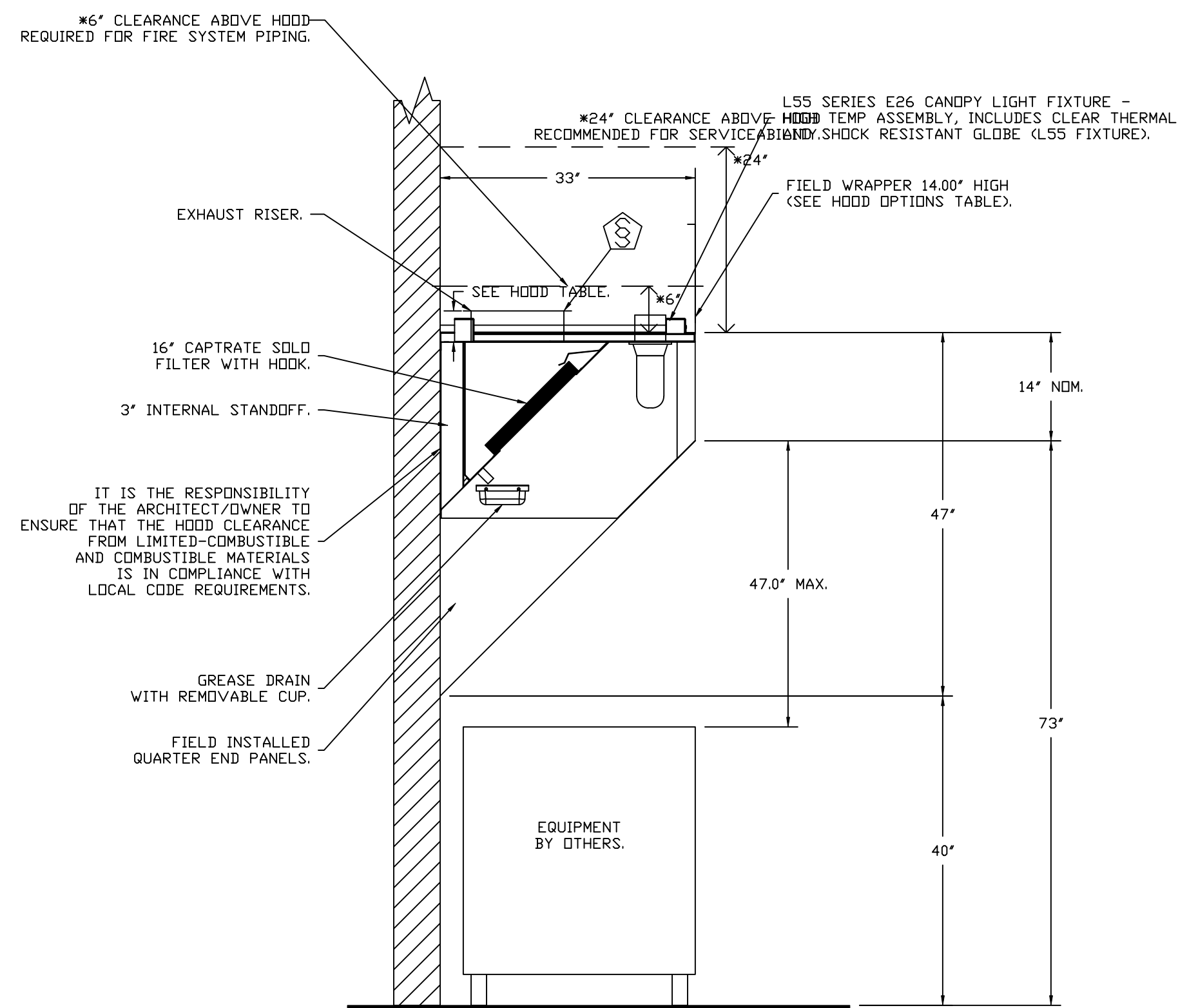
SHEET NO. 1



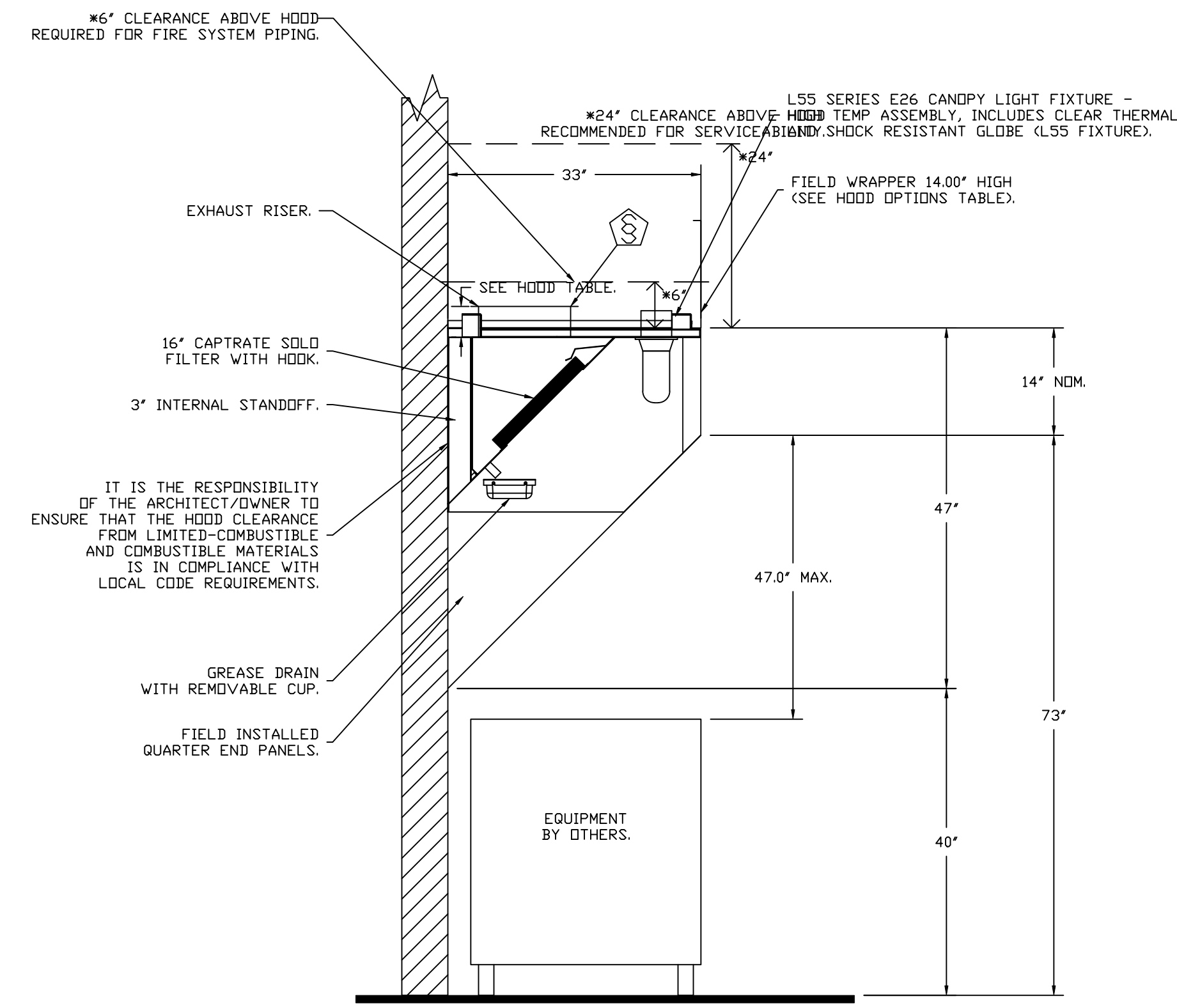
PLAN VIEW - HOOD #1 (GRIDDLE HOOD)  
5' 6.00" LONG 3347BD-2



PLAN VIEW - HOOD #2 (FRYER HOOD)  
7' 0.00" LONG 3347BD-2



SECTION VIEW - MODEL 3347BD-2  
HOOD - #1 (GRIDDLE HOOD)



SECTION VIEW - MODEL 3347BD-2  
HOOD - #2 (FRYER HOOD)

REVISIONS	
DESCRIPTION	DATE

  
 Florida National Accounts  
 www.captiveaire.com  
 239 N Hunt Club Blvd., STE 201, Longwood, FL 32779 PHONE: (407) 682-3100 FAX: 9192275913 EMAIL: reg60@captiveaire.com

CULVERS HIGHPOINT NC REV1  
 HIGH POINT, NC, 27265

DATE: 5/8/2025  
 DWG.#: 7327017  
 DRAWN BY: sluddy jr  
 SCALE: 3/4" = 1'-0"  
 MASTER DRAWING

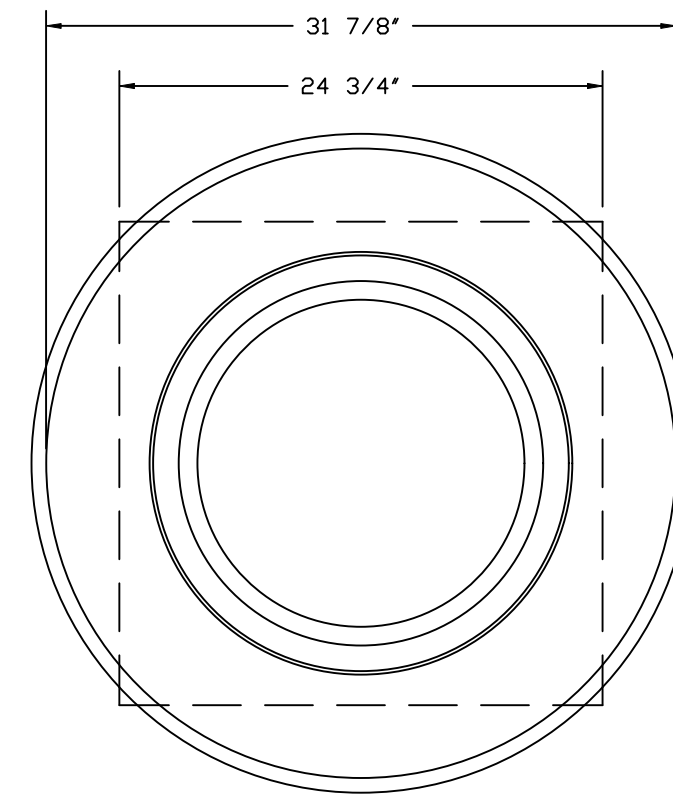
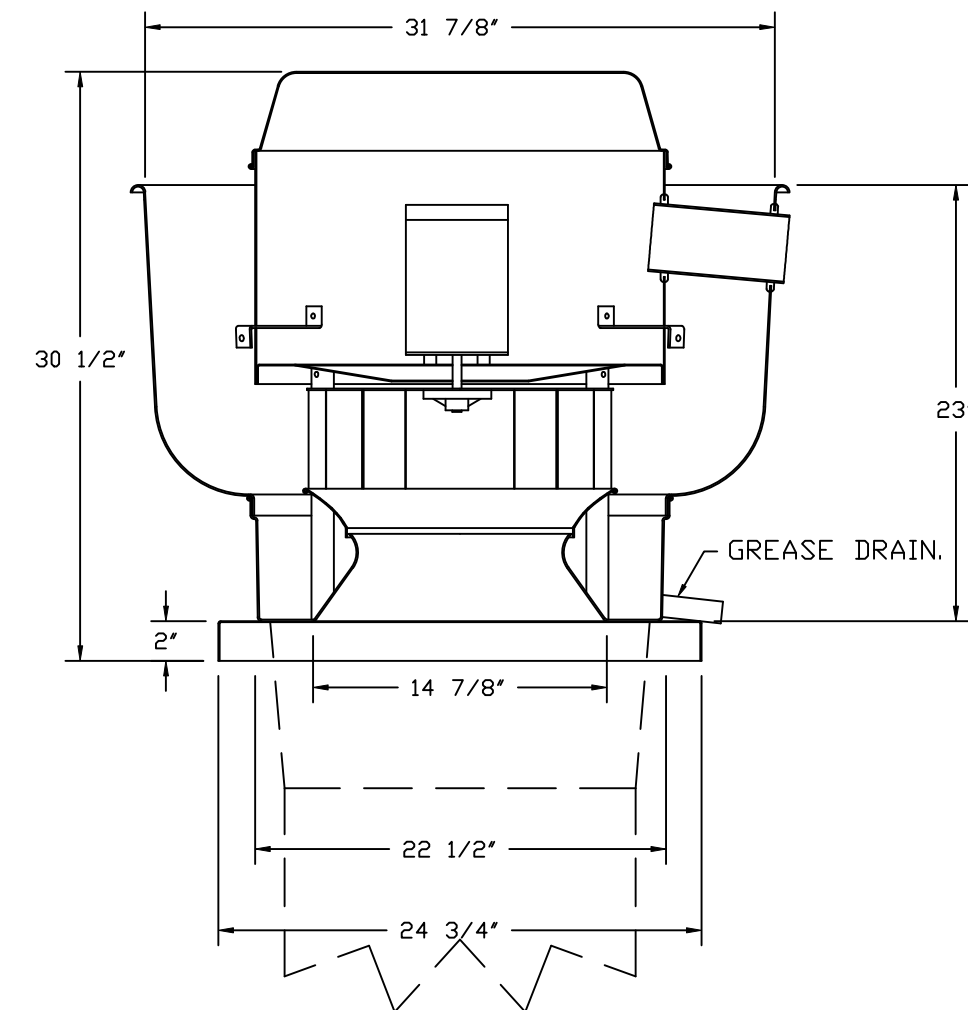
SHEET NO.  
 2



**EXHAUST FAN INFORMATION – JOB#7327017**

FAN UNIT NO	TAG	QTY	FAN UNIT MODEL #	MANUFACTURER	CFM	ESP	RPM	MOTOR ENCL	HP	BHP	PHASE	VOLT	FLA	DISCHARGE VELOCITY	WEIGHT (LBS)	SDNES
1	PRV-1 RESTROOM	1	DR12HFA	CAPTIVEAIRE	450	0.500	1466	TEAO-ECM	0.250	0.1350	1	115	2.9		85	8.2
2	PRV-2 GRIDDLE	1	DU85HFA	CAPTIVEAIRE	1500	1.800	1538	TEAO-ECM	1.000	0.6990	1	115	11.6	475 FPM	129	14.8
3	PRV-3 FRYER	1	DU85HFA	CAPTIVEAIRE	1500	1.250	1348	TEAO-ECM	1.000	0.4700	1	115	11.6	475 FPM	129	11.3
4	EF-1	1	CFA 100CA	CAPTIVEAIRE	75	0.125	493	GENERALPURPOSE	0.116	0.0510	1	115	1.1		26	N/A

FANS #2 (PRV-2 GRIDDLE), #3 (PRV-3 FRYER) – DU85HFA EXHAUST FAN



TOP VIEW

**FEATURES:**

- DIRECT DRIVE CONSTRUCTION (NO BELTS/PULLEYS).
- ROOF MOUNTED FANS.
- RESTAURANT MODEL.
- UL705 AND UL762 AND ULC-S645
- VARIABLE SPEED CONTROL.
- INTERNAL WIRING.
- THERMAL OVERLOAD PROTECTION (SINGLE PHASE).
- HIGH HEAT OPERATION 300°F (149°C).
- GREASE CLASSIFICATION TESTING.
- NEMA 3R SAFETY DISCONNECT SWITCH.

**NORMAL TEMPERATURE TEST**

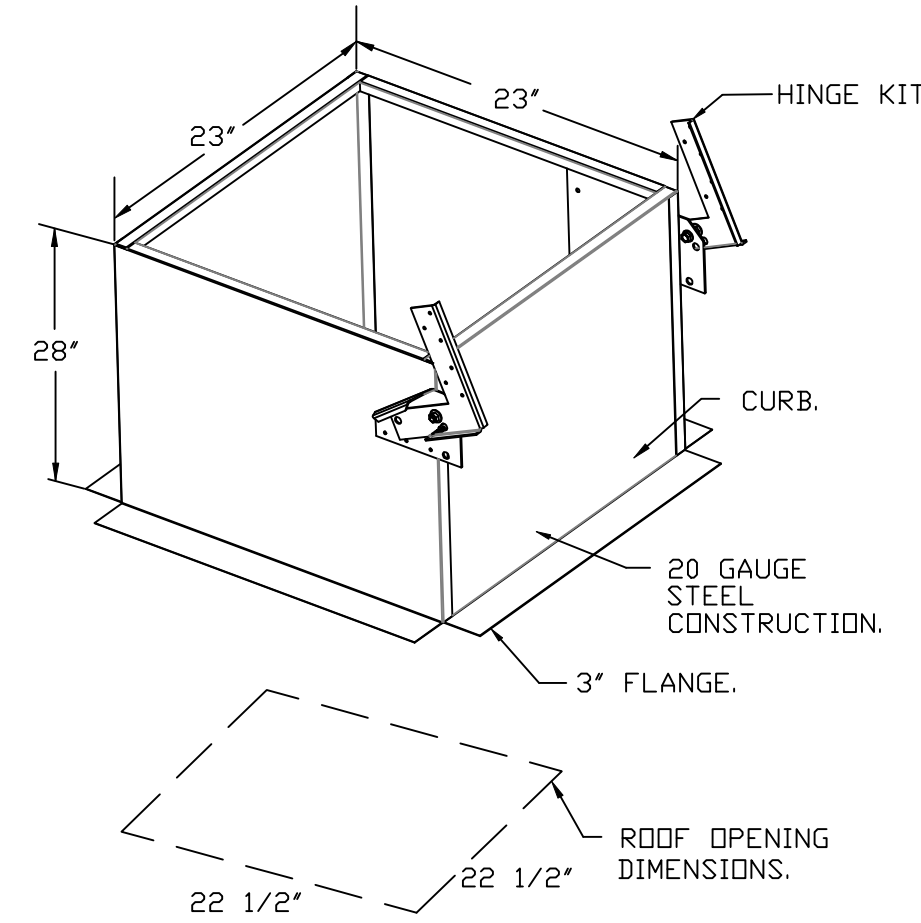
EXHAUST FAN MUST OPERATE CONTINUOUSLY WHILE EXHAUSTING AIR AT 300°F (149°C) UNTIL ALL FAN PARTS HAVE REACHED THERMAL EQUILIBRIUM, AND WITHOUT ANY DETERIORATING EFFECTS TO THE FAN WHICH WOULD CAUSE UNSAFE OPERATION.

**ABNORMAL FLARE-UP TEST**

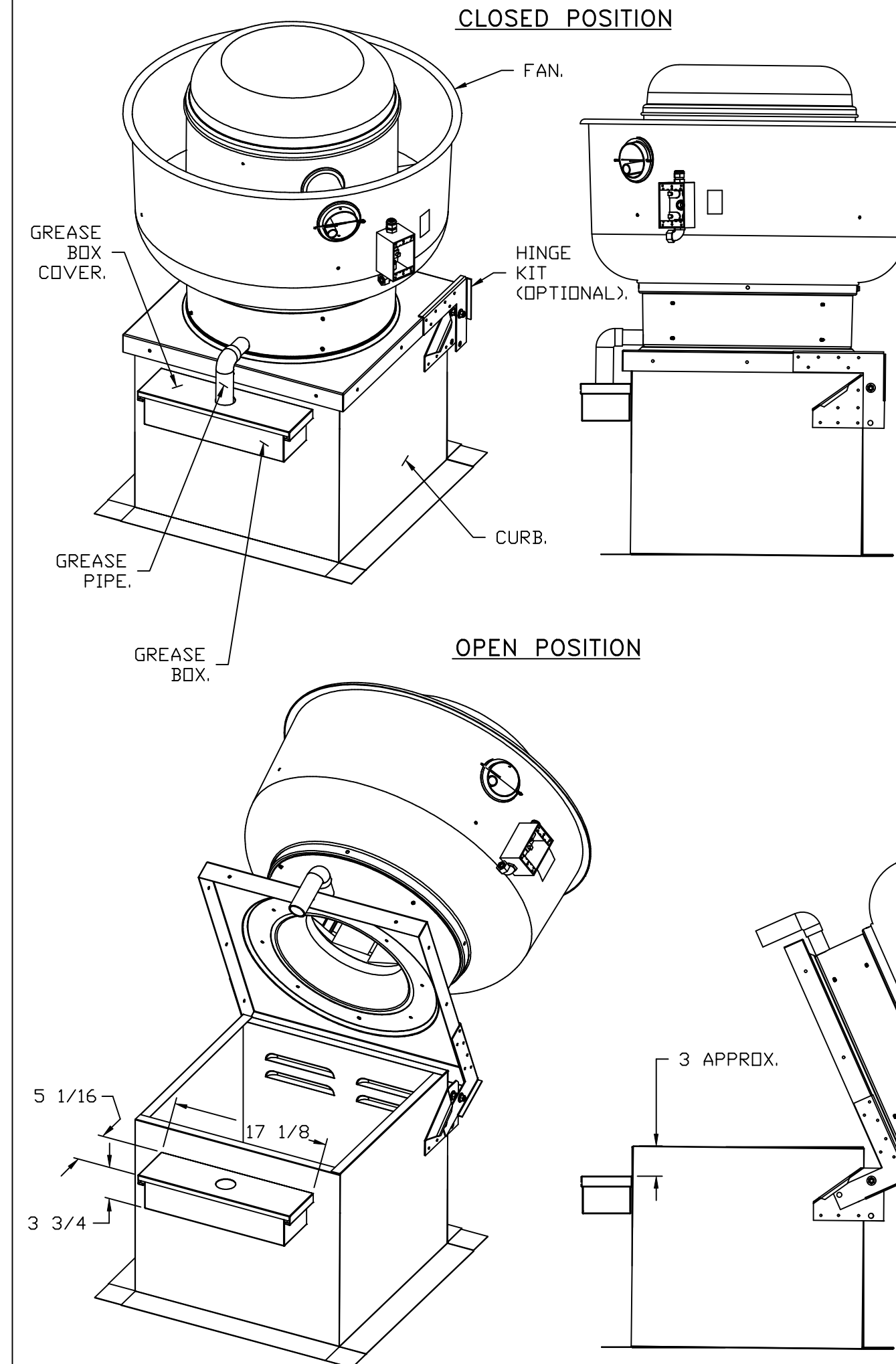
EXHAUST FAN MUST OPERATE CONTINUOUSLY WHILE EXHAUSTING BURNING GREASE VAPORS AT 600°F (316°C) FOR A PERIOD OF 15 MINUTES WITHOUT THE FAN BECOMING DAMAGED TO ANY EXTENT THAT COULD CAUSE AN UNSAFE CONDITION.

**OPTIONS**

- GREASE BOX.
- FAN BASE CERAMIC SEAL – DU/DR85HFA
- INSTALLED AT PLANT – FOR GREASE DUCTS.
- ECM WIRING PACKAGE – MANUAL OR 0-10VDC REFERENCE SPEED CONTROL
- RTC – (TELED MOTOR), CCW ROTATION.
- FULL CRATING FOR EXHAUST FANS.
- 2 YEAR PARTS WARRANTY.



**GREASE BOX INSTALLATION**



\*NOTE: UL 705 INSTALL.

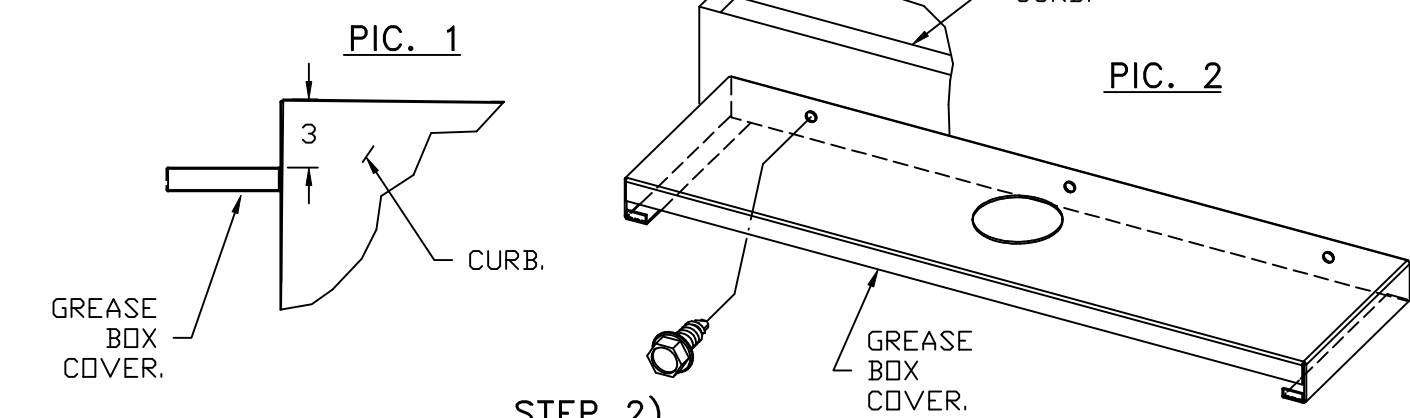
**PARTS INCLUDED**

- GREASE BOX.
- GREASE BOX COVER.
- GREASE PIPE.
- SHEET METAL SCREWS  
3 – LONG (3/4\" LG.).

**GREASE BOX FIELD INSTALLATION**

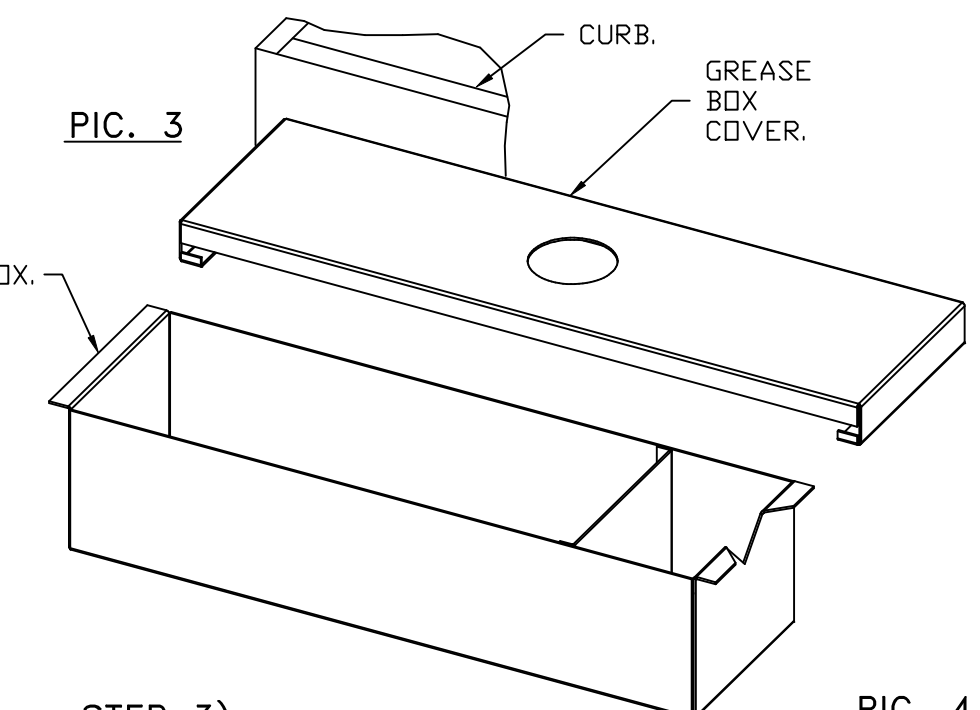
**STEP 1)**

ATTACH GREASE BOX COVER TO THE CURB, HOLD 3\" DIMENSION AS SHOWN ON PIC. 1. SCREW GREASE BOX COVER TO CURB USING (3) LONG (3/4\" LG.) SCREWS AS SHOWN ON PIC. 2.



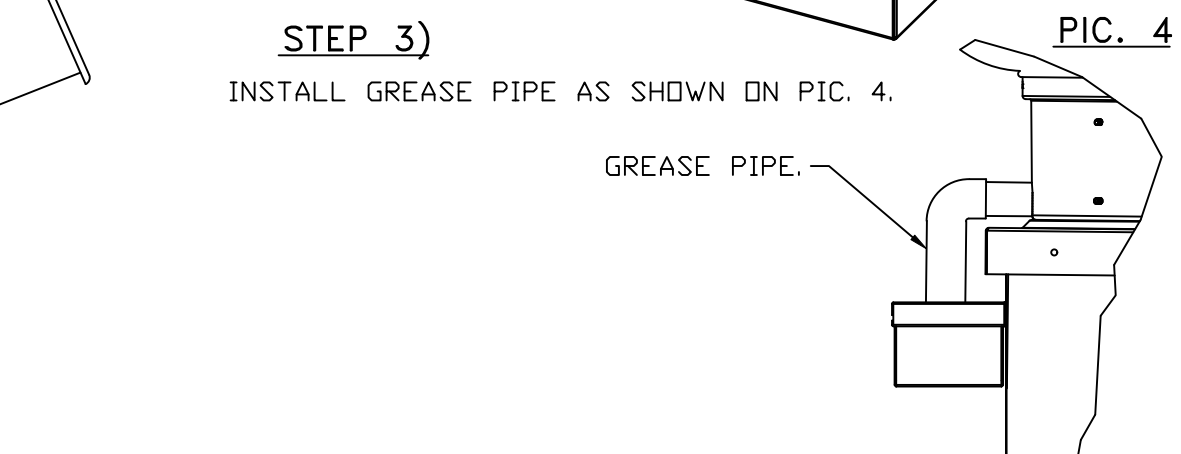
**STEP 2)**

ATTACH GREASE BOX TO GREASE BOX COVER, SLIDE AND DROP AS SHOWN ON PIC. 3.



**STEP 3)**

INSTALL GREASE PIPE AS SHOWN ON PIC. 4.



**REVISIONS**

DESCRIPTION	DATE:

www.captiveaire.com

**Florida National Accounts**  
239 N Hunt Club Blvd., STE 201, Longwood, FL 32779 PHONE: (407) 682-3100 FAX: 9192275913 EMAIL: reg80@captiveaire.com

CULVERS HIGHPOINT NC REV1  
HIGH POINT, NC, 27265

DATE: 5/8/2025  
DWG.#: 7327017  
DRAWN BY: sluddy jr  
SCALE: 3/4\" = 1'-0\"  
MASTER DRAWING

SHEET NO. 4

DOAS/RTU FAN SCHEDULE -- JOB#7327017

FAN INFORMATION													ELECTRICAL INFORMATION				COOLING INFORMATION							REHEAT INFORMATION				GAS HEAT INFORMATION				AEL MINIMUM ROOM VOLUME			NOTES					
FAN UNIT NO	TAG	QTY	DOAS/RTU MODEL #	MANUFACTURER	BLOWER	RETURN AIR CFM	MAX OUTSIDE AIR CFM	TOTAL CFM	WEIGHT (LBS)	ESP	HP	PHASE	VOLT	MCA	MDCP	OUTSIDE AIR DB	MIXED AIR DB	LEAVING AIR DB	W/B	DP	TOTAL SENS.	IEER	ISMRE2	DISCHARGE DB	W/B	CAPACITY DESIRED	MAX	MOISTURE REMOVAL RATE	GAS TYPE	INPUT BTU/LB	OUTPUT BTU/LB	TEMP RISE	REQUIRED INPUT GAS PRESSURE	ROOM AREA (FT2)		AIRFLOW (CFM)	HEIGHT (FT)			
5	RTU-1 DINING	1	CAS-HVAC3-1.300-24-20T	CAPTIVEAIRE	24MF-3-RTU	4000	2000	6000	2776	1.250	10.00	3	208	103.1A	125A	87.3°F	76.6°F	79.1°F	67.4°F	53.1°F	53.1°F	53.2°F	251.7 MBH	162.0 MBH	18.2	7.9	70.0°F	60.1°F	110.6 MBH	29.6 MBH	82.2 LBS/HR	NATURAL	279369	226289	35°F	7 IN. W.C. - 14 IN. W.C.	572.7	1031	7.2	1,2,3,4,5,6,7,8,9,10,11,12,13,14,15,16,17,18,19
6	RTU-1 KITCHEN	1	CAS-HVAC3-1.300-24-20T	CAPTIVEAIRE	24MF-3-RTU	4000	2000	6000	2776	1.250	10.00	3	208	103.1A	125A	87.3°F	76.6°F	79.1°F	67.4°F	53.1°F	53.1°F	53.2°F	251.7 MBH	162.0 MBH	18.2	7.9	70.0°F	60.1°F	110.6 MBH	29.6 MBH	82.2 LBS/HR	NATURAL	199549	161635	25°F	7 IN. W.C. - 14 IN. W.C.	572.7	1031	7.2	1,2,3,4,5,6,7,8,9,10,11,12,13,14,15,16,17,18,19

NOTES:  
 1. INVERTER SCROLL COMPRESSOR WITH INTEGRATED OIL SENSOR. DIGITAL OR STAGED SCROLL NOT AN APPROVED EQUAL  
 2. DIRECT DRIVE PLENUM BLOWER. BELT DRIVEN BLOWERS ARE NOT ACCEPTABLE  
 3. INTEGRATED MONITORING VIA CELLULAR CONNECTION BY MANUFACTURER  
 4. REFRIGERATION PRESSURE MONITORING ON HIGH AND LOW PRESSURE SIDE OF SYSTEM INCLUDED THROUGH DIGITAL INTERFACE  
 5. EC MOTOR CONDENSING FANS  
 6. ELECTRONIC EXPANSION VALVE. TXV NOT ACCEPTABLE  
 7. SUCTION LINE ACCUMULATOR  
 8. FACTORY COMMISSIONING WITH 5 YEAR PARTS WARRANTY, 25 YEAR WARRANTY ON STAINLESS STEEL HEAT EXCHANGER  
 9. AVERAGING INTAKE, EVAP AND DISCHARGE TEMPERATURE SENSORS (DISCHARGE SENSOR TO BE FACTORY MOUNTED WITHIN UNIT)  
 10. 2" EXTERIOR DUAL-WALL CONSTRUCTION 1/2" R-13 INSULATION-MINIMUM 20GA EXTERIOR 1/4" 14GA BASE  
 11. 81% EFFICIENT FURNACE, WITH MODULATING INDUCER TO MAINTAIN CONSTANT COMBUSTION EFFICIENCY ACROSS FIRING RANGE. 6:1 TURNDOWN WITH NG AND 5:1 TURNDOWN WITH LP  
 12. SUPPLY CFM MONITORING INTEGRAL TO UNIT WITH CFM MEASUREMENT INCLUDED THROUGH DIGITAL INTERFACE  
 13. FULLY MODULATING HOT GAS REHEAT  
 14. 15 DEGREE LDW AMBIENT OPERATION  
 15. HALL GUARD FOR CONDENSING COIL  
 16. RTU ECONOMIZER WITH FIXED ENTHALPY CONTROL  
 17. BAROMETRIC RELIEF DAMPER  
 18. DOWN DISCHARGE/DOWN RETURN  
 19. MINIMUM ROOM AREA ASSUMED 7.2' SUPPLY DIFFUSER HEIGHT AND IS CALCULATED PER UL60335-2-40 4TH ED. VALUES BASED ON FACTORY CHARGE. ACTUAL SITE CHARGE MAY DIFFER.

FAN ACCESSORIES

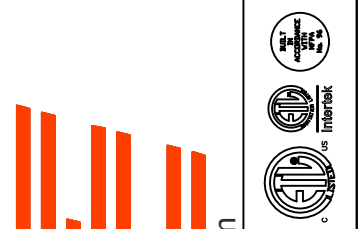
FAN UNIT NO	TAG	EXHAUST				SUPPLY		
		GREASE CUP	GRAVITY DAMPER	WALL MOUNT	SIDE DISCHARGE	GRAVITY DAMPER	MOTORIZED DAMPER	WALL MOUNT
1	PRV-1 RESTROOM		YES					
2	PRV-2 GRIDDLE	YES						
3	PRV-3 FRYER	YES						
4	EF-1							

CURB ASSEMBLIES

NO	DN FAN	TAG	WEIGHT	ITEM	SIZE
1	# 1	PRV-1 RESTROOM	25 LBS	CURB	17.500"W X 17.500"L X 20.000"H INSULATED.
2	# 2	PRV-2 GRIDDLE	49 LBS	CURB	23.000"W X 23.000"L X 28.000"H INSULATED HINGED.
3	# 3	PRV-3 FRYER	49 LBS	CURB	23.000"W X 23.000"L X 28.000"H INSULATED HINGED.
5	# 5	RTU-1 DINING	104 LBS	CURB	59.500"W X 91.000"L X 14.000"H 0.25012.000 PITCH ALDNG WIDTH, LEFT INSULATED.
6	# 6	RTU-1 KITCHEN	104 LBS	CURB	59.500"W X 91.000"L X 14.000"H 0.25012.000 PITCH ALDNG WIDTH, LEFT INSULATED.

REVISIONS

NO	DESCRIPTION	DATE



**Florida National Accounts**  
 239 N Hunt Club Blvd., STE 201, Longwood, FL 32779 PHONE: (407) 682-3100 FAX: 9192275913 EMAIL: reg80@captiveaire.com

CULVERS HIGHPOINT NC REV1  
 HIGH POINT, NC, 27265

DATE: 5/8/2025

DWG.#:  
7327017

DRAWN BY: sluddy jr

SCALE:  
1/2" = 1'-0"

MASTER DRAWING

SHEET NO.  
5

FAN OPTIONS

FAN UNIT NO	TAG	QTY	DESCRIPTION
1	PRV-1 RESTR DDM	1	1 12-BDD DAMPER
		1	ECM WIRING PACKAGE - EXHAUST - MANUAL DR 0-10VDC REFERENCE SPEED CONTROL -MSC- (TELCD), CCW ROTATION
		1	FULL CRATING FOR EXHAUST FANS
		1	2 YEAR PARTS WARRANTY
2	PRV-2 GRIDDLE	1	GREASE BOX
		1	FAN BASE CERAMIC SEAL - DU/DR85HFA - INSTALLED AT PLANT - FOR GREASE DUCTS
		1	ECM WIRING PACKAGE - MANUAL DR 0-10VDC REFERENCE SPEED CONTROL -RTC- (TELCD MOTOR), CCW ROTATION
		1	FULL CRATING FOR EXHAUST FANS
3	PRV-3 FRYER	1	GREASE BOX
		1	FAN BASE CERAMIC SEAL - DU/DR85HFA - INSTALLED AT PLANT - FOR GREASE DUCTS
		1	ECM WIRING PACKAGE - MANUAL DR 0-10VDC REFERENCE SPEED CONTROL -RTC- (TELCD MOTOR), CCW ROTATION
		1	FULL CRATING FOR EXHAUST FANS
4	EF-1	1	FAN CONTROL - 3 AMP WHITE SPEED CONTROL FOR CFA CEILING FAN
		1	MG1 - METAL GRILLE KIT
5	RTU-1 DINING	1	2 YEAR PARTS WARRANTY
		1	INLET PRESSURE GAUGE, 0-35"
		1	MANIFOLD PRESSURE GAUGE, 0 TO 10" WC, 1 FURNACE
		1	COOLING OVERRIDE
		1	SHIP LOOSE GAS STRAINER 1"
		1	SINGLE POINT ELECTRICAL CONNECTION FOR RTU. 750VA TRANSFORMER USED. IF A NON-DCV PREWIRE CONTROLS THIS UNIT, THE #28, #47, 'MA', OR 'E2' PREWIRE OPTION MUST BE SELECTED. DOES NOT PROVIDE SUPPLY STARTER IN PREWIRE
		1	CASLINK BUILDING MONITORING SYSTEM - INTERNET OR CELLULAR CONNECTION REQUIRED
		1	RTU BLOWER DOOR SWITCH
		1	RTU3 DOWN DISCHARGE
		1	2" MERV 13 FILTERS FOR RTU3 (QTY. 4)
		1	2" MERV 8 FILTERS FOR RTU3 (QTY. 4)
		1	OVERHEAT STAT
		1	TOTAL CFM MONITORING
		1	VFD FACTORY MOUNTED AND WIRED IN RTU COMMERCIAL CONTROL VESTIBULE
		1	20 TON MODULATING COOLING OPTION, 208/230V. R454B REFRIGERANT, VARIABLE SPEED COMPRESSOR, ECM CONDENSING FANS
		1	LOW AMBIENT COOLING OPERATION - DOWN TO OF AMBIENT
		1	R454B LEAK DETECTOR OPTION FOR RTUS
		1	OCCUPIED SCHEDULING
		1	INTAKE FIRESTAT SET TO 135°F
		1	FREEZESTAT
		1	DISCHARGE FIRESTAT SET TO 240°F
		1	20 TON MODULATING REHEAT OPTION - SPACE DEWPOINT CONTROL - R454B
		1	RTU3 CURB DUCT HANGER
		1	24VAC FIRE INPUT
		1	RTU RETURN MOUNTED SMOKE DETECTOR AND SAMPLING TUBE - FACTORY INSTALLED
		1	RTU3 CONVENIENCE OUTLET (GFCI), 15 AMP - REQUIRES SEPARATE 120V CONNECTION. INCLUDES RECEPTACLE, COVER AND J-BOX
		1	RTU ECONDMIZER - FIXED ENTHALPY CONTROL
		1	RTU3 ECONDMIZER BARMETRIC RELIEF
		1	RTU INTAKE/RETURN DAMPER - MANUAL CONTROL VIA HMI
		1	RTU3 HAIL GUARD
		1	RTU3 DOWN RETURN
		1	REMOTE TEMPERATURE AND HUMIDITY SPACE SENSOR
1	VAV PACKAGE W/ MANUAL/DDC CONTROL (S71 VFD INCLUDED)		
1	2" METAL MESH FILTERS FOR RTU3 OUTDOOR INTAKE		
1	5 YEAR ENTIRE UNIT PARTS WARRANTY, 10 YEAR ENTIRE UNIT PARTS WARRANTY WITH REMOTE MONITORING AND CAPTIVEAIRE SERVICE CONTRACT, 25 YEAR STAINLESS STEEL FURNACE PARTS WARRANTY (SEE ADDITIONAL DETAILS)		
1	EXTERIOR GAS CONNECTION PROVIDED BY FACTORY WITH QUICK SEAL AND ANTI-ROTATION BRACKET		

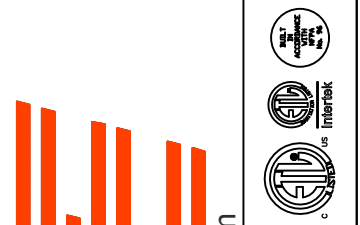
FAN OPTIONS

FAN UNIT NO	TAG	QTY	DESCRIPTION
6	RTU-1 KITCHEN	1	INLET PRESSURE GAUGE, 0-35"
		1	MANIFOLD PRESSURE GAUGE, 0 TO 10" WC, 1 FURNACE
		1	COOLING OVERRIDE
		1	SHIP LOOSE GAS STRAINER 1"
		1	SINGLE POINT ELECTRICAL CONNECTION FOR RTU. 750VA TRANSFORMER USED. IF A NON-DCV PREWIRE CONTROLS THIS UNIT, THE #28, #47, 'MA', OR 'E2' PREWIRE OPTION MUST BE SELECTED. DOES NOT PROVIDE SUPPLY STARTER IN PREWIRE
		1	CASLINK BUILDING MONITORING SYSTEM - INTERNET OR CELLULAR CONNECTION REQUIRED
		1	RTU BLOWER DOOR SWITCH
		1	RTU3 DOWN DISCHARGE
		1	2" MERV 13 FILTERS FOR RTU3 (QTY. 4)
		1	2" MERV 8 FILTERS FOR RTU3 (QTY. 4)
		1	OVERHEAT STAT
		1	TOTAL CFM MONITORING
		1	20 TON MODULATING COOLING OPTION, 208/230V. R454B REFRIGERANT, VARIABLE SPEED COMPRESSOR, ECM CONDENSING FANS
		1	LOW AMBIENT COOLING OPERATION - DOWN TO OF AMBIENT
		1	R454B LEAK DETECTOR OPTION FOR RTUS
		1	OCCUPIED SCHEDULING
		1	INTAKE FIRESTAT SET TO 135°F
		1	FREEZESTAT
		1	DISCHARGE FIRESTAT SET TO 240°F
		1	20 TON MODULATING REHEAT OPTION - SPACE DEWPOINT CONTROL - R454B
		1	RTU3 CURB DUCT HANGER
		1	24VAC FIRE INPUT
		1	RTU RETURN MOUNTED SMOKE DETECTOR AND SAMPLING TUBE - FACTORY INSTALLED
		1	RTU3 CONVENIENCE OUTLET (GFCI), 15 AMP - REQUIRES SEPARATE 120V CONNECTION. INCLUDES RECEPTACLE, COVER AND J-BOX
		1	RTU ECONDMIZER - FIXED ENTHALPY CONTROL
		1	RTU3 ECONDMIZER BARMETRIC RELIEF
		1	RTU INTAKE/RETURN DAMPER - MANUAL CONTROL VIA HMI
		1	RTU3 HAIL GUARD
		1	RTU3 DOWN RETURN
		1	REMOTE TEMPERATURE AND HUMIDITY SPACE SENSOR
		1	VAV PACKAGE W/ 0-10VDC INPUT CONTROL (S71 VFD INCLUDED)
		1	VFD FACTORY MOUNTED AND WIRED IN RTU COMMERCIAL CONTROL VESTIBULE
1	2" METAL MESH FILTERS FOR RTU3 OUTDOOR INTAKE		
1	5 YEAR ENTIRE UNIT PARTS WARRANTY, 10 YEAR ENTIRE UNIT PARTS WARRANTY WITH REMOTE MONITORING AND CAPTIVEAIRE SERVICE CONTRACT, 25 YEAR STAINLESS STEEL FURNACE PARTS WARRANTY (SEE ADDITIONAL DETAILS)		
1	EXTERIOR GAS CONNECTION PROVIDED BY FACTORY WITH QUICK SEAL AND ANTI-ROTATION BRACKET		

HMI SCHEDULE				
UNIT NUMBER	HMI #	HMI LOCATION	TEMP AVERAGING	MODBUS ADDRESS
FAN #5	HMI #1 - UNIT	IN UNIT	NOT AVERAGED	55
FAN #5	HMI #2 - SPACE		AVERAGED	56
FAN #6	HMI #1 - UNIT	IN UNIT	NOT AVERAGED	55
FAN #6	HMI #2 - SPACE		AVERAGED	56

REVISIONS

DESCRIPTION	DATE:



**CAPTIVE AIR**  
 Florida National Accounts  
 www.captiveaire.com  
 239 N Hunt Club Blvd., STE 201, Longwood, FL 32779 PHONE: (407) 682-3100 FAX: 9192275913 EMAIL: reg80@captiveaire.com

CULVERS HIGHPOINT NC REV1  
 HIGH POINT, NC, 27265

DATE: 5/8/2025

DWG.#:  
7327017

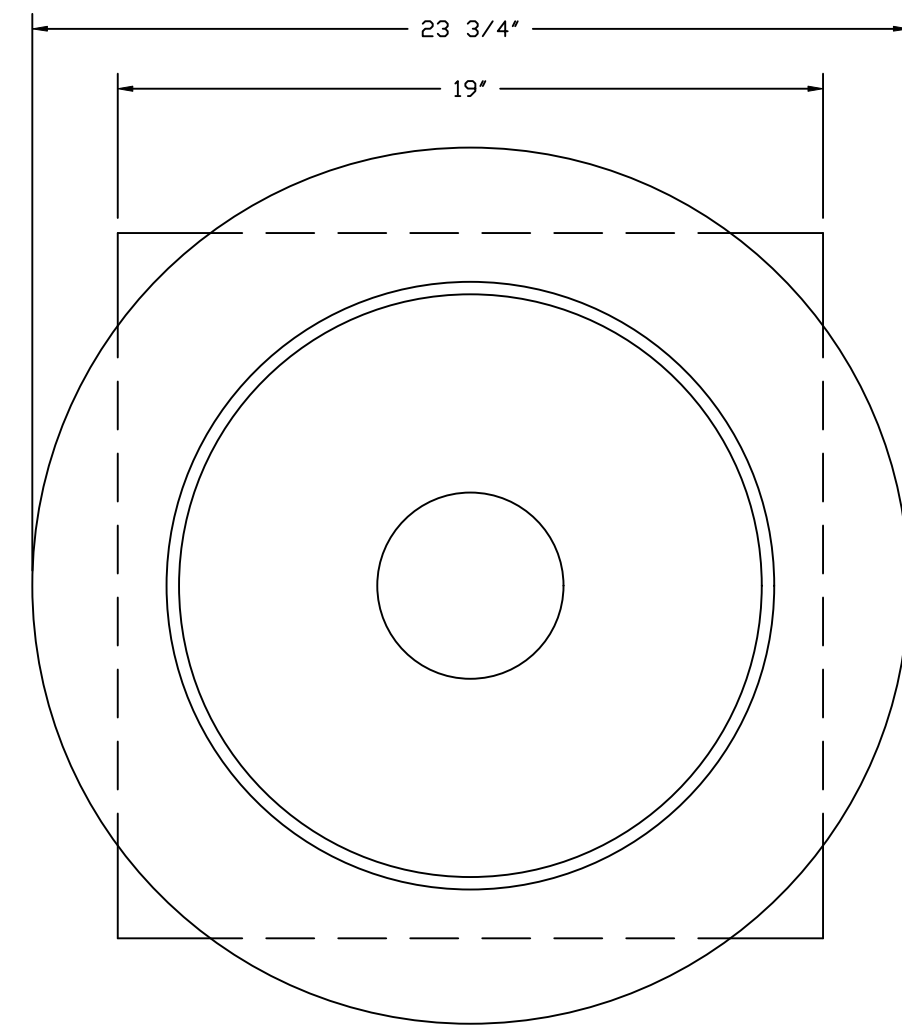
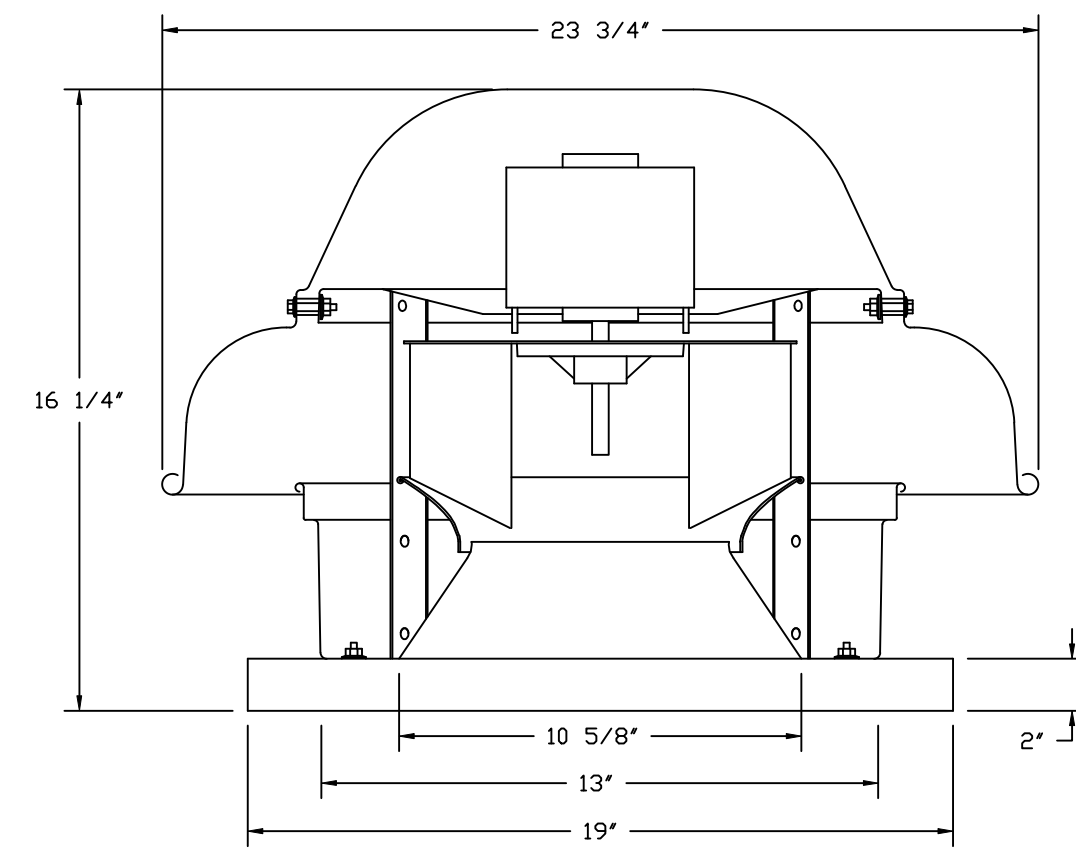
DRAWN BY: studdy jr

SCALE:  
3/4" = 1'-0"

MASTER DRAWING

SHEET NO.  
6

FAN #1\_DR12HFA - EXHAUST FAN (PRV-1 RESTROOM)



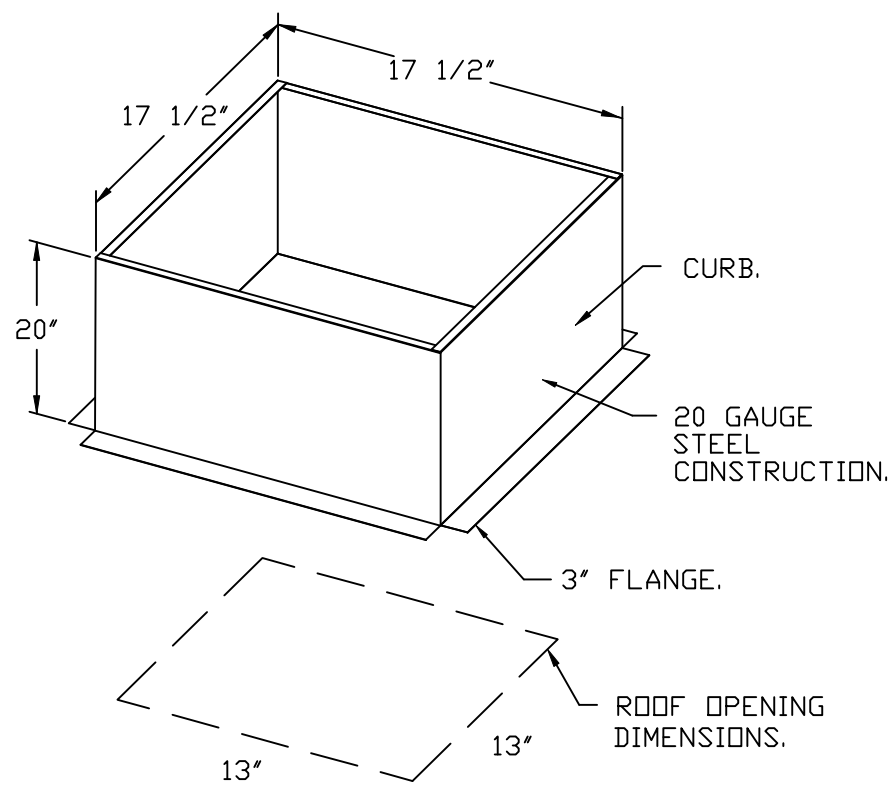
TOP VIEW

**FEATURES:**

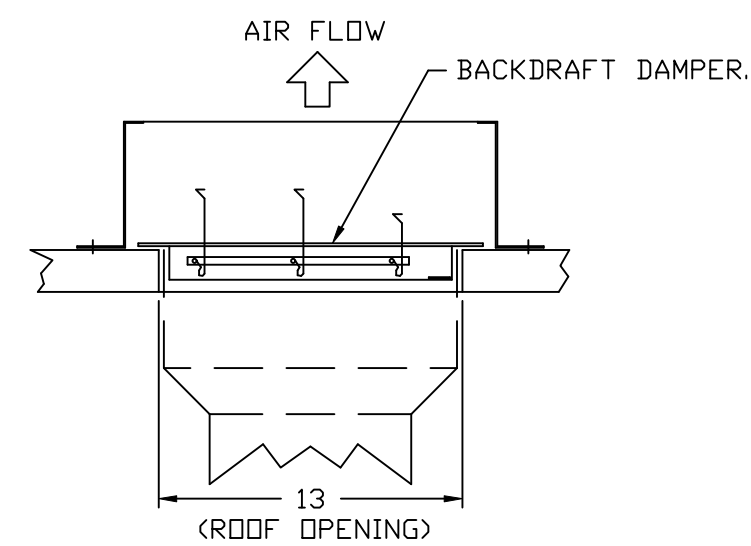
- DIRECT DRIVE CONSTRUCTION (NO BELTS/PULLEYS).
- ROOF MOUNTED FANS.
- UL705.
- SAFETY DISCONNECT.
- STANDARD BIRD SCREEN.
- SPEED CONTROL.
- THERMAL OVERLOAD PROTECTION (SINGLE PHASE).

**OPTIONS**

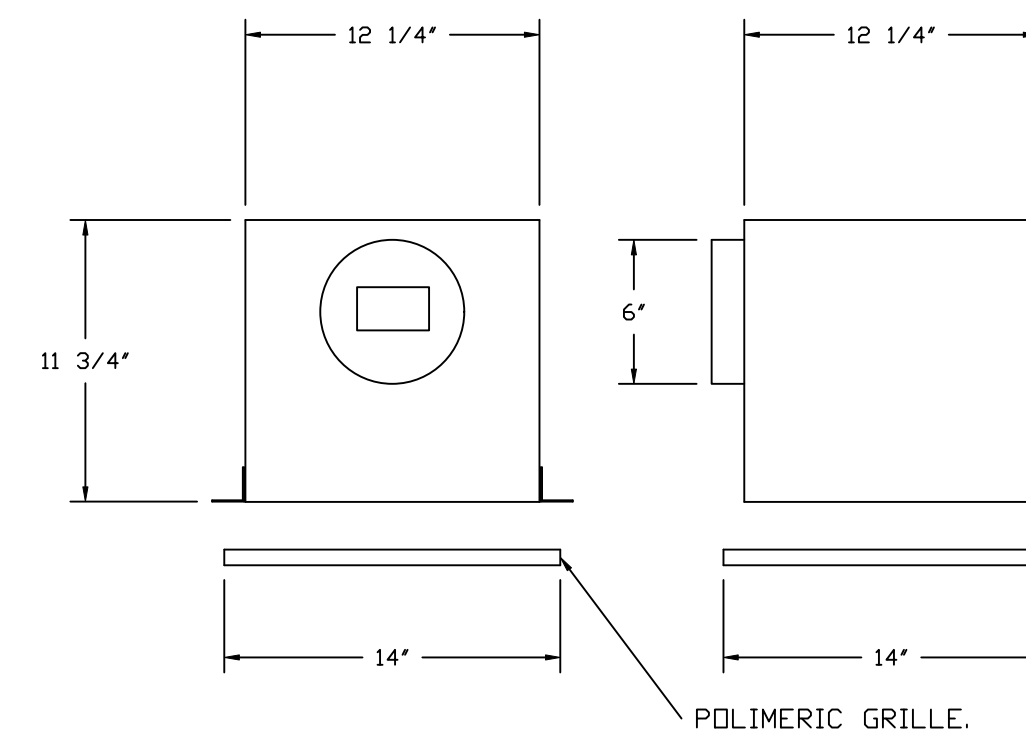
- 1 12-BDD DAMPER.
- ECM WIRING PACKAGE - EXHAUST - MANUAL OR 0-10VDC REFERENCE SPEED CONTROL -MSC- (TELCD), CCW ROTATION.
- FULL CRATING FOR EXHAUST FANS.
- 2 YEAR PARTS WARRANTY.



**BACKDRAFT DAMPER INSTALLATION**



FAN #4\_CFA 100CA - EXHAUST FAN (EF-1)



**FEATURES:**

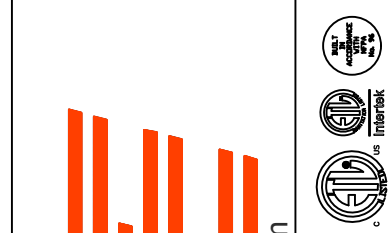
- 1/2" ACOUSTIC HOUSING INSULATION.
- 20 GA. GALVANIZED STEEL HOUSING.
- PLUG TYPE DISCONNECT.
- BUILD IN AUTOMATIC BACKDRAFT DAMPER.
- AMCA SOUND & AIR CERTIFIED.
- UL LISTED.
- CAN BE INSTALLED IN CEILING OR WALL.
- 8 POSITION MOUNTING BRACKETS.

**OPTIONS**

- FAN CONTROL - 3 AMP WHITE SPEED CONTROL FOR CFA CEILING FAN.
- MGI - METAL GRILLE KIT.
- 2 YEAR PARTS WARRANTY.

**REVISIONS**

DESCRIPTION	DATE:



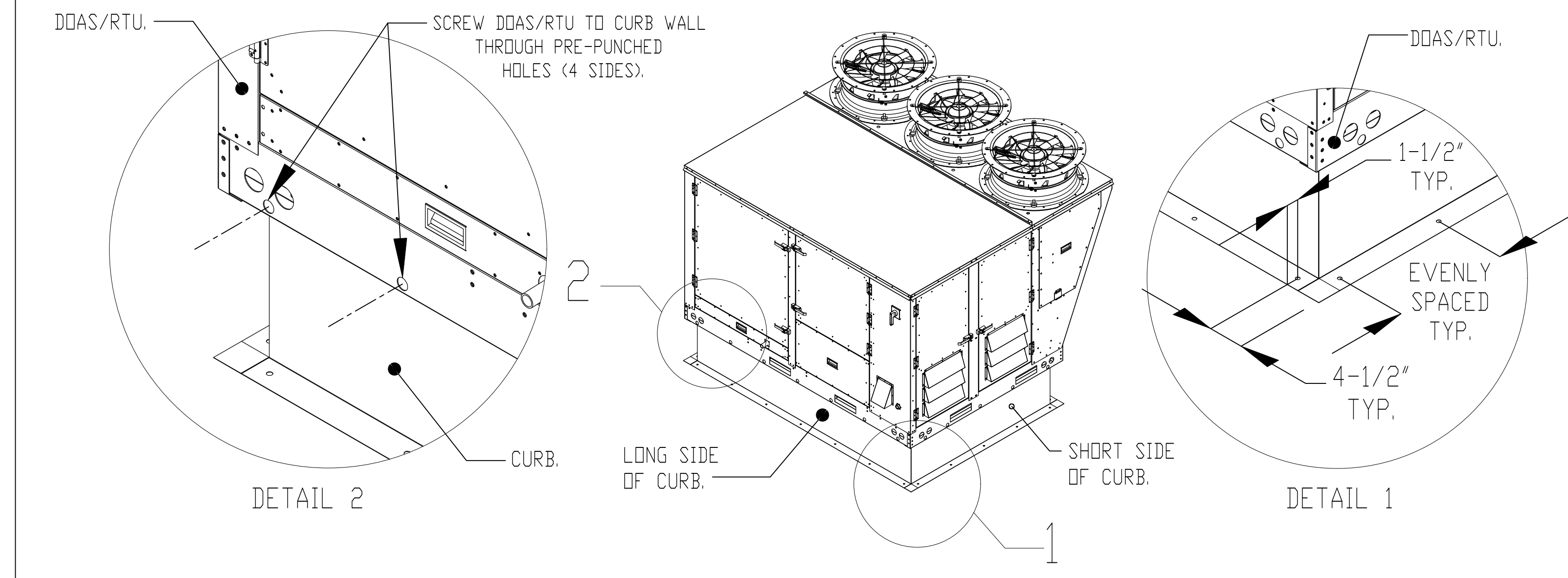
CULVERS HIGHPOINT NC REV1  
HIGH POINT, NC, 27265

DATE: 5/8/2025  
DWG.#: 7327017  
DRAWN BY: sluddy jr  
SCALE: 3/4" = 1'-0"  
MASTER DRAWING

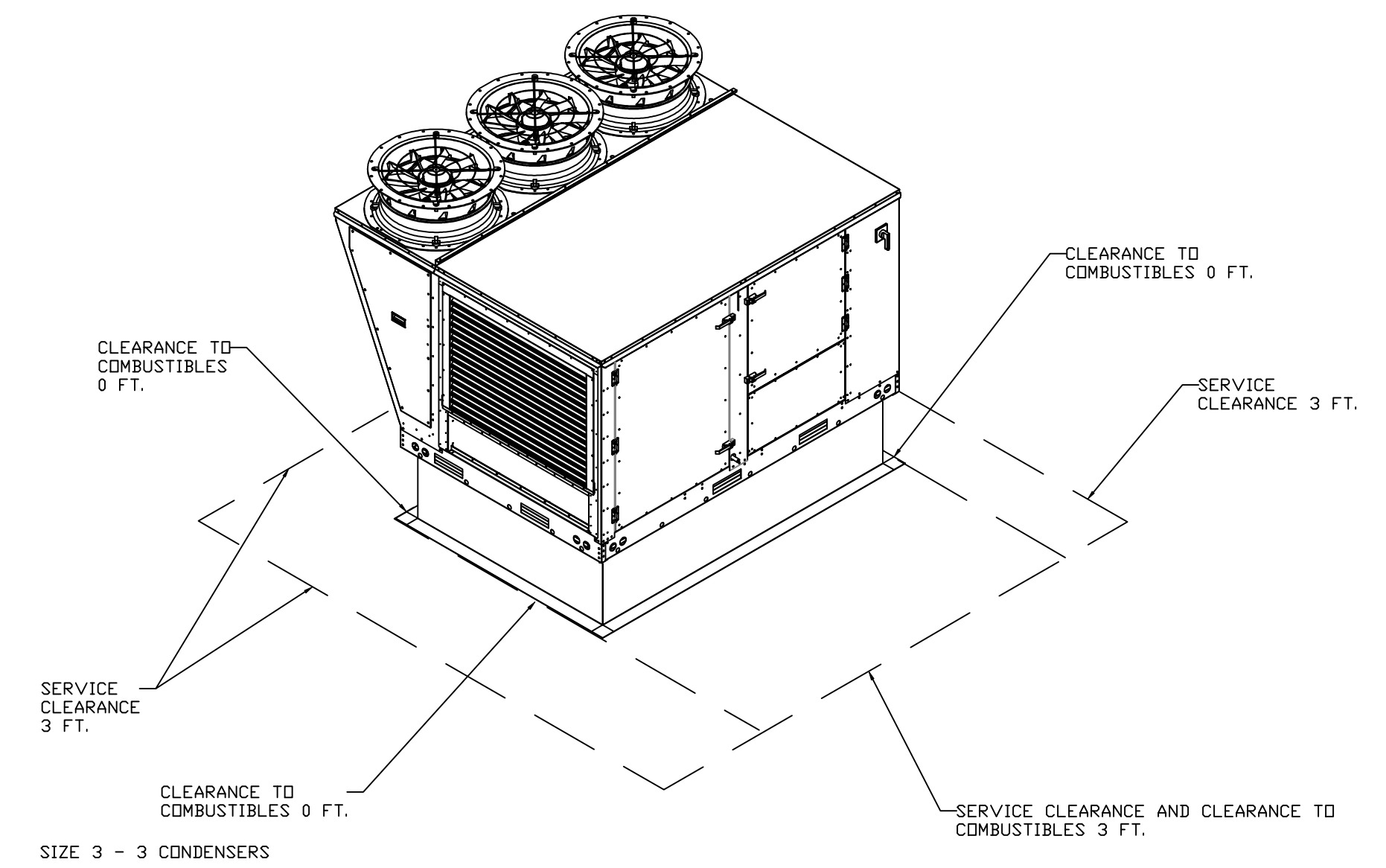
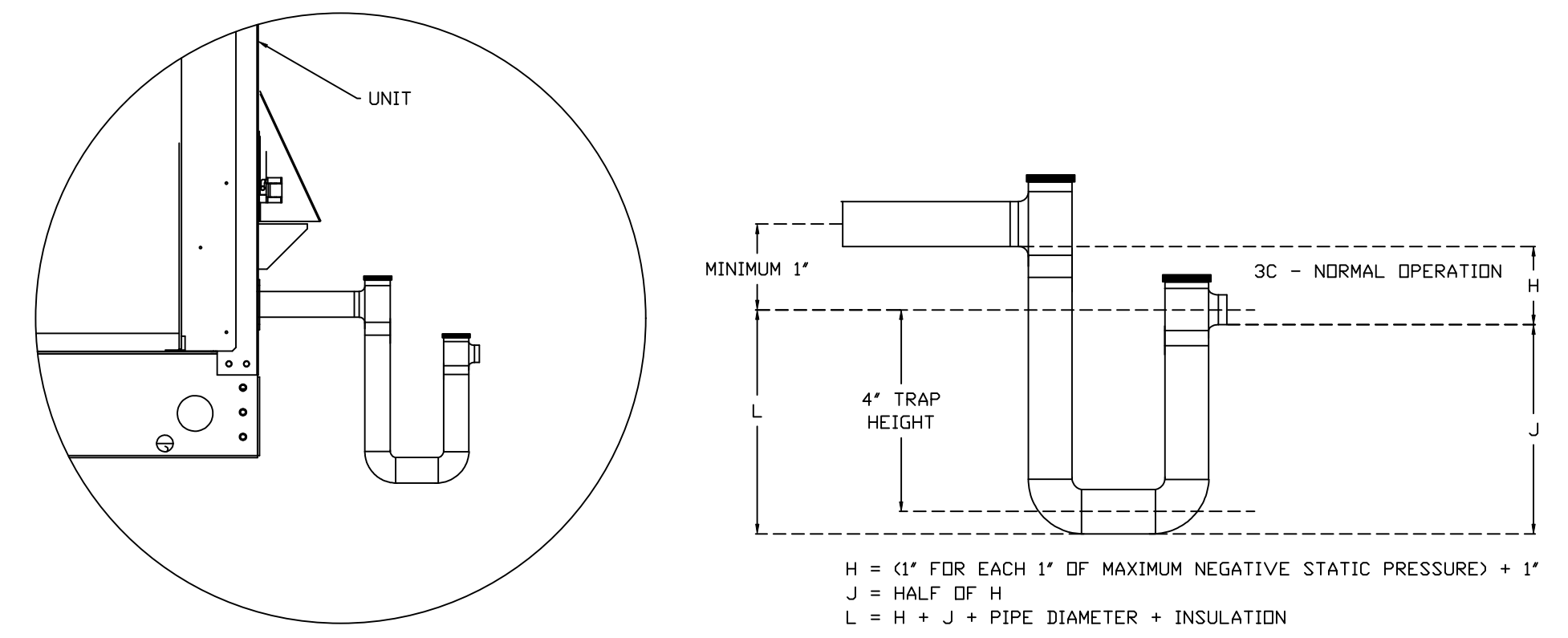
SHEET NO.  
7

# TYPICAL DOAS/RTU ROOF MOUNTING INSTALLATION INSTRUCTIONS

1. SECURE THE CURB TO THE ROOF FRAMING MEMBERS BY DRILLING 1/4" PILOT HOLES IN THE CURB FLANGES AT LOCATIONS SHOWN IN THE DIAGRAM BELOW. USING 3/8" X 2" ZINC PLATED STEEL LAG BOLTS, AND ZINC PLATED WASHERS, SCREW THROUGH THE CURB FLANGES AND INTO THE ROOF FRAMING MEMBERS. A MINIMUM OF (5) LAG BOLTS ON EACH SHORT SIDE, AND (7) LAG BOLTS ON EACH LONG SIDE IS REQUIRED.
2. SECURE THE UNIT BASE TO THE SIDE WALLS OF THE CURB USING (24) 1/4"-14 X 2" SELF-DRILLING, STEEL ZINC PLATED SCREWS. PRE-PUNCHED HOLES HAVE BEEN PROVIDED FOR EACH SCREW LOCATION.



RTU CONDENSATE DRAIN TRAP DETAIL



REVISIONS	
DESCRIPTION	DATE

www.captiveaire.com

**CAPTIVE**

Florida National Accounts  
239 N Hunt Club Blvd., STE 201, Longwood, FL 32779 PHONE: (407) 682-3100 FAX: 9192275913 EMAIL: reg80@captiveaire.com

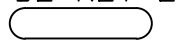
CULVERS HIGHPOINT NC REV1  
HIGH POINT, NC, 27265

DATE: 5/8/2025  
DWG.#: 7327017  
DRAWN BY: sluddy jr  
SCALE: 3/4" = 1'-0"  
MASTER DRAWING

SHEET NO.  
8

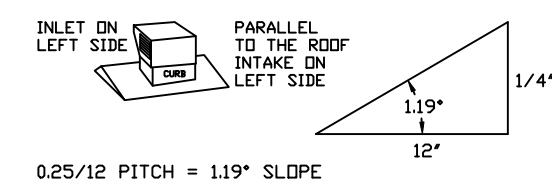
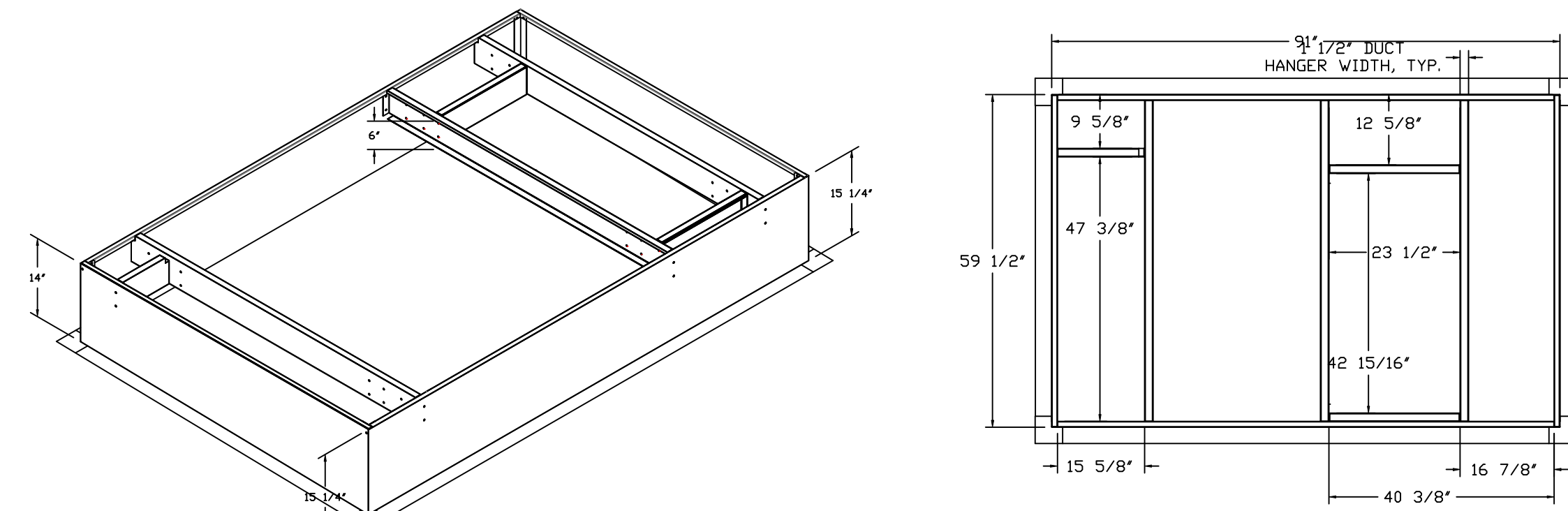
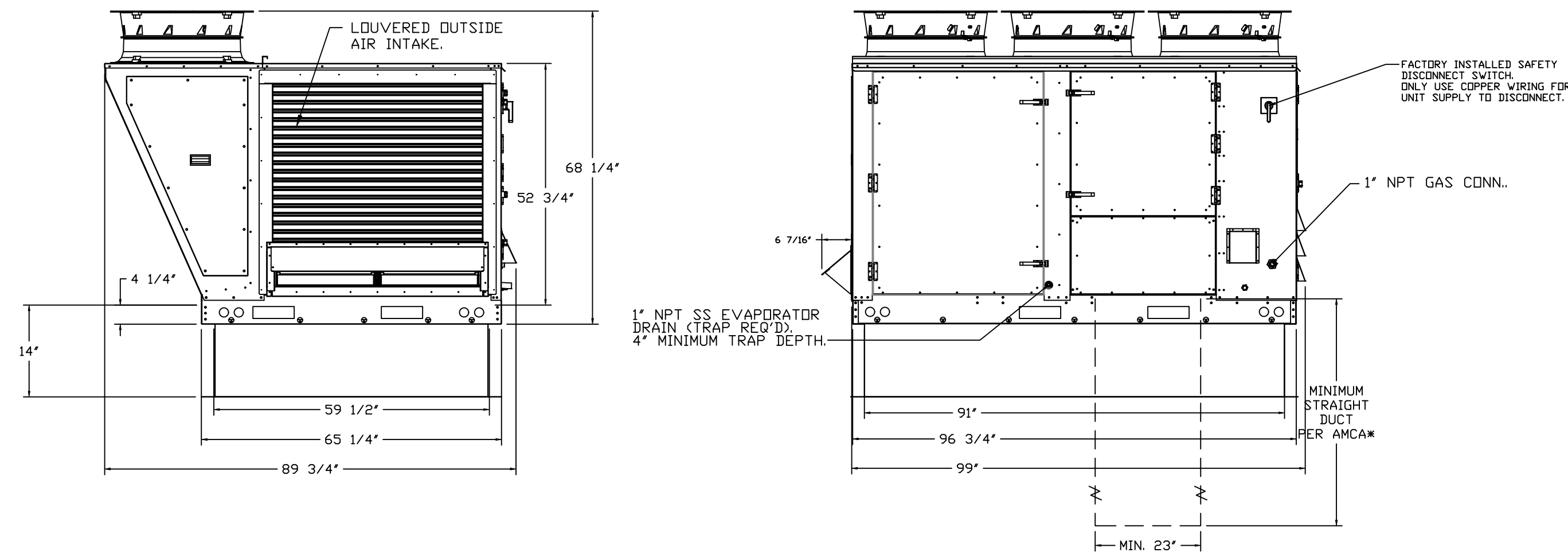
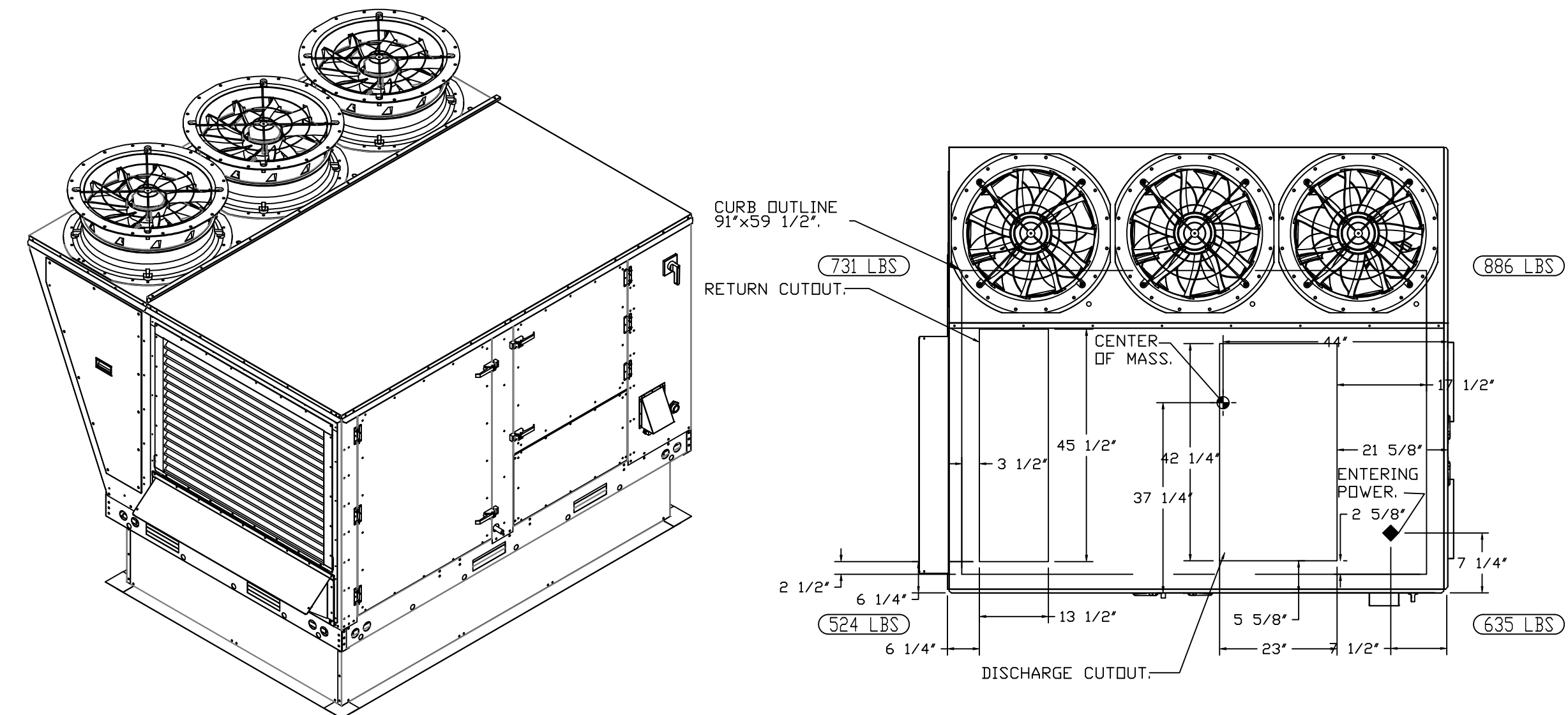
FAN #5 CAS-HVAC3-1.300-24MF-20T - HEATER (RTU-1 DINING)

NOTES:

- DO NOT OBSTRUCT OUTSIDE AIR INLET, OUTSIDE AIR COIL OR OUTSIDE AIR FAN.
-  DENOTES CORNER WEIGHT.
- ROOF OPENING MUST BE 2" SMALLER THAN CURB DIMENSIONS IN BOTH DIRECTIONS.
- CONNECTION FROM BREAKER TO UNITS SAFETY DISCONNECT SWITCH TO BE COPPER WIRE ONLY.
- EXTERIOR GAS CONNECTION PROVIDED BY FACTORY WITH QUICK SEAL AND ANTI-ROTATION BRACKET.

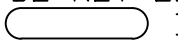
\*NOTE: INTEGRAL CO2 MONITORING AND CONTROL CAPABILITIES FOR ALL SPACE MOUNTED THERMOSTATS.

\*NOTE: SUPPLY DUCT MUST BE INSTALLED TO MEET SMACNA STANDARDS. A MINIMUM STRAIGHT DUCT LENGTH MUST BE MAINTAINED DOWNSTREAM OF UNIT DISCHARGE AS OUTLINED IN AMCA PUBLICATION 201. WHEN USING RECTANGULAR DUCTWORK, ELBOWS MUST BE RADIUS THROAT, RADIUS BACK WITH TURNING VANES. FLEXIBLE DUCTWORK AND SQUARE THROAT/SQUARE BACK ELBOWS SHOULD NOT BE USED. ANY TRANSITION AND/OR TURNS IN THE DUCTWORK WILL CAUSE SYSTEM EFFECT. SYSTEM EFFECT WILL DRASTICALLY INCREASE STATIC PRESSURE AND REDUCE AIRFLOW. DO NOT RELY ON UNIT TO SUPPORT DUCT IN ANY WAY. FAILURE TO PROPERLY SIZE DUCTWORK MAY CAUSE SYSTEM EFFECTS AND REDUCE PERFORMANCE OF THE EQUIPMENT.  
SUGGESTED STRAIGHT DUCT SIZE IS 23" x 39".



FAN #6 CAS-HVAC3-1.300-24MF-20T - HEATER (RTU-1 KITCHEN)

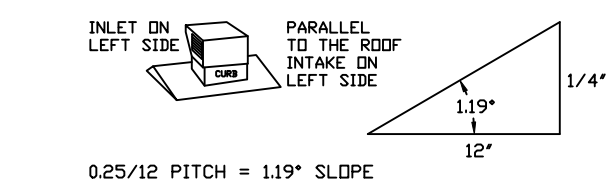
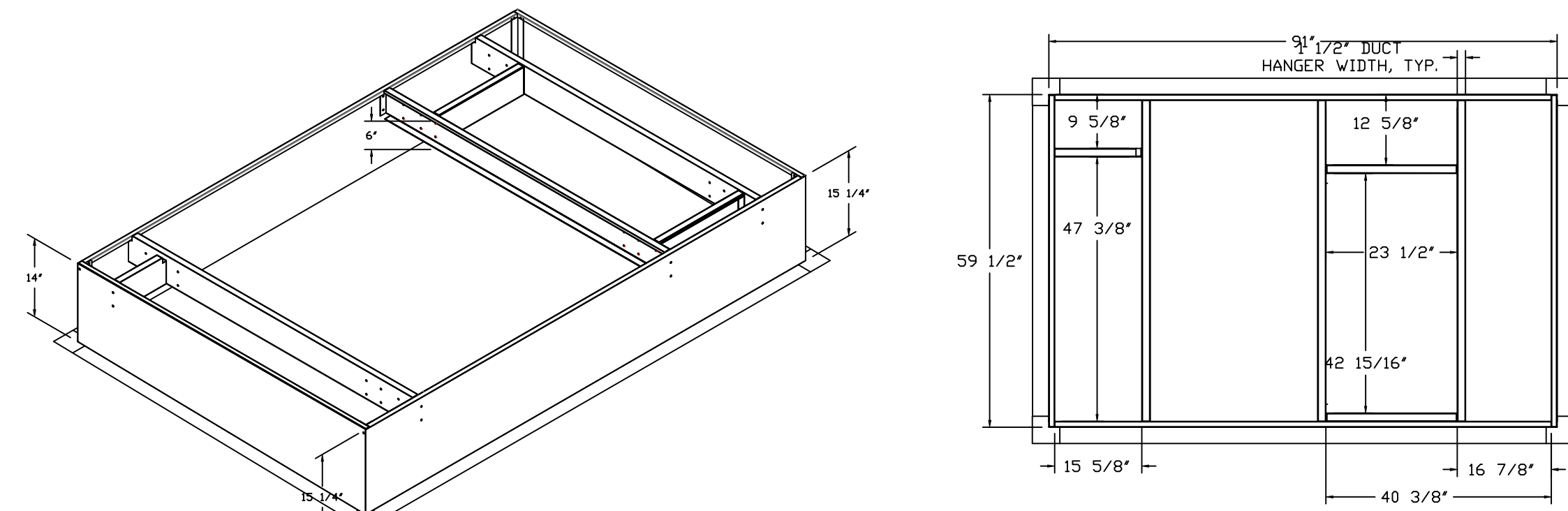
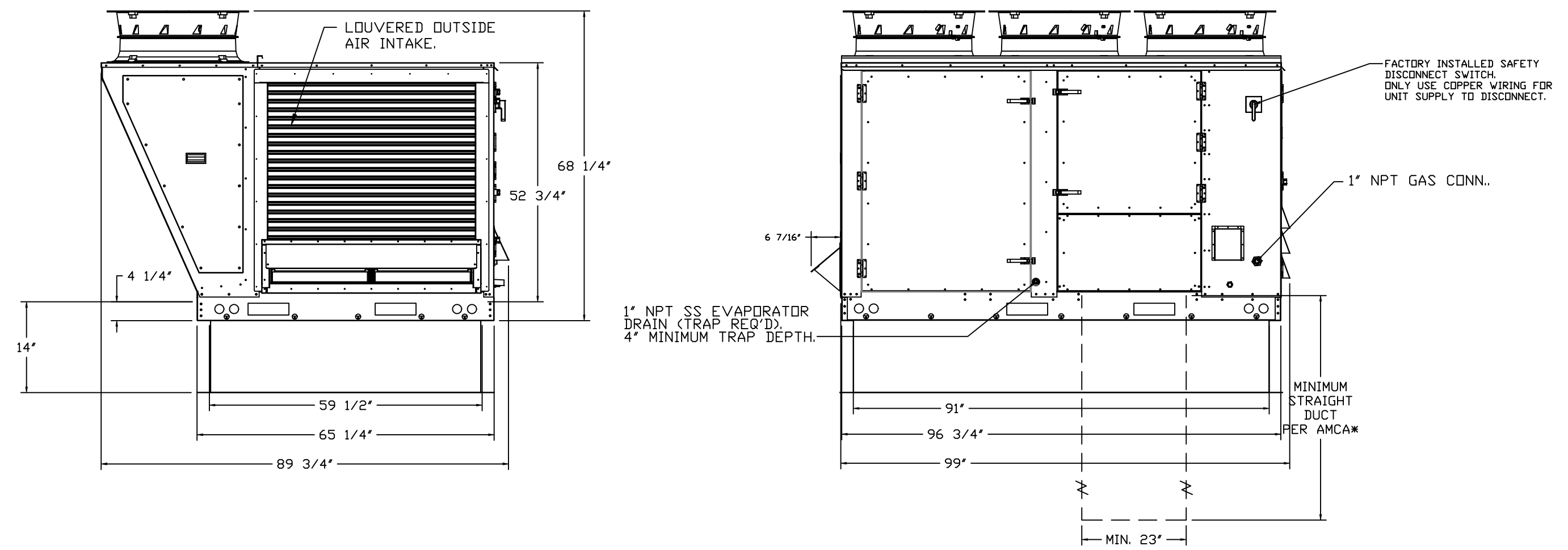
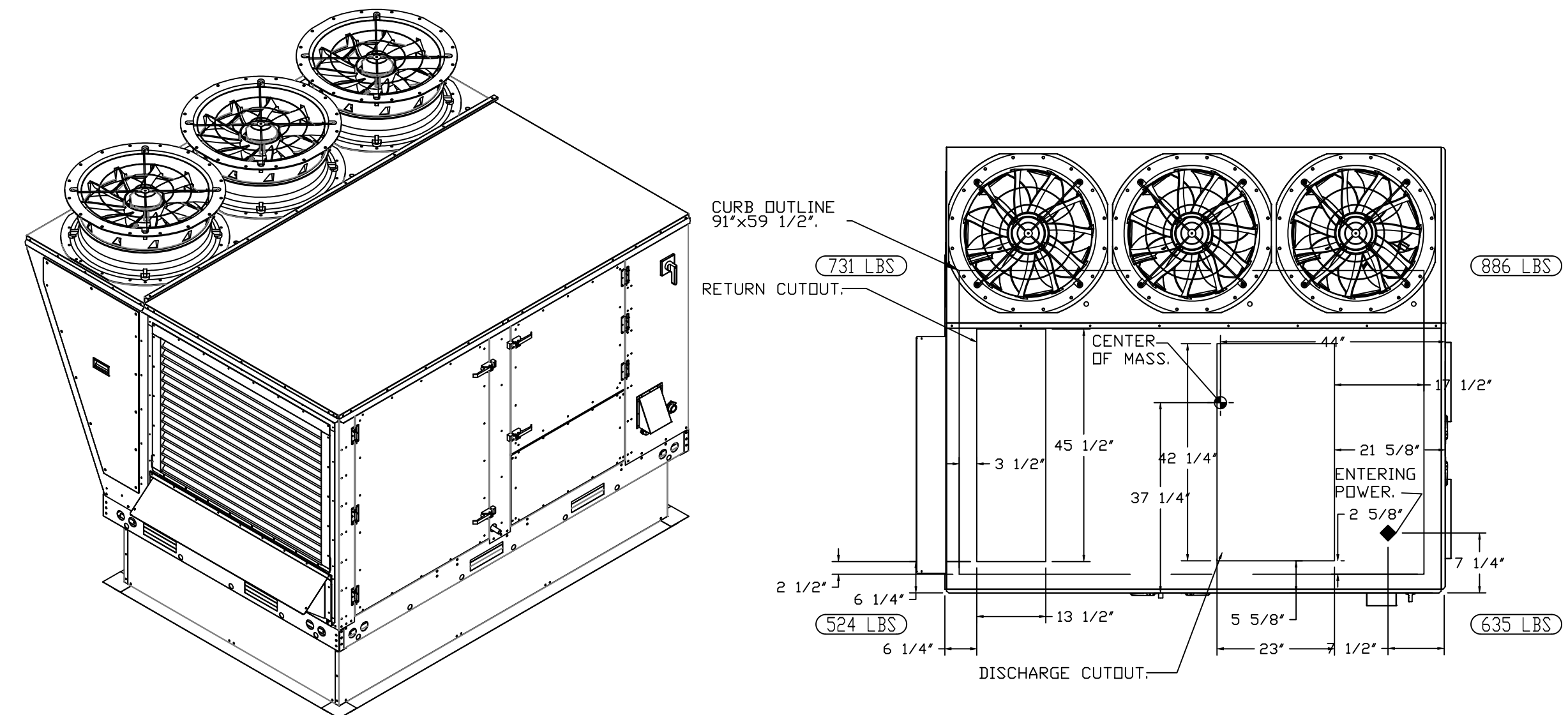
NOTES:

- DO NOT OBSTRUCT OUTSIDE AIR INLET, OUTSIDE AIR COIL OR OUTSIDE AIR FAN.
-  DENOTES CORNER WEIGHT.
- ROOF OPENING MUST BE 2" SMALLER THAN CURB DIMENSIONS IN BOTH DIRECTIONS.
- CONNECTION FROM BREAKER TO UNITS SAFETY DISCONNECT SWITCH TO BE COPPER WIRE ONLY.
- EXTERIOR GAS CONNECTION PROVIDED BY FACTORY WITH QUICK SEAL AND ANTI-ROTATION BRACKET.

\*NOTE: INTEGRAL CO2 MONITORING AND CONTROL CAPABILITIES FOR ALL SPACE MOUNTED THERMOSTATS.

**\*NOTE: THIS UNIT IS INTENDED TO SERVE IN PLACE OF THE KITCHEN HVAC ROOF TOP UNIT (RTU) IN ADDITION TO PROVIDING APPROPRIATE MAKE-UP AIR FOR THE KITCHEN HOOD(S). RTU AND ASSOCIATED DUCTWORK SHALL BE REMOVED FROM SCOPE UNLESS REQUIRED FOR INTERNAL LOAD ESTIMATES. FINAL DESIGN SHALL BE REVIEWED AND APPROVED BY THE ENGINEER OF RECORD.**

\*NOTE: SUPPLY DUCT MUST BE INSTALLED TO MEET SMACNA STANDARDS. A MINIMUM STRAIGHT DUCT LENGTH MUST BE MAINTAINED DOWNSTREAM OF UNIT DISCHARGE AS OUTLINED IN AMCA PUBLICATION 201. WHEN USING RECTANGULAR DUCTWORK, ELBOWS MUST BE RADIUS THROAT, RADIUS BACK WITH TURNING VANES. FLEXIBLE DUCTWORK AND SQUARE THROAT/SQUARE BACK ELBOWS SHOULD NOT BE USED. ANY TRANSITION AND/OR TURNS IN THE DUCTWORK WILL CAUSE SYSTEM EFFECT. SYSTEM EFFECT WILL DRASTICALLY INCREASE STATIC PRESSURE AND REDUCE AIRFLOW. DO NOT RELY ON UNIT TO SUPPORT DUCT IN ANY WAY. FAILURE TO PROPERLY SIZE DUCTWORK MAY CAUSE SYSTEM EFFECTS AND REDUCE PERFORMANCE OF THE EQUIPMENT.  
SUGGESTED STRAIGHT DUCT SIZE IS 23" x 39".



REVISIONS

DESCRIPTION	DATE



CULVERS HIGHPOINT NC REV1  
HIGH POINT, NC, 27265

DATE: 5/8/2025

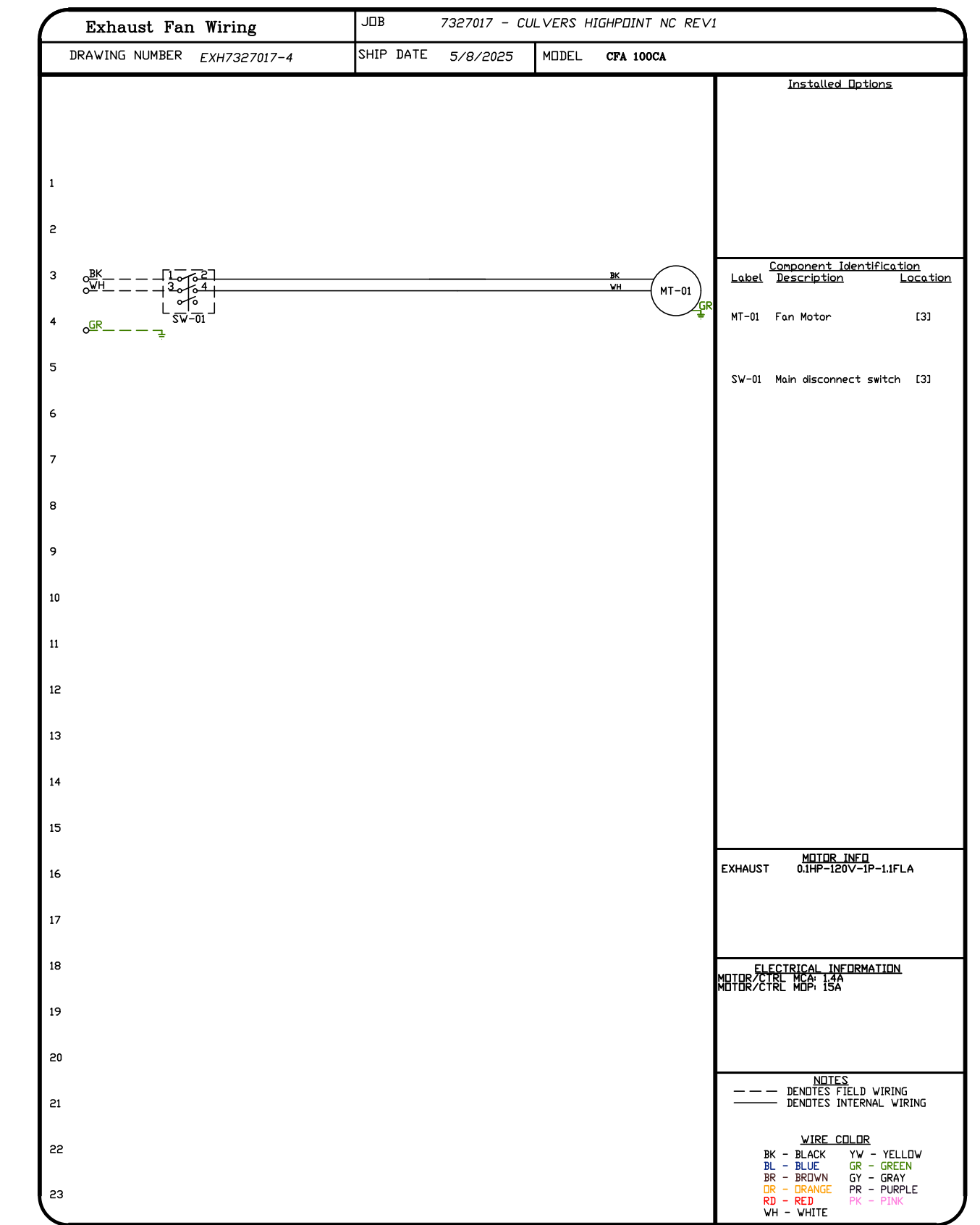
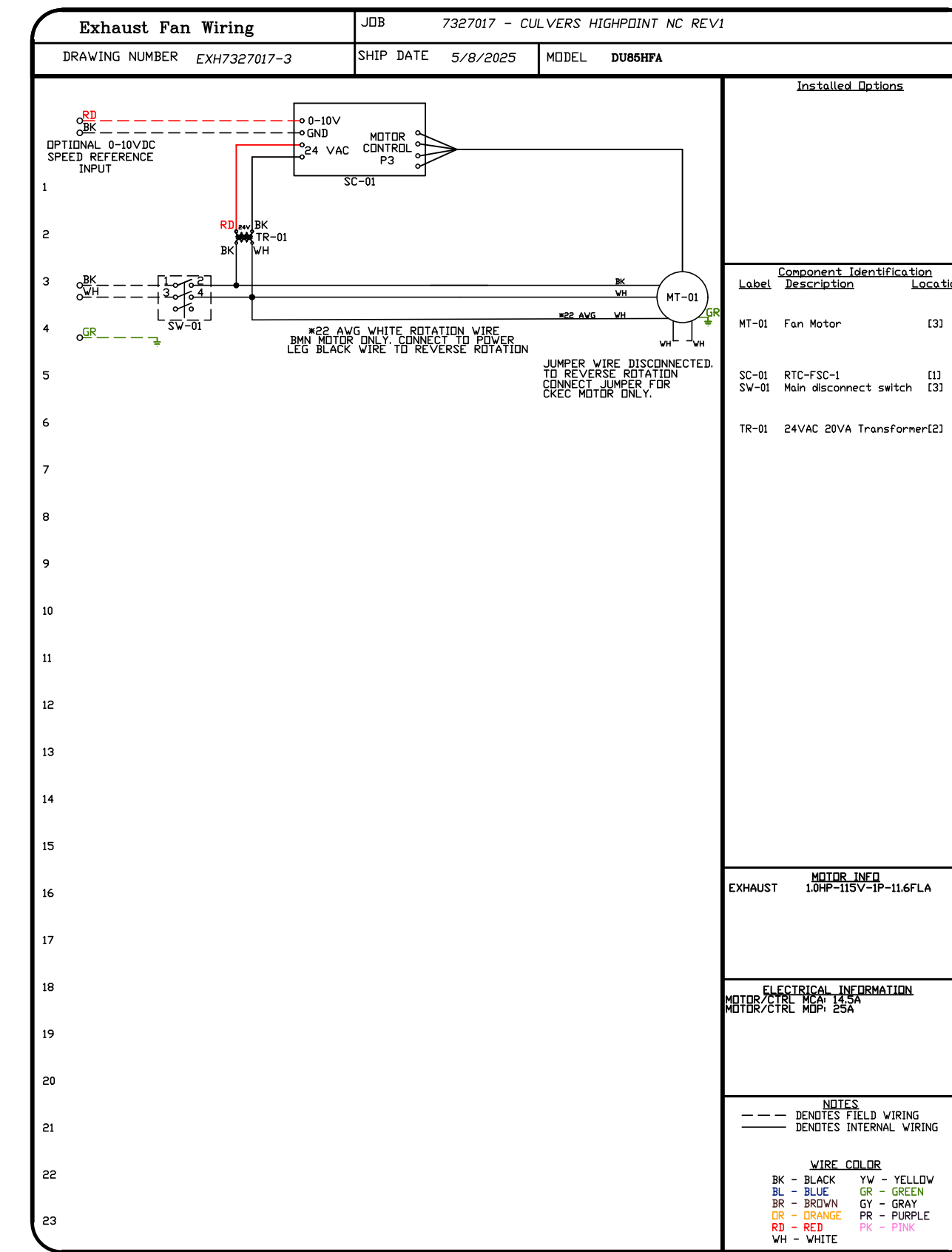
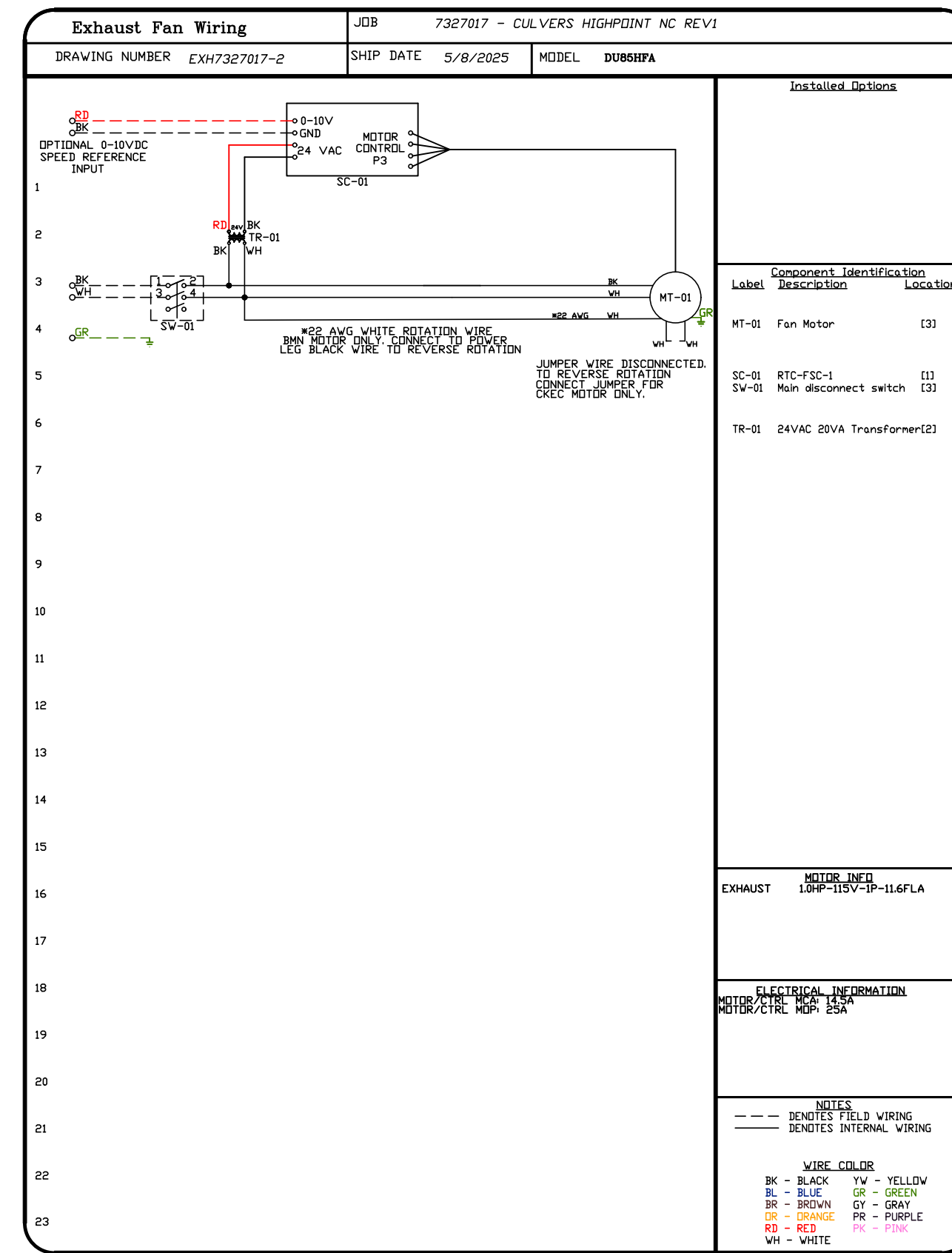
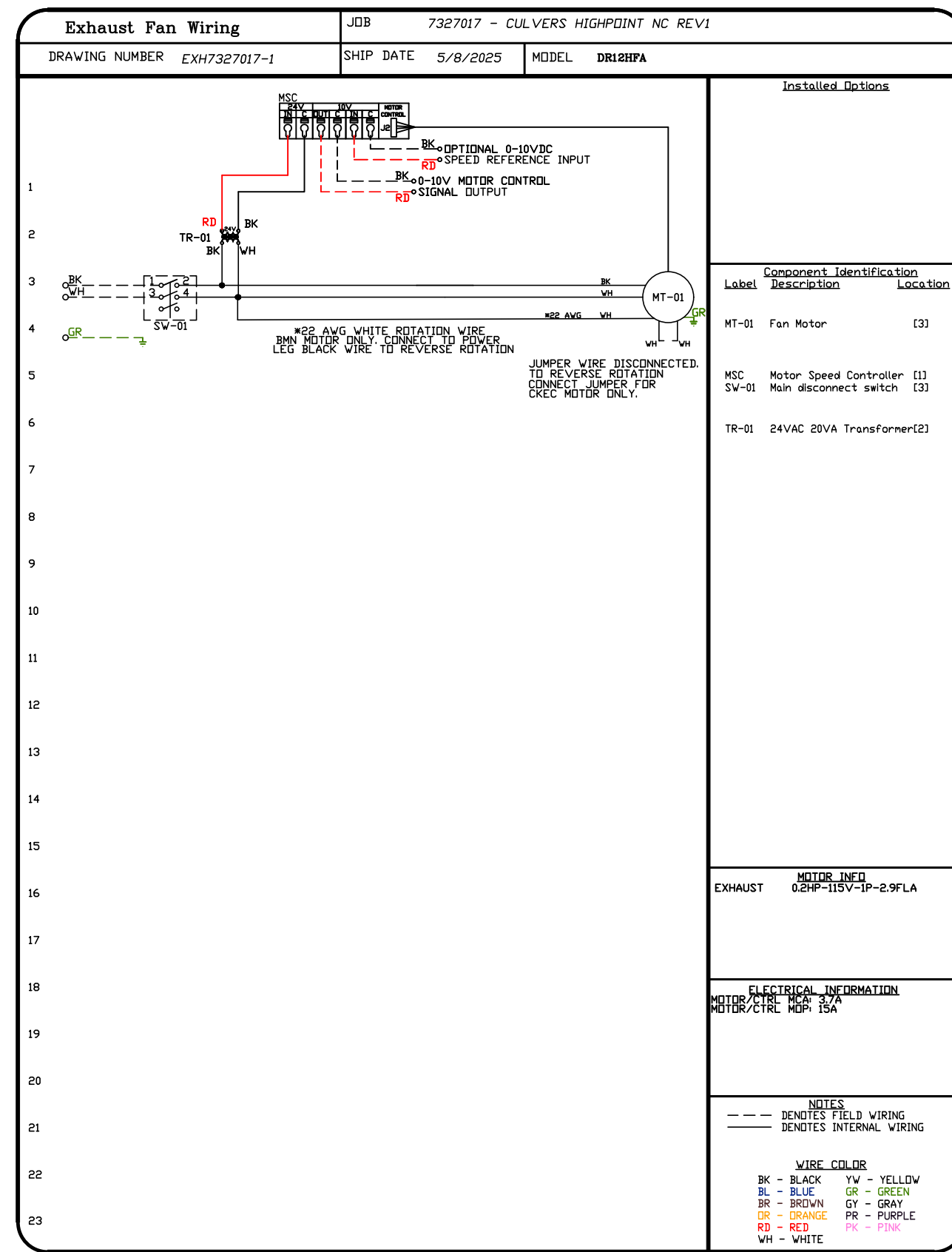
DWG.#: 7327017

DRAWN BY: sluddy jr

SCALE: 1/2" = 1'-0"

MASTER DRAWING

SHEET NO. 9



REVISIONS	
DESCRIPTION	DATE

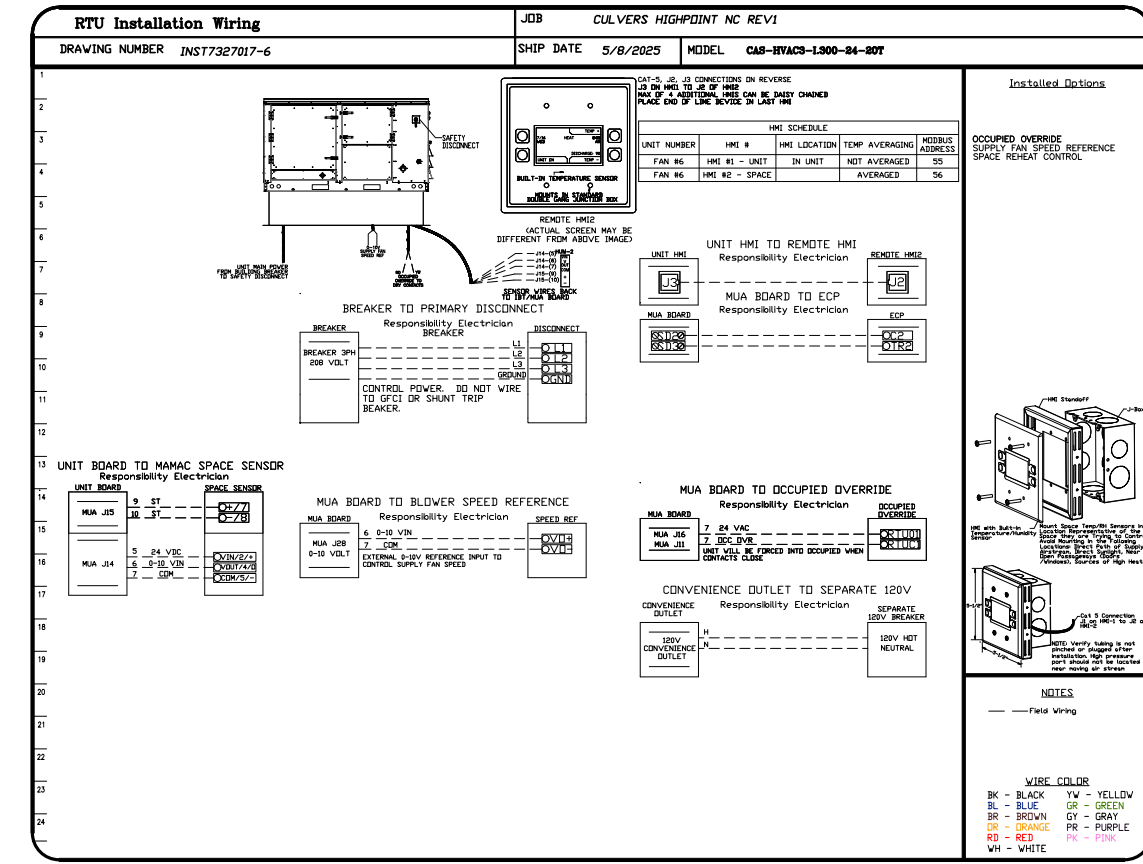
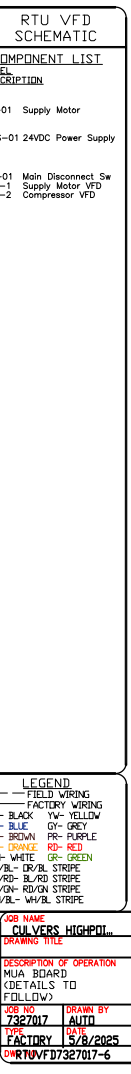
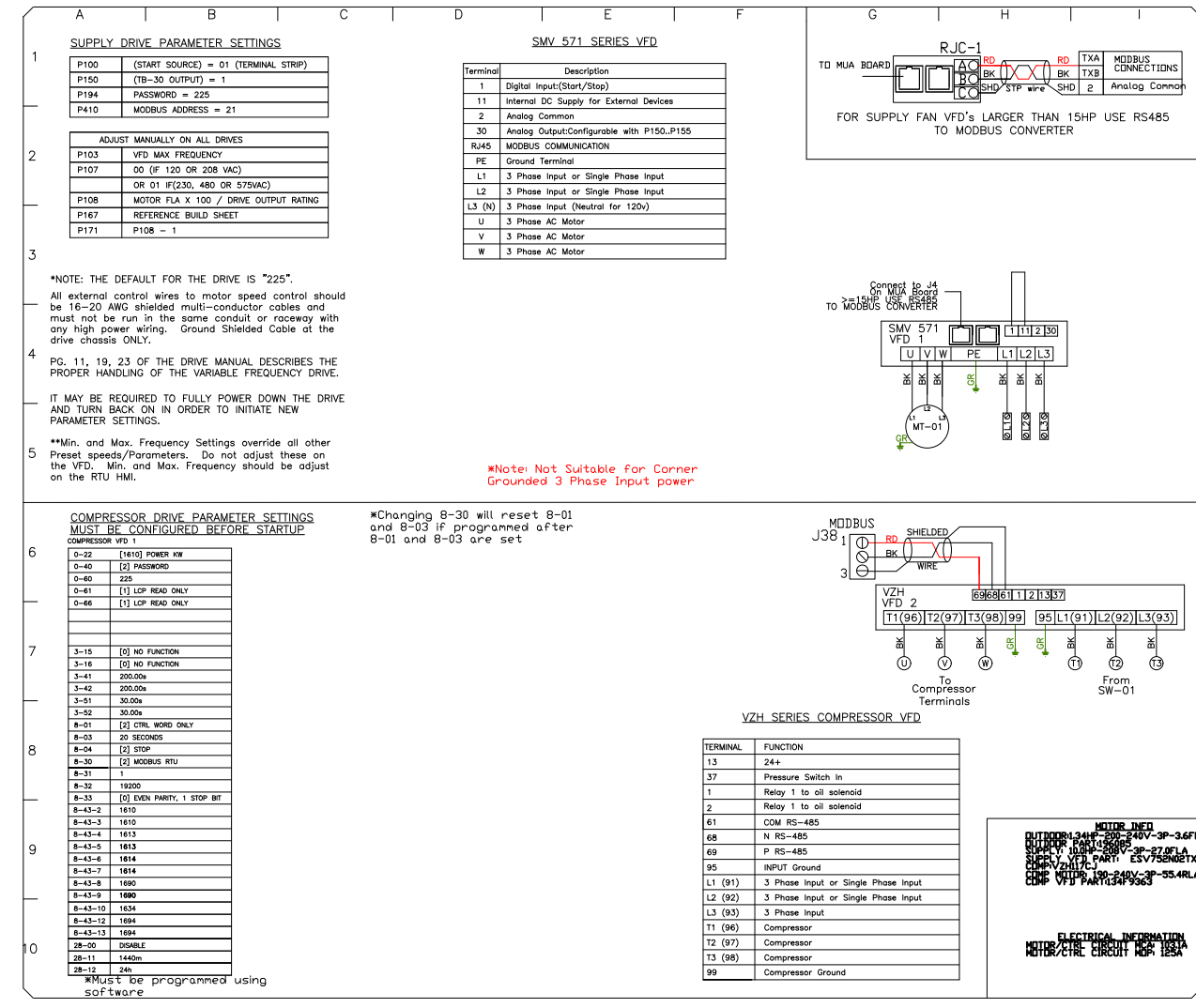
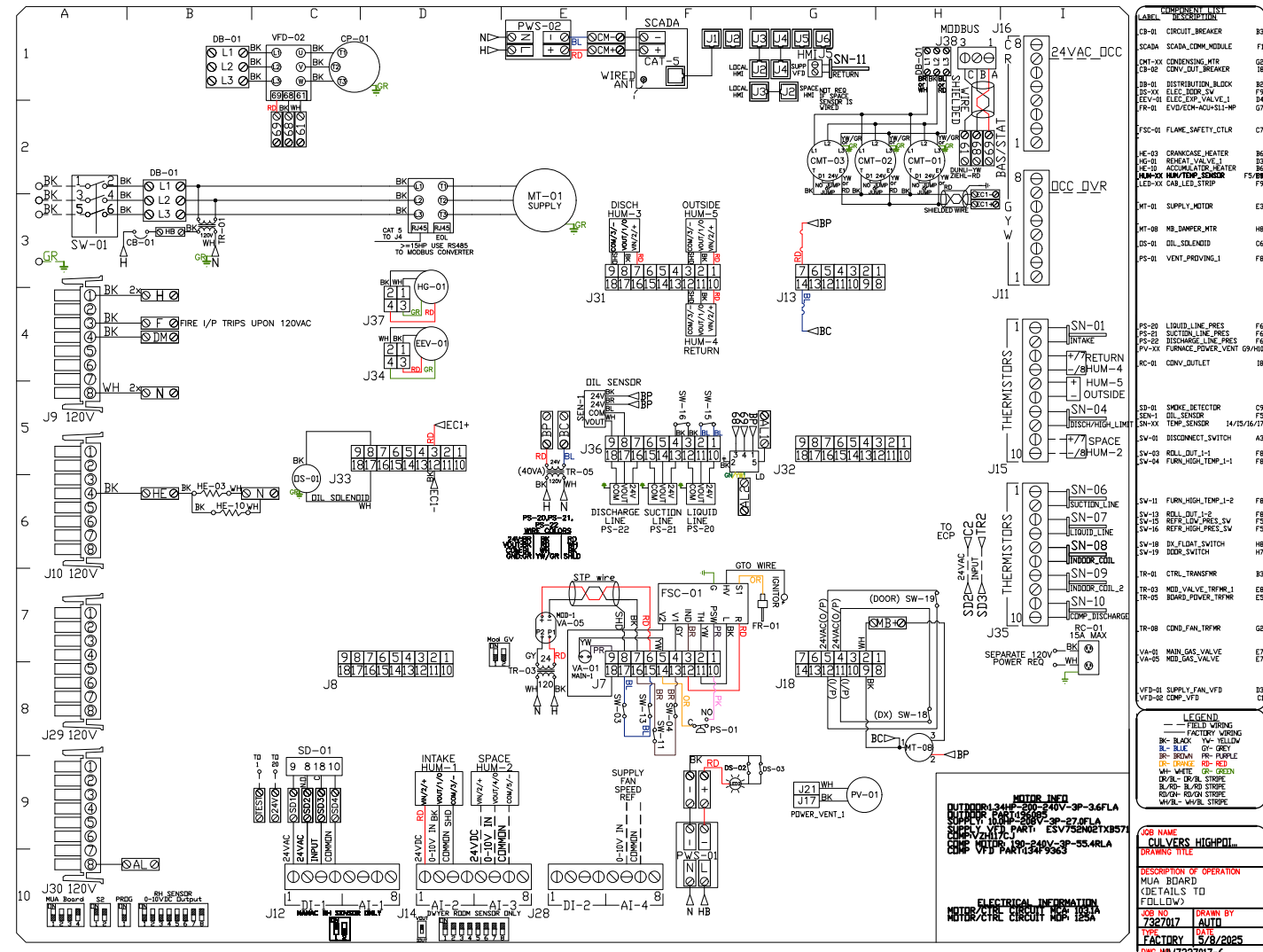
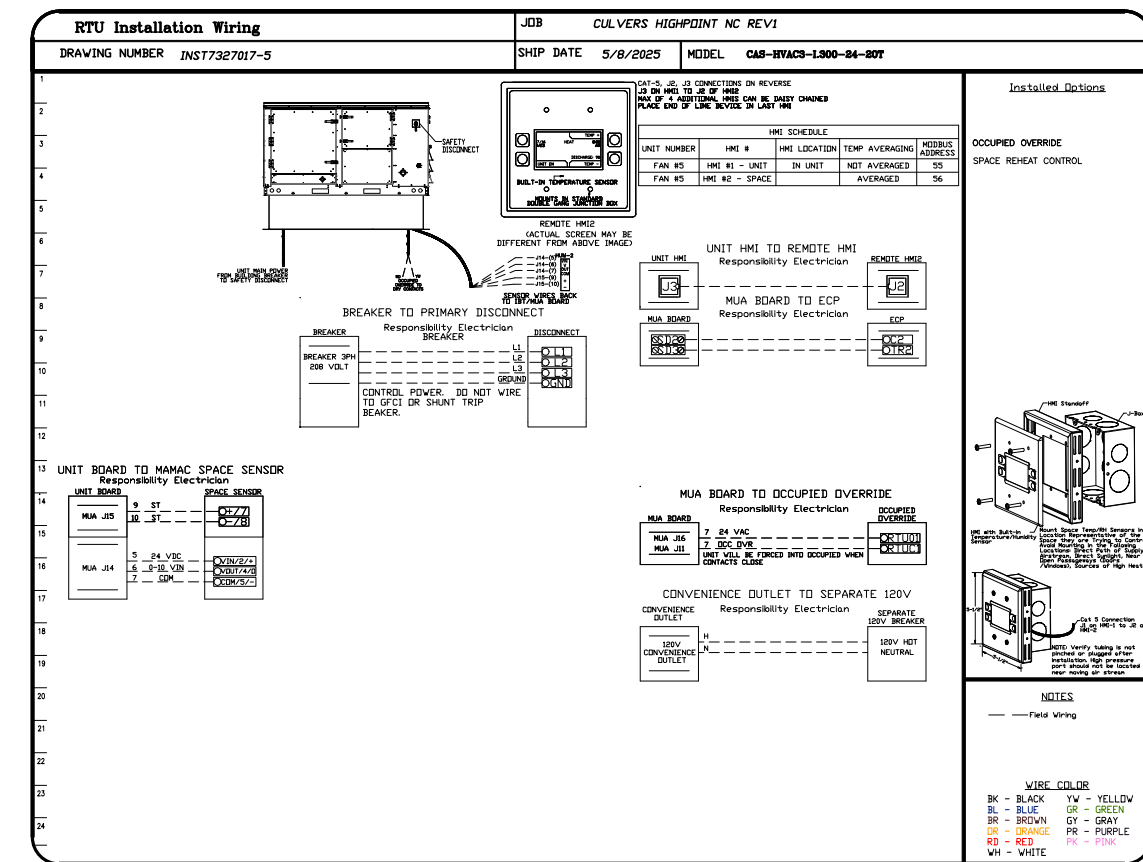
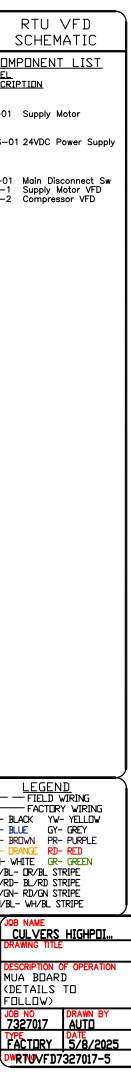
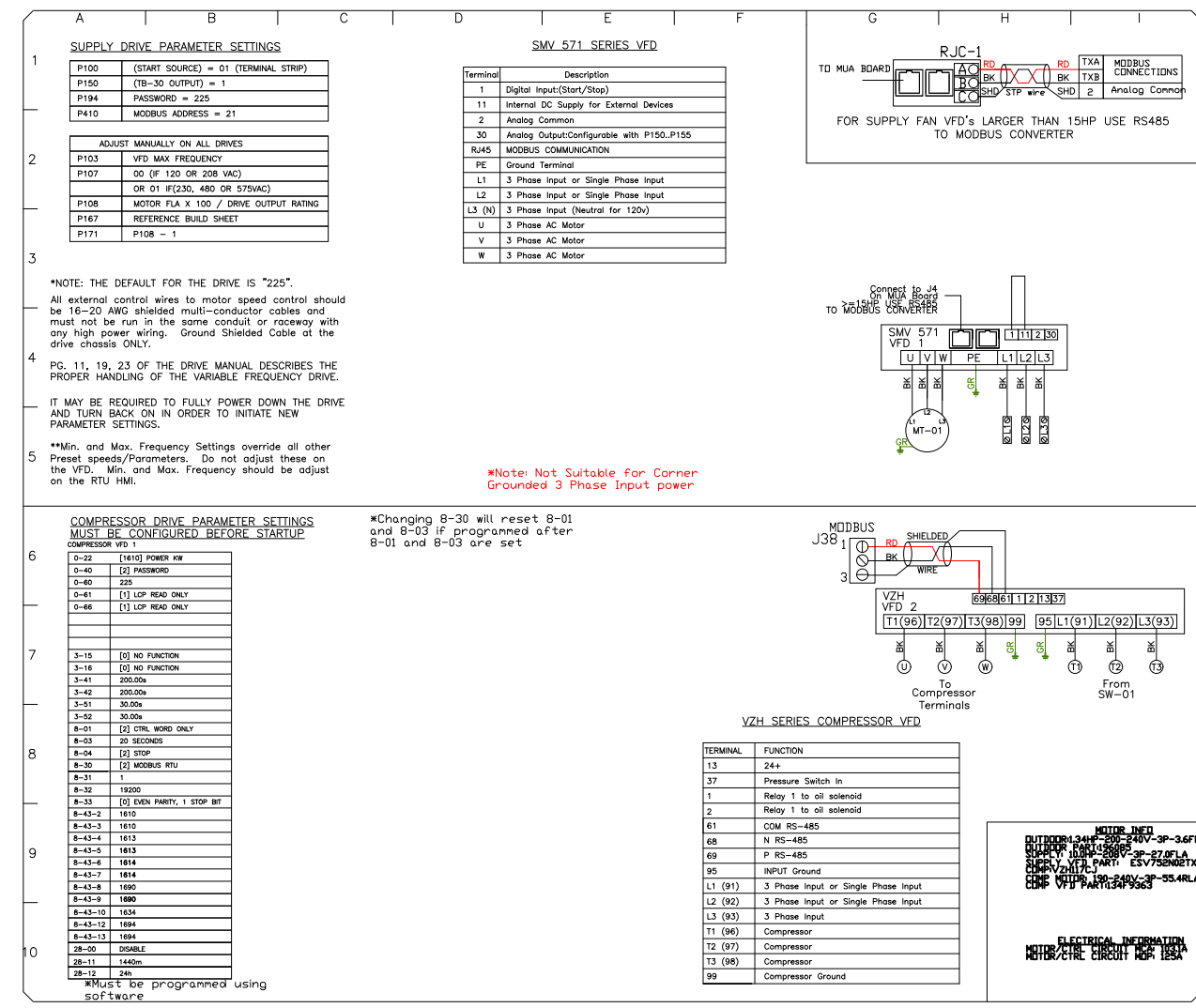
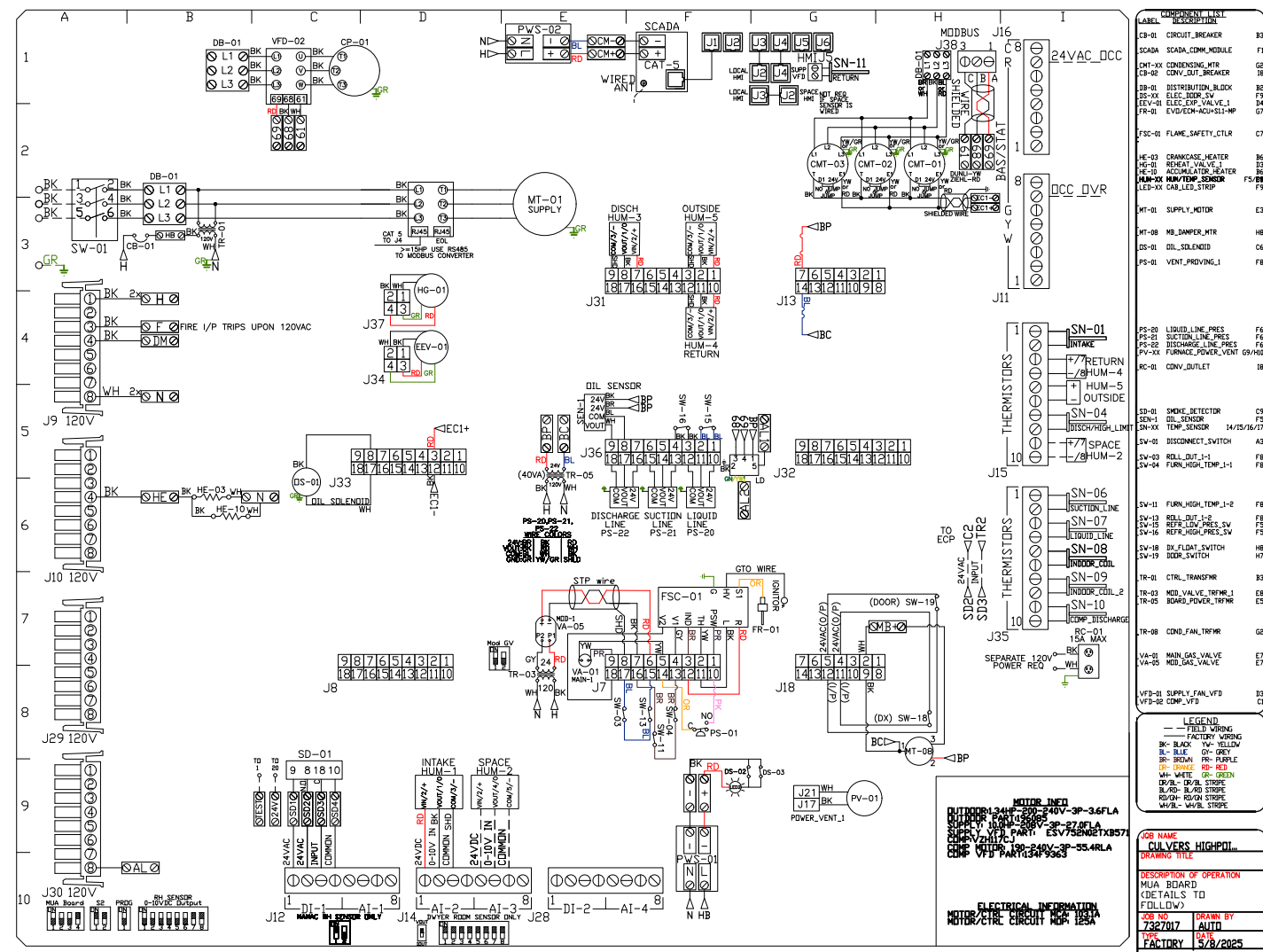
Florida National Accounts  
 239 N Hunt Club Blvd., STE 201, Longwood, FL 32779 PHONE: (407) 682-3100 FAX: 9192275913 EMAIL: reg60@captiveaire.com

CULVERS HIGHPOINT NC REV1  
 HIGH POINT, NC, 27265

DATE: 5/8/2025	DWG.#: 7327017
DRAWN BY: sluddy jr	
SCALE: 3/4" = 1'-0"	
<b>MASTER DRAWING</b>	

**SHEET NO.**

10



**REVISIONS**

NO.	DESCRIPTION	DATE



CULVERS HIGHPOINT NC REV1  
HIGH POINT, NC, 27265

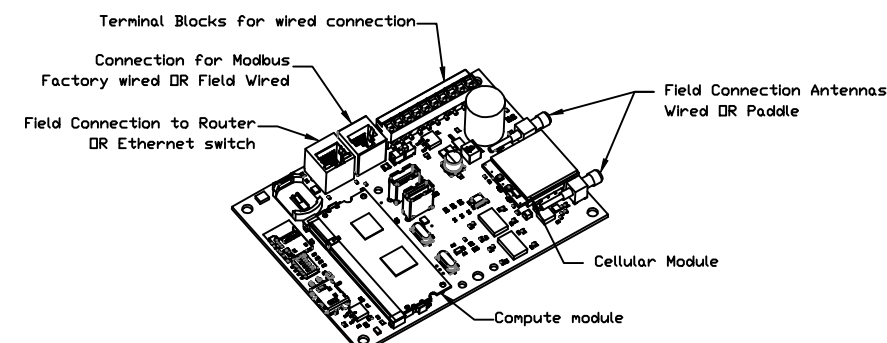
DATE: 5/8/2025  
DWG.#: 7327017  
DRAWN BY: studdy jr  
SCALE: 1/2" = 1'-0"  
MASTER DRAWING

SHEET NO. 11

239 N Hunt Club Blvd., STE 201, Longwood, FL 32779 PHONE: (407) 682-3100 FAX: 9192275913 EMAIL: reg80@captiveaire.com

ELECTRICAL PACKAGE - JOB#7327017

NO	TAG	PACKAGE #	LOCATION	SWITCHES		OPTION	FANS CONTROLLED					
				LOCATION	QUANTITY		FAN TAG	TYPE	Ø	HP	VOLT	FLA
1		SC-E012011MA	WALL UTILITY CABINET LEFT	SHIP LODSE W/ PREWIRE	1 LIGHT 1 FAN	SMART CONTROLS THERMOSTATIC CONTROL W/ RELAY ON/OFF WITH SUPPLY	PRV-2 Griddle	EXHAUST	1	1.000	115	11.6
							PRV-3 Fryer	EXHAUST	1	1.000	115	11.6
							RTU-1 Kitchen	SUPPLY	3	10.000	208	27.0

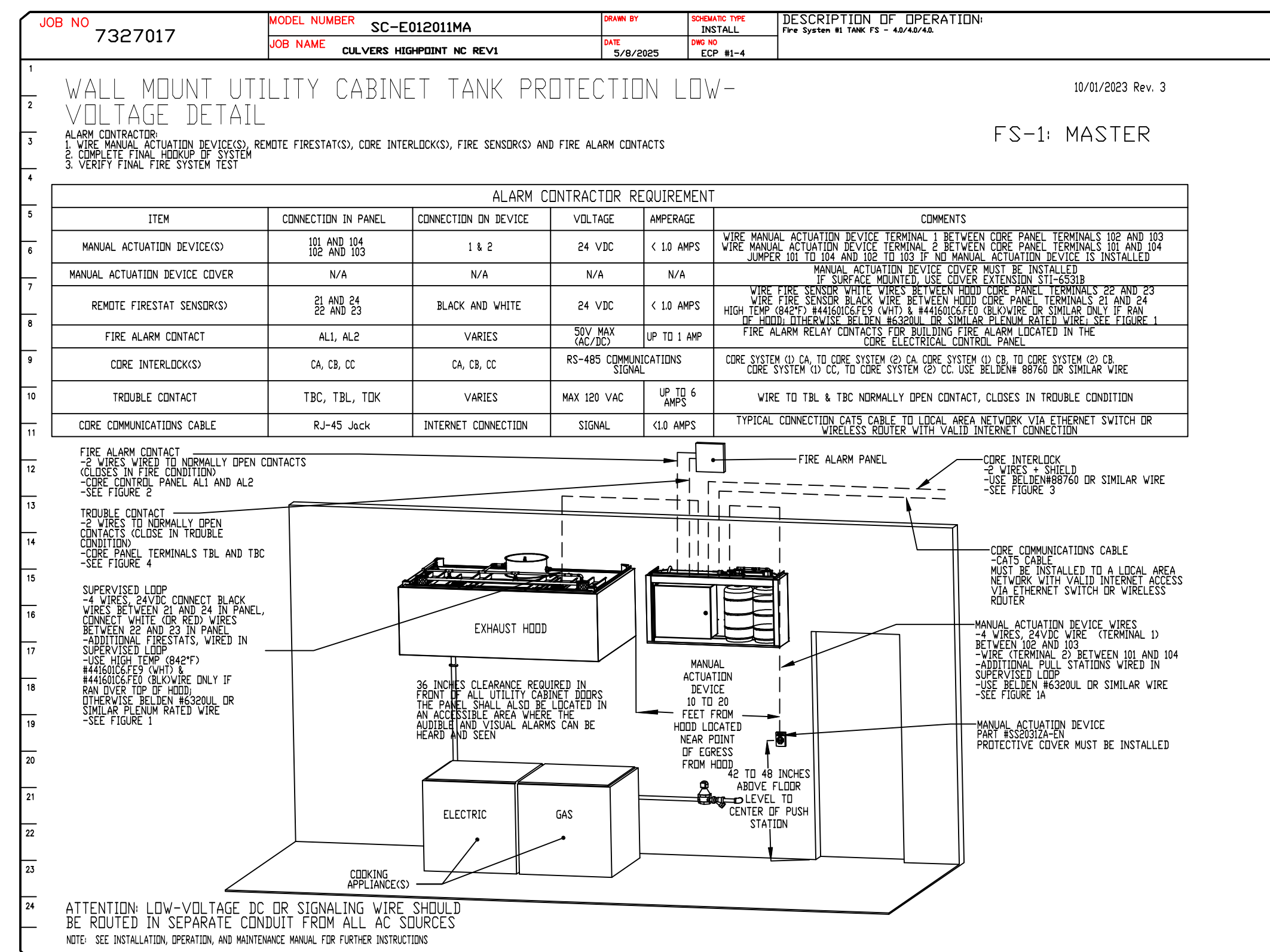
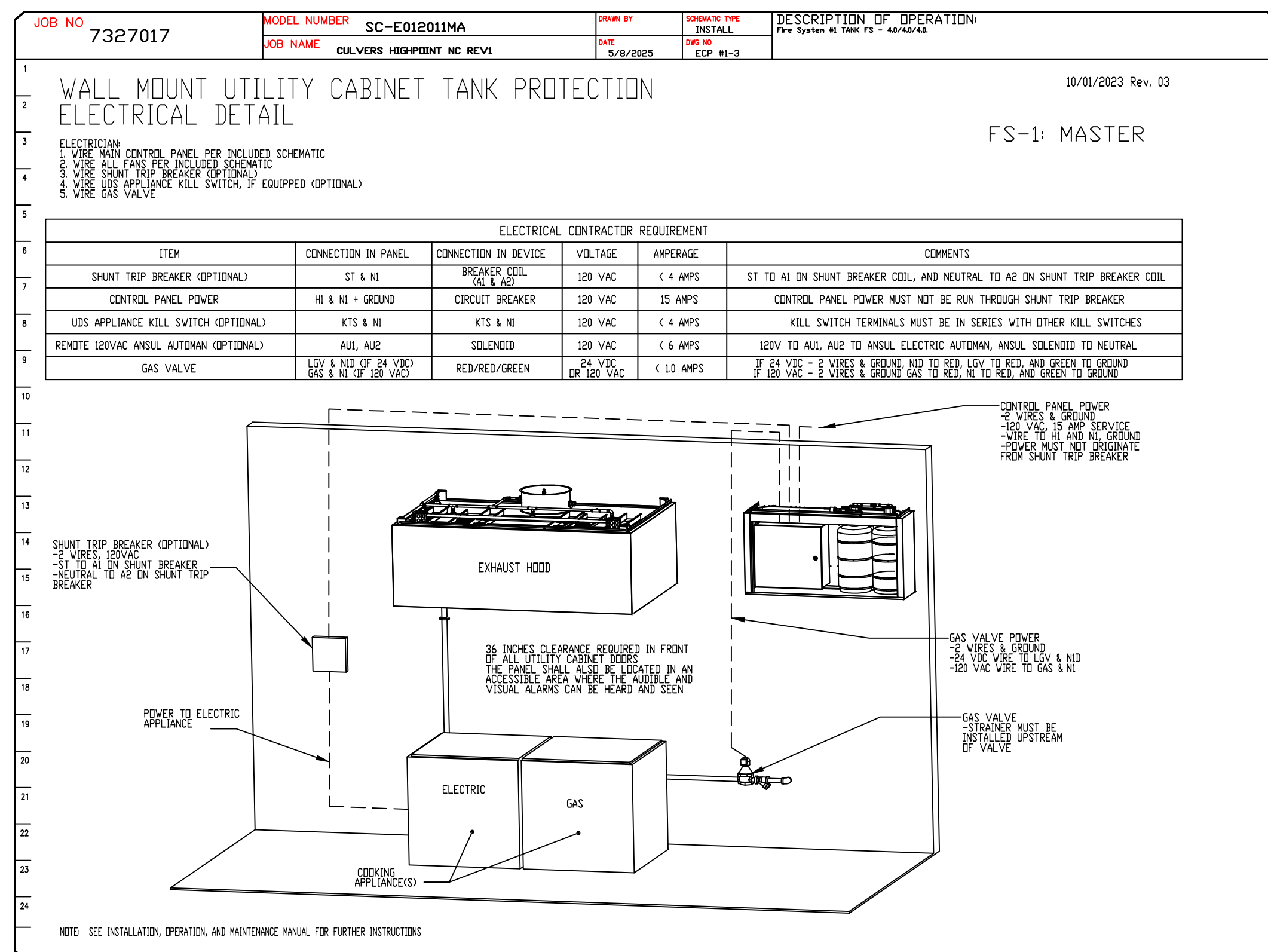
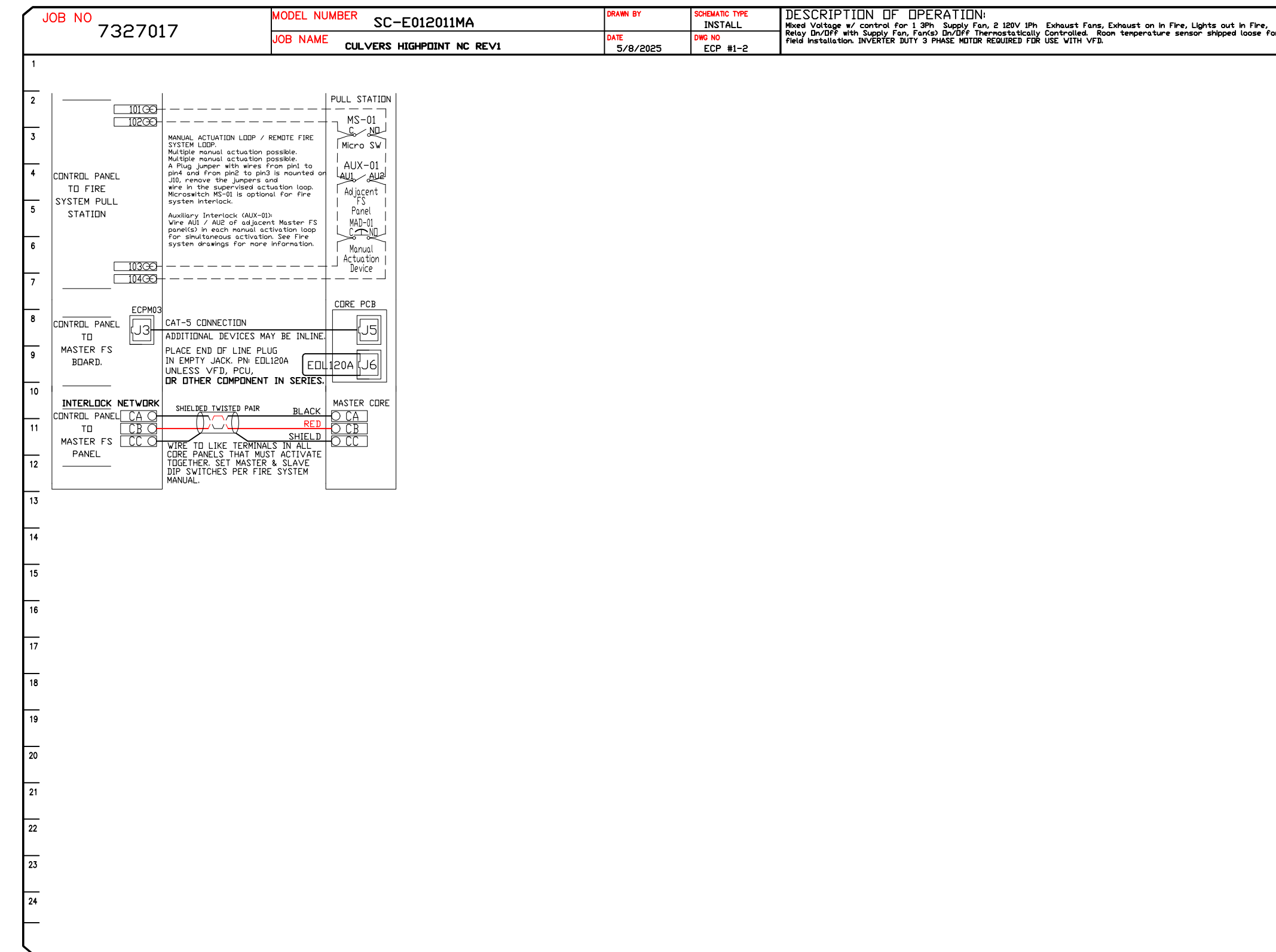
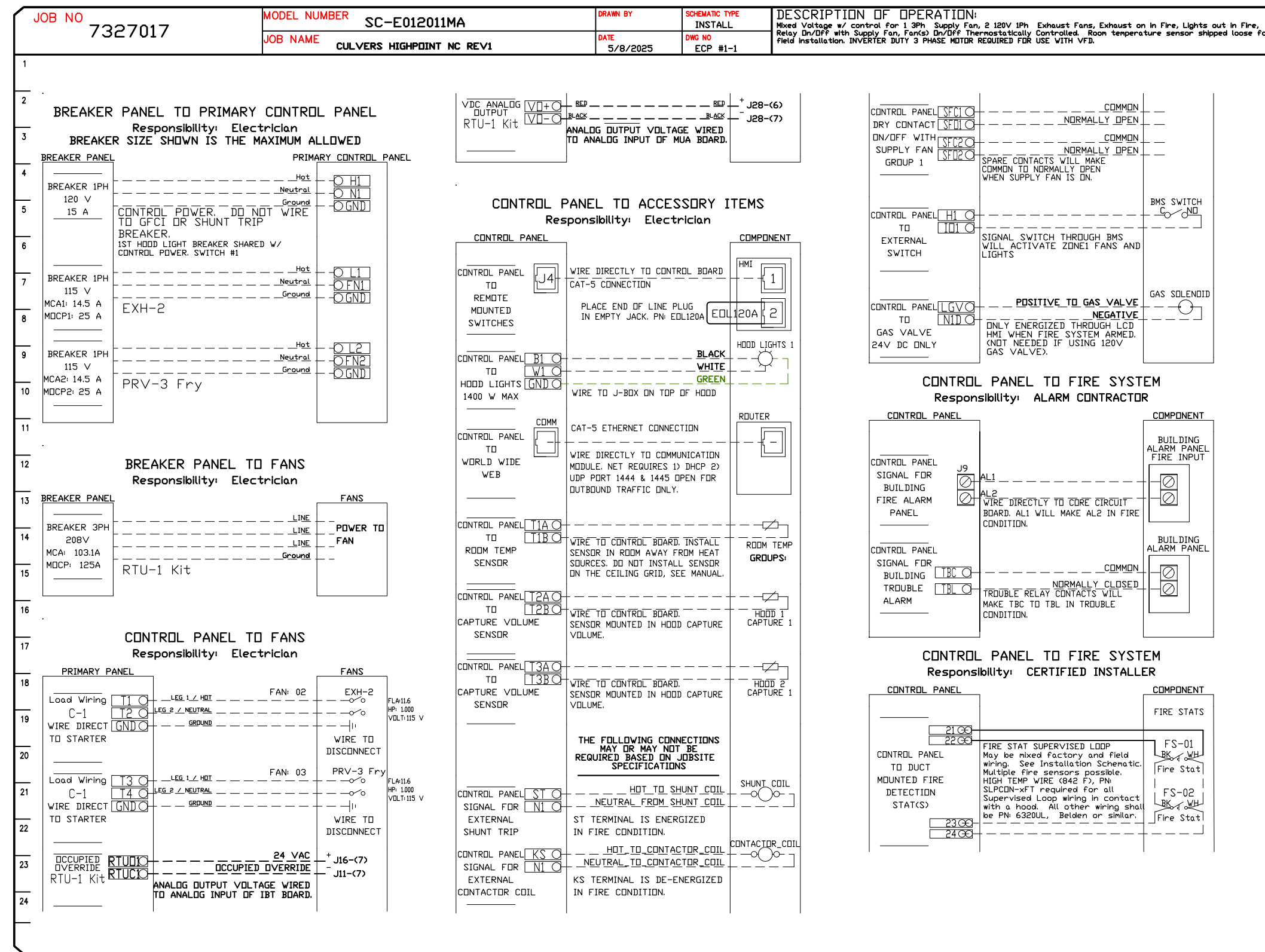


CASlink Monitor and Control

- Hood control panel to support communications to cloud-based Building Management Systems
- Hood Control Panel to allow cloud-based Building Management System to monitor real time parameters outlined as MONITOR in the points list
- Hood Control Panel to allow cloud-based Building Management System to control parameters outlined as CONTROL in the points list
- Hood Control Panel to allow cloud-based Building Management System to implement SYSTEM ECONOMIZER control strategies for fully integrated Building Management.

MONITORING AND CONTROL POINTS LIST

DCV Packages	Function	SC Packages	Function
Room Temperature	MONITOR	Room Temperature(s)	MONITOR
Duct Temperature(s)	MONITOR	Duct Temperature(s)	MONITOR
MUA Discharge Temperature	MONITOR	MUA Discharge Temperature	MONITOR
Kitchen RTU Discharge Temperature	MONITOR	Kitchen RTU Discharge Temperature	MONITOR
Fan Speed	MONITOR	Compressor Pressures	MONITOR
Fan Amperage	MONITOR	Fan Faults	MONITOR
Fan Power	MONITOR	Fan Status	MONITOR
VFD Faults	MONITOR	PCU Filter Clog Percentages	MONITOR
Controller Faults	MONITOR	Flow Condition	MONITOR
Fan Faults	MONITOR	CORE Fire System	MONITOR
Fan Status	MONITOR	Building Pressures	MONITOR
PCU Filter Clog Percentages	MONITOR	Fans Buttons(s)	MONITOR & CONTROL
Fire Condition	MONITOR	Lights Buttons(s)	MONITOR & CONTROL
CORE Fire System	MONITOR	Wash Button	MONITOR & CONTROL
Building Pressures	MONITOR		
Prep Time Button	MONITOR & CONTROL		
Fans Button	MONITOR & CONTROL		
Lights Button	MONITOR & CONTROL		
Wash Button	MONITOR & CONTROL		



**REVISIONS**

NO	DESCRIPTION	DATE

www.captiveaire.com

**CAPTIVE**

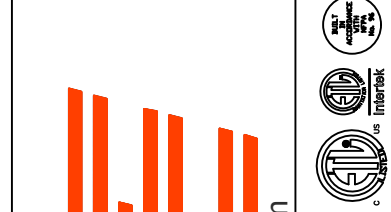
Florida National Accounts  
239 N Hunt Club Blvd., STE 201, Longwood, FL 32779 PHONE: (407) 682-3100 FAX: 9192275913 EMAIL: reg80@captiveaire.com

CULVERS HIGHPOINT NC REV1  
HIGH POINT, NC, 27265

DATE: 5/8/2025  
DWG.#: 7327017  
DRAWN BY: studdy jr  
SCALE: 3/4" = 1'-0"  
MASTER DRAWING

**SHEET NO.**  
12

DESCRIPTION	DATE:



Florida National Accounts  
239 N Hunt Club Blvd., STE 201, Longwood, FL 32779 PHONE: (407) 682-3100 FAX: 9192275913 EMAIL: reg80@captiveaire.com

CULVERS HIGHPOINT NC REV1  
HIGH POINT, NC, 27265

DATE: 5/8/2025

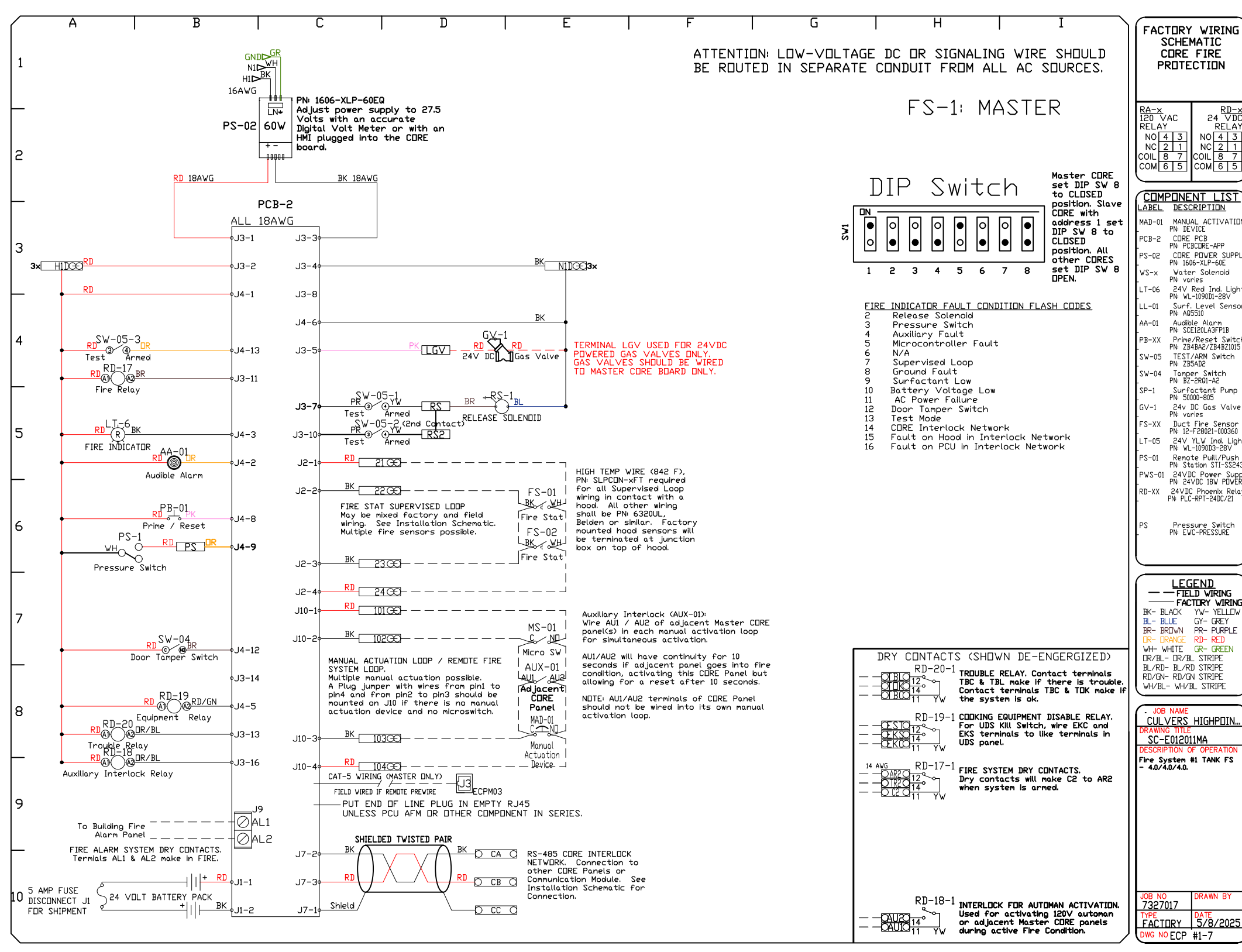
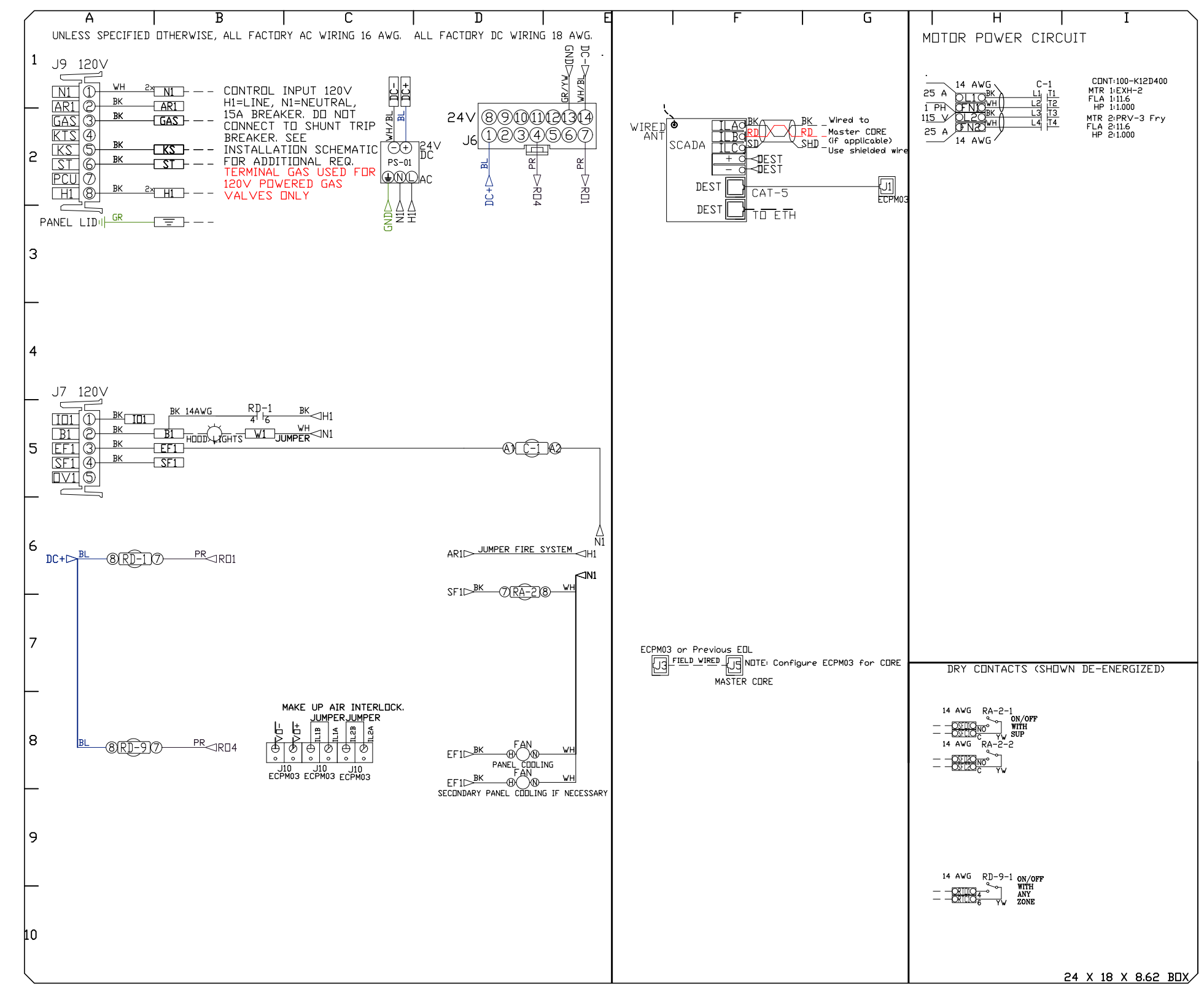
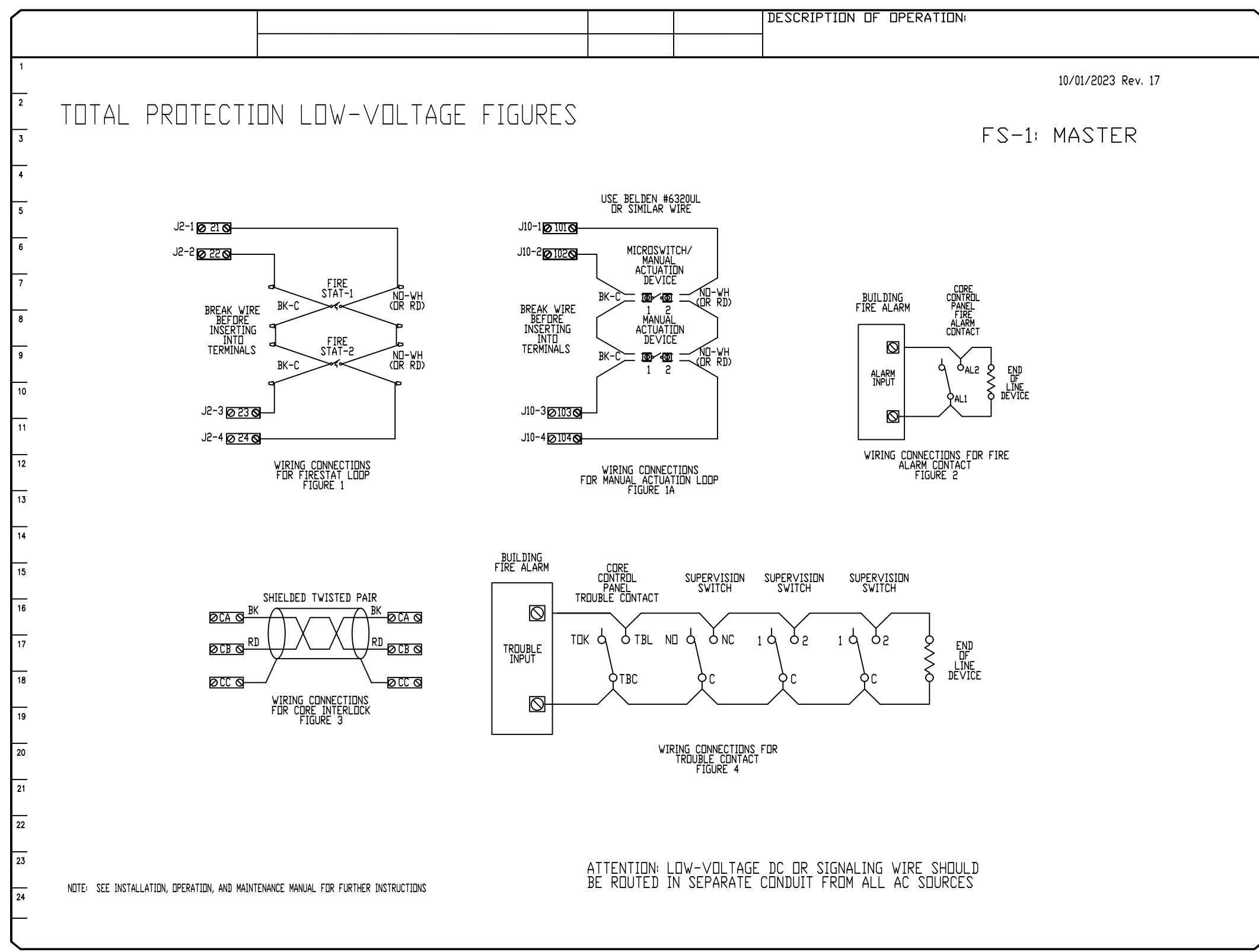
DWG.#:  
7327017

DRAWN BY:  
studdy jr

SCALE:  
3/4" = 1'-0"

MASTER DRAWING

SHEET NO.  
13



DUCTWORK #1 PARTS - JOB#7327017 DOUBLE WALL GREASE DUCT

TAG	PART #	CFM	GPM	ZONE	COVEREDBY	SP	WEIGHT	VELOCITY	QTY	DESCRIPTION
P1	DW1247DWLT-2R-S						54.71		1	DOUBLE WALL DUCT - 12" INNER DUCT, 47" LONG - 2 LAYERS REDUCED CLEARANCE - 16" STAINLESS STEEL OUTER SHELL.
P2	DW1247DWLT-2R-S						54.71		1	DOUBLE WALL DUCT - 12" INNER DUCT, 47" LONG - 2 LAYERS REDUCED CLEARANCE - 16" STAINLESS STEEL OUTER SHELL.
P3	DW1235DWLT-2R-S						40.86		1	DOUBLE WALL DUCT - 12" INNER DUCT, 35" LONG - 2 LAYERS REDUCED CLEARANCE - 16" STAINLESS STEEL OUTER SHELL.
P4 ASSEMBLED W/P5	DW1247DWAJDP-2R-S						82.74		1	DOUBLE WALL ADJUSTABLE DUCT TRANSITION PLATE - 12" INNER DUCT - 2 LAYERS REDUCED CLEARANCE - 16" STAINLESS STEEL OUTER SHELL. MIN LENGTH = 11' / MAX LENGTH = 48.5' / ADJUSTMENT = 30.5' / ADJUSTABLE SECTION MAY NEED TO BE CUT. INCLUDES SINGLE AND DOUBLE WALL *V* CLAMPS.
P5 ASSEMBLED W/P4 D=B	DW2312TPDBEX						8.00		1	DUCT TO CURB TRANSITION 3/4" DOWN TURN, 23" CURB TO 12" DUCT, 16 GA ALUMINIZED. USED ON NCA14FA & NCA14HPFA. TRANSITION PLATE OD IS 23.5" DESIGNED FOR USE WITH EXHAUST FAN.
P6	DW1247DWLT-2R-S						54.71		1	DOUBLE WALL DUCT - 12" INNER DUCT, 47" LONG - 2 LAYERS REDUCED CLEARANCE - 16" STAINLESS STEEL OUTER SHELL.
P7	DW1247DWLT-2R-S						54.71		1	DOUBLE WALL DUCT - 12" INNER DUCT, 47" LONG - 2 LAYERS REDUCED CLEARANCE - 16" STAINLESS STEEL OUTER SHELL.
P8	DW1235DWLT-2R-S						40.86		1	DOUBLE WALL DUCT - 12" INNER DUCT, 35" LONG - 2 LAYERS REDUCED CLEARANCE - 16" STAINLESS STEEL OUTER SHELL.
P9 ASSEMBLED W/P10	DW1247DWAJDP-2R-S						82.74		1	DOUBLE WALL ADJUSTABLE DUCT TRANSITION PLATE - 12" INNER DUCT - 2 LAYERS REDUCED CLEARANCE - 16" STAINLESS STEEL OUTER SHELL. MIN LENGTH = 11' / MAX LENGTH = 48.5' / ADJUSTMENT = 30.5' / ADJUSTABLE SECTION MAY NEED TO BE CUT. INCLUDES SINGLE AND DOUBLE WALL *V* CLAMPS.
P10 ASSEMBLED W/P9 D=B	DW2312TPDBEX						8.00		1	DUCT TO CURB TRANSITION 3/4" DOWN TURN, 23" CURB TO 12" DUCT, 16 GA ALUMINIZED. USED ON NCA14FA & NCA14HPFA. TRANSITION PLATE OD IS 23.5" DESIGNED FOR USE WITH EXHAUST FAN.
	3M-2000PLUS						0.80		2	DUCT - 3M FIRE BARRIER 2000 PLUS SILICONE - USED AS SEALANT TO SEAL DUCT JOINTS.
	DW12DWCLASY-2R-S						6.44		6	DUCT - 12" DUCT - 16" DOUBLE *V* CLAMP - 2R INSULATION & SINGLE *V* CLAMP INCLUDED - REDUCED CLEARANCE.
TOTAL WEIGHT							522.28			

DOUBLE WALL FACTORY BUILT DUCTWORK

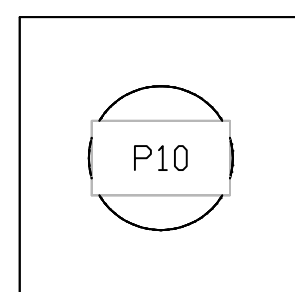
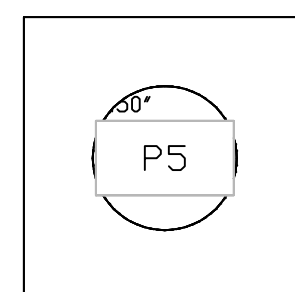
- ALL DUCTWORK IS REQUIRED TO BE INSTALLED WITH THE MAXIMUM SUPPORT SPACING LISTED BELOW.
- FOR A COMPLETE LIST OF APPROVED SUPPORT METHODS, SEE THE ENTIRE INSTALLATION AND OPERATION MANUAL.
- DUCTWORK SHALL SLOPE NOT LESS THAN 1/16" PER LINEAR FOOT TOWARDS THE HOOD OR AN APPROVED GREASE COLLECTION RESERVOIR.
- WHERE HORIZONTAL DUCTS EXCEED 75 FEET IN LENGTH, THE SLOPE SHALL NOT BE LESS THAN 3/16" PER LINEAR FOOT.

HORIZONTAL	
DUCT DIAMETER	SUPPORT SPACING (FT)
5'	7'
6'	7'
7'	7'
8'	7'
10'	7'
12'	7'
14'	7'
16'	7'
18'	5'
20'	5'
22'	5'
24'	5'
26'	5'
28'	5'
30'	5'
32'	5'
34'	5'
36'	5'

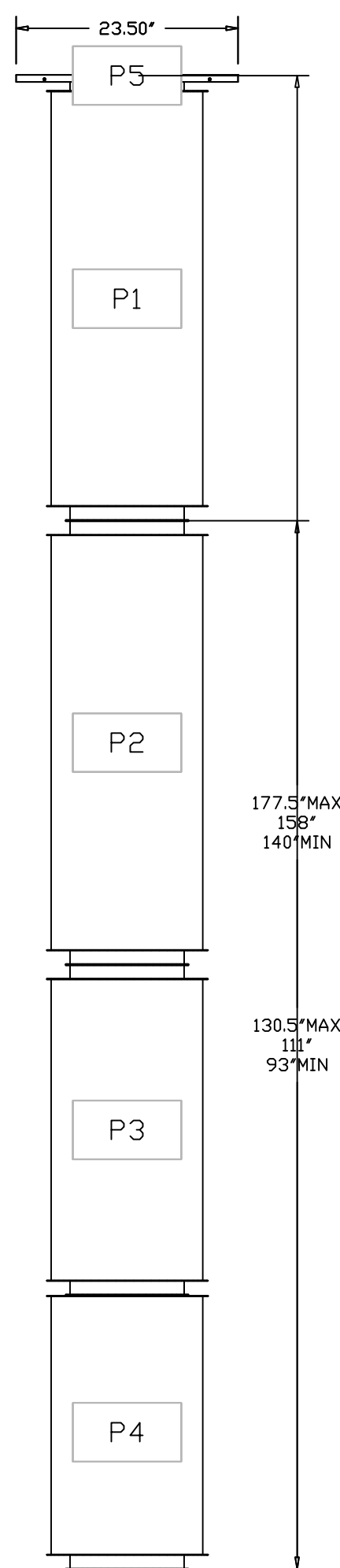
VERTICAL			
TYPE	WALL SUPPORT (FT)	CURB SUPPORT (FT)	FLOOR SUPPORT (FT)
2R & 2R HT (5'-16')	20'	24'	24'
2R (18')	18'	24'	24'
3R & 3Z (5'-24')	10'	24'	24'
3Z (26' -36')	10'	20'	20'

DO NOT LEAK TEST USING SMOKE BOMBS CONTAINING CHLORINES/CHLORIDES. CONSULT WITH CAPTIVEAIRE FOR PROPER LEAK TESTING METHODS.

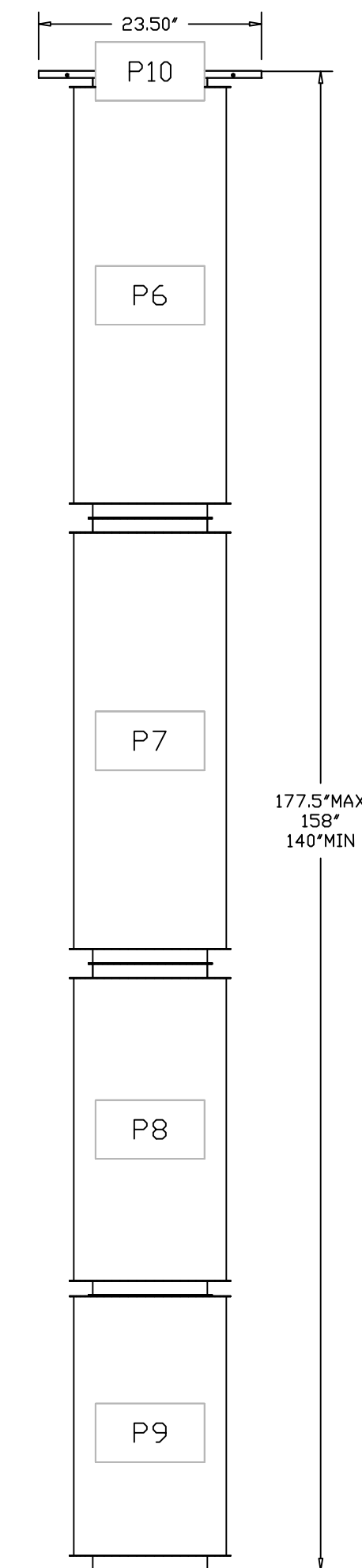
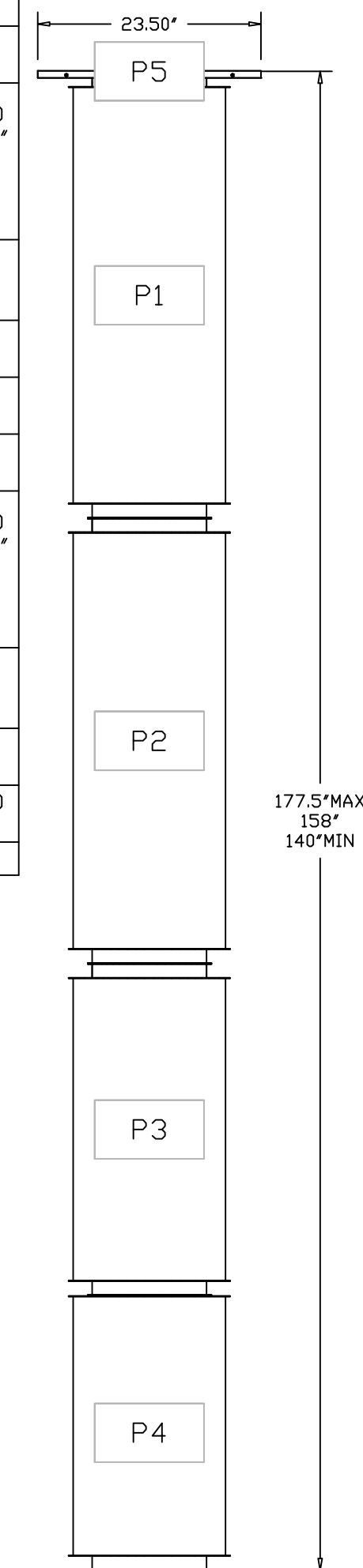
DUCTWORK #1 TOP VIEW GREASE DUCT



DUCTWORK #1 SIDE VIEW GREASE DUCT



DUCTWORK #1 FRONT VIEW GREASE DUCT



REVISIONS	
DESCRIPTION	DATE

www.captiveaire.com  
Florida National Accounts  
239 N Hunt Club Blvd., STE 201, Longwood, FL 32779 PHONE: (407) 682-3100 FAX: 919275913 EMAIL: reg60@captiveaire.com

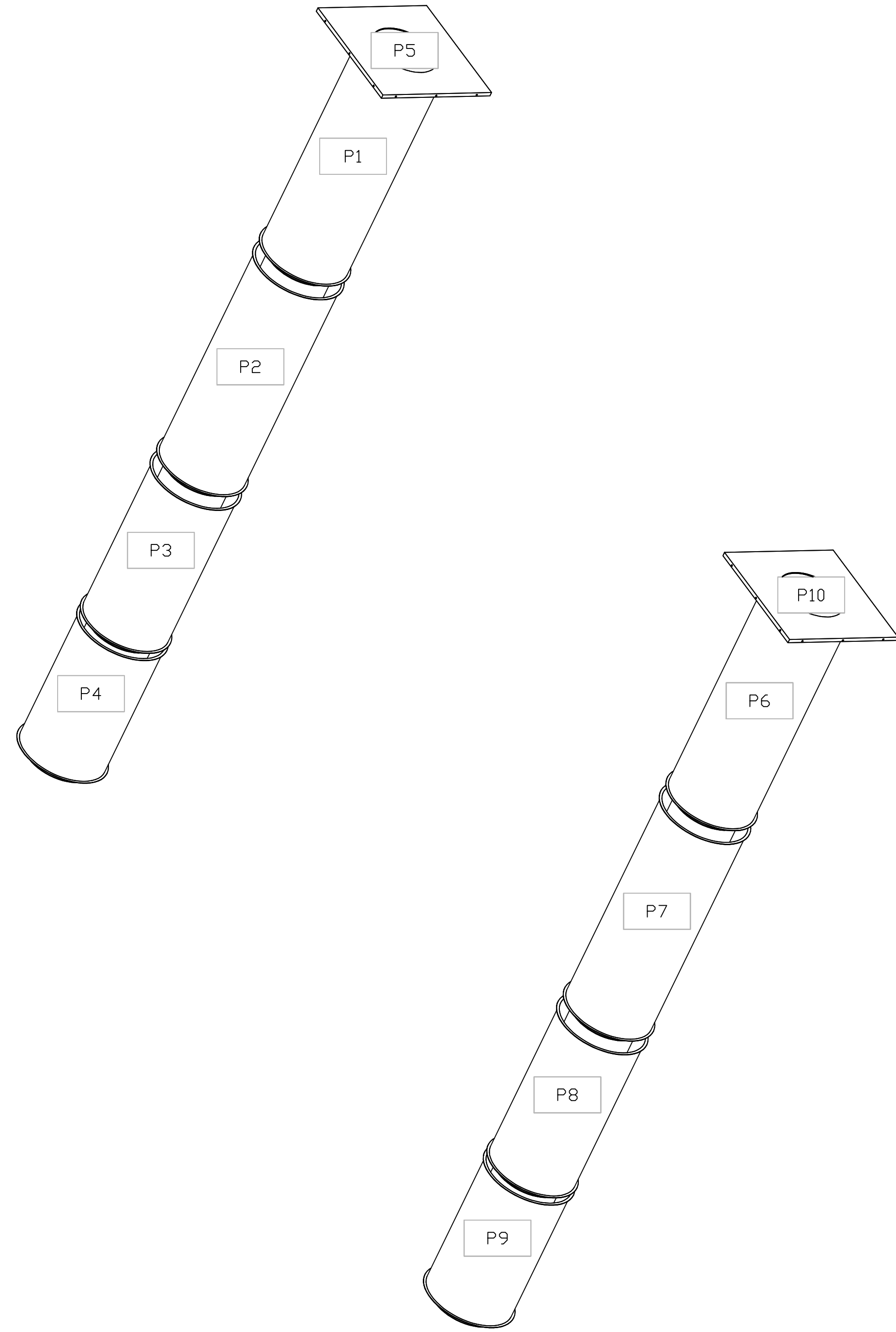
CAPTIVEAIRE

CULVERS HIGHPOINT NC REV1  
HIGH POINT, NC, 27265

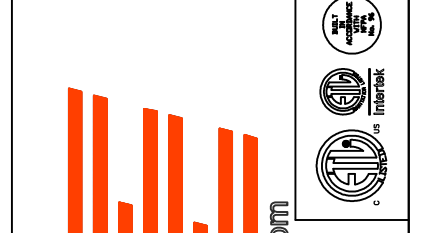
DATE: 5/8/2025  
DWG #: 7327017  
DRAWN BY: sluddy jr  
SCALE: 3/4" = 1'-0"  
MASTER DRAWING

SHEET NO.  
14

DUCTWORK #1 SE VIEW  
GREASE DUCT



REVISIONS	
DESCRIPTION	DATE
Δ	
Δ	
Δ	
Δ	



**CAPTIVE**

Florida National Accounts  
www.captive.com

239 N Hunt Club Blvd., STE 201, Longwood, FL 32779 PHONE: (407) 682-3100 FAX: 9192275913 EMAIL: rep60@captive.com

CULVERS HIGHPOINT NC REV1  
HIGH POINT, NC, 27265

DATE: 5/8/2025

DWG.#:  
7327017

DRAWN BY: sluddy jr

SCALE:  
3/4" = 1'-0"

MASTER DRAWING

SHEET NO.  
15









SYSTEM DESIGN VERIFICATION (SDV)

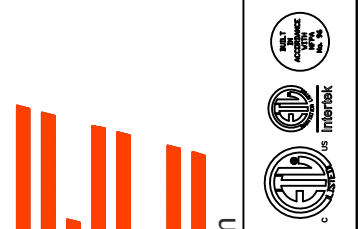
IF ORDERED, CAS SERVICE WILL PERFORM A SYSTEM DESIGN VERIFICATION (SDV) ONCE ALL EQUIPMENT HAS HAD A COMPLETE START UP PER THE OPERATION AND INSTALLATION MANUAL. TYPICALLY, THE SDV WILL BE PERFORMED AFTER ALL INSPECTIONS ARE COMPLETE.

ANY FIELD RELATED DISCREPANCIES THAT ARE DISCOVERED DURING THE SDV WILL BE BROUGHT TO THE ATTENTION OF THE GENERAL CONTRACTOR AND CORRESPONDING TRADES ON SITE. THESE ISSUES WILL BE DOCUMENTED AND FORWARDED TO THE APPROPRIATE SALES OFFICE. IF CAS SERVICE HAS TO RESOLVE A DISCREPANCY THAT IS A FIELD ISSUE, THE GENERAL CONTRACTOR WILL BE NOTIFIED AND BILLED FOR THE WORK. SHOULD A RETURN TRIP BE REQUIRED DUE TO ANY FIELD RELATED DISCREPANCY THAT CANNOT BE RESOLVED DURING THE SDV, THERE WILL BE ADDITIONAL TRIP CHARGES.

DURING THE SDV, CAS SERVICE WILL ADDRESS ANY DISCREPANCY THAT IS THE FAULT OF THE MANUFACTURER. SHOULD A RETURN TRIP BE REQUIRED, THE GENERAL CONTRACTOR AND APPROPRIATE SALES OFFICE WILL BE NOTIFIED. THERE WILL BE NO ADDITIONAL CHARGES FOR MANUFACTURER DISCREPANCIES.

**REVISIONS**

DESCRIPTION	DATE:
Δ	
Δ	
Δ	
Δ	



**CAPTIVE**  
Florida National Accounts  
www.captiveaire.com  
239 N Hunt Club Blvd., STE 201, Longwood, FL 32779 PHONE: (407) 682-3100 FAX: 9192275913 EMAIL: reg60@captiveaire.com

CULVERS HIGHPOINT NC REV1  
HIGH POINT, NC, 27265

**DATE:** 5/8/2025

**DWG.#:**  
7327017

**DRAWN BY:** sluddy jr

**SCALE:**  
3/4" = 1'-0"

**MASTER DRAWING**

**SHEET NO.**