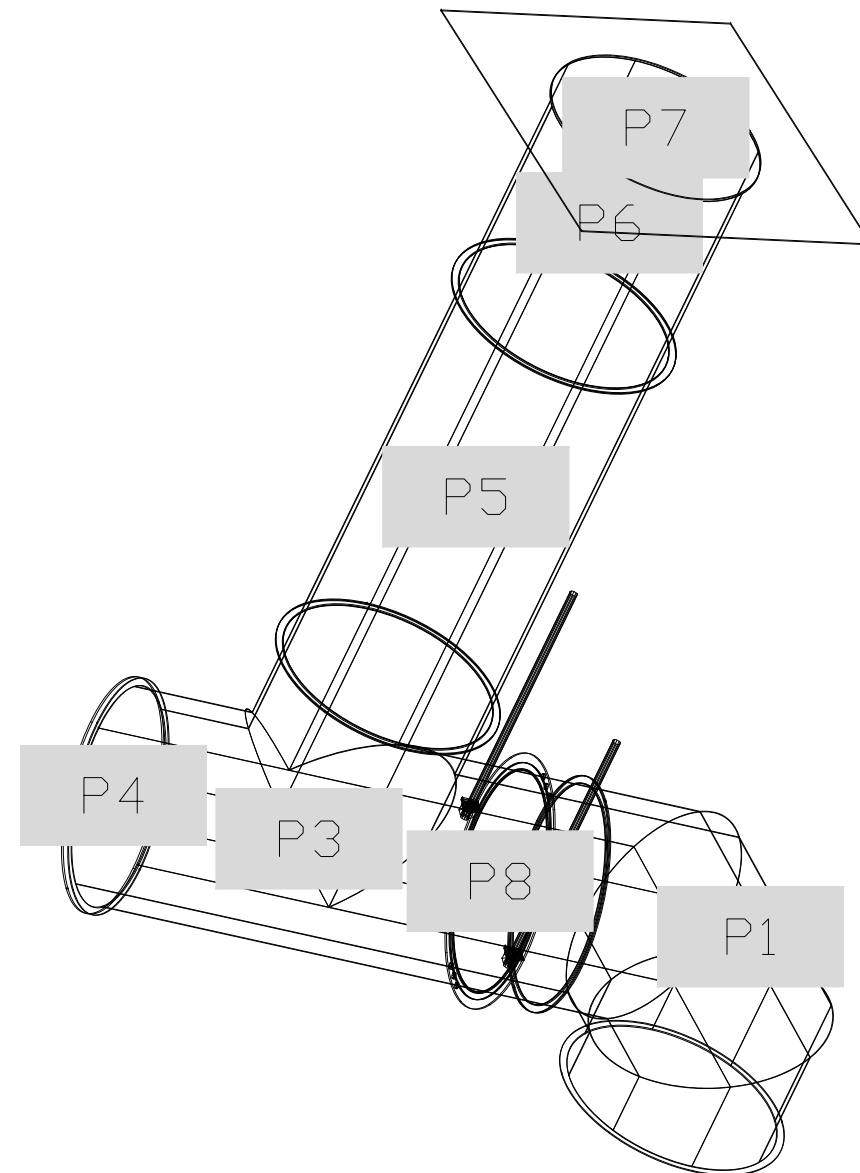


DUCTWORK #1 PARTS - JOB#5238047 DUCT RUN

TAG	PART #	CFM	GPM	ZONE	COVEREDBY	SP	WEIGHT	VELOCITY	QTY	DESCRIPTION
P1	DW1490ASY	2266				-0.2258	10.62	2119.71	1	SINGLE WALL DUCT 90 DEGREE ELBOW, 14" DUCT, ASSEMBLY.
P2	DW1404LT	2266				-0.003	2.25	2119.71	1	SINGLE WALL DUCT 14" DIAMETER, 4" LONG, FLANGE AT BOTH ENDS. STAINLESS STEEL.
P3 ASSEMBLED W/P4	DW14TEASY	2266		1		-0.3225	15.95	2119.71	1	SINGLE WALL DUCT TEE, 14" DUCT, ASSEMBLY.
P4 ASSEMBLED W/P3 □=S	DW1415ADKIT						3.72		1	DUCT ACCESS DOOR WITH HANDLE & GREASE DAM, FOR 14" DUCT USE 15" DOOR. STAINLESS STEEL.
P5	DW1429LT	2266				-0.0191	13.62	2119.71	1	SINGLE WALL DUCT 14" DIAMETER, 29" LONG, FLANGE AT BOTH ENDS. STAINLESS STEEL.
P6 ASSEMBLED W/P7	DW1424AJDKIT	2266				-0.0099	14.56	2119.71	1	SINGLE WALL DUCT ADJUSTABLE, 14" DIAMETER, 23.5" LONG, FLANGE AT ONE END WITH A 14" ADJUSTABLE COLLAR - STAINLESS STEEL.
P7 ASSEMBLED W/P6 SYSTEM AT P7	DW1914TP	2266					5.82	2119.71	1	DUCT TO CURB TRANSITION, 19-1/2" CURB TO 14" DUCT, 16 GA ALUMINIZED. USED ON BDU11 & 13, DU30, 33 & 50.
P8	DW14SUBRASY						2.96		1	DUCT SUPPORT BRACKET KIT, 14" DUCT, USED FOR HANGING DUCT. 12 GA STEEL, CLEAR ZINC COATING. - 2 RINGS, 4 BRACKETS, & HARDWARE BAG 2.
	3M-2000PLUS						0.80		2	DUCT - 3M FIRE BARRIER 2000 PLUS SILICONE - USED AS SEALANT TO SEAL DUCT JOINTS.
	DW14CLASY						1.06		6	DUCT "V" CLAMP WITH NEW DESIGN 14 GA BRACKETS, 14" DUCT, ASSEMBLY.
TOTAL WEIGHT							77.46			

DUCTWORK #1 SE VIEW
DUCT RUN



REVISIONS	
DESCRIPTION	DATE

CAPTIVE
www.captiveaire.com
Air Solutions
1329 East Kemper Rd., Ste. 4210, Cincinnati, OH, 45246 PHONE: (513) 860-5555 EMAIL: reg120@captiveaire.com

* Als Bar (Sharonville, OH)
1133 Reading Rd,
Cincinnati, OH, 45241

DATE: 12/17/2021
DWG.#: 5238047
DRAWN BY:
SCALE: Not To Scale
MASTER DRAWING

SHEET NO. 1