

6/24/2025 9:28:18 AM - THIS DRAWING IS THE PROPERTY OF THE ARCHITECT. FREEMAN MORGAN ARCHITECTS. UNAUTHORIZED REPRODUCTION FOR ANY PURPOSE IS AN INFRINGEMENT UPON COPYRIGHT LAWS. VIOLATORS WILL BE SUBJECT TO PROSECUTION BY THE FULLEST EXTENT OF THE LAW.

FREEMAN MORGAN ARCHITECTS
 7299 Forest Avenue, Suite 307 | Herndon, Virginia 22044
 P: 804-282-9700 | F: 804-282-8267 | www.freemanagerchitects.com

BRANDT ENGINEERING, INC.
 2840 FLOOD PARKWAY, SUITE 300
 MOLOTHAN, VA 23103
 PHONE: (804)794-8666
 FAX: (804)794-8588
 EMAIL: cadd@beiric.com

Revisions

Job Number
2336 - AS07

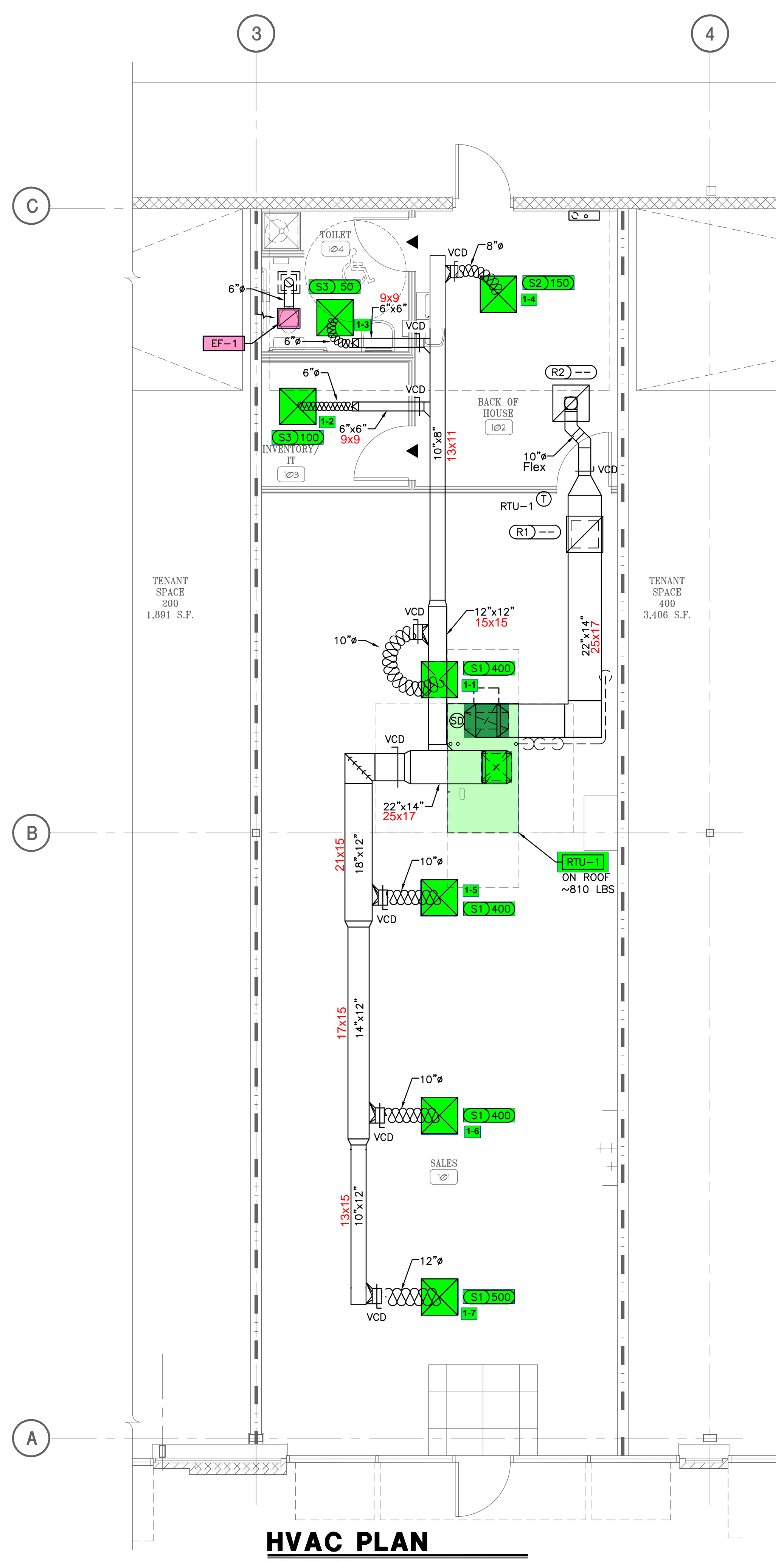
Issued Date
06 | 20 | 2025

AT&T UPFIT AT COLD SPRING
 1201 MAGNOLIA LANE, SUITE 300
 COLD SPRING, KENTUCKY 41076

Sheet Name
HVAC PLAN, SCHEDULES AND DETAILS

Sheet Number
M.I.1

01 of 01



HVAC PLAN
SCALE: 1/4" = 1'-0"

ROOF TOP UNIT SCHEDULE

MARK	AREA SERVED	ELECTRICAL					SUPPLY FAN				COOLING CAPACITY					HEATING SECTION					NOTES						
		VOLTS	PHASE	HZ	MCA	MCOCP	AIR (CFM)	E.S.P. (IN. WG.)	HP	POWER (BHP)	OUTDOOR AIR (CFM)	TOTAL (MBH)	SENSIBLE (MBH)	E.A.T. (°F)		L.A.T. (°F)		GAS HEATING CAPACITY									
														DB	WB	DB	WB	SEER2 /EER2	E.A.T. (°F)	INPUT (MBH)		OUTPUT (MBH)	STAGES	TEMP. RISE			
RTU-1	RETAIL	208	3	60	26	35	2,000	0.92	1	0.96	360	63.7	47.8	76.5	64.8	53.3	53.3	16.4/12.5	58.6	108.0	87.0	2	39.8"	LENNOX	LGT060HSE	638	1, 2, 3, 4, 5, 6 & 7

NOTES:
 1. INSULATED ROOF CURB SLOPED TO MATCH ROOF.
 2. FACTORY INSTALLED SMOKE DETECTOR.
 3. THROUGH THE BASE SINGLE POINT POWER CONNECTION, FACTORY NON-FUSED DISCONNECT, UN-POWERED CONVENIENCE OUTLET, LOW AMBIENT KIT.
 4. LOW LEAKAGE ECONOMIZER WITH DUAL ENTHALPY KIT, WEATHER HOOD AND BAROMETRIC RELIEF, 2" MERV 8 FILTERS.
 5. FACTORY CONDENSATE DRAIN PAN OVERFLOW SWITCH.
 6. PROVIDE W/ 7-DAY PROGRAMMABLE HONEYWELL VISIONPRO THERMOSTAT, TH8320R1003.
 7. TOTAL REFRIGERANT CHARGE = 4 LB, 14 OZ. SELF CONTAINED PACKAGE UNIT IS IN COMPLIANCE W/ ASHRAE STANDARD 15-2024.
 8. 8.5 YEAR WARRANTY ON COMPRESSOR AND 10 YEAR WARRANTY ON HEAT EXCHANGER.

FAN SCHEDULE

MARK	AREA SERVED	CFM	E.S.P. (IN. WG.)	DRIVE	FAN RPM	MOTOR		MCA	MCOCP	MANUF.	MODEL	CONTROL METHOD	NOTES
						VOLTS	PHASE						
EF-1	RESTROOM	100	.25	CENT	1100	120	1Ø	0.2	15	GREENHECK	SP-A125	OCC. SENS.	1 & 2

NOTES:
 1. FACTORY PLUG-IN DISCONNECT.
 2. ROOF CAP WITH 26" TALL CURB.

VENTILATION RATE SCHEDULE - I.M.C. 2015 - TABLE 403.3

SPACE	OCCUPANCY CLASSIFICATION	GROSS AREA	TOTAL OCCUPANTS	CFM/PERSON	CFM/SQ-FT	VENTILATION EFFECTIVENESS	O/A REQ.	O/A PROVIDED
SALES 101	SALES	1040	15.6	7.5	0.12	0.8	303	306
BACK OF HOUSE 102	STORAGE	168	1	-	0.06	0.8	13	36
INVENTORY/IT 103	STORAGE	57	1	-	0.06	0.8	5	18

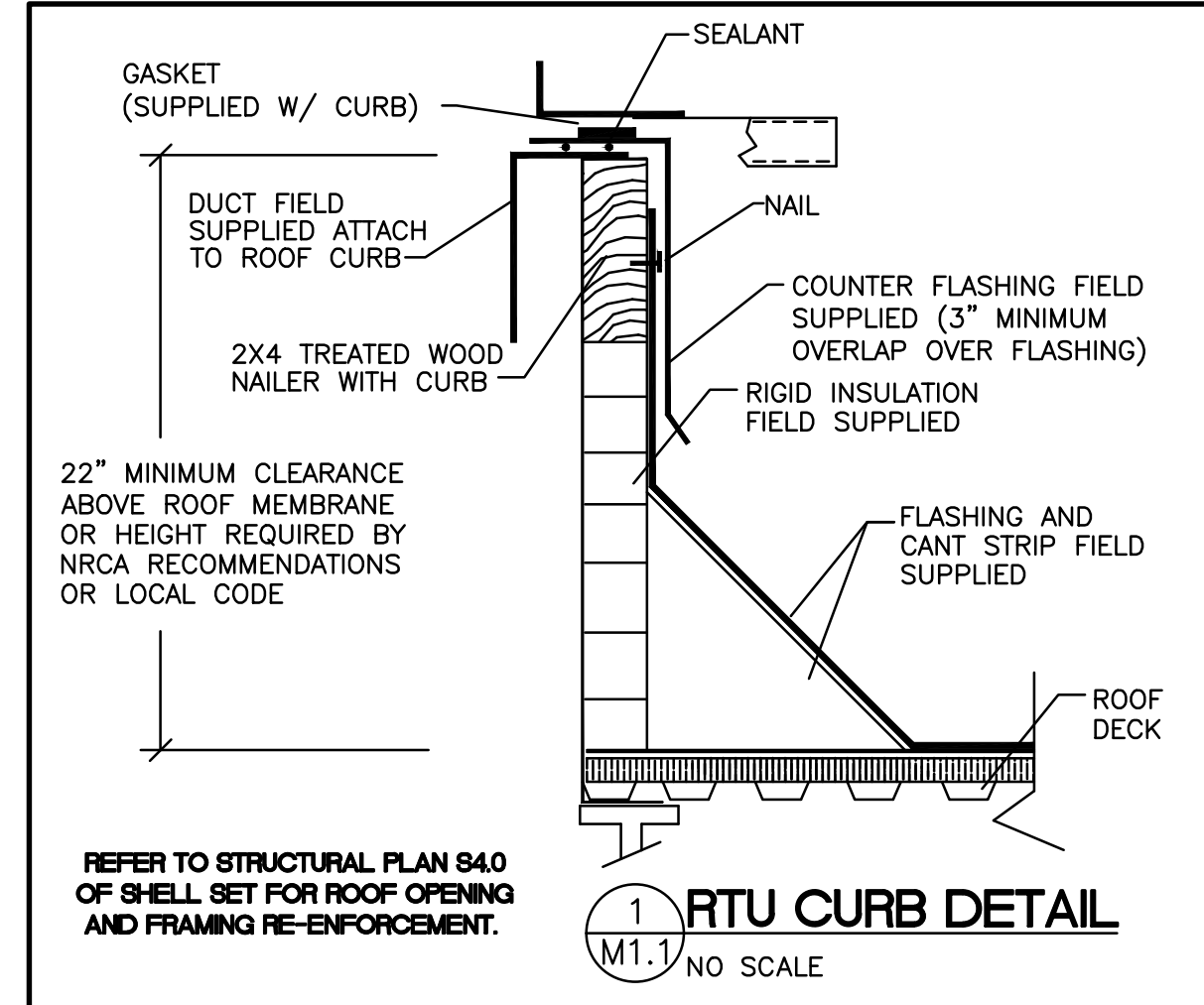
AIR DEVICE SCHEDULE

MARK	CONNECTION SIZE	PERFORMANCE		BASED ON		REMARKS
		CFM	N.C.	MANUFACTURER	MODEL NO.	
S1	10"	436	20	TITUS	OMNI	24"x24" LAY-IN
S2	8"	209	-	TITUS	OMNI	24"x24" LAY-IN
S3	6"	118	-	TITUS	OMNI	24"x24" LAY-IN
S4	12"	550	18	TITUS	OMNI	24"x24" LAY-IN
R1	18"x18"	1575	32	TITUS	PAR	24"x24" LAY-IN
R2	8"x8"	222	22	TITUS	PAR	24"x24" LAY-IN

NOTE:
 1. ALL AIR DEVICES SHALL BE WHITE #26

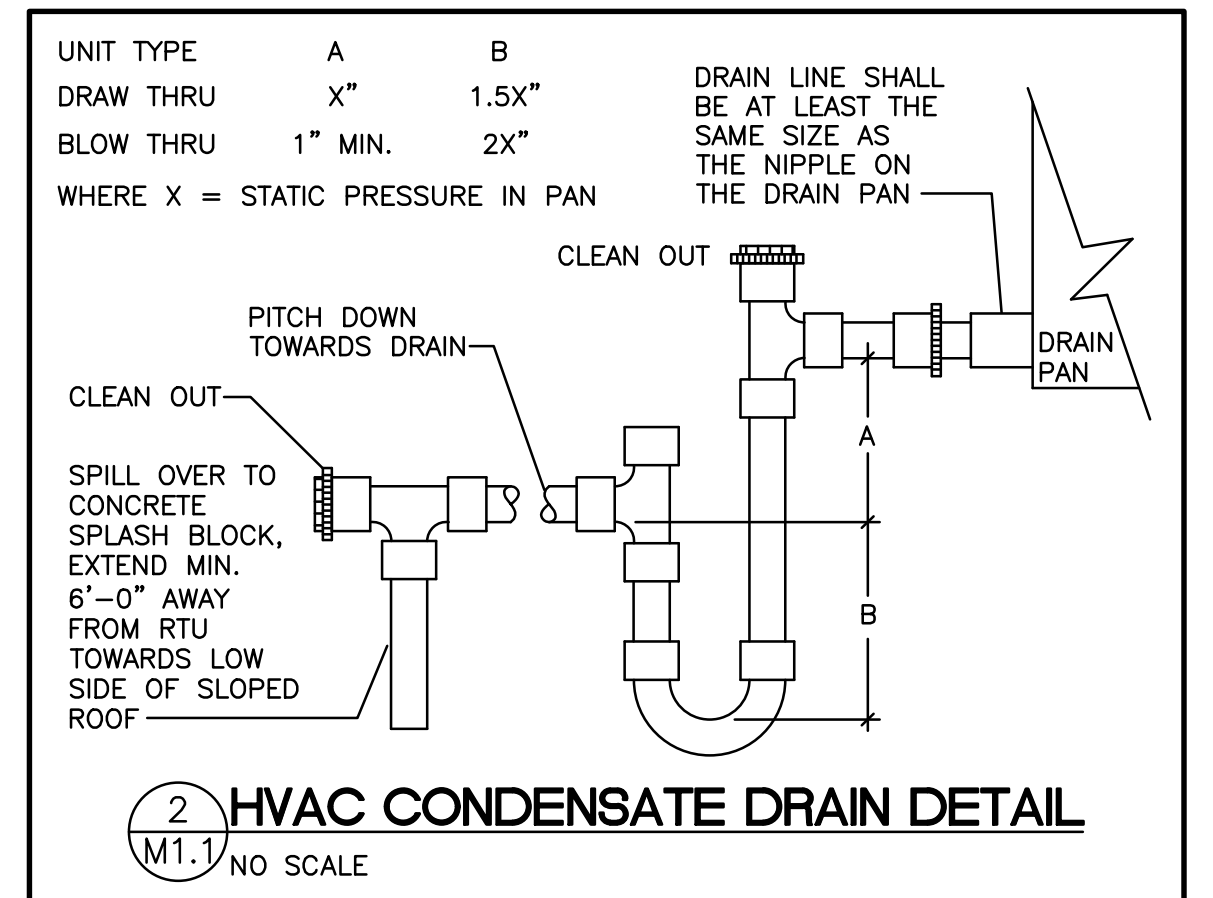
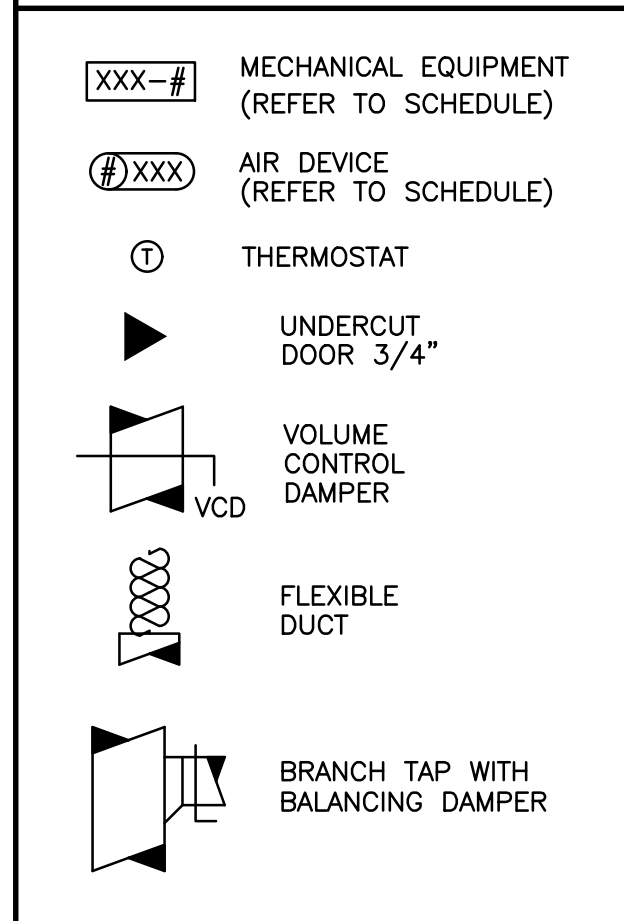
HEATING, VENTILATING AND AIR CONDITIONING

- ALL WORK SHALL BE IN ACCORDANCE WITH THE 2015 INTERNATIONAL MECHANICAL CODE AND ALL APPLICABLE STATE AND LOCAL CODES.
- ALL NECESSARY FEES AND PERMITS TO BE INCLUDED IN THIS PHASE OF CONSTRUCTION.
- ALL WORK SHALL BE BY QUALIFIED MECHANICS.
- FURNISH ALL NECESSARY ITEMS FOR A COMPLETE SYSTEM, READY TO USE AS INTENDED.
- INSTALL TURNING VANES IN ALL SQUARE ELBOWS. PROVIDE BALANCING DAMPERS AND EXTRACTORS REQUIRED TO BALANCE THE SYSTEM TO THE AIR QUANTITY SHOWN.
- DIMENSIONS OF DUCTS ARE GIVEN AS FREE INSIDE DIMENSIONS. PROVIDE 1.5" THICK, 3.0 LB. DENSITY, R-6 DUCT LINER INSIDE ALL SUPPLY AND RETURN DUCTWORK.
- ALL DUCTWORK SHALL BE INSULATED METAL, WITH FLEXIBLE DUCT USED NO MORE THAN 8 FEET WITHIN EACH DIFFUSER OR GRILLE. ALL SUPPLY AND RETURN DUCTWORK LOCATED OUTSIDE THE BUILDING THERMAL ENVELOPE (NOT EXPOSED TO WEATHER) SHALL BE INSULATED TO A MINIMUM VALUE OF R-8 EITHER BY USING 3" THICK, R-8 ALL SERVICE FACED DUCT WRAP OR 2" THICK, R-4 ALL SERVICE FACED DUCT WRAP IN ADDITION TO SPECIFIED DUCT LINER. ALL SUPPLY AND RETURN DUCTWORK EXPOSED TO WEATHER SHALL BE EXTERIOR INSULATED TO A MINIMUM VALUE OF R=8 WITH RIGID BOARD INSULATION PROTECTED WITH ALUMAGUARD VAPOR/WEATHER/UV BARRIER. RIGID BOARD INSULATION SHALL BE 6 POUND DENSITY FACED FIBERGLASS, FACED POLYISO FOAM OR EXTRUDED POLYSTYRENE.
- OUTSIDE AIR DUCTWORK LOCATED WITHIN THE BUILDING THERMAL ENVELOPE SHALL BE WRAPPED WITH ALL SERVICE FACED DUCTWRAP 2" THICK, 1.0 POUND DENSITY, R-6.
- ALL POWER AND CONTROL WIRING SHALL BE BY THE ELECTRICAL CONTRACTOR.
- SMOKE DETECTORS SHALL BE INSTALLED IN THE RETURN DUCT FOR SYSTEMS OVER 2000 CFM. E.C. TO INTERCONNECT SMOKE DETECTOR WITH BUILDING FIRE ALARM SYSTEM. IN FACILITIES NOT EQUIPPED WITH BUILDING FIRE ALARM SYSTEMS, PROVIDED VISUAL AND AUDIBLE ALARM SIGNALING DEVICES LOCATED IN AN APPROVED LOCATION. DERIVE POWER FOR DETECTOR AND ALARMS FROM UNIT POWER SUPPLY. THIS CONTRACTOR TO PROVIDE WIRING FOR EQUIPMENT SHUTDOWN.
- THE MECHANICAL CONTRACTOR SHALL BE RESPONSIBLE FOR THE COMPLETE INSTALLATION AND START-UP OF THE MECHANICAL SYSTEMS; AND SHALL MAKE CHANGES IN SHEAVES, BELTS, AND DAMPERS AS REQUIRED FOR CORRECT BALANCE AS RECOMMENDED BY AIR TESTING AND BALANCING AGENCY AT NO ADDITIONAL COST TO OWNER. AIR TESTING AND BALANCING AGENCY SHALL DEVELOP A COMMISSIONING PLAN IN COMPLIANCE WITH SECTION C408.2.1 OF THE 2012 IECC AND PROVIDE TO OWNER.
- PROVIDE THE STANDARD ONE YEAR GUARANTEE ON PARTS AND LABOR. U.N.O
- TRAP AND ROUTE FULL SIZE CONDENSATE A MINIMUM 42" PERPENDICULAR AWAY FROM RTU. FINAL CONDENSATE SHALL DISCHARGE A MINIMUM 6' AWAY FROM UNIT IN DIRECTION OF NEAREST ROOF DRAIN OR BACK OF BUILDING..
- PROVIDE CONDENSATE OVERFLOW PROTECTION IN THE FORM OF AN AUXILIARY DRAIN PAN, SECONDARY DRAIN CONNECTION FROM THE PRIMARY DRAIN PAN OR AN OVERFLOW SWITCH IN THE PRIMARY PAN.

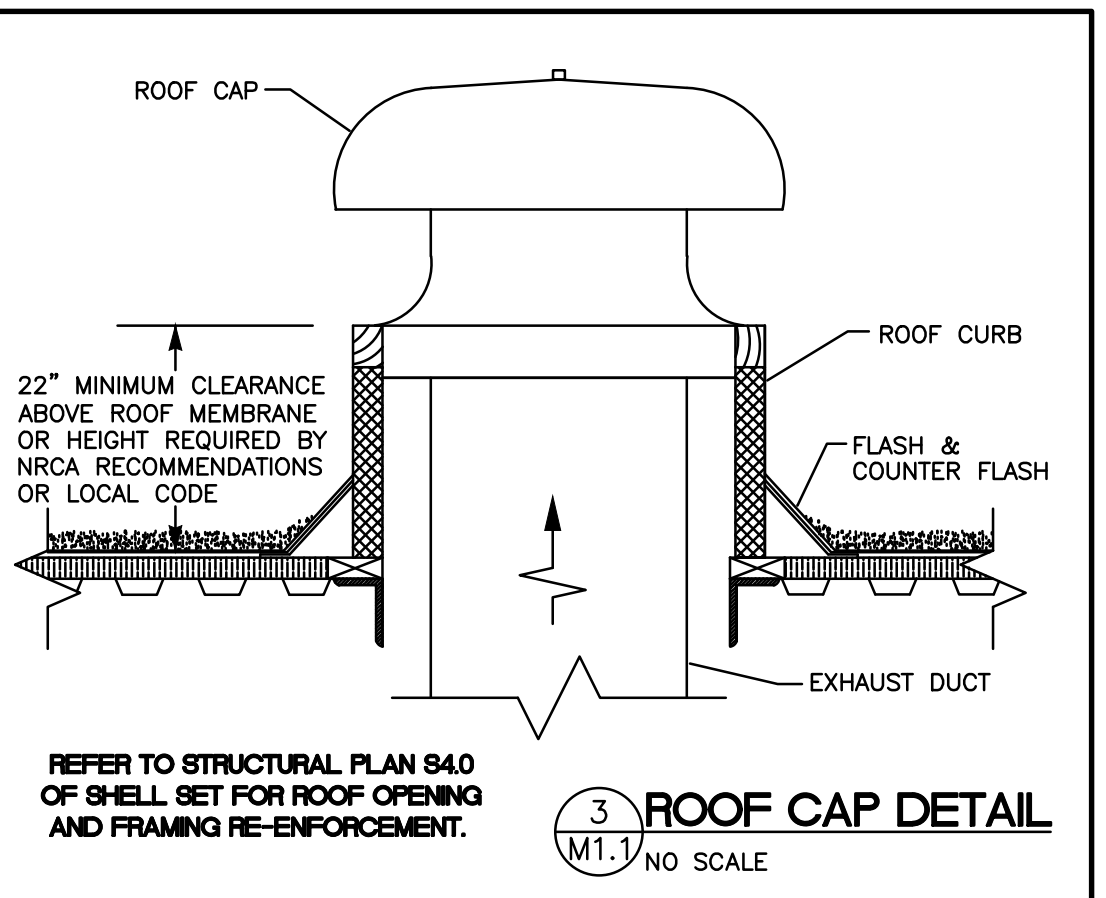


1 RTU CURB DETAIL
NO SCALE

MECHANICAL LEGEND



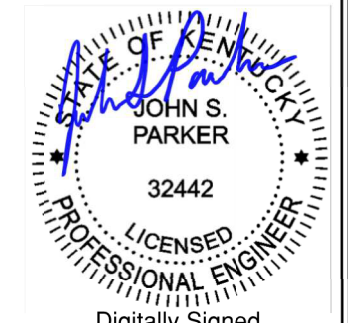
2 HVAC CONDENSATE DRAIN DETAIL
NO SCALE



3 ROOF CAP DETAIL
NO SCALE

HVAC ABBREVIATIONS

- DB - DRY BULB
- EAT - ENTERING AIR TEMPERATURE
- EC - ELECTRICAL CONTRACTOR
- EF - EXHAUST FAN
- EG - EXHAUST GRILLE
- GC - GENERAL CONTRACTOR
- LAT - LEAVING AIR TEMPERATURE
- MCA - MINIMUM CIRCUIT AMPS
- MC - MECHANICAL CONTRACTOR
- R - RETURN AIR DEVICE
- RTU - ROOF TOP UNIT
- S - SUPPLY
- VCD - VOLUME CONTROL DAMPER
- WB - WET BULB



Digitally Signed
 2025.06.24 14:21:37-04'00'
 NOTE: THIS DOCUMENT MAY HAVE BEEN ELECTRONICALLY TRANSMITTED. IF UNSIGNED, IT CANNOT BE FILED FOR PUBLIC RECORD. PUBLIC RECORD FILINGS REQUIRE SIGNED AND SEALED DOCUMENTS.