



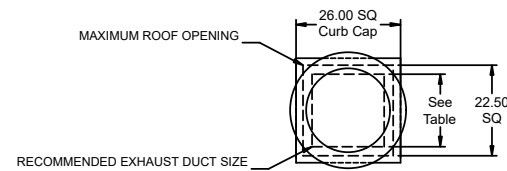
Direct Drive Upblast Centrifugal Roof Exhaust Fan

MARK INFORMATION		FAN INFORMATION						MOTOR INFORMATION					
QTY	MARK	MODEL	VOLUME (CFM)	TOTAL EXTERNAL SP (IN WG)	FAN RPM	OPERATING POWER (HP)	WEIGHT (LB.)	SIZE (HP)	V/C/P	ENCLOSURE	MOTOR RPM	WINDINGS	NEC FLA*
1	EF-1 (Hood-1)	XCUE-160-VG	2,550	1.2	1,330	0.87	106	2	208/60/1	TF	1725	1	13.2

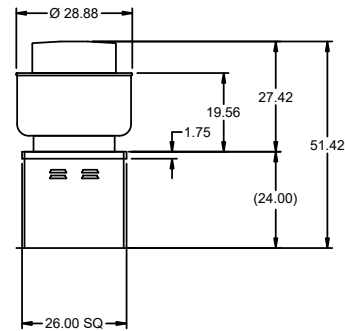
\*NEC FLA - Based on table 430.250 or 430.248 of National Electrical Code 2020. Actual motor FLA may vary for sizing thermal overload, consult factory

EF-1 (Hood-1) : SELECTED OPTIONS AND ACCESSORIES

One piece fully welded windband  
 Tapered bushing wheel hub  
 Breather tube outlet area min. 4.4 sq. in. (sizes 99-480), 2.0 sq. in. (sizes 60-95)  
 Min. windband material thickness: 0.051" aluminum (060-240), 0.064" aluminum (240HP, 240XP), 0.080" aluminum (sizes 300-480)  
 Larger Curb Cap Size - 26 Square  
 UL/cUL 705 Listed - Supplement SC - "Power Ventilators for Restaurant Exh. Appliances" (Formerly UL 762)  
 Switch, NEMA-3R, Toggle,  
 Aluminum Wheel Material

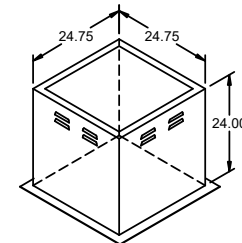


DUCT TYPE	SIZE
STANDARD	18 SQ
FIRE-WRAPPED	12 SQ



DUCT DIMENSIONS ARE LARGEST POSSIBLE DUCT TO FIT THROUGH CURB.  
 CONSULT SYSTEM DESIGN ENGINEER FOR RECOMMENDED DUCT SIZE.

OVERALL HEIGHT MAY BE GREATER DEPENDING ON  
 MOTOR, ADAPTER, AND/OR HINGE BASE.



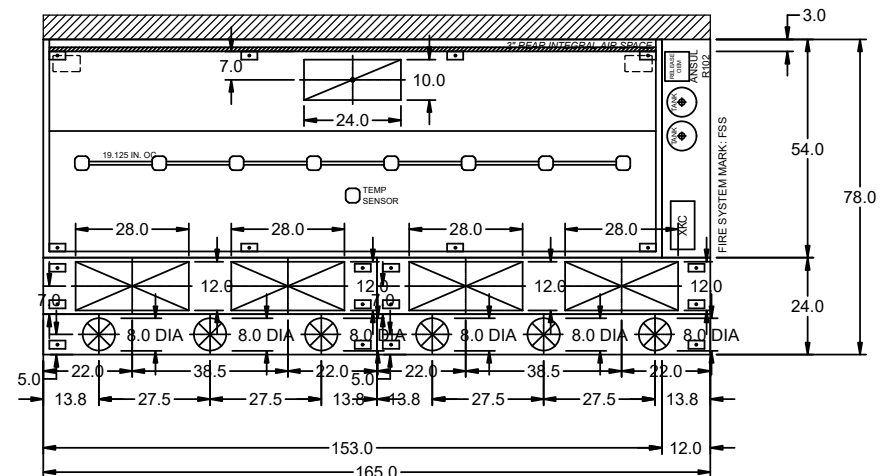
HOOD INFORMATION																	
HOOD NO.	MARK	MODEL	HOOD DIMENSIONS (IN.)			HOOD CONSTR.	COOKING LOAD / DUTY RATING	EXHAUST					SUPPLY		HANGING WEIGHT LBS.	SECTION LOCATION	
			LENGTH	WIDTH	HEIGHT			TOTAL CFM	COLLAR(S)			MUA CFM	AC CFM				
1	HOOD-1	XXEW-153-S	153	54	24	430 SS WHERE EXPOSED	HEAVY	2550	10	24		2550	0.483	1300	700	732	SINGLE

HOOD INFORMATION														
HOOD NO.	MARK	LIGHTING DETAILS				GREASE FILTRATION DETAILS				UTILITY CABINET(S)				
		FIXTURE TYPE	BULB / LAMP INFO	QTY	FOOT CANDLES	TYPE / MODEL MATERIAL	QTY	SIZE (IN.) L H	LOCATION	FIRE SYSTEM TYPE	SIZE	MODEL	CONTROLS INTERFACE	
1	HOOD-1	INCANDESCENT (GLOBE)	100W A19 (BULBS NOT INCL.)	8	54.77	X-TRACTOR (SPARK ARRESTOR INCL.) STAINLESS STEEL	2	16 20	20	RIGHT	ANSUL R102	6	XKC	TOUCHSCREEN

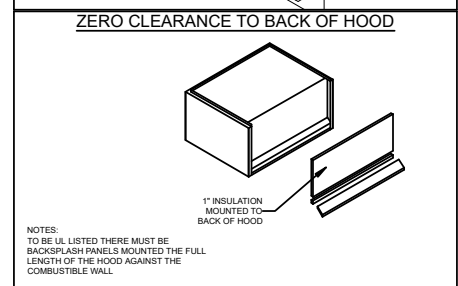
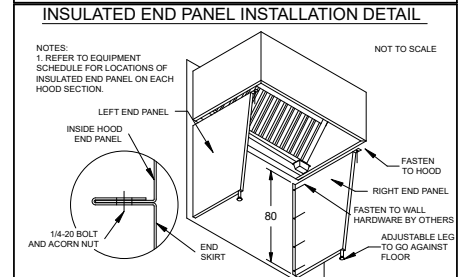
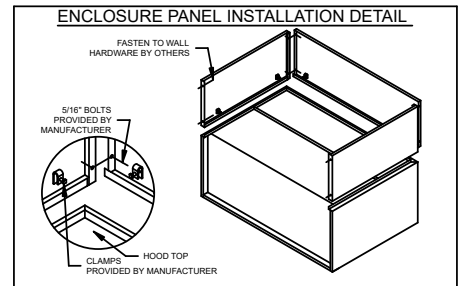
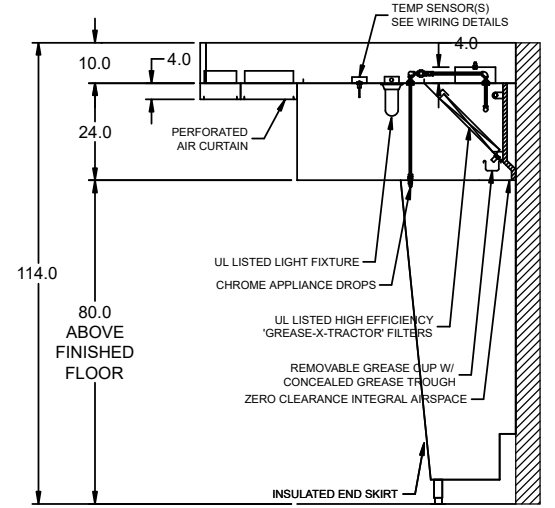
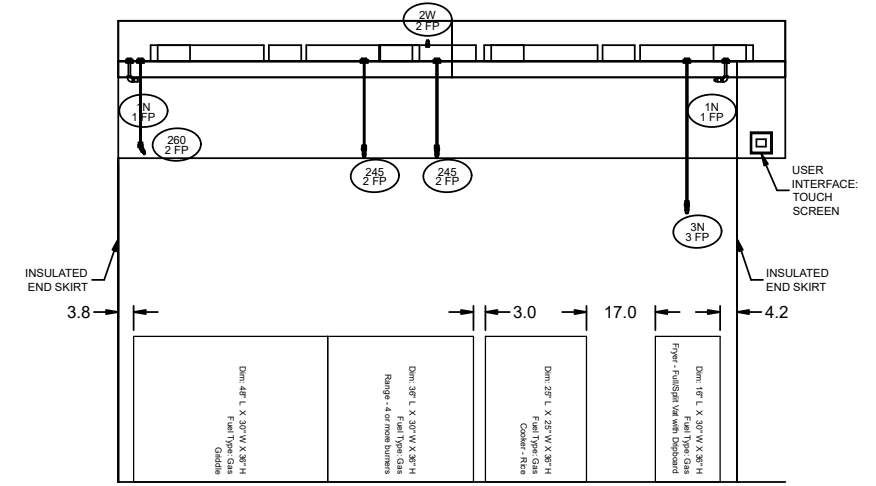
SUPPLY PLENUM INFORMATION																		
HOOD NO.	MARK	POS.	TYPE	SIZE (IN.)			INSULATED	DAMPER(S)	LED LIGHT(S)		TOTAL CFM	TOTAL S.P.	COLLARS					
				L	W	H			SUPPLIED	QTY			TYPE	MOUNTING	QTY	W	L	DIA.
1	HOOD-1	FRONT	SPLIT ASF	82.5	14	4	NO	NO		650	0	MUA	FACTORY	2	12	28	325	139
				82.5	10	4	YES	YES		350	0.02	AC	FACTORY	3			117	335
1	HOOD-1	FRONT	SPLIT ASF	82.5	14	4	NO	NO		650	0	MUA	FACTORY	2	12	28	325	139
				82.5	10	4	YES	YES		350	0.02	AC	FACTORY	3			117	335

**HOOD OPTIONS**

- UL 710 LISTED W/ OUT EXHAUST FIRE DAMPER - UL #R25625
- BACK INTEGRAL AIR SPACE - 3 IN WIDE - ZERO CLEARANCE
- 10 IN HIGH CEILING ENCLOSURES - FRONT LEFT RIGHT - FIELD INSTALLED
- FACTORY MOUNTED EXHAUST COLLAR(S)
- LEFT INSULD END PNL W/ ADJ LEG 80 IN HIGH 27.00 IN TOP WIDTH 21.0 IN BOTTOM WIDTH
- RIGHT INSULD END PNL W/ ADJ LEG 80 IN HIGH 27.00 IN TOP WIDTH 21.0 IN BOTTOM WIDTH
- PERFORMANCE ENHANCING LIP (PEL) TECHNOLOGY
- STANDING SEAM CONSTRUCTION FOR SUPERIOR STRENGTH

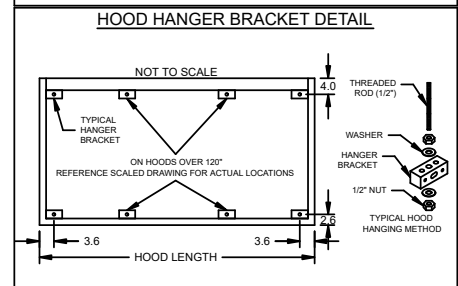
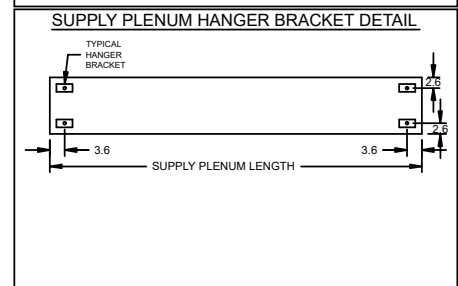


FIRE (PIPING/DROPS/NOZZLES/ETC.)  
SUBJECT TO CHANGE. AS-BUILT  
DRAWINGS CAN BE PROVIDED AT  
TIME OF ORDER AND INCLUDED  
WITH PRODUCT SHIPMENT



**HOOD HANGING HEIGHT FOR FIRE SYSTEMS**  
VERIFICATION OF HOOD HANGING HEIGHT ABOVE FINISHED FLOOR (A.F.F.) IS REQUIRED FOR CORRECT PLACEMENT OF FIRE SYSTEM NOZZLES.

- RECOMMENDED HANGING HEIGHT = 80" FROM FINISHED FLOOR TO LOWER FRONT EDGE OF HOOD.
- OTHER HANGING HEIGHT = \* FROM FINISHED FLOOR TO LOWER EDGE OF HOOD.



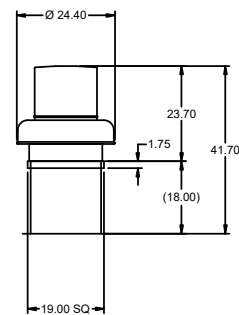
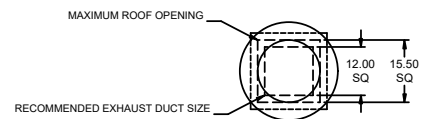
Direct Drive Centrifugal Roof Exhaust Fan

MARK INFORMATION		FAN INFORMATION						MOTOR INFORMATION					
QTY	MARK	MODEL	VOLUME (CFM)	TOTAL EXTERNAL SP (IN WG)	FAN RPM	OPERATING POWER (HP)	WEIGHT (LB.)	SIZE (HP)	V/C/P	ENCLOSURE	MOTOR RPM	WINDINGS	NEC FLA*
1	EF-2 (Restroom)	XRED-097-VG	150	0.6	1,330	0.05	43	0.25	115/60/1	TN	1725	1	5.8

\*NEC FLA - Based on table 430.250 or 430.248 of National Electrical Code 2020. Actual motor FLA may vary for sizing thermal overload, consult factory"

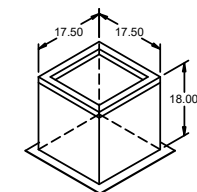
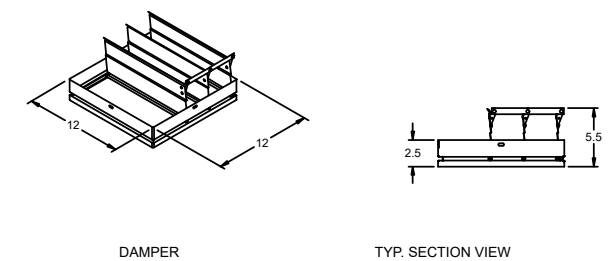
EF-2 (Restroom) : SELECTED OPTIONS AND ACCESSORIES

Standard Curb Cap Size - 19 Square  
 UL/cUL 705 Listed - "Power Ventilators"  
 Switch, NEMA-1, Toggle,  
 Damper Shipped Loose, BD-100-PB-12X12, Gravity Operated, Not Coated, Nominal Size  
 Birdscreen: Galvanized, nom. 84% Free Area  
 Conduit Chase Qty 1



DUCT DIMENSIONS ARE LARGEST POSSIBLE DUCT TO FIT THROUGH CURB.  
 CONSULT SYSTEM DESIGN ENGINEER FOR RECOMMENDED DUCT SIZE.

OVERALL HEIGHT MAY BE GREATER DEPENDING ON MOTOR, ADAPTER, AND/OR HINGE BASE.



PROJECT  
11/21/2024

CHIPOTLE-EDINBURG, TX 5470

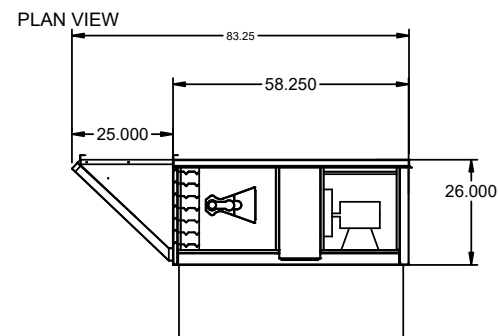
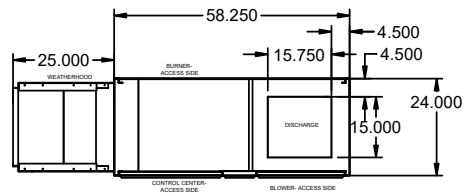
MARK

EF-2 (RESTROOM)

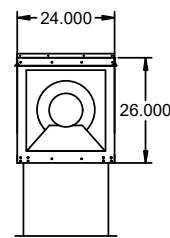
DIRECT CHAIN ACX  
 JOE AYOUB  
 JOE.AYOUB@ACCUREX.COM  
 (857)272-8727



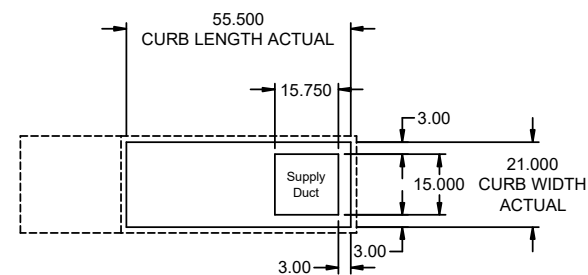
EQUIPMENT SCHEDULE										OPTIONS AND ACCESSORIES									
<b>Tempered Make-Up Air Unit</b>										Air Flow Arrangement: Outdoor Air Only Weatherhood: Aluminum Mesh, 16x20x2 - (2) Dampers: Inlet Outdoor Air Intake Position: End Discharge Position: Bottom Coating: Galvanized Insulation: Double Wall - Tempering On Supply Fan Control: Vari-Green ECM Vari-Green Control: Dial on Motor Access Side: Right-Hand Unit Weight: 421 lb Control Center Heat Inlet Air Sensor External Cooling Lockout Relay Unit Controls: Terminal Strip Temperature Control: Discharge Direct Gas Options/Accessories Approvals: ETL FM Compliant Flame Sensing: Flame Rod Ignition Control: Pilot									
Qty	Accurex Model	Volume	External SP	Total SP	MCA	MOP	Weight	SCCR	Mark: MAU-1										
1	XDGX-P115-H05-VG	1,300 CFM	0.5 in. wg	1,446 in. wg	21.3	35	421 lb	5kA											
Motor Information																			
Size	V/CP	Enclosure	Motor with Shaft Grounding	Motor RPM	Operating Power														
1 hp	115/60/1	ODP	No	1725	0.68 hp														
Heating																			
Type	Gas Type	Temperature	Energy	Connection	Building	Control	Gas Pressure												
Direct Gas	Natural	Winter DB   Max Δ   Max LAT	Input   Output   Efficiency	Gas (IN)	Gas Pressure	Access	Min   Max												
		10.0 F   60.0 F   70.0 F	91.6 MBH   84.2 MBH   92%	3/4"	1/2 PSI	Right Hand	7 in. wg   0.5 PSI												



ELEVATION VIEW



END VIEW



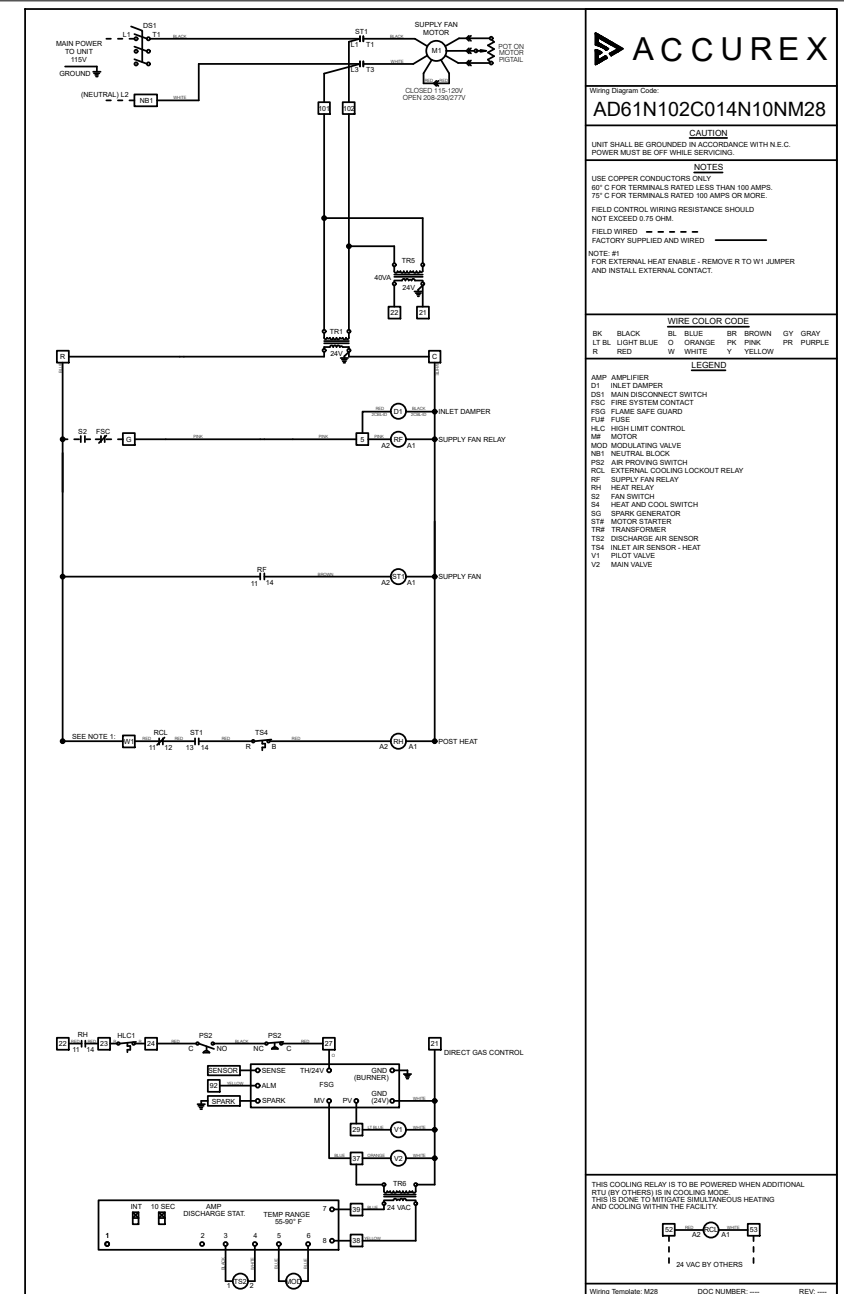
FOOTPRINT

NOTE: Roof Opening Requirements:

Minimum Roof Opening: The minimum roof opening size is the illustrated duct diameter plus 0.25 in. on all sides. For example: If the duct size is 14 x 14 in. square, the minimum roof opening size is 14.5 x 14.5 in. square.

Maximum Roof Opening: There must be a minimum perimeter of 1.75 in. between the roof opening and the roof curb. For example: If the roof curb is 75 x 30 in. square, the maximum roof opening is 71.5 x 26.5 in. inches square.

NOTE: The weatherhood and filter sections of the make-up air unit are not supported by the curb. This is by design, in order to help alleviate water infiltration issues. MUA Unit supports are shipped loose with unit.



**ACCUREX**

Wiring Diagram Code:  
**AD61N102C014N10NM28**

**CAUTION**  
UNIT SHALL BE GROUNDING IN ACCORDANCE WITH N.E.C. POWER MUST BE OFF WHILE SERVICING.

**NOTES**  
USE COPPER CONDUCTORS ONLY  
60° C FOR TERMINALS RATED LESS THAN 100 AMPS.  
75° C FOR TERMINALS RATED 100 AMPS OR MORE.  
FIELD CONTROL WIRING RESISTANCE SHOULD NOT EXCEED 0.75 OHM.  
FIELD WIRING: ———— NO ————  
FACTORY SUPPLIED AND WIRED

NOTE #1  
FOR EXTERNAL HEAT ENABLE, REMOVE R TO W1 JUMPER AND INSTALL EXTERNAL CONTACT.

**WIRE COLOR CODE**  
BK BLACK BL BLUE BR BROWN GY GRAY  
LT LT LIGHT BLUE O ORANGE PK PINK PR PURPLE  
R RED W WHITE Y YELLOW

**LEGEND**  
AMP AMP LIFIER  
D1 INLET DAMPER  
DS1 MAIN DISCONNECT SWITCH  
FSC FIRE SYSTEM CONTACT  
FSG FLAME SAFE GUARD  
FUSE FUSE  
HLC HIGH LIMIT CONTROL  
IM MOTOR  
MCM MODULATING VALVE  
NB1 NEUTRAL BLOCK  
P2 AIR PROVIDING SWITCH  
RCL EXTERNAL COOLING LOCKOUT RELAY  
RF SUPPLY FAN RELAY  
RH HEAT RELAY  
S2 FAN SWITCH  
S4 HEAT AND COOL SWITCH  
SG SPARK GENERATOR  
STB MOTOR STARTER  
T1B TRANSFORMER  
T2S DISCHARGE AIR SENSOR  
T2R INLET AIR SENSOR - HEAT  
V1 PILOT VALVE  
V2 MAIN VALVE

THE COOLING RELAY IS TO BE POWERED WHEN ADDITIONAL RTU'S BY OTHERS IS IN COOLING MODE. THIS IS DONE TO MITIGATE SIMULTANEOUS HEATING AND COOLING WITHIN THE FACILITY.

Wiring Diagram: M28 DOC NUMBER: ——— REV: ———

DIRECT CHAIN ACX  
JOE AYOUB  
JOE.AYOUB@ACCUREX.COM  
(857)272-8727

**ACCUREX**

PROJECT: 11/21/2024  
MARK: MAU-1  
CHIPOTLE-EDINBURG, TX 5470



MAU-1

CONTROL INFORMATION

MARK	ELECTRICAL CONTROL PACKAGE		USER INTERFACE		FANS CONTROLLED											
	MODEL	LOCATION	TYPE	LOCATION	FAN #	TYPE	FAN	FAN MARK	ZONE	CFM	MOTOR HP	MOTOR VOLT	CYCLE	MOTOR PHASE	MOTOR STARTER IN PANEL	VFD IN PANEL
HOOD CONTROLS	XKC-CV-SB-11-1-0	RIGHT CABINET ON HOOD-1	FULL COLOR TOUCHSCREEN	CABINET - RIGHT CABINET ON HOOD-1	1	SUPPLY	S1	MAU-1	1	1300	1	115	60	1	NO	NO
					2	EXHAUST	E1	EF-1 (HOOD-1) SINGLE PHASE	1	2550	2	208	60	1	NO	NO

**CONTROL FEATURES**  
 HOOD LIGHT CONTROL  
 TEMP SENSORS (FACTORY INSTALLED) - QTY. 1  
 DRY FIRE CONTACTS - QTY. 2  
 LIGHTS OFF DURING FIRE  
 EXHAUST MAX DURING FIRE  
 SUPPLY OFF DURING FIRE  
 BMS INTEGRATION - BACNET MSTP

**SPECIAL DESIGN REQUESTS**  
 SDR #K2300291-1 - APPLIANCE CONTACTORS - 20A



DOC NUMBER: --- REV: ---

**CAUTION**  
 UNIT MUST BE GROUNDED IN ACCORDANCE WITH N.E.C. POWER MUST BE OFF WHILE SERVICING.

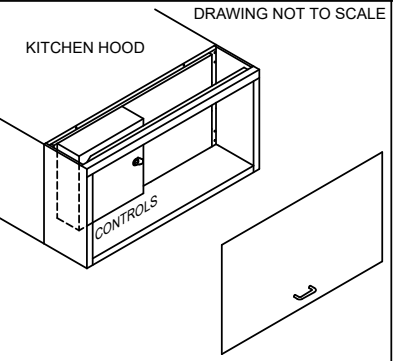
**ATTENTION**  
 L'APPAREIL DOIT ÊTRE MIS À LA TERRE CONFORMÉMENT AU CODE C.E. L'ALIMENTATION DOIT ÊTRE COUPÉE DURANT L'ENTRETIEN.

COMMERCIAL APPLIANCE OUTLET CENTER  
 ELECTRICAL RATINGS: 110-240V, 1PHASE, 50-60HZ, 15A  
 BASE FILE #E200616, ML FILE #E313951

THESE DRAWINGS SHALL NOT BE REMOVED FROM THIS EQUIPMENT. USE COPPER CONDUCTORS RATED TO 90°C UNLESS SPECIFIED. TORQUE CONTROL & GROUND BLOCKS TO 8 LBS. IN. TORQUE POWER LUGS/SCREWS TO COMPONENT RATINGS LISTED. TORQUE CONTROL BOARD SCREW TERMINALS TO 3.5 LBS. IN. FIELD CONTROL WIRING RESISTANCE SHOULD NOT EXCEED 0.75 OHM. SEE IOM FOR ADDITIONAL INFORMATION, OR CALL FACTORY AT 1-800-371-8858.

NE PAS RETIRER CES DESSINS DE CET ÉQUIPEMENT SAUF INDICATION CONTRAIRE. UTILISER DES CONDUCTEURS EN CUIVRE CLASSÉS 90 °C. SERRER LES BORNES EN CUIVRE CLASSÉS 90 °C. SERRER LA TERRE À 8 LB-PO. SERRER LES COSSÉS/VIS D'ALIMENTATION AUX COUPLES INDICQUÉS POUR LE COMPOSANT. SERRER LES BORNES À VIS DE LA CARTE DE COMMANDE À 3.5 LB-PO. LA RÉSISTANCE DU CÂBLAGE DE COMMANDE LOCAL NE DOIT PAS DÉPASSER 0.75 OHM. POUR PLUS D'INFORMATION, CONSULTER LE MANUEL OU APPELER 1-800-371-8858.

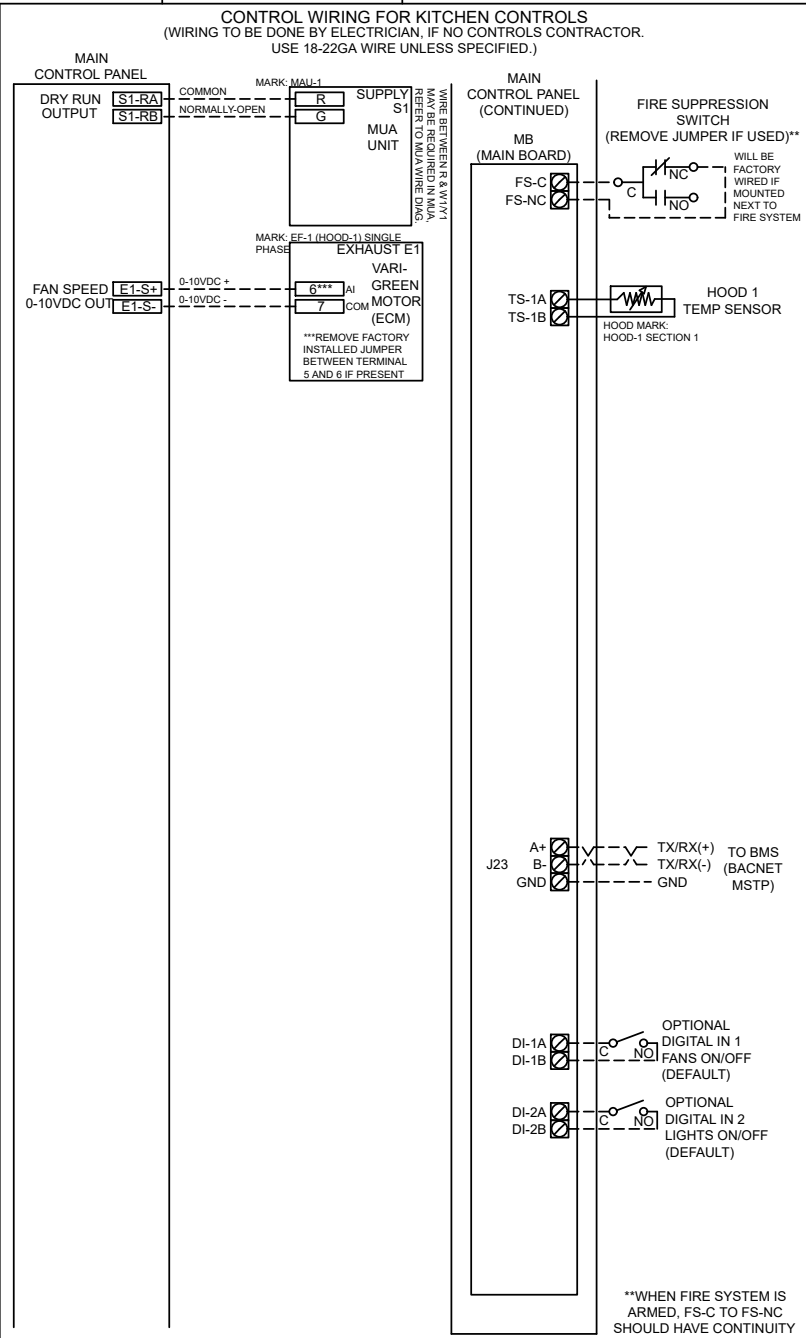
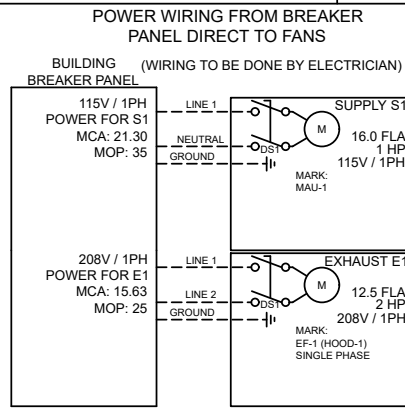
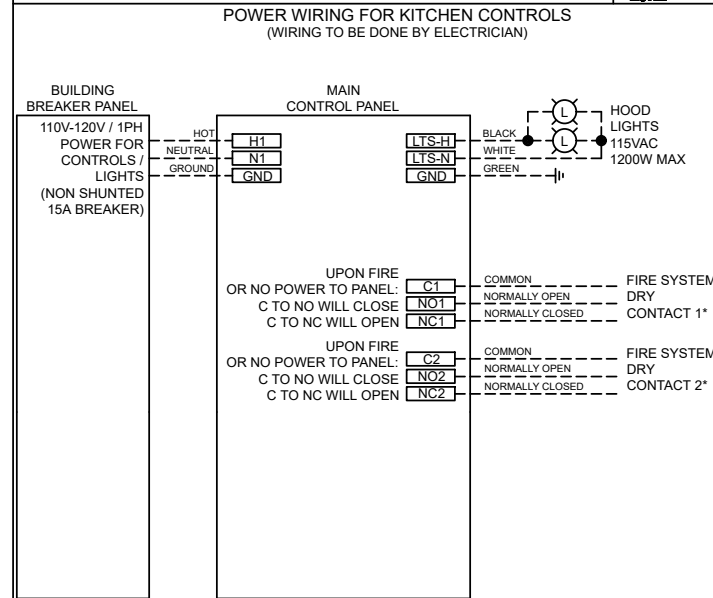
WIRING DIAGRAM CODE: WDC#  
 JOB NAME: CHIPOTLE-EDINBURG, TX 5470  
 MODEL: XKC-CV-SB-11-1-0  
 SERIAL NUMBER: WDSN#  
 MARK: HOOD CONTROLS

**CABINET DETAILS**  
 DRAWING NOT TO SCALE  


**USER INTERFACE DETAILS**  
 MOUNTING TYPE  
 FACTORY MOUNTED:  
 UTILITY CABINET - RIGHT END OF HOOD  
 USER INTERFACE CONTROL  
 FANS AND LIGHTS  
 INTERFACE CABLE LENGTH  
 7FT (FACTORY PROVIDED)

MOUNTING LOCATION:  
 UTILITY CABINET ON HOOD  
 (INNER CONTROL BOX: 12 X 20 X 6)

NOTES:  
 1) WHEN CONTROLS ARE MOUNTED IN HOOD-MOUNTED OR WALL-MOUNTED UTILITY CABINET, FOR HOOD OR WALL CABINET DIMENSIONS SEE HOOD SUBMITTAL.  
 2) MINIMUM OF 36" OF CLEARANCE RECOMMENDED IN FRONT OF CONTROL CABINET



WIRING DIAGRAM CODE: WDC#  
 JOB NAME: CHIPOTLE-EDINBURG, TX 5470  
 MODEL: XKC-CV-SB-11-1-0  
 SERIAL NUMBER: WDSN#  
 MARK: HOOD CONTROLS  
 DOC NUMBER: --- REV: ---

**DEFAULT SETTINGS / PARAMÈTRES PAR DÉFAUT**

FACTORY SETTINGS  
 TYPE: CV  
 CONFIGURATION: STANDARD  
 ZONES: 1  
 HOODS: 1  
 SUMPS: 0  
 EXHAUST FANS: 1  
 SUPPLY FANS: 1  
 MB ROOM SENSOR: NO  
 MB TEMP SENSORS: 1  
 HIGH TEMP FAULT: NO  
 FREEZE PROTECTION: YES  
 GAS RESET: NO  
 FAN PROVING: NO  
 BMS: BACNET MSTP

**ZONE SETTINGS**  
 SEE ZONE CONFIGURATION IN TABLE ON LEFT

**HOOD SETTINGS**  
 SEE HOOD CONFIGURATION IN TABLE ON LEFT

**EXHAUST FAN SETTINGS**  
 SEE FAN CONFIGURATION IN TABLE ON LEFT

**SUPPLY FAN SETTINGS**  
 SEE FAN CONFIGURATION IN TABLE ON LEFT

**SENSOR SETTINGS**  
 SEE HOOD CONFIGURATION IN TABLE ON LEFT

**USER INTERFACE SETTINGS (MB)**  
 FAN & LIGHT BUTTONS: SHOW BOTH (SEPERATE)

**USER INTERFACE SETTINGS (HCB)**  
 NA

**GENERAL SETTINGS**  
 TIME ZONE: CENTRAL DAYLIGHT (DEFAULT)

**FIRE/FAULT SETTINGS**  
 EXHAUST DURING FIRE: MAX  
 SUPPLY DURING FIRE: OFF  
 LIGHTS DURING FIRE: OFF

**BMS SETTINGS**  
 BAUD RATE: 9600  
 MAC ADDRESS: 0  
 MAX MASTER: 127  
 MAX INFO FRAMES: 20

PRG VERSION: V4

ZONE #	ZONE	ROOM TEMP
1	Z1	PRESET

HOOD #	HOOD	HOOD MARK	ZONE	EXHAUST	SUPPLY	MB-TEMP SENSORS	HCB
1	H1	HOOD-1 SECTION 1	Z1	E1	S1	TS1	NO

FAN #	TYPE	FAN	FAN MARK	ZONE	MIN CFM	MAX CFM	MODBUS VFD	VFD ADDRESS	MIN FREQ.	MAX FREQ.	MIN VDC	MAX VDC
1	SUPPLY	S1	MAU-1	Z1	-	1300	NO	-	-	-	-	10.0
2	EXHAUST	E1	EF-1 (HOOD-1) SINGLE PHASE	Z1	-	2550	NO	-	-	-	-	7.7

SERVICE INFORMATION

MARK: CERTIFICATION	MODEL: CERTIFICATION
ITEM: SERVICE	QUANTITY: 1

ACCUREX AFTERMARKET CERTIFICATION PROGRAM CONFIRMS THE EQUIPMENT IS INSTALLED AND OPERATING ACCORDING TO THE MANUFACTURER'S REQUIREMENTS BY A FACTORY AUTHORIZED SERVICER (FAS). INSTALLATION AND START-UP OF EQUIPMENT PER THE MANUFACTURER'S INSTALLATION AND OPERATIONS MANUAL TO BE PERFORMED BY OTHERS PRIOR TO THIS SERVICE. A WRITTEN REPORT WILL BE PROVIDED AFTER THIS SERVICE IS COMPLETED.

TRIP QUANTITY: 1

ONE TRIP TO THE JOBSITE INCLUDED FOR THE CERTIFICATION WORK TO BE PERFORMED (TIME ONSITE TBD BASED ON EQUIPMENT SELECTED)

EQUIPMENT INCLUDED IN CERTIFICATION:

- HOOD CONTROLS
- MAU-1
- EF-2 (RESTROOM)
- HOOD-1
- EF-1 (HOOD-1)

	PROJECT: 11/21/2024	MARK: CERTIFICATION
	DIRECT CHAIN ACX JOE AYUB JOE.AYUB@ACCUREX.COM (857)272-8727	CHIPOTLE-EDINBURG, TX 5470

FIRE SYSTEM INFORMATION

MARK	MODEL	LOCATION	FLOW POINTS		SUPPLY LINE	DETECTION	MARK(S) PROTECTED BY FIRE SYSTEM
			HOODS	PCU			
FSS	ANSUL R-102 WET CHEMICAL	CABINET – RIGHT END OF HOOD-1	13 UTILIZED 22 AVAILABLE		CONTINUOUS	FUSIBLE LINK	HOOD-1 SECTION 1

FIRE SYSTEM OPTIONS AND ACCESSORIES

FULL INSTALLATION (INCLUDES PRE-PIPED HOOD(S) WITH DETECTION AND FACTORY COORDINATED INSTALL)  
 CHROME SLEEVES FOR FACTORY PROVIDED APPLIANCES DROPS - INCLUDED  
 METAL BLOW-OFF CAPS - INCLUDED  
 GAS VALVE - INCLUDED - ELECTRICAL SHUTOFF VALVE, 1.5", 110V, 60HZ - PART# 455396  
 HOOD SUPPRESSION TANK - INCLUDED - 6 GAL. - [(2) 3.0 TANK(S)]  
 REMOTE PULL STATION - STANDARD - FIELD INSTALLATION AT SINGLE POINT OF EGRESS

ANSUL R102 (WET CHEMICAL) FIRE PROTECTION SYSTEM - MODEL FSSC

**CONTROL PANEL**

NOT TO SCALE

**WIRING DIAGRAM FOR MICRO SWITCHES**

NOTE: IF ELECTRIC RELEASE, BOTH UPPER SWITCHES WILL BE USED FOR ACTUATING ADDITIONAL AUTOMANS (THEY WILL BE WIRED TO EACH OTHER AND TO THE BROWN WIRE ON THE ELECTRIC SOLENOID). THEREFORE, USE ONE OF THE UN-UTILIZED LOWER SWITCHES TO WIRE BACK TO CONTROL PANEL (DO NOT USE EITHER OF THE UPPER SWITCHES).

IF USING LOWER SWITCHES TO WIRE BACK TO CONTROL PANEL, NORMALLY-CLOSED WILL BE BLACK LEAD, AND NORMALLY-OPEN WILL BE BROWN LEAD.

DPDT SWITCHES PROVIDED BY MANUFACTURER MAY BE WIRED PER TYPICAL EXAMPLES SHOWN. VERIFY WITH LOCAL CODES AND EQUIPMENT SUPPLIED AS THE CONNECTION NEEDED FOR YOUR INSTALLATION.

**WIRING DIAGRAM FOR MANUAL RESET RELAY (ELECTRIC GAS VALVE ONLY)**

\*\*GAS VALVES: "UL LISTED ELECTRICALLY-OPERATED SAFETY VALVE FOR NATURAL OR LP GAS AS NEEDED OF APPROPRIATE PRESSURE AND TEMPERATURE RATING, 110/60/1/2" OR ANSUL GAS VALVES, PART NUMBERS 13707, 13708, 13709, 13710 AND 17643.

SEE ANSUL MANUAL SECTION 5 - INSTALLATION INSTRUCTIONS FOR ADDITIONAL WIRING SCHEMATICS FOR MANUAL RESET RELAY

**NOTES:**

WET CHEMICAL FIRE PROTECTION SYSTEM TO BE ANSUL R-102, DESIGNED IN COMPLIANCE WITH UL 300 REQUIREMENTS.

- VERIFICATION OF ALL COOKING EQUIPMENT MAKE, MODEL AND LOCATION REQUIRED FOR ALL FIRE PROTECTION SYSTEMS.
- ALL FIRE SYSTEM PIPING IS STANDARDLY TO THE RIGHT END OF THE HOOD UNLESS A WALL IS LOCATED ON THE RIGHT END.
- ANSUL AUTOMAN RELEASE TO BE LOCATED WITHIN 60" OF HOOD.

THE BASIC FIRE SYSTEM WILL INCLUDE THE FOLLOWING:

- GAS SHUT-OFF VALVE, IF REQUIRED, TO BE SUPPLIED BY MANUFACTURER (UP TO 2" DIAMETER AS STANDARD), AND INSTALLED BY A LICENSED PLUMBER.
- MICRO SWITCH TO BE SUPPLIED BY MANUFACTURER FOR CONNECTION TO, BUT NOT LIMITED TO, BUILDING ALARM SYSTEM(S), EXHAUST AND SUPPLY FANS AND ELECTRICAL POWER SHUT DOWN. FIELD WIRING AND CONNECTIONS TO BE PERFORMED BY A LICENSED ELECTRICIAN.

THE BASIC FIRE SYSTEM DOES NOT INCLUDE THE FOLLOWING:

- FULL DUMP TEST OTHER THAN WHAT IS SPECIFIED PER THE INSTALLATION MANUAL, OR TO SATISFY A STATE OR LOCAL CODE. PERMIT AND TESTING FEES ARE NOT INCLUDED UNLESS NOTED UNDER THE EQUIPMENT SCHEDULE FOR THE FIRE SYSTEM
- MORE THAN TWO TRIPS TO THE JOBSITE OR SPECIAL TRANSPORTATION, OR OVERNIGHT LODGING REQUIREMENTS IN REMOTE AREAS. NORMAL TRAVEL DISTANCE IS FIRST 50 MI. (80.5 KM) FROM OFFICE.
- SPECIAL CLASSES OR ADDITIONAL LABOR FOR ACCESS TO SECURITY SENSITIVE AREAS
- INSTALLATION OF GAS SHUT-OFF VALVE.
- SPECIAL DRAWINGS REQUIRED TO SATISFY STATE OR LOCAL CODE. PLAN EXAMINATION FEES, PE OR FS APPROVAL STAMP
- UNION LABOR, GOVERNMENT LABOR, OR PREVAILING WAGES REQUIRED FOR FINAL FIELD HOOK-UP
- ANY AND ALL ELECTRICAL COMPONENTS/CONNECTIONS REQUIRED TO SHUT DOWN FANS, SHUT OFF DEVICE FOR ELECTRIC COOKING EQUIPMENT (SHUNT TRIP BREAKER), OR ACTIVATE AN ALARM SYSTEM, ETC.
- ANY DISMANTLING OR REASSEMBLY REQUIRED TO GAIN ACCESS TO THE FIRE SUPPRESSION PIPING LOCATED ON THE TOP OF THE HOOD
- ROUGH-IN HIDDEN CONDUIT FOR REMOTE PULL STATION OR GAS VALVE (FLUSH MOUNTED PULL STATION).
- INSTALLATION OF MORE THAN (1) REMOTE PULL STATIONS OR DISTANCES GREATER THAN 20 FT (6.1M.)
- PARTS OR LABOR REQUIRED TO CORRECT PIPING DUE TO COOKING EQUIPMENT CHANGES OR DEVIATION FROM PLANS. OR ANY CHARGES FOR MISSING OR ADDITIONAL PARTS OTHER THAN THOSE INDICATED ON THE FIRE SUPPRESSION DETAIL.

**CONNECTION TO BUILDINGS ALARM**

**CONNECTION TO KC (PCB) CONTROL PANEL**

NOTES:  
 1. --- DENOTES FIELD INSTALLATION.  
 2. ——— DENOTES FACTORY INSTALLATION.

PROJECT  
11/21/2024

MARK

ANSUL R102 (WET CHEMICAL) FIRE PROTECTION SYSTEM - MODEL FSSC

CHIPOTLE-EDINBURG, TX 5470

FSS

DIRECT CHAIN ACX  
 JOE AYUB  
 JOE.AYUB@ACCUREX.COM  
 (857)272-8727



513 MAIN STREET, SUITE 300  
FORT WORTH, TEXAS 76102  
(817) 820-0433

SEAL



CONSTRUCTION SET -  
05/15/2025

COPYRIGHT 2019  
THIS DRAWING IS AN INSTRUMENT OF SERVICE  
AND AS SUCH REMAINS THE PROPERTY OF  
CHIPOTLE MEXICAN GRILL, INC. PERMISSION FOR  
USE OF THIS DOCUMENT IS LIMITED AND CAN BE  
EXTENDED ONLY BY WRITTEN AGREEMENT WITH  
CHIPOTLE MEXICAN GRILL, INC.



CHIPOTLE MEXICAN GRILL, INC.  
PO BOX 182566  
COLUMBUS, OH 43218-2566  
TELEPHONE: 614.318.2400  
INTERNET: WWW.CHIPOTLE.COM

STORE NO.: 5470  
EDINBURG  
4112 S. BUSINESS HIGHWAY  
281  
EDINBURG, TX 78539

Issue Record:  
09/05/24 PERMIT SET

Revisions:  
1 05/07/2024 TI REV #1  
A 07/22/2025 CONSTRUCTION BULLETIN A

Drawn: JW Checked: JW

Project No:  
24-0148

Contents:  
MECHANICAL SCHEDULES

M600

**AIR BALANCE SCHEDULE**

TAG	SUPPLY FLOW	RETURN FLOW	EXHAUST FLOW	SUBTOTAL
EF-1	0 CFM	0 CFM	2,550 CFM	-2,550 CFM
EF-2	0 CFM	0 CFM	150 CFM	-150 CFM
MAU-1	1,300 CFM	0 CFM	0 CFM	1,300 CFM
RTU-1	4,000 CFM	3,500 CFM	0 CFM	500 CFM
RTU-2	4,000 CFM	3,000 CFM	0 CFM	1,000 CFM
NET PRESSURIZATION				100 CFM

**CONTROL FUNCTIONS**

- A. THE MAIN COOKING EXHAUST FAN AND MAKE-UP AIR UNIT SHALL BE INTERLOCKED TO OPERATE TOGETHER. THIS CONTROL CIRCUIT IS ACTIVATED BY A SWITCH AND INCLUDES A FIRE PROTECTION OVERRIDE.
- B. THE TEMPERATURE IN EACH ZONE IS CONTROLLED BY SPACE TEMPERATURE SENSORS CONNECTED TO THE THERMOSTATS LOCATED IN THE OFFICE. ALL ZONES SHALL OPERATE WITH CONTINUOUS FAN OPERATION DURING OCCUPIED TIMES AND INTERMITTENTLY AS NEEDED TO MAINTAIN SET POINTS DURING UNOCCUPIED TIMES. OUTSIDE AIR DAMPERS SHALL BE OPEN CONTINUOUSLY WHEN EITHER IN OCCUPIED MODE OR WHEN THE HOOD SYSTEM IS ON AND SHALL BE CLOSED DURING UNOCCUPIED PERIODS.
- C. THE THERMOSTATS SHALL DETERMINE OCCUPIED/UNOCCUPIED STATUS BASED ON THE SCHEDULE IN THE ENERGY MANAGEMENT SYSTEM.

**SANITIZING EQUIPMENT SCHEDULE**

TAG	COUNT	DESCRIPTION	FURNISHED BY	INSTALLED BY	BASIS FOR DESIGN		REMARKS
					MANUFACTURER	MODEL	
SB-1	2	BATHROOM AIR PURIFICATION UNIT	TUV	GC	RGF ENVIRONMENTAL GROUP	BRU ASSEMBLY	SEE ELECTRICAL SHEETS FOR CONNECTION INFORMATION
SH-1	2	HVAC AIR PURIFICATION UNIT	TUV	GC	RGF ENVIRONMENTAL GROUP	REME-HALO	SEE DETAIL 6/M700 FOR INSTALLATION INFORMATION.
SI-1	3	ICE MACHINE TREATMENT SYSTEM	TUV	GC	RGF ENVIRONMENTAL GROUP	IMS-B-GA	SEE PLUMBING DRAWINGS FOR INSTALLATION INFORMATION.

**FAN SCHEDULE**

TAG	DESCRIPTION	AIRFLOW	E.S.P.	WEIGHT	ELECTRICAL		FURNISHED BY	INSTALLED BY	BASIS FOR DESIGN		REMARKS
					MOTOR POWER	V/P/H			MANUFACTURER	MODEL	
EF-1	UPBLAST GREASE EXHAUST FAN	2,550 CFM	1.20 in-wg	106 lb	2 hp	208/1/60	HS	GC	ACCUREX	XCUE-160-VG	DIRECT DRIVE DU180HFA UPBLAST EXHAUST FAN FURNISHED WITH WEATHERPROOF DISCONNECT AND VENTED ROOF CURB
EF-2	DOWNBLAST RESTROOM EXHAUST FAN	150 CFM	0.60 in-wg	43.2 lb	0.25 hp	115/1/60	HS	GC	ACCUREX	XRED-097-VG	DIRECT DRIVE DOWNBLAST RESTROOM EXHAUST FAN FURNISHED WITH INTEGRAL DISCONNECT, SPEED CONTROL, BACKDRAFT DAMPER, AND CURB

**VIROGUARD SCHEDULE**

TAG	COUNT	DESCRIPTION	DUCT CONNECTION SIZE	FAN	FURNISHED BY	INSTALLED BY	BASIS FOR DESIGN MANUFACTURER
VG-1	1	VIROGUARD HOOD EXHAUST FAN ROOFTOP CONTAINMENT SYSTEM	16" X 16"	ACCUREX XRED-097-VG	TDC	GC	ENVIROMATIC

**CONDENSING UNIT SCHEDULE**

TAG	DESCRIPTION	NOMINAL CAPACITY	NUMBER OF		REFRIGERANT		WEIGHT	ELECTRICAL			FURNISHED BY	INSTALLED BY	BASIS FOR DESIGN		REMARKS
			COMPRESSORS	CIRCUITS	TYPE	CHARGE		MOCP	FLA	V/P/H			MANUFACTURER	MODEL	
CU-1	CONDENSING UNIT - WALK-IN COOLER		1	1	R-404A	10.4 lb	250 lb	15 A	9 A	208/1/60	WCS	GC	RUSSELL DOE	RF0060M4SDAALNT	FURNISHED WITH WALK-IN COOLER
CU-2	REMOTE CONDENSER - LOW CAPACITY ICE MAKER		0	1	R-404A	11.46 lb	100 lb			120/1/60	KES	GC	HOSHIZAKI	URC-9F	FURNISHED WITH ICE MAKER
CU-3	REMOTE CONDENSER - SODA MACHINE ICE MAKER		0	1	R-404A	3.86 lb	100 lb			120/1/60	KES	GC	HOSHIZAKI	URC-5F	FURNISHED WITH ICE MAKER

**MAKEUP AIR UNIT SCHEDULE**

TAG	DESCRIPTION	AIRFLOW	E.S.P.	HEATING			WEIGHT	ELECTRICAL		FURNISHED BY	INSTALLED BY	BASIS FOR DESIGN		REMARKS
				INPUT	OUTPUT	EAT		MCA/MOCP	V/P/H			MANUFACTURER	MODEL	
MAU-1	DIRECT-FIRED MAKEUP AIR UNIT	1,300 CFM	0.50 in-wg	91,600 Btu/h	84,200 Btu/h	10 °F	421 lb	21.3/35.0	115/60/1	HS	GC	ACCUREX	XDGX-P115-H05-VG	12.5:1 MAX TURNDOWN. FURNISHED WITH DISCONNECT, ROOF CURB, SCREEN INTAKE, AND WASHABLE ALUMINUM FILTERS

**KITCHEN HOOD SCHEDULE**

TAG	DESCRIPTION	MAX COOKING TEMP.	EXHAUST PLENUM							PERFORATED SUPPLY PLENUMS							BASIS FOR DESIGN		REMARKS						
			AIRFLOW	E.S.P.	DUCT COLLARS			LENGTH	WIDTH	LENGTH	WIDTH	MAU PLENUM			AC PLENUM		NO. OF LIGHT FIXTURES	WEIGHT		FURNISHED BY	INSTALLED BY	MANUFACTURER	MODEL		
					NO.	WIDTH	LENGTH					AIRFLOW	NO.	WIDTH	LENGTH	AIRFLOW								NO.	DIAMETER
HD-1	TYPE I CANOPY HOOD WITH PERFORATED MAU AND AC SUPPLY PLENUMS	600 °F	2,550 CFM	0.96 in-wg	1	10"	24"	13'-9"	4'-6"	13'-9"	24"	1,300 CFM	4	12"	2'-4"	696 CFM	6	8"	8	732 lb	HS	GC	ACCUREX	XXEW-153-S	MAT'L: 18 GA. TYPE 430 SS. FURNISHED WITH QUARTER END PANELS, VAPORPROOF INCANDESCENT LIGHT FIXTURES, 16" TALL HE SS FILTERS, INTEGRAL UTILITY CABINET, ANSUL SYSTEM, DUCT COLLAR TEMPERATURE SENSOR, PREWIRE PACKAGE, SPARE FIRE SYSTEM DRY CONTACT, AND 4-POLE 20A CONTACTOR

**ROOFTOP UNIT SCHEDULE**

TAG	DESCRIPTION	NOMINAL CAPACITY	EER	AIRFLOW			NET COOLING CAPACITY				HEATING CAPACITY			NUMBER OF		REFRIGERANT	WEIGHT	ELECTRICAL			FURNISHED BY	INSTALLED BY	BASIS FOR DESIGN		REMARKS		
				TOTAL	OA	E.S.P.	TOTAL	SENSIBLE	DB	WB	COND. EAT	INPUT	OUTPUT	EAT	COMPRESSORS			CIRCUITS	TYPE	MOCP			FLA	V/P/H		MANUFACTURER	MODEL
RTU-1	KITCHEN ROOFTOP UNIT	10 ton	12	4,000 CFM	500 CFM	1.0 in-wg	118,000 Btu/h	91,000 Btu/h	80 °F	67 °F	80 °F	250,000 Btu/h	205,000 Btu/h	65 °F	2	2	R-410A	1,445 lb	60 A	58 A	208/3/60	CMG	GC	CARRIER	48FCFN12	FURNISHED WITH COMP. ENTHALPY ECON., BAROMETRIC RELIEF, RET. SMOKE DETECTOR W/ REMOTE KEYED ANNUNCIATOR/RESET, M.O.D., MERV-8 FILTERS, CURB, HAIL GUARD, TOOLLESS HINGED ACCESS PANELS, DISCONNECT, HOT GAS REHEAT & UNIT-MOUNTED CONVENIENCE RECEPTACLE	
RTU-2	DINING ROOM ROOFTOP UNIT	10 ton	12	4,000 CFM	1,000 CFM	1.0 in-wg	118,000 Btu/h	91,000 Btu/h	80 °F	67 °F	80 °F	250,000 Btu/h	205,000 Btu/h	65 °F	2	2	R-410A	1,445 lb	60 A	58 A	208/3/60	CMG	GC	CARRIER	48FCFN12	FURNISHED WITH COMP. ENTHALPY ECON., BAROMETRIC RELIEF, RET. SMOKE DETECTOR W/ REMOTE KEYED ANNUNCIATOR/RESET, M.O.D., MERV-8 FILTERS, CURB, HAIL GUARD, TOOLLESS HINGED ACCESS PANELS, DISCONNECT, HOT GAS REHEAT & UNIT-MOUNTED CONVENIENCE RECEPTACLE	



796 Morse Court  
St. Louis, MO 63103  
CERTIFICATE OF AUTHORITY NO. F-28880



513 MAIN STREET, SUITE 300  
FORT WORTH, TEXAS 76102  
(817) 820-0433

SEAL



CONSTRUCTION SET -  
05/15/2025

COPYRIGHT 2019  
THIS DRAWING IS AN INSTRUMENT OF SERVICE  
AND AS SUCH REMAINS THE PROPERTY OF  
CHIPOTLE MEXICAN GRILL, INC.. PERMISSION FOR  
USE OF THIS DOCUMENT IS LIMITED AND CAN BE  
EXTENDED ONLY BY WRITTEN AGREEMENT WITH  
CHIPOTLE MEXICAN GRILL, INC..



CHIPOTLE MEXICAN GRILL, INC.  
PO BOX 182566  
COLUMBUS, OH 43218-2566  
TELEPHONE: 614.318.2400  
INTERNET: WWW.CHIPOTLE.COM

STORE NO.: 5470  
EDINBURG  
4112 S. BUSINESS HIGHWAY  
281  
EDINBURG, TX 78539

Issue Record:  
09/05/24 PERMIT SET

Revisions:

Drawn: JW Checked: JV

Project No:  
24-0148

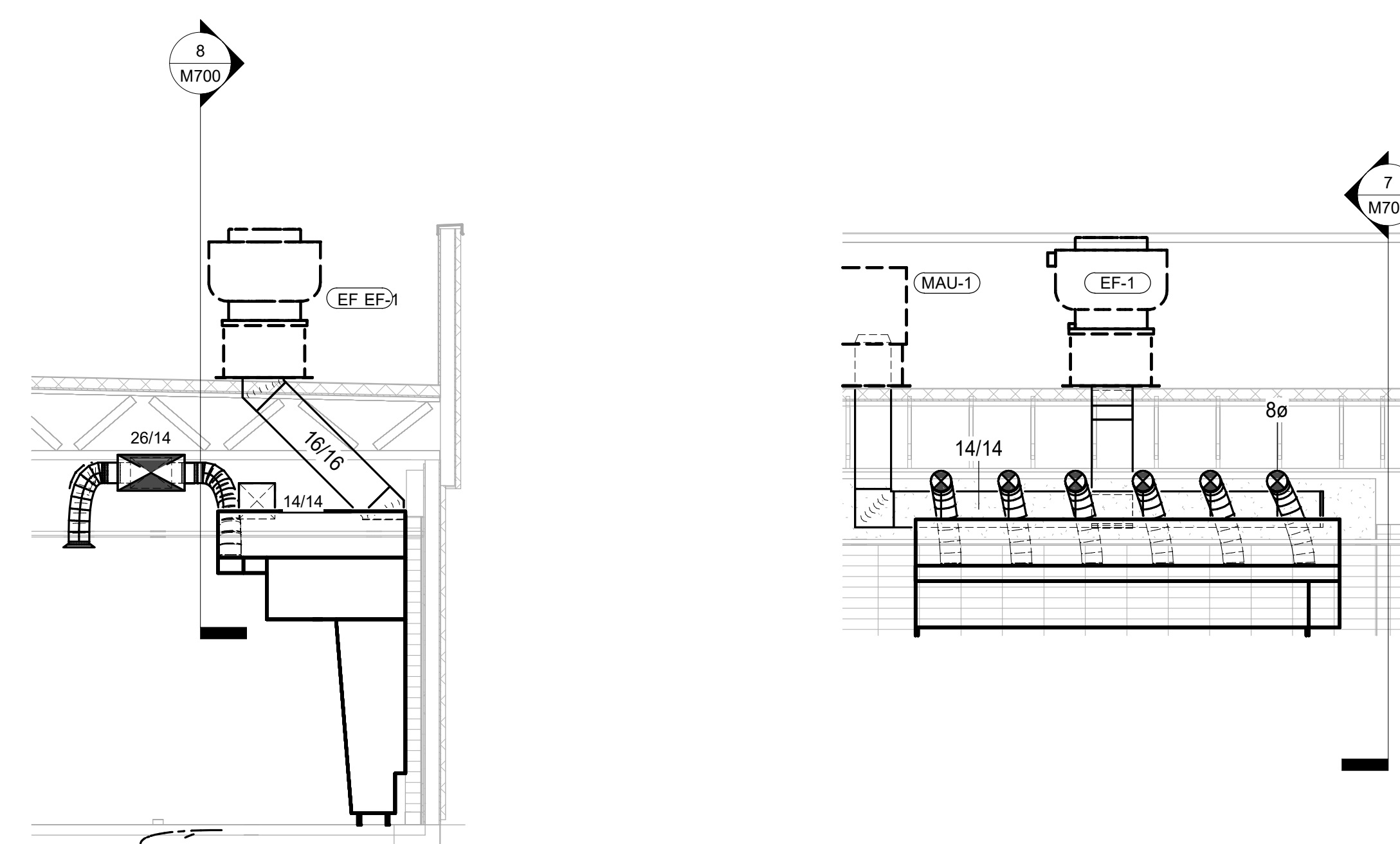
Contents:

MECHANICAL  
DETAILS

M700

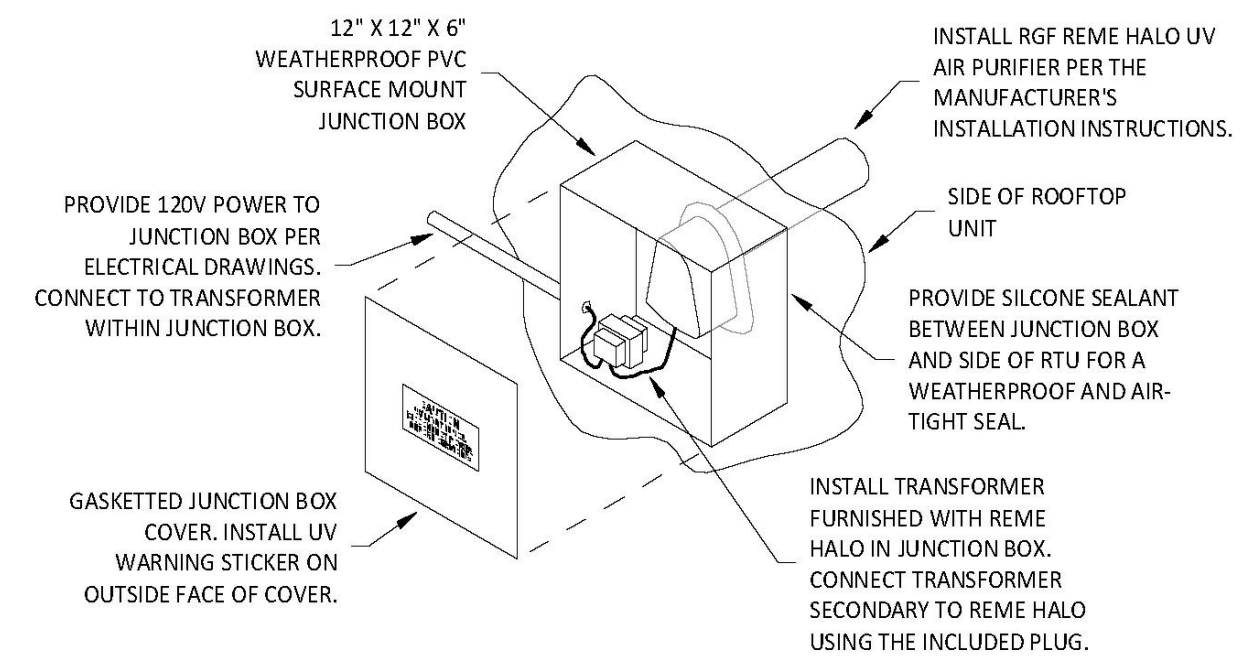


76 Moore Court  
St. Louis, MO 63105  
CERTIFICATE OF AUTHORITY NO. F-2880



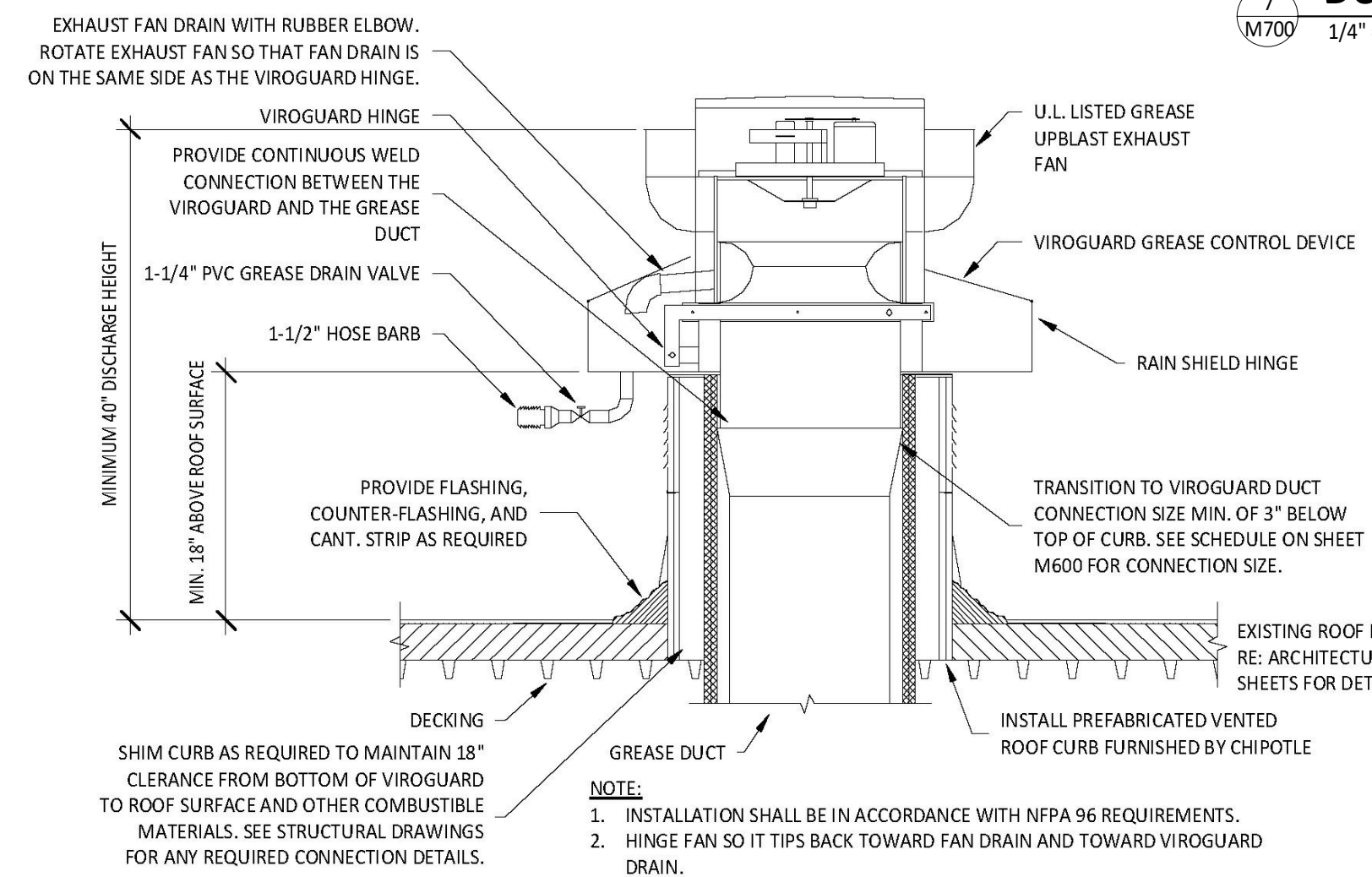
7 DUCT SECTION AT HOOD  
1/4" = 1'-0"

8 HOOD SECTION  
1/4" = 1'-0"

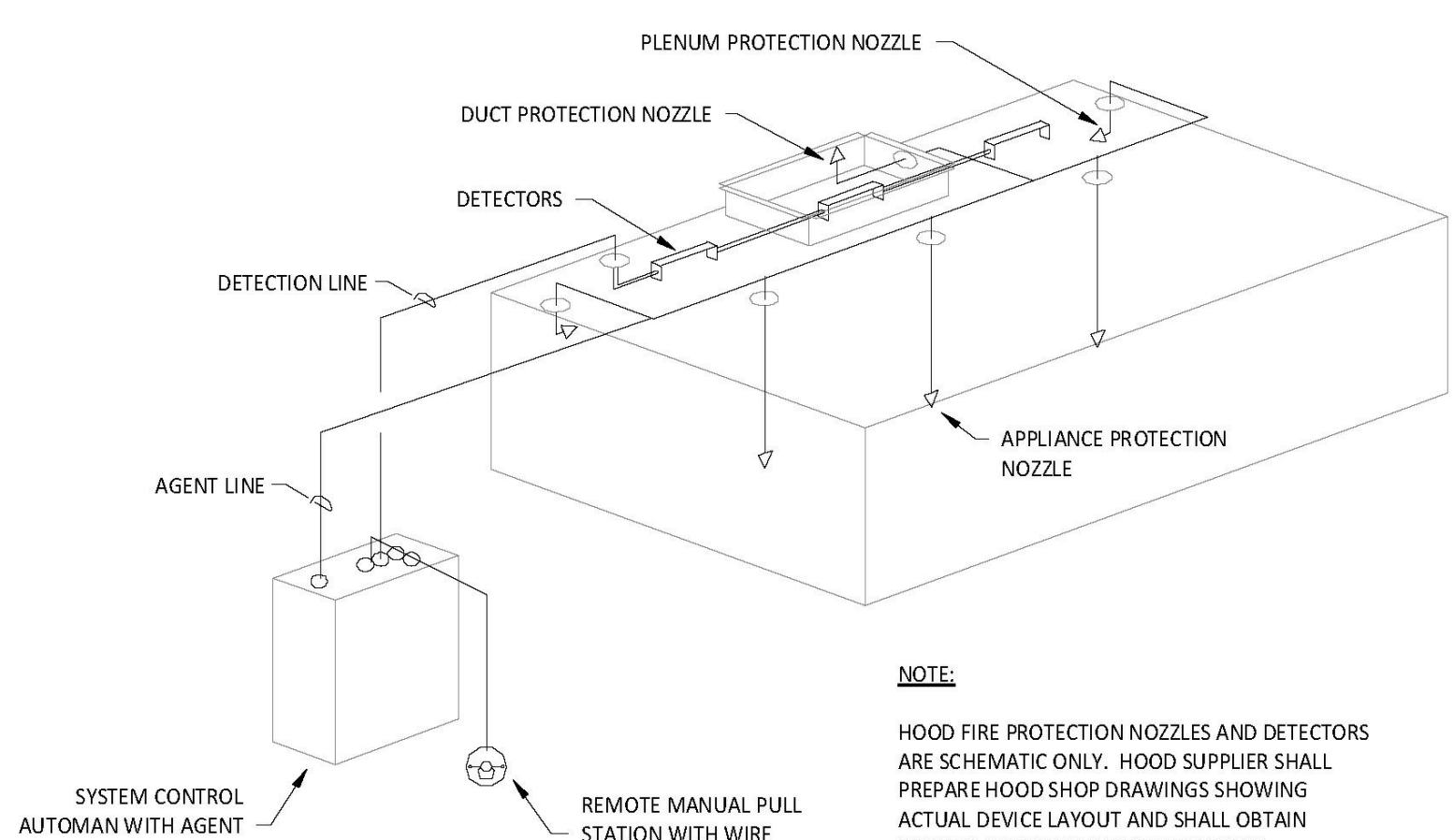


**INSTALLATION LOCATION**  
INSTALL AIR PURIFIER WITH JUNCTION BOX ON OUTSIDE FACE OF ROOFTOP UNIT AND WITH UV LAMP TUBE EXTENDING INTO THE INTERIOR OF THE ROOFTOP UNIT. FIELD VERIFY EXACT LOCATION TO AVOID DAMAGING, TOUCHING, OR INTERFERING WITH ANY RTU INTERIOR COMPONENTS. INSTALLATION LOCATION SHALL BE AS FOLLOWS:  
**TRANE:** INSTALL INTO THE SUPPLY AIR STREAM THROUGH THE REMOVABLE PANEL COVERING THE HORIZONTAL DISCHARGE SUPPLY AIR OPENING.  
**YORK:** INSTALL INTO THE SUPPLY AIR PLENUM FROM THE BACK SIDE OF THE UNIT JUST ABOVE THE HEAT EXCHANGER.

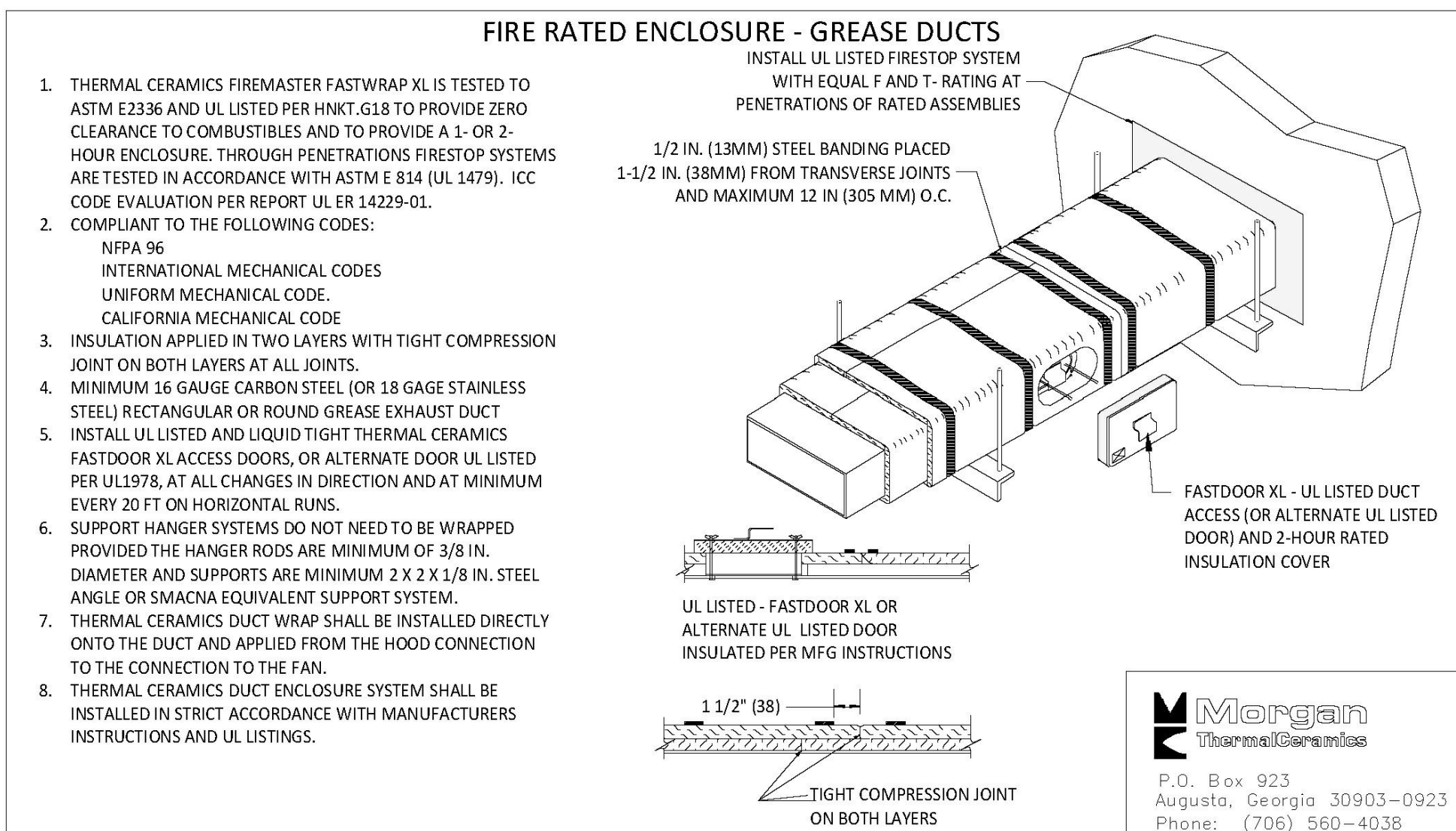
6 UV AIR PURIFIER INSTALLATION  
N.T.S.



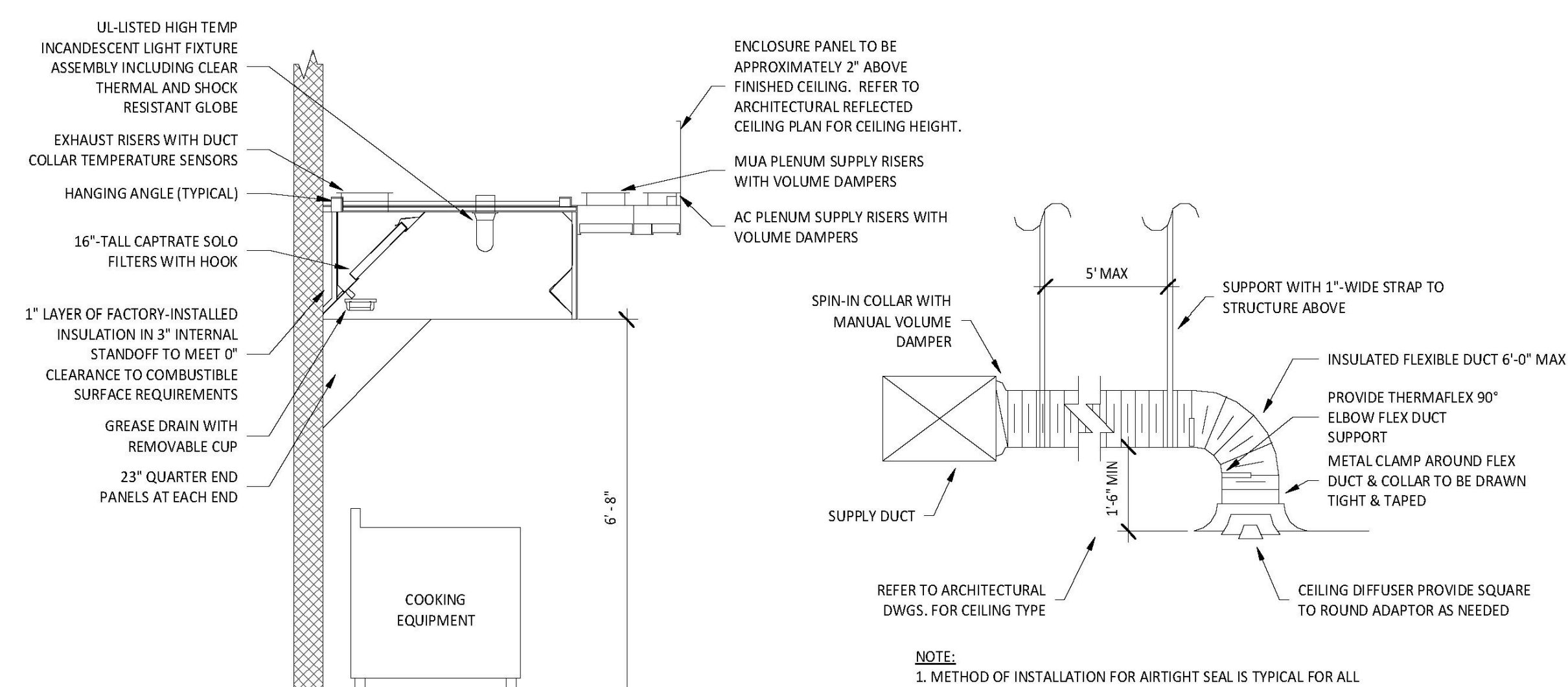
5 GREASE EXHAUST FAN  
N.T.S.



4 FIRE SUPPRESSION SYSTEM SCHEMATIC  
N.T.S.



3 FIREMASTER DUCT WRAP - UL HNKT-G18  
N.T.S.



2 HOOD SECTION VIEW  
N.T.S.

1 DIFFUSER CONNECTION  
N.T.S.

**Morgan**  
P.O. Box 923  
Augusta, Georgia 30903-0923  
Phone: (706) 560-4038