





**SANITIZING EQUIPMENT SCHEDULE**

TAG	COUNT	DESCRIPTION	FURNISHED BY	INSTALLED BY	MANUFACTURER	MODEL	REMARKS
SB-1	2	BATHROOM AIR PURIFICATION UNIT	TUV	GC	RGF ENVIRONMENTAL GROUP	BRU ASSEMBLY	SEE ELECTRICAL SHEETS FOR CONNECTION INFORMATION
SH-1	2	HVAC AIR PURIFICATION UNIT	TUV	GC	RGF ENVIRONMENTAL GROUP	REME-HALO	SEE DETAIL 6/M700 FOR INSTALLATION INFORMATION.
SI-1	1	ICE MACHINE TREATMENT SYSTEM	TUV	GC	RGF ENVIRONMENTAL GROUP	IMS-B-GA	SEE PLUMBING DRAWINGS FOR INSTALLATION INFORMATION.

**VENTILATION SCHEDULE**

SPACE	AREA	People/1000 sq. ft.	sq. ft./Person	CODE PEOPLE	ACTUAL PEOPLE	ACTUAL sq. ft./Person	O/A CFM/Person	O/A CFM/sq. ft.	O/A CFM	E/A CFM
KITCHEN	950	20	50.00	20.00	10.0	95.0	7.5	0.12	264.0	2550
DINING	850	70	14.29	70.00	50.0	17.0	7.5	0.18	678.0	-
OFFICE	45	5	200.00	5.00	1.0	45.0	5	0.06	27.7	-
RR	-	-	-	-	-	-	-	-	-	200

**FAN SCHEDULE**

TAG	DESCRIPTION	AIRFLOW	E.S.P.	WEIGHT	ELECTRICAL		FURNISHED BY	INSTALLED BY	BASIS FOR DESIGN		REMARKS
					MOTOR POWER	V/P/H			MANUFACTURER	MODEL	
EF-1	UPBLAST UL762 EXHAUST FAN	2,550 CFM	1.20 in-wg	300 lb	2 hp	208/3/60	HS	GC	CAPTIVE-AIRE	DU180HFA	DIRECT DRIVE UL762 UPBLAST EXHAUST FAN FURNISHED WITH WEATHERPROOF DISCONNECT AND VENTED ROOF CURB
EF-2	DOWNBLAST RESTROOM EXHAUST FAN	150 CFM	0.60 in-wg	100 lb	0.25 hp	120/1/60	HS	GC	CAPTIVE-AIRE	DR12HFA	DIRECT DRIVE DOWNBLAST RESTROOM EXHAUST FAN FURNISHED WITH INTEGRAL DISCONNECT, SPEED CONTROL, BACKDRAFT DAMPER, AND CURB

**VIROGUARD SCHEDULE**

TAG	COUNT	DESCRIPTION	DUCT CONNECTION SIZE	FAN	FURNISHED BY	INSTALLED BY	BASIS FOR DESIGN
VG-1	1	VIROGUARD HOOD EXHAUST FAN ROOFTOP CONTAINMENT SYSTEM	16" X 16"	CAPTIVE-AIRE DU180HFA	TDC	GC	ENVIROMATIC

**CONDENSING UNIT SCHEDULE**

TAG	DESCRIPTION	NOMINAL CAPACITY	NUMBER OF		REFRIGERANT		WEIGHT	ELECTRICAL			FURNISHED BY	INSTALLED BY	BASIS FOR DESIGN		REMARKS
			COMPRESSORS	CIRCUITS	TYPE	CHARGE		MOC	FLA	V/P/H			MANUFACTURER	MODEL	
CU-1	CONDENSING UNIT - WALK-IN COOLER		1	1	R-404A	10.4 lb	250 lb	15 A	9 A	208/3/60	WCS	GC	HARFORD	KPCL99MZOP-3E	FURNISHED WITH WALK-IN COOLER
CU-2	REMOTE CONDENSER - LOW CAPACITY ICE MAKER		0	1	R-404A	11.46 lb	100 lb			120/1/60	KES	GC	HOSHIZAKI	URC-9FZ	FURNISHED WITH ICE MAKER
CU-3	REMOTE CONDENSER - SODA MACHINE ICE MAKER		0	1	R-404A	3.86 lb	100 lb			120/1/60	KES	GC	HOSHIZAKI	URC-5FZ	FURNISHED WITH ICE MAKER

**MAKEUP AIR UNIT SCHEDULE**

TAG	DESCRIPTION	AIRFLOW	E.S.P.	HEATING			WEIGHT	ELECTRICAL		FURNISHED BY	INSTALLED BY	BASIS FOR DESIGN		REMARKS
				INPUT	OUTPUT	EAT		MOTOR POWER	V/P/H			MANUFACTURER	MODEL	
MAU-1	DIRECT-FIRED MAKEUP AIR UNIT	1,300 CFM	0.50 in-wg	225,000 Btu/h	220,000 Btu/h	21 °F	650 lb	1 hp	208/3/60	HS	GC	CAPTIVE-AIRE	A1-D.250-15D	12.5:1 MAX TURNDOWN. FURNISHED WITH DISCONNECT, ROOF CURB, SCREEN INTAKE, AND WASHABLE ALUMINUM FILTERS

**KITCHEN HOOD SCHEDULE**

TAG	DESCRIPTION	MAX COOKING TEMP.	AIRFLOW	E.S.P.	EXHAUST PLENUM						PERFORATED SUPPLY PLENUMS						NO. OF LIGHT FIXTURES	WEIGHT	FURNISHED BY	INSTALLED BY	BASIS FOR DESIGN		REMARKS		
					DUCT COLLARS			LENGTH	WIDTH	LENGTH	WIDTH	MAU PLENUM			AC PLENUM						MANUFACTURER	MODEL			
					NO.	WIDTH	LENGTH					AIRFLOW	NO.	WIDTH	LENGTH	AIRFLOW								NO.	DIAMETER
HD-1	TYPE I CANOPY HOOD WITH PERFORATED MAU AND AC SUPPLY PLENUMS	600 °F	2,550 CFM	0.97 in-wg	1	10"	2' - 0"	12' - 9"	4' - 3"	13' - 9"	1' - 7"	1,300 CFM	3	6"	2' - 4"	700 CFM	6	8"	8	1,300 lb	HS	GC	CAPTIVE-AIRE	5424 ND-2-ACPPS-F	MAT'L: 18 GA. TYPE 430 SS. FURNISHED WITH VERTICAL END PANELS, 24V GAS VALVE, VAPORPROOF INCANDESCENT LIGHT FIXTURES, 16" TALL HE SS FILTERS, INTEGRAL UTILITY CABINET, KITCHEN EXHAUST SUPPRESSION SYSTEM, DUCT COLLAR TEMPERATURE SENSOR, PREWIRE PACKAGE, SPARE FIRE SYSTEM DRY CONTACT, AND 4-POLE 20A CONTACTOR

**ROOFTOP UNIT SCHEDULE**

TAG	DESCRIPTION	NOMINAL CAPACITY	AIRFLOW		NET COOLING CAPACITY				HEATING CAPACITY			ELECTRICAL			BASIS FOR DESIGN		REMARKS			
			TOTAL	OA	E.S.P. (IN. W.C.)	TOTAL (MBH)	SENSIBLE (MBH)	EAT DB °F	WB °F	COND. EAT °F	INPUT (BTU/h)	OUTPUT (BTU/h)	EAT °F	WEIGHT	MOC	MCA		V/P/H	MANUFACTURER	MODEL
RTU-1	KITCHEN ROOFTOP UNIT	8.5 ton	3,400 CFM	750 CFM	0.8	94.9	72.3	80 °F	67 °F	95 °F	224,000	181,000	70 °F	1,250 lb	50 A	42 A	208/3/60	CARRIER	48FCFN9	FURNISHED WITH COMP. ENTHALPY ECON., BAROMETRIC RELIEF, RET. SMOKE DETECTOR W/ REMOTE KEYED ANNUNCIATOR/RESET, M.O.D., MERV-8 FILTERS, CURB, HAIL GUARD, TOOLLESS HINGED ACCESS PANELS, FACTORY MOUNTED DISCONNECT, & UNIT-MOUNTED FIELD WIRED CONVENIENCE RECEPTACLE
RTU-2	DINING ROOM ROOFTOP UNIT	10 ton	4,000 CFM	750 CFM	0.8	117.3	87.7	80 °F	67 °F	95 °F	250,000	205,000	70 °F	1,250 lb	60 A	51 A	208/3/60	CARRIER	48FCFN12	FURNISHED WITH COMP. ENTHALPY ECON., BAROMETRIC RELIEF, RET. SMOKE DETECTOR W/ REMOTE KEYED ANNUNCIATOR/RESET, M.O.D., MERV-8 FILTERS, CURB, HAIL GUARD, TOOLLESS HINGED ACCESS PANELS, FACTORY MOUNTED DISCONNECT, & UNIT-MOUNTED FIELD WIRED CONVENIENCE RECEPTACLE

**AIR BALANCE SCHEDULE**

TAG	SUPPLY FLOW	RETURN FLOW	EXHAUST FLOW	SUBTOTAL
EF-1	0 CFM	0 CFM	2,550 CFM	-2,550 CFM
EF-2	0 CFM	0 CFM	150 CFM	-150 CFM
MAU-1	1,300 CFM	0 CFM	0 CFM	1,300 CFM
RTU-1	3,400 CFM	2,650 CFM	0 CFM	750 CFM
RTU-2	4,000 CFM	3,250 CFM	0 CFM	750 CFM
NET PRESSURIZATION				100 CFM

**CONTROL FUNCTIONS**

- A. THE MAIN COOKING EXHAUST FAN AND MAKE-UP AIR UNIT SHALL BE INTERLOCKED TO OPERATE TOGETHER. THIS CONTROL CIRCUIT IS ACTIVATED BY A SWITCH AND INCLUDES A FIRE PROTECTION OVERRIDE.
- B. THE TEMPERATURE IN EACH ZONE IS CONTROLLED BY SPACE TEMPERATURE SENSORS CONNECTED TO THE THERMOSTATS LOCATED IN THE OFFICE. ALL ZONES SHALL OPERATE WITH CONTINUOUS FAN OPERATION DURING OCCUPIED TIMES AND INTERMITTENTLY AS NEEDED TO MAINTAIN SET POINTS DURING UNOCCUPIED TIMES. OUTSIDE AIR DAMPERS SHALL BE OPEN CONTINUOUSLY WHEN EITHER IN OCCUPIED MODE OR WHEN THE HOOD SYSTEM IS ON AND SHALL BE CLOSED DURING UNOCCUPIED PERIODS.
- C. THE THERMOSTATS SHALL DETERMINE OCCUPIED/UNOCCUPIED STATUS BASED ON THE SCHEDULE IN THE ENERGY MANAGEMENT SYSTEM.

**AIR TERMINAL SCHEDULE**

TAG	DESCRIPTION	FACE SIZE	MATERIAL	FINISH	MOUNTING	FURNISHED BY	INSTALLED BY	BASIS FOR DESIGN		NOTES
								MANUFACTURER	MODEL	
CD1	PERFORATED CEILING DIFFUSER	24" X 24"	ALUMINUM	WHITE	LAY-IN CEILING	GC	GC	NAILOR	4320A TYPE L	PROVIDE WITH INTEGRAL OBD
CD2	PERFORATED CEILING DIFFUSER	24" X 12"	ALUMINUM	WHITE	LAY-IN CEILING	GC	GC	NAILOR	4320A TYPE L	PROVIDE WITH INTEGRAL OBD, REMOVE 4-WAY DEFLECTORS
CD3	PERFORATED CEILING DIFFUSER	12" X 12"	ALUMINUM	WHITE	SURFACE MOUNT	GC	GC	NAILOR	4320A TYPE S	PROVIDE WITH INTEGRAL OBD
ER1	PERFORATED CEILING EXHAUST	12" X 12"	ALUMINUM	WHITE	SURFACE MOUNT	GC	GC	NAILOR	4330R TYPE S	PROVIDE INTEGRAL OBD
RG1	PERFORATED CEILING RETURN	48" X 24"	ALUMINUM	WHITE	LAY-IN CEILING	GC	GC	NAILOR	4330R TYPE L	
RG3	PERFORATED CEILING RETURN	48" X 24"	ALUMINUM	WHITE	SURFACE MOUNT	GC	GC	NAILOR	4330R TYPE S	
SR1	ADJUSTABLE TURBO NOZZLE	SEE NECK SIZE	ALUMINUM	WHITE	WALL	GC	GC	AIR CONCEPTS	ANR-12	PROVIDE WITH CONCEALED MOUNTING AND FACE ACCESSIBLE OBD
SR2	DOUBLE DEFLECTION SUPPLY REGISTER	SEE NECK SIZE	ALUMINUM	WHITE	WALL	GC	GC	NAILOR	51DH	PROVIDE WITH INTEGRAL OBD

Consultant:



Blanchard AE Group

1425 WAKARUSA DR. STE B  
LAWRENCE, KS 66049  
PH: 785.993.0300  
AEGROUP@BAE.GROUP

FOR CONSTRUCTION

COPYRIGHT 2025  
THIS DRAWING IS AN INSTRUMENT OF SERVICE AND AS SUCH REMAINS THE PROPERTY OF CHIPOTLE MEXICAN GRILL, INC. PERMISSION FOR USE OF THIS DOCUMENT IS LIMITED AND CAN BE EXTENDED ONLY BY WRITTEN AGREEMENT WITH CHIPOTLE MEXICAN GRILL, INC.



CHIPOTLE MEXICAN GRILL, INC.  
PO BOX 182566  
COLUMBUS, OH 43218-2566  
TELEPHONE: (614) 318-2400  
INTERNET: WWW.CHIPOTLE.COM

STORE NO.: 5218  
CORNELIUS OR  
2700 Baseline St  
Cornelius, OR 97113

Issue Record:  
11/11/2024 PERMIT ISSUE  
05/02/2025 CONSTRUCTION ISSUE

Revisions:

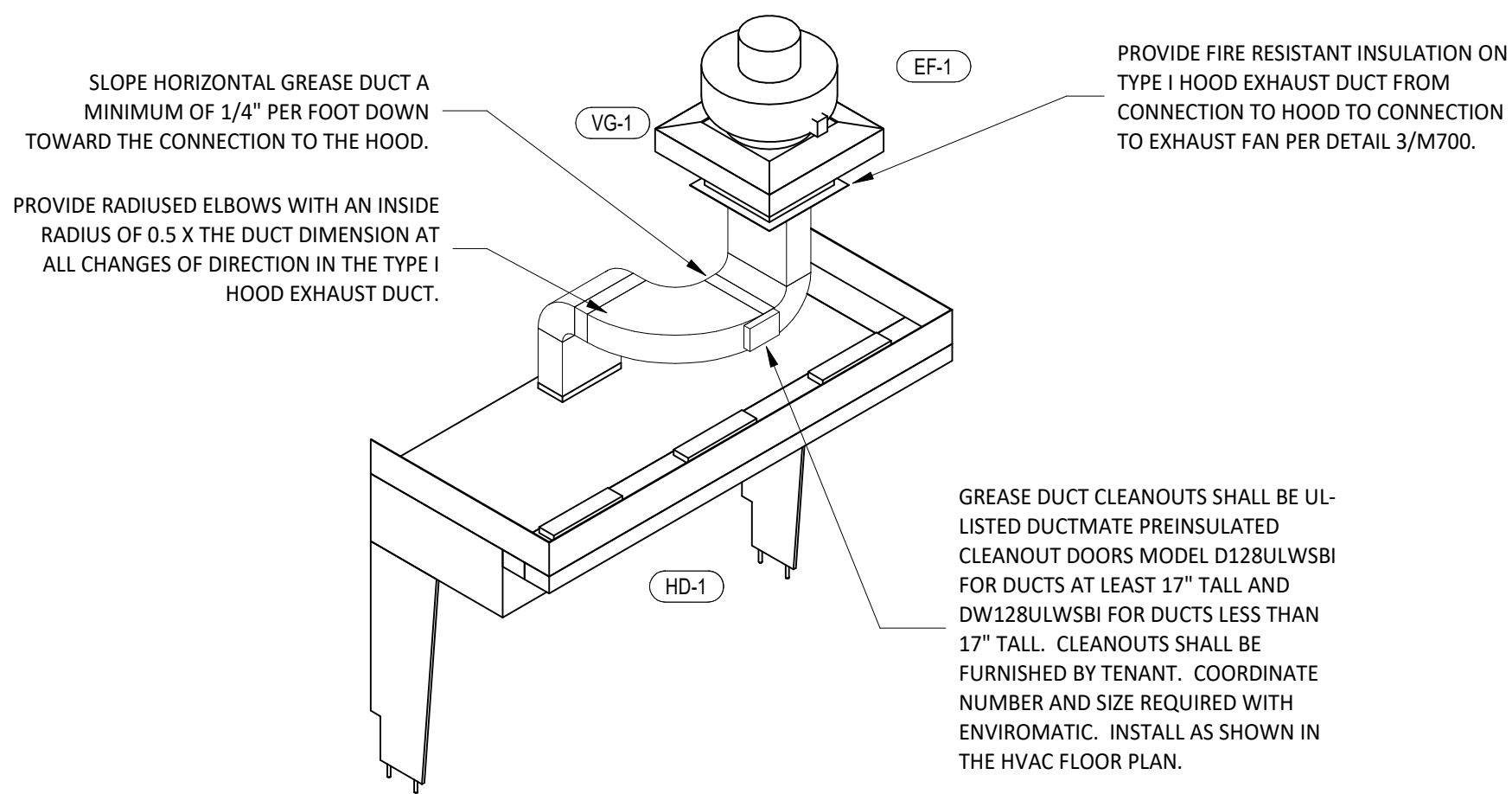
Drawn: JJD  
Checked: AJD

Project No.  
241012

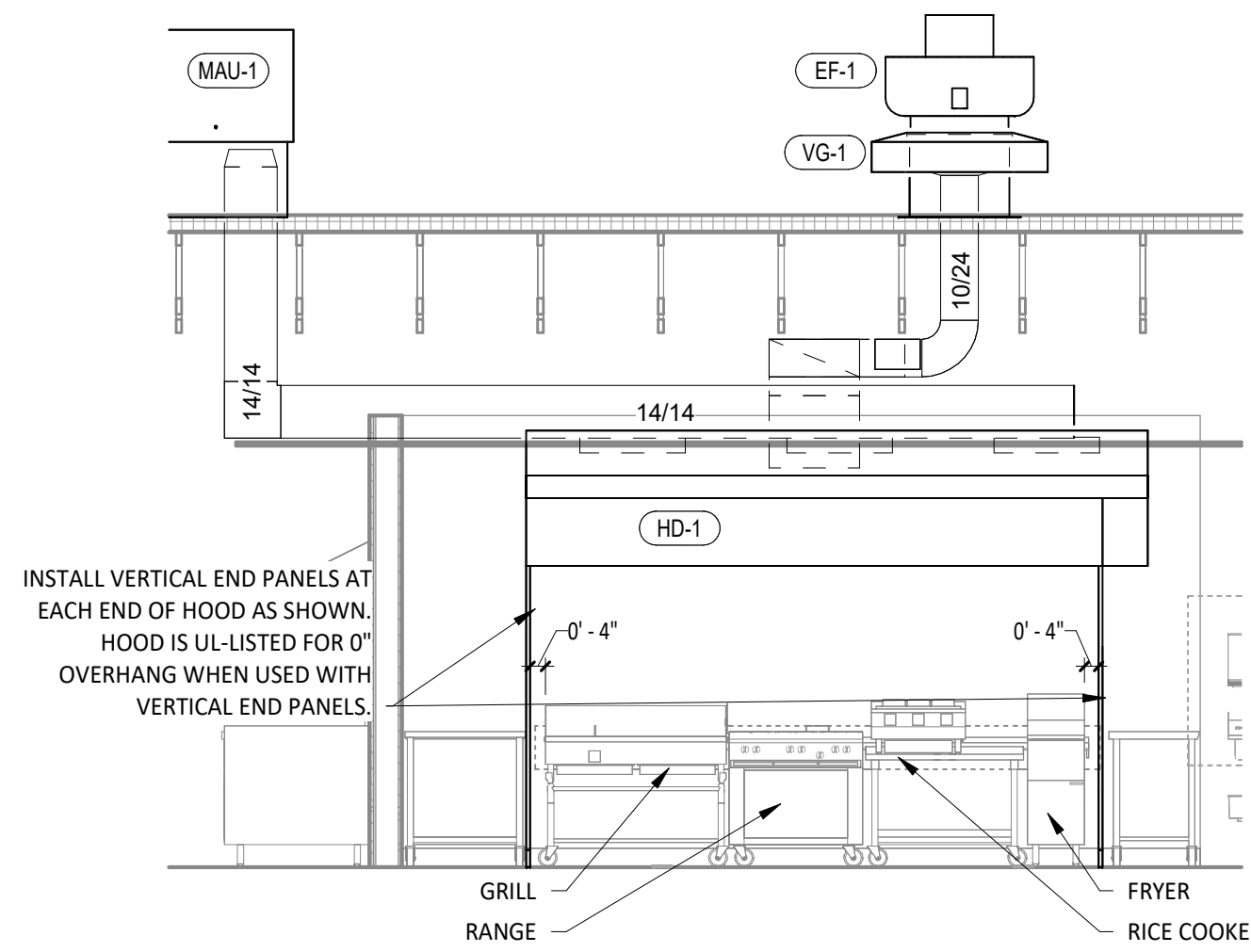
Contents:

HVAC SCHEDULES

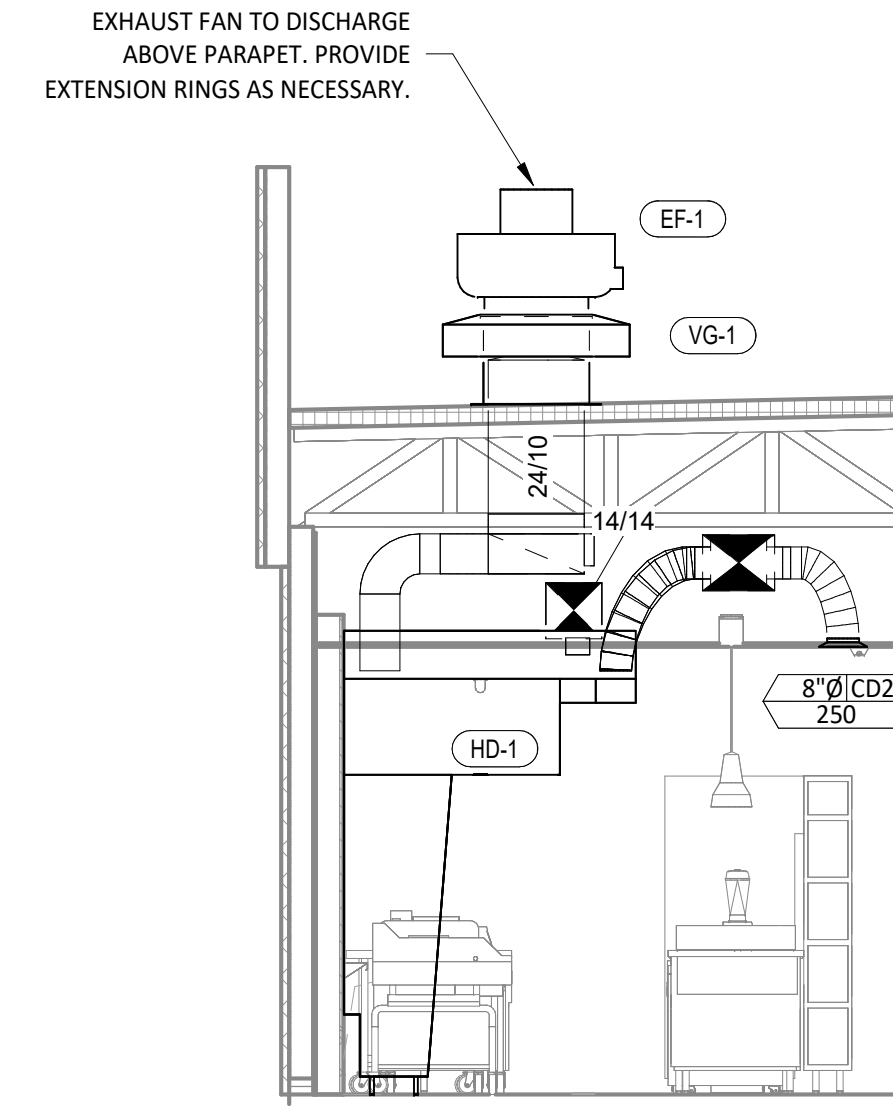
M600



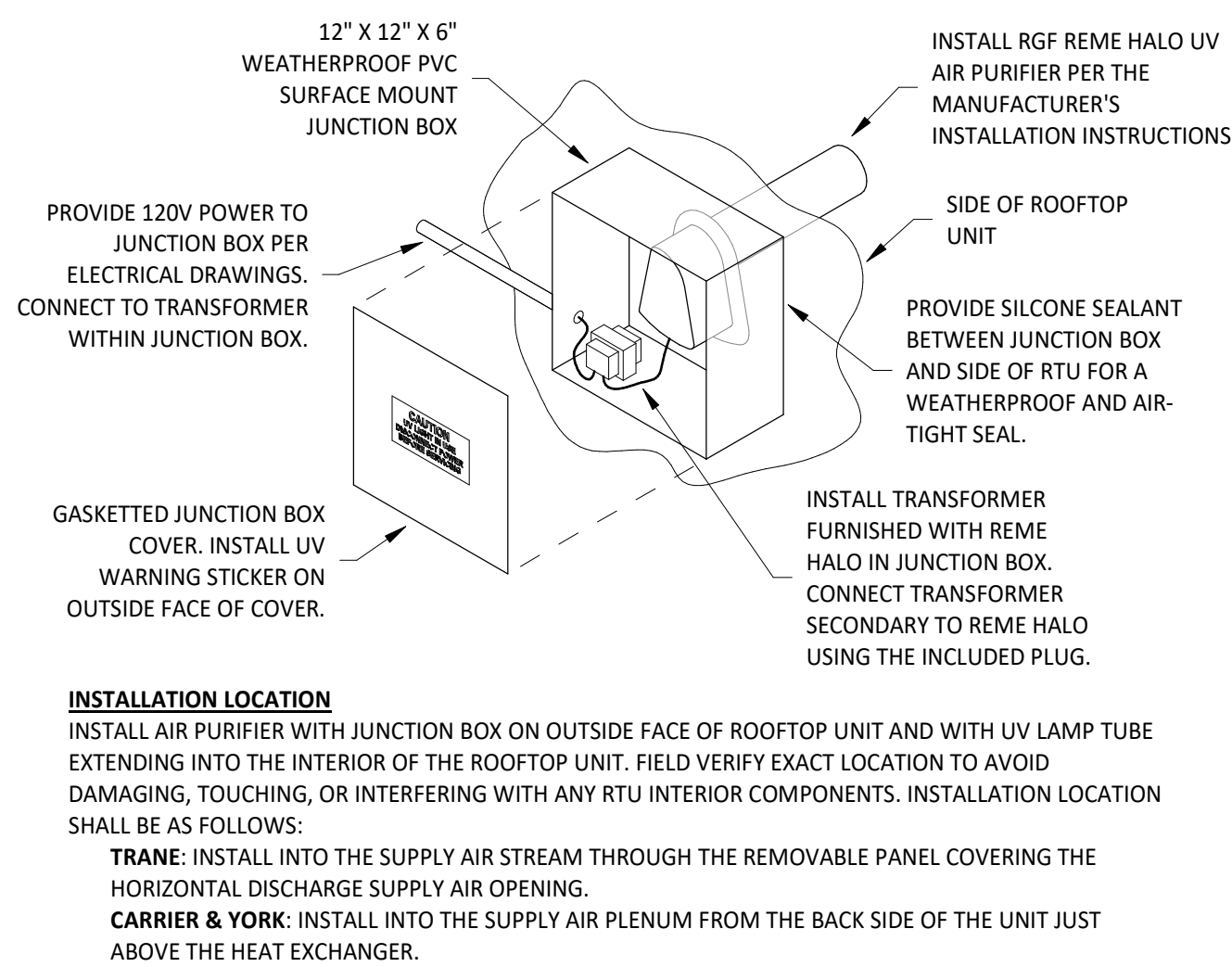
**9 HOOD EXHAUST ISOMETRIC**  
M700 NOT TO SCALE



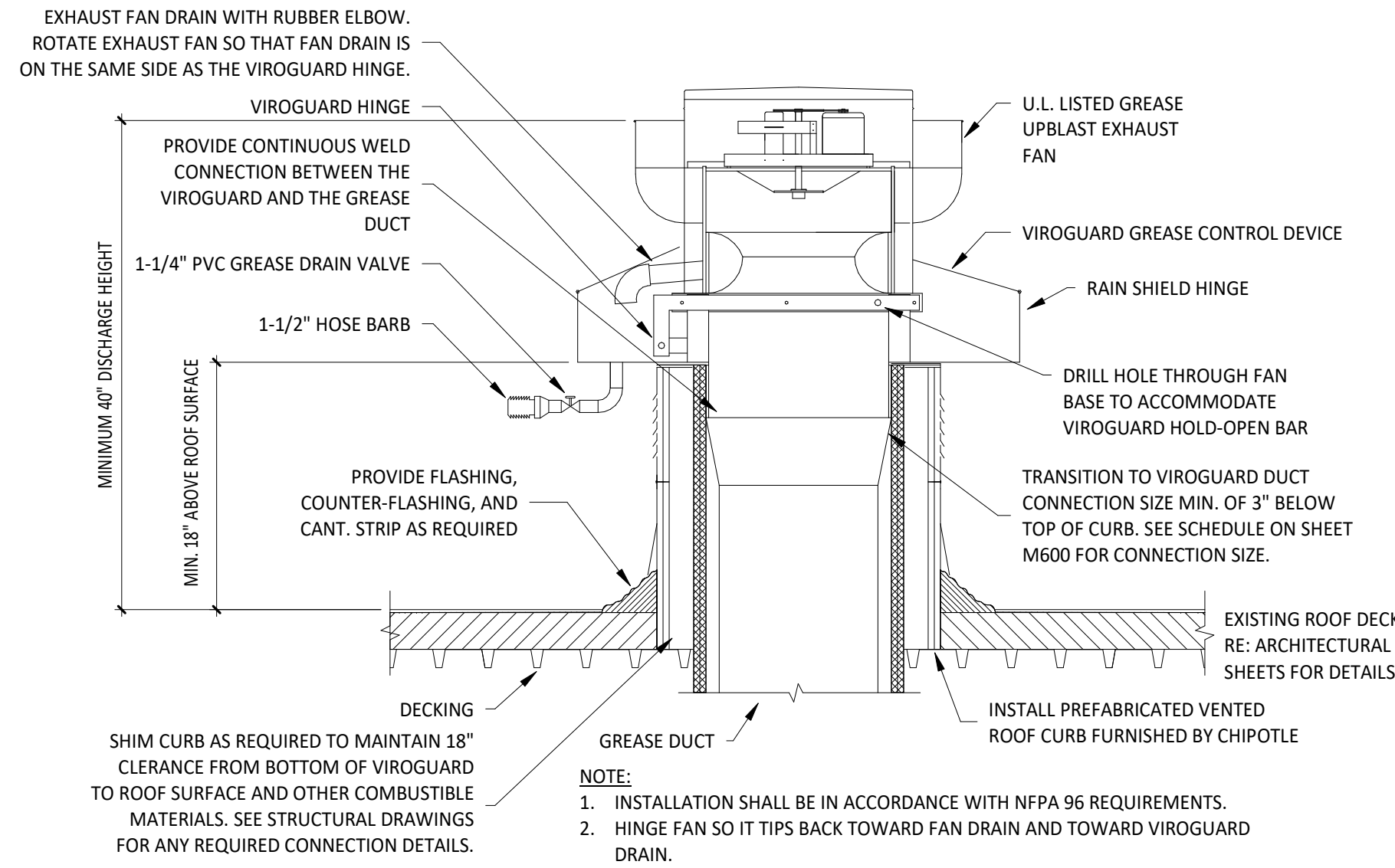
**8 HOOD ELEVATION**  
M700 1/4" = 1'-0"



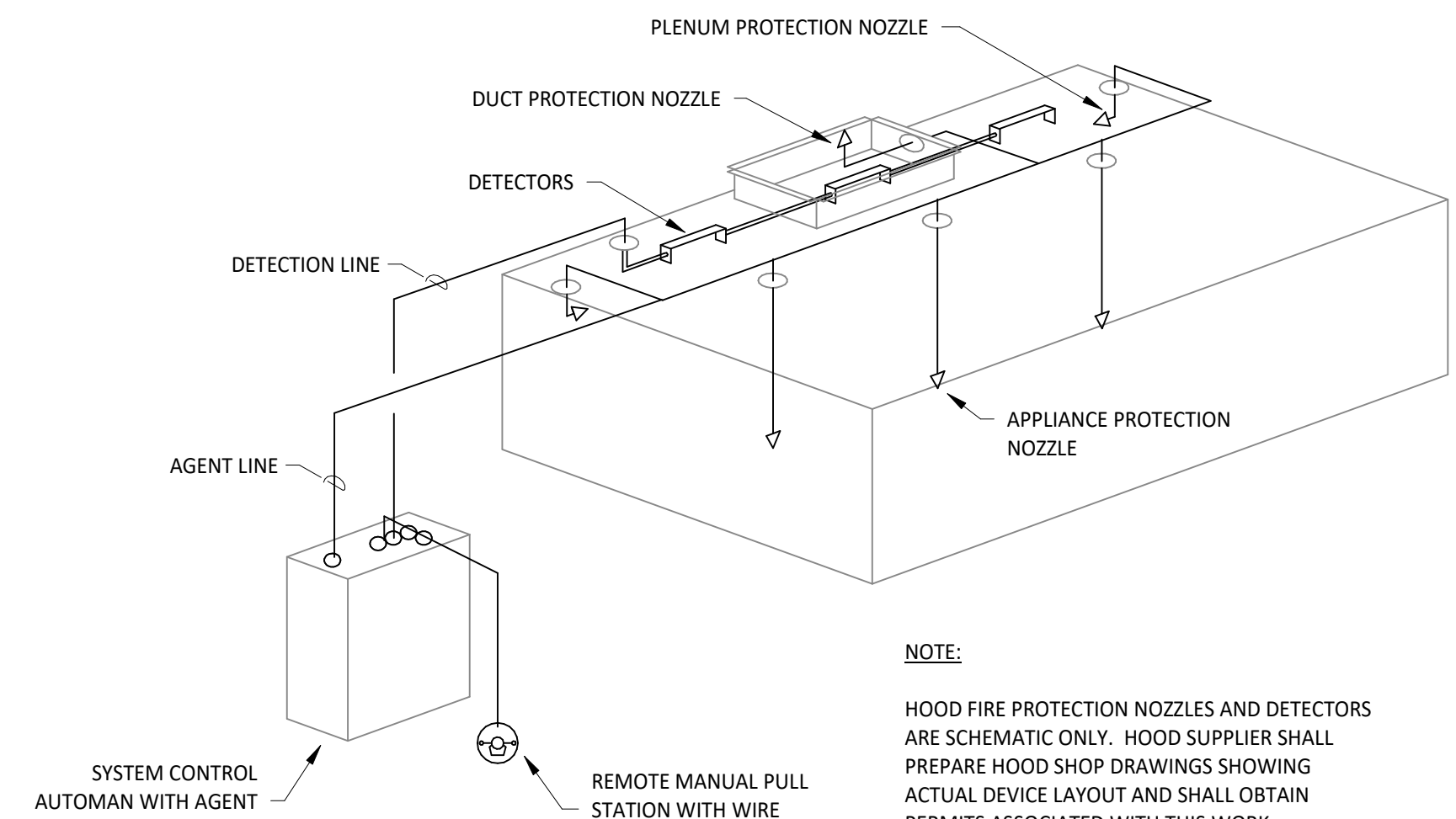
**7 DUCT SECTION AT HOOD**  
M700 1/4" = 1'-0"



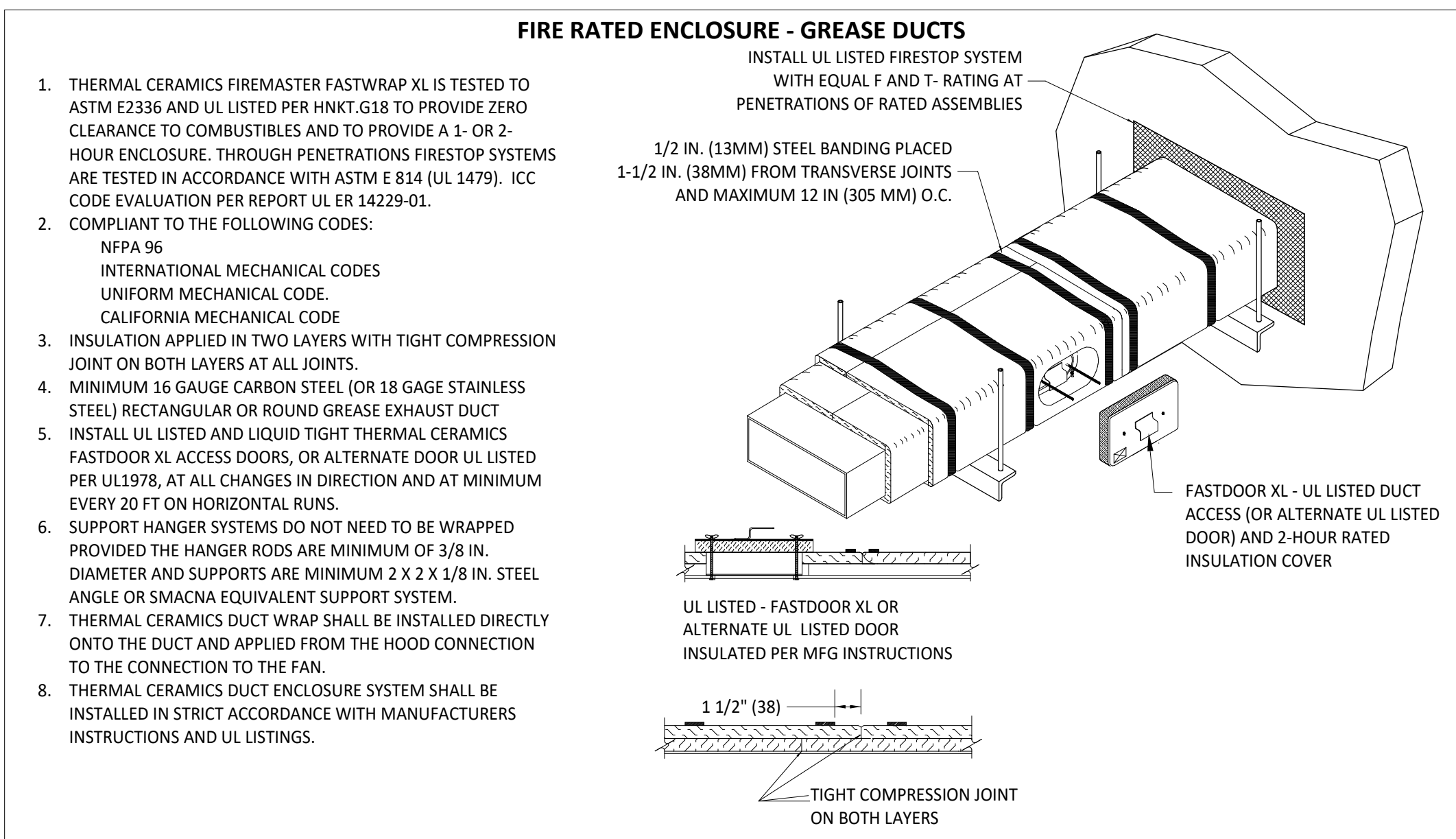
**6 UV AIR PURIFIER INSTALLATION**  
M700 NOT TO SCALE



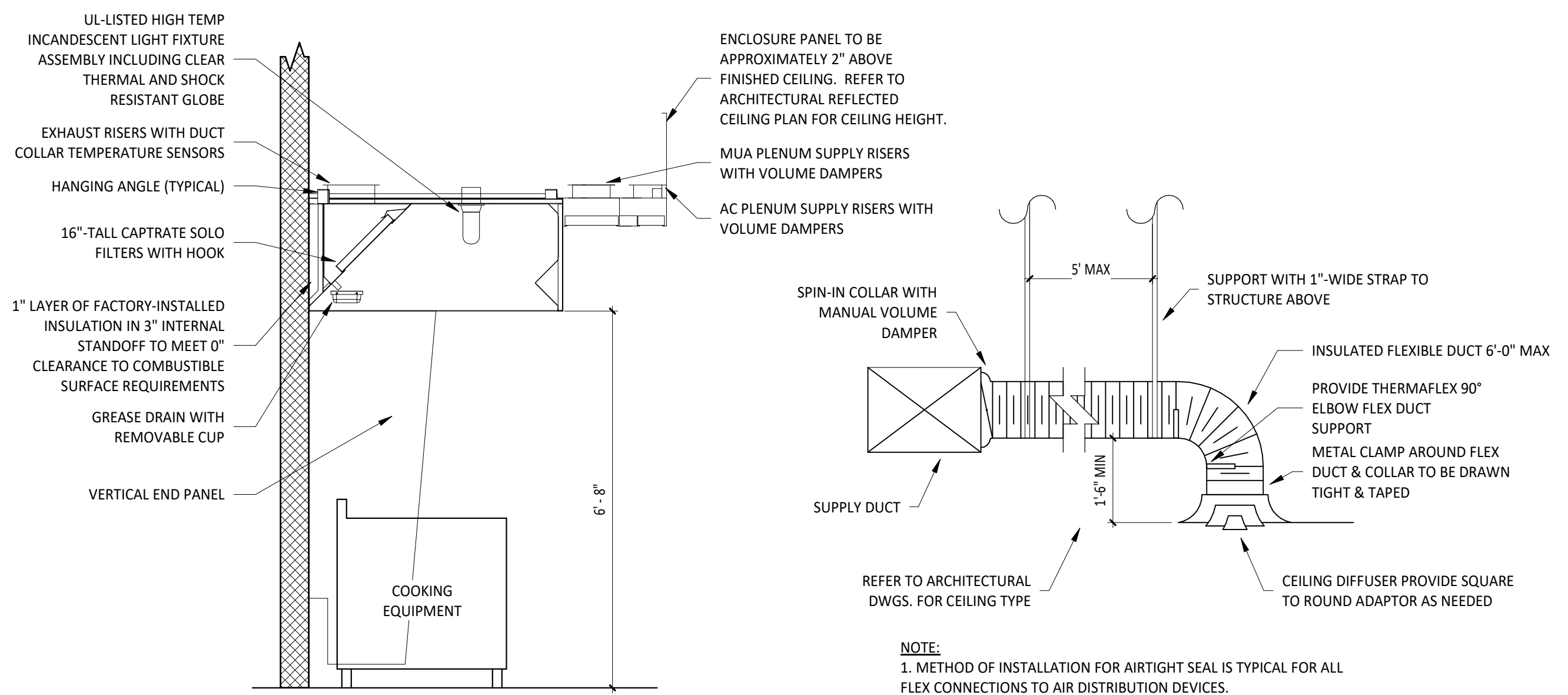
**5 GREASE EXHAUST FAN**  
M700 NOT TO SCALE



**4 FIRE SUPPRESSION SYSTEM SCHEMATIC**  
M700 NOT TO SCALE



**3 FIREMASTER DUCT WRAP - UL HNKT-G18**  
M700 NOT TO SCALE



**2 HOOD SECTION VIEW**  
M700 NOT TO SCALE

**1 DIFFUSER CONNECTION**  
M700 NOT TO SCALE

Consultant:



Blanchard AE Group

1425 WAKARUSA DR. STE B  
LAWRENCE, KS 66049  
PH: 785.993.0300  
AEGROUP@BAE.GROUP

FOR CONSTRUCTION

COPYRIGHT 2025  
THIS DRAWING IS AN INSTRUMENT OF SERVICE  
AND AS SUCH REMAINS THE PROPERTY OF  
CHIPOTLE MEXICAN GRILL, INC. PERMISSION FOR  
USE OF THIS DOCUMENT IS LIMITED AND CAN BE  
EXTENDED ONLY BY WRITTEN AGREEMENT WITH  
CHIPOTLE MEXICAN GRILL, INC.



CHIPOTLE MEXICAN GRILL, INC.  
PO BOX 182566  
COLUMBUS, OH 43218-2566  
TELEPHONE: (614) 318-2400  
INTERNET: WWW.CHIPOTLE.COM

STORE NO.: 5218  
CORNELIUS OR  
2700 Baseline St  
Cornelius, OR 97113

Issue Record:  
11/11/2024 PERMIT ISSUE  
05/02/2025 CONSTRUCTION ISSUE

Revisions:

Drawn: JJD  
Checked: AJD

Project No:  
241012

Contents:

HVAC DETAILS

M700