

COPYRIGHT 2024  
THIS DRAWING IS AN INSTRUMENT OF SERVICE AND AS SUCH REMAINS THE PROPERTY OF CHIPOTLE MEXICAN GRILL, INC. PERMISSION FOR USE OF THIS DOCUMENT IS LIMITED AND CAN BE EXTENDED ONLY BY WRITTEN AGREEMENT WITH CHIPOTLE MEXICAN GRILL, INC.



CHIPOTLE MEXICAN GRILL, INC.  
PO BOX 182566  
COLUMBUS, OH 43218-2566  
(614) 318-2400  
www.chipotle.com

STORE NO.: 5037  
"HUNTLEY"  
12990 ROUTE 47, LOT 4B  
HUNTLEY, IL 60142

Issue Record:	PERMIT SUBMITTAL
01/30/2024	PERMIT SUBMITTAL
03/15/2024	BID SET
05/03/2024	CONSTRUCTION SET

Revisions:

Drawn:	Checked:
RLD	LAO

Project No.  
2023-0175

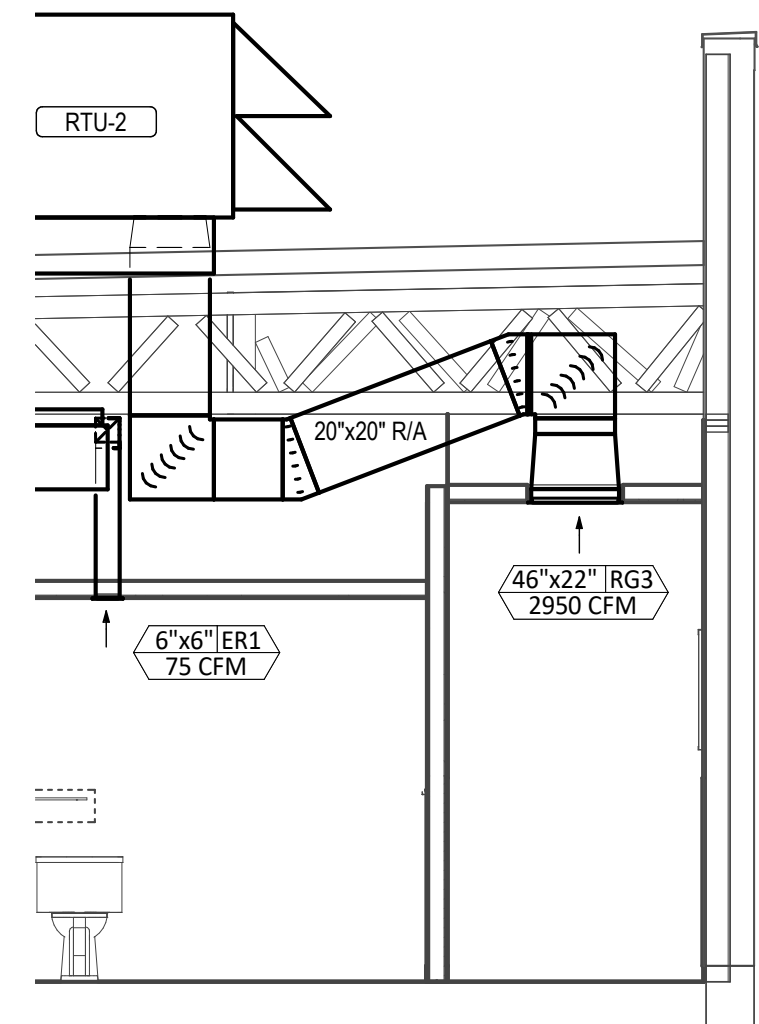
Contents:

HVAC PLAN

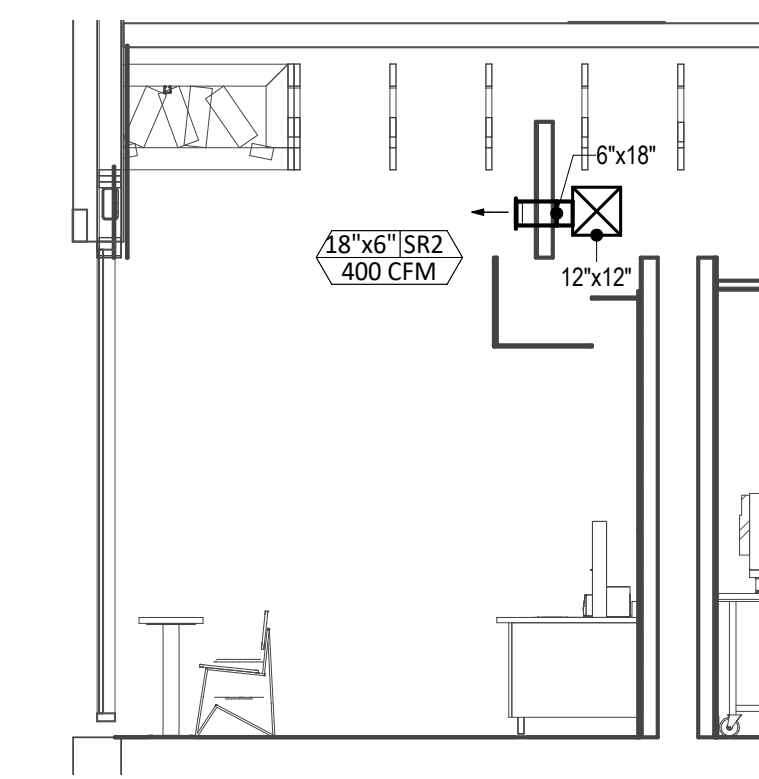
M100

**HVAC PLAN NOTES**

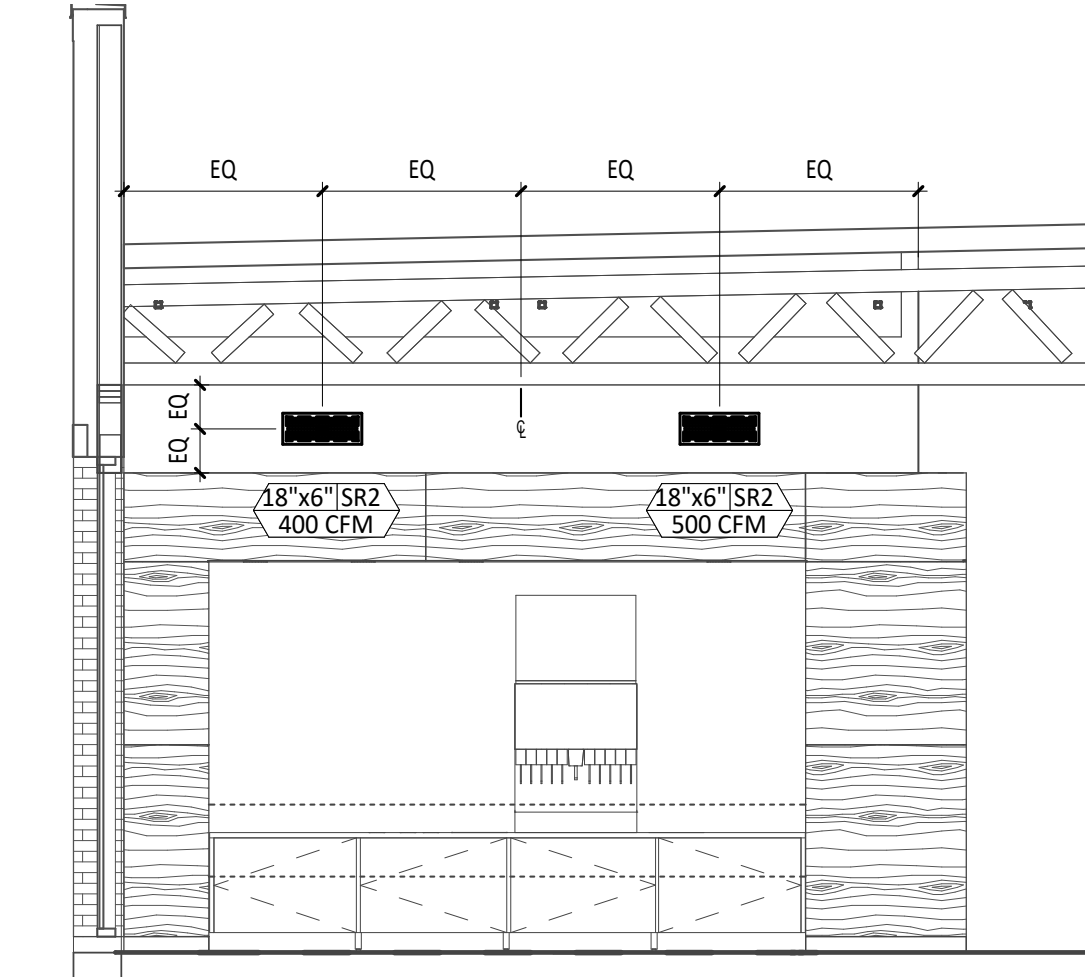
- SEE ARCHITECTURAL REFLECTED CEILING PLAN FOR CEILING MOUNTED EQUIPMENT LOCATION. TYPICAL. PAINT DUCTWORK VISIBLE THROUGH DINING ROOM SUPPLY REGISTERS BLACK. TYPICAL.
- NOT USED.
- DUCT UP FOR TRANSITION TO RTU-1 RETURN CONNECTION IN ROOF CURB. RTU-1 SHALL HAVE AN INTEGRAL SMOKE DETECTOR MOUNTED IN THE RETURN AIR STREAM. INTERLOCK SMOKE DETECTOR TO RTU-1 OPERATION.
- RETURN DUCT UP THROUGH ROOF TO TRANSITION TO RTU-2 IN ROOF CURB. RETURN DUCT SHALL HAVE AN INTEGRAL SMOKE DETECTOR MOUNTED IN THE RETURN AIR STREAM. INTERLOCK SMOKE DETECTOR TO RTU-2 OPERATION.
- SUPPLY DUCT UP THROUGH ROOF TO TRANSITION TO RTU-1 IN ROOF CURB.
- SUPPLY DUCT UP THROUGH ROOF TO TRANSITION TO RTU-2 IN ROOF CURB.
- DUCT UP THROUGH ROOF. TRANSITION TO MAU-1 SUPPLY CONNECTION IN ROOF CURB.
- 10/17 DUCT UP FROM HOOD TO DUCT THROUGH ROOF TO EF-1 COMPLIANT WITH NFPA 96. PROVIDE RADIUS ELBOWS WITH AN INSIDE RADIUS OF 0.5W AT ELBOWS IN GREASE DUCT.
- DUCT UP THROUGH ROOF TO EF-2.
- 286 DUCT DOWN TO MAKEUP AIR PSP DUCT CONNECTION. TRANSITION TO SUPPLY PLENUM OPENING SIZE. TYPICAL FOR 3.
- 8" DIA. DUCT DOWN TO AC PSP DUCT CONNECTION. TRANSITION TO SUPPLY PLENUM OPENING SIZE. TYPICAL. CAP UNUSED DUCT CONNECTIONS.
- INSTALL GRIDPOINT THERMOSTATS FURNISHED BY TEMS FOR RTU-1 AND RTU-2 AT THIS LOCATION AT 48" AFF. COORDINATE WITH ELECTRICAL SWITCHING IN THIS AREA. PROVIDE WIRING AS SHOWN IN DETAIL 8E710.
- INSTALL GRIDPOINT ZONE SENSOR MODULE FURNISHED BY TEMS FOR RTU-1 AT THIS LOCATION 60" AFF DIRECTLY TO WALL (NO JUNCTION BOX). COORDINATE LOCATION WITH EQUIPMENT. PROVIDE WIRING AS SHOWN IN DETAIL 8E710.
- INSTALL GRIDPOINT ZONE SENSOR MODULE FURNISHED BY TEMS FOR RTU-2 AT THIS LOCATION 60" AFF DIRECTLY TO WALL (NO JUNCTION BOX). COORDINATE LOCATION WITH EQUIPMENT. PROVIDE WIRING AS SHOWN IN DETAIL 8E710.
- INSTALL GRIDPOINT SUPPLY PROBE FURNISHED BY TEMS FOR RTU-1 IN THE SUPPLY DUCTWORK UPSTREAM FROM THE FIRST BRANCH CONNECTION. PROVIDE WIRING AS SHOWN IN DETAIL 8E710.
- INSTALL GRIDPOINT SUPPLY PROBE FURNISHED BY TEMS FOR RTU-2 IN THE SUPPLY DUCTWORK UPSTREAM FROM THE FIRST BRANCH CONNECTION. PROVIDE WIRING AS SHOWN IN DETAIL 8E710.
- INSTALL REMOTE TEMPERATURE SENSOR FOR HOOD HD-1 AT THIS LOCATION 66" AFF. COORDINATE LOCATION WITH EQUIPMENT. PROVIDE (2) #18 G. THERMISTOR CABLE FROM TEMPERATURE SENSOR TO HOOD CONTROL PANEL.
- INSTALL KITCHEN HOOD HD-1. SUPPORT HOOD PER MANUFACTURER'S INSTALLATION INSTRUCTIONS AND AS DETAILED IN THE ARCHITECTURAL AND STRUCTURAL DRAWINGS. INSTALL HOOD ACCORDING TO THE REQUIREMENTS OF ITS LISTING. IN COMPLIANCE WITH NFPA 96, THE BUILDING CODE, AND AUTHORITIES HAVING JURISDICTION. HOOD SHALL HAVE AN INTEGRAL DUCT COLLAR TEMPERATURE SENSOR TO AUTOMATICALLY ENERGIZE THE EXHAUST AND MAKEUP AIR FANS IF COOKING TEMPERATURES ARE DETECTED. EXHAUST DUCT SYSTEM TO BE WELDED OR FACTORY-MANUFACTURED WATER AND AIR TIGHT. INSTALL CLEANOUTS PER CODE AND AS SHOWN. INSTALL HOOD PER DETAILS 2, 4, AND 9M700. CHIPOTLE WILL PROVIDE AN INDEPENDENT TESTING AGENCY FOR TESTING THE INTEGRITY OF THE GREASE DUCT SYSTEM.



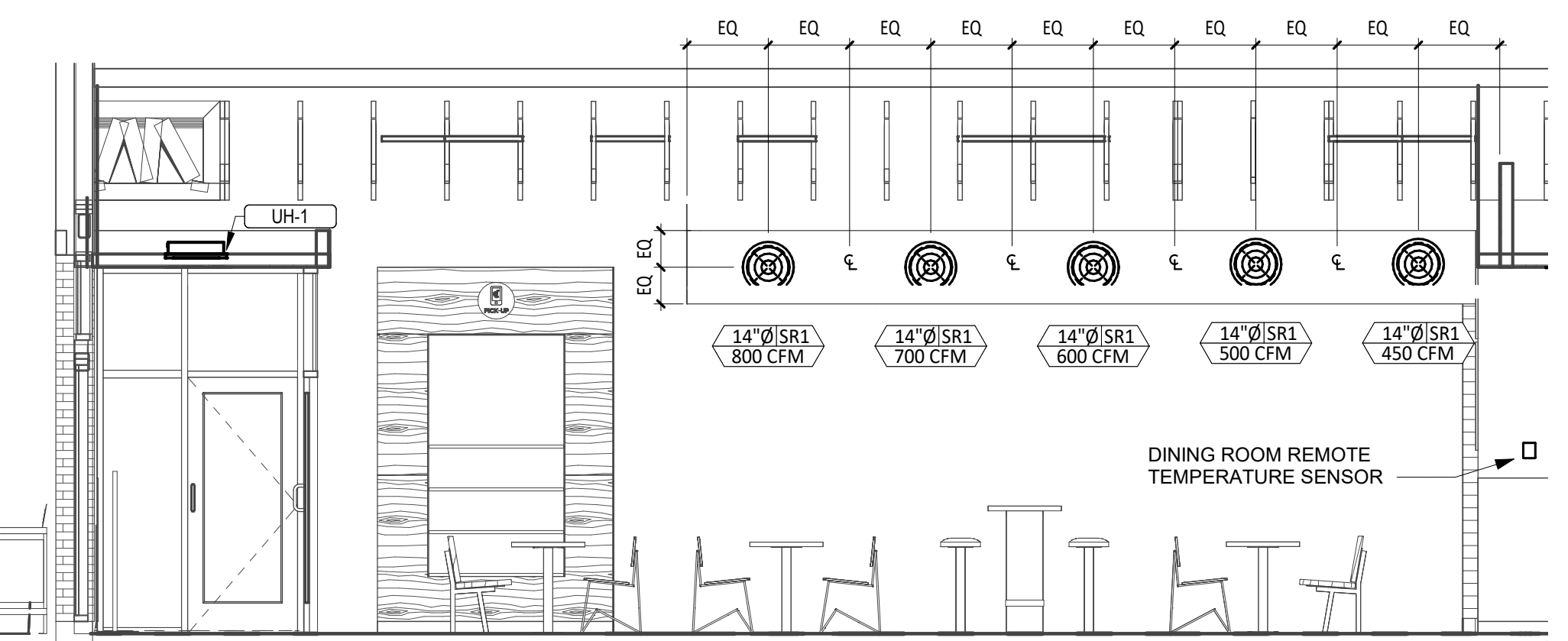
6 HVAC DINING ROOM RETURN SECTION  
1/4" = 1'-0"



5 HVAC DINING ROOM SECTION  
1/4" = 1'-0"



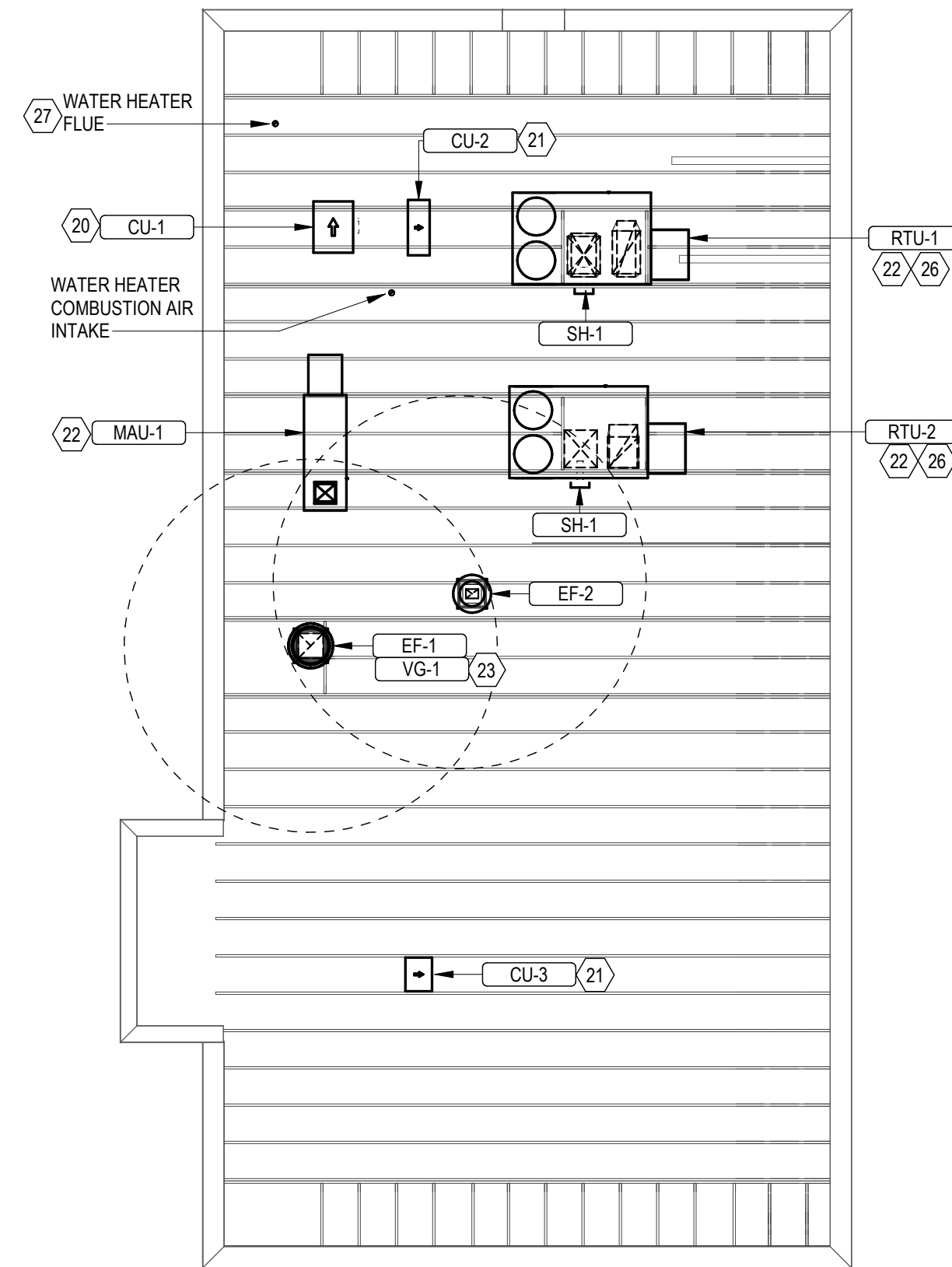
4 HVAC DINING ROOM SECTION  
1/4" = 1'-0"



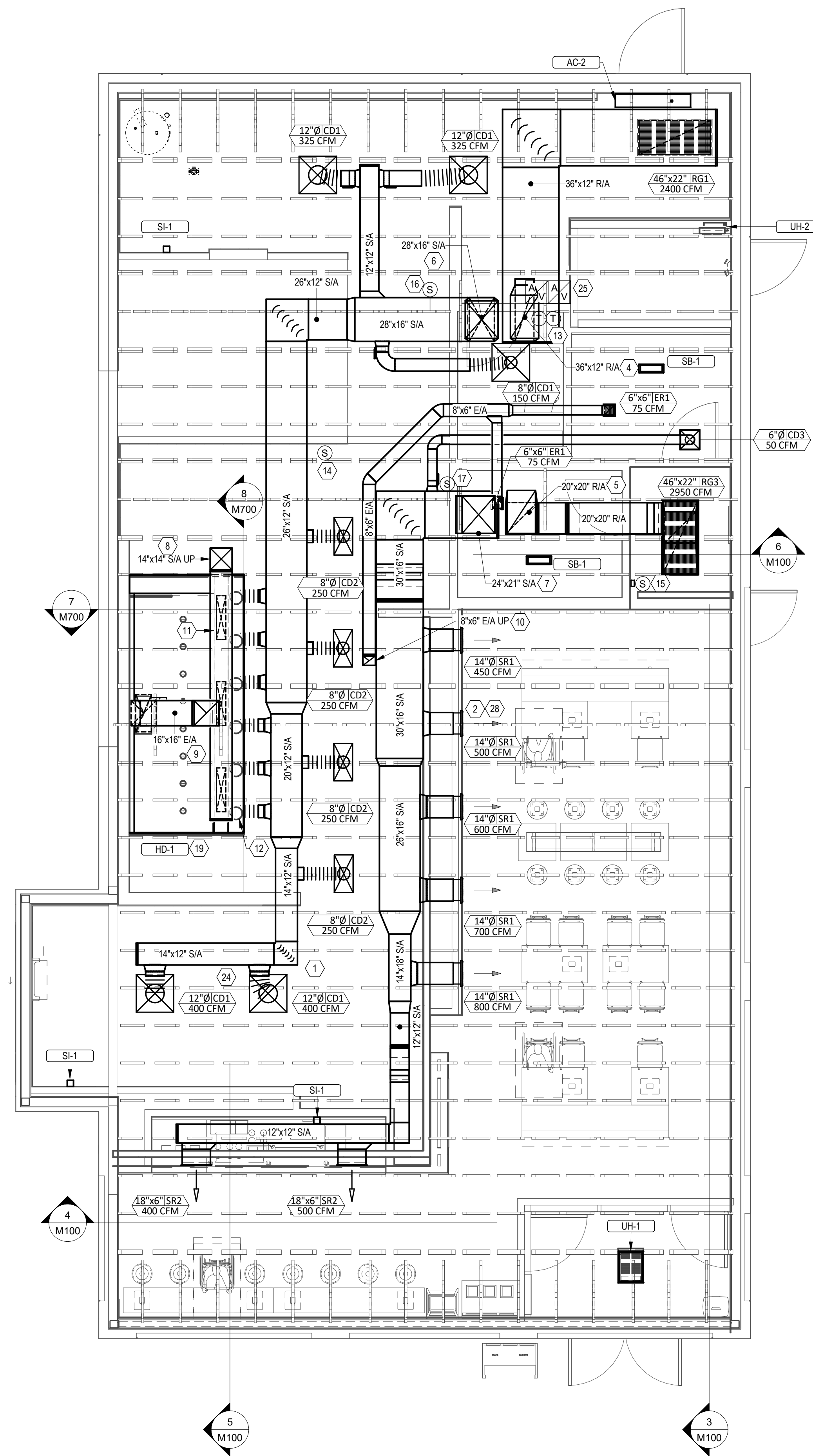
3 HVAC DINING ROOM SECTION  
1/4" = 1'-0"

**HVAC PLAN NOTES**

- INSTALL REMOTE CONDENSING UNIT FOR WALK-IN COOLER ON ROOF AS DETAILED IN THE ARCHITECTURAL AND STRUCTURAL DRAWINGS. INSTALL REFRIGERANT LINE SET, THERMOSTATIC EXPANSION VALVE, SOLENOID VALVE, TEMPERATURE CONTROL, SIGHT GLASS, FILTER DRIER, PRESSURE CONTROL, LOW AMBIENT CONTROLS, AND WEATHERPROOF HOUSING. TRAP AND SLOPE REFRIGERANT LINES PER MANUFACTURER'S RECOMMENDATIONS. INSTALLATION SHALL COMPLY WITH ASHRAE/ANSI STANDARD 15. INSTALL THE REFRIGERANT LINE SET UNDER THE ROOF DECK TO WITHIN 3' OF THE CONDENSING UNIT. CUT 2-1/2" HOLE IN WALK-IN COOLER ROOF FOR REFRIGERANT LINE SET AND SEAL PER THE COOLER MANUFACTURER'S INSTALLATION INSTRUCTIONS AFTER LINE SET IS INSTALLED.
- INSTALL REMOTE CONDENSER FOR ICE MACHINE ON ROOF AS DETAILED IN THE ARCHITECTURAL AND STRUCTURAL DRAWINGS. INSTALL REFRIGERANT LINE SET, THERMOSTATIC EXPANSION VALVE, SOLENOID VALVE, TEMPERATURE CONTROL, SIGHT GLASS, FILTER DRIER, PRESSURE CONTROL, LOW AMBIENT CONTROLS, AND WEATHERPROOF HOUSING. TRAP AND SLOPE REFRIGERANT LINES PER MANUFACTURER'S RECOMMENDATIONS. SEAL PIPING PENETRATIONS THROUGH ROOF. INSTALLATION SHALL COMPLY WITH ASHRAE/ANSI STANDARD 15. INSTALL THE REFRIGERANT LINE SET UNDER THE ROOF DECK TO WITHIN 3' OF THE REMOTE CONDENSER. IF REFRIGERANT PIPING TO ICE MAKER IS EXPOSED TO PUBLIC VIEW CONCEAL WITHIN A STAINLESS STEEL SHROUD AS SHOWN IN THE ARCHITECTURAL DRAWINGS.
- INSTALL ROOFTOP EQUIPMENT PER MANUFACTURER'S INSTALLATION INSTRUCTIONS AND AS DETAILED IN THE ARCHITECTURAL AND STRUCTURAL DRAWINGS.
- INSTALL EXHAUST FAN EF-1 PER DETAIL 5M700 AND AS DETAILED IN THE ARCHITECTURAL AND STRUCTURAL DRAWINGS. INSTALL GREASE VIROGUARD SYSTEM FURNISHED BY CHIPOTLE ON EXHAUST FAN, EF-1.
- PROVIDE SUPPLY DIFFUSER CONNECTION TO SUPPLY SYSTEM PER DETAIL 1M700. TYPICAL.
- PROVIDE AUDIOVISUAL REMOTE SMOKE DETECTOR ANNUNCIATOR WITH REMOTE KEY OPERATED RESET. WIRE A UNIT BACK TO EACH SMOKE DETECTOR. MOUNT UNIT 60" AFF. TYPICAL.
- INSTALL REME HALO AIR PURIFIER FURNISHED BY TUV IN RTU PER DETAIL 6M700. SEE ELECTRICAL DRAWINGS FOR POWER CONNECTION INFORMATION. INSTALL UV WARNING STICKERS ON FACE OF ENCLOSURE PER DETAIL AND ON ANY RTU ACCESS DOOR(S) THROUGH WHICH THE REME HALO WOULD BE VISIBLE IF OPENED.
- MAINTAIN 10' CLEARANCE BETWEEN WATER HEATER FLUE TERMINATION AND OUTSIDE AIR INTAKES. MAINTAIN 10' CLEARANCE BETWEEN WATER HEATER COMBUSTION AIR INTAKE AND EXHAUST FAN EF-1 DISCHARGE. SEE PLUMBING DRAWINGS FOR MORE INFORMATION ON WATER HEATER FLUE AND COMBUSTION AIR TERMINATIONS.
- ADJUST SUPPLY REGISTERS SO THAT SUPPLY AIR HITS WALL ON OPPOSITE SIDE OF ROOM AT APPROXIMATELY 7' AFF WITH NO DRAFTS FELT IN THE DINING ROOM.



2 ROOF MECHANICAL PLAN  
1/8" = 1'-0"



1 HVAC PLAN  
1/4" = 1'-0"

AIR BALANCE SCHEDULE				
TAG	SUPPLY FLOW	RETURN FLOW	EXHAUST FLOW	SUBTOTAL
EF-1	0 CFM	0 CFM	2,550 CFM	-2,550 CFM
EF-2	0 CFM	0 CFM	150 CFM	-150 CFM
MAU-1	1,300 CFM	0 CFM	0 CFM	1,300 CFM
RTU-1	3,400 CFM	2,900 CFM	0 CFM	500 CFM
RTU-2	4,000 CFM	3,000 CFM	0 CFM	1,000 CFM
NET PRESSURIZATION				100 CFM

### AIR TERMINAL SCHEDULE

TAG	DESCRIPTION	FACE SIZE	MATERIAL	FINISH	MOUNTING	FURNISHED BY	INSTALLED BY	BASIS FOR DESIGN		NOTES
								MANUFACTURER	MODEL	
CD1	PERFORATED CEILING DIFFUSER	24" X 24"	ALUMINUM	WHITE	LAY-IN CEILING	GC	GC	NAILOR	4320A TYPE L	PROVIDE WITH INTEGRAL OBD
CD2	PERFORATED DIFFUSER WITH DEFLECTORS	24" X 12"	ALUMINUM	WHITE	LAY-IN CEILING	GC	GC	NAILOR	4320A TYPE L	PROVIDE WITH INTEGRAL OBD, REMOVE 4-WAY DEFLECTORS
CD3	PERFORATED CEILING DIFFUSER	12" X 12"	ALUMINUM	WHITE	SURFACE MOUNT	GC	CG	NAILOR	4320A TYPE S	PROVIDE WITH INTEGRAL OBD
ER1	PERFORATED CEILING EXHAUST	12" X 12"	ALUMINUM	WHITE	SURFACE MOUNT	GC	CG	NAILOR	4330R TYPE S	PROVIDE INTEGRAL OBD
RG1	PERFORATED CEILING RETURN	48" X 24"	ALUMINUM	WHITE	LAY-IN CEILING	GC	GC	NAILOR	4330R TYPE L	
RG3	PERFORATED CEILING RETURN	48" X 24"	ALUMINUM	WHITE	SURFACE MOUNT	GC	GC	NAILOR	4330R TYPE S	
SR1	ADJUSTABLE TURBO NOZZLE	SEE NECK SIZE	ALUMINUM	WHITE	WALL	GC	GC	AIR CONCEPTS	ANR-14	PROVIDE WITH CONCEALED MOUNTING AND FACE-ACCESSIBLE OBD
SR2	DOUBLE DEFLECTION SUPPLY REGISTER	SEE NECK SIZE	ALUMINUM	WHITE	WALL	GC	GC	NAILOR	51DH	PROVIDE WITH INTEGRAL OBD

### FAN SCHEDULE

TAG	DESCRIPTION	AIRFLOW	ESP	WEIGHT	ELECTRICAL			FURNISHED BY	INSTALLED BY	BASIS FOR DESIGN		REMARKS
					MOTOR POWER	VOLT	PH			MANUFACTURER	MODEL NO.	
EF-1	UPBLAST UL762 EXHAUST FAN	2550 CFM	1.20 in-wg	400 lb	2.00 hp	208 V	3	HS	GC	CAPTIVE-AIRE	DU180HFA	DIRECT DRIVE UL762 EXHAUST FAN FURNISHED WITH WEATHERPROOF DISCONNECT AND VENTED ROOF CURB
EF-2	DOWNBLAST RESTROOM EXHAUST FAN	150 CFM	0.60 in-wg	100 lb	0.25 hp	120 V	1	HS	GC	CAPTIVE-AIRE	DR12HFA	DIRECT DRIVE DOWNBLAST RESTROOM EXHAUST FAN FURNISHED WITH INTEGRAL DISCONNECT, SPEED CONTROL, BACKDRAFT DAMPER, AND CURB

### VIROGUARD

TAG	COUNT	DESCRIPTION	DUCT CONNECTION SIZE	FAN	FURNISHED BY	INSTALLED BY	BASIS FOR DESIGN MANUFACTURER
VG-1	1	VIROGUARD HOOD EXHAUST FAN ROOFTOP CONTAINMENT SYSTEM	16X16	CAPTIVE-AIRE DU180HFA	TDC	TDC	ENVIROMATIC

### AIR CURTAIN SCHEDULE

TAG	DESCRIPTION	AIRFLOW	WEIGHT	HEATING ELEMENT	MOTOR POWER	V/P/H	FURNISHED BY	INSTALLED BY	MANUFACTURER	Model	REMARKS
AC-2	UNHEATED AIR CURTAIN	1,360 CFM	42 lb	0 kW	0.2 hp	120/1/60	GC	GC	BERNER	SLC07-1048AA	PROVIDE WITH DOOR LIMIT SWITCH AND WALL MOUNTING BRACKETS.

### CONDENSING UNIT SCHEDULE

TAG	DESCRIPTION	NUMBER OF		REFRIGERANT		ELECTRICAL			FURNISHED BY	INSTALLED BY	BASIS FOR DESIGN		REMARKS		
		COMPRESSORS	CIRCUITS	TYPE	CHARGE	WEIGHT	MCCP	FLA			VOLT	PH		MANUFACTURER	MODEL NO.
CU-1	CONDENSING UNIT - WALK-IN COOLER	1	1	R-404A	10.40 lb	250 lb	15 A	9 A	208 V	3	WCS	GC	HARFORD	KPCL99MZOP-3E	FURNISHED WITH WALK-IN COOLER
CU-2	REMOTE CONDENSER - LOW CAPACITY ICE MAKER	0	1	R-404A	11.46 lb	100 lb	0 A	0 A	120 V	1	KES	GC	HOSHIZAKI	URC-9F	FURNISHED WITH ICE MAKER
CU-3	REMOTE CONDENSER - SODA MACHINE ICE MAKER	0	1	R-404A	3.86 lb	100 lb	0 A	0 A	120 V	1	KES	GC	HOSHIZAKI	URC-5F	FURNISHED WITH ICE MAKER

### MAKEUP AIR UNIT SCHEDULE

TAG	DESCRIPTION	AIRFLOW	ESP	HEATING			ELECTRICAL			FURNISHED BY	INSTALLED BY	BASIS FOR DESIGN		REMARKS	
				INPUT	OUTPUT	EAT(db)	WEIGHT	MOTOR POWER	VOLT			PH	MANUFACTURER		MODEL NO.
MAU-1	DIRECT-FIRED MAKEUP AIR UNIT	1300 CFM	0.50 in-wg	225000 Btu/h	220000 Btu/h	-3.8 °F	650 lb	1.00 hp	208 V	3	HS	GC	CAPTIVE-AIRE	A1-D-250-15D	12.5:1 MAX TURNDOWN. FURNISHED WITH DISCONNECT, ROOF CURB, SCREEN INTAKE, AND WASHABLE ALUMINUM FILTERS

### KITCHEN HOOD SCHEDULE

TAG	DESCRIPTION	MAX COOKING TEMP	EXHAUST PLENUM DUCT COLLARS				NO. OF LIGHT FIXTURES		WEIGHT	FURNISHED BY	INSTALLED BY	BASIS FOR DESIGN		REMARKS		
			AIRFLOW	ESP	NO.	WIDTH	LENGTH	WIDTH				MANUFACTURER	MODEL NO.			
HD-1	TYPE I CANOPY HOOD WITH PERFORATED MAU AND AC SUPPLY PLENUMS	600.0 °F	2550 CFM	0.97 in-wg	1	10"	2'-0"	12'-9"	4'-3"	8	1150 lb	HS	GC	Captive-Aire	5424 ND-2-ACPPS-F	MATL: 18 GA. TYPE430 SS. FURNISHED WITH VERTICAL END PANELS, VAPORPROOF INCANDESCENT LIGHT FIXTURES, 16" TALL HE SS FILTERS, INTEGRAL UTILITY CABINET, KITCHEN EXHAUST SUPPRESSION SYSTEM, DUCT COLLAR TEMPERATURE SENSOR, PREWIRE PACKAGE, SPARE FIRE SYSTEM DRY CONTACT, AND 4-POLE 20A CONTACTOR.

### ROOFTOP UNIT SCHEDULE

TAG	DESCRIPTION	NOMINAL CAPACITY	EER	AIRFLOW			NET COOLING CAPACITY				HEATING CAPACITY			NUMBER OF		REFRIGERANT		ELECTRICAL				FURNISHED BY	INSTALLED BY	BASIS FOR DESIGN		REMARKS		
				TOTAL	OA	ESP	TOTAL	SENSIBLE	EAT(db)	EAT(wb)	COND. EAT	INPUT	CAP	EAT(db)	COMPRESSORS	CIRCUITS	TYPE	CHARGE	WEIGHT	MCCP	FLA			VOLT	PH		MANUFACTURER	MODEL NO.
RTU-1	KITCHEN ROOFTOP UNIT	8.5 ton	12	3400 CFM	500 CFM	0.80 in-wg	100100 Btu/h	68600 Btu/h	77.3 °F	64.4 °F	95 °F	180000 Btu/h	144000 Btu/h	58.6 °F	2	2	R-410A	8.1/7.9 lb	1350 lb	60 A	48.3 A	208 V	3	HES	GC	YORK	ZJ102	FURNISHED WITH COMP. ENTHALPY ECON. BAROMETRIC RELIEF, RET. SMOKE DETECTOR W/ REMOTE KEYED ANNUNCIATOR/RESET, M.O.D., MERV-8 FILTERS, CURB, HAIL GUARD, TOOLLESS HINGED ACCESS PANELS, DISCONNECT, & UNIT-MOUNTED CONVENIENCE RECEPTACLE
RTU-2	DINING ROOM ROOFTOP UNIT	10.0 ton	12	4000 CFM	1000 CFM	0.80 in-wg	118100 Btu/h	89300 Btu/h	78.9 °F	65.7 °F	95 °F	240000 Btu/h	192000 Btu/h	50.7 °F	2	2	R-410A	7.8/7.6 lb	1350 lb	60 A	44.9 A	208 V	3	HES	GC	YORK	ZJ120	FURNISHED WITH COMP. ENTHALPY ECON. BAROMETRIC RELIEF, RET. SMOKE DETECTOR W/ REMOTE KEYED ANNUNCIATOR/RESET, M.O.D., MERV-8 FILTERS, CURB, HAIL GUARD, TOOLLESS HINGED ACCESS PANELS, DISCONNECT, & UNIT-MOUNTED CONVENIENCE RECEPTACLE

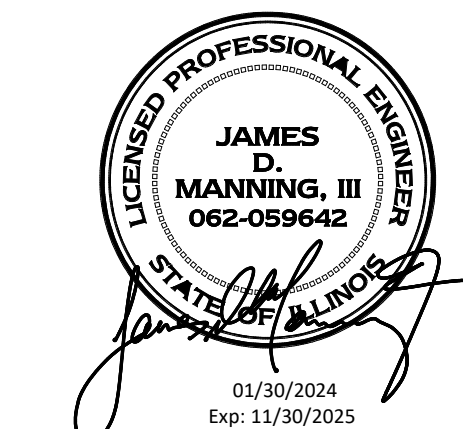
### ASHRAE 62.1 Ventilation Calculations

Ventilation Equipment Identity	Location			Occupants or Units	Ventilation Rate Procedure			
	No.	Name	Occupancy Category		Design	Area, Az	Breathing Zone Outdoor Airflow, Voz	Zone Air Effectiveness, Ez
RTU-1	104	POS	Restaurant dining rooms	15.6	224 SF	158 CFM	0.8	197 CFM
RTU-1	106	SERVING	Kitchen (cooking)	2.8	138 SF	37 CFM	0.8	47 CFM
RTU-1	107	COOKING	Kitchen (cooking)	5.6	278 SF	75 CFM	0.8	94 CFM
RTU-1	108	KITCHEN	Kitchen (cooking)	6.4	320 SF	86 CFM	0.8	108 CFM
RTU-1	109	OFFICE	Office space	0.2	44 SF	4 CFM	0.8	5 CFM
RTU-1					1004 SF			450 CFM
RTU-2	100	MAIN ENTRY	Main entry lobbies	0.6	63 SF	7 CFM	0.8	9 CFM
RTU-2	101	DINING	Restaurant dining rooms	36.0	515 SF	363 CFM	0.8	454 CFM
RTU-2	102	UTENSIL	Restaurant dining rooms	2.4	34 SF	24 CFM	0.8	30 CFM
RTU-2	103	PASSAGE	Corridors	0.0	33 SF	2 CFM	0.8	3 CFM
RTU-2	105	ORDERING	Restaurant dining rooms	4.8	69 SF	48 CFM	0.8	61 CFM
RTU-2					714 SF			556 CFM
Grand total: 10					1718 SF			1006 CFM

### CONTROL FUNCTIONS

- THE MAIN COOKING EXHAUST FAN AND ROOFTOP HEAP PUMP UNITS SHALL BE INTERLOCKED TO OPERATE TOGETHER. THIS CONTROL CIRCUIT IS ACTIVATED BY A SWITCH AND INCLUDES A FIRE PROTECTION OVERRIDE.
- THE TEMPERATURE IN EACH ZONE IS CONTROLLED BY SPACE TEMPERATURE SENSORS CONNECTED TO THE THERMOSTATS LOCATED IN THE OFFICE. ALL ZONES SHALL OPERATE WITH CONTINUOUS FAN OPERATION DURING OCCUPIED TIMES AND INTERMITTENTLY AS NEEDED TO MAINTAIN SET POINTS DURING UNOCCUPIED TIMES. OUTSIDE AIR DAMPERS SHALL BE OPEN CONTINUOUSLY WHEN EITHER IN OCCUPIED MODE OR WHEN THE HOOD SYSTEM IS ON AND SHALL BE CLOSED DURING UNOCCUPIED PERIODS.
- THE THERMOSTATS SHALL DETERMINE OCCUPIED/UNOCCUPIED STATUS BASED ON THE SCHEDULE IN THE ENERGY MANAGEMENT SYSTEM.

Consultant:



COPYRIGHT 2024  
THIS DRAWING IS AN INSTRUMENT OF SERVICE AND AS SUCH REMAINS THE PROPERTY OF CHIPOTLE MEXICAN GRILL, INC. PERMISSION FOR USE OF THIS DOCUMENT IS LIMITED AND CAN BE EXTENDED ONLY BY WRITTEN AGREEMENT WITH CHIPOTLE MEXICAN GRILL, INC.



CHIPOTLE MEXICAN GRILL, INC.  
PO BOX 182566  
COLUMBUS, OH 43218-2566  
(614) 318-2400  
www.chipotle.com

STORE NO.: 5037

"HUNTLEY"  
12990 ROUTE 47, LOT 4B  
HUNTLEY, IL 60142

Issue Record:	
01/30/2024	PERMIT SUBMITTAL
03/15/2024	BID SET
05/03/2024	CONSTRUCTION SET

Revisions:	
03/07/24	CITY COMMENTS
05/03/24	CONSTRUCTION

Drawn:	Checked:
RLD	LAO

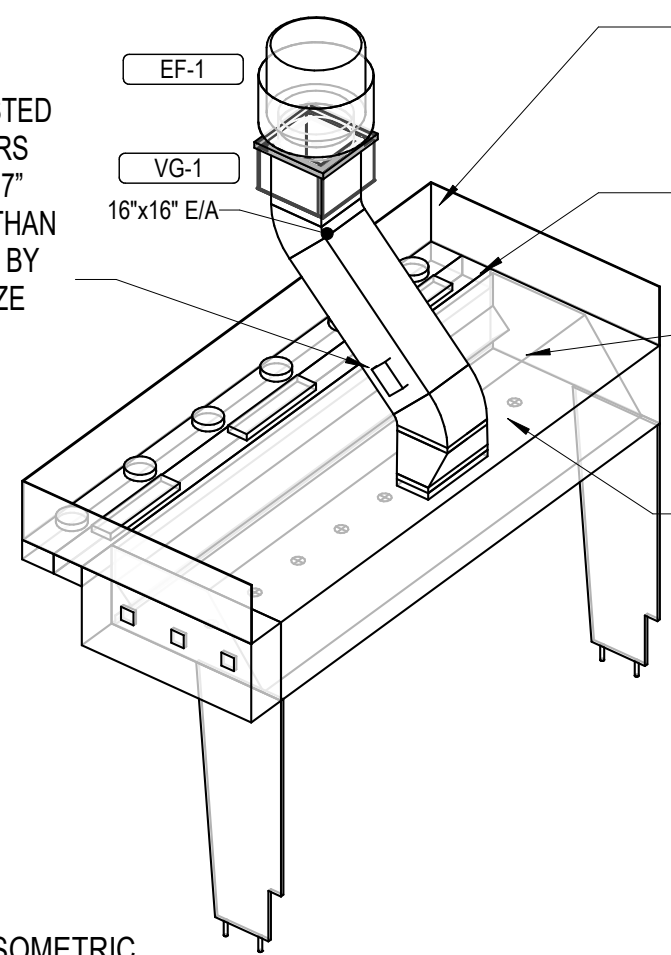
Project No.  
2023-0175

Contents:

HVAC SCHEDULES

M600

GREASE DUCT CLEANOUTS SHALL BE UL-LISTED DUCTMATE PREINSULATED CLEANOUT DOORS MODEL D128ULWSBI FOR DUCTS AT LEAST 17" TALL AND DW128ULWSBI FOR DUCTS LESS THAN 17" TALL. CLEANOUTS SHALL BE FURNISHED BY THE TENANT. COORDINATE NUMBER AND SIZE REQUIRED WITH ENVIRONMENTAL. INSTALL AS SHOWN IN THE HVAC FLOOR PLAN.



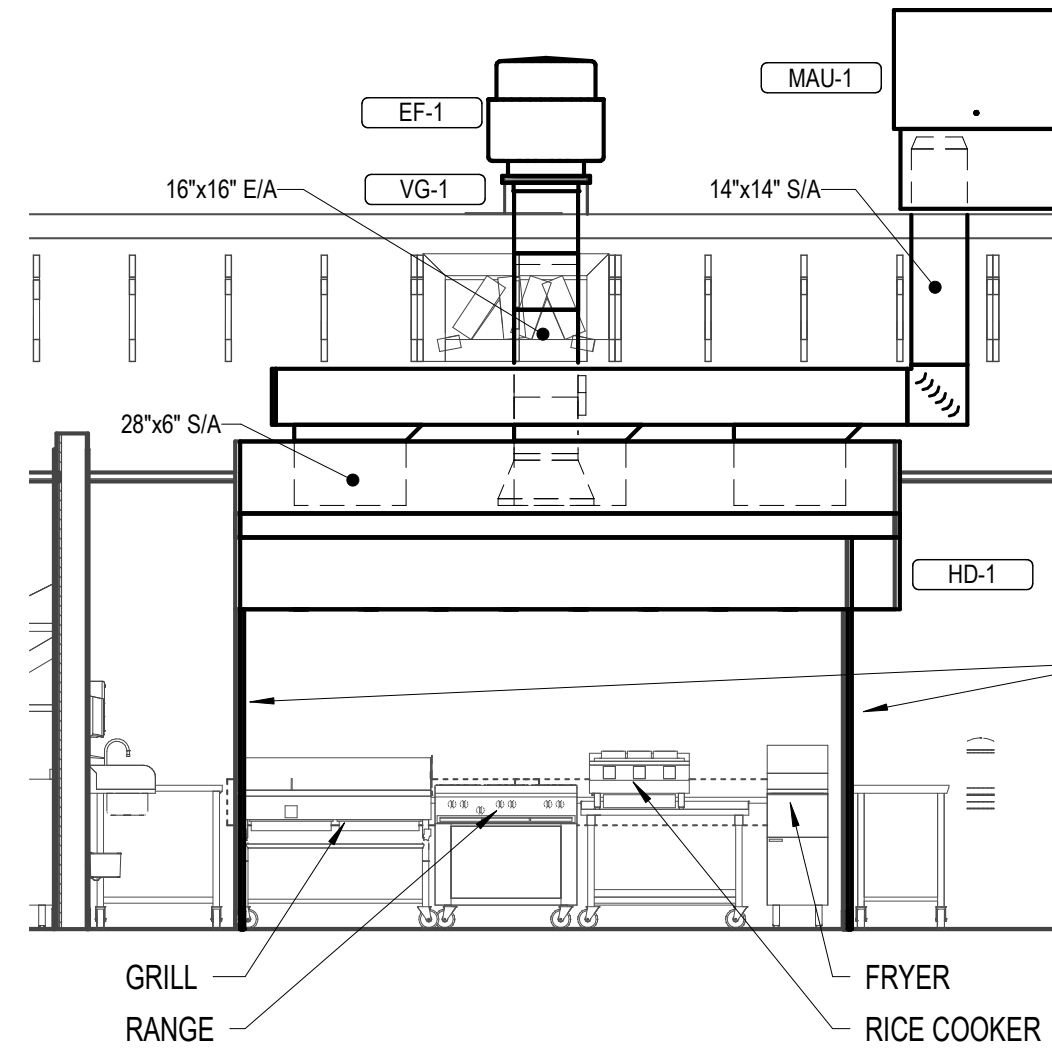
PROVIDE FIRE RESISTANT INSULATION ON TYPE I HOOD EXHAUST DUCT FROM CONNECTION TO HOOD TO CONNECTION TO EXHAUST FAN PER DETAIL 3/M700.

SLOPE HORIZONTAL GREASE DUCT A MINIMUM OF 1/4" PER FOOT DOWN TOWARD THE CONNECTION TO THE HOOD.

PROVIDE RADIUS ELBOWS WITH AN INSIDE RADIUS OF 0.5 X THE DUCT DIMENSION AT ALL CHANGES OF DIRECTION IN THE TYPE I HOOD EXHAUST DUCT.

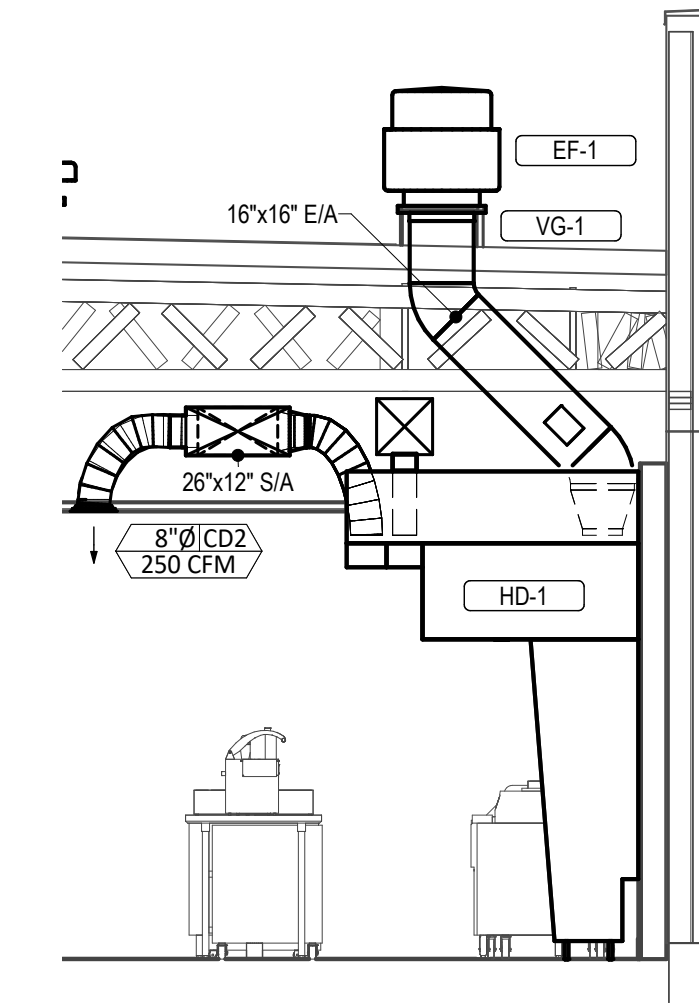
MAINTAIN SYMMETRY IN GREASE EXHAUST DUCT'S TRANSITION TO THE EXHAUST RISER.

9 HOOD EXHAUST ISOMETRIC  
M700 NOT TO SCALE

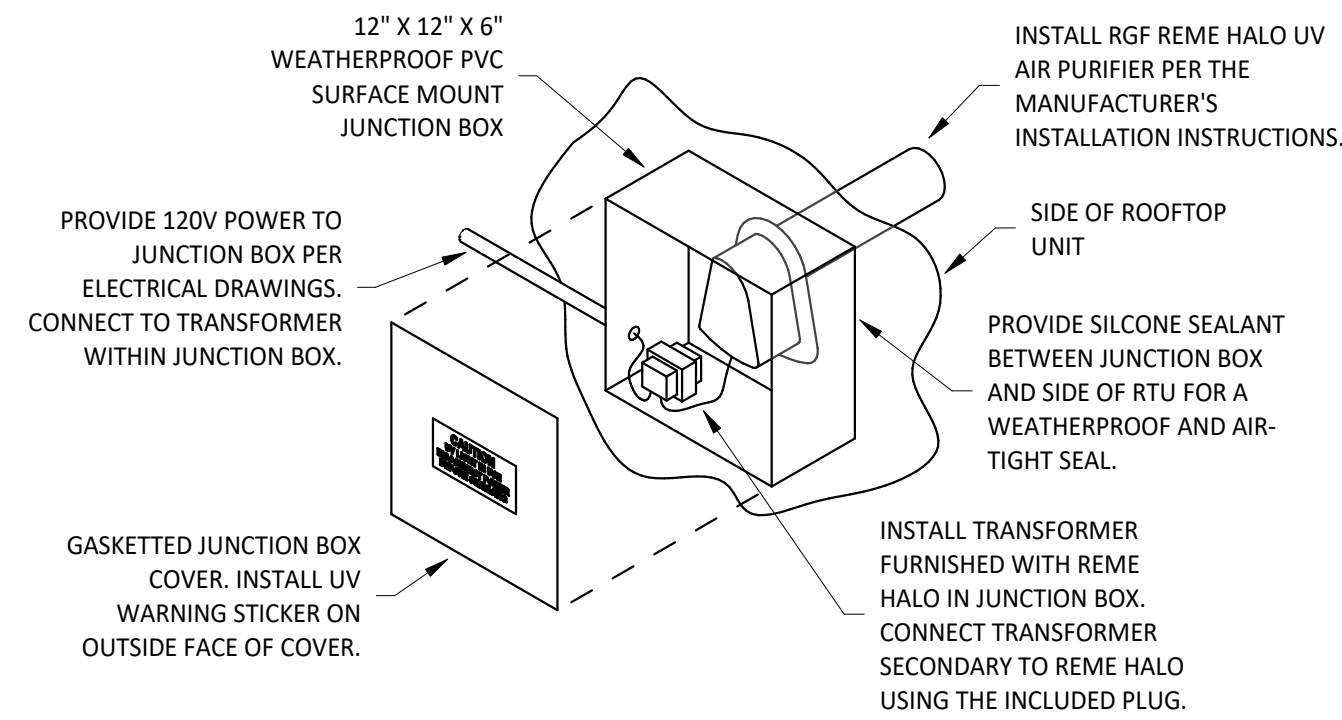


INSTALL VERTICAL END PANELS AT EACH END OF HOOD AS SHOWN. HOOD IS UL-LISTED FOR 0" OVERHANG WHEN USED WITH VERTICAL END PANELS.

8 HOOD ELEVATION  
M700 NOT TO SCALE



7 DUCT SECTION AT HOOD  
M700 NOT TO SCALE



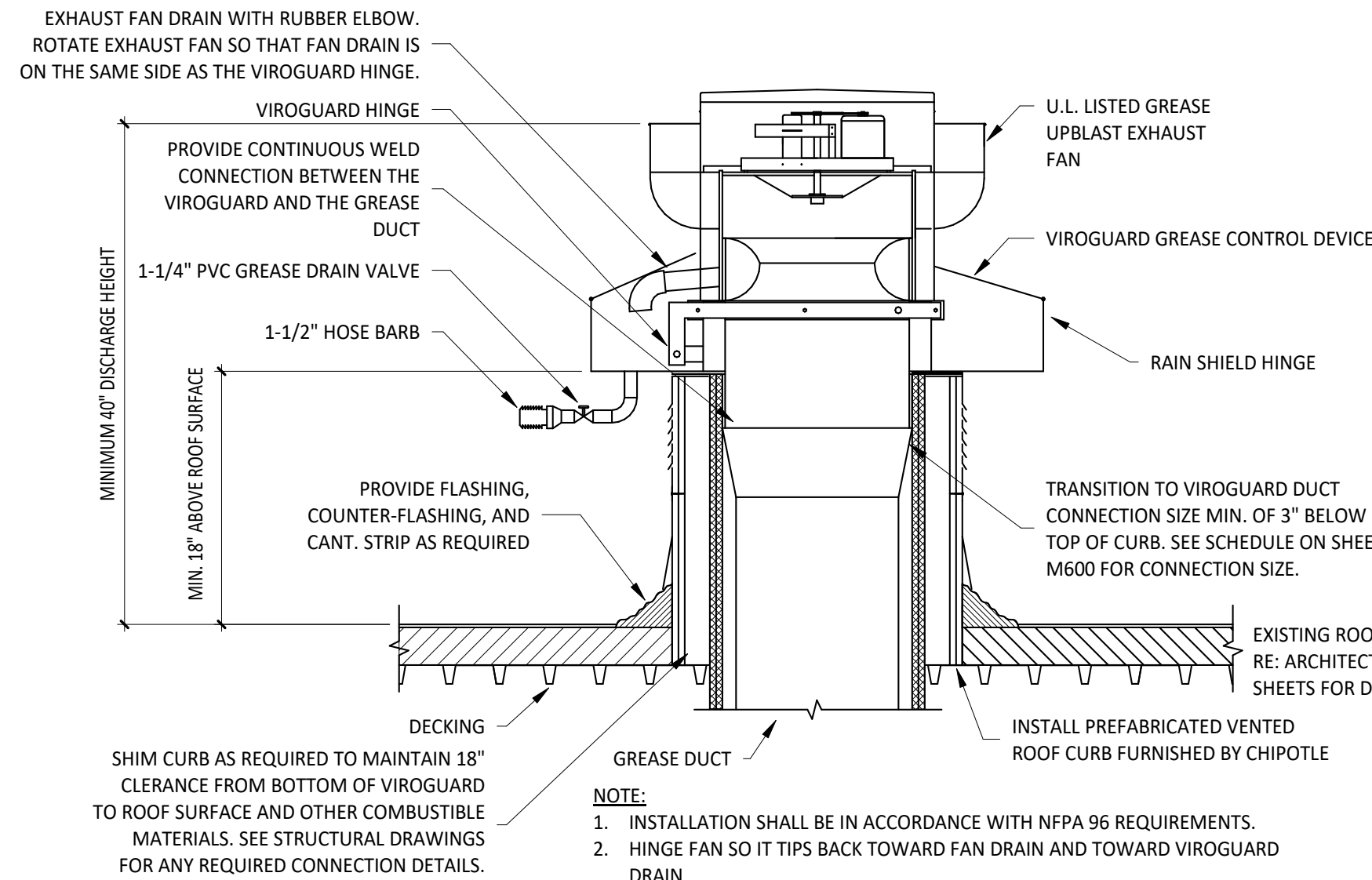
INSTALL RFG REME HALO UV AIR PURIFIER PER THE MANUFACTURER'S INSTALLATION INSTRUCTIONS.

PROVIDE SILICONE SEALANT BETWEEN JUNCTION BOX AND SIDE OF RTU FOR A WEATHERPROOF AND AIR-TIGHT SEAL.

INSTALL TRANSFORMER FURNISHED WITH REME HALO IN JUNCTION BOX. CONNECT TRANSFORMER SECONDARY TO REME HALO USING THE INCLUDED PLUG.

**INSTALLATION LOCATION**  
INSTALL AIR PURIFIER WITH JUNCTION BOX ON OUTSIDE FACE OF ROOFTOP UNIT AND WITH UV LAMP TUBE EXTENDING INTO THE INTERIOR OF THE ROOFTOP UNIT. FIELD VERIFY EXACT LOCATION TO AVOID DAMAGING, TOUCHING, OR INTERFERING WITH ANY RTU INTERIOR COMPONENTS. INSTALLATION LOCATION SHALL BE AS FOLLOWS:  
**FRAME:** INSTALL INTO THE SUPPLY AIR STREAM THROUGH THE REMOVABLE PANEL COVERING THE HORIZONTAL DISCHARGE SUPPLY AIR OPENING.  
**YORK:** INSTALL INTO THE SUPPLY AIR PLENUM FROM THE BACK SIDE OF THE UNIT JUST ABOVE THE HEAT EXCHANGER.

6 UV AIR PURIFIER INSTALLATION  
M700 NOT TO SCALE



EXHAUST FAN DRAIN WITH RUBBER ELBOW. ROTATE EXHAUST FAN SO THAT FAN DRAIN IS ON THE SAME SIDE AS THE VIROGUARD HINGE.

VIROGUARD HINGE

PROVIDE CONTINUOUS WELD CONNECTION BETWEEN THE VIROGUARD AND THE GREASE DUCT

1-1/4" PVC GREASE DRAIN VALVE

1-1/2" HOSE BARB

U.L. LISTED GREASE UPBLAST EXHAUST FAN

VIROGUARD GREASE CONTROL DEVICE

RAIN SHIELD HINGE

PROVIDE FLASHING, COUNTER-FLASHING, AND CANT. STRIP AS REQUIRED

TRANSITION TO VIROGUARD DUCT CONNECTION SIZE MIN. OF 3" BELOW TOP OF CURB. SEE SCHEDULE ON SHEET M600 FOR CONNECTION SIZE.

EXISTING ROOF DECK RE. ARCHITECTURAL SHEETS FOR DETAILS

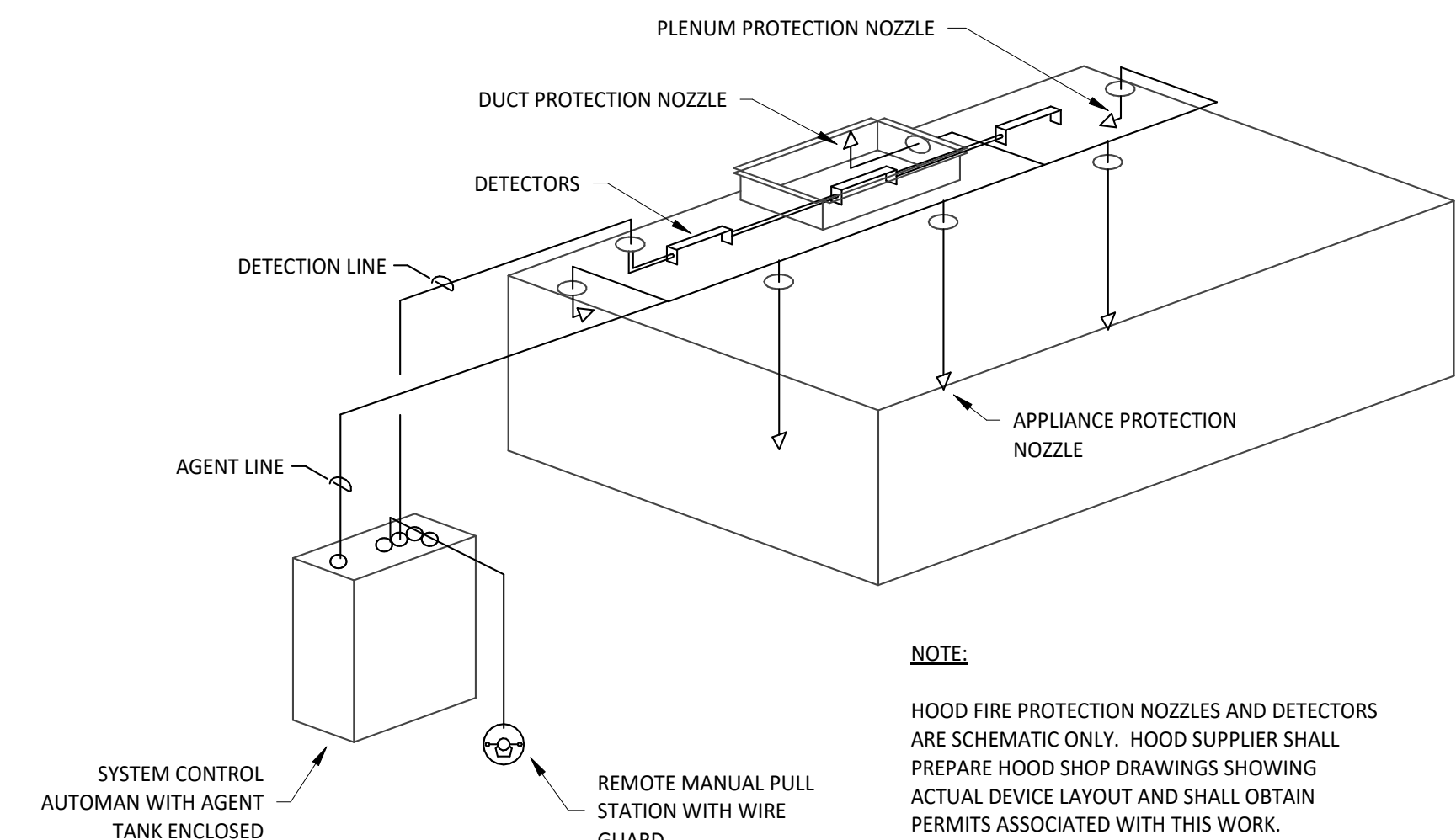
INSTALL PREFABRICATED VENTED ROOF CURB FURNISHED BY CHIPOTLE

DECKING

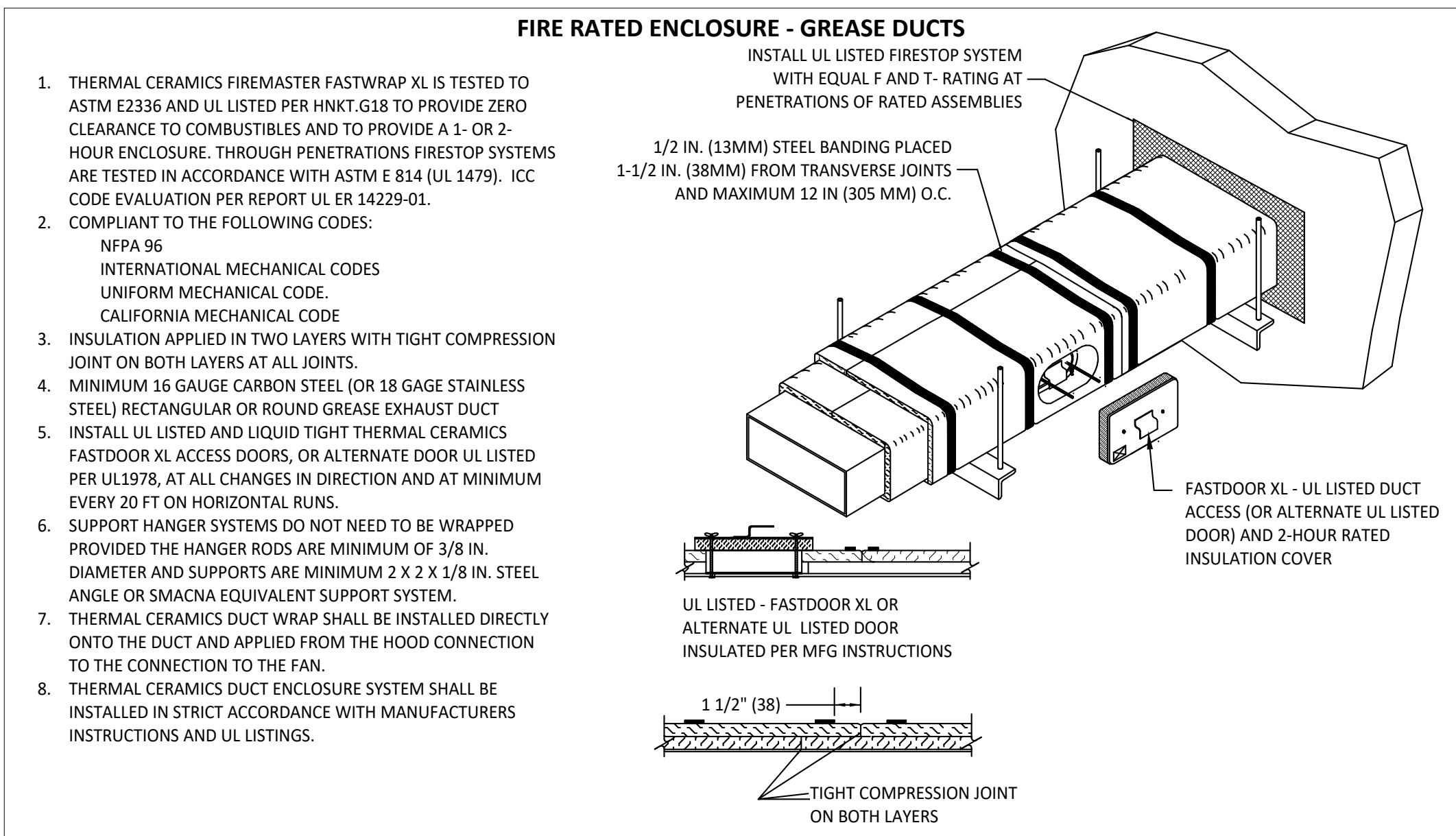
SHIM CURB AS REQUIRED TO MAINTAIN 18" CLEARANCE FROM BOTTOM OF VIROGUARD TO ROOF SURFACE AND OTHER COMBUSTIBLE MATERIALS. SEE STRUCTURAL DRAWINGS FOR ANY REQUIRED CONNECTION DETAILS.

**NOTE:**  
1. INSTALLATION SHALL BE IN ACCORDANCE WITH NFPA 96 REQUIREMENTS.  
2. HINGE FAN SO IT TIPS BACK TOWARD FAN DRAIN AND TOWARD VIROGUARD DRAIN.

5 GREASE EXHAUST FAN  
M700 NOT TO SCALE



4 FIRE SUPPRESSION SYSTEM SCHEMATIC  
M700 NOT TO SCALE



**FIRE RATED ENCLOSURE - GREASE DUCTS**

INSTALL UL LISTED FIRESTOP SYSTEM WITH EQUAL F AND T- RATING AT PENETRATIONS OF RATED ASSEMBLIES

1/2 IN. (13MM) STEEL BANDING PLACED 1-1/2 IN. (38MM) FROM TRANSVERSE JOINTS AND MAXIMUM 12 IN. (305 MM) O.C.

FASTDOOR XL - UL LISTED DUCT ACCESS (OR ALTERNATE UL LISTED DOOR) AND 2-HOUR RATED INSULATION COVER

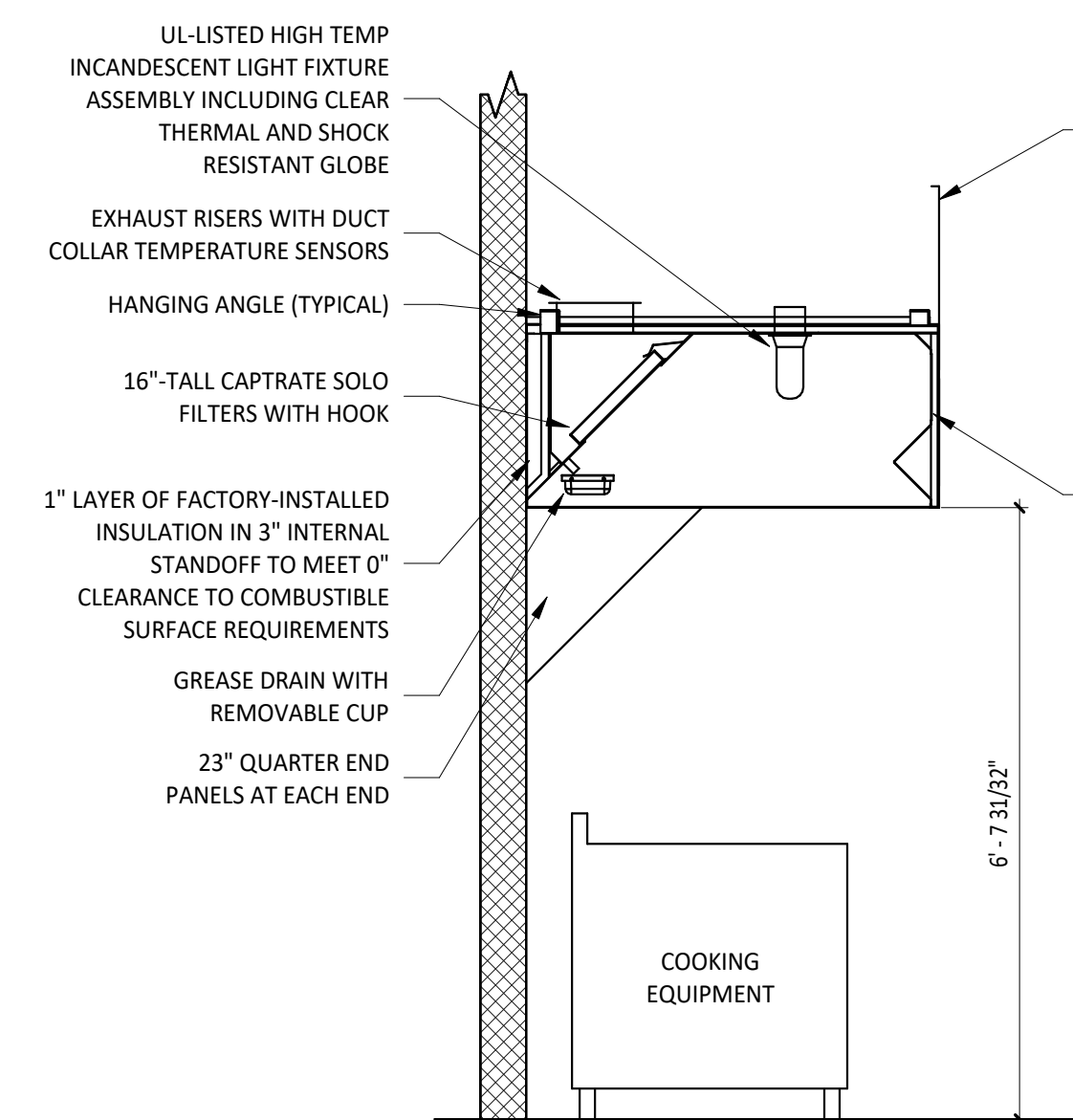
UL LISTED - FASTDOOR XL OR ALTERNATE UL LISTED DOOR INSULATED PER MFG INSTRUCTIONS

1 1/2" (38)

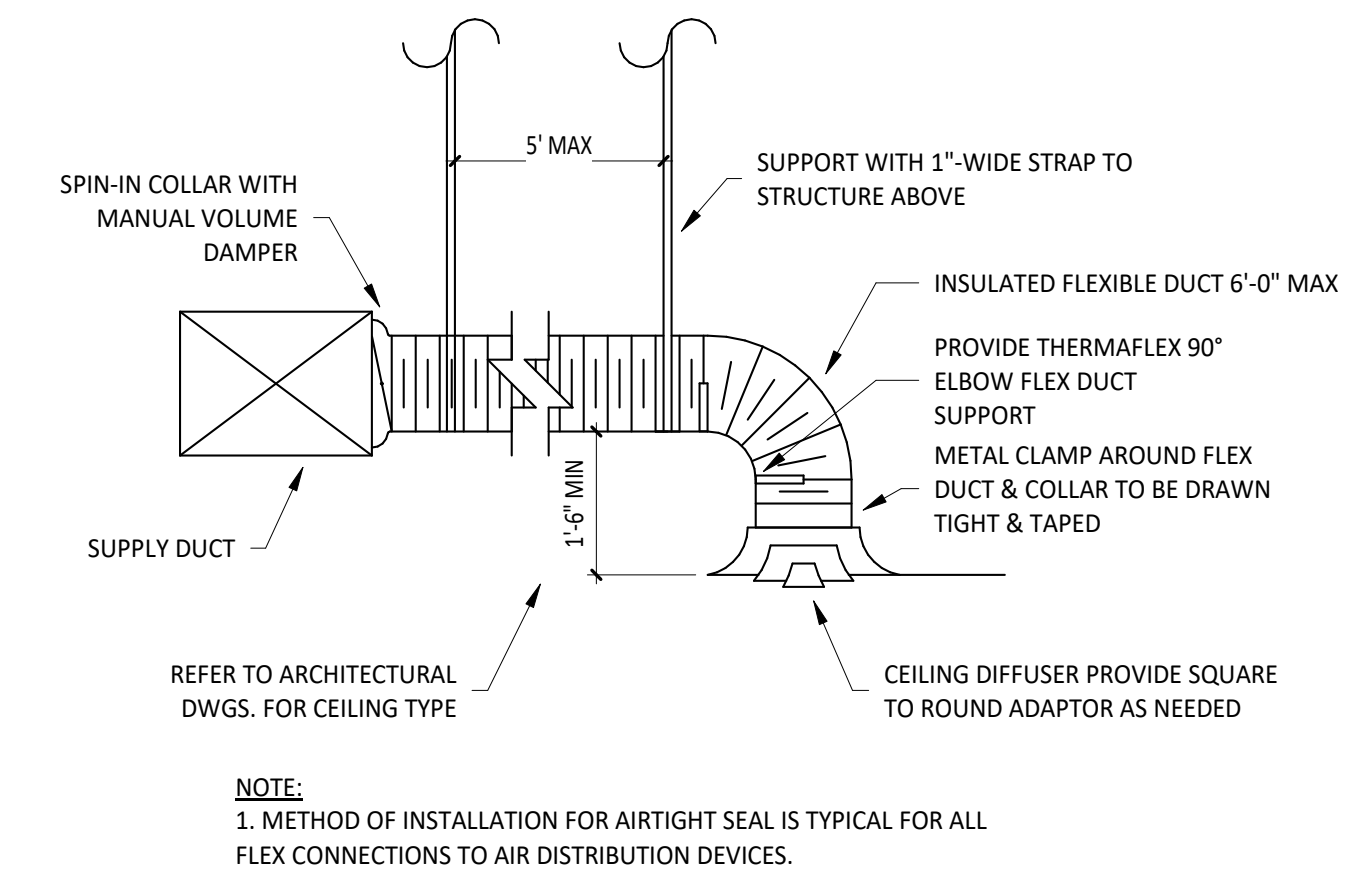
TIGHT COMPRESSION JOINT ON BOTH LAYERS

- THERMAL CERAMICS FIREMASTER FASTWRAP XL IS TESTED TO ASTM E2336 AND UL LISTED PER HNK.T.G18 TO PROVIDE ZERO CLEARANCE TO COMBUSTIBLES AND TO PROVIDE A 1- OR 2-HOUR ENCLOSURE. THROUGH PENETRATIONS FIRESTOP SYSTEMS ARE TESTED IN ACCORDANCE WITH ASTM E 814 (UL 1479). ICC CODE EVALUATION PER REPORT UL ER 14229-01.
- COMPLIANT TO THE FOLLOWING CODES:  
NFPA 96  
INTERNATIONAL MECHANICAL CODES  
UNIFORM MECHANICAL CODE  
CALIFORNIA MECHANICAL CODE
- INSULATION APPLIED IN TWO LAYERS WITH TIGHT COMPRESSION JOINT ON BOTH LAYERS AT ALL JOINTS.
- MINIMUM 16 GAUGE CARBON STEEL (OR 18 GAGE STAINLESS STEEL) RECTANGULAR OR ROUND GREASE EXHAUST DUCT
- INSTALL UL LISTED AND LIQUID TIGHT THERMAL CERAMICS FASTDOOR XL ACCESS DOORS, OR ALTERNATE DOOR UL LISTED PER UL1978, AT ALL CHANGES IN DIRECTION AND AT MINIMUM EVERY 20 FT ON HORIZONTAL RUNS.
- SUPPORT HANGER SYSTEMS DO NOT NEED TO BE WRAPPED PROVIDED THE HANGER RODS ARE MINIMUM OF 3/8 IN. DIAMETER AND SUPPORTS ARE MINIMUM 2 X 2 X 1/8 IN. STEEL ANGLE OR SMACNA EQUIVALENT SUPPORT SYSTEM.
- THERMAL CERAMICS DUCT WRAP SHALL BE INSTALLED DIRECTLY ONTO THE DUCT AND APPLIED FROM THE HOOD CONNECTION TO THE CONNECTION TO THE FAN.
- THERMAL CERAMICS DUCT ENCLOSURE SYSTEM SHALL BE INSTALLED IN STRICT ACCORDANCE WITH MANUFACTURERS INSTRUCTIONS AND UL LISTINGS.

3 FIREMASTER DUCT WRAP - UL HNK-T-G18  
M700 NOT TO SCALE



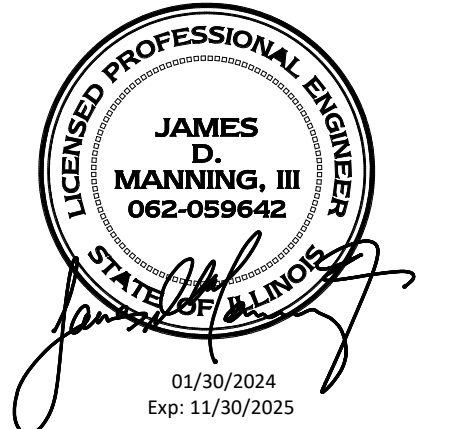
2 HOOD SECTION VIEW  
M700 NOT TO SCALE



1 DIFFUSER CONNECTION  
M700 NOT TO SCALE

Consultant:

**AYRES**  
MECHANICAL, ELECTRICAL,  
PLUMBING (MEP)  
1700 West Highway 36 - Suite 700  
Roseville, Minnesota 55113  
(651) 639-9606 Fax (651) 639-9618  
Project No. 81-0606



COPYRIGHT 2024  
THIS DRAWING IS AN INSTRUMENT OF SERVICE AND AS SUCH REMAINS THE PROPERTY OF CHIPOTLE MEXICAN GRILL, INC. PERMISSION FOR USE OF THIS DOCUMENT IS LIMITED AND CAN BE EXTENDED ONLY BY WRITTEN AGREEMENT WITH CHIPOTLE MEXICAN GRILL, INC.



CHIPOTLE MEXICAN GRILL, INC.  
PO BOX 182566  
COLUMBUS, OH 43218-2566  
(614) 318-2400  
www.chipotle.com

STORE NO.: 5037

"HUNTLEY"

12990 ROUTE 47, LOT 4B  
HUNTLEY, IL 60142

Issue Record:	PERMIT SUBMITTAL
01/30/2024	BID SET
03/15/2024	CONSTRUCTION SET
05/03/2024	

Revisions:

Drawn:	Checked:
RLD	LAO

Project No.  
2023-0175

Contents:

HVAC DETAILS

M700