

PLAN NOTES

1. INSTALLATION SHALL COMPLY WITH 2020 FBC-MECHANICAL 1st EDITION AND 2020 FBC-ENERGY CONSERVATION 1st EDITION AND ALL APPLICABLE LAWS, CODES AND ORDINANCES.
2. DUCTWORK HAS BEEN COORDINATED WITH THE PROPOSED TRUSS LAYOUT. ACTUAL INSTALLED CONFIGURATION MAY DIFFER FROM ORIGINAL PLANS. COORDINATE WITH THE GENERAL CONTRACTOR AS TRUSSES ARE INSTALLED TO CONFIRM DUCT LAYOUT AS DESIGNED WILL WORK WITH THE INSTALLED TRUSS CONFIGURATION. MINOR MODIFICATIONS IN LOCATIONS MAY BE REQUIRED.
3. THE MECHANICAL CONTRACTOR SHALL PROVIDE ALL OPERATING AND MAINTENANCE MANUALS FOR ALL EQUIPMENT TO THE OWNER AS REQUIRED PER 2009 IECC.
4. THE ENTIRE BUILDING IS CONDITIONED EXCEPT FOR THE COOLER AND FREEZER TOTAL BUILDING SQUARE FOOTAGE IS 4395. AREA OF COOLER/FREEZER IS 278 SQ. FT. TOTAL CONDITIONED SQUARE FOOTAGE IS 4117 SQ. FT.

KEYED NOTES:

- 1 RTU-OA 100% OUTSIDE AIR UNIT WITH 3250 TOTAL CFM, 1050 CFM BALANCE BY PASS TO BLEND WITH 2000 CFM OUTSIDE AIR. EXTEND DUCTS TO RTU-1 AND RTU-2 AS INDICATED.
- 2 EXHAUST DUCTS FROM CEILING EXHAUST FANS TO GREENHECK ROOF EXHAUST VENTILATOR. TRANSITION FROM THROAT TO 14x14 FLENUM DUCT AND EXTEND DOWN 12" BELOW JOISTS FOR CONNECTION OF EXHAUST DUCT(S).
- 3 FRV-2 ON ROOF. TRANSITION FROM FAN OPENING TO 12x12 WELDED STEEL EXHAUST DUCT AND EXTEND DOWN TO HOOD EXHAUST OPENING. REFER TO DETAILS FOR ADDITIONAL INFORMATION.
- 4 FRV-3 ON ROOF. TRANSITION FROM FAN OPENING TO 12x12 WELDED STEEL EXHAUST DUCT AND EXTEND DOWN TO HOOD EXHAUST OPENING. REFER TO DETAILS FOR ADDITIONAL INFORMATION.
- 5 EXTEND 4" GALVANIZED SNAP-LOK DRYER VENT FROM DRYER THRU EXTERIOR WALL.
- 6 PROVIDE SURFACE MOUNT FRAME FOR INSTALLATION IN GYP/HARD CEILING.
- 7 UNIT WEIGHTS ARE LISTED FOR COORDINATION. VERIFY EXACT LOCATION WITH GC.
- 8 INSTALL THERMOSTATS FOR RTU-1 & RTU-2 IN MANAGERS OFFICE WITH SENSORS AT INDIVIDUAL ZONES AS INDICATED.
- 9 FLEX CONNECTIONS TO RETURN AIR DOWN DUCT THROUGH TRUSS WEBBING.
- 10 EXTEND 12" OUTSIDE AIR DUCTS TO EACH RETURN AIR DOWN DUCT FOR RTU-1 & RTU-2, DUE TO SMALL SCALE AND CLARITY OUTSIDE AIR DUCTS ARE NOT SHOWN IN THEIR ENTIRETY.
- 11 TRANSITION FROM RTU-2 RETURN AIR OPENING TO 36x24 AND EXTEND DOWN TO ELEVATION WHICH WILL ALLOW FOR EXTENDING THE 16" FLEX RUNS WITH VOLUME DAMPERS TO RETURN GRILLES AS INDICATED. FIELD COORDINATE PRIOR TO INSTALLATION.
- 12 RIGID CONNECTIONS FOR TYPE F DIFFUSERS ON COOK LINE AND DIFFUSER OVER ICE MACHINE. SEE DETAIL 5 ON SHEET M2.
- 13 STAINLESS STEEL WALL PANEL AT HOOD, FURNISHED AND INSTALLED BY GENERAL CONTRACTOR.
- 14 PROVIDE PLENUM BOX ATTACHED TO RETURN GRILLE FOR TRANSFER AIR FROM OFFICE & UTILITY ROOM.
- 15 FRV-4 ON ROOF. TRANSITION FROM FAN OPENING TO 1x1 SHEET METAL EXHAUST DUCT AND EXTEND DOWN TO HOOD EXHAUST OPENING. REFER TO DETAILS FOR ADDITIONAL INFORMATION.
- 16 PROVIDE INDEPENDENT ON/OFF SWITCH FOR EF-2 ABOVE MOP BASIN.
- 17 FLEX CONNECTION NOT SHOWN DUE TO CLARITY. MAKE 16" FLEX CONNECTION AS NECESSARY.

OUTSIDE AIR CALCULATION:

(PER TABLE 6-1, ASHRAE 62.1, 2004)

RESTAURANT DINING ROOM OCCUPANCY:
 NET OCCUPIABLE SPACE = 2107 SQ. FT.
 TOTAL PERSONS x 1.5 x .18 x NET SQ. FT. = REQ'D CFM.
 2107 x .18 x 3.1926 CFM
 CUSTOMER SEATING: 104 PERSONS
 STAFF: 22 PERSONS

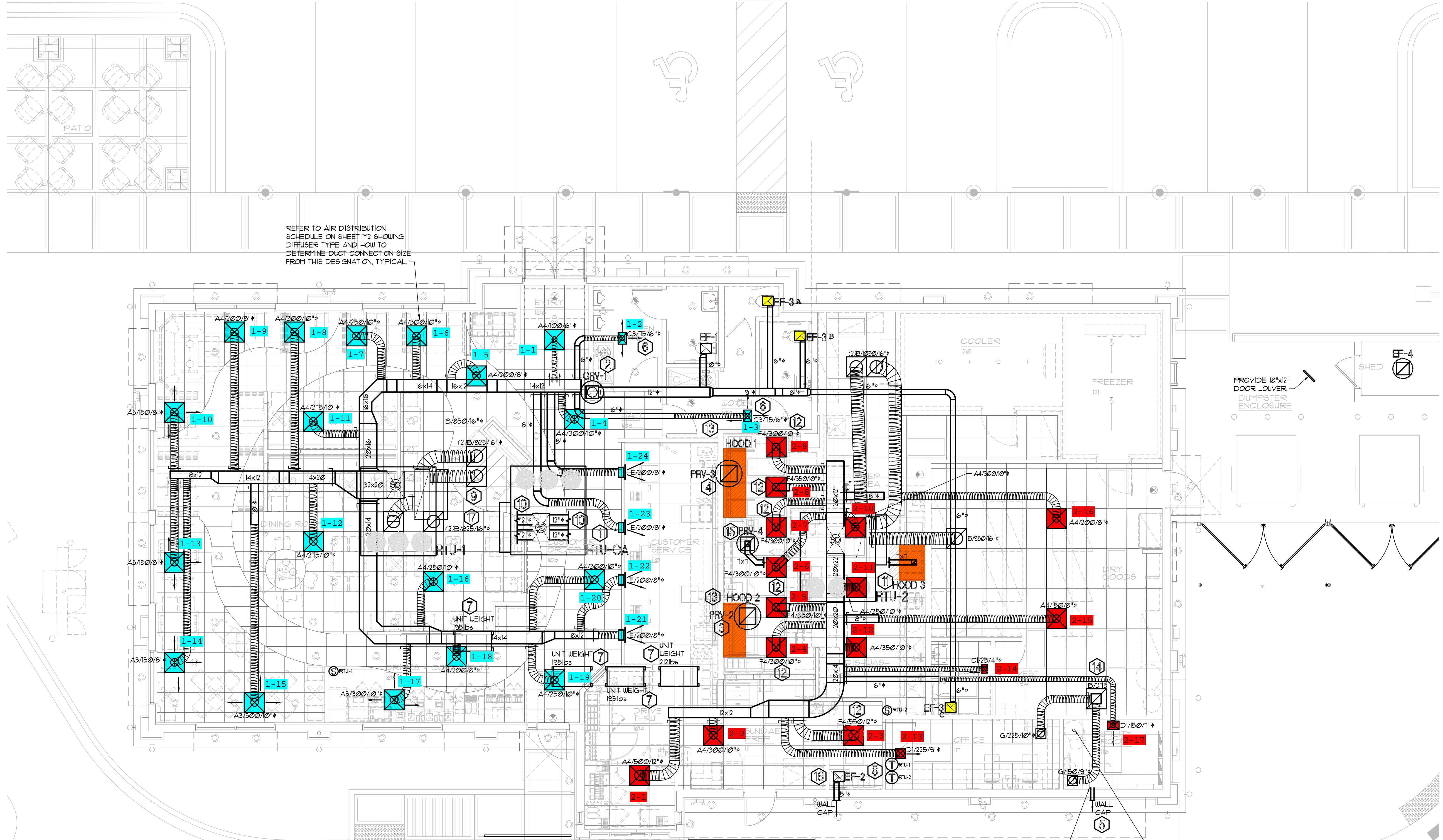
TOTAL PERSONS x 1.5 x .18 x NET SQ. FT. = REQ'D CFM.
 (126 x 1.5) x (.18 x 2107) = 132426 CFM REQUIRED.

OUTSIDE AIR PROVIDED:
 RTU-1 - 1900 CFM
 RTU-2 - 1950 CFM
 TOTAL: 3850 CFM - IN COMPLIANCE.

REVISIONS	BY

HYAC GENERAL NOTES

1. DUCT SIZES ARE CLEAR INSIDE DIMENSIONS. VERIFY ALL DIMENSIONS AND LOCATIONS PRIOR TO FABRICATION OR INSTALLATION. ALL RECTANGULAR/SQUARE DUCTWORK SHALL BE FINEST QUALITY GALVANIZED SHEET STEEL WITH 2 3/4 LB. DENSITY FOIL FACED EXTERNAL INSULATION WITH AN R-VALUE OF 6.0. COORDINATE DUCTS WITH STRUCTURE PRIOR TO INSTALLATION. ALL DUCT SHALL BE CONSTRUCTED AND INSTALLED PER SMACNA REQUIREMENTS.
2. ALL FLEXIBLE DUCT CONNECTIONS SHALL BE CLASS ONE TYPE. PROVIDE TAB COLLARS AT MAIN DUCT WITH MANUAL VOLUME DAMPER WITH LOCKING QUADRANT.
3. AN IONIZATION PRINCIPLE SMOKE DETECTOR SHALL BE INSTALLED IN THE SUPPLY DUCTWORK OF ALL RTU'S AND PROVIDED BY LENNOX WITHIN UNIT. THE DETECTOR SHALL BE WIRED TO APPLICABLE FIRE ALARM SYSTEM BY THE FIRE ALARM CONTRACTOR. PROVIDE LED, AND HORN ALARM STATIONS (DUCT SMOKE DETECTOR'S REMOTE TEST SWITCH) LOCATED IN NORMALLY OCCUPIED AREA MOUNTED AT 48" AFF.
4. ALL ROOF AND WALL PENETRATIONS SHALL BE SEALED BY THE GENERAL CONTRACTOR.
5. CONTRACTOR SHALL COORDINATE WITH STRUCTURAL PLANS PRIOR TO BID TO VERIFY EXISTING CLEARANCES FOR DUCT. COORDINATE WITH THE GENERAL CONTRACTOR PRIOR TO TRUSS ORDER AND AS STRUCTURE IS BEING CONSTRUCTED TO ASSURE ALL CLEARANCES FOR DUCTWORK ARE COORDINATED.
6. DEVIATION FROM MATERIALS, METHODS, OR PROCEDURES SET FORTH HEREIN MUST BE APPROVED, IN WRITING, BY ENGINEER PRIOR TO SUBMISSION OF BID, ORDER, FABRICATION OR INSTALLATION.
7. ANY AND ALL QUESTIONS AS TO THE INTENT OF OR PROCEDURES SET FORTH IN THESE DRAWINGS MUST BE BROUGHT TO THE ATTENTION OF THE ENGINEER PRIOR TO SUBMISSION OF A BID. LACK OF KNOWLEDGE OR UNDERSTANDING OF THE PLANS SHALL NOT JUSTIFY ANY CLAIMS OR ADDITIONAL COMPENSATION.
8. INSTALLATION SHALL COMPLY WITH 2020 FBC-MECHANICAL 1st EDITION AND 2020 FBC-ENERGY CONSERVATION 1st EDITION AND ALL APPLICABLE LAWS, CODES AND ORDINANCES.
9. THE HYAC CONTRACTOR SHALL COORDINATE ALL EQUIPMENT, DUCT, PIPING, LOUVERS, DIFFUSERS, ETC. INCLUDING LOCATIONS AND CLEARANCES WITH ALL OTHER TRADES ON PROJECT IN PRE-CONSTRUCTION MEETING, PRIOR TO ANY ORDER, FABRICATION OR INSTALLATION.
10. COORDINATE WITH ELECTRICAL CONTRACTOR AND EQUIPMENT NATIONAL ACCOUNTS ON ALL ELECTRICAL DATA PRIOR TO ORDER.
11. SUPPLY DUCTWORK SHALL BE CONSTRUCTED, FABRICATED AND INSTALLED IN ACCORDANCE WITH SMACNA REQUIREMENTS FOR A 1" POSITIVE PRESSURE CLASSIFICATION.
12. RETURN AND EXHAUST DUCTWORK SHALL BE CONSTRUCTED, FABRICATED AND INSTALLED IN ACCORDANCE WITH SMACNA REQUIREMENTS FOR A 1" NEGATIVE STATIC PRESSURE.
13. ALL EXHAUST FAN DISCHARGES AND PLUMBING VENTS SHALL BE A MINIMUM OF 10" FROM FRESH-AIR INTAKES. COORDINATE WITH PLUMBING PLANS PRIOR TO INSTALLATION.
14. THE MECHANICAL CONTRACTOR SHALL BALANCE ALL SYSTEMS TO WITHIN TEN PERCENT OF DESIGN VALUES SPECIFIED HEREIN.
15. EXTEND CONDENSATE DRAIN LINES FROM RTU'S TO ROOF DRAINS AND/OR DOWNSPOUTS WHICH DRAIN TO STORM SEWER. REFER TO DETAILS ON SHEET M2.
16. HOOD EXHAUST DUCT SHALL BE MINIMUM 16 GAUGE GALVANIZED SHEET STEEL WITH ALL SEAMS WELDED LIQUID-TIGHT. PROVIDE 3M FIREMASTER DUCT WRAP FROM HOOD TO TOP OF ROOF CURB.
17. CONTROLS SHALL BE PER LENNOX NATIONAL ACCOUNTS. COORDINATE WITH LENNOX REPRESENTATIVE ON ALL NECESSARY CONTROLS PRIOR TO BID SUBMISSION.
18. THE HYAC CONTRACTOR SHALL ANTICIPATE AND PROVIDE ALL INCIDENTAL AND PERIPHERAL ITEMS WHICH ARE OBVIOUSLY REQUIRED AND NECESSARY TO COMPLETE THE INSTALLATION REGARDLESS IF THESE ITEMS ARE SPECIFIED AND/OR SHOWN ON THE PLANS.



BUILDING AIR BALANCE SCHEDULE

POSITIVE SOURCES:	NEGATIVE SOURCES:
RTU-1 1900 CFM	EF-2 50 CFM
RTU-2 1950 CFM	(3) EF-3 210 CFM
	FRV-2 1500 CFM
	FRV-3 1500 CFM
	FRV-4 350 CFM
TOTAL: 3850 CFM	TOTAL: 3830 CFM
RESULTING TOTAL AIR BALANCE: 20 CFM POSITIVE	

HYAC LEGEND

- CEILING SUPPLY DIFFUSER
- CEILING RETURN
- CEILING EXHAUST FAN
- SENSOR
- THERMOSTAT
- SMOKE DETECTOR
- VOLUME DAMPER
- NEW RIGID DUCT
- CLASS I FLEXIBLE DUCT

MECHANICAL PLAN
 SCALE: 3/16" = 1'-0"

This item has been electronically signed and sealed by Garland Patterson P.E. on the Date and/or Time Stamp shown by using a digital signature.
 Printed copies of this document are not considered signed and sealed and the signature must be verified on any electronic copies.

OLIVERI ARCHITECTS
 Member of the American Institute of Architects
 32707 US Hwy. 19 Palm Harbor, FL 34654
 Phone 727.781.7520 • Fax 727.781.6923
 www.oliveriarchitects.com

ALL INFORMATION CONTAINED IN THIS DRAWING IS THE SOLE PROPERTY OF OLIVERI ARCHITECTS. NO REUSE, REPRODUCTION, OR DISTRIBUTION IS PERMITTED WITHOUT WRITTEN PERMISSION.

Garland Patterson, P.E.
 License No. 14175
 State of Florida
 Professional Engineer
 AUG. 23, 2021

MDCI FLORIDA, INC.
 Engineering Business No. 5004
 Safety Number: Florida 34655 B
 © Copyright, 2021 • Project No. 2103

Canweb
 New Free Standing
 CR 466A & Penrose Place
 Wildwood, Florida 32163
 Sumter County

Date: 08.23.21
 Scale: AS NOTED
 Project Mgr: DG
 Drawn: BMD BMD
 Job: 21-045
 Sheet
M1

CONTROL NOTES

- RTU-1, RTU-2, & RTU-0A WILL SHUT-DOWN UPON ACTIVATION OF FIRE SUPPRESSION SYSTEM.
- RTU-1, RTU-2, & RTU-0A WILL SHUT-DOWN ON ACTIVATION OF ANY DUCT DETECTOR.
- OCCUPIED MODE: FANS IN RTU-1 & RTU-2, EXHAUST FANS FRV-2, 3, & 4 TO RUN CONTINUOUSLY. RESTROOM EXHAUST TO BE INTERLOCKED WITH RR LIGHTS.
- UNOCCUPIED MODE: FANS IN RTU-1 & RTU-2 TO RUN ONLY WHEN COOLING OR HEATING IS CALLED FOR.
- RTU-0A SHALL BE INTERLOCKED WITH RTU-1 AND RTU-2 VIA LENNOX CONTROLS TO ASSURE SIMULTANEOUS OPERATION. COORDINATE ALL CONTROLS REQUIREMENTS WITH LENNOX PRIOR TO BID SUBMISSION.

LENNOX SETTINGS FOR CULVERS

Kitchen Unit

Parameter 3.01 HEAT DELAY NEEDS TO BE SET TO "DISABLED". CONTROL PARAMETER 3.01-0 Pg. 92 ECONOMIZER DIP SWITCHES A56 (EM1) NEED TO BE SET TO "GLOBAL" MODE. 1-ON 2-OFF (Pg. 5 FIG 8) ECONOMIZER MIN POSITION POTENTIOMETER NEEDS TO BE DETERMINED AND SET BY AIR BALANCER (Pg. 52 FIG 33) BOTH THE THERMOSTAT AND THE HOOD FANS MUST BE TIED INTO TBI TERMINAL 845 FOR OCC/UNOCC CONTROL. FRESH AIR TEMPERING (HEATING) CONTROL PARAMETER 6.20=160 "-55F" (KITCHEN IS USUALLY IN COOLING MODE) (PARAMETER 6.20 Pg. 93 x CHARTS Pg. 103)

Dining Room Unit

PARAMETER 3.01 HEAT DELAY NEEDS TO BE SET TO "DISABLED". CONTROL PARAMETER 3.01-0 Pg. 92 ECONOMIZER DIP SWITCHES A56 (EM1) NEED TO BE SET TO ECONOMIZER TYPE PURCHASED/INSTALLED. 1=1 2=2 (Pg. 5 FIGURE 8) ECONOMIZER MIN POSITION POTENTIOMETER NEEDS TO BE DETERMINED AND SET BY AIR BALANCER (Pg. 52 FIGURE 33) THE THERMOSTAT MUST BE TIED INTO TBI TERMINAL 845 FOR OCC/UNOCC CONTROL. FRESH AIR TEMPERING (HEATING) CONTROL PARAMETER 6.20=142 "60F" (ROOM NEUTRAL) (PARAMETER 6.20 PAGE 93 x CHARTS PAGE 103)

OTHER PARAMETERS THAT WE DIDN'T SET, BUT ARE PART OF START-UP:

- ROOM SET POINT
- REMOTE SENSOR OPERATION
- TEMP DEADBANDS

CHECK FOR CORRECT OPERATION AND WIRING OF ALL SENSORS.

NOTE: VERIFY ALL COLORS WITH OWNER AND ARCHITECT

NATIONAL ACCOUNT PROGRAM

1. LENNOX INDUSTRIES, INC. - ROOFTOP HVAC EQUIPMENT

National Accounts Sales: (800) 367-6285 Option #1 lennoxind.com

National Account Technical Support: (800) 367-6285 Option #2 lennoxind.com

2. ACCRUREX/ GREENHECK FAN CORPORATION - KITCHEN HOODS, EXHAUST FANS, ROOF CURBS, ANSUL SYSTEMS, AND ACCESSORIES

CONTACT Patrick Smith @ 1-612-670-2938 OR patrick.smith@accurex.com

3. CARNES COMPANY - DIFFUSERS AND GRILLES

National Accounts Rep: Brian Baker @ (608) 845-6411 bbaker@carnes.com

National Accounts Sales: Chris Stratton @ (608) 845-6411 cstratton@carnes.com

RTU - 1

LENNOX LCH-156-H4B COMBINATION ELECTRIC HEATING AND ELECTRIC COOLING ROOFTOP UNIT w/HUMIDITROL AND FACTORY UNIT MOUNT ELECTRIC 15.0 KW HEATER. UNIT FED 1000 CFM OF PRE-TREATED OUTSIDE AIR FROM RTU-0A. BALANCE RETURNS PER PLANS. **152,000 NET COOLING CAPACITY**, 12.0 EER. 208 / 230 VOLT, 3 PHASE, 70.0 AMPS & DRIVE KIT 1. UNIT WEIGHT IS 2,130lbs. BLOWER MOTOR SET FOR **NOMINAL 5,200 CFM** & FRESH AIR INTAKE DAMPER SET FOR MINIMUM **900 CFM**. PROVIDE MANUFACTURER'S 18" HIGH ROOF CURB, TWO STAGE CONTROL, DUCT DISCHARGE CONTROL, IN-DUCT SMOKE DETECTORS, BELT TENSIONER WITH SPARE BELT, MERV 4 FILTERS, LOOSE SHIPPED CONDENSATE TRAP AND HONEYWELL OR EQUAL T7350 NIGHT SET BACK THERMOSTAT AND DISCONNECT SWITCH. MOTORIZED OUTSIDE AIR INTAKE DAMPER. NO ECONOMIZER. **NO SUBSTITUTIONS.**

RTU - 2

LENNOX LCH-156-H4B COMBINATION ELECTRIC HEATING AND ELECTRIC COOLING ROOFTOP UNIT w/HUMIDITROL AND FACTORY UNIT MOUNT ELECTRIC 15.0 KW HEATER. UNIT FED 1000 CFM OF PRE-TREATED OUTSIDE AIR FROM RTU-0A. BALANCE RETURNS PER PLANS. **152,000 NET COOLING CAPACITY**, 12.0 EER. 208 / 230 VOLT, 3 PHASE, 90.0 AMPS & DRIVE KIT 1. UNIT WEIGHT IS 2,130lbs. BLOWER MOTOR SET FOR **NOMINAL 5,000 CFM** & FRESH AIR INTAKE DAMPER SET FOR MINIMUM **950 CFM**. PROVIDE MANUFACTURER'S 18" HIGH ROOF CURB, TWO STAGE CONTROL, DUCT DISCHARGE CONTROL, IN-DUCT SMOKE DETECTORS, BELT TENSIONER WITH SPARE BELT, MERV 4 FILTERS, LOOSE SHIPPED CONDENSATE TRAP AND HONEYWELL OR EQUAL T7350 NIGHT SET BACK THERMOSTAT AND DISCONNECT SWITCH. MOTORIZED OUTSIDE AIR INTAKE DAMPER. NO ECONOMIZER. **NO SUBSTITUTIONS.**

RTU - 0A

LENNOX LCH-156-H4B COMBINATION ELECTRIC HEATING AND ELECTRIC COOLING ROOFTOP UNIT w/HUMIDITROL AND FACTORY UNIT MOUNT ELECTRIC 30.0 KW HEATER. UNIT FEEDS 1000 CFM OF PRE-TREATED OUTSIDE TO RTU-1 AND RTU-2. **152,000 NET COOLING CAPACITY**, 12.0 EER. 208 / 230 VOLT, 3 PHASE, 90.0 AMPS & DRIVE KIT 1. UNIT WEIGHT IS 2,130lbs. BLOWER MOTOR SET FOR SUPPLY FAN TOTAL FLOW 3250 CFM. 1250 CFM BALANCE BYPASS TO BLEND WITH 2000 CFM OUTSIDE AIR. 2000 CFM THEN DELIVERED TO RTU'S. **NOMINAL 2,000 CFM** 100% OA UNIT, PROVIDE MANUFACTURER'S 18" HIGH ROOF CURB, RUSKIN MODEL #50-307-52 BYPASS MIXING BOX. PROVIDE MIXING BOX SUPPORT. CONTROL, DUCT DISCHARGE CONTROL, IN-DUCT SMOKE DETECTORS, BELT TENSIONER WITH SPARE BELT, MERV 4 FILTERS, LOOSE SHIPPED CONDENSATE TRAP & HONEYWELL OR EQUAL DISCHARGE TEMP CONTROLLER AND DISCONNECT SWITCH. INTERLOCK WITH RTU-1 AND RTU-2. **NO SUBSTITUTIONS.**

GRV - 1

GREENHECK MODEL FGR GRAVITY RELIEF VENTILATOR WITH INTEGRAL FACTORY BIRDSCREEN. PROVIDE FACTORY CURB, MINIMUM 12" HIGH, 12"x12" THROAT WITH 12x12 PLENUM DUCT DOWN FOR EXHAUST DUCT CONNECTION. **NO SUBSTITUTIONS.**

PRV - 2

(ITEM #49)

ACCRUREX MODEL XRUB-161XP-15 KITCHEN FAN UPBLAST EXHAUST FAN W/CLEAN-OUT PORT, MOUNTED HINGE BASE, & AUTO BELT TENSIONER, SPARE BELT, & ROOF CURB w/VENTED CURB EXTENSION. **1500 CFM AT 2.33" SP, 1.5 HP MOTOR**, 208 VOLTS, THREE PHASE FAN TO RUN CONTINUOUSLY DURING OCCUPIED MODE. **NO SUBSTITUTIONS.**

PRV - 3

(ITEM #59)

ACCRUREX MODEL XRUB-141-7 KITCHEN FAN UPBLAST EXHAUST FAN W/CLEAN-OUT PORT, MOUNTED HINGE BASE, & AUTO BELT TENSIONER, SPARE BELT, & ROOF CURB w/VENTED CURB EXTENSION. **1500 CFM AT 1.00" SP, .75 HP MOTOR**, 208 VOLTS, THREE PHASE FAN TO RUN CONTINUOUSLY DURING OCCUPIED MODE. **NO SUBSTITUTIONS.**

PRV - 4

(ITEM #25)

ACCRUREX MODEL XRED-090-D CONDENSATE DOWNBLAST EXHAUST FAN WITH ROOF CURB AND BACKDRAFT DAMPER. **350 CFM AT .6" SP, .0667 HP MOTOR**, 115 VOLTS, SINGLE PHASE. FAN TO RUN w/STARTING OF DISHWASHER & FOR ONE MINUTE AFTER THE CYCLE IS COMPLETE. **NO SUBSTITUTIONS.**

EF - 1

ACCRUREX MODEL XCR-A200 CEILING EXHAUST FAN, BACK DRAFT DAMPER. EXTEND EXHAUST DUCT TO GRAVITY RELIEF VENTILATOR. **220 CFM AT .125" SP**, 115 VOLT, SINGLE PHASE. FAN TO BE INTERLOCKED WITH RESTROOM LIGHTS. NO SUBSTITUTIONS.

EF - 2

ACCRUREX MODEL XCR-B50 CEILING EXHAUST FAN, BACK DRAFT DAMPER. EXTEND EXHAUST DUCT TO GRAVITY RELIEF VENTILATOR, WALL CAP FOR MOP BASIN FAN. **50 CFM AT .125" SP**, 115 VOLT, SINGLE PHASE. INDEPENDENT SWITCH FOR FAN OVER MOP BASIN. NO SUBSTITUTIONS.

EF - 3

ACCRUREX MODEL XCR-B70 CEILING EXHAUST FAN, BACK DRAFT DAMPER. EXTEND EXHAUST DUCT TO GRAVITY RELIEF VENTILATOR. **70 CFM AT .100" SP**, 115 VOLT, SINGLE PHASE. FAN TO BE INTERLOCKED WITH RESTROOM LIGHTS. NO SUBSTITUTIONS.

EF - 4

ACCRUREX MODEL XRED-065 CENTRIFUGAL EXHAUST FAN WITH ROOF CURB AND BACKDRAFT DAMPER.

ITEM #49 (HOOD 2)

GRIDDLER EXHAUST HOOD - ACCRUREX MODEL XGEP-5.33S 64" X 26" X 36" HIGH, LOW PROXIMITY w/FLUE BYPASS. **1500 CFM AT 1.918" SP, 12" x 12" DUCT COLLAR**. INCLUDES THE 3" INTEGRAL AIR SPACE ON BACK OF HOOD & AN ADDITIONAL 3" REAR FILLER PANEL. STAINLESS STEEL WHERE EXPOSED, w/ **GREASE GRABBER** TWO-STAGE FILTRATION SYSTEM. 26" HIGH ENCLOSURE PANELS, FRONT, LEFT AND RIGHT SIDES. GREASE TROUGH SHALL BE PITCHED TO THE LEFT END OF THE HOOD. APPROVALS SHALL INCLUDE UL LISTING AND THE NSF SEAL. THE VENTILATOR SHALL CONFORM TO THE REQUIREMENTS OF **NFPA-96** & TO ALL PREVAILING LOCAL CODE REQUIREMENTS. **NO SUBSTITUTIONS.**

ITEM #59 (HOOD 1)

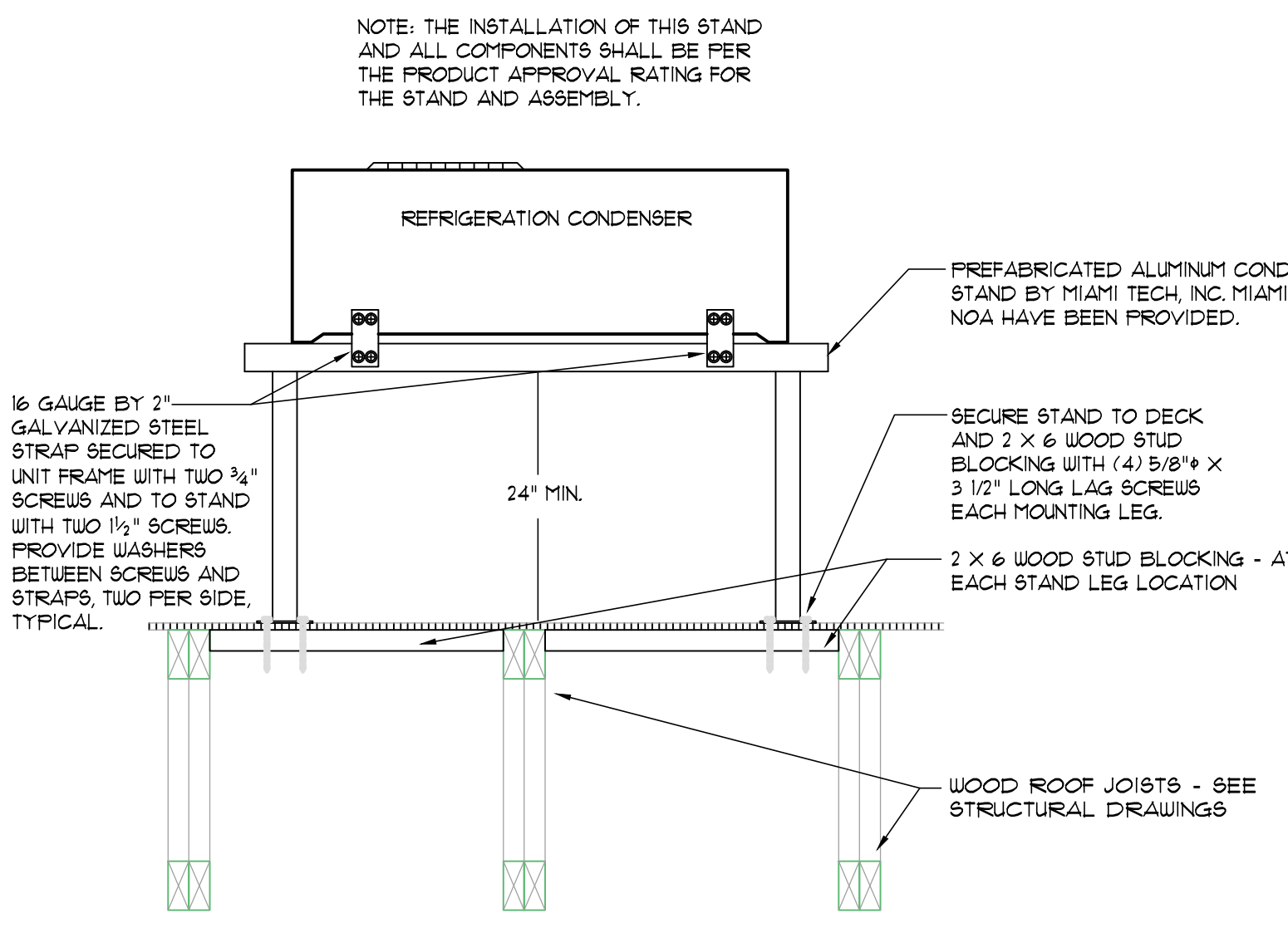
FRYER EXHAUST HOOD - ACCRUREX MODEL XXEP-FB-6.92-S 83" X 26" X 36" HIGH, LOW PROXIMITY w/FLUE BYPASS. **1500 CFM AT .518" SP, 12" x 12" DUCT COLLAR**. INCLUDES THE 3" INTEGRAL AIR SPACE ON BACK OF HOOD & AN ADDITIONAL 3" REAR FILLER PANEL. STAINLESS STEEL WHERE EXPOSED, w/ **X-TRACTOR STAINLESS STEEL FILTERS** TWO-STAGE FILTRATION SYSTEM. 26" HIGH ENCLOSURE PANELS, FRONT, LEFT AND RIGHT SIDES. GREASE TROUGH SHALL BE PITCHED TO THE LEFT END OF THE HOOD. APPROVALS SHALL INCLUDE UL LISTING AND THE NSF SEAL. THE VENTILATOR SHALL CONFORM TO THE REQUIREMENTS OF **NFPA-96** & TO ALL PREVAILING LOCAL CODE REQUIREMENTS. **NO SUBSTITUTIONS.**

ITEM #25A (HOOD 3)

DISHWASHER CONDENSATE HOOD - ACCRUREX MODEL XD3-3.5-S CONDENSATE HOOD w/BAFFLE, 42" X 42" X 24" HIGH, STAINLESS STEEL WHERE EXPOSED. **350 CFM AT .127 SP, 7 X 7 DUCT COLLAR**. COLLAR. APPROVALS SHALL INCLUDE THE NSF SEAL. (UL LABEL NOT REQUIRED FOR NON-GREASE APPLICATION). THE VENTILATOR SHALL CONFORM TO THE REQUIREMENTS OF **NFPA-96** & TO ALL PREVAILING LOCAL CODE REQUIREMENTS. **NO SUBSTITUTIONS.**

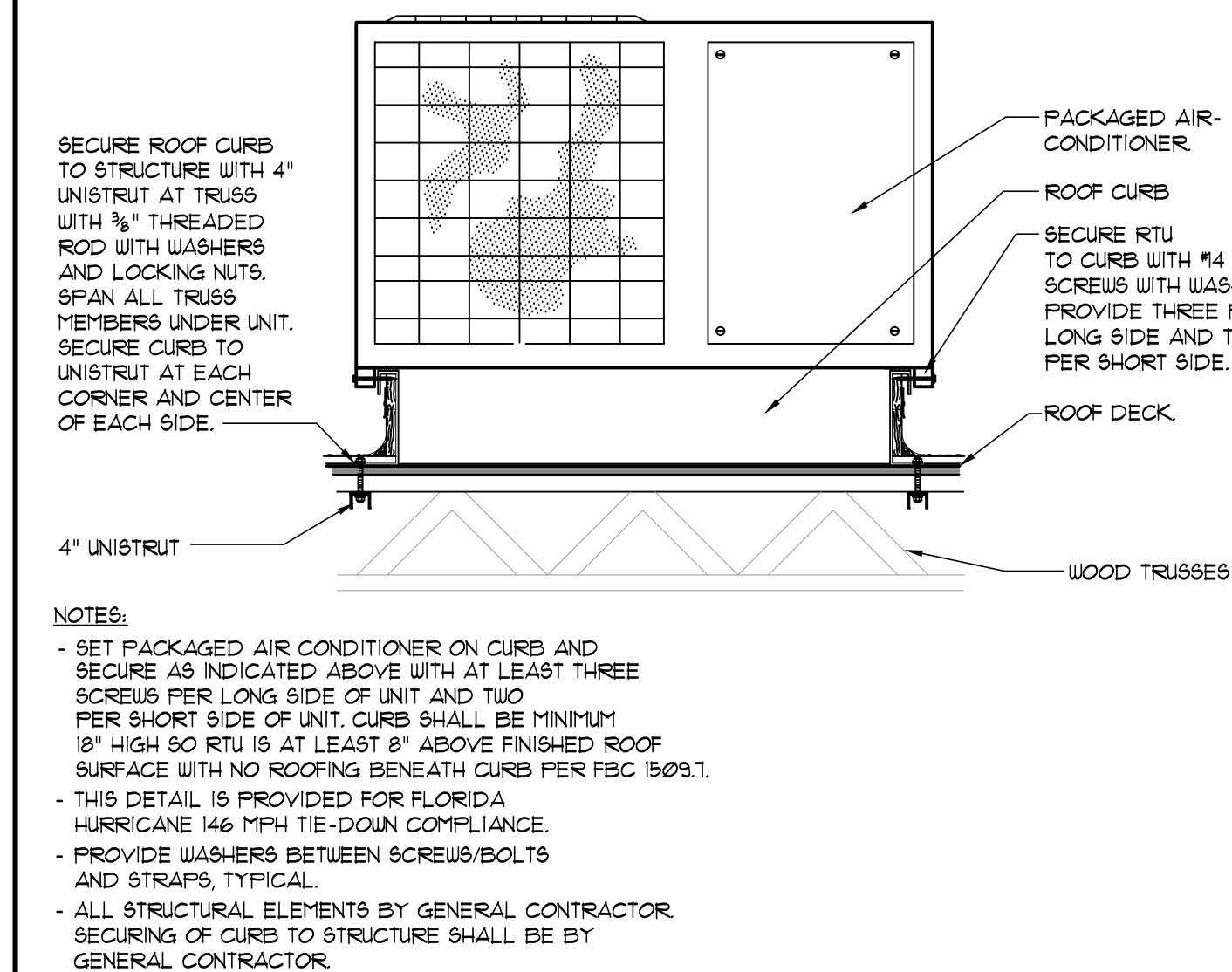
MECHANICAL EQUIPMENT SPECIFICATIONS

SCALE: NONE



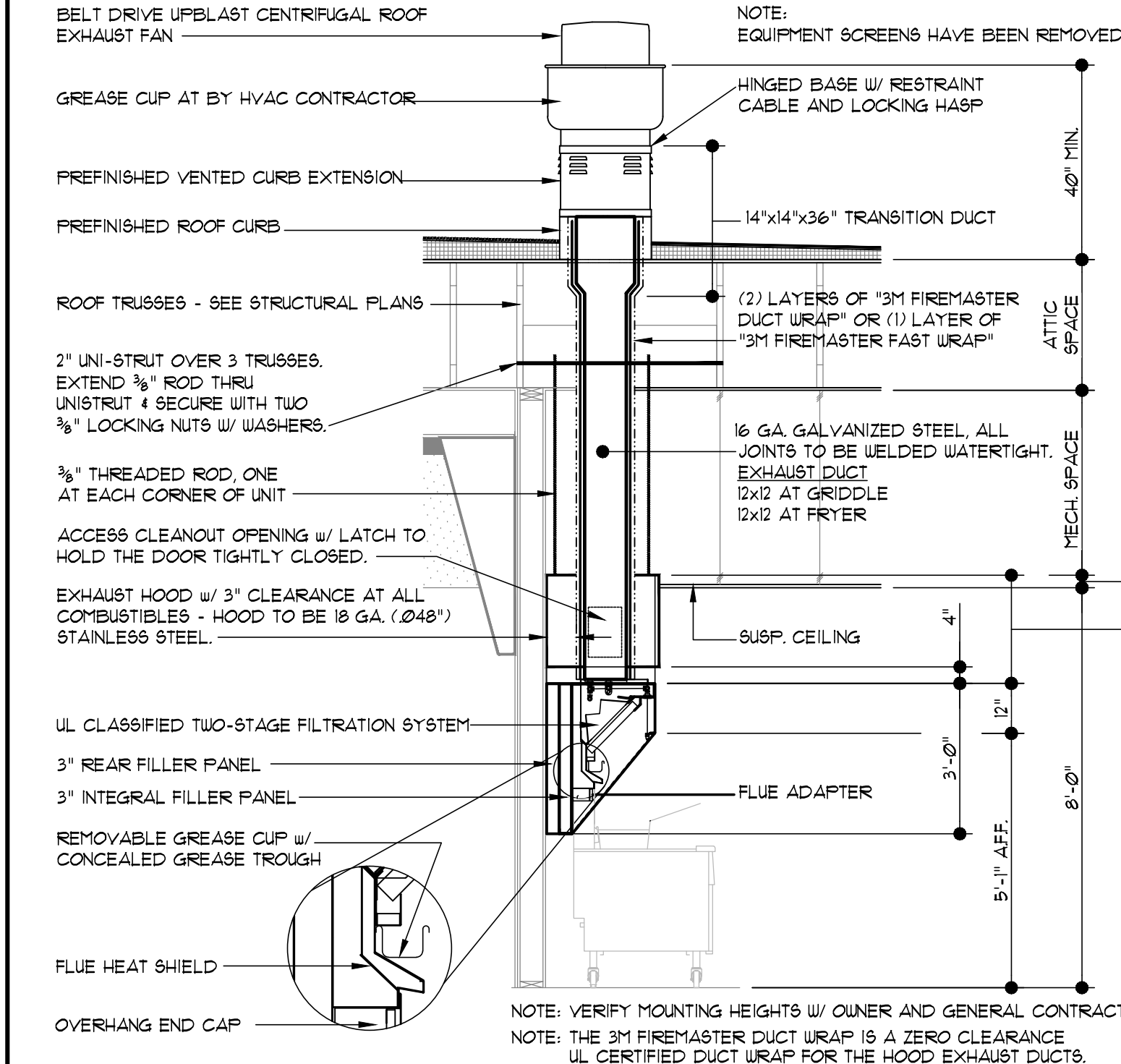
REFRIGERATION CONDENSER TIE-DOWN DETAIL

SCALE: NONE



RTU TIE-DOWN DETAIL

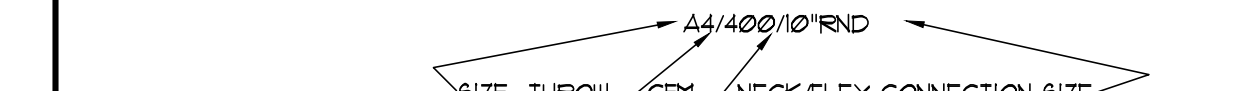
SCALE: NONE



KITCHEN HOOD DETAIL

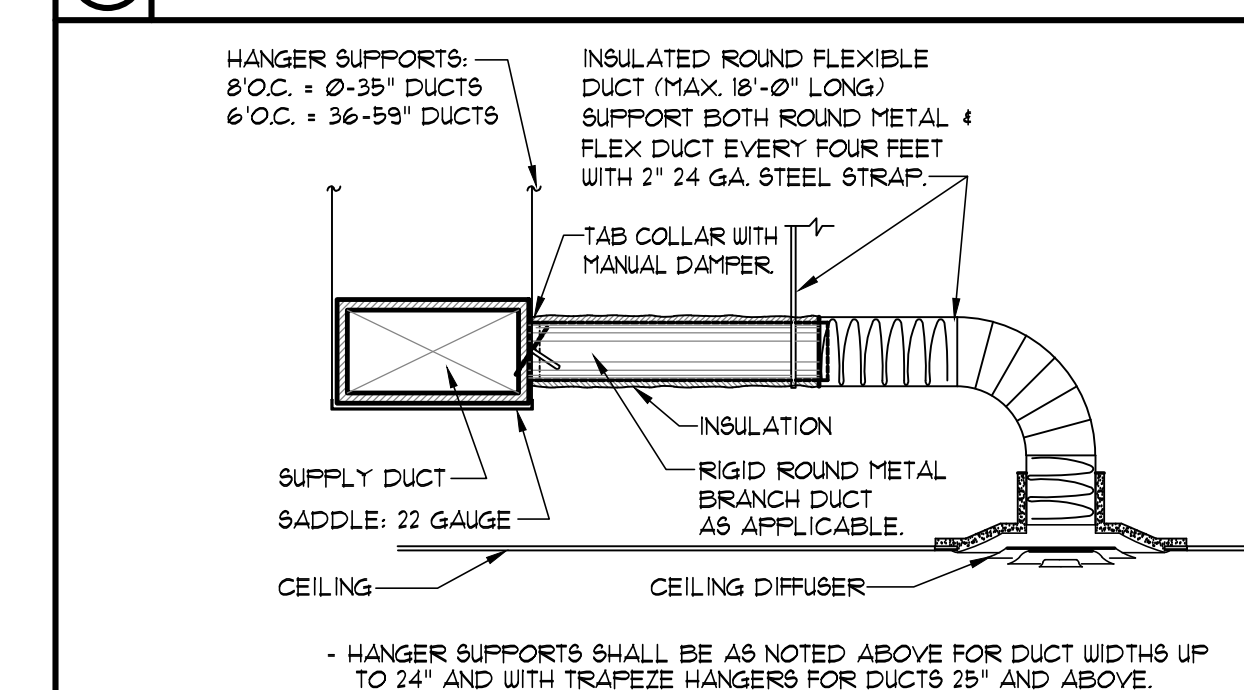
SCALE: NONE

MARK	MANUFACTURER	MODEL NUMBER	SIZE	CFM	NECK	LOCATION	MATERIAL	NOTES:
A	FRICE	ASCD	24 X 24	SEE PLAN	SEE PLAN	CEILING	ALUMINUM	12
B	CARNES	RAFFP	24 X 24	SEE PLAN	24 X 24	CEILING	ALUMINUM	12, 8, 8
C	FRICE	ACVD	10 X 6	SEE PLAN	10 X 6	CEILING	ALUMINUM	12, 4, 5, 1
D	FRICE	ACVD	12 X 8	SEE PLAN	12 X 8	CEILING	ALUMINUM	12, 4, 5
E	FRICE	670	12 X 8	SEE PLAN	12 X 8	CEILING	ALUMINUM	12, 4, 6
F	CARNES	8FEB	24 X 24	SEE PLAN	PER PLAN	CEILING	STEEL	12, 10
G	FRICE	630	12 X 12	SEE PLAN	12 X 12	CEILING	ALUMINUM	12



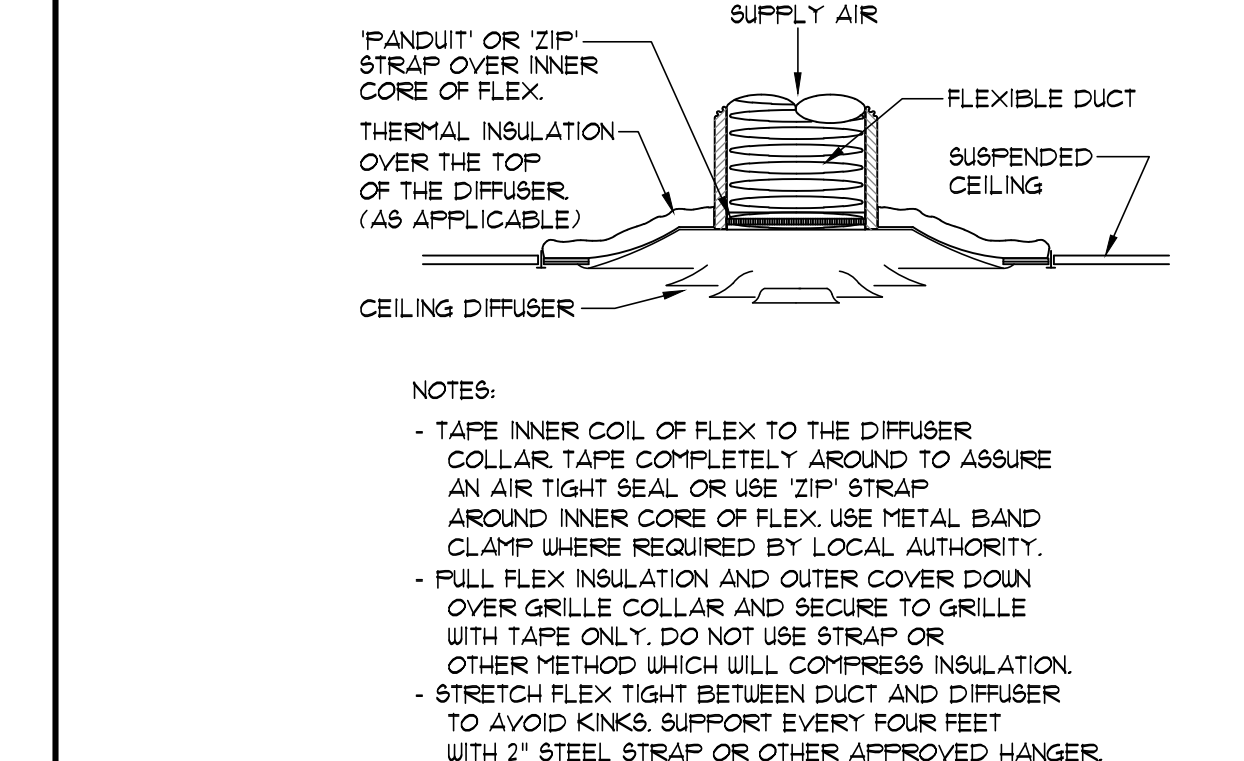
- NOTES:
- PROVIDE MANUAL VOLUME DAMPER AT MAIN TRUNK FOR BALANCING.
 - GRILLE FACE FINISH SHALL BE OFF-WHITE.
 - GRILLE FACE SHALL BE FIXED BLADE ON 1/2" SPACINGS WITH FILTER BACK.
 - PROVIDE PRE-FAB R-6 INSULATED GRILLE BOX WITH TAB COLLAR.
 - GRILLE FACE SHALL BE ADJUSTABLE CURVED BLADE. NO STAMPED GRILLES ACCEPTED.
 - GRILLE FACE SHALL BE DOUBLE DEFLECTION TYPE. NO STAMPED GRILLES ACCEPTED.
 - PROVIDE SURFACE MOUNT FRAME AND INSTALL IN GYP CEILING.
 - FLAT BLACK FINISH.
 - GRILLE FACE SHALL BE 1/2" x 1/2" ALUMINUM GIBE CORE.
 - GRILLE SHALL BE PERFORATED FACE LAY-IN TYPE, NON-DIRECTIONAL.

AIR DISTRIBUTION SCHEDULE



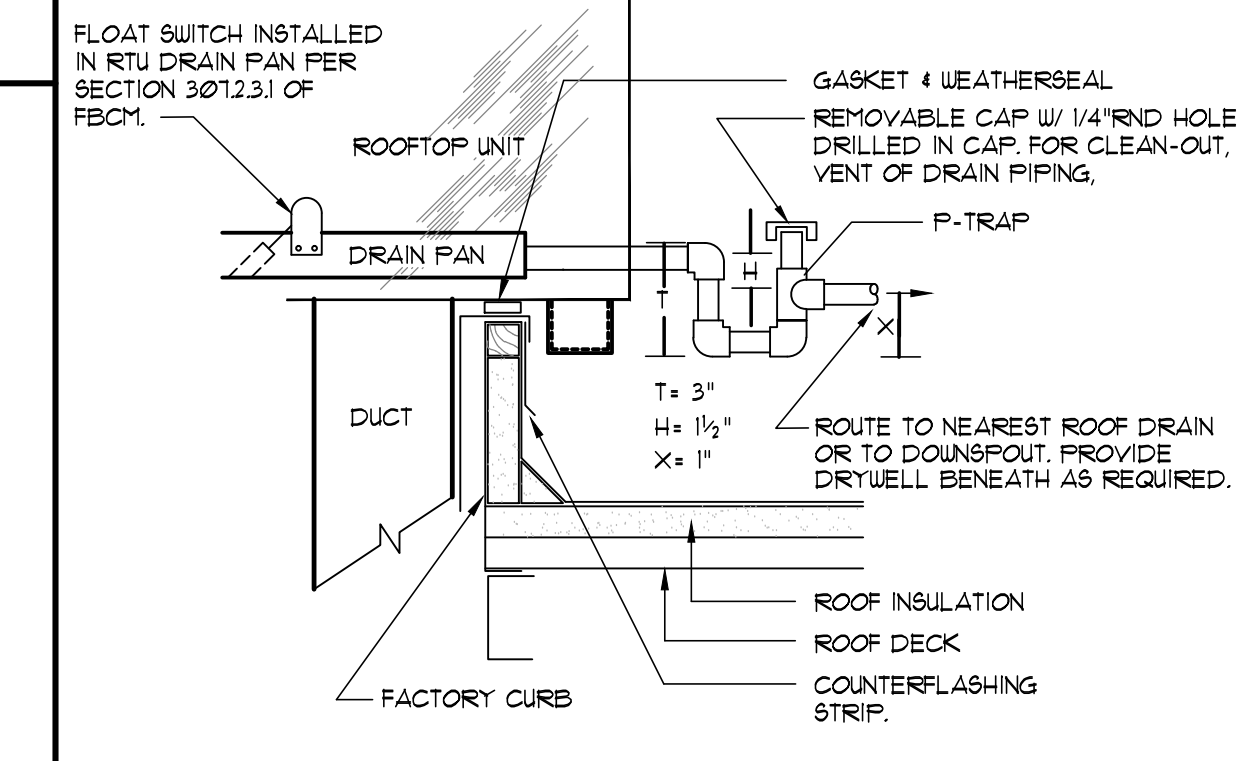
CEILING DIFFUSER RUN-OUT DETAIL

SCALE: NONE



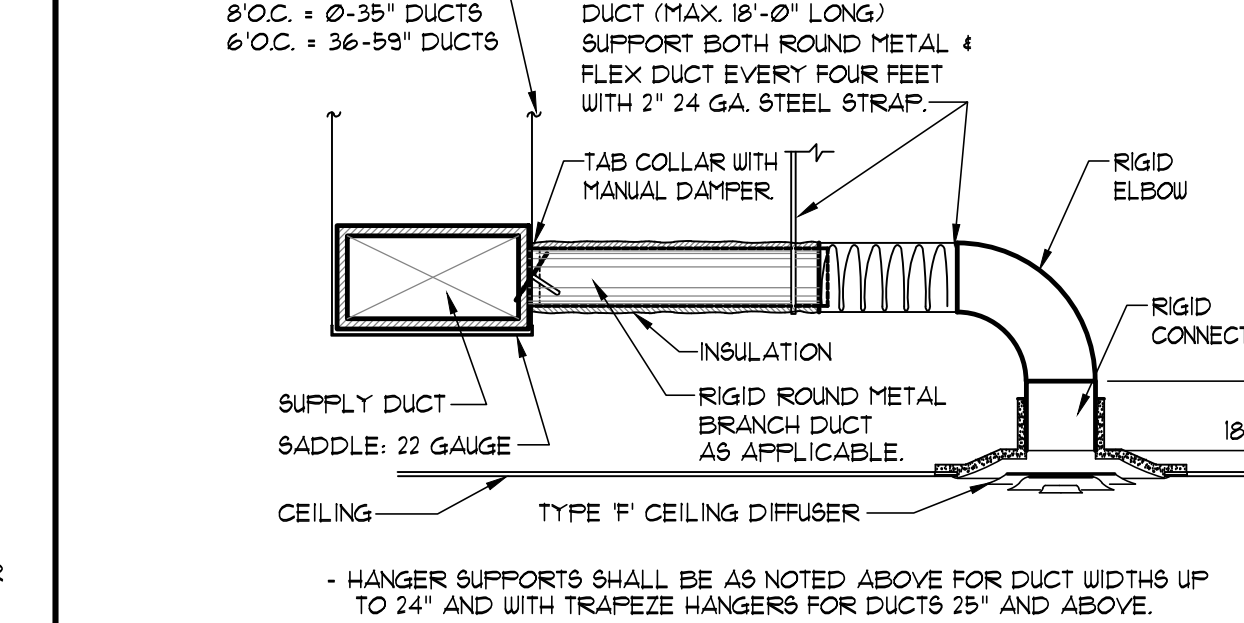
CEILING DIFFUSER DETAIL

SCALE: NONE



RTU CONDENSATE DETAIL

SCALE: NONE



TYPE 'F' CEILING DIFFUSER RUN-OUT DETAIL

SCALE: NONE

REVISIONS	BY

OLIVER ARCHITECTS
 1100 N. W. 10th St.
 Suite 100
 Ft. Lauderdale, FL 33304
 Phone: 754.781.7825 • Fax: 754.781.6623
 www.oliverarchitects.com

ALL INFORMATION CONTAINED
 HEREIN IS THE PROPERTY OF
 OLIVER ARCHITECTS. IT IS
 TO BE KEPT CONFIDENTIAL
 AND NOT REPRODUCED
 WITHOUT WRITTEN
 PERMISSION.

GARLAND PATTERSON, P.E.
 FL Lic. No. 14175
 AUG. 23, 2021

MDCI FLORIDA, INC.
 4000 N.W. 10th St., Suite 100
 Ft. Lauderdale, Florida 33309
 Safety Address: Florida 33309
 Engineering Business No. 9704
 Safety Address: Florida 33309
 © Copyright, 2021 • Project No. 21005

New Free Standing
Cantrab
 CR 466A & Penrose Place
 Wildwood, Florida 32163
 Sumter County

Date: 08. 23. 21
 Scale: AS NOTED
 Project Mgr: DG
 Drawn: BMD BMD
 Job: 21-045
 Sheet

M2

REVISIONS	BY

OLIVERI ARCHITECTS
 A 30092921
 Member of the American Institute of Architects
 32727 US Hwy. 19 • Palm Harbor, FL 34684
 Phone 727.781.7325 • Fax 727.781.6623
 www.oliveriarchitects.com

PROFESSIONAL ENGINEER
 GARLAND PATTERSON, P.E.
 FL Lic. No. 14175
 AUG. 23, 2021

MDCI FLORIDA, INC.
 4250 Safety Harbor, Florida 34689
 An Engineering Business No. 92024
 in the State of Florida
 © Copyright 2021 • Project No. 21029

NEW Free Standing

CR 466A & Penrose Place
Wildwood, Florida 32163
Sumter County

Date:	08.23.21
Scale:	AS NOTED
Project Mgr:	DG
Drawn:	BMD
Job:	21-045
Sheet	M3

M3

EQUIPMENT SCHEDULE										EQUIPMENT SCHEDULE									
TYPE 2 KITCHEN HOOD (HOOD #3)					MARK: ITEM # 25					TYPE 1 KITCHEN HOOD (HOOD #2)					MARK: GRILL HOOD				
HOOD NO.	ACCUREX MODEL STYLE / CONFIGURATION	SECTION LENGTH	WIDTH	HEIGHT	GREASE CUP OR DRAIN	HOOD TEMP. RATING	TOTAL WEIGHT	SECTION LOCATION	HOOD NO.	ACCUREX MODEL STYLE / CONFIGURATION	SECTION LENGTH	WIDTH	HEIGHT	GREASE CUP OR DRAIN	HOOD TEMP. RATING	TOTAL WEIGHT	SECTION LOCATION		
1	XD3-3-S CONDENSATE HOOD - DOUBLE BAFFLE	42.0 IN.	42 IN.	24 IN.	RIGHT	NA	224.0 LBS.	NA	1	XGEP-5-33-S SINGLE WALL EXHAUST ONLY LOW PROXIMITY	64 IN.	TOP 23 IN. FRONT 12 IN. BOT 6 IN. BACK 36 IN.	RIGHT	600 DEG F	136.0 LBS.	SINGLE			

HOOD SECTION # COLLAR #										EXHAUST PLENUM COLLARS									
DISTANCE TO END (IN.)		WIDTH (IN.)	LENGTH (IN.)	DIAMETER (IN.)	VOLUME (CFM)	S.P. (IN. WC)	VELOCITY (FT/MIN)	HOOD SECTION # COLLAR #		DISTANCE TO END (IN.)		WIDTH (IN.)	LENGTH (IN.)	DIAMETER (IN.)	VOLUME (CFM)	S.P. (IN. WC)	VELOCITY (FT/MIN)		
1 / 1		21	7	7	NA	350	0.127	1029	1 / 1		32	12	12	NA	1500	1.918	1500		
TOTAL EXHAUST CFM - SECTION 1										TOTAL EXHAUST CFM - SECTION 1									
350.0 = 100.0 CFM / FT										1500 = 281 CFM / FT									

300 SERIES STAINLESS STEEL 100% CONSTRUCTION
FACTORY MOUNTED EXHAUST COLLAR(S)

HOOD SECTION # COLLAR #										EXHAUST PLENUM COLLARS									
DISTANCE TO END (IN.)		WIDTH (IN.)	LENGTH (IN.)	DIAMETER (IN.)	VOLUME (CFM)	S.P. (IN. WC)	VELOCITY (FT/MIN)	HOOD SECTION # COLLAR #		DISTANCE TO END (IN.)		WIDTH (IN.)	LENGTH (IN.)	DIAMETER (IN.)	VOLUME (CFM)	S.P. (IN. WC)	VELOCITY (FT/MIN)		
1 / 1		32	12	12	NA	1500	1.918	1500	1 / 1		32	12	12	NA	1500	1.918	1500		
TOTAL EXHAUST CFM - SECTION 1										TOTAL EXHAUST CFM - SECTION 1									
1500 = 281 CFM / FT										1500 = 281 CFM / FT									

430 STAINLESS STEEL WHERE EXPOSED
UL 710 LISTED W/OUT EXHAUST FIRE DAMPER - UL #R25625
BACK NON-INTEGRAL AIR SPACE - 3 IN WIDE
26 IN HIGH CEILING ENCLOSURES - FRONT LEFT RIGHT - FIELD INSTALLED
FACTORY MOUNTED EXHAUST COLLAR(S)
THIS HOOD IS PART OF A TEMPERATURE INTERLOCK CONTROL SYSTEM
INCLUDES PERFORMANCE ENHANCING LIP (PEL) TECHNOLOGY
STANDING SEAM CONSTRUCTION FOR SUPERIOR STRENGTH
EMBOSSED STAINLESS STEEL FINISH FOR HIGH CORROSION RESISTANCE

SDR #K1100145 - FLUE BYPASS HOOD				
MANUFACTURER / MODEL	FLOW POINTS	SUPPLY LINE	DETECTION	MOUNTING
ANSUL R-102 WET CHEMICAL	6 UTILIZED 11 AVAILABLE	CONTINUOUS	FUSIBLE LINK	RIGHT END REMOTE MOUNTED

FULL INSTALLATION (INCLUDES PRE-PIPED HOOD(S) WITH DETECTION AND FACTORY COORDINATED INSTALL)
CHROME SLEEVES FOR FACTORY PROVIDED APPLIANCES DROPS - INCLUDED
SUPPRESSION AGENT - INCLUDED - 3 GAL. - (1) 3 TANK(S)
GAS VALVE - INCLUDED - MECHANICAL SHUTOFF VALVE, 2 IN. (ANSUL) - PART# 55610
REMOTE PULL STATION - STANDARD - INSTALLATION AT SINGLE POINT OF EGRESS
FIRE SYSTEM PERMIT - REQUIRED - FEE INCLUDED

FIRE SYSTEM PROTECTED HOOD(S) (UL-300) (MARK NAME / SECTION#)				
GRILL HOOD SECTION 1 - (LENGTH 64.0 IN.) - LOW PROXIMITY HOOD - GREASE GRABBER FILTRATION SYSTEM				

TYPE 1 KITCHEN HOOD (HOOD #1)										MARK: FRYER HOOD									
HOOD NO.	ACCUREX MODEL STYLE / CONFIGURATION	SECTION LENGTH	WIDTH	HEIGHT	GREASE CUP OR DRAIN	HOOD TEMP. RATING	TOTAL WEIGHT	SECTION LOCATION	HOOD NO.	ACCUREX MODEL STYLE / CONFIGURATION	SECTION LENGTH	WIDTH	HEIGHT	GREASE CUP OR DRAIN	HOOD TEMP. RATING	TOTAL WEIGHT	SECTION LOCATION		
1	XGEP-6-92-S SINGLE WALL EXHAUST ONLY LOW PROXIMITY	83 IN.	TOP 23 IN. FRONT 12 IN. BOT 3 IN. BACK 36 IN.	RIGHT	600 DEG F	169.0 LBS.	SINGLE												

HOOD SECTION # COLLAR #										EXHAUST PLENUM COLLARS									
DISTANCE TO END (IN.)		WIDTH (IN.)	LENGTH (IN.)	DIAMETER (IN.)	VOLUME (CFM)	S.P. (IN. WC)	VELOCITY (FT/MIN)	HOOD SECTION # COLLAR #		DISTANCE TO END (IN.)		WIDTH (IN.)	LENGTH (IN.)	DIAMETER (IN.)	VOLUME (CFM)	S.P. (IN. WC)	VELOCITY (FT/MIN)		
1 / 1		41.5	12	12	NA	1500	0.518	1500	1 / 1		41.5	12	12	NA	1500	0.518	1500		
TOTAL EXHAUST CFM - SECTION 1										TOTAL EXHAUST CFM - SECTION 1									
1500 = 217 CFM / FT										1500 = 217 CFM / FT									

430 STAINLESS STEEL WHERE EXPOSED
UL 710 LISTED W/OUT EXHAUST FIRE DAMPER - UL #R25625
BACK NON-INTEGRAL AIR SPACE - 3 IN WIDE
26 IN HIGH CEILING ENCLOSURES - FRONT LEFT RIGHT - FIELD INSTALLED
FACTORY MOUNTED EXHAUST COLLAR(S)
THIS HOOD IS PART OF A TEMPERATURE INTERLOCK CONTROL SYSTEM
INCLUDES PERFORMANCE ENHANCING LIP (PEL) TECHNOLOGY
STANDING SEAM CONSTRUCTION FOR SUPERIOR STRENGTH
EMBOSSED STAINLESS STEEL FINISH FOR HIGH CORROSION RESISTANCE

SDR #K1100559 - NEW PITCO 4L FRYER FLUE BYPASS SYSTEM				
MANUFACTURER / MODEL	FLOW POINTS	SUPPLY LINE	DETECTION	MOUNTING
ANSUL R-102 WET CHEMICAL	14 UTILIZED 16 AVAILABLE	CONTINUOUS	FUSIBLE LINK	RIGHT END REMOTE MOUNTED

FULL INSTALLATION (INCLUDES PRE-PIPED HOOD(S) WITH DETECTION AND FACTORY COORDINATED INSTALL)
CHROME SLEEVES FOR FACTORY PROVIDED APPLIANCES DROPS - INCLUDED
SUPPRESSION AGENT - INCLUDED - 3 GAL. - (1) 3 TANK(S) (1) 1.5 TANK(S)
GAS VALVE - INCLUDED - MECHANICAL SHUTOFF VALVE, 2 IN. (ANSUL) - PART# 55610
REMOTE PULL STATION - STANDARD - INSTALLATION AT SINGLE POINT OF EGRESS
FIRE SYSTEM PERMIT - REQUIRED - FEE INCLUDED

FIRE SYSTEM PROTECTED HOOD(S) (UL-300) (MARK NAME / SECTION#)				
FRYER HOOD SECTION 1 - (LENGTH 83.0 IN.) - LOW PROXIMITY HOOD				

TYPE 1 KITCHEN HOOD (HOOD #1)										MARK: FRYER HOOD									
HOOD NO.	ACCUREX MODEL STYLE / CONFIGURATION	SECTION LENGTH	WIDTH	HEIGHT	GREASE CUP OR DRAIN	HOOD TEMP. RATING	TOTAL WEIGHT	SECTION LOCATION	HOOD NO.	ACCUREX MODEL STYLE / CONFIGURATION	SECTION LENGTH	WIDTH	HEIGHT	GREASE CUP OR DRAIN	HOOD TEMP. RATING	TOTAL WEIGHT	SECTION LOCATION		
1	XGEP-6-92-S SINGLE WALL EXHAUST ONLY LOW PROXIMITY	83 IN.	TOP 23 IN. FRONT 12 IN. BOT 3 IN. BACK 36 IN.	RIGHT	600 DEG F	169.0 LBS.	SINGLE												

HOOD SECTION # COLLAR #										EXHAUST PLENUM COLLARS									
DISTANCE TO END (IN.)		WIDTH (IN.)	LENGTH (IN.)	DIAMETER (IN.)	VOLUME (CFM)	S.P. (IN. WC)	VELOCITY (FT/MIN)	HOOD SECTION # COLLAR #		DISTANCE TO END (IN.)		WIDTH (IN.)	LENGTH (IN.)	DIAMETER (IN.)	VOLUME (CFM)	S.P. (IN. WC)	VELOCITY (FT/MIN)		
1 / 1		41.5	12	12	NA	1500	0.518	1500	1 / 1		41.5	12	12	NA	1500	0.518	1500		
TOTAL EXHAUST CFM - SECTION 1										TOTAL EXHAUST CFM - SECTION 1									
1500 = 217 CFM / FT										1500 = 217 CFM / FT									

430 STAINLESS STEEL WHERE EXPOSED
UL 710 LISTED W/OUT EXHAUST FIRE DAMPER - UL #R25625
BACK NON-INTEGRAL AIR SPACE - 3 IN WIDE
26 IN HIGH CEILING ENCLOSURES - FRONT LEFT RIGHT - FIELD INSTALLED
FACTORY MOUNTED EXHAUST COLLAR(S)
THIS HOOD IS PART OF A TEMPERATURE INTERLOCK CONTROL SYSTEM
INCLUDES PERFORMANCE ENHANCING LIP (PEL) TECHNOLOGY
STANDING SEAM CONSTRUCTION FOR SUPERIOR STRENGTH
EMBOSSED STAINLESS STEEL FINISH FOR HIGH CORROSION RESISTANCE

SDR #K1100559 - NEW PITCO 4L FRYER FLUE BYPASS SYSTEM				
MANUFACTURER / MODEL	FLOW POINTS	SUPPLY LINE	DETECTION	MOUNTING
ANSUL R-102 WET CHEMICAL	14 UTILIZED 16 AVAILABLE	CONTINUOUS	FUSIBLE LINK	RIGHT END REMOTE MOUNTED

FULL INSTALLATION (INCLUDES PRE-PIPED HOOD(S) WITH DETECTION AND FACTORY COORDINATED INSTALL)
CHROME SLEEVES FOR FACTORY PROVIDED APPLIANCES DROPS - INCLUDED
SUPPRESSION AGENT - INCLUDED - 3 GAL. - (1) 3 TANK(S) (1) 1.5 TANK(S)
GAS VALVE - INCLUDED - MECHANICAL SHUTOFF VALVE, 2 IN. (ANSUL) - PART# 55610
REMOTE PULL STATION - STANDARD - INSTALLATION AT SINGLE POINT OF EGRESS
FIRE SYSTEM PERMIT - REQUIRED - FEE INCLUDED

FIRE SYSTEM PROTECTED HOOD(S) (UL-300) (MARK NAME / SECTION#)				
FRYER HOOD SECTION 1 - (LENGTH 83.0 IN.) - LOW PROXIMITY HOOD				

TYPE 1 KITCHEN HOOD (HOOD #1)										MARK: FRYER HOOD									
HOOD NO.	ACCUREX MODEL STYLE / CONFIGURATION	SECTION LENGTH	WIDTH	HEIGHT	GREASE CUP OR DRAIN	HOOD TEMP. RATING	TOTAL WEIGHT	SECTION LOCATION	HOOD NO.	ACCUREX MODEL STYLE / CONFIGURATION	SECTION LENGTH	WIDTH	HEIGHT	GREASE CUP OR DRAIN	HOOD TEMP. RATING	TOTAL WEIGHT	SECTION LOCATION		
1	XGEP-6-92-S SINGLE WALL EXHAUST ONLY LOW PROXIMITY	83 IN.	TOP 23 IN. FRONT 12 IN. BOT 3 IN. BACK 36 IN.	RIGHT	600 DEG F	169.0 LBS.	SINGLE												

HOOD SECTION # COLLAR #										EXHAUST PLENUM COLLARS									
DISTANCE TO END (IN.)		WIDTH (IN.)	LENGTH (IN.)	DIAMETER (IN.)	VOLUME (CFM)	S.P. (IN. WC)	VELOCITY (FT/MIN)	HOOD SECTION # COLLAR #		DISTANCE TO END (IN.)		WIDTH (IN.)	LENGTH (IN.)	DIAMETER (IN.)	VOLUME (CFM)	S.P. (IN. WC)	VELOCITY (FT/MIN)		
1 / 1		41.5	12	12	NA	1500	0.518	1500	1 / 1		41.5	12	12	NA	1500	0.518	1500		
TOTAL EXHAUST CFM - SECTION 1										TOTAL EXHAUST CFM - SECTION 1									
1500 = 217 CFM / FT										1500 = 217 CFM / FT									

430 STAINLESS STEEL WHERE EXPOSED
UL 710 LISTED W/OUT EXHAUST FIRE DAMPER - UL #R25625
BACK NON-INTEGRAL AIR SPACE - 3 IN WIDE
26 IN HIGH CEILING ENCLOSURES - FRONT LEFT RIGHT - FIELD INSTALLED
FACTORY MOUNTED EXHAUST COLLAR(S)
THIS HOOD IS PART OF A TEMPERATURE INTERLOCK CONTROL SYSTEM
INCLUDES PERFORMANCE ENHANCING LIP (PEL) TECHNOLOGY
STANDING SEAM CONSTRUCTION FOR SUPERIOR STRENGTH
EMBOSSED STAINLESS STEEL FINISH FOR HIGH CORROSION RESISTANCE

SDR #K1100559 - NEW PITCO 4L FRYER FLUE BYPASS SYSTEM				
MANUFACTURER / MODEL	FLOW POINTS	SUPPLY LINE	DETECTION	MOUNTING
ANSUL R-102 WET CHEMICAL	14 UTILIZED 16 AVAILABLE	CONTINUOUS	FUSIBLE LINK	RIGHT END REMOTE MOUNTED

FULL INSTALLATION (INCLUDES PRE-PIPED HOOD(S) WITH DETECTION AND FACTORY COORDINATED INSTALL)
CHROME SLEEVES FOR FACTORY PROVIDED APPLIANCES DROPS - INCLUDED
SUPPRESSION AGENT - INCLUDED - 3 GAL. - (1) 3 TANK(S) (1) 1.5 TANK(S)
GAS VALVE - INCLUDED - MECHANICAL SHUTOFF VALVE, 2 IN. (ANSUL) - PART# 55610
REMOTE PULL STATION - STANDARD - INSTALLATION AT SINGLE POINT OF EGRESS
FIRE SYSTEM PERMIT - REQUIRED - FEE INCLUDED

FIRE SYSTEM PROTECTED HOOD(S) (UL-300) (MARK NAME / SECTION#)				
FRYER HOOD SECTION 1 - (LENGTH 83.0 IN.) - LOW PROXIMITY HOOD				

TYPE 1 KITCHEN HOOD (HOOD #1)										MARK: FRYER HOOD									
HOOD NO.	ACCUREX MODEL STYLE / CONFIGURATION	SECTION LENGTH	WIDTH	HEIGHT	GREASE CUP OR DRAIN	HOOD TEMP. RATING	TOTAL WEIGHT	SECTION LOCATION	HOOD NO.	ACCUREX MODEL STYLE / CONFIGURATION	SECTION LENGTH	WIDTH	HEIGHT	GREASE CUP OR DRAIN	HOOD TEMP. RATING	TOTAL WEIGHT	SECTION LOCATION		
1	XGEP-6-92-S SINGLE WALL EXHAUST ONLY LOW PROXIMITY	83 IN.	TOP 23 IN. FRONT 12 IN. BOT 3 IN. BACK 36 IN.	RIGHT	600 DEG F	169.0 LBS.	SINGLE												

HOOD SECTION # COLLAR #										EXHAUST PLENUM COLLARS									
DISTANCE TO END (IN.)		WIDTH (IN.)	LENGTH (IN.)	DIAMETER (IN.)	VOLUME (CFM)	S.P. (IN. WC)	VELOCITY (FT/MIN)	HOOD SECTION # COLLAR #		DISTANCE TO END (IN.)		WIDTH (IN.)	LENGTH (IN.)	DIAMETER (IN.)	VOLUME (CFM)	S.P. (IN. WC)	VELOCITY (FT/MIN)		
1 / 1		41.5	12	12	NA	1500	0.518	1500	1 / 1		41.5	12	12	NA	1500	0.518	1500		
TOTAL EXHAUST CFM - SECTION 1										TOTAL EXHAUST CFM - SECTION 1									
1500 = 217 CFM / FT										1500 = 217 CFM / FT									

430 STAINLESS STEEL WHERE EXPOSED
UL 710 LISTED W/OUT EXHAUST FIRE DAMPER - UL #R25625
BACK NON-INTEGRAL AIR SPACE - 3 IN WIDE
26 IN HIGH CEILING ENCLOSURES - FRONT LEFT RIGHT - FIELD INSTALLED
FACTORY MOUNTED EXHAUST COLLAR(S)
THIS HOOD IS PART OF A TEMPERATURE INTERLOCK CONTROL SYSTEM
INCLUDES PERFORMANCE ENHANCING LIP (PEL) TECHNOLOGY
STANDING SEAM CONSTRUCTION FOR SUPERIOR STRENGTH
EMBOSSED STAINLESS STEEL FINISH FOR HIGH CORROSION RESISTANCE

SDR #K1100559 - NEW PITCO 4L FRYER FLUE BYPASS SYSTEM				
MANUFACTURER / MODEL	FLOW POINTS	SUPPLY LINE	DETECTION	MOUNTING
ANSUL R-102 WET CHEMICAL	14 UTILIZED 16 AVAILABLE	CONTINUOUS	FUSIBLE LINK	RIGHT END REMOTE MOUNTED

FULL INSTALLATION (INCLUDES PRE-PIPED HOOD(S) WITH DETECTION AND FACTORY COORDINATED INSTALL)
CHROME SLEEVES FOR FACTORY PROVIDED APPLIANCES DROPS - INCLUDED
SUPPRESSION AGENT - INCLUDED - 3 GAL. - (1) 3 TANK(S) (1) 1.5 TANK(S)
GAS VALVE - INCLUDED - MECHANICAL SHUTOFF VALVE, 2 IN. (ANSUL) - PART# 55610
REMOTE PULL STATION - STANDARD - INSTALLATION AT SINGLE POINT OF EGRESS
FIRE SYSTEM PERMIT - REQUIRED - FEE INCLUDED

FIRE SYSTEM PROTECTED HOOD(S) (UL-300) (MARK NAME / SECTION#)				
FRYER HOOD SECTION 1 - (LENGTH 83.0 IN.) - LOW PROXIMITY HOOD				

TYPE 1 KITCHEN HOOD (HOOD #1)										MARK: FRYER HOOD									
HOOD NO.	ACCUREX MODEL STYLE / CONFIGURATION	SECTION LENGTH	WIDTH	HEIGHT	GREASE CUP OR DRAIN	HOOD TEMP. RATING	TOTAL WEIGHT	SECTION LOCATION	HOOD NO.	ACCUREX MODEL STYLE / CONFIGURATION	SECTION LENGTH	WIDTH	HEIGHT	GREASE CUP OR DRAIN	HOOD TEMP. RATING	TOTAL WEIGHT	SECTION LOCATION		
1	XGEP-6-92-S SINGLE WALL EXHAUST ONLY LOW PROXIMITY	83 IN.	TOP 23 IN. FRONT 12 IN. BOT 3 IN. BACK 36 IN.	RIGHT	600 DEG F	169.0 LBS.	SINGLE												

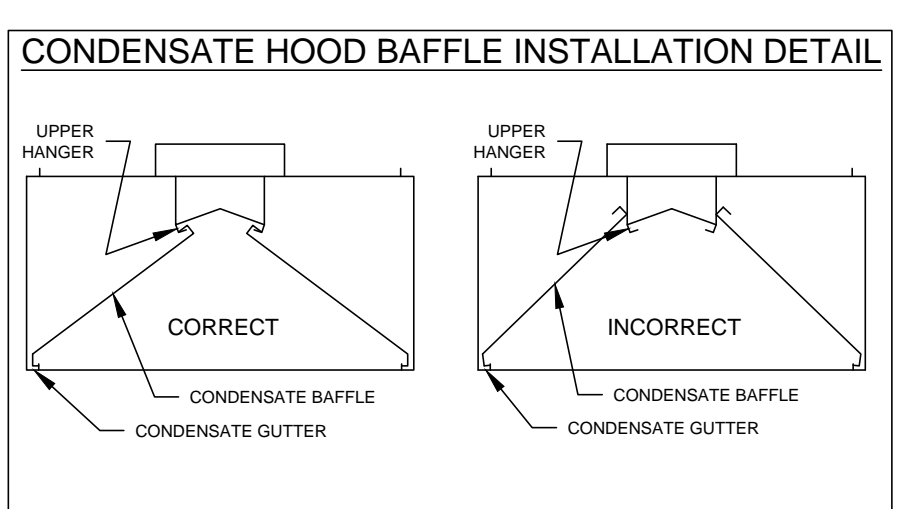
HOOD SECTION # COLLAR #										EXHAUST PLENUM COLLARS									
DISTANCE TO END (IN.)		WIDTH (IN.)	LENGTH (IN.)	DIAMETER (IN.)	VOLUME (CFM)	S.P. (IN. WC)	VELOCITY (FT/MIN)	HOOD SECTION # COLLAR #		DISTANCE TO END (IN.)		WIDTH (IN.)	LENGTH (IN.)	DIAMETER (IN.)	VOLUME (CFM)	S.P. (IN. WC)	VELOCITY (FT/MIN)		
1 / 1		41.5	12	12	NA	1500	0.518	1500	1 / 1		41.5	12	12	NA	1500	0.518	1500		
TOTAL EXHAUST CFM - SECTION 1										TOTAL EXHAUST CFM - SECTION 1									
1500 = 217 CFM / FT										1500 = 217 CFM / FT									

430 STAINLESS STEEL WHERE EXPOSED
UL 710 LISTED W/OUT EXHAUST FIRE DAMPER - UL #R25625
BACK NON-INTEGRAL AIR SPACE - 3 IN WIDE
26 IN HIGH CEILING ENCLOSURES - FRONT LEFT RIGHT - FIELD INSTALLED
FACTORY MOUNTED EXHAUST COLLAR(S)
THIS HOOD IS PART OF A TEMPERATURE INTERLOCK CONTROL SYSTEM
INCLUDES PERFORMANCE ENHANCING LIP (PEL) TECHNOLOGY
STANDING SEAM CONSTRUCTION FOR SUPERIOR STRENGTH
EMBOSSED STAINLESS STEEL FINISH FOR HIGH CORROSION RESISTANCE

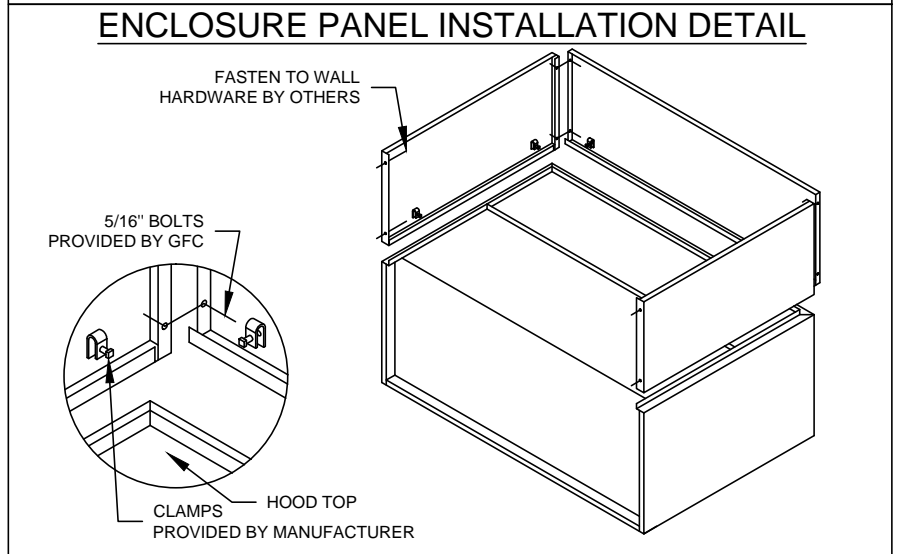
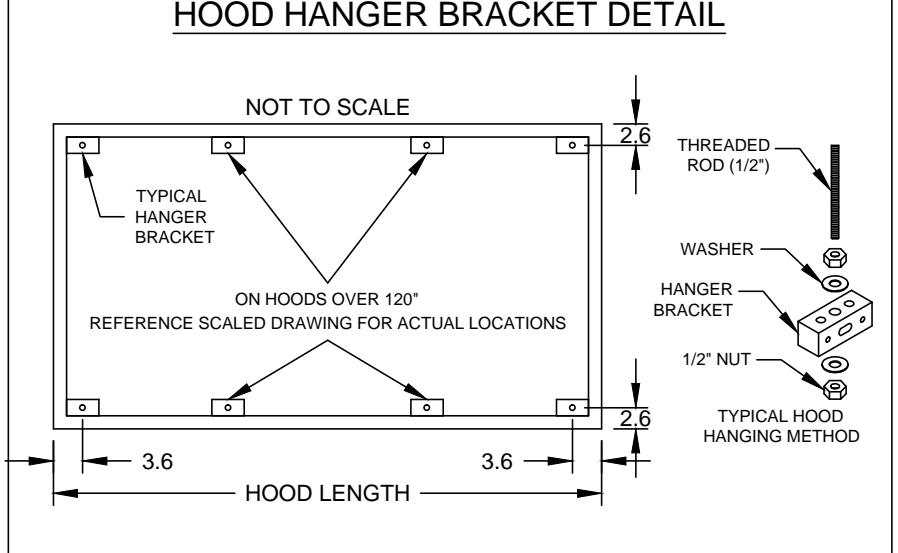
SDR #K1100559 - NEW PITCO 4L FRYER FLUE BYPASS SYSTEM				
MANUFACTURER / MODEL	FLOW POINTS	SUPPLY LINE	DETECTION	MOUNTING
ANSUL R-102 WET CHEMICAL	14 UTILIZED 16 AVAILABLE	CONTINUOUS	FUSIBLE LINK	RIGHT END REMOTE MOUNTED

FULL INSTALLATION (INCLUDES PRE-PIPED HOOD(S) WITH DETECTION AND FACTORY COORDINATED INSTALL)
CHROME SLEEVES FOR FACTORY PROVIDED APPLIANCES DROPS - INCLUDED
SUPPRESSION AGENT - INCLUDED - 3 GAL. - (1) 3 TANK(S) (1) 1.5 TANK(S)
GAS VALVE - INCLUDED - MECHANICAL SHUTOFF VALVE, 2 IN. (ANSUL) - PART# 55610
REMOTE PULL STATION - STANDARD - INSTALLATION AT SINGLE POINT OF EGRESS
FIRE SYSTEM PERMIT - REQUIRED - FEE INCLUDED

FIRE SYSTEM PROTECTED HOOD(S) (UL-300) (MARK NAME / SECTION#)				
FRYER HOOD SECTION 1 - (LENGTH 83.0 IN.) - LOW PROXIMITY HOOD				



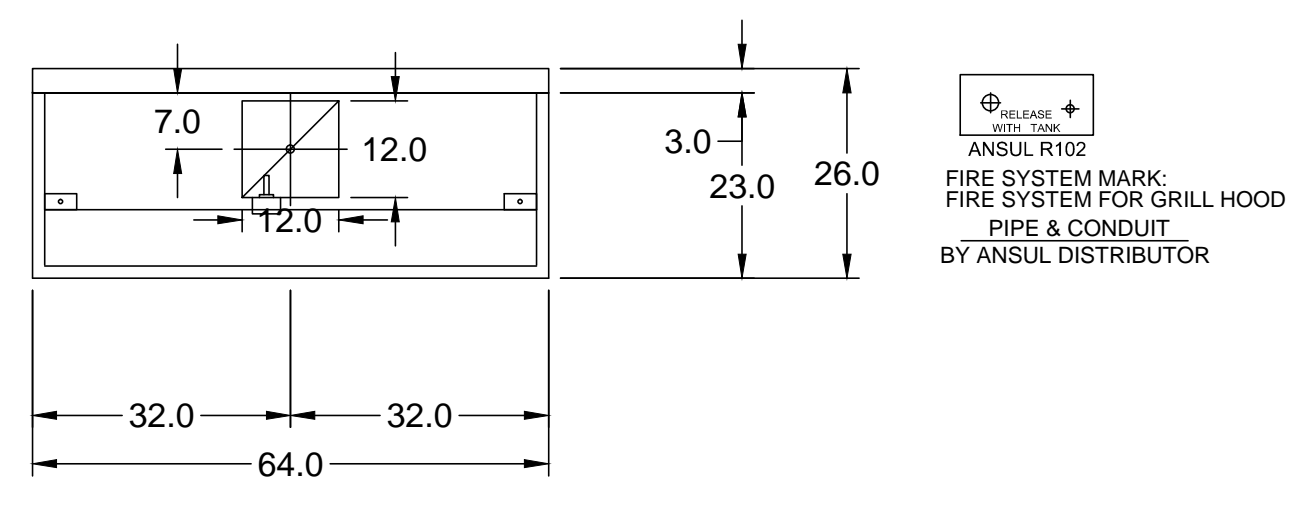
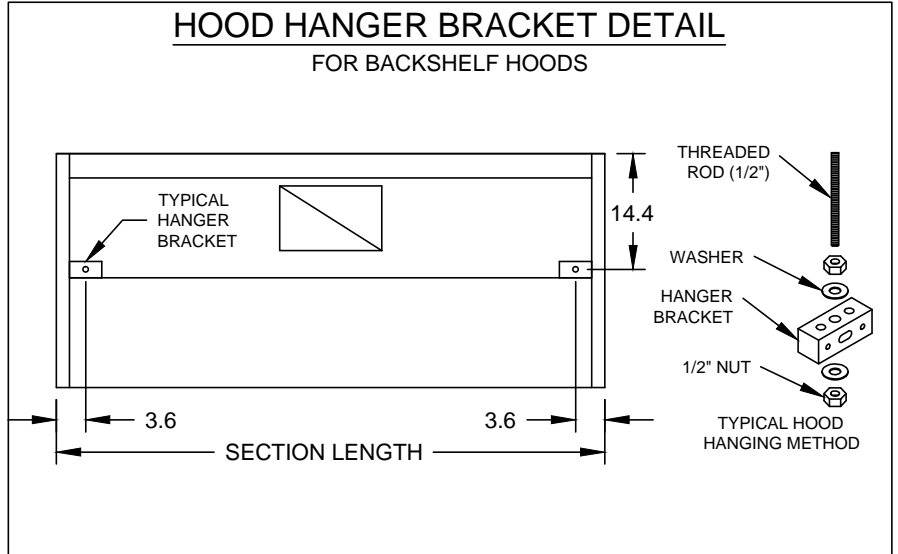
NOTES:
1. THE CONDENSATE BAFFLES MUST HOOK ONTO THE UPPER HANGER AND REST IN THE CONDENSATE GUTTER FOR PROPER OPERATION.



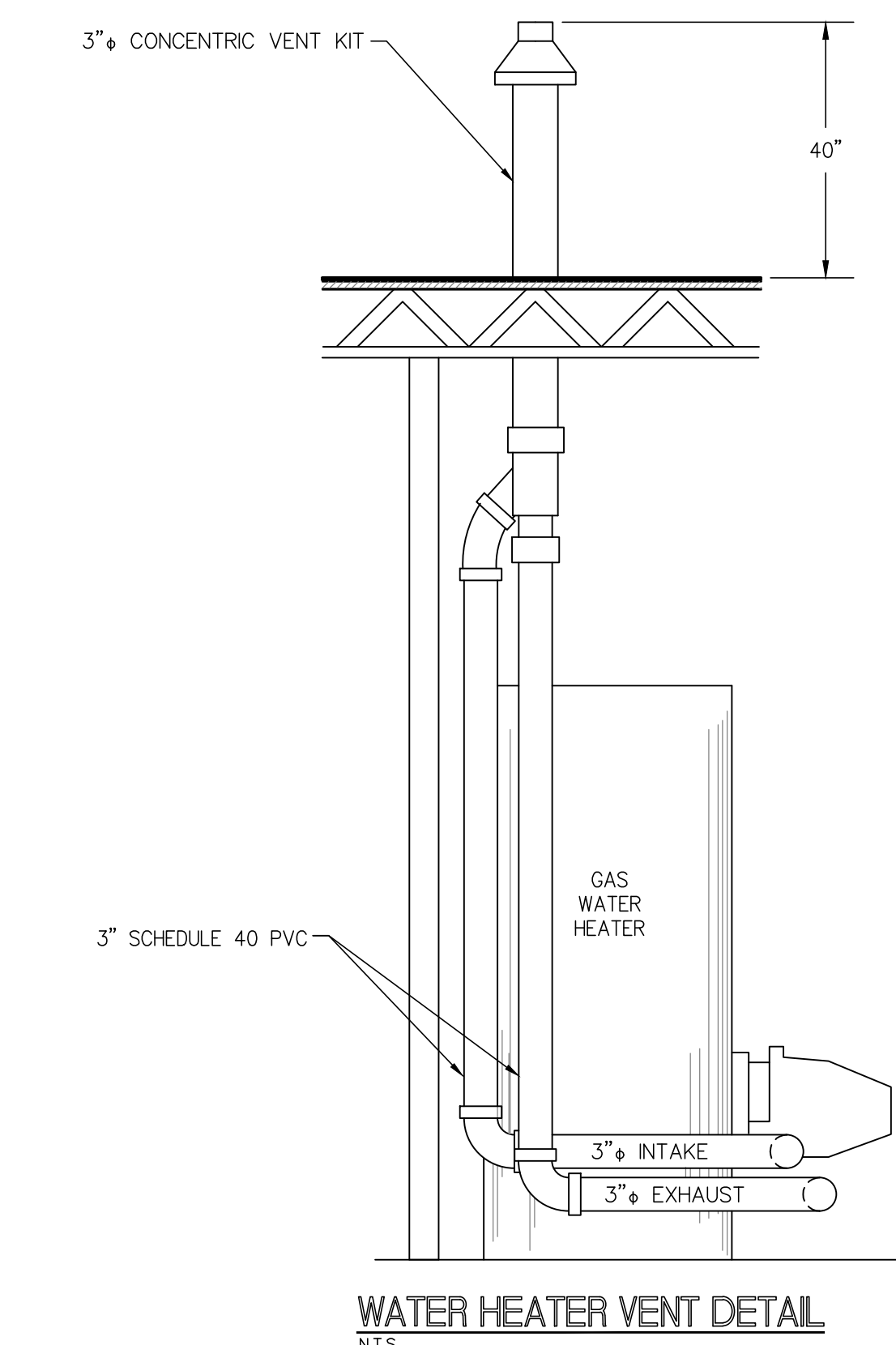
HOOD HANGING HEIGHT FOR FIRE SYSTEMS
VERIFICATION OF HOOD HANGING HEIGHT ABOVE FINISHED FLOOR (A.F.F.) IS REQUIRED FOR CORRECT PLACEMENT OF FIRE SYSTEM NOZZLES.

RECOMMENDED HANGING HEIGHT = 72" FROM FINISHED FLOOR TO LOWER FRONT EDGE OF HOOD.

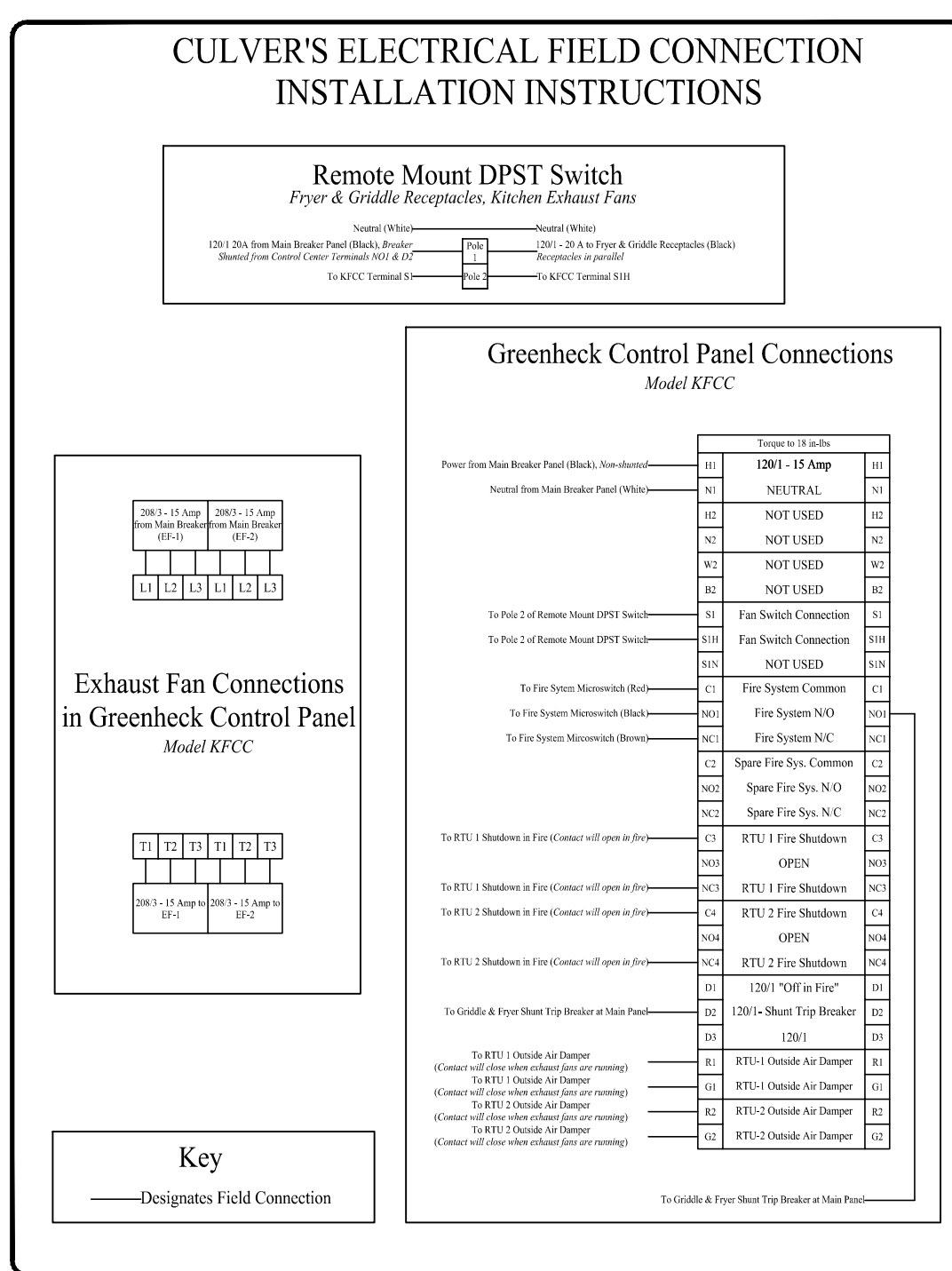
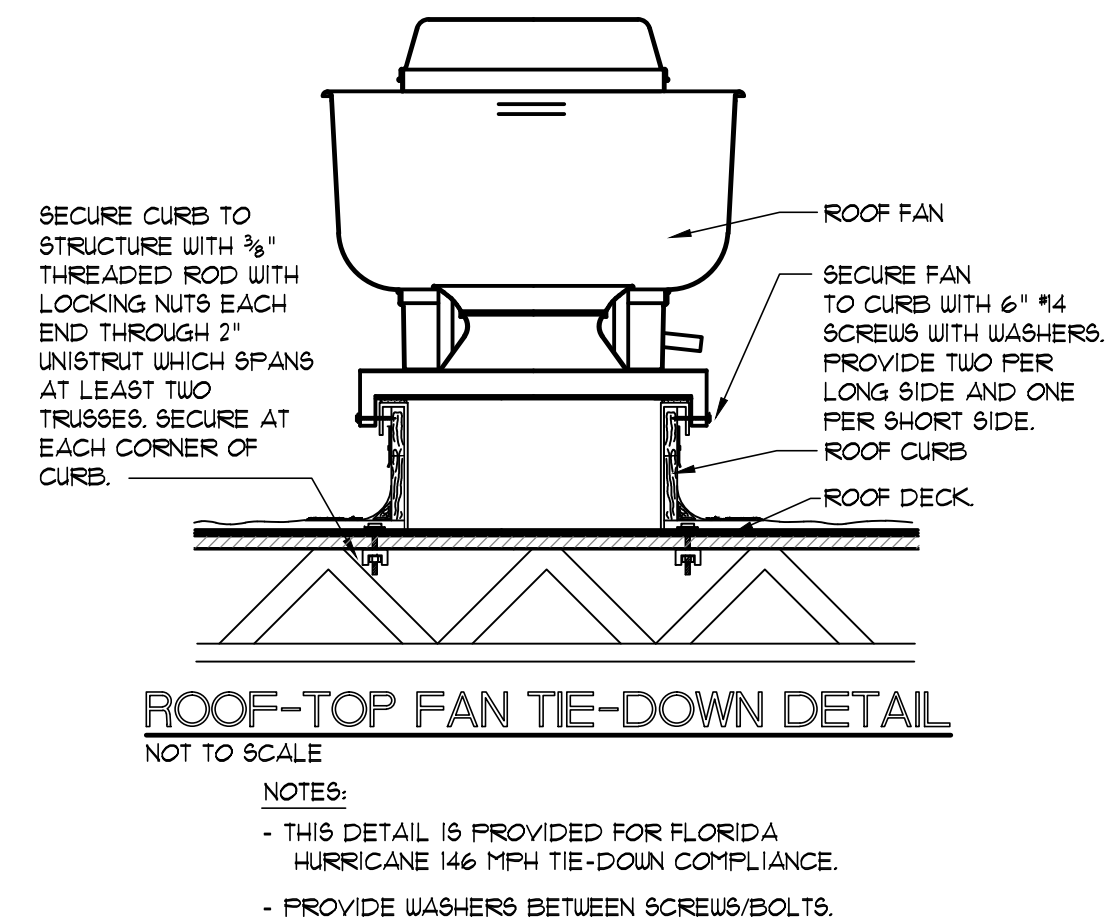
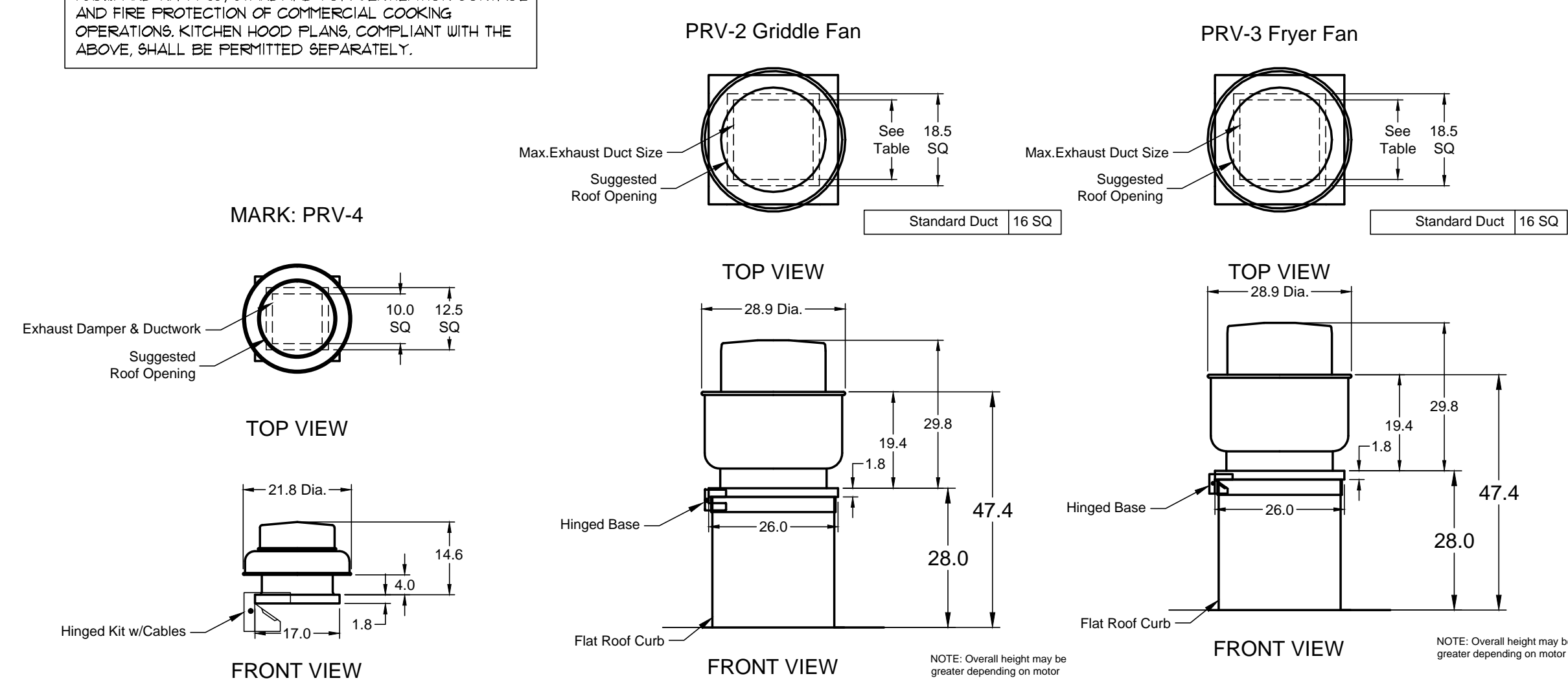
OTHER HANGING HEIGHT = _____" FROM FINISHED FLOOR TO LOWER EDGE OF HOOD.



REVISIONS	BY



NOTE:
THE DESIGN, INSTALLATION, OPERATION, INSPECTION, AND MAINTENANCE OF ALL PUBLIC AND PRIVATE COMMERCIAL COOKING EQUIPMENT SHALL COMPLY WITH CHAPTER FPFC 15.011 AND NFPA 96, STANDARD FOR VENTILATION CONTROL AND FIRE PROTECTION OF COMMERCIAL COOKING OPERATIONS. KITCHEN HOOD PLANS, COMPLIANT WITH THE ABOVE, SHALL BE PERMITTED SEPARATELY.



Culver's Installation and Operation Guide
Greenheck Control Panel and Exhaust Fan & Receptacle Switch

Mechanical Scope of work

- Mechanical contractor to mount Greenheck Control Panel (Model KFCC, 12"W x 18"H x 6"W) in specified location above drop ceiling. PROVIDE DIFFERENT PANEL MODEL #FCC CANNOT ACCOMMODATE RTU-0A Mechanical Contractor to start up fans and electrical outlet by turning fan switch to the "ON" position. Verify power to fryer & griddle receptacles and exhaust fans.
- Mechanical Contractor to start up fans and electrical outlet by turning fan switch to the "ON" position. Verify power to fryer & griddle receptacles and exhaust fans.

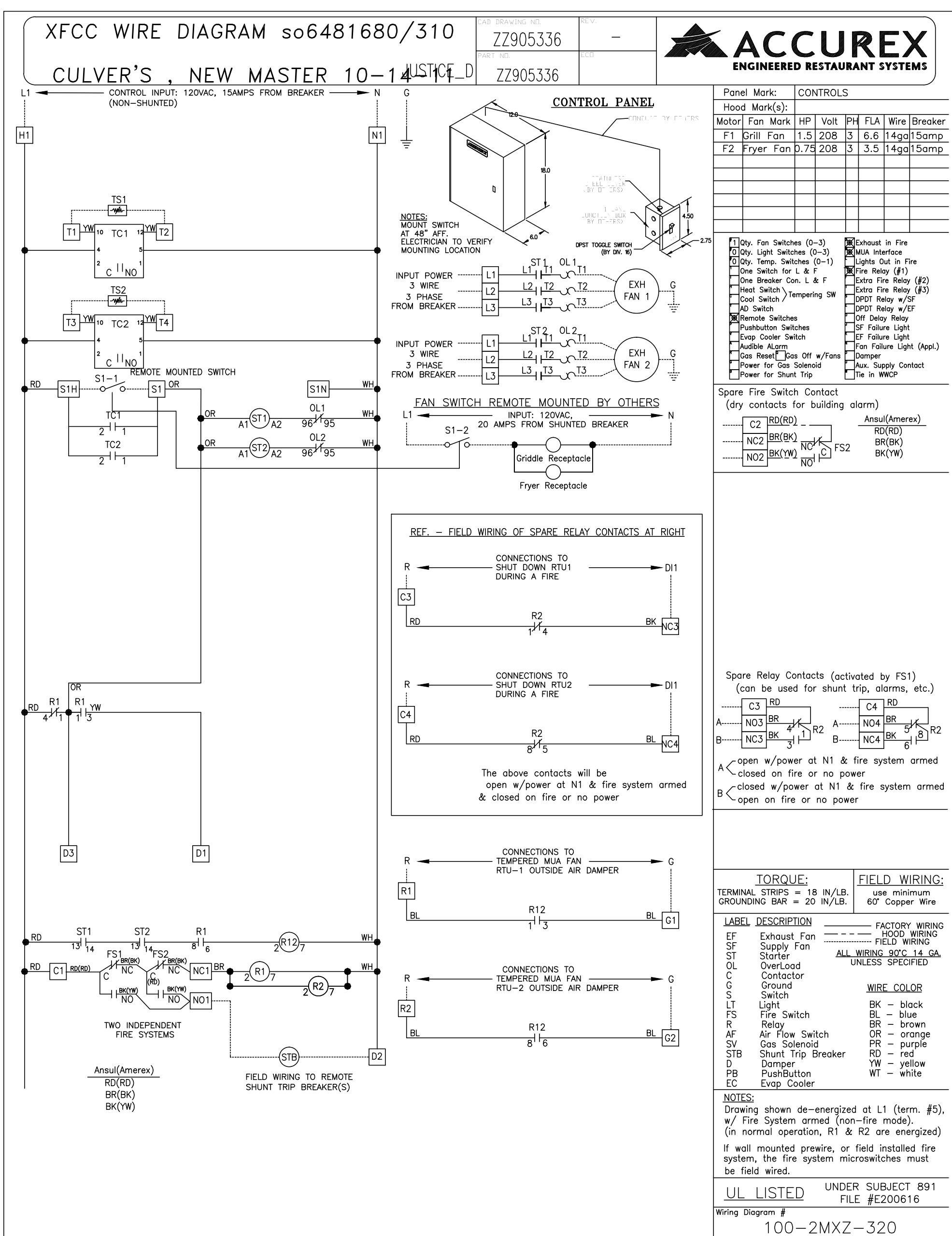
Electrical Scope of Work

- Electrical contractor shall provide one 120 Volt - 20 Amp circuit with shunt trip breaker (20V trip) for fryer and griddle receptacles. This circuit will have two receptacles, one for the fryer and one for the griddle. Circuit will be controlled using a DPST (Double Pole Single Throw) switch for exhaust fan and electrical outlet control. Switch to be mounted on wall where specified on drawings.
- Electrical Contractor to provide and install DPST switch on wall. Wire one pole of switch to the receptacle outlet circuit. Wire other pole of DPST switch to terminals SH and ST in Greenheck Control Panel (Model KFCC) to complete fan control circuit.
- Electrical Contractor to run a separate 120 Volt - 15A circuit to terminals HI and NI to power the panel controls.
- Two 200/60/3 - 15A circuits must be run from the main breaker panel to each motor starter in the GREENHECK PANEL (L1, L2, & L3). Run power from terminals T1, T2, & T3 on the bottom of motor starter in the panel to kitchen exhaust fans.
- Electrical Contractor to make connections from terminals NO1 and D2 (200 Volt normally open contact) to shunt-trip breaker for fryer and griddle receptacles.
- Electrical Contractor to wire fire system microswitch in fire system cabinet to terminals CI, NC1, and NO1 as indicated on Greenheck drawing.
- Electrical Contractor to wire RTU 1 & 2 damper control to terminals R1 and G1 and R2 and G2 as indicated on Greenheck drawing. PROVIDE SIMILAR CONTACTS FOR RTU-0A.
- Electrical Contractor to wire RTU 1 & 2 RTU-0A control (10 amp max) circuits to panel dry contacts C3 and NC3 for RTU 1 and C4 and NC4 for RTU 2 to shutdown units in a fire. PROVIDE CONTACTS FOR RTU-0A.

Sequence of Operation

- Turn fan switch on Fans and fryer and griddle receptacles will be energized.
- Turn on RTU 1 & RTU 2, RTU-0A.
- Before fire system agent tanks are installed, manually trigger fire system while fan switch is on. This should accomplish the following:
Shunt trip breaker will trip causing a loss of power to fryer and griddle receptacles.
Gas valve will close shutting gas off to the fryer and griddle.
Exhaust fans will remain on.
RTU-1, RTU-2, & RTU-0A will shut down.

- Put fire system in the "cooked" position and reset shunt trip breaker. Power will be restored to equipment and RTUs.
- Turn fan switch to "OFF" position. This will shut down power to receptacles and exhaust fans. RTU-0A will shut down and outside air dampers will close. RTUs 1 & 2 will remain operational providing 100% return air only.



EQUIPMENT SCHEDULE

ELECTRICAL CONTROL BOX MARK: CONTROLS

DESCRIPTION / CONTROL PANEL / SWITCHES	EXHAUST FAN QTY	SUPPLY FAN QTY	POWER FREQUENCY
KITCHEN FAN CONTROL CENTER / XFCC SHIP LOOSE / SHIP LOOSE FOR REMOTE MOUNTING	2	0	60 CYCLE

CONTROL PANEL ENCLOSURE - 16 GA 304 STAINLESS STEEL ENCLOSURE (NEMA-1) - DIMENSIONS 12 X 18 X 6
WIRING DIAGRAM #: T100-2 - 20
STARTERS PROVIDED IN CONTROL PANEL - QTY 2
2 POSITION FAN SWITCH - QTY 1
INTEGRATED EXHAUST TEMPERATURE INTERLOCK SYSTEM
FACTORY MOUNTED EXHAUST TEMPERATURE SENSORS - QTY 2
COMPLIES WITH FLORIDA BUILDING CODE - MECHANICAL 2010 SECTION 507.2.1.1
TURN ON EXHAUST IN FIRE
THERMAL OVERLOADS IN CABINET
1 SPEED FANS

SPECIAL DESIGN REQUESTS

ZZ905336
SDR #K0800240 - USE KIT # 852883, WIRING DIAG. # Z2133721A

Direct Drive Centrifugal Roof Exhaust Fan MARK: PRV-4

Qty	Accurex Model	Volume (CFM)	SP (in wg)	FRPM	Operating Power (hp)	Weight (Lb.)	Size (hp)	V/C/P	Enc.	Motor RPM	Windings	FLA
1	XRED-090-D	350	0.6	1532	0.072	27	0.0667	115/60/1	OP	1550	1	NA

OPTIONS AND ACCESSORIES

UL/CUL 705 Listed - "Power Ventilators"
Switch, NEMA-1, Toggle, Junction Box Mounted & Wired
Hinged Curb Cap Kit w/Cables (PN 851018) (Shipped Loose)
Curb Seal (Attached)
Damper, WD-100-PB-10X10, Gravity Operated (Loose)
Solid State Speed Control, Shipped Loose (PN 5WSSC)
CURB GPI-17-G12

EQUIPMENT SCHEDULE

Belt Drive Upblast Centrifugal Roof Exhaust Fan MARK: PRV-2

Qty	Accurex Model	Volume (CFM)	SP (in wg)	FRPM	Operating Power (hp)	Weight (Lb.)	Size (hp)	V/C/P	Enc.	Motor RPM	Windings	FLA
1	XRUB-161XP-15	1500	2.337	2,411	1.29	171	1.5	208/60/3	OP	1725	1	6.6

OPTIONS AND ACCESSORIES

UL/CUL 762 Listed - "Power Ventilators for Rest. Exh. Appliances"
Switch, NEMA-1, Toggle, Shipped with unit
Larger curb cap size - 26" Square
Roof curb-Galv., GPF-26-G28, Under sized 1.5" Total
Hinged Base (Attached)
High Temp Curb Seal Rated for Continuous duty at 2000F (Attached)
Clean-out Port
Grease Trap with Drain Connection (PN 475538)
Heat Baffle (Attached)
Bearings with Grease Fittings, L10 life of 100,000 hrs (L50 avg. life 500,000 hrs)

EQUIPMENT SCHEDULE

Belt Drive Upblast Centrifugal Roof Exhaust Fan MARK: PRV-3

Qty	Accurex Model	Volume (CFM)	SP (in wg)	FRPM	Operating Power (hp)	Weight (Lb.)	Size (hp)	V/C/P	Enc.	Motor RPM	Windings	FLA
1	XRUB-141-7	1500	1	1377	0.5	160	0.75	208/60/3	OP	1725	1	3.5

OPTIONS AND ACCESSORIES

UL/CUL 762 Listed - "Power Ventilators for Rest. Exh. Appliances"
Switch, NEMA-1, Toggle, Shipped with unit
Larger curb cap size - 26" square
Roof curb-Galv., GPF-26-G28, Undersized 1.5" total
Hinged Base (Attached)
Curb Seal (Attached)
Clean-out Port
Grease Trap with Drain Connection (PN 475538)
Heat Baffle (Attached)

EQUIPMENT SCHEDULE

XCR	MARK: EF-1, EF-2	QTY: 1 EA			
MODEL	VOLUME (CFM)	SP (IN. WC)	FAN RPM	WEIGHT (LB)	MOTOR SPECS
SPA-110	100	0.10	700	9	.31 115/60/1

UL/CUL-507 - "ELECTRIC FANS"
MOTOR W/ THERMAL OVERLOADS
INTERLOCK WITH RESTROOM LIGHTS.

OLIVERI ARCHITECTS
A 50109201
Member of the American Institute of Architects
32702 US Hwy. 19 • Palm Harbor, FL 34684
Phone 727.781.7205 • Fax 727.781.6623
www.oliveriarchitects.com

ALL INFORMATION CONTAINED
HEREIN IS THE
SOLE PROPERTY OF
OLIVERI ARCHITECTS
ALL RIGHTS RESERVED.

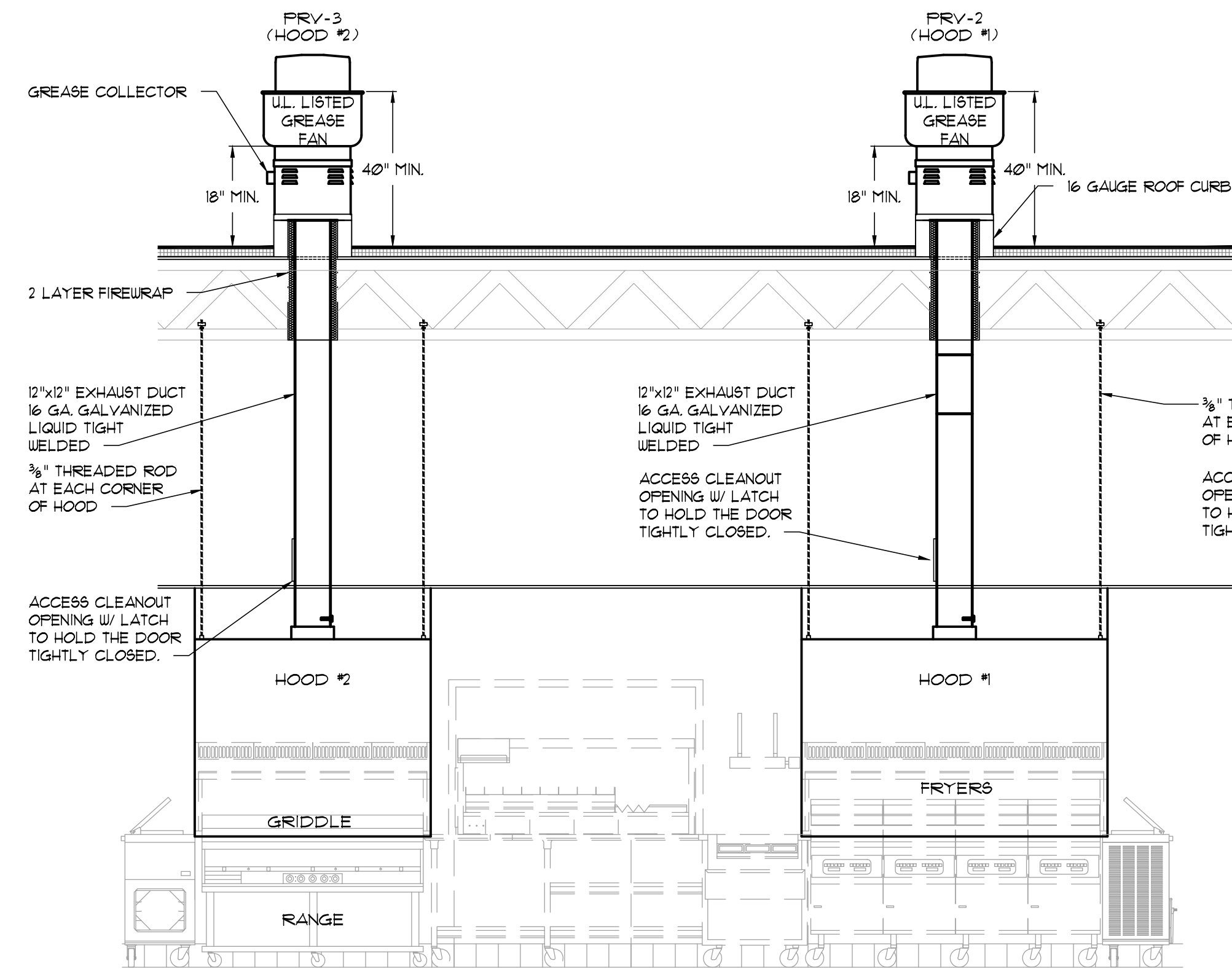
GARLAND PATTERSON, P.E.
FL Lic. No. 14175
AUG. 23, 2021
PROFESSIONAL ENGINEER

MDCI FLORIDA, INC.
FL Lic. No. 9704
3450 N. Dale Mabry Ave., Suite 300
Tampa, FL 33607
© Copyright 2021 • Project No. 21009

New Free Standing
Curtains
CR 466A & Penrose Place
Wildwood, Florida 32163
Sumter County

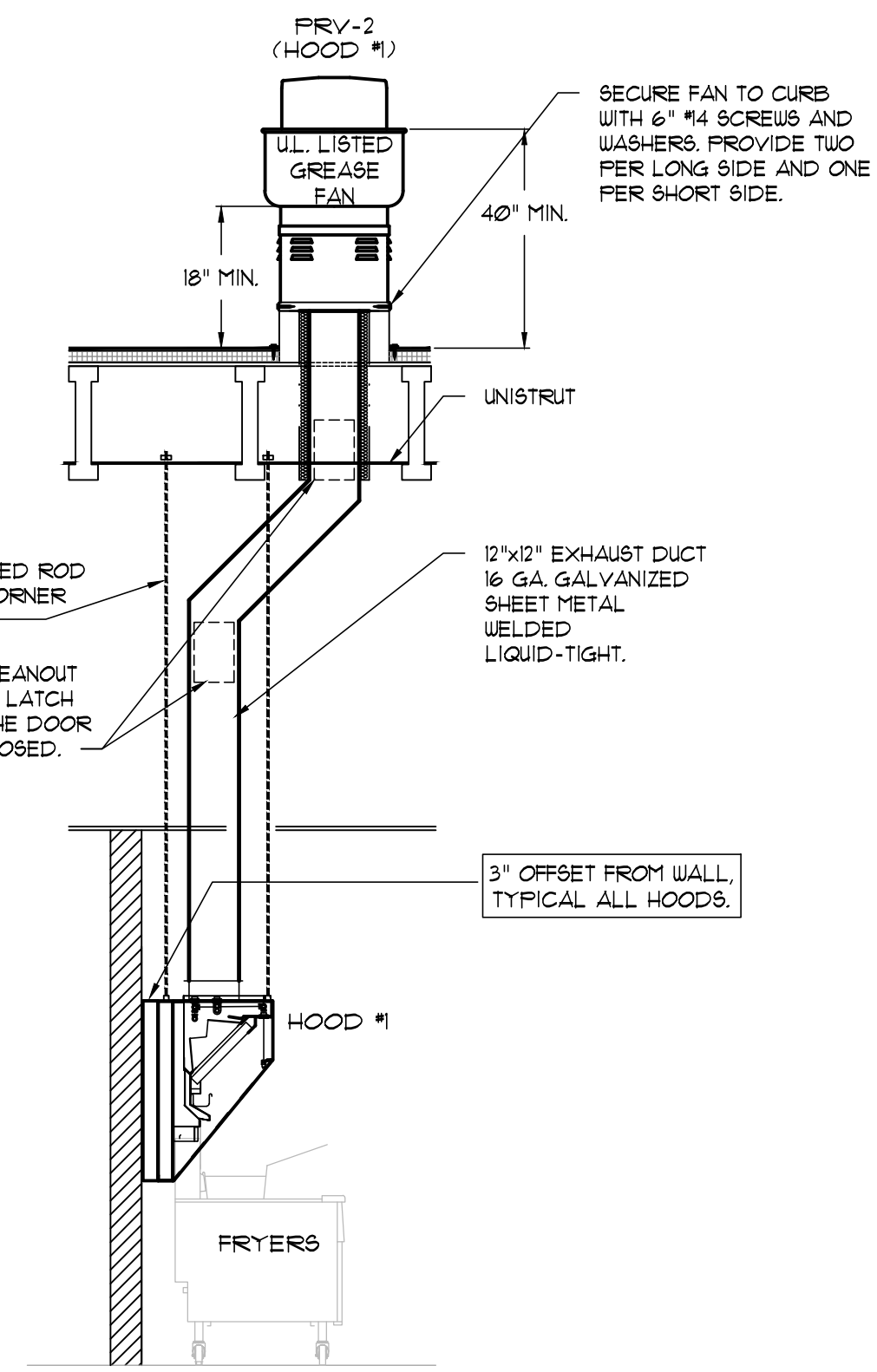
Date: 08. 23. 21
Scale: AS NOTED
Project Mgr: DG
Drawn: BMD
Job: 21-045
Sheet

M4



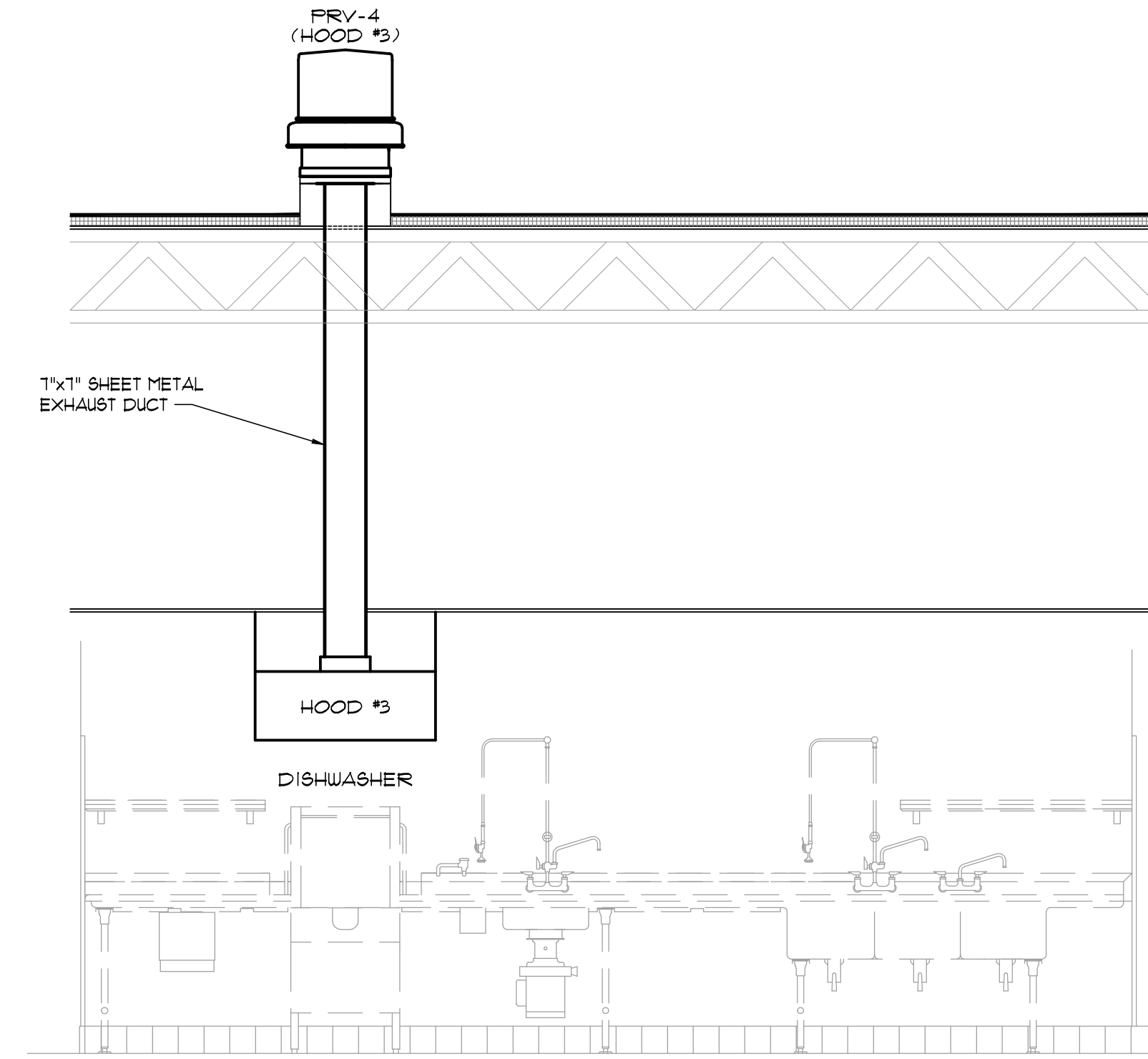
FRONT VIEW

NOT TO SCALE, FOR DIAGRAMMATICAL PURPOSE ONLY



SIDE VIEW

NOT TO SCALE, FOR DIAGRAMMATICAL PURPOSE ONLY



FRONT VIEW

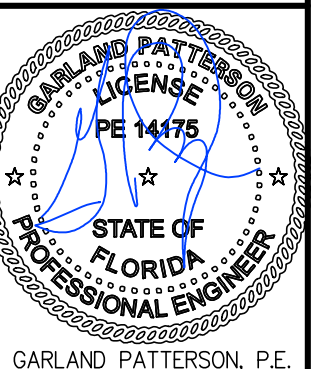
NOT TO SCALE, FOR DIAGRAMMATICAL PURPOSE ONLY

NOTE:
THE DESIGN, INSTALLATION, OPERATION, INSPECTION, AND MAINTENANCE OF ALL PUBLIC AND PRIVATE COMMERCIAL COOKING EQUIPMENT SHALL COMPLY WITH CHAPTER FPFC 15011 AND NFPA 96, STANDARD FOR VENTILATION CONTROL AND FIRE PROTECTION OF COMMERCIAL COOKING OPERATIONS. KITCHEN HOOD PLANS, COMPLIANT WITH THE ABOVE, SHALL BE PERMITTED SEPARATELY.

REVISIONS	BY

OLIVERI ARCHITECTS
A 501(c)(3) CORPORATION
Member of the American Institute of Architects
32727 US Hwy. 19 • Palm Harbor, FL 34684
Phone 727.781.7825 • Fax 727.781.6623
www.oliveriarchitects.com

© 2021 OLIVERI ARCHITECTS
ALL INFORMATION CONTAINED
HEREIN IS THE SOLE PROPERTY OF
OLIVERI ARCHITECTS. ALL RIGHTS
RESERVED.



GARLAND PATTERSON, P.E.
FL LIC. No. 14175
AUG. 23, 2021

MDCI
MDCI FLORIDA, INC.
4000 University Blvd., Suite 300
Tampa, Florida 33605
Engineering Business No. 9204
Professional Seal No. 2005
© Copyright, 2021 • Project No. 2103

New Free Standing
Carlino's
CR 466A & Penrose Place
Wildwood, Florida 32163
Sumter County

Date: 08.23.21
Scale: AS NOTED
Project Mgr: DG
Drawn: BMD
Job: 21-045
Sheet

M5